

MODEL : AB-1351

List No : 1539-04

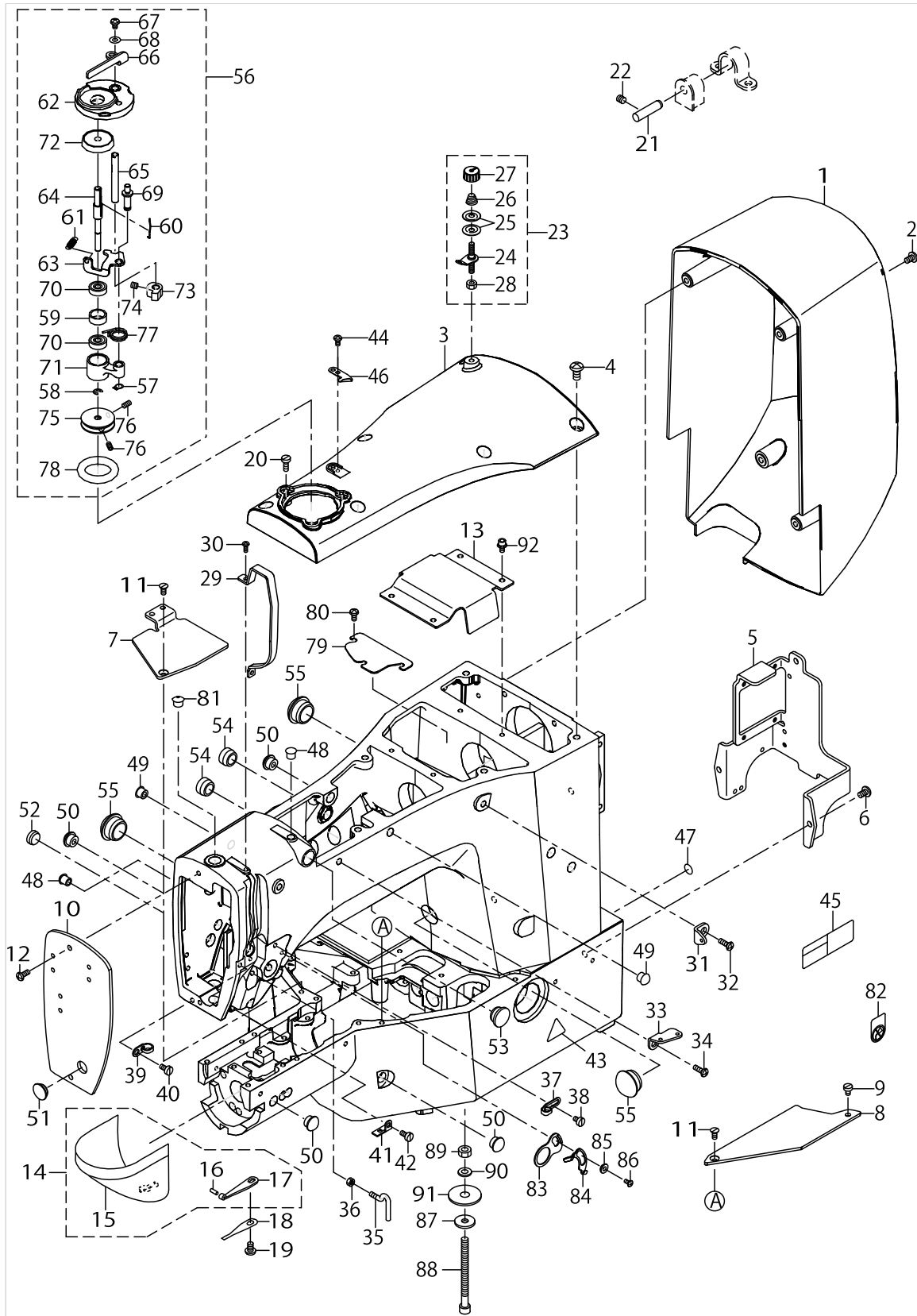
PARTS LIST

Published:05/12/2017

CONTENTS

FRAME & MISCELLANEOUS COVER COMPONENTS (1)	1
FRAME & MISCELLANEOUS COVER COMPONENTS (2)	7
MAIN SHAFT & NEEDLE BAR COMPONENTS	9
PRESSER LIFTER & WIPER COMPONENTS	13
SHUTTLE DRIVER SHAFT COMPONENTS.....	17
THREAD TENSION COMPONENTS	21
THREAD TRIMMER MECHANISM COMPONENTS.....	25
FEED MECHANISM COMPONENTS.....	27
CLOTH FEED COMPONENTS	31
TC CLAMP COMPONENTS	35
SENSOR COMPONENTS	37
THREAD STAND COMPONENTS.....	39
TABLE STAND COMPONENTS	41
CONTROL BOX COMPONENTS	45
WIRING DIAGRAM.....	49
OPERATION PANEL COMPONENTS	55
ACCESSORIES PARTS COMPONENTS	57
MECHANISM & MISCELLANEOUS COVER COMPONENTS.....	59
Y MOVEMENT COMPONENTS.....	63
X MOVEMENT COMPONENTS.....	65
LOOP CLAMP COMPONENTS.....	69
FORK COMPONENTS	73
DRAW OUT STEPS PART DETECTION COMPONENTS.....	77
LOOP LOOSENER COMPONENTS	83
CLAMP FEED COMPONENTS.....	87
SUB TABLE COMPONENTS	91
OPTIONAL PARTS COMPONENTS (1) (LOOP PULL SUPPORT DEVICE).....	93
OPTIONAL PARTS COMPONENTS (2).....	97
LIST FOR INFORMATION OF CHANGE.....	99
HOW TO MAKE USE OF THIS PARTS LIST	100

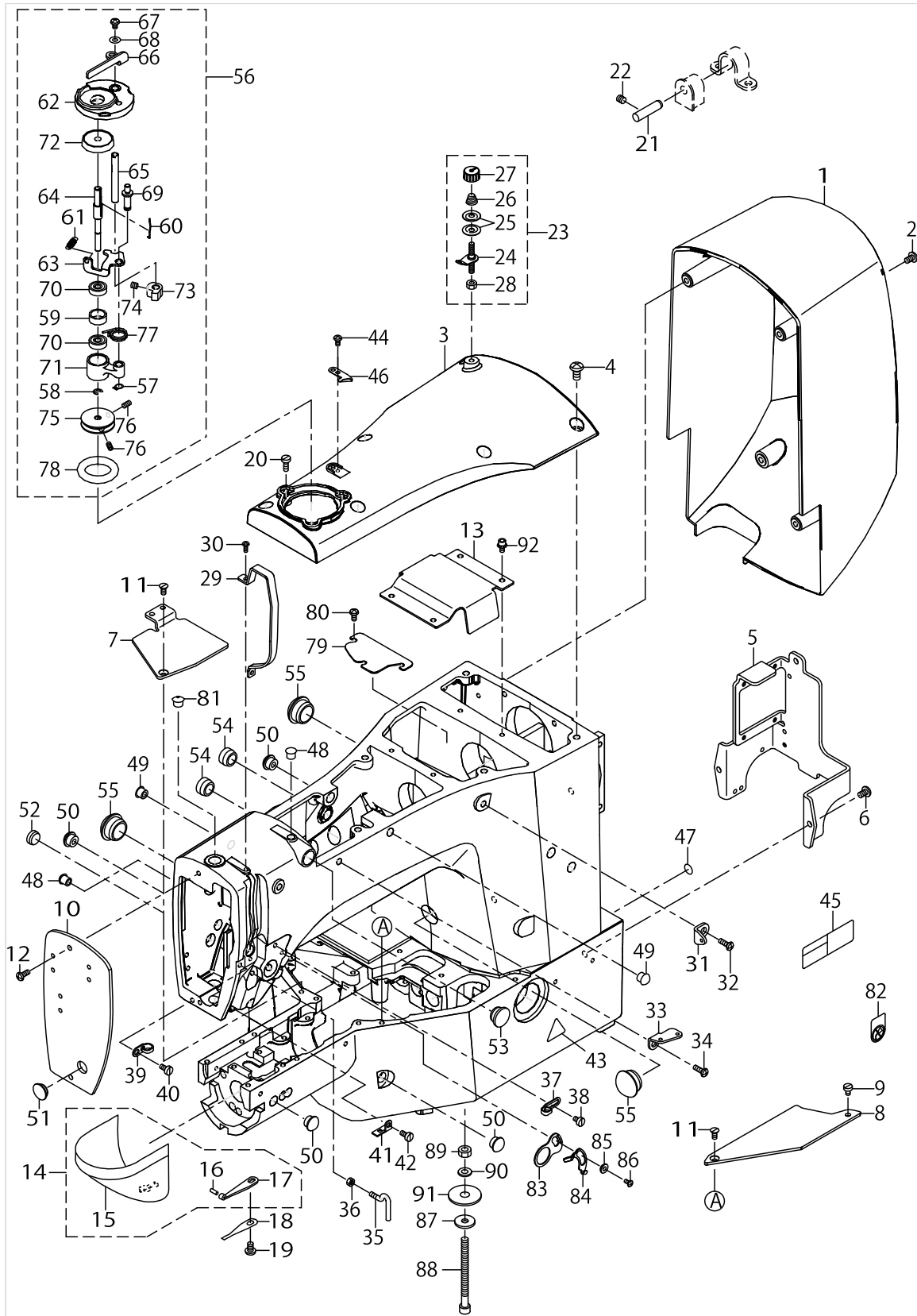
FRAME & MISCELLANEOUS COVER COMPONENTS (1)



FRAME & MISCELLANEOUS COVER COMPONENTS (1)

No.	Supply Code	Parts No.	Replacement	Parts name	Remarks	Choice	Step	Level	Cons	Qty	Rep. QTY
1		40006475		MOTOR COVER						1	
2		SM5040855SN		SCREW						4	
3		40006478		UPSIDE COVER						1	
4		SM4061255SP		SCREW M6 L=12						6	
5		40010404		PROTECTION PLATE						1	
6		SM4050855SP		SCREW						3	
7		40076003		BET COVER LEFT						1	
8		40076004		BET COVER RIGHT						1	
9		SM6040650TP		SCREW M4 L=6						1	
10		40112387		FACE PLATE						1	
11		SM1040650TP		SCREW						2	
12		SM4041055SP		SCREW						2	
13		40010405		CRANK ROD COVER						1	
14		40104918		CYLINDER ARM CAP ASM.						1	
15	R	13816855	40142674	CYLINDER ARM CAP				*		1	1.00
16		13508700		HOOK COVER PRESSER SPRING PIN				*		1	
17		26221101		HOOK COVER PRESSER SPRING A				*		1	
18		26221200		HOOK COVER PRESSER SPRING B						1	
19		SM5040855SN		SCREW						1	
20		SM6041150TP		SCREW M4 L=11						3	
21		40009290		HINGE STUD						2	
22		SM8060612TP		SCREW M6 L=6						4	
23		14113468		BOBBIN THREAD TENSION ASM.						1	
24		14113450		BOBBIN THREAD TENSION ROD ASM.				*		1	
25	R	B3126012000	22921506	THREAD TENSION DISK				*		2	1.00
26		D7133555B00		CONNECTING ROD SPRING				*		1	
27		11072402		THREAD TENSION NUT				*		1	
28		NS6110310SP		NUT 11/64-40				*		1	
29		26211607		BALANCE COVER						1	
30		SM4030855SN		SCREW M3 L=8.0						2	
31		40010414		THREAD GUIDE NO.1						1	
32		SM4061255SP		SCREW M6 L=12						1	
33		26211904		THREAD GUIDE PLATE						1	
34		SM4061255SP		SCREW M6 L=12						1	
35		40010571		L SHAPED THREAD GUIDE A						1	
36		NM6040000SN		NUT M4						1	
37		22920508		ARM THREAD GUIDE A						1	
38		SM6040650TP		SCREW M4 L=6						1	
39		13705108		TAKE-UP THREAD GUIDE B						1	
40		SM6040860TP		SCREW M4 L=8						1	
41		B1129210000		FRAME THREAD GUIDE(B)						1	
42		SM6040860TP		SCREW M4 L=8						1	
43		CM300200002		CAUTION LABEL(25)						1	
44		SM4030601SN		SCREW M3X6						1	
45		40102261		SAFETY LABEL S						1	

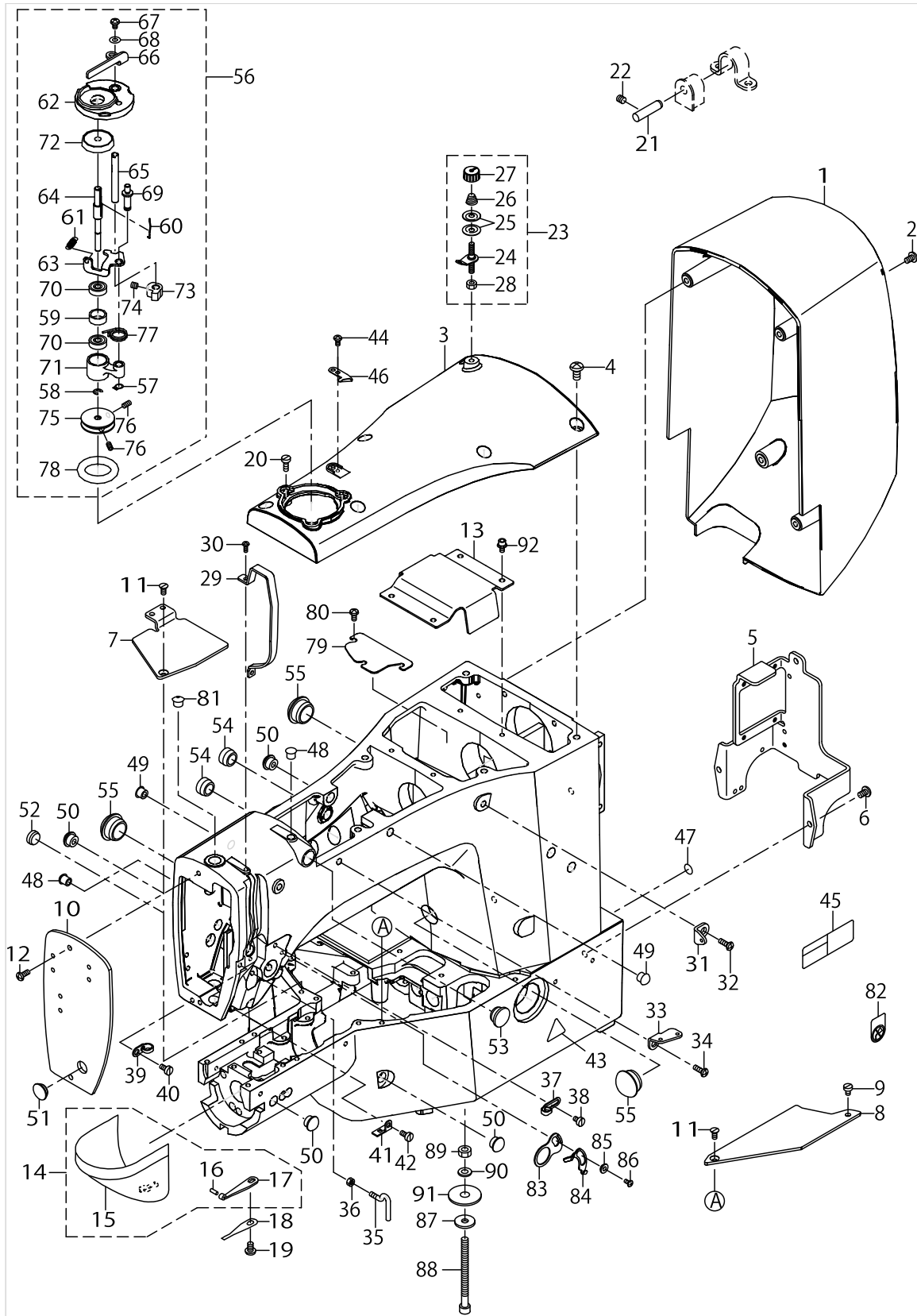
FRAME & MISCELLANEOUS COVER COMPONENTS (1)



FRAME & MISCELLANEOUS COVER COMPONENTS (1)

No.	Supply Code	Parts No.	Replacement	Parts name	Remarks	Choice	Step	Level	Cons	Qty	Rep. QTY
46		10502300		THREAD CUTTER						1	
47		22901805		GROUND MARK						1	
48		TA0750704R0		RUBBER PLUG						2	
49		TA0850604R0		RUBBER PLUG						2	
50		TA1050504R0		RUBBER PLUG						4	
51		TA1250406R0		RUBBER PLUG D=12.5 L=4						1	
52		TA1270502R0		RUBBER PLUG						1	
53		TA1470704R0		RUBBER PLUG						1	
54		TA1550902R0		PLUG						2	
55		TA2100904R0		RUBBER PLUG						3	
56		26260000		BOBBINWINDERUNIT						1	
57		RC0560711KP		RETAINING RING				*		1	
58		RE0400000K0		E-RING 4				*		1	
59	R	26260802	26260000	BTW BEARING SPACER				*		1	1.00
60		26261602		BOBBIN SPRING				*	☆	1	
61		26261701		BTW SPRING				*		1	
62	R	26260109	26260000	BTW BASE				*		1	1.00
63		26260208		BTW CAM PLATE				*		1	
64		26260901		BTW SHAFT				*		1	
65		26261008		BTW LEVER SHAFT				*		1	
66		26261107		BTW LEVER				*		1	
67		SM5040655SN		SCREW				*		1	
68		WP0450826SC		WASHER 4.5X10X0.8				*		1	
69		26260307		BTW BASE SHAFT				*		1	
70	R	26261305	26260000	BTW BEARING				*		2	1.00
71		26260406		BTW SHAFT BASE				*		1	
72		26261206		BTW SPACER				*		1	
73		26260505		BTW CAM LEVER				*		1	
74		SM8050502TP		SCREW M5 L=5				*		1	
75		26260604		BTW WHEEL				*		1	
76		SM8040802TP		SCREW M4X8				*		2	
77		26260703		BTW TORSION SPRING				*		1	
78		26261503		BTW WHEEL RUBBER				*	☆	1	
79		40011928		CRANK ROD UNDER COVER						1	
80		SM5040855SN		SCREW						2	
81		22901409		NEEDLE BAR UPPER BUSH CAP						1	
82		CM100100001		OIL INJECTION PROHIBITION LABEL						1	
83		40028834		GUIDE PLATE						1	
84		40090646		THB SENSOR CABLE ASSY						1	
85		40028835		BUSHING						1	
86		SM0030601SC		SCREW M3X0.5 L=6						1	
87		WP0612056SD		WASHER 6.1X18.5X2						1	
88		SM6067552TP		HEXAGONAL-HOLE BOLT M6 L=75						1	
89		NM6060001SC		NUT M6						1	
90		WS0610002KN		SPRING WASHER 6.1X12.2X1.5						1	
91		WP0852086SC		WASHER M8						1	

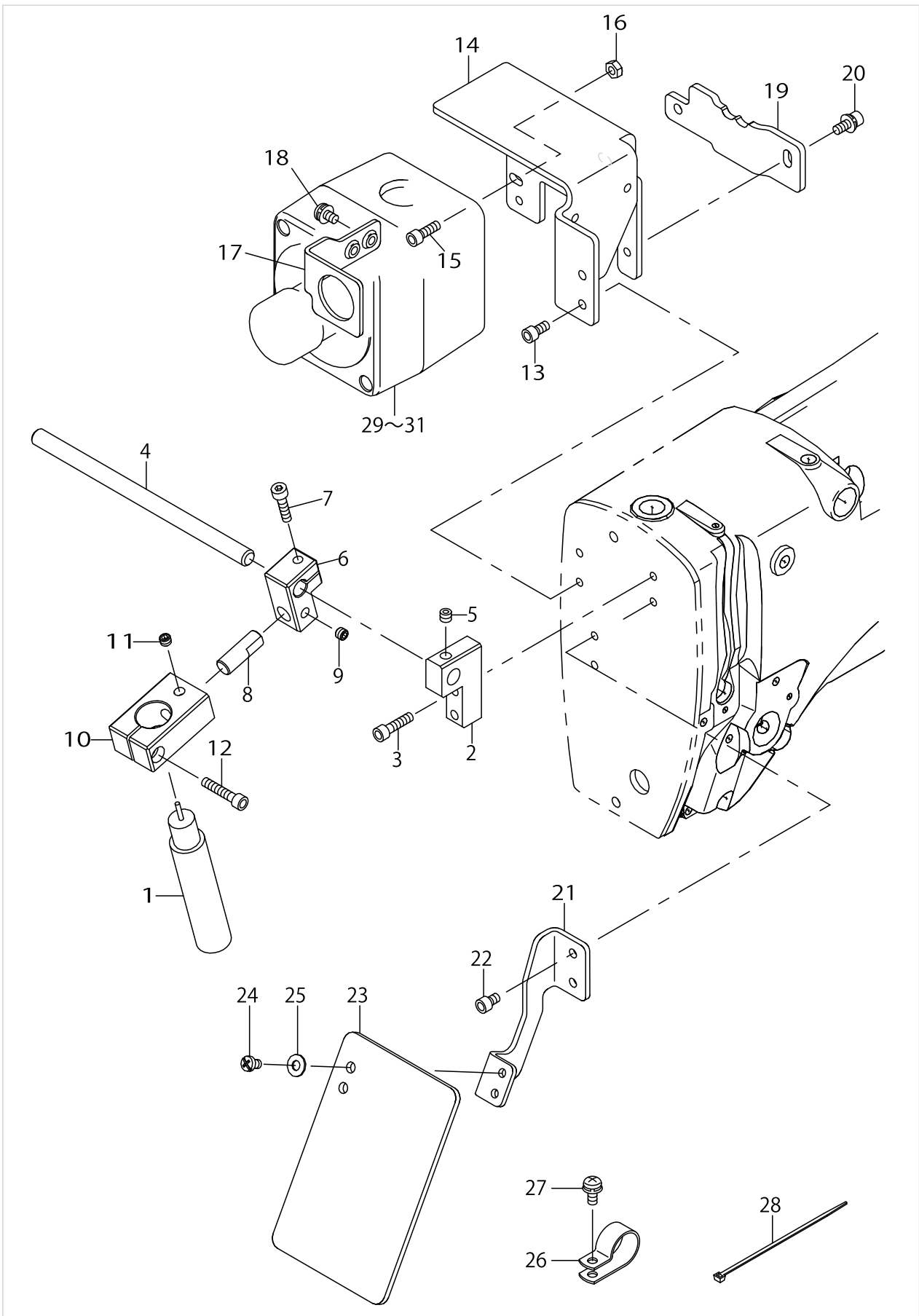
FRAME & MISCELLANEOUS COVER COMPONENTS (1)



FRAME & MISCELLANEOUS COVER COMPONENTS (1)

No.	Supply Code	Parts No.	Replacement	Parts name	Remarks	Choice	Step	Level	Cons	Qty	Rep. QTY
92		SL6040892TN		BOLT						4	

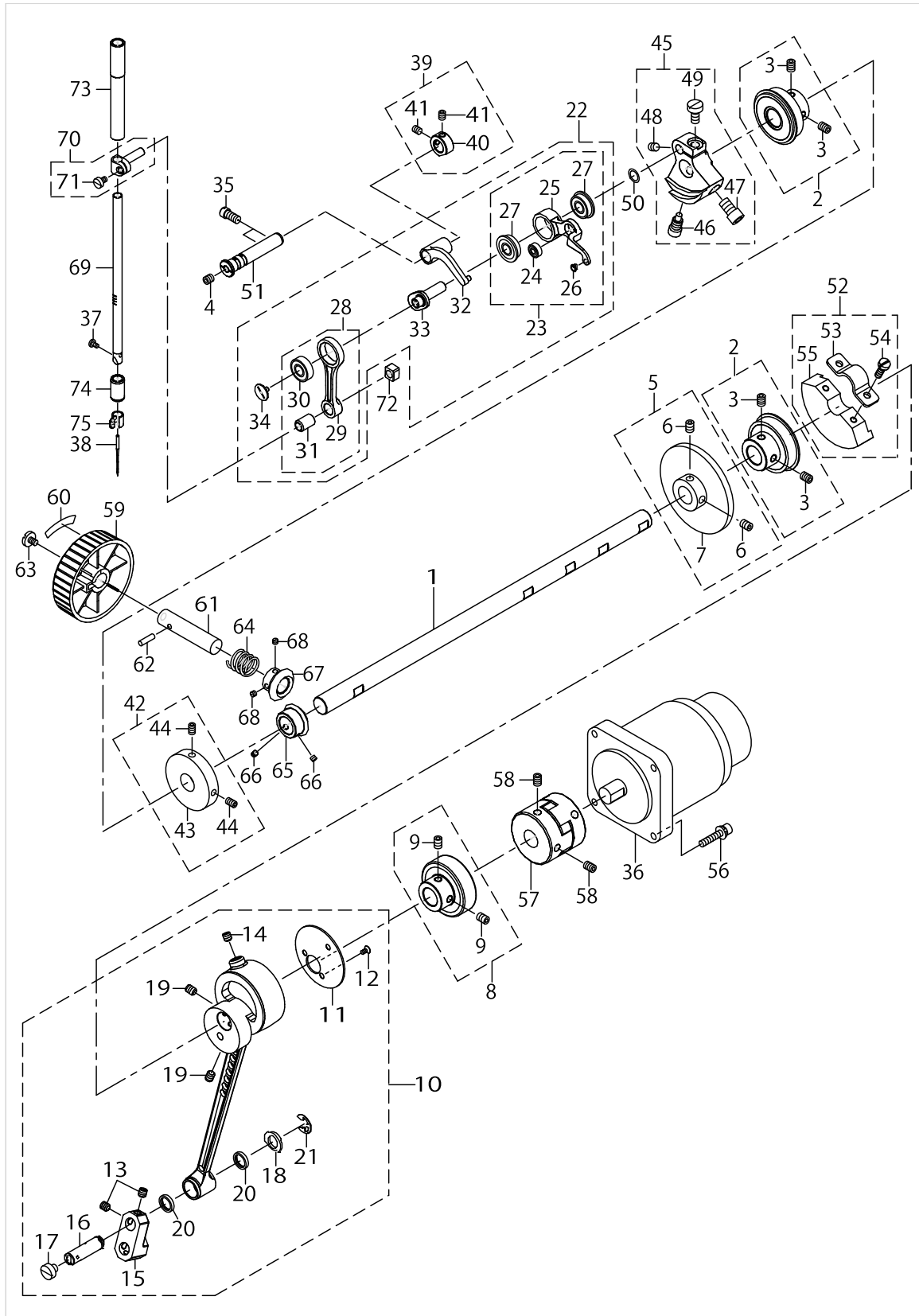
FRAME & MISCELLANEOUS COVER COMPONENTS (2)



FRAME & MISCELLANEOUS COVER COMPONENTS (2)

No.	Supply Code	Parts No.	Replacement	Parts name	Remarks	Choice	Step	Level	Cons	Qty	Rep. QTY
1		40090637		LED MARKING						1	
2		40091171		MARKER FIXED ROD HOLDER						1	
3		SM6041602TP		SCREW M4X0.7 L=16						2	
4		20104402		HANDLE						1	
5		SM8050412TP		SCREW M5 L=4						1	
6		40091172		MARKER FIXED BLOCK						1	
7		SM6041602TP		SCREW M4X0.7 L=16						1	
8		40091173		MARKER FIXED SUB ROD						1	
9		SM8050412TP		SCREW M5 L=4						1	
10		40067813		MARKER BRACKET						1	
11		SM8050412TP		SCREW M5 L=4						1	
12		SM6042002TP		SCREW M4X0.7 L=20						1	
13		SM6040802TP		SCREW M4X0.7 L=8						2	
14		40091334		OFF SW BOX BRACKET						1	
15		SM6041202TP		SCREW M4X0.7 L=12						2	
16		NM6040001SC		NUT M4						2	
17		40091335		OFF SW BOX GND PLATE						1	
18		SL4040891SC		SCREW M4 L=8						2	
19		40091336		OFF SW SUB BRACKET						1	
20		SL6041092TN		SCREW						2	
21		40091930		SAFTETY BRACKET						1	
22		SM6040802TP		SCREW M4X0.7 L=8						2	
23		26037200		SAFETY PLATE						1	
24		SM4040655SP		SCREW M4 L=6						2	
25		WP0450801SD		WASHER 4.5X10X0.8						2	
26		HX00150000H		CABLE CLIP						2	
27		SL4041091SC		SCREW M4 L=10						2	
28		EA9500B0100		CABLE BAND						2	
29		HA006280000		SWITCH						1	
30		HA006280010		SWITCH						1	
31		HA006280020		SWITCH						1	

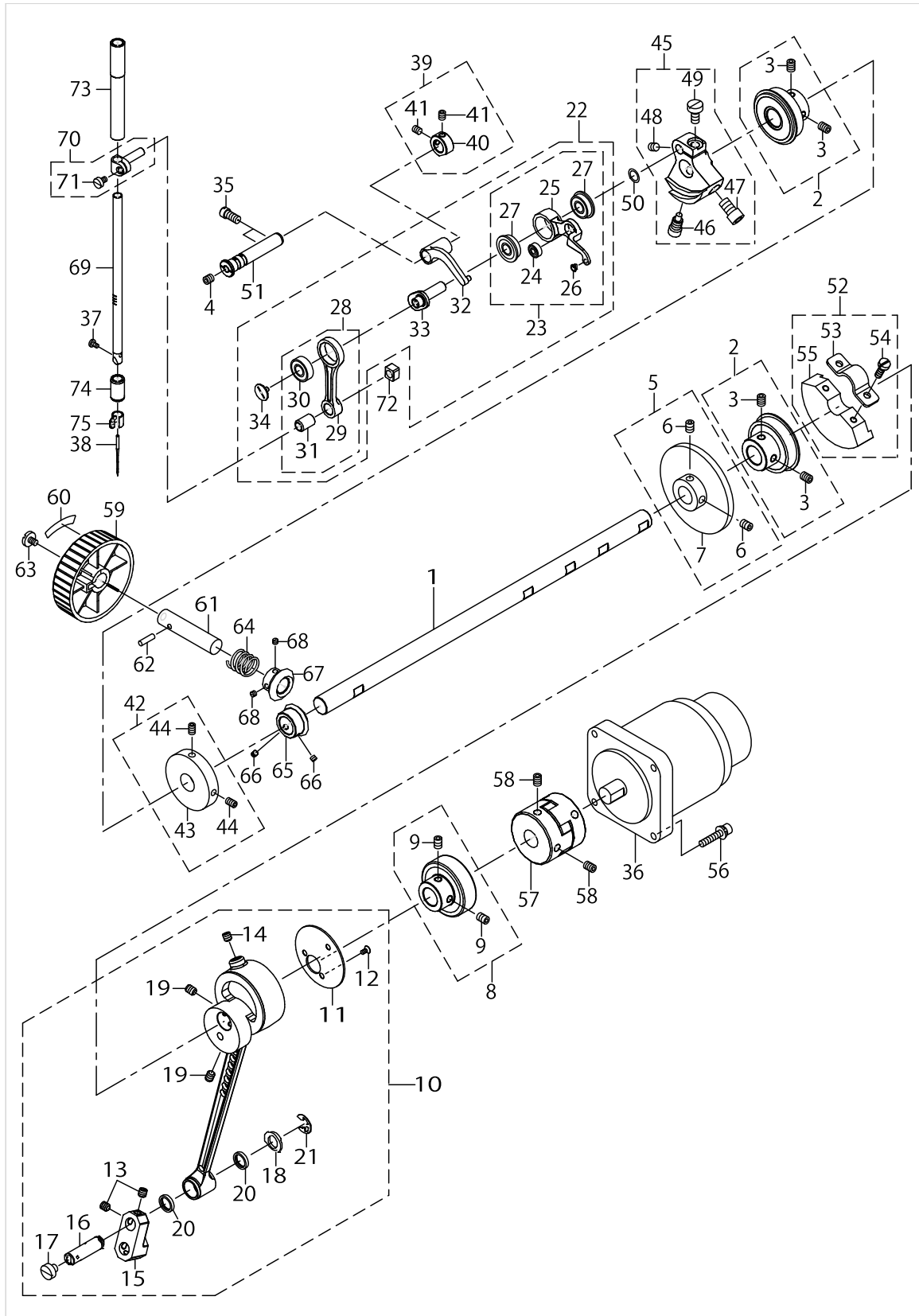
MAIN SHAFT & NEEDLE BAR COMPONENTS



MAIN SHAFT & NEEDLE BAR COMPONENTS

No.	Supply Code	Parts No.	Replacement	Parts name	Remarks	Choice	Step	Level	Cons	Qty	Rep. QTY
1		40010572		MAIN SHAFT						1	
2		40110836		FRONT BEARING BUSH ASM.						2	
3		40010417		BEARING BUSH SCREW				*		2	
4		SM80606A2TP		SCREW M6 L=6						1	
5		40111911		MAIN SHAFT WHEEL ASM.						1	
6		40010417		BEARING BUSH SCREW				*		2	
7		40111425		MAIN SHAFT WHEEL				*		1	
8		40110838		BACK BEARING BUSH ASM.						1	
9		40010417		BEARING BUSH SCREW				*		2	
10		40112990		CRANK ROD ALL ASM.						1	
11		40110825		CRANK ROD SUPPORT PLATE				*		1	
12		SM1030601SP		SCREW M3 L=6				*		3	
13		SM8480652TP		SCREW				*		2	
14		SM8480652TP		SCREW				*		1	
15		40112993		OSCILLATOR ARM				*		1	
16	R	40030939	40089367	OSCILLATOR PIN				*		1	1.00
17		SM6060550TP		SCREW M6 L=4.5				*		1	
18		40026818		WASHER				*		1	
19		SM8060812TP		SCREW M6 L=8				*		2	
20		10108009		OIL SEAL				*		2	
21		RE0800000K0		E-SHAPED SNAP RING (8MM)				*		1	
22		40006923		THREAD TAKE UP B COMPL.						1	
23	R	40006924	40006923	THREAD TAKE UP LEVER B ASM.				*		1	1.00
24		SB104001600		BEARING				*		1	
25	R	40006925	40006923	THREAD TAKE UP LEVER B				*		1	1.00
26		B1908505000		THREAD PASS BUSH				*		1	
27		SB108002200		BEARING				*		2	
28		40006534		NEEDLE BAR CRANK ROD ASM.				*		1	
29	R	40006535	40006534	NEEDLE BAR CRANK ROD				*		1	1.00
30		SB108002300		BEARING				*		1	
31	R	22891006	22890958	NEEDLE BAR CRANK ROD METAL		A	DDL-5700N	*		1	1.00
31	R	22891006	23622251	NEEDLE BAR CRANK ROD METAL		B	DDL-9000,- DP-2100,DLN-9010	*		1	1.00
31	R	22891006	40078106	NEEDLE BAR CRANK ROD METAL		C	AMS- /IP-- 420,AMS-220EN	*		1	1.00
31	R	22891006	40006534	NEEDLE BAR CRANK ROD METAL		D	LK- ,AMS-- /IP-410,A- MS-210E,AB-1351	*		1	1.00
32		40006532		THREAD TAKE UP CRANK				*		1	
33	R	40006926	40006923	NEEDLERODCRANKB				*		1	1.00
34		B1903552000		LEFT SCREW				*		1	
35		40010470		SHUTTLE ASM. SCREW						2	
36		40028015		AC SERVO MOTOR						1	
37		SM7030550TP		SCREW M3 L=4.5					☆	1	
38		MDP170B1400		NEEDLE DPX17 #14					☆	1	
39		40110841		THRUST COLLAR ASM.						1	
40		40110842		THRUST COLLAR				*		1	
41		SM80506A2TP		SCREW M5 L=6				*		2	

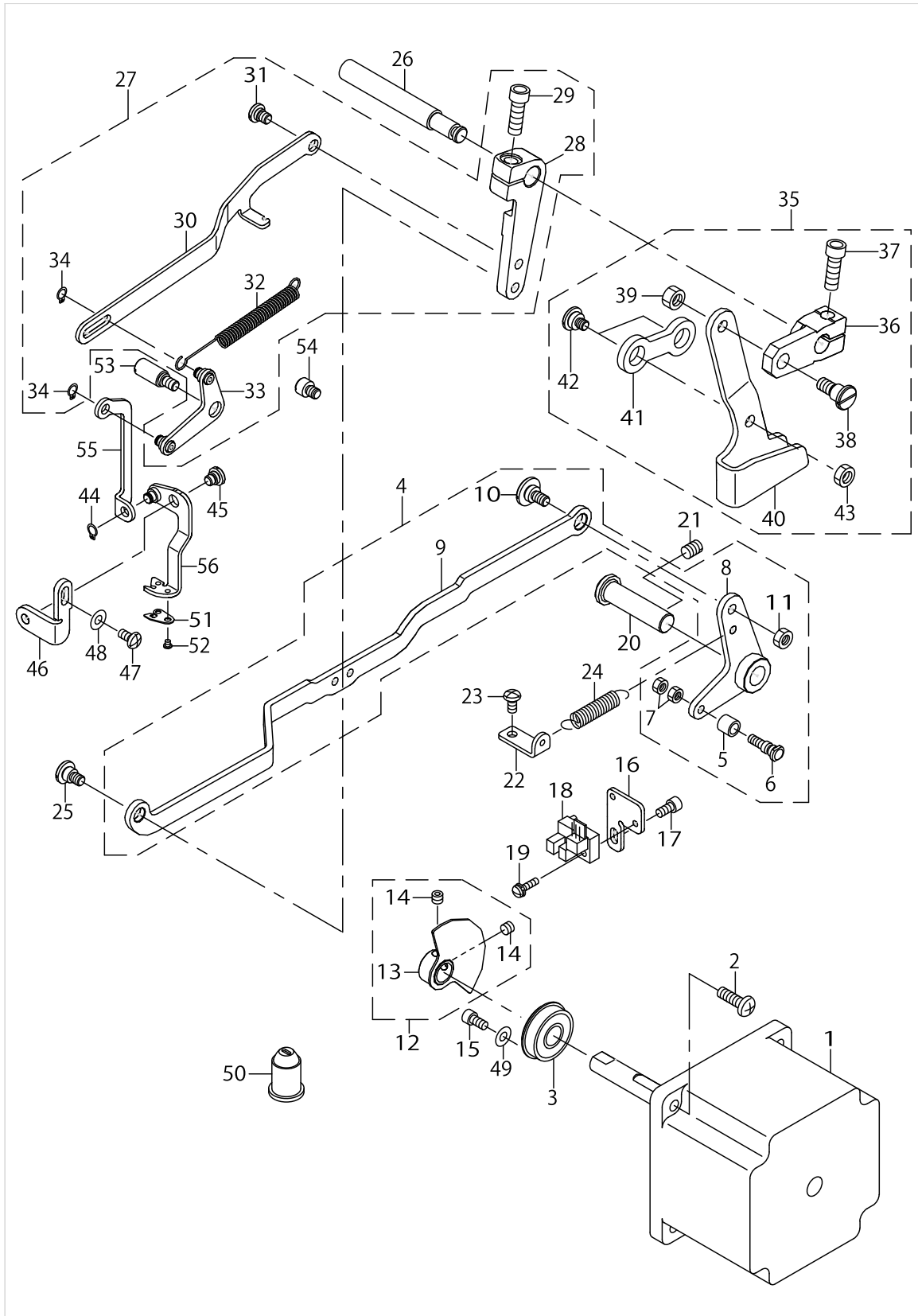
MAIN SHAFT & NEEDLE BAR COMPONENTS



MAIN SHAFT & NEEDLE BAR COMPONENTS

No.	Supply Code	Parts No.	Replacement	Parts name	Remarks	Choice	Step	Level	Cons	Qty	Rep. QTY
42		40010533		BTW DRIVING WHEEL ASM.						1	
43	R	40010534	40010533	BTW DRIVING WHEEL				*		1	1.00
44		40010535		DRIVING WHEEL SCREW				*		2	
45		40010428		COUNTER WEIGHT B ASM.						1	
46		40010424		COUNTER WEIGHT SCREW A				*		1	
47		40010425		COUNTER WEIGHT SCREW B				*		1	
48		40010426		COUNTER WEIGHT SCREW C				*		1	
49		40010427		COUNTER WEIGHT SCREW D				*		1	
50		WP0820516SP		WASHER 11.6X8.2X0.6						1	
51		40112861		THREAD_TAKE_UP_- CRANK_SHAFT_D						1	
52		40110812		CRANK BALANCER ASM.						1	
53		40010439		CRANK BALANCER FIX PLATE				*		1	
54		40010440		CRANK BALANCER FIX PLATE SCREW				*		2	
55		40110813		CRANK BALANCER				*		1	
56		SL6052592TN		BOLT						4	
57	R	23604309	40051473	COUPLING						1	1.00
58		SM8060812TP		SCREW M6 L=8						4	
59		B1212210D00		PULLEY						1	
60		B1144210000		REVOLVING DIRECTION LABEL						1	
61		26500306		HAND PULLEY SHAFT						1	
62		PS0400142KH		SPRING PIN 4X14						1	
63	D	A123050000A		SET-SCREW						1	
64		GAF01007000		SPRING						1	
65		40006515		GEAR A						1	
66		SM8040310SS		SCREW M4 L=3						2	
67		40006516		GEAR B						1	
68		SM8040310SS		SCREW M4 L=3						2	
69		40010573		NEEDLE BAR						1	
70		B14115520A0		NEEDLE BAR CONNECTING ASM.						1	
71		SS6090670TP		SCREW 9/64-40 L=6				*		1	
72		B1414555000		SLIDE BLOCK						1	
73		40010441		NEEDLE ROD METAL						1	
74		40010442		NEEDLE ROD LOWER METAL						1	
75		40010574		THREAD GUIDE						1	

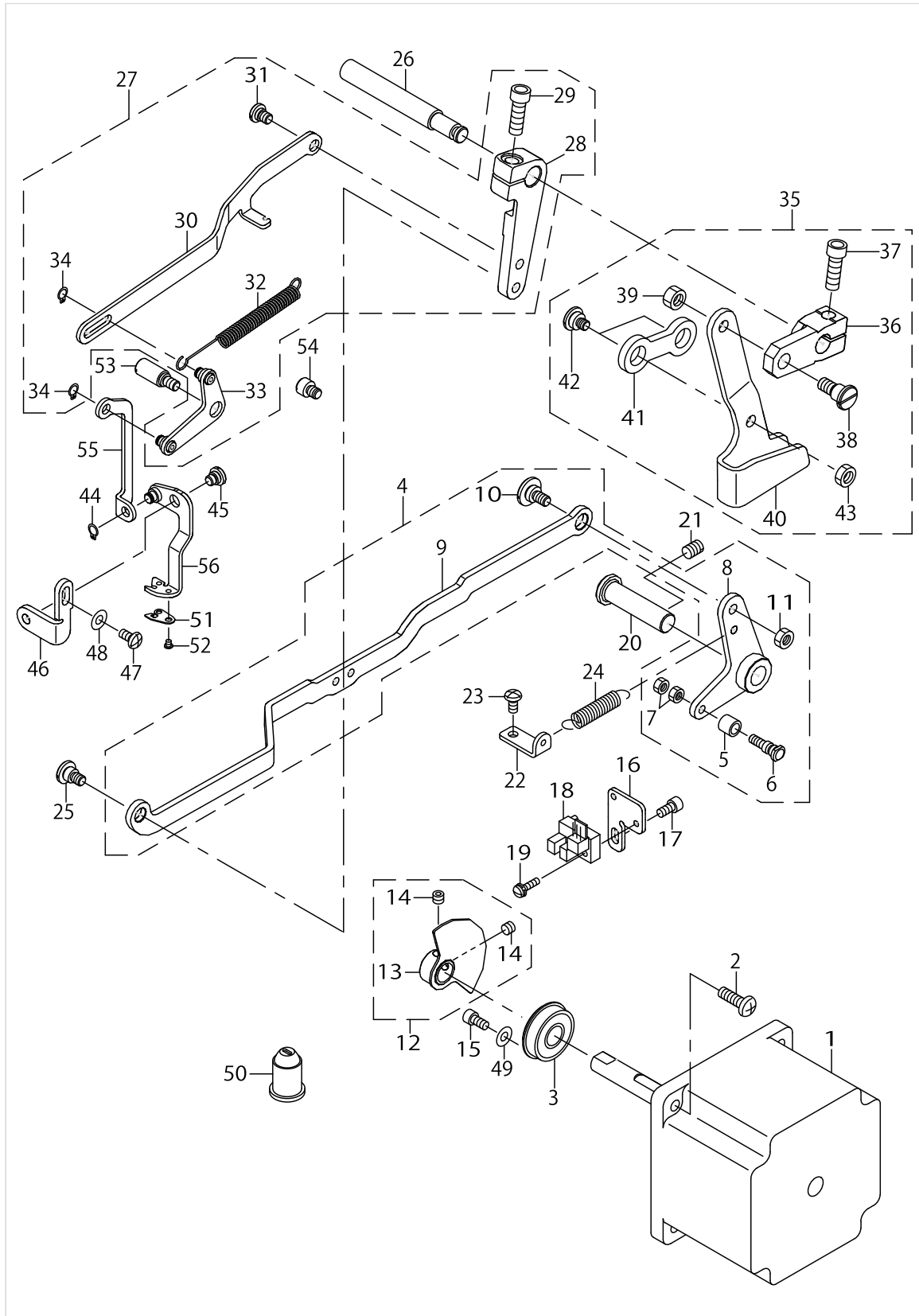
PRESSER LIFTER & WIPER COMPONENTS



PRESSER LIFTER & WIPER COMPONENTS

No.	Supply Code	Parts No.	Replacement	Parts name	Remarks	Choice	Step	Level	Cons	Qty	Rep. QTY
1		40090628		PRESSER LIFT MOTOR						1	
2		SM4051655SP		SCREW M5 L=16						4	
3		SB110002400		BEARING						1	
4		40104902		LIFTER_LINK_ASM						1	
5		40004254		UTT CAM ROLLER				*		1	
6		40040256		CAM ROLLER SHAFT				*		1	
7		NM6040001SP		NUT M4X0.7				*		2	
8		40006661		LIFTER LINK A ASM.				*		1	
9		40006665		LIFTER LINK B				*		1	
10		SD0800327TP		HINGE SCREW D=8 H=3.2				*		1	
11		NM6050001SP		NUT M5				*		1	
12		40104921		PF_SENSOR_SLIT_ASSY						1	
13		40006666		SENSOR SLIT ASM.				*		1	
14		SM8050402TP		SCREW				*		2	
15		SM6040802TP		SCREW M4X0.7 L=8						1	
16		40010443		SENSOR INSTALLING BASE						1	
17		SM6040802TP		SCREW M4X0.7 L=8						1	
18		HD00057000A		PHOTO SENSOR						1	
19		SL4031291SC		SCREW M3X12						1	
20		40006716		THREAD TRIMMER SHAFT						1	
21		SM8060812TP		SCREW M6 L=8						1	
22		40023831		SPRING RACK						1	
23		SM4040855SP		SCREW						1	
24		26226209		SPRING						1	
25		SD0700406TP		HINGESCREWD=7H=4						1	
26		40083882		CONNECTING SHAFT						1	
27		40104899		WIPER_CONNECTING_ARM_ASM_ST						1	
28		40006671		CONNECTING ARM				*		1	
29		SM6061802TP		SCREW M6 L=18				*		1	
30		40010460		WIPER CONNECTING LINK				*		1	
31		SD0600206TP		HINGESCREWD=6H=2				*		1	
32		26218008		SPRING				*		1	
33		40010451		WIPER CONNECTING ARM ASM.				*		1	
34		RC0470611KP		RETAINING RING 4.7				*		2	
35		40104898		LOWERING ARM_ASM						1	
36		40008693		LOWERING ARM				*		1	
37		SM6061802TP		SCREW M6 L=18				*		1	
38		SD0790606TP		HINGE SCREW D=7.94 H=6				*		1	
39		NM6060001CP		NUT M6				*		1	
40		40010450		LOWERING FOOT				*		1	
41		14104400		CONNECTING LINK				*		1	
42		SD1000406TP		HINGE SCREW D=10 H=4				*		2	
43		NM6060003SC		NUT M6				*		1	
44		RC0470611KP		RETAINING RING 4.7						1	
45		SD0640216TP		HINGE SCREW D=6.35 H=2.1						1	
46		40006678		WIPER BASE PLATE						1	

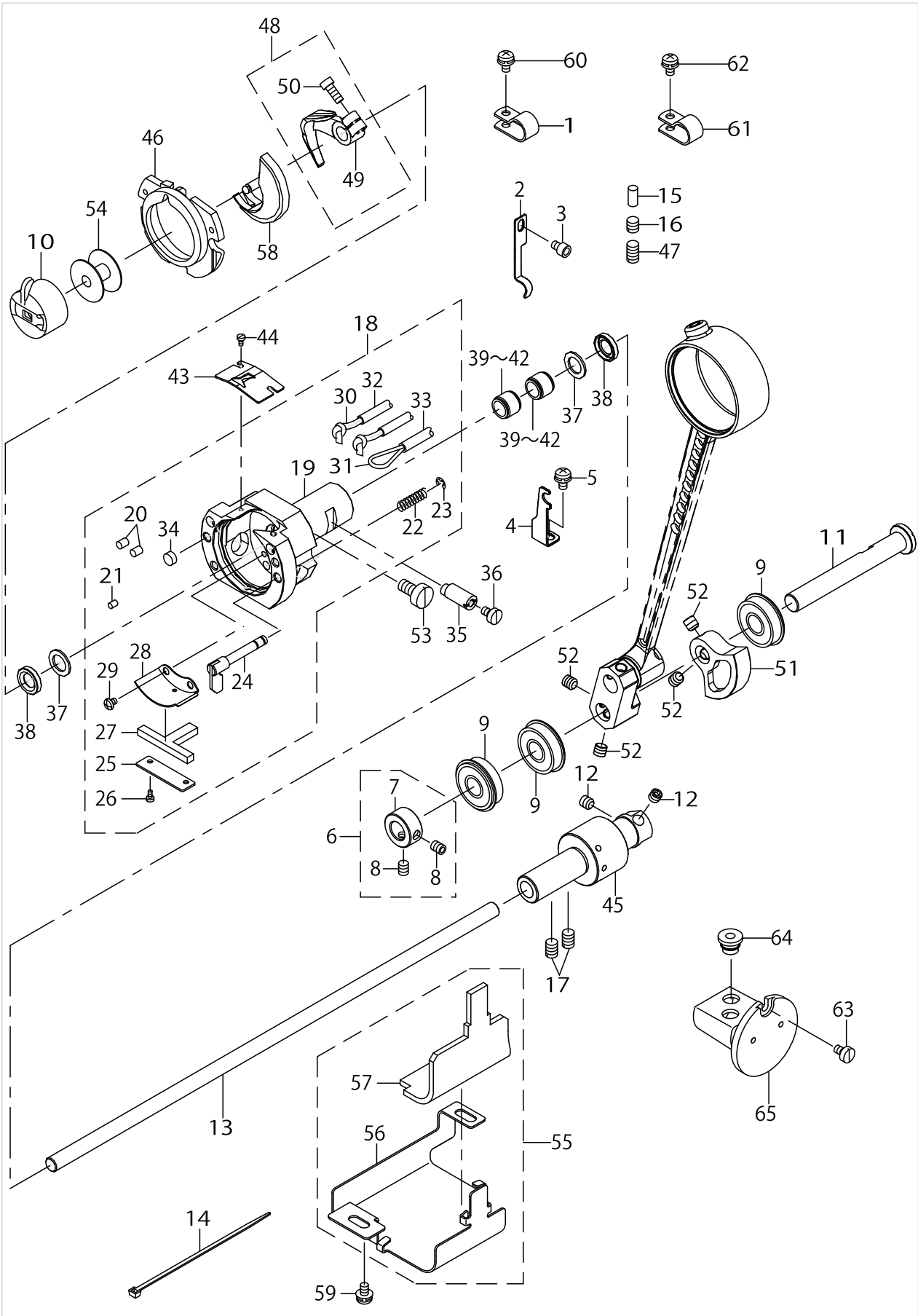
PRESSER LIFTER & WIPER COMPONENTS



PRESSER LIFTER & WIPER COMPONENTS

No.	Supply Code	Parts No.	Replacement	Parts name	Remarks	Choice	Step	Level	Cons	Qty	Rep. QTY
47		SM4040855SP		SCREW						1	
48		WP0450801SP		WASHER						1	
49		WP0450801SP		WASHER						1	
50		13509807		OIL SHIELD CAP						1	
51		40091929		WIPER PLATE A					☆	1	
52		SS5060310SP		SCREW 3/32-56 L=2.8					☆	1	
53		40010455		WIPER CONNECTING LINK SHAFT						1	
54		40010457		WIPER STOPPER						1	
55		40006937		WIPER CONNECTING PLATE B						1	
56		40033047		WIPER ASM.						1	

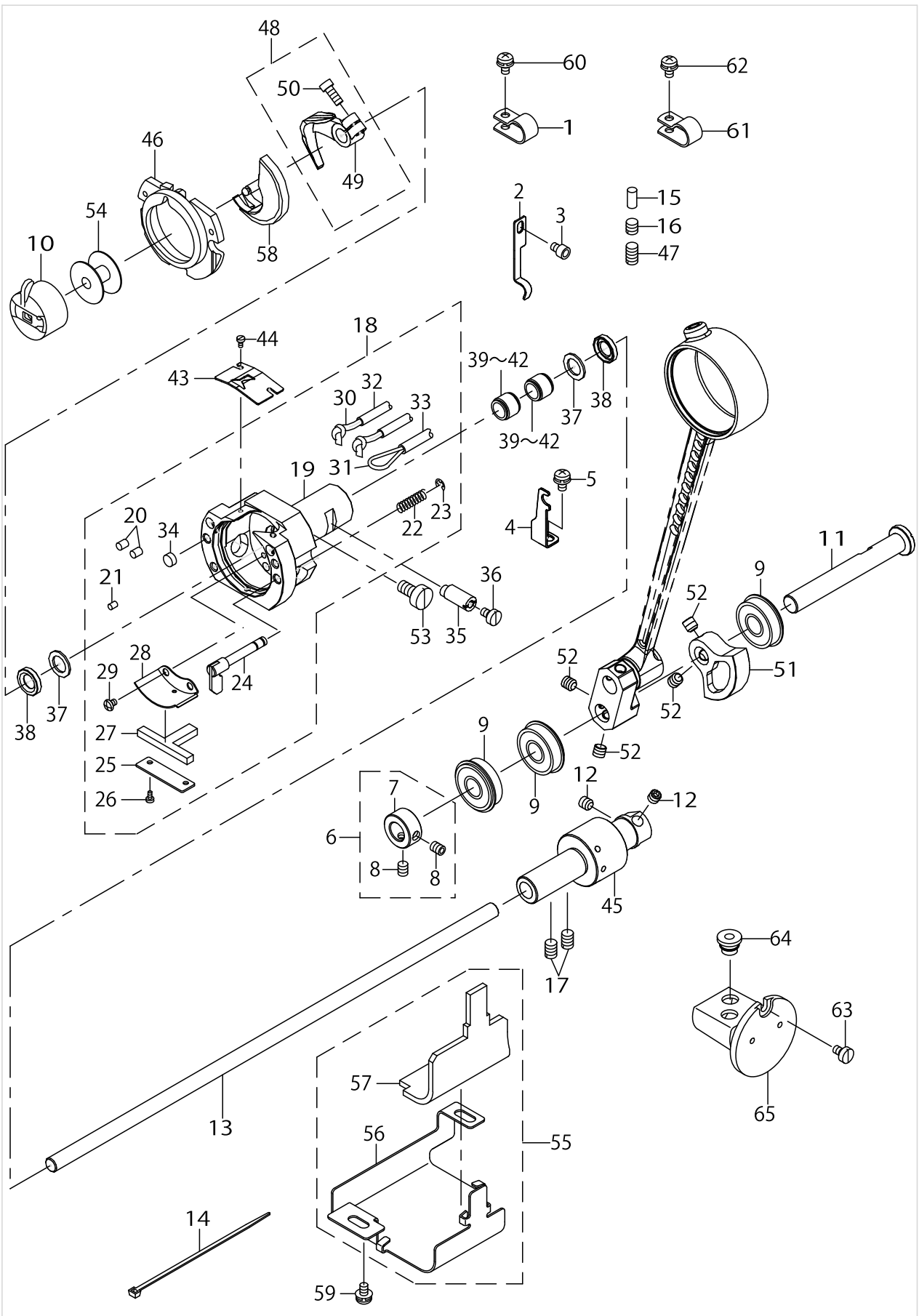
SHUTTLE DRIVER SHAFT COMPONENTS



SHUTTLE DRIVER SHAFT COMPONENTS

No.	Supply Code	Parts No.	Replacement	Parts name	Remarks	Choice	Step	Level	Cons	Qty	Rep. QTY
1		HX00150000D		CABLE CLIP						1	
2		40012127		OIL PIPE HOLDER						1	
3		SM6040502TP		SCREW M4X0.7 L=5						1	
4		40013721		TUBE CLAMP						1	
5		SL4040891SC		SCREW M4 L=8						1	
6		40010464		THRUST COLLAR ASM.						1	
7	R	40010467	40010464	THRUST COLLAR				*		1	1.00
8		40010469		THRUST COLLAR SCREW				*		2	
9		SB110002400		BEARING						3	
10		B18289800BB		BOBBIN CASE ASM. (RACING PREVE)					☆	1	
11		40112994		OSCILLATOR SHAFT						1	
12		SM8060612TP		SCREW M6 L=6						2	
13		40010575		LOWER SHAFT						1	
14		EA9500B0100		CABLE BAND						2	
15		40006578		OIL WICK PRESSER						1	
16		SM8060610TP		SCREW						1	
17		SM8060812TP		SCREW M6 L=8						2	
18	R	40006573	40110858	SHUTTLE ASM.						1	1.00
19		40089365		SHUTTLE				*		1	
20		B1820210D00		SHUTTLE OIL FELT A				*		2	
21		B1821210D00		SHUTTLE OIL FELT B				*		1	
22		B1822215P00		INNER HOOK PRESSER SPRING				*		2	
23		RE0300000K0		E-RING 3				*		2	
24		26501858		INNER-HOOK-PRESSER ASM.				*		2	
25		14104004		ONCE THROUGH OIL FELT PRESSER				*		1	
26		SM6020460TP		SCREW M2 L=3.5				*		2	
27		14103907		SHUTTLE ONCE TH- ROUGH OIL FELT				*		1	
28		40006577		SHUTTLE LUBRICATING PLATE				*		1	
29		SM4030455SP		SCREW				*		2	
30		CQ200000000		OIL WICK				*		2.6	
31		CQ200000000		OIL WICK				*		1.4	
32		23630007		TUBE				*		1	
33		23630007		TUBE				*		0.6	
34		13529607		SHUTTLE PACKING				*		2	
35		40010471		SHUTTLE RACE AD- JUSTING SHAFT						1	
36		SM6040650TP		SCREW M4 L=6						1	
37		40010472		SHUTTLE BEARING RING						2	
38		40110856		SUTTLE OIL SEAL						2	
39		SB30800100A		BEARING	SELECTIVE PARTS					2	
40		SB30800100B		BEARING	SELECTIVE PARTS					2	
41		SB30800100C		BEARING	SELECTIVE PARTS					2	
42		SB30800100D		BEARING	SELECTIVE PARTS					2	
43		B1815210000		INNER HOOK UPPER SPRING						1	
44		SM6020460TP		SCREW M2 L=3.5						2	
45		40110830		LOWER SHAFT GEAR ASM.						1	

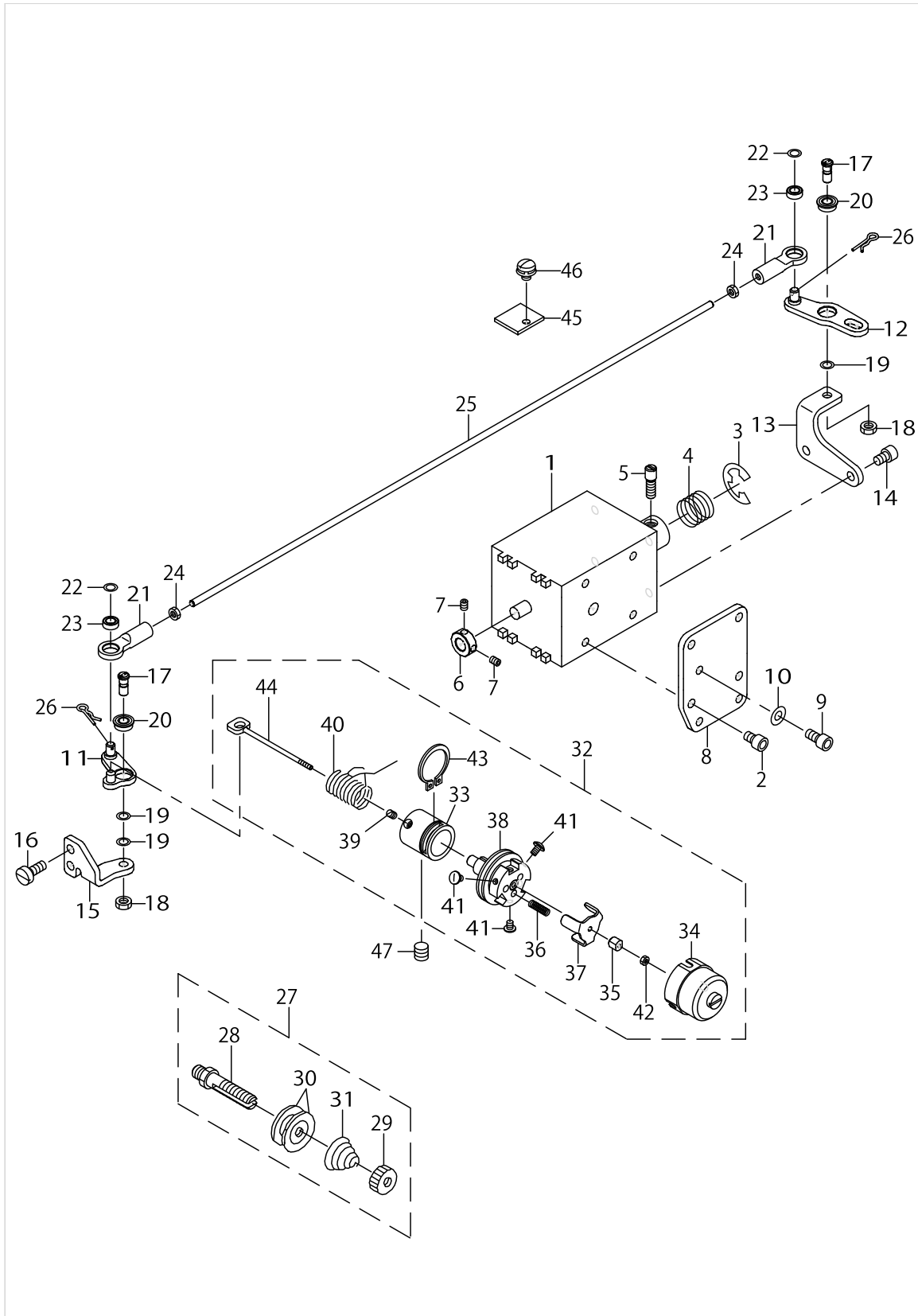
SHUTTLE DRIVER SHAFT COMPONENTS



SHUTTLE DRIVER SHAFT COMPONENTS

No.	Supply Code	Parts No.	Replacement	Parts name	Remarks	Choice	Step	Level	Cons	Qty	Rep. QTY
46		14103352		INNER HOOK PRESSER ASM. B						1	
47		SM8061050TP		SCREW						1	
48		40011512		DRIVER ASM.						1	
49	R	40011511	40011512	SHUTTLE DRIVER				*		1	1.00
50		SS6121212TP		SCREW 3/16-28 L=12.0				*		1	
51		40110827		OSCILLATOR						1	
52		SM8480652TP		SCREW						4	
53		40010470		SHUTTLE ASM. SCREW						1	
54		13812102		BOBBIN					☆	1	
55		40010473		LOWER SHAFT GEAR COVER ASM.						1	
56	R	40010474	40010473	LOWER SHAFT GEAR COVER				*		1	1.00
57		40010475		LOWER SHAFT GEAR FELT				*		1	
58	R	40006580	400065800A0	SHUTTLE		A				☆	1 1.00
58	R	40006580	40110846	SHUTTLE		B				☆	1 1.00
59		SL4040891SC		SCREW M4 L=8						2	
60		SL4040891SC		SCREW M4 L=8						1	
61		HX00150000B		CABLE CLIP						2	
62		SL4040891SC		SCREW M4 L=8						2	
63		SM6040650TP		SCREW M4 L=6						1	
64		40006840		RUBBER BUSH						2	
65		40006836		OIL TANK ASM.						1	

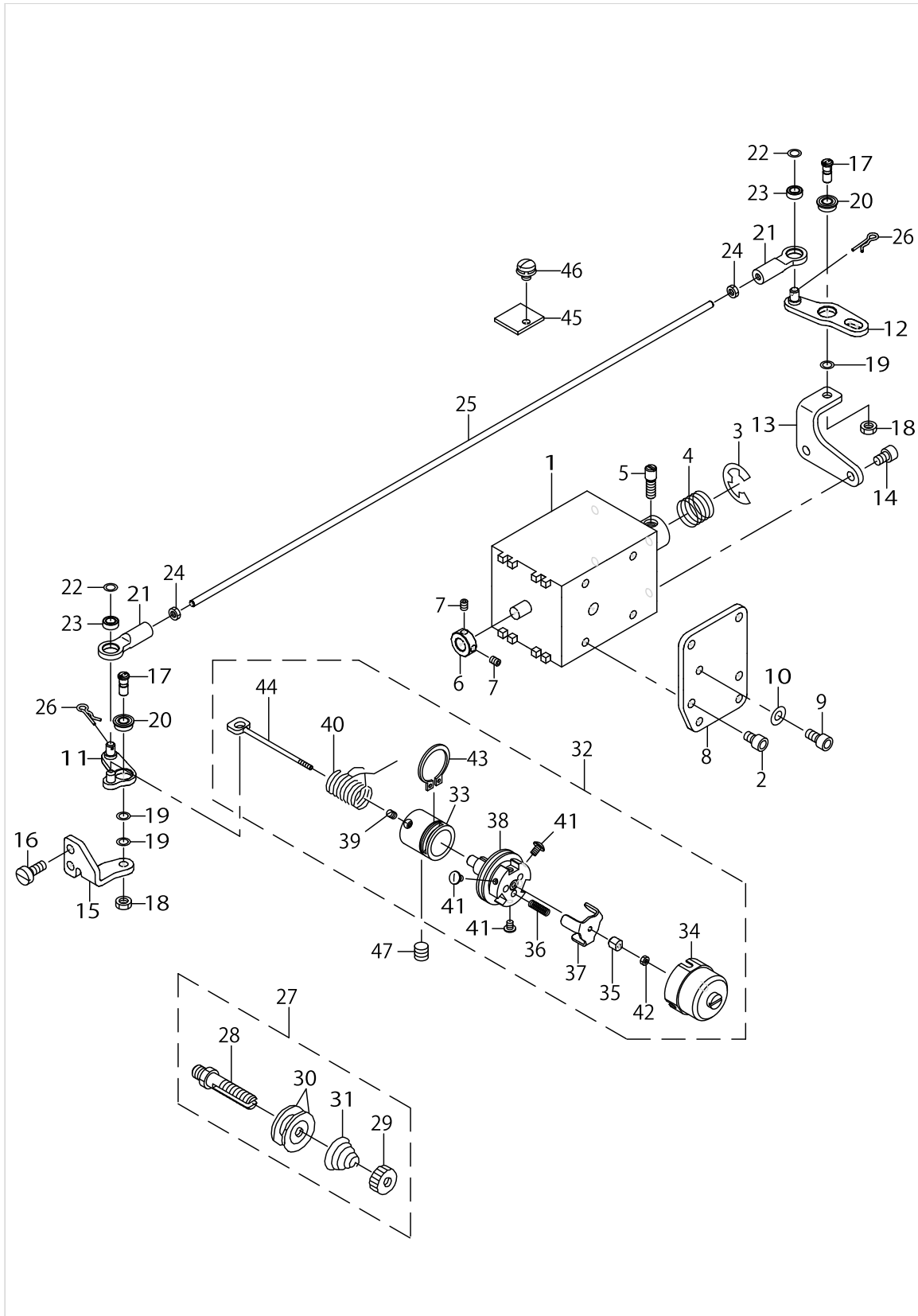
THREAD TENSION COMPONENTS



THREAD TENSION COMPONENTS

No.	Supply Code	Parts No.	Replacement	Parts name	Remarks	Choice	Step	Level	Cons	Qty	Rep. QTY
1		40006628		AT SOLENOID						1	
2		SM6040602TP		SCREW M4 L=6						4	
3		RE0900000K0		E-RING 9						1	
4		40006625		SPRING						1	
5		40006617		AT SOL PIN						1	
6		40010477		AT SOL COLLAR						1	
7		SM8030412TP		SCREW						2	
8		40010479		AT PLATE						1	
9		SM6040802TN		SCREW						2	
10		WP0430801SC		WASHER 4.3X9X0.8						2	
11		40010482		AT DRIVE LINK(F) ASM.						1	
12		40010492		AT DRIVE LINK(R) ASM.						1	
13		40010495		AT PIVOT BASE(R)						1	
14		SM6040602TP		SCREW M4 L=6						2	
15		40010486		AT PIVOT BASE(F)						1	
16		SM6041050TP		SCREW M4 L=10						2	
17		40010487		AT PIVOT SCREW						2	
18		40010488		AT PIVOT NUT						2	
19		40010489		AT PIVOT SCREW WASHER						3	
20		40010490		AT PIVOT BEARING						2	
21		40010497		AT JOINT						2	
22		40010489		AT PIVOT SCREW WASHER						2	
23		40010498		AT JOINT BEARING						2	
24	R	40010499	NM6030001SC	AT JOINT NUT						2	1.00
25		40010500		AT CONNECTIONBAR						1	
26		40006622		AT SNAP PIN						2	
27		40010503		THREAD TENSION 1 ASM.						1	
28	R	40010504	40010503	THREAD TENSION SHAFT				*		1	1.00
29		22928808		NUT				*		1	
30		22921506		THREAD TENSION DISK				*		2	
31		26218602		FIRST THREAD TENSION SPRING				*		1	
32		40010508		THREAD TENSION 2 ASM.						1	
33		40010510		THREAD TENSION POST BASE				*		1	
34		40010511		DISK STOPPER HOLDER CAP				*		1	
35		40010512		THREAD TENSION SHAFT COLLAR				*		1	
36		40010513		DISK STOPPER SP				*		3	
37		40010514		DISK STOPPER				*		1	
38		40010515		ASSY THREAD TENSION POST				*		1	
39		40010478		AT SOL COLLAR SCREW				*		1	
40		22921605		THREAD TAKE-UP SPRING				*	☆	1	
41		40010521		HOLD CAP SCREW				*		3	
42		40010522		SHAFT NUT				*		1	
43	R	40010523	40010508	POST BASE C RING				*		1	1.00
44		40010509		THREAD TENSION SHAFT				*		1	
45		40013967		AT-FELT						1	
46		SL4040681SC		SCREW M4 L=6						1	

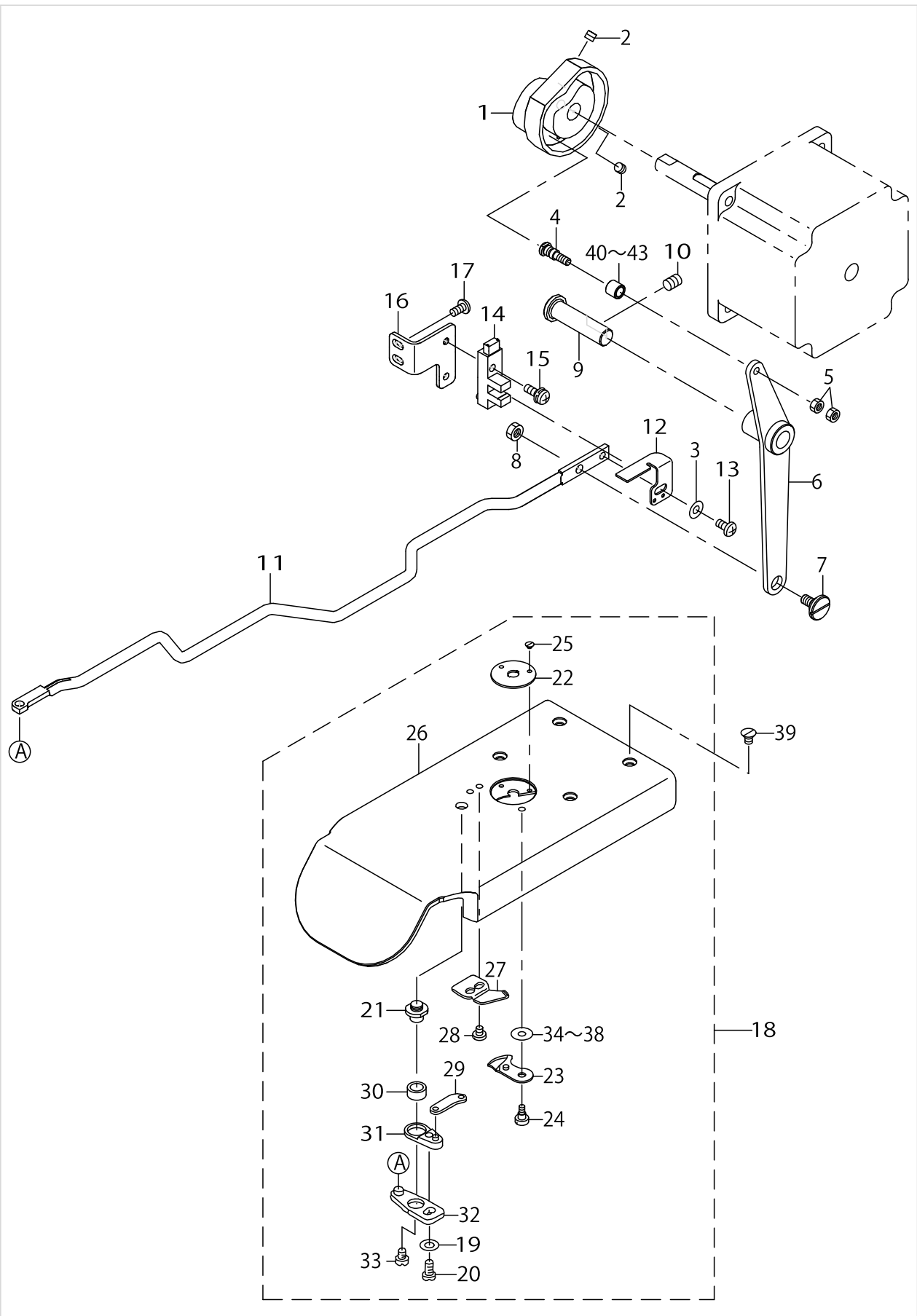
THREAD TENSION COMPONENTS



THREAD TENSION COMPONENTS

No.	Supply Code	Parts No.	Replacement	Parts name	Remarks	Choice	Step	Level	Cons	Qty	Rep. QTY
47		SM8061612TP		SCREW M6X16						1	

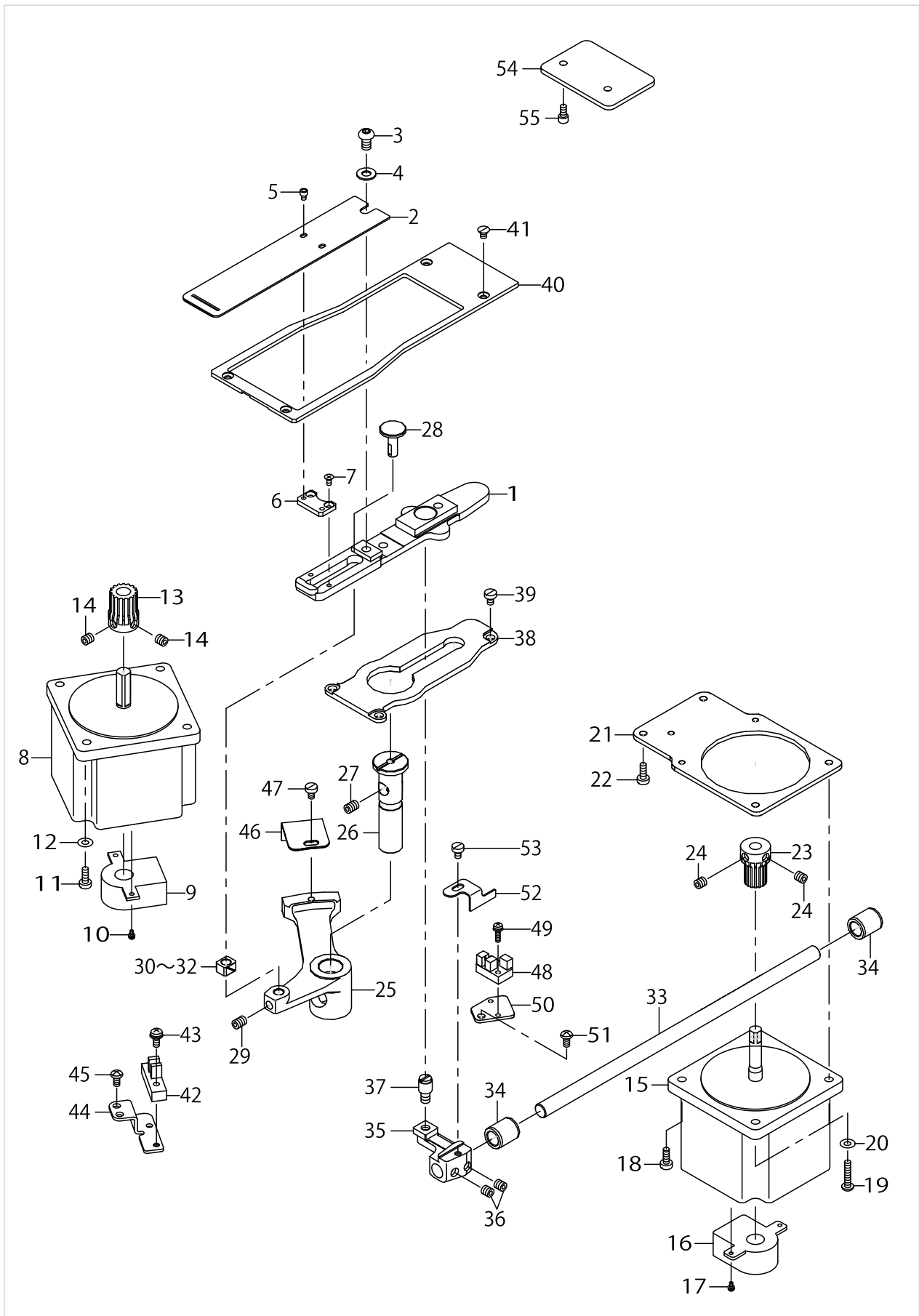
THREAD TRIMMER MECHANISM COMPONENTS



THREAD TRIMMER MECHANISM COMPONENTS

No.	Supply Code	Parts No.	Replacement	Parts name	Remarks	Choice	Step	Level	Cons	Qty	Rep. QTY
1		40006711		THREAD TRIMMER CAM						1	
2		SM8050592TP		SCREW						2	
3		WP0450801SP		WASHER						1	
4		40040256		CAM ROLLER SHAFT						1	
5		NM6040001SP		NUT M4X0.7						2	
6		40006712		THREAD TRIMMER LINK ASM.						1	
7		SD0800327TP		HINGE SCREW D=8 H=3.2						1	
8		NM6050001SP		NUT M5						1	
9		40006716		THREAD TRIMMER SHAFT						1	
10		SM8060812TP		SCREW M6 L=8						1	
11		40006717		CONNECTING BAR						1	
12		40010525		THREAD TRIMMER SENSOR SLIT						1	
13		SM4040855SP		SCREW						1	
14		HD002230000		PHOTO SENSOR						1	
15		SL4041291SC		SCREW M4 L=12						1	
16		40010526		THREAD TRIMMER SENSOR BASE						1	
17		SM4040855SP		SCREW						2	
18		40066720		NEEDLE PLATE ASM. W						1	
19		WP0450846SP		WASHER				*		1	
20		SS7110740TP		SCREW 11/64-40 L=7				*		1	
21		B2417280000		THREAD CUTTER LEVER SHAFT				*		1	
22		B2426280000		NEEDLE HOLE GUIDE				*	☆	1	
23		B24212800A0		MOVING KNIFE ASM.				*	☆	1	
24		SD0500091TP		HINGE SCREW D=5.0 H=0.9				*		1	
25		SS1060210TP		SCREW 3/32-56 L=2.2				*		2	
26		40066721		NEEDLE PLATE W				*		1	
27		B2424280000		FIXING KNIFE				*	☆	1	
28		SS7090410SP		SCREW 9/64-40 L=3.5				*		2	
29		B2418280000		MOVING KNIFE LINK				*		1	
30		B2416280000		THREAD CUTTING LEVER RING				*		1	
31		B24152800A0		THREAD CUTTER L- EVER ASM. SMALL				*		1	
32		B24142800A0		THREAD CUTTER L- EVER ASM. LARGE				*		1	
33		SS6110430TP		SCREW 11/64-40 L=4.0				*		1	
34		B242328000A		MOVING KNIFE WASHER A	SELECTIVE PARTS			*		1	
35		B242328000B		MOVING KNIFE WASHER B	SELECTIVE PARTS			*		1	
36		B242328000C		MOVING KNIFE WASHER C	SELECTIVE PARTS			*		1	
37		B242328000D		MOVING KNIFE WASHER D	SELECTIVE PARTS			*		1	
38		B242328000E		MOVING KNIFE WASHER E	SELECTIVE PARTS			*		1	
39		SM1040650TP		SCREW M4 L=6						4	
40		23517501		NEEDLE CAM ROLLER A	SELECTIVE PARTS					1	
41		23517600		NEEDLE CAM ROLLER B	SELECTIVE PARTS					1	
42		23517709		NEEDLE CAM ROLLER C	SELECTIVE PARTS					1	
43		23517808		NEEDLE CAM ROLLER D	SELECTIVE PARTS					1	

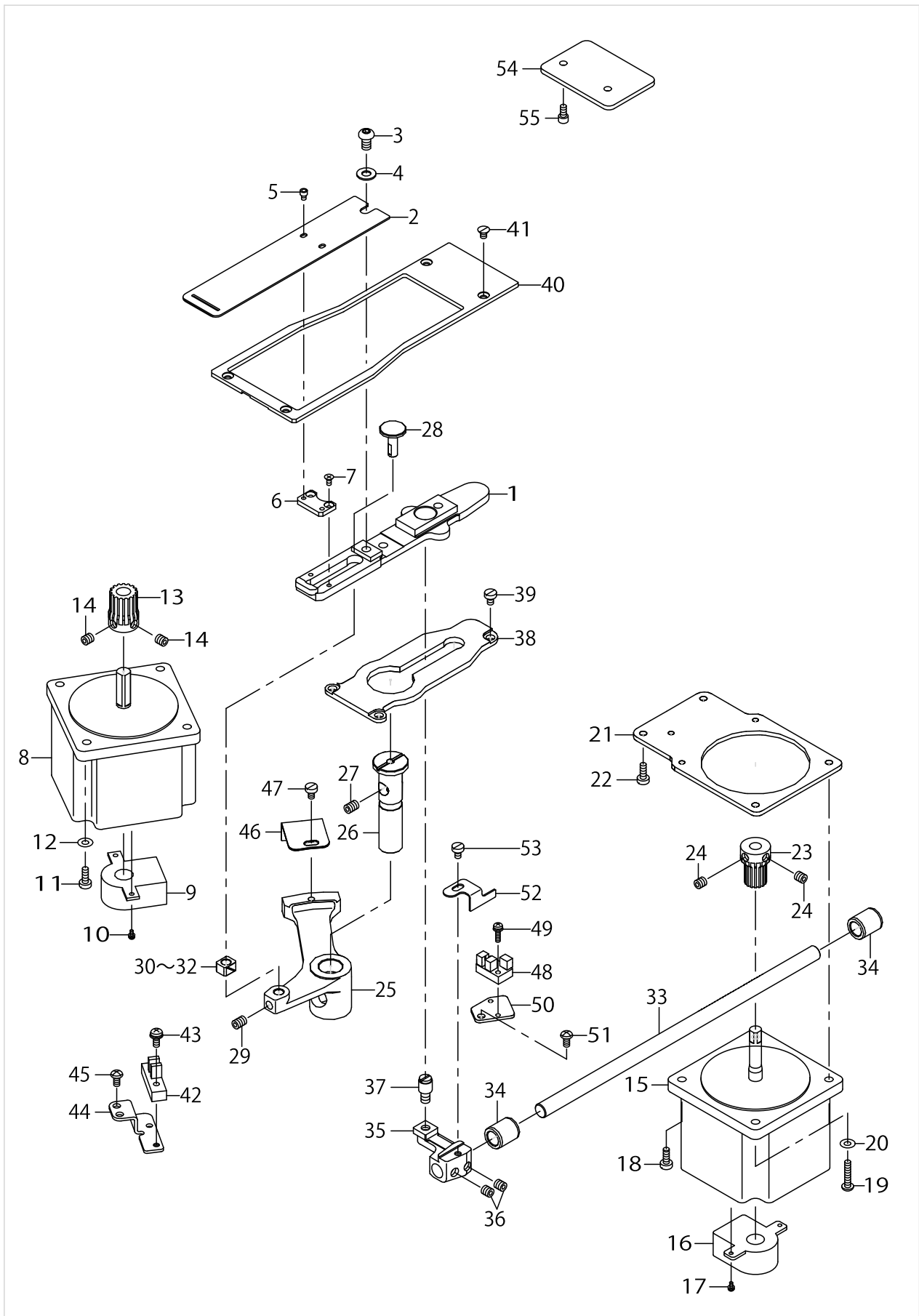
FEED MECHANISM COMPONENTS



FEED MECHANISM COMPONENTS

No.	Supply Code	Parts No.	Replacement	Parts name	Remarks	Choice	Step	Level	Cons	Qty	Rep. QTY
1		40078100		CLOTH FEED PLATE A ASM.						1	
2		40071906		FEED PLATE A						1	
3		SM3061052TP		SCREW M6 L=10						1	
4		WP0621016SD		WASHER 6.2X13X1						1	
5		SM6030402TP		SCREW M3X0.5 L=4						2	
6		40075978		SPACER PLATE						1	
7		SM1030601SP		SCREW M3 L=6						2	
8		40090626		X FEED MOTOR						1	
9		HD002780000		SENSOR						1	
10		SL4020591SC		SCREW M2X5						2	
11		SM4041655SP		SCREW M4 L=16						4	
12		WP0450801SP		WASHER						4	
13		26501403		X FEED GEAR						1	
14		SM8060602TP		SCREW M6X6						2	
15		40090627		Y FEED MOTOR						1	
16		HD002780000		SENSOR						1	
17		SL4020591SC		SCREW M2X5						2	
18		SM6041150TP		SCREW						2	
19		SM4042055SP		SCREW						2	
20		WP0450801SP		WASHER						2	
21		40010536		Y FEED MOTOR BASE						1	
22		SM6041150TP		SCREW						2	
23		26501502		Y FEED GEAR						1	
24		SM8060602TP		SCREW M6X6						2	
25		40006736		CLOTH FEED ARM						1	
26		26222703		FEED DRIVING ARM SHAFT						1	
27		SM8060812TP		SCREW M6 L=8						1	
28		26223305		SLIDE BLOCK STUD						1	
29		SM8060812TP		SCREW M6 L=8						1	
30		B1414232000		SQUARE BLOCK	SELECTIVE PARTS					1	
31		B141423200A		CRANK SLIDE BLOCK	SELECTIVE PARTS					1	
32		B141423200B		GUIDE ROLLER	SELECTIVE PARTS					1	
33		40006738		Y FEED SHAFT						1	
34		B2509704000		BUSHING REAR						2	
35		40042897		LENGTHWISE FEED ARM(M)						1	
36		SM8480652TP		SCREW						2	
37		40078098		HINGE STUD A						1	
38		40006740		CLOTH FEED SUPPORT PLATE						1	
39		SM6040650TP		SCREW						3	
40		40066739		CLOTH FEED PRESSER PLATE						1	
41		SM1040650TP		SCREW						4	
42		HD002230000		PHOTO SENSOR						1	
43		SL4041281SC		SCREW M4X0.7 L=12						1	
44		14111702		SENSOR INSTALLING BASE						1	
45		SM4040855SP		SCREW						2	
46		14111504		CROSSFEED SENSOR SLIT						1	

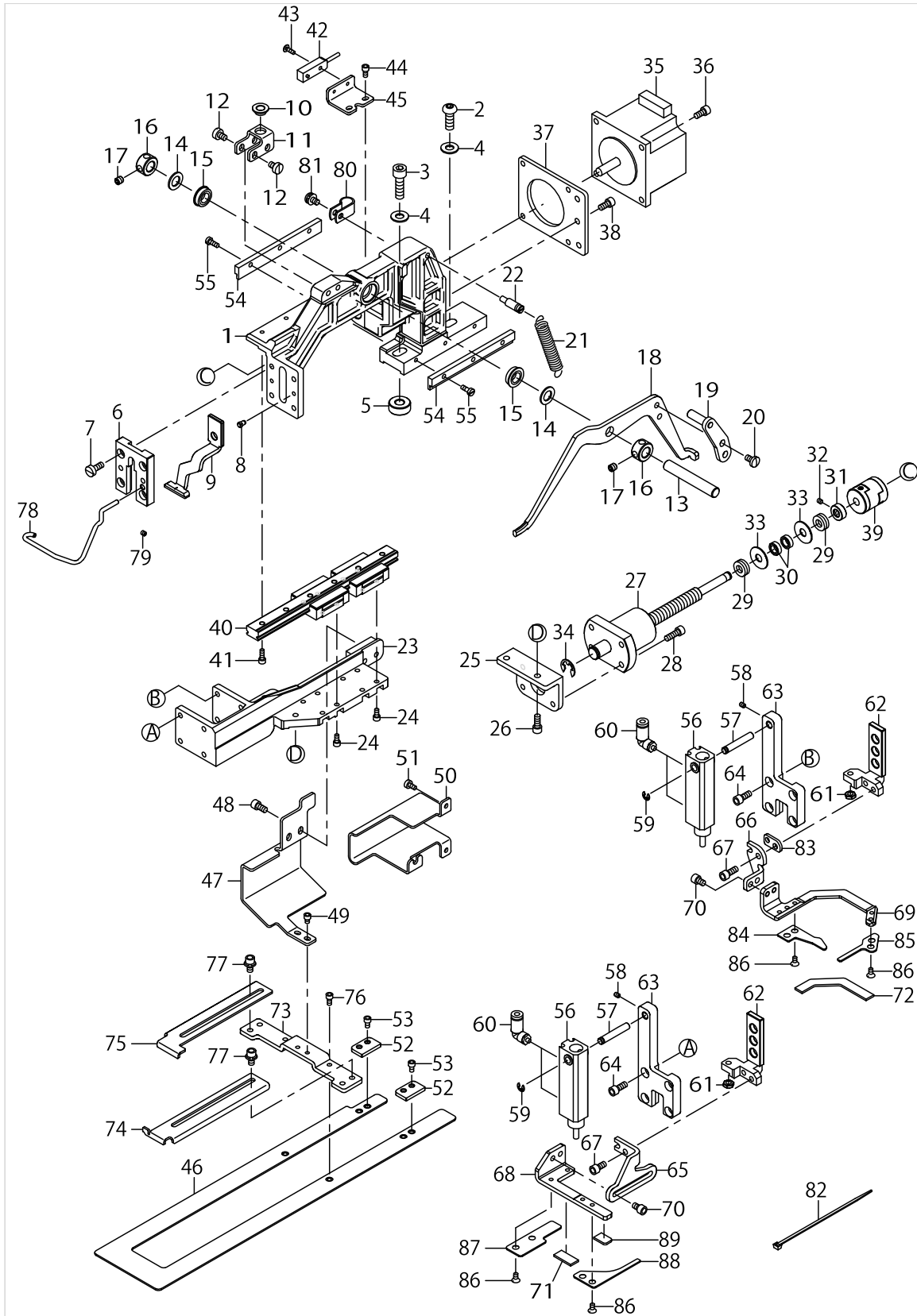
FEED MECHANISM COMPONENTS



FEED MECHANISM COMPONENTS

No.	Supply Code	Parts No.	Replacement	Parts name	Remarks	Choice	Step	Level	Cons	Qty	Rep. QTY
47		SM6040650TP		SCREW						1	
48		HD00057000A		PHOTO SENSOR						1	
49		SL4031291SC		SCREW M3X12						1	
50		40028986		SENSOR INSTALLING BASE						1	
51		SM4040855SP		SCREW						1	
52		14136402		LENGTHWISE FEED SENSOR SLIT						1	
53		SM6040650TP		SCREW						1	
54		40039255		SUPPORT PLATE						1	
55		SM6040802TP		SCREW M4X0.7 L=8						2	

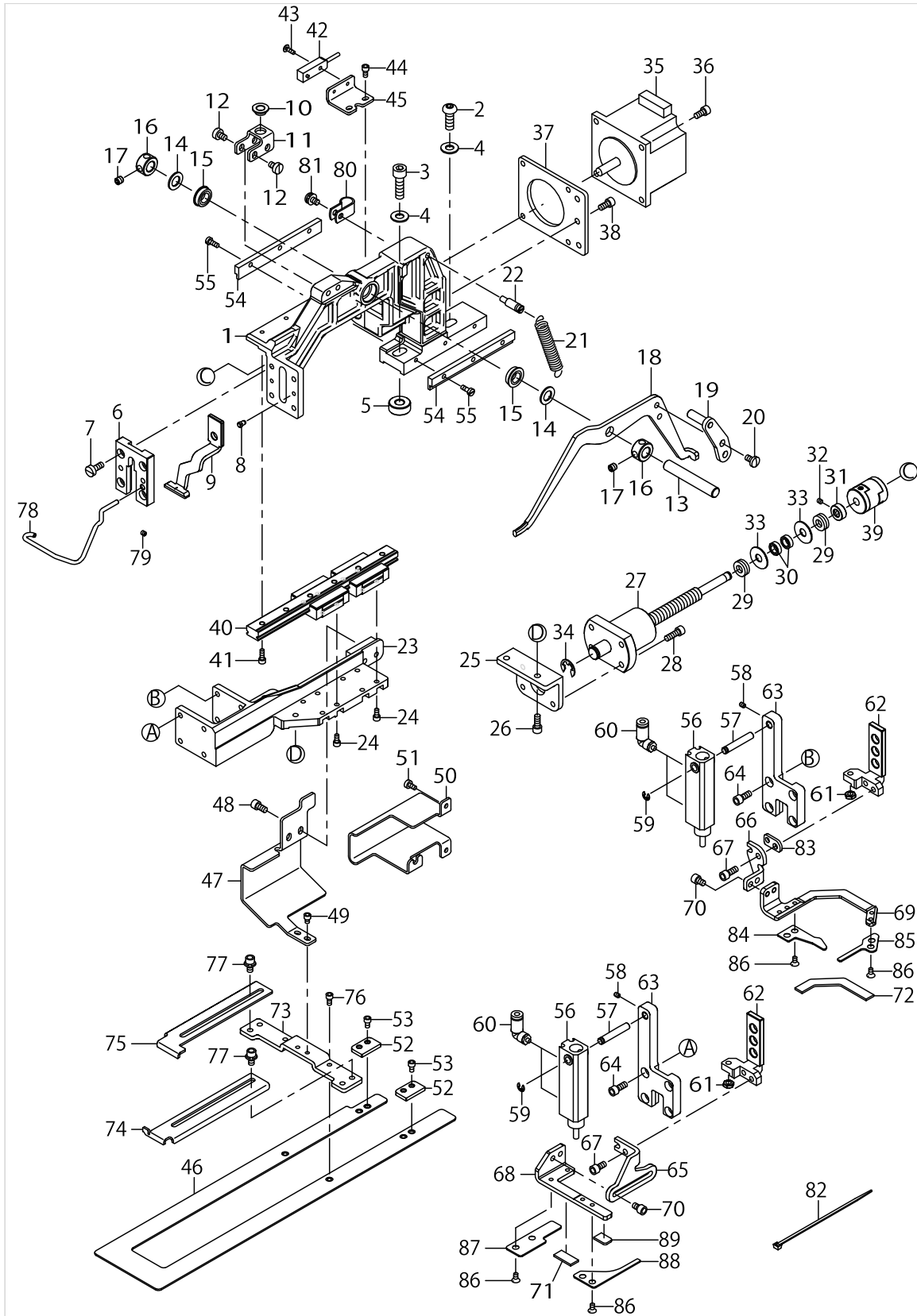
CLOTH FEED COMPONENTS



CLOTH FEED COMPONENTS

No.	Supply Code	Parts No.	Replacement	Parts name	Remarks	Choice	Step	Level	Cons	Qty	Rep. QTY
1		40066402		FEED BRACKET						1	
2		SM3061652TN		SCREW M6 L=16						1	
3		SM6062002TP		SCREW M6 L=20						1	
4		WP0621016SD		WASHER 6.2X13X1						2	
5		40075988		FEED SPACER						1	
6		40066651		CLOTH FEED BASE COVER						1	
7		SM6041000SP		SCREW M4 L=10						4	
8		B1816280000		GUIDE PIN						2	
9		40071925		WORKCLAMP FOOT A						1	
10		G5126172000		CLAMP SHAFT HOLDER						1	
11		40091163		SLIDER BASE						1	
12		SM6040650TP		SCREW						4	
13		40083883		LIFTING LEVER SHAFT B						1	
14		40083885		WASHER						2	
15		SB108000700		BEARING						2	
16		40083884		THRUST COLLAR D=8 W=8						2	
17		SM8050512TP		SCREW						4	
18		26204008		LIFTINGLEVERRIGHT						1	
19		40103154		LEVER DRIVING PLATE R ASM.						1	
20		SS7110740TP		SCREW 11/64-40 L=7						2	
21		14105407		CLOTH PRESSER SPRING						1	
22		40038207		NIPPER BAR SPRING SCREW						1	
23		40066443		CLOTH FEED BASE						1	
24		SM6030602TP		SCREW M3X0.5 L=6						8	
25		40066444		CLOTH FEED BASE B						1	
26		SM6041002TP		SCREW M4 L=10						2	
27		40109548		BALL_SCREW_1010						1	
28		SM6041202TP		SCREW M4X0.7 L=12						4	
29		SB406000100		THRUST BEARING						2	
30		SB106000500		BEARING						2	
31		40010477		AT SOL COLLAR						1	
32		SM8030302TP		SCREW M3X0.5 L=3						2	
33		G5236254000		THRUST RING						2	
34		RE0700000K0		E-RING 7						1	
35		40090635		CLOTH FEED MOTOR						1	
36		SM6040802TP		SCREW M4X0.7 L=8						4	
37		40073100		MOTOR BASE PLATE						1	
38		SM6041002TP		SCREW M4 L=10						3	
39		40091160		COUPLING						1	
40		40091161		LM GUIDE 12						1	
41		SM6030802TP		SCREW M3X0.5 L=8						6	
42		40090642		CLOTH FEED ORG SENSOR ASSY						1	
43		SM0850801SC		SCREW M2.5 L=8						1	
44		SM6030602TP		SCREW M3X0.5 L=6						2	
45		40066761		SENSOR BASE						1	
46		40066751		UNDER FEED PLATE						1	

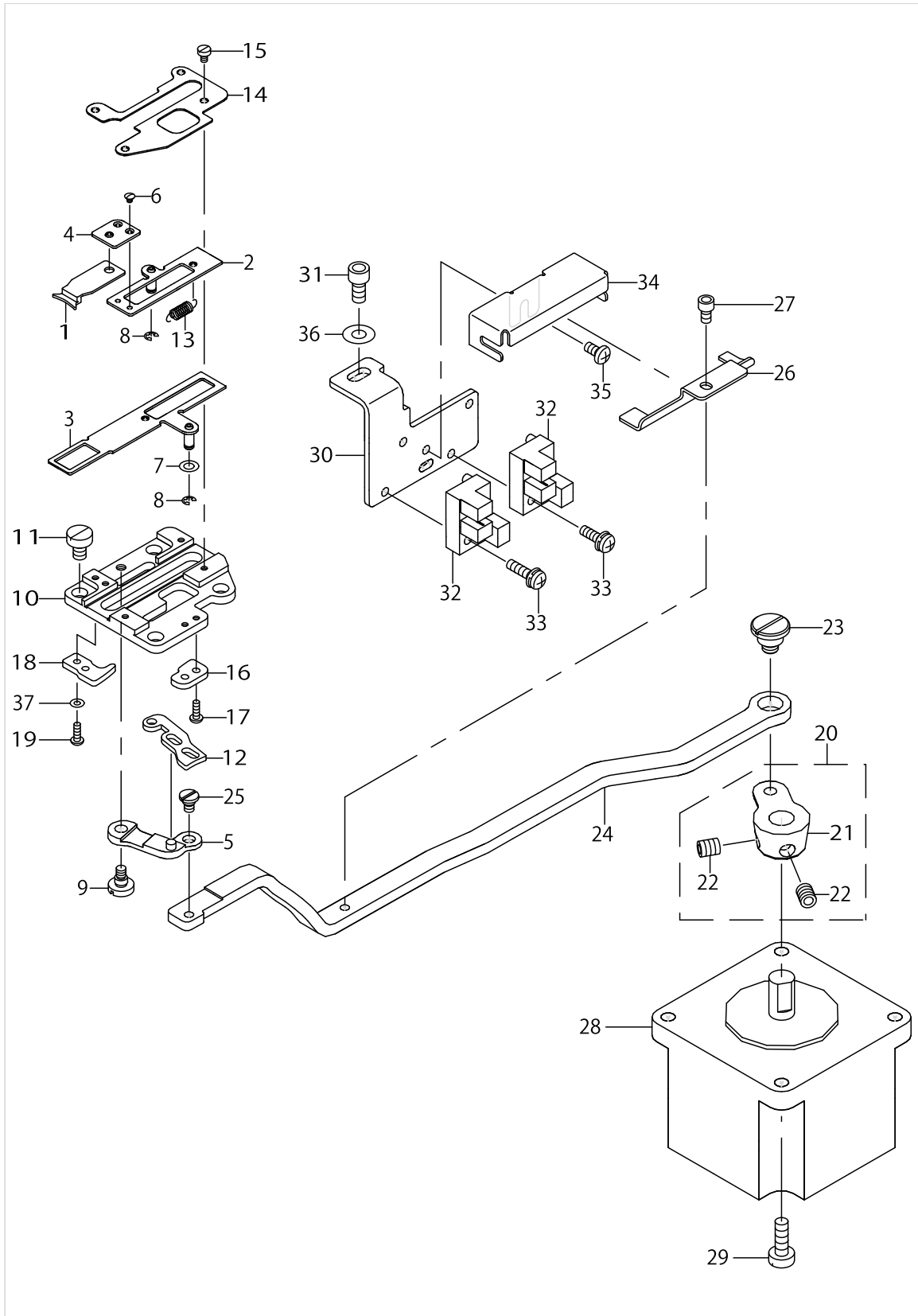
CLOTH FEED COMPONENTS



CLOTH FEED COMPONENTS

No.	Supply Code	Parts No.	Replacement	Parts name	Remarks	Choice	Step	Level	Cons	Qty	Rep. QTY
47		40066746		CONNECTING PLATE						1	
48		SM6040802TP		SCREW M4X0.7 L=8						2	
49		SM6030402TP		SCREW M3X0.5 L=4						2	
50		40091159		FEED COVER						1	
51		SM6030600SP		SCREW M3X0.5 L=6						3	
52		40066748		FEED PLATE GUIDE B						2	
53		SM6030602TP		SCREW M3X0.5 L=6						4	
54		40066745		FEED PLATE GUIDE						2	
55		SM6030800SP		SCREW M3X0.5 L=8						6	
56		PA1003027A0		AIR CYLINDER						2	
57		14411003		CLOTH PRESSER C- YLINDER SHAFT						2	
58		SM8030412TP		SCREW						2	
59		RE0400000K0		E-RING 4						2	
60		PJ304040301		UNION ELBOW M3						4	
61		NM6040003SC		NUT M4						2	
62		40091158		PRESSURE SLIDE PLATE						2	
63		40075982		CLOTH PRESSER BASE COVER						2	
64		SM6041002TP		SCREW M4 L=10						8	
65		40091339		CLAMP FOOT F						1	
66		40100422		CLAMP FOOT R						1	
67		SM6041002TP		SCREW M4 L=10						4	
68		40107534		CLOTH CLAMP A F						1	
69		40107532		CLOTH CLAMP A R						1	
70		SM6040652TP		SCREW M4 L=6						4	
71		40108792		PRESSURE SPONGE F B					☆	1	
72		40100426		PRESSURE SPONGE R B					☆	1	
73		40067940		GUIDE BASE						1	
74		40067941		CLOTH STOPPER R						1	
75		40067942		CLOTH STOPPER L						1	
76		SM6030602TP		SCREW M3X0.5 L=6						2	
77		SL6040692TN		BOLT						4	
78		40075977		FINGER GUARD						1	
79		SM8030302TP		SCREW M3X0.5 L=3						1	
80		HX00150000C		CABLE CLIP						1	
81		SL4040891SC		SCREW M4 L=8						1	
82		EA9500B0100		CABLE BAND						2	
83		40100420		SPACER						1	
84		40107703		CLOTH CLAMP SUPPORT A						1	
85		40107531		CLOTH CLAMP SUPPORT B						1	
86		SM1030400SP		SCREW M3 L=4						8	
87		40107530		CLOTH CLAMP SUPPORT C						1	
88		40107533		CLOTH CLAMP SUPPORT D						1	
89		40108791		PRESSURE SPONGE F A						1	

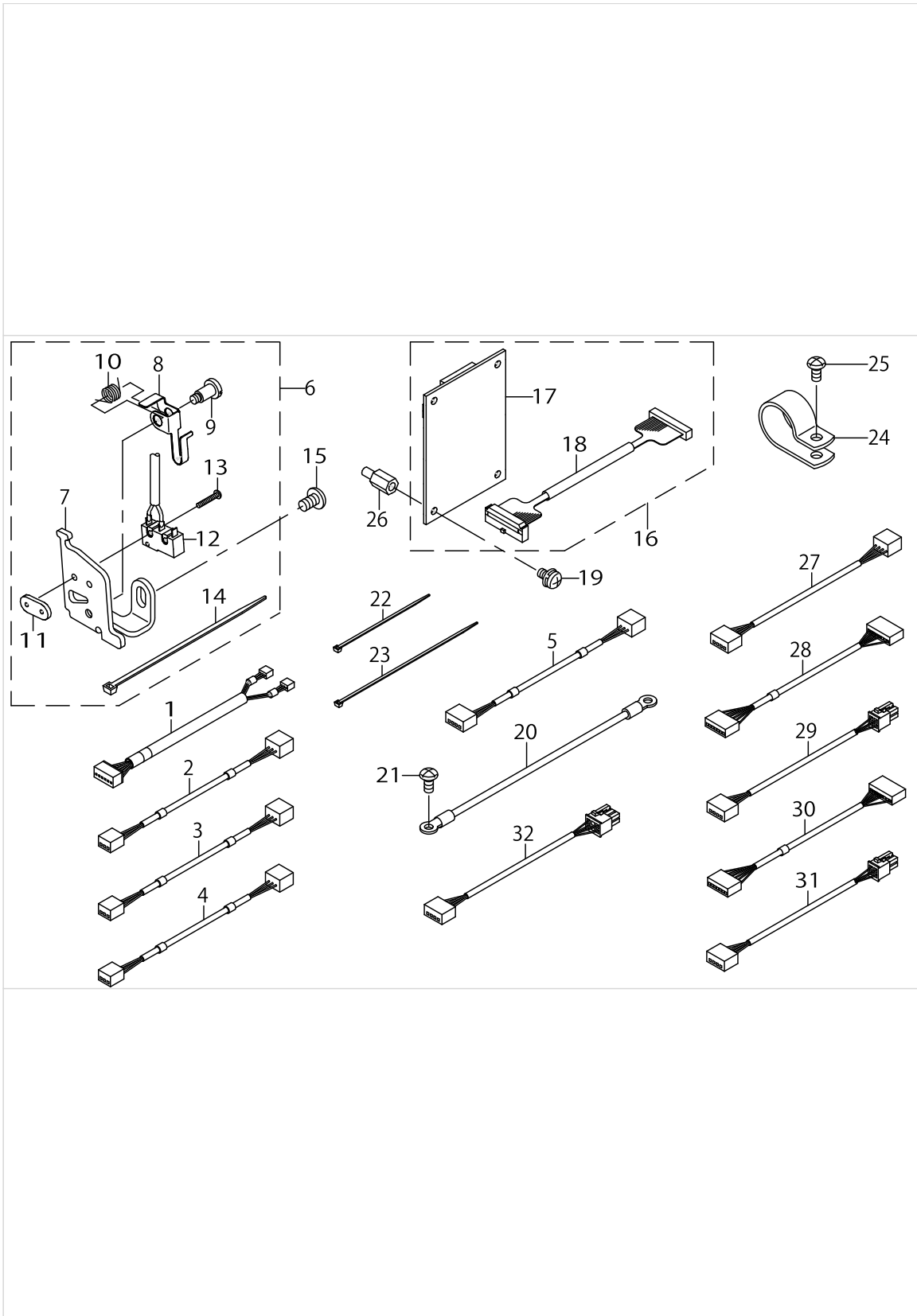
TC CLAMP COMPONENTS



TC CLAMP COMPONENTS

No.	Supply Code	Parts No.	Replacement	Parts name	Remarks	Choice	Step	Level	Cons	Qty	Rep. QTY
1		40006761		TC CLAMP						1	
2		40006762		TC CLAMP PLATE ASM.						1	
3		40006765		TC SUPPERT PLATE ASM.						1	
4		40012815		TC JOINT ASM.						1	
5		40015800		TC-LINK ASM.						1	
6		SM2360110TP		SCREW M1.6X0.2 L=1.35						2	
7		WP0320500SC		WASHER M3						1	
8		RE0200000K0		E-RING						2	
9		SD0400266TP		HINGE SCREW D=4 H=2.6						1	
10		40010589		TC BASE						1	
11		SM6040650TP		SCREW M4 L=6						4	
12		40010590		TC CAM PLATE						1	
13		40006780		TC SPRING						1	
14		40006781		TC BASE COVER						1	
15		SM6020350SP		SCREW M2 L=2.5						4	
16		40006782		TC NOTCH R						1	
17		SM4020600SP		SCREW M2 L=6						2	
18		40006777		TC NOTCH F						1	
19		SM6020450TP		SCREW						2	
20		40010527		TC DRIVING ARM ASM.						1	
21	R	40010528	40010527	TC DRIVING ARM				*		1	1.00
22	R	40011152	40010527	TC ARM SCREW				*		2	1.00
23		SD0800406TP		SHOULDER SCREW D8 H4						1	
24		40006776		TC CONNECTING LINK						1	
25		SD0350156TP		SHOULDER SCREW						1	
26		40010530		SENSOR SLIT						1	
27		SM6030502TP		BOLT M3X5						1	
28		40075079		STEPPING MOTOR						1	
29		SM6041200SP		SCREW M4 L=12						4	
30		40010531		SENSOR INSTALLING BASE						1	
31		SM6040802TP		SCREW M4X0.7 L=8						1	
32		HD00057000A		PHOTO SENSOR						2	
33		SL4031091SC		SCREW M3X10						2	
34		40010532		DUST GUARD						1	
35		SM4030601SN		SCREW M3X6						1	
36		WP0450801SP		WASHER						1	
37		WP0220300SC		WASHER						2	

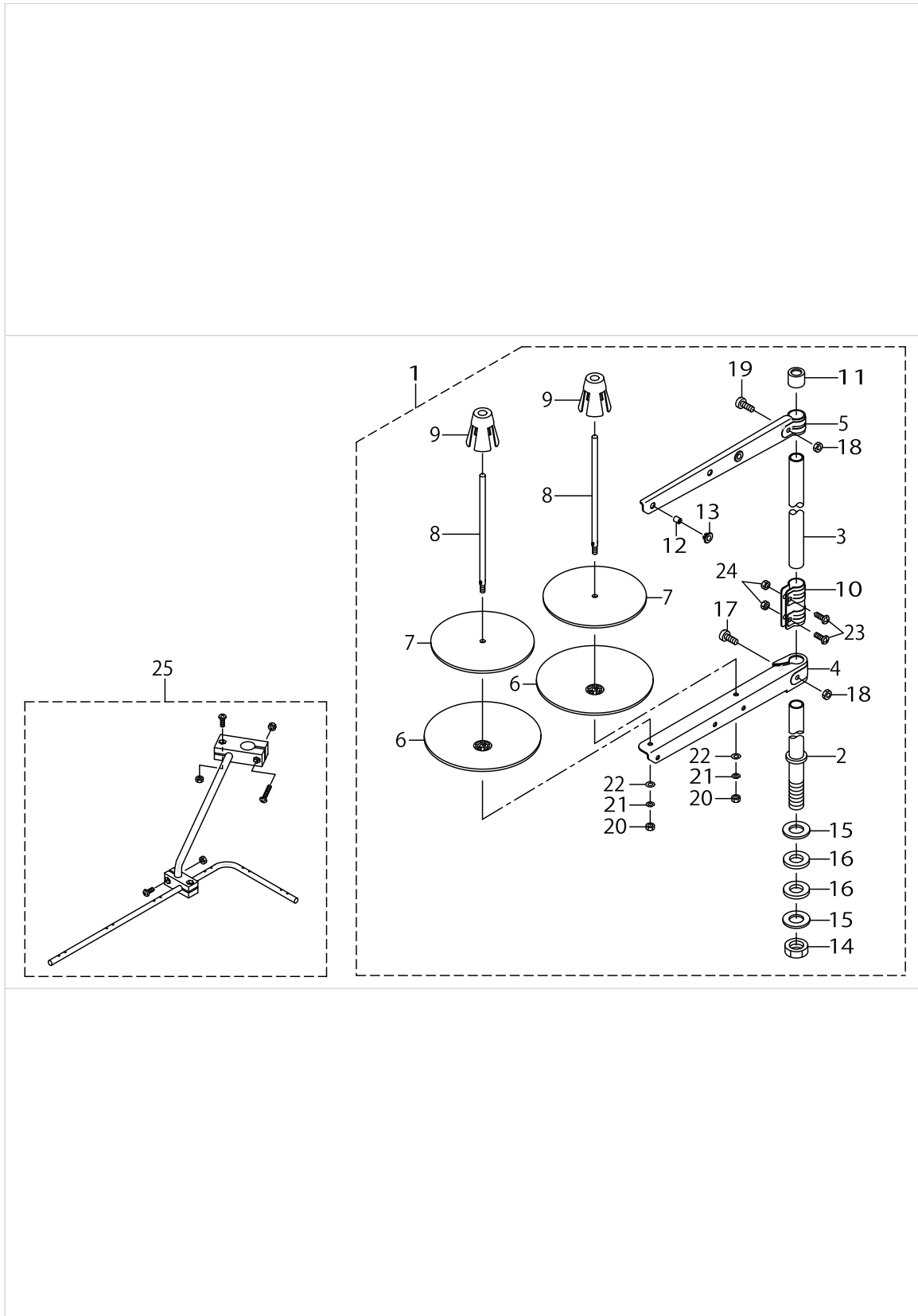
SENSOR COMPONENTS



SENSOR COMPONENTS

No.	Supply Code	Parts No.	Replacement	Parts name	Remarks	Choice	Step	Level	Cons	Qty	Rep. QTY
1		40005729		TH SENSOR CABLE ASM.						1	
2		40005731		Y SENSOR CABLE ASM.						1	
3		40005732		PF SENSOR CABLE ASM.						1	
4		40005730		X SENSOR CABLE ASM.						1	
5		40005733		TT SENSOR CABLE ASM.						1	
6		40006495		SAFETY SW ASM.						1	
7	R	40006496	40006495	SAFETY SW BASE				*		1	1.00
8		23638109		SAFETY SWITCH ARM.				*		1	
9	R	40006497	40006495	SAFETY SW ARM SHAFT				*		1	1.00
10	R	23638208	23638059	SAFETY SWITCH SPRING				*		1	1.00
11	R	23638406	23638059	SAFETY SWITCH NUT				*		1	1.00
12		40005734		SAFETY SW CABLE ASM.				*		1	
13		SM4021201SC		SCREW M2 L=12				*		2	
14		EA9500B0100		CABLE BAND				*		1	
15		SM4050855SP		SCREW						1	
16		40005664		INT PCB ASM.						1	
17	R	40005660	40005664	INT PCB				*		1	1.00
18		40005725		INT CABLE ASM.				*		1	
19		SL4040881SF		SCREW M4 L=8						4	
20		14115554		HEAD GROUND CABLE A ASM.						1	
21		SM4040855SP		SCREW						1	
22		EA9500B0100		CABLE BAND						6	
23		EA9500B0200		CABLE BAND 150						3	
24		HX00150000K		CABLE CLIP						1	
25		SM4040855SP		SCREW						1	
26		HX003390000		STUD						4	
27		40090633		THREAD CLAMP MOTOR RELAY CORD ASM.						1	
28		40073632		X ENCODER CABLE ASM.						1	
29		40090630		X FEED MOTOR RELAY CORD ASM.						1	
30		40073638		Y ENCODER CABLE ASM.						1	
31		40090631		Y FEED MOTOR RELAY CORD ASM.						1	
32		40090632		PRESSER LIFTING MOTOR RELAY CORD ASM.						1	

THREAD STAND COMPONENTS



THREAD STAND COMPONENTS

No.	Supply Code	Parts No.	Replacement	Parts name	Remarks	Choice	Step	Level	Cons	Qty	Rep. QTY
1		40096354		THREAD STAND ASM.						1	
2		40085784		SPOOL REST ROD LOWER				*		1	
3		40085785		SPOOL REST ROD UPPER				*		1	
4		40085786		SPOOL REST ARM LOWER				*		1	
5		40085787		SPOOL REST ARM UPPER				*		1	
6		40085788		SPOOL REST				*		2	
7		40085789		SPOOL REST CUSHION				*		2	
8		40085790		SPOOL PIN				*		2	
9		40085791		SPOOL RETAINER				*		2	
10		40085792		SPOOL REST ROD JOINT				*		1	
11		40085793		SPOOL REST ROD RUBBER CAP				*		1	
12		40085794		THREAD GUIDE				*		2	
13		40085795		THREAD GUIDE BUSHING				*		2	
14		40096325		SPOOL REST ROD NUT				*		1	
15		WP1612616SE		WASHER 16X30X2.6				*		2	
16		40085796		SPOOL REST ROD RUBBER CUSHION				*		2	
17		40096326		SPOOL REST ARM LOWER SCREW				*		1	
18		NM6050001SE		NUT M5				*		2	
19	R	40096327	SM4053001SE	SPOOL REST ARM UPPER SCREW				*		1	1.00
20		NM6050001SE		NUT M5				*		2	
21		WS0510002KN		SPRING WASHER M5				*		2	
22		WP0531001SC		WASHER M5				*		2	
23		SM4051405SE		SCREW M5 L=14				*		2	
24		NM6050001SE		NUT M5				*		2	
25		26910059		THREAD GUIDE ARM ASM.						1	

TABLE STAND COMPONENTS

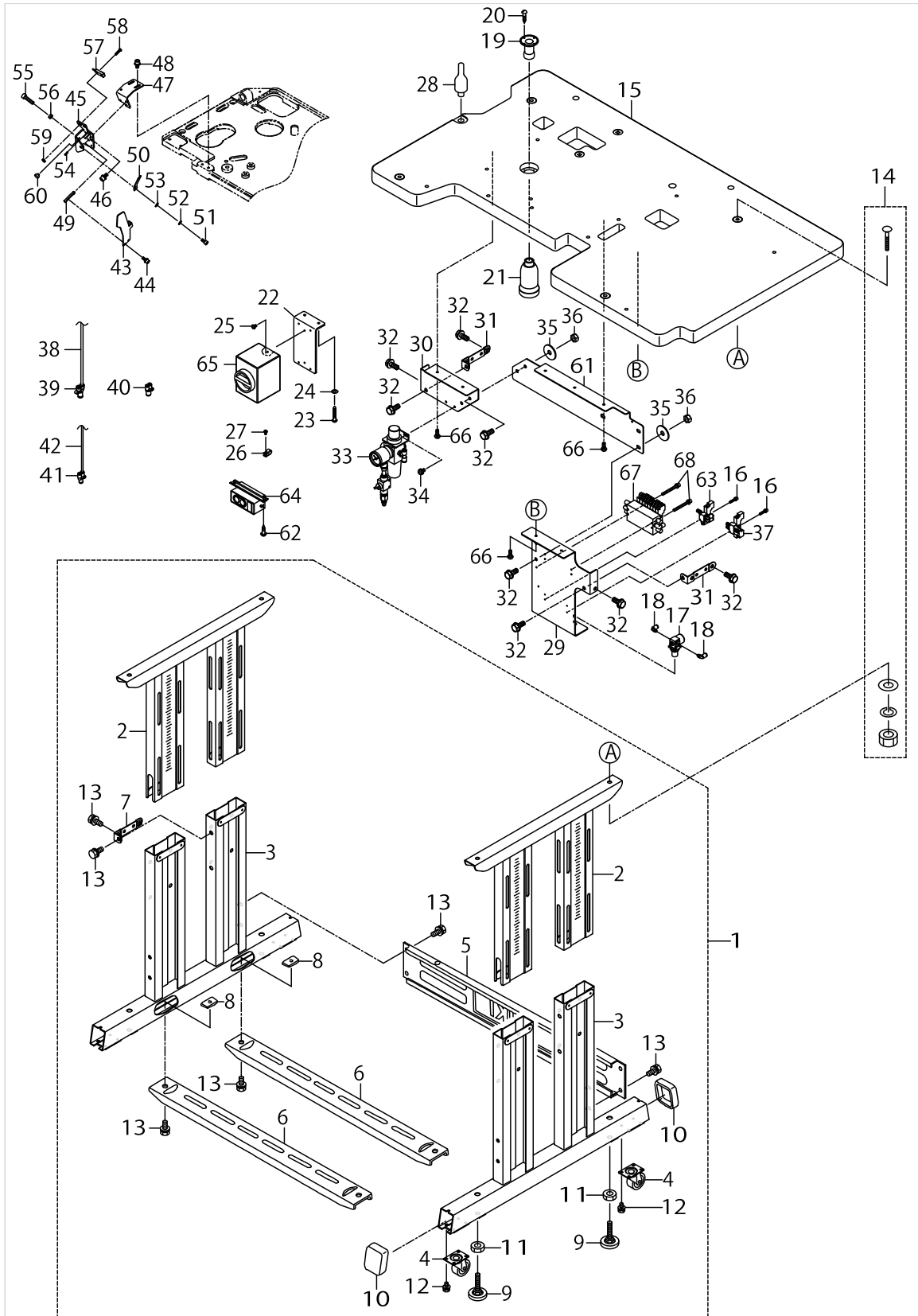


TABLE STAND COMPONENTS

No.	Supply Code	Parts No.	Replacement	Parts name	Remarks	Choice	Step	Level	Cons	Qty	Rep. QTY
1	D R	B8101221DA0	B8101221DB0	STAND ASM.		A				1	1.00
1	D R	B8101221DA0	B8110373N00	STAND ASM.		A				1	4.00
1	D R	B8101221DA0	B8150221D00	STAND ASM.		A				1	4.00
2		B8102221DA0		UPPER STAND COMPL.				*		2	
3		B8103221DA0		STAND COMPL.				*		2	
4		B8150221D00		CASTER				*		4	
5	D	11158300		STAND SIDE SUPPORT				*		1	
6		11158409		STAND SIDE SUPPORT				*		2	
7		11158516		UPPER STAND PLATE				*		4	
8		17007402		NUT				*		4	
9		17833658		ADJUSTING BOLT ASM.				*		4	
10		B8110373N00		CAP				*		4	
11		NM6120003SE		NUT M12				*		4	
12		SL9061293SE		WASHER HEXAGONAL BOLT				*		16	
13		SL9082093SE		SCREW				*		20	
14		MTJMS00000S		SCREW SET						4	
15		40103225		TABLE						1	
16		SL6031642TN		SCREW						4	
17		PF0205010C0		AIR REGULATOR						1	
18		PJ304040504		ELBOW UNION						2	
19		B8202205000		OIL MANAGEMENT						1	
20	R	SK3311600SC	SK3311601SE	WOOD SCREW D=3.1 L=16						4	1.00
21		B9121012000		OIL CAN						1	
22		40082265		MAIN SWITCH BRACKET	FOR CE					1	
23		SK3513201SE		WOOD SCREW D=5.1 L=32	FOR CE					2	
24		WP0641600SC		WASHEW6.4X12.5X1.6	FOR CE					2	
25		SM4040655SN		SCREW M4X0.7 L=6	FOR CE					2	
26		HX00150000D		CABLE CLIP	FOR CE					4	
27		SL4041091SC		SCREW M4 L=10	FOR CE					4	
28		14101208		HEAD SUPPORT BAR						1	
29		40100430		BRIDGE PLATE R						1	
30		40093485		BRIDGE PLATE L						1	
31		11158516		UPPER STAND PLATE						2	
32		SL9082093SE		SCREW						10	
33		40091545		FILTER REGULATER ASM.						1	
34		SL4051091SC		SCREW M5X0.8 L=10						2	
35		WP0852086SC		WASHER M8						4	
36		NM6080001SC		NUT M8X1.25						4	
37		40091549		VALVE ASSY B						1	
38		BT0600401EB		TUBE						2	
39		PJ308060003		UNION Y						1	
40		PJ308060005		DIFFERENT DIAMETER UNION Y						1	
41		PJ308040002		QUICK COUPLING						1	
42		BT0400251EB		URETHANE HOSE BLACK						16	
43		40067545		START SW						1	
44		SM6040802TN		SCREW						2	

TABLE STAND COMPONENTS

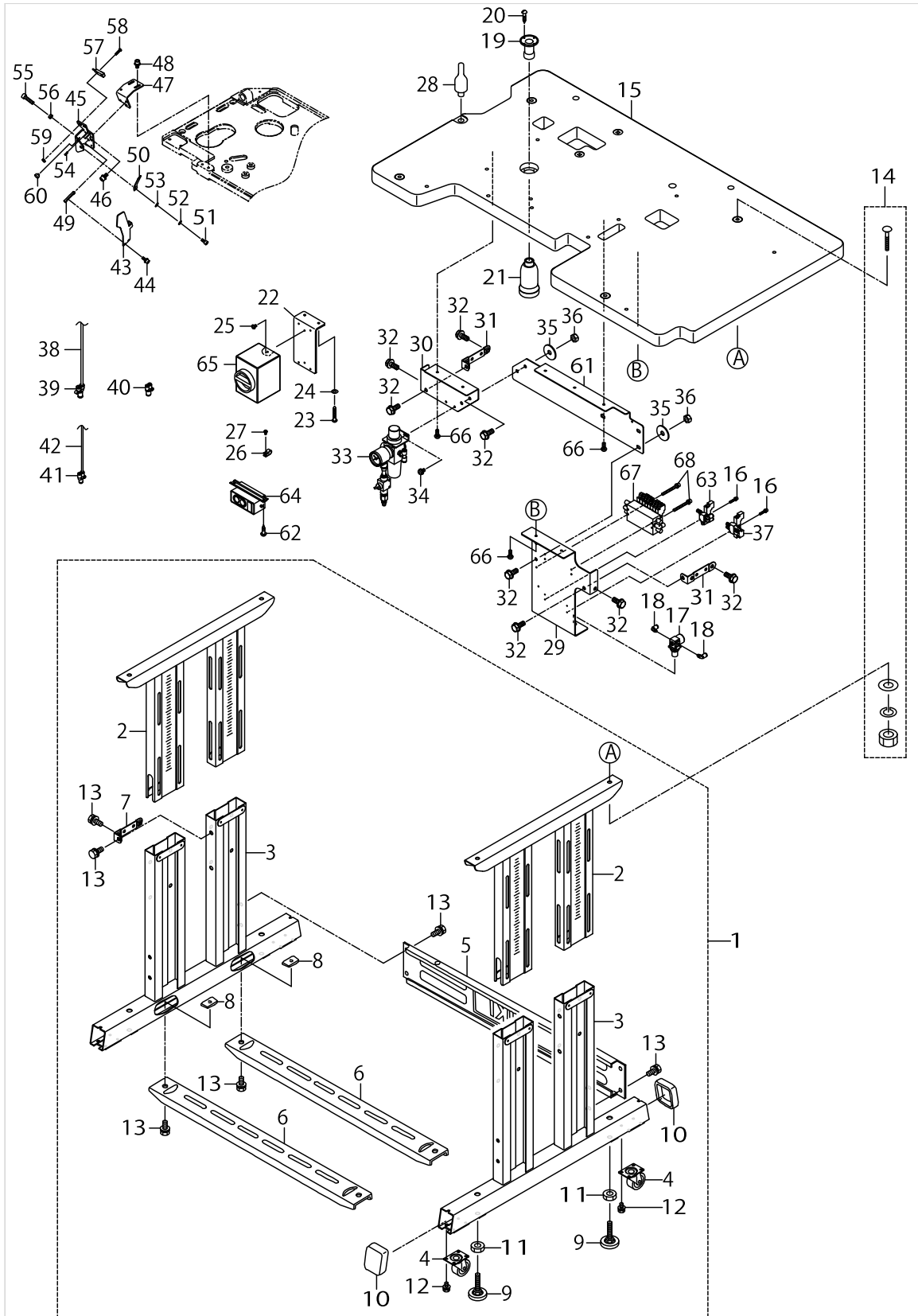
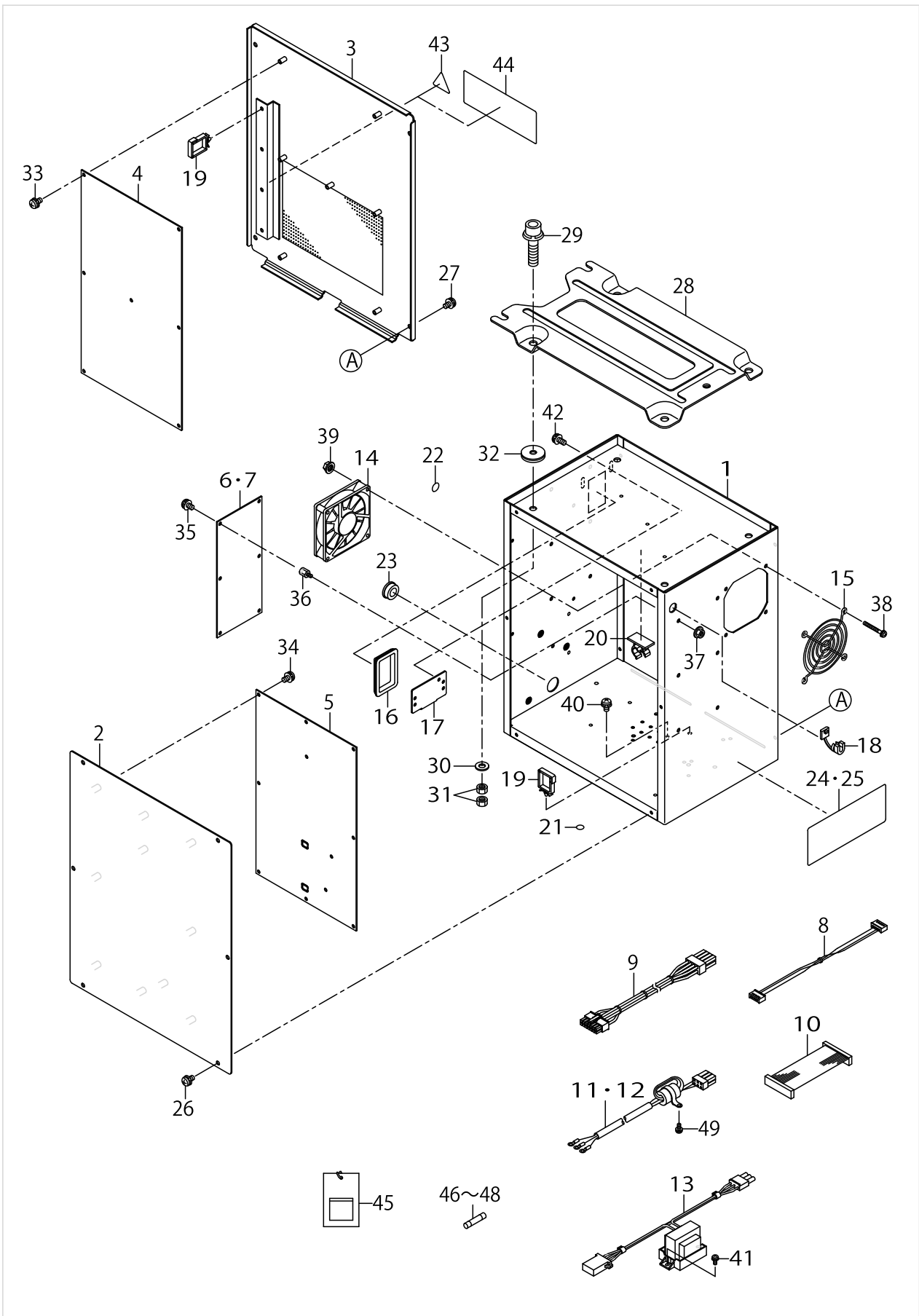


TABLE STAND COMPONENTS

No.	Supply Code	Parts No.	Replacement	Parts name	Remarks	Choice	Step	Level	Cons	Qty	Rep. QTY
45		40067541		START SW BRACKET B						1	
46		SL6051092TN		BOLT						2	
47		40067550		START SW BRACKET A						1	
48		SL6051092TN		BOLT						2	
49		17079906		START SW FULCRUM SHAFT						1	
50		17079807		START SWITCH RETURN SPRING						1	
51		SM6040602TN		BOLT						2	
52		WS0410002KN		SPRING WASHER						2	
53		WP0430800SC		WASHER M4						2	
54		PS0300102K0		SPRING PIN 3.0X10						4	
55		SM6052002TN		BOLT						1	
56		NM6050001SC		NUT M5						1	
57		40090644		START SW SENSOR ASSY						1	
58		SM4031201SC		SCREW M3X12						1	
59		NM6030003SC		NUT M3						1	
60		22955900		WIPER RUBBER A						1	
61		40101999		BRIDGE PLATE						1	
62		SK3512001SE		WOOD SCREW D=5.1 L=20	FOR GENERAL					2	
63		40091548		VALVE ASSY A						1	
64		HA004250000		SWITCH	FOR GENERAL					1	
65		HA005820000		SWITCH	FOR CE					1	
66		SK3513201SE		WOOD SCREW D=5.1 L=32						7	
67		40109086		MANIFOLD_VALVE_ASSY						1	
68		SL6044092TN		SCREW						4	

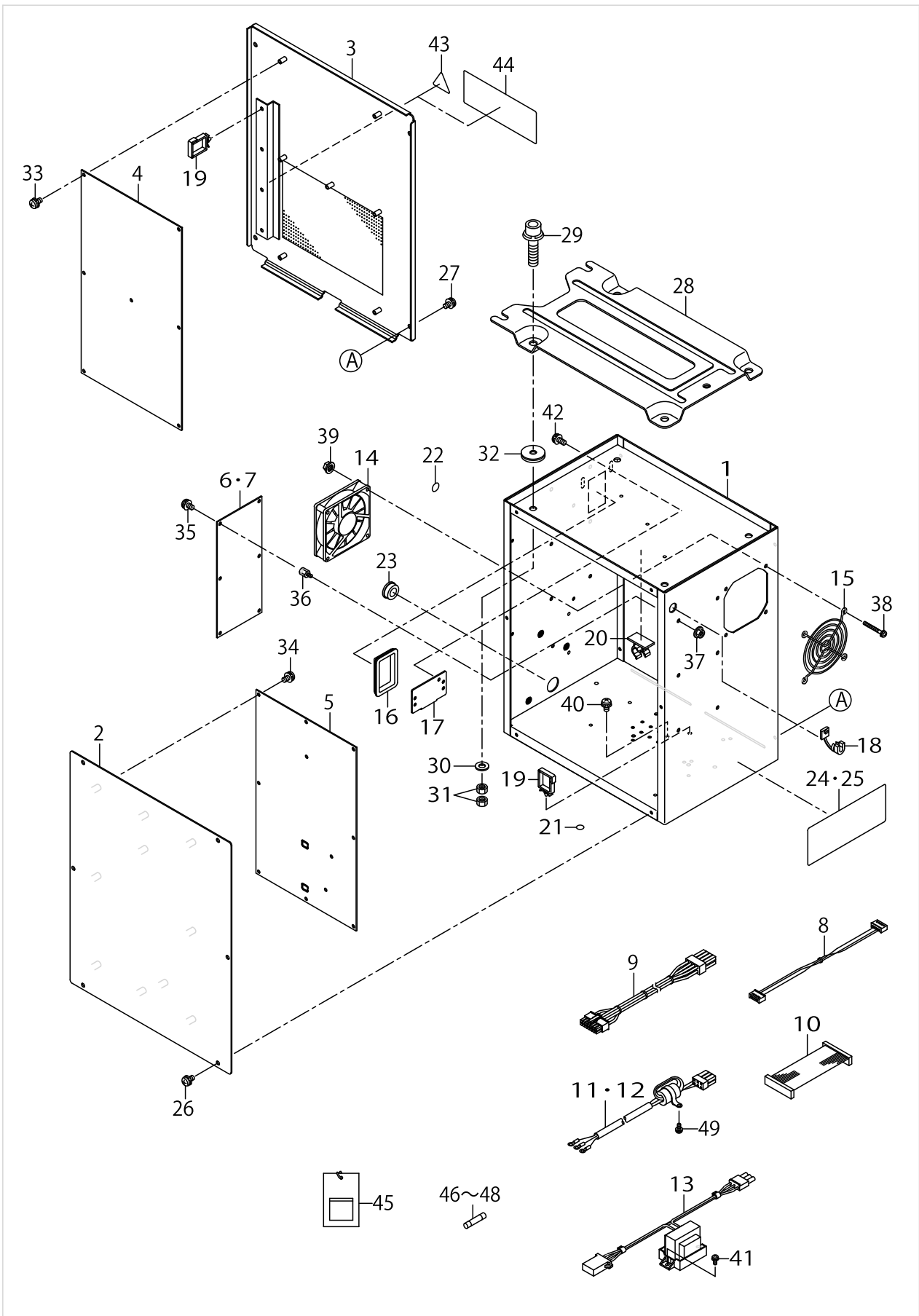
CONTROL BOX COMPONENTS



CONTROL BOX COMPONENTS

No.	Supply Code	Parts No.	Replacement	Parts name	Remarks	Choice	Step	Level	Cons	Qty	Rep. QTY
1		40055355		CONTROL BOX						1	
2		40055356		CONTROL BOX FRONT COVER						1	
3		40055357		CONTROL BOX REAR COVER						1	
4		40101200		MAIN PCB ASSY						1	
5		40082758		SDC PCB A ASSY						1	
6	R	40000046	40162838	FLT-S PCB A ASS'Y	FOR MC-6-15 CTL BOX A ASM. (-1-PHASE)					1	1.00
7		40000058		FLT-T PCB A ASS'Y CIRCUIT DIAGRAM	FOR MC-6-15 CTL BOX B ASM. (-3-PHASE)					1	
8		40005394		FLT-SDC CORD S ASS'Y						1	
9		40005726		SDC-MAIN CORD P ASSY						1	
10		40005727		SDC-MAIN CORD S ASSY						1	
11		40090587		POWERCORD A ASSY	FOR MC-6-15 CTL BOX A ASM. (-1-PHASE)					1	
12		40090588		POWERCORD B ASSY	FOR MC-6-15 CTL BOX B ASM. (-3-PHASE)					1	
13		40090589		REACTOR						1	
14		40005401		FAN MOTOR ASS'Y						1	
15		KM000000480		FAN MOTOR						1	
16		HX004070000		BUSH						1	
17		17845009		CORD FITTING PLATE						1	
18		KX000000320		BUSH						1	
19		HX005110000		WIRE SADDLE						5	
20		KX000000330		WIRE SADDLE						1	
21		E9567319000		EARTH MARK						1	
22		40003458		MASK SEAL						16	
23		HX00326000K		GROMMET						1	
24	D	40057278		ELECTRICAL RATING LABEL CE UNIVERSAL	FOR MC-6-15 CTL BOX A ASM. (-1-PHASE)					1	
25		40051640		ELECTRICAL RATING LABEL UNIVERSAL	FOR MC-6-15 CTL BOX B ASM. (-3-PHASE)					1	
26		SL4040891SC		SCREW M4 L=8						6	
27		SL4040891SC		SCREW M4 L=8						4	
28		M3801476000		CONTROL BOX FITTING PLATE						1	
29		SL6083092TN		SCREW						4	
30		WP0841601SC		WASHER 8.4X17.4X1.6						4	
31		NM6080001SC		NUT M8X1.25						8	
32		M4206461000		WASHER						4	
33		SL4040881SC		SCREW M4 L=8						4	
34		SL4040881SC		SCREW M4 L=8						10	
35		SL4040881SC		SCREW M4 L=8						6	
36		HX003390000		STUD						6	
37		NM3040520SC		NUT M4						6	

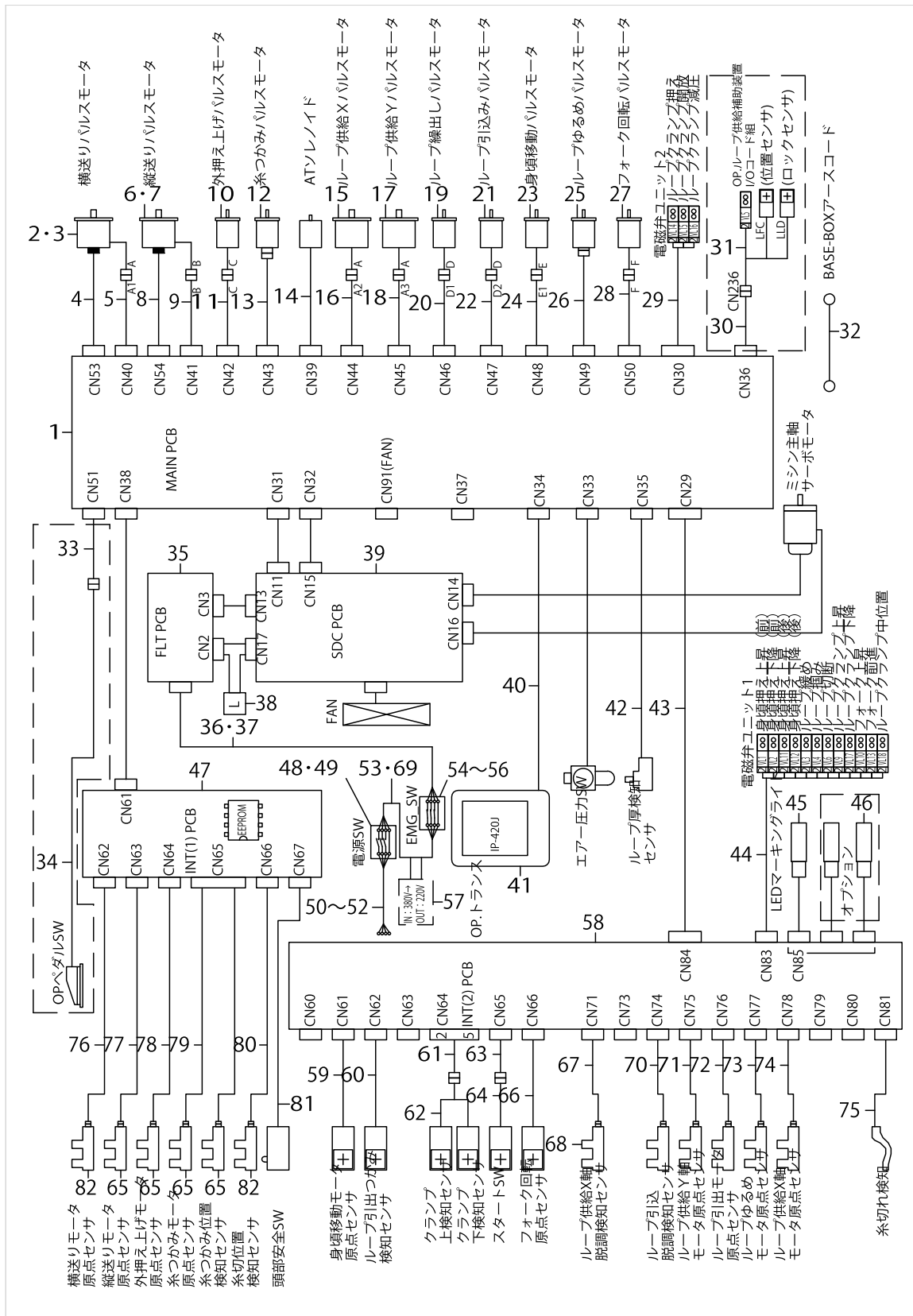
CONTROL BOX COMPONENTS



CONTROL BOX COMPONENTS

No.	Supply Code	Parts No.	Replacement	Parts name	Remarks	Choice	Step	Level	Cons	Qty	Rep. QTY
38		SL4043591SC		SCREW						4	
39		NM3040520SC		NUT M4						4	
40		SL4040891SC		SCREW M4 L=8						2	
41		SL4040881SC		SCREW M4 L=8						2	
42		SL4041091SC		SCREW M4 L=10						2	
43		CM300100001		LABEL	FOR MC-6-15 CTL BOX A ASM. (-1-PHASE)					1	
44		CM300100402		VOLTAGE DANGER LABEL 3 SMALL	FOR MC-6-15 CTL BOX B ASM. (-3-PHASE)					1	
45		M300451100A		VOLTAGE INDICATION CARD A						1	
46		HF00130315S		FUSE 3.15A 250V REF. NO.112						1	
47		HF0013050P0		FUSE 5A						1	
48		HF003000200		FUSE 2A (220/240V)						1	
49		SL4041081SC		SCREW M4 L=10	FOR MC-6-15 CTL BOX A ASM. (-1-PHASE)					1	

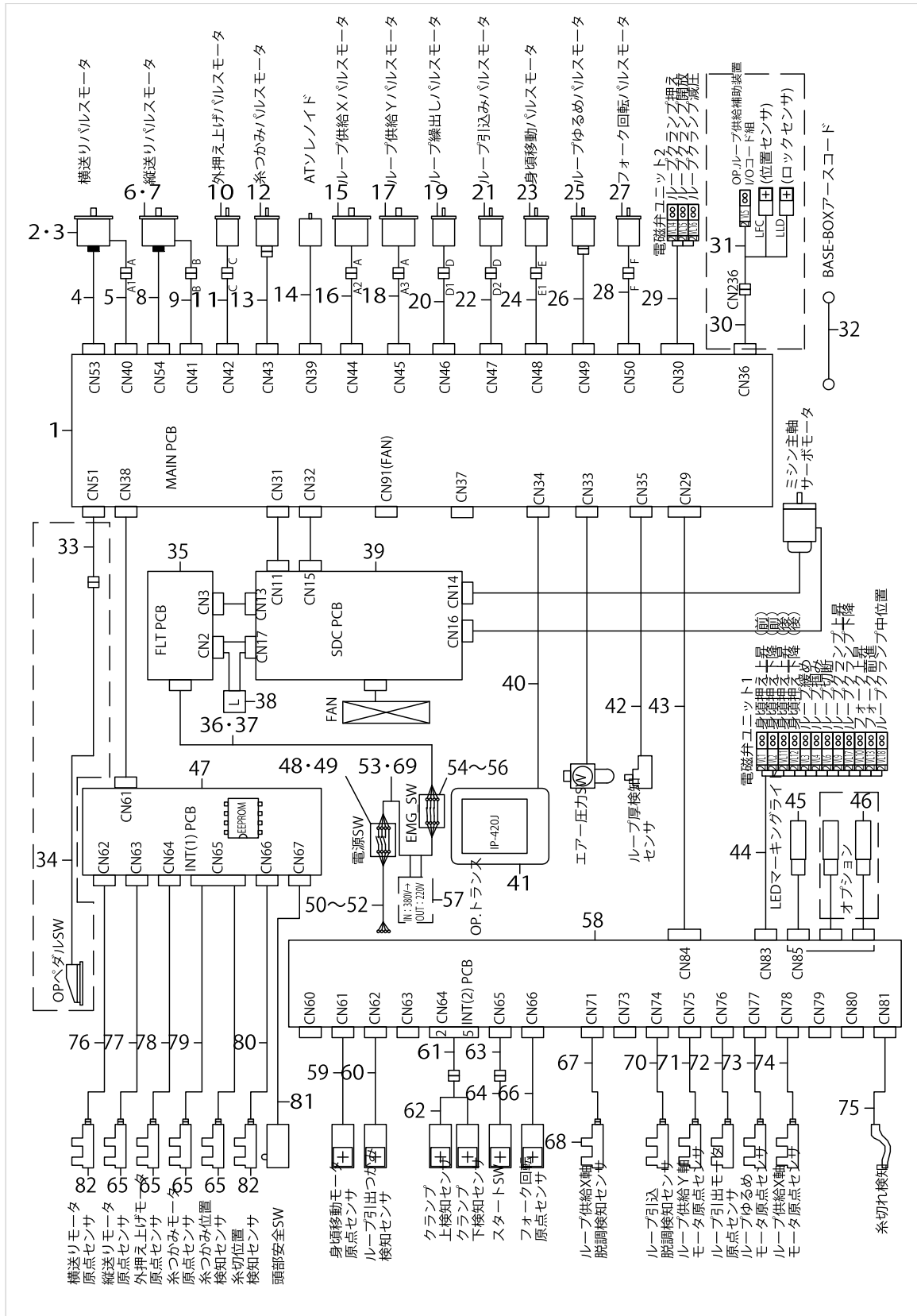
WIRING DIAGRAM



WIRING DIAGRAM

No.	Supply Code	Parts No.	Replacement	Parts name	Remarks	Choice	Step	Level	Cons	Qty	Rep. QTY
1		40101200		MAIN PCB ASSY						1	
2		40090626		X FEED MOTOR						1	
3		HD002780000		SENSOR						1	
4		40073632		X ENCODER CABLE ASM.						1	
5		40090630		X FEED MOTOR RELAY CORD						1	
6		40090627		Y FEED MOTOR						1	
7		HD002780000		SENSOR						1	
8		40073638		Y ENCODER CABLE ASM.						1	
9		40090631		Y FEED MOTOR RELAY CORD						1	
10		40090628		PRESSER LIFT MOTOR						1	
11		40090632		PRESSER LIFTING MOTOR RELAY CORD						1	
12		40075079		STEPPING MOTOR						1	
13		40090633		THREAD CLAMP MOTOR RELAY CORD						1	
14		40006628		AT_SOLENOID						1	
15		40090626		X FEED MOTOR						1	
16		40090569		LOOP SUPPLY MOTOR(X)RELAY CORD ASM.						1	
17		40090626		X FEED MOTOR						1	
18		40090570		LOOP SUPPLY MOTOR(Y) RELAY CORD						1	
19		40090634		LOOP FEED MOTOR						1	
20		40090571		LOOP FEED MOTOR RELAY CORD ASSY						1	
21		40090634		LOOP FEED MOTOR						1	
22		40090572		LOOP PULL MOTOR RELAY CORD ASSY						1	
23		40090635		CLOTH FEED MOTOR						1	
24		40090573		CLOTH FEED MOTOR RELAY CORD ASSY						1	
25		40044473		ROLLER STACKER MOTOR						1	
26		40090574		LOOP LOOSE MOTOR RELAY CORD ASSY						1	
27		40090636		FORK TURN MOTOR						1	
28		40090575		FORK TURN MOTOR RELAY CORD ASSY						1	
29		40090650		AIR SOLENOID VALVE CORD 2						1	
30		40090653		LOOP FEED ASSIST DEVICE RELAY ASSY						1	
31		40090652		LOOP FEED ASSIST DEVICE I/O CORD ASSY						1	
32		M90206200A0		EARTH CORD ASM.						1	
33		40073659		SWRELAYCORDASM.						1	
34		40090639		FOOT SWITCH ASSY						1	
35	R	40000046	40162838	FLT-S PCB A ASSY						1	1.00
36		40090587		POWERCORDAASSY	FOR 1-PHASE (200~240V)					1	
37		40090588		POWERCORDBASSY	FOR 3-PHASE (200~240V), 1-PHASE (100~120V)					1	
38		40090589		REACTOR						1	
39		40082758		SDC PCB A ASSY						1	
40		40065566		PANEL CABLE D ASM.						1	

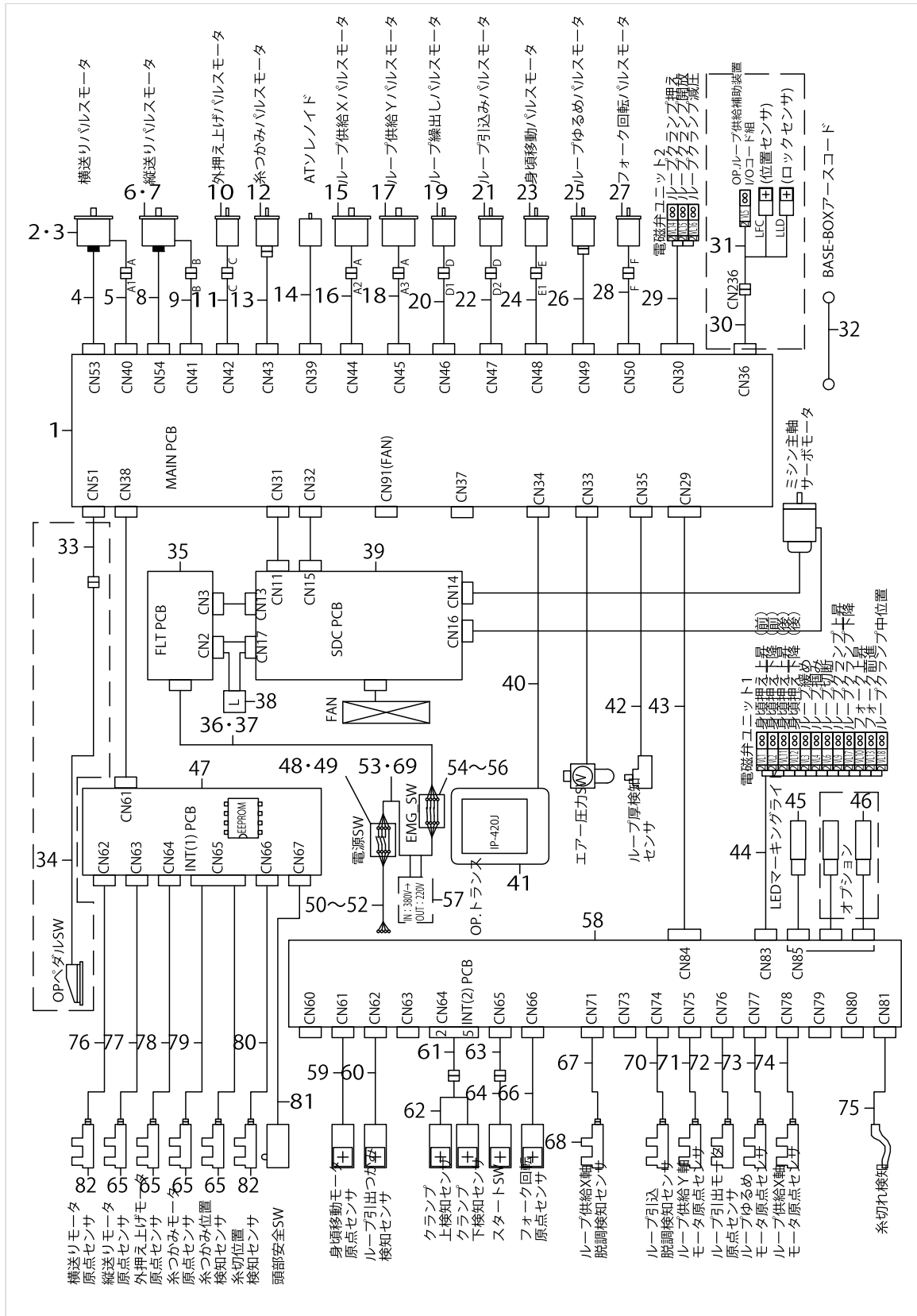
WIRING DIAGRAM



WIRING DIAGRAM

No.	Supply Code	Parts No.	Replacement	Parts name	Remarks	Choice	Step	Level	Cons	Qty	Rep. QTY
41		40090622		IP-420J PANEL ASM.						1	
42		40090638		LOOP SENSOR ASSY						1	
43		40043977		INT-I/F CORD A ASM.						1	
44		40090649		AIR SOLENOID VALVE CORD						1	
45		40090637		LED MARKING						1	
46		40090637		LED MARKING						1	
47		40005664		INT PCB ASM.						1	
48		HA004250000		SWITCH	FOR GENERAL					1	
49		HA005820000		SWITCH	FOR CE					1	
50		40058397		AC POWER CORD B ASM.	FOR 1-PH-ASE (200~240V)					1	
51		40058398		AC POWER CORD C ASM.	FOR 3-PH-ASE (200~240V), 1-PHASE (100~120V)					1	
52		40070548		AC POWER CORD E ASM.	FOR 380~415V					1	
53		40090584		EMG POWER CORD ASSY	FOR GENERAL					1	
54		HA006280000		SWITCH						1	
55		HA006280010		SWITCH						1	
56		HA006280020		SWITCH						1	
57		40005422		HIGH VOLTAGE TRANSFORMER ASSY	FOR 380~415V					1	
58		40025260		INT PCB ASSY						1	
59		40090642		CLOTH FEED ORG SENSOR ASSY						1	
60		40090643		LOOP CATCH DETECT SENSOR ASSY						1	
61		40090657		LOOP CLAMP U/D SENSOR RELAY CORD ASM.						1	
62		40090647		LOOP CLAMP U/D DETECT SENSOR ASM.						1	
63		40090655		START SW RELAY CORD ASSY						1	
64		40090644		START SW SENSOR ASSY						1	
65		HD00057000A		PHOTO SENSOR						4	
66		40090645		FORK TURN MOTOR ORG SENSOR ASSY						1	
67		40090577		LOOP SUPPLY MOTOR(X)STEP-OUT CORD ASM.						1	
68		HD00057000A		PHOTO SENSOR						6	
69		40107527		EMG POWER CORD CE ASSY	FOR CE					1	
70		40090581		LOOP PULL MOTOR STEP-OUT SENSOR CORD ASM						1	
71		40090578		LOOP SUPPLY MOTOR(Y)ORG SENSOR CORD ASM.						1	
72		40090580		LOOP PULL MOTOR ORG SENSOR CORD ASM.						1	
73		40090582		LOOP LOOSE MOTOR ORG SENSOR CORD ASM.						1	
74		40090576		LOOP SUPPLY MOTOR(X)ORG SENSOR CORD ASM.						1	
75		40090646		THB SENSOR CABLE ASSY						1	
76		40005730		X SENSOR CABLE ASM.						1	
77		40005731		Y SENSOR CABLE ASM.						1	
78		40005732		PF SENSOR CABLE ASM.						1	
79		40005729		TH SENSOR CABLE ASM.						1	
80		40005733		TT SENSOR CABLE ASM.						1	

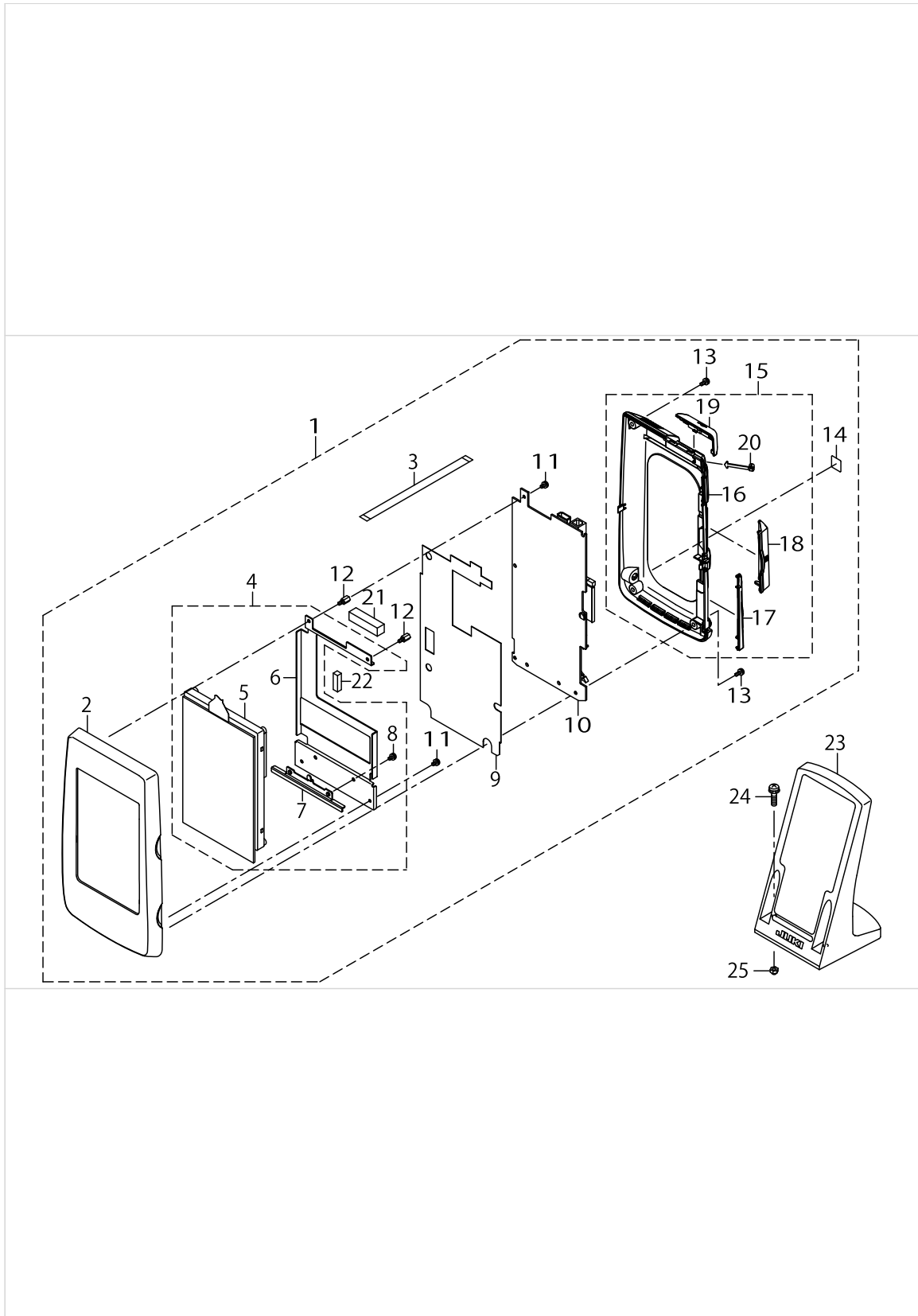
WIRING DIAGRAM



WIRING DIAGRAM

No.	Supply Code	Parts No.	Replacement	Parts name	Remarks	Choice	Step	Level	Cons	Qty	Rep. QTY
81		40005734		SAFETY SW CABLE ASM.						1	
82		HD002230000		PHOTO SENSOR						2	

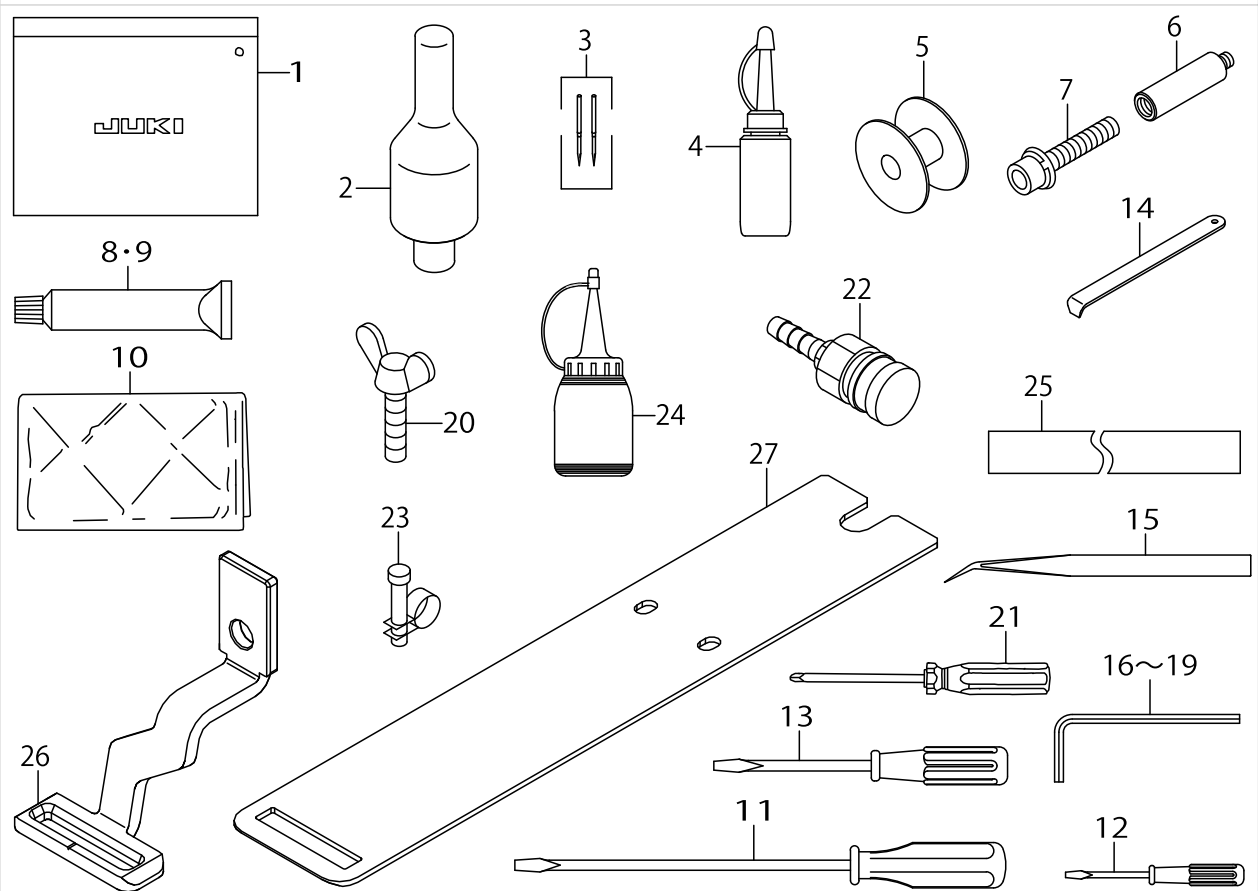
OPERATION PANEL COMPONENTS



OPERATION PANEL COMPONENTS

No.	Supply Code	Parts No.	Replacement	Parts name	Remarks	Choice	Step	Level	Cons	Qty	Rep. QTY
1	R	40086192	40181848	PANEL ASSY						1	1.00
2		40078163		FRONT CASE				*		1	
3	R	HW002180200	HW002650330	FLAT CABLE		A		*		1	1.00
3	R	HW002180200	40083668	FLAT CABLE		A		*		1	1.00
3	R	HW002180200	40086541	FLAT CABLE		A		*		1	1.00
3	R	HW002180200	40166481	FLAT CABLE		A		*		1	1.00
3	R	HW002180200	40166318	FLAT CABLE		A		*		1	1.00
4		40080800		LCD ASSY				*		1	
5		40086541		LCD TOUCH PANEL ASSY	TECHNICAL INFOMATI- ON (A16-029)			*		1	
6		40083668		LCD BRACKET	TECHNICAL INFOMATI- ON (A16-029)			*		1	
7	R	40083666	40080800	LCD STAY				*		1	1.00
8		SL4030681SC		SCREW M3 L=6				*		2	
9		40078168		INSULATION SHEET				*		1	
10	R	40083960	40086541	PANEL PCB ASSY		A		*		1	1.00
10	R	40083960	40083668	PANEL PCB ASSY		A		*		1	1.00
10	R	40083960	40166481	PANEL PCB ASSY		A		*		1	1.00
10	R	40083960	40166318	PANEL PCB ASSY		A		*		1	1.00
10	R	40083960	HW002650330	PANEL PCB ASSY		A		*		1	1.00
11		SL4030681SC		SCREW M3 L=6				*		3	
12		HX00354000B		PCB SUPPORT L=8MM				*		2	
13		SL4030881SC		SCREW M3 L=8				*		4	
14		CM600100101		WEEE MARK LABEL S				*		1	
15		40080799		REAR CASE ASSY				*		1	
16	R	40078166	40080799	REAR CASE				*		1	1.00
17		40078162		CONNECTOR COVER				*		1	
18		40083667		CF COVER				*		1	
19		40078167		USB COVER				*		1	
20		40078164		UNITY STRING				*		1	
21		40096507		GASKET A				*		1	
22		40096508		GASKET B				*		1	
23		40035024		OPERATION BOX FI- XED PLATE(B)ASM.						1	
24		SL4042591SC		SCREW M4 L=25						2	
25		NM7040062SB		NUT M4						2	

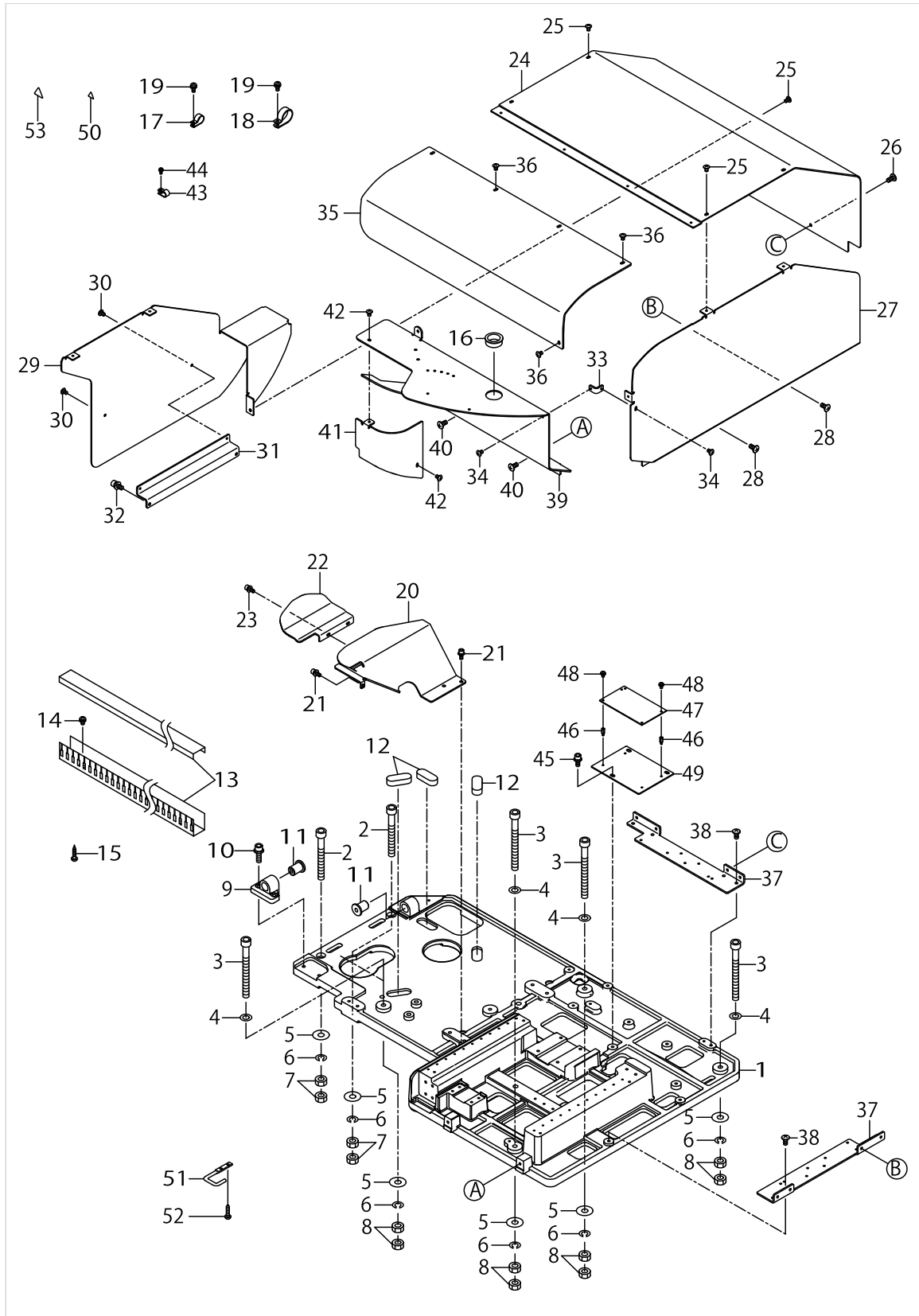
ACCESSORIES PARTS COMPONENTS



ACCESSORIES PARTS COMPONENTS

No.	Supply Code	Parts No.	Replacement	Parts name	Remarks	Choice	Step	Level	Cons	Qty	Rep. QTY
1		22932800		ACCESSORIE BAG						1	
2		14101208		HEAD SUPPORT BAR						1	
3	R	MDP170B1402	MDP170B1400	NEEDLE DPX17#14-2						1	1.00
4		B91212200A0		OILER (CONTAINING NO.2 OIL)						1	
5		13812102		BOBBIN						1	
6		40036110		GREASE JOINT B						1	
7		SM6084002TN		SCREW M8 L=40						1	
8		40013640		JUKI GREASE B TUBE						1	
9		40006323		JUKI GREASE A TUBE						1	
10		40049817		COVER						1	
11		22933006		SCREW DRIVER LARGE						1	
12		22933204		SCREW DRIVER SMALL						1	
13		22933105		SCREW DRIVER MIDDLE						1	
14		B9101490000		DRIVER						1	
15		12288403		TWEEZERS						1	
16		J106600000C		HEXAGONAL WRENCH KEY 2.5						1	
17		J106600000D		HEXAGONAL WRENCH KEY						1	
18		J106600000F		HEXAGONAL WRENCH KEY						1	
19		J106600000G		HEXAGONAL WRENCH KEY						1	
20	D	GES01022000		VERTICAL ADJUSTMENT SCREW						2	
21		J1071000000		CROSS SCREW DRIVER 2						1	
22		PJ309520001		SOCKET						1	
23		PB000010000		HOSE BAND						1	
24		J1067000A00		OILER						1	
25		40066088		TAPE						.4	
26		40066686		WORK_CLAMP_FOOT_B						1	
27		40066744		FEED_PLATE_B						1	

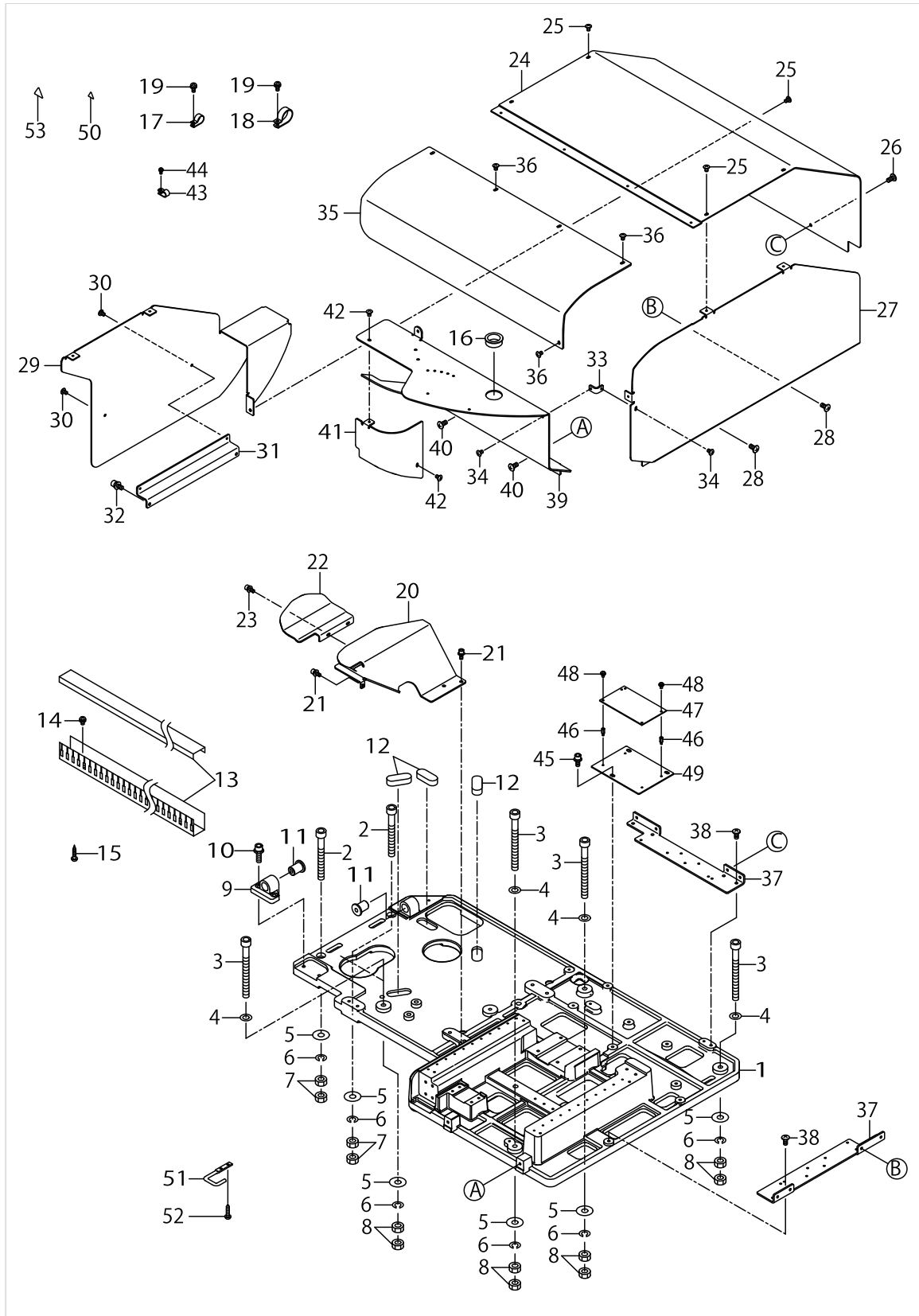
MECHANISM & MISCELLANEOUS COVER COMPONENTS



MECHANISM & MISCELLANEOUS COVER COMPONENTS

No.	Supply Code	Parts No.	Replacement	Parts name	Remarks	Choice	Step	Level	Cons	Qty	Rep. QTY
1		40093466		UNIT BASE						1	
2		SM6087002TN		SCREW M8 L=70						2	
3		SM6088502TP		SCREW M8 L=85						4	
4		WP0841601SC		WASHER 8.4X17.4X1.6						4	
5		WP0852086SC		WASHER M8						6	
6		WS0820002KN		SPRING WASHER M8						6	
7		NM6080001SC		NUT M8X1.25						4	
8		NM6080003SC		NUT M8						8	
9		G5506254000		FRAME FIXING HINGE						1	
10		SL6062042TN		BOLT						2	
11		40068638		BASE PLATE BUSH						2	
12		40093468		RUBBER PAD						3	
13		HX000130000		CONDUIT						.25	
14		SL4041091SC		SCREW M4 L=10						4	
15		SK3382001SE		SCREW D=3.8 L=20						3	
16		HX00188000E		BUSH						1	
17		HX00150000H		CABLE CLIP						3	
18		HX00150000N		CABLE CLIP						2	
19		SL4041091SC		SCREW M4 L=10						5	
20		40092994		SAFETY COVER						1	
21		SL6041092TN		SCREW						3	
22		40092995		SAFETY COVER SUB						1	
23		SL6041092TN		SCREW						2	
24		40093438		ROOF COVER						1	
25		SM0040601SC		SCREW M4X0.7 L=6						5	
26		SM0051001SC		SCREW						2	
27		40093437		RIGHT COVER						1	
28		SM0051001SC		SCREW						2	
29		40093435		LEFT COVER						1	
30		SM0040601SC		SCREW M4X0.7 L=6						2	
31		40093436		LEFT COVER BR						1	
32		SL6051292TN		BOLT						2	
33		40075985		COVER ANGLE						1	
34		SM0040601SC		SCREW M4X0.7 L=6						2	
35		40093439		WINDOW COVER						1	
36		SM0040601SC		SCREW M4X0.7 L=6						6	
37		40093450		SBC BRACKET L						2	
38		SM0051001SC		SCREW						4	
39		40103226		FRONT COVER						1	
40		SM0051001SC		SCREW						2	
41		40093434		FRONT UNDER COVER						1	
42		SM0040601SC		SCREW M4X0.7 L=6						2	
43		HX00150000D		CABLE CLIP						4	
44		SL4040891SC		SCREW M4 L=8						4	
45		SL6051292TN		BOLT						3	
46		HX00056000B		SPACER						4	

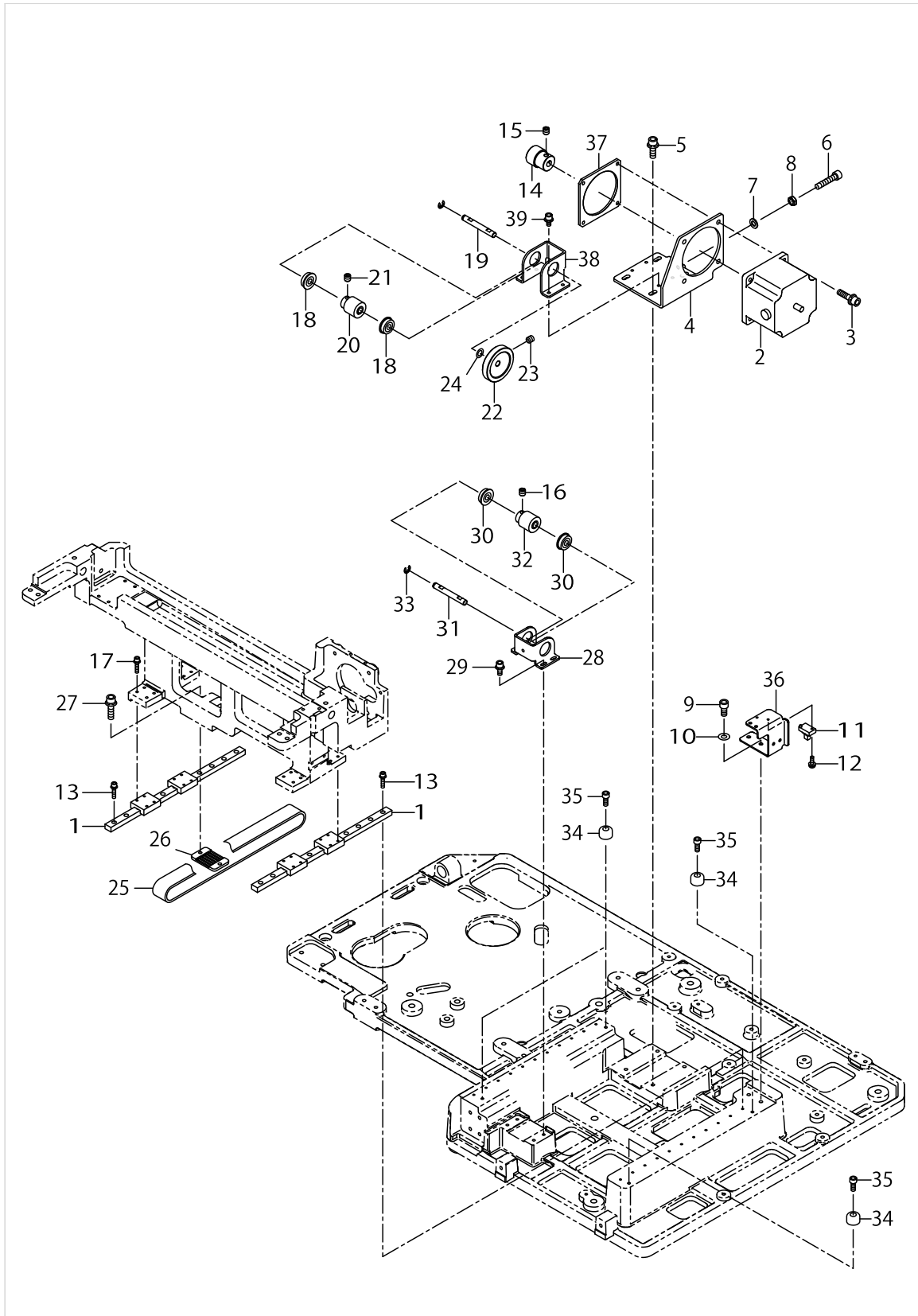
MECHANISM & MISCELLANEOUS COVER COMPONENTS



MECHANISM & MISCELLANEOUS COVER COMPONENTS

No.	Supply Code	Parts No.	Replacement	Parts name	Remarks	Choice	Step	Level	Cons	Qty	Rep. QTY
47		40025260		INT PCB ASSY						1	
48		SL4030691SC		SCREW M3X6						4	
49		40100431		INT PCB PLATE						1	
50		CM300200001		ATTENTION SEAL						3	
51		40110938		LOOP GUIDE	WITHOUT LOOP PULL SUPPORT (AB-1351**A*)					1	
52		SK3382001SE		SCREW D=3.8 L=20	WITHOUT LOOP PULL SUPPORT (AB-1351**A*)					2	
53		CM300200002		CAUTION LABEL(25)						4	

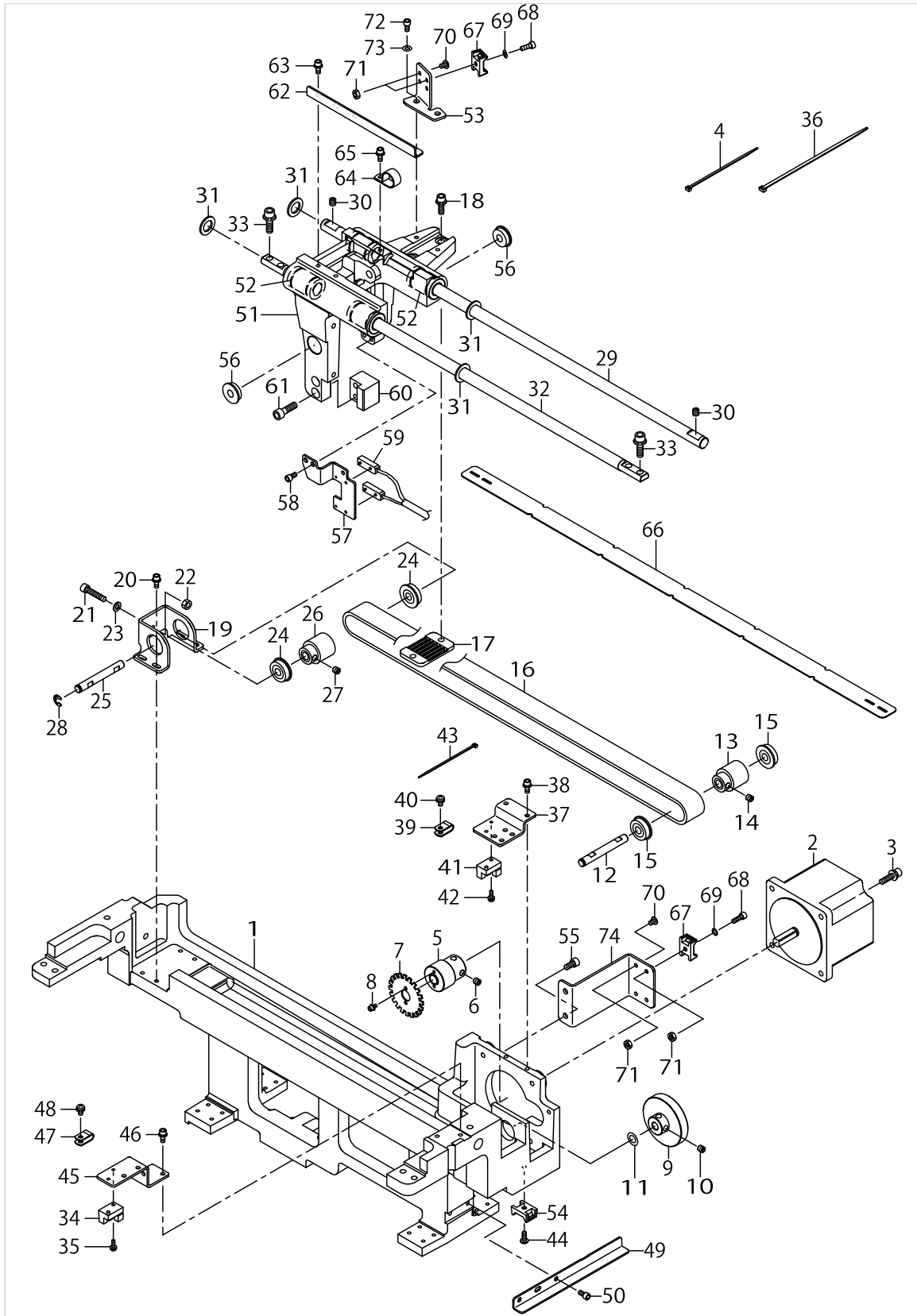
Y MOVEMENT COMPONENTS



Y MOVEMENT COMPONENTS

No.	Supply Code	Parts No.	Replacement	Parts name	Remarks	Choice	Step	Level	Cons	Qty	Rep. QTY
1		40109547		L_LINEAR_GUIDE						2	
2		40090626		X FEED MOTOR						1	
3		SL6052092TN		SCREW						4	
4		40111144		Y_MOTOR_BRAKET						1	
5		SL6051692TN		BOLT						4	
6		SM6052502TN		HEXAGONAL-HOLE BOLT						1	
7		WP0531001SC		WASHER						1	
8		NM6050003SC		NUT M5X0.8						1	
9		SM6051002TN		BOLT						2	
10		WP0531001SC		WASHER						2	
11		HD00057000A		PHOTO SENSOR						1	
12		SL4031081SC		SCREW M3X10						2	
13		SL6031492TN		SCREW M3 L=14						16	
14		40066844		DRIVE GEAR						1	
15		SM8060602TP		SCREW M6X6						2	
16		SM8060612TP		SCREW M6 L=6						2	
17		SL6031492TN		SCREW M3 L=14						16	
18		SB108000500		RADIAL BEARING						2	
19		40077178		DRIVE SPROCKET SHAFT						1	
20		40109552		DRIVE_SPROCKET						1	
21		SM8060612TP		SCREW M6 L=6						2	
22		40066845		IDLER GEAR 66						1	
23		SM8060612TP		SCREW M6 L=6						2	
24		WP0820526SD		WASHER 8.2X14X0.5						1	
25		40109551		TIMING_BELT						1	
26		40032219		BELT RECEIVER						1	
27		SL6052092TN		SCREW						2	
28		40032191		Y DRIVEN BRACKET						1	
29		SL6041092TN		SCREW						4	
30		SB108000500		RADIAL BEARING						2	
31		40077178		DRIVE SPROCKET SHAFT						1	
32		40109552		DRIVE_SPROCKET						1	
33		RE0600000K0		E-RING 6						1	
34		G5009172000		STOPPER RUBBER						4	
35		SL6041242TN		BOLT						4	
36		40091420		SENSOR BRACKET Y						1	
37		40123249		Y_MOTOR_NUT_PLATE						1	
38		40111143		Y_DRIVEN_BRAKET						1	
39		SL6040892TN		BOLT						4	

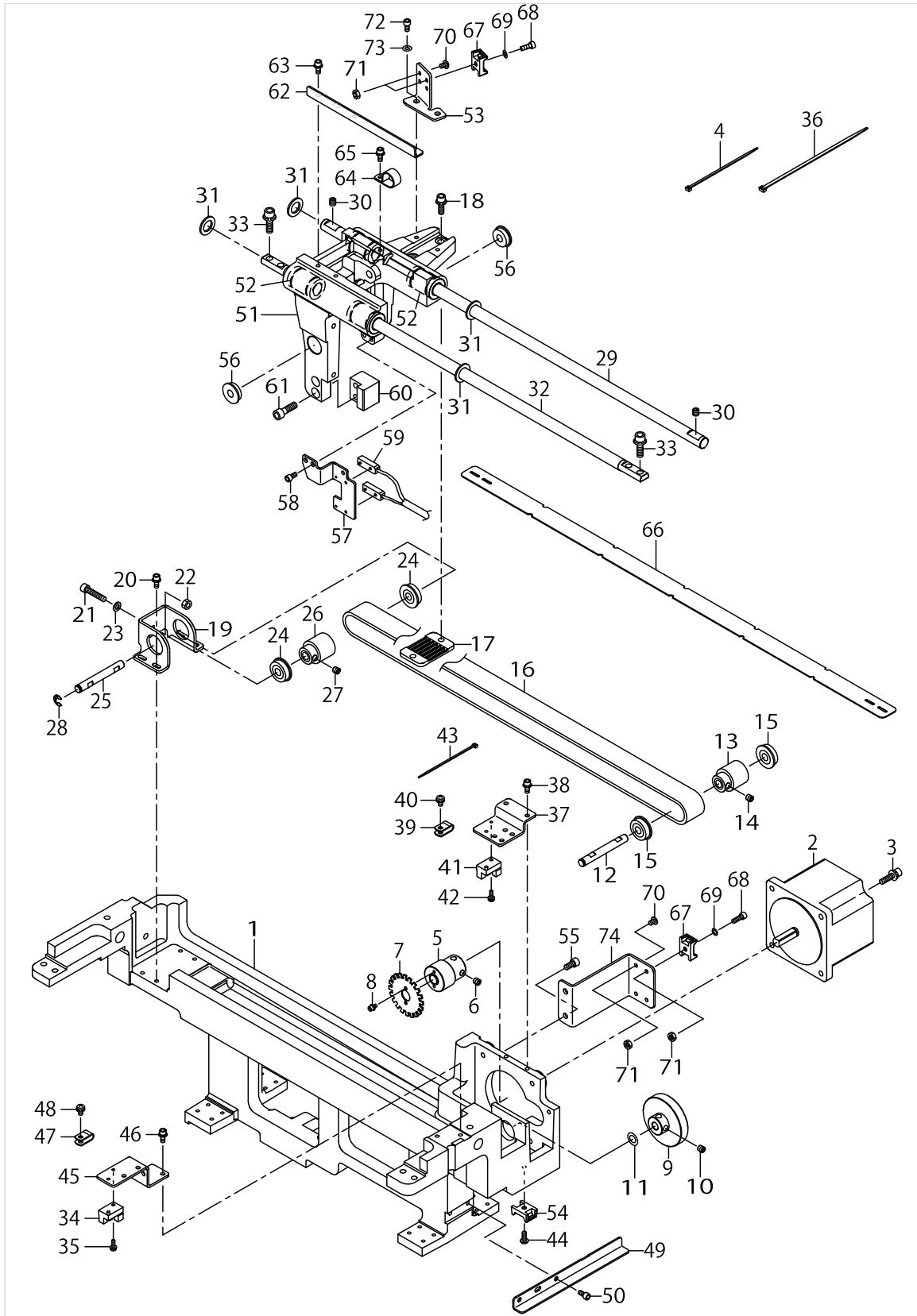
X MOVEMENT COMPONENTS



X MOVEMENT COMPONENTS

No.	Supply Code	Parts No.	Replacement	Parts name	Remarks	Choice	Step	Level	Cons	Qty	Rep. QTY
1		40091457		XY BASE						1	
2		40090626		X FEED MOTOR						1	
3		SL6052092TN		SCREW						4	
4		EA9500B0100		CABLE BAND						20	
5		40066844		DRIVE GEAR						1	
6		SM8060602TP		SCREW M6X6						2	
7		40078127		DETECTIVE PLATE						1	
8		SM6030502TN		SCREW M3 L=5						2	
9		40066845		IDLER GEAR 66						1	
10		SM8060612TP		SCREW M6 L=6						2	
11		WP0820526SD		WASHER 8.2X14X0.5						1	
12		40077178		DRIVE SPROCKET SHAFT						1	
13		40109552		DRIVE_SPROCKET						1	
14		SM8060612TP		SCREW M6 L=6						2	
15		SB108000500		RADIAL BEARING						2	
16		40109550		TIMING_BELT						1	
17		40032219		BELT RECEIVER						1	
18		SL6051692TN		BOLT						2	
19		40032191		Y DRIVEN BRACKET						1	
20		SL6041092TN		SCREW						4	
21		SM6052502TN		HEXAGONAL-HOLE BOLT						1	
22		NM6050001SC		NUT M5						1	
23		WP0531001SC		WASHER						1	
24		SB108000500		RADIAL BEARING						2	
25		40077178		DRIVE SPROCKET SHAFT						1	
26		40109552		DRIVE_SPROCKET						1	
27		SM8060612TP		SCREW M6 L=6						2	
28		RE0600000K0		E-RING 6						1	
29		40111404		X_GUIDE_SHAFT_A						1	
30		SM8060612TP		SCREW M6 L=6						2	
31		11234408		SOLENOID RUBBER						4	
32		40091449		X GUIDE SHAFT B						1	
33		SL6062092TN		SCREW M6 L=20						4	
34		HD00057000A		PHOTO SENSOR						1	
35		SL4031081SC		SCREW M3X10						1	
36		EA9500B0200		CABLE BAND 150						20	
37		40091455		SENSOR PLATE XD						1	
38		SM6040802TN		SCREW						2	
39		HX00150000A		CABLE CLAMP						1	
40		SL4040891SC		SCREW M4 L=8						1	
41		HD00057000A		PHOTO SENSOR						1	
42		SL4031081SC		SCREW M3X10						1	
43		EA9500B0100		CABLE BAND						1	
44		SM4041001SN		SCREW M4X0.7 L=10						1	
45		40091456		SENSOR PLATE X HP						1	
46		SM6040802TN		SCREW						2	

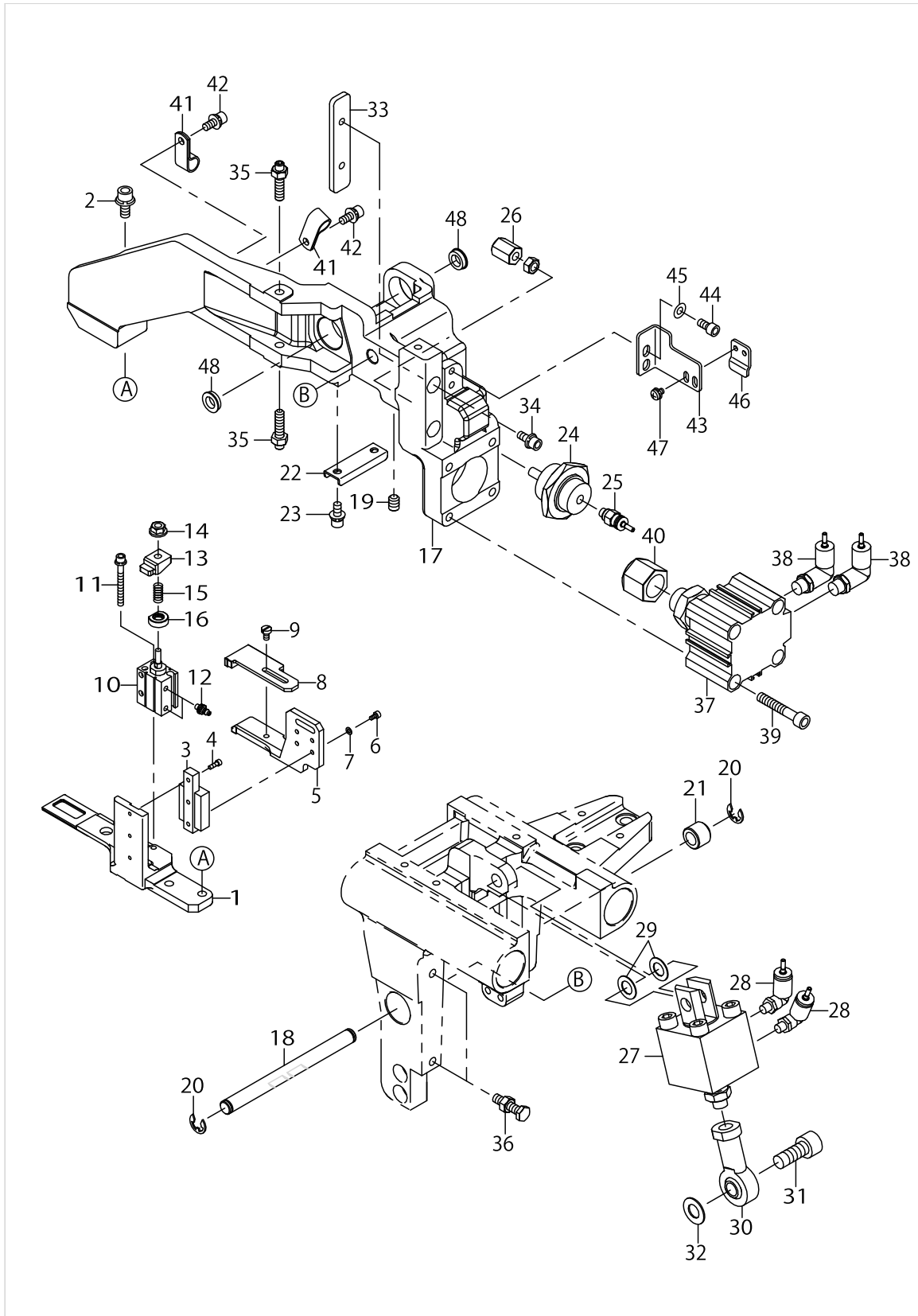
X MOVEMENT COMPONENTS



X MOVEMENT COMPONENTS

No.	Supply Code	Parts No.	Replacement	Parts name	Remarks	Choice	Step	Level	Cons	Qty	Rep. QTY
47		HX00150000A		CABLE CLAMP						2	
48		SL4040891SC		SCREW M4 L=8						2	
49		40108790		Y HP SENSOR PLATE						1	
50		SM6040802TN		SCREW						2	
51		40096105		X M FRAME						1	
52		40110934		BEARING						4	
53		40091494		TUBE GUIDE PLATE						1	
54		HX004540000		TIE MOUNT						1	
55		SM6051002TN		BOLT						3	
56		SB108002200		BEARING						2	
57		40092996		SENSOR BRKT CF						1	
58		SM6040802TN		SCREW						2	
59		40090647		LOOP CLAMP U/D DETECT SENSOR ASM.						1	
60		40092915		STOPPER BLOCK						1	
61		SM6062002TP		SCREW M6 L=20						2	
62		40108790		Y HP SENSOR PLATE						1	
63		SM6040802TN		SCREW						2	
64		HX00150000L		CABLE CLIP						1	
65		SL4040891SC		SCREW M4 L=8						1	
66		40091462		TUBE SUPPORT						2	
67		HX004540000		TIE MOUNT						2	
68		SM6041002TN		BOLT						2	
69		WP0460556SD		WASHER 4.6X7.5X0.5						2	
70		SM0040601SC		SCREW M4X0.7 L=6						2	
71		NM6040003SC		NUT M4						4	
72		SM6040802TN		SCREW						2	
73		WP0430801SE		WASHER 4.3X9X0.8						2	
74		40091493		CORD CLAMP PLATE						1	

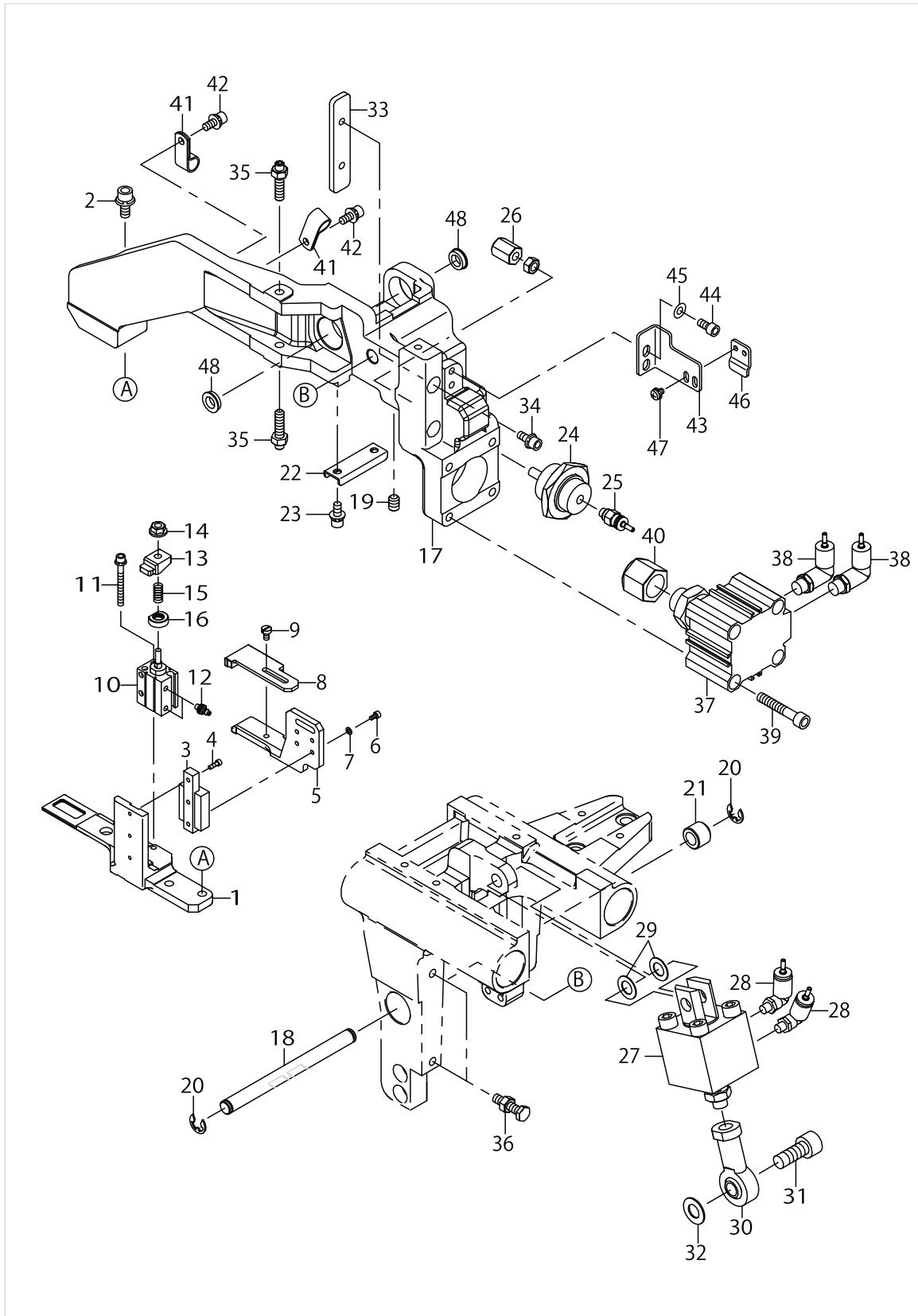
LOOP CLAMP COMPONENTS



LOOP CLAMP COMPONENTS

No.	Supply Code	Parts No.	Replacement	Parts name	Remarks	Choice	Step	Level	Cons	Qty	Rep. QTY
1		40092911		LOOP CLAMP BASE						1	
2		SL6051292TN		BOLT						2	
3		40109549		LC_LINER_GUIDE						1	
4		SM6020602TN		SCREW M2 L=6						3	
5		40092912		LOOP CLAMP UPPER						1	
6		SM6020402TN		BOLT M2 L=4						4	
7		WP0220300SC		WASHER						4	
8		40092913		LOOP CLAMP C						1	
9		SM6030500SN		SCREW M3 L=5						1	
10		PA0601017A0		AIR CYLINDER						1	
11		SM6033002TN		SCREW M3 L=30						2	
12		PJ032039001		CONNECTOR						2	
13		40092999		CYLINDER BLOCK M4						1	
14		NM3040520SF		FLANGE NUT M4						1	
15		40077829		CYLINDER SPRING						1	
16		40077847		SPRING HOLDER						1	
17		40096108		LOOP CLAMP FRAME						1	
18		40092916		C F PIVOT						1	
19		SM8060812TP		SCREW M6 L=8						2	
20		RE0600000K0		E-RING 6						2	
21		40077177		SPACE COLLAR						1	
22		40067820		TUBE CLAMP						1	
23		SL6041092TN		SCREW						2	
24		PA1500505A0		AIR CYLINDER						1	
25		PJ301040502		HALF UNION 4XM5						1	
26		40092934		ROD CAP M5						1	
27		PA200100300		THIN-TYPE CYLINDER						1	
28		PJ304040504		ELBOW UNION						2	
29		WP0820526SD		WASHER 8.2X14X0.5						2	
30		16138109		ROD						1	
31		SM6082502TN		BOLT						1	
32		B1223771000		NEEDLE ROD CRANK WASHER						1	
33		40092931		STOPPER PLATE						1	
34		SL6041092TN		SCREW						2	
35		40093288		STOPPER SCREW A						2	
36		40093289		STOPPER SCREW B						2	
37		PA3200503A0		AIR CYLINDER						1	
38		PJ304040504		ELBOW UNION						2	
39		SM6053002TP		SCREW M5X0.8 L=30						4	
40		40103227		ROD CAP M14						1	
41		HX00150000C		CABLE CLIP						2	
42		SL6041092TN		SCREW						2	
43		40092997		SENSOR PLATE CF						1	
44		SM6040802TN		SCREW						2	
45		WP0430801SE		WASHER 4.3X9X0.8						2	
46		40092998		SENSOR PLATE SUB						1	

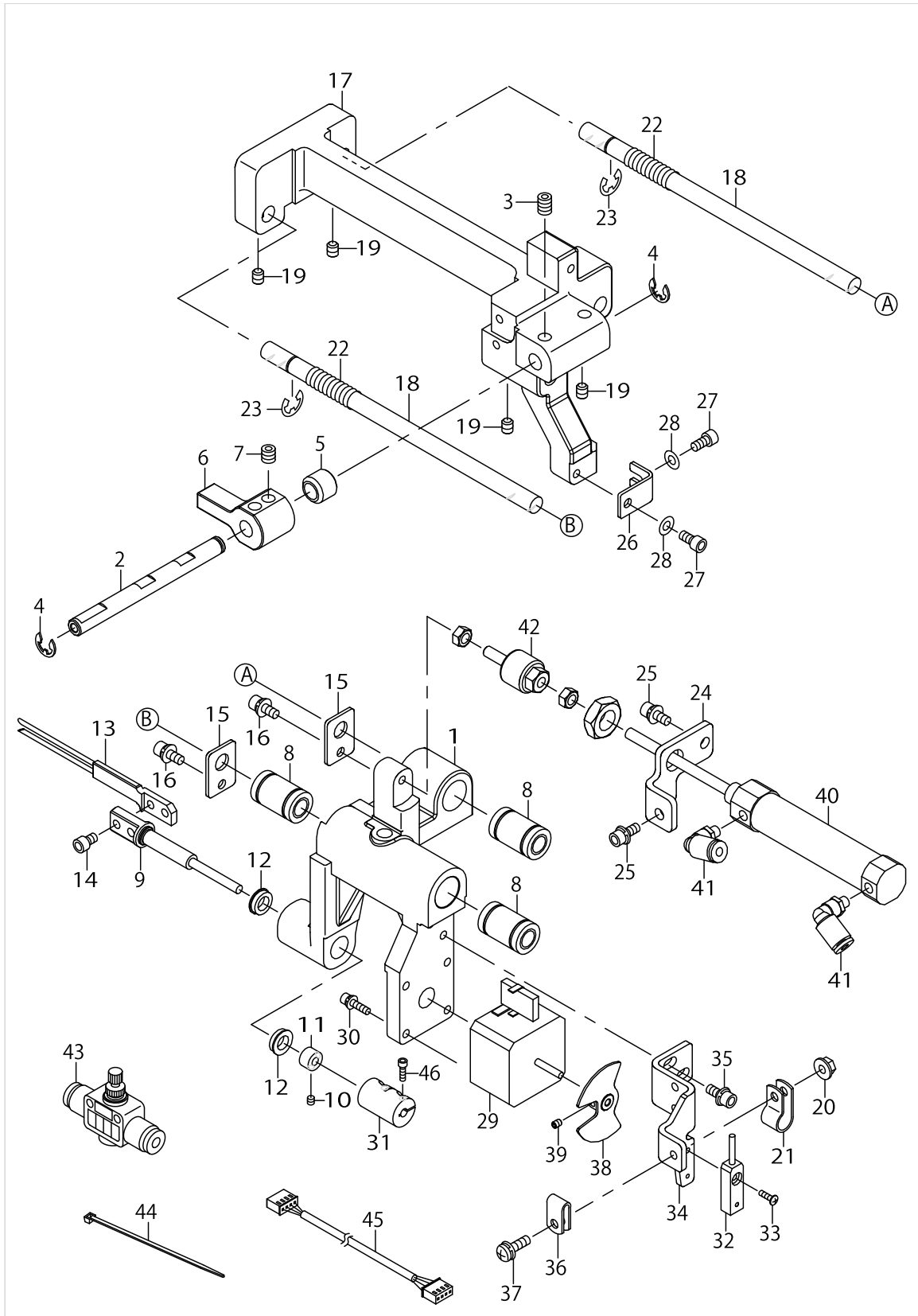
LOOP CLAMP COMPONENTS



LOOP CLAMP COMPONENTS

No.	Supply Code	Parts No.	Replacement	Parts name	Remarks	Choice	Step	Level	Cons	Qty	Rep. QTY
47		SL4030581SC		COMBINATION SCREW M3X5						2	
48		SB108002200		BEARING						2	

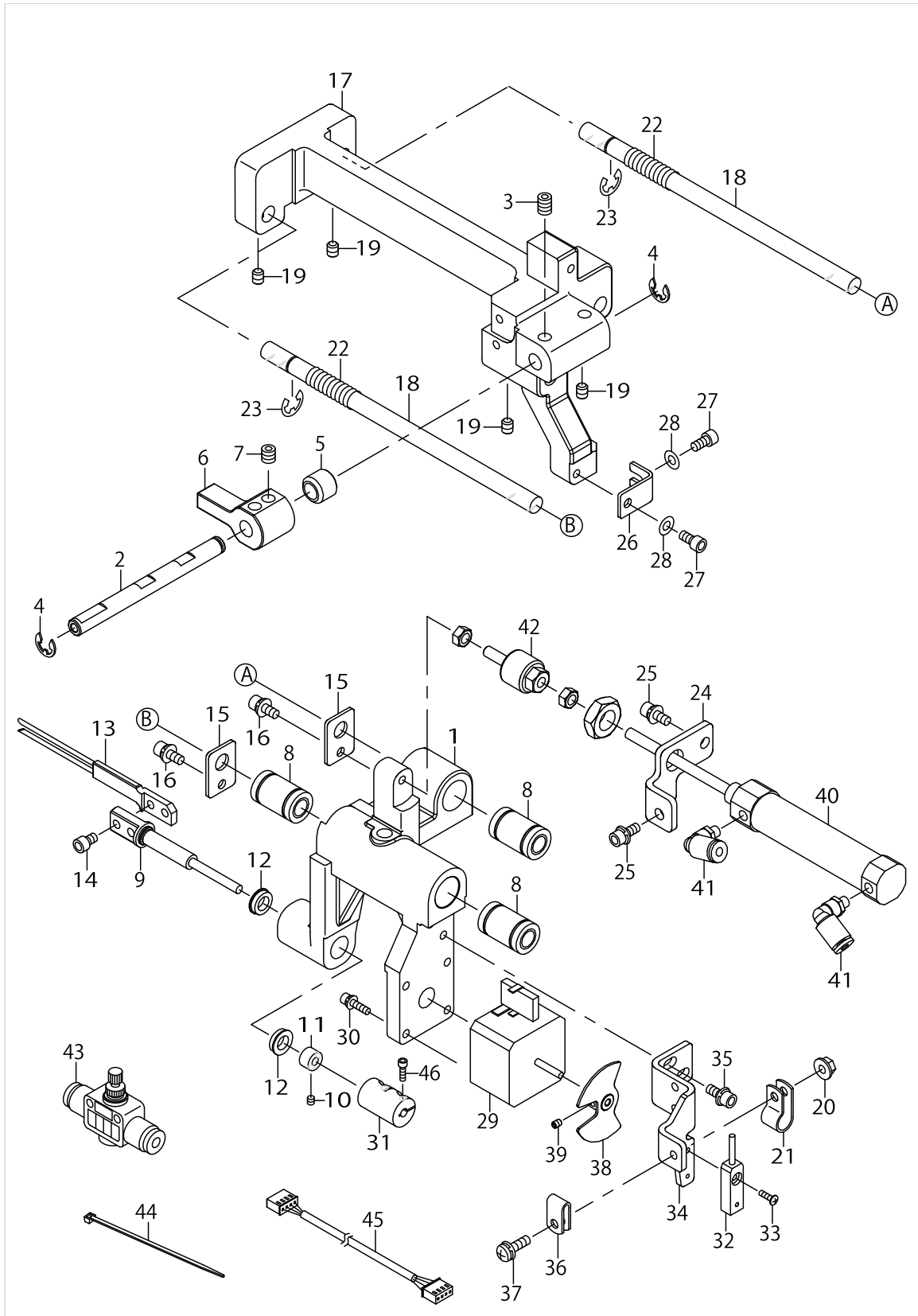
FORK COMPONENTS



FORK COMPONENTS

No.	Supply Code	Parts No.	Replacement	Parts name	Remarks	Choice	Step	Level	Cons	Qty	Rep. QTY
1		40096107		FORK BASE						1	
2		40092926		FORK F PIVOT						1	
3		SM8060812TP		SCREW M6 L=8						2	
4		RE0600000K0		E-RING 6						1	
5		40077177		SPACE COLLAR						1	
6		40092910		STOPPER F						1	
7		SM8060612TP		SCREW M6 L=6						2	
8		40110932		BEARING						3	
9		40099407		FORK SHAFT						1	
10		SM8030312TP		SCREW M3 L=3						2	
11		CS0400671TP		THRUST COLLAR D=4 W=5.5						1	
12		SB107000400		BEARING						2	
13	R	40092919	40130850	FORK PIN BS ASM.					☆	1	1.00
14		SM6040652TP		SCREW M4 L=6						2	
15		40092929		SPRING HOLDER R						2	
16		SM6040802TN		SCREW						2	
17		40096106		FORK FRAME						1	
18		40092925		F GUIDE SHAFT						2	
19		SM8050612TP		SCREW M5X6						4	
20		NM3040520SC		NUT M4						1	
21		HX00150000C		CABLE CLIP						1	
22		40092930		SPRING DAMPER						2	
23		RE0600000K0		E-RING 6						2	
24		40092927		CYLINDER BRACKET						1	
25		SL6041092TN		SCREW						2	
26		40092993		PROTECT PLATE						1	
27		SM6040802TN		SCREW						2	
28		WP0430801SE		WASHER 4.3X9X0.8						2	
29		40090636		FORK TURN MOTOR						1	
30		SL6031292TN		BOLT						4	
31		40111701		FORK_COUPLING						1	
32		40090645		FORK TURN MOTOR ORG SENSOR ASSY						1	
33		SM0850801SC		SCREW M2.5 L=8						1	
34		40092938		SENSOR BRKT FM						1	
35		SM6040602TN		BOLT						2	
36		HX001500000		CLIP						1	
37		SL4041491SC		SCRE W4X14						1	
38		40092935		SENSOR SLIT F ASM.						1	
39		SM8030412TP		SCREW						2	
40		PA1604510A0		AIR CYLINDER						1	
41		PJ304040504		ELBOW UNION						2	
42		PX5000100A0		FLOATING JOINT						1	
43		PC012401000		SPEED CONTROLLER						2	
44		EA9500B0100		CABLE BAND						5	
45		40090575		FORK TURN MOTOR RELAY CORD ASSY						1	

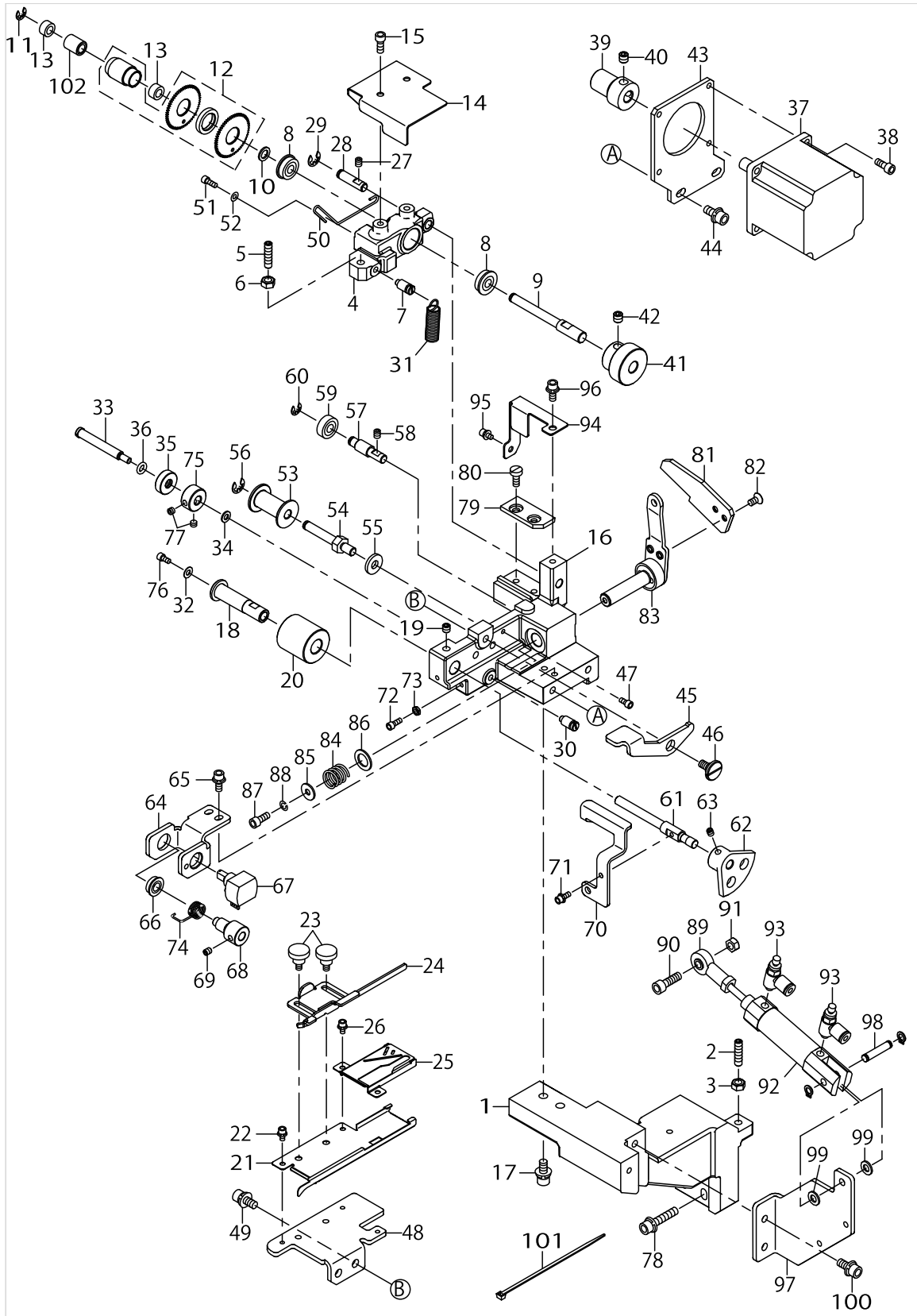
FORK COMPONENTS



FORK COMPONENTS

No.	Supply Code	Parts No.	Replacement	Parts name	Remarks	Choice	Step	Level	Cons	Qty	Rep. QTY
46		SM6850802TN		SCREW M2.5 L=8						1	

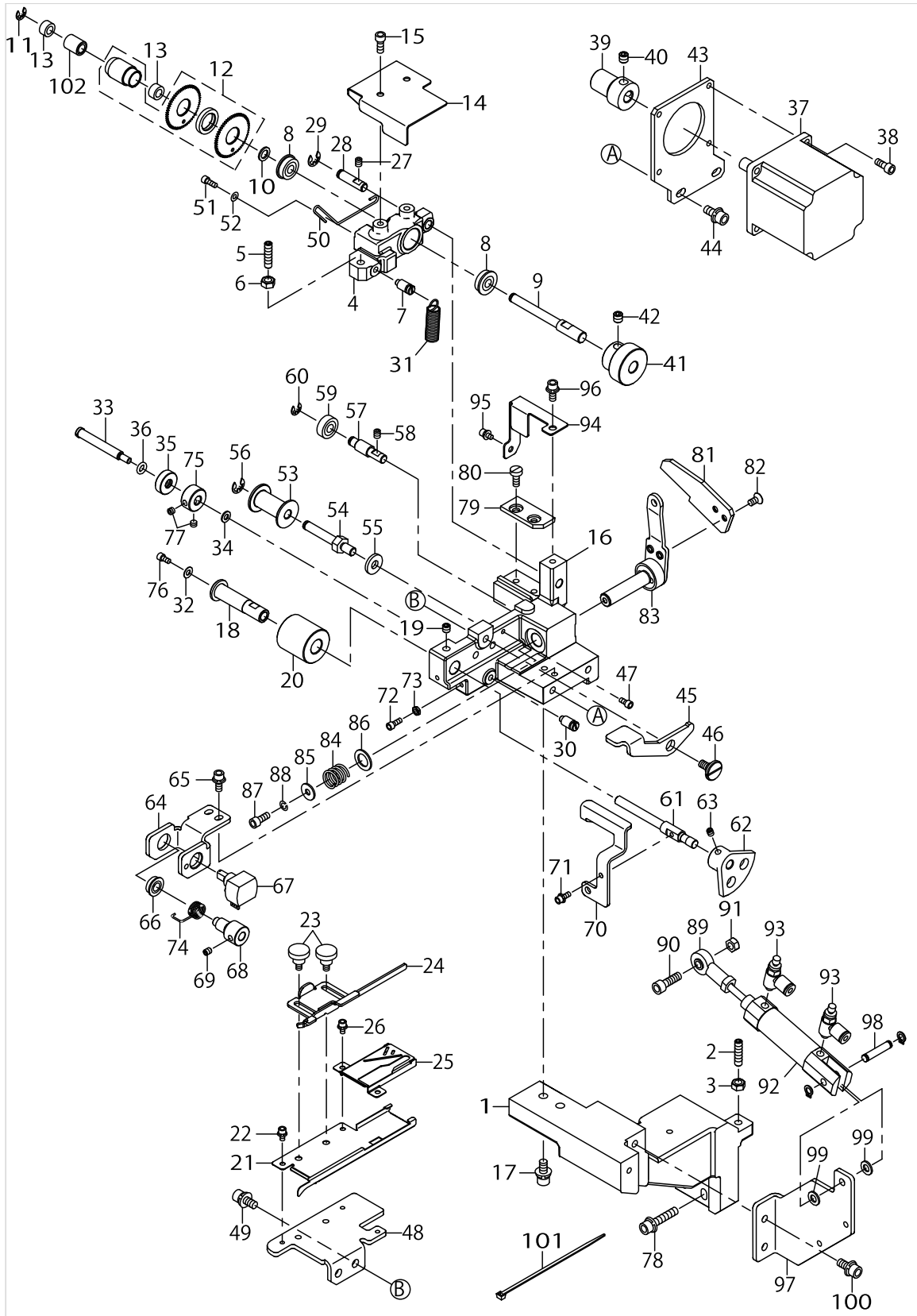
DRAW OUT STEPS PART DETECTION COMPONENTS



DRAW OUT STEPS PART DETECTION COMPONENTS

No.	Supply Code	Parts No.	Replacement	Parts name	Remarks	Choice	Step	Level	Cons	Qty	Rep. QTY
1		40091846		FEED ASSY BLOCK						1	
2		SM8052002TP		SCREW M5X0.8 L=20						1	
3		NM6050001SC		NUT M5						1	
4		40091837		FEED BLOCK						1	
5		SM8052002TP		SCREW M5X0.8 L=20						1	
6		NM6050001SC		NUT M5						1	
7		13340302		SHOULDER SCREW						1	
8		SB106000300		BEARING						2	
9		40091817		FEED DRIVE SHAFT						1	
10		B1618804000		WASHER						1	
11		RE0400000K0		E-RING 4						1	
12		40091831		FEED ROLLER ASM.						1	
13		G5234254000		FEED ROLLER METAL						2	
14		40091845		GEAR COVER						1	
15		SM6041002TP		SCREW M4 L=10						2	
16		40091838		FEED BASE BLOCK						1	
17		SL6051292TN		BOLT						2	
18		40091823		LOOP END SHAFT						1	
19		SM8050512TP		SCREW						1	
20		G5225254000		LOOP ROLLER						1	
21		40091842		LOOP UNDERBINDER						1	
22		SM6030602TN		HEX SCREW M3X6						1	
23		40093357		KNOB						2	
24		40100722		LOOP SLIDE GUIDE						1	
25		40091818		LOOP UPPERBINDER						1	
26		SM6030602TN		HEX SCREW M3X6						2	
27		SM8040512TP		SCREW						1	
28		40091820		FEED PIVOT SH						1	
29		RE0500000K0		E-RING						1	
30		13340302		SHOULDER SCREW						1	
31		B1707210000		SPRING						1	
32		WP0370316SD		WASHER 3.7X8X0.3						1	
33		40100715		LOOP GUIDE SHAFT						1	
34		WP0410846SC		WASHER						1	
35		40100716		RUBBER COLLAR						1	
36		RO048190100		RUBBER RING						1	
37		40090634		LOOP FEED MOTOR						1	
38		SM6041002TP		SCREW M4 L=10						4	
39		26501502		Y FEED GEAR						1	
40		SM8060612TP		SCREW M6 L=6						2	
41		40030947		X DRIVEN GEAR						1	
42		SM8060602TP		SCREW M6X6						2	
43		40091821		MOTOR BRACKET						1	
44		SL6051292TN		BOLT						2	
45		40100719		LEVER BR						1	
46		SD0800327TP		SHOULDER SCREW						1	

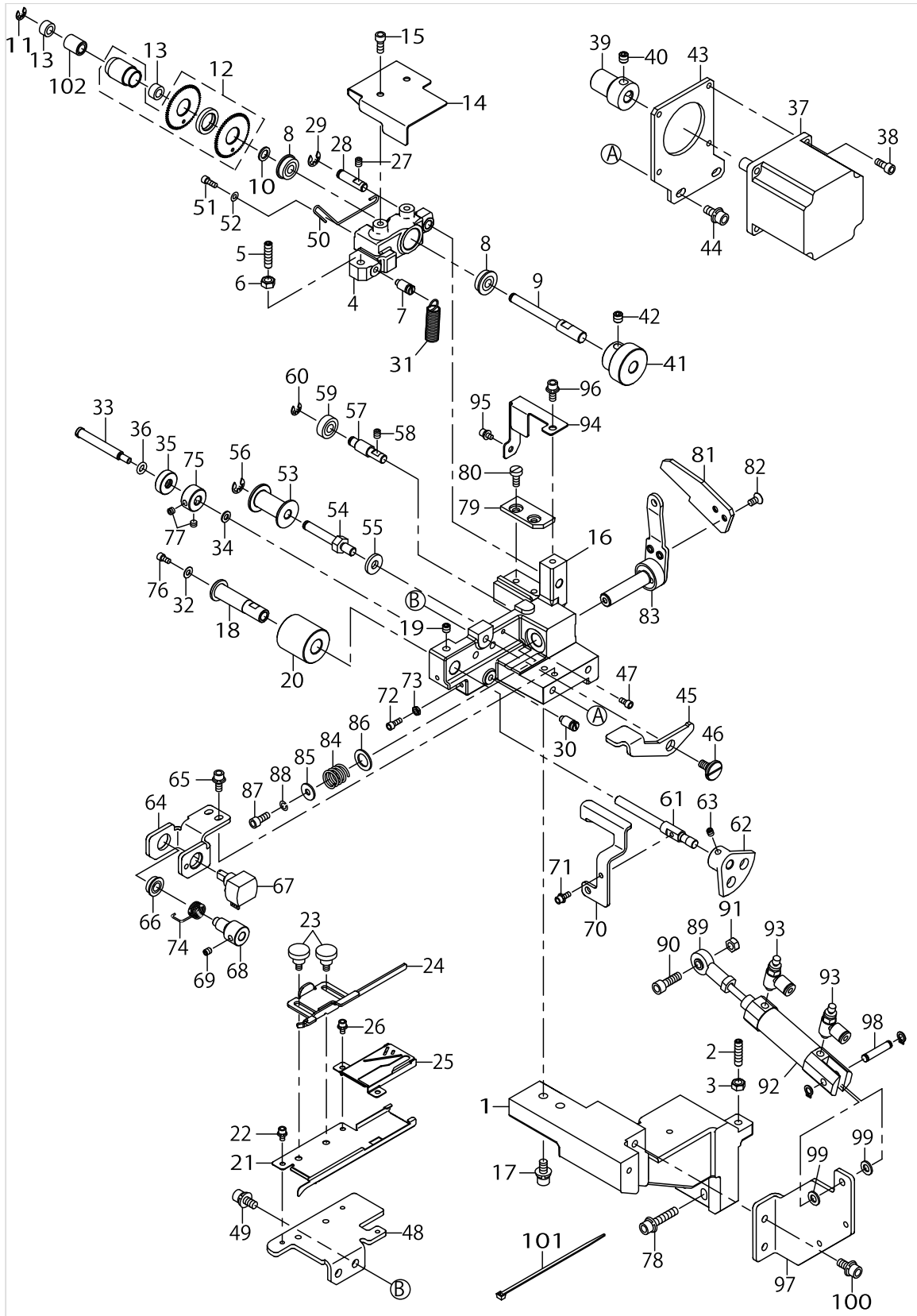
DRAW OUT STEPS PART DETECTION COMPONENTS



DRAW OUT STEPS PART DETECTION COMPONENTS

No.	Supply Code	Parts No.	Replacement	Parts name	Remarks	Choice	Step	Level	Cons	Qty	Rep. QTY
47		SM6030602TP		SCREW M3X0.5 L=6						1	
48		40091841		LOOP GUIDE BRACKET A						1	
49		SL6051292TN		BOLT						2	
50		40091814		UPPER LOOP GUIDE						1	
51		SM6030802TN		BOLT						2	
52		WP0320500SC		WASHER M3						2	
53		40091815		UNDER ROLLER SD						1	
54		40091816		UNDER ROLLER						1	
55		WP0602016SP		WASHER						1	
56		RE0500000K0		E-RING						1	
57		40091813		UNDER ROLLER SH						1	
58		SM8050512TP		SCREW						1	
59		SB106000400		CLUTCH BEARING						1	
60		RE0400000K0		E-RING 4						1	
61		40100720		SENSORGEARSHAFT						1	
62		40091828		SENSOR GEAR						1	
63		SM8040512TP		SCREW						2	
64		40091836		SENSOR BR						1	
65		SL6041092TN		SCREW						2	
66		SB106000700		BALL BEARING						1	
67		40090638		LOOP SENSOR ASSY						1	
68		40091829		POTENTIOMETER GEAR						1	
69		SM8040502TP		SCREW M4X0.7 L=5						1	
70		40100721		SENSOR CONTACT BR						1	
71		SL6030892TN		SCREW						1	
72		SM6030802TP		SCREW M3X0.5 L=8						1	
73		NM6030003SC		NUT M3						1	
74		40100723		SENSOR SHAFT SPRING						1	
75		40026745		COLLAR						1	
76		SM6030602TN		SCREW M3X6						1	
77		SM8040312TP		SCREW M4 L=3						2	
78		SL6052592TN		BOLT						4	
79		40091839		UNDER KNIFE					☆	1	
80		SM6041050TP		SCREW						2	
81		40091822		UPPER KNIFE					☆	1	
82		SM1040801SP		SCREW M4X0.7 L=8						2	
83		40091832		KNIFE ARM ASM.						1	
84		B3433552000		SPRING						1	
85		WP0431005SP		PLAIN WASHER 4.3X12X1						1	
86		WP0951016SP		WASHER 9.53X15X1						1	
87		SM6041002TN		BOLT						1	
88		WS0410002KN		SPRING WASHER						1	
89		40093290		ROD END						1	
90		SM6051602TP		SCREW M5X0.8 L=16						1	
91		NM6050001SC		NUT M5						1	
92		PA1602013A0		AIR CYLINDER						1	

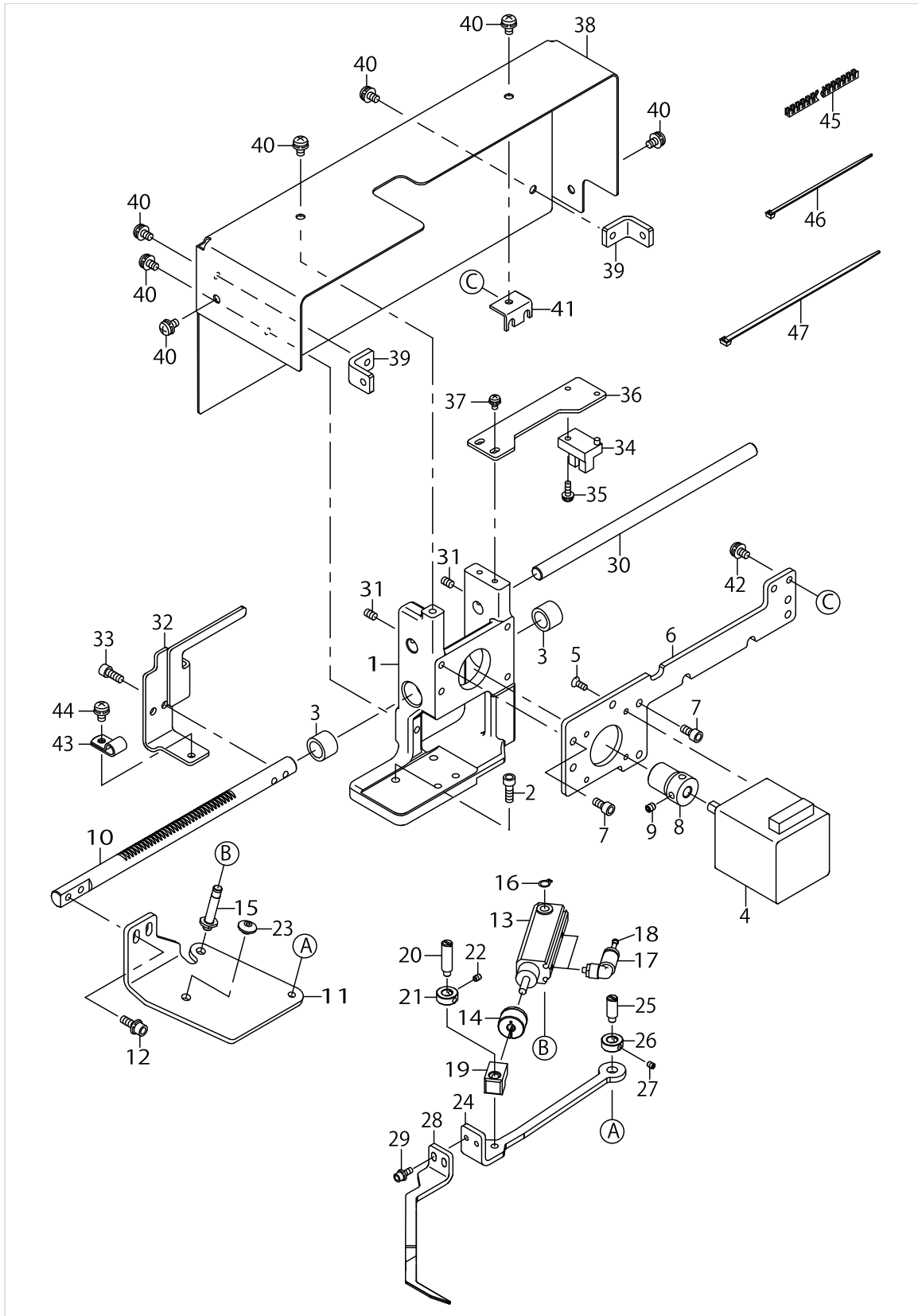
DRAW OUT STEPS PART DETECTION COMPONENTS



DRAW OUT STEPS PART DETECTION COMPONENTS

No.	Supply Code	Parts No.	Replacement	Parts name	Remarks	Choice	Step	Level	Cons	Qty	Rep. QTY
93		PC010508000		SPEED CONTROLLER						2	
94		40091843		KNIFE COVER						1	
95		SM6030602TN		HEX SCREW M3X6						1	
96		SM6040802TP		SCREW M4X0.7 L=8						1	
97		40091827		CUT CYLINDER BASE						1	
98		PX5000290A0		PIN						1	
99		WP0531001SC		WASHER						2	
100		SL6051292TN		BOLT						2	
101		EA9500B0100		CABLE BAND						2	
102		SB306000400		ROLLER CLUTCH						1	

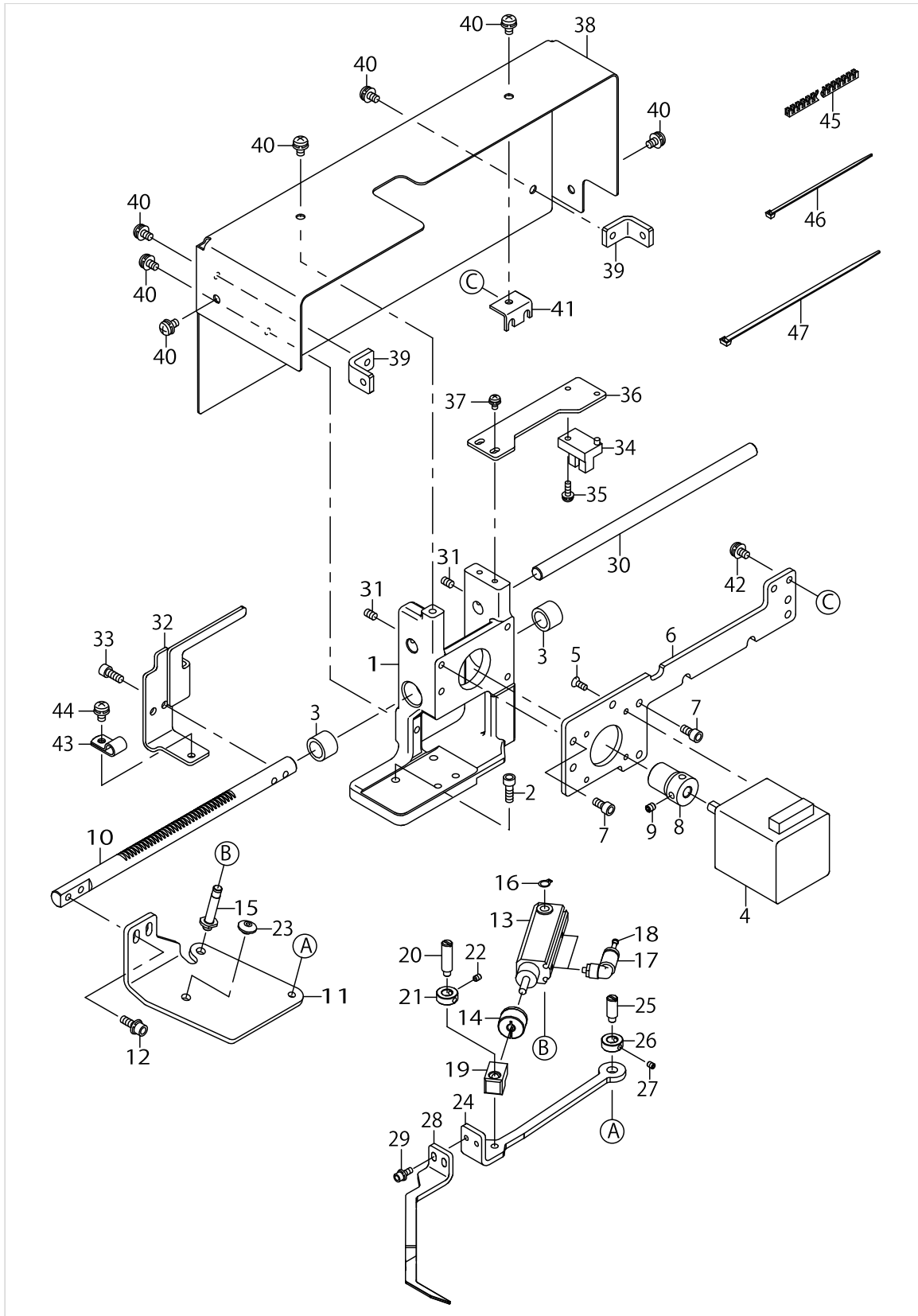
LOOP LOOSENER COMPONENTS



LOOP LOOSENER COMPONENTS

No.	Supply Code	Parts No.	Replacement	Parts name	Remarks	Choice	Step	Level	Cons	Qty	Rep. QTY
1		40066541		LOOSENER BASE						1	
2		SM6041202TP		SCREW M4X0.7 L=12						2	
3		32007403		CONNECTING ARM METAL A						2	
4		40044473		ROLLER STACKER MOTOR						1	
5		SM1030601SN		SCREW M3X0.5 L=6						4	
6		40075984		LOOSENER COVER SUPPORT						1	
7		SM6040802TP		SCREW M4X0.7 L=8						4	
8		40066551		MOTOR GEAR						1	
9		SM8040502TP		SCREW M4X0.7 L=5						2	
10		40066552		FEED SHAFT						1	
11		40100416		MOVING BASE						1	
12		SL6041292TN		SCREW						2	
13		PA1002012A0		AIR CYLINDER						1	
14		40091164		STOPPER COLLOR						1	
15		40100417		CYLINDER SHAFT						1	
16		RC0470611KP		RETAINING RING 4.7						1	
17		PJ304040301		UNION ELBOW M3						2	
18		PC022403E00		INSERT RING						2	
19		40091167		CYLINDER JOINT						1	
20		40091168		CYLINDER PIN						1	
21		40010477		AT SOL COLLAR						1	
22		SM8030412TP		SCREW						2	
23		12258000		BUSH						1	
24		40100418		LOOSENER LINK						1	
25		40066643		JOINT SHAFT						1	
26		40010477		AT SOL COLLAR						1	
27		SM8030412TP		SCREW						2	
28		40100419		LOOSENER						1	
29		SL6030892TN		SCREW						2	
30		40066640		GUIDE SHAFT						1	
31		SM8040612TP		SCREW M4 L=6						2	
32		40066650		GUIDE BRACKET						1	
33		SM6041002TP		SCREW M4 L=10						2	
34		HD00057000A		PHOTO SENSOR						1	
35		SL4031081SC		SCREW M3X10						1	
36		40066647		SENSOR BRACKET						1	
37		SL4030681SC		SCREW M3 L=6						2	
38		40075986		LOOSENER COVER						1	
39		40075985		COVER ANGLE						2	
40		SL4040891SC		SCREW M4 L=8						7	
41		14002802		PULLEY COVER STOPPER						1	
42		SL4040891SC		SCREW M4 L=8						2	
43		HX00150000B		CABLE CLIP						1	
44		SL4040891SC		SCREW M4 L=8						1	
45		HX002230000		ADJUSTABLE BUSH						.15	
46		EA9500B0100		CABLE BAND						3	

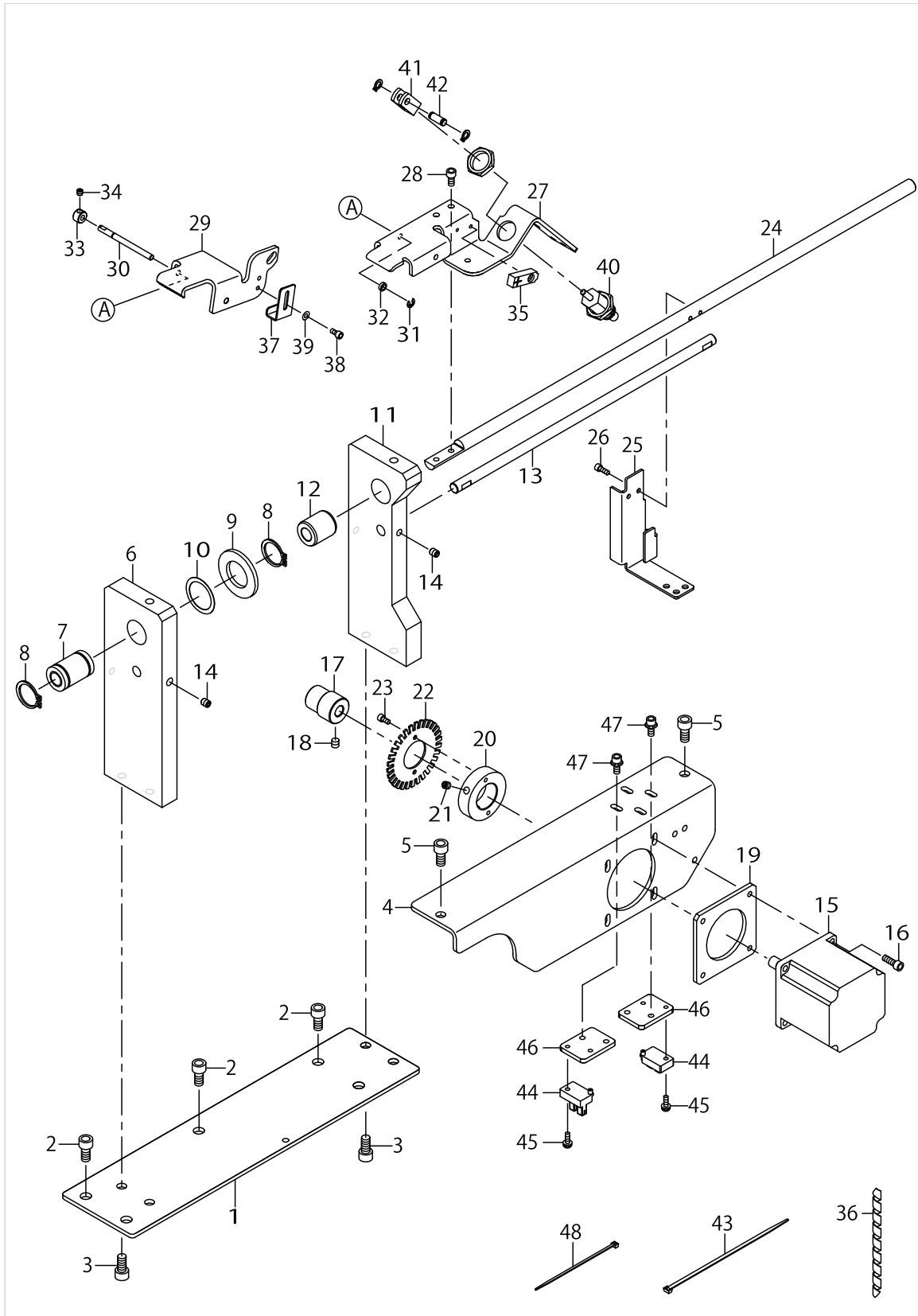
LOOP LOOSENER COMPONENTS



LOOP LOOSENER COMPONENTS

No.	Supply Code	Parts No.	Replacement	Parts name	Remarks	Choice	Step	Level	Cons	Qty	Rep. QTY
47		EA9500B0200		CABLE BAND 150						2	

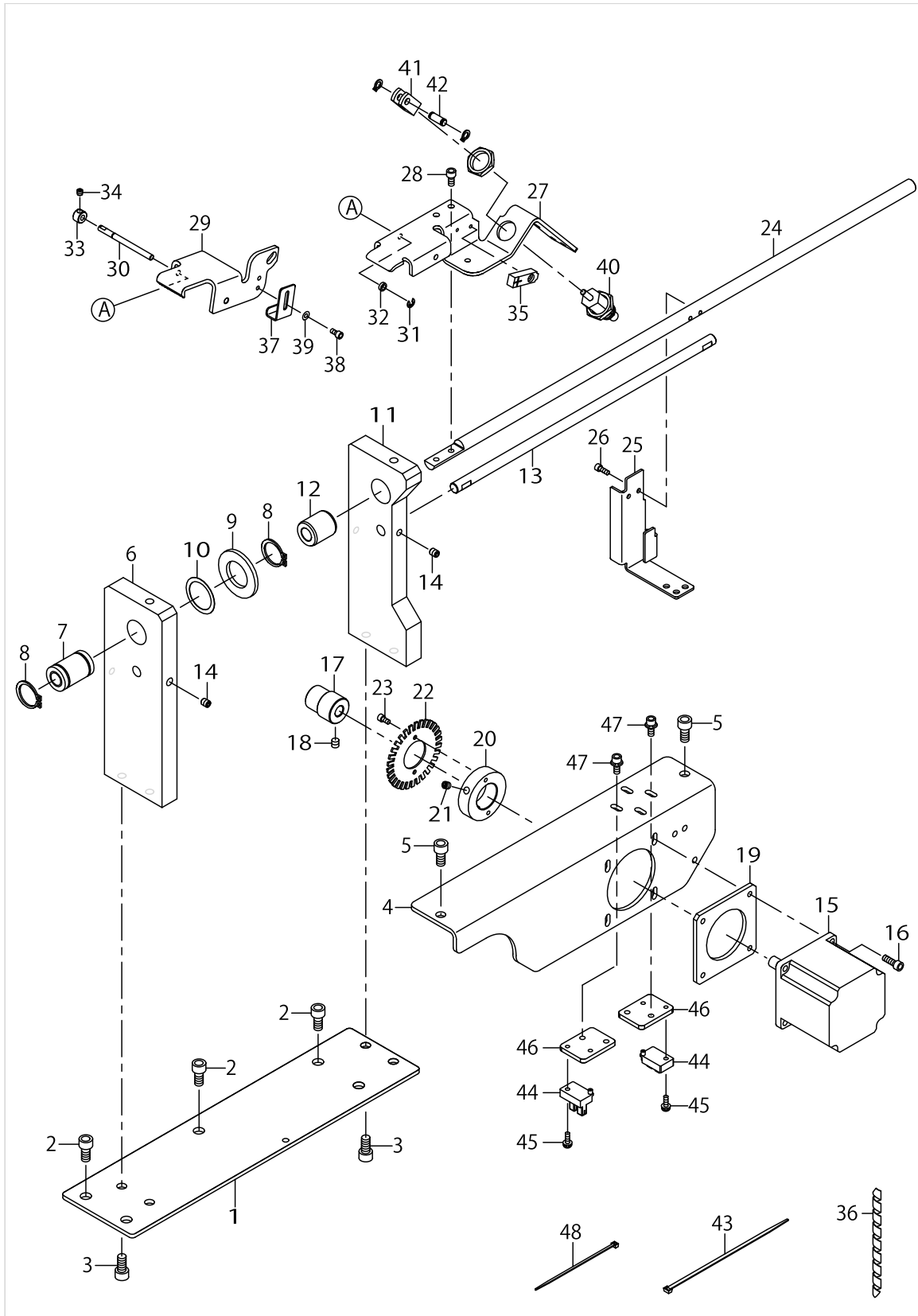
CLAMP FEED COMPONENTS



CLAMP FEED COMPONENTS

No.	Supply Code	Parts No.	Replacement	Parts name	Remarks	Choice	Step	Level	Cons	Qty	Rep. QTY
1		40110724		CLAMP_FEED_BASE_PLATE						1	
2		SM6061202TN		BOLT						5	
3		SM6061202TN		BOLT						4	
4		40091388		MOTOR BASE						1	
5		SM6061202TN		BOLT						2	
6		40110725		BEARING_PLATE_R						1	
7		SB710000200		SLIDE BEARING						1	
8		RC1900001KP		C-RING						2	
9		WP2103001SE		PLAIN WASHER						1	
10		WZ2200300KP		WAVED WASHER						1	
11		40110726		BEARING_PLATE_F						1	
12		23612807		METAL A						1	
13		40091390		GUIDE SHAFT						1	
14		SM8050612TP		SCREW M5X6						2	
15		40090634		LOOP FEED MOTOR						1	
16		SM6041202TN		SCREW M4X0.7 L=12						4	
17		40091391		CLAMP FEED MOTOR GEAR						1	
18		SM8050592TP		SCREW						2	
19		40071742		MOTOR NUT PLATE						1	
20		40091392		D PLATE BOSS						1	
21		SM8050512TP		SCREW						2	
22		40091393		DETECTIVE PLATE						1	
23		SM6030602TN		HEX SCREW M3X6						2	
24		40091394		CLAMP FEED SHAFT						1	
25		40091395		CLAMP FEED GUIDE PLATE						1	
26		SM6030802TN		BOLT						2	
27		40091398		LOOP CLAMP BASE PLATE						1	
28		SM6040802TN		SCREW						2	
29		40091399		LOOP CLAMP LEVER						1	
30		40091400		LOOP CLAMP LEVER SHAFT						1	
31		RE0300000K0		E-RING 3						1	
32		13440904		SPACER 1						1	
33		13172903		COLLAR						1	
34		SM8040412TP		SET SCREW M4 L=4						1	
35		40090643		LOOP CATCH DETE- CT SENSOR ASSY						1	
36		HX001890000		SPIRAL TUBE						.7	
37		40066677		LOOPSENSORPLATE						1	
38		SM6030602TN		SCREW M3X6						2	
39		WP0320500SC		WASHER M3						2	
40		PA1001025A0		PIN CYLINDER						1	
41		40091401		JOINT						1	
42		16905606		KNUCKLE PIN B						1	
43		EA9500B0200		CABLE BAND 150						2	
44		HD00057000A		PHOTO SENSOR						2	
45		SL4031081SC		SCREW M3X10						2	
46		40091402		SENSOR PLATE						2	

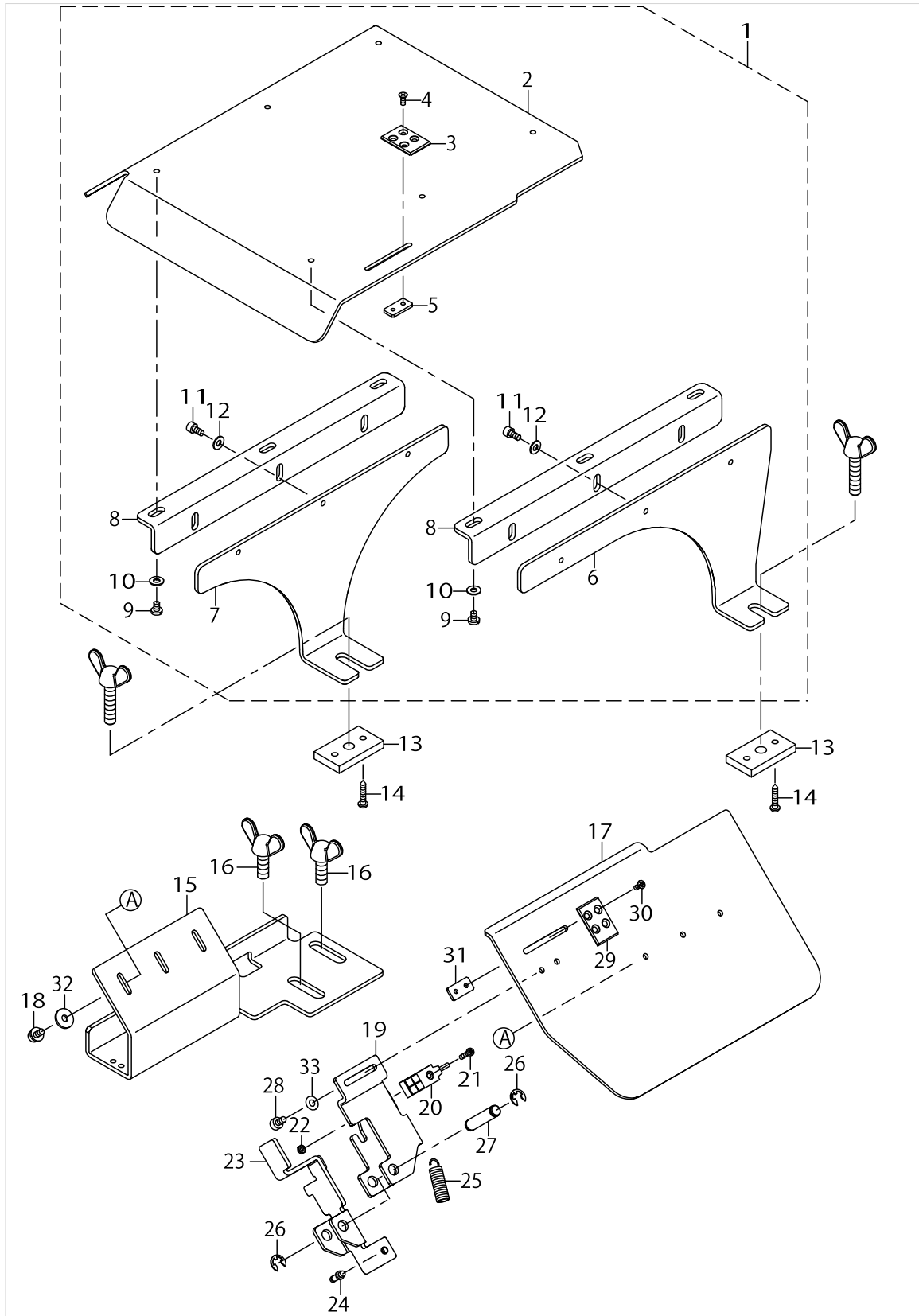
CLAMP FEED COMPONENTS



CLAMP FEED COMPONENTS

No.	Supply Code	Parts No.	Replacement	Parts name	Remarks	Choice	Step	Level	Cons	Qty	Rep. QTY
47		SL6041092TN		SCREW						4	
48		EA9500B0100		CABLE BAND						8	

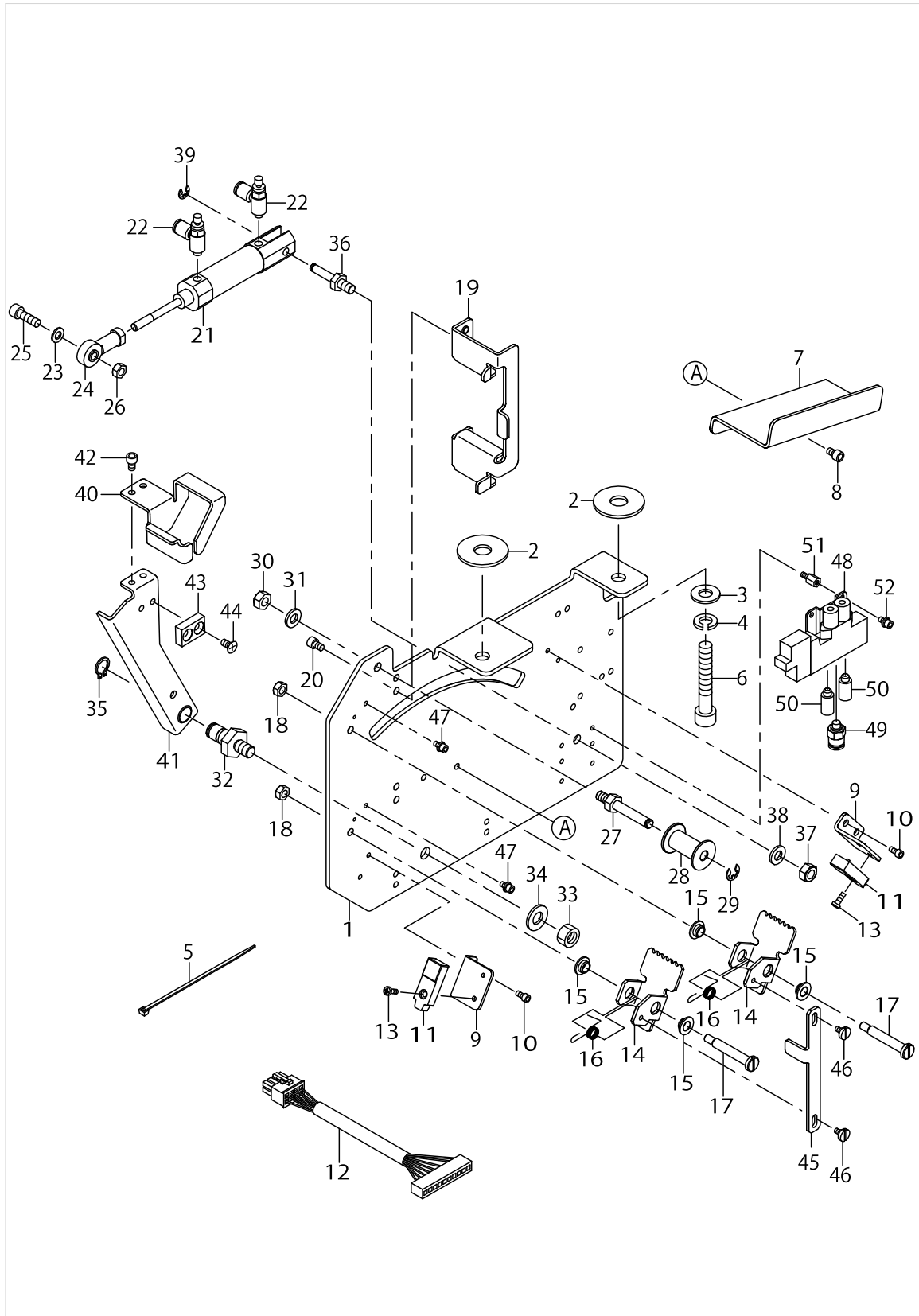
SUB TABLE COMPONENTS



SUB TABLE COMPONENTS

No.	Supply Code	Parts No.	Replacement	Parts name	Remarks	Choice	Step	Level	Cons	Qty	Rep. QTY
1		40097441		SUB TABLE L ASSY						1	
2		40103182		SUB TABLE L				*		1	
3		40097154		BANDCHECKPLATEL				*		1	
4		SM1030801SN		SCREW M3X0.5 L=8				*		2	
5		40097155		STOPPER NUT				*		1	
6		40067916		SUB TABLE STAY A				*		1	
7		40103229		SUB TABLE STAY B				*		1	
8		B1132223C00		COVER BASE				*		2	
9		SM6450610TP		SCREW				*		6	
10		WP0450801SP		WASHER				*		6	
11		SM6040802TP		SCREW M4X0.7 L=8				*		6	
12		WP0450801SP		WASHER				*		6	
13		40068321		SUPPORT NUT						2	
14		SK3382001SE		SCREW D=3.8 L=20						4	
15		40106806		SUB TABLE R SUPPORT BR						1	
16		GTR02013000		WING SCREW						2	
17		40106809		BAND TABLE						1	
18		SL6040842TN		SCREW M4 L=8						3	
19		40106807		BAND SWITCH BR						1	
20		40090644		START SW SENSOR ASSY						1	
21		SM4031201SC		SCREW M3X12						1	
22		NM6030003SC		NUT M3						1	
23		40093402		BAND SWITCH PL						1	
24		17850603		SPRING PACK SHAFT						1	
25		23508104		ADJUSTING LINK SPRING						1	
26		RE0600000K0		E-RING 6						2	
27		G2581312000		IDLER A						1	
28		SM6450610TP		SCREW						2	
29		40097154		BANDCHECKPLATEL						1	
30		SM1030801SN		SCREW M3X0.5 L=8						2	
31		40097155		STOPPER NUT						1	
32		WP0461516SH		WASHER						3	
33		WP0450801SP		WASHER						2	

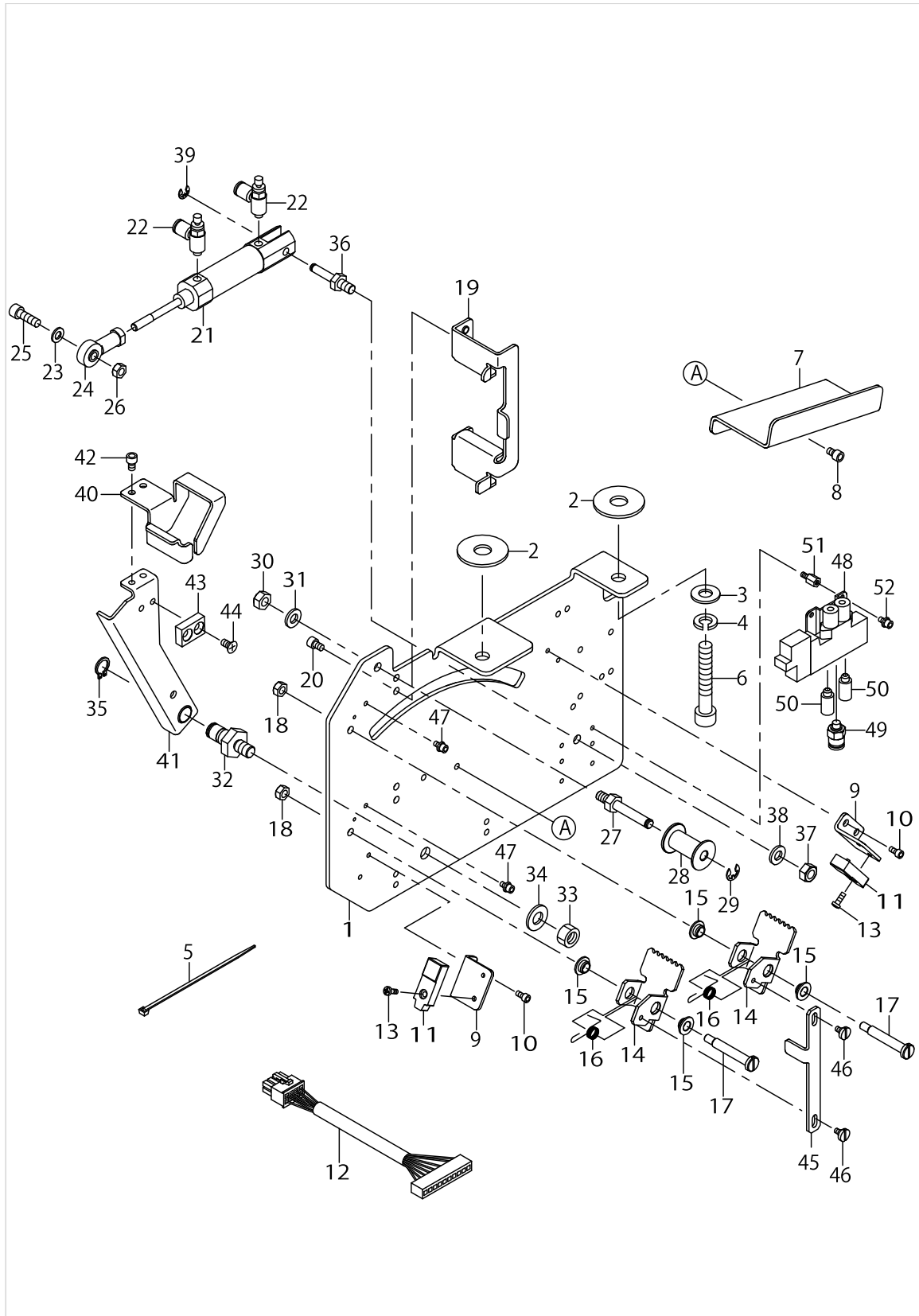
OPTIONAL PARTS COMPONENTS (1) (LOOP PULL SUPPORT DEVICE)



OPTIONAL PARTS COMPONENTS (1) (LOOP PULL SUPPORT DEVICE)

No.	Supply Code	Parts No.	Replacement	Parts name	Remarks	Choice	Step	Level	Cons	Qty	Rep. QTY
1		40093140		LOOP PULL BASE						1	
2		GAK33032000		SOLENOID RUBBER B						2	
3		WP0850002SC		WASHER 8.5X18X1.6						2	
4		WS0820002KN		SPRING WASHER M8						2	
5		EA9500B0100		CABLE BAND						5	
6		SM6087002TN		SCREW M8 L=70						2	
7		40064420		LOOP LOWER SUPPORT PLATE						1	
8		SM6040602TN		BOLT						2	
9		40093137		LOOP LOCK SENSOR PLATE						2	
10		SM6030602TN		HEX SCREW M3X6						4	
11		40090652		LOOP FEED ASSIST DEVICE I/O CORD ASM.						1	
12		40090653		LOOP FEED ASSIST DEVICE RELAY CORD ASM.						1	
13		SM4030601SN		SCREW M3 X 6						2	
14		40093135		LOOP FASTEN CLAW						2	
15		G6031870000		BEARING						4	
16		40093375		LOOP STOPPER SPRING						2	
17		40064401		FOLDING STEP SCREW						2	
18		NM6050001SC		NUT M5						2	
19		40093142		LOOP SUPPORT BR						1	
20		SM6040602TN		BOLT						4	
21		PA1602013A0		AIR CYLINDER						1	
22		PC010508000		SPEED CONTROLLER						2	
23		WP0531000SC		WASHER 5.3X10X1						1	
24		40093290		ROD END						1	
25		SM6051602TP		SCREW M5X0.8 L=16						1	
26		NM6050001SC		NUT M5						1	
27		40091815		UNDER ROLLER SD						1	
28		40091816		UNDER ROLLER						1	
29		RE0500000K0		E-RING						1	
30		NM6060001SC		NUT M6						1	
31		WP0641601SC		WASHER						1	
32		40093141		LOOP PULL PIVOT BOSS						1	
33		NM6080001SC		NUT M8X1.25						1	
34		WP0841601SC		WASHER 8.4X17.4X1.6						1	
35		RC0100001KP		SNAP RING M10						1	
36		40093341		PULL CYLINDER PIVOT SD						1	
37		NM6060001SC		NUT M6						1	
38		WP0641601SC		WASHER						1	
39		RE0400000K0		E-RING 4						1	
40		40093143		LOOPPULLBRACKET						1	
41		40093380		LOOPPULLARMASM.						1	
42		SM6040602TN		BOLT						2	
43		40093144		SLIDE BLOCK						1	
44		SM1040801SC		SCREW M4X0.7 L=8						2	
45		40093136		LOOP GUIDE LINK						1	

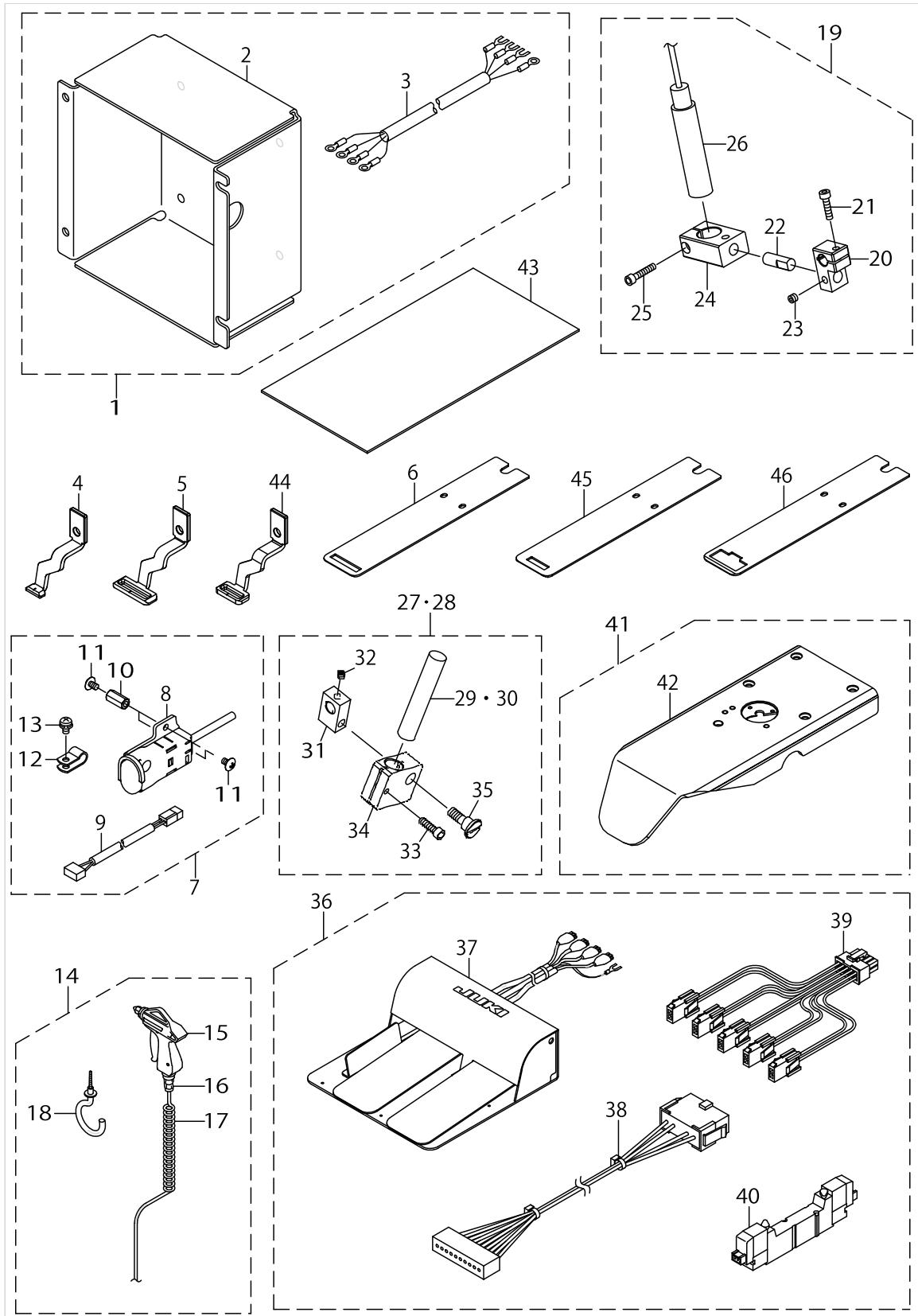
OPTIONAL PARTS COMPONENTS (1) (LOOP PULL SUPPORT DEVICE)



OPTIONAL PARTS COMPONENTS (1) (LOOP PULL SUPPORT DEVICE)

No.	Supply Code	Parts No.	Replacement	Parts name	Remarks	Choice	Step	Level	Cons	Qty	Rep. QTY
46		SD0400266TP		SHOULDER SCREW						2	
47		SM6030602TN		HEX SCREW M3X6						2	
48		PV1502060B0		5-PORT SOLENOID VALVE						1	
49		PJ301060503		HALF UNION						1	
50		PX050501000		SILENCER						2	
51		HX00354000N		SPACER						2	
52		SL6030692TN		BOLT						2	

OPTIONAL PARTS COMPONENTS (2)



OPTIONAL PARTS COMPONENTS (2)

No.	Supply Code	Parts No.	Replacement	Parts name	Remarks	Choice	Step	Level	Cons	Qty	Rep. QTY
1		40090561		OPTION HIGH VOLT- AGE TRANSFORMER ASSY						1	
2		40005422		HIGH VOLTAGE TRANSFORMER				*		1	
3		40070548		AC POWER CORD E ASM.				*		1	
4		40091157		WORK CLAMP FOOT AN						1	
5		40066686		WORKCLAMPFOOTB						1	
6		40066744		FEED PLATE B						1	
7		40097205		INTERMEDIATE STOP SWICH ASSY						1	
8		32002354		SWITCH ASM.				*		1	
9		40043994		STOP SW RELAY CORD ASM.				*		1	
10		HX00337000A		SPACER				*		2	
11		SM0040601SC		SCREW M4X0.7 L=6				*		4	
12		HX00150000B		CABLE CLIP				*		1	
13		SL4040891SC		SCREW M4 L=8				*		1	
14		40111887		AIR GUN ASSY						1	
15		40044823		AIR GUN				*		1	
16		PJ301065201		HALF UNION 6XPT1/4				*		1	
17		GSS36020000		COIL TUBE				*		1	
18		MAT81163T00		CORD HOLDER				*		1	
19		40111891		LED MARKING ASSY						1	
20		40091172		MARKER FIXED BLOCK				*		1	
21		SM6041602TP		SCREW M4X0.7 L=16				*		1	
22		40091173		MARKER FIXED SUB ROD				*		1	
23		SM8050412TP		SCREW M5 L=4				*		2	
24		40067813		MARKER BRACKET				*		1	
25		SM6042002TP		SCREW M4X0.7 L=20				*		1	
26		40090637		LED MARKING				*		1	
27		40111906		LASER MARKING 130 ASSY	TYPE 130MM					1	
28		40111907		LASER MARKING 300 ASSY	TYPE 300MM					1	
29	R	HE000520000	KE000000010	LAMP	TYPE 130MM			*		1	1.00
30	R	HE000530000	KE000000020	LAMP	TYPE 300MM			*		1	1.00
31		40034002		FIXED HOLDER B				*		1	
32		SM8040412TP		SET SCREW M4 L=4				*		1	
33		SM6041602TP		SCREW M4X0.7 L=16				*		1	
34		40034001		FIXED HOLDER A				*		1	
35		SD0900706TP		SHOULDER SCREW D=9 H=7				*		1	
36		40111910		3-PEDAL ASSY						1	
37		GPK470010AB		3-PEDAL ASM.				*		1	
38		40073659		SWRELAYCORDASM.				*		1	
39		40033875		PK47 RELAY CABLE ASM.				*		1	
40		PV150106000		5-PORT SOLENOID VALVE				*		1	
41		40091154		NEEDLE PLATE N ASM.						1	
42		40091337		NEEDLE PLATE N				*		1	
43		40091162		SPONGE						1	
44		40091156		WORK CLAMP FOOT BN						1	
45		40075979		FEED PLATE BN						1	
46		40093451		FEED PLATE C						1	

LIST FOR INFORMATION OF CHANGE

As to the place changed, refer to the corresponding Rev.No.
 When previous parts(Obsoleted part)and new parts(Added parts)are
 not interchangeable with each other:
 In this case, even obsoleted parts(D.)can be ordered with the
 obsoleted part number, so select the parts with changed dates and
 place your orders.

変更箇所は, 該当Rev.No.版をご参照ください。
 部品の互換性がない変更の場合は, 削除された品番でも, ご注文できます。

40091085
 No.1539-04 Rev.No.

*A:Added parts追加部品/D:Obsoleted parts削除部品/E:Erratum訂正

* Rev. No.	Page 頁	Ref. No.	Parts No. 品番	* Rev. No.	Page 頁	Ref. No.	Parts No. 品番
D 03	24	61	MAT-81163T00				
D 03	34	4	400-66771	A 04	34	4	401-11144
D 03	34	5	SL-6052592-TN	A 04	34	5	SL-6051692-TN
				A 04	34	37	401-23249
				A 04	34	38	401-11143
				A 04	34	39	SL-6040892-TN
D 03	36	52	SB-7120001-00	A 04	36	52	401-10934
D 03	40	31	400-99408	A 04	40	31	401-11701
				A 04	40	46	SM-6850802-TN
D 03	46	1	400-91387	A 04	46	1	401-10724
D 03	46	6	400-91389	A 04	46	6	401-10725
D 03	46	11	400-91389	A 04	46	11	401-10726

HOW TO MAKE USE OF THIS PARTS LIST

1.Explanation of codes

1)"*"mark.....means this part is changed from the previous parts book.

As to the details of the change, refer to the "List for information of change".

2)"#01".....refer to "Note" explanation at bottom of page.

2.Codes on the "Qty" column

- Each numeral indicates the number of parts required.
- "0.1" and "2.5" indicate the length (in meters) of the respective parts.

3.Parentheses mean that the corresponding part is a subpart that constructs an assembly part.

4.Dotted lines on the Figures indicate assembly parts.

5.As to the parts with marks of "☆"(consumable parts) and "◎"(optional parts)on the respective parts, it is recommended to prepare spares.

1 ."注記"欄の記号説明

1) "*"印.....前回のパーツブックに比較して今回変更された部品を意味します。

変更内容は、"変更情報リスト"を参照してください。

2) "#01".....ページ下の"注記"の説明を参照してください。

2.数量欄の数字は、個数を表し、0.1、2.5等の数値は、長さ（単位メートル）を表します。

3.数量欄の（ ）は、組部品を構成している子部品であることを意味します。

4.イラストページの-----枠は、組構成であることを意味します。

5.リストページの"☆"（消耗部品）、"◎"（オプション部品）の印がついた部品は、予備を準備しておくことをお奨めします。

NUMERICAL INDEX OF PARTS

PART NO	PAGE	REF NO.	PART NO	PAGE	REF NO.	PART NO	PAGE	REF NO.
10108009	10	20	22901805	4	47	26261305	4	70
10502300	4	46	22920508	2	37	26261503	4	78
11072402	2	27	22921506	22	30	26261602	4	60
11158300	42	5	22921605	22	40	26261701	4	61
11158409	42	6	22928808	22	29	26500306	12	61
11158516	42	31	22932800	58	1	26501403	28	13
11234408	66	31	22933006	58	11	26501502	28	23
12258000	84	23	22933105	58	13	26501502	78	39
12288403	58	15	22933204	58	12	26501858	18	24
13172903	88	33	22955900	44	60	26910059	40	25
13340302	78	30	23508104	92	25	32002354	98	8
13440904	88	32	23517501	26	40~43	32007403	84	3
13508700	2	16	23517600	26	40~43	40000046	46	6·7
13509807	16	50	23517709	26	40~43	40000046	50	35
13529607	18	34	23517808	26	40~43	40000058	46	6·7
13705108	2	39	23604309	12	57	40003458	46	22
13812102	20	54	23612807	88	12	40004254	14	5
13812102	58	5	23630007	18	33	40005394	46	8
13816855	2	15	23638109	38	8	40005401	46	14
14002802	84	41	23638208	38	10	40005422	52	57
14101208	42	28	23638406	38	11	40005422	98	2
14101208	58	2	26037200	8	23	40005660	38	17
14103352	20	46	26204008	32	18	40005664	38	16
14103907	18	27	26211607	2	29	40005664	52	47
14104004	18	25	26211904	2	33	40005725	38	18
14104400	14	41	26218008	14	32	40005726	46	9
14105407	32	21	26218602	22	31	40005727	46	10
14111504	28	46	26221101	2	17	40005729	38	1
14111702	28	44	26221200	2	18	40005729	52	79
14113450	2	24	26222703	28	26	40005730	38	4
14113468	2	23	26223305	28	28	40005730	52	76
14115554	38	20	26226209	14	24	40005731	38	2
14136402	30	52	26260000	4	56	40005731	52	77
14411003	34	57	26260109	4	62	40005732	38	3
16138109	70	30	26260208	4	63	40005732	52	78
16905606	88	42	26260307	4	69	40005733	38	5
17007402	42	8	26260406	4	71	40005733	52	80
17079807	44	50	26260505	4	73	40005734	38	12
17079906	44	49	26260604	4	75	40005734	54	81
17833658	42	9	26260703	4	77	40006323	58	8·9
17845009	46	17	26260802	4	59	40006475	2	1
17850603	92	24	26260901	4	64	40006478	2	3
20104402	8	4	26261008	4	65	40006495	38	6
22891006	10	31	26261107	4	66	40006496	38	7
22901409	4	81	26261206	4	72	40006497	38	9

NUMERICAL INDEX OF PARTS

PART NO	PAGE	REF NO.	PART NO	PAGE	REF NO.	PART NO	PAGE	REF NO.
40006515	12	65	40010405	2	13	40010503	22	27
40006516	12	67	40010414	2	31	40010504	22	28
40006532	10	32	40010417	10	9	40010508	22	32
40006534	10	28	40010424	12	46	40010509	22	44
40006535	10	29	40010425	12	47	40010510	22	33
40006573	18	18	40010426	12	48	40010511	22	34
40006577	18	28	40010427	12	49	40010512	22	35
40006578	18	15	40010428	12	45	40010513	22	36
40006580	20	58	40010439	12	53	40010514	22	37
40006617	22	5	40010440	12	54	40010515	22	38
40006622	22	26	40010441	12	73	40010521	22	41
40006625	22	4	40010442	12	74	40010522	22	42
40006628	22	1	40010443	14	16	40010523	22	43
40006628	50	14	40010450	14	40	40010525	26	12
40006661	14	8	40010451	14	33	40010526	26	16
40006665	14	9	40010455	16	53	40010527	36	20
40006666	14	13	40010457	16	54	40010528	36	21
40006671	14	28	40010460	14	30	40010530	36	26
40006678	14	46	40010464	18	6	40010531	36	30
40006711	26	1	40010467	18	7	40010532	36	34
40006712	26	6	40010469	18	8	40010533	12	42
40006716	14	20	40010470	10	35	40010534	12	43
40006716	26	9	40010470	20	53	40010535	12	44
40006717	26	11	40010471	18	35	40010536	28	21
40006736	28	25	40010472	18	37	40010571	2	35
40006738	28	33	40010473	20	55	40010572	10	1
40006740	28	38	40010474	20	56	40010573	12	69
40006761	36	1	40010475	20	57	40010574	12	75
40006762	36	2	40010477	22	6	40010575	18	13
40006765	36	3	40010477	32	31	40010589	36	10
40006776	36	24	40010477	84	26	40010590	36	12
40006777	36	18	40010478	22	39	40011152	36	22
40006780	36	13	40010479	22	8	40011511	20	49
40006781	36	14	40010482	22	11	40011512	20	48
40006782	36	16	40010486	22	15	40011928	4	79
40006836	20	65	40010487	22	17	40012127	18	2
40006840	20	64	40010488	22	18	40012815	36	4
40006923	10	22	40010489	22	22	40013640	58	8-9
40006924	10	23	40010490	22	20	40013721	18	4
40006925	10	25	40010492	22	12	40013967	22	45
40006926	10	33	40010495	22	13	40015800	36	5
40006937	16	55	40010497	22	21	40023831	14	22
40008693	14	36	40010498	22	23	40025260	52	58
40009290	2	21	40010499	22	24	40025260	62	47
40010404	2	5	40010500	22	25	40026745	80	75

NUMERICAL INDEX OF PARTS

PART NO	PAGE	REF NO.	PART NO	PAGE	REF NO.	PART NO	PAGE	REF NO.
40026818	10	18	40066640	84	30	40073659	98	38
40028015	10	36	40066643	84	25	40075079	36	28
40028834	4	83	40066647	84	36	40075079	50	12
40028835	4	85	40066650	84	32	40075977	34	78
40028986	30	50	40066651	32	6	40075978	28	6
40030939	10	16	40066677	88	37	40075979	98	45
40030947	78	41	40066686	58	26	40075982	34	63
40032191	64	28	40066686	98	5	40075984	84	6
40032191	66	19	40066720	26	18	40075985	60	33
40032219	64	26	40066721	26	26	40075985	84	39
40032219	66	17	40066739	28	40	40075986	84	38
40033047	16	56	40066744	58	27	40075988	32	5
40033875	98	39	40066744	98	6	40076003	2	7
40034001	98	34	40066745	34	54	40076004	2	8
40034002	98	31	40066746	34	47	40077177	70	21
40035024	56	23	40066748	34	52	40077177	74	5
40036110	58	6	40066751	32	46	40077178	64	31
40038207	32	22	40066761	32	45	40077178	66	25
40039255	30	54	40066844	64	14	40077829	70	15
40040256	14	6	40066844	66	5	40077847	70	16
40040256	26	4	40066845	64	22	40078098	28	37
40042897	28	35	40066845	66	9	40078100	28	1
40043977	52	43	40067541	44	45	40078127	66	7
40043994	98	9	40067545	42	43	40078162	56	17
40044473	50	25	40067550	44	47	40078163	56	2
40044473	84	4	40067813	8	10	40078164	56	20
40044823	98	15	40067813	98	24	40078166	56	16
40049817	58	10	40067820	70	22	40078167	56	19
40051640	46	24·25	40067916	92	6	40078168	56	9
40055355	46	1	40067940	34	73	40080799	56	15
40055356	46	2	40067941	34	74	40080800	56	4
40055357	46	3	40067942	34	75	40082265	42	22
40057278	46	24·25	40068321	92	13	40082758	46	5
40058397	52	50~52	40068638	60	11	40082758	50	39
40058398	52	50~52	40070548	52	50~52	40083666	56	7
40064401	94	17	40070548	98	3	40083667	56	18
40064420	94	7	40071742	88	19	40083668	56	6
40065566	50	40	40071906	28	2	40083882	14	26
40066088	58	25	40071925	32	9	40083883	32	13
40066402	32	1	40073100	32	37	40083884	32	16
40066443	32	23	40073632	38	28	40083885	32	14
40066444	32	25	40073632	50	4	40083960	56	10
40066541	84	1	40073638	38	30	40085784	40	2
40066551	84	8	40073638	50	8	40085785	40	3
40066552	84	10	40073659	50	33	40085786	40	4

NUMERICAL INDEX OF PARTS

PART NO	PAGE	REF NO.	PART NO	PAGE	REF NO.	PART NO	PAGE	REF NO.
40085787	40	5	40090630	50	5	40091159	34	50
40085788	40	6	40090631	38	31	40091160	32	39
40085789	40	7	40090631	50	9	40091161	32	40
40085790	40	8	40090632	38	32	40091162	98	43
40085791	40	9	40090632	50	11	40091163	32	11
40085792	40	10	40090633	38	27	40091164	84	14
40085793	40	11	40090633	50	13	40091167	84	19
40085794	40	12	40090634	50	21	40091168	84	20
40085795	40	13	40090634	78	37	40091171	8	2
40085796	40	16	40090634	88	15	40091172	8	6
40086192	56	1	40090635	32	35	40091172	98	20
40086541	56	5	40090635	50	23	40091173	8	8
40089365	18	19	40090636	50	27	40091173	98	22
40090561	98	1	40090636	74	29	40091334	8	14
40090569	50	16	40090637	8	1	40091335	8	17
40090570	50	18	40090637	52	46	40091336	8	19
40090571	50	20	40090637	98	26	40091337	98	42
40090572	50	22	40090638	52	42	40091339	34	65
40090573	50	24	40090638	80	67	40091388	88	4
40090574	50	26	40090639	50	34	40091390	88	13
40090575	50	28	40090642	32	42	40091391	88	17
40090575	74	45	40090642	52	59	40091392	88	20
40090576	52	74	40090643	52	60	40091393	88	22
40090577	52	67	40090643	88	35	40091394	88	24
40090578	52	71	40090644	44	57	40091395	88	25
40090580	52	72	40090644	52	64	40091398	88	27
40090581	52	70	40090644	92	20	40091399	88	29
40090582	52	73	40090645	52	66	40091400	88	30
40090584	52	53-69	40090645	74	32	40091401	88	41
40090587	46	11-12	40090646	4	84	40091402	88	46
40090587	50	36-37	40090646	52	75	40091420	64	36
40090588	46	11-12	40090647	52	62	40091449	66	32
40090588	50	36-37	40090647	68	59	40091455	66	37
40090589	46	13	40090649	52	44	40091456	66	45
40090589	50	38	40090650	50	29	40091457	66	1
40090622	52	41	40090652	50	31	40091462	68	66
40090626	28	8	40090652	94	11	40091493	68	74
40090626	50	17	40090653	50	30	40091494	68	53
40090626	64	2	40090653	94	12	40091545	42	33
40090626	66	2	40090655	52	63	40091548	44	63
40090627	28	15	40090657	52	61	40091549	42	37
40090627	50	6-7	40091154	98	41	40091813	80	57
40090628	14	1	40091156	98	44	40091814	80	50
40090628	50	10	40091157	98	4	40091815	80	53
40090630	38	29	40091158	34	62	40091815	94	27

NUMERICAL INDEX OF PARTS

PART NO	PAGE	REF NO.	PART NO	PAGE	REF NO.	PART NO	PAGE	REF NO.
40091816	80	54	40092998	70	46	40100416	84	11
40091816	94	28	40092999	70	13	40100417	84	15
40091817	78	9	40093135	94	14	40100418	84	24
40091818	78	25	40093136	94	45	40100419	84	28
40091820	78	28	40093137	94	9	40100420	34	83
40091821	78	43	40093140	94	1	40100422	34	66
40091822	80	81	40093141	94	32	40100426	34	72
40091823	78	18	40093142	94	19	40100430	42	29
40091827	82	97	40093143	94	40	40100431	62	49
40091828	80	62	40093144	94	43	40100715	78	33
40091829	80	68	40093288	70	35	40100716	78	35
40091831	78	12	40093289	70	36	40100719	78	45
40091832	80	83	40093290	80	89	40100720	80	61
40091836	80	64	40093290	94	24	40100721	80	70
40091837	78	4	40093341	94	36	40100722	78	24
40091838	78	16	40093357	78	23	40100723	80	74
40091839	80	79	40093375	94	16	40101200	46	4
40091841	80	48	40093380	94	41	40101200	50	1
40091842	78	21	40093402	92	23	40101999	44	61
40091843	82	94	40093434	60	41	40102261	2	45
40091845	78	14	40093435	60	29	40103154	32	19
40091846	78	1	40093436	60	31	40103182	92	2
40091929	16	51	40093437	60	27	40103225	42	15
40091930	8	21	40093438	60	24	40103226	60	39
40092910	74	6	40093439	60	35	40103227	70	40
40092911	70	1	40093450	60	37	40103229	92	7
40092912	70	5	40093451	98	46	40104898	14	35
40092913	70	8	40093466	60	1	40104899	14	27
40092915	68	60	40093468	60	12	40104902	14	4
40092916	70	18	40093485	42	30	40104918	2	14
40092919	74	13	40096105	68	51	40104921	14	12
40092925	74	18	40096106	74	17	40106806	92	15
40092926	74	2	40096107	74	1	40106807	92	19
40092927	74	24	40096108	70	17	40106809	92	17
40092929	74	15	40096325	40	14	40107527	52	53-69
40092930	74	22	40096326	40	17	40107530	34	87
40092931	70	33	40096327	40	19	40107531	34	85
40092934	70	26	40096354	40	1	40107532	34	69
40092935	74	38	40096507	56	21	40107533	34	88
40092938	74	34	40096508	56	22	40107534	34	68
40092993	74	26	40097154	92	29	40107703	34	84
40092994	60	20	40097155	92	31	40108790	68	62
40092995	60	22	40097205	98	7	40108791	34	89
40092996	68	57	40097441	92	1	40108792	34	71
40092997	70	43	40099407	74	9	40109086	44	67

NUMERICAL INDEX OF PARTS

PART NO	PAGE	REF NO.	PART NO	PAGE	REF NO.	PART NO	PAGE	REF NO.
40109547	64	1	B1223771000	70	32	CM300100402	48	44
40109548	32	27	B14115520A0	12	70	CM300200001	62	50
40109549	70	3	B1414232000	28	30~32	CM300200002	2	43
40109550	66	16	B141423200A	28	30~32	CM300200002	62	53
40109551	64	25	B141423200B	28	30~32	CM600100101	56	14
40109552	64	32	B1414555000	12	72	CQ200000000	18	31
40109552	66	26	B1618804000	78	10	CS0400671TP	74	11
40110724	88	1	B1707210000	78	31	D7133555B00	2	26
40110725	88	6	B1815210000	18	43	E9567319000	46	21
40110726	88	11	B1816280000	32	8	EA9500B0100	8	28
40110812	12	52	B1820210D00	18	20	EA9500B0100	18	14
40110813	12	55	B1821210D00	18	21	EA9500B0100	34	82
40110825	10	11	B1822215P00	18	22	EA9500B0100	38	22
40110827	20	51	B18289800BB	18	10	EA9500B0100	66	43
40110830	18	45	B1903552000	10	34	EA9500B0100	74	44
40110836	10	2	B1908505000	10	26	EA9500B0100	82	101
40110838	10	8	B24142800A0	26	32	EA9500B0100	84	46
40110841	10	39	B24152800A0	26	31	EA9500B0100	90	48
40110842	10	40	B2416280000	26	30	EA9500B0100	94	5
40110856	18	38	B2417280000	26	21	EA9500B0200	38	23
40110932	74	8	B2418280000	26	29	EA9500B0200	66	36
40110934	68	52	B24212800A0	26	23	EA9500B0200	86	47
40110938	62	51	B242328000A	26	34~38	EA9500B0200	88	43
40111143	64	38	B242328000B	26	34~38	G2581312000	92	27
40111144	64	4	B242328000C	26	34~38	G5009172000	64	34
40111404	66	29	B242328000D	26	34~38	G5126172000	32	10
40111425	10	7	B242328000E	26	34~38	G5225254000	78	20
40111701	74	31	B2424280000	26	27	G5234254000	78	13
40111887	98	14	B2426280000	26	22	G5236254000	32	33
40111891	98	19	B2509704000	28	34	G5506254000	60	9
40111906	98	27·28	B3126012000	2	25	G6031870000	94	15
40111907	98	27·28	B3433552000	80	84	GAF01007000	12	64
40111910	98	36	B8101221DA0	42	1	GAK33032000	94	2
40111911	10	5	B8102221DA0	42	2	GES01022000	58	20
40112387	2	10	B8103221DA0	42	3	GPK470010AB	98	37
40112861	12	51	B8110373N00	42	10	GSS36020000	98	17
40112990	10	10	B8150221D00	42	4	GTR02013000	92	16
40112993	10	15	B8202205000	42	19	HA004250000	44	64
40112994	18	11	B9101490000	58	14	HA004250000	52	48·49
40123249	64	37	B9121012000	42	21	HA005820000	44	65
A123050000A	12	63	B91212200A0	58	4	HA005820000	52	48·49
B1129210000	2	41	BT0400251EB	42	42	HA006280000	8	29~31
B1132223C00	92	8	BT0600401EB	42	38	HA006280000	52	54~56
B1144210000	12	60	CM100100001	4	82	HA006280010	8	29~31
B1212210D00	12	59	CM300100001	48	43	HA006280010	52	54~56

NUMERICAL INDEX OF PARTS

PART NO	PAGE	REF NO.	PART NO	PAGE	REF NO.	PART NO	PAGE	REF NO.
HA006280020	8	29~31	HX003390000	38	26	NM6050003SC	64	8
HA006280020	52	54~56	HX003390000	46	36	NM6060001CP	14	39
HD00057000A	14	18	HX00354000B	56	12	NM6060001SC	4	89
HD00057000A	30	48	HX00354000N	96	51	NM6060001SC	94	37
HD00057000A	36	32	HX004070000	46	16	NM6060003SC	14	43
HD00057000A	52	68	HX004540000	68	67	NM6080001SC	42	36
HD00057000A	64	11	HX005110000	46	19	NM6080001SC	46	31
HD00057000A	66	41	J106600000C	58	16~19	NM6080001SC	60	7
HD00057000A	84	34	J106600000D	58	16~19	NM6080001SC	94	33
HD00057000A	88	44	J106600000F	58	16~19	NM6080003SC	60	8
HD002230000	26	14	J106600000G	58	16~19	NM6120003SE	42	11
HD002230000	28	42	J1067000A00	58	24	NM7040062SB	56	25
HD002230000	54	82	J1071000000	58	21	NS6110310SP	2	28
HD002780000	28	16	KM000000480	46	15	PA0601017A0	70	10
HD002780000	50	6·7	KX000000320	46	18	PA1001025A0	88	40
HE000520000	98	29·30	KX000000330	46	20	PA1002012A0	84	13
HE000530000	98	29·30	M300451100A	48	45	PA1003027A0	34	56
HF00130315S	48	46~48	M3801476000	46	28	PA1500505A0	70	24
HF0013050P0	48	46~48	M4206461000	46	32	PA1602013A0	80	92
HF003000200	48	46~48	M90206200A0	50	32	PA1602013A0	94	21
HW002180200	56	3	MAT81163T00	98	18	PA1604510A0	74	40
HX000130000	60	13	MDP170B1400	10	38	PA200100300	70	27
HX00056000B	60	46	MDP170B1402	58	3	PA3200503A0	70	37
HX001500000	74	36	MTJMS00000S	42	14	PB000010000	58	23
HX00150000A	66	47	NM3040520SC	46	39	PC010508000	82	93
HX00150000A	68	47	NM3040520SC	48	39	PC010508000	94	22
HX00150000B	20	61	NM3040520SC	74	20	PC012401000	74	43
HX00150000B	84	43	NM3040520SF	70	14	PC022403E00	84	18
HX00150000B	98	12	NM6030003SC	44	59	PF0205010C0	42	17
HX00150000C	34	80	NM6030003SC	80	73	PJ032039001	70	12
HX00150000C	70	41	NM6030003SC	92	22	PJ301040502	70	25
HX00150000C	74	21	NM6040000SN	2	36	PJ301060503	96	49
HX00150000D	18	1	NM6040001SC	8	16	PJ301065201	98	16
HX00150000D	42	26	NM6040001SP	14	7	PJ304040301	34	60
HX00150000D	60	43	NM6040001SP	26	5	PJ304040301	84	17
HX00150000H	8	26	NM6040003SC	34	61	PJ304040504	42	18
HX00150000H	60	17	NM6040003SC	68	71	PJ304040504	70	38
HX00150000K	38	24	NM6050001SC	44	56	PJ304040504	74	41
HX00150000L	68	64	NM6050001SC	66	22	PJ308040002	42	41
HX00150000N	60	18	NM6050001SC	78	91	PJ308060003	42	39
HX00188000E	60	16	NM6050001SC	80	91	PJ308060005	42	40
HX001890000	88	36	NM6050001SC	94	26	PJ309520001	58	22
HX002230000	84	45	NM6050001SE	40	24	PS0300102K0	44	54
HX00326000K	46	23	NM6050001SP	14	11	PS0400142KH	12	62
HX00337000A	98	10	NM6050001SP	26	8	PV150106000	98	40

NUMERICAL INDEX OF PARTS

PART NO	PAGE	REF NO.	PART NO	PAGE	REF NO.	PART NO	PAGE	REF NO.
PV1502060B0	96	48	SB30800100A	18	39~42	SL4040891SC	18	62
PX050501000	96	50	SB30800100B	18	39~42	SL4040891SC	20	62
PX5000100A0	74	42	SB30800100C	18	39~42	SL4040891SC	34	81
PX5000290A0	82	98	SB30800100D	18	39~42	SL4040891SC	46	40
RC0100001KP	94	35	SB406000100	32	29	SL4040891SC	48	40
RC0470611KP	14	44	SB710000200	88	7	SL4040891SC	60	44
RC0470611KP	84	16	SD0350156TP	36	25	SL4040891SC	66	65
RC0560711KP	4	57	SD0400266TP	36	9	SL4040891SC	68	65
RC1900001KP	88	8	SD0400266TP	96	46	SL4040891SC	84	44
RE0200000K0	36	8	SD0500091TP	26	24	SL4040891SC	98	13
RE0300000K0	18	23	SD0600206TP	14	31	SL4041081SC	48	49
RE0300000K0	88	31	SD0640216TP	14	45	SL4041091SC	8	27
RE0400000K0	4	58	SD0700406TP	14	25	SL4041091SC	42	27
RE0400000K0	34	59	SD0790606TP	14	38	SL4041091SC	48	42
RE0400000K0	78	60	SD0800327TP	14	10	SL4041091SC	60	19
RE0400000K0	80	60	SD0800327TP	26	7	SL4041281SC	28	43
RE0400000K0	94	39	SD0800327TP	78	46	SL4041291SC	26	15
RE0500000K0	78	56	SD0800406TP	36	23	SL4041491SC	74	37
RE0500000K0	80	56	SD0900706TP	98	35	SL4042591SC	56	24
RE0500000K0	94	29	SD1000406TP	14	42	SL4043591SC	48	38
RE0600000K0	64	33	SK3311600SC	42	20	SL4051091SC	42	34
RE0600000K0	66	28	SK3382001SE	60	52	SL6030692TN	96	52
RE0600000K0	70	20	SK3382001SE	62	52	SL6030892TN	80	71
RE0600000K0	74	23	SK3382001SE	92	14	SL6030892TN	84	29
RE0600000K0	92	26	SK3512001SE	44	62	SL6031292TN	74	30
RE0700000K0	32	34	SK3513201SE	42	66	SL6031492TN	64	17
RE0800000K0	10	21	SK3513201SE	44	66	SL6031642TN	42	16
RE0900000K0	22	3	SL4020591SC	28	17	SL6040692TN	34	77
RO048190100	78	36	SL4030581SC	72	47	SL6040842TN	92	18
SB104001600	10	24	SL4030681SC	56	11	SL6040892TN	6	92
SB106000300	78	8	SL4030681SC	84	37	SL6040892TN	64	39
SB106000400	80	59	SL4030691SC	62	48	SL6041092TN	8	20
SB106000500	32	30	SL4030881SC	56	13	SL6041092TN	60	23
SB106000700	80	66	SL4031081SC	64	12	SL6041092TN	64	29
SB107000400	74	12	SL4031081SC	66	42	SL6041092TN	66	20
SB108000500	64	30	SL4031081SC	84	35	SL6041092TN	70	42
SB108000500	66	24	SL4031081SC	88	45	SL6041092TN	74	25
SB108000700	32	15	SL4031091SC	36	33	SL6041092TN	80	65
SB108002200	10	27	SL4031291SC	14	19	SL6041092TN	90	47
SB108002200	68	56	SL4031291SC	30	49	SL6041242TN	64	35
SB108002200	72	48	SL4040681SC	22	46	SL6041292TN	84	12
SB108002300	10	30	SL4040881SC	46	41	SL6044092TN	44	68
SB110002400	14	3	SL4040881SC	48	41	SL6051092TN	44	48
SB110002400	18	9	SL4040881SF	38	19	SL6051292TN	60	45
SB306000400	82	102	SL4040891SC	8	18	SL6051292TN	70	2

NUMERICAL INDEX OF PARTS

PART NO	PAGE	REF NO.	PART NO	PAGE	REF NO.	PART NO	PAGE	REF NO.
SL6051292TN	78	100	SM4040855SP	14	47	SM6040602TN	44	51
SL6051292TN	80	100	SM4040855SP	16	47	SM6040602TN	74	35
SL6051292TN	82	100	SM4040855SP	26	17	SM6040602TN	94	42
SL6051692TN	64	5	SM4040855SP	28	51	SM6040602TP	22	14
SL6051692TN	66	18	SM4040855SP	30	51	SM6040650TP	2	38
SL6052092TN	64	27	SM4040855SP	38	25	SM6040650TP	18	63
SL6052092TN	66	3	SM4041001SN	66	44	SM6040650TP	20	63
SL6052592TN	12	56	SM4041055SP	2	12	SM6040650TP	28	53
SL6052592TN	80	78	SM4041655SP	28	11	SM6040650TP	30	53
SL6062042TN	60	10	SM4042055SP	28	19	SM6040650TP	32	12
SL6062092TN	66	33	SM4050855SP	2	6	SM6040650TP	36	11
SL6083092TN	46	29	SM4050855SP	38	15	SM6040652TP	34	70
SL9061293SE	42	12	SM4051405SE	40	23	SM6040652TP	74	14
SL9082093SE	42	32	SM4051655SP	14	2	SM6040802TN	22	9
SM0030601SC	4	86	SM4061255SP	2	34	SM6040802TN	42	44
SM0040601SC	60	42	SM5040655SN	4	67	SM6040802TN	66	72
SM0040601SC	68	70	SM5040855SN	2	80	SM6040802TN	68	72
SM0040601SC	98	11	SM5040855SN	4	80	SM6040802TN	70	44
SM0051001SC	60	40	SM6020350SP	36	15	SM6040802TN	74	27
SM0850801SC	32	43	SM6020402TN	70	6	SM6040802TN	88	28
SM0850801SC	74	33	SM6020450TP	36	19	SM6040802TP	8	22
SM1030400SP	34	86	SM6020460TP	18	44	SM6040802TP	14	17
SM1030601SN	84	5	SM6020602TN	70	4	SM6040802TP	30	55
SM1030601SP	10	12	SM6030402TP	28	5	SM6040802TP	32	48
SM1030601SP	28	7	SM6030402TP	34	49	SM6040802TP	34	48
SM1030801SN	92	30	SM6030500SN	70	9	SM6040802TP	36	31
SM1040650TP	2	11	SM6030502TN	66	8	SM6040802TP	82	96
SM1040650TP	26	39	SM6030502TP	36	27	SM6040802TP	84	7
SM1040650TP	28	41	SM6030600SP	34	51	SM6040802TP	92	11
SM1040801SC	94	44	SM6030602TN	78	95	SM6040860TP	2	42
SM1040801SP	80	82	SM6030602TN	80	95	SM6041000SP	32	7
SM2360110TP	36	6	SM6030602TN	82	95	SM6041002TN	68	68
SM3061052TP	28	3	SM6030602TN	88	38	SM6041002TN	80	87
SM3061652TN	32	2	SM6030602TN	94	47	SM6041002TP	32	67
SM4020600SP	36	17	SM6030602TN	96	47	SM6041002TP	34	67
SM4021201SC	38	13	SM6030602TP	32	76	SM6041002TP	78	38
SM4030455SP	18	29	SM6030602TP	34	76	SM6041002TP	84	33
SM4030601SN	2	44	SM6030602TP	80	47	SM6041050TP	22	16
SM4030601SN	36	35	SM6030800SP	34	55	SM6041050TP	80	80
SM4030601SN	94	13	SM6030802TN	80	51	SM6041150TP	2	20
SM4030855SN	2	30	SM6030802TN	88	26	SM6041150TP	28	22
SM4031201SC	44	58	SM6030802TP	32	41	SM6041200SP	36	29
SM4031201SC	92	21	SM6030802TP	80	72	SM6041202TN	88	16
SM4040655SN	42	25	SM6033002TN	70	11	SM6041202TP	8	15
SM4040655SP	8	24	SM6040502TP	18	3	SM6041202TP	32	28

NUMERICAL INDEX OF PARTS

PART NO	PAGE	REF NO.	PART NO	PAGE	REF NO.	PART NO	PAGE	REF NO.
SM6041202TP	84	2	SM8050412TP	8	11	SS7110740TP	32	20
SM6041602TP	8	7	SM8050412TP	98	23	TA0750704R0	4	48
SM6041602TP	98	33	SM8050502TP	4	74	TA0850604R0	4	49
SM6042002TP	8	12	SM8050512TP	32	17	TA1050504R0	4	50
SM6042002TP	98	25	SM8050512TP	78	58	TA1250406R0	4	51
SM6051002TN	64	9	SM8050512TP	80	58	TA1270502R0	4	52
SM6051002TN	68	55	SM8050512TP	88	21	TA1470704R0	4	53
SM6051602TP	80	90	SM8050592TP	26	2	TA1550902R0	4	54
SM6051602TP	94	25	SM8050592TP	88	18	TA2100904R0	4	55
SM6052002TN	44	55	SM8050612TP	74	19	WP0220300SC	36	37
SM6052502TN	64	6	SM8050612TP	88	14	WP0220300SC	70	7
SM6052502TN	66	21	SM80506A2TP	10	41	WP0320500SC	36	7
SM6053002TP	70	39	SM8052002TP	78	5	WP0320500SC	80	52
SM6060550TP	10	17	SM8060602TP	28	24	WP0320500SC	88	39
SM6061202TN	88	5	SM8060602TP	64	15	WP0370316SD	78	32
SM6061802TP	14	37	SM8060602TP	66	6	WP0410846SC	78	34
SM6062002TP	32	3	SM8060602TP	78	42	WP0430800SC	44	53
SM6062002TP	68	61	SM8060610TP	18	16	WP0430801SC	22	10
SM6067552TP	4	88	SM8060612TP	2	22	WP0430801SE	68	73
SM6082502TN	70	31	SM8060612TP	18	12	WP0430801SE	70	45
SM6084002TN	58	7	SM8060612TP	64	23	WP0430801SE	74	28
SM6087002TN	60	2	SM8060612TP	66	30	WP0431005SP	80	85
SM6087002TN	94	6	SM8060612TP	74	7	WP0450801SD	8	25
SM6088502TP	60	3	SM8060612TP	78	40	WP0450801SP	16	49
SM6450610TP	92	28	SM80606A2TP	10	4	WP0450801SP	26	3
SM6850802TN	76	46	SM8060812TP	10	58	WP0450801SP	28	20
SM7030550TP	10	37	SM8060812TP	12	58	WP0450801SP	36	36
SM8030302TP	32	79	SM8060812TP	14	21	WP0450801SP	92	33
SM8030302TP	34	79	SM8060812TP	18	17	WP0450826SC	4	68
SM8030312TP	74	10	SM8060812TP	26	10	WP0450846SP	26	19
SM8030412TP	22	7	SM8060812TP	28	29	WP0460556SD	68	69
SM8030412TP	34	58	SM8060812TP	70	19	WP0461516SH	92	32
SM8030412TP	74	39	SM8060812TP	74	3	WP0531000SC	94	23
SM8030412TP	84	27	SM8061050TP	20	47	WP0531001SC	40	22
SM8040310SS	12	68	SM8061612TP	24	47	WP0531001SC	64	10
SM8040312TP	80	77	SM8480652TP	10	14	WP0531001SC	66	23
SM8040412TP	88	34	SM8480652TP	20	52	WP0531001SC	82	99
SM8040412TP	98	32	SM8480652TP	28	36	WP0602016SP	80	55
SM8040502TP	80	69	SS1060210TP	26	25	WP0612056SD	4	87
SM8040502TP	84	9	SS5060310SP	16	52	WP0621016SD	28	4
SM8040512TP	78	63	SS6090670TP	12	71	WP0621016SD	32	4
SM8040512TP	80	63	SS6110430TP	26	33	WP0641600SC	42	24
SM8040612TP	84	31	SS6121212TP	20	50	WP0641601SC	94	38
SM8040802TP	4	76	SS7090410SP	26	28	WP0820516SP	12	50
SM8050402TP	14	14	SS7110740TP	26	20	WP0820526SD	64	24

NUMERICAL INDEX OF PARTS

PART NO	PAGE	REF NO.
WP0820526SD	66	11
WP0820526SD	70	29
WP0841601SC	46	30
WP0841601SC	60	4
WP0841601SC	94	34
WP0850002SC	94	3
WP0852086SC	4	91
WP0852086SC	42	35
WP0852086SC	60	5
WP0951016SP	80	86
WP1612616SE	40	15
WP2103001SE	88	9
WS0410002KN	44	52
WS0410002KN	80	88
WS0510002KN	40	21
WS0610002KN	4	90
WS0820002KN	60	6
WS0820002KN	94	4
WZ2200300KP	88	10