

MODEL : AMS-210EN SERIES

List No : 1526-07

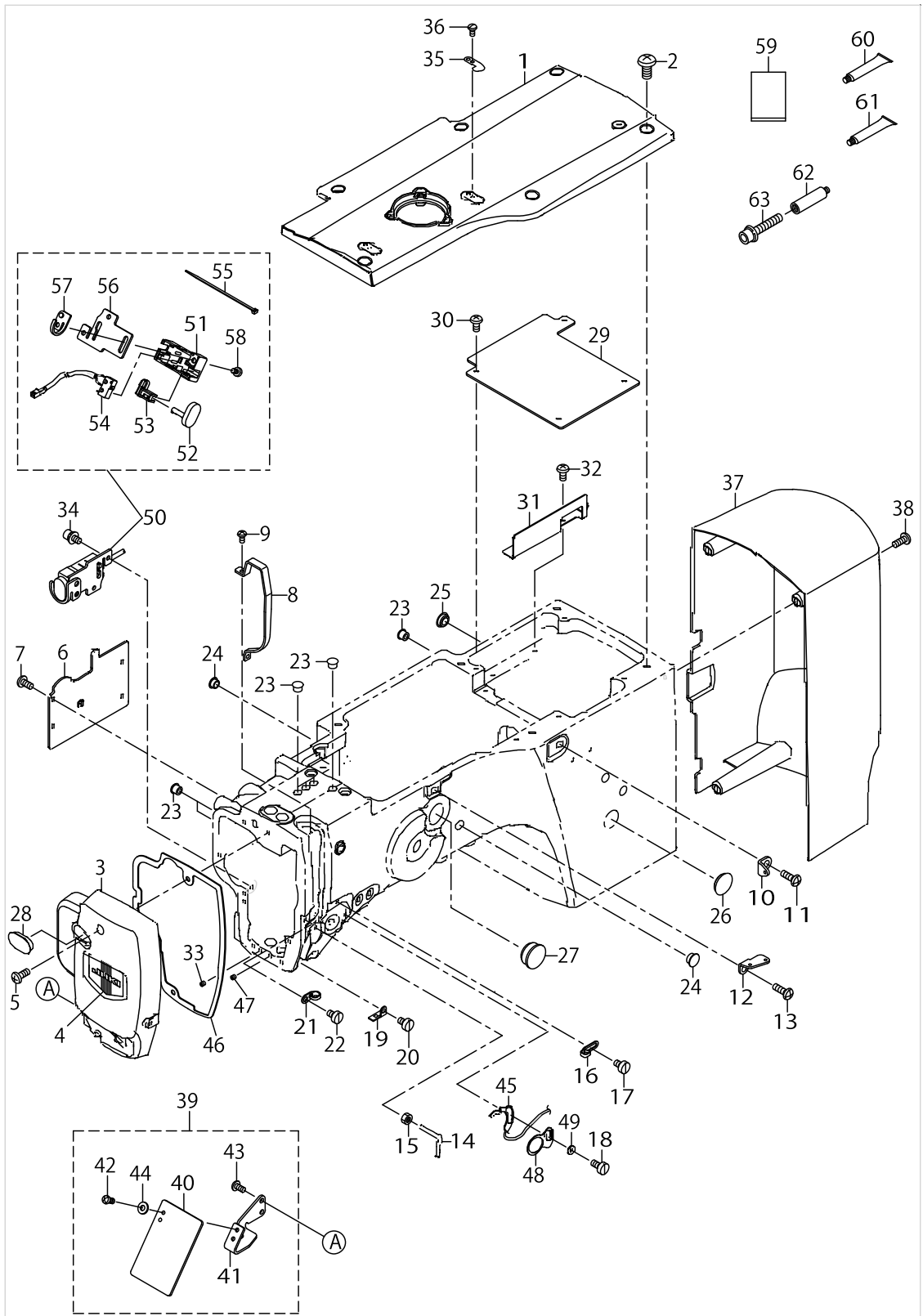
PARTS LIST

Published:05/12/2017

CONTENTS

FRAME & MISCELLANEOUS COVER COMPONENTS (1)	1
FRAME & MISCELLANEOUS COVER COMPONENTS (2)	5
FRAME & MISCELLANEOUS COVER COMPONENTS (3)	9
MAIN SHAFT & NEEDLE BAR COMPONENTS	13
PRESSER MECHANISM & PRESSER VARIABLE COMPONENTS (1)	19
PRESSER MECHANISM & PRESSER VARIABLE COMPONENTS (2)	23
PRESSER PLATE & MANUAL PRESSER MECHANISM COMPONENTS	27
SHUTTLE DRIVER SHAFT COMPONENTS	31
WIPER MECHANISM COMPONENTS	35
TENSION RELEASE & THREAD TENSION COMPONENTS	37
THREAD TRIMMER MECHANISM COMPONENTS	41
THREAD CLAMP COMPONENTS	43
X-Y COMPONENTS (1)	45
X-Y COMPONENTS (2)	49
CLOTH FEED MECHANISM COMPONENTS (TYPE S)	51
CLOTH FEED MECHANISM COMPONENTS (TYPE L)	55
TABLE COMPONENTS	59
PNEUMATIC COMPONENTS (TYPE L, ACCESSORIE PARTS)	63
THREAD STAND COMPONENTS	65
OPERATION PANEL COMPONENTS	67
CONTROL BOX COMPONENTS	71
WIRING DIAGRAM	75
PEDAL COMPONENTS	79
ACCESSORIE PARTS COMPONENTS	81
OPTIONAL PART COMPONENTS (1)	83
OPTIONAL PART COMPONENTS (2)	89
OPTIONAL PART COMPONENTS (3)	95
LIST FOR INFORMATION OF CHANGE	97
HOW TO MAKE USE OF THIS PARTS LIST	98

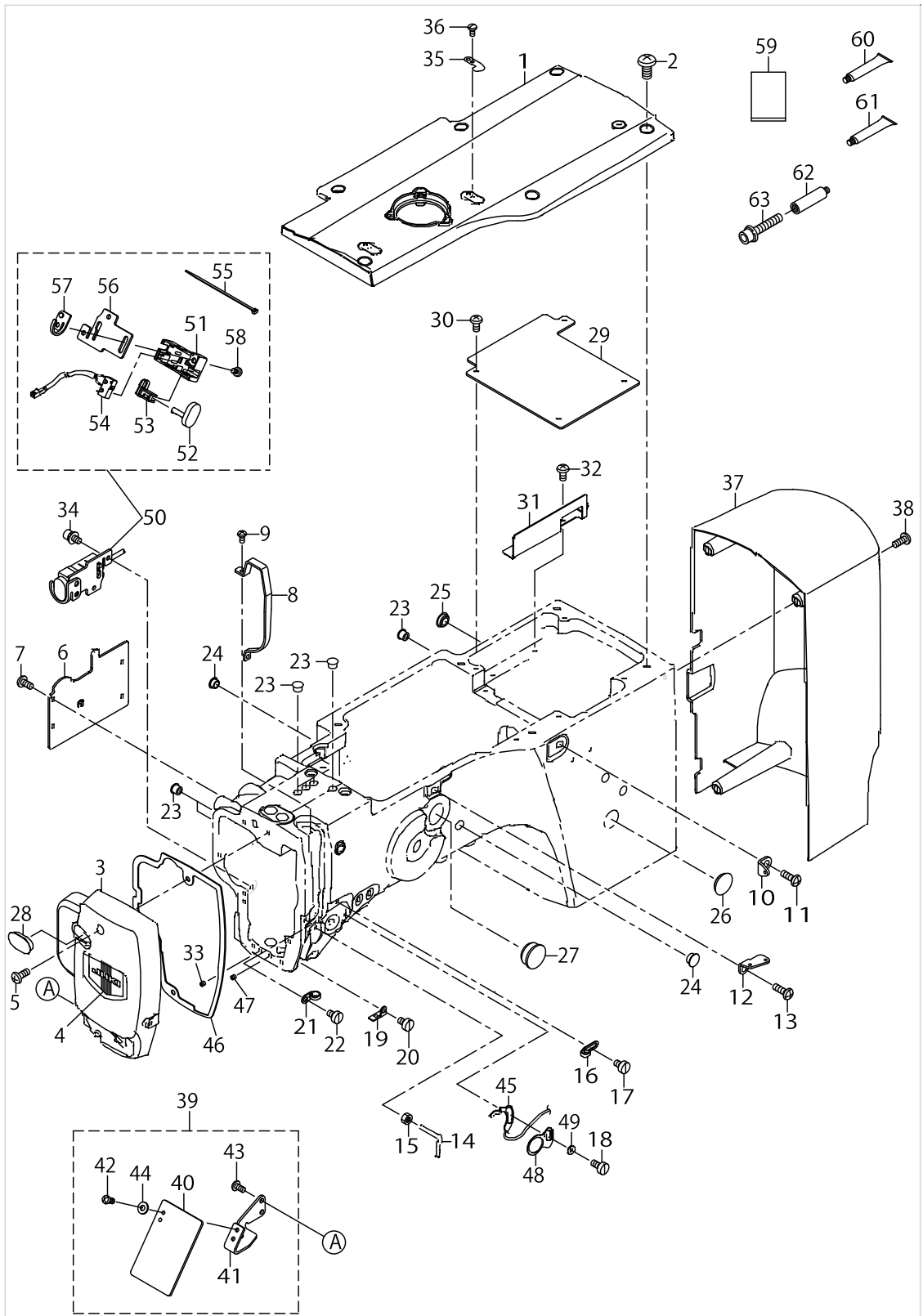
FRAME & MISCELLANEOUS COVER COMPONENTS (1)



FRAME & MISCELLANEOUS COVER COMPONENTS (1)

No.	Supply Code	Parts No.	Replacement	Parts name	Remarks	Choice	Step	Level	Cons	Qty	Rep. QTY
1		40077945		UPSIDE_COVER						1	
2		SM4061255SP		SCREW M6 L=12						6	
3		40026979		FACE_COVER						1	
4		22902506		FACE PLATE						1	
5		SM4041055SP		SCREW						2	
6		40024999		PRESSER_COVER						1	
7		SM4040855SP		SCREW						4	
8		40030828		THREAD_TAKE_UP_LEVER_COVER						1	
9		SM4030601SN		SCREW M3X6						2	
10		40010414		THREAD_GUIDE_NO.1						1	
11		SM4061255SP		SCREW M6 L=12						1	
12		26211904		THREAD GUIDE PLATE						1	
13		SM4061255SP		SCREW M6 L=12						1	
14		40025414		L_SHAPED_THREAD_GUIDE						1	
15		NM6040000SN		NUT M4						1	
16		22920508		ARMTHREADGUIDEA						1	
17		SM6040650TP		SCREW						1	
18		SM6040860TP		SCREW M4 L=8						1	
19		B1129210000		FRAME THREAD GUIDE (B)						1	
20		SM6040650TP		SCREW						1	
21		13705108		TAKE-UP THREAD GUIDE B						1	
22		SM6040650TP		SCREW						1	
23		TA0850604R0		RUBBER PLUG						7	
24		TA1050504R0		RUBBER PLUG						3	
25		TA1250406R0		RUBBER PLUG D=12.5 L=4						1	
26		TA2050406R0		RUBBER PLUG						1	
27		TA2351004R0		RUBBER PLUG						1	
28		40028877		FACE_COVER_CAP						1	
29		40024998		CRANK_ROD_COVER						1	
30		SM4040855SP		SCREW						4	
31		40084115		GREASE PLATE						1	
32		SM4040855SP		SCREW						2	
33		SM8040412TP		SET SCREW M4 L=4						1	
34		SL6040892TN		BOLT						2	
35		10502300		THREAD CUTTER						1	
36		SM4030601SN		SCREW M3X6						1	
37		40027971		MOTOR_COVER						1	
38		SM4041055SP		SCREW						4	
39		40006484		SAFETY PLATE COMPL.						1	
40	R	B3120372000	26037200	SAFETY PLATE				*		1	1.00
41		40051987		SAFETY PLATE BASE				*		1	
42		SM4040655SP		SCREW M4 L=6				*		2	
43		SM4040855SP		SCREW				*		2	
44		WP0450801SD		WASHER 4.5X10X0.8				*		2	
45		40032511		THB_SENSOR_CABLE_ASM.						1	
46		40050509		FACE_COVER_CUSHION						1	

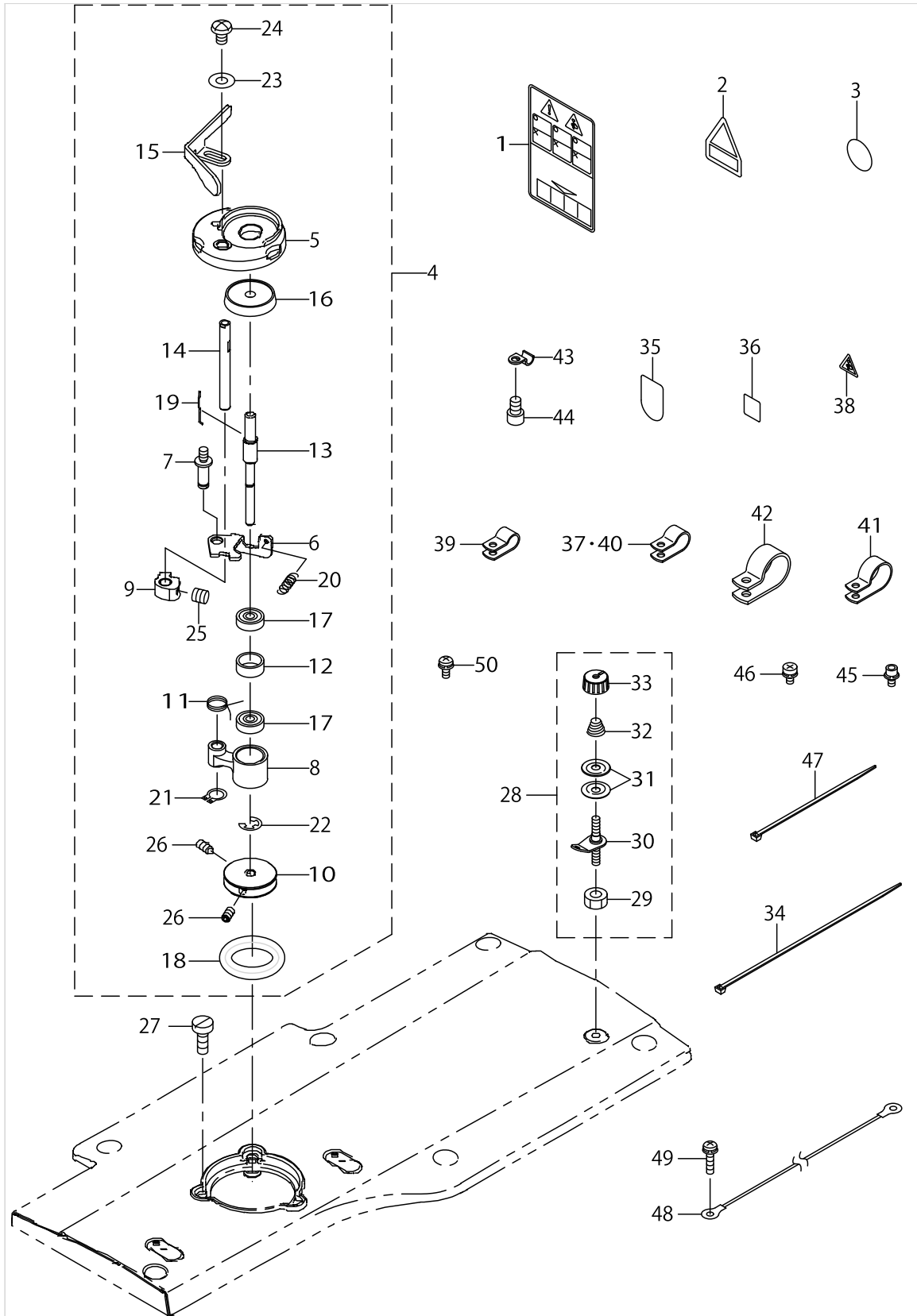
FRAME & MISCELLANEOUS COVER COMPONENTS (1)



FRAME & MISCELLANEOUS COVER COMPONENTS (1)

No.	Supply Code	Parts No.	Replacement	Parts name	Remarks	Choice	Step	Level	Cons	Qty	Rep. QTY
47		SM8040412TP		SET SCREW M4 L=4						1	
48		40028834		GUIDE_PLATE						1	
49		40028835		BUSHING						1	
50		40029632		STOP SW ASM.						1	
51		23631708		REVERSE FEED SWITCH COVER				*		1	
52		23631807		REVERSE FEED SWITCH SHAFT				*		1	
53		23631906		REVERSE FEED SWITCH SUPPORT				*		1	
54		40029631		STOP SW CORD ASM				*		1	
55		EA9500B0100		CABLE BAND				*		1	
56		32002305		STOP SW BRACKET				*		1	
57		32002404		STOP SW GUIDE				*		1	
58		SS7110740TP		SCREW 11/64-40 L=7				*		1	
59		40031336		FLAT_BAG						1	
60		40013640		JUKI_GREASE_B_TUBE						1	
61		40006323		JUKI GREASE A TUBE						1	
62		40036110		GREASE_JOINT_B						1	
63		SL6084092TN		BOLT						1	

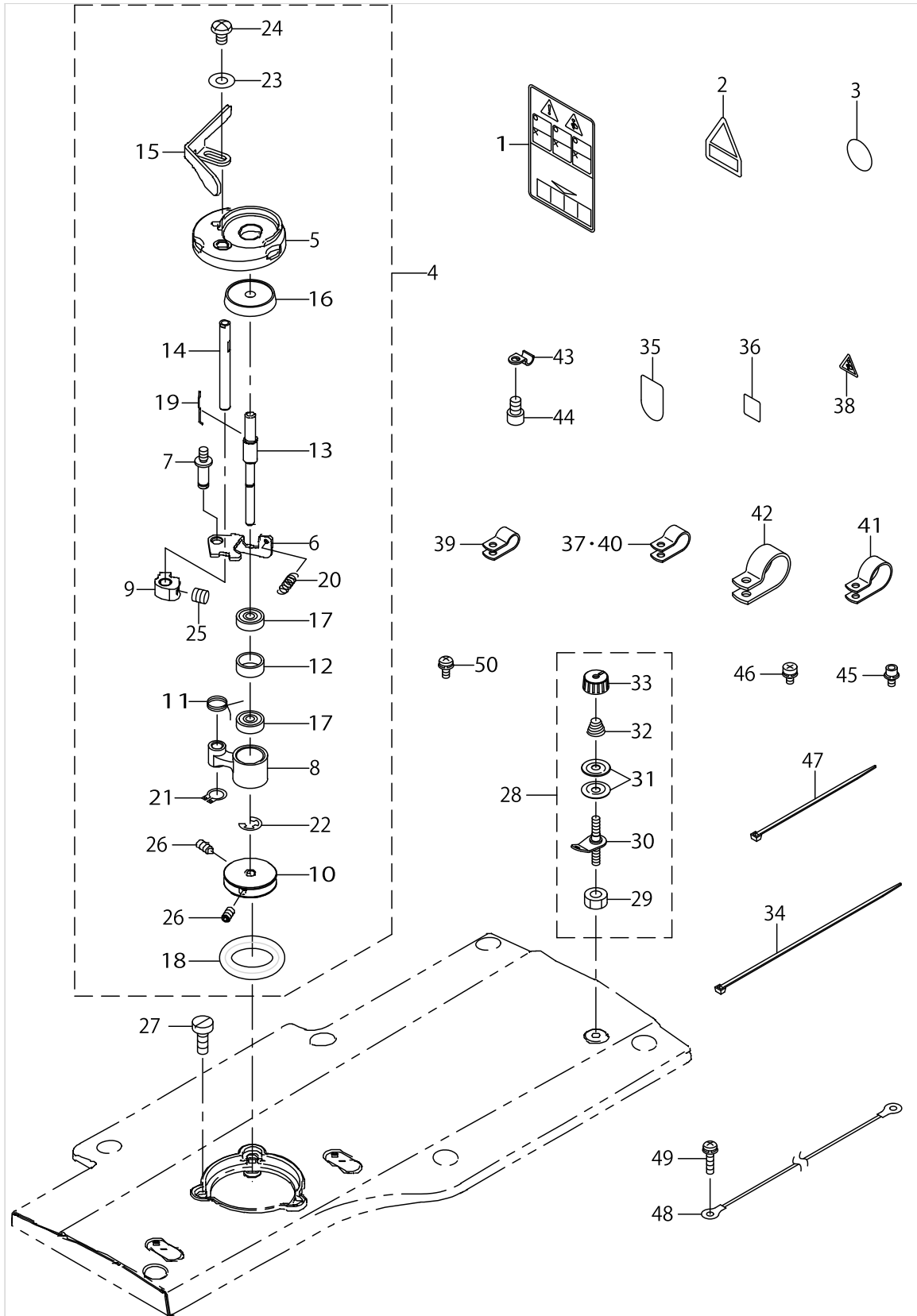
FRAME & MISCELLANEOUS COVER COMPONENTS (2)



FRAME & MISCELLANEOUS COVER COMPONENTS (2)

No.	Supply Code	Parts No.	Replacement	Parts name	Remarks	Choice	Step	Level	Cons	Qty	Rep. QTY
1		CM301200001		SAFETY LABEL_S						1	
2		CM300200003		ATTENTION LABEL						1	
3	R	10004109	22901805	GROUND MARK						1	1.00
4		40028338		BOBBIN_WINDER_UNIT						1	
5	R	26260109	26260000	BTW_BASE				*		1	1.00
6		26260208		BTW_CAM_PLATE				*		1	
7		26260307		BTW_BASE_SHAFT				*		1	
8		26260406		BTW_SHAFT_BASE				*		1	
9		26260505		BTW_CAM_LEVER				*		1	
10		26260604		BTW_WHEEL				*		1	
11		26260703		BTW_TORSION_SPRING				*		1	
12	R	26260802	26260000	BTW_BEARING_SPACER				*		1	1.00
13		40023865		BTW_SHAFT				*		1	
14	D	40023866		BTW_LEVER_SHAFT				*		1	
15		40030829		BTW_LEVER				*		1	
16		26261206		BTW_SPACER				*		1	
17	R	26261305	26260000	BTW_BEARING				*		2	1.00
18		26261503		BTW_WHEEL_RUBBER				*	☆	1	
19		26261602		BOBBIN_SPRING				*		1	
20		26261701		BTW_SPRING				*		1	
21		RC0560711KP		RETAINING RING				*		1	
22		RE0400000K0		E-RING 4				*		1	
23		WP0450826SC		WASHER 4.5X10X0.8				*		1	
24		SM5040655SN		SCREW				*		1	
25		SM8050502TP		SCREW M5 L=5				*		1	
26		SM8040802TP		SCREW M4X8				*		2	
27		SM6041150TP		SCREW						3	
28		14113468		BOBBIN THREAD TENSION ASM.						1	
29		NS6110310SP		NUT 11/64-40				*		1	
30		14113450		BOBBIN THREAD T- ENSION ROD ASM.				*		1	
31	R	B3126012000	22921506	THREAD TENSION DISK				*		2	1.00
32		D7133555B00		CONNECTING ROD SPRING				*		1	
33		11072402		THREAD TENSION NUT				*		1	
34		EA9500B0200		CABLE BAND 150						2	
35		CM100100001		OIL INJECTION PR- OHIBITION LABEL						1	
36		CM600100101		WEEE MARK LABEL S	FOR JE					1	
37		HX00150000D		CABLE CLIP						5	
38		CM300200001		ATTENTION SEAL						6	
39		HX00150000C		CABLE BAND						4	
40		HX00150000D		CABLE CLIP	FOR 2210					1	
41		HX00150000H		CABLE CLIP						1	
42		HX00150000K		CABLE CLIP						1	
43		B3538112000		OIL RETURN TUBE HOLDER						2	
44		SM6040602TP		SCREW M4 L=6						2	
45		SL6040892TN		BOLT						2	

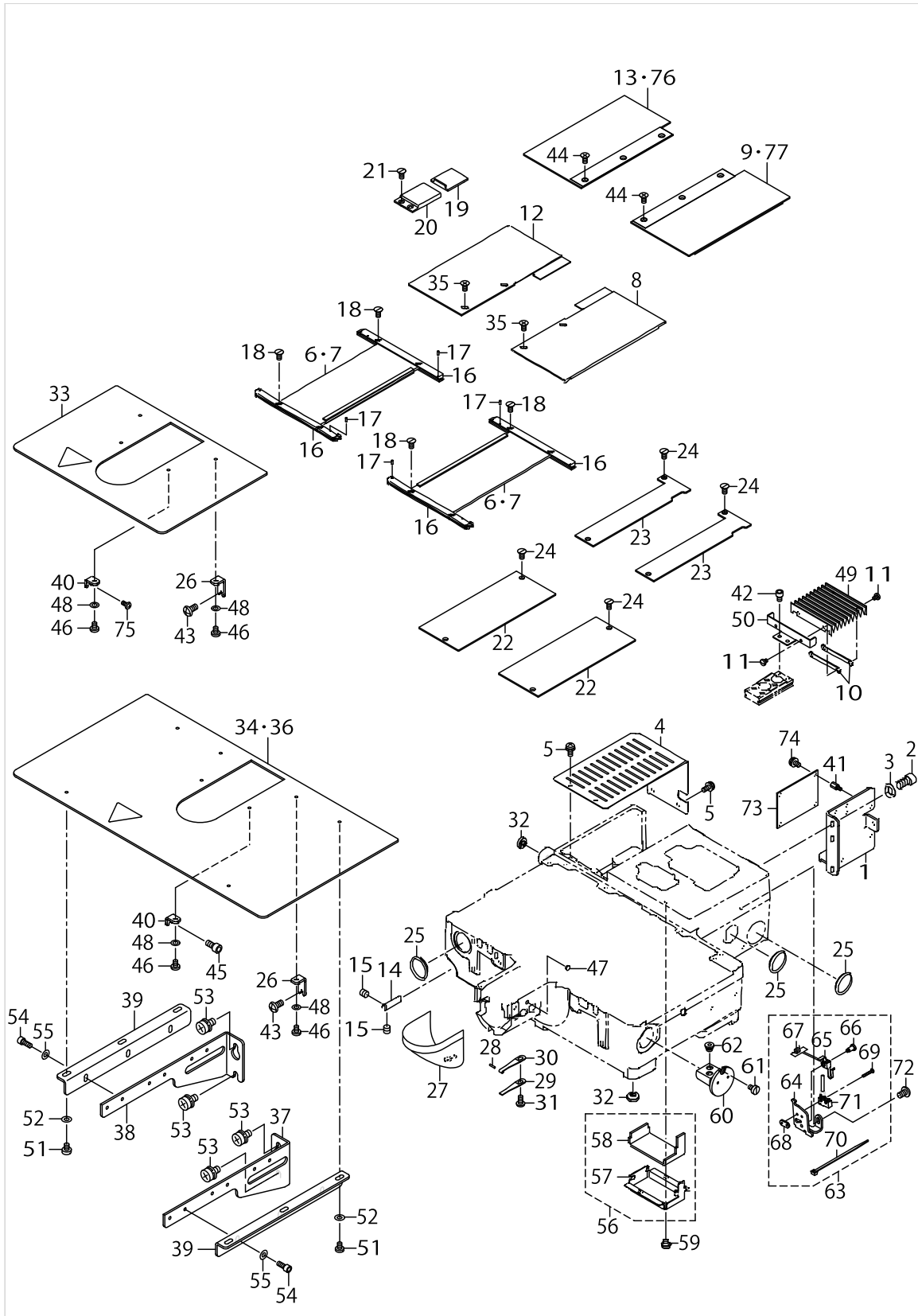
FRAME & MISCELLANEOUS COVER COMPONENTS (2)



FRAME & MISCELLANEOUS COVER COMPONENTS (2)

No.	Supply Code	Parts No.	Replacement	Parts name	Remarks	Choice	Step	Level	Cons	Qty	Rep. QTY
46		SL4040891SC		SCREW M4 L=8						4	
47		EA9500B0100		CABLE BAND						6	
48		40005712		EARTH CODE ASM						1	
49		SL4041891SC		SCREW M4 L=18						1	
50		SL4041091SC		SCREW M4 L=10						5	

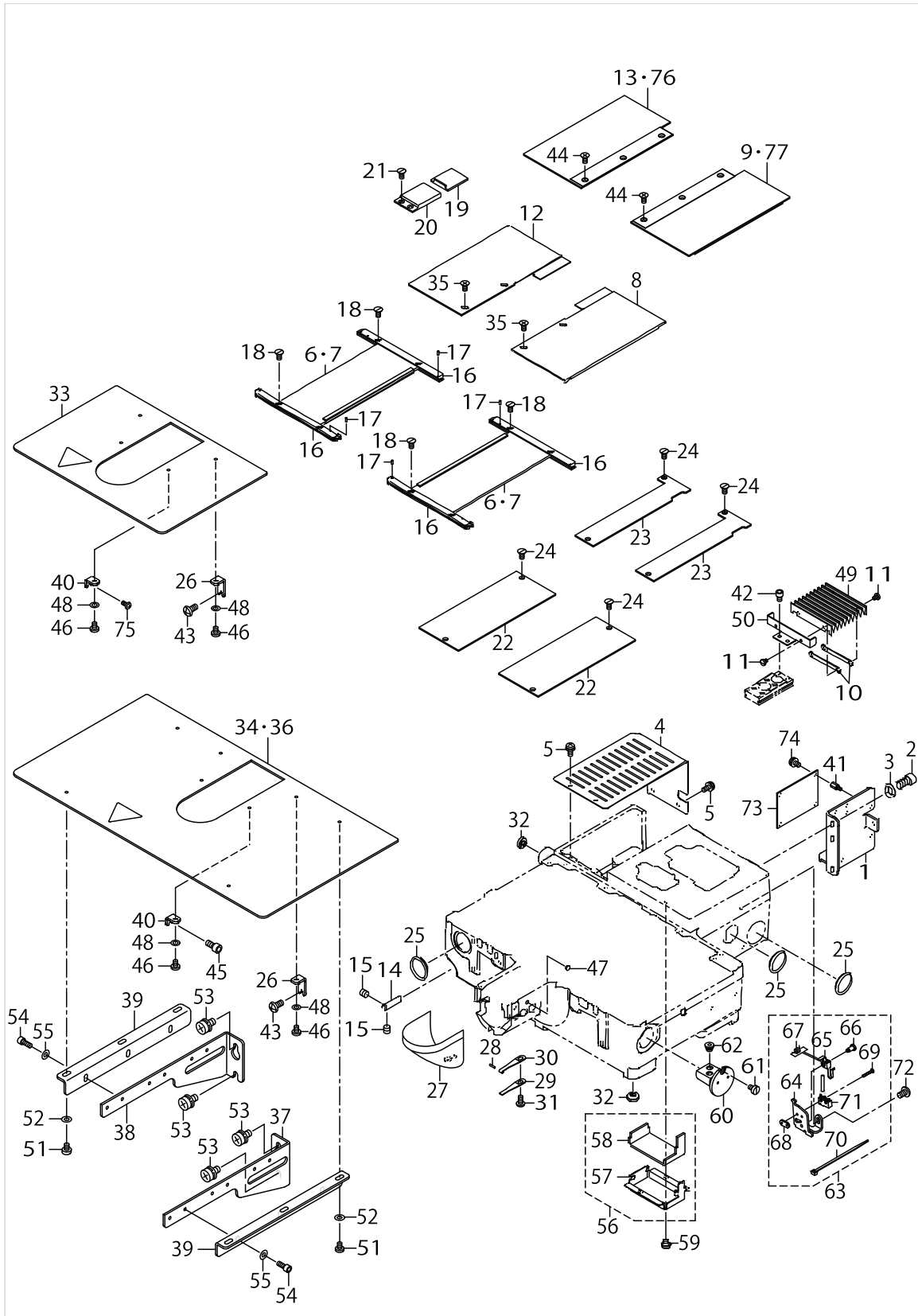
FRAME & MISCELLANEOUS COVER COMPONENTS (3)



FRAME & MISCELLANEOUS COVER COMPONENTS (3)

No.	Supply Code	Parts No.	Replacement	Parts name	Remarks	Choice	Step	Level	Cons	Qty	Rep. QTY
1		40024997		LIFTER_BASE						1	
2		SM6061202TP		SCREW M6 L=12						2	
3		WP0651001SC		WASHER						2	
4	D	40025017		X_MOTOR_COVER						1	
5		SL4041091SC		SCREW M4 L=10						5	
6		40025018		X MOVEMENT LOWER COVER ASM.	FOR 1306					2	
7		40036457		X_MOVEMENT_LOWER_COVER_ASM	FOR 1510,2210					2	
8		40025023		X MOVEMENT UPPER COVER R ASM.	FOR 1306					1	
9		40036459		X_MOVEMENT_UPPER_COVER_R_ASM	FOR 1510					1	
10		40036468		FEED_COVER_PLATE	FOR 1510,2210					2	
11		SM7030450SC		SCREW M3X0.5 L=3.5	FOR 1510,2210					4	
12		40025021		X MOVEMENT UPPER COVER L ASM.	FOR 1306					1	
13		40036461		X_MOVEMENT_UPPER_COVER_L_ASM	FOR 1510					1	
14		40009290		HINGE STUD						2	
15		SM8060612TP		SCREW M6 L=6						4	
16		B1181210D00		X MOVEMENT COVER RAIL						4	
17		PS0150042K0		SPRING PIN 1.5X4						4	
18		SM1040870TP		SCREW						8	
19		B1123210000		Y DRIVE COVER	FOR 1306					1	
20		B1124210000		Y FIXED COVER	FOR 1306					1	
21		SM1040870TP		SCREW	FOR 1306					2	
22		40025031		FEED BASE COVER	FOR 1306					2	
23		40036464		FEED_BASE_COVER	FOR 1510,2210					2	
24		SM1040870TP		SCREW						4	
25		B8267180000		RUBBER PLUG						3	
26		40025015		COVER_SUPPORT_A						2	
27	R	138168M8	40142674	HOOK COVER ASM.						1	1.00
28		31262801		PIN						1	
29		26221200		HOOK COVER PRESSER SPRING B						1	
30		26221101		HOOK COVER PRESSER SPRING A						1	
31		SM5040855SN		SCREW						1	
32		B1116210D00		FRAME SUPPORT RUBBER						6	
33		40083740		NEEDLE_PLATE_SUPPORT_COVER_ASM	FOR 1306					1	
34		40083741		NEEDLE_PLATE_SUPPORT_COVER_ASM	FOR 1510					1	
35		SM1040801SP		SCREW M4X0.7 L=8	FOR 1306					4	
36		40083742		NEEDLE_PLATE_SUPPORT_COVER_ASM	FOR 2210					1	
37		40039546		COVER_SUPPORT_R	FOR 1510,2210					1	
38		40039547		COVER_SUPPORT_L	FOR 1510,2210					1	
39		B1132223C00		COVER BASE	FOR 1510,2210					2	
40		40086367		COVER SUPPORT B						2	
41		HX003390000		STUD						4	
42		SM6040602TP		SCREW M4 L=6	FOR 1510,2210					2	
43		SM4051055SP		SCREW						2	

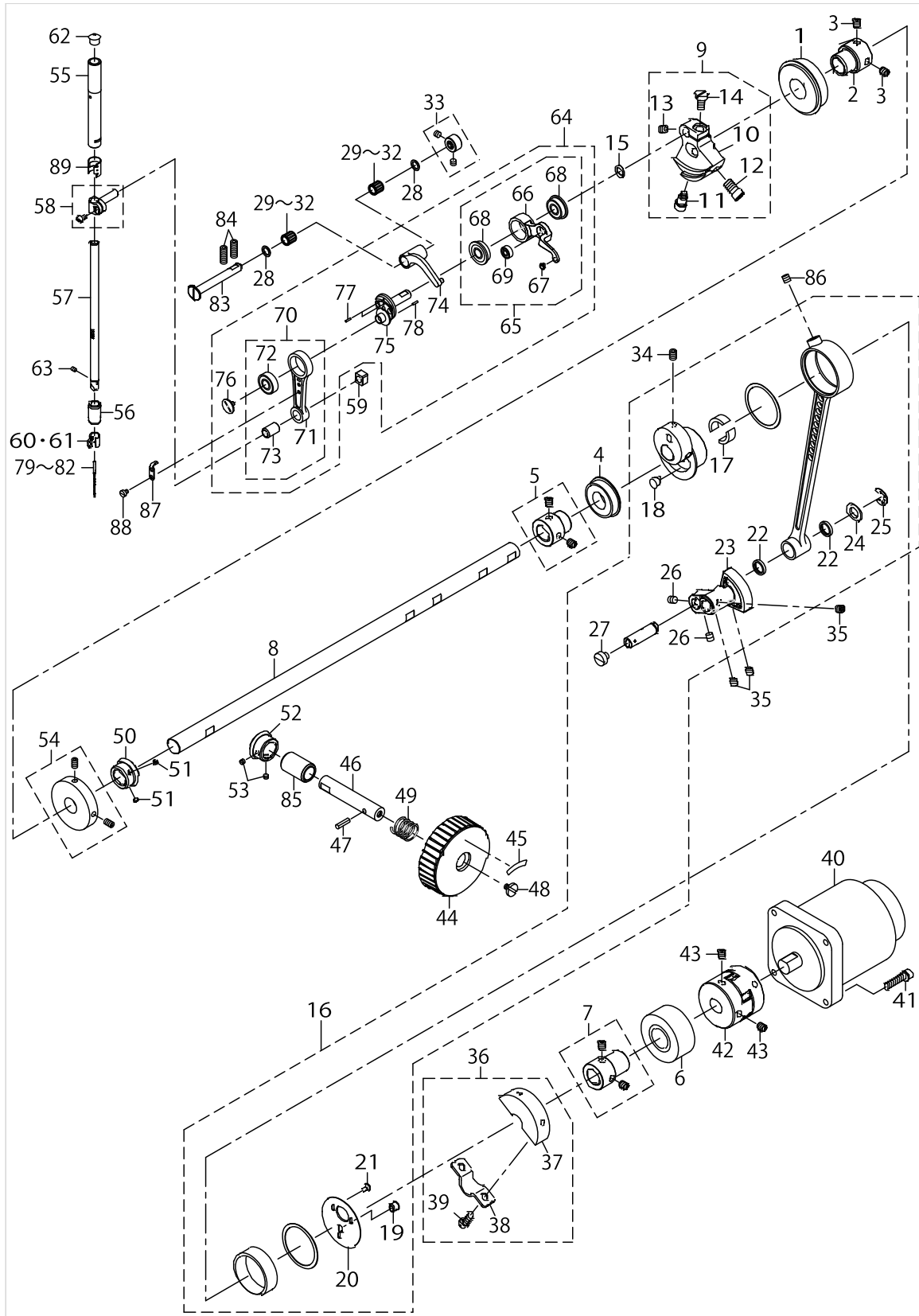
FRAME & MISCELLANEOUS COVER COMPONENTS (3)



FRAME & MISCELLANEOUS COVER COMPONENTS (3)

No.	Supply Code	Parts No.	Replacement	Parts name	Remarks	Choice	Step	Level	Cons	Qty	Rep. QTY
44		SM1040801SP		SCREW M4X0.7 L=8	FOR 1510,2210					6	
45		SM6051002TP		SCREW M5X0.8 L=10	FOR 1510,2210					2	
46		SM6450610TP		SCREW						4	
47		TA0750404R0		PLUG D=7.5 L=3.5						1	
48		WP0430800SD		WASHER M4						4	
49		40036465		FEED_COVER	FOR 1510,2210					1	
50		40036467		FEED_COVER_STAY	FOR 1510,2210					1	
51		SM6450610TP		SCREW	FOR 1510,2210					4	
52		WP0450801SP		WASHER	FOR 1510,2210					4	
53		SL9061291SE		WASHER HEXAGON- AL BOLT M6 L=12	FOR 1510,2210					4	
54		SM6041002TP		SCREW M4 L=10	FOR 1510,2210					6	
55		WP0450801SP		WASHER	FOR 1510,2210					6	
56		40026829		GEAR_COVER_ASM.						1	
57	R	40026830	40026829	GEAR_COVER				*		1	1.00
58	D	40026831		GEAR_COVER_FELT				*		1	
59		SL4040681SC		COMBINATION SCREW M4X8						2	
60		40006836		OIL TANK ASM.						1	
61		SM6040650TP		SCREW						1	
62		40006840		RUBBER BUSH						2	
63		40029776		SAFTY_SW_ASM.						1	
64	R	40006496	40006495	SAFETY_SW_BASE				*		1	1.00
65		23638109		SAFETY SWITCH ARM				*		1	
66	R	40006497	40006495	SAFETY_SW_ARM_SHAFT				*		1	1.00
67	R	23638208	23638059	SAFETY SWITCH SPRING				*		1	1.00
68	R	23638406	23638059	SAFETY SWITCH NUT				*		1	1.00
69		SM4021201SC		SCREW M2 L=12				*		2	
70		EA9500B0100		CABLE BAND				*		1	
71	D	40029633		SAFETY SW CORD ASM.				*		1	
72		SM4050855SP		SCREW						1	
73		40032512		INT_PCB_ASM.						1	
74		SL4040891SC		SCREW M4 L=8						3	
75		SM4051055SP		SCREW	FOR 1306					2	
76		40039534		X MOVEMENT UPPE- R COVER L ASM	FOR 2210					1	
77		40039532		X MOVEMENT UPPE- R COVER R ASM	FOR 2210					1	

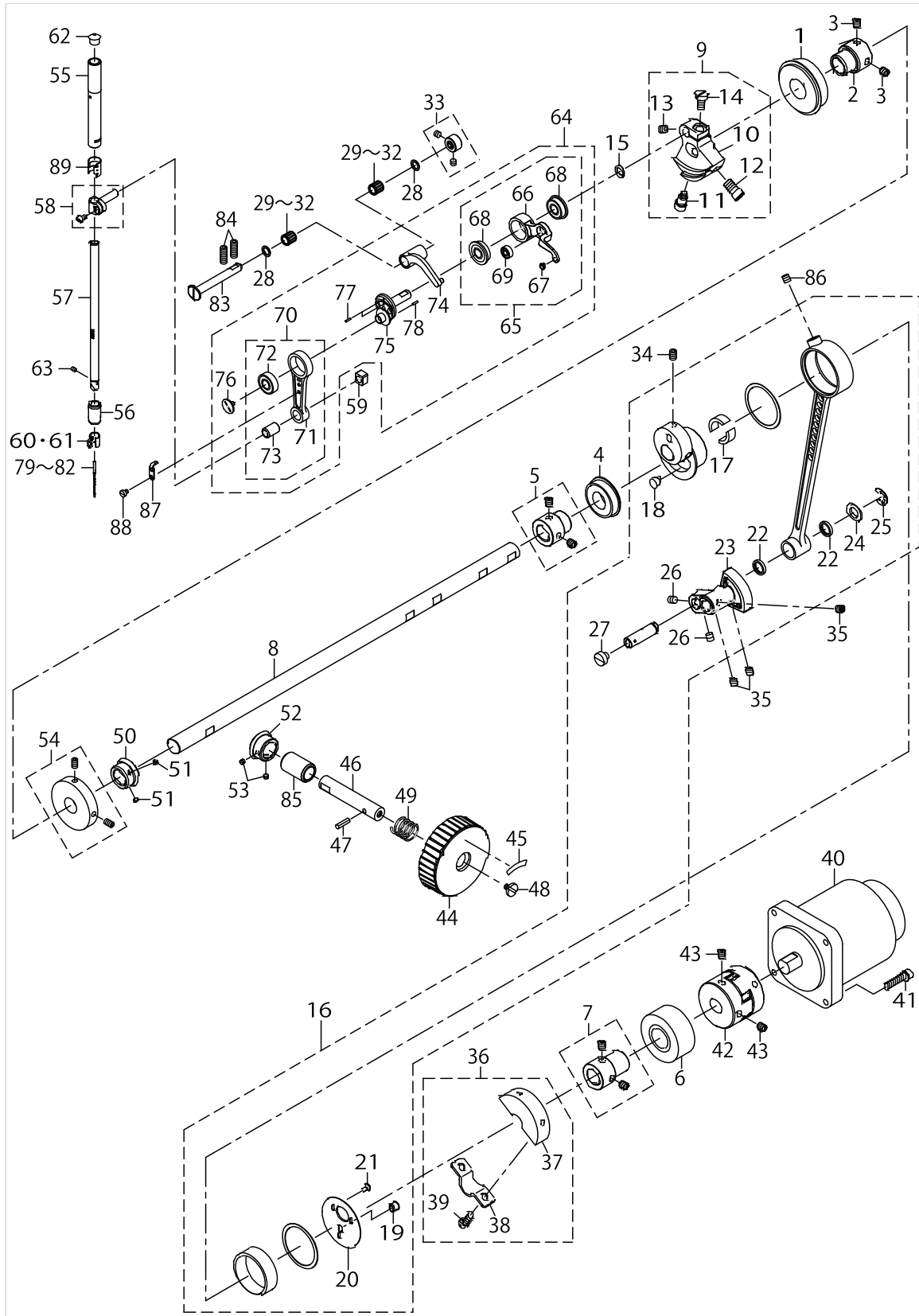
MAIN SHAFT & NEEDLE BAR COMPONENTS



MAIN SHAFT & NEEDLE BAR COMPONENTS

No.	Supply Code	Parts No.	Replacement	Parts name	Remarks	Choice	Step	Level	Cons	Qty	Rep. QTY
1		SB12000900		BEARING						1	
2		23604200		MAIN SHAFT BEARING SUPPORT						1	
3		SM8060812TP		SCREW M6 L=8						2	
4		SB120001800		BEARING						1	
5		40010415		BEARING_BUSH_A_ASM.						1	
6		SB120001700		BEARING						1	
7		40010418		BEARING_BUSH_B_ASM.						1	
8		40025417		MAIN SHAFT						1	
9		40010422		COUNTER_WEIGHT_ASM.						1	
10	R	40010423	40010422	COUNTER_WEIGHT				*		1	1.00
11		40010424		COUNTER_WEIGHT_SCREW_A				*		1	
12		40010425		COUNTER_WEIGHT_SCREW_B				*		1	
13		40010426		COUNTER_WEIGHT_SCREW_C				*		1	
14		40010427		COUNTER_WEIGHT_SCREW_D				*		1	
15		WP0820516SP		WASHER 11.6X8.2X0.6						1	
16		40089367		CRANK ROD ALL ASM.						1	
17		40006555		UNDER CAM FELT				*		2	
18		TA0670604R0		PLUG D=6.7 L=6				*		1	
19		TA0670604R0		PLUG D=6.7 L=6				*		1	
20		40010421		CRANK_ROD_SUPPORT_PLATE				*		1	
21		SM1030601SP		SCREW M3 L=6				*		3	
22		10108009		OIL SEAL				*		2	
23	R	40006561	40089367	OSCILLATOR				*		1	1.00
24		40026818		WASHER				*		1	
25		RE0800000K0		E-SHAPED SNAP RING (8MM)				*		1	
26		SM8480652TP		SCREW				*		2	
27		SM6060550TP		SCREW M6 L=4.5				*		1	
28		22891204		BEARING SUPPORT						2	
29		SB30700020A		BEARING	SELECTIVE PARTS					2	
30		SB30700020B		BEARING	SELECTIVE PARTS					2	
31		SB30700020C		BEARING	SELECTIVE PARTS					2	
32		SB30700020D		BEARING	SELECTIVE PARTS					2	
33		40010434		THRUST_COLLAR_ASM.						1	
34		SM8060812TP		SCREW M6 L=8						2	
35		SM8480652TP		SCREW						3	
36		40010437		CRANK_BALANCER_ASM.						1	
37	R	40010438	40010437	CRANK_BALANCER				*		1	1.00
38		40010439		CRANK_BALANCER_FIX_PLATE				*		1	
39		40010440		CRANK_BALANCER_FIX_PLATE_SCREW				*		2	
40		40052937		SERVO MOTOR 550W						1	
41		SL6052592TN		BOLT						4	
42	R	23604309	40051473	COUPLING						1	1.00
43		SM8060812TP		SCREW M6 L=8						4	
44		B1212210D00		PULLEY						1	
45		B1144210000		REVOLVING DIRECTION LABEL						1	
46		40044053		PULLEY SHAFT						1	

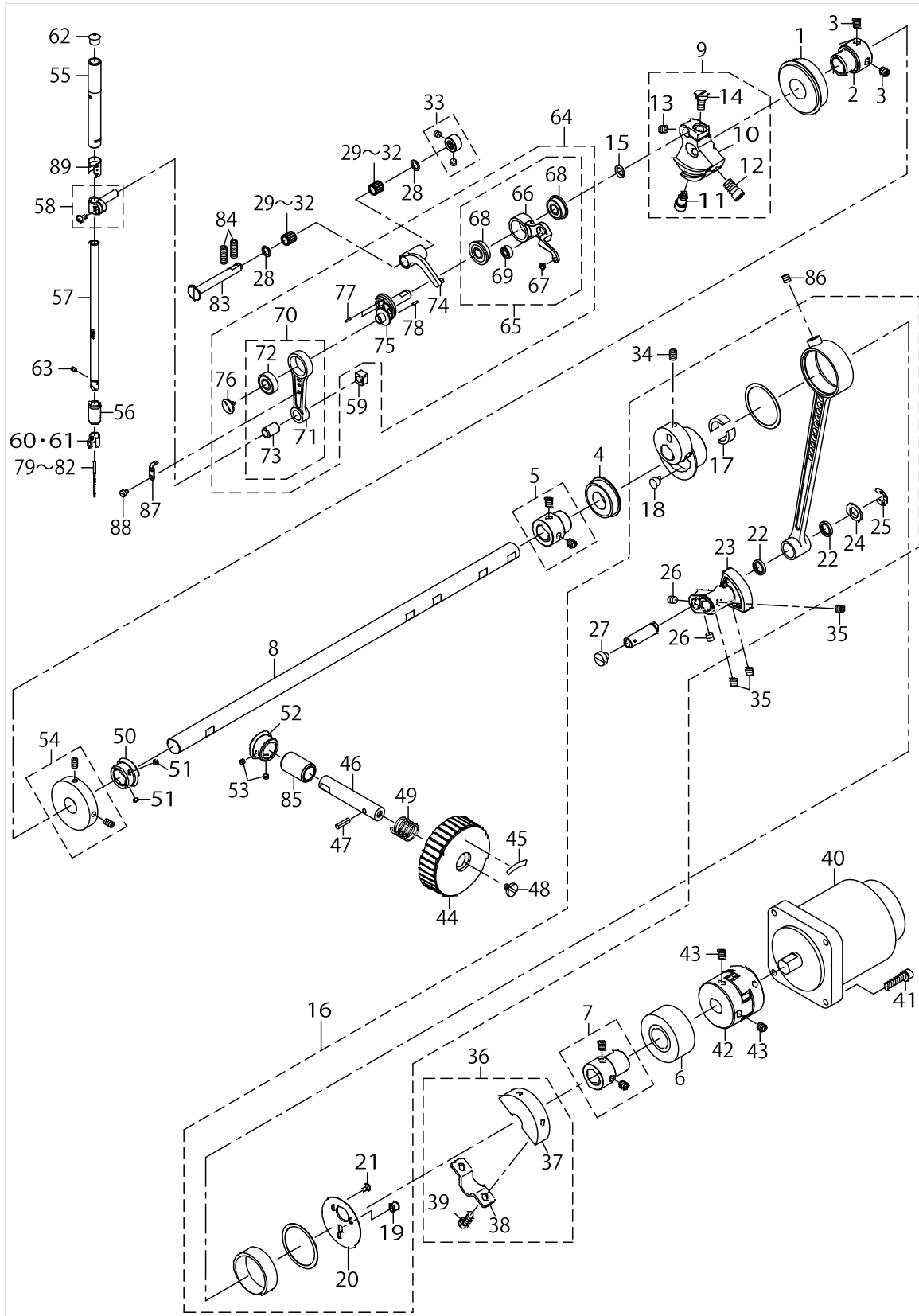
MAIN SHAFT & NEEDLE BAR COMPONENTS



MAIN SHAFT & NEEDLE BAR COMPONENTS

No.	Supply Code	Parts No.	Replacement	Parts name	Remarks	Choice	Step	Level	Cons	Qty	Rep. QTY
47		PS0400142KH		SPRING PIN 4X14						1	
48		A1230500000A		HANDWHEEL SETSCREW						1	
49		GAF01007000		SPRING						1	
50		40006515		GEAR_A						1	
51		SM8040310SS		SCREW M4 L=3						2	
52		40006516		GEAR_B						1	
53		SM8040310SS		SCREW M4 L=3						2	
54		40010533		BTW_DRIVING_WHEEL_ASM.						1	
55		40077604		NEEDLE_ROD_METAL						1	
56		40077605		NEEDLE_ROD_LOWER_METAL						1	
57		40026882		NEEDLE_BAR						1	
58		B14115520A0		NEEDLE BAR CONNECTING ASM.						1	
59		B1414555000		SLIDE BLOCK						1	
60		B1405210000		THREAD GUIDE A	TYPE S				☆	1	
61		40026884		NEEDLE_BAR_SHREAD_GUIDE_H	TYPE H				☆	1	
62		22901409		NEEDLE BAR UPPER BUSH CAP						1	
63		SM8030412TP		SCREW						1	
64		40078382		THREAD_TAKE_UP_COMPL						1	
65	R	40006530	40006529	THREAD_TAKE_UP_LEVER_ASM.				*		1	1.00
66	R	40006531	40006529	THREAD_TAKE_UP_LEVER				*		1	1.00
67		B1908505000		THREAD PASS BUSH				*		1	
68		SB108002200		BEARING				*		2	
69		SB104001600		BEARING				*		1	
70		40078106		NEEDLE_BAR_CRANK- K_ROD_ALL_ASM				*		1	
71		40078088		NEEDLE_BAR_CRANK_ROD				*		1	
72		SB108002300		BEARING				*		1	
73	R	22891006	22890958	NEEDLE BAR CRANK ROD BUSH		A	DDL-5700N	*		1	1.00
73	R	22891006	23622251	NEEDLE BAR CRANK ROD BUSH		B	DDL-9000,- DP-2100,DLN-9010	*		1	1.00
73	R	22891006	40078106	NEEDLE BAR CRANK ROD BUSH		C	AMS- /IP-- 420,AMS-220EN	*		1	1.00
73	R	22891006	40006534	NEEDLE BAR CRANK ROD BUSH		D	LK- ,AMS-- /IP-410,A- MS-210E,AB-1351	*		1	1.00
74		40006532		THREAD_TAKE_UP_CRANK				*		1	
75	R	40078083	40078382	NEEDLE_ROD_CRANK				*		1	1.00
76		B1903552000		LEFT SCREW				*		1	
77		40078135		PIN				*		2	
78		B1705850000		STOPPER PIN				*		1	
79		MDP500B1400		NEEDLE DPX5 #14	TYPE S(FOR ST)				☆	1	
80		MDP170B1800		NEEDLE DPX17 #18	TYPE H(FOR ST)				☆	1	
81		MC200501000		NEEDLE 134 NM100/DPX134 #16	TYPE S(FOR JE)				☆	1	
82		MC372001100		NEEDLE 135X17 #110	TYPE H(FOR JE)				☆	1	
83		40078079		THREAD_TAKE_UP_CRANK_SHAFT						1	
84		SM8061612TP		SCREW M6X16						2	
85		40000299		NEEDLE FEED SHAFT METAL						1	
86		SM8480652TP		SCREW						1	
87		40078107		KNIFE						1	

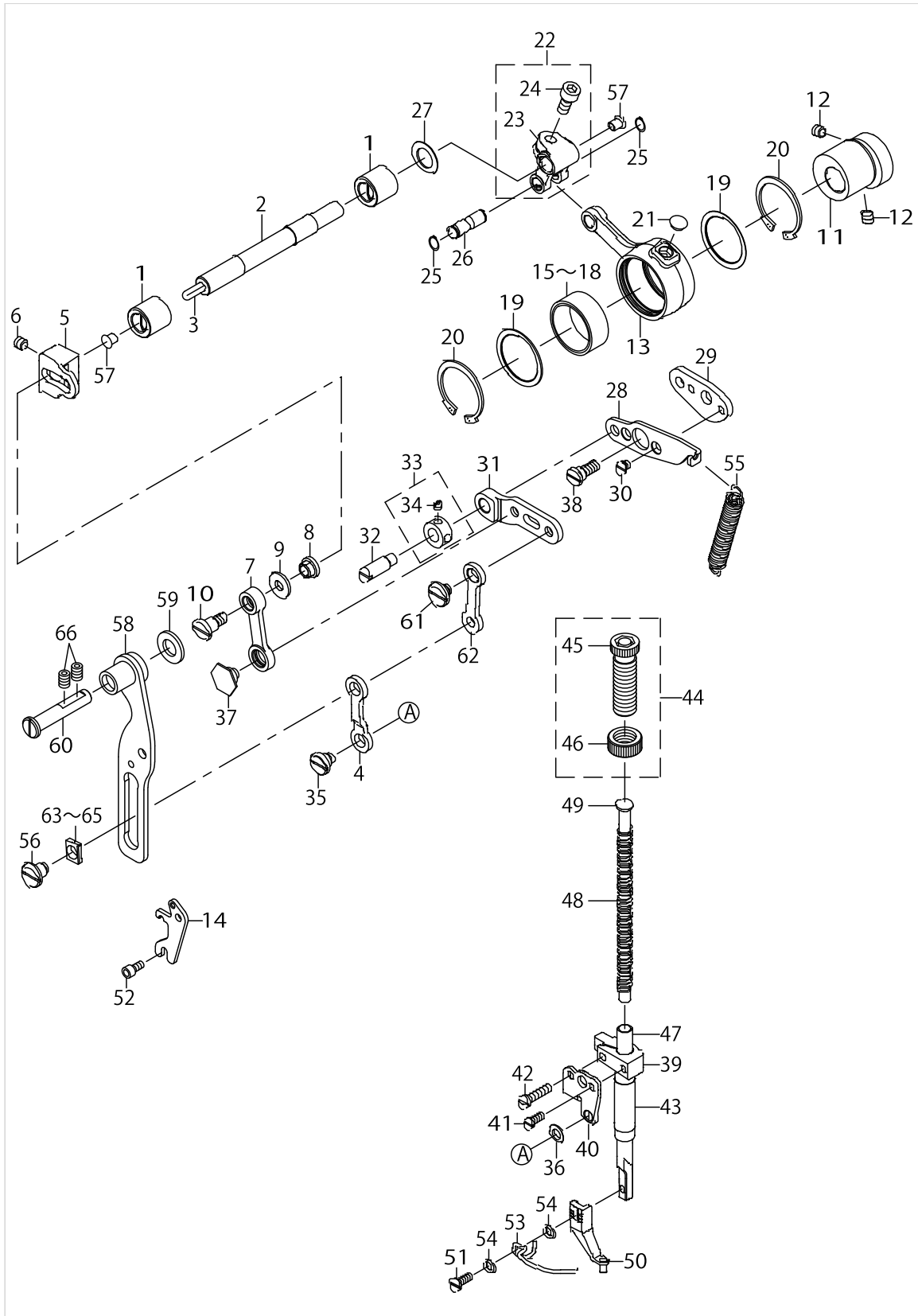
MAIN SHAFT & NEEDLE BAR COMPONENTS



MAIN SHAFT & NEEDLE BAR COMPONENTS

No.	Supply Code	Parts No.	Replacement	Parts name	Remarks	Choice	Step	Level	Cons	Qty	Rep. QTY
88		SM6030450TP		SCREW M3 L=4						2	
89		40078160		NEEDLE_ROD_META- L_GREASE_COVER						1	

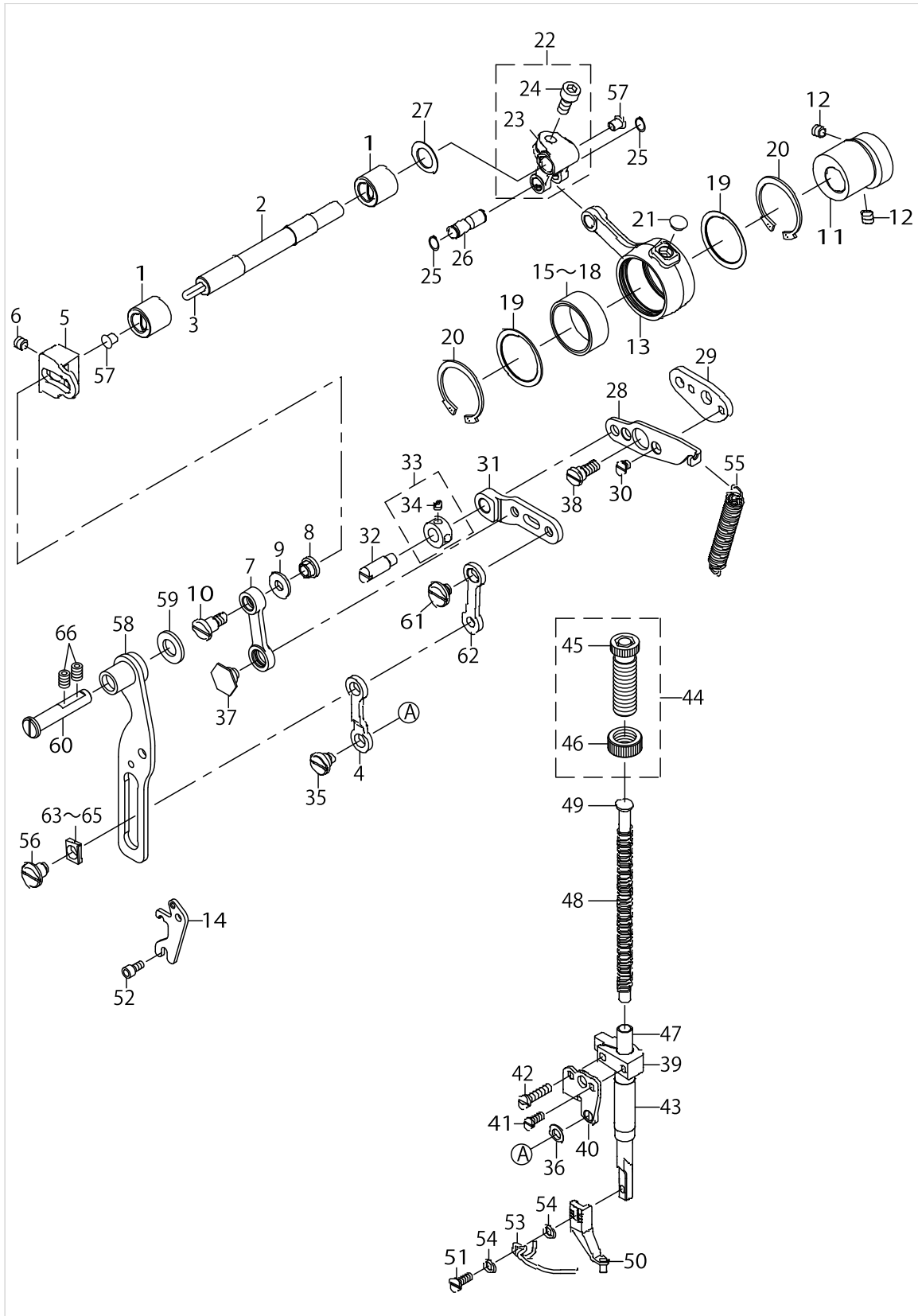
PRESSER MECHANISM & PRESSER VARIABLE COMPONENTS (1)



PRESSER MECHANISM & PRESSER VARIABLE COMPONENTS (1)

No.	Supply Code	Parts No.	Replacement	Parts name	Remarks	Choice	Step	Level	Cons	Qty	Rep. QTY
1		40025431		BUSHING						2	
2		40025427		INTERMEDIATE_PRESSER_SHAFT						1	
3		CQ303000000		OIL WICK						.1	
4		40030617		INTERMEDIATE_PRESSER_LINK_D						1	
5		40025012		ADJUSTING_ARM						1	
6		SM8060612TP		SCREW M6 L=6						1	
7		40068835		INTERMEDIATE_PRESSURE_LINK						1	
8		40025415		ADJUSTING_NUT						1	
9		WP0611626SP		WASHER 15X6X1.6						1	
10		SD0800746TP		SHOULDER SCREW						1	
11		40025428		ECCENTRIC_CAM						1	
12		SM8060812TP		SCREW M6 L=8						2	
13		40025011		CRANK_CONNECTING_ROD						1	
14		40068833		POSITIONING_LINK_SPRING_HOOK						1	
15		B1636581A00		NEEDLE BEARING A	SELECTIVE PARTS					1	
16		B1636581B00		NEEDLE BEARING B	SELECTIVE PARTS					1	
17		B1636581C00		NEEDLE BEARING	SELECTIVE PARTS					1	
18		B1636581D00		NEEDLE BEARING	SELECTIVE PARTS					1	
19		40012965		BEARING_SUPPORT_PLATE						2	
20		RC3781518KP		RETAINING RING						2	
21		TA0750404R0		PLUG D=7.5 L=3.5						1	
22		13122452		FEED BRANCH CRANK ASM.						1	
23		13122403		FEED BRANCH CRANK				*		1	
24		SM6061402TP		SCREW M6 L=14				*		1	
25		RC0650811KP		RETAINING RING						2	
26		40025429		ROD_CONNECTING_SHAFT						1	
27		WP1221016SP		WASHER						1	
28		40068834		POSITIONING_LINK						1	
29		40024988		POSITIONING_LINK_B						1	
30		SS1110640TP		SCREW 11/64-40 L=5.5						2	
31		40030620		INTERMEDIATE_PRESSER_LINK_B						1	
32		B1408180000		HINGE SCREW						1	
33		CS079073ASH		THRUST COLLAR ASM.						1	
34		SS8110410TP		SCREW 11/64-40 L=3.5				*		2	
35		SD0800386TP		SHOULDER SCREW D=8 H=3.75						1	
36		40029419		LINK_CONNECTING_PLATE_WASHER						1	
37		SD1000506TP		SHOULDER SCREW D=10 H=4.95						1	
38		SD0800408TP		SHOULDER SCREW						1	
39		23610108		PRESSER BAR GUIDE BRACKET						1	
40		40024991		LINK_CONNECTING_PLATE						1	
41		SS6090910SP		SCREW 9/64-40 L=9						1	
42		SS7111810TP		SCREW 11/64-40 L=18						1	
43		40078133		PRESSER_BUSHING						1	
44		22907554		PRESSER SPRING REG NUT ASM.						1	
45	R	22907505	22907554	PRESSER SPRING REGULATOR				*		1	1.00
46	R	11071701	22907554	NUT				*		1	1.00

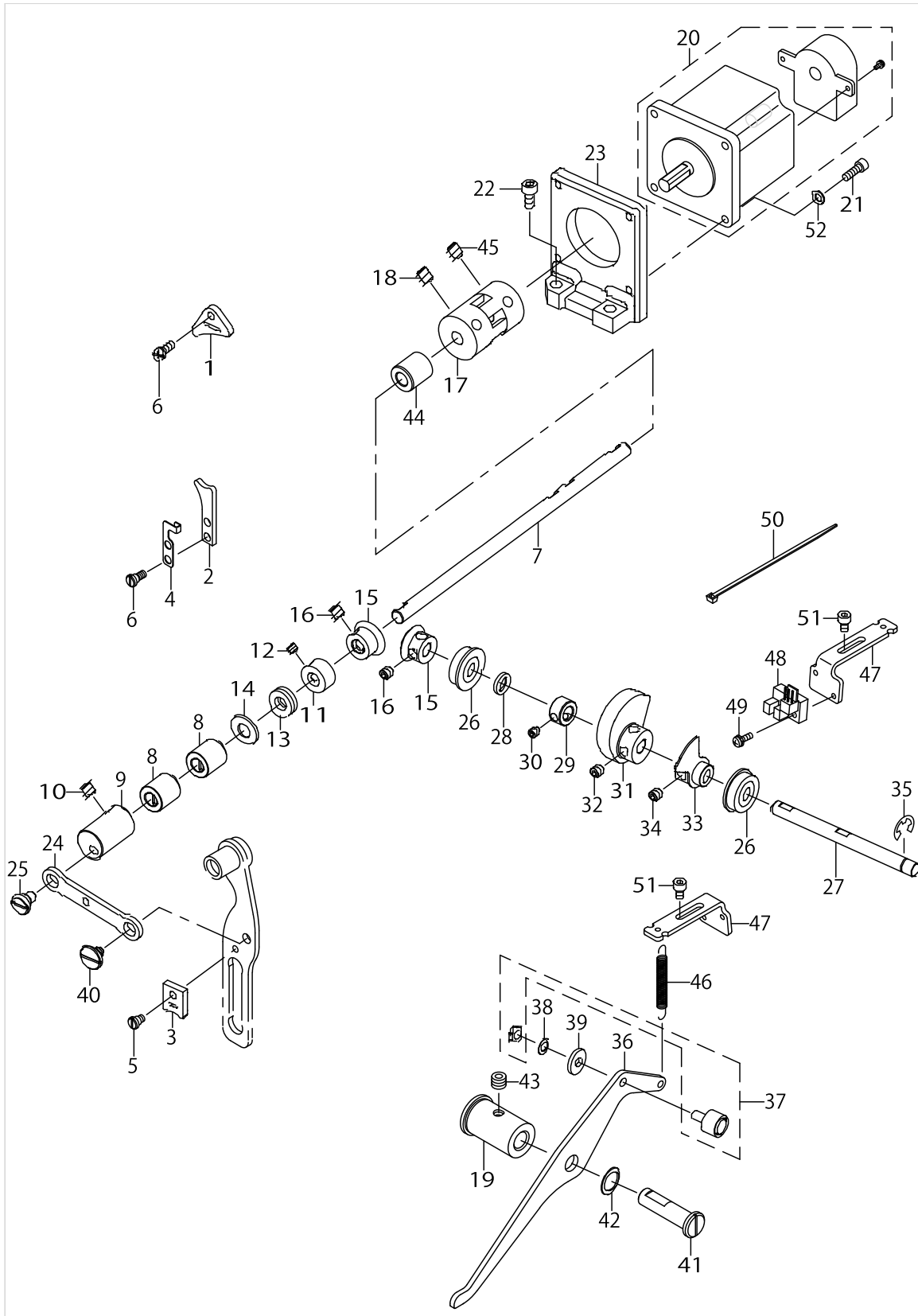
PRESSER MECHANISM & PRESSER VARIABLE COMPONENTS (1)



PRESSER MECHANISM & PRESSER VARIABLE COMPONENTS (1)

No.	Supply Code	Parts No.	Replacement	Parts name	Remarks	Choice	Step	Level	Cons	Qty	Rep. QTY
47		40030623		INTERMEDIATE_PRESSER_BAR						1	
48		B161121000A		INNER PRESSER SPRING						1	
49		40023631		PRESSER GUIDE BAR						1	
50		40023632		INTERMEDIATE PRESSER A					☆	1	
51		SM7751160TP		SCREW						1	
52		SM6040802TP		SCREW M4X0.7 L=8						2	
53		B1634210D00		FINGER GUARD						1	
54		WP0430800SC		WASHER M4						2	
55		40030621		INTERMEDIATE_PRESSER_SPRING_B						1	
56		SD0800656TP		SHOULDER SCREW						1	
57		TA0550604R0		RUBBER PLUG						2	
58		40077925		PRESSURE_VARIABLE_PLATE_ASM.						1	
59		40078113		COLLAR						1	
60		40023624		THREAD_TRIMMER_SHAFT						1	
61		SD0800336TP		SHOULDER SCREW						1	
62		40030616		INTERMEDIATE_PRESSER_LINK_C						1	
63		40030628		SLIDE_BLOCK_A	SELECTIVE PARTS					1	
64		40030629		SLIDE_BLOCK_B	SELECTIVE PARTS					1	
65		40030630		SLIDE_BLOCK_C	SELECTIVE PARTS					1	
66		SM8060812TP		SCREW M6 L=8						2	

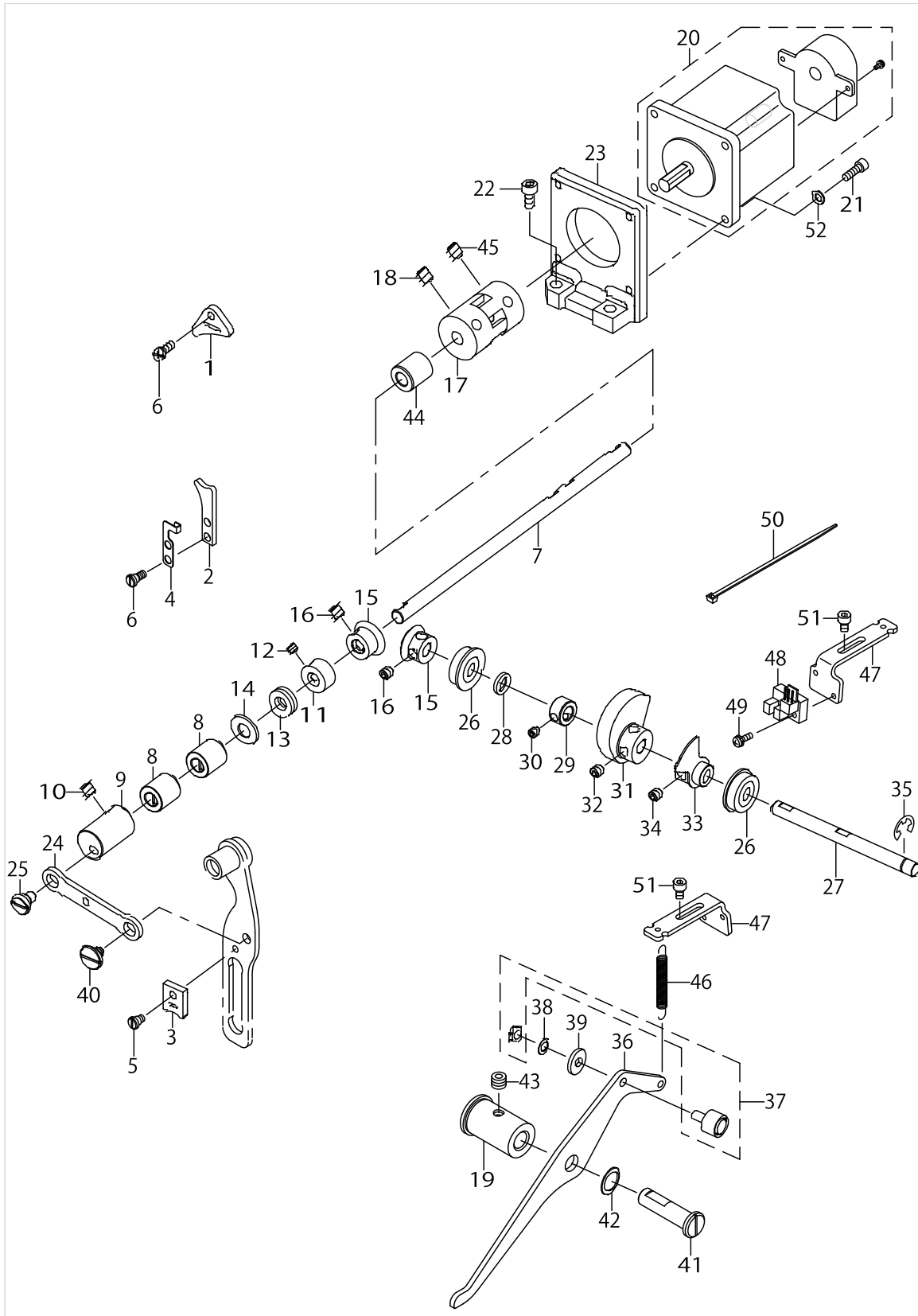
PRESSER MECHANISM & PRESSER VARIABLE COMPONENTS (2)



PRESSER MECHANISM & PRESSER VARIABLE COMPONENTS (2)

No.	Supply Code	Parts No.	Replacement	Parts name	Remarks	Choice	Step	Level	Cons	Qty	Rep. QTY
1		40030625		FACE_FELT_A						1	
2		40030626		FACE_FELT_B						1	
3		40030627		FACE_FELT_C						1	
4		40026817		FACE_FELT_B_SUPPORT						1	
5		40029420		FELT_SCREW_C						1	
6		40032483		FELT_SCREW_AB						3	
7		40077933		PRESSER_VARIABLE_SHAFT						1	
8		40025423		BUSHING B						2	
9		40026819		PRESSER_VARIABLE_ARM						1	
10		SM8480652TP		SCREW						2	
11		CS0800881TP		THRUST COLLAR						1	
12		SM8050412TP		SCREW M5 L=4						2	
13		SB408000100		BEARING						1	
14		WP0850002SP		WASHER 8.5X18X1.6						1	
15		40030615		PRESSER_LIFT_GEAR						2	
16		SM8060612TP		SCREW M6 L=6						4	
17		40030619		INTERMEDIATE_PRESSER_COUPLING						1	
18		SM8060802TP		SCREW M6 L=8						2	
19		40077938		LIFTING_LINK_SHAFT_METAL						1	
20		40102213		ENCODER MOTOR ASM						1	
21		SM6041202TP		SCREW M4X0.7 L=12						4	
22		SM6061802TP		SCREW M6 L=18						2	
23		40025010		PRESSER_MOTOR_BRACKET						1	
24		40024989		PRESSER_VARIABLE_LINK						1	
25		SD0800337TP		SHOULDER SCREW						1	
26		SB108000500		RADIAL BEARING						2	
27		40025426		PRESSER_LIFT_SHAFT						1	
28		WZ0850302K0		WAVED WASHER 8.5X12.5X0.3						1	
29		CS0800881TP		THRUST COLLAR						1	
30		SM8050412TP		SCREW M5 L=4						2	
31		40025016		LIFTING_CAM						1	
32		SM8060612TP		SCREW M6 L=6						2	
33		40025418		SENSOR_SLIT_ASM						1	
34		SM8060612TP		SCREW M6 L=6						2	
35		RE0700000K0		E-RING 7						1	
36		40077937		LIFTING_LINK						1	
37		40027870		CAM FOLLOWER						1	
38		WP0520656SA		WASHER 5.2X9.5X0.6						1	
39		WP0522016SH		WASHER						1	
40		SD0800387TP		SHOULDER SCREW D=8 H=3.75						1	
41		40006716		THREAD_TRIMMER_SHAFT						1	
42		26226001		WASHER						1	
43		SM8060812TP		SCREW M6 L=8						1	
44		40043321		BUSHING_C						1	
45		SM8060812TP		SCREW M6 L=8						2	
46		40003970		TENSION RELEASE RETURN						1	

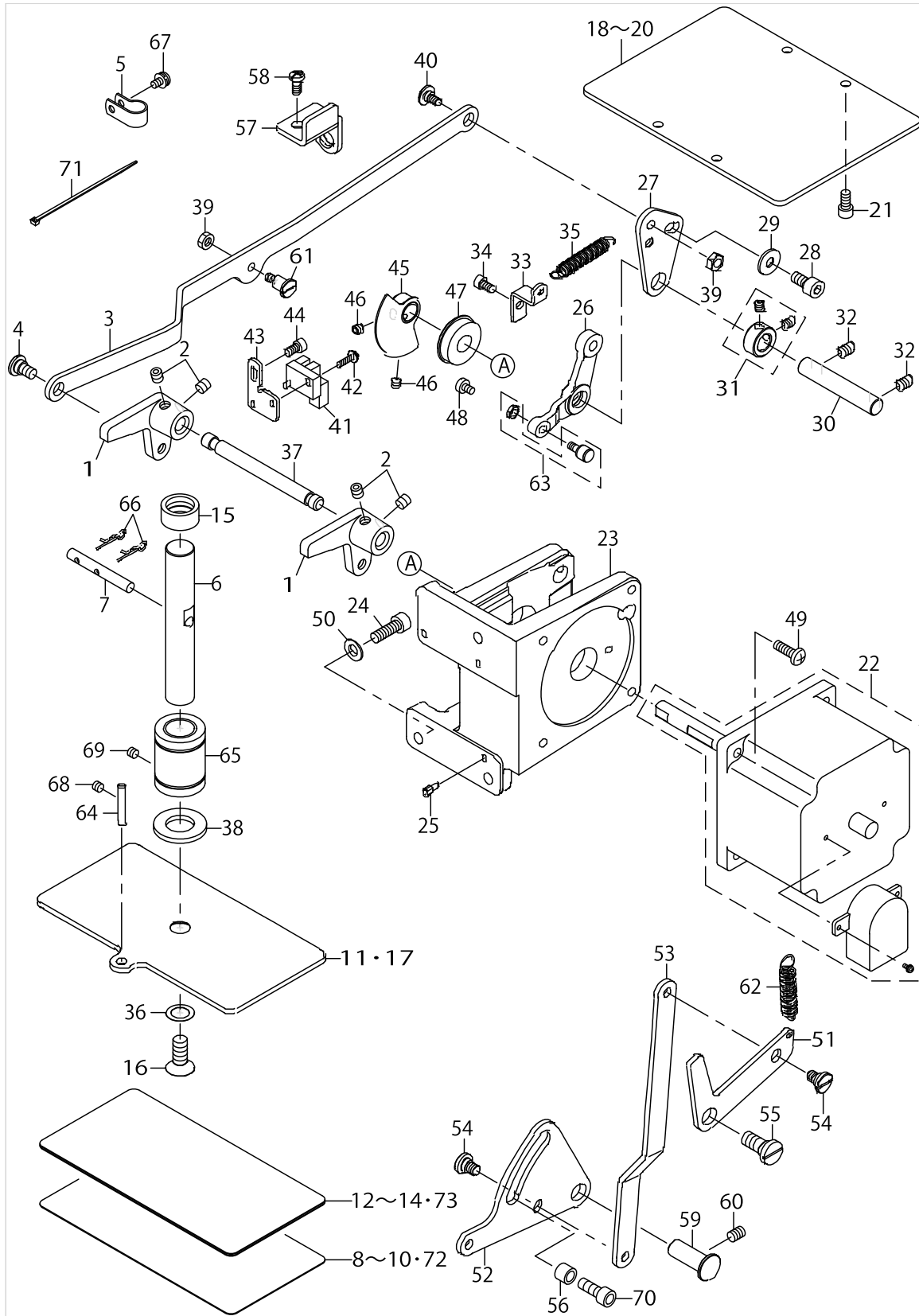
PRESSER MECHANISM & PRESSER VARIABLE COMPONENTS (2)



PRESSER MECHANISM & PRESSER VARIABLE COMPONENTS (2)

No.	Supply Code	Parts No.	Replacement	Parts name	Remarks	Choice	Step	Level	Cons	Qty	Rep. QTY
47		40077939		SENSOR,INSTALLING,BASE						1	
48		HD00057000A		PHOTO SENSOR						1	
49		SL4031081SF		SCREW M3 L=10						1	
50		EA9500B0100		CABLE BAND						1	
51		SM6040602TP		SCREW M4 L=6						4	
52		WP0450846SP		WASHER						4	

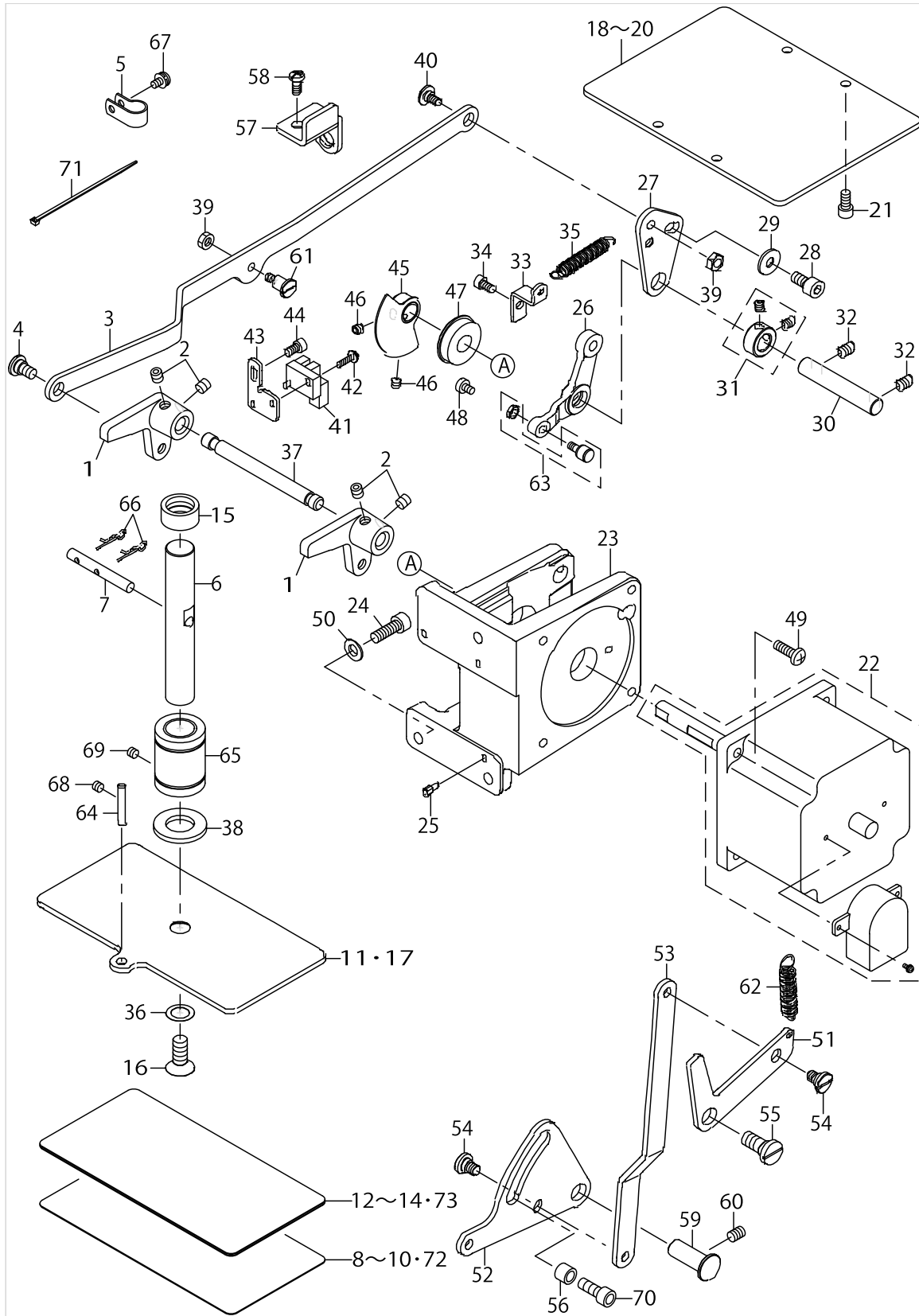
PRESSER PLATE & MANUAL PRESSER MECHANISM COMPONENTS



PRESSER PLATE & MANUAL PRESSER MECHANISM COMPONENTS

No.	Supply Code	Parts No.	Replacement	Parts name	Remarks	Choice	Step	Level	Cons	Qty	Rep. QTY
1		40077923		ARM_A	TYPE S						2
2		SM8060612TP		SCREW M6 L=6	TYPE S						4
3		40077924		CONNECTING_LINK	TYPE S						1
4		SD0800346TP		SHOULDER SCREW	TYPE S						1
5		HX00150000D		CABLE CLIP	TYPE L						1
6		40077928		PRESSER SHAFT	TYPE S						1
7		40077929		PIN	TYPE S						1
8		B1520210D00A		PRESSER PLATE SHEET	FOR 1306						1
9		40078577		PRESSURE_PLATE_SEET	1510 TYPE L						1
10		40039538		PRESSURE_PLATE_SHEET	FOR 2210						1
11		40077927		PRESSURE_PLATE	1510 TYPE S						1
12		B1531210D00		PRESSER PLATE FITTING SHEET	FOR 1306						1
13		40075878		PRESSURE_PLATE_FITTING_SEET	1510 TYPE L						1
14		40039539		PRESSURE PLATE FITTING SHEET	FOR 2210						1
15		40077930		PRESSURE_SHAFT_METAL	TYPE S						1
16		B1516210D00		SCREW	TYPE S						1
17		40077936		PRESSURE_PLATE	1306 TYPE S						1
18		40036470		PRESSURE_PLATE	1510 TYPE L						1
19		40077935		PRESSURE_PLATE	1306 TYPE L						1
20		40039537		PRESSURE_PLATE	2210 TYPE L						1
21		SM6051002TP		SCREW M5X0.8 L=10	TYPE L						4
22		40103968		ENCODER MOTOR ASM.(TC)							1
23		40072211		MOTOR_BASE							1
24		SM6061802TP		SCREW M6 L=18							3
25		B1816215P00		GUIDE PIN							2
26		40025009		PRESSER_LOWER_LINK_A	TYPE S						1
27		40024996		PRESSER_LOWER_A-DJUSTING_LINK	TYPE S						1
28		SM6061202TP		SCREW M6 L=12	TYPE S						1
29		WP0611626SP		WASHER 15X6X1.6	TYPE S						1
30		40077931		PRESSURE_LOWERING_SHAFT	TYPE S						1
31		40010464		THRUST_COLLAR_ASM.	TYPE S						1
32		SM8060812TP		SCREW M6 L=8	TYPE S						2
33		40025436		LOWER_SPRING_HOOK	TYPE S						1
34		SM6040802TP		SCREW M4X0.7 L=8	TYPE S						1
35		26226209		SPRING	TYPE S						1
36		40023627		PRESSER PLATE SHEET WASHER	TYPE S						3
37		40034922		PRESSERLINKSHAFT	TYPE S						1
38		22931505		RUBBER WASHER	TYPE S						1
39		NM6050001SP		NUT M5	TYPE S						2
40		SD0800327TP		SHOULDER SCREW	TYPE S						1
41		HD00057000A		PHOTO SENSOR							1
42		SL4031291SC		SCREW M3X12							1
43		40010443		SENSOR_INSTALLING_BASE							1
44		SM6040802TP		SCREW M4X0.7 L=8							1
45		40006666		SENSOR_SLIT_ASM.							1
46		SM8050592TP		SCREW							2

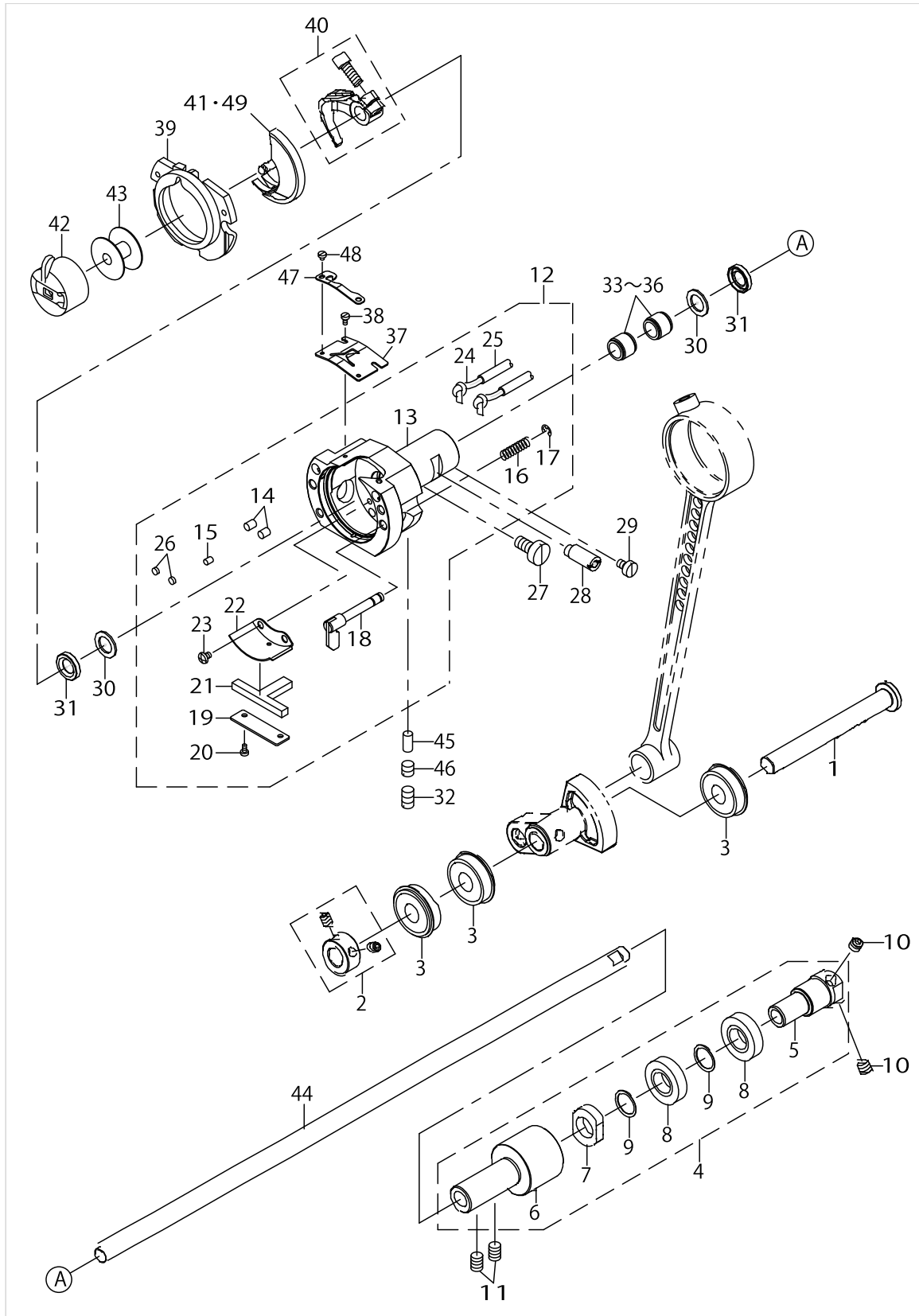
PRESSER PLATE & MANUAL PRESSER MECHANISM COMPONENTS



PRESSER PLATE & MANUAL PRESSER MECHANISM COMPONENTS

No.	Supply Code	Parts No.	Replacement	Parts name	Remarks	Choice	Step	Level	Cons	Qty	Rep. QTY
47		SB110002400		BEARING						1	
48		SM6040650TP		SCREW						1	
49		SM4051655SP		SCREW M5 L=16						4	
50		WP0651001SC		WASHER						3	
51		40024992		MANUAL_LOWER_PLATE	TYPE S					1	
52		40024993		MANUAL_LOWER_LEVER	TYPE S					1	
53		40024994		MANUAL_LOWER_LINK	TYPE S					1	
54		SD0800337TP		SHOULDER SCREW	TYPE S					2	
55		SD1000406TP		SHOULDER SCREW	TYPE S					1	
56		26228809		SLIDE ROLLER	TYPE S					1	
57		40024995		SPRING_HOOK	TYPE S					1	
58		SM4061255SP		SCREW M6 L=12	TYPE S					1	
59		13747001		BELL CRANK SHAFT	TYPE S					1	
60		SM8060812TP		SCREW M6 L=8	TYPE S					1	
61		SD0801506TP		SHOULDER SCREW D8 H15	TYPE S					1	
62		B1642210D00		INTERMEDIATE PRESSER SPRING B	TYPE S					1	
63		E3051802000		MINIATURE CAM FOLLOW	TYPE S					1	
64		B1527581000A		THREAD RELEASE PIN	TYPE S					1	
65		SB716000200		BEARING	TYPE S					1	
66		B1515210D00		PIN	TYPE S					2	
67		SL4040891SC		SCREW M4 L=8	TYPE L					1	
68		SM8050412TP		SCREW M5 L=4	TYPE S					1	
69		SM8050412TP		SCREW M5 L=4	TYPE S					1	
70		SM6061602TP		SCREW M6 L=16	TYPE S					1	
71		EA9500B0100		CABLE BAND	TYPE S					1	
72		40078577		PRESSURE_PLATE_SEET_1510S	1510 TYPE S					1	
73		40078578		PRESSURE_PLATE_-FITTING_SEET_15	1510 TYPE S					1	

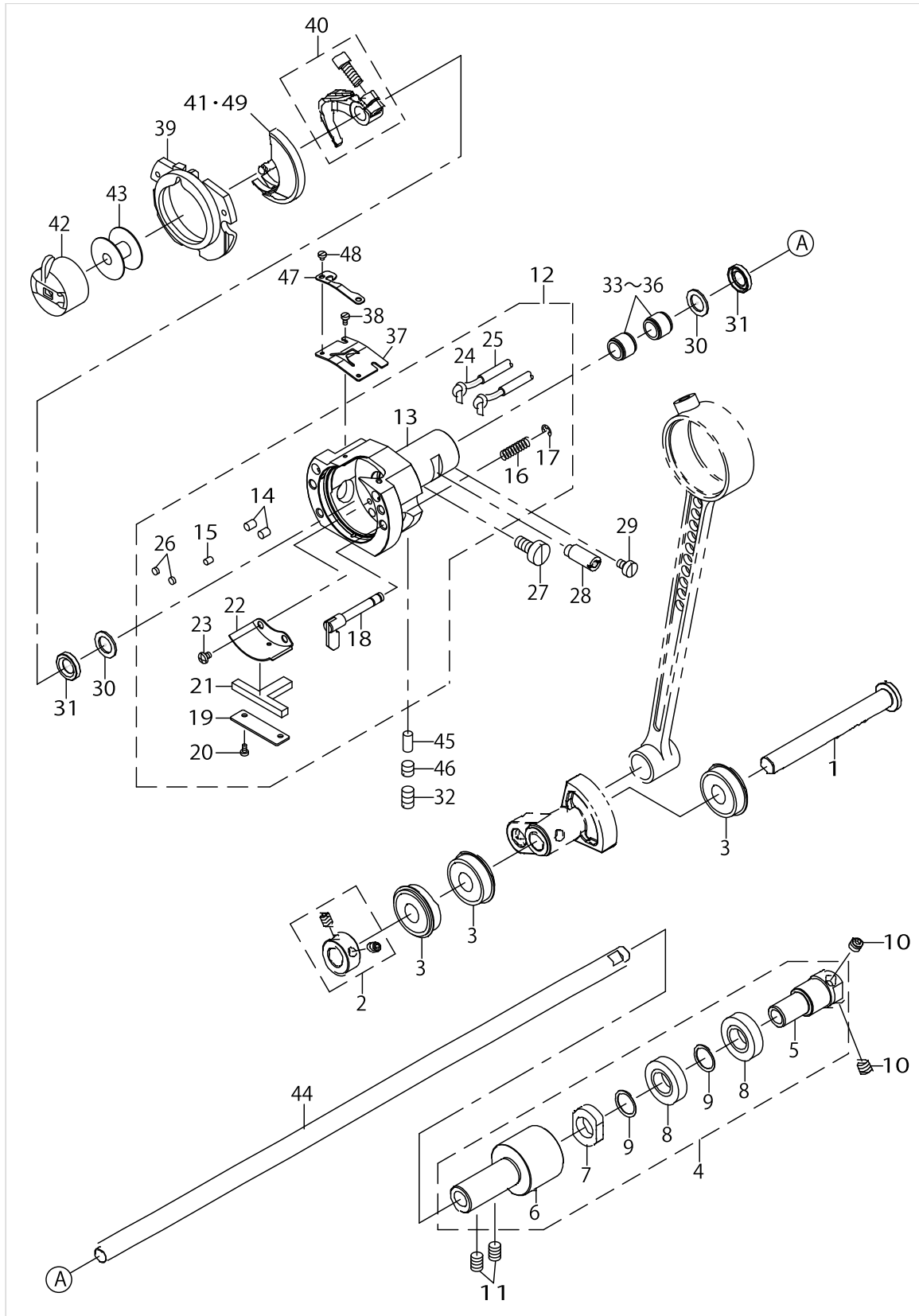
SHUTTLE DRIVER SHAFT COMPONENTS



SHUTTLE DRIVER SHAFT COMPONENTS

No.	Supply Code	Parts No.	Replacement	Parts name	Remarks	Choice	Step	Level	Cons	Qty	Rep. QTY
1		40024066		OSCILLATOR_SHAFT						1	
2		40010464		THRUST_COLLAR_ASM.						1	
3		SB110002400		BEARING						3	
4		40072009		LOWEW_SHAFT_GEAR_ASM						1	
5	R	40006567	40016077	LOWER_SHAFT_GEAR				*		1	1.00
6	R	40006569	40016077	LOWER_SHAFT_REAR_METAL				*		1	1.00
7		40024063		NUT				*		1	
8		SB112001700		BEARING				*		2	
9		40006317		LOWER SHAFT GEAR RING				*		2	
10		SM8060612TP		SCREW M6 L=6						2	
11		SM8060812TP		SCREW M6 L=8						2	
12		40089364		SHUTTLE_ASM.						1	
13		40089365		SHUTTLE				*		1	
14		B1820210D00		SHUTTLE OIL FELT A				*		2	
15		B1821210D00		SHUTTLE OIL FELT B				*		1	
16		B1822215P00		INNER HOOK PRESSER SPRING				*		2	
17		RE0300000K0		E-RING 3				*		2	
18		26501858		INNER-HOOK-PRESSER COMPL.				*		2	
19		14104004		ONCE THROUGH OIL FELT PRESSER				*		1	
20		SM6020460TP		SCREW				*		2	
21		14103907		SHUTTLE ONCE TH-ROUGH OIL FELT				*		1	
22		40006577		SHUTTLE_LUBRICATING_PLATE				*		1	
23		SM4030455SP		SCREW				*		2	
24		CQ200000000		OIL WICK				*		2.8	
25		23630007		TUBE				*		1.1	
26		13529607		SHUTTLE PACKING				*		2	
27		40010470		SHUTTLE_ASM_SCREW						1	
28		40010471		SHUTTLE_RACE_ADJUSTING_SHAFT						1	
29		SM6040650TP		SCREW						1	
30		40010472		SHUTTLE_BEARING_RING						2	
31		40006576		SHUTTLE_OIL_SEAL						2	
32		SM8061050TP		SCREW						1	
33		SB30800100A		BEARING	SELECTIVE PARTS					2	
34		SB30800100B		BEARING	SELECTIVE PARTS					2	
35		SB30800100C		BEARING	SELECTIVE PARTS					2	
36		SB30800100D		BEARING	SELECTIVE PARTS					2	
37		40036117		SHUTTLE UPPER SPRING					☆	1	
38		SM6020460TP		SCREW						2	
39		14103352		INNER HOOK PRESSER ASM. B						1	
40		40014963		SHUTTLE DRIVER ASM.					☆	1	
41		40061991		SHUTTLE(H)	TYPE H				☆	1	
42		B1828210DAA		BOBBIN CASE ASM.					☆	1	
43		B1806210D00		BOBBIN					☆	1	
44		40024062		LOWER_SHAFT						1	
45		40006578		OIL_WICK_PRESSER						1	

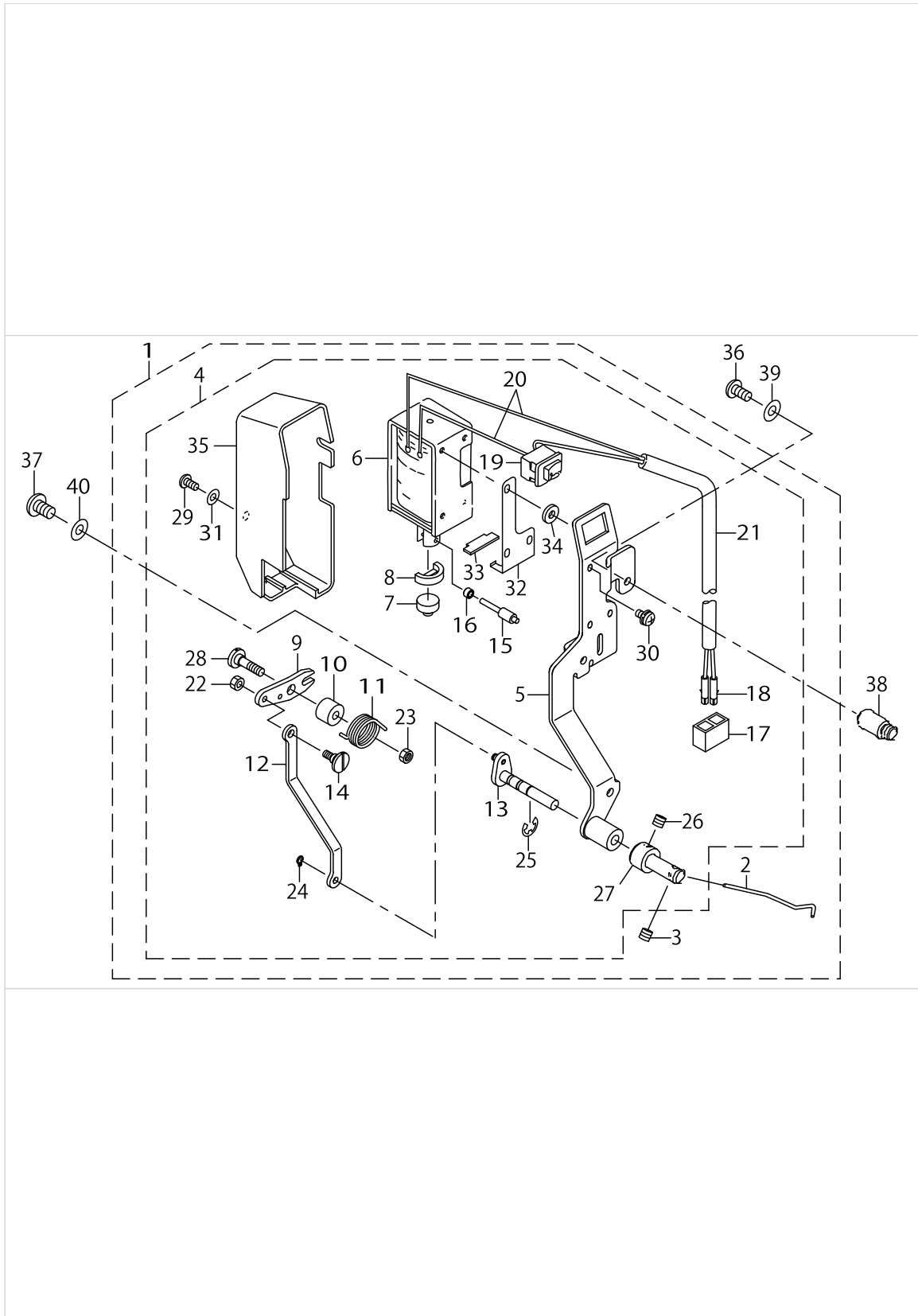
SHUTTLE DRIVER SHAFT COMPONENTS



SHUTTLE DRIVER SHAFT COMPONENTS

No.	Supply Code	Parts No.	Replacement	Parts name	Remarks	Choice	Step	Level	Cons	Qty	Rep. QTY
46		SM8060610TP		SCREW						1	
47		40036118		LOWER THREAD HOLDER						1	
48		SM6020250TP		SCREW						2	
49		40014964		SHUTTLE	TYPE S				☆	1	

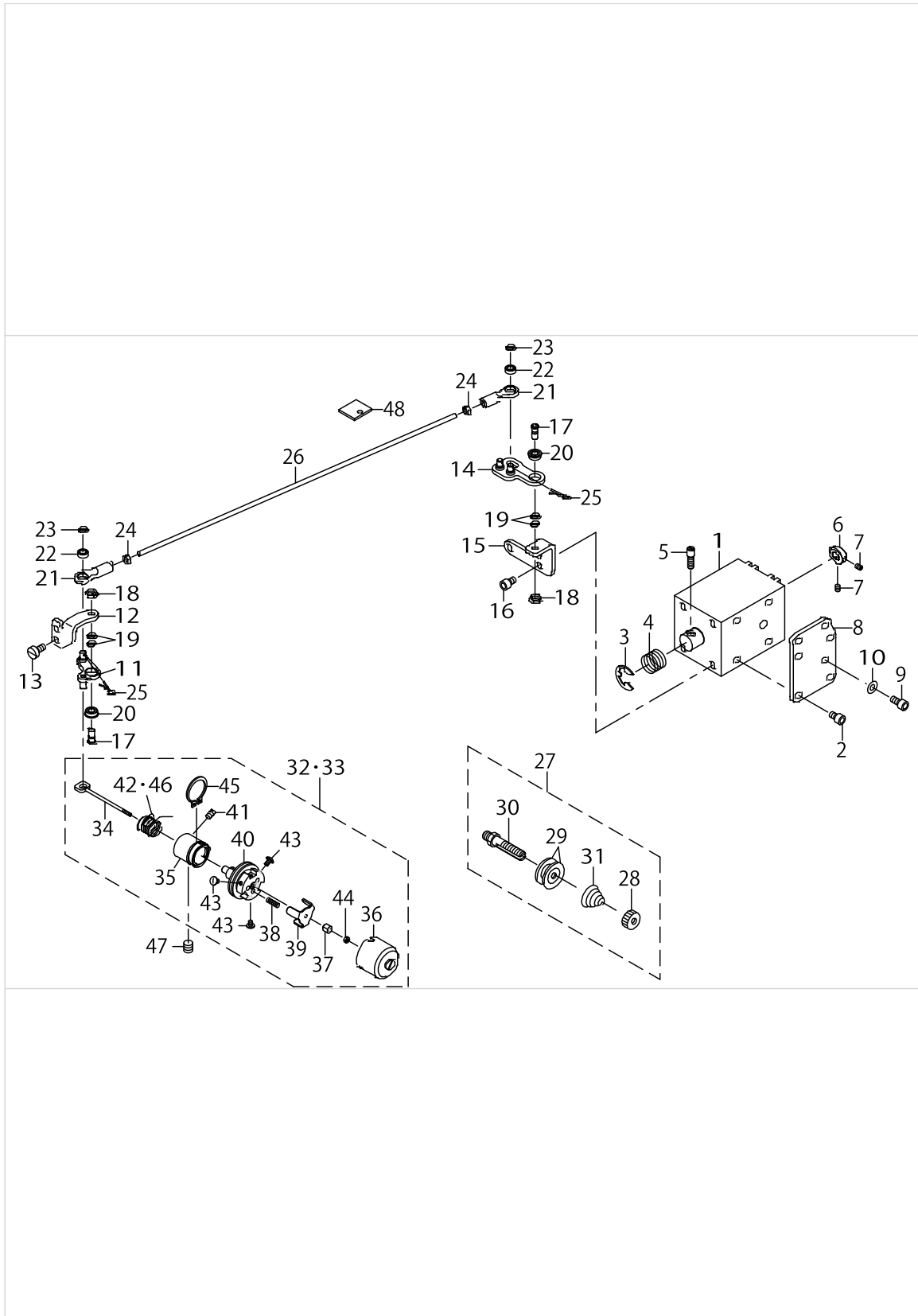
WIPER MECHANISM COMPONENTS



WIPER MECHANISM COMPONENTS

No.	Supply Code	Parts No.	Replacement	Parts name	Remarks	Choice	Step	Level	Cons	Qty	Rep. QTY
1		40086363		WIPER_ASM						1	
2		B2107210D00		WIPER				*		1	
3		SM8040412TP		SET SCREW M4 L=4				*		1	
4		40086364		WIPER_B_ASM				*		1	
5		40086355		WIPER_BASE_ASM				*		1	
6		40030956		WIPER_SOLENOID				*		1	
7		22955900		WIPER RUBBER A				*		1	
8		22956007		WIPER RUBBER B				*		1	
9		40086350		WIPER_LINK_A				*		1	
10		40086353		WIPER_HINGE_SCREW_COLLAR				*		1	
11		40086349		WIPER_SPRING				*		1	
12		40086357		WIPER_LINK_B				*		1	
13		40086358		WIPER_DRIVING_SHAFT_ASM				*		1	
14		22956908		WIPER LINK B HINGE SCREW				*		1	
15		40086352		WIPER_SOLENOID_SHAFT				*		1	
16		22957203		WIPER LINK COLLAR				*		1	
17		HK034610020		2-POLE NYLON PLUG				*		1	
18		HK03464000B		PIN CONTACT				*		2	
19		HA006000000		SWITCH				*		1	
20		HW200390000		ELECTRIC WIRE				*		0.04	
21		HW500070000		2-CORE CABTYRE CORD				*		1.8	
22		NS6090310SP		NUT 9/64-40				*		1	
23		NM6050001SC		NUT M5				*		1	
24		RC0370411KP		RETAINING RING				*		1	
25		RE0500000K0		E-RING				*		1	
26		SM8040412TP		SET SCREW M4 L=4				*		1	
27		40086354		WIPER_SHAFT_CAP				*		1	
28		40086351		SHOULDER_SCREW				*		1	
29		SM4030601SN		SCREW M3X6				*		1	
30		SL4031091SC		SCREW M3X10				*		3	
31		WP0320501SC		WASHER M3				*		1	
32		40037500		RUBBER HOLDER				*		1	
33		40037501		STOPPER RUBBER				*		1	
34		WP0482086SD		WASHER 4.8X11.5X2				*		3	
35		22955504		WIPER COVER				*		1	
36		SM4040855SP		SCREW						1	
37		SM4050855SP		SCREW						1	
38		40025440		WIPER_STUD_TOP						1	
39		WP0450801SD		WASHER 4.5X10X0.8						1	
40		WP0531001SC		WASHER						1	

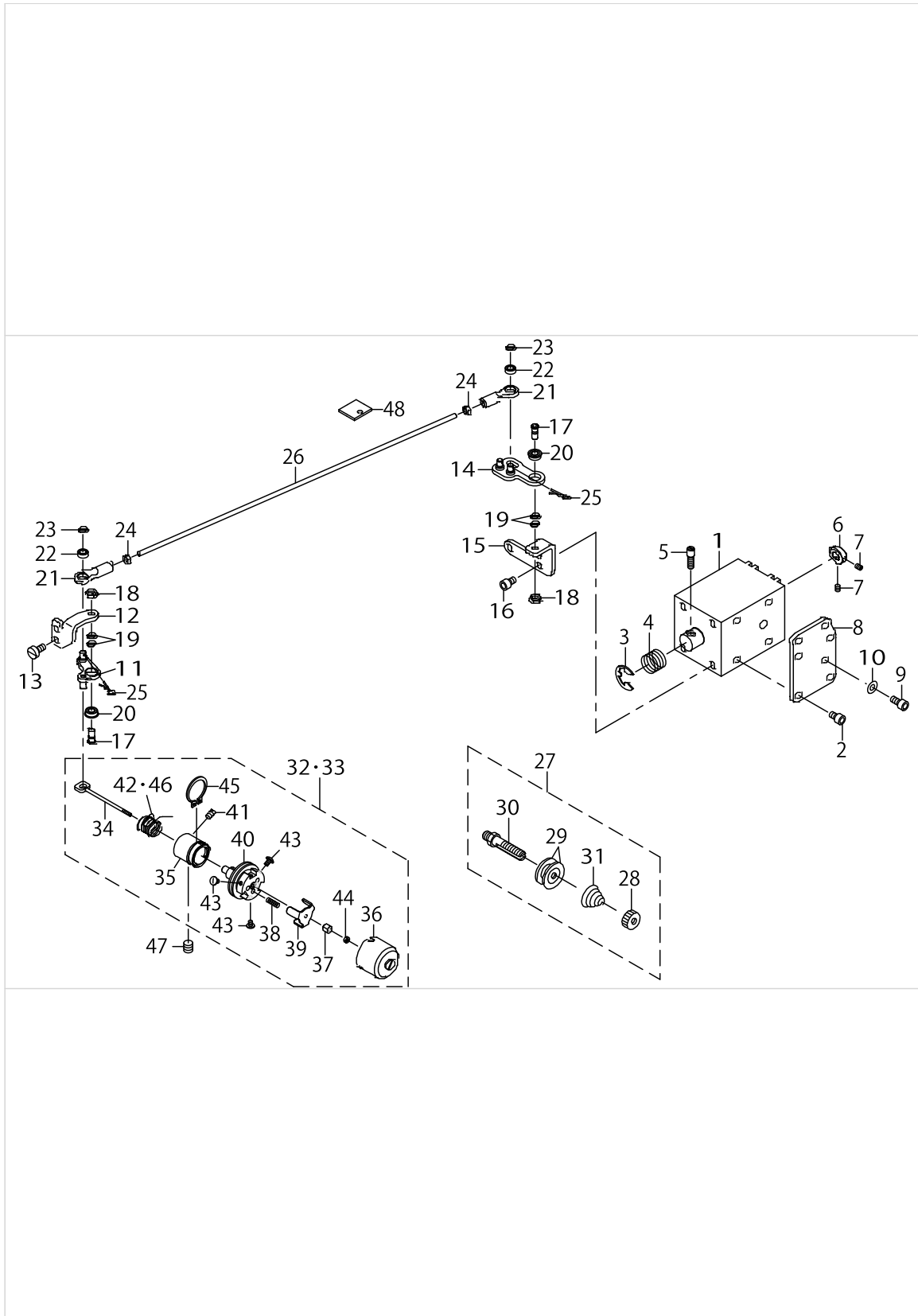
TENSION RELEASE & THREAD TENSION COMPONENTS



TENSION RELEASE & THREAD TENSION COMPONENTS

No.	Supply Code	Parts No.	Replacement	Parts name	Remarks	Choice	Step	Level	Cons	Qty	Rep. QTY
1		40073660		AT SOLENOID						1	
2		SM6040602TP		SCREW M4 L=6						4	
3		RE0900000K0		E-RING 9						1	
4		40006625		SPRING						1	
5		40006617		AT_SOL_PIN						1	
6		40010477		AT_SOL_COLLAR						1	
7		SM8030412TP		SCREW						2	
8		40010479		AT_PLATE						1	
9		SM6040802TN		SCREW						2	
10		WP0430801SC		WASHER 4.3X9X0.8						2	
11		40024070		AT_DRIVE_LINK(F)_ASM.						1	
12		40023993		AT_PIVOT_BASE(F)						1	
13		SM6040860TP		SCREW M4 L=8						2	
14		40032345		AT_DRIVE_LINK_R_ASM						1	
15	R	40077932	40089798	AT_PIVOT_BASE (R)						1	1.00
16		SM6040602TP		SCREW M4 L=6						2	
17		40010487		AT_PIVOT_SCREW						2	
18		NM6040003SC		NUT M4						2	
19		40010489		AT_PIVOT_SCREW_WASHER						4	
20		40010490		AT_PIVOT_BEARING						2	
21		40010497		AT_JOINT						2	
22		40010498		AT_JOINT_BEARING						2	
23		40010489		AT_PIVOT_SCREW_WASHER						2	
24	R	40010499	NM6030001SC	AT_JOINT_NUT						2	1.00
25		40006622		AT_SNAP_PIN						2	
26		40023997		AT_CONNECTION_BAR						1	
27		40010503		THREAD_TENSION_1_ASM.						1	
28		22928808		NUT				*		1	
29		22921506		THREAD TENSION DISK				*		2	
30	R	40010504	40010503	THREAD_TENSION_SHAFT				*		1	1.00
31		26218602		FIRST THREAD TENSION SPRING				*		1	
32		40029411		THREAD_TENSION_2_ASM_H	TYPE H					1	
33		40010508		THREAD_TENSION_2_ASM.	TYPE S					1	
34		40010509		TENSION RELEASE PIN				*		1	
35		40010510		THREAD_TENSION_POST_BASE				*		1	
36		40010511		DISK_STOPPER HOLDER_CAP				*		1	
37		40010512		THREAD_TENSION_SHAFT_COLLAR				*		1	
38		40010513		DISK_STOPPER_SPRING				*		3	
39		40010514		DISK_STOPPER				*		1	
40		40010515		ASSY_THREAD_TENSION_POST				*		1	
41	R	40011359	40010508	POST_BASE_SCREW				*		1	1.00
42		40029412		THREAD_TAKE-UP_SPRING_H	TYPE H			*	☆	1	
43		40010521		HOLD_CAP_SCREW				*		3	
44		40010522		SHAFT_NUT				*		1	
45	R	40010523	40010508	POST_BASE_C_RING				*		1	1.00
46		22921605		THREAD TAKE-UP SPRING	TYPE S			*	☆	1	

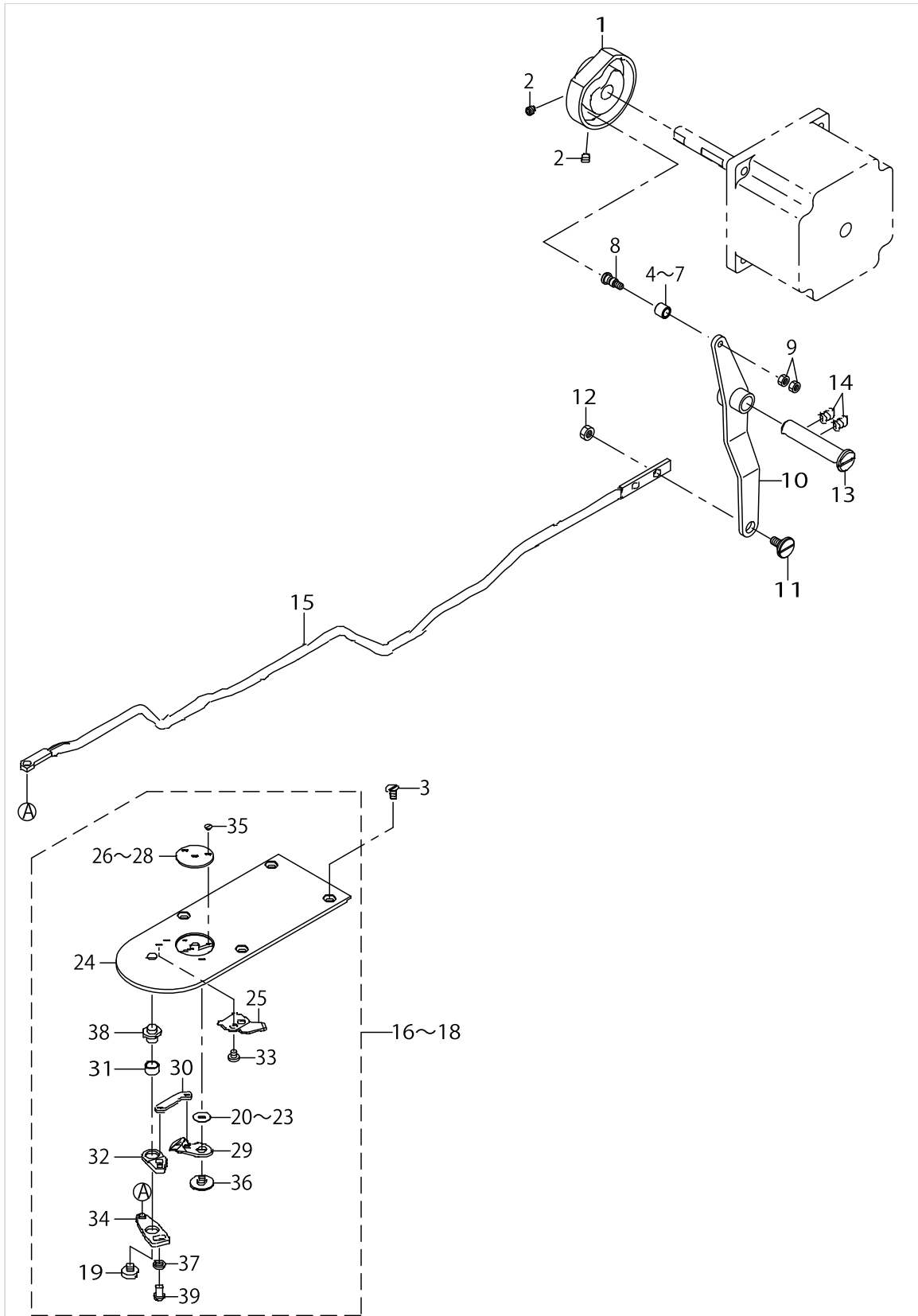
TENSION RELEASE & THREAD TENSION COMPONENTS



TENSION RELEASE & THREAD TENSION COMPONENTS

No.	Supply Code	Parts No.	Replacement	Parts name	Remarks	Choice	Step	Level	Cons	Qty	Rep. QTY
47		SM8061612TP		SCREW M6X16						1	
48		40013967		AT FELT						1	

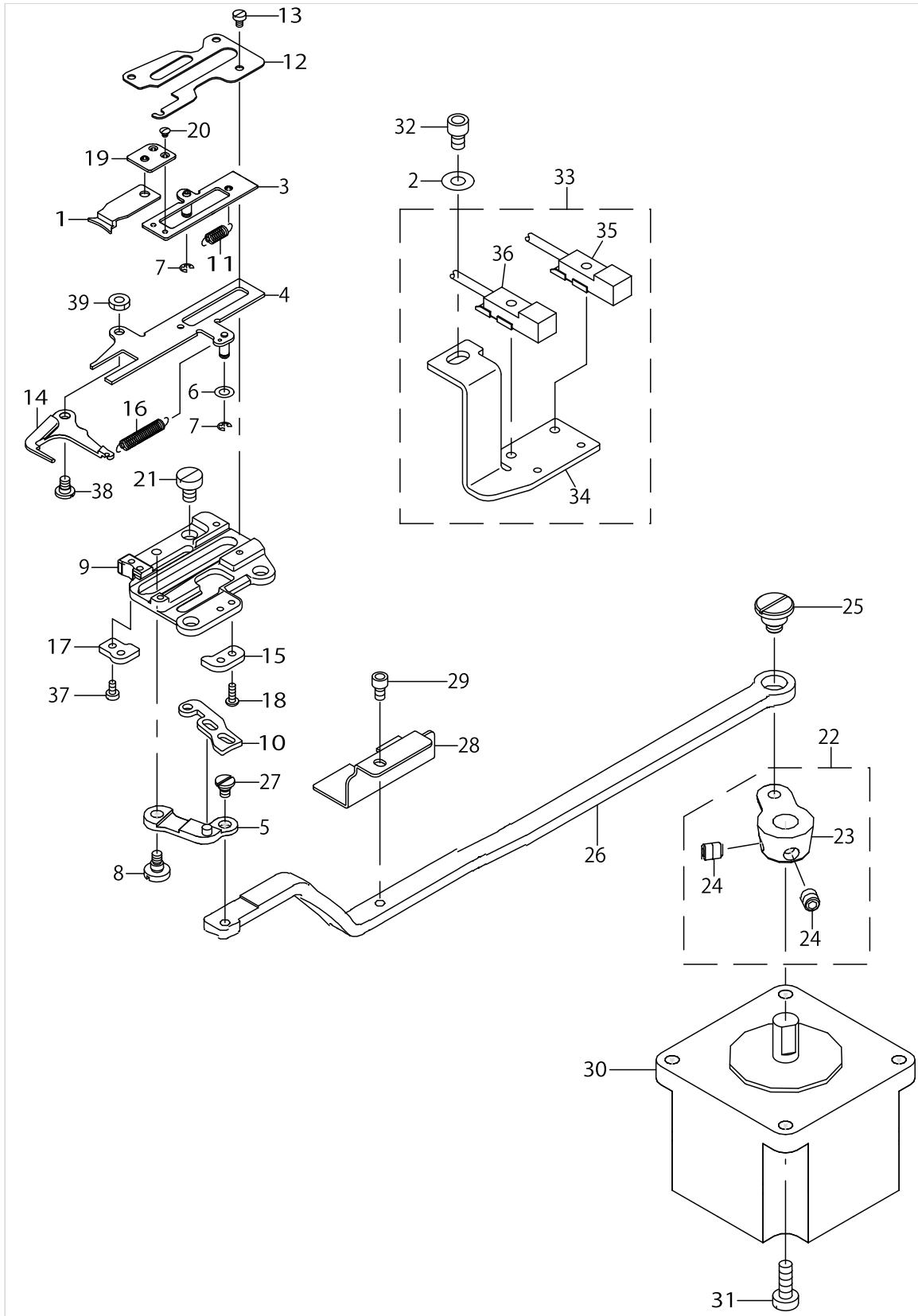
THREAD TRIMMER MECHANISM COMPONENTS



THREAD TRIMMER MECHANISM COMPONENTS

No.	Supply Code	Parts No.	Replacement	Parts name	Remarks	Choice	Step	Level	Cons	Qty	Rep. QTY
1		40030936		THREAD_TRIMMER_CAM						1	
2		SM8050592TP		SCREW						2	
3		SM1040650TP		SCREW						4	
4		23517501		NEEDLE CAM ROLLER A	SELECTIVE PARTS					1	
5		23517600		NEEDLE CAM ROLLER B	SELECTIVE PARTS					1	
6		23517709		NEEDLE CAM ROLLER C	SELECTIVE PARTS					1	
7		23517808		NEEDLE CAM ROLLER D	SELECTIVE PARTS					1	
8		40040256		ROLLER_SHAFT						1	
9		NM6040001SP		NUT M4X0.7						2	
10		40072228		THREAD_TRIMMER_LINK_ASM						1	
11		SD0800327TP		SHOULDER SCREW						1	
12		NM6050001SP		NUT M5						1	
13		40023624		THREAD_TRIMMER_SHAFT						1	
14		SM8060812TP		SCREW M6 L=8						2	
15		40030935		CONNECTING_BAR						1	
16		40030932		NEEDLE_PLATE_ASM.	TYPE S					1	
17		40030933		NEEDLE_PLATE_H_ASM.	TYPE H					1	
18		40073085		NEEDLE_PLATE_H_2.4_ASM.	TYPE H (D-ESTINATION G)					1	
19		SS6110430TP		SCREW 11/64-40 L=4.0				*		1	
20		B242328000D		MOVING KNIFE WASHER D	SELECTIVE PARTS			*		1	
21		B242328000C		MOVING KNIFE WASHER C	SELECTIVE PARTS			*		1	
22		B242328000A		MOVING KNIFE WASHER A	SELECTIVE PARTS			*		1	
23		B242328000B		MOVING KNIFE WASHER B	SELECTIVE PARTS			*		1	
24		40030934		NEEDLE_PLATE				*		1	
25		B2424210000		COUNTER KNIFE				*		1	
26		B242621000A		NEEDLE HOLE GUIDE D=1.6	TYPE S			*	☆	1	
27		B242621000B		NEEDLE HOLE GUIDE D=2.0	TYPE H			*	☆	1	
28		B242621000D		NEEDLE HOLE GUIDE D=2.4	TYPE H (D-ESTINATION G)			*	☆	1	
29		B2421210AA0		MOVING KNIFE COMPL.				*	☆	1	
30		B2418280000		MOVING KNIFE LINK				*		1	
31		B2416280000		THREAD CUTTING LEVER RING				*		1	
32		B24152800A0		THREAD CUTTER L-EVER ASM. SMALL				*		1	
33		SS7090410SP		SCREW 9/64-40 L=3.5				*		1	
34		B24142800A0		THREAD CUTTER L-EVER ASM. LARGE				*		1	
35		SS1060210TP		SCREW 3/32-56 L=2.2				*		2	
36		B2417210000		MOVING KNIFE HINGE SCREW				*		1	
37		WP0450846SP		WASHER				*		1	
38		B2417280000		THREAD CUTTER LEVER SHAFT				*		1	
39		SS7110740TP		SCREW 11/64-40 L=7				*		1	

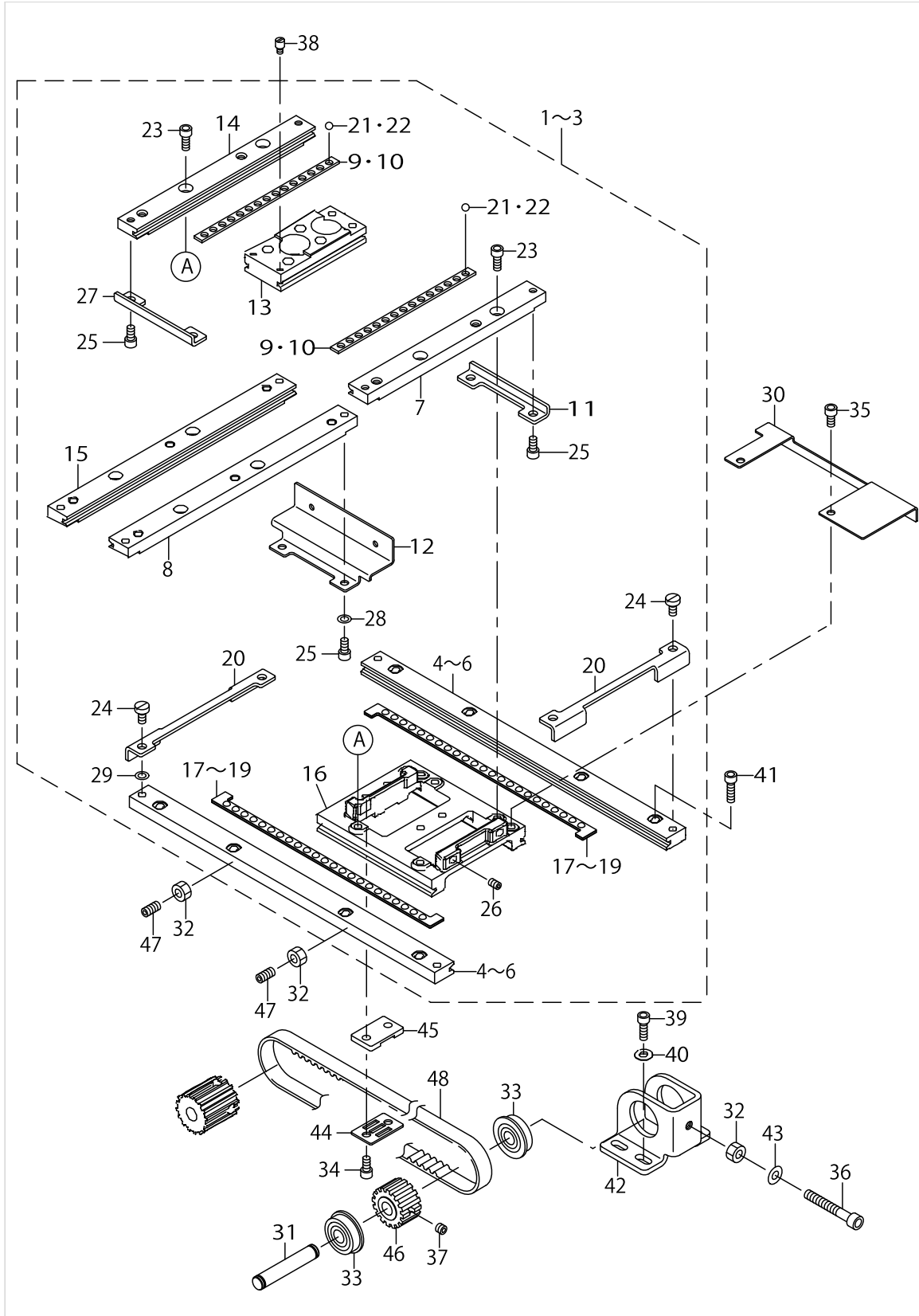
THREAD CLAMP COMPONENTS



THREAD CLAMP COMPONENTS

No.	Supply Code	Parts No.	Replacement	Parts name	Remarks	Choice	Step	Level	Cons	Qty	Rep. QTY
1		40006761		TC_CLAMP						1	
2		WP0450801SP		WASHER						1	
3		40076233		TC_CLAMP_PLATE_ASM						1	
4		40076235		TC_SIPPORT_PLATE_ASM						1	
5		40015800		TC_LINK_ASM.						1	
6		WP0320500SC		WASHER M3						2	
7		RE0200000K0		E-RING						2	
8		SD0400266TP		SHOULDER SCREW						1	
9		40076237		TC_BASE						1	
10	R	40006772	40010590	TC_CAM_PLATE						1	1.00
11		40006780		TC_SPRING						1	
12		40076236		TC_BASE_COVER						1	
13		SM6020350SP		SCREW M2 L=2.5						4	
14	R	40076239	40155049	TC_OPEN_PLATE						1	1.00
15		40030943		TC_NOTCH_R_H						1	
16		40076232		TC_OPEN_SPRING						1	
17		40030942		TC_NOTCH_F_H						1	
18		SM4020600SP		SCREW M2 L=6						2	
19	R	40006768	40012815	TC_JOINT_ASM.						1	1.00
20		SM2360110TP		SCREW						2	
21		SM6040650TP		SCREW						3	
22		40010527		TC_DRIVING_ARM_ASM.						1	
23	R	40010528	40010527	TC_DRIVING_ARM				*		1	1.00
24	R	40011152	40010527	TC_ARM_SCREW				*		2	1.00
25		SD0800407TP		SHOULDER SCREW						1	
26		40030940		TC_CONNECTING_LINK						1	
27		SD0350156TP		SHOULDER SCREW						1	
28		40033191		SENSOR_SLIT						1	
29		SM6030502TP		BOLT M3X5						1	
30		40085033		STEPPING MOTOR						1	
31		SM6041202TP		SCREW M4X0.7 L=12						4	
32		SM6040602TP		SCREW M4 L=6						1	
33		40032508		TH_SENSOR_ASM.						1	
34		40033190		SENSOR_INSTALLING_BASE				*		1	
35	R	HD00204000A	HD00203000A	SENSOR				*		1	1.00
36	R	HD00204000B	HD00203000B	SENSOR				*		1	1.00
37		SM6020450TP		SCREW						2	
38		SD0350156TP		SHOULDER SCREW						1	
39		NM6030003SC		NUT M3						1	

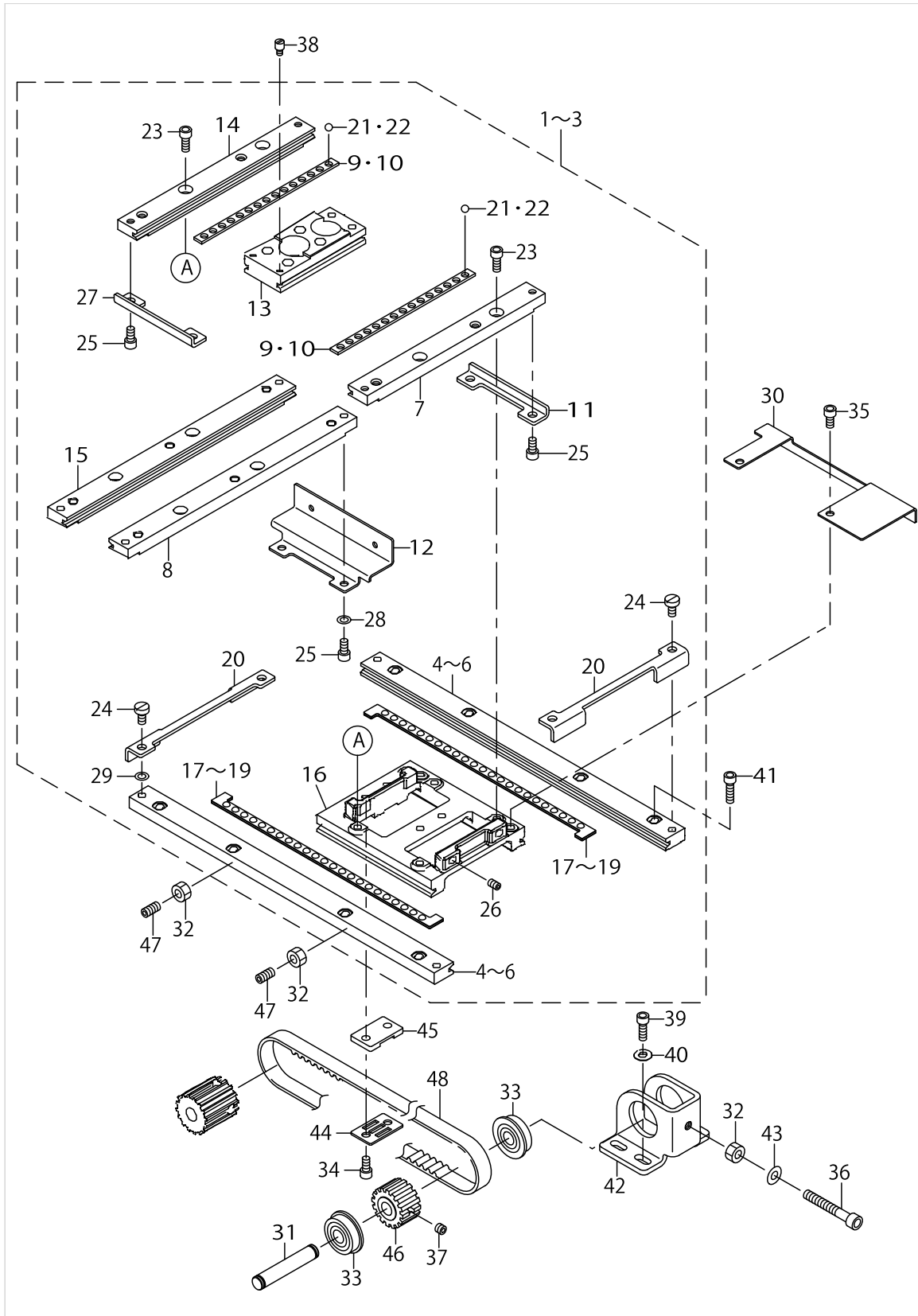
X-Y COMPONENTS (1)



X-Y COMPONENTS (1)

No.	Supply Code	Parts No.	Replacement	Parts name	Remarks	Choice	Step	Level	Cons	Qty	Rep. QTY
1		40078001		X-Y_TABLE_ASM_1306	FOR 1306					1	
2		40077999		X-Y_TABLE_ASM_1510	FOR 1510					1	
3		40078000		X-Y_TABLE_ASM_2210	FOR 2210					1	
4		40030945		X_FIXED_RACE	FOR 1306			*		2	
5		40033145		X_FIXED_RACE	FOR 1510			*		2	
6		40038562		X FIXED RACE	FOR 2210			*		2	
7		B2520210D0A		Y FIXED RACE RIGHT	FOR 1306			*		1	
8		40033146		Y_FIXED_RACE_RIGHT	FOR 1510,2210			*		1	
9		B2521210D00		Y BALL GAUGE	FOR 1306			*		2	
10		40033148		Y_BALL_GAUGE	FOR 1510,2210			*		2	
11		B2522210D00		Y STOPPER	FOR 1306			*		1	
12		40033149		Y_STOPPER	FOR 1510,2210			*		1	
13		40030946		Y_REMOVAL_RACE				*		1	
14		B2520210D0B		Y FIXED RACE LEFT	FOR 1306			*		1	
15		40033147		Y_FIXED_RACE_LEFT	FOR 1510,2210			*		1	
16		40077998		RACE TABLE				*		1	
17		B2508210DA0		X BALL GAUGE ASM.	FOR 1306			*		2	
18		40033150		X_BALL_GAUGE_ASM	FOR 1510			*		2	
19		B2508210DAB		X BALL GAUGE ASM.(EXTENSION)	FOR 2210			*		2	
20		40033153		X_STOPPER				*		2	
21		B2527210000		BALL	FOR 1306			*		30	
22		B2527210000		BALL	FOR 1510,2210			*		36	
23		SM6041002TP		SCREW M4 L=10				*		4	
24		SM6040860TP		SCREW M4 L=8				*		4	
25		SM6040802TP		SCREW M4X0.7 L=8				*		4	
26		SM8040602TP		SCREW M4X0.7 L=6				*		2	
27		B2522210D00		Y STOPPER				*		1	
28		WP0450846SP		WASHER	FOR 1510,2210			*		2	
29		WP0450846SP		WASHER	FOR 1510			*		2	
30		40077990		X_SENSOR_SLIT						1	
31		22687701		SPRING SHAFT						1	
32		NM6050001SP		NUT M5						3	
33		SB108000500		RADIAL BEARING						2	
34		SM6040802TP		SCREW M4X0.7 L=8						2	
35		SM6040602TP		SCREW M4 L=6						2	
36		SM6052502TP		SCREW M5X0.8 L=25						1	
37		SM8050412TP		SCREW M5 L=4						1	
38		B151902600G		HINGE STUD						2	
39		SM6041202TP		SCREW M4X0.7 L=12						4	
40		WP0450801SP		WASHER						4	
41		SM6041402TP		SCREW M4 L=14						8	
42		40077991		X DRIVEN BRACKET						1	
43		WP0520656SA		WASHER 5.2X9.5X0.6						1	
44		40077992		BELT RECEIVER						1	
45		40077997		X BELT BASE						1	
46		40077995		DRIVEN_SPROCKET						1	

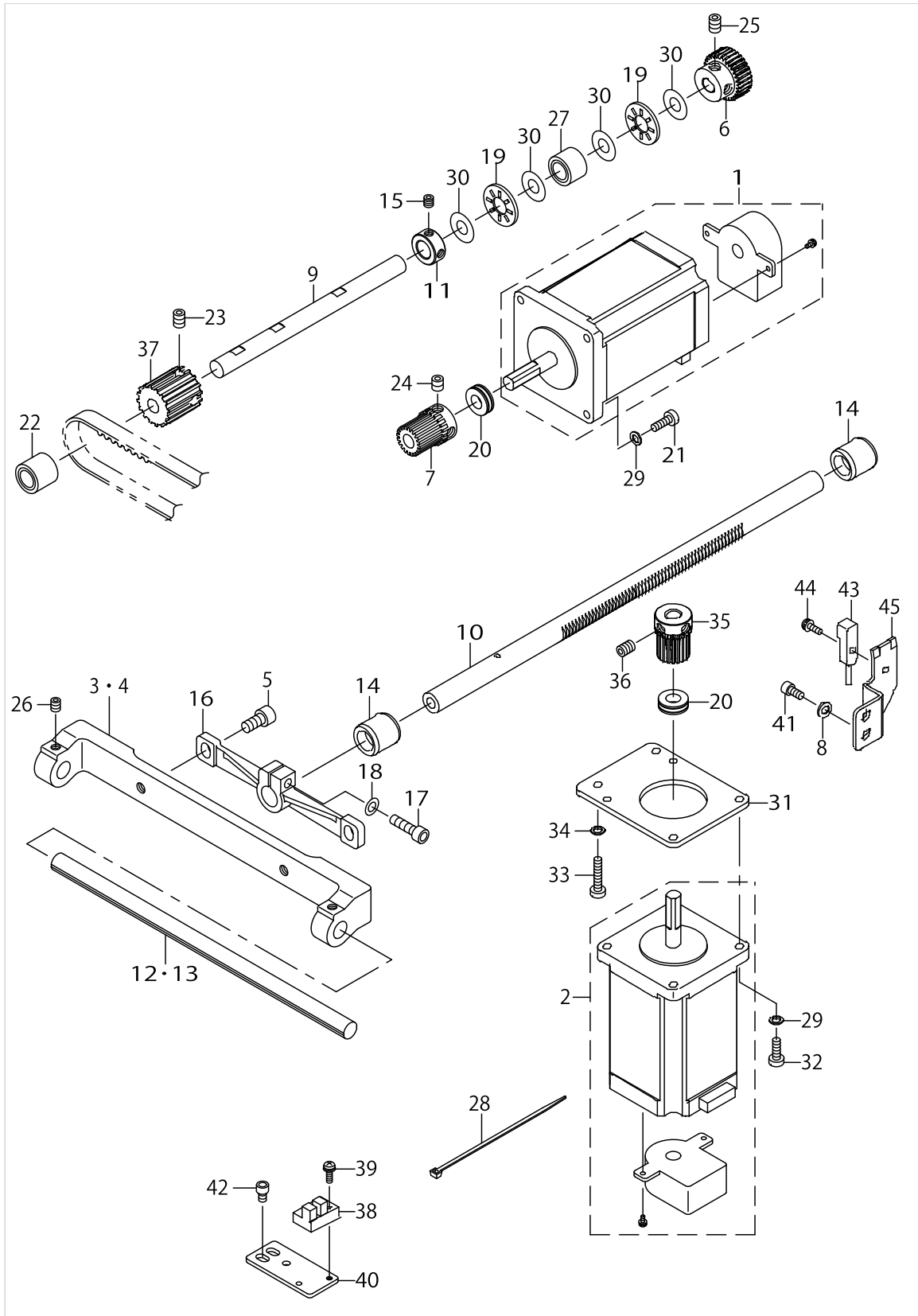
X-Y COMPONENTS (1)



X-Y COMPONENTS (1)

No.	Supply Code	Parts No.	Replacement	Parts name	Remarks	Choice	Step	Level	Cons	Qty	Rep. QTY
47		SM8050812TP		SCREW M5X8						2	
48		40077993		TIMMING_BELT						1	

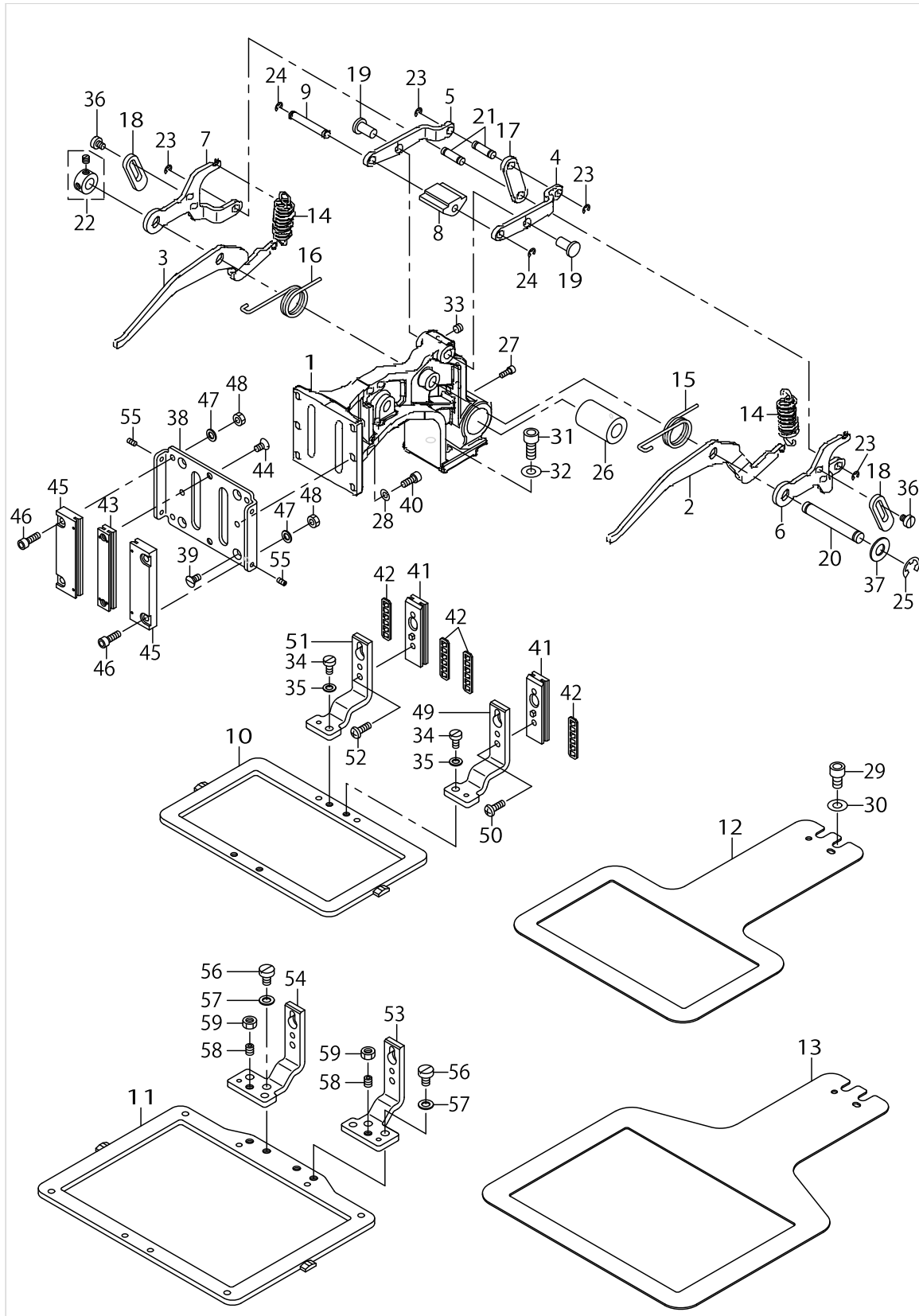
X-Y COMPONENTS (2)



X-Y COMPONENTS (2)

No.	Supply Code	Parts No.	Replacement	Parts name	Remarks	Choice	Step	Level	Cons	Qty	Rep. QTY
1		40103969		ENCODER MOTOR ASM.(IP)						1	
2		40103969		ENCODER MOTOR ASM.(IP)						1	
3		40078061		X_GUIDE_SHAFT_SUPPORT_B	FOR 1306,1510					1	
4		40078060		X_GUIDE_SHAFT_SUPPORT_A	FOR 2210					1	
5		SM6061202TP		SCREW M6 L=12						2	
6		40077985		X_DRIVEN_GEAR						1	
7		B2526210D00		X DRIVE GEAR						1	
8		WP0430801SC		WASHER 4.3X9X0.8						2	
9		40077984		Y_REMOVAL_BUSHING_A						1	
10		40078064		Y_FEED_SHAFT						1	
11		CS1000881TP		THRUST COLLAR						1	
12		40036475		X_GUIDE_SHAFT	FOR 1306,1510					1	
13		40038564		X GUIDE SHAFT	FOR 2210					1	
14		40078057		Y_REMOVAL_BUSHING_A						2	
15		SM8050512TP		SCREW						2	
16		40078062		Y_REMOVAL_SHAFT_HOLDER						1	
17		SM6051802TP		SCREW M5 L=18						1	
18		WP0550800SP		WASHER 5.5X10X0.8						1	
19		11272408		THRUST COLLAR						2	
20		SB408000100		BEARING						2	
21		SM6041200SP		SCREW M4 L=12						4	
22		SB310001300		BEARING						1	
23		SM8060812TP		SCREW M6 L=8						2	
24		SM8060602TP		SCREW M6X6						2	
25		SM8060612TP		SCREW M6 L=6						2	
26		SM8050612TP		SCREW M5X6						2	
27		SB310001200		BEARING						1	
28		EA9500B0100		CABLE BAND						1	
29		WP0450846SP		WASHER						8	
30		16992604		THRUST WASHER						4	
31		40025439		Y_FEED_MOTOR_BASE						1	
32		SM6041200SP		SCREW M4 L=12						4	
33		SM6042000SP		SCREW						2	
34		WP0450846SP		WASHER						2	
35		B2526210D00		X DRIVE GEAR						1	
36		SM8060602TP		SCREW M6X6						2	
37		40077994		DRIVE SPROCKET						1	
38		HD00057000A		PHOTO SENSOR						1	
39		SL4031081SC		SCREW M3X10						1	
40		B4004210D00		X SENSOR INSTALLING PLATE						1	
41		SM6040802TP		SCREW M4X0.7 L=8						2	
42		SM6040602TP		SCREW M4 L=6						2	
43		40032505		Y_SENSOR_ASM.						1	
44		SL4031081SC		SCREW M3X10						1	
45		40078058		Y_SENSOR_INSTALLING_PLATE_A						1	

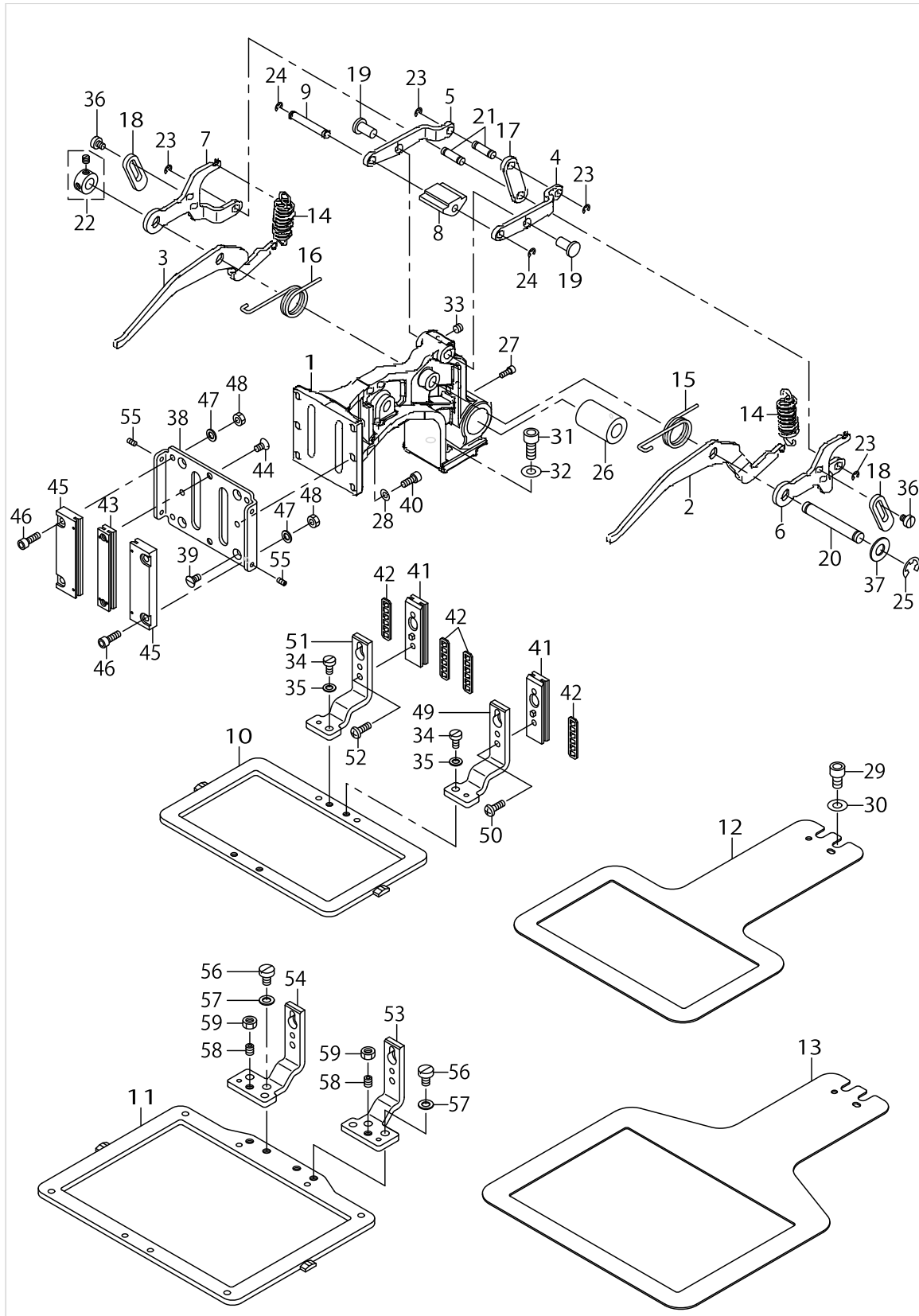
CLOTH FEED MECHANISM COMPONENTS (TYPE S)



CLOTH FEED MECHANISM COMPONENTS (TYPE S)

No.	Supply Code	Parts No.	Replacement	Parts name	Remarks	Choice	Step	Level	Cons	Qty	Rep. QTY
1		40023636		FEED BRACKET						1	
2		40023645		LIFTINGLEVERRIGHT						1	
3		40023646		LIFTING LEVER LEFT						1	
4		40023652		FEED BRACKET UPPER LINK RIGHT						1	
5		40023653		FEED BRACKET UPPER LINK LEFT						1	
6		40023649		SUPPORT LINK RIGHT						1	
7		40023650		SUPPORT LINK LEFT						1	
8		B2579210D00A		SLIDER						1	
9		40023648		SLIDER SHAFT						1	
10		40023638		FEEDING FRAME	FOR 1306					1	
11		40071897		FEEDING_FRAME_1510	FOR 1510					1	
12		40178093		LOWER PLATE	FOR 1306					1	
13		40178092		LOWER PLATE	FOR 1510					1	
14		B2583210D00		SPRING						2	
15		B2581210D00		SPRING RIGHT						1	
16		B2582210D00		SPRING LEFT						1	
17		40023651		FEED BRACKET LINK						1	
18		40023654		LINK STOPPER						2	
19		B1626555000		FEED REGULATOR CONNECTING ROD PIN						2	
20		40023663		SHAFT BLOCK SHAFT						1	
21		40023635		CYLINDER PIN						2	
22		CS079073ASH		THRUST COLLAR ASM.						1	
23		RE0300000K0		E-RING 3						4	
24		RE0300000K0		E-RING 3						2	
25		RE0700000K0		E-RING 7						1	
26		SB710000500		BEARING						1	
27		SM6030802TP		SCREW M3X0.5 L=8						1	
28		WS0410002KP		SPRING WASHER						2	
29		SM6061002TP		SCREW M6 L=10						2	
30		WP0651001SC		WASHER						2	
31		SM6061402TN		BOLT						2	
32		WP0651001SC		WASHER						2	
33		SM8050412TP		SCREW M5 L=4						2	
34		SM6040800SP		SCREW	FOR 1306					2	
35		WP0480856SP		WASHER 4.8X8.4X0.8	FOR 1306					2	
36		SM6450610TP		SCREW						4	
37		B255728000C		WASHER						1	
38		40086368		WORK_CLAMP_FOOT_PLATE_BASE						1	
39		SM1040870TP		SCREW						4	
40		SM6041002TP		SCREW M4 L=10						2	
41		40086370		WORK_CLAMP_FOOT_SLIDE_PLATE_ASM.						2	
42		B2513215000		BEARING						4	
43		40052852		WORK_CLAMP_FOOT_PLATE_A_ASM.						1	
44		SM1040801SP		SCREW M4X0.7 L=8						2	

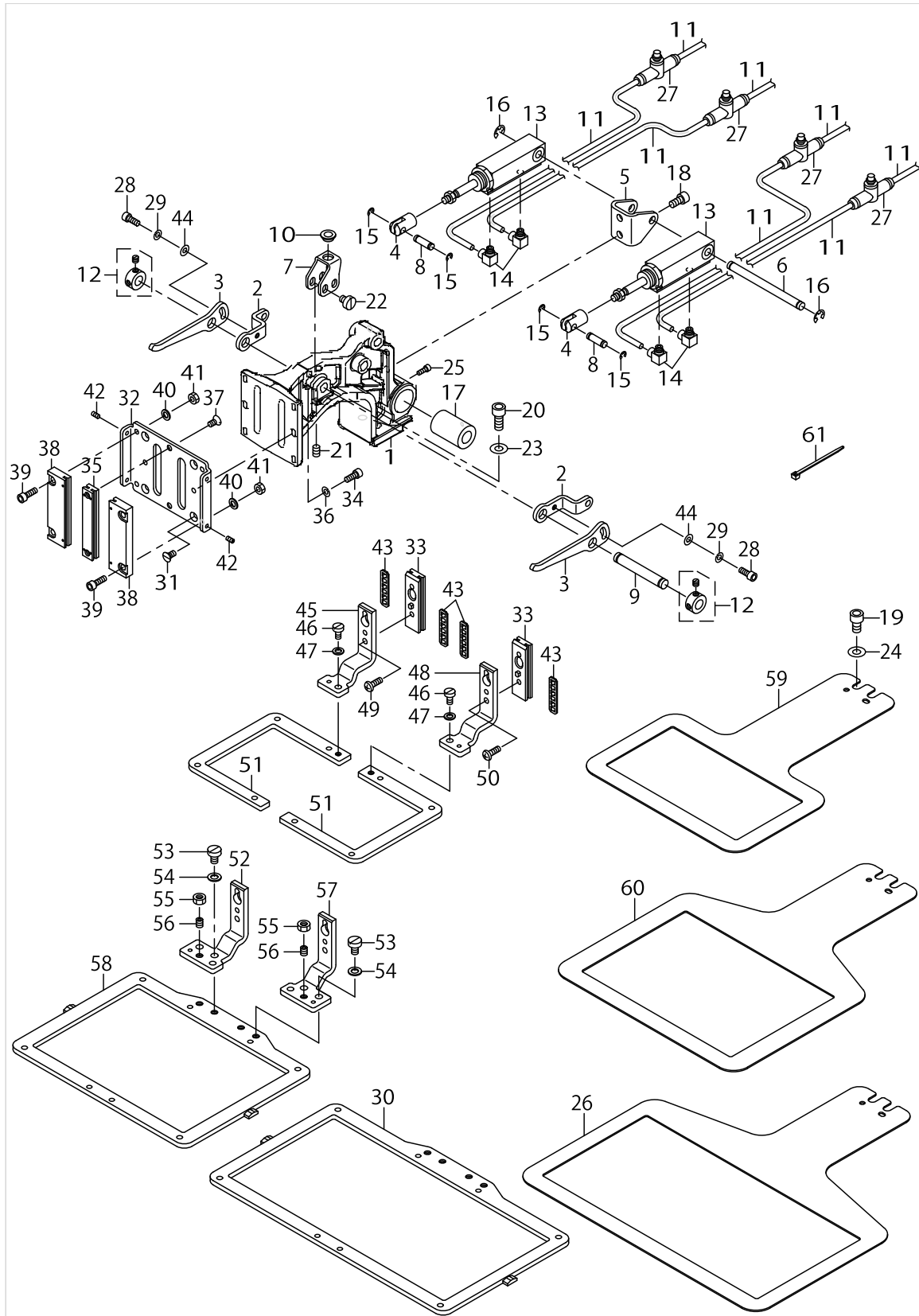
CLOTH FEED MECHANISM COMPONENTS (TYPE S)



CLOTH FEED MECHANISM COMPONENTS (TYPE S)

No.	Supply Code	Parts No.	Replacement	Parts name	Remarks	Choice	Step	Level	Cons	Qty	Rep. QTY
45		40052854		WORK_CLAMP_FOOT_PLATE_B_ASM.						2	
46		SM6041202TP		SCREW M4X0.7 L=12						4	
47		WP0480856SP		WASHER 4.8X8.4X0.8						4	
48		NM6040001SP		NUT M4X0.7						4	
49		40086376		RECEIVER_PLATE_RIGHT_ASM	FOR 1306					1	
50		SM6041050TP		SCREW						2	
51		40086378		RECEIVER_PLATE_LEFT_ASM	FOR 1306					1	
52		SM6041050TP		SCREW						2	
53		40086372		RECEIVER_PLATE_RIGHT_ASM	FOR 1510					1	
54		40086374		RECEIVER_PLATE_LEFT_ASM	FOR 1510					1	
55		SM8030612TP		SET SCREW						4	
56		SM6050800SP		SCREW M5 L=8	FOR 1510					4	
57		WP0550800SP		WASHER 5.5X10X0.8	FOR 1510					4	
58		SM8050812TP		SCREW M5X8	FOR 1510					2	
59		NM6050001SD		NUT M5X0.8	FOR 1510					2	

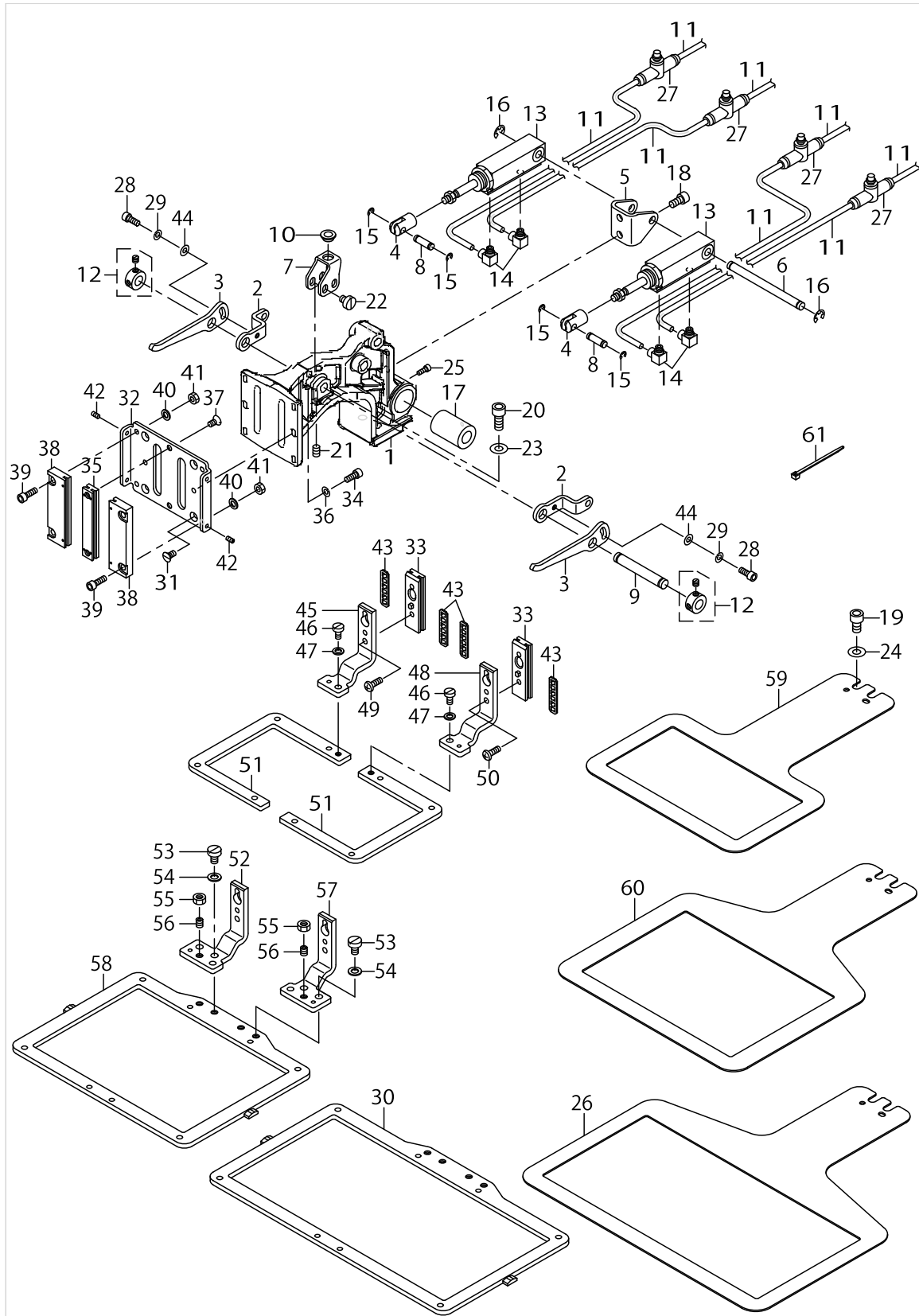
CLOTH FEED MECHANISM COMPONENTS (TYPE L)



CLOTH FEED MECHANISM COMPONENTS (TYPE L)

No.	Supply Code	Parts No.	Replacement	Parts name	Remarks	Choice	Step	Level	Cons	Qty	Rep. QTY
1		40023636		FEED BRACKET						1	
2		40023643		LINK PLATE A						2	
3		40023640		LINK PLATE B						2	
4		40023644		CYLINDER KNUCKLE						2	
5		B2567210D00		CYLINDER INSTALLING BASE						1	
6		40023641		CYLINDER SHAFT						1	
7		40023642		SLIDER BASE						1	
8		40023635		CYLINDER PIN						2	
9		40023663		SHAFTBLOCKSHAFT						1	
10		G5126172000		CLAMP SHAFT HOLDER						1	
11		BT0400251EB		URETHANE HOSE BLACK						4	
12		CS079073ASH		THRUST COLLAR ASM.						2	
13		PA1602006A0		AIR CYLINDER						2	
14		PJ046052503		HOSE ELBOW						4	
15		RE0300000K0		E-RING 3						4	
16		RE0500000K0		E-RING 5						2	
17		SB710000500		BEARING						1	
18		SM6051002TP		SCREW M5X0.8 L=10						2	
19		SM6061002TP		SCREW M6 L=10						2	
20		SM6061402TN		BOLT						2	
21		SM8050812TP		SCREW M5X8						1	
22		SM6450610TP		SCREW						4	
23		WP0651001SC		WASHER						2	
24		WP0651001SC		WASHER						2	
25		SM6030802TP		SCREW M3X0.5 L=8						1	
26		40039541		LOWER_PLATE	FOR 2210					1	
27		PC012405000		UNION STRAIGHT S- PEED CONTROLLER						4	
28		SM6041002TP		SCREW M4 L=10						2	
29		WS0410002KP		SPRING WASHER						2	
30		40071898		FEEDING_FRAME_2210	FOR 2210					1	
31		SM1040870TP		SCREW						4	
32		40086368		WORK_CLAMP_FOOT_PLATE_BASE						1	
33		40086370		WORK_CLAMP_FOO- T_SLIDE_PLATE_ASM.						2	
34		SM6041002TP		SCREW M4 L=10						2	
35		40052852		WORK_CLAMP_FOO- T_PLATE_A_AMS.						1	
36		WS0410002KP		SPRING WASHER						2	
37		SM1040801SP		SCREW M4X0.7 L=8						2	
38		40052854		WORK_CLAMP_FOO- T_PLATE_B_ASM.						2	
39		SM6041202TP		SCREW M4X0.7 L=12						4	
40		WP0480856SP		WASHER 4.8X8.4X0.8						4	
41		NM6040001SP		NUT M4X0.7						4	
42		SM8030612TP		SET SCREW						4	
43		B2513215000		BEARING						4	
44		WP0450000SD		WASHER 4.5X8X0.5						2	
45		40086378		RECEIVER_PLATE_LEFT_ASM	FOR 1306					1	

CLOTH FEED MECHANISM COMPONENTS (TYPE L)



CLOTH FEED MECHANISM COMPONENTS (TYPE L)

No.	Supply Code	Parts No.	Replacement	Parts name	Remarks	Choice	Step	Level	Cons	Qty	Rep. QTY
46		SM6040800SP		SCREW	FOR 1306					2	
47		WP0480856SP		WASHER 4.8X8.4X0.8	FOR 1306					2	
48		40086376		RECEIVER_PLATE_RIGHT_ASM	FOR 1306					1	
49		SM6041050TP		SCREW						2	
50		SM6041050TP		SCREW						2	
51		40023639		2-STEP FEEDING FRAME	FOR 1306					2	
52		40086374		RECEIVER_PLATE_LEFT_ASM	FOR 1510,2210					1	
53		SM6050800SP		SCREW M5 L=8	FOR 1510,2210					4	
54		WP0550800SP		WASHER 5.5X10X0.8	FOR 1510,2210					4	
55		NM6050001SD		NUT M5X0.8	FOR 1510,2210					2	
56		SM8050812TP		SCREW M5X8	FOR 1510,2210					2	
57		40086372		RECEIVER_PLATE_RIGHT_ASM	FOR 1510,2210					1	
58		40071897		FEEDING_FRAME_1510	FOR 1510					1	
59		40178093		LOWER PLATE	FOR 1306					1	
60		40178092		LOWER_PLATE	FOR 1510					1	
61		HX002330000		CLIP						6	

TABLE COMPONENTS

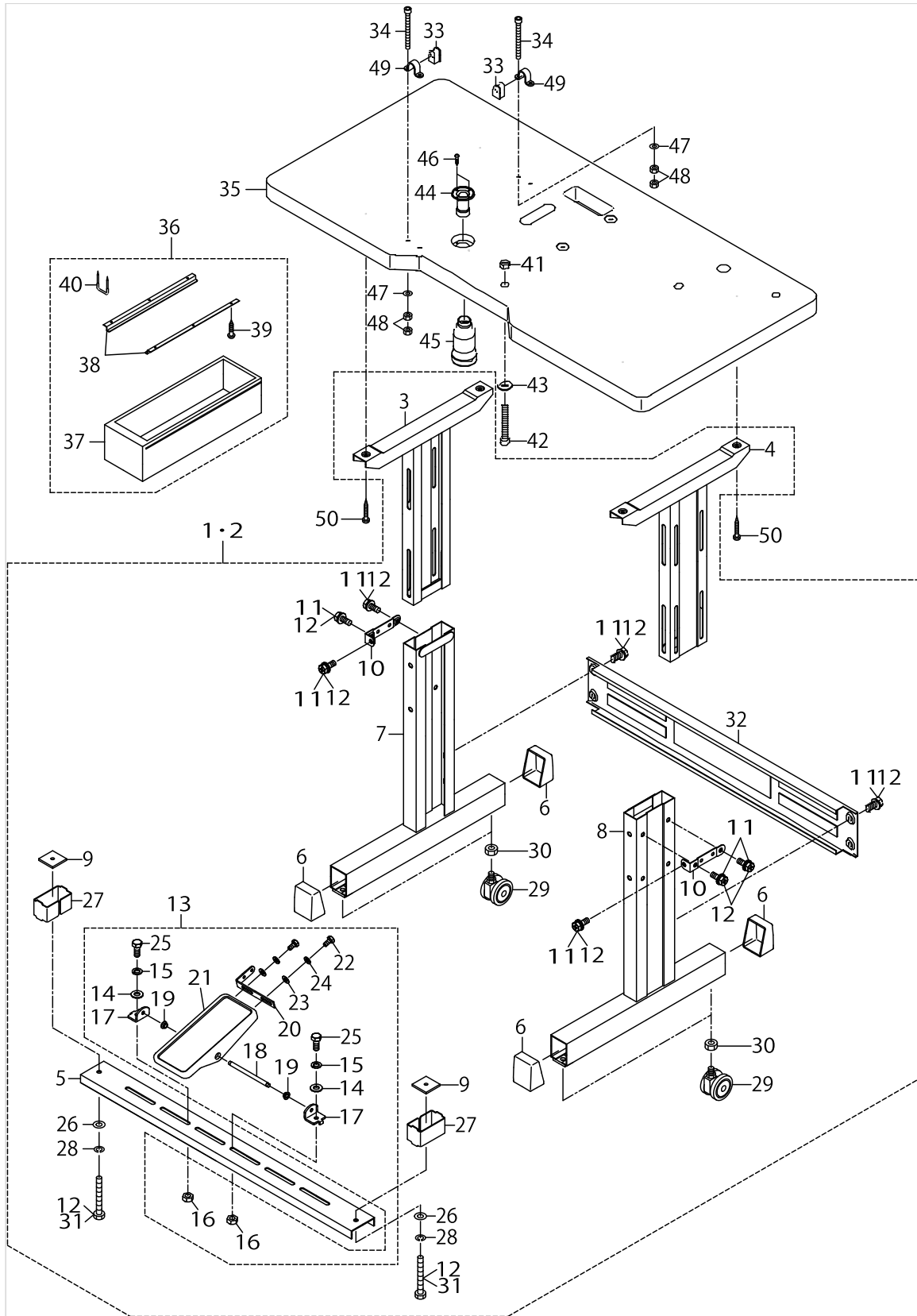


TABLE COMPONENTS

No.	Supply Code	Parts No.	Replacement	Parts name	Remarks	Choice	Step	Level	Cons	Qty	Rep. QTY
1		14191951		T-STAND COMPL.	TYPE S					1	
2		40038255		T-STAND COMPL.(AIR TYPE)	TYPE L					1	
3		B8101210AAB		UPPER STAND COMPL.				*		1	
4		14118152		UPPER STAND ASM. RIGHT				*		1	
5		11158409		STAND SIDE SUPPORT				*		1	
6		11158607		RUBBER CAP				*		4	
7		B8105210AAA		STAND COMPL.				*		1	
8		14118251		STAND ASM. RIGHT				*		1	
9		17007402		NUT				*		2	
10		11158516		UPPERSTANDPLATE				*		2	
11		SL9082091SE		WASHER HEXAGONAL BOLT	TYPE S			*		10	
12		SL9082091SE		WASHER HEXAGONAL BOLT	TYPE L			*		12	
13		13817754		Z-STAND PEDAL COMPL.	TYPE S			*		1	
14		WP0871602SE		WASHER 8.7X18X1.6	TYPE S			*		4	
15		WS0861410KR		SPRING WASHER 8.6X15X1.4	TYPE S			*		2	
16		NM6080721SE		NUT M8	TYPE S			*		2	
17		11159001		PEDAL SHAFT BRACKET	TYPE S			*		2	
18		B8153771000		PEDAL CONNECTING ROD	TYPE S			*		1	
19		D8113555B00		PEDAL BUSHING	TYPE S			*		2	
20		GPF06080000		PEDAL ADJUSTING PLATE	TYPE S			*		1	
21		GPF060600A0		PEDAL COMPL.	TYPE S			*		1	
22		SM9061203SE		SCREW M6 L=12	TYPE S			*		2	
23		WP0671016SE		WASHER 6.7X13X1	TYPE S			*		2	
24		WS0621210KR		SPRING WASHER 6.2X11.4X1.2	TYPE S			*		2	
25		SM9082023SE		SCREW M8 L=20	TYPE S			*		2	
26		WP0871602SE		WASHER 8.7X18X1.6	TYPE S			*		2	
27		11159506		STRUT AUXILIARY PLATE	TYPE S			*		2	
28		WS0861410KR		SPRING WASHER 8.6X15X1.4	TYPE S			*		2	
29		B8150210000		CASTER				*		4	
30		NM6120003SE		NUT M12				*		4	
31		SM9086523SE		HEXAGONAL BOLT	TYPE S			*		2	
32	D	11158300		STAND SIDE SUPPORT				*		1	
33		B1115210D00		HINGE RUBBER	ACCESSO- RIE PARTS					2	
34		SM6066002TN		BOLT M6 L=60	ACCESSO- RIE PARTS					4	
35		40030949		TABLE						1	
36		11155157		DRAWER ASM.						1	
37	R	11155108	11155157	DRAWER				*		1	1.00
38		11155207		DRAWER SUPPORT				*		2	
39	R	SK3311600SC	SK3311601SE	WOOD SCREW D=3.1 L=16				*		6	1.00
40		D8204555D00		DRAWER STOPPER				*		1	
41		NM6080001SC		NUT M8X1.25	ACCESSO- RIE PARTS					1	
42		SM6086002TP		SCREW	ACCESSO- RIE PARTS					1	
43		WP0851846SC		WASHER 8.5X22.0X1.8	ACCESSO- RIE PARTS					1	
44		B8202205000		OIL MANAGEMENT	ACCESSO- RIE PARTS					1	

TABLE COMPONENTS

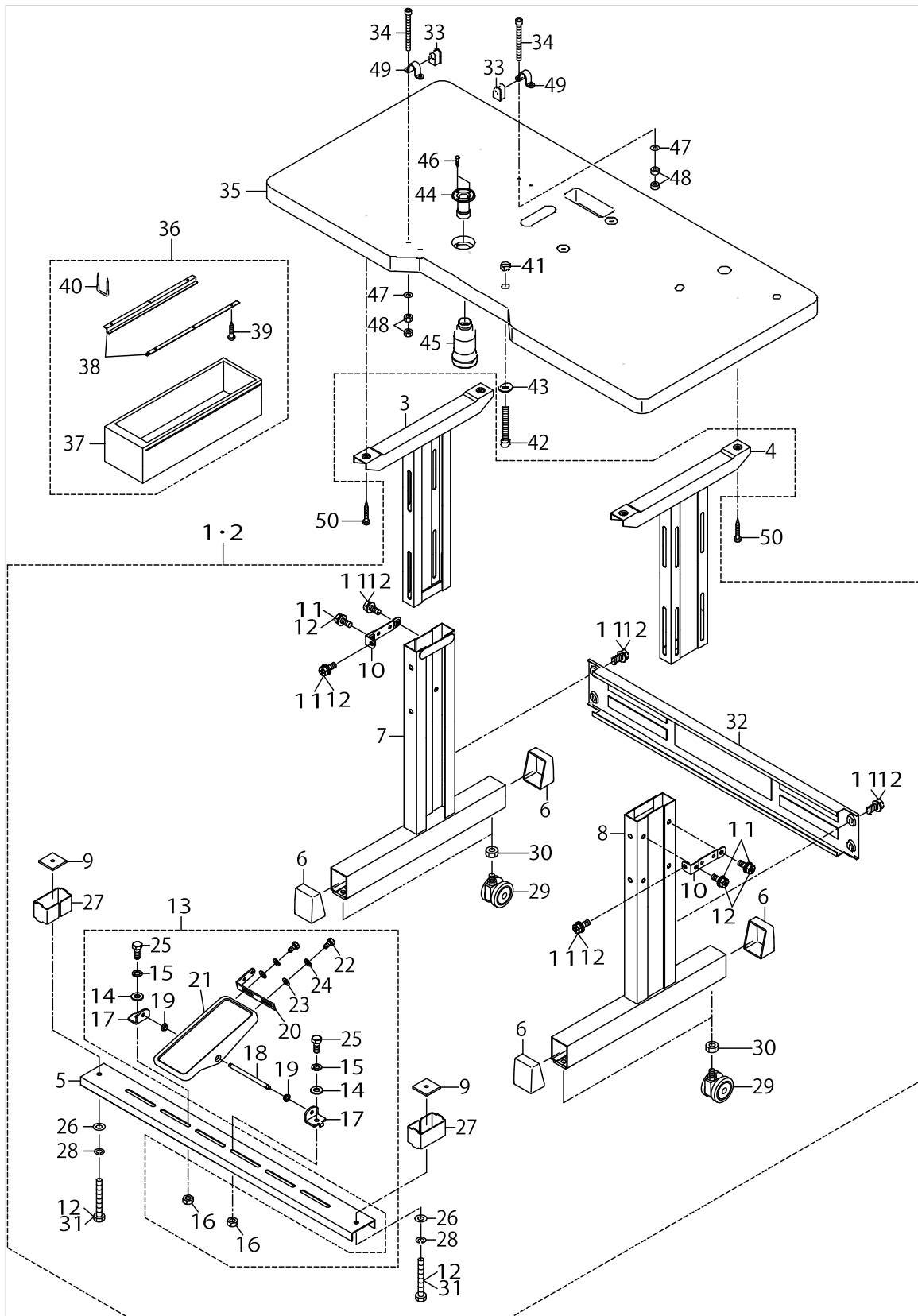
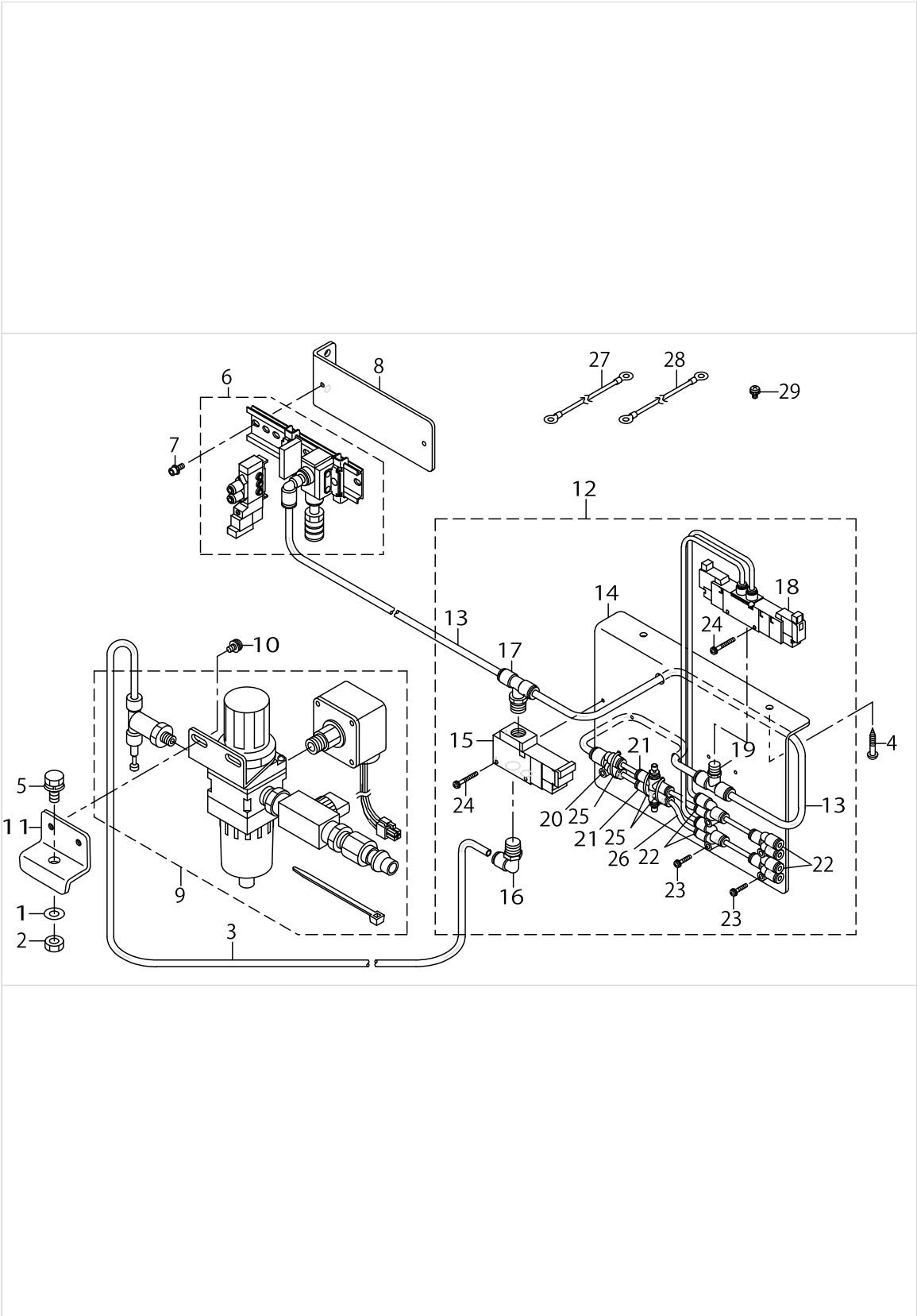


TABLE COMPONENTS

No.	Supply Code	Parts No.	Replacement	Parts name	Remarks	Choice	Step	Level	Cons	Qty	Rep. QTY
45		B9121012000		OIL CAN	ACCESSO- RIE PARTS					1	
46		SK3311601SE		WOOD SCREW D=3.1 L=16	ACCESSO- RIE PARTS					2	
47		WP0651646SC		WASHER	ACCESSO- RIE PARTS					4	
48		NM6060001SC		NUT M6	ACCESSO- RIE PARTS					8	
49		B1111210D00		BED HINGE	ACCESSO- RIE PARTS					2	
50		ST9053511SR		TAPPING SCREW M5X35						4	

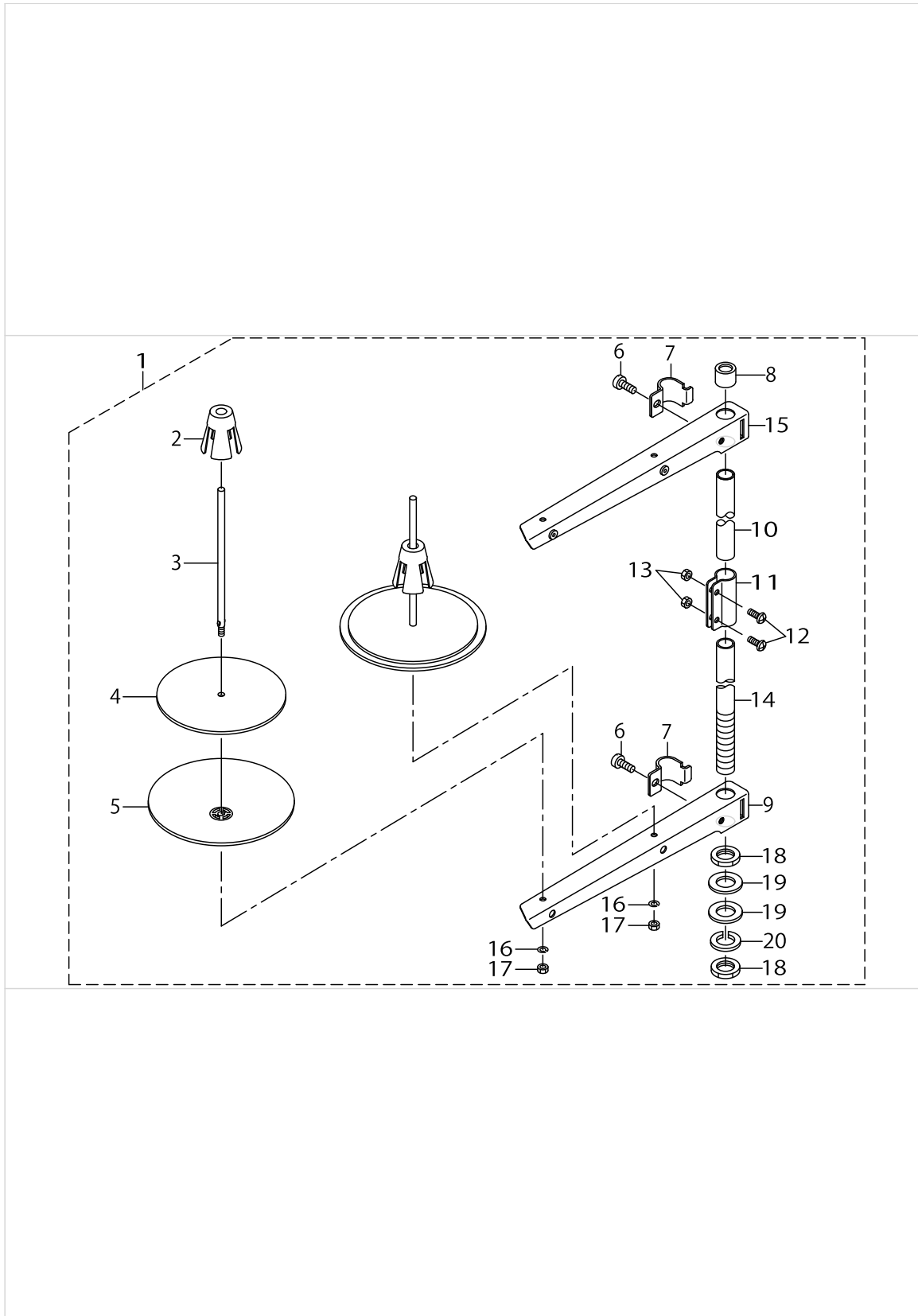
PNEUMATIC COMPONENTS (TYPE L, ACCESSORIE PARTS)



PNEUMATIC COMPONENTS (TYPE L, ACCESSORIE PARTS)

No.	Supply Code	Parts No.	Replacement	Parts name	Remarks	Choice	Step	Level	Cons	Qty	Rep. QTY
1		WP0871602SE		WASHER 8.7X18X1.6						1	
2		NM6080721SE		NUT M8						1	
3		BT0600401EB		TUBE						.5	
4		SK3452500SC		WOOD SCREW D=4.5 L=25						2	
5		SL9082093SE		SCREW						1	
6		40075962		SOLENOID VALVE ASM(1)						1	
7		SL6041092TN		SCREW						2	
8		40030950		SOLENOID_VALVE_FITTING_BASE						1	
9		40030951		FILTER_REGULATOR_ASM.						1	
10		SL4051091SC		SCREW M5X0.8 L=10						2	
11		40023662		FILTER INSTALLING PLATE						1	
12		40076736		SOLENOID_INSTALLING_PLATE_A_ASM.						1	
13		BT0600401EB		TUBE				*		1.1	
14	R	40076738	40105703	SOLENOID_INSTALLING_PLATE				*		1	1.00
15		PV135207000		3-PORT ELECTROMAGNETIC VALVE				*		1	
16		PJ304065201		ELBOW UNION 6XPT1/4				*		1	
17		PJ305065204		DOUBLE-ENDED T UNION				*		1	
18		PV155113000		5-PORT SOLENOID VALVE				*		1	
19		PJ305065107		DOUBLE-ENDED T UNION				*		1	
20		PJ308060005		IKEI UNION				*		1	
21		PC012406000		SPEED CONTROLLER				*		2	
22		PJ308040002		QUICK COUPLING				*		4	
23		SL4031691SC		SCREW M3 L=16				*		4	
24		SL4032591SC		SCREW M3X25				*		4	
25		EA9500B0100		CABLE BAND				*		3	
26		BT0400251EB		URETHANE HOSE BLACK				*		0.6	
27		40178441		FG CABLE ASSY 1						1	
28		40178442		FG CABLE ASSY 2						1	
29		SL4040891SC		SCREW M4 L=8						1	

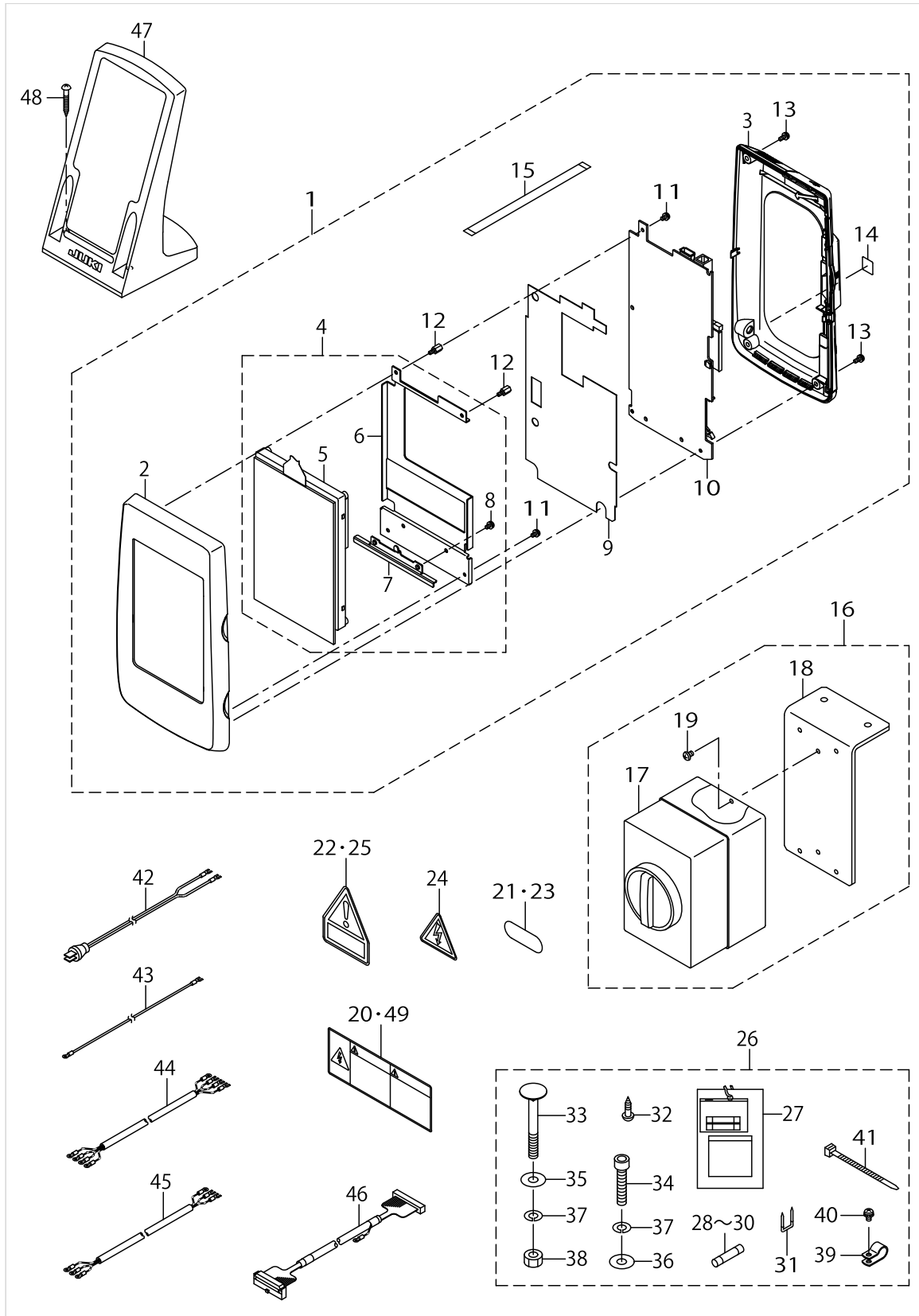
THREAD STAND COMPONENTS



THREAD STAND COMPONENTS

No.	Supply Code	Parts No.	Replacement	Parts name	Remarks	Choice	Step	Level	Cons	Qty	Rep. QTY
1	R	22930358	40096354	THREAD STAND ASM.						1	1.00
2	R	22931109	40085791	SPOOL RETAINER				*		2	1.00
3	R	22931000	40085790	SPOOL PIN				*		2	1.00
4		22930903		SPOOL REST CUSHION				*		2	
5		22930804		SPOOL REST				*		2	
6		SM6061610SC		SCREW M6 L=16				*		2	
7	R	22930705	40096354	THREAD GUIDE ARM JOINT				*		2	1.00
8		22931406		SPOOL REST ROD RUBBER CAP				*		1	
9	R	22930507	40096354	SPOOL REST ARM				*		1	1.00
10	R	22930408	40096354	SPOOL REST ROD UPPER				*		1	1.00
11	R	22931307	40096354	SPOOL REST ROD JOINT				*		1	1.00
12		SM4051405SE		SCREW M5 L=14				*		2	
13		NM6050001SE		NUT M5				*		2	
14	R	22930309	40096354	SPOOL REST ROD LOWER				*		1	1.00
15	R	22930556	40096354	THREAD STANDING ARM ASM.				*		1	1.00
16		WS0510002KN		SPRING WASHER				*		2	
17		NM6050001SE		NUT M5				*		2	
18		NM6160511SE		NUT M16X1.5				*		2	
19		WP1612616SE		WASHER 16X30X2.6				*		2	
20	R	WS1643202KR	WP1612616SE	SPRING WASHER		A		*		1	2.00
20	R	WS1643202KR	40085796	SPRING WASHER		A		*		1	2.00

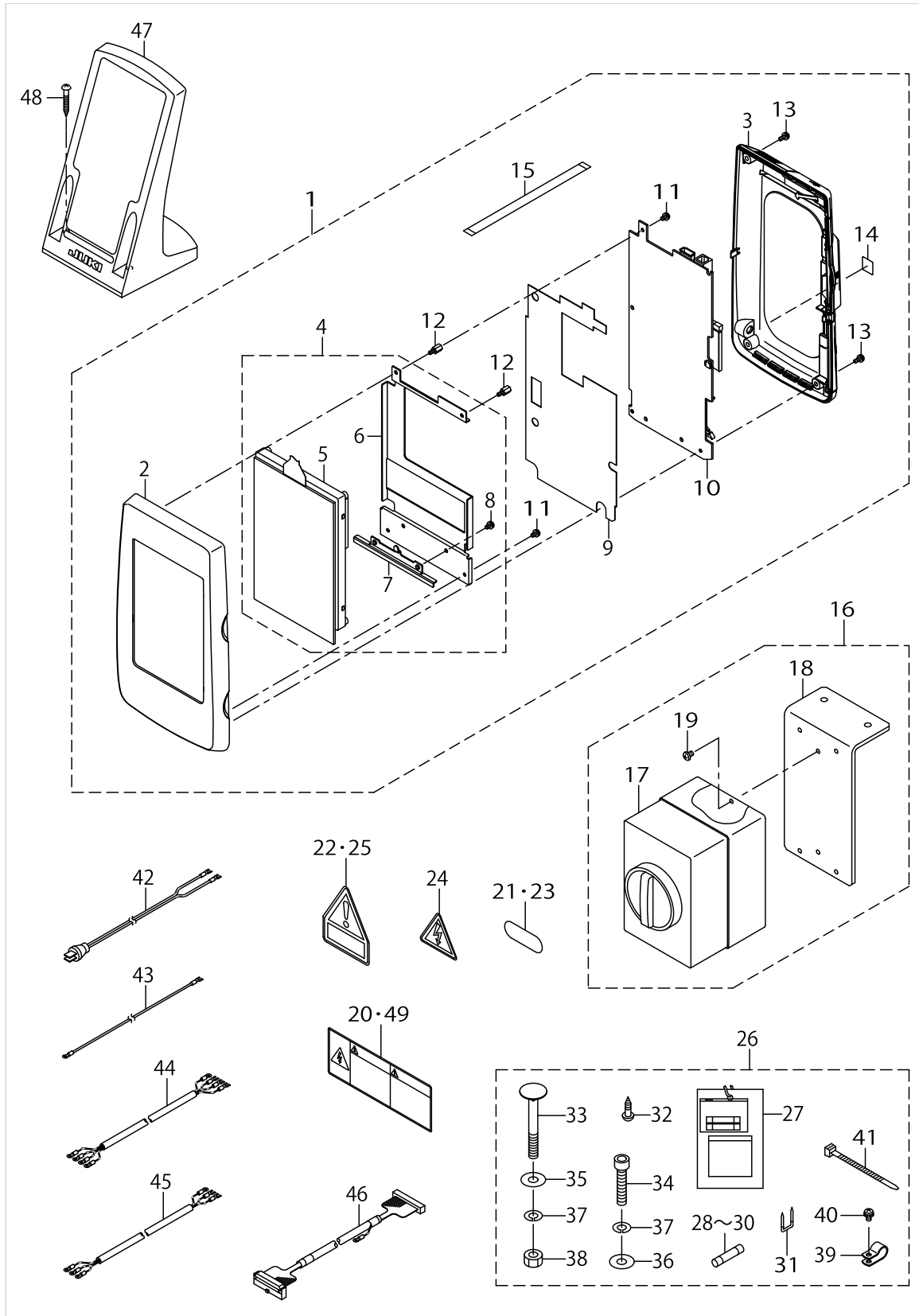
OPERATION PANEL COMPONENTS



OPERATION PANEL COMPONENTS

No.	Supply Code	Parts No.	Replacement	Parts name	Remarks	Choice	Step	Level	Cons	Qty	Rep. QTY
1		40086485		IP-420F PANEL ASSY						1	
2		40078163		FRONT_CASE				*		1	
3		40080799		REAR_CASE_ASSY				*		1	
4		40080800		LCD_ASSY				*		1	
5		40086541		LCD TOUCH PANEL ASSY	TECHNICAL INFOMATI- ON (A16-029)			*		1	
6		40083668		LCD_BRACKET	TECHNICAL INFOMATI- ON (A16-029)			*		1	
7	R	40083666	40080800	LCD_STAY				*		1	1.00
8		SL4030681SC		SCREW M3 L=6				*		2	
9		40078168		INSULATION_SHEET				*		1	
10	R	40083960	40086541	PANEL PCB ASSY		A		*		1	1.00
10	R	40083960	40083668	PANEL PCB ASSY		A		*		1	1.00
10	R	40083960	40166481	PANEL PCB ASSY		A		*		1	1.00
10	R	40083960	40166318	PANEL PCB ASSY		A		*		1	1.00
10	R	40083960	HW002650330	PANEL PCB ASSY		A		*		1	1.00
11		SL4030681SC		SCREW M3 L=6				*		3	
12		HX00354000B		PCB SUPPORT L=8MM				*		2	
13		SL4030881SC		SCREW M3X8				*		4	
14		CM600100101		WEEE MARK LABEL S				*		1	
15	R	HW002180200	HW002650330	FLAT CABLE		A		*		1	1.00
15	R	HW002180200	40083668	FLAT CABLE		A		*		1	1.00
15	R	HW002180200	40086541	FLAT CABLE		A		*		1	1.00
15	R	HW002180200	40166481	FLAT CABLE		A		*		1	1.00
15	R	HW002180200	40166318	FLAT CABLE		A		*		1	1.00
16		40081602		POWER SWITCH ASM						1	
17		HA005820000		SWITCH				*		1	
18		40081603		SWITCH INSTALLATION BOARD				*		1	
19		SL4041091SE		SCREW M4 L=10				*		2	
20		CM300100401		LABEL 3 (LARGE)	FOR USE IN JAPAN(1-PHASE)					1	
21		BME01100000		VOLTAGE INDICATION SEAL	FOR USE IN JAPAN(1-PHASE)					1	
22		CM300400701		VOLTAGE CAUTION LABEL	FOR USE IN JAPAN,JA					1	
23		BME03200000		VOLTAGE INDICATION SEAL	FOR USE IN JAPAN,JA					1	
24		CM300100003		VOLTAGE WARNING LABEL(25)	FOR JE,GE- NERAL EXPORT					1	
25		CM300400601		VOLTAGE CAUTION LABEL	FOR JE,GE- NERAL EXPORT					1	
26		40085316		OPTION A ASSY						1	
27		M300451100A		VOLTAGE INDICATION CARD A				*		1	
28		HF00130315S		FUSE 3.15A 250V REF. NO.112				*		1	
29		HF003000200		FUSE 2A (220/240V)				*		1	
30		HF0013050P0		FUSE 5A				*		1	
31	D	MA011532000		STAPLE				*		3	
32		SK3512001SE		WOOD SCREW D=5.1 L=20				*		2	
33		MTSHJ100003		BOLT				*		2	
34		SM6084002TN		SCREW M8 L=40				*		1	

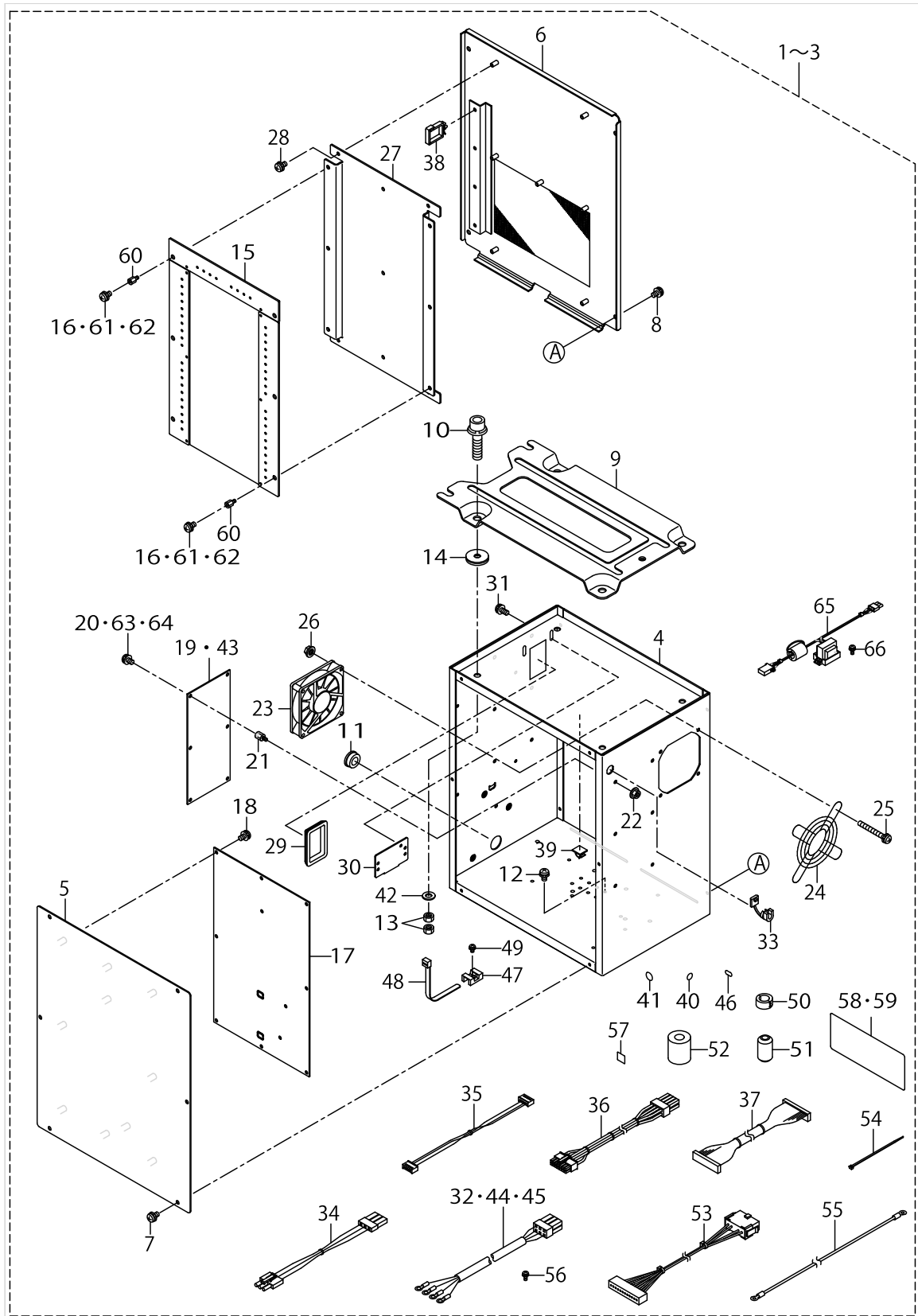
OPERATION PANEL COMPONENTS



OPERATION PANEL COMPONENTS

No.	Supply Code	Parts No.	Replacement	Parts name	Remarks	Choice	Step	Level	Cons	Qty	Rep. QTY
35		WP0852086SC		WASHER M8				*		2	
36		WP0841601SC		WASHER 8.4X17.4X1.6				*		1	
37		WS0820002KR		SPRING WASHER M8				*		3	
38		NM6080002SC		NUT M8				*		2	
39		HX00150000D		CABLE CLIP				*		2	
40		SL4040881SC		SCREW M4 L=8				*		2	
41		HX00065000A		CABLE CLIP				*		2	
42		40086468		POWER CABLE 1P PLUG ASSY	FOR USE IN JAPAN(1-PHASE)					1	
43		M90345800A0		GROUND CORD ASM.	FOR USE IN JAPAN(1-PHASE)					1	
44		40086469		POWER CABLE 3P ASSY	FOR USE IN JAPAN,JA					1	
45		40086470		POWER CABLE 1P ASSY	FOR JE,GE- NERAL EXPORT					1	
46		40125156		TAPE PANEL CABLE ASM						1	
47		40035024		OPERATION_BOX_FIXED_PLATE(B)ASM						1	
48		SK3413201SE		WOOD SCREW D=4.1 L=32						2	
49		CM300100401		LABEL 3 (LARGE)	FOR USE IN JAPAN,JA					1	

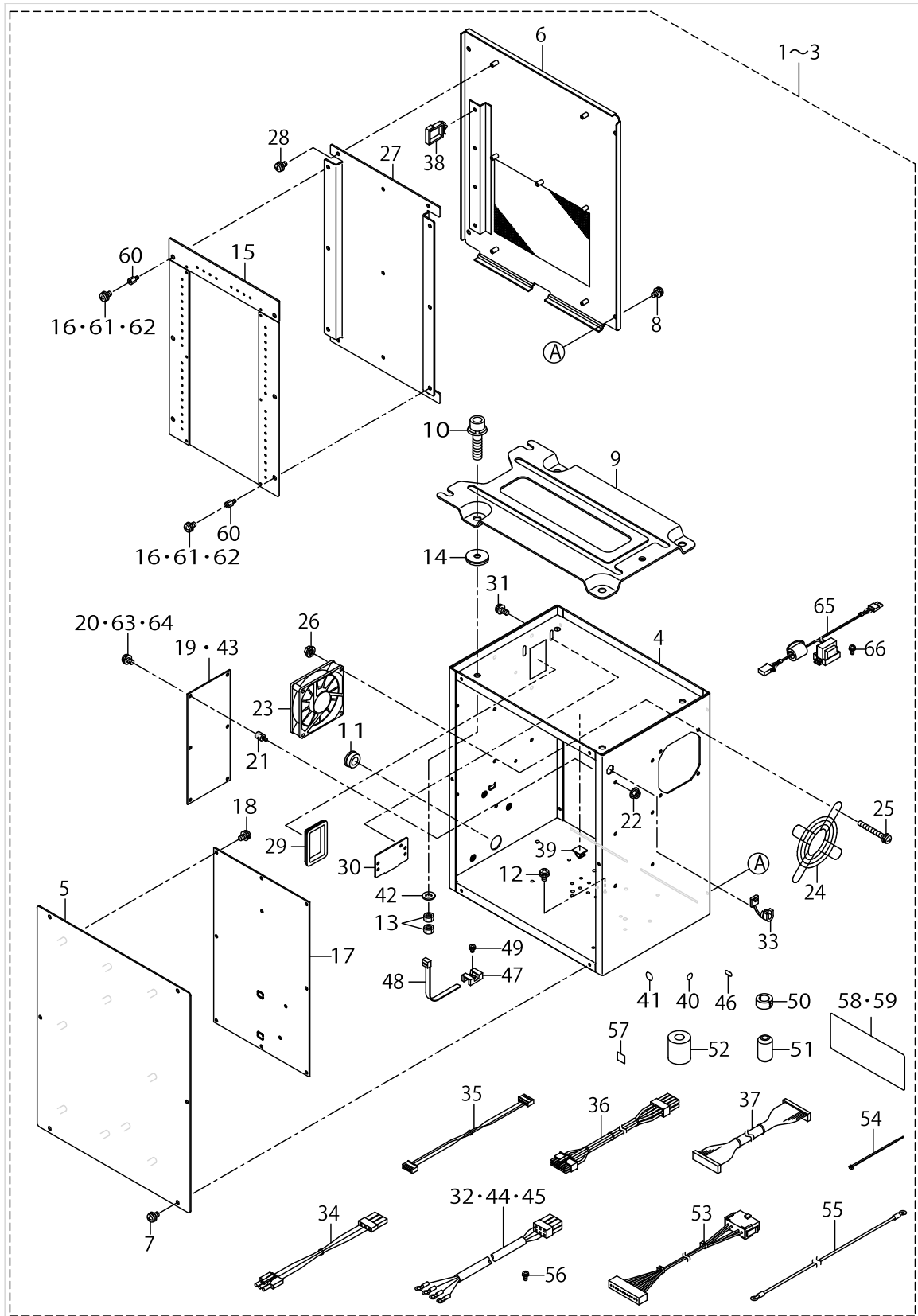
CONTROL BOX COMPONENTS



CONTROL BOX COMPONENTS

No.	Supply Code	Parts No.	Replacement	Parts name	Remarks	Choice	Step	Level	Cons	Qty	Rep. QTY
1		40081561		MC-587 BOX A	FOR MC-587 BOX A					1	
2		40081562		MC-587 BOX B	FOR MC-5-87 BOX B,C					1	
3		40081563		MC-587 BOX C	FOR MC-587 BOX B					1	
4		40055355		CONTROL BOX				*		1	
5		40055366		CONTROL BOX FRONT COVER				*		1	
6		40055357		CONTROL BOX REAR COVER				*		1	
7		SL4040891SC		SCREW M4 L=8				*		6	
8		SL4040891SC		SCREW M4 L=8				*		4	
9		M3801476000		TRANSMISSION BOX FITTING PLATE				*		1	
10		SL6083092TN		SCREW				*		4	
11		HX00326000K		GROMMET				*		1	
12		SL4040891SC		SCREW M4 L=8				*		4	
13		NM6080001SC		NUT M8X1.25				*		8	
14		M4206461000		WASHER				*		4	
15		40099961		MAIN PCB A ASSY				*		1	
16		SL4040881SC		SCREW M4 L=8	FOR MC-5-87 BOX A,C			*		6	
17		40082758		SDC PCB A ASSY				*		1	
18		SL4040881SC		SCREW M4 L=8				*		10	
19		40000056		FLT-T PCB A ASS'Y	FOR MC-587 BOX A			*		1	
20		SL4040881SC		SCREW M4 L=8	FOR MC-5-87 BOX A,C			*		6	
21		HX003390000		STUD				*		6	
22		NM3040520SC		NUT M4				*		6	
23		40005401		FAN MOTOR ASS'Y				*		1	
24		KM000000480		FAN MOTOR				*		1	
25		SL4043591SC		SCREW				*		4	
26		NM3040520SC		NUT M4				*		4	
27		40005706		MAIN PCB HOLDER PLATE				*		1	
28		SL4040881SC		SCREW M4 L=8				*		5	
29		HX004070000		BUSH				*		1	
30		17845009		CORD FITTING PLATE				*		1	
31		SL4041091SC		SCREW M4 L=10				*		2	
32		40086465		POWER CORD 3P ASSY	FOR MC-587 BOX A			*		1	
33		HX00410000A		STRAIN RELIEF BUSHING				*		1	
34		40005393		FLT-SDC CORD P ASS'Y	FOR MC-5-87 BOX A,C			*		1	
35		40005394		FLT-SDC CORD S ASS'Y				*		1	
36		40005726		SDC-MAIN CORD P ASS'Y				*		1	
37		40005727		SDC-MAIN CORD S ASS'Y				*		1	
38		HX005110000		WIRE SADDLE				*		3	
39		E9607603000		STICKER (SMALL)				*		1	
40		E9567319000		EARTH MARK				*		1	
41		40003458		MASK SEAL				*		15	
42		WP0841601SC		WASHER 8.4X17.4X1.6				*		4	
43		40162838		FLT-CE PCB A ASSY	FOR MC-5-87 BOX B,C			*		1	
44		40086466		POWER CORD JE ASSY	FOR MC-587 BOX B			*		1	

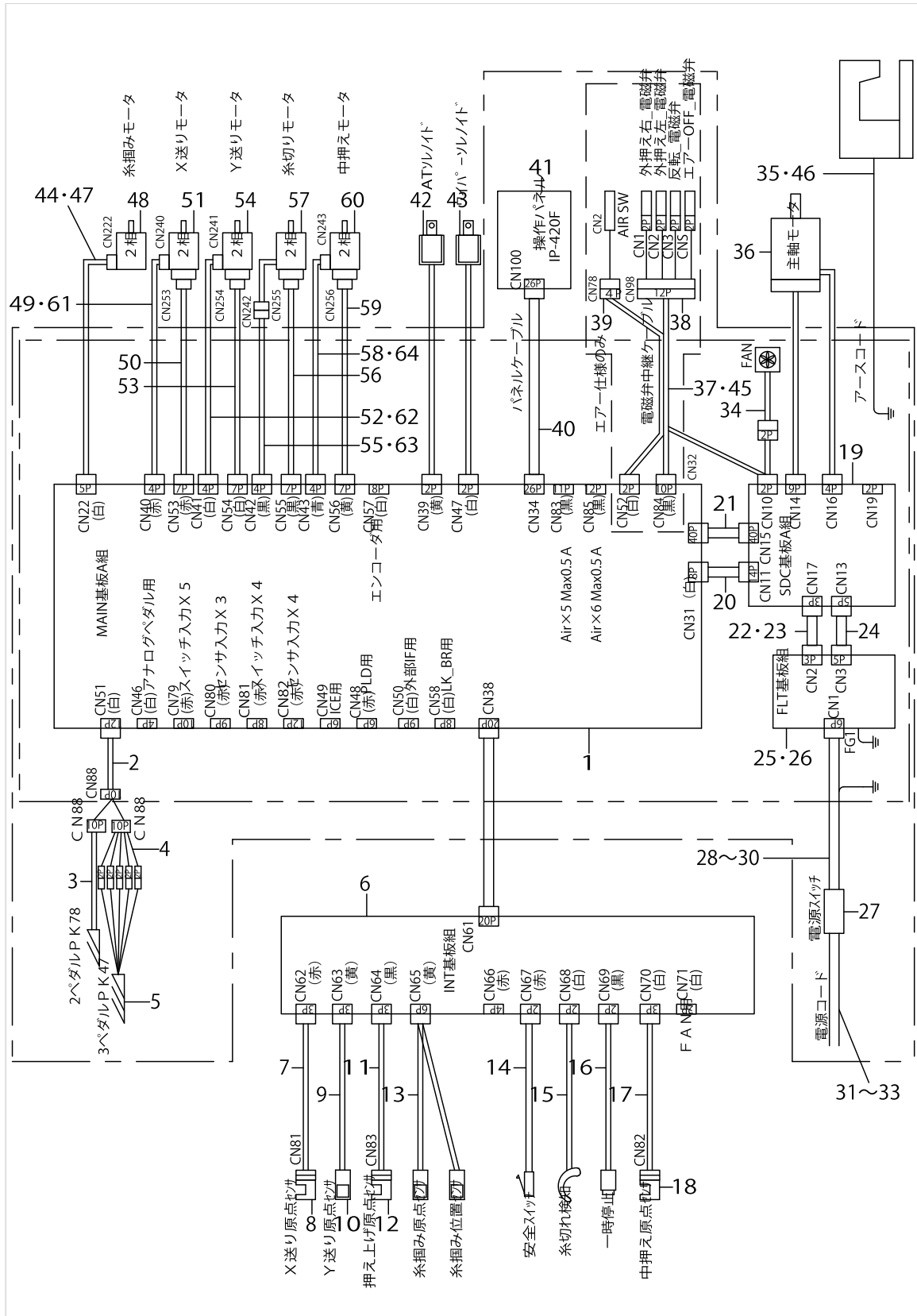
CONTROL BOX COMPONENTS



CONTROL BOX COMPONENTS

No.	Supply Code	Parts No.	Replacement	Parts name	Remarks	Choice	Step	Level	Cons	Qty	Rep. QTY
45		40086467		POWER CORD 1P ASSY	FOR MC-587 BOX C			*		1	
46		CM200100001		PE MARK LABEL	FOR MC-587 BOX B			*		1	
47		KX000000210		SADDLE TYPE TIE MOUNT				*		1	
48		KX000000230		RELEASIBLE CABLE TIE				*		1	
49		SL4040881SC		SCREW M4 L=8				*		1	
50		HN002460000		CORES	FOR MC-587 BOX B			*		1	
51		HN002840000		CORES	FOR MC-587 BOX B			*		1	
52		HN001490000		CLAMP FILTER(L)				*		1	
53		40073659		SW RELAY CORD ASM				*		1	
54		EA9500B0100		CABLE BAND				*		1	
55		M90295800A0		FDD EARTH CORD ASM.				*		1	
56		SL4041081SC		SCREW M4 L=10	FOR MC-587 BOX B			*		1	
57		CM600100101		WEEE MARK LABEL S	FOR MC-587 BOX B			*		1	
58		40051640		ELECTRICAL_RATING_LABEL_UNIVERSAL	FOR MC-5-87 BOX A,C			*		1	
59	D	40057278		ELECTRICAL_RATING_LABEL_CE_UNIVERSAL	FOR MC-587 BOX B			*		1	
60		HX00339000M		SPACER	FOR MC-587 BOX B			*		5	
61		SL4040881SC		SCREW M4 L=8	FOR MC-587 BOX B			*		1	
62		SL4041091SC		SCREW M4 L=10	FOR MC-587 BOX B			*		5	
63		SL4040881SC		SCREW M4 L=8	FOR MC-587 BOX B			*		5	
64		SL4041081SC		SCREW M4 L=10	FOR MC-587 BOX B			*		1	
65		40163025		REACTOR CORD ASSY	FOR MC-587 BOX B			*		1	
66		SL4040891SC		SCREW M4 L=8	FOR MC-587 BOX B			*		2	

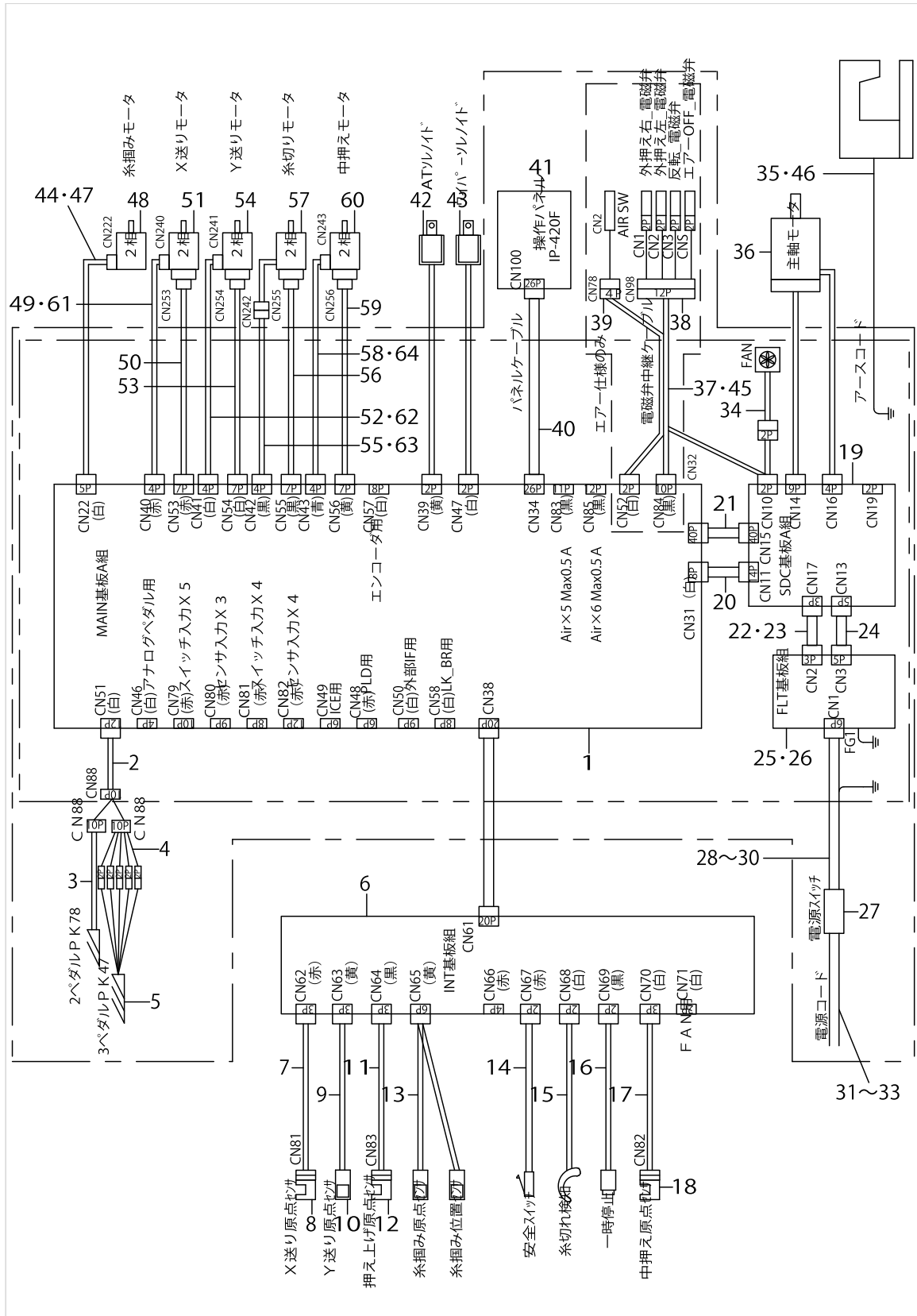
WIRING DIAGRAM



WIRING DIAGRAM

No.	Supply Code	Parts No.	Replacement	Parts name	Remarks	Choice	Step	Level	Cons	Qty	Rep. QTY
1		40099961		MAIN PCB A ASSY						1	
2		40073659		SW RELAY CORD ASM						1	
3		40033831		PK78 PEDAL SWITCH ASM						1	
4		40033875		PK47 RELAY CABLE ASM						1	
5		GPK470010AB		3-PEDAL ASM.						1	
6		40032512		INT_PCB_ASM.						1	
7		40032506		X_SENSOR_CABLE_ASM.						1	
8		HD00057000A		PHOTO SENSOR						1	
9		40032505		Y_SENSOR_ASM						1	
10	R	HD002040000	HD00203000A	SENSOR						1	1.00
11		40032507		PF_SENSOR_CABLE_ASM						1	
12		HD00057000A		PHOTO SENSOR						1	
13		40032508		TH_SENSOR_ASM.						1	
14	D	40029633		SAFETY SW CORD ASM						1	
15		40032511		THB_SENSOR_CABLE_ASM						1	
16		40029632		STOP SW ASM						1	
17	R	40032510	40091368	IP_SENSOR_CABLE_ASM.						1	1.00
18		HD00057000A		PHOTO SENSOR						1	
19		40082758		SDC PCB A ASSY						1	
20		40005726		SDC-MAIN CORD P ASSY						1	
21		40005727		SDC-MAIN CORD S ASSY						1	
22		40005393		FLT-SDC CORD P ASS'Y						1	
23		40163025		REACTOR CORD ASSY	FOR JE					1	
24		40005394		FLT-SDC CORD S ASS'Y						1	
25		40000056		FLT-T PCB A ASS'Y	FOR 3-PH-ASE/1-PHASE					1	
26		40162838		FLT-CE PCB A ASSY	FOR JE, GENERAL EXPORT					1	
27		40081602		POWER SWITCH ASM						1	
28		40086465		POWER CORD 3P ASSY	FOR 3-PHASE					1	
29		40086466		POWER CORD JE ASSY	FOR JE					1	
30		40086467		POWER CORD 1P ASSY	FOR 1-PHASE					1	
31		40086468		POWER CABLE 1P PLUG ASSY	FOR 1-PH-ASE(100V)					1	
32		40086469		POWER CABLE 3P ASSY	FOR 3-PH-ASE(200~220V)					1	
33		40086470		POWER CABLE 1P ASSY	FOR JE, GENERAL EXPORT					1	
34		40005401		FAN MOTOR ASS'Y						1	
35		40005712		EARTH CODE ASM						1	
36		40052937		550W_SERVO_MOTOR						1	
37		40081601		AIR RELAY CABLE ASM						1	
38		40048529		VALVE RERAY COAD ASM						1	
39		40030951		FILTER_REGULATOR_ASM.						1	
40		40125156		TAPE PANEL CABLE ASM						1	
41		40086485		IP-420F PANEL ASSY						1	
42		40073660		AT SOLENOID						1	
43		40086363		WIPER_ASM						1	
44		40178385		TH MOTOR CABLE ASM CE	FOR JE					1	

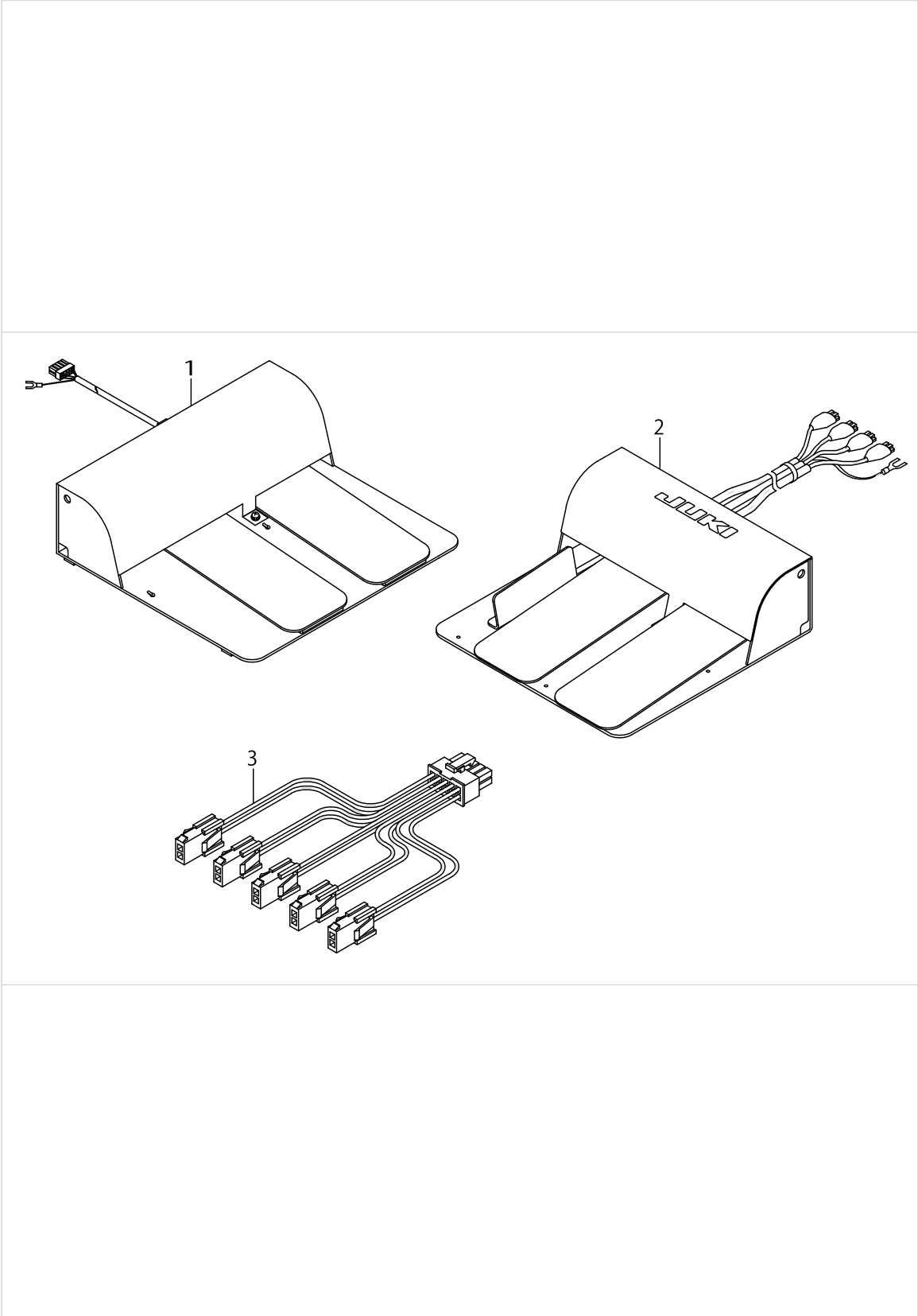
WIRING DIAGRAM



WIRING DIAGRAM

No.	Supply Code	Parts No.	Replacement	Parts name	Remarks	Choice	Step	Level	Cons	Qty	Rep. QTY
45		40163061		AIR RELAY CABLE ASM	FOR JE					1	
46		40163063		EARTH CODE ASM	FOR JE					1	
47		40179140		TH MOTOR CABLE ASM						1	
48		40085033		STEPPING MOTOR						1	
49		40083856		X MOTOR CABLE ASM						1	
50		40083861		X ENCODER CABLE ASM						1	
51		40103969		ENCODER MOTOR ASM.(IP)						1	
52		40083857		Y MOTOR CABLE ASM						1	
53		40083862		Y ENCODER CABLE ASM						1	
54		40103969		ENCODER MOTOR ASM.(IP)						1	
55		40083858		TT MOTOR CABLE ASM						1	
56		40083863		TT ENCODER CABLE ASM						1	
57		40103968		ENCODER MOTOR ASM.(TC)						1	
58		40083859		IP MOTOR CABLE ASM						1	
59		40083864		IP ENCODER CABLE ASM						1	
60		40102213		ENCODER MOTOR ASM						1	
61		40163020		X MOTOR CABLE ASM	FOR JE					1	
62		40163021		Y MOTOR CABLE ASM	FOR JE					1	
63		40163022		TT MOTOR CABLE ASM	FOR JE					1	
64		40163023		IP MOTOR CABLE ASM	FOR JE					1	

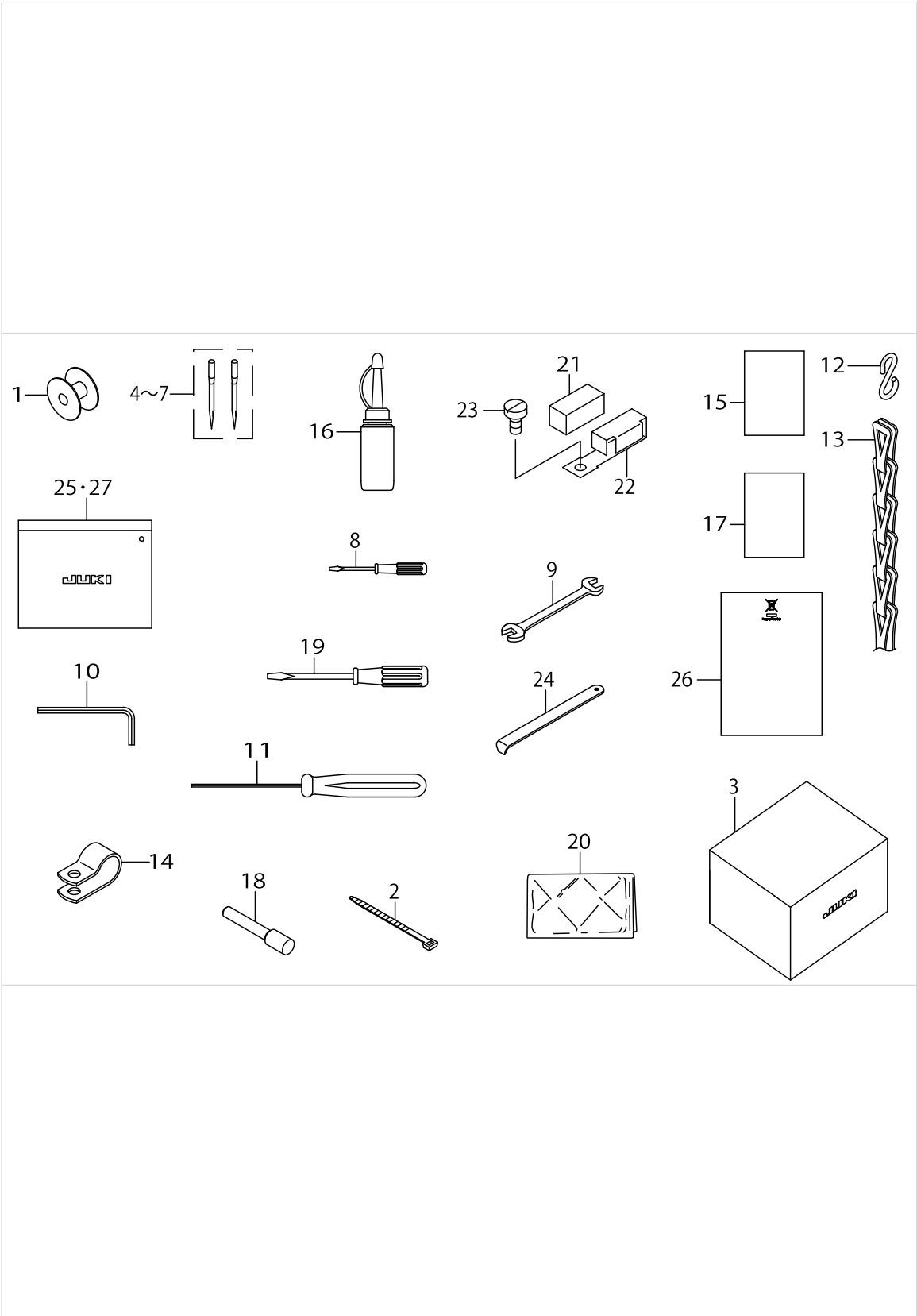
PEDAL COMPONENTS



PEDAL COMPONENTS

No.	Supply Code	Parts No.	Replacement	Parts name	Remarks	Choice	Step	Level	Cons	Qty	Rep. QTY
1		40033831		PK78 PEDAL SWITCH ASM.	TYPE S					1	
2		GPK470010AB		3-PEDAL ASM.	TYPE L					1	
3		40033875		PK47 RELAY CABLE ASM.	TYPE L					1	

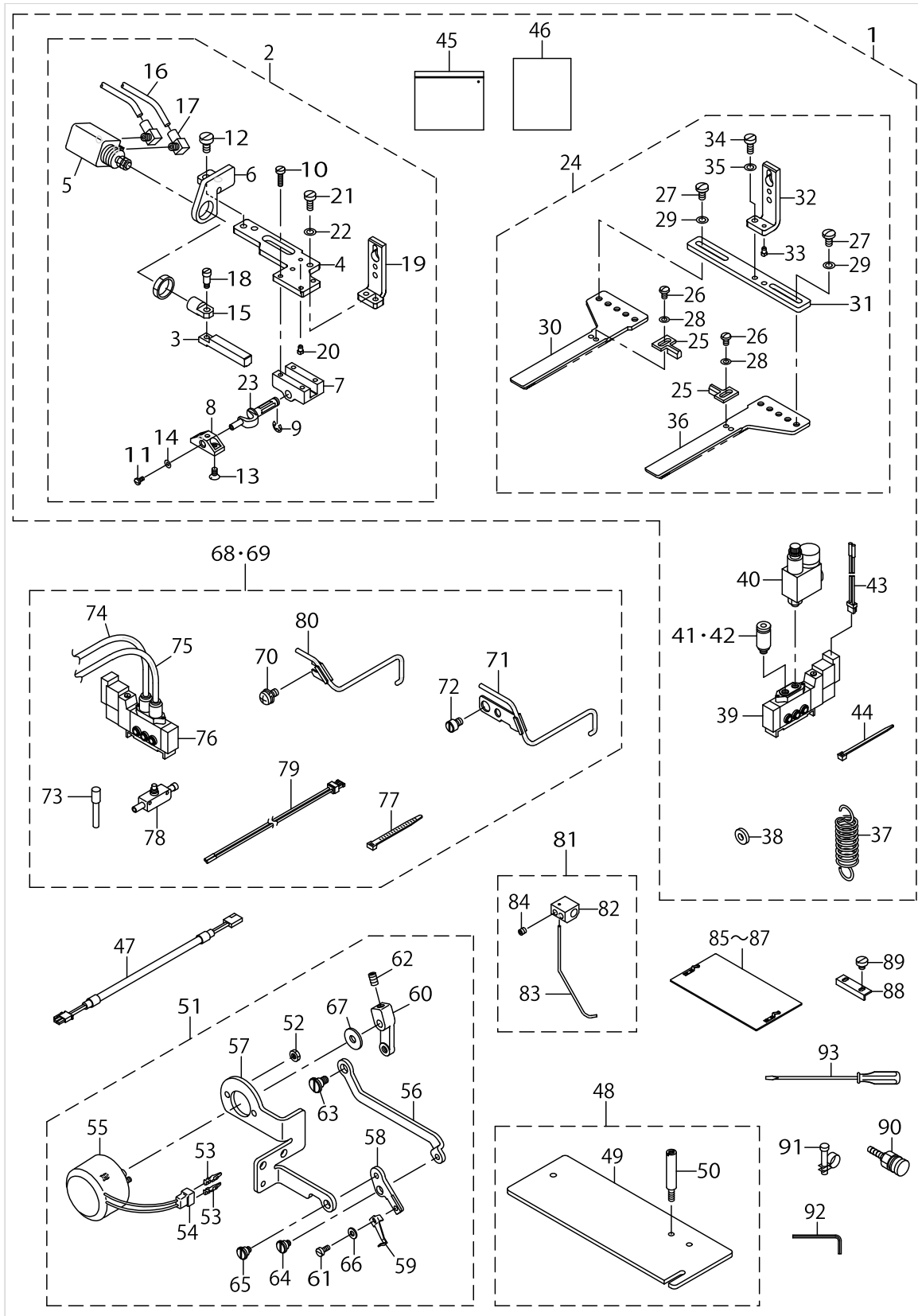
ACCESSORIE PARTS COMPONENTS



ACCESSORIE PARTS COMPONENTS

No.	Supply Code	Parts No.	Replacement	Parts name	Remarks	Choice	Step	Level	Cons	Qty	Rep. QTY
1		B1806210D00		BOBBIN					☆	1	
2		EA9500B0100		CABLE BAND	FOR TYPE L					1	
3		40048664		HEAD_COVER	FOR 1510,2210					1	
4	R	MDP500B1402	MDP500B1400	NEEDLE DPX5#14-2	TYPE S (FOR ST,G)				☆	1	1.00
5	R	MDP170B1802	MDP170B1800	NEEDLE DPZ17#18-2	TYPE H (FOR ST,G)				☆	1	1.00
6		MC200501002		NEEDLE 134 #100-2	TYPE S (FOR JE)				☆	1	
7		MC372001102		NEEDLE SY3355 #110-2	TYPE H (FOR JE)				☆	1	
8		22933204		SCREW DRIVER SMALL						1	
9		B9113012000		WRENCH (9X10)						1	
10		B9140372000		HEXAGONAL WRENCH SMALL						1	
11		40032763		HEXAGONAL_DRIVER(1.5)						1	
12		13160304		S SHAPED HOOK	TYPE S					2	
13		26037903		CHAIN	TYPE S					1	
14		HX00150000D		CABLE CLIP	FOR TYPE L					1	
15		29186403		EC DECLARATION	FOR JE					1	
16		B91212200A0		OILER (CONTAINING NO.2 OIL)						1	
17		40088051		PARTS BOOK AMS-210EN						1	
18		PX500014000		PLUG	FOR TYPE L					2	
19		22933105		SCREW DRIVER MIDDLE						1	
20		26234005		VINYL COVER	FOR 1306					1	
21		B1131528000		FELT						1	
22		10102200		THREAD GUIDE F						1	
23		SM6040860TP		SCREW M4 L=8						1	
24		B9101490000		DRIVER						1	
25		22932800		ACCESSORIE BAG						1	
26		CM600100201		WEEE INFORMATION SHEET	FOR JE					1	
27		22932800		ACCESSORIE BAG	FOR TYPE L					1	

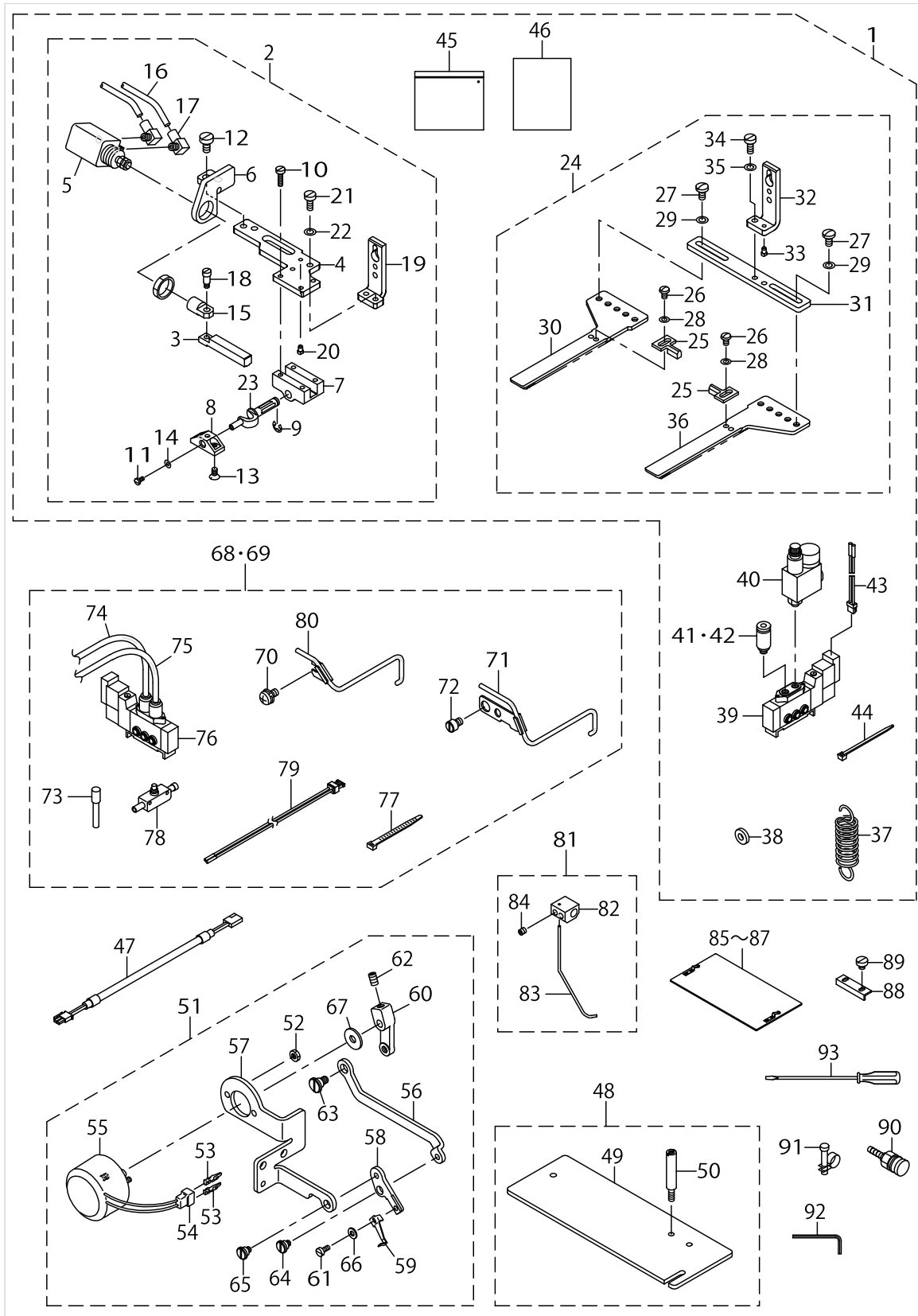
OPTIONAL PART COMPONENTS (1)



OPTIONAL PART COMPONENTS (1)

No.	Supply Code	Parts No.	Replacement	Parts name	Remarks	Choice	Step	Level	Cons	Qty	Rep. QTY
1		40092951		FU-07	FOR 1306					1	
2		40089686		FU INTERMEDIATE PRESSER ASM.	FOR 1306			*		1	
3		GFU01002000		INVERTING LAC				*		1	
4		40089688		FU INTERMEDIATE PRESSER PLATE				*		1	
5		PA1600801A0		AIR CYLINDER				*		1	
6		GFU01006000		TURN CYLINDER BRACKET				*		1	
7		B4303210000		TURN AROUND CRANK BEARING				*		1	
8		B4314210000		INTERMEDIATE PRESSER BASE				*		1	
9		RE0400000K0		E-RING 4				*		1	
10		SS6081210SP		SCREW 1/8-44 L=12				*		4	
11		SS7060610SP		SCREW 3/32-56 L=5.5				*		1	
12		SS6120940SP		SCREW 3/16-28 L=9				*		2	
13		SS1090750SP		SCREW 9/64-40 L=7				*		2	
14		WP0250516SD		WASHER 2.5X6X0.5				*		1	
15		B4306220000		KNUCKLE				*		1	
16		BT0400251EB		URETHANE HOSE BLACK				*		1.3	
17		PJ046052503		HOSE ELBOW				*		2	
18		SD0460703TP		HINGE SCREW D=4.6 H=7				*		1	
19		40089687		FU INTERMEDIATE PRESSER LEFT				*		1	
20		B1816280000		GUIDE PIN				*		1	
21		SM6041000SP		SCREW M4 L=10				*		1	
22		WP0480856SP		WASHER 4.8X8.4X0.8				*		1	
23		GFU01001000		TURN AROUND CRANK SHAFT				*		1	
24		40089689		FU OUTER PRESSER ASM.	FOR 1306			*		1	
25		D255421XX00		COMPENSATING FOOT				*		2	
26		SS5090610SP		SCREW 9/64-40 L=6				*		2	
27		SS7110840SP		SCREW 11/64-40 L=7.8				*		4	
28		WP0371026SD		WASHER 3.7X7X1				*		2	
29		WP0480856SP		WASHER 4.8X8.4X0.8				*		4	
30		D255121XX00		WALKING FOOT (A)				*		1	
31		40089691		FU OUTER PRESSER PLATE				*		1	
32		40089690		FU OUTER PRESSER RIGHT				*		1	
33		B1816280000		GUIDE PIN				*		1	
34		SM6040800SP		SCREW				*		1	
35		WP0480856SP		WASHER 4.8X8.4X0.8				*		1	
36		D255221XX00		WALKING FOOT (B)				*		1	
37		GFU01007000		SPRING	FOR TYPE S			*		1	
38		WP0502616SD		WASHER				*		1	
39		PV150209100		SOLENOID VALVE				*		1	
40		PF0205030A0		REGULATOR	FOR TYPE H			*		1	
41		PJ301040505		HALF UNION	FOR TYPE S			*		2	
42		PJ301040505		HALF UNION	FOR TYPE H			*		1	
43		40035324		SOLENOID VALVE CONNECTER ASM				*		1	
44		EA9500B0100		CABLE BAND				*		3	
45		22932800		ACCESSORIE BAG				*		1	

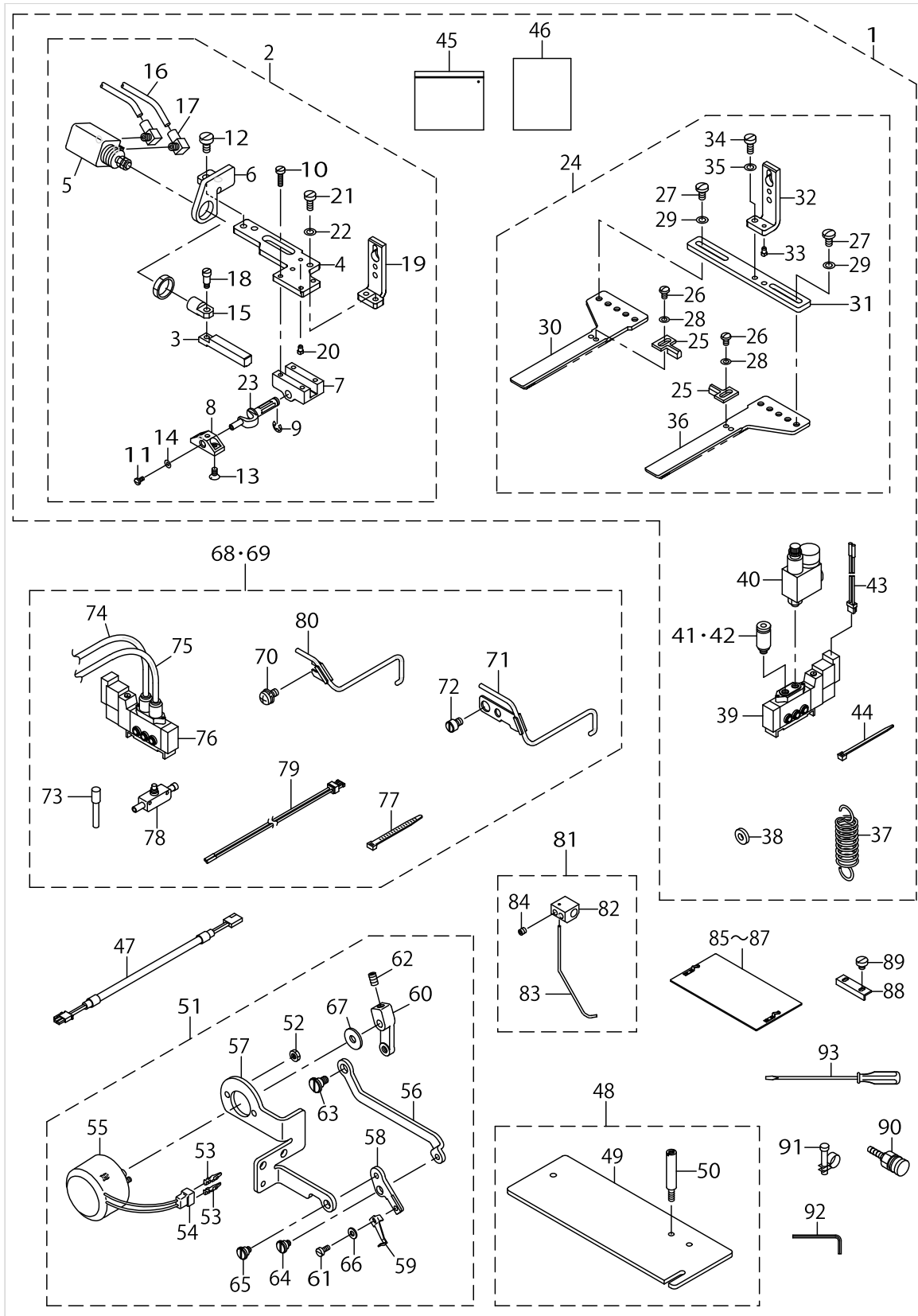
OPTIONAL PART COMPONENTS (1)



OPTIONAL PART COMPONENTS (1)

No.	Supply Code	Parts No.	Replacement	Parts name	Remarks	Choice	Step	Level	Cons	Qty	Rep. QTY
46		40092950		FU-07 INSTRUCTION MANUAL/PARTS				*		1	
47		40058422		WIPER RELAY CABLE ASM.	WITH USE OF No.51(40035867)					1	
48	R	40036526	40036525	AMS-210E(MU12)SET		A				1	1.00
48	R	40036526	40036524	AMS-210E(MU12)SET		A				1	1.00
49		40036524		HOLDER PLATE				*		1	
50		40036525		PIPE HOLDER STUD				*		1	
51		40035867		WIPER ASM.						1	
52		NM6040003SC		NUT M4				*		2	
53		HP000200200		PIN-SHAPE TERMINAL MALE				*		2	
54		HK018800020		2-POLE PLUG				*		1	
55		B2101220000		WIPER SOLENOID				*		1	
56		40036229		WIPER CONNECTING PLATE				*		1	
57		40035866		WIPER_BASE				*		1	
58		40036230		WIPER INSTALLING PLATE				*		1	
59		B2107210000		WIPER				*		1	
60		40036392		WIPER ARM				*		1	
61		SM67506C0TP		SCREW M3.5 L=6				*		1	
62		SM8050812TP		SCREW M5X8				*		1	
63		SD0700406TP		SHOULDER SCREW				*		1	
64		SD0640327TP		SHOULDER SCREW D=6.35 H=3.2				*		1	
65		SD0640327TP		SHOULDER SCREW D=6.35 H=3.2				*		1	
66		WP0371016SD		WASHER 3.7X8X1				*		1	
67		WP0561616SC		WASHER 5.6X16X1.6				*		1	
68		40035692		NEEDLE COOLER ASM.	FOR SIDE WIPER(40035867)					1	
69		40092717		NEEDLE_COOLER_ASM						1	
70		SL4051091SC		SCREW M5X0.8 L=10	FOR SIDE WIPER(40035867)			*		1	
71		40092688		NEEDLE_COOLER_COMPL				*		1	
72		40010457		WIPER_STOPPER				*		1	
73		PX500014000		PLUG				*		1	
74		BT0400251EB		URETHANE HOSE BLACK				*		0.7	
75		BT0400251EB		URETHANE HOSE BLACK				*		0.3	
76		PV150209000		5 PORT SOLENOID VALVE				*		1	
77		HX002330000		CLIP				*		3	
78		PC012401000		SPEED CONTROLLER				*		1	
79		40035324		SOLENOID VALVE CONNECTER ASM				*		1	
80		40035694		NEEDLE COOLER COMPL.	FOR SIDE WIPER(40035867)			*		1	
81		40098302		UNDER_WIPER_SET						1	
82		40097552		WIPER_SHAFT_CAP				*		1	
83		B2107210D0B		WIPER				*		1	
84		SM8040412TP		SET SCREW M4 L=4				*		2	
85		B2557210DA0		PLASTIC BLANK PLATE ASM.	FOR 1306					2	
86		40036479		PLASTIC_BLANK_PLATE_ASM	FOR 1510					2	
87		40039543		PLASTIC_BLANK_PLATE_ASM.	FOR 2210					2	
88		40086361		PLASTIC_PLATE_STOPPER	EXCEPT 1-306 TYPE L					2	

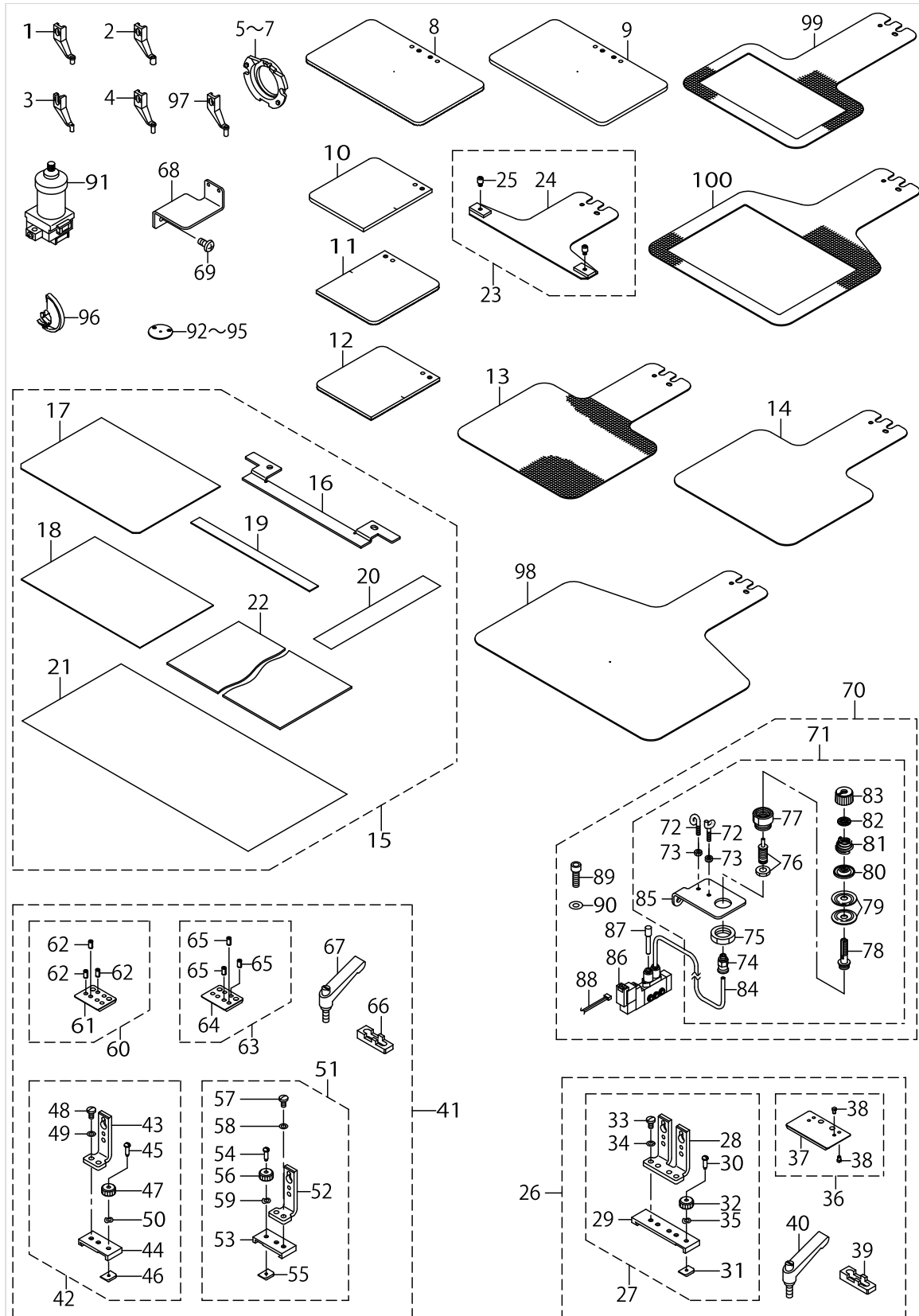
OPTIONAL PART COMPONENTS (1)



OPTIONAL PART COMPONENTS (1)

No.	Supply Code	Parts No.	Replacement	Parts name	Remarks	Choice	Step	Level	Cons	Qty	Rep. QTY
89		SM6040450TP		SCREW M4 L=4	EXCEPT 1-306 TYPE L					1	
90		PJ309520001		SOCKET	FOR TYPE L					1	
91		PB000010000		HOSE BAND	FOR TYPE L					1	
92		B9141372000		HEXAGONAL WRENCH LARGE						1	
93		22933006		SCREW DRIVER LARGE						1	

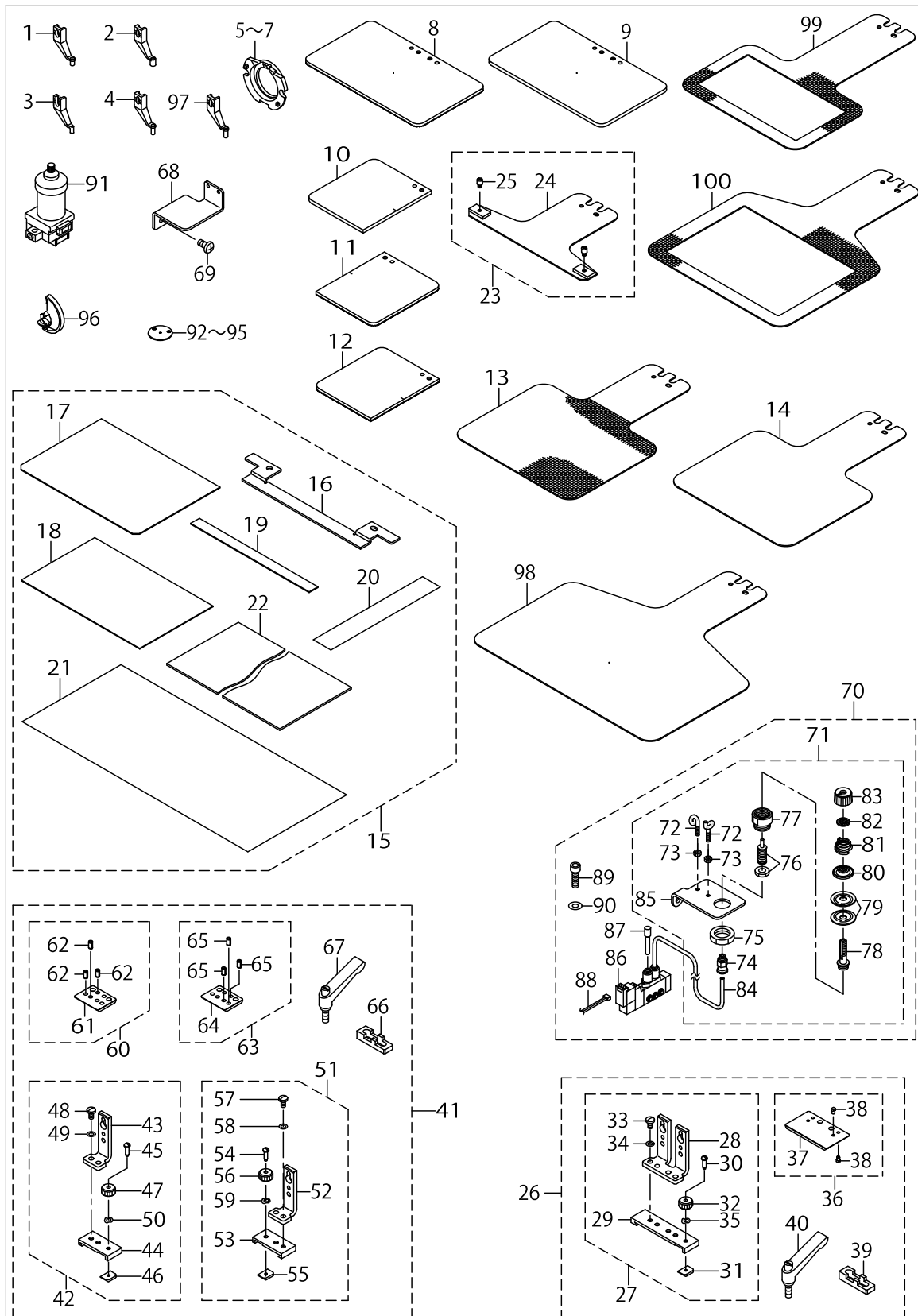
OPTIONAL PART COMPONENTS (2)



OPTIONAL PART COMPONENTS (2)

No.	Supply Code	Parts No.	Replacement	Parts name	Remarks	Choice	Step	Level	Cons	Qty	Rep. QTY
1		B1601210D0BA		INTERMEDIATE PRESSER B						1	
2		B1601210D0CA		INTERMEDIATE PRESSER C						1	
3		B1601210D0E		INNER PRESSER E						1	
4		B1601210D0FA		INTERMEDIATE PRESSER F						1	
5		14103253		INNER HOOK PRESSER ASM. A						1	
6		14103659		SHUTTLE RACE RING ASM. C						1	
7		B1817210DAD		SHUTTLE RACE RING ASM. D						1	
8		40035606		FEEDING FRAME BLANK						1	
9		40035607		FEEDING FRAME BLANK						1	
10		40035608		FEEDING FRAME BLANK						1	
11		40035609		FEEDING FRAME BLANK R						1	
12		40035610		FEEDING FRAME BLANK L						1	
13		B2556210D0A		LOWERPLATEBLANK	FOR 1306					1	
14		B2556210D0B		LOWERPLATEBLANK	FOR 1306					1	
15		B2594210DA0		CASSETTE PRESSER ASM.						1	
16		B2594210D00		CASSETTE PRESSER BASE PLATE				*		1	
17		B2598210D00		CASSETTE PRESSE- R LOWER PLATE				*		1	
18		B2599210D00		CASSETTE PRESSE- R UPPER PLATE				*		1	
19		B2589210D00		CASSETTE PRESSER SPACER				*		1	
20		B2572229000		FILAMENT TAPE				*		1	
21		B2646215000		TAPE				*		1	
22		B2587210000		MATERIAL PLATE A				*		1	
23		B2593210DA0		CASSETTE HOLDER FIX PLATE ASM.						1	
24		B2593210D00		CASSETTE HOLDER FIXING PLATE				*		1	
25		B2560372000		BUTTON CLAMP STOP PIN				*		2	
26		40089692		ONE-TOUCH CLAMP ASM.	FOR EHS,ESS					1	
27		40089693		PRESSER PLATE ASM.				*		1	
28		40089694		PRESSER PLATE				*		1	
29		B2587210D00		SLIDER HOLDING				*		1	
30		B5038206000		SET SC				*		1	
31		B5039206000		SET PLATE				*		1	
32		16108300		NUT B				*		1	
33		SS7110840SP		SCREW 11/64-40 L=7.8				*		2	
34		WP0480856SP		WASHER 4.8X8.4X0.8				*		2	
35		WZ0430200KH		WAVED WASHER				*		1	
36		B2595210DA0		SLIDER ASM.				*		1	
37		B2595210D00		SLIDER				*		1	
38		B1816280000		GUIDE PIN				*		4	
39		B2597210D00		CLAMP PLATE				*		1	
40		B5115210000		FEEDING FRAME CLAMP LEVER				*		2	
41		40089695		ONE-TOUCH CLAMP ASM.	FOR EHL,ESL					1	
42		40089696		PRESSER PLATE RIGHT ASM.				*		1	
43		40089697		PRESSER PLATE RIGHT				*		1	
44		B2588210D00		SLIDER HOLDING				*		1	
45		B5038206000		SET SC				*		1	

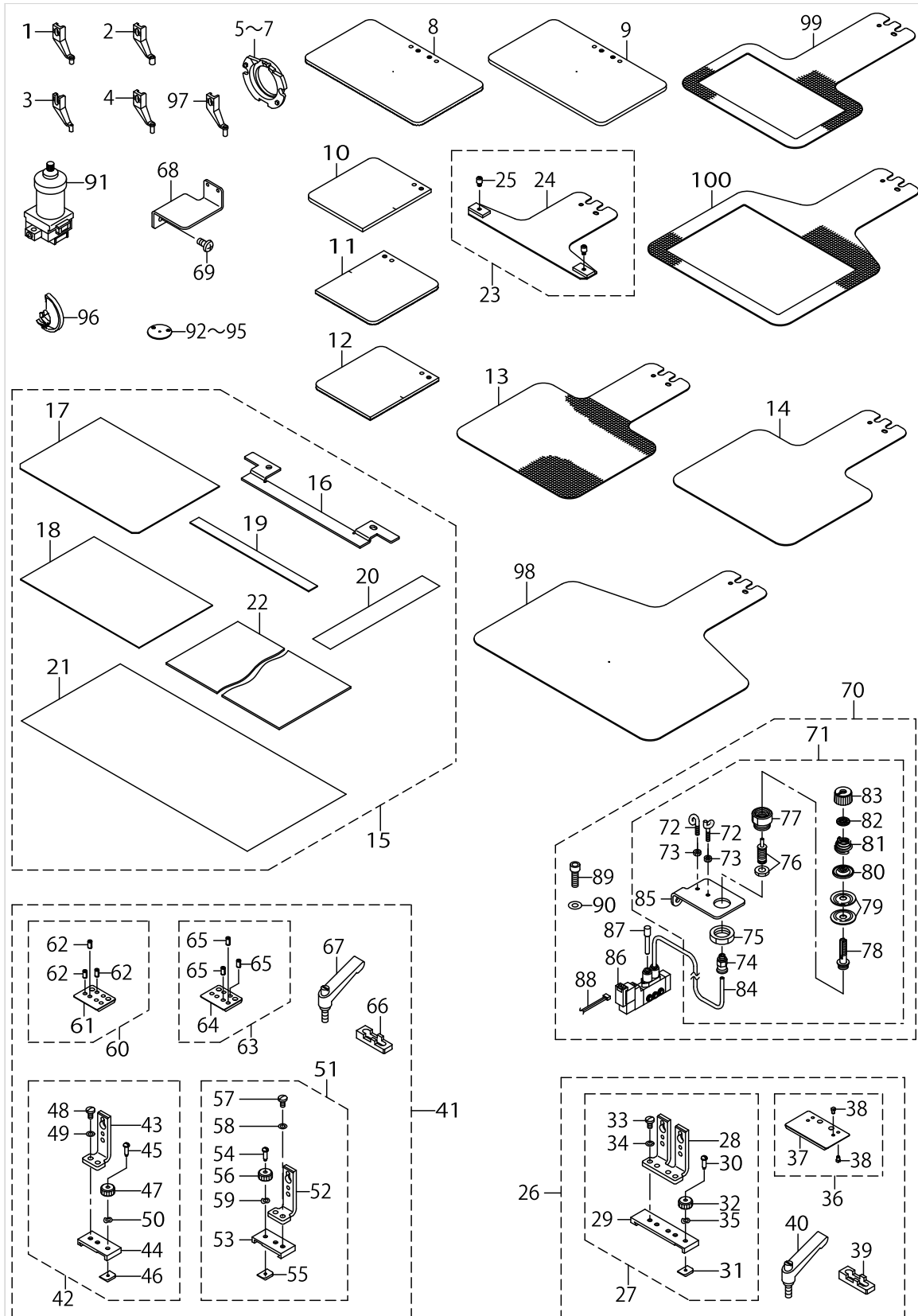
OPTIONAL PART COMPONENTS (2)



OPTIONAL PART COMPONENTS (2)

No.	Supply Code	Parts No.	Replacement	Parts name	Remarks	Choice	Step	Level	Cons	Qty	Rep. QTY
46		B5039206000		SET PLATE				*		1	
47		16108300		NUT B				*		1	
48		SS7110840SP		SCREW 11/64-40 L=7.8				*		2	
49		WP0480856SP		WASHER 4.8X8.4X0.8				*		2	
50		WZ0430200KH		WAVED WASHER				*		1	
51		40089698		PRESSER PLATE LEFT ASM.				*		1	
52		40089699		PRESSER PLATE LEFT				*		1	
53		B2588210D00		SLIDER HOLDING				*		1	
54		B5038206000		SET SC				*		1	
55		B5039206000		SET PLATE				*		1	
56		16108300		NUT B				*		1	
57		SS7110840SP		SCREW 11/64-40 L=7.8				*		2	
58		WP0480856SP		WASHER 4.8X8.4X0.8				*		2	
59		WZ0430200KH		WAVED WASHER				*		1	
60		B2596210DA0		SLIDER ASM. RIGHT				*		1	
61		B2596210D00		SLIDER				*		1	
62		PS0400082KP		SPRING PIN				*		3	
63		B2596210DAA		SLIDER ASM. LEFT				*		1	
64		B2596210D00		SLIDER				*		1	
65		PS0400082KP		SPRING PIN				*		3	
66		B2597210D00		CLAMP PLATE				*		1	
67		B5115210000		FEEDING FRAME CLAMP LEVER				*		2	
68		B2535210000		TANK BASE						1	
69		SM4040855SP		SCREW						2	
70		40072310		THREAD TENTION NO.3 ASSY						1	
71		40040560		THREAD TENSION NO.3 ASM.				*		1	
72		B3114771000		THREAD GUIDE				*		2	
73		NS6090310SP		NUT 9/64-40				*		2	
74		PJ301040502		HALF UNION 4XM5				*		1	
75		NM6160511SE		NUT M16X1.5				*		1	
76		PA0600504A0		AIR CYLINDER				*		1	
77		G2302309000		THREAD TENSION ROD BASE				*		1	
78		G2301309000		THREAD TENSION ROD				*		1	
79	R	B3126012000	22921506	THREAD TENSION DISK				*		2	1.00
80		B3132552000		THREAD TENSION DISK PRESSER				*		1	
81		B3121352000		TENSION SPRING				*		1	
82		B3120125000		ROTATING STOPPER				*		1	
83		11072204		TENSION NUT				*		1	
84		BT0400251EB		URETHANE HOSE BLACK				*		2	
85		D4012D10N0H		THREAD TENSION NO.3 BASE				*		1	
86		PV150209000		5 PORT SOLENOID VALVE				*		1	
87		PX500014000		PLUG				*		1	
88		40035324		SOLENOID VALVE CONNECTER ASM				*		1	
89		SM6062002TP		SCREW M6 L=20				*		1	
90		WP0612516SD		WASHER 6.1X15.2X2.5				*		1	
91	R	B3532223C00	40097301	SILICON TANK						1	1.00

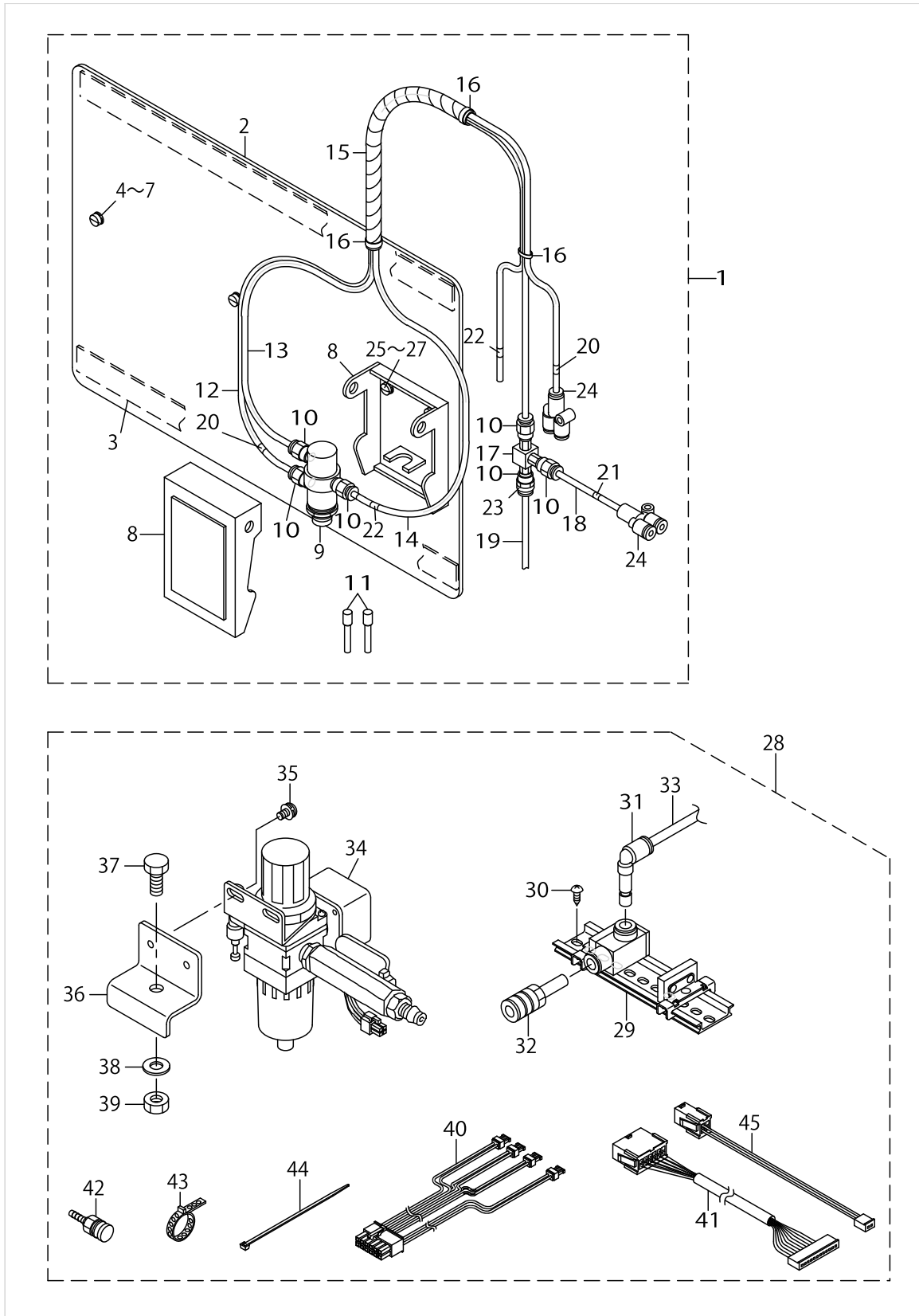
OPTIONAL PART COMPONENTS (2)



OPTIONAL PART COMPONENTS (2)

No.	Supply Code	Parts No.	Replacement	Parts name	Remarks	Choice	Step	Level	Cons	Qty	Rep. QTY
92		B242621000C		NEEDLE HOLE GUIDE D=1.6						1	
93		B242621000F		NEEDLE HOLE GUIDE D=3.0						1	
94		B242621000G		NEEDLE HOLE GUIDE D=3						1	
95		B242621000H		NEEDLE HOLE GUIDE D=3.0						1	
96		40014965		SHUTTLE(H)						1	
97		40098294		INNER_PRESSER						1	
98		40099714		LOWER_PLATE_BLANK	FOR 2210					1	
99		B2552210D00		LOWER PLATE	FOR 1306					1	
100		40036477		LOWER_PLATE	FOR 1510					1	

OPTIONAL PART COMPONENTS (3)



OPTIONAL PART COMPONENTS (3)

No.	Supply Code	Parts No.	Replacement	Parts name	Remarks	Choice	Step	Level	Cons	Qty	Rep. QTY
1		40042352		MECHANICAL VALVE UNIT	TYPE S					1	
2		D8001D15A0Y		PEDAL BASE				*		1	
3		D8002D15A0Y		PEDAL CUSHION				*		2	
4		SS6111210SP		SCREW11/64-40L=12				*		2	
5		WP0450801SD		WASHER 4.5X10X0.8				*		2	
6		WS0451040KP		SPRING WASHER 4.5X8.5X1				*		2	
7		WP0553216SD		WASHER				*		2	
8		PX020002000		ACTUATOR				*		1	
9		PV010502000		AIR VALVE				*		1	
10		PJ301040501		HALF UNION M5 D=4				*		6	
11		PX500014000		PLUG				*		2	
12		BT0400251EB		URETHANE HOSE BLACK				*		1.9	
13		BT0400251EB		URETHANE HOSE BLACK				*		1.8	
14		BT0400251EB		URETHANE HOSE BLACK				*		1.9	
15		HX00314000A		SPIRAL TUBE				*		0.6	
16		EA9500B0100		CABLE BAND				*		3	
17		GEP01013000		VALVE				*		1	
18		BT0400251EB		URETHANE HOSE BLACK				*		0.1	
19		BT0400251EB		URETHANE HOSE BLACK				*		0.1	
20		18035204		WIRE MARK (3)				*		2	
21		18035303		WIRE MARK (4)				*		1	
22		18035600		WIRE MARK (7)				*		2	
23		18035709		WIRE MARK (8)				*		1	
24		PJ308040002		QUICK COUPLING				*		2	
25		WP0450801SD		WASHER 4.5X10X0.8				*		2	
26		WS0451040KP		SPRING WASHER 4.5X8.5X1				*		2	
27		SS7111120TP		SCREW				*		2	
28		40089848		AIR UNIT ASM.	TYPE S					1	
29		PV915005000		SOLENOID VALVE I- NSTALLING BASE				*		1	
30		SK3412001SE		WOOD SCREW D=4.1 L=20				*		2	
31		PJ304060001		ELBOW				*		1	
32		PX050003000		SILENCER				*		1	
33		BT0600401EB		TUBE				*		1.3	
34		40030951		FILTER_REGULATOR_ASM.				*		1	
35		SL4051091SC		SCREW M5X0.8 L=10				*		2	
36		40023662		FILTER INSTALLING PLATE				*		1	
37		SL9082093SE		SCREW				*		1	
38		WP0871602SE		WASHER 8.7X18X1.6				*		1	
39		NM6080721SE		NUT M8				*		1	
40		40048529		VALVE RELAY CORD ASM				*		1	
41		40081601		AIR RELAY CABLE ASM				*		1	
42		PJ309520001		SOCKET				*		1	
43		PB000010000		HOSE BAND				*		1	
44		EA9500B0100		CABLE BAND				*		1	
45		40093109		AIR SW CABLE ASM				*		1	

LIST FOR INFORMATION OF CHANGE

As to the place changed, refer to the corresponding Rev.No.
When previous parts(Obsoleted part)and new parts(Added parts)are
not interchangeable with each other:
In this case,even obsoleted parts(D.)can be ordered with the
obsoleted part number,so select the parts with changed dates and
place your orders.

変更箇所は,該当Rev.No.版をご参照ください。
部品の互換性がない変更の場合は,削除された品番でも,ご注文できます。

40088051
No.1526-07 Rev.No.

*A:Added parts追加部品/D:Obsoleted parts削除部品/E:Erratum訂正

*	Rev. No.	Page 頁	Ref. No.	Parts No. 品番	*	Rev. No.	Page 頁	Ref. No.	Parts No. 品番
					A	07	14	72	400-78577
					A	07	14	73	400-78578

HOW TO MAKE USE OF THIS PARTS LIST

1.Explanation of codes

1)"*"mark.....means this part is changed from the previous parts book.

As to the details of the change, refer to the "List for information of change".

2)"#01".....refer to "Note" explanation at bottom of page.

2.Codes on the "Qty" column

- Each numeral indicates the number of parts required.
- "0.1" and "2.5" indicate the length (in meters) of the respective parts.

3.Parentheses mean that the corresponding part is a subpart that constructs an assembly part.

4.Dotted lines on the Figures indicate assembly parts.

5.As to the parts with marks of "☆"(consumable parts) and "◎"(optional parts)on the respective parts, it is recommended to prepare spares.

1."注記"欄の記号説明

1) "*"印.....前回のパーツブックに比較して今回変更された部品を意味します。

変更内容は、"変更情報リスト"を参照してください。

2) "#01".....ページ下の"注記"の説明を参照してください。

2.数量欄の数字は、個数を表し、0.1、2.5等の数値は、長さ（単位メートル）を表します。

3.数量欄の（ ）は、組部品を構成している子部品であることを意味します。

4.イラストページの-----枠は、組構成であることを意味します。

5.リストページの"☆"（消耗部品）、"◎"（オプション部品）の印がついた部品は、予備を準備しておくことをお奨めします。

NUMERICAL INDEX OF PARTS

PART NO	PAGE	REF NO.	PART NO	PAGE	REF NO.	PART NO	PAGE	REF NO.
10004109	6	3	22891006	16	73	23638208	12	67
10102200	82	22	22891204	14	28	23638406	12	68
10108009	14	22	22901409	16	62	26037903	82	13
10502300	2	35	22902506	2	4	26211904	2	12
11071701	20	46	22907505	20	45	26218602	38	31
11072204	92	83	22907554	20	44	26221101	10	30
11072402	6	33	22920508	2	16	26221200	10	29
11155108	60	37	22921506	38	29	26226001	24	42
11155157	60	36	22921605	38	46	26226209	28	35
11155207	60	38	22928808	38	28	26228809	30	56
11158300	60	32	22930309	66	14	26234005	82	20
11158409	60	5	22930358	66	1	26260109	6	5
11158516	60	10	22930408	66	10	26260208	6	6
11158607	60	6	22930507	66	9	26260307	6	7
11159001	60	17	22930556	66	15	26260406	6	8
11159506	60	27	22930705	66	7	26260505	6	9
11272408	50	19	22930804	66	5	26260604	6	10
13122403	20	23	22930903	66	4	26260703	6	11
13122452	20	22	22931000	66	3	26260802	6	12
13160304	82	12	22931109	66	2	26261206	6	16
13529607	32	26	22931307	66	11	26261305	6	17
13705108	2	21	22931406	66	8	26261503	6	18
13747001	30	59	22931505	28	38	26261602	6	19
138168M8	10	27	22932800	82	25·27	26261701	6	20
13817754	60	13	22932800	84	45	26501858	32	18
14103253	90	5~7	22933006	88	93	29186403	82	15
14103352	32	39	22933105	82	19	31262801	10	28
14103659	90	5~7	22933204	82	8	32002305	4	56
14103907	32	21	22955504	36	35	32002404	4	57
14104004	32	19	22955900	36	7	40000056	72	19·43
14113450	6	30	22956007	36	8	40000056	76	25·26
14113468	6	28	22956908	36	14	40000299	16	85
14118152	60	4	22957203	36	16	40003458	72	41
14118251	60	8	23517501	42	4~7	40003970	24	46
14191951	60	1·2	23517600	42	4~7	40005393	72	34
16108300	90	56	23517709	42	4~7	40005393	76	22·23
16108300	92	56	23517808	42	4~7	40005394	72	35
16992604	50	30	23604200	14	2	40005394	76	24
17007402	60	9	23604309	14	42	40005401	72	23
17845009	72	30	23610108	20	39	40005401	76	34
18035204	96	20	23630007	32	25	40005706	72	27
18035303	96	21	23631708	4	51	40005712	8	48
18035600	96	22	23631807	4	52	40005712	76	35·46
18035709	96	23	23631906	4	53	40005726	72	36
22687701	46	31	23638109	12	65	40005726	76	20

NUMERICAL INDEX OF PARTS

PART NO	PAGE	REF NO.	PART NO	PAGE	REF NO.	PART NO	PAGE	REF NO.
40005727	72	37	40010440	14	39	40023632	22	50
40005727	76	21	40010443	28	43	40023635	52	21
40006317	32	9	40010457	86	72	40023635	56	8
40006323	4	61	40010464	28	31	40023636	52	1
40006484	2	39	40010464	32	2	40023636	56	1
40006496	12	64	40010470	32	27	40023638	52	10
40006497	12	66	40010471	32	28	40023639	58	51
40006515	16	50	40010472	32	30	40023640	56	3
40006516	16	52	40010477	38	6	40023641	56	6
40006530	16	65	40010479	38	8	40023642	56	7
40006531	16	66	40010487	38	17	40023643	56	2
40006532	16	74	40010489	38	23	40023644	56	4
40006555	14	17	40010490	38	20	40023645	52	2
40006561	14	23	40010497	38	21	40023646	52	3
40006567	32	5	40010498	38	22	40023648	52	9
40006569	32	6	40010499	38	24	40023649	52	6
40006576	32	31	40010503	38	27	40023650	52	7
40006577	32	22	40010504	38	30	40023651	52	17
40006578	32	45	40010508	38	33	40023652	52	4
40006617	38	5	40010509	38	34	40023653	52	5
40006622	38	25	40010510	38	35	40023654	52	18
40006625	38	4	40010511	38	36	40023662	64	11
40006666	28	45	40010512	38	37	40023662	96	36
40006716	24	41	40010513	38	38	40023663	52	20
40006761	44	1	40010514	38	39	40023663	56	9
40006768	44	19	40010515	38	40	40023865	6	13
40006772	44	10	40010521	38	43	40023866	6	14
40006780	44	11	40010522	38	44	40023993	38	12
40006836	12	60	40010523	38	45	40023997	38	26
40006840	12	62	40010527	44	22	40024062	32	44
40009290	10	14	40010528	44	23	40024063	32	7
40010414	2	10	40010533	16	54	40024066	32	1
40010415	14	5	40011152	44	24	40024070	38	11
40010418	14	7	40011359	38	41	40024988	20	29
40010421	14	20	40012965	20	19	40024989	24	24
40010422	14	9	40013640	4	60	40024991	20	40
40010423	14	10	40013967	40	48	40024992	30	51
40010424	14	11	40014963	32	40	40024993	30	52
40010425	14	12	40014964	34	41-49	40024994	30	53
40010426	14	13	40014965	94	96	40024995	30	57
40010427	14	14	40015800	44	5	40024996	28	27
40010434	14	33	40023624	22	60	40024997	10	1
40010437	14	36	40023624	42	13	40024998	2	29
40010438	14	37	40023627	28	36	40024999	2	6
40010439	14	38	40023631	22	49	40025009	28	26

NUMERICAL INDEX OF PARTS

PART NO	PAGE	REF NO.	PART NO	PAGE	REF NO.	PART NO	PAGE	REF NO.
40025010	24	23	40029633	12	71	40032511	76	15
40025011	20	13	40029633	76	14	40032512	12	73
40025012	20	5	40029776	12	63	40032512	76	6
40025015	10	26	40030615	24	15	40032763	82	11
40025016	24	31	40030616	22	62	40033145	46	4~6
40025017	10	4	40030617	20	4	40033146	46	8
40025018	10	6·7	40030619	24	17	40033147	46	15
40025021	10	12	40030620	20	31	40033148	46	9·10
40025023	10	8	40030621	22	55	40033149	46	12
40025031	10	22	40030623	22	47	40033150	46	17~19
40025414	2	14	40030625	24	1	40033153	46	20
40025415	20	8	40030626	24	2	40033190	44	34
40025417	14	8	40030627	24	3	40033191	44	28
40025418	24	33	40030628	22	63~65	40033831	76	3
40025423	24	8	40030629	22	63~65	40033831	80	1
40025426	24	27	40030630	22	63~65	40033875	76	4
40025427	20	2	40030828	2	8	40033875	80	3
40025428	20	11	40030829	6	15	40034922	28	37
40025429	20	26	40030932	42	16~18	40035024	70	47
40025431	20	1	40030933	42	16~18	40035324	84	79
40025436	28	33	40030934	42	24	40035324	86	79
40025439	50	31	40030935	42	15	40035324	92	88
40025440	36	38	40030936	42	1	40035606	90	8
40026817	24	4	40030940	44	26	40035607	90	9
40026818	14	24	40030942	44	17	40035608	90	10
40026819	24	9	40030943	44	15	40035609	90	11
40026829	12	56	40030945	46	4~6	40035610	90	12
40026830	12	57	40030946	46	13	40035692	86	68·69
40026831	12	58	40030949	60	35	40035694	86	80
40026882	16	57	40030950	64	8	40035866	86	57
40026884	16	60·61	40030951	64	9	40035867	86	51
40026979	2	3	40030951	76	39	40036110	4	62
40027870	24	37	40030951	96	34	40036117	32	37
40027971	2	37	40030956	36	6	40036118	34	47
40028338	6	4	40031336	4	59	40036229	86	56
40028834	4	48	40032345	38	14	40036230	86	58
40028835	4	49	40032483	24	6	40036392	86	60
40028877	2	28	40032505	50	43	40036457	10	6·7
40029411	38	32	40032505	76	9	40036459	10	9·77
40029412	38	42	40032506	76	7	40036461	10	13·76
40029419	20	36	40032507	76	11	40036464	10	23
40029420	24	5	40032508	44	33	40036465	12	49
40029631	4	54	40032508	76	13	40036467	12	50
40029632	4	50	40032510	76	17	40036468	10	10
40029632	76	16	40032511	2	45	40036470	28	18~20

NUMERICAL INDEX OF PARTS

PART NO	PAGE	REF NO.	PART NO	PAGE	REF NO.	PART NO	PAGE	REF NO.
40036475	50	12·13	40068834	20	28	40077990	46	30
40036477	94	100	40068835	20	7	40077991	46	42
40036479	86	85~87	40071897	52	11	40077992	46	44
40036524	86	49	40071897	58	58	40077993	48	48
40036525	86	50	40071898	56	30	40077994	50	37
40036526	86	48	40072009	32	4	40077995	46	46
40037500	36	32	40072211	28	23	40077997	46	45
40037501	36	33	40072228	42	10	40077998	46	16
40038255	60	1·2	40072310	92	70	40077999	46	1~3
40038562	46	4~6	40073085	42	16~18	40078000	46	1~3
40038564	50	12·13	40073659	74	53	40078001	46	1~3
40039532	12	9·77	40073659	76	2	40078057	50	14
40039534	12	13·76	40073660	38	1	40078058	50	45
40039537	28	18~20	40073660	76	42	40078060	50	3·4
40039538	28	8~ 10·72	40075878	28	12~ 14·73	40078061	50	3·4
40039539	28	12~ 14·73	40075962	64	6	40078062	50	16
40039541	56	26	40076232	44	16	40078064	50	10
40039543	86	85~87	40076233	44	3	40078079	16	83
40039546	10	37	40076235	44	4	40078083	16	75
40039547	10	38	40076236	44	12	40078088	16	71
40040256	42	8	40076237	44	9	40078106	16	70
40040560	92	71	40076239	44	14	40078107	16	87
40042352	96	1	40076736	64	12	40078113	22	59
40043321	24	44	40076738	64	14	40078133	20	43
40044053	14	46	40077604	16	55	40078135	16	77
40048529	76	38	40077605	16	56	40078160	18	89
40048529	96	40	40077923	28	1	40078163	68	2
40048664	82	3	40077924	28	3	40078168	68	9
40050509	2	46	40077925	22	58	40078382	16	64
40051640	74	58·59	40077927	28	11·17	40078577	28	8~ 10·72
40051987	2	41	40077928	28	6	40078577	30	8~ 10·72
40052852	52	43	40077929	28	7	40078578	30	12~ 14·73
40052852	56	35	40077930	28	15	40080799	68	3
40052854	54	45	40077931	28	30	40080800	68	4
40052854	56	38	40077932	38	15	40081561	72	1~3
40052937	14	40	40077933	24	7	40081562	72	1~3
40052937	76	36	40077935	28	18~20	40081563	72	1~3
40055355	72	4	40077936	28	11·17	40081601	76	37·45
40055357	72	6	40077937	24	36	40081601	96	41
40055366	72	5	40077938	24	19	40081602	68	16
40057278	74	58·59	40077939	26	47	40081602	76	27
40058422	86	47	40077945	2	1	40081603	68	18
40061991	32	41·49	40077984	50	9	40082758	72	17
40068833	20	14	40077985	50	6			

NUMERICAL INDEX OF PARTS

PART NO	PAGE	REF NO.	PART NO	PAGE	REF NO.	PART NO	PAGE	REF NO.
40082758	76	19	40086465	72	32·44·45	40102213	24	20
40083666	68	7	40086465	76	28~30	40102213	78	60
40083668	68	6	40086466	72	32·44·45	40103968	28	22
40083740	10	33	40086466	76	28~30	40103968	78	57
40083741	10	34·36	40086467	74	32·44·45	40103969	50	2
40083742	10	34·36	40086467	76	28~30	40103969	78	54
40083856	78	49·61	40086468	70	42	40125156	70	46
40083857	78	52·62	40086468	76	31~33	40125156	76	40
40083858	78	55·63	40086469	70	44	40162838	72	19·43
40083859	78	58·64	40086469	76	31~33	40162838	76	25·26
40083861	78	50	40086470	70	45	40163020	78	49·61
40083862	78	53	40086470	76	31~33	40163021	78	52·62
40083863	78	56	40086485	68	1	40163022	78	55·63
40083864	78	59	40086485	76	41	40163023	78	58·64
40083960	68	10	40086541	68	5	40163025	74	65
40084115	2	31	40088051	82	17	40163025	76	22·23
40085033	44	30	40089364	32	12	40163061	78	37·45
40085033	78	48	40089365	32	13	40163063	78	35·46
40085316	68	26	40089367	14	16	40178092	52	13
40086349	36	11	40089686	84	2	40178092	58	60
40086350	36	9	40089687	84	19	40178093	52	12
40086351	36	28	40089688	84	4	40178093	58	59
40086352	36	15	40089689	84	24	40178385	76	44·47
40086353	36	10	40089690	84	32	40178441	64	27
40086354	36	27	40089691	84	31	40178442	64	28
40086355	36	5	40089692	90	26	40179140	78	44·47
40086357	36	12	40089693	90	27	A1230500000A	16	48
40086358	36	13	40089694	90	28	B1111210D00	62	49
40086361	86	88	40089695	90	41	B1115210D00	60	33
40086363	36	1	40089696	90	42	B1116210D00	10	32
40086363	76	43	40089697	90	43	B1123210000	10	19
40086364	36	4	40089698	92	51	B1124210000	10	20
40086367	10	40	40089699	92	52	B1129210000	2	19
40086368	52	38	40089848	96	28	B1131528000	82	21
40086368	56	32	40092688	86	71	B1132223C00	10	39
40086370	52	41	40092717	86	68·69	B1144210000	14	45
40086370	56	33	40092950	86	46	B1181210D00	10	16
40086372	54	53	40092951	84	1	B1212210D00	14	44
40086372	58	57	40093109	96	45	B1405210000	16	60·61
40086374	54	54	40097552	86	82	B1408180000	20	32
40086374	58	52	40098294	94	97	B14115520A0	16	58
40086376	54	49	40098302	86	81	B1414555000	16	59
40086376	58	48	40099714	94	98	B1515210D00	30	66
40086378	54	51	40099961	72	15	B1516210D00	28	16
40086378	56	45	40099961	76	1	B151902600G	46	38

NUMERICAL INDEX OF PARTS

PART NO	PAGE	REF NO.	PART NO	PAGE	REF NO.	PART NO	PAGE	REF NO.
B1520210D00A	28	8~ 10·72	B242621000A	42	26~28	B2597210D00	92	66
B1527581000A	30	64	B242621000B	42	26~28	B2598210D00	90	17
B1531210D00	28	12~ 14·73	B242621000C	94	92~95	B2599210D00	90	18
B1601210D0BA	90	1	B242621000D	42	26~28	B2646215000	90	21
B1601210D0CA	90	2	B242621000F	94	92~95	B3114771000	92	72
B1601210D0E	90	3	B242621000G	94	92~95	B3120125000	92	82
B1601210D0FA	90	4	B242621000H	94	92~95	B3120372000	2	40
B161121000A	22	48	B2508210DA0	46	17~19	B3121352000	92	81
B1626555000	52	19	B2508210DAB	46	17~19	B3126012000	6	31
B1634210D00	22	53	B2513215000	52	42	B3126012000	92	79
B1636581A00	20	15~18	B2513215000	56	43	B3132552000	92	80
B1636581B00	20	15~18	B2520210D0A	46	7	B3532223C00	92	91
B1636581C00	20	15~18	B2520210D0B	46	14	B3538112000	6	43
B1636581D00	20	15~18	B2521210D00	46	9·10	B4004210D00	50	40
B1642210D00	30	62	B2522210D00	46	27	B4303210000	84	7
B1705850000	16	78	B2526210D00	50	35	B4306220000	84	15
B1806210D00	32	43	B2527210000	46	21·22	B4314210000	84	8
B1806210D00	82	1	B2535210000	92	68	B5038206000	90	54
B1816215P00	28	25	B2552210D00	94	99	B5038206000	92	54
B1816280000	84	33	B2556210D0A	90	13	B5039206000	90	55
B1816280000	90	38	B2556210D0B	90	14	B5039206000	92	55
B1817210DAD	90	5~7	B2557210DA0	86	85~87	B5115210000	90	67
B1820210D00	32	14	B255728000C	52	37	B5115210000	92	67
B1821210D00	32	15	B2560372000	90	25	B8101210AAB	60	3
B1822215P00	32	16	B2567210D00	56	5	B8105210AAA	60	7
B1828210DAA	32	42	B2572229000	90	20	B8150210000	60	29
B1903552000	16	76	B2579210D00A	52	8	B8153771000	60	18
B1908505000	16	67	B2581210D00	52	15	B8202205000	60	44
B2101220000	86	55	B2582210D00	52	16	B8267180000	10	25
B2107210000	86	59	B2583210D00	52	14	B9101490000	82	24
B2107210D00	36	2	B2587210000	90	22	B9113012000	82	9
B2107210D0B	86	83	B2587210D00	90	29	B9121012000	62	45
B24142800A0	42	34	B2588210D00	90	53	B91212200A0	82	16
B24152800A0	42	32	B2588210D00	92	53	B9140372000	82	10
B2416280000	42	31	B2589210D00	90	19	B9141372000	88	92
B2417210000	42	36	B2593210D00	90	24	BME01100000	68	21·23
B2417280000	42	38	B2593210DA0	90	23	BME03200000	68	21·23
B2418280000	42	30	B2594210D00	90	16	BT0400251EB	56	11
B2421210AA0	42	29	B2594210DA0	90	15	BT0400251EB	64	26
B242328000A	42	20~23	B2595210D00	90	37	BT0400251EB	84	75
B242328000B	42	20~23	B2595210DA0	90	36	BT0400251EB	86	75
B242328000C	42	20~23	B2596210D00	92	64	BT0400251EB	92	84
B242328000D	42	20~23	B2596210DA0	92	60	BT0400251EB	96	19
B2424210000	42	25	B2596210DAA	92	63	BT0600401EB	64	13
			B2597210D00	90	66	BT0600401EB	96	33

NUMERICAL INDEX OF PARTS

PART NO	PAGE	REF NO.	PART NO	PAGE	REF NO.	PART NO	PAGE	REF NO.
CM100100001	6	35	G2301309000	92	78	HX00314000A	96	15
CM200100001	74	46	G2302309000	92	77	HX00326000K	72	11
CM300100003	68	24	G5126172000	56	10	HX003390000	10	41
CM300100401	68	20·49	GAF01007000	16	49	HX003390000	72	21
CM300100401	70	20·49	GEP01013000	96	17	HX00339000M	74	60
CM300200001	6	38	GFU01001000	84	23	HX00354000B	68	12
CM300200003	6	2	GFU01002000	84	3	HX004070000	72	29
CM300400601	68	22·25	GFU01006000	84	6	HX00410000A	72	33
CM300400701	68	22·25	GFU01007000	84	37	HX005110000	72	38
CM301200001	6	1	GPF060600A0	60	21	KM000000480	72	24
CM600100101	6	36	GPF06080000	60	20	KX000000210	74	47
CM600100101	68	14	GPK470010AB	76	5	KX000000230	74	48
CM600100101	74	57	GPK470010AB	80	2	M300451100A	68	27
CM600100201	82	26	HA005820000	68	17	M3801476000	72	9
CQ200000000	32	24	HA006000000	36	19	M4206461000	72	14
CQ303000000	20	3	HD00057000A	26	48	M90295800A0	74	55
CS079073ASH	20	33	HD00057000A	28	41	M90345800A0	70	43
CS079073ASH	52	22	HD00057000A	50	38	MA011532000	68	31
CS079073ASH	56	12	HD00057000A	76	18	MC200501000	16	79~82
CS0800881TP	24	29	HD002040000	76	10	MC200501002	82	4~7
CS1000881TP	50	11	HD00204000A	44	35	MC372001100	16	79~82
D255121XX00	84	30	HD00204000B	44	36	MC372001102	82	4~7
D255221XX00	84	36	HF00130315S	68	28~30	MDP170B1800	16	79~82
D255421XX00	84	25	HF0013050P0	68	28~30	MDP170B1802	82	4~7
D4012D10N0H	92	85	HF003000200	68	28~30	MDP500B1400	16	79~82
D7133555B00	6	32	HK018800020	86	54	MDP500B1402	82	4~7
D8001D15A0Y	96	2	HK034610020	36	17	MTSHJ100003	68	33
D8002D15A0Y	96	3	HK03464000B	36	18	NM3040520SC	72	26
D8113555B00	60	19	HN001490000	74	52	NM6030003SC	44	39
D8204555D00	60	40	HN002460000	74	50	NM6040000SN	2	15
E3051802000	30	63	HN002840000	74	51	NM6040001SP	42	9
E9567319000	72	40	HP000200200	86	53	NM6040001SP	54	48
E9607603000	72	39	HW002180200	68	15	NM6040001SP	56	41
EA9500B0100	4	55	HW200390000	36	20	NM6040003SC	38	18
EA9500B0100	8	47	HW500070000	36	21	NM6040003SC	86	52
EA9500B0100	12	70	HX00065000A	70	41	NM6050001SC	36	23
EA9500B0100	26	50	HX00150000C	6	39	NM6050001SD	54	59
EA9500B0100	30	71	HX00150000D	6	37·40	NM6050001SD	58	55
EA9500B0100	50	28	HX00150000D	28	5	NM6050001SE	66	17
EA9500B0100	64	25	HX00150000D	70	39	NM6050001SP	28	39
EA9500B0100	74	54	HX00150000D	82	14	NM6050001SP	42	12
EA9500B0100	82	2	HX00150000H	6	41	NM6050001SP	46	32
EA9500B0100	84	44	HX00150000K	6	42	NM6060001SC	62	48
EA9500B0100	96	44	HX002330000	58	61	NM6080001SC	60	41
EA9500B0200	6	34	HX002330000	86	77	NM6080001SC	72	13

NUMERICAL INDEX OF PARTS

PART NO	PAGE	REF NO.	PART NO	PAGE	REF NO.	PART NO	PAGE	REF NO.
NM6080002SC	70	38	PX500014000	82	18	SB716000200	30	65
NM6080721SE	60	16	PX500014000	86	73	SD0350156TP	44	38
NM6080721SE	64	2	PX500014000	92	87	SD0400266TP	44	8
NM6080721SE	96	39	PX500014000	96	11	SD0460703TP	84	18
NM6120003SE	60	30	RC0370411KP	36	24	SD0640327TP	86	65
NM6160511SE	66	18	RC0560711KP	6	21	SD0700406TP	86	63
NM6160511SE	92	75	RC0650811KP	20	25	SD0800327TP	28	40
NS6090310SP	36	22	RC3781518KP	20	20	SD0800327TP	42	11
NS6090310SP	92	73	RE0200000K0	44	7	SD0800336TP	22	61
NS6110310SP	6	29	RE0300000K0	32	17	SD0800337TP	24	25
PA0600504A0	92	76	RE0300000K0	52	24	SD0800337TP	30	54
PA1600801A0	84	5	RE0300000K0	56	15	SD0800346TP	28	4
PA1602006A0	56	13	RE0400000K0	6	22	SD0800386TP	20	35
PB000010000	88	91	RE0400000K0	84	9	SD0800387TP	24	40
PB000010000	96	43	RE0500000K0	36	25	SD0800407TP	44	25
PC012401000	86	78	RE0500000K0	56	16	SD0800408TP	20	38
PC012405000	56	27	RE0700000K0	24	35	SD0800656TP	22	56
PC012406000	64	21	RE0700000K0	52	25	SD0800746TP	20	10
PF0205030A0	84	40	RE0800000K0	14	25	SD0801506TP	30	61
PJ046052503	56	14	RE0900000K0	38	3	SD1000406TP	30	55
PJ046052503	84	17	SB104001600	16	69	SD1000506TP	20	37
PJ301040501	96	10	SB108000500	24	26	SK3311600SC	60	39
PJ301040502	92	74	SB108000500	46	33	SK3311601SE	62	46
PJ301040505	84	41·42	SB108002200	16	68	SK3412001SE	96	30
PJ304060001	96	31	SB108002300	16	72	SK3413201SE	70	48
PJ304065201	64	16	SB110002400	30	47	SK3452500SC	64	4
PJ305065107	64	19	SB110002400	32	3	SK3512001SE	68	32
PJ305065204	64	17	SB112001700	32	8	SL4030681SC	68	11
PJ308040002	64	22	SB120000900	14	1	SL4030881SC	68	13
PJ308040002	96	24	SB120001700	14	6	SL4031081SC	50	44
PJ308060005	64	20	SB120001800	14	4	SL4031081SF	26	49
PJ309520001	88	90	SB30700020A	14	29~32	SL4031091SC	36	30
PJ309520001	96	42	SB30700020B	14	29~32	SL4031291SC	28	42
PS0150042K0	10	17	SB30700020C	14	29~32	SL4031691SC	64	23
PS0400082KP	92	65	SB30700020D	14	29~32	SL4032591SC	64	24
PS0400142KH	16	47	SB30800100A	32	33~36	SL4040681SC	12	59
PV010502000	96	9	SB30800100B	32	33~36	SL4040881SC	70	40
PV135207000	64	15	SB30800100C	32	33~36	SL4040881SC	72	20·63·64
PV150209000	86	76	SB30800100D	32	33~36	SL4040881SC	74	20·63·64
PV150209000	92	86	SB310001200	50	27	SL4040891SC	8	46
PV150209100	84	39	SB310001300	50	22	SL4040891SC	12	74
PV155113000	64	18	SB408000100	24	13	SL4040891SC	30	67
PV915005000	96	29	SB408000100	50	20	SL4040891SC	64	29
PX020002000	96	8	SB710000500	52	26	SL4040891SC	72	66
PX050003000	96	32	SB710000500	56	17	SL4040891SC	74	66

NUMERICAL INDEX OF PARTS

PART NO	PAGE	REF NO.	PART NO	PAGE	REF NO.	PART NO	PAGE	REF NO.
SL4041081SC	74	20·63·64	SM4051405SE	66	12	SM6041050TP	58	50
SL4041091SC	8	50	SM4051655SP	30	49	SM6041150TP	6	27
SL4041091SC	10	5	SM4061255SP	2	13	SM6041200SP	50	32
SL4041091SC	72	16·61·62	SM4061255SP	30	58	SM6041202TP	24	21
SL4041091SC	74	16·61·62	SM5040655SN	6	24	SM6041202TP	44	31
SL4041091SE	68	19	SM5040855SN	10	31	SM6041202TP	46	39
SL4041891SC	8	49	SM6020250TP	34	48	SM6041202TP	54	46
SL4043591SC	72	25	SM6020350SP	44	13	SM6041202TP	56	39
SL4051091SC	64	10	SM6020450TP	44	37	SM6041402TP	46	41
SL4051091SC	86	70	SM6020460TP	32	38	SM6042000SP	50	33
SL4051091SC	96	35	SM6030450TP	18	88	SM6050800SP	54	56
SL6040892TN	2	34	SM6030502TP	44	29	SM6050800SP	58	53
SL6040892TN	6	45	SM6030802TP	52	27	SM6051002TP	12	45
SL6041092TN	64	7	SM6030802TP	56	25	SM6051002TP	28	21
SL6052592TN	14	41	SM6040450TP	88	89	SM6051002TP	56	18
SL6083092TN	72	10	SM6040602TP	6	44	SM6051802TP	50	17
SL6084092TN	4	63	SM6040602TP	10	42	SM6052502TP	46	36
SL9061291SE	12	53	SM6040602TP	26	51	SM6060550TP	14	27
SL9082091SE	60	12	SM6040602TP	38	16	SM6061002TP	52	29
SL9082093SE	64	5	SM6040602TP	44	32	SM6061002TP	56	19
SL9082093SE	96	37	SM6040602TP	46	35	SM6061202TP	10	2
SM1030601SP	14	21	SM6040602TP	50	42	SM6061202TP	28	28
SM1040650TP	42	3	SM6040650TP	2	22	SM6061202TP	50	5
SM1040801SP	10	44	SM6040650TP	12	61	SM6061402TN	52	31
SM1040801SP	12	44	SM6040650TP	30	48	SM6061402TN	56	20
SM1040801SP	52	44	SM6040650TP	32	29	SM6061402TP	20	24
SM1040801SP	56	37	SM6040650TP	44	21	SM6061602TP	30	70
SM1040870TP	10	24	SM6040800SP	52	34	SM6061610SC	66	6
SM1040870TP	52	39	SM6040800SP	58	46	SM6061802TP	24	22
SM1040870TP	56	31	SM6040800SP	84	34	SM6061802TP	28	24
SM2360110TP	44	20	SM6040802TN	38	9	SM6062002TP	92	89
SM4020600SP	44	18	SM6040802TP	22	52	SM6066002TN	60	34
SM4021201SC	12	69	SM6040802TP	28	44	SM6084002TN	68	34
SM4030455SP	32	23	SM6040802TP	46	34	SM6086002TP	60	42
SM4030601SN	2	36	SM6040802TP	50	41	SM6450610TP	12	51
SM4030601SN	36	29	SM6040860TP	2	18	SM6450610TP	52	36
SM4040655SP	2	42	SM6040860TP	38	13	SM6450610TP	56	22
SM4040855SP	2	43	SM6040860TP	46	24	SM67506C0TP	86	61
SM4040855SP	36	36	SM6040860TP	82	23	SM7030450SC	10	11
SM4040855SP	92	69	SM6041000SP	84	21	SM7751160TP	22	51
SM4041055SP	2	38	SM6041002TP	12	54	SM8030412TP	16	63
SM4050855SP	12	72	SM6041002TP	46	23	SM8030412TP	38	7
SM4050855SP	36	37	SM6041002TP	52	40	SM8030612TP	54	55
SM4051055SP	10	75	SM6041002TP	56	34	SM8030612TP	56	42
SM4051055SP	12	75	SM6041050TP	54	52	SM8040310SS	16	53

NUMERICAL INDEX OF PARTS

PART NO	PAGE	REF NO.	PART NO	PAGE	REF NO.	PART NO	PAGE	REF NO.
SM8040412TP	2	47	SM9082023SE	60	25	WP0450801SP	44	2
SM8040412TP	4	47	SM9086523SE	60	31	WP0450801SP	46	40
SM8040412TP	36	26	SS1060210TP	42	35	WP0450826SC	6	23
SM8040412TP	86	84	SS1090750SP	84	13	WP0450846SP	26	52
SM8040602TP	46	26	SS1110640TP	20	30	WP0450846SP	42	37
SM8040802TP	6	26	SS5090610SP	84	26	WP0450846SP	46	29
SM8050412TP	24	30	SS6081210SP	84	10	WP0450846SP	50	34
SM8050412TP	30	69	SS6090910SP	20	41	WP0480856SP	52	47
SM8050412TP	46	37	SS6110430TP	42	19	WP0480856SP	54	47
SM8050412TP	52	33	SS6111210SP	96	4~7	WP0480856SP	56	47
SM8050502TP	6	25	SS6120940SP	84	12	WP0480856SP	58	47
SM8050512TP	50	15	SS7060610SP	84	11	WP0480856SP	84	35
SM8050592TP	28	46	SS7090410SP	42	33	WP0480856SP	90	58
SM8050592TP	42	2	SS7110740TP	4	58	WP0480856SP	92	58
SM8050612TP	50	26	SS7110740TP	42	39	WP0482086SD	36	34
SM8050812TP	48	47	SS7110840SP	84	27	WP0502616SD	84	38
SM8050812TP	54	58	SS7110840SP	90	57	WP0520656SA	24	38
SM8050812TP	56	56	SS7110840SP	92	57	WP0520656SA	46	43
SM8050812TP	58	56	SS7111120TP	96	25~27	WP0522016SH	24	39
SM8050812TP	86	62	SS7111810TP	20	42	WP0531001SC	36	40
SM8060602TP	50	36	SS8110410TP	20	34	WP0550800SP	50	18
SM8060610TP	34	46	ST9053511SR	62	50	WP0550800SP	54	57
SM8060612TP	10	15	TA0550604R0	22	57	WP0550800SP	58	54
SM8060612TP	20	6	TA0670604R0	14	19	WP0553216SD	96	4~7
SM8060612TP	24	34	TA0750404R0	12	47	WP0561616SC	86	67
SM8060612TP	28	2	TA0750404R0	20	21	WP0611626SP	20	9
SM8060612TP	32	10	TA0850604R0	2	23	WP0611626SP	28	29
SM8060612TP	50	25	TA1050504R0	2	24	WP0612516SD	92	90
SM8060802TP	24	18	TA1250406R0	2	25	WP0651001SC	10	3
SM8060812TP	14	43	TA2050406R0	2	26	WP0651001SC	30	50
SM8060812TP	20	66	TA2351004R0	2	27	WP0651001SC	52	32
SM8060812TP	22	66	WP0250516SD	84	14	WP0651001SC	56	24
SM8060812TP	24	45	WP0320500SC	44	6	WP0651646SC	62	47
SM8060812TP	28	60	WP0320501SC	36	31	WP0671016SE	60	23
SM8060812TP	30	60	WP0371016SD	86	66	WP0820516SP	14	15
SM8060812TP	32	11	WP0371026SD	84	28	WP0841601SC	70	36
SM8060812TP	42	14	WP0430800SC	22	54	WP0841601SC	72	42
SM8060812TP	50	23	WP0430800SD	12	48	WP0850002SP	24	14
SM8061050TP	32	32	WP0430801SC	38	10	WP0851846SC	60	43
SM8061612TP	16	84	WP0430801SC	50	8	WP0852086SC	70	35
SM8061612TP	40	47	WP0450000SD	56	44	WP0871602SE	60	26
SM8480652TP	14	86	WP0450801SD	2	44	WP0871602SE	64	1
SM8480652TP	16	86	WP0450801SD	36	39	WP0871602SE	96	38
SM8480652TP	24	10	WP0450801SD	96	25~27	WP1221016SP	20	27
SM9061203SE	60	22	WP0450801SP	12	55	WP1612616SE	66	19

NUMERICAL INDEX OF PARTS

PART NO	PAGE	REF NO.
WS0410002KP	52	28
WS0410002KP	56	36
WS0451040KP	96	25~27
WS0510002KN	66	16
WS0621210KR	60	24
WS0820002KR	70	37
WS0861410KR	60	28
WS1643202KR	66	20
WZ0430200KH	90	59
WZ0430200KH	92	59
WZ0850302K0	24	28