

MODEL : DDL-9000B

List No : 1532-04

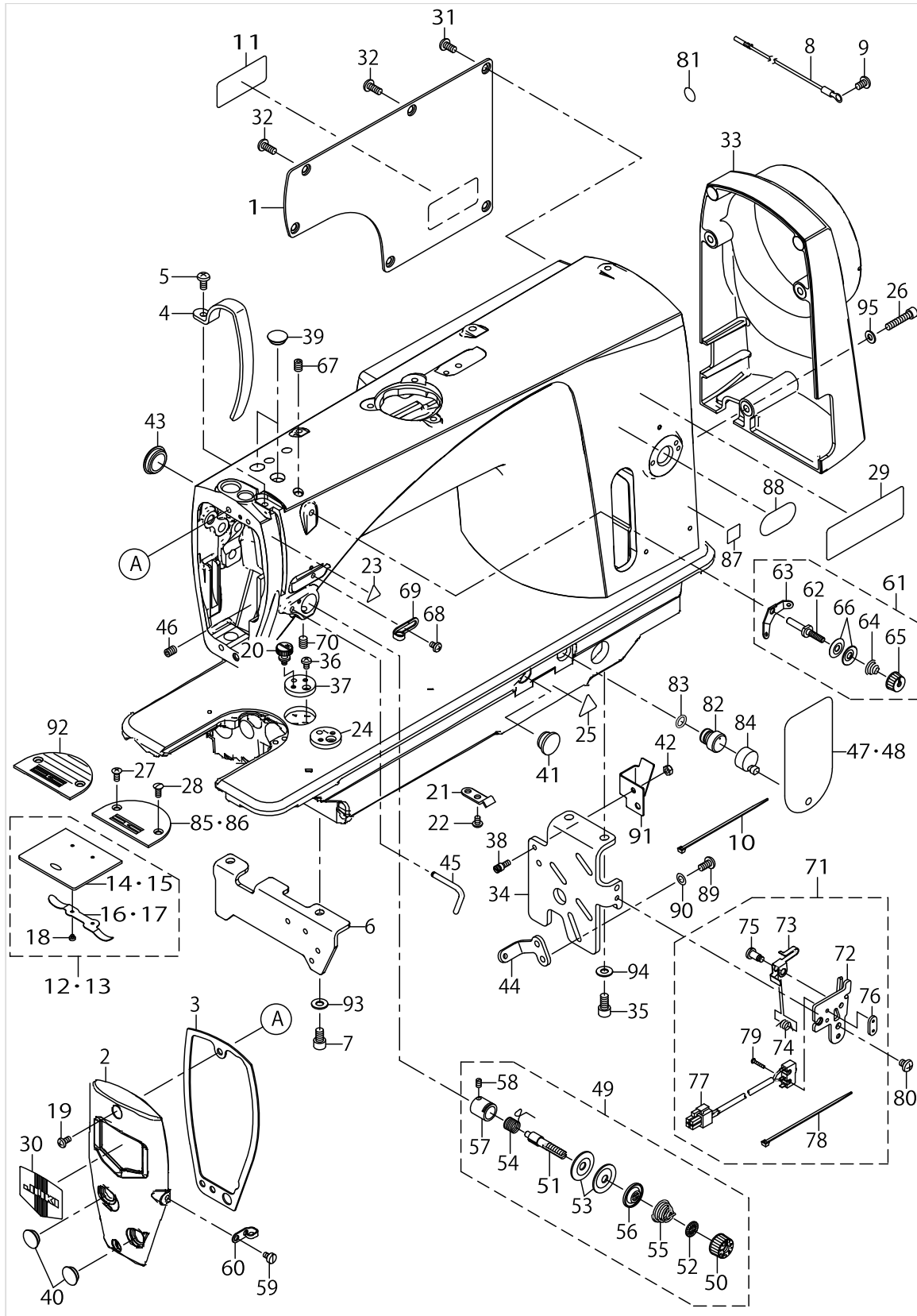
PARTS LIST

Published:05/12/2017

CONTENTS

MACHINE FRAME & MISCELLANEOUS COVER COMPONENTS	1
BOBBIN WINDER COMPONENTS.....	7
MAIN SHAFT & NEEDLE BAR COMPONENTS.....	9
HAND LIFTER & TENSION RELEASE COMPONENTS.....	13
FEED ADJUST MECHANISM COMPONENTS	17
HORIZONTAL FEED, VERTICAL FEED & HOOK DRIVING SHAFT COMPONENTS.....	21
THREAD TRIMMER COMPONENTS	25
OIL LUBRICATION COMPONENTS	29
AUTOMATIC REVERSE FEED COMPONENTS.....	33
WIPER COMPONENTS (FOR DDL-9000B-**-WB)	35
THREAD STAND COMPONENTS.....	37
UNDER COVER COMPONENTS.....	39
ACCESSORIE PART COMPONENTS.....	41
EXCLUSIVE PARTS DDL-9000B DS	43
EXCLUSIVE PARTS DDL-9000B MS,MA	45
EXCLUSIVE PARTS DDL-9000B SH.....	47
TABLE & STAND COMPONENTS.....	51
SPECIAL ORDER PART	53
LIST FOR INFORMATION OF CHANGE (1).....	55
LIST FOR INFORMATION OF CHANGE (2).....	56
HOW TO MAKE USE OF THIS PARTS LIST	57

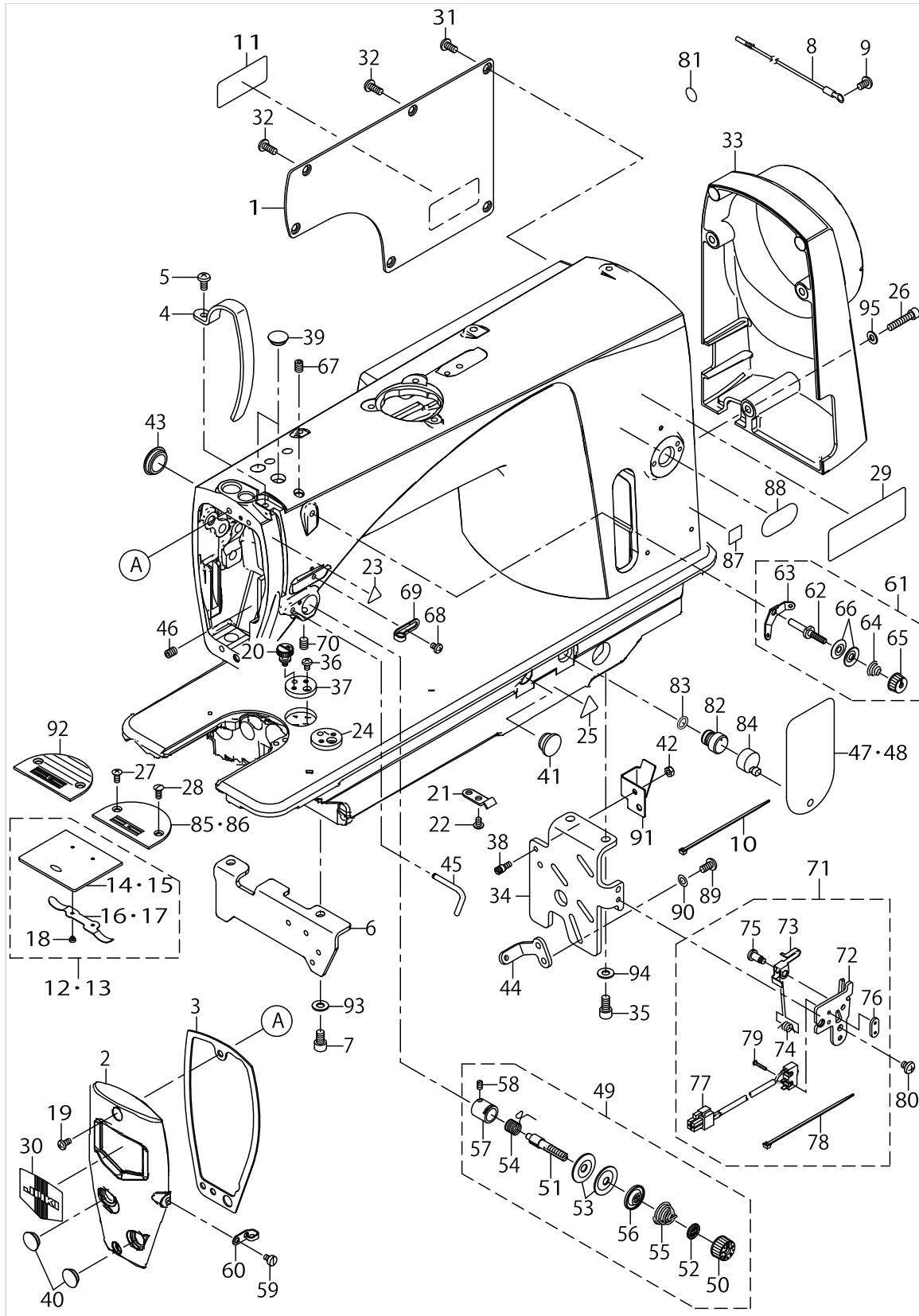
MACHINE FRAME & MISCELLANEOUS COVER COMPONENTS



MACHINE FRAME & MISCELLANEOUS COVER COMPONENTS

No.	Supply Code	Parts No.	Replacement	Parts name	Remarks	Choice	Step	Level	Cons	Qty	Rep. QTY
1		40037158		SIDE PLATE						1	
2		40041161		FACE PLATE						1	
3		40052819		FACE PLATE PACKING						1	
4		23600505		THREAD TAKE-UP LEVER COVER						1	
5		SM4051055SP		SCREW						1	
6		40086713		BED_STUD_A						1	
7		SM6061002TP		SCREW M6 L=10						2	
8		22951552		GROUND WIRE ASM.						1	
9		SM4050855SP		SCREW						1	
10		EA9500B0100		CABLE BAND						1	
11	D	40094561		SEWING MACHINE LABEL (EU)	FOR BB					1	
12		22901250		SLIDE PLATE ASM.	FOR BB,EE					1	
13		22902753		SLIDE PLATE ASM.	FOR AA,GG					1	
14	R	22901201	22901250	SLIDE PLATE				*		1	1.00
15		22902704		SLIDE PLATE				*		1	
16		22901300		SLIDE PLATE SPRING				*		1	
17		22901300		SLIDE PLATE SPRING				*		1	
18		SS6060210SP		SCREW 3/32-56 L=1.9				*		2	
19		SM4050855SP		SCREW						2	
20		40069110		ATTACHMENT FIXATION SCREW	OPTIONAL PARTS					1	
21		22944508		WIRE PRESSER A						1	
22		SM4040855SP		SCREW						1	
23		CM300200001		ATTENTION SEAL						1	
24		40069097		RULER PLATE I	OPTIONAL PARTS					1	
25		CM300200003		ATTENTION LABEL						1	
26		SM6052502TP		SCREW M5X25						3	
27		SM2040955TP		SCREW M4 L=8.5						1	
28		SM2040750TP		SCREW M4 L=7.4						1	
29		CM301300001		SAFETY LABEL						1	
30		22902506		FACE PLATE						1	
31		SM4051055SP		SCREW						4	
32		SM4051255SP		SCREW M5 L=12						2	
33		40086732		PULLEY_COVER						1	
34		40086714		BED_STUD_B						1	
35		SM6061202TP		SCREW M6 L=12						2	
36		SM4040655SP		SCREW M4 L=6						1	
37		40035589		RULER PLATE						1	
38		40091461		FEED LEVER SPRING HOOK						1	
39		TA1250406R0		RUBBER PLUG D=12.5 L=4						2	
40		TA1250406R0		RUBBER PLUG D=12.5 L=4						2	
41		TA1470704R0		RUBBER PLUG						1	
42		NM6040001SP		NUT M4X0.7						1	
43		TA1250406R0		RUBBER PLUG D=12.5 L=4						1	
44		40114043		FEED_ADJUSTING_SPRING_PLATE						1	
45		40052933		ARMTHREADGUIDE C						1	
46		SM80608A2TP		SCREW M6 L=8						1	

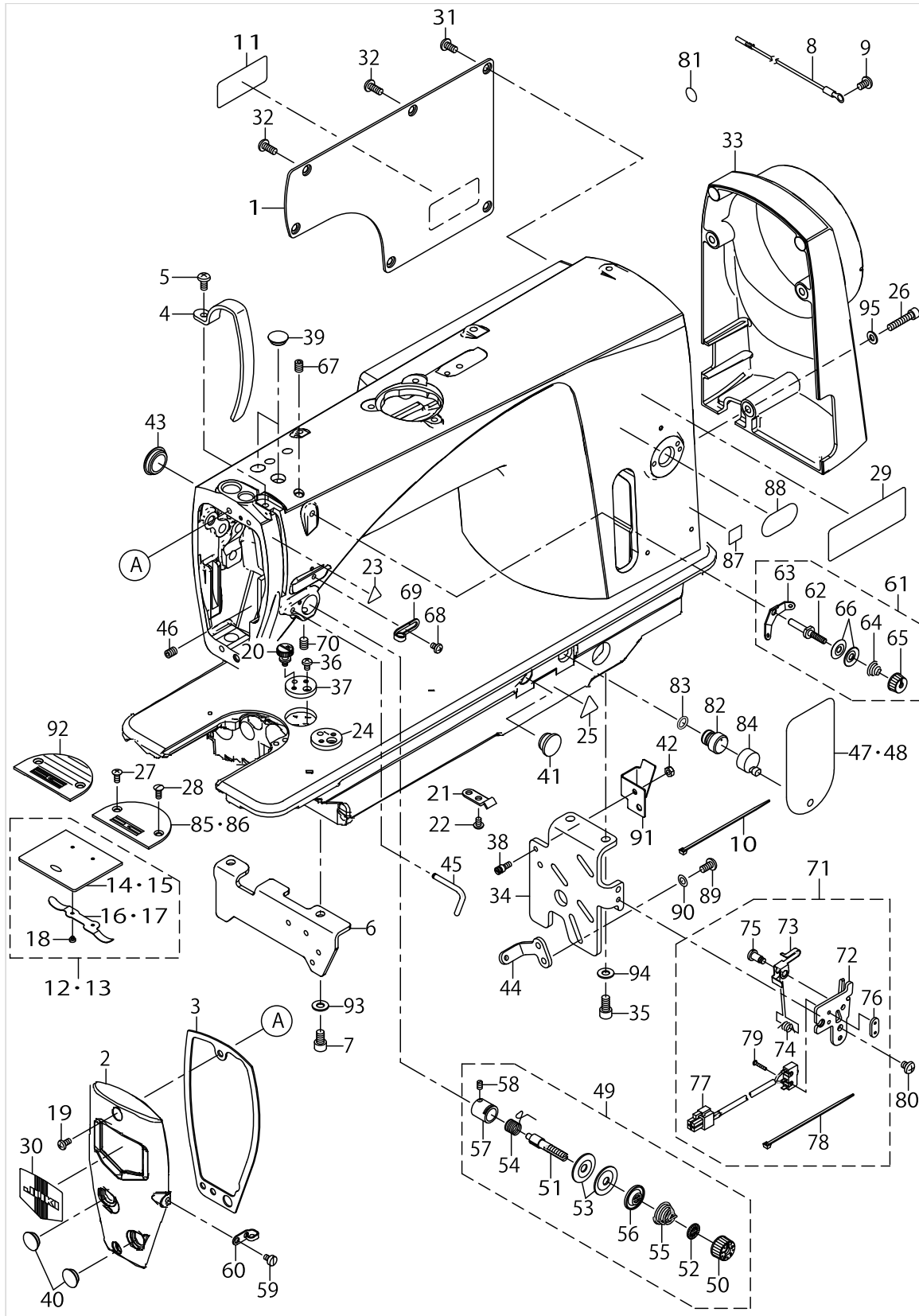
MACHINE FRAME & MISCELLANEOUS COVER COMPONENTS



MACHINE FRAME & MISCELLANEOUS COVER COMPONENTS

No.	Supply Code	Parts No.	Replacement	Parts name	Remarks	Choice	Step	Level	Cons	Qty	Rep. QTY
47		23640006		SHEET						1	
48		40037488		SHEET	FOR GG					1	
49		40086639		THREAD_TENSION_DISK_ASM.						1	
50		23626005		THREAD TENSION NUT				*		1	
51		22921209		THREAD TENSION POST				*		1	
52		22921407		ROTATION STOPPER				*		1	
53		22921506		THREAD TENSION DISK				*		2	
54		22921605		THREAD TAKE-UP SPRING				*	☆	1	
55		22921704		THREAD TENSION SPRING A				*		1	
56		22921803		DISK STOPPER				*		1	
57		40086640		TENSION_POST_SOCKET_ASM.				*		1	
58		SS8090670SP		SCREW 9/64-40 L=5.5				*		1	
59		SS6110610TP		SCREW 11/64-40 L=6						1	
60		22920607		ARMTHREADGUIDEB						1	
61		22963458		THREAD TENSION ASM.						1	
62		22945414		THREAD TENSION POST				*		1	
63	R	22945604	22963458	THREAD TENSION GUIDE		A		*		1	1.00
63	R	22945604	22945463	THREAD TENSION GUIDE		B		*		1	1.00
64	R	22963409	22963458	THREAD TENSION SPRING				*		1	1.00
65		22945703		THREAD TENSION NUT				*		1	
66		22945802		THREAD TENSION DISK				*		2	
67		SM80608A2TP		L=8SCREW M6 L=8						1	
68		SM5040655SN		SCREW						1	
69		23626104		ARMTHREADGUIDEA						1	
70		SM80608A2TP		L=8SCREW M6 L=8						1	
71		40086659		SAFETY_SWITCH_ASM.						1	
72		40086660		SAFETY_SWITCH_BASE				*		1	
73		23638109		SAFETY SWITCH ARM				*		1	
74	R	23638208	23638059	SAFETY SWITCH SPRING				*		1	1.00
75		23638307		SAFETY SWITCH ARM SHAFT				*		1	
76	R	23638406	23638059	SAFETY SWITCH NUT				*		1	1.00
77		40098386		SAFETY_SWITCH_CORD_ASM.				*		1	
78		EA9500B0100		CABLE BAND				*		1	
79		SM4021201SC		SCREW M2 L=12				*		2	
80		SM4050655SP		SCREW M5 L=6						1	
81		22901805		GROUND MARK						1	
82		23629900		AIR-DISCHARGING						1	
83		RO080150200		RUBBER RING						1	
84		23601305		AIR-DISCHARGING CAP						1	
85		B1109012I0B		THROAT PLATE (I)	FOR AA,BB					1	
86		11028008		THROAT PLATE	FOR EE					1	
87		CM600100101		WEEE MARK LABEL S	FOR BB					1	
88		CM600600101		CHINA ENVIRONMENT LABEL	FOR GG					1	
89		SM4051055SP		SCREW						2	

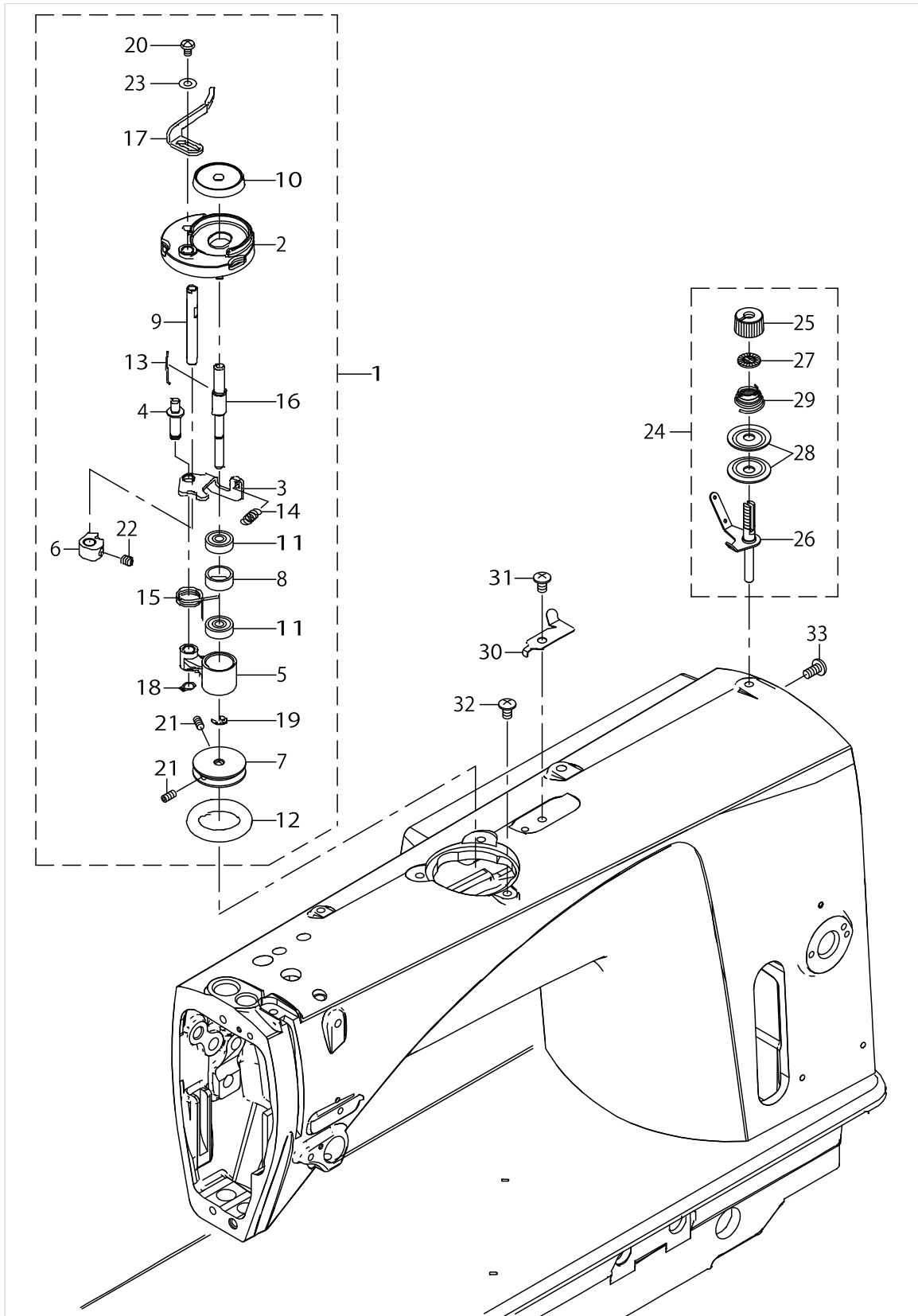
MACHINE FRAME & MISCELLANEOUS COVER COMPONENTS



MACHINE FRAME & MISCELLANEOUS COVER COMPONENTS

No.	Supply Code	Parts No.	Replacement	Parts name	Remarks	Choice	Step	Level	Cons	Qty	Rep. QTY
90		WP0550800SP		WASHER 5.5X10X0.8						2	
91		40091397		CABLE COVER						1	
92		B1109552000		THROAT PLATE	FOR GG					1	
93		WP0621016SD		WASHER 6.2X13X1						2	
94		WP0621016SD		WASHER 6.2X13X1						2	
95		WP0501016SD		WASHER 5X10.5X1						3	

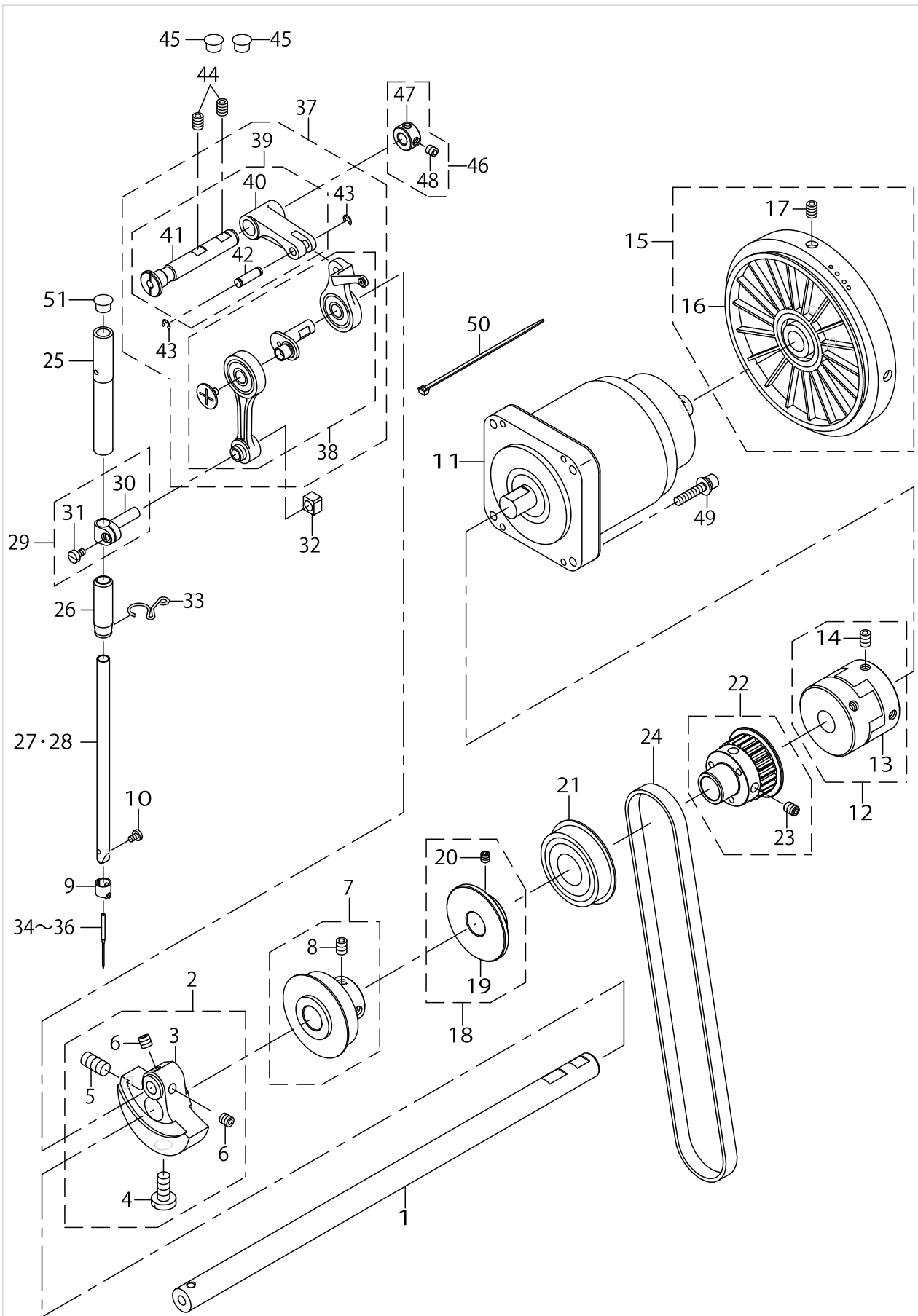
BOBBIN WINDER COMPONENTS



BOBBIN WINDER COMPONENTS

No.	Supply Code	Parts No.	Replacement	Parts name	Remarks	Choice	Step	Level	Cons	Qty	Rep. QTY
1		40023021		BOBBINWINDERUNIT						1	
2	R	26260109	26260000	BTW_BASE				*		1	1.00
3		26260208		BTW_CAM_PLATE				*		1	
4		26260307		BTW_BASE_SHAFT				*		1	
5		26260406		BTW_SHAFT_BASE				*		1	
6		26260505		BTW_CAM_LEVER				*		1	
7		26260604		BTW_WHEEL				*		1	
8	R	26260802	26260000	BTW_BEARING_SPACER				*		1	1.00
9		26261008		BTW_LEVER_SHAFT				*		1	
10		26261206		BTW_SPACER				*		1	
11	R	26261305	26260000	BTW_BEARING				*		2	1.00
12		26261503		BTW_WHEEL_RUBBER				*	☆	1	
13		26261602		BOBBIN_SPRING				*	☆	1	
14		26261701		BTW_SPRING				*		1	
15		40011144		BTW_TORSION_SPRING				*		1	
16		40014837		BTW_SHAFT				*		1	
17		40023022		BTW LEVER				*		1	
18		RC0560711KP		RETAINING RING				*		1	
19		RE0400000K0		E-RING 4				*		1	
20		SM5040655SN		SCREW				*		1	
21		SM8040802TP		SCREW M4X8				*		2	
22		SM8050502TP		SCREW M5 L=5				*		1	
23		WP0450826SC		WASHER 4.5X10X0.8				*		1	
24		40088958		BOBBIN THREAD TENSION ASM.				*		1	
25		22921308		THREAD TENSION NUT				*		1	
26		40088959		BOBBIN THREAD T- ENSION ROD ASM.				*		1	
27		22921407		ROTATION STOPPER				*		1	
28		22921506		THREAD TENSION DISK				*		2	
29		22921704		THREAD TENSION SPRING A				*		1	
30		40037008		THREAD_CUTTER					☆	1	
31		SM0050801SC		SCREW						1	
32		SM0050801SC		SCREW						3	
33		SM4051055SP		SCREW						1	

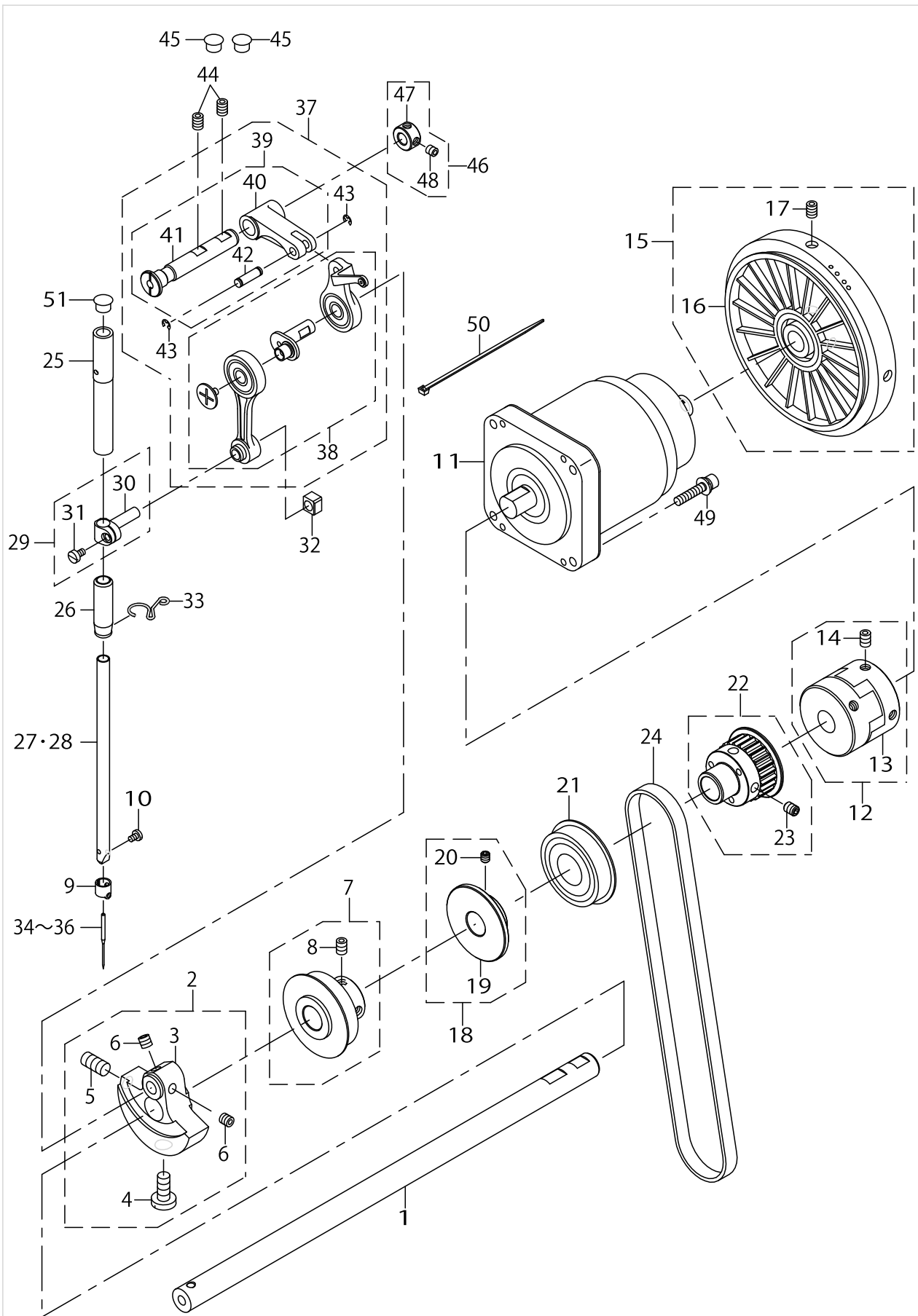
MAIN SHAFT & NEEDLE BAR COMPONENTS



MAIN SHAFT & NEEDLE BAR COMPONENTS

No.	Supply Code	Parts No.	Replacement	Parts name	Remarks	Choice	Step	Level	Cons	Qty	Rep. QTY
1		40086597		MAIN_SHAFT						1	
2		40135904		ASSY_COUNTER WEIGHT						1	
3	R	40135916	40135904	COUNTER WEIGHT				*		1	1.00
4		40004171		COUNTER_WEIGHT_SCREW				*		1	
5		SM8081652TP		SCREW M8 L=16				*		1	
6		SM80606A2TP		6SCREW M6 L=6				*		2	
7		40150011		FRONT_BEARING						1	
8		SM80608A2TP		SCREW M6 L=8				*		2	
9		22906309		NEEDLE BAR THREAD GUIDE						1	
10		SS7080510TP		SCREW 1/8-44 L=4.5					☆	1	
11		40089196		AC SERVO MOTOR						1	
12		40051473		COUPLING ASM.						1	
13		40051474		COUPLING				*		1	
14		SM80608A2TP		SCREW M6 L=8				*		4	
15		40037007		HAND WHEEL ASM.						1	
16		40037006		HAND WHEEL				*		1	
17		SM80608A2TP		SCREW M6 L=8				*		2	
18		40136292		BTW_DRIVING_WHEEL_ASM						1	
19		40136293		BTW_DRIVING_WHEEL				*		1	
20		SM80506A2TP		SCREW M5 L=6				*		2	
21		SB120002700		BEARING						1	
22		40141440		UPPER SPROCKET ASM.						1	
23		SM80608A2TP		SCREW M6 L=8				*		2	
24		40086731		TIMING_BELT_550						1	
25		23608003		NEEDLE BAR METAL UPPER						1	
26		40107707		NEEDLE_BAR_METAL_LOWER						1	
27		22886907		NEEDLE BAR (A)	FOR EE,AA,GG					1	
28		22887004		NEEDLE BAR (B)	FOR BB					1	
29		22906457		NEEDLE BAR HOLDER ASM.						1	
30	R	22906408	22906457	NEEDLERODHOLDER				*		1	1.00
31		SS6090670TP		SCREW 9/64-40 L=6				*		1	
32		40090058		SLIDE BLOCK						1	
33		23626203		NEEDLE BAR THREAD GUIDE						1	
34		MDB100B1100		NEEDLE DBX1 #11	FOR EE,AA				☆	1	
35		MC200500750		NEEDLE 134 NM75	FOR BB				☆	1	
36		MDB100B1400		NEEDLE DBX1 #14	FOR GG				☆	1	
37	R	40135900	40174341	THREAD TAKE UP COMPL.						1	1.00
38	R	40135905	40174341	THREAD_TAKE_UP_ASM_C				*		1	1.00
39		40141165		TAKE_UP_CRANK_ASM				*		1	
40	R	40135906	40174341	TAKE_UP_CRANK				*		1	1.00
41	R	40143184	40174341	TAKE_UP_CRANK_SHAFT				*		1	1.00
42		40135907		THREAD_TAKE_UP_PIN				*		1	
43		RE0300000K0		E-RING 3				*		2	
44		SM80608A2TP		SCREW M6 L=8						2	
45		TA0850604R0		RUBBER PLUG						2	
46		40032269		THRUST COLLAR						1	

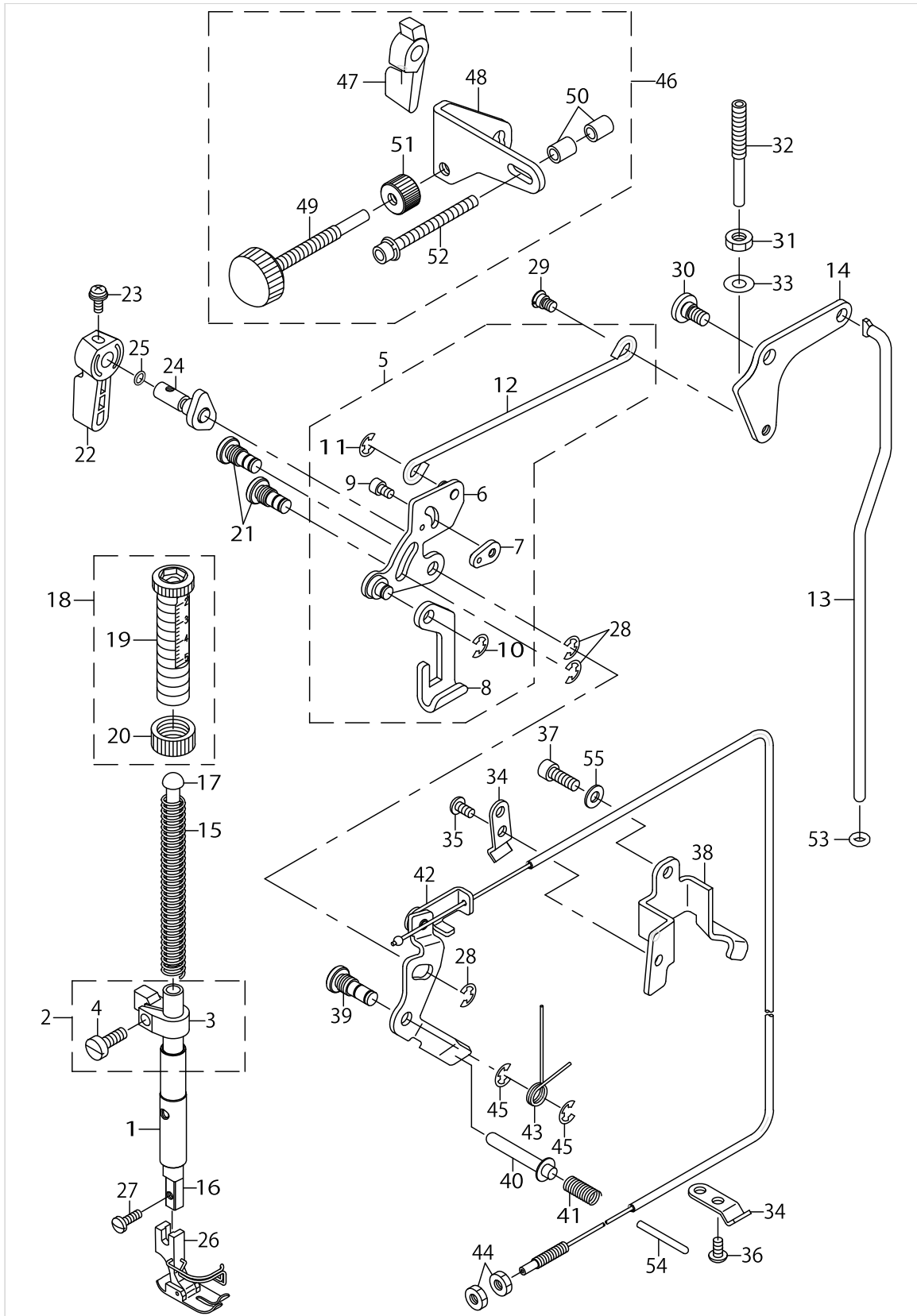
MAIN SHAFT & NEEDLE BAR COMPONENTS



MAIN SHAFT & NEEDLE BAR COMPONENTS

No.	Supply Code	Parts No.	Replacement	Parts name	Remarks	Choice	Step	Level	Cons	Qty	Rep. QTY
47		CS1000881TP		THRUST COLLAR				*		1	
48		SM8050412TP		SCREW M5 L=4				*		2	
49		SL6052592TN		BOLT						4	
50		EA9500B0100		CABLE BAND						2	
51		TA0850604R0		RUBBER PLUG						1	

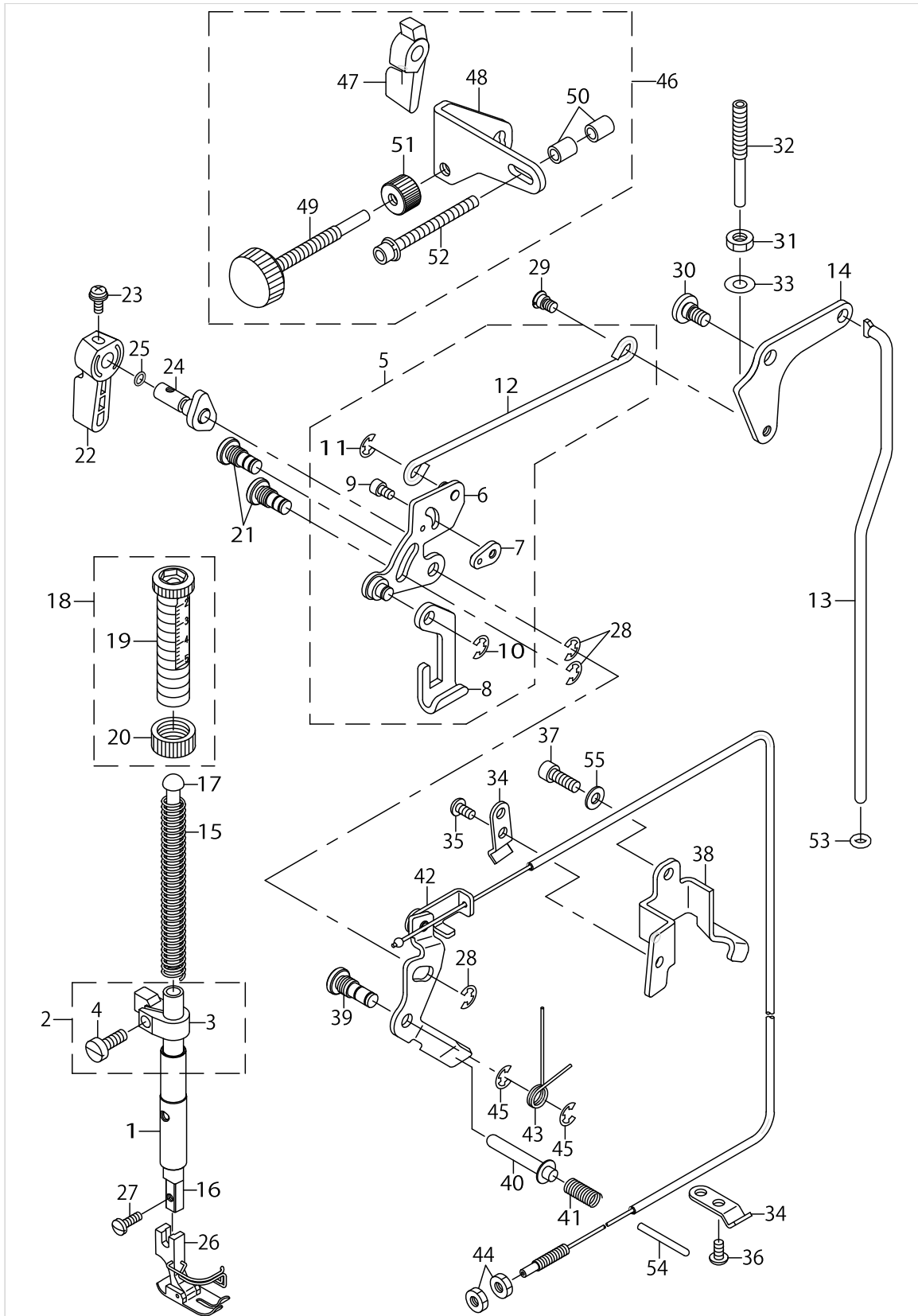
HAND LIFTER & TENSION RELEASE COMPONENTS



HAND LIFTER & TENSION RELEASE COMPONENTS

No.	Supply Code	Parts No.	Replacement	Parts name	Remarks	Choice	Step	Level	Cons	Qty	Rep. QTY
1		40136700		PRESSER_BAR_BUSHING						1	
2		40086606		PRESSER_BAR_GUI- DE_BRACKET_ASM.						1	
3		40086607		PRESSER_BAR_GUIDE_BRACKET				*		1	
4		SM6051400SP		SCREW				*		1	
5		23609357		LIFTING LEVER CO- NNECT ROD_ASM.						1	
6	R	23609456	23609357	LIFTING LINK COMPL.				*		1	1.00
7		23609605		PLATE				*		1	
8	R	22908008	22908354	LIFTING PLATE		A	DDL-5550 5550N 555- ON-7 5556- N-7 5600NL-7	*		1	1.00
8	R	22908008	23609357	LIFTING PLATE		B	DDL-9000A 9000B	*		1	1.00
8	R	22908008	40057398	LIFTING PLATE		C	LH-3500	*		1	1.00
8	R	22908008	40174387	LIFTING PLATE		D	DDL-9000C	*		1	1.00
9		SM6040602TP		SCREW M4 L=6				*		1	
10		RE0500000K0		E-RING				*		1	
11		RE0500000K0		E-RING				*		1	
12	R	23609308	23609357	LIFTING LEVER CONNECT ROD				*		1	1.00
13		40086760		CONNECTING ROD						1	
14		23609704		LIFTING LEVER LINK						1	
15		22907406		PRESSER SPRING						1	
16		23610207		PRESSER BAR						1	
17		23610306		PRESSER GUIDE BAR						1	
18		40037359		PRESSER SPRING REGURATOR_ASM.						1	
19	R	40037141	40037359	PRESSER SPRING REGULATOR				*		1	1.00
20	R	40037144	40037359	PRESSER SPRING REGULATOR NUT				*		1	1.00
21		40050583		LINK SHAFT						2	
22		22907802		HAND LIFTER						1	
23		B1521555000		SCREW						1	
24		22908552		HAND LIFTER CAM_ASM.						1	
25		RO037180100		RUBBER RING						1	
26		B15240120BA		PRESSER FOOT_ASM.						1	
27		SS7091110TP		SCREW 9/64-40 L=10.5						1	
28		RE0500000K0		E-RING						3	
29		22908909		HINGE SCREW						1	
30		40082078		SHOULDER SCREW D=7.24 H=3.3						1	
31	R	NM6060003SE	NM6060003SC	NUT FOR BRACKET						1	1.00
32		40036706		ADJUSTING SCREW						1	
33		WP0621016SD		WASHER 6.2X13X1						1	
34		22944508		WIRE PRESSER A						2	
35		SM4040855SP		SCREW						1	
36		SM4040855SP		SCREW						1	
37		SM6051402TP		SCREW M5X0.8 L=14						1	
38		40086643		WIRE HOLDER						1	
39		40050582		TENSION RELEASE SHAFT						1	
40		22920300		THREAD RELEASE SUPPORTING PIN						1	

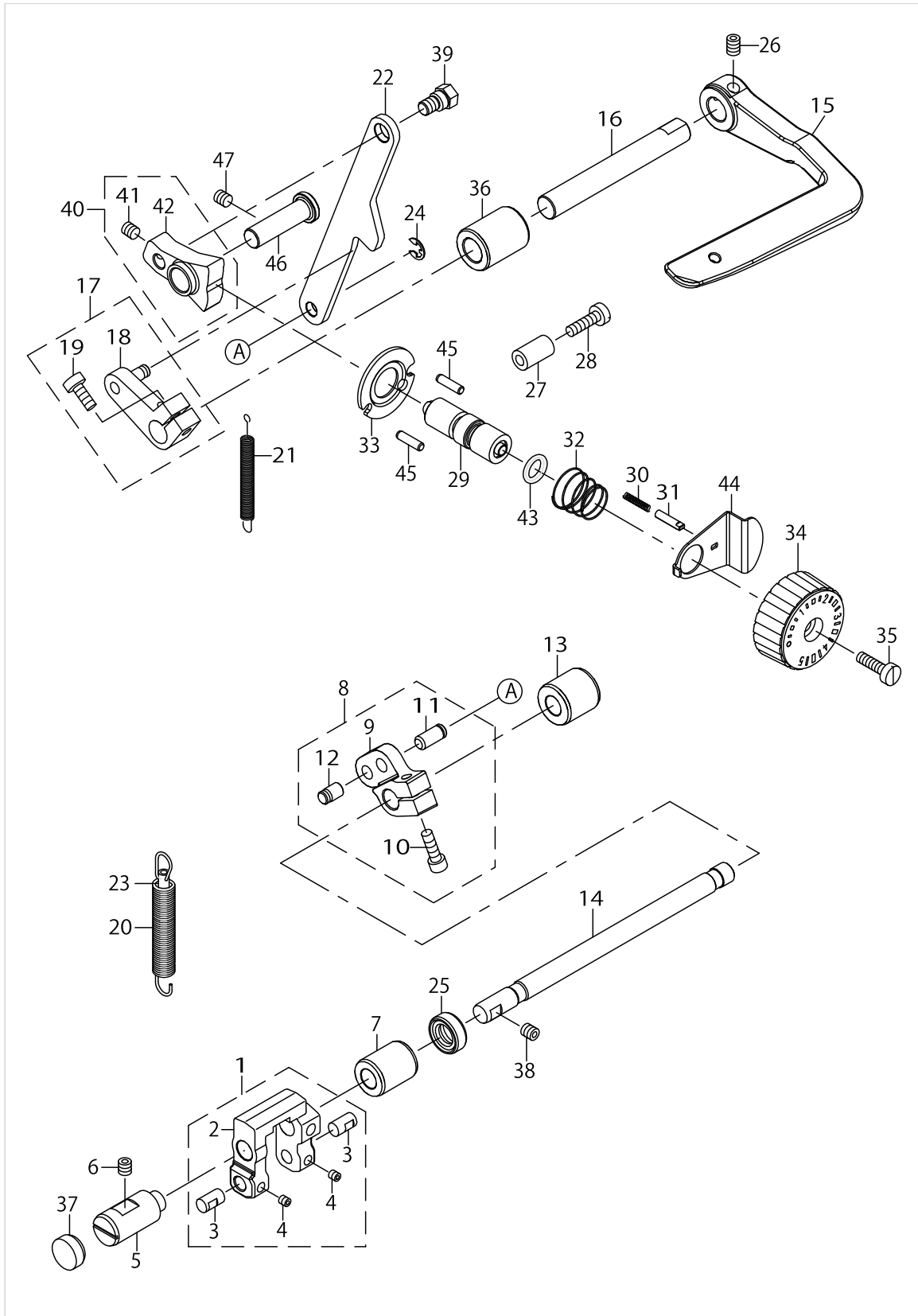
HAND LIFTER & TENSION RELEASE COMPONENTS



HAND LIFTER & TENSION RELEASE COMPONENTS

No.	Supply Code	Parts No.	Replacement	Parts name	Remarks	Choice	Step	Level	Cons	Qty	Rep. QTY
41		22920409		THREAD RELEASE PIN SPRING						1	
42		23626351		THREAD TENSION RELEASE WIRE						1	
43		23626807		TENSION RELEASE RETURN SPRING						1	
44		NS6620310SP		NUT 3/16-32						2	
45		RE0500000K0		E-RING						2	
46		40056622		MINUTE LIFTING DEVICE ASM.	OPTIONAL PARTS					1	
47		23611106		HAND LIFTER				*		1	
48		23610504		STOPPER BASE				*		1	
49		23610652		STOPPER SCREW ASM.				*		1	
50		D5119206K0K		SPACER				*		2	
51		23610702		STOPPER SCREW NUT				*		1	
52		SL6053592TN		BOLT				*		1	
53		RO044240100		RUBBER RING						1	
54		B3118552F00		TENSION RELEASING PIN						1	
55		WP0501016SD		WASHER 5X10.5X1						1	

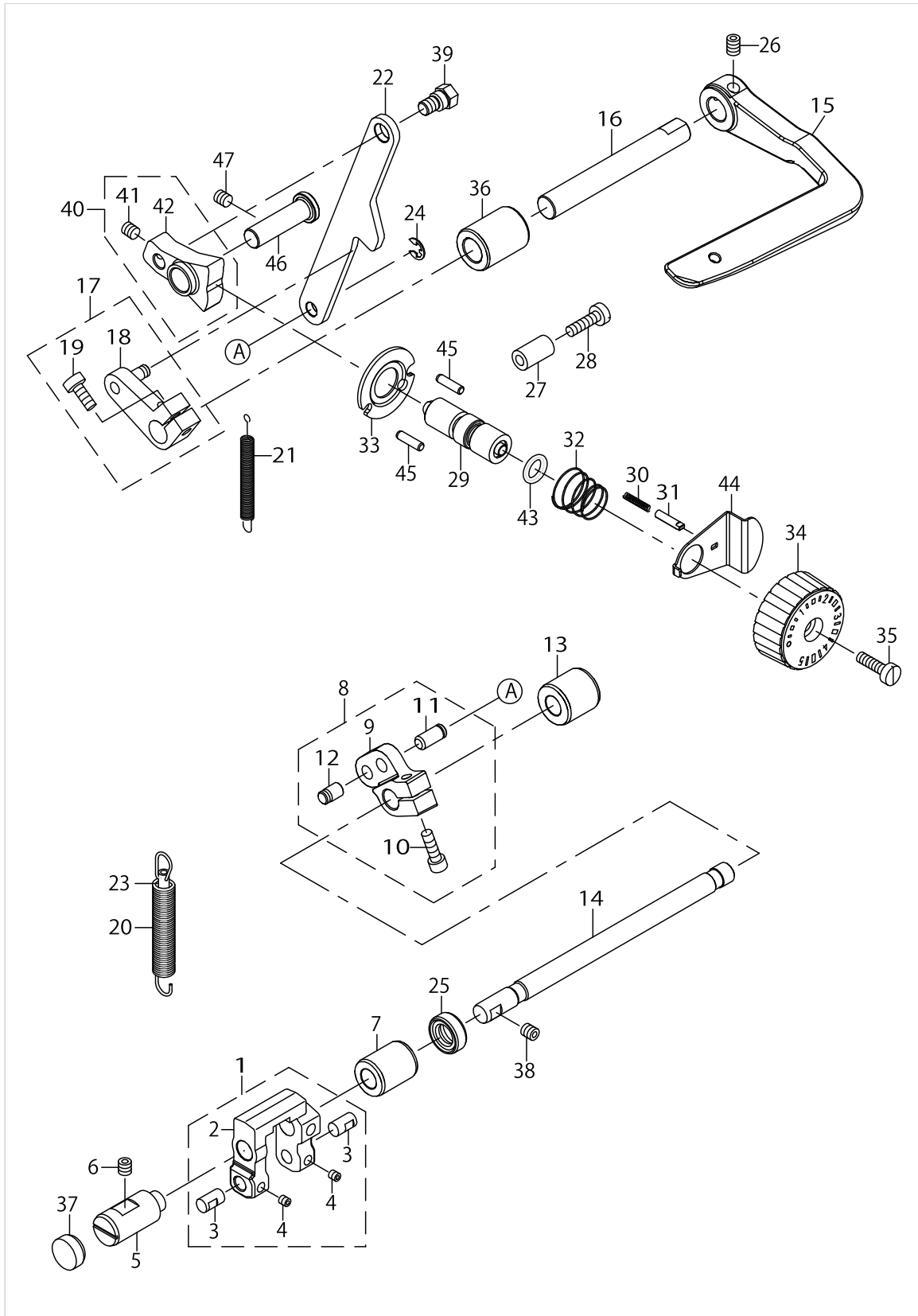
FEED ADJUST MECHANISM COMPONENTS



FEED ADJUST MECHANISM COMPONENTS

No.	Supply Code	Parts No.	Replacement	Parts name	Remarks	Choice	Step	Level	Cons	Qty	Rep. QTY
1		40086735		ADJUSTING_LINK_ASM.						1	
2	R	40086695	40086735	FEED_ADJUSTING_LINK				*		1	1.00
3	R	40086696	40086735	FEED_ADJUSTING_LINK_PIN				*		2	1.00
4		SM80506A2TP		SCREW M5 L=6				*		2	
5		40086608		ADJUSTING_LINK_F-ULCRUM_SHAFT						1	
6		SM80606A2TP		SCREW M6 L=6						1	
7		40086615		FEED_CHANGING_SHAFT_METAL_A						1	
8		40086704		FEED_CHANGING_S-HAFT_ARM_ASM.						1	
9	R	40086705	40086704	FEED_CHANGING_SHAFT_ARM				*		1	1.00
10		SM6051602TP		SCREW M5X0.8 L=16				*		1	
11		22910509		FEED ADJUSTING LINK PIN				*		1	
12		40086706		FEED_CHANGING_SPRING_PIN				*		1	
13		40086616		FEED_CHANGING_SHAFT_METAL_B						1	
14		40086614		FEED_CHANGING_SHAFT						1	
15		40086738		REVERSE_FEED_LEVER						1	
16		23613706		FEED LEVER SHAFT						1	
17		40086674		FEED_LEVER_ARM_ASM.						1	
18		40086675		FEED_LEVER_ARM				*		1	
19		SM6051602TP		SCREW M5X0.8 L=16				*		1	
20		40086737		FEED ADJUSTING SPRING						1	
21		40086739		FEED LEVER SPRING						1	
22		40086609		FEED_ADJUSTING_ROD						1	
23		23630007		TUBE						.1	
24		RE0500000K0		E-RING						1	
25		23612609		FEED CHANGING SHAFT OIL SEAL						1	
26		SM80608A2TP		SCREW M6 L=8						2	
27		22952501		BACK LEVER STOPPER						1	
28		SM6051850TP		SCREW M5 L=18						1	
29		40141842		FEED REGULATOR SCREW						1	
30	R	40123098	40142411	FEED_REGULATOR_PIN_SPRING		A				1	1.00
30	R	40123098	40142412	FEED_REGULATOR_PIN_SPRING		B				1	1.00
31		40161440		FEED_REGULATOR_PIN						1	
32		40141840		REGULATOR STOPPER SPRING						1	
33		40141838		FEED REGULATOR WASHER						1	
34		40141841		REGULATOR PINDIAL						1	
35		SS6121860SP		SCREW 3/16-28 L=18						1	
36		40086617		FEED_LEVER_SHAFT_METAL						1	
37		40086736		RUBBER PLUG						1	
38		SM80606A2TP		SCREW M6 L=6						1	
39		23613409		FEED ADJUSTING PIN						1	
40		40095847		FEED REGULATOR ASM.						1	
41		SM80606A2TP		SCREW M6 L=6				*		1	
42		40122891		FEED_REGULATOR				*		1	
43		RO092270200		RUBBER RING						1	

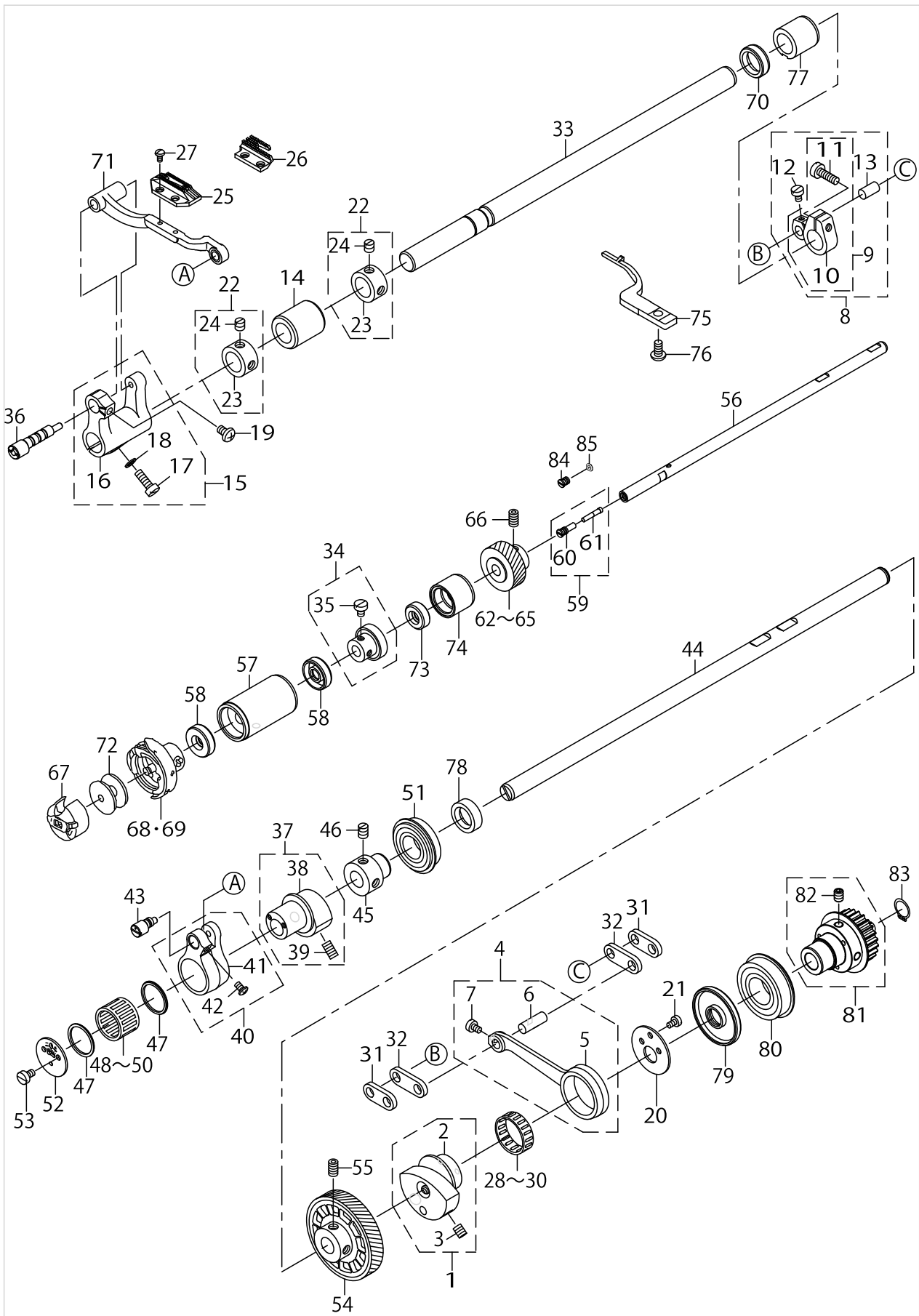
FEED ADJUST MECHANISM COMPONENTS



FEED ADJUST MECHANISM COMPONENTS

No.	Supply Code	Parts No.	Replacement	Parts name	Remarks	Choice	Step	Level	Cons	Qty	Rep. QTY
44		40161441		REGULATOR_PIN_STOPPER						1	
45		40086613		FEED_REGULATOR_STOPPER_PIN						2	
46		40006716		THREAD_TRIMMER_SHAFT						1	
47		SM80606A2TP		SCREW M6 L=6						1	

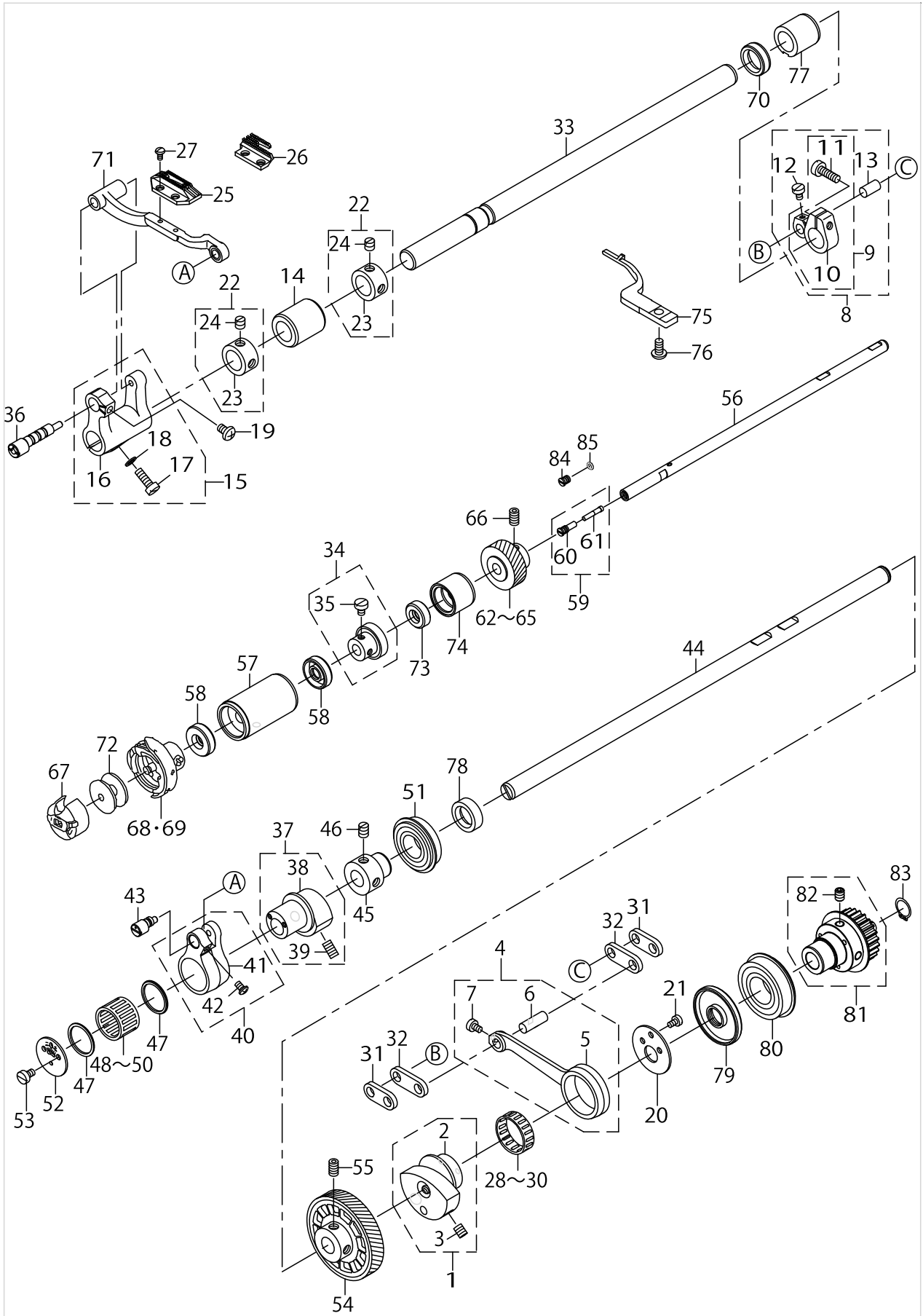
HORIZONTAL FEED, VERTICAL FEED & HOOK DRIVING SHAFT COMPONENTS



HORIZONTAL FEED, VERTICAL FEED & HOOK DRIVING SHAFT COMPONENTS

No.	Supply Code	Parts No.	Replacement	Parts name	Remarks	Choice	Step	Level	Cons	Qty	Rep. QTY
1		40037192		FEED ROCKER CAM ASM.						1	
2		23616006		FEED ROCKER CAM				*		1	
3		SS8150822TP		SCREW 15/64-28 L=8				*		2	
4		40037365		FEED ROCKER ROD ASM.						1	
5		40026277		FEED ROCKER ROD				*		1	
6		22911101		WALKING FOOT PIN C				*		1	
7		SS6090620TP		SCREW				*		1	
8		40061246		FEED ROCKER ARM ALL ASM.						1	
9	R	40058504	40061246	FEED ROCKER ARM ASM.				*		1	1.00
10	R	40042079	40061246	FEED ROCKER ARM				*		1	1.00
11		SS6121610SP		SCREW 3/16-28 L=15.5				*		1	
12		SS6090620TP		SCREW				*		1	
13		22911002		WALKING FOOT PIN B				*		1	
14		23616709		FEED ROCKER SHAFT METAL						1	
15		40037005		ASSY_FEED_ROCKER_BASE_ARM						1	
16		40026281		FEED ROCKER BASE ARM				*		1	
17		SM6051400SP		SCREW				*		1	
18		WP0480856SP		WASHER 4.8X8.4X0.8				*		1	
19		SM4050855SP		SCREW						1	
20		23616204		FEED ROCKER CAM PLATE						1	
21		SS6090670TP		SCREW 9/64-40 L=6						2	
22		22904155		MAIN SHAFT THRU-ST COLLAR ASM.						2	
23	R	22904106	22904155	MAIN SHAFT THRUST COLLAR				*		1	1.00
24		SS8660610TP		SCREW 1/4-40 L=6				*		2	
25		B1613012I00		FEED DOG I	FOR AA,BB,GG					1	
26		23614506		FEED DOG A	FOR EE					1	
27		SS4080620TP		SCREW 1/8-44 L=6						2	
28		B412352200A		NEEDLE BEARING	SELECTIVE PARTS					1	
29		B412352200B		NEEDLE ROLLAR	SELECTIVE PARTS					1	
30		B412352200C		NEEDLE ROLLAR	SELECTIVE PARTS					1	
31		40026278		CONNECTING LINK A						2	
32		23616402		CONNECTING LINK B						2	
33		23616600		FEEDROCKERSHAFT						1	
34		40086743		BEARING SUPPORT ASM.						1	
35		SS6110710TP		SCREW 11/64-40 L=6.5				*		2	
36		40026282		FEED ROCKER BASE SHAFT						1	
37		40000391		VERTICAL FEED CAM ASM. 5						1	
38	R	40000392	40000391	VERTICAL FEED CAM 5				*		1	1.00
39		SS8151150TP		SCREW 15/64-28 L=10.5				*		2	
40		40053720		FEED DRIVING BASE ARM ASM.						1	
41	R	40026287	40053720	FEED DRIVING BASE ARM				*		1	1.00
42		SM4040655SP		SCREW M4 L=6				*		1	
43		40026288		FEED DRIVING BASE SHAFT						1	
44		40086757		FEED DRIVING SHAFT						1	
45		40086690		FEED_DRIVING_BEARING_SUPPORT						1	
46		SS8661012TP		SCREW						2	

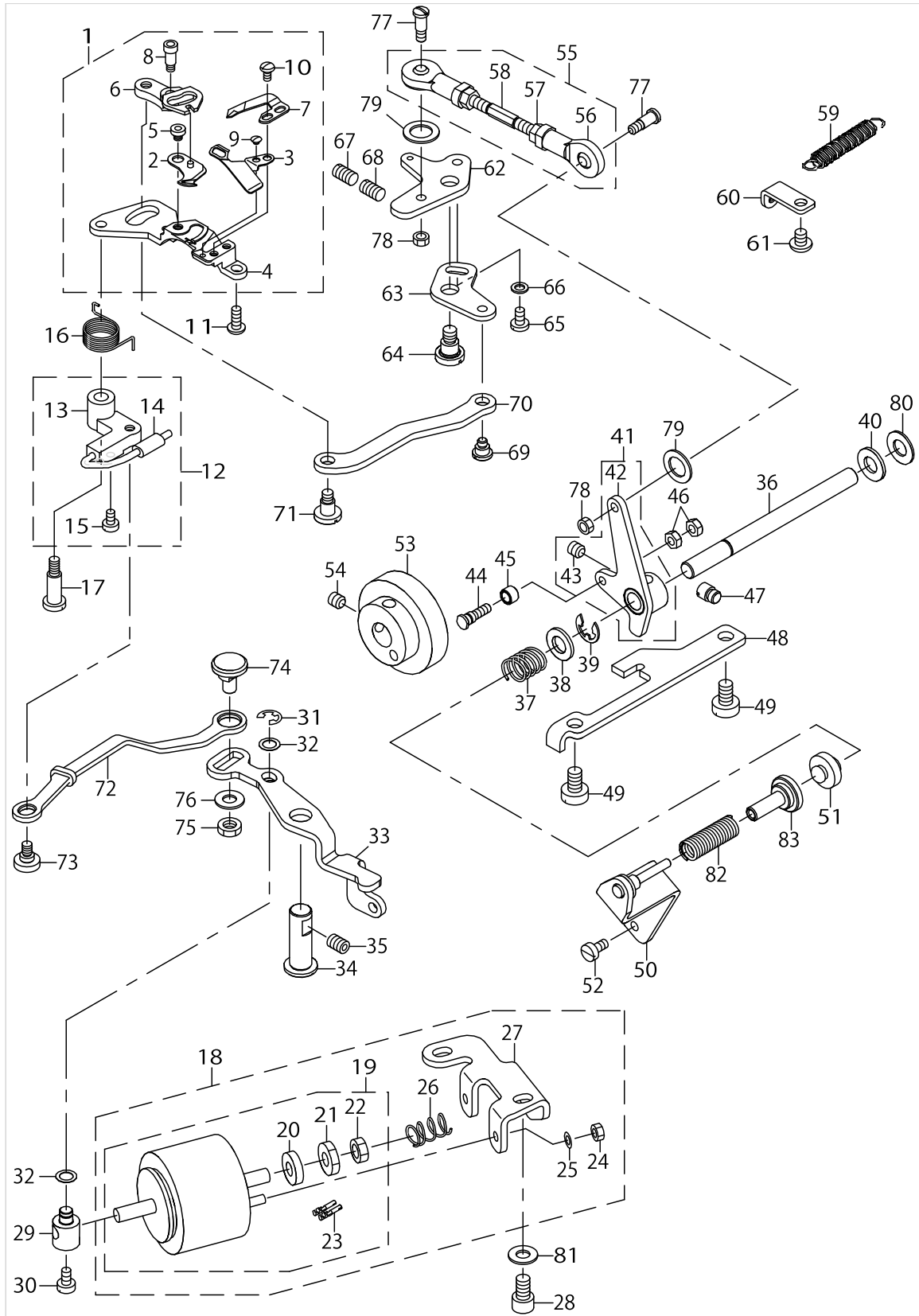
HORIZONTAL FEED, VERTICAL FEED & HOOK DRIVING SHAFT COMPONENTS



HORIZONTAL FEED, VERTICAL FEED & HOOK DRIVING SHAFT COMPONENTS

No.	Supply Code	Parts No.	Replacement	Parts name	Remarks	Choice	Step	Level	Cons	Qty	Rep. QTY
47		23618101		FEED DRIVING CAM THRUST BUSH						2	
48		SB32000060A		BEARING	SELECTIVE PARTS					1	
49		SB32000060B		BEARING	SELECTIVE PARTS					1	
50		SB32000060C		BEARING	SELECTIVE PARTS					1	
51		SB117001200		BEARING						1	
52		23618309		FEED DRIVING CAM PLATE						1	
53		SS6090670TP		SCREW 9/64-40 L=6						2	
54		23620503		GEAR (LARGE)						1	
55		SS8661012TP		SCREW						2	
56		23620008		HOOK SHAFT						1	
57		23620156		HOOK SHAFT METAL COMPL.						1	
58		40145927		OIL SEAL						2	
59		22916555		OILSEALSCREWASM.						1	
60		22916506		SET SCREW				*		1	
61		11015906		OIL WICK				*		1	
62		23620701		GEAR (SMALL)(A)	SELECTIVE PARTS					1	
63		23620800		GEAR (SMALL)(B)	SELECTIVE PARTS					1	
64		23620909		GEAR (SMALL)(C)	SELECTIVE PARTS					1	
65		23621006		GEAR (SMALL)(D)	SELECTIVE PARTS					1	
66		SS8661012TP		SCREW						2	
67		11038759		BOBBIN CASE ASM.					☆	1	
68		11141355		HOOK ASM.	FOR BB				☆	1	
69		11038650		HOOK ASM.	FOR AA,EE,GG				☆	1	
70		40086740		OIL SEAL						1	
71		40030786		FEED BASE COMPL.						1	
72		22964001		BOBBIN A					☆	1	
73		40086744		HOOK DRIVING SHAFT OIL SEAL						1	
74		23620404		HOOK SHAFT REAR METAL						1	
75		40089607		INNER_HOOK HOLDER						1	
76		SM4051055SP		SCREW						1	
77		40086618		FEED_SHAFT_REAR_METAL						1	
78		40086741		OIL SEAL						1	
79		40086742		OIL SEAL						1	
80		SB120001800		BEARING						1	
81		40141443		UNDER SPROCKET ASM.						1	
82		SM80608A2TP		SCREW M6 L=8				*		2	
83		RC1200001KP		C-SHAPED SNAP RING						1	
84		11079506		FRONT SCREW	OPTIONAL PARTS					1	
85		RO036080200		RUBBER RING	OPTIONAL PARTS					1	

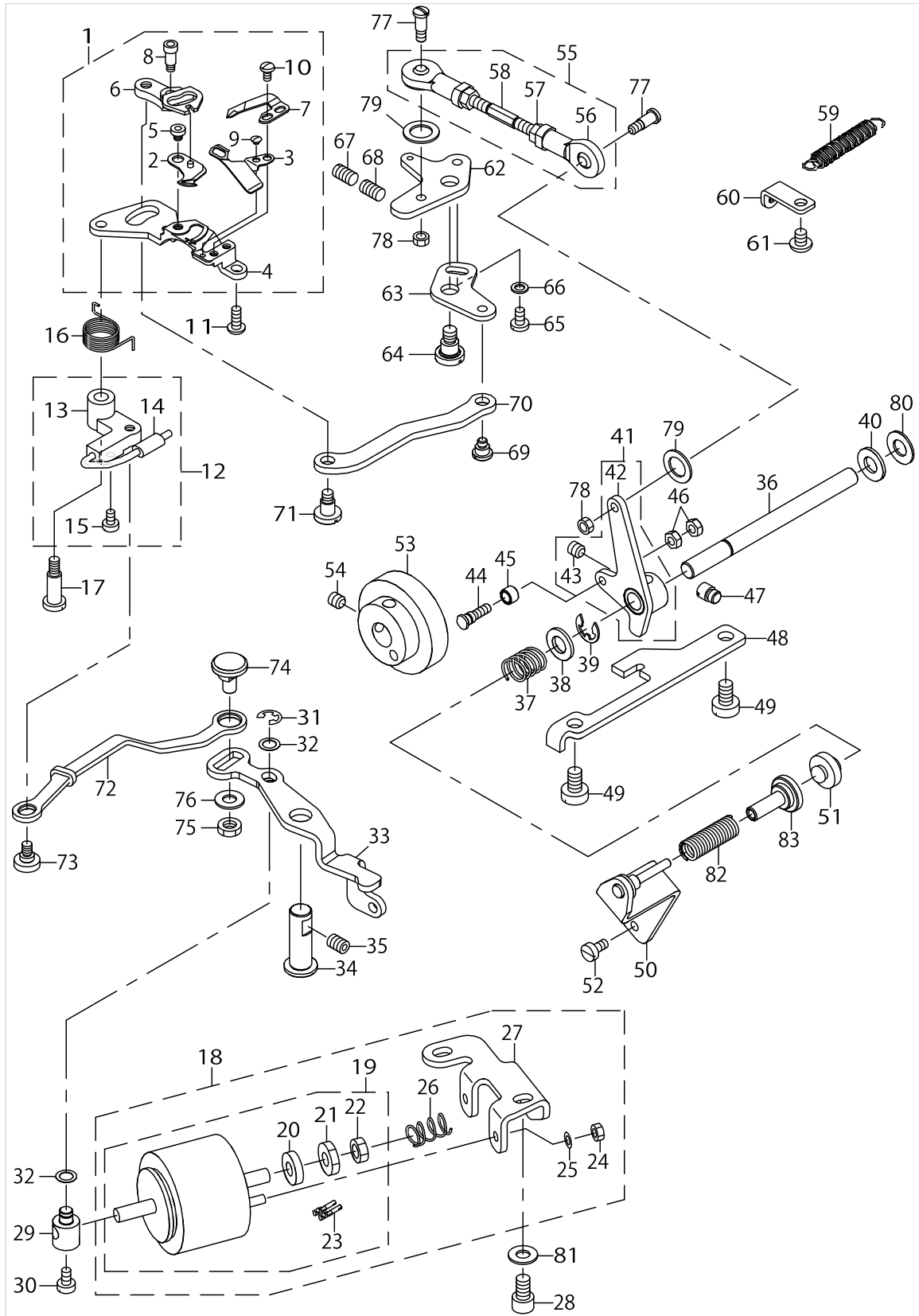
THREAD TRIMMER COMPONENTS



THREAD TRIMMER COMPONENTS

No.	Supply Code	Parts No.	Replacement	Parts name	Remarks	Choice	Step	Level	Cons	Qty	Rep. QTY
1		40050585		KNIFE UNIT						1	
2		11040052		MOVING KNIFE ASM.				*	☆	1	
3		40044189		THREAD_GUIDE_FOR_KNIFE				*	☆	1	
4		22947907		KNIFE MOUNTING BASE				*		1	
5		11040409		MOVING KNIFE HINGE SCREW				*		1	
6		22948202		FORKED BASE FOR KNIFE				*		1	
7		D2406555D0H		COUNTER KNIFE				*	☆	1	
8		SD0460703TP		HINGE SCREW D=4.6 H=7				*		1	
9		SS2060210SP		SCREW 3/32-56 L=2.3				*		1	
10		SS4080620TP		SCREW 1/8-44 L=6				*		2	
11		SM4041055SP		SCREW						1	
12		40036998		ASSY_PICKER_ARM						1	
13		40061215		PICKER ARM				*		1	
14		40036997		ASSY_PICKER				*	☆	1	
15		SS6090670TP		SCREW 9/64-40 L=6				*		2	
16		40029398		PICKER SPRING						1	
17		SD0641456TP		SHOULDER SCREW D=6.35 H=14.5						1	
18		40086746		ASSY_THREAD_TRIM_SOLENOID						1	
19		40089263		THREAD TRIMMER SOLENOID				*		1	
20		11043304		SOLENOID RUBBER				*		1	
21		NS6660410SH		NUT				*		1	
22		NS6660430SP		NUT 1/4-40				*		1	
23		HK03464000B		PIN CONTACT				*		2	
24		NM6040000SN		NUT M4				*		2	
25		WP0430800SC		WASHER M4				*		2	
26		40089672		SPRING				*		1	
27		40086727		SOLEOID INSTALLING BASE				*		1	
28		SM6061002TP		SCREW M6 L=10						2	
29		40086711		SORENOID_PIN						1	
30		SS6110710TP		SCREW 11/64-40 L=6.5						1	
31		RE0500000K0		E-RING						1	
32		10618304		WASHER						2	
33		40086634		CLUTCH_PLATE						1	
34		40086635		CLUTCH_SHAFT						1	
35		SM8060812TP		SCREW M6 L=8						1	
36		40086622		THREAD_TRIMMER_SHAFT						1	
37		31256803		SPRING						1	
38		WP0841600SD		WASHER M8						1	
39		RE0700000K0		E-RING 7						1	
40		B1116804000		RUBBER WASHER						1	
41		40095843		ASSY CAM FOLLOWER						1	
42		40086624		CAM_FOLLOWER_ASM.				*		1	
43		SM80606A2TP		SCREW M6 L=6				*		2	
44		40086748		ROLLER SHAFT						1	
45		40015671		CAM_ROLLER						1	
46		NM6040001SP		NUT M4X0.7						2	

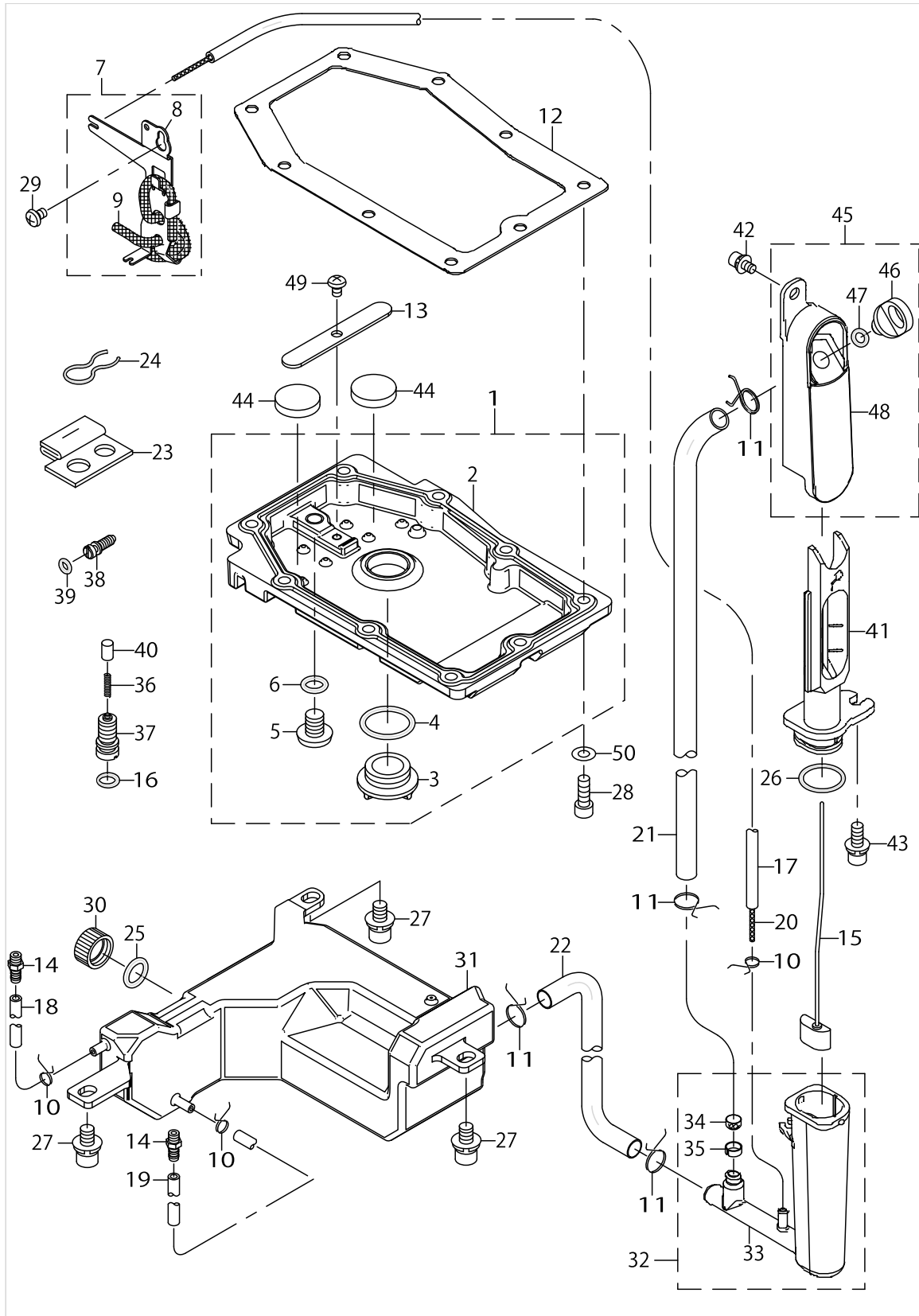
THREAD TRIMMER COMPONENTS



THREAD TRIMMER COMPONENTS

No.	Supply Code	Parts No.	Replacement	Parts name	Remarks	Choice	Step	Level	Cons	Qty	Rep. QTY
47		40086623		STOPPER_SCREW						1	
48		40086636		CAM_FOLLOWER_STOPPER						1	
49		SM6061010TP		SCREW M6 L=10						2	
50		40095870		THREAD TRIMMER STOPPER ASM.						1	
51		B1116210D00		STOPPER RUBBER						1	
52		SM6040800SP		SCREW						2	
53		40086747		THREAD TRIMMER CAM						1	
54		SM80608A2TP		SCREW M6 L=8						2	
55		40086708		CONNECTING_ROD_ASM.						1	
56		40136701		ROD_END				*		2	
57		NM6050001SC		NUT M5				*		2	
58		40086709		CONNECTING_BAR				*		1	
59		26226209		SPRING						1	
60		40086621		SPRING_RACK						1	
61		SM4050655SP		SCREW M5 L=6						1	
62		40086631		THREAD_TRIMMER_LINK_A						1	
63		40086632		THREAD_TRIMMER_LINK_B						1	
64		40086633		SHOULDER_SCREW						1	
65		SS7110740TP		SCREW 11/64-40 L=7						1	
66		WP0450801SP		WASHER						1	
67		SM8061050TP		SCREW						1	
68		SM8061010TP		SCREW						1	
69		SD0640321SP		HINGE SCREW D=6.35 H=3.2						1	
70		40086628		MOVING_KNIFE_LINK						1	
71		SD0640631TP		HINGE SCREW D=6.35 H=6.3						1	
72		40086637		PICKER_LINK_ASM.						1	
73		SD0630275SP		HINGE SCREW D=6.35 H=2.7						1	
74		22950000		PICKER LINK PIN						1	
75		NS6150310SP		NUT 15/64-28						1	
76		WP0621016SH		WASHER						1	
77		SD0500701TP		SHOULDER SCREW						2	
78		NS6110310SP		NUT 11/64-40						2	
79		40086712		CONNECTING ROD FELT						2	
80		40090099		WASHER						1	
81		WP0621016SD		WASHER 6.2X13X1						2	
82		40095218		THREAD TRIMMER STOPPER SPRING						1	
83		40095873		THREAD TRIMMER STOPPER BUSH						1	

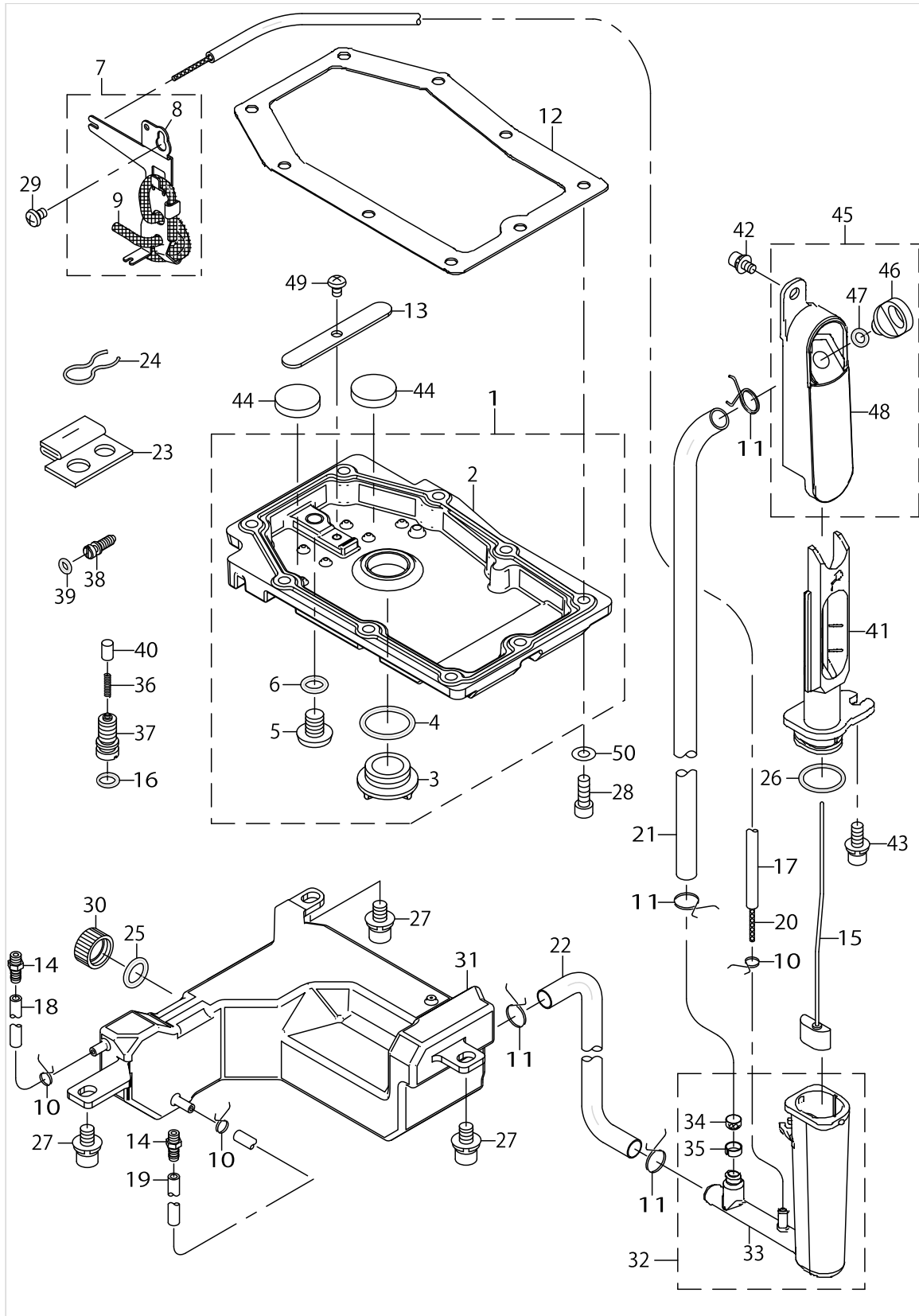
OIL LUBRICATION COMPONENTS



OIL LUBRICATION COMPONENTS

No.	Supply Code	Parts No.	Replacement	Parts name	Remarks	Choice	Step	Level	Cons	Qty	Rep. QTY
1		40082059		GEAR BOX COVER ASM.						1	
2		40135639		GEAR_BOX_COVER				*		1	
3		40034246		OIL_SIGHT_WINDOW				*		1	
4		RO195240100		RUBBER RING				*		1	
5	R	13171004	SM0081001SD	DRAIN SCREW				*		1	1.00
6		13170105		RUBBER RING				*		1	
7		23629256		OIL WICK SUPPORT ASM.						1	
8	R	23629207	23629256	OIL WICK SUPPORT				*		1	1.00
9		CQ250000001		OIL WICK				*		0.25	
10		23629306		PIPE STOPPER A						3	
11		23629405		PIPE STOPPER B						4	
12		40037166		GEAR BOX PACKING						1	
13		40135640		MAGNET HOLDER						1	
14		SQ2050453MZ		CONNECTING SCREW						2	
15		40086648		FLOATER_ASM.						1	
16		RO068190100		RUBBER RING						1	
17		23630007		TUBE						.57	
18		23630007		TUBE						.08	
19		23630007		TUBE						.11	
20		CQ200000001		OIL WICK						.75	
21		23630106		TUBE B						.165	
22		23630106		TUBE B						.2	
23		40075404		FACE FELT ASM.						1	
24		22925101		OIL FELT PRESSER						1	
25		RO098240100		RUBBER RING						1	
26		RO172180100		RUBBER RING						1	
27		SL6061292TN		SCREW						3	
28		SM6051402TP		SCREW M5X0.8 L=14						9	
29		SM5040655SN		SCREW						1	
30		40013595		OIL_EXIT_CAP						1	
31		40098329		OIL_TANK						1	
32		40086646		FLOATER_CASE_ASM.						1	
33		40086647		FLOATER_CASE				*		1	
34	R	23630403	23630650	OIL FILTER				*		1	1.00
35	R	23630502	23630650	OIL FILTER STOPPER				*		1	1.00
36		23628902		PLUNGER SPRING						1	
37		40038328		PLUNGER SCREW						1	
38		40037502		OIL ADJUSTING SCREW						1	
39		RO037180100		RUBBER RING						1	
40		23628803		PLUNGER						1	
41		40086693		FROATER_CASE_GUIDE						1	
42		SL6040892TN		BOLT						1	
43		SL6051492TN		BOLT						1	
44		B8228125000		OIL RESERVOIR MAGNET						2	
45		40149785		ASSY_FLOATER_SIGHT_WINDOW_B						1	
46		40000344		LUBRICATING INLET CAP				*		1	

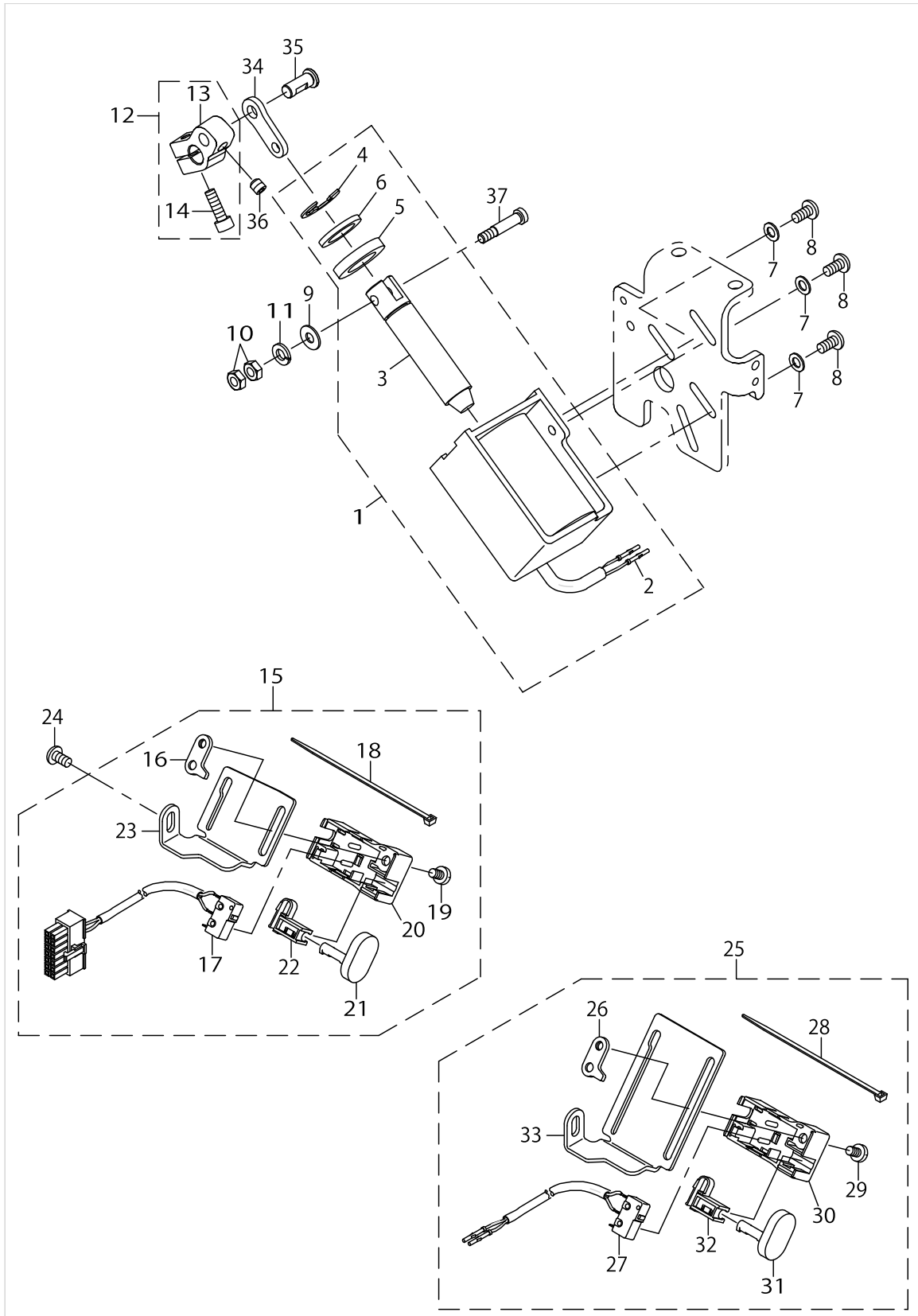
OIL LUBRICATION COMPONENTS



OIL LUBRICATION COMPONENTS

No.	Supply Code	Parts No.	Replacement	Parts name	Remarks	Choice	Step	Level	Cons	Qty	Rep. QTY
47		RO048190100		RUBBER RING				*		1	
48		40086697		FLOATER_SIGHT_WINDOW_B				*		1	
49		SM4040601SC		SCREW M4X0.7 L=6						1	
50		WP0501016SD		WASHER 5X10.5X1						9	

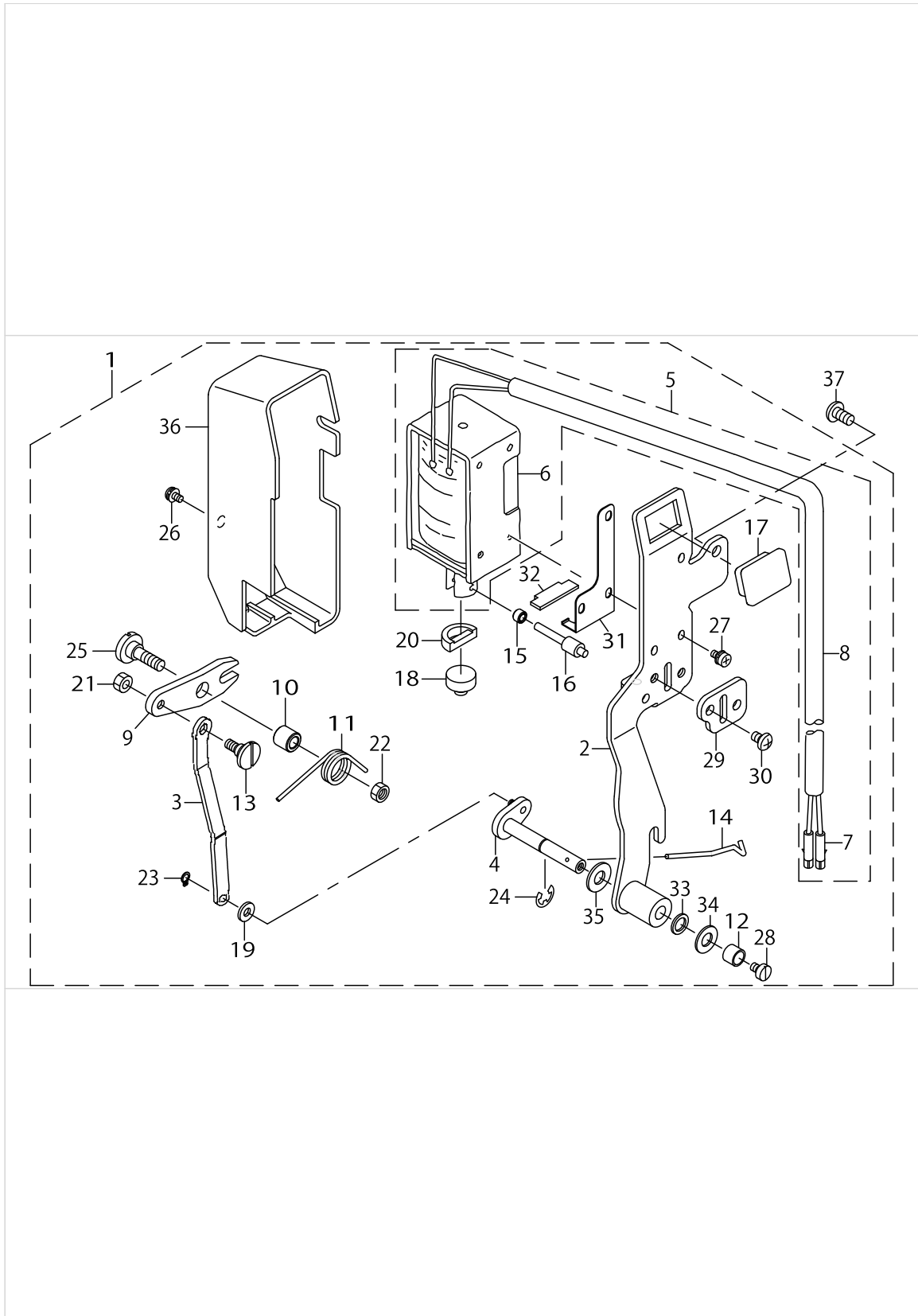
AUTOMATIC REVERSE FEED COMPONENTS



AUTOMATIC REVERSE FEED COMPONENTS

No.	Supply Code	Parts No.	Replacement	Parts name	Remarks	Choice	Step	Level	Cons	Qty	Rep. QTY
1		40086750		REVERSE FEED SOLENOID ASM.						1	
2		HK03464000B		PIN CONTACT				*		2	
3		40086753		REVERSE FEED SOLENOID PLUNGER				*		1	
4		RE1200000K0		E-RING 12				*		1	
5		D2468555B00		RUBBER PLUNGER				*		1	
6		WP1602616SZ		WASHER 16X24X2.6				*		1	
7		WP0550800SP		WASHER 5.5X10X0.8						3	
8		SM4051055SP		SCREW						3	
9		WP0551016SH		WASHER 5.5X13X1						1	
10		NM6050001SP		NUT M5						2	
11		WS0610002KN		SPRING WASHER 6.1X12.2X1.5						1	
12		40095844		REVERSE FEED ARM ASM.						1	
13		40086698		REVERSE_FEED_ARM				*		1	
14		SM6051602TP		SCREW M5X0.8 L=16				*		1	
15		23631757		REVERSE FEED SWITCH ASM.						1	
16		23632102		REVERSE FEED SWITCH BASE GUIDE				*		1	
17	R	23632359	23631757	REVERSE FEED CORD ASM.				*		1	1.00
18		EA9500B0100		CABLE BAND				*		1	
19		SS7110740TP		SCREW 11/64-40 L=7				*		1	
20		23631708		REVERSE FEED SWITCH COVER				*		1	
21		23631807		REVERSE FEED SWITCH SHAFT				*		1	
22		23631906		REVERSE FEED SWITCH SUPPORT				*		1	
23	R	23632003	23631757	REVERSE FEED SWITCH BASE				*		1	1.00
24		SM4051055SP		SCREW						1	
25		23632656		OPTIONSWITCHASM.	OPTIONAL PARTS					1	
26		23632102		REVERSE FEED SWITCH BASE GUIDE				*		1	
27		23632250		REVERSE FEED CORD ASM.				*		1	
28		EA9500B0100		CABLE BAND				*		1	
29		SS7110740TP		SCREW 11/64-40 L=7				*		1	
30		23631708		REVERSE FEED SWITCH COVER				*		1	
31		23631807		REVERSE FEED SWITCH SHAFT				*		1	
32		23631906		REVERSE FEED SWITCH SUPPORT				*		1	
33		23632607		OPTION SWITCH BASE				*		1	
34		40086655		REVERSE_FEED_CONNECTION_LINK						1	
35		40086699		REVERSE_FEED_LINK_PIN						1	
36		SM8480652TP		SCREW						1	
37		40086759		BACK_SOLENOID_PLUNGER_PIN						1	

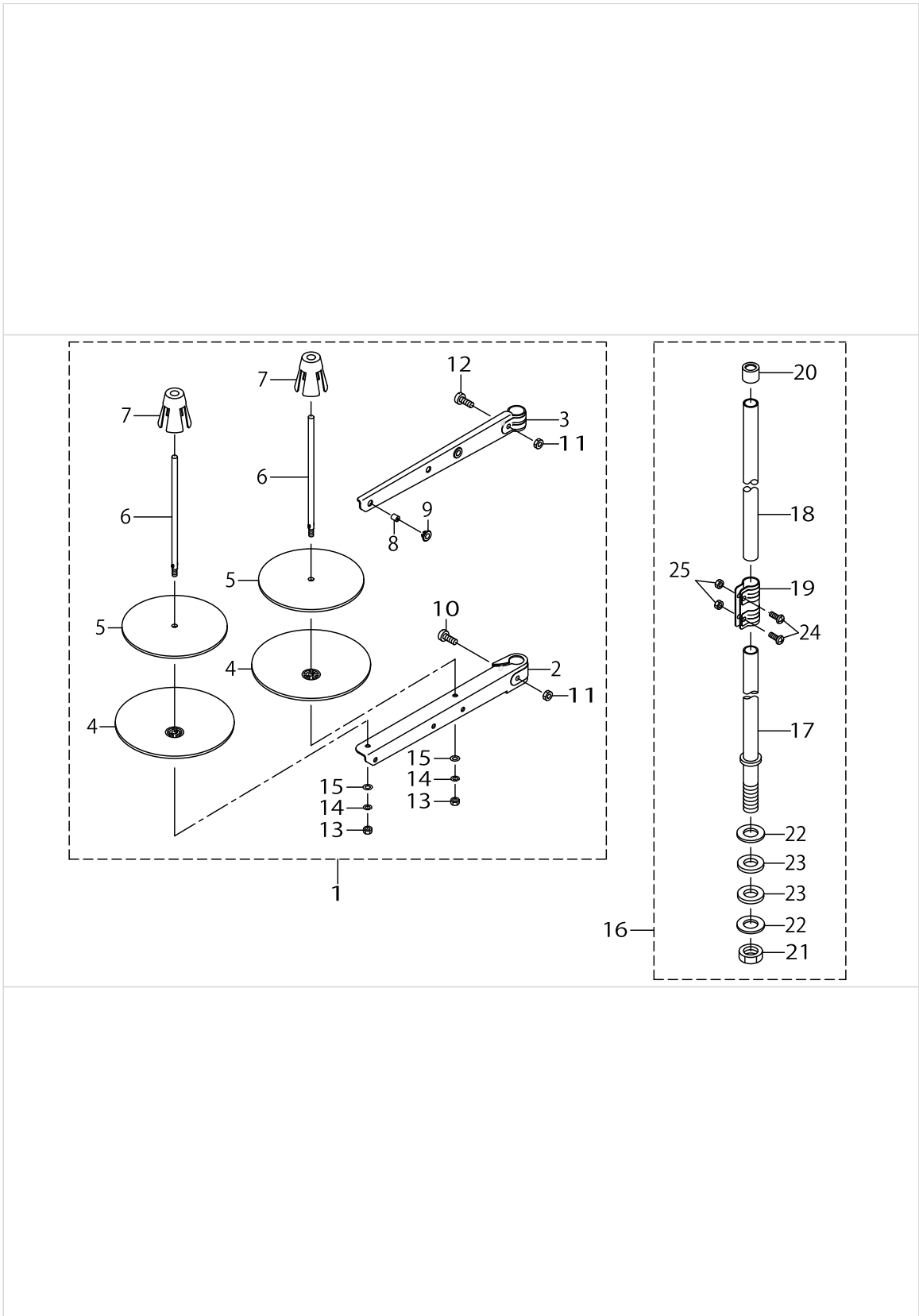
WIPER COMPONENTS (FOR DDL-9000B-**-WB)



WIPER COMPONENTS (FOR DDL-9000B-**-WB)

No.	Supply Code	Parts No.	Replacement	Parts name	Remarks	Choice	Step	Level	Cons	Qty	Rep. QTY
1		40086676		WIPER ASM.						1	
2		40077853		WIPER BASE ASM.				*		1	
3		40086723		WIPER LINK B				*		1	
4		40086724		WIPER SHAFT ASM.				*		1	
5		40095175		WIPER_SOLENOID_ASM.				*		1	
6		40089264		WIPER SOLENOID				*		1	
7		HK03464000B		PIN CONTACT				*		2	
8		HW500070000		2-CORE CABTYRE CORD				*		1.3	
9		22956106		WIPER LINK A				*		1	
10		22956205		WIPER HINGE SCREW COLLAR				*		1	
11		22956304		WIPER SPRING				*		1	
12		22956809		WIPER COLLAR				*		1	
13		22956908		WIPER LINK B HINGE SCREW				*		1	
14		22957005		WIPER				*		1	
15		22957203		WIPER LINK COLLAR				*		1	
16		40077852		WIPER SOLENOID SHAFT				*		1	
17		40086678		WIPER_SW_RUBBER				*		1	
18		22955900		WIPER RUBBER A				*		1	
19		40086717		FELT_B				*		1	
20		22956007		WIPER RUBBER B				*		1	
21		NS6090310SP		NUT 9/64-40				*		1	
22		NS6110310SP		NUT 11/64-40				*		1	
23		RC0370411KP		RETAINING RING				*		1	
24		RE0500000K0		E-RING				*		1	
25		SD0650321TP		HINGE SCREW D=6.5 H=3.2				*		1	
26		SL4030631SC		SCREW M3X6				*		1	
27		SL4030641SE		SCREW				*		3	
28		SS6090540SP		SCREW 9/64-40 L=5.0				*		1	
29		40077851		WIPER SOLENOID SHAFT GUIDE				*		1	
30		SS4110615SP		SCREW 11/64-40 L=6				*		2	
31		40086680		WIPER_STOPPER_RUBBER HOLDER				*		1	
32		40086679		WIPER_STOPPER_RUBBER				*		1	
33		WP0661016SP		WASHER				*		1	
34		WP0651001SC		WASHER				*		1	
35		40086716		FELT_A				*		1	
36		22955504		WIPER COVER				*		1	
37		SM4051055SP		SCREW				*		1	

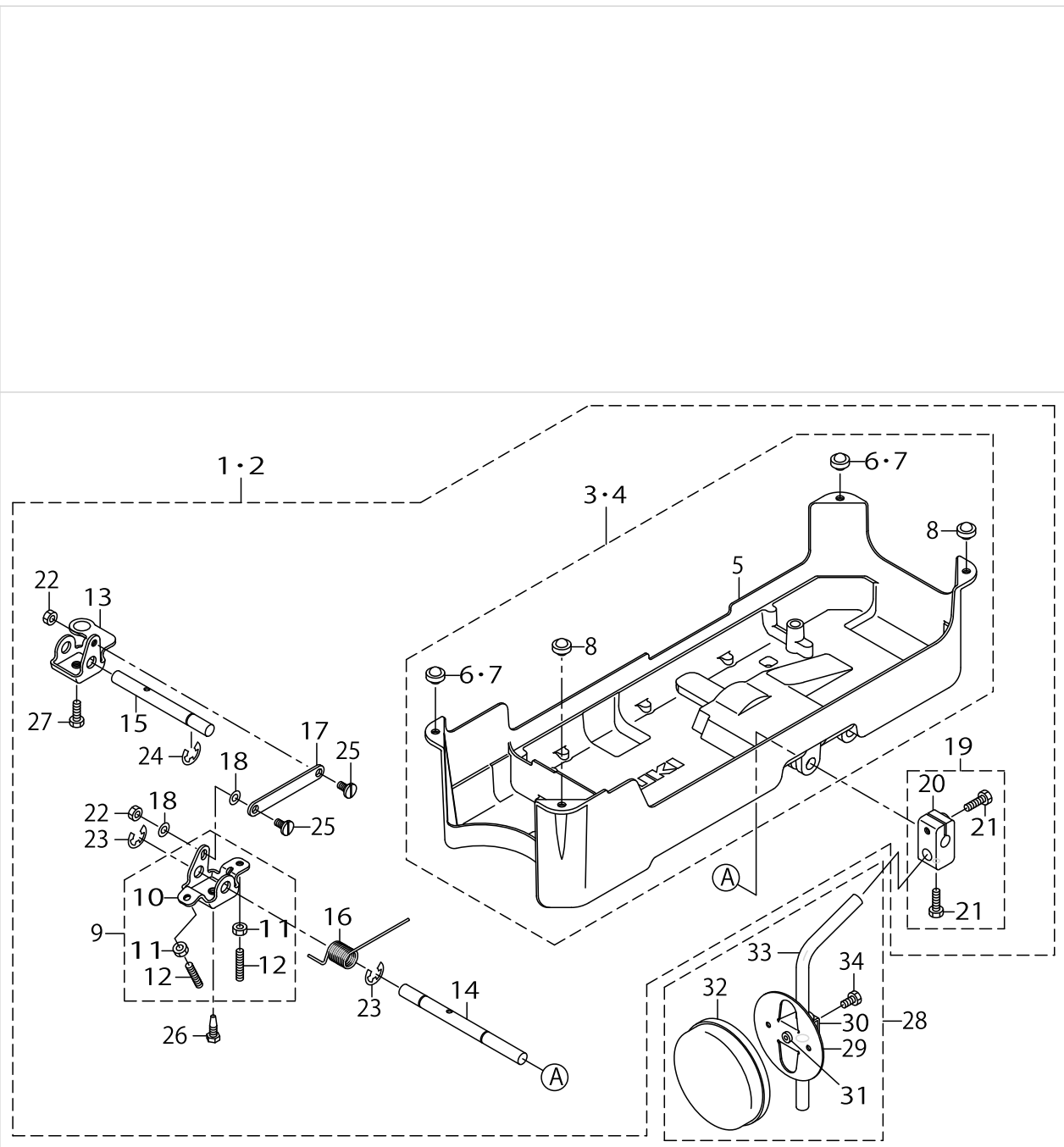
THREAD STAND COMPONENTS



THREAD STAND COMPONENTS

No.	Supply Code	Parts No.	Replacement	Parts name	Remarks	Choice	Step	Level	Cons	Qty	Rep. QTY
1		40108402		THRED_STAND_B						1	
2		40085786		SPOOL REST ARM (LOWER)				*		1	
3		40085787		SPOOL REST ARM (UPPER)				*		1	
4		40085788		SPOOL REST				*		2	
5		40085789		SPOOL REST CUSHION				*		2	
6		40085790		SPOOL PIN				*		2	
7		40085791		SPOOL RETAINER				*		2	
8		40085794		THREAD GUIDE				*		2	
9		40085795		THREAD GUIDE BUSHING				*		2	
10		40096326		SPOOL REST ARM LOWER SCREW				*		1	
11		NM6050001SE		NUT M5				*		2	
12	R	40096327	SM4053001SE	SPOOL REST ARM UPPER SCREW				*		1	1.00
13		NM6050001SE		NUT M5				*		2	
14		WS0510002KN		SPRING WASHER M5				*		2	
15		WP0531001SC		WASHER M5				*		2	
16		40108401		THREAD_STAND_A						1	
17		40085784		SPOOL REST ROD LOWER				*		1	
18		40085785		SPOOL REST ROD UPPER				*		1	
19		40085792		SPOOL REST ROD JOINT				*		1	
20		40085793		SPOOL REST ROD RUBBER CAP				*		1	
21		40096325		SPOOL REST ROD NUT				*		1	
22		WP1612616SE		WASHER 16X30X2.6				*		2	
23		40085796		SPOOL REST ROD RUBBER CUSHION				*		2	
24		SM4051405SE		SCREW M5 L=14				*		2	
25		NM6050001SE		NUT M5				*		2	

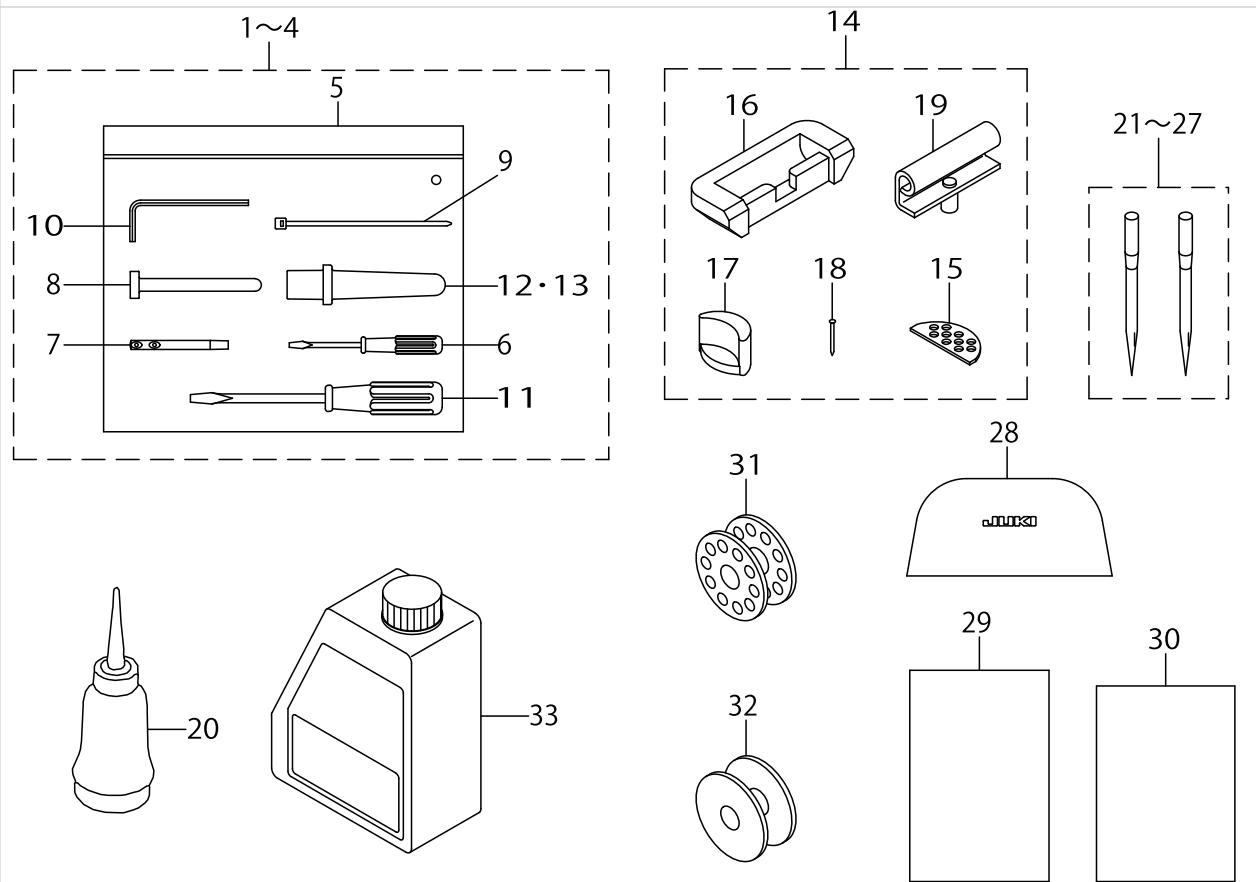
UNDER COVER COMPONENTS



UNDER COVER COMPONENTS

No.	Supply Code	Parts No.	Replacement	Parts name	Remarks	Choice	Step	Level	Cons	Qty	Rep. QTY
1		40089665		UNDER COVER AH ASM.	FOR DDL--9000B-SH					1	
2		40062321		UNDERCOVERAASM.	EXCEPT D-DL-9000B-SH					1	
3		40089671		UNDER COVER BH ASM.	FOR DDL--9000B-SH			*		1	
4	R	40062323	40062322	UNDERCOVERBASM.	EXCEPT D-DL-9000B-SH			*		1	1.00
5	R	23639008	40062321	UNDER COVER				*		1	1.00
6	R	22932008	11047107	RUBBER CUSHION	FOR DDL--9000B-SH			*		2	1.00
7		B1116210D00		FRAME SUPPORT RUBBER	EXCEPT D-DL-9000B-SH			*		2	
8		B1116210D00		FRAME SUPPORT RUBBER				*		2	
9		23639156		BRACKET ASM.				*		1	
10	R	23639107	23639156	BRACKET				*		1	1.00
11		NM6060001SE		NUT M6				*		2	
12		SM8063012TR		SCREW M6 L=30				*		2	
13		23639206		CONNECTING ROT				*		1	
14		23639305		KNEE PRESS ROD				*		1	
15		23639404		SHAFT				*		1	
16		23639503		SPRING				*		1	
17		23639602		CONNECTING ROD				*		1	
18		WP0650876SD		WASHER 6.5X13X0.8				*		2	
19		22932453		BRACKET ASM.				*		1	
20	R	22932404	22932453	BRACKET				*		1	1.00
21	R	SM9062053SR	22934707	SCREW M6 L=20				*		2	1.00
22		NS6150310SP		NUT 15/64-28				*		2	
23		RE1000000K0		E-RING 10				*		2	
24		RE1000000K0		E-RING 10				*		1	
25		SD0720331SP		HINGE SCREW D=7.24 H=3.3				*		2	
26		SM9061853SR		SCREW M6 L=17.5				*		1	
27		SM9061853SR		SCREW M6 L=17.5				*		1	
28		22934251		KNEE PAD PLATE ASM.						1	
29		22934202		KNEE PAD PLATE				*		1	
30		22934301		KNEE PAD PLATE SUPPORT				*		1	
31		22934400		KNEE PAD PLATE RUBBER				*		1	
32		22934509		KNEE PAD PLATE COVER				*		1	
33		22934608		KNEE PAD UPRIGHT SHAFT				*		1	
34		SM9061203SE		SCREW M6 L=12				*		1	

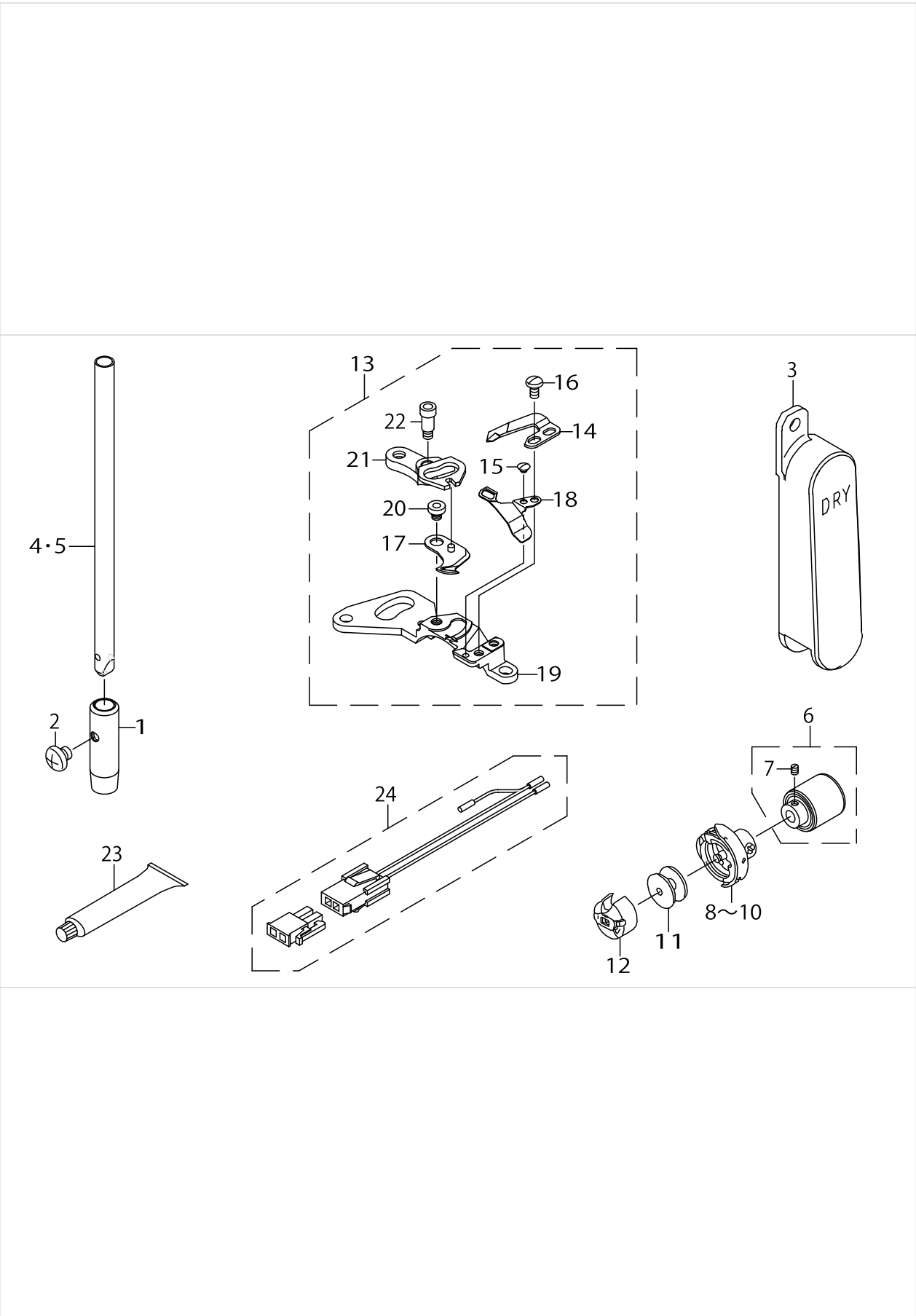
ACCESSORIE PART COMPONENTS



ACCESSORIE PART COMPONENTS

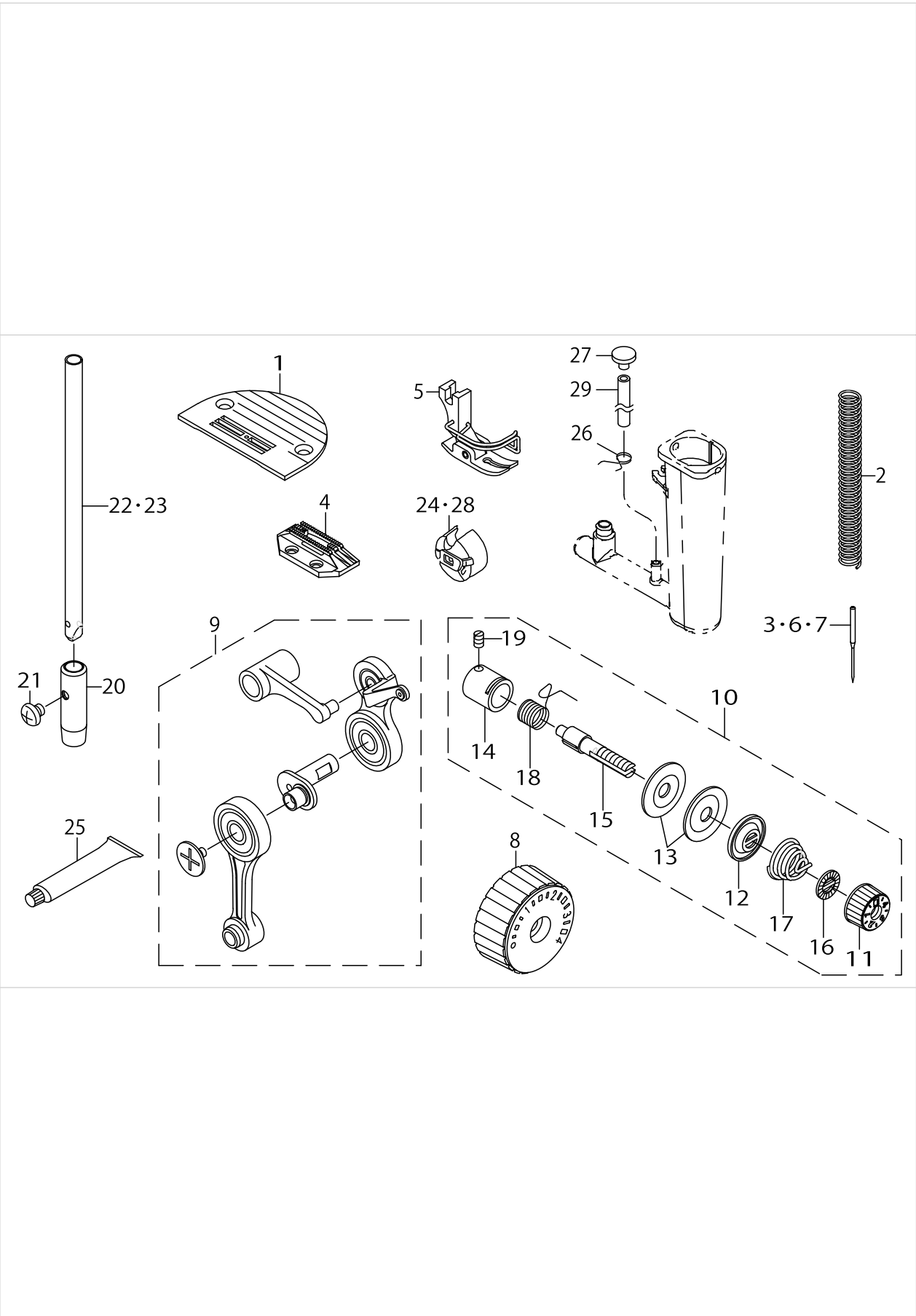
No.	Supply Code	Parts No.	Replacement	Parts name	Remarks	Choice	Step	Level	Cons	Qty	Rep. QTY
1		40089663		ACCESSORIE BAG ASM.	EXCEPT TYPE AK					1	
2		40091140		ACCESSORIE BAG AK ASM.	TYPE AK					1	
3		40099736		ACCESSORIE BAG ASM. 2	FOR CHINA (EXCEPT TYPE AK)					1	
4		40099737		ACCESSORIE BAG AK ASM. 2	FOR CHINA (TYPE AK)					1	
5		22932800		ACCESSORIE BAG				*		1	
6		22933204		SCREW DRIVER (SMALL)	EXCEPT CHINA			*		1	
7		22502504		THREAD GUIDE BAR				*		1	
8		23639701		KNEE LIFTER PRESSER ROD				*		1	
9		EA9500B0100		CABLE BAND				*		1	
10		40055591		HEXAGONAL WRENCH KYE				*		1	
11		22933105		SCREW DRIVER (MIDDLE)	EXCEPT CHINA			*		1	
12		22931604		FRAME SUPPORT BAR	EXCEPT TYPE AK			*		1	
13		40024081		HEAD SUPPORT ROD	TYPE AK			*		1	
14		22958052		RUBBER HINGE ASM.						1	
15	R	22926505	D8226555E00	WASHER				*		2	1.00
16	R	22926000	22958052	RUBBER CUSHION				*		2	1.00
17	R	22958003	11075900	FRAME BUBBER CUSHION				*		2	1.00
18	D	22926208		NAIL				*		8	
19	R	22926356	22958052	HINGE COMPL.				*		2	1.00
20		B91210120A0		OILER ASM.						1	
21		MDB100B1100		NEEDLE DBX1 #11	VARIOUS NOS.FOR DESTINATIONS					1	
22		MDB100B0900		NEEDLE DBX1 #9	VARIOUS NOS.FOR DESTINATIONS					1	
23		MDB100B2100		NEEDLE DBX1 #21	VARIOUS NOS.FOR DESTINATIONS					1	
24		MDB100B1400		NEEDLE DBX1 #14	VARIOUS NOS.FOR DESTINATIONS					1	
25		MC200501300		NEEDLE 134 NM130	VARIOUS NOS.FOR DESTINATIONS					1	
26		MC200500650		NEEDLE 134 NM65	VARIOUS NOS.FOR DESTINATIONS					1	
27		MC200500750		NEEDLE 134 NM75	VARIOUS NOS.FOR DESTINATIONS					1	
28		40135803		HEAD COVER						1	
29		40089323		DDL-9000B SETUP DOCUMENT	EXCEPT CHINA					1	
30		CM600100201		WEEE INFORMATION SHEET	VARIOUS NOS.FOR DESTINATIONS					1	
31	R	B9117012000	22932909	BOBBIN	VARIOUS NOS.FOR DESTINATIONS					1	1.00
32		22964001		BOBBIN A	VARIOUS NOS.FOR DESTINATIONS					1	
33	D R	40102087	MDFRX1600C0	JUKI_MACHINE_OIL_7	EXCEPT CHINA					1	1.00

EXCLUSIVE PARTS DDL-9000B DS



EXCLUSIVE PARTS DDL-9000B DS

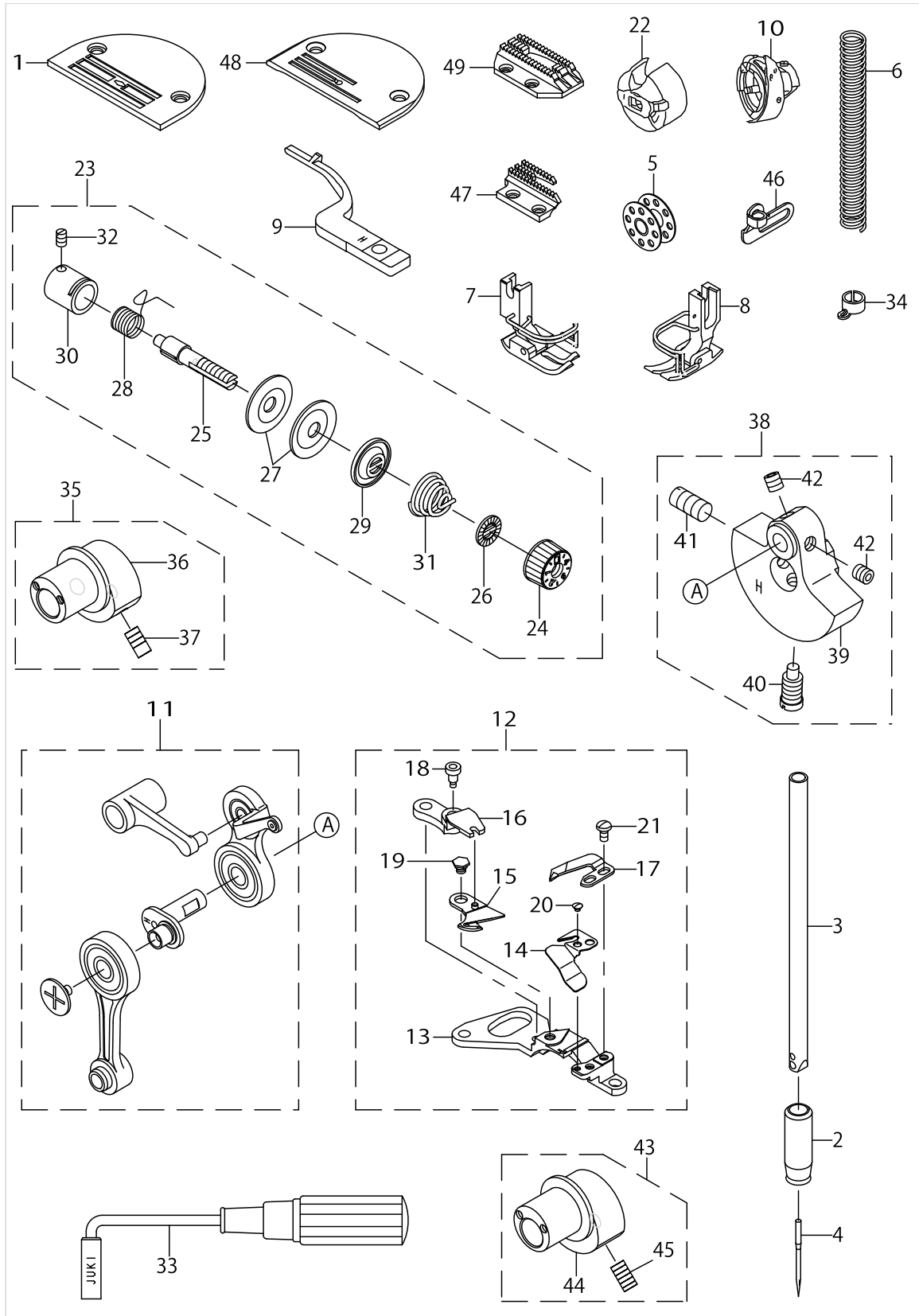
No.	Supply Code	Parts No.	Replacement	Parts name	Remarks	Choice	Step	Level	Cons	Qty	Rep. QTY
1		40086605		NEEDLE_BAR_LOWER_METAL_MD						1	
2		SM4050501SC		SCREW M5X0.8 L=5						1	
3		40037146		FLOATER SIGHT WINDOW D						1	
4		40086604		NEEDLE_BAR_D.(B)	FOR DDL-- 9000B-DS BB					1	
5		40086602		NEEDLE_BAR_D.(A)	FOR DDL-- 9000B-DS AA,EE,GG					1	
6		40089274		HOOK_SHAFT_FRON- T_BEARING_COMPL.						1	
7		SS6110420TP		SCREW 11/64-40 L=4.8				*		2	
8		22890404		RP HOOK C	FOR DDL-- 9000B-DS BB				☆	1	
9		22890206		RP HOOK	FOR DDL-- 9000B-DS EE,GG				☆	1	
10		22890305		RP HOOK S	FOR DDL-- 9000B-DS AA				☆	1	
11		22964001		BOBBIN					☆	1	
12		22896252		BOBBIN CASE ASM.					☆	1	
13		40050586		KNIFE UNIT D						1	
14		22895908		COUNTER KNIFE				*	☆	1	
15		SS2060210SP		SCREW 3/32-56 L=2.3				*		1	
16		SS4080620TP		SCREW 1/8-44 L=6				*		2	
17		11040052		MOVING KNIFE ASM.				*	☆	1	
18		40050588		THREAD GUIDE FOR KNIFE D				*	☆	1	
19		22947907		KNIFE MOUNTING BASE				*		1	
20		11040409		MOVING KNIFE HINGE SCREW				*		1	
21		22896005		FORKED BASE FOR KNIFE				*		1	
22		SD0460703TP		HINGE SCREW D=4.6 H=7				*		1	
23		40006323		JUKI GREASE A TUBE	FOR OPTI- ONAL PARTS					1	
24		40050581		JOINT_CABLE_ASM.						1	



EXCLUSIVE PARTS DDL-9000B MS,MA

No.	Supply Code	Parts No.	Replacement	Parts name	Remarks	Choice	Step	Level	Cons	Qty	Rep. QTY
1		11001906		THROAT PLATE K	FOR DDL-- 9000B-MA EE					1	
2		11162104		SPRING	FOR DDL-- 9000B-MA					1	
3		MDB100B1100		NEEDLE DBX1 #11	FOR DDL-- 9000B-MA GG				☆	1	
4		D1613155W00		FEED DOG W	FOR DDL-- 9000B-MA EE					1	
5		D1524555DBB		PRESSER FOOT ASM.	FOR DDL-- 9000B-MA AA,BB,EE					1	
6		MDB100B0900		NEEDLE DBX1 #9	FOR DDL-- 9000B-MA AA,EE				☆	1	
7		MC200500650		NEEDLE 134 NM65	FOR DDL-- 9000B-MA BB				☆	1	
8		40141843		REGULATOR PIN DIAL 4	FOR DDL-- 9000B-MA					1	
9		40037439		THREAD TAKE UP COMP. A	FOR DDL-- 9000B-MA					1	
10		40037479		THREAD TENSION DISK ASM. A	FOR DDL-- 9000B-MA					1	
11		23626005		THREAD TENSION NUT				*		1	
12		B3132552000		THREAD TENSION DISK PRESSER				*		1	
13	R	B3126012000	22921506	THREAD TENSION DISK				*		2	1.00
14		40024845		TENSION POST SOCKET ASM.				*		1	
15		B3115552000		TENSION POST				*		1	
16		B3120125000		ROTATING STOPPER				*		1	
17		D3129555D00		THREAD TENSION SPRING				*		1	
18		D3128555D00		TAKE-UP SPRING				*	☆	1	
19		SS8090670SP		SCREW 9/64-40 L=5.5				*		1	
20		40086605		NEEDLE_BAR_LOWER_METAL_MD						1	
21		SM4050501SC		SCREW M5X0.8 L=5						1	
22		40086604		NEEDLE_BAR_D_(B)	FOR DDL-- 9000B-MS MA,BB					1	
23		40086602		NEEDLE_BAR_D_(A)	FOR DDL-- 9000B-MS MA,AA,EE,GG					1	
24		40000264		BOBBIN CASE ASM.	FOR DDL-- 9000B-MA					1	
25		40006323		JUKI GREASE A TUBE	OPTIONAL PARTS					1	
26		23629306		PIPE STOPPER A						1	
27		40042086		CAP						1	
28		11038759		BOBBIN CASE ASM.	FOR DDL-- 9000B-MS					1	
29		23630007		TUBE						.07	

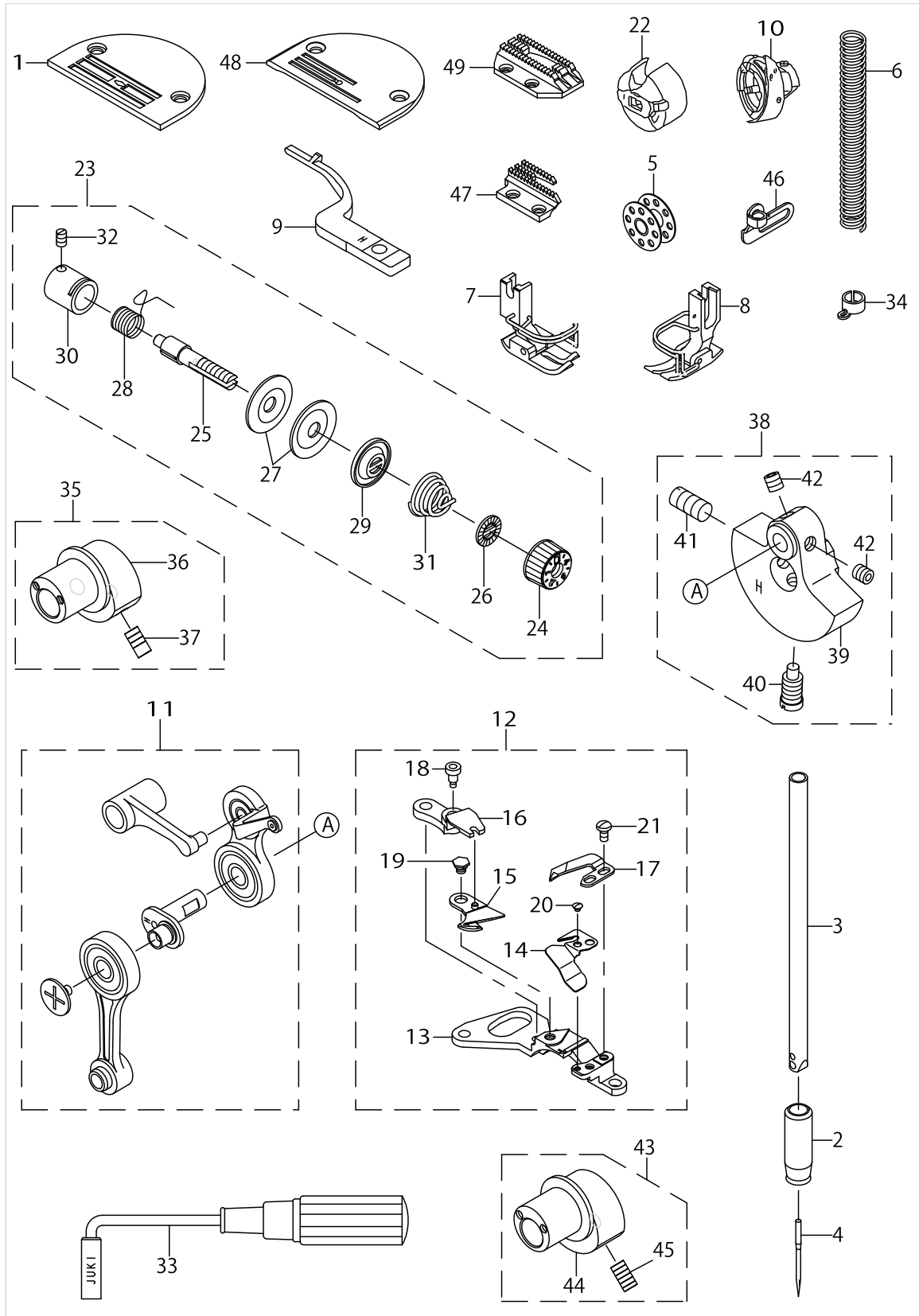
EXCLUSIVE PARTS DDL-9000B SH



EXCLUSIVE PARTS DDL-9000B SH

No.	Supply Code	Parts No.	Replacement	Parts name	Remarks	Choice	Step	Level	Cons	Qty	Rep. QTY
1		40089605		THROAT_PLATE_J	FOR AA,BB,EE					1	
2		40107708		NEEDLE_BAR_METAL_LOWER_H						1	
3		40061767		NEEDLE BAR H						1	
4		MDB100B2100		NEEDLE DBX1 #21	FOR AA,GG,EE				☆	1	
5	R	B9117012000	22932909	BOBBIN						1	1.00
6		B1505552000A		PRESSER SPRING						1	
7	R	D1524555EBL	D1524555ECL	PRESSER FOOT ASM.	FOR AA,BB,EE					1	1.00
8		40064839		PRESSER FOOT ASM.						1	
9		40089610		INNER_HOOK HOLDER_H						1	
10		11092251		LUBRICATING BOBBIN ASM.					☆	1	
11		40055604		THREAD TAKE UP COMP. H						1	
12		40050587		KNIFE UNIT H						1	
13		11095502		KNIFE MOUNT BASE				*		1	
14		40044190		THREAD_GUIDE_FOR_KNIFE H				*	☆	1	
15		11409257		MOVING KNIFE J ASM.				*	☆	1	
16		40009894		FORKED BASE FOR KNIFE				*		1	
17		40050589		FIX KNIFE H				*	☆	1	
18		SD0460703TP		HINGE SCREW D=4.6 H=7				*		1	
19		SD0500131TP		HINGE SCREW D=5 H=1.25				*		1	
20		SS2060210SP		SCREW 3/32-56 L=2.3				*		1	
21		SS4080620TP		SCREW 1/8-44 L=6						2	
22		40000264		BOBBIN CASE ASM.					☆	1	
23		40037313		THREAD TENSION DISK ASM. H						1	
24		23626005		THREAD TENSION NUT				*		1	
25		B3115552000		TENSION POST				*		1	
26		B3120125000		ROTATING STOPPER				*		1	
27	R	B3126012000	22921506	THREAD TENSION DISK				*		2	1.00
28	R	B3128012000	22921605	TAKE-UP SPRING				*	☆	1	1.00
29		B3132552000		THREAD TENSION DISK PRESSER				*		1	
30		40024845		TENSION POST SOCKET ASM.				*		1	
31		B3114232000		THREAD TENSION SPRING				*		1	
32		SS8090670SP		SCREW 9/64-40 L=5.5				*		1	
33		J1063000000		WRENCH	OPTIONAL PARTS					1	
34		40024124		NEEDLE BAR THREAD GUIDE						1	
35		23619059		VERTICAL FEED CAM H ASM.						1	
36	R	23619000	23619059	VERTICAL FEED CAM H				*		1	1.00
37		SS8151150TP		SCREW 15/64-28 L=10.5				*		2	
38		40055058		ASSY COUNTER WEIGHT H						1	
39		40053411		COUNTER WEIGHT H				*		1	
40		40004171		COUNTER_WEIGHT_SCREW				*		1	
41		SM8081652TP		SCREW M8 L=16				*		1	
42		SM80606A2TP		SCREW M6 L=6				*		2	
43		40069369		VERTICAL FEED CAM ASM. 2.0	OPTIONAL PARTS					1	
44		40069370		VERTICAL FEED CAM 2.0				*		1	
45		SS8151150TP		SCREW 15/64-28 L=10.5				*		2	
46		40063697		ARM THREAD GUIDE A H						1	

EXCLUSIVE PARTS DDL-9000B SH



EXCLUSIVE PARTS DDL-9000B SH

No.	Supply Code	Parts No.	Replacement	Parts name	Remarks	Choice	Step	Level	Cons	Qty	Rep. QTY
47		11062601		FEED DOG	FOR GG					1	
48		11062007		THROAT PLATE A	FOR GG					1	
49		11403003		FEED J	FOR AA,BB,EE					1	

TABLE & STAND COMPONENTS

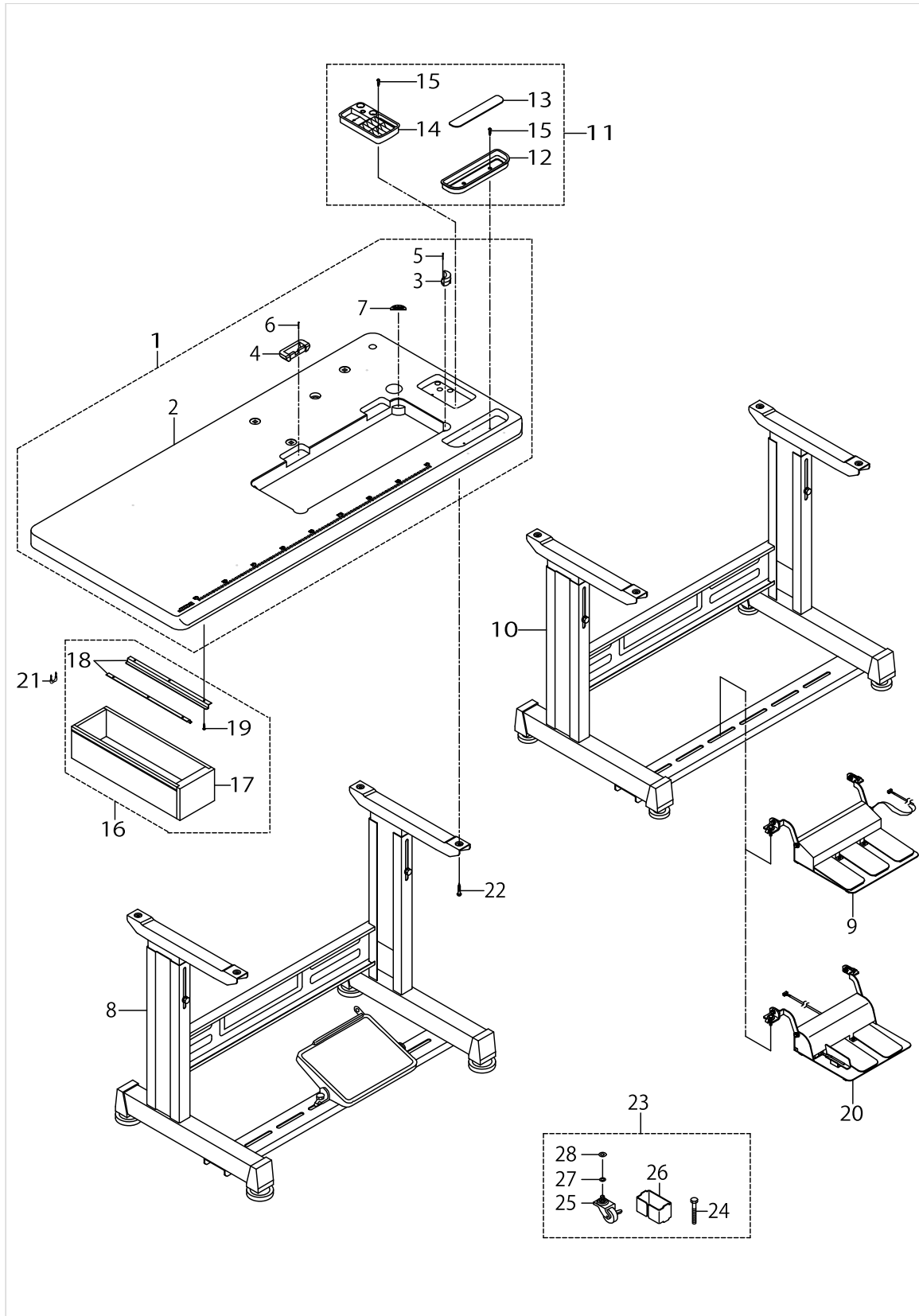
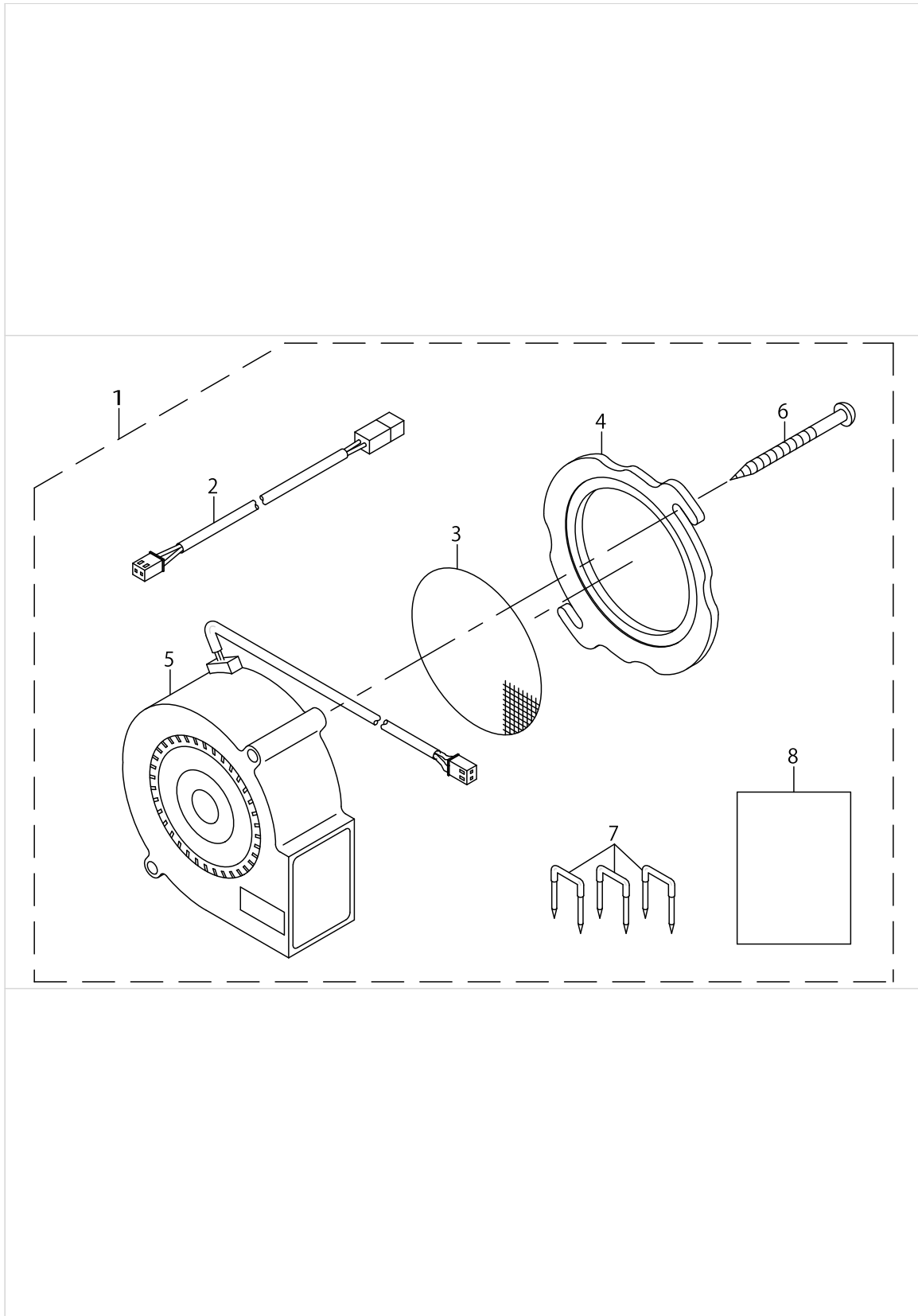


TABLE & STAND COMPONENTS

No.	Supply Code	Parts No.	Replacement	Parts name	Remarks	Choice	Step	Level	Cons	Qty	Rep. QTY
1		23642259		TABLE ASM.						1	
2	R	23642200	23642259	TABLE				*		1	1.00
3		11075900		RUBBER SPACER				*		2	
4		11075801		RUBBER SPACER				*		2	
5		B8210012000		CUSHION SET NAIL				*		4	
6		B8210012000		CUSHION SET NAIL				*		4	
7		D8226555E00		FRAME RUBBER CUSHION A				*		2	
8		11157567		T LEG JUNCTION	FOR JT-D950					1	
9		GPK700010A0		3-JOINT PEDAL 70	FOR JT-D-95A,-D95B					1	
10	R	11157559	11157567	T-STAND ASM.	FOR JT-D-95A,-D95B					1	1.00
11		11155769		SMALL CASTINGS BOX B ASM.						1	
12		11156007		CASE				*		1	
13		11155801		CASE MAGNET				*		1	
14		11155751		CASE ASM. B				*		1	
15		SK3382001SC		WOOD SCREW D=3.8 L=20				*		4	
16		11155157		DRAWER ASM.						1	
17	R	11155108	11155157	DRAWER				*		1	1.00
18		11155207		DRAWER SUPPORT				*		2	
19		SK3311600SE		WOOD SCREW D=3.1 L=16				*		6	
20		GPK710010A0		2-PEDAL ASM. 71	FOR JT-D-95A,-D95B					1	
21		D8204555D00		DRAWER STOPPER						1	
22	R	SK3513200SC	SK3513201SE	WOOD SCREW D=5.1 L=32						4	1.00
23		11159456		CASTER ASM.	OPTIONAL PARTS					1	
24		SM9086523SE		HEXAGONAL BOLT				*		2	
25		11159407		CASTER				*		4	
26		11159506		STRUT AUXILIARY PLATE				*		2	
27		WS0861410KR		SPRING WASHER 8.6X15X1.4				*		2	
28		WP0871602SE		WASHER 8.7X18X1.6				*		2	

SPECIAL ORDER PART



SPECIAL ORDER PART

No.	Supply Code	Parts No.	Replacement	Parts name	Remarks	Choice	Step	Level	Cons	Qty	Rep. QTY
1		40065571		ELECTRIC FAN HO- OK COOLING DEVICE						1	
2		40044065		FAN_RELAY_CABLE				*		1	
3		40064805		FAN FILTER				*		1	
4		40064806		FANCOOLINGCOVER				*		1	
5		40065564		FAN MOTOR ASSY				*		1	
6		SK3415001SE		SCREW D=4.1 L=50				*		2	
7		MA011532000		CORD STAPLE				*		3	
8		40065572		HOOK COOLING DE- VICE INSTRUCTION MANUAL				*		1	

LIST FOR INFORMATION OF CHANGE (1)

As to the place changed, refer to the corresponding Rev.No.
 When previous parts(Obsoleted part)and new parts(Added parts)are
 not interchangeable with each other:
 In this case,even obsoleted parts(D.)can be ordered with the
 obsoleted part number,so select the parts with changed dates and
 place your orders.

変更箇所は、該当Rev.No.版をご参照ください。
 部品の互換性がない変更の場合は、削除された品番でも、ご注文できます。

No.1532-04 Rev.No.

*A:Added parts追加部品/D:Obsoleted parts削除部品/E:Erratum訂正

* Rev. No.	Page 頁	Ref. No.	Parts No. 品番	* Rev. No.	Page 頁	Ref. No.	Parts No. 品番
D 03	6	2	400-37003	A 04	6	2	401-35904
D 03	6	3	400-25729	A 04	6	3	401-35916
D 03	6	7	400-86733	A 04	6	7	401-50011
D 03	6	8	SB-1200027-00				
D 03	6	9	400-44857				
D 03	6	10	236-05207				
D 03	6	18	400-20454	A 04	6	18	401-36292
D 03	6	19	400-20455	A 04	6	19	401-36293
D 03	6	20	SM-8051610-SP	A 04	6	20	SM-80506A2-TP
D 03	6	22	400-86729	A 04	6	22	401-41440
D 03	6	26	401-07708	A 04	6	26	401-07707
D 03	6	37	400-37370	A 04	6	37	401-35900
D 03	6	38	400-90527				
D 03	6	41	SB-3070002-00				
D 03	6	42	SB-3070002-0A				
D 03	6	43	SB-3070002-0B				
D 03	6	44	SB-3070002-0C				
D 03	6	45	SB-3070002-0D				
D 03	6	51	400-90529				
D 03	6	52	400-90528				
D 03	6	53	228-91204				
D 03	6	55	RE-0600000-K0				
				A 04	6	38	401-35905
				A 04	6	39	401-41165
				A 04	6	40	401-35906
				A 04	6	41	401-43184
				A 04	6	42	401-35907
				A 04	6	43	RE-0300000-K0
D 03	8	1	236-09001	A 04	8	1	401-36700
D 03	10	31	401-41839	A 04	10	31	401-61440
D 03	10	44	401-41837	A 04	10	44	401-61441
D 03	12	35	SS-6110650-TP	A 04	12	35	SS-6110710-TP
D 03	12	58	236-20206	A 04	12	58	401-45927
D 03	12	67	D1837-555-BAA-A	A 04	12	67	110-38759
D 03	12	81	400-86730	A 04	12	81	401-41443
D 03	14	15	SS-6090510-TP	A 04	14	15	SS-6090670-TP

HOW TO MAKE USE OF THIS PARTS LIST

1.Explanation of codes

1)"*"mark.....means this part is changed from the previous parts book.

As to the details of the change, refer to the "List for information of change".

2)"#01".....refer to "Note" explanation at bottom of page.

2.Codes on the "Qty" column

- Each numeral indicates the number of parts required.
- "0.1" and "2.5" indicate the length (in meters) of the respective parts.

3.Parentheses mean that the corresponding part is a subpart that constructs an assembly part.

4.Dotted lines on the Figures indicate assembly parts.

5.As to the parts with marks of "☆"(consumable parts) and "◎"(optional parts)on the respective parts, it is recommended to prepare spares.

Sign	Place of destination
GG	China
BB	Europe
EE	Japan
AA	excludes China,Europe and Japan

1."注記"欄の記号説明

1) "*"印.....前回のパーツブックに比較して今回変更された部品を意味します。

変更内容は、"変更情報リスト"を参照してください。

2) "#01".....ページ下の"注記"の説明を参照してください。

2.数量欄の数字は、個数を表し、0.1、2.5等の数値は、長さ（単位メートル）を表します。

3.数量欄の（ ）は、組部品を構成している子部品であることを意味します。

4.イラストページの-----枠は、組構成であることを意味します。

5.リストページの"☆"（消耗部品）、"◎"（オプション部品）の印がついた部品は、予備を準備しておくことをお奨めします。

記号	仕向地
GG	中国
BB	ヨーロッパ
EE	日本
AA	中国、ヨーロッパ、日本を除く

NUMERICAL INDEX OF PARTS

PART NO	PAGE	REF NO.	PART NO	PAGE	REF NO.	PART NO	PAGE	REF NO.
10618304	26	32	22896252	44	12	22932800	42	5
11001906	46	1	22901201	2	14·15	22933105	42	11
11015906	24	61	22901250	2	12·13	22933204	42	6
11028008	4	85·86	22901300	2	16·17	22934202	40	29
11038650	24	68·69	22901805	4	81	22934251	40	28
11038759	24	67	22902506	2	30	22934301	40	30
11038759	46	24·28	22902704	2	14·15	22934400	40	31
11040052	26	2	22902753	2	12·13	22934509	40	32
11040052	44	17	22904106	22	23	22934608	40	33
11040409	26	5	22904155	22	22	22944508	2	21
11040409	44	20	22906309	10	9	22944508	14	34
11043304	26	20	22906408	10	30	22945414	4	62
11062007	50	48	22906457	10	29	22945604	4	63
11062601	50	47	22907406	14	15	22945703	4	65
11075801	52	4	22907802	14	22	22945802	4	66
11075900	52	3	22908008	14	8	22947907	26	4
11079506	24	84	22908552	14	24	22947907	44	19
11092251	48	10	22908909	14	29	22948202	26	6
11095502	48	13	22910509	18	11	22950000	28	74
11141355	24	68·69	22911002	22	13	22951552	2	8
11155108	52	17	22911101	22	6	22952501	18	27
11155157	52	16	22916506	24	60	22955504	36	36
11155207	52	18	22916555	24	59	22955900	36	18
11155751	52	14	22920300	14	40	22956007	36	20
11155769	52	11	22920409	16	41	22956106	36	9
11155801	52	13	22920607	4	60	22956205	36	10
11156007	52	12	22921209	4	51	22956304	36	11
11157559	52	10	22921308	8	25	22956809	36	12
11157567	52	8	22921407	4	52	22956908	36	13
11159407	52	25	22921407	8	27	22957005	36	14
11159456	52	23	22921506	4	53	22957203	36	15
11159506	52	26	22921506	8	28	22958003	42	17
11162104	46	2	22921605	4	54	22958052	42	14
11403003	50	49	22921704	4	55	22963409	4	64
11409257	48	15	22921704	8	29	22963458	4	61
13170105	30	6	22921803	4	56	22964001	24	72
13171004	30	5	22925101	30	24	22964001	42	32
22502504	42	7	22926000	42	16	22964001	44	11
22886907	10	27·28	22926208	42	18	23600505	2	4
22887004	10	27·28	22926356	42	19	23601305	4	84
22890206	44	8~10	22926505	42	15	23608003	10	25
22890305	44	8~10	22931604	42	12·13	23609308	14	12
22890404	44	8~10	22932008	40	6·7	23609357	14	5
22895908	44	14	22932404	40	20	23609456	14	6
22896005	44	21	22932453	40	19	23609605	14	7

NUMERICAL INDEX OF PARTS

PART NO	PAGE	REF NO.	PART NO	PAGE	REF NO.	PART NO	PAGE	REF NO.
23609704	14	14	23630007	46	29	40000264	46	24·28
23610207	14	16	23630106	30	22	40000264	48	22
23610306	14	17	23630403	30	34	40000344	30	46
23610504	16	48	23630502	30	35	40000391	22	37
23610652	16	49	23631708	34	30	40000392	22	38
23610702	16	51	23631757	34	15	40004171	10	4
23611106	16	47	23631807	34	31	40004171	48	40
23612609	18	25	23631906	34	32	40006323	44	23
23613409	18	39	23632003	34	23	40006323	46	25
23613706	18	16	23632102	34	26	40006716	20	46
23614506	22	26	23632250	34	27	40009894	48	16
23616006	22	2	23632359	34	17	40011144	8	15
23616204	22	20	23632607	34	33	40013595	30	30
23616402	22	32	23632656	34	25	40014837	8	16
23616600	22	33	23638109	4	73	40015671	26	45
23616709	22	14	23638208	4	74	40023021	8	1
23618101	24	47	23638307	4	75	40023022	8	17
23618309	24	52	23638406	4	76	40024081	42	12·13
23619000	48	36	23639008	40	5	40024124	48	34
23619059	48	35	23639107	40	10	40024845	46	14
23620008	24	56	23639156	40	9	40024845	48	30
23620156	24	57	23639206	40	13	40026277	22	5
23620404	24	74	23639305	40	14	40026278	22	31
23620503	24	54	23639404	40	15	40026281	22	16
23620701	24	62~65	23639503	40	16	40026282	22	36
23620800	24	62~65	23639602	40	17	40026287	22	41
23620909	24	62~65	23639701	42	8	40026288	22	43
23621006	24	62~65	23640006	4	47·48	40029398	26	16
23626005	4	50	23642200	52	2	40030786	24	71
23626005	46	11	23642259	52	1	40032269	10	46
23626005	48	24	26226209	28	59	40034246	30	3
23626104	4	69	26260109	8	2	40035589	2	37
23626203	10	33	26260208	8	3	40036706	14	32
23626351	16	42	26260307	8	4	40036997	26	14
23626807	16	43	26260406	8	5	40036998	26	12
23628803	30	40	26260505	8	6	40037005	22	15
23628902	30	36	26260604	8	7	40037006	10	16
23629207	30	8	26260802	8	8	40037007	10	15
23629256	30	7	26261008	8	9	40037008	8	30
23629306	30	10	26261206	8	10	40037141	14	19
23629306	46	26	26261305	8	11	40037144	14	20
23629405	30	11	26261503	8	12	40037146	44	3
23629900	4	82	26261602	8	13	40037158	2	1
23630007	18	23	26261701	8	14	40037166	30	12
23630007	30	19	31256803	26	37	40037192	22	1

NUMERICAL INDEX OF PARTS

PART NO	PAGE	REF NO.	PART NO	PAGE	REF NO.	PART NO	PAGE	REF NO.
40037313	48	23	40069097	2	24	40086631	28	62
40037359	14	18	40069110	2	20	40086632	28	63
40037365	22	4	40069369	48	43	40086633	28	64
40037439	46	9	40069370	48	44	40086634	26	33
40037479	46	10	40075404	30	23	40086635	26	34
40037488	4	47-48	40077851	36	29	40086636	28	48
40037502	30	38	40077852	36	16	40086637	28	72
40038328	30	37	40077853	36	2	40086639	4	49
40041161	2	2	40082059	30	1	40086640	4	57
40042079	22	10	40082078	14	30	40086643	14	38
40042086	46	27	40085784	38	17	40086646	30	32
40044065	54	2	40085785	38	18	40086647	30	33
40044189	26	3	40085786	38	2	40086648	30	15
40044190	48	14	40085787	38	3	40086655	34	34
40050581	44	24	40085788	38	4	40086659	4	71
40050582	14	39	40085789	38	5	40086660	4	72
40050583	14	21	40085790	38	6	40086674	18	17
40050585	26	1	40085791	38	7	40086675	18	18
40050586	44	13	40085792	38	19	40086676	36	1
40050587	48	12	40085793	38	20	40086678	36	17
40050588	44	18	40085794	38	8	40086679	36	32
40050589	48	17	40085795	38	9	40086680	36	31
40051473	10	12	40085796	38	23	40086690	22	45
40051474	10	13	40086597	10	1	40086693	30	41
40052819	2	3	40086602	44	4-5	40086695	18	2
40052933	2	45	40086602	46	22-23	40086696	18	3
40053411	48	39	40086604	44	4-5	40086697	32	48
40053720	22	40	40086604	46	22-23	40086698	34	13
40055058	48	38	40086605	44	1	40086699	34	35
40055591	42	10	40086605	46	20	40086704	18	8
40055604	48	11	40086606	14	2	40086705	18	9
40056622	16	46	40086607	14	3	40086706	18	12
40058504	22	9	40086608	18	5	40086708	28	55
40061215	26	13	40086609	18	22	40086709	28	58
40061246	22	8	40086613	20	45	40086711	26	29
40061767	48	3	40086614	18	14	40086712	28	79
40062321	40	1-2	40086615	18	7	40086713	2	6
40062323	40	3-4	40086616	18	13	40086714	2	34
40063697	48	46	40086617	18	36	40086716	36	35
40064805	54	3	40086618	24	77	40086717	36	19
40064806	54	4	40086621	28	60	40086723	36	3
40064839	48	8	40086622	26	36	40086724	36	4
40065564	54	5	40086623	28	47	40086727	26	27
40065571	54	1	40086624	26	42	40086731	10	24
40065572	54	8	40086628	28	70	40086732	2	33

NUMERICAL INDEX OF PARTS

PART NO	PAGE	REF NO.	PART NO	PAGE	REF NO.	PART NO	PAGE	REF NO.
40086735	18	1	40096325	38	21	B1116210D00	40	8
40086736	18	37	40096326	38	10	B1116804000	26	40
40086737	18	20	40096327	38	12	B1505552000A	48	6
40086738	18	15	40098329	30	31	B1521555000	14	23
40086739	18	21	40098386	4	77	B15240120BA	14	26
40086740	24	70	40099736	42	1~4	B1613012I00	22	25
40086741	24	78	40099737	42	1~4	B3114232000	48	31
40086742	24	79	40102087	42	33	B3115552000	46	15
40086743	22	34	40107707	10	26	B3115552000	48	25
40086744	24	73	40107708	48	2	B3118552F00	16	54
40086746	26	18	40108401	38	16	B3120125000	46	16
40086747	28	53	40108402	38	1	B3120125000	48	26
40086748	26	44	40114043	2	44	B3126012000	46	13
40086750	34	1	40122891	18	42	B3126012000	48	27
40086753	34	3	40123098	18	30	B3128012000	48	28
40086757	22	44	40135639	30	2	B3132552000	46	12
40086759	34	37	40135640	30	13	B3132552000	48	29
40086760	14	13	40135803	42	28	B412352200A	22	28~30
40088958	8	24	40135900	10	37	B412352200B	22	28~30
40088959	8	26	40135904	10	2	B412352200C	22	28~30
40089196	10	11	40135905	10	38	B8210012000	52	6
40089263	26	19	40135906	10	40	B8228125000	30	44
40089264	36	6	40135907	10	42	B9117012000	42	31
40089274	44	6	40135916	10	3	B9117012000	48	5
40089323	42	29	40136292	10	18	B91210120A0	42	20
40089605	48	1	40136293	10	19	CM300200001	2	23
40089607	24	75	40136700	14	1	CM300200003	2	25
40089610	48	9	40136701	28	56	CM301300001	2	29
40089663	42	1~4	40141165	10	39	CM600100101	4	87
40089665	40	1·2	40141440	10	22	CM600100201	42	30
40089671	40	3·4	40141443	24	81	CM600600101	4	88
40089672	26	26	40141838	18	33	CQ200000001	30	20
40090058	10	32	40141840	18	32	CQ250000001	30	9
40090099	28	80	40141841	18	34	CS1000881TP	12	47
40091140	42	1~4	40141842	18	29	D1524555DBB	46	5
40091397	6	91	40141843	46	8	D1524555EBL	48	7
40091461	2	38	40143184	10	41	D1613155W00	46	4
40094561	2	11	40145927	24	58	D2406555D0H	26	7
40095175	36	5	40149785	30	45	D2468555B00	34	5
40095218	28	82	40150011	10	7	D3128555D00	46	18
40095843	26	41	40161440	18	31	D3129555D00	46	17
40095844	34	12	40161441	20	44	D5119206K0K	16	50
40095847	18	40	B1109012I0B	4	85·86	D8204555D00	52	21
40095870	28	50	B1109552000	6	92	D8226555E00	52	7
40095873	28	83	B1116210D00	28	51	EA9500B0100	2	78

NUMERICAL INDEX OF PARTS

PART NO	PAGE	REF NO.	PART NO	PAGE	REF NO.	PART NO	PAGE	REF NO.
EA9500B0100	4	78	RE0300000K0	10	43	SL6051492TN	30	43
EA9500B0100	12	50	RE0400000K0	8	19	SL6052592TN	12	49
EA9500B0100	34	28	RE0500000K0	14	45	SL6053592TN	16	52
EA9500B0100	42	9	RE0500000K0	16	45	SL6061292TN	30	27
GPK700010A0	52	9	RE0500000K0	18	24	SM0050801SC	8	32
GPK710010A0	52	20	RE0500000K0	26	31	SM2040750TP	2	28
HK03464000B	26	23	RE0500000K0	36	24	SM2040955TP	2	27
HK03464000B	34	2	RE0700000K0	26	39	SM4021201SC	4	79
HK03464000B	36	7	RE1000000K0	40	24	SM4040601SC	32	49
HW500070000	36	8	RE1200000K0	34	4	SM4040655SP	2	36
J1063000000	48	33	RO036080200	24	85	SM4040655SP	22	42
MAO11532000	54	7	RO037180100	14	25	SM4040855SP	2	22
MC200500650	42	21~27	RO037180100	30	39	SM4040855SP	14	36
MC200500650	46	3·6·7	RO044240100	16	53	SM4041055SP	26	11
MC200500750	10	34~36	RO048190100	32	47	SM4050501SC	44	2
MC200500750	42	21~27	RO068190100	30	16	SM4050501SC	46	21
MC200501300	42	21~27	RO080150200	4	83	SM4050655SP	4	80
MDB100B0900	42	21~27	RO092270200	18	43	SM4050655SP	28	61
MDB100B0900	46	3·6·7	RO098240100	30	25	SM4050855SP	2	19
MDB100B1100	10	34~36	RO172180100	30	26	SM4050855SP	22	19
MDB100B1100	42	21~27	RO195240100	30	4	SM4051055SP	2	89
MDB100B1100	46	3·6·7	SB117001200	24	51	SM4051055SP	4	89
MDB100B1400	10	34~36	SB120001800	24	80	SM4051055SP	8	33
MDB100B1400	42	21~27	SB120002700	10	21	SM4051055SP	24	76
MDB100B2100	42	21~27	SB32000060A	24	48~50	SM4051055SP	34	24
MDB100B2100	48	4	SB32000060B	24	48~50	SM4051055SP	36	37
NM6040000SN	26	24	SB32000060C	24	48~50	SM4051255SP	2	32
NM6040001SP	2	42	SD0460703TP	26	8	SM4051405SE	38	24
NM6040001SP	26	46	SD0460703TP	44	22	SM5040655SN	4	68
NM6050001SC	28	57	SD0460703TP	48	18	SM5040655SN	8	20
NM6050001SE	38	25	SD0500131TP	48	19	SM5040655SN	30	29
NM6050001SP	34	10	SD0500701TP	28	77	SM6040602TP	14	9
NM6060001SE	40	11	SD0630275SP	28	73	SM6040800SP	28	52
NM6060003SE	14	31	SD0640321SP	28	69	SM6051400SP	14	4
NS6090310SP	36	21	SD0640631TP	28	71	SM6051400SP	22	17
NS6110310SP	28	78	SD0641456TP	26	17	SM6051402TP	14	37
NS6110310SP	36	22	SD0650321TP	36	25	SM6051402TP	30	28
NS6150310SP	28	75	SD0720331SP	40	25	SM6051602TP	18	19
NS6150310SP	40	22	SK3311600SE	52	19	SM6051602TP	34	14
NS6620310SP	16	44	SK3382001SC	52	15	SM6051850TP	18	28
NS6660410SH	26	21	SK3415001SE	54	6	SM6052502TP	2	26
NS6660430SP	26	22	SK3513200SC	52	22	SM6061002TP	2	7
RC0370411KP	36	23	SL4030631SC	36	26	SM6061002TP	26	28
RC0560711KP	8	18	SL4030641SE	36	27	SM6061010TP	28	49
RC1200001KP	24	83	SL6040892TN	30	42	SM6061202TP	2	35

NUMERICAL INDEX OF PARTS

PART NO	PAGE	REF NO.	PART NO	PAGE	REF NO.	PART NO	PAGE	REF NO.
SM8040802TP	8	21	SS6110710TP	22	35	WS0861410KR	52	27
SM8050412TP	12	48	SS6110710TP	26	30			
SM8050502TP	8	22	SS6121610SP	22	11			
SM80506A2TP	10	20	SS6121860SP	18	35			
SM80506A2TP	18	4	SS7080510TP	10	10			
SM80606A2TP	10	6	SS7091110TP	14	27			
SM80606A2TP	18	47	SS7110740TP	28	65			
SM80606A2TP	20	47	SS7110740TP	34	29			
SM80606A2TP	26	43	SS8090670SP	4	58			
SM80606A2TP	48	42	SS8090670SP	46	19			
SM8060812TP	26	35	SS8090670SP	48	32			
SM80608A2TP	2	70	SS8150822TP	22	3			
SM80608A2TP	4	70	SS8151150TP	22	39			
SM80608A2TP	10	44	SS8151150TP	48	45			
SM80608A2TP	18	26	SS8660610TP	22	24			
SM80608A2TP	24	82	SS8661012TP	22	66			
SM80608A2TP	28	54	SS8661012TP	24	66			
SM8061010TP	28	68	TA0850604R0	10	51			
SM8061050TP	28	67	TA0850604R0	12	51			
SM8063012TR	40	12	TA1250406R0	2	43			
SM8081652TP	10	5	TA1470704R0	2	41			
SM8081652TP	48	41	WP0430800SC	26	25			
SM8480652TP	34	36	WP0450801SP	28	66			
SM9061203SE	40	34	WP0450826SC	8	23			
SM9061853SR	40	27	WP0480856SP	22	18			
SM9062053SR	40	21	WP0501016SD	6	95			
SM9086523SE	52	24	WP0501016SD	16	55			
SQ2050453MZ	30	14	WP0501016SD	32	50			
SS2060210SP	26	9	WP0531001SC	38	15			
SS2060210SP	44	15	WP0550800SP	6	90			
SS2060210SP	48	20	WP0550800SP	34	7			
SS4080620TP	22	27	WP0551016SH	34	9			
SS4080620TP	26	10	WP0621016SD	6	94			
SS4080620TP	44	16	WP0621016SD	14	33			
SS4080620TP	48	21	WP0621016SD	28	81			
SS4110615SP	36	30	WP0621016SH	28	76			
SS6060210SP	2	18	WP0650876SD	40	18			
SS6090540SP	36	28	WP0651001SC	36	34			
SS6090620TP	22	12	WP0661016SP	36	33			
SS6090670TP	10	31	WP0841600SD	26	38			
SS6090670TP	22	53	WP0871602SE	52	28			
SS6090670TP	24	53	WP1602616SZ	34	6			
SS6090670TP	26	15	WP1612616SE	38	22			
SS6110420TP	44	7	WS0510002KN	38	14			
SS6110610TP	4	59	WS0610002KN	34	11			