

MODEL : SP-48

List No : 1522-01

# PARTS LIST

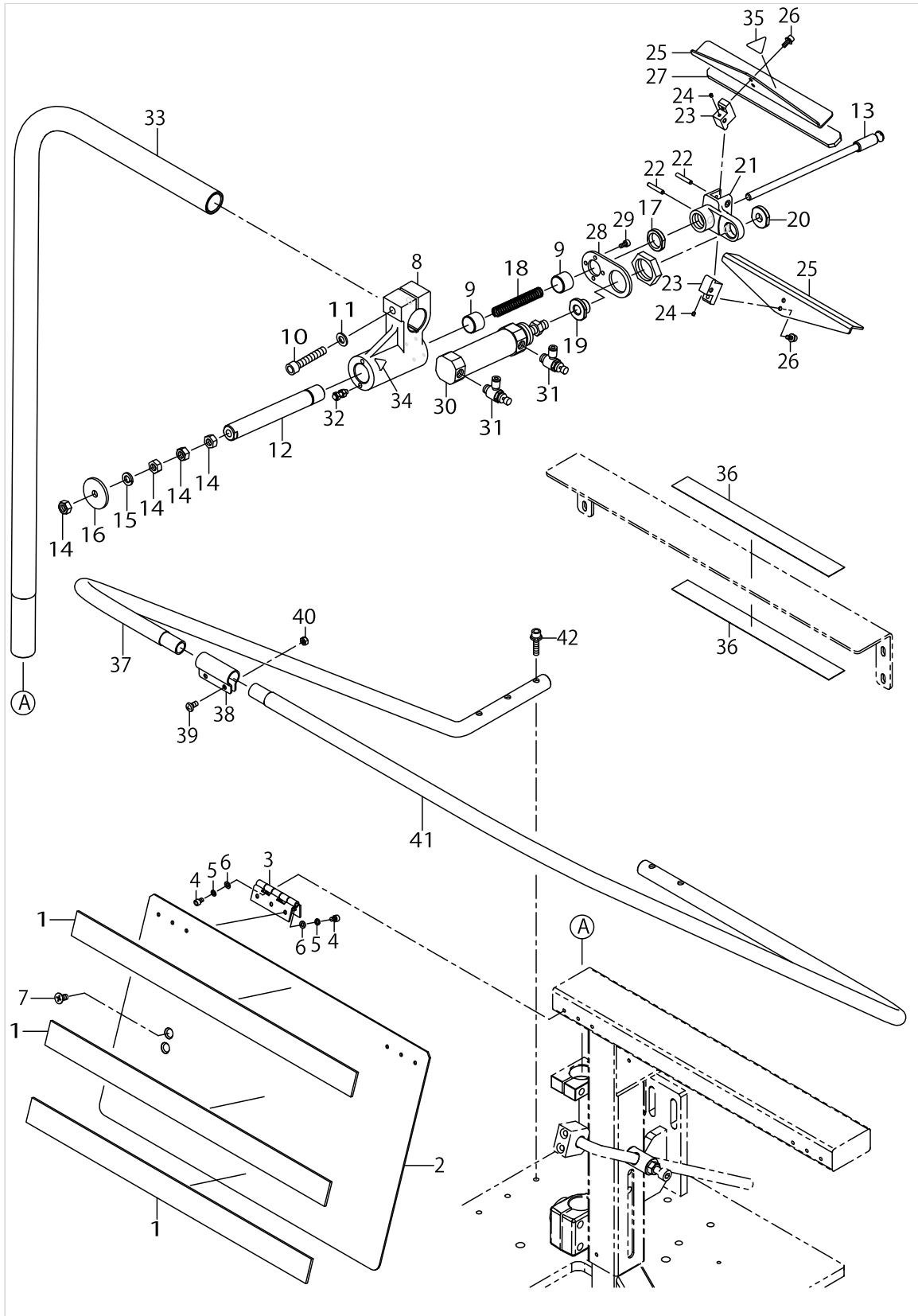
Published:05/12/2017

## CONTENTS

---

SP-48:GRASP STACKER DEVICE (1).....	1
SP-48:GRASP STACKER DEVICE (2).....	3
HOW TO MAKE USE OF THIS PARTS LIST .....	7

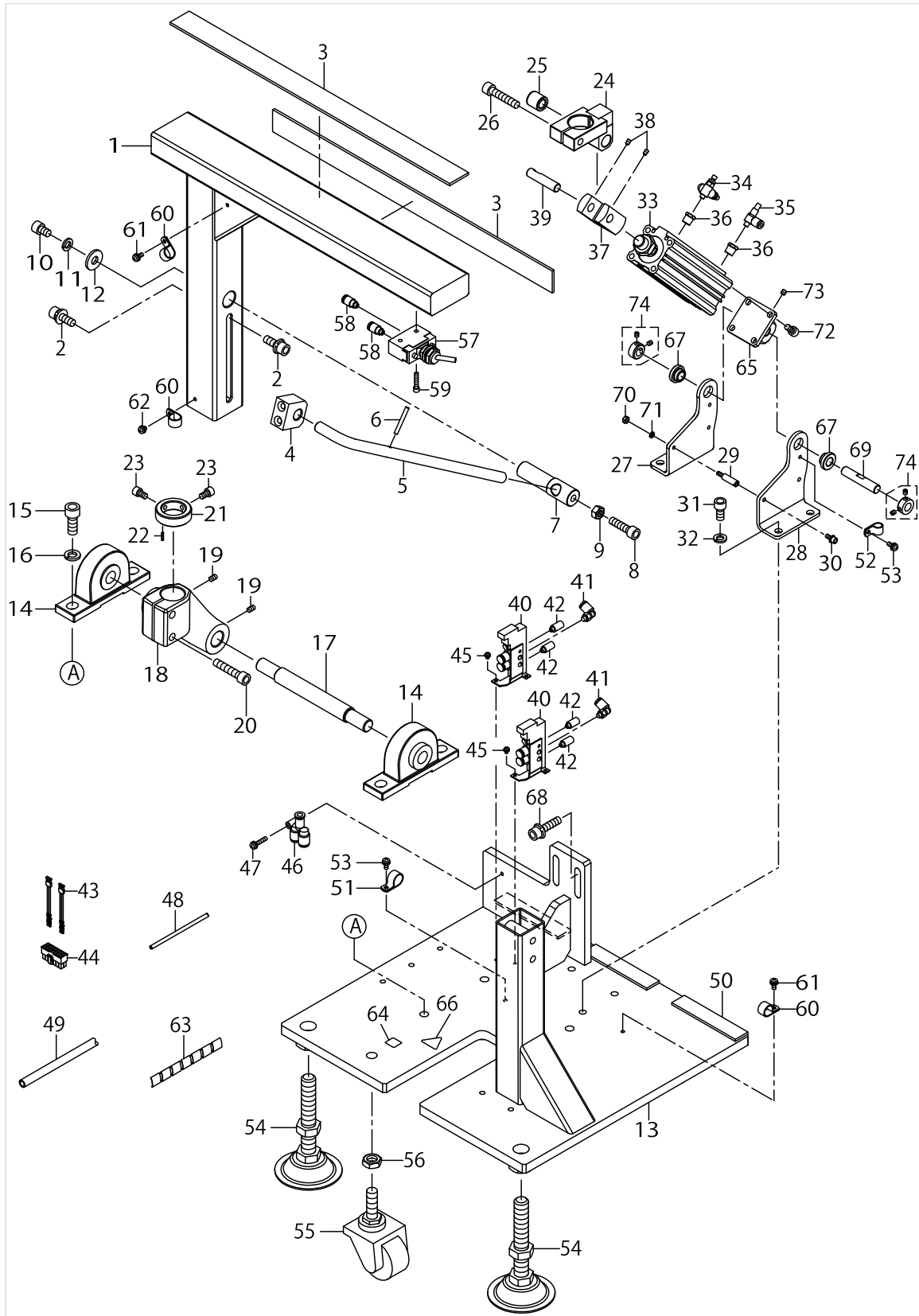
SP-48:GRASP STACKER DEVICE (1)



SP-48:GRASP STACKER DEVICE (1)

No.	Supply Code	Parts No.	Replacement	Parts name	Remarks	Choice	Step	Level	Cons	Qty	Rep. QTY
1		40074001		CLOTH HOLDER RUBBER						3	
2		40074002		CLOTH HOLDER TABLE						1	
3		40074003		RISED_HINGE						2	
4		SM6040602TP		SCREW M4 L=6						12	
5		WS0410002KN		SPRING WASHER						12	
6		WP0430800SC		WASHER M4						12	
7		SM1061201SN		SCREW M6 L=12						2	
8		40074007		CHUCK STAND						1	
9		40074008		METAL						2	
10		SM6084502TP		SCREW						1	
11		WP0841600SC		WASHER						1	
12		40074009		CHUCK ROD						1	
13		40074010		CENTER_SHAFT						1	
14		NM6080001SC		NUT M8X1.25						4	
15		WS0820002KN		SPRING WASHER M8						1	
16		40074011		CHUCK_PLATE						1	
17		40074012		CHUCK_ROD_NUT						1	
18		40074013		COIL_SPRING						1	
19		40074014		CYLINDER_EDGE						1	
20		40074015		CYLINDER_EDGE_NUT						1	
21		40074016		CHUCK_BOSS						1	
22		40074017		CHUCK_BOSS_PIN						2	
23		40074018		GRASPING_FULCRUM_BLOCK						2	
24		SM8030402TP		SCREW M3X0.5 L=4						2	
25		40074019		GRASPING_PLATE						2	
26		SL6041092TN		SCREW						4	
27		40074020		GRASPING_RUBBER						1	
28		40074029		CYLINDER_PLATE						1	
29		SM6040802TN		SCREW						4	
30		PA2505001A0		AIR CYLINDER						1	
31		PC015108000		SPEED CONTROLLER						2	
32		40036277		STOPPER_BOLT						2	
33		40074030		ROCK_ARM						1	
34		CM300200001		ATTENTION SEAL						1	
35		CM300200002		CAUTION LABEL(25)						1	
36		40074027		TAPE						2	
37		40074032		GRASP_STACKER_SAFETY_BAR_A						1	
38	R	22931307	40096354	SPOOL REST ROD JOINT						1	1.00
39		SM4051001SN		SCREW M5						2	
40		NM6050001SE		NUT M5						2	
41		40074033		GRASP_STACKER_SAFETY_BAR_B						1	
42		SL6062592TN		SCREW						5	

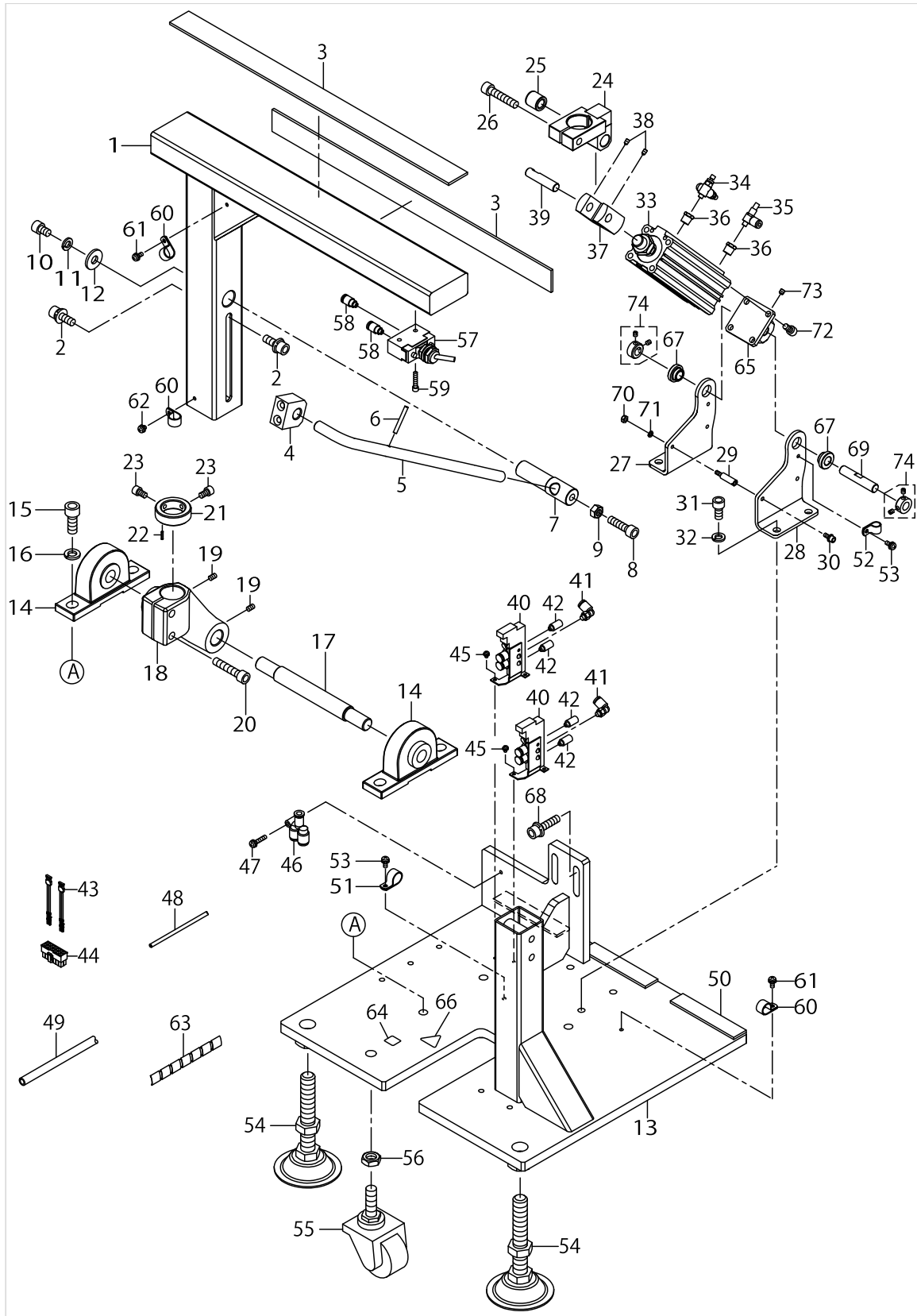
SP-48:GRASP STACKER DEVICE (2)



SP-48:GRASP STACKER DEVICE (2)

No.	Supply Code	Parts No.	Replacement	Parts name	Remarks	Choice	Step	Level	Cons	Qty	Rep. QTY
1		40074000		CLOTH HOLDER BASE						1	
2		SL6082092TN		BOLT						4	
3		40074001		CLOTH HOLDER RUBBER						2	
4		40074004		BLOCK BRACKET						1	
5		40074005		TABLE SUPPORT BAR						1	
6		PS0400322KP		SPRING PIN 4.0X32						1	
7		40074006		TABLE FIXED PIN						1	
8		SM6083002TN		SCREW M8 L=30						1	
9		NM6080001SC		NUT M8X1.25						1	
10		SM6081202TP		SCREW M8 L=12						1	
11		WS0820002KN		SPRING WASHER M8						1	
12		WP0982616SP		WASHER 9.8X24.0X2.6						1	
13		40074021		MAIN FRAME						1	
14		40074022		PILLOT UNIT						2	
15	D	SM6102512TP		SCREW M10X1.5 L=25.0						4	
16		WS1020002KN		SPRING WASHER M10						4	
17		40074023		STACKER STRUT PIN						1	
18		40074024		ARM BRACKET						1	
19		SM8050812TP		SCREW M5X8						2	
20		SM6084002TN		SCREW M8 L=40						2	
21		40074034		COLLAR						1	
22		PS0200102KH		SPRING PIN 2.0 X 10						1	
23		SM6051002TP		SCREW M5X0.8 L=10						2	
24		40074026		ROCKING ARM BRACKET ASSY						1	
25		40019621		DRIVE SHAFT METAL A						1	
26		SM6084002TN		SCREW M8 L=40						1	
27		40074047		CYLINDER BASE A						1	
28		40074048		CYLINDER BASE B						1	
29		40011205		STUD						2	
30		SL6041092TN		SCREW						2	
31		SM6081602TN		BOLT M8 L=16						4	
32		WS0820002KN		SPRING WASHER M8						4	
33		PA3210004A0		AIR CYLINDER						1	
34		PC010524000		SPEED CONTROLLER						1	
35		PC010507000		SPEED CONTROLLER						1	
36		PJ015105001		BUSHING						2	
37		40074043		KNUCKLE JOINT						1	
38		SM8040602TP		SCREW M4X0.7 L=6						2	
39		40033825		HEAD FIXED SHAFT						1	
40		PV1502060A0		5 PORT MAGNETIC TRANSFER VALVE						2	
41		PJ304040505		ELBOW						2	
42		PX050501000		SILENCER						4	
43		40032964		AIR VALVE CABLE ASM						2	
44		HK034610140		HOUSING 14P						1	
45		SL4030591SC		SCREW M3X5						4	
46		PJ308060003		Y UNION						1	

SP-48:GRASP STACKER DEVICE (2)



SP-48:GRASP STACKER DEVICE (2)

No.	Supply Code	Parts No.	Replacement	Parts name	Remarks	Choice	Step	Level	Cons	Qty	Rep. QTY
47		SL4042091SC		SCREW M4X0.7 L=20						1	
48		BT0400251EB		URETHANE HOSE, BLACK						3.6	
49		BT0600401EB		TUBE						2.75	
50		40074039		RUBBER						3	
51		HX00150000F		CABLE CLIP						1	
52		HX00150000C		CABLE CLIP						1	
53		SL4041091SC		SCREW M4 L=10						2	
54		40035074		ADJUST_BOLT						2	
55		11152204		CASTER, SMALL						1	
56		NM6120003SC		NUT M12						1	
57		40032992		MECHANICAL VALVE						1	
58		PJ210006100		HALF UNION						2	
59		SM6042002TN		BOLT						2	
60		HX00150000E		CORD PRESSER 3-- POLE (220/240V)						3	
61		SL4041091SC		SCREW M4 L=10						2	
62		SL4040691SC		SCREW M4 L=6						1	
63		HX00314000A		SPIRAL TUBE						.5	
64		CM600100101		WEEE MARK LABEL S						1	
65		40074044		CYLINDER_JOINT						1	
66		CM300200002		CAUTION LABEL(25)						1	
67		40074045		METAL						2	
68		SL6083092TN		SCREW						1	
69		40074046		CYLINDER_PIN						1	
70		NM6040001SC		NUT M4						2	
71		WS0410002KN		SPRING WASHER						2	
72		SM6061202TP		SCREW M6 L=12						4	
73		SM8050512TP		SCREW						1	
74		CS100081CSP		THRUST COLLAR ASM.						2	



## HOW TO MAKE USE OF THIS PARTS LIST

1.As to "#01" and "#02" refer to the "Note" given at the bottom of the respective pages.

2.Codes on the "Qty" column

- Each numeral indicates the number of parts required.
- "0.1" and "2.5" indicate the length (in meters) of the respective parts.

3.Parentheses mean that the corresponding part is a subpart that constructs an assembly part.

4.Dotted lines on the Figures indicate assembly parts.

1. リストページの# 0 1、# 0 2の印は、ページ下の"注記"の説明を参照下さい。
2. 数量欄の数字は、個数を表し、0. 1、2. 5等の数値は、長さ（単位メートル）を表します。
3. 数量欄の（ ）は、組部品を構成している子部品であることを意味します。
4. イラストページの-----枠は、組構成であることを意味します。

NUMERICAL INDEX OF PARTS

PART NO	PAGE	REF NO.	PART NO	PAGE	REF NO.	PART NO	PAGE	REF NO.
11152204	6	55	40074045	6	67	SM6040602TP	2	4
22931307	2	38	40074046	6	69	SM6040802TN	2	29
40011205	4	29	40074047	4	27	SM6042002TN	6	59
40019621	4	25	40074048	4	28	SM6051002TP	4	23
40032964	4	43	BT0400251EB	6	48	SM6061202TP	6	72
40032992	6	57	BT0600401EB	6	49	SM6081202TP	4	10
40033825	4	39	CM300200001	2	34	SM6081602TN	4	31
40035074	6	54	CM300200002	2	35	SM6083002TN	4	8
40036277	2	32	CM300200002	6	66	SM6084002TN	4	26
40074000	4	1	CM600100101	6	64	SM6084502TP	2	10
40074001	2	1	CS100081CSP	6	74	SM6102512TP	4	15
40074001	4	3	HK034610140	4	44	SM8030402TP	2	24
40074002	2	2	HX00150000C	6	52	SM8040602TP	4	38
40074003	2	3	HX00150000E	6	60	SM8050512TP	6	73
40074004	4	4	HX00150000F	6	51	SM8050812TP	4	19
40074005	4	5	HX00314000A	6	63	WP0430800SC	2	6
40074006	4	7	NM6040001SC	6	70	WP0841600SC	2	11
40074007	2	8	NM6050001SE	2	40	WP0982616SP	4	12
40074008	2	9	NM6080001SC	2	14	WS0410002KN	2	5
40074009	2	12	NM6080001SC	4	9	WS0410002KN	6	71
40074010	2	13	NM6120003SC	6	56	WS0820002KN	2	15
40074011	2	16	PA2505001A0	2	30	WS0820002KN	4	32
40074012	2	17	PA3210004A0	4	33	WS1020002KN	4	16
40074013	2	18	PC010507000	4	35			
40074014	2	19	PC010524000	4	34			
40074015	2	20	PC015108000	2	31			
40074016	2	21	PJ015105001	4	36			
40074017	2	22	PJ210006100	6	58			
40074018	2	23	PJ304040505	4	41			
40074019	2	25	PJ308060003	4	46			
40074020	2	27	PS0200102KH	4	22			
40074021	4	13	PS0400322KP	4	6			
40074022	4	14	PV1502060A0	4	40			
40074023	4	17	PX050501000	4	42			
40074024	4	18	SL4030591SC	4	45			
40074026	4	24	SL4040691SC	6	62			
40074027	2	36	SL4041091SC	6	61			
40074029	2	28	SL4042091SC	6	47			
40074030	2	33	SL6041092TN	2	26			
40074032	2	37	SL6041092TN	4	30			
40074033	2	41	SL6062592TN	2	42			
40074034	4	21	SL6082092TN	4	2			
40074039	6	50	SL6083092TN	6	68			
40074043	4	37	SM1061201SN	2	7			
40074044	6	65	SM4051001SN	2	39			