

MODEL : IP-420

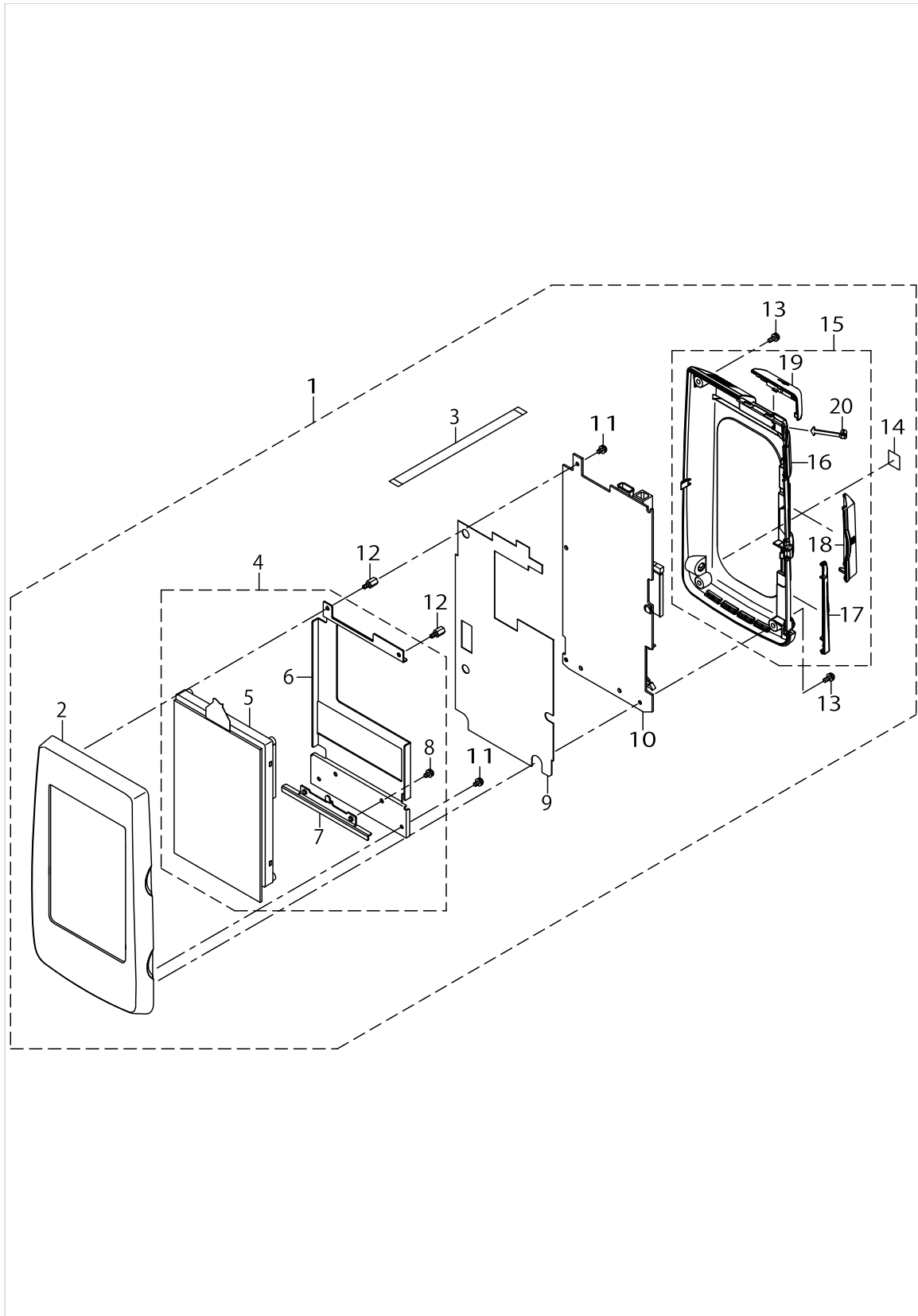
List No : 1524-01

PARTS LIST

Published:05/12/2017

CONTENTS

| | |
|--|---|
| IP-420..... | 1 |
| HOW TO MAKE USE OF THIS PARTS LIST | 3 |



IP-420

| No. | Supply Code | Parts No. | Replacement | Parts name | Remarks | Choice | Step | Level | Cons | Qty | Rep. QTY |
|-----|-------------|-------------|-------------|----------------------|--|--------|------|-------|------|-----|----------|
| 1 | R | 40086192 | 40181848 | PANEL ASSY | | | | | | 1 | 1.00 |
| 2 | | 40078163 | | FRONT_CASE | | | | * | | 1 | |
| 3 | R | HW002180200 | HW002650330 | FLAT CABLE | | A | | * | | 1 | 1.00 |
| 3 | R | HW002180200 | 40083668 | FLAT CABLE | | A | | * | | 1 | 1.00 |
| 3 | R | HW002180200 | 40086541 | FLAT CABLE | | A | | * | | 1 | 1.00 |
| 3 | R | HW002180200 | 40166481 | FLAT CABLE | | A | | * | | 1 | 1.00 |
| 3 | R | HW002180200 | 40166318 | FLAT CABLE | | A | | * | | 1 | 1.00 |
| 4 | | 40080800 | | LCD_ASSY | | | | * | | 1 | |
| 5 | | 40086541 | | LCD TOUCH PANEL ASSY | TECHNICAL INFOMATI- ON (A16-029) | | | * | | 1 | |
| 6 | | 40083668 | | LCD_BRACKET | TECHNICAL INFOMATI- ON (A16-029) | | | * | | 1 | |
| 7 | R | 40083666 | 40080800 | LCD_STAY | | | | * | | 1 | 1.00 |
| 8 | | SL4030681SC | | SCREW M3 L=6 | | | | * | | 2 | |
| 9 | | 40078168 | | INSULATION_SHEET | | | | * | | 1 | |
| 10 | R | 40083960 | 40086541 | PANEL PCB ASSY | | A | | * | | 1 | 1.00 |
| 10 | R | 40083960 | 40083668 | PANEL PCB ASSY | | A | | * | | 1 | 1.00 |
| 10 | R | 40083960 | 40166481 | PANEL PCB ASSY | | A | | * | | 1 | 1.00 |
| 10 | R | 40083960 | 40166318 | PANEL PCB ASSY | | A | | * | | 1 | 1.00 |
| 10 | R | 40083960 | HW002650330 | PANEL PCB ASSY | | A | | * | | 1 | 1.00 |
| 11 | | SL4030681SC | | SCREW M3 L=6 | | | | * | | 3 | |
| 12 | | HX00354000B | | PCB SUPPORT L=8MM | | | | * | | 2 | |
| 13 | | SL4030881SC | | SCREW M3 L=8 | | | | * | | 4 | |
| 14 | | CM600100101 | | WEEE MARK LABEL S | | | | * | | 1 | |
| 15 | | 40080799 | | REAR_CASE_ASSY | | | | * | | 1 | |
| 16 | R | 40078166 | 40080799 | REAR_CASE | | | | * | | 1 | 1.00 |
| 17 | | 40078162 | | CONNECTOR_COVER | | | | * | | 1 | |
| 18 | | 40083667 | | CF_COVER | | | | * | | 1 | |
| 19 | | 40078167 | | USB_COVER | | | | * | | 1 | |
| 20 | | 40078164 | | UNITY_STRING | | | | * | | 1 | |

HOW TO MAKE USE OF THIS PARTS LIST

1.As to "#01" and "#02" refer to the "Note" given at the bottom of the respective pages.

2.Codes on the "Qty" column

- Each numeral indicates the number of parts required.
- "0.1" and "2.5" indicate the length (in meters) of the respective parts.

3.Parentheses mean that the corresponding part is a subpart that constructs an assembly part.

4.Dotted lines on the Figures indicate assembly parts.

1. リストページの# 0 1、# 0 2の印は、ページ下の"注記"の説明を参照下さい。
2. 数量欄の数字は、個数を表し、0. 1、2. 5等の数値は、長さ（単位メートル）を表します。
3. 数量欄の（ ）は、組部品を構成している子部品であることを意味します。
4. イラストページの-----枠は、組構成であることを意味します。

NUMERICAL INDEX OF PARTS

| PART NO | PAGE | REF NO. |
|-------------|------|---------|
| 40078162 | 2 | 17 |
| 40078163 | 2 | 2 |
| 40078164 | 2 | 20 |
| 40078166 | 2 | 16 |
| 40078167 | 2 | 19 |
| 40078168 | 2 | 9 |
| 40080799 | 2 | 15 |
| 40080800 | 2 | 4 |
| 40083666 | 2 | 7 |
| 40083667 | 2 | 18 |
| 40083668 | 2 | 6 |
| 40083960 | 2 | 10 |
| 40086192 | 2 | 1 |
| 40086541 | 2 | 5 |
| CM600100101 | 2 | 14 |
| HW002180200 | 2 | 3 |
| HX00354000B | 2 | 12 |
| SL4030681SC | 2 | 11 |
| SL4030881SC | 2 | 13 |