

# Instruction for Series X-CAD-KIT

## Cadence option

The cadence menu is only available if

- ⦿ the cadence transmitter is installed,
- ⦿ the transmitter was recognized during pairing.

After pairing the cadence transmitter, the current cadence is shown in section 2 of the display.

In function mode it is possible to select the CADENCE/MORE menu using the ▲▼ using the up/down buttons.

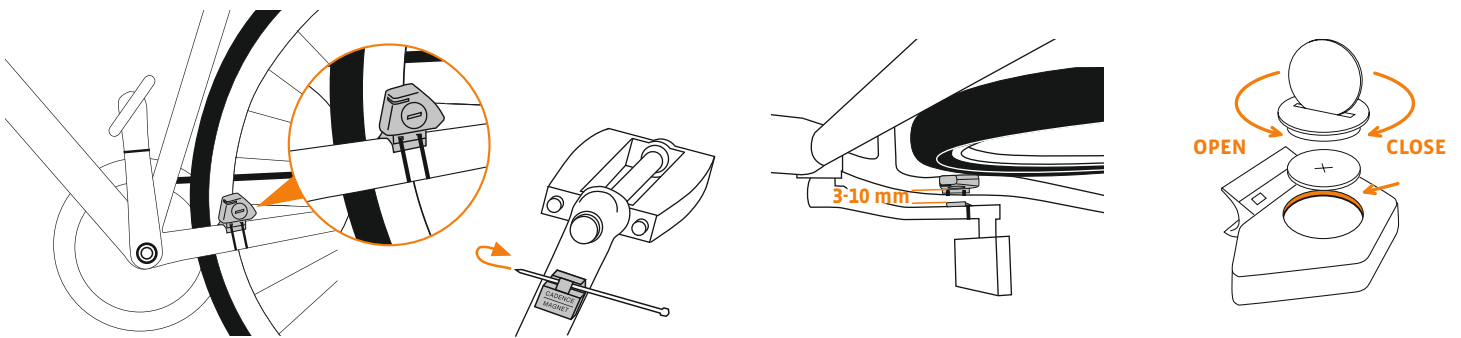
Confirming with **M** opens the menu and gives you access to the information.

Using ▲▼ you come to:

- ⦿ AVG CADENCE
- ⦿ MAX CADENCE

Resetting the trip data also sets the cadence data back to zero.

## Installation



## Transmitter pairing

The speed and cadence signals (Option: Item no. 7702) will be transmitted digitally and encoded to your computer. This technology is less prone to problems than analogue transmission. This way, when riding in a group there are no data overlaps (cross talk). So that the computer acquires the digital encodings from the transmitter, a pairing must be made:

**step 1** Place the computer into the handlebar holder. The display for the speed and the cadence now flashes. The flashing shows that the computer is looking for its transmitter.

**step 2** Spin the front wheel or simply set off and the computer acquires the digital encodings. When the computer has found the transmitters and has acquired the encodings (pairing), the speed and cadence are shown on the display.

**ATTENTION:** The time window for pairing is 5 minutes. If you do not start cycling during these 5 minutes, no pairing takes place. Speed and cadence are not displayed.

The pairing then has to be repeated:

- ⦿ Place the computer back into the handlebar holder
- OR**
- ⦿ press the buttons **C** + **M** together.