

MODEL : MU-11/X70358

List No : 1521-00

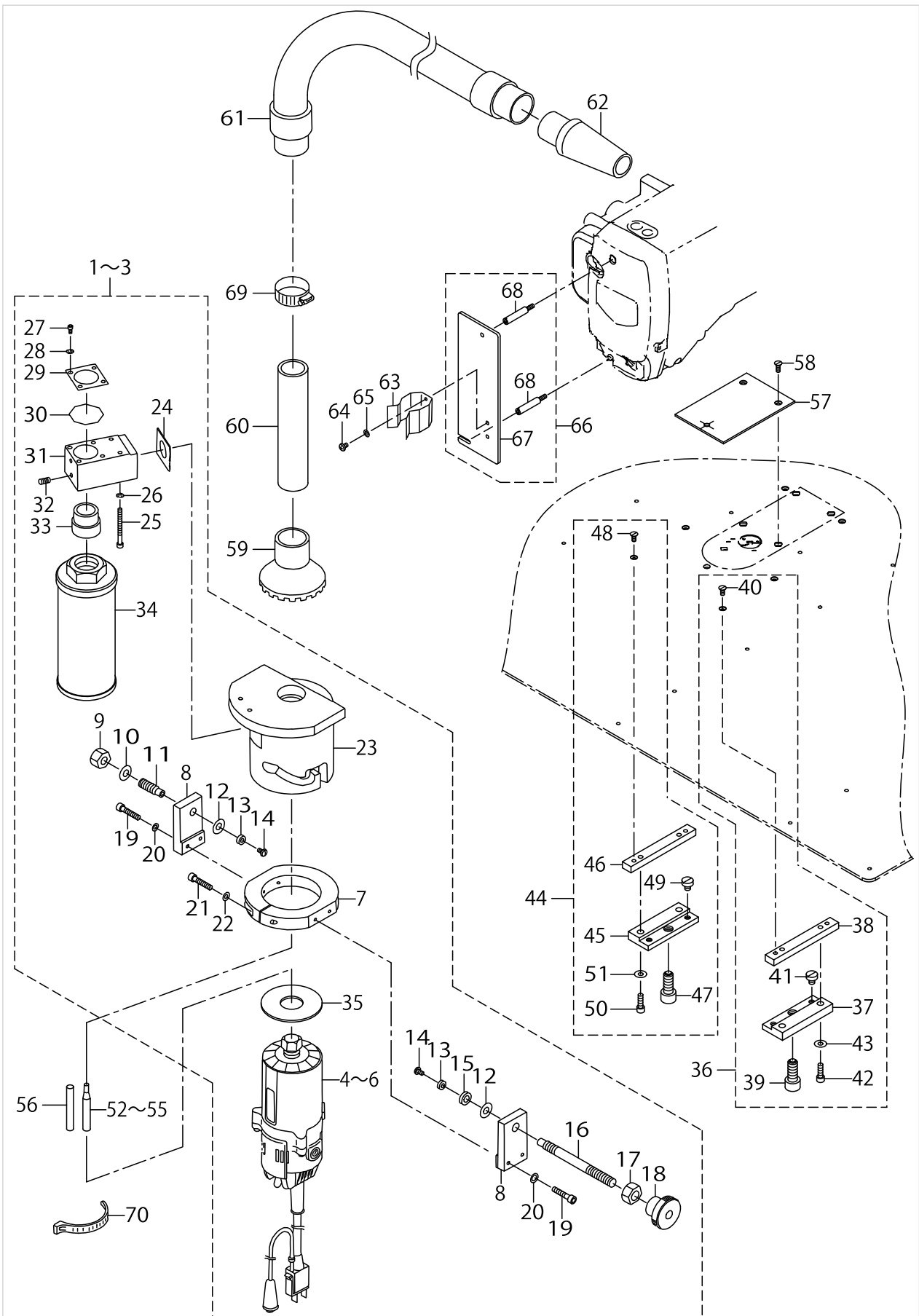
PARTS LIST

Published:05/12/2017

CONTENTS

TRIMMER COMPONENTS	1
ATTACHMENT COMPONENTS.....	5
HOW TO MAKE USE OF THIS PARTS LIST	7

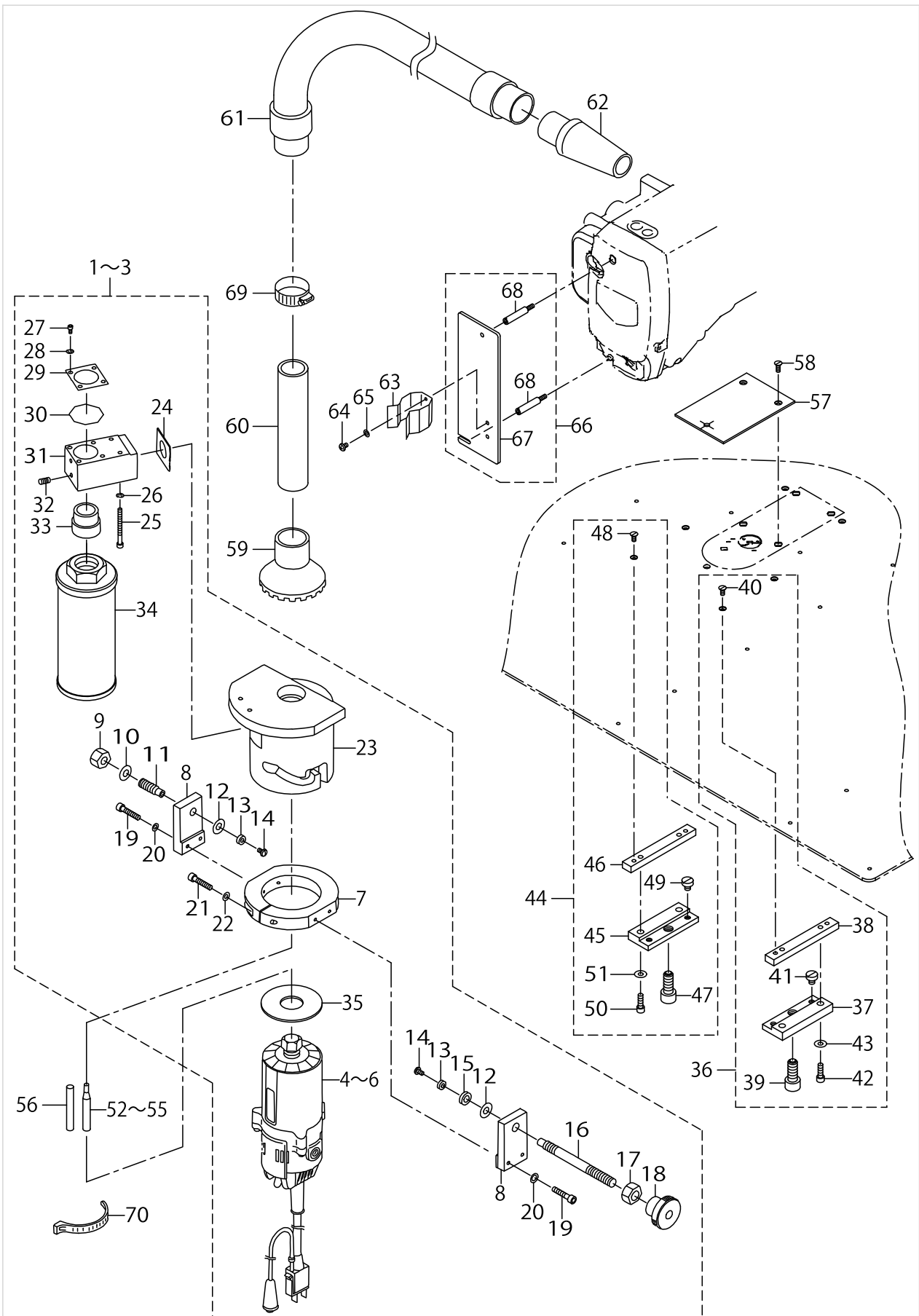
TRIMMER COMPONENTS



TRIMMER COMPONENTS

No.	Supply Code	Parts No.	Replacement	Parts name	Remarks	Choice	Step	Level	Cons	Qty	Rep. QTY
1		GMU010010A0		TRIMMER ASM.	FOR 100V					1	
2	D	GMU01001AA0		TRIMMER ASM.(115V)	FOR EXPORT(115V)					1	
3	D	GMU01001BA0		TRIMMER ASM. 220V	FOR EXPORT(220V)					1	
4	D R	GMU01001000	GMU010010A0	TRIMMER 100V	FOR 100V			*		1	1.00
5		GMU01001A00		TRIMMER 115V	FOR EXPORT(115V)			*		1	
6	D	GMU01001B00		TRIMMER 220V	FOR EXPORT(220V)			*		1	
7		GMU01002000		TRIMMER CLAMP				*		1	
8		GMU01005000		CLAMP LEVER PLATE				*		2	
9		NM6100001SD		NUT M10				*		1	
10		WP1052000SD		WASHER M10				*		1	
11		GMU01007000		TRIMMER ROLLER SHAFT				*		1	
12		WP0751576SD		WASHER 7.5X19X1.5				*		2	
13		GMU01006000		TRIMMER ROLLER				*		2	
14		SS5090710SP		SCREW 9/64-40 L=6.5				*		2	
15		D8515761C00		STOPPER				*		1	
16		GMU01003000		TRIMMER CLAMP LEVER				*		1	
17		NM6100001SD		NUT M10				*		1	
18		GMU01004000		CLAMP LEVER KNOB				*		1	
19		SM6052502TP		SCREW M5X0.8 L=25				*		4	
20		WP0520656SA		WASHER 5.2X9.5X0.6				*		4	
21		SM6052502TP		SCREW M5X0.8 L=25				*		1	
22		WP0520656SA		WASHER 5.2X9.5X0.6				*		1	
23	D R	GMU01008000	GMU010010A0	TRIMMER HOLDER				*		1	1.00
24		11043205		SOLENOID RUBBER A				*		1	
25		SM6044552TP		BOLT M4X45				*		2	
26		WP0430800SD		WASHER M4				*		2	
27		SM6030602TP		SCREW M3X0.5 L=6				*		4	
28		WP0430800SD		WASHER M4				*		4	
29		GMU01012000		FILTER HOLDER				*		1	
30		GMU01011000		DUST FILTER				*		1	
31		GMU01009000		DUSTBIN BRACKET				*		1	
32		SM8040502TP		SCREW M4X0.7 L=5				*		1	
33		GMU01010000		DUSTBIN JOINT				*		1	
34		GMU01043000		DUSTBIN				*		1	
35		GMU01042000		TRIMMER FILTER				*		1	
36		GMU010130A0		HOLDER GUIDE ASM., RIGHT				*		1	
37		GMU01013000		HOLDER GUIDE				*		1	
38		GMU01015000		HOLDER GUIDE BASE				*		1	
39		GMU01036000		HOLDER PLUNGER				*		1	
40		SS1110640TP		SCREW 11/64-40 L= 5.5				*		2	
41		SS6150710SP		SCREW				*		1	
42		SM6051602TP		SCREW M5X0.8 L=16				*		2	
43		WP0551016SH		WASHER 5.5X13X1				*		2	
44		GMU010140A0		HOLDER GUIDE ASM., LEFT				*		1	
45		GMU01013000		HOLDER GUIDE				*		1	
46		GMU01015000		HOLDER GUIDE BASE				*		1	

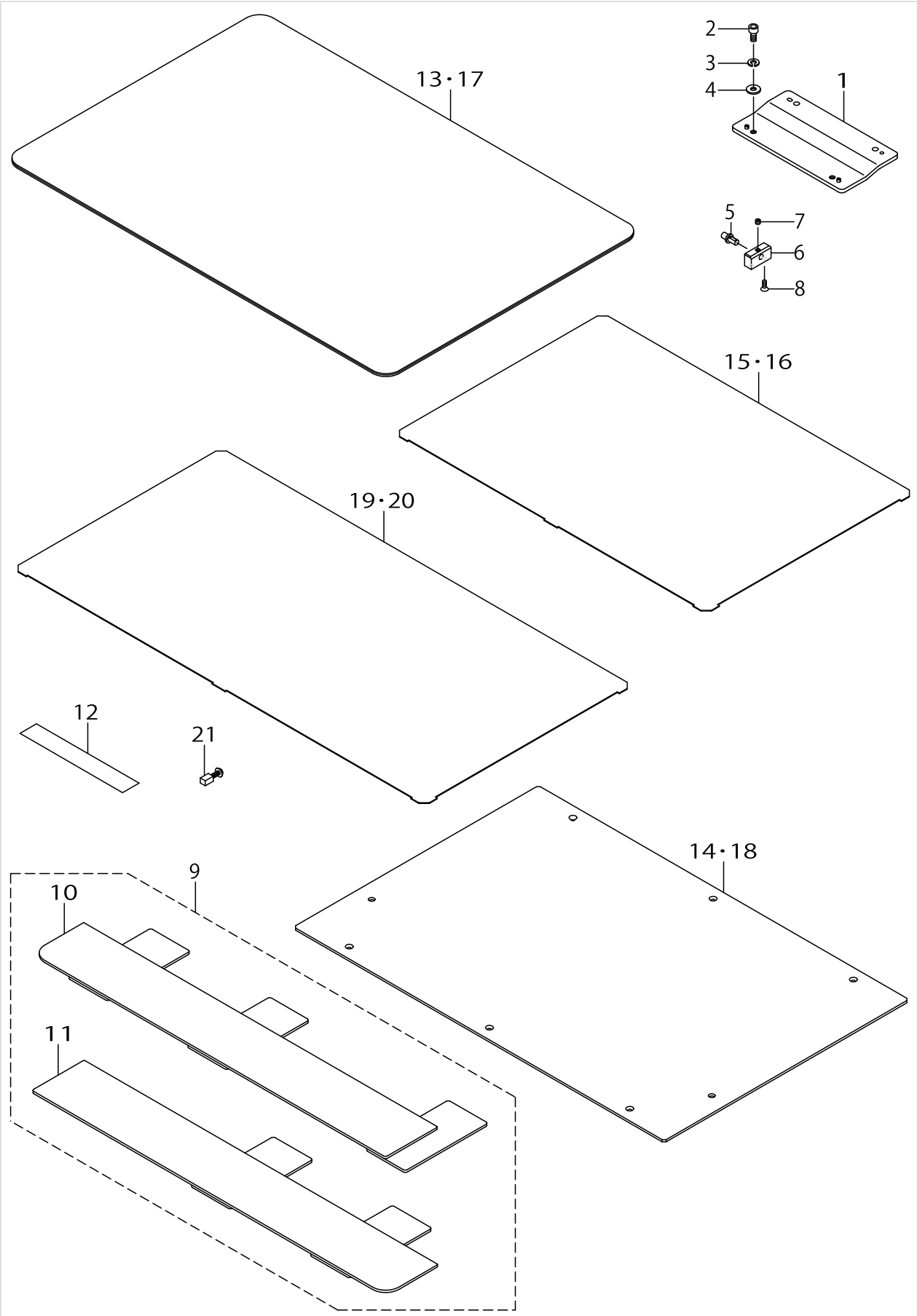
TRIMMER COMPONENTS



TRIMMER COMPONENTS

No.	Supply Code	Parts No.	Replacement	Parts name	Remarks	Choice	Step	Level	Cons	Qty	Rep. QTY
47		GMU01036000		HOLDER PLUNGER				*		1	
48		SS1110640TP		SCREW 11/64-40 L= 5.5				*		2	
49		SS6150710SP		SCREW				*		1	
50		SM6051602TP		SCREW M5X0.8 L=16				*		2	
51		WP0551016SH		WASHER 5.5X13X1				*		2	
52		GMU01016000		END MILL D=3						1	
53		GMU01017000		END MILL D=4						1	
54		GMU01018000		END MILL D=5						1	
55	D	GMU01019000		END MILL D=6						1	
56		GBR01335000		GAUGE SHAFT						1	
57	D	GMU01020000		GAUGE PLATE						1	
58		SM1040870TP		SCREW						2	
59		GMU01021000		COLLECTOR HOOD						1	
60		GMU01022000		COLLECTOR PIPE						1	
61		GMU01023000		COLLECTOR HOSE						1	
62		GMU01024000		COLLECTOR HOSE PLUG						1	
63		F100200100A		PIPE HOLDER, A						1	
64		SM4040655SP		SCREW M4 L=6						2	
65		WP0430800SD		WASHER M4						2	
66	R	40036526	40036525	HOLDER PLATE ASM.		A				1	1.00
66	R	40036526	40036524	HOLDER PLATE ASM.		A				1	1.00
67		40036524		HOLDER PLATE				*		1	
68		40036525		PIPE HOLDER STUD				*		2	
69		GMU01041000		HOSE BAND						1	
70		HX00233000B		CABLE BAND						2	

ATTACHMENT COMPONENTS



ATTACHMENT COMPONENTS

No.	Supply Code	Parts No.	Replacement	Parts name	Remarks	Choice	Step	Level	Cons	Qty	Rep. QTY
1		40072298		LOWER PLATE INST- ALLING PLATE A						1	
2		SM6061202TP		SCREW M6 L=12						2	
3		WS0610002KP		SPRING WASHER						2	
4		WP0611626SP		WASHER 15X6X1.6						2	
5		B2560220000		SUPPORT PIN						2	
6		40051769		FEEDING FRAME S- UPPORT BEARING						2	
7		SM8050412TP		SCREW M5 L=4						2	
8		SM1040870TP		SCREW						4	
9		40084412		MILLING SUPPORT PLATE ASM.						1	
10		40083099		MILLING_SUPPORT_ - PLATE_LEFT_ASM.				*		1	
11		40084408		MILLING SUPPORT PLATE RIGHT ASM.				*		1	
12		B2572229000		FILAMENT TAPE						6	
13		40072300		INNER PLATE SHEET 4530	OPTIONAL PARTS (FOR 4530)					1	
14		40072301		ALUMINUM BLANK PLATE 4530	OPTIONAL PARTS (FOR 4530)					1	
15		40072302		ALUMINUM INNER PLATE 4530	OPTIONAL PARTS (FOR 4530)					1	
16		40072303		PLASTIC INNER PLATE 4530	OPTIONAL PARTS (FOR 4530)					1	
17		40072304		INNER PLATE SHEET	OPTIONAL PARTS (FOR 6030)					1	
18		40072305		ALUMINUM BLANK PLATE	OPTIONAL PARTS (FOR 6030)					1	
19		40072306		ALUMINUM INNER PLATE	OPTIONAL PARTS (FOR 6030)					1	
20		40072307		PLASTIC INNER PLATE	OPTIONAL PARTS (FOR 6030)					1	
21		GMU01039000		CARBON BRUSH	OPTIONAL PARTS (C- OMMON P- ARTS 4530,6030)					1	

HOW TO MAKE USE OF THIS PARTS LIST

1.As to "#01" and "#02" refer to the "Note" given at the bottom of the respective pages.

2.Codes on the "Qty" column

- Each numeral indicates the number of parts required.
- "0.1" and "2.5" indicate the length (in meters) of the respective parts.

3.Parentheses mean that the corresponding part is a subpart that constructs an assembly part.

4.Dotted lines on the Figures indicate assembly parts.

1. リストページの# 0 1、# 0 2の印は、ページ下の"注記"の説明を参照下さい。
2. 数量欄の数字は、個数を表し、0. 1、2. 5等の数値は、長さ（単位メートル）を表します。
3. 数量欄の（ ）は、組部品を構成している子部品であることを意味します。
4. イラストページの-----枠は、組構成であることを意味します。

NUMERICAL INDEX OF PARTS

PART NO	PAGE	REF NO.	PART NO	PAGE	REF NO.
11043205	2	24	GMU01018000	4	52~55
40036524	4	67	GMU01019000	4	52~55
40036525	4	68	GMU01020000	4	57
40036526	4	66	GMU01021000	4	59
40051769	6	6	GMU01022000	4	60
40072298	6	1	GMU01023000	4	61
40072300	6	13·17	GMU01024000	4	62
40072301	6	14·18	GMU01036000	2	47
40072302	6	15·16	GMU01036000	4	47
40072303	6	15·16	GMU01039000	6	21
40072304	6	13·17	GMU01041000	4	69
40072305	6	14·18	GMU01042000	2	35
40072306	6	19·20	GMU01043000	2	34
40072307	6	19·20	HX00233000B	4	70
40083099	6	10	NM6100001SD	2	17
40084408	6	11	SM1040870TP	4	58
40084412	6	9	SM1040870TP	6	8
B2560220000	6	5	SM4040655SP	4	64
B2572229000	6	12	SM6030602TP	2	27
D8515761C00	2	15	SM6044552TP	2	25
F100200100A	4	63	SM6051602TP	2	50
GBR01335000	4	56	SM6051602TP	4	50
GMU01001000	2	4~6	SM6052502TP	2	21
GMU010010A0	2	1~3	SM6061202TP	6	2
GMU01001A00	2	4~6	SM8040502TP	2	32
GMU01001AA0	2	1~3	SM8050412TP	6	7
GMU01001B00	2	4~6	SS1110640TP	2	48
GMU01001BA0	2	1~3	SS1110640TP	4	48
GMU01002000	2	7	SS5090710SP	2	14
GMU01003000	2	16	SS6150710SP	2	49
GMU01004000	2	18	SS6150710SP	4	49
GMU01005000	2	8	WP0430800SD	2	65
GMU01006000	2	13	WP0430800SD	4	65
GMU01007000	2	11	WP0520656SA	2	22
GMU01008000	2	23	WP0551016SH	2	51
GMU01009000	2	31	WP0551016SH	4	51
GMU01010000	2	33	WP0611626SP	6	4
GMU01011000	2	30	WP0751576SD	2	12
GMU01012000	2	29	WP1052000SD	2	10
GMU01013000	2	45	WS0610002KP	6	3
GMU010130A0	2	36			
GMU010140A0	2	44			
GMU01015000	2	46			
GMU01016000	4	52~55			
GMU01017000	4	52~55			