

MODEL : MF-7700D (For China)

List No : 1511-02

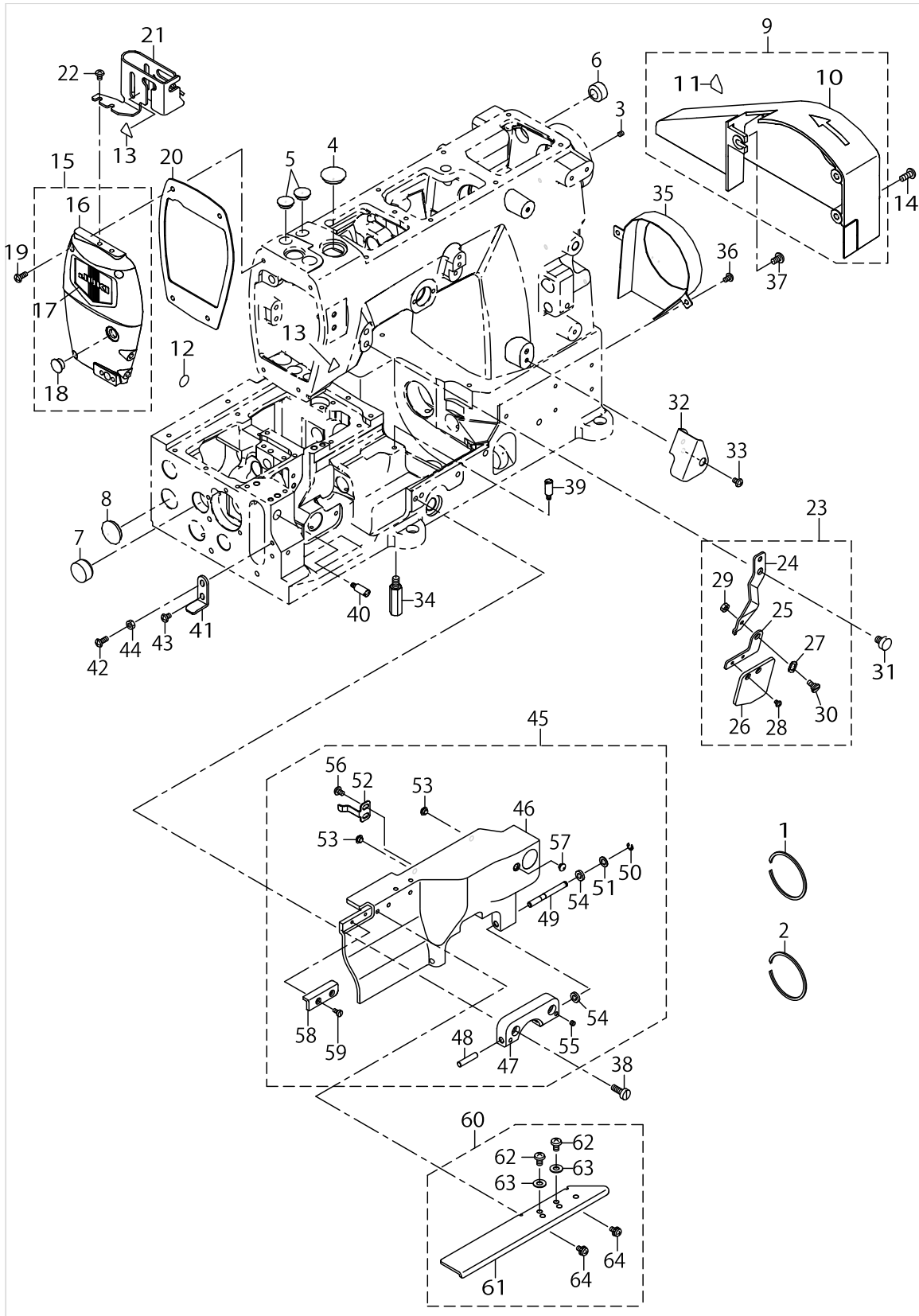
PARTS LIST

Published:05/12/2017

CONTENTS

FRAME & MISCELLANEOUS COVER COMPONENTS (1)	1
FRAME & MISCELLANEOUS COVER COMPONENTS (2)	5
MAIN SHAFT COMPONENTS	9
NEEDLE BAR & PRESSER COMPONENTS.....	13
FEED DRIVE COMPONENTS (1)	17
FEED DRIVE COMPONENTS (2)	21
THREAD TAKE-UP LEVER COMPONENTS.....	25
SPREADER COMPONENTS.....	29
LOWER THREAD CAM COMPONENTS.....	31
NEEDLE GUARD COMPONENTS.....	35
LOOPER COMPONENTS	37
THREAD TENSION COMPONENTS	39
LUBRICATION COMPONENTS	43
THREAD STAND COMPONENTS.....	47
GAUGE PARTS COMPONENTS (1) (FOR MF-7700D-U10).....	49
GAUGE PARTS COMPONENTS (2) (FOR MF-7700-C10).....	55
NEEDLE COOLING MECHANISM COMPONENTS.....	59
ACCESSORIES PARTS COMPONENTS	61
HOW TO MAKE USE OF THIS PARTS LIST	63

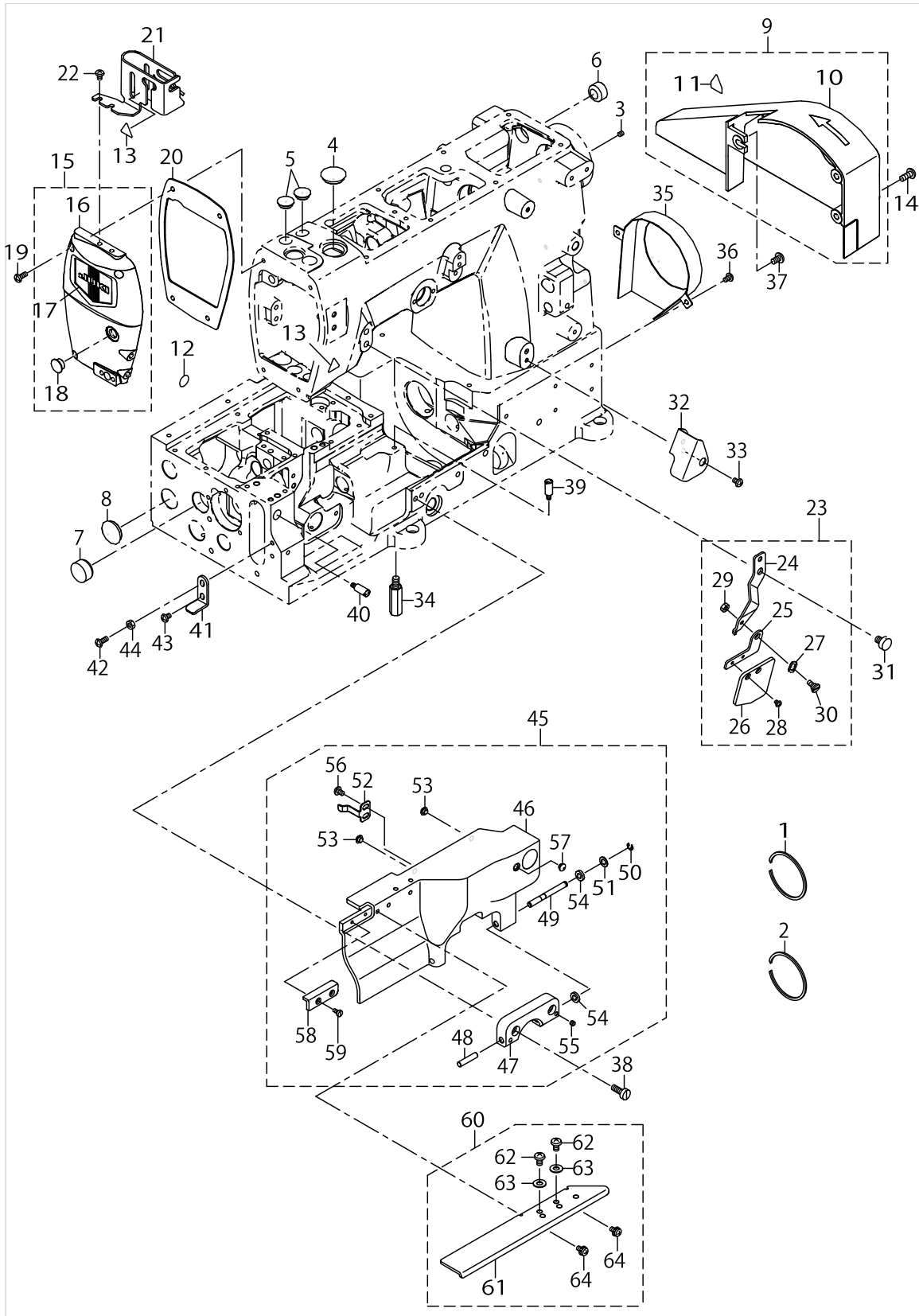
FRAME & MISCELLANEOUS COVER COMPONENTS (1)



FRAME & MISCELLANEOUS COVER COMPONENTS (1)

No.	Supply Code	Parts No.	Replacement	Parts name	Remarks	Choice	Step	Level	Cons	Qty	Rep. QTY
1		RC4881514KP		C-RING						1	
2		RC4381514KP		C-RING						1	
3		SM8040412TP		SET SCREW M4 L=4						3	
4		TA2050406R0		RUBBER PLUG						1	
5		TA1250406R0		RUBBER PLUG D=12.5 L=4						2	
6		TA1701002R0		RUBBER PLUG						1	
7		TA2101002R0		RUBBER PLUG						1	
8		TA2050416R0		RUBBER PLUG						1	
9		13302658		DRIVING_BELT_COVER_ASSY						1	
10		13302609		DRIVIN BELT COVER				*		1	
11		CM3002000A1		CAUTION LABEL(16)				*		1	
12		22901805		GROUND MARK						1	
13		CM300200001		FINGER INJURY CAUTION LABEL (16)						2	
14		SM4051255SP		SCREW.,M5 L=12.						2	
15		13300959		ASSY_HEAD_COVER						1	
16		13300900		HEAD COVER				*		1	
17		22902506		PLATE				*		1	
18		TA1050504R0		RUBBER PLUG				*		1	
19		SM4041055SP		SCREW						4	
20		13301007		GASKET H						1	
21		13301304		NEEDLE BAR GUARD						1	
22		SM4040655SP		SCREW M4 L=6						2	
23		40033518		PROTECTION_SHIELD_ASSY						1	
24		40033340		BRACKET HOLDER				*		1	
25		40033341		BRACKET				*		1	
26		13301700		PROTECTION SHIELD				*		1	
27		WZ0641510KP		WAVED WASHER 6.4X11X0.3				*		1	
28		SM4030455SN		SCREW				*		2	
29		NM6040001SP		NUT M4X0.7				*		1	
30		SD0640246SP		HINGE SCREW D=6.35 H=2.4				*		1	
31		SM6060800SP		SCREW M6 L=8						1	
32		13301403		THREAD COVER						1	
33		SM4040655SP		SCREW M4 L=6						1	
34		13301809		SUPPORT STUD						4	
35		13302401		LMS_FAN_COVER						1	
36		SM4040655SP		SCREW M4 L=6						2	
37		SM4050855SP		SCREW						1	
38		SM6051400SP		SCREW						2	
39		13302104		PIN						1	
40		13302104		PIN						1	
41		13304209		SUPPORT BRACKET						1	
42		SM4041055SP		SCREW						1	
43		SM4040655SP		SCREW M4 L=6						1	
44		NM6040001SP		NUT M4X0.7						1	
45		40099538		SWING_DOWN_COVER_ASSY						1	
46	R	40099363	40099538	SWING_DOWN_COVER				*		1	1.00

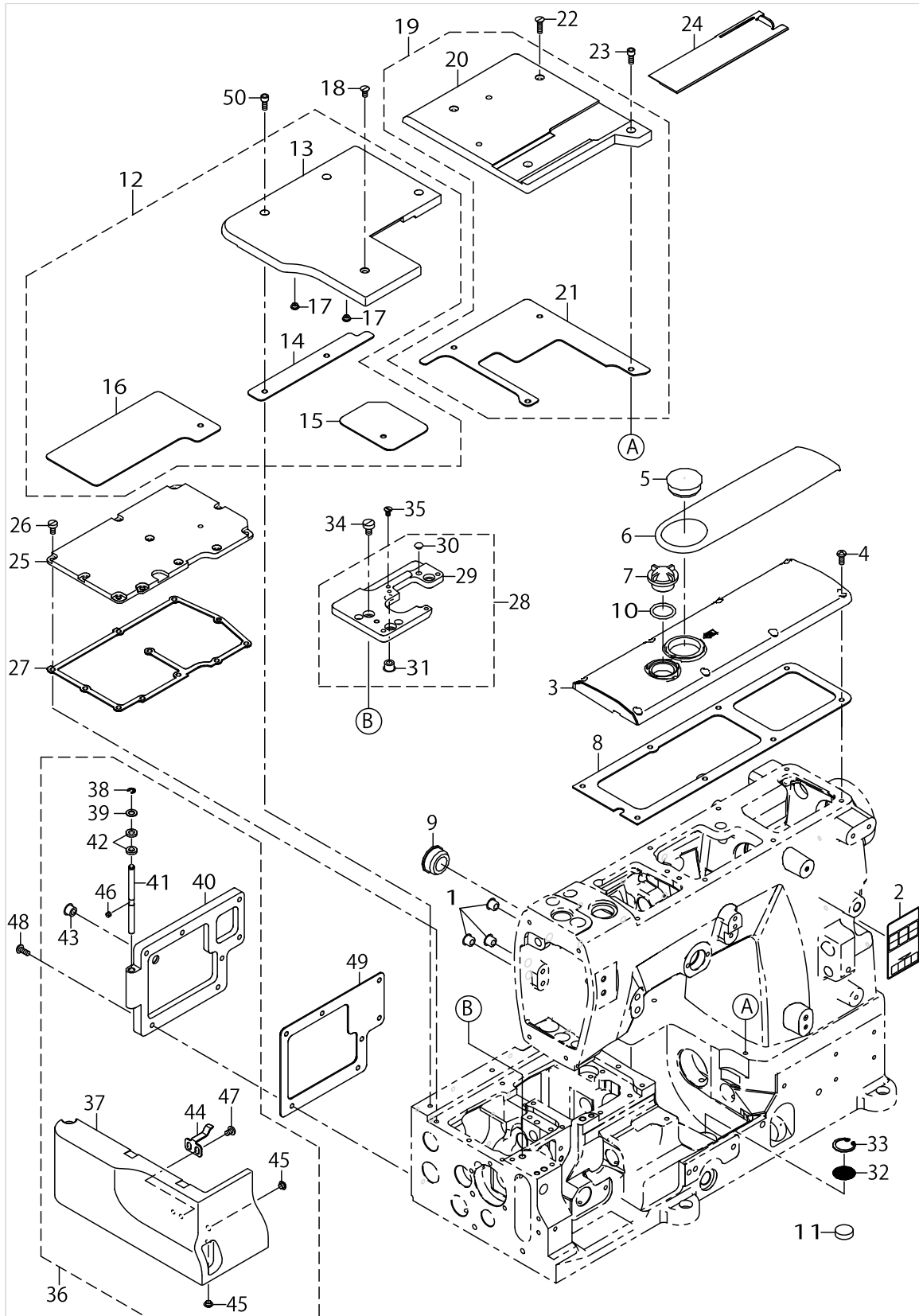
FRAME & MISCELLANEOUS COVER COMPONENTS (1)



FRAME & MISCELLANEOUS COVER COMPONENTS (1)

No.	Supply Code	Parts No.	Replacement	Parts name	Remarks	Choice	Step	Level	Cons	Qty	Rep. QTY
47		40099369		HINGE				*		1	
48		13409800		DIFF_LINK_PIN				*		1	
49		13305206		PIN_FOR_S_D_COVER				*		1	
50		RE0300000K0		E-RING 3				*		1	
51		WP0550800SP		WASHER 5.5X10X0.8				*		1	
52		13304308		LATCH SPRING				*		1	
53		13302302		RUBBER BUMPER				*		2	
54		13302708		RUBBER_WASHER				*		2	
55		SM8040360TP		SCREW				*		2	
56		SM4040655SP		SCREW M4 L=6				*		2	
57		13302302		RUBBER BUMPER				*		1	
58		40099371		BRACKET				*		1	
59		SM6030600SP		SCREW M3X0.5 L=6				*		2	
60		40099374		BINDER_BRACKET_ASSY						1	
61		40099373		BINDER_BRACKET				*		1	
62		SM5050855SN		SCREW M5 L=8				*		2	
63		WP0550836SC		WASHER 5.5X12X0.8				*		2	
64		SL4040805SC		SCREW				*		2	

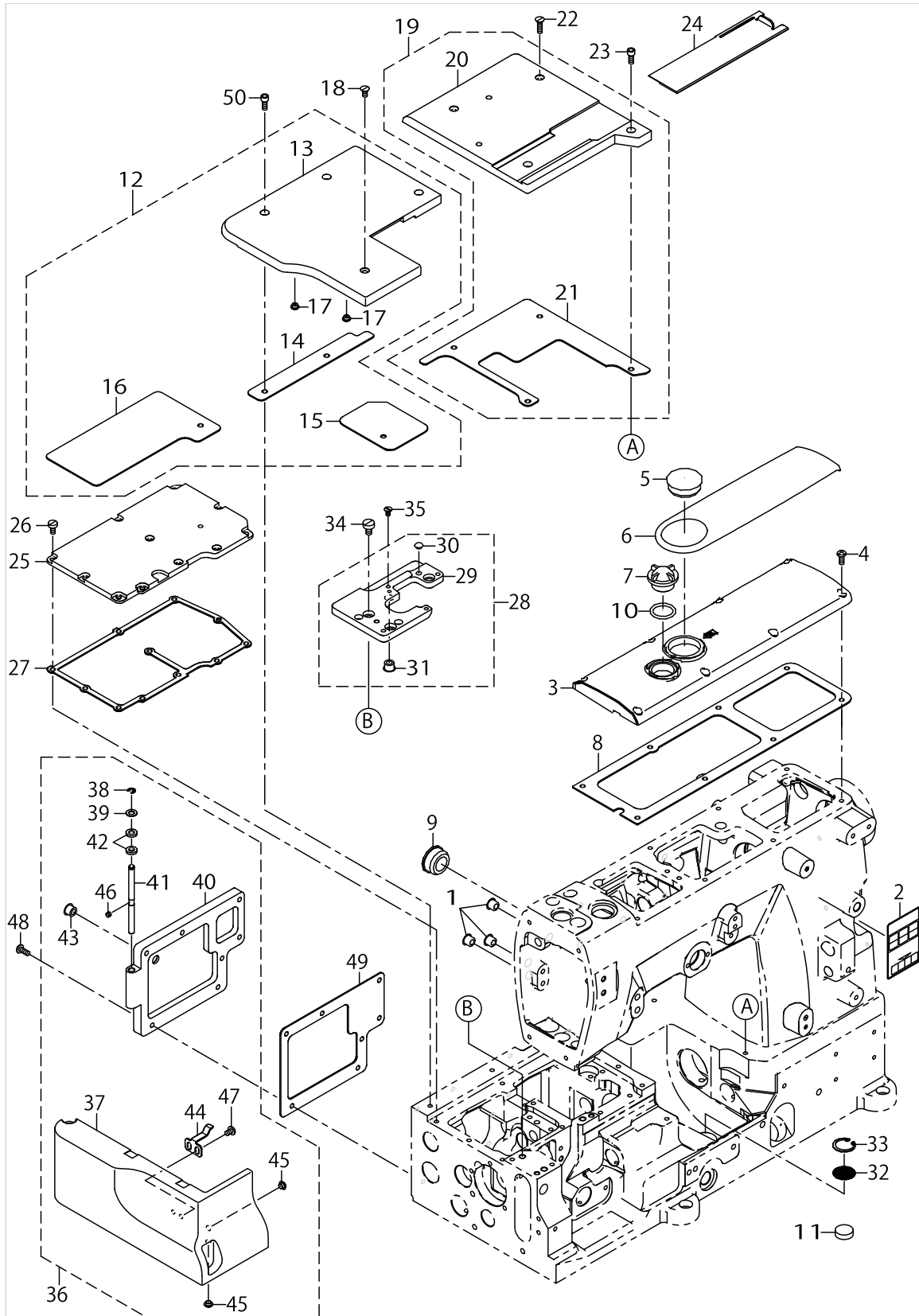
FRAME & MISCELLANEOUS COVER COMPONENTS (2)



FRAME & MISCELLANEOUS COVER COMPONENTS (2)

No.	Supply Code	Parts No.	Replacement	Parts name	Remarks	Choice	Step	Level	Cons	Qty	Rep. QTY
1		TA0850604R0		RUBBER PLUG							3
2		CM301200001		SAFETY LABEL_S							1
3		40081954		TOP_COVER_DRY							1
4		SM4041055SP		SCREW							8
5		10753309		WINDOW PLATE RUBBER PLUG							1
6		40081956		TOP_COVER_PANEL_PRINTING							1
7		22924708		OIL SIGHT WINDOW							1
8		13300801		GASKET T							1
9		TA2351004R0		RUBBER PLUG							1
10		RO195240100		RUBBER RING							1
11		40018946		FILTER							1
12		40099536		ASSY_CLOTH_PLATE_LEFT							1
13		40099365		CLOTH_PLATE_LEFT				*			1
14		13304803		GASKET_CPL				*			1
15		40099372		GASKET_TPS				*			1
16	D	13305008		GASKET_BTC				*			1
17		13302302		RUBBER BUMPER				*			2
18		SM1040800SP		SCREW							1
19		13303755		ASSY_CLOTH_PLATE_RIGHT							1
20		13303706		CLOTH PLATE RIGHT				*			1
21		13304704		GASKET_CPR				*			1
22		SM1041400SP		SCREW							2
23		SM6041002TP		SCREW M4X0.7 L=10							2
24		13303805		SLIDE COVER							1
25		13303102		BED TOP COVER							1
26		SM6040800SP		SCREW							11
27		13303201		GASKET B							1
28		40099537		ASSY_TP_SUPPORT							1
29		40099370		THROAT_PLATE_SUPPORT				*			1
30		13302302		RUBBER BUMPER				*			1
31		TA0850604R0		RUBBER PLUG				*			1
32		13426903		MESH PLATE							1
33		RC1900002KP									1
34		SM6050800SP		SCREW M5 L=8							3
35		13302203		SCREW							2
36		40099539		SIDE_COVER_ASSY							1
37		40099367		SIDE_COVER				*			1
38		RE0300000K0		E-RING 3				*			1
39		WP0550800SP		WASHER 5.5X10X0.8				*			1
40		13303904		FEED CHAMBER COVER				*			1
41		13305107		PIN_FOR_SIDE_COVER				*			1
42		13302708		RUBBER_WASHER				*			2
43		TA0850604R0		RUBBER PLUG				*			1
44		13304308		LATCH SPRING				*			1
45		13302302		RUBBER BUMPER				*			2
46		SM8040360TP		SCREW				*			1

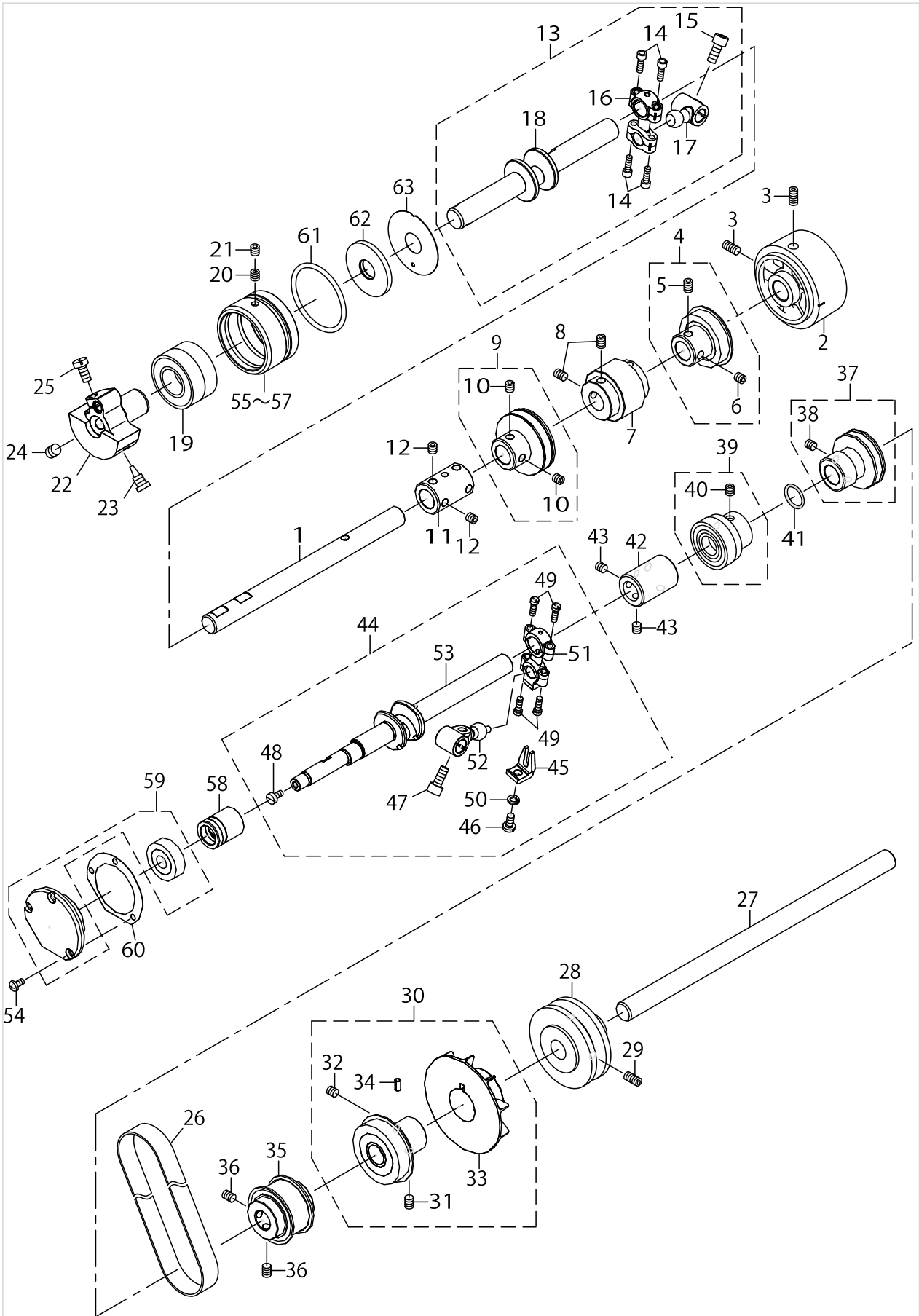
FRAME & MISCELLANEOUS COVER COMPONENTS (2)



FRAME & MISCELLANEOUS COVER COMPONENTS (2)

No.	Supply Code	Parts No.	Replacement	Parts name	Remarks	Choice	Step	Level	Cons	Qty	Rep. QTY
47		SM4040655SP		SCREW M4 L=6				*		2	
48		SM4041055SP		SCREW						7	
49		13304001		GASKET F						1	
50		SM6041002TP		SCREW M4X0.7 L=10						3	

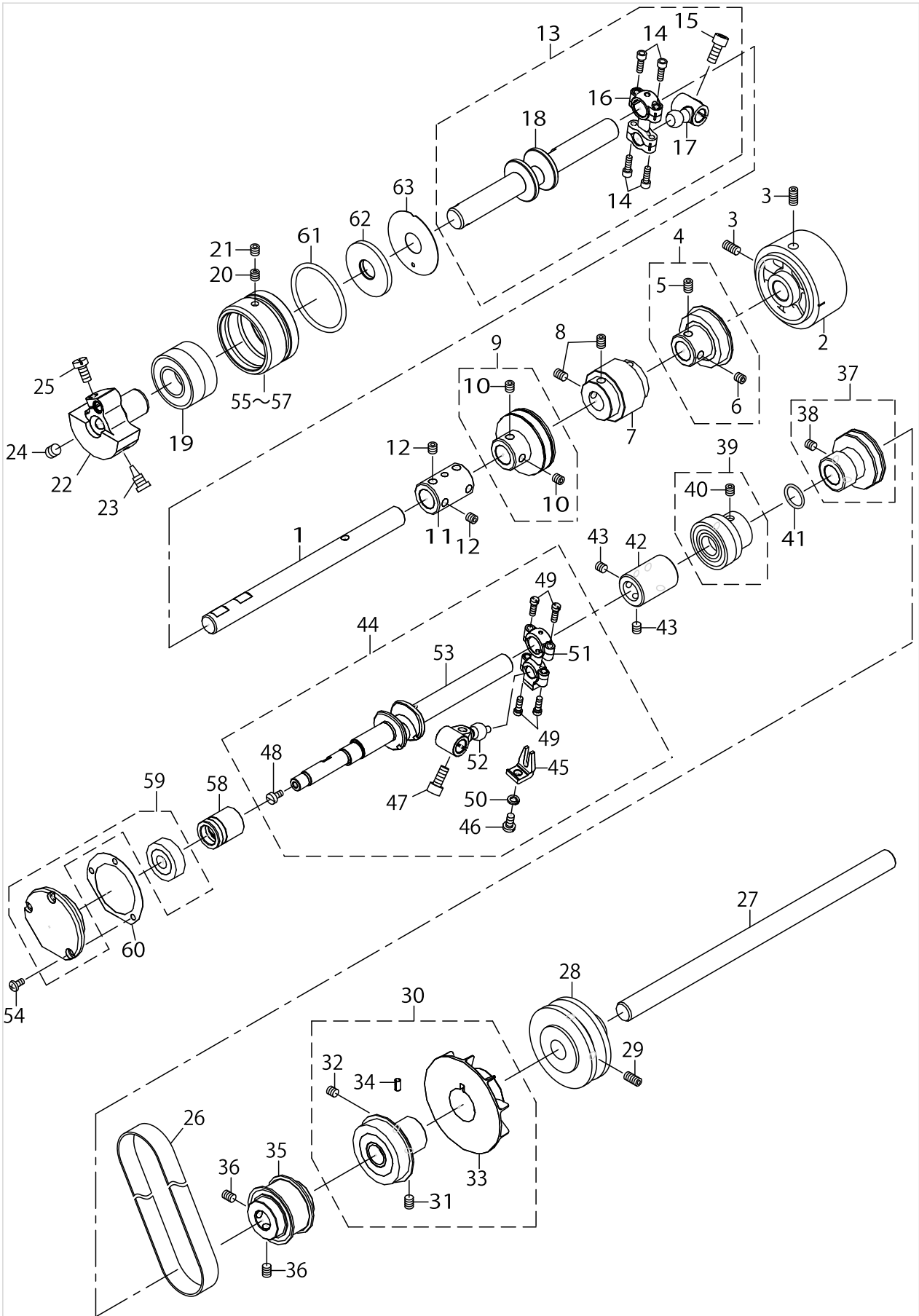
MAIN SHAFT COMPONENTS



MAIN SHAFT COMPONENTS

No.	Supply Code	Parts No.	Replacement	Parts name	Remarks	Choice	Step	Level	Cons	Qty	Rep. QTY
1		13307004		UPPER MAINSHAFT RIGHT						1	
2		13307103		UPPER PULLEY						1	
3		SM8061212TP		SCREW M6X12						2	
4		13307251		BEARING ASSY A						1	
5		SM8060842TP		SCREW M6 L=8				*		1	
6		SM8060612TP		SCREW M6 L=6				*		1	
7		13307301		UMS_SPROCKET						1	
8		SM8060812TP		SCREW M6 L=8						4	
9		13307459		BEARING ASSY B						1	
10		SM8060612TP		SCREW M6 L=6				*		2	
11		13307509		JOINT						1	
12		SM8060612TP		SCREW M6 L=6						4	
13		40078283		UMS_LEFT_ROD_ASSY						1	
14		SM6041202TP		SCREW M4X0.7 L=12				*		4	
15		SM6061402TP		SCREW M6 L=14				*		1	
16	R	13324009	13307657	ROD				*		1	1.00
17	R	13324207	13307657	CRANK				*		1	1.00
18	R	40078284	40078283	UPPER_MAINSHAFT_LEFT				*		1	1.00
19		SB120001900		BEARING						2	
20		SM8060842TP		SCREW M6 L=8						1	
21		SM8060612TP		SCREW M6 L=6						1	
22	D	40078277		COUNTER_WEIGHT						1	
23		13309208		SCREW_FOR_COUNTERWEIGHT						1	
24		SM8080812TP		SCREW M8X8						1	
25		SM6061200SP		SCREW						1	
26		13308804		TIMING_BELT						1	
27		13307905		LOWER MAINSHAFT RIGHT						1	
28		13308002		LOWER PULLEY						1	
29		SM8061212TP		SCREW M6X12						2	
30		13309158		BEARING_ASSY_F						1	
31		SM8060842TP		SCREW M6 L=8				*		1	
32		SM8060612TP		SCREW M6 L=6				*		1	
33		13309000		LMS_FAN				*		1	
34		PS0400082KP		SPRING PIN				*		1	
35		13308309		LMS_SPROCKET						1	
36		SM8060812TP		SCREW M6 L=8						4	
37		13308556		BEARING_ASSY_D						1	
38		SM8060612TP		SCREW M6 L=6				*		2	
39		13308457		BEARING_ASSY_C						1	
40		SM8060612TP		SCREW M6 L=6				*		2	
41		RO148240200		RUBBER RING						1	
42		13307509		JOINT						1	
43		SM8060612TP		SCREW M6 L=6						4	
44		13308150		LMS_LEFT_ASSY						1	
45	R	13337100	13308150	GUIDE LOOPER ROD				*		1	1.00
46		SM4051055SP		SCREW				*		1	

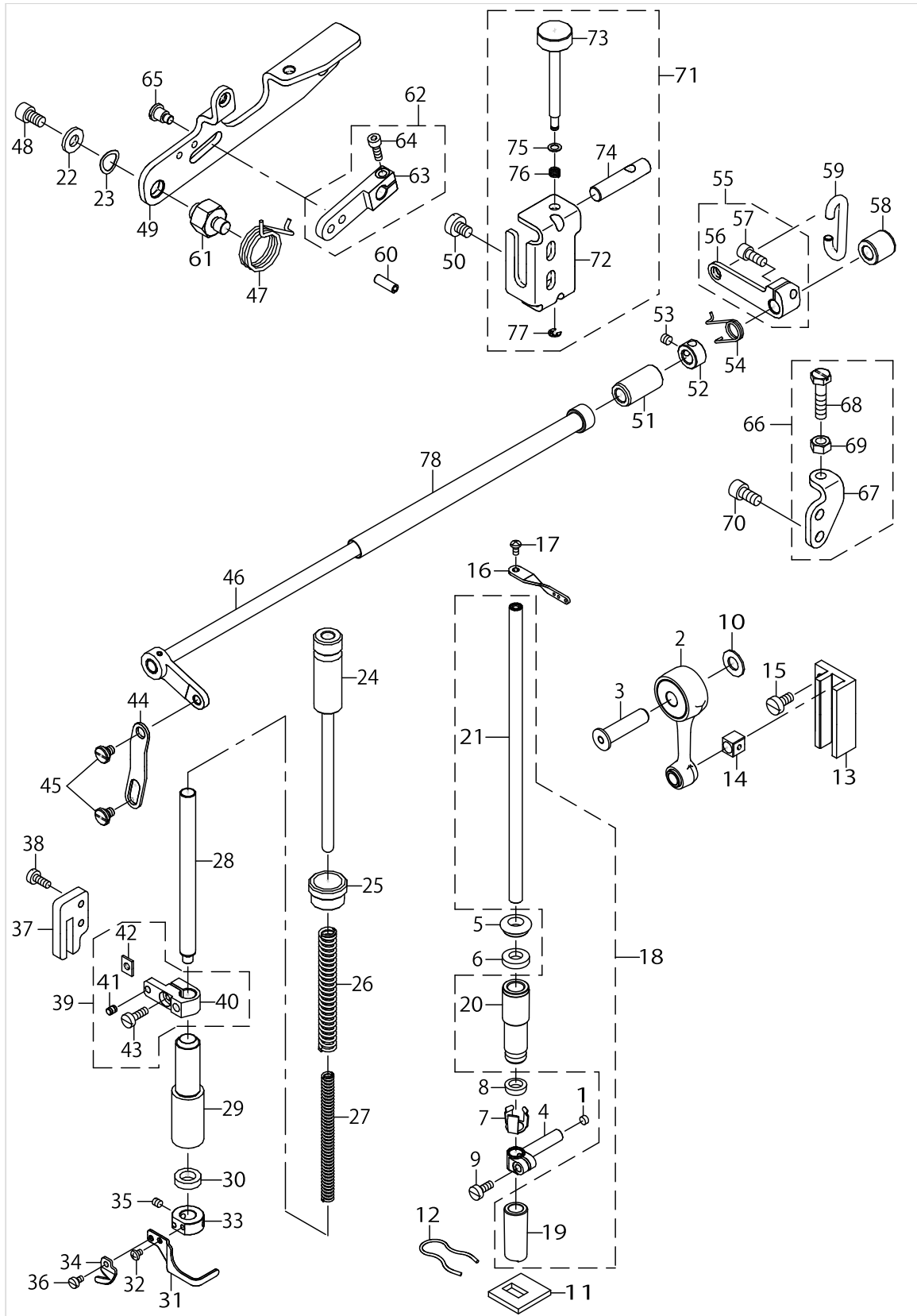
MAIN SHAFT COMPONENTS



MAIN SHAFT COMPONENTS

No.	Supply Code	Parts No.	Replacement	Parts name	Remarks	Choice	Step	Level	Cons	Qty	Rep. QTY
47		SM6061402TP		SCREW M6 L=14				*		1	
48		SM6040800SP		SCREW				*		1	
49		13324108		SCREW				*		4	
50		WS0510002KP		SPRING WASHER 5.1X9.2X1.3				*		1	
51	R	13337001	13308150	LOOPER ROD DRIVE				*		1	1.00
52	R	13337209	13308150	LOOPER DRIVE				*		1	1.00
53	R	13308101	13308150	LOWER MAINSHAFT LEFT				*		1	1.00
54		SM4040855SP		SCREW						3	
55		40078278		HOUSING_A	SELECTIVE PARTS					1	
56		40078279		HOUSING_B	SELECTIVE PARTS					1	
57		40078280		HOUSING_C	SELECTIVE PARTS					1	
58		13308200		BUSHING LMS MIDDLE						1	
59		13308655		BUSHING_LMS_LEFT_ASSY						1	
60		13308705		GASKET FOR BUSHING LEFT						1	
61		RO044530010		RUBBER RING						1	
62		40078282		OIL SEAL						1	
63		40081965		OIL_BLOCK_PLATE						1	

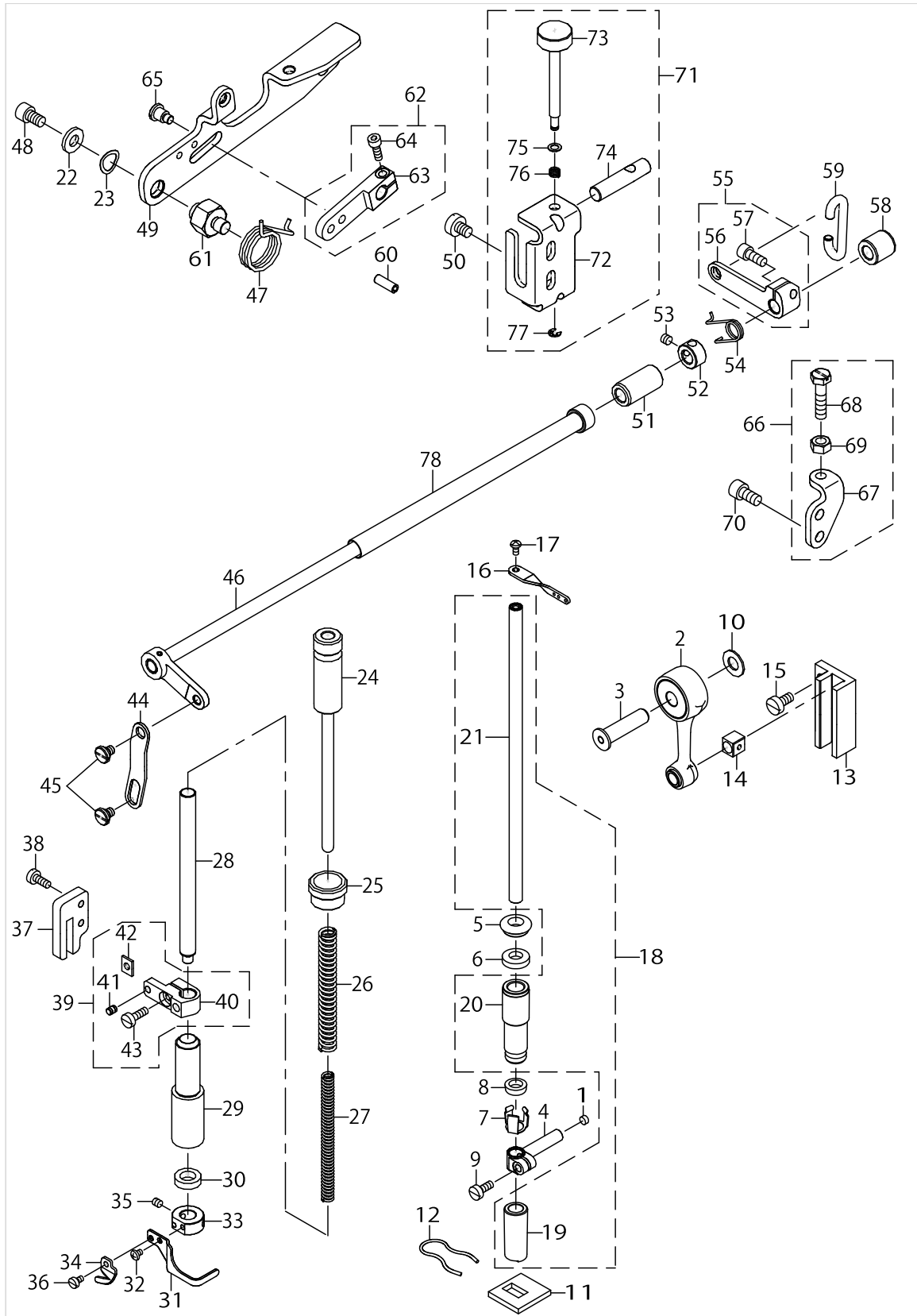
NEEDLE BAR & PRESSER COMPONENTS



NEEDLE BAR & PRESSER COMPONENTS

No.	Supply Code	Parts No.	Replacement	Parts name	Remarks	Choice	Step	Level	Cons	Qty	Rep. QTY
1		40078293		PLUG						1	
2		40078285		ASSY_NEEDLE_CRANK_ROD						1	
3		40078290		NEEDLE_CRANK						1	
4		40078292		NEEDLE_BAR_CLAMP						1	
5		40078305		BUSHING_NB_U_PRESSER_A						1	
6		40078302		BUSHING_NB_U_FELT_A						1	
7		40078306		BUSHING_NB_U_PRESSER_B						1	
8		40078303		BUSHING_NB_U_FELT_B						1	
9		SM6041000SP		SCREW M4 L=10						1	
10		40078291		WASHER						1	
11		40078301		BUSHING_NB_L_FELT						1	
12		40078304		BUSHING_NB_L_PRESSER						1	
13		40078294		NEEDLE_BAR_GUIDE						1	
14		40078295		SLIDE_BLOCK						1	
15		SM6051000SP		SCREW						3	
16		13326806		NEEDLE BAR EYELET						1	
17		SM4030655SP		SCREW						1	
18		40078317		ASSY_BUSHING_NB_DRY						1	
19		40078299		BUSHING_NB_LOWER				*		1	
20		40078300		BUSHING_NB_UPPER				*		1	
21	R	40078296	40078317	NEEDLE BAR ASSY				*		1	1.00
22		WP0702026SP		WASHER 7X15X2						1	
23		WZ1052010KP		WAVED WASHER						1	
24	R	13313051	13313068	ADJ SCREW P B ASSY						1	1.00
25	R	13313101	13313068	LOCKING NUT						1	1.00
26		13313309		SPRING PRESSER BAR A						1	
27		13313408		SPRING PRESSER BAR B						1	
28	R	13313507	40070559	PRESSER BAR						1	1.00
29		13313705		BUSHING PRESSER BAR						1	
30		13315908		OIL SEAL						1	
31		40018259		FINGER_GUARD						1	
32		SM4030455SP		SCREW						1	
33		13313606		COLLAR						1	
34		13316302		THREAD_TRIMMER						1	
35		SM8040410TP		SCREW						2	
36		SM6030500SN		SCREW M3 L=5						1	
37		13313804		GUIDE PLATE						1	
38		SM6041000SP		SCREW M4 L=10						2	
39		13313952		P_B_BRACKET_ASSY						1	
40	R	13313903	13313952	PRESSER BAR BRACKET				*		1	1.00
41		13316203		P_B_BRACKET_PIN				*		1	
42		13333208		WASHER				*		1	
43		SM6041200SP		SCREW M4 L=12				*		1	
44		13314109		LINK						1	
45		SD0700206TP		SHOULDER SCREW						2	
46		40078307		ASSY_LIFTER_SHAFT_DRY						1	

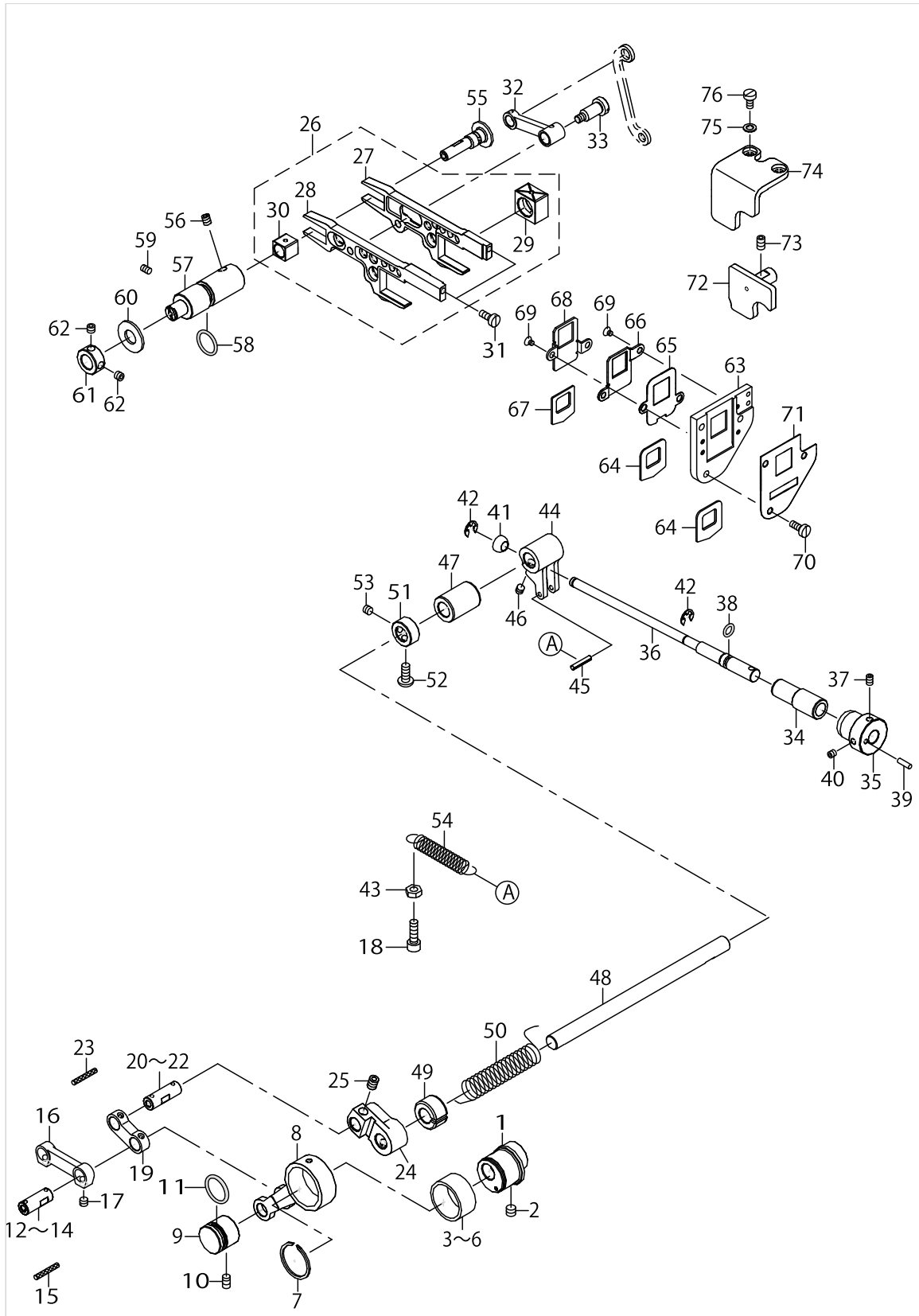
NEEDLE BAR & PRESSER COMPONENTS



NEEDLE BAR & PRESSER COMPONENTS

No.	Supply Code	Parts No.	Replacement	Parts name	Remarks	Choice	Step	Level	Cons	Qty	Rep. QTY
47		13315205		SPRING LIFTER LEVER						1	
48		SM6061002TP		SCREW M6 L=10						1	
49		13315007		LIFTER LEVER						1	
50		SM6060800SP		SCREW M6 L=8						1	
51		13314406		BUSHING LIFTER FRONT						1	
52		CS0800881TP		THRUST COLLAR						1	
53		SM8050412TP		SCREW M5 L=4						2	
54		13314802		SPRING PF LIFT						1	
55		13314752		LIFTER_SHAFT_LEVER_ASSY						1	
56		13314703		LIFTER SHAFT LEVER				*		1	
57		SM6051202TP		SCREW M5X0.8 L=12				*		1	
58		13314505		BUSHING LIFTER REAR						1	
59		13314901		LIFTER HOOK						1	
60		PS0500142KP		SPRING PIN						1	
61		13315106		LIFTER LEVER HOLDER						1	
62		13315353		TENS_RELEASE_LEVER_ASSY						1	
63		13315304		TENSION RELEASE LEVER				*		1	
64		SM6041202TP		SCREW M4X0.7 L=12				*		1	
65		SD0700586TP		SHOULDER SCREW						1	
66		13315551		STOPPER_ASSY						1	
67		13315502		LIFTER LEVER STOPPER				*		1	
68		SM9062550TP		SCREW				*		1	
69		NM6060001CP		NUT M6				*		1	
70		SM6061202TP		SCREW M6 L=12						2	
71		13315650		MINUTE_LIFTING_ASSY						1	
72		13315601		BRACKET				*		1	
73		13315700		SCREW				*		1	
74		13315809		SLIDER				*		1	
75		WP0460556SD		WASHER 4.6X7.5X0.5				*		1	
76		13123302		ADJUSTING SPRING				*		1	
77		RE0300000K0		E-RING 3				*		1	
78		40078320		PIPE_ASSY						1	

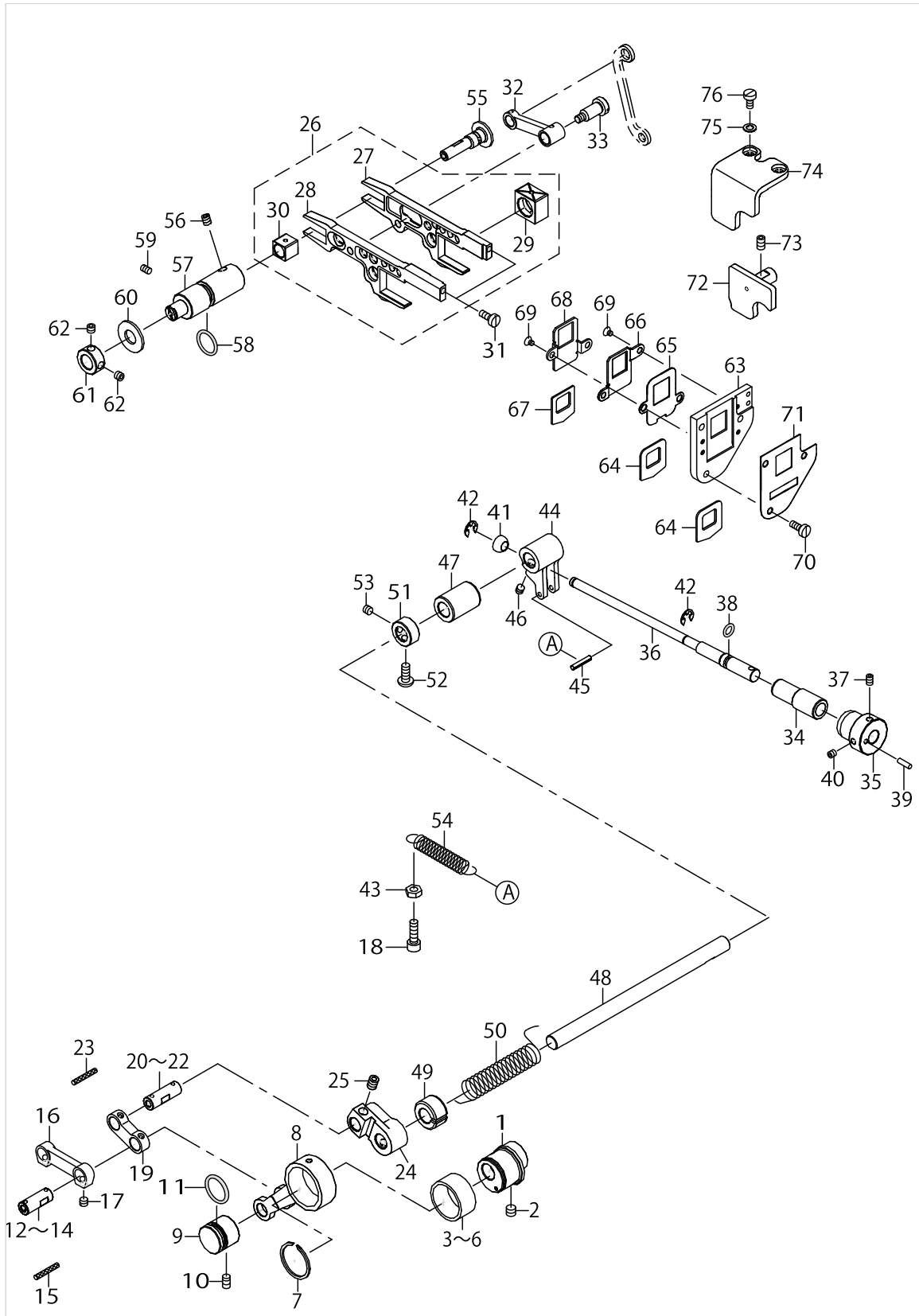
FEED DRIVE COMPONENTS (1)



FEED DRIVE COMPONENTS (1)

No.	Supply Code	Parts No.	Replacement	Parts name	Remarks	Choice	Step	Level	Cons	Qty	Rep. QTY
1		13317003		FEED ECCENTRIC						1	
2		SM8060552TP		SCREW M6 L=5						2	
3		B1426180A00		NEEDLE BEARING (A)	SELECTIVE PARTS					1	
4		B1426180B00		NEEDLE BEARING (B)	SELECTIVE PARTS					1	
5		B1426180C00		NEEDLE BEARING (C)	SELECTIVE PARTS					1	
6		B1426180D00		NEEDLE BEARING (D)	SELECTIVE PARTS					1	
7		RC2251213KP		C-RING						1	
8		13317102		CRANK_ROD						1	
9		13323803		CRANK ROD GUIDE						1	
10		SM8050812TP		SCREW M5X8						1	
11		RO158240100		O-RING						1	
12		13323308		FEED_ADJ_LINK_PIN_A	SELECTIVE PARTS					1	
13		13323407		FEED_ADJ_LINK_PIN_B	SELECTIVE PARTS					1	
14		13323506		FEED_ADJ_LINK_PIN_C	SELECTIVE PARTS					1	
15		CQ303000000		OIL WICK						.07	
16		13317201		MAIN FEED DRIVE LINK						1	
17		SM8050412TP		SCREW M5 L=4						2	
18		SM6051602TP		SCREW M5X0.8 L=16						1	
19		13317300		ADJUST LINK						1	
20		13317409		FEED ADJ LINK PIN A	SELECTIVE PARTS					1	
21		13317508		FEED ADJ LINK PIN B	SELECTIVE PARTS					1	
22		13317607		FEED ADJ LINK PIN C	SELECTIVE PARTS					1	
23		CQ303000000		OIL WICK						.08	
24		13317706		MAIN FEED ADJ LEVER						1	
25		SM8060552TP		SCREW M6 L=5						2	
26		13321658		FEED_BAR_ASSY						1	
27	R	13321609	13321658	MAIN FEED BAR				*		1	1.00
28	R	13321708	13321658	DIFF FEED BAR				*		1	1.00
29	D	13321401		SLIDE BLOCK				*		1	
30	R	13322409	13321658	SLIDE BLOCK				*		1	1.00
31		SM6041000SP		SCREW M4 L=10						2	
32		13319702		DIFF FEED LINK						1	
33		SD0801326TH		SHOULDER SCREW						1	
34		13318209		BUSHING FEED ADJUST						1	
35		13318001		KNOB FEED ADJUST						1	
36		13318100		SHAFT FEED ADJUST						1	
37		SM8040602TP		SCREW M4X0.7 L=6						1	
38		RO055200100		RUBBER RING						1	
39		B3215470000		PIN						1	
40		SM8040412TP		SET SCREW M4 L=4						1	
41		13318308		STOPPER FEED ADJUST						1	
42		RE0500000K0		E-RING						2	
43		NM6050001SP		NUT M5						1	
44		13317904		FEED ADJUST LEVER						1	
45		PS0300162KH		SPRING PIN 3X16						1	
46		SM8050412TP		SCREW M5 L=4						1	

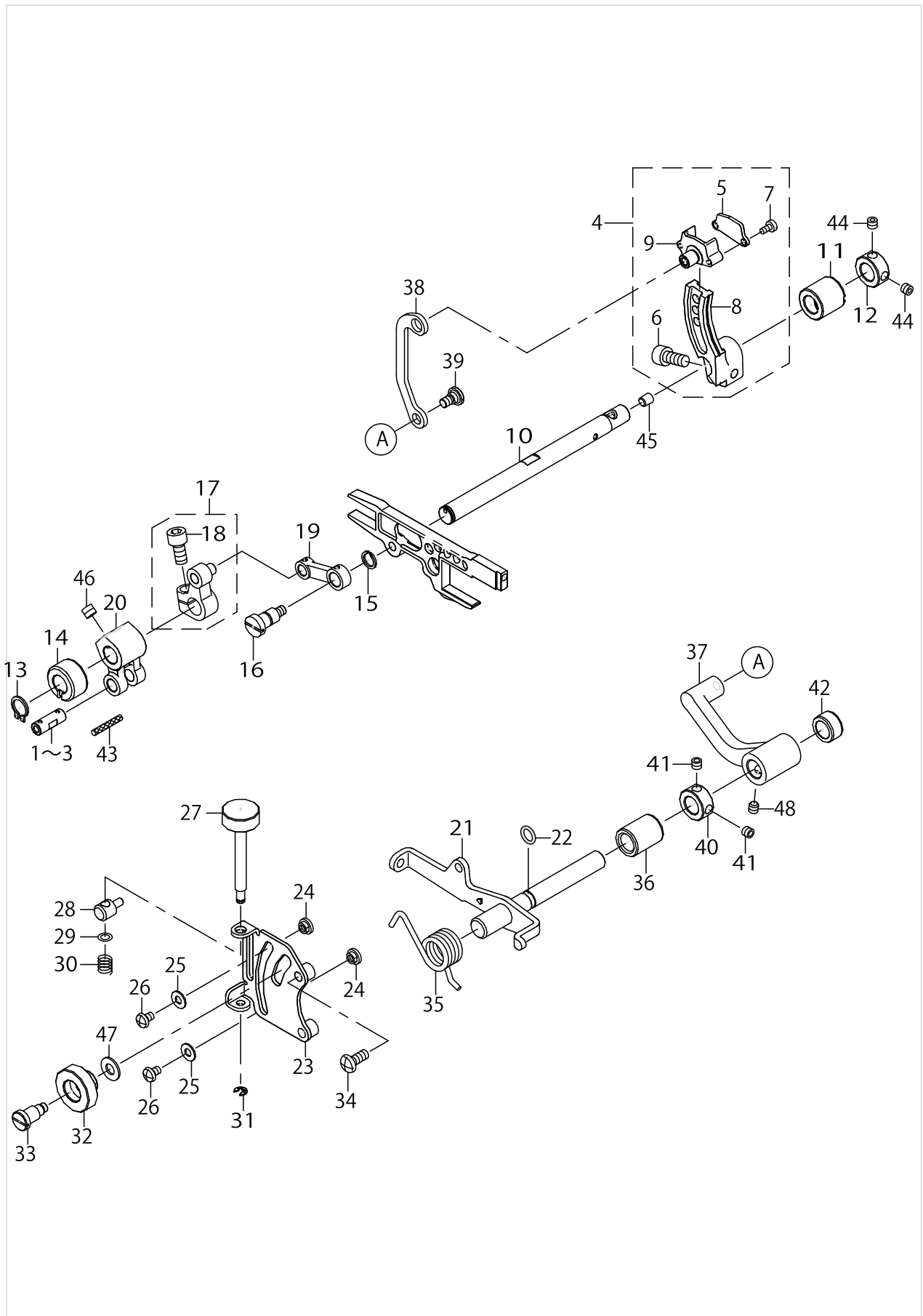
FEED DRIVE COMPONENTS (1)



FEED DRIVE COMPONENTS (1)

No.	Supply Code	Parts No.	Replacement	Parts name	Remarks	Choice	Step	Level	Cons	Qty	Rep. QTY
47		13323100		BUSHING_FEED_ADJ						1	
48		13317805		FEED ADJUST SHAFT						1	
49		13319108		BUSHING FEED FRONT						1	
50		13318506		TORSIN SPRING						1	
51		CS1000881TP		THRUST COLLAR						1	
52		SM4051255SP		SCREW.,M5 L=12.						1	
53		SM8050412TP		SCREW M5 L=4						1	
54		B2556280000		SPRING						1	
55		13322201		ECCENTRIC PIN						1	
56		SM8060552TP		SCREW M6 L=5						1	
57		13322003		FEED BAR SHAFT						1	
58		RO137230100		RUBBER RING						1	
59		SM8040612TP		SCREW M4 L=6						1	
60		13322102		WASHER FEED BAR SHAFT						1	
61		CS1000881TP		THRUST COLLAR						1	
62		SM8050412TP		SCREW M5 L=4						2	
63		13322508		FEEDBARSEALCASE						1	
64		13322607		FEED BAR SEAL 1						2	
65		13322706		FEED BAR SEAL PLATE 1						1	
66		13322805		FEED BAR SEAL PLATE 2						1	
67		13323001		FEED BAR SEAL 2						1	
68		13322904		FEED BAR SEAL PLATE 3						1	
69		SM1030400SP		SCREW M3 L=4						4	
70		SM6041000SP		SCREW M4 L=10						3	
71	D	13323605		DUST PROOF PLATE						1	
72		13321807		FEED BAR GUIDE 1						1	
73		SM8050812TP		SCREW M5X8						1	
74		13321906		FEED BAR GUIDE 2						1	
75		WP0480856SP		WASHER 4.8X8.4X0.8						2	
76		SM6040800SP		SCREW						2	

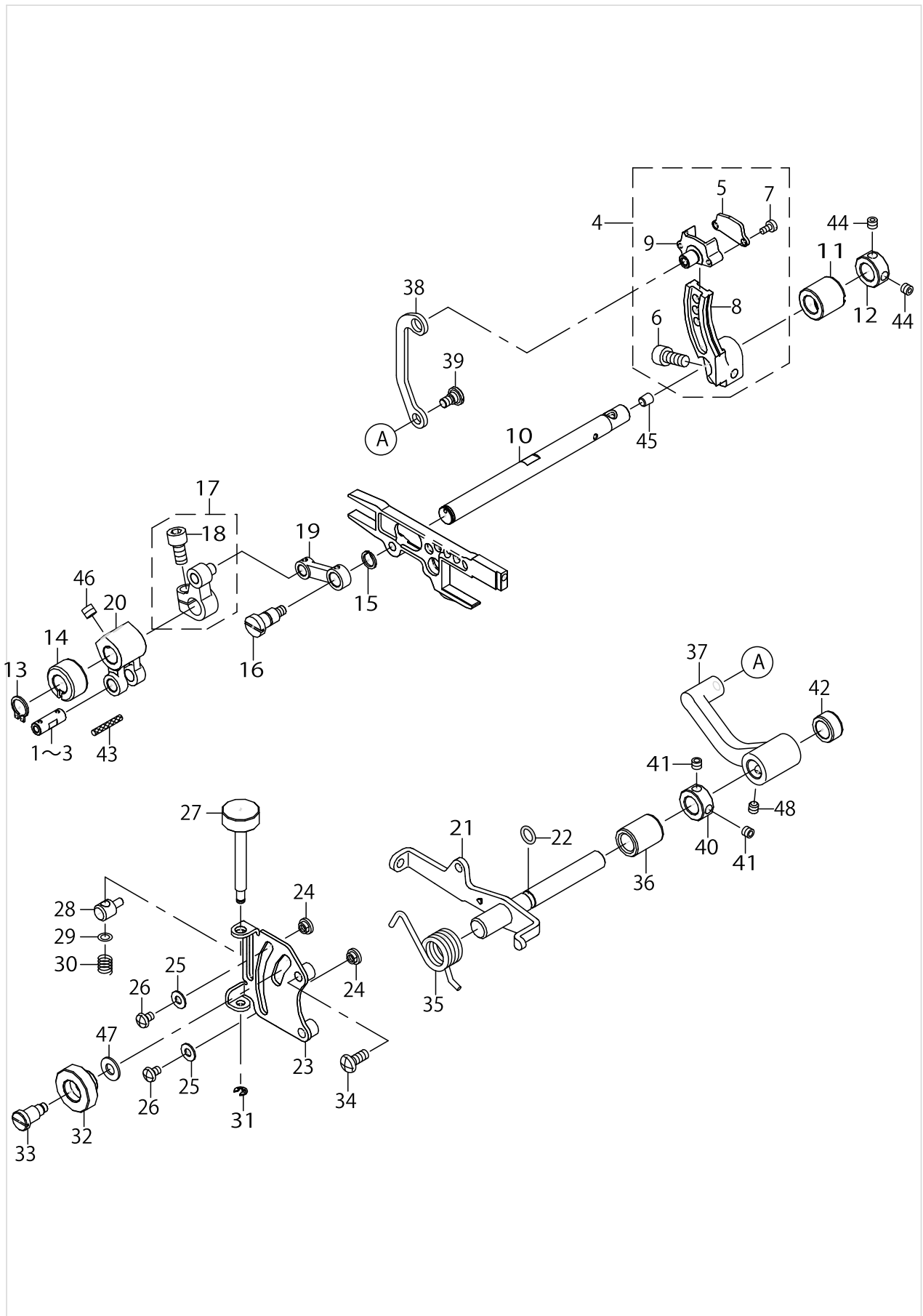
FEED DRIVE COMPONENTS (2)



FEED DRIVE COMPONENTS (2)

No.	Supply Code	Parts No.	Replacement	Parts name	Remarks	Choice	Step	Level	Cons	Qty	Rep. QTY
1		13318704		MAIN FEED CRANK PIN A	SELECTIVE PARTS					1	
2		13318803		MAIN FEED CRANK PIN B	SELECTIVE PARTS					1	
3		13318902		MAIN FEED CRANK PIN C	SELECTIVE PARTS					1	
4		13319959		DIFF_DRIVE_ARM_ASSY						1	
5		13320106		DIFF FEED PIN PLATE				*		1	
6		SM6061402TP		SCREW M6 L=14				*		1	
7		SM6030600SP		SCREW M3X0.5 L=6				*		2	
8	R	13319900	13319959	DIFF DRIVE ARM				*		1	1.00
9		13320007		DIFF FEED PIN				*		1	
10		13319009		ROCKER SHAFT						1	
11		13319207		BUSHING FEED REAR						1	
12		CS1000881TP		THRUST COLLAR						1	
13		RC0100001KP		SNAP RING M10						1	
14		13319108		BUSHING FEED FRONT						1	
15		RC0741013KP		C-RING						1	
16		13398409		SHOULDER SCREW						1	
17		13319355		MAIN_FEED_ROCKER_ASSY						1	
18		SM6061202TP		SCREW M6 L=12				*		1	
19		13319504		MAIN FEED LINK						1	
20		13318605		MAIN FEED CRANK						1	
21	D	13320650		DIFF FEED LEVER ASSY						1	
22		RO068190100		RUBBER RING						1	
23	D	13320809		PLATE DIFF FEED LEVER						1	
24		13321203		STOPPER DIFF ADJ						2	
25		WP0450826SC		WASHER 4.5X10X0.8						2	
26		SM5040655SN		SCREW						2	
27		13213012		ADJUSTING SCREW						1	
28		13217708		DIFFERENTIAL FEED BLOCK						1	
29		WP0460556SD		WASHER 4.6X7.5X0.5						1	
30		13123302		ADJUSTING SPRING						1	
31		RE0300000K0		E-RING 3						1	
32		13217500		DIFFERENTIAL FEED LOCK NUT						1	
33		13217401		DIFFERENTIAL FEED HINGE SCREW						1	
34		SM4051255SP		SCREW..M5 L=12.						2	
35	D	13321302		TORSIN SPRING						1	
36		13320304		BUSHING DIFF ADJ LEVER						1	
37		13320403		DIFF ADJ LEVER						1	
38		40018443		DIFF_ADJ_LINK						1	
39		31013808		HINGE SCREW						1	
40		CS1000881TP		THRUST COLLAR						1	
41		SM8050412TP		SCREW M5 L=4						2	
42		13323209		BUSHING_DIFF_ADJ_LEVER						1	
43		CQ303000000		OIL WICK						.04	
44		SM8050412TP		SCREW M5 L=4						2	
45		TA0500601M0		PLUG D=5X5.4 L=6						1	
46		SM8060552TP		SCREW M6 L=5						2	

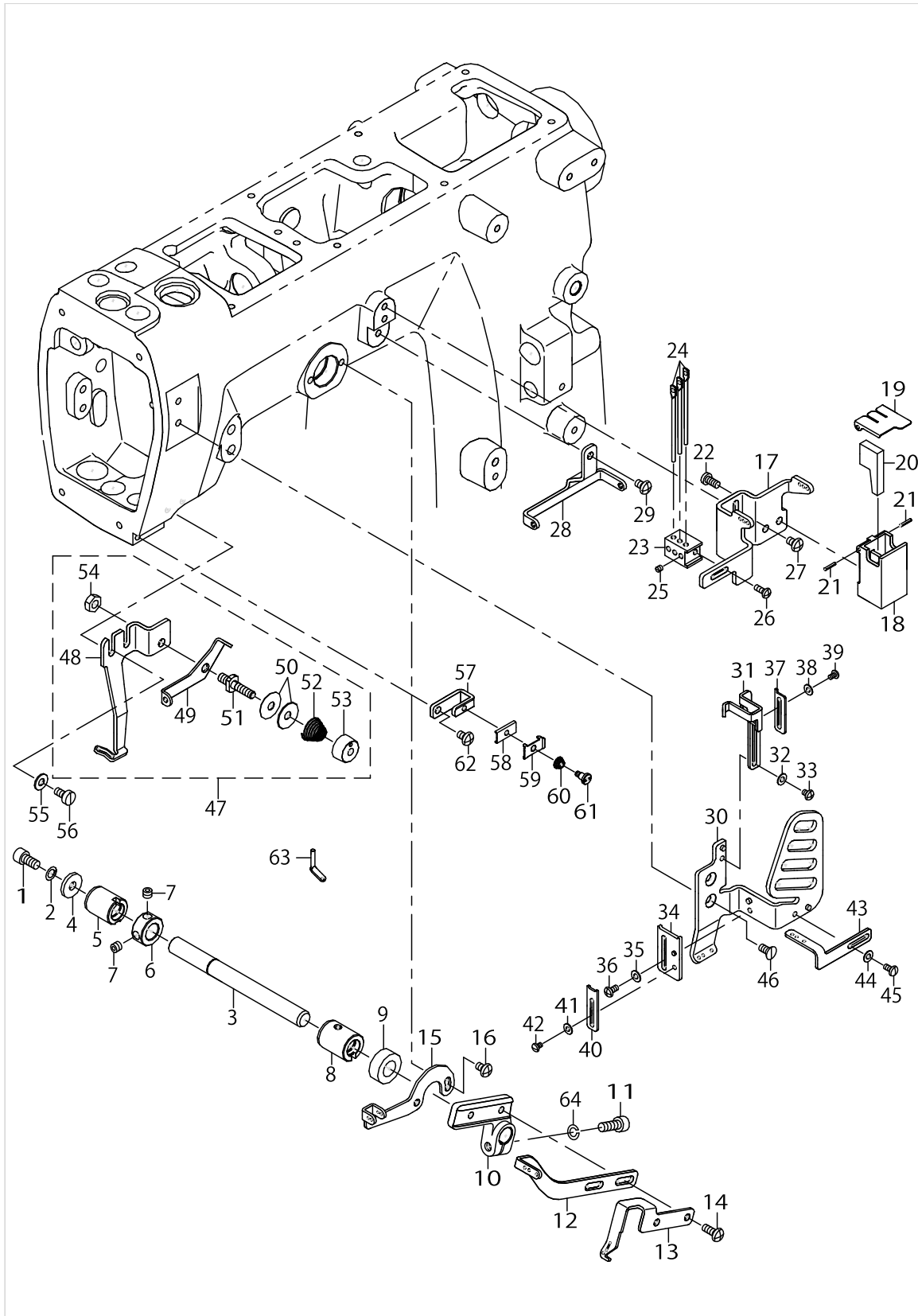
FEED DRIVE COMPONENTS (2)



FEED DRIVE COMPONENTS (2)

No.	Supply Code	Parts No.	Replacement	Parts name	Remarks	Choice	Step	Level	Cons	Qty	Rep. QTY
47		WP0621016SD		WASHER 6.2X13X1						1	
48		SM8050412TP		SCREW M5 L=4						1	

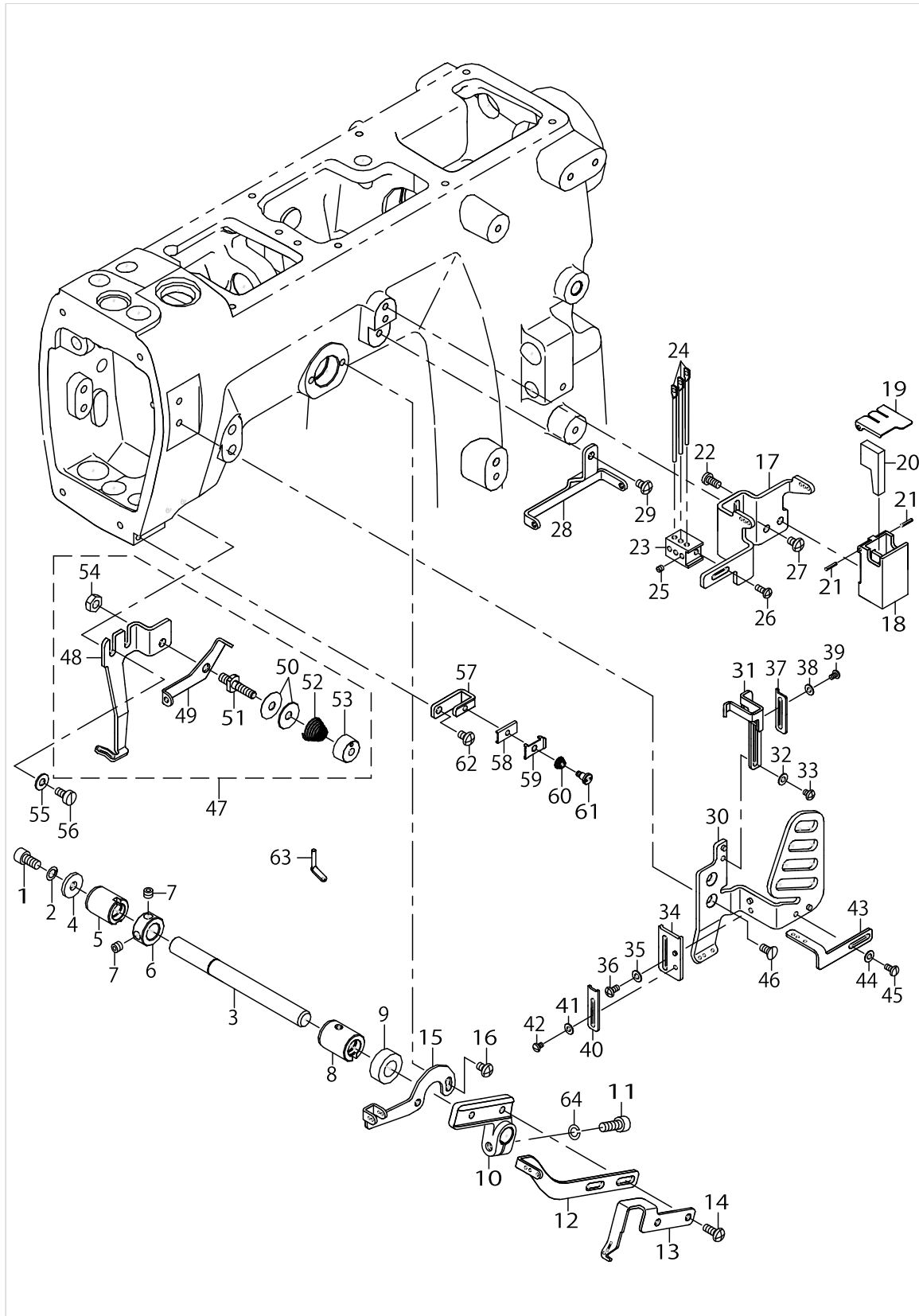
THREAD TAKE-UP LEVER COMPONENTS



THREAD TAKE-UP LEVER COMPONENTS

No.	Supply Code	Parts No.	Replacement	Parts name	Remarks	Choice	Step	Level	Cons	Qty	Rep. QTY
1		SM6051002TP		SCREW M5X0.8 L=10						1	
2		WS0510002KP		SPRING WASHER 5.1X9.2X1.3						1	
3		13324306		SHAFT						1	
4		WP0522016SH		WASHER						1	
5		13324504		BUSHING REAR						1	
6		CS1000881TP		THRUST COLLAR						1	
7		SM8050412TP		SCREW M5 L=4						2	
8		13324603		BUSHING FRONT						1	
9		23612609		FEED CHANGING SHAFT OIL SEAL						1	
10		13324702		HOLDER TAKE UP EYELET						1	
11		SM6051402TP		SCREW M5X0.8 L=14						1	
12		13324801		NDL THREAD TAKE UP						1	
13		13324900		UP LPR THREAD TAKE UP						1	
14		SM4041055SP		SCREW						2	
15		13325006		THREAD GUIDE						1	
16		SM4040655SP		SCREW M4 L=6						2	
17		13325105		THREAD TENSION GUIDE						1	
18		13348008		TANK						1	
19		B9213850000		SILICONE OIL TANK COVER, UPPER						1	
20		B9214850000		HEAT REMOVING FELT						1	
21		PS0150082KH		SPRING PIN						2	
22		ST4040851SN		TAPPING SCREW M4X8						2	
23		13325204		HOLDER						1	
24	R	30391601	40074316	NEEDLE THREAD EYELET						3	1.00
25		SM8030350TP		SCREW						3	
26		SM4030855SN		SCREW M3 L=8.0						1	
27		SM4040655SP		SCREW M4 L=6						2	
28		13325402		THREAD GUIDE						1	
29		SM4040655SP		SCREW M4 L=6						1	
30		13325501		COVER						1	
31		13325709		NDL THD STRIKE OFF						1	
32		WP0320501SC		WASHER M3						1	
33		SM4030455SP		SCREW						1	
34		13325600		THD STRIKE OFF PLATE						1	
35		WP0320501SC		WASHER M3						1	
36		SM4030655SP		SCREW						1	
37		13326905		NDL THD STRIKE OFF R						1	
38		WP0280501SC		WASHER M2.6						1	
39		SM4850455SP		SCREW						1	
40		13327002		THD STRIKE OFF PLATE R						1	
41		WP0280501SC		WASHER M2.6						1	
42		SM4850455SP		SCREW						1	
43		13327101		THREAD_GUIDE						1	
44		WP0320501SC		WASHER M3						1	
45		SM4030655SP		SCREW						1	
46		SM1040800SP		SCREW						2	

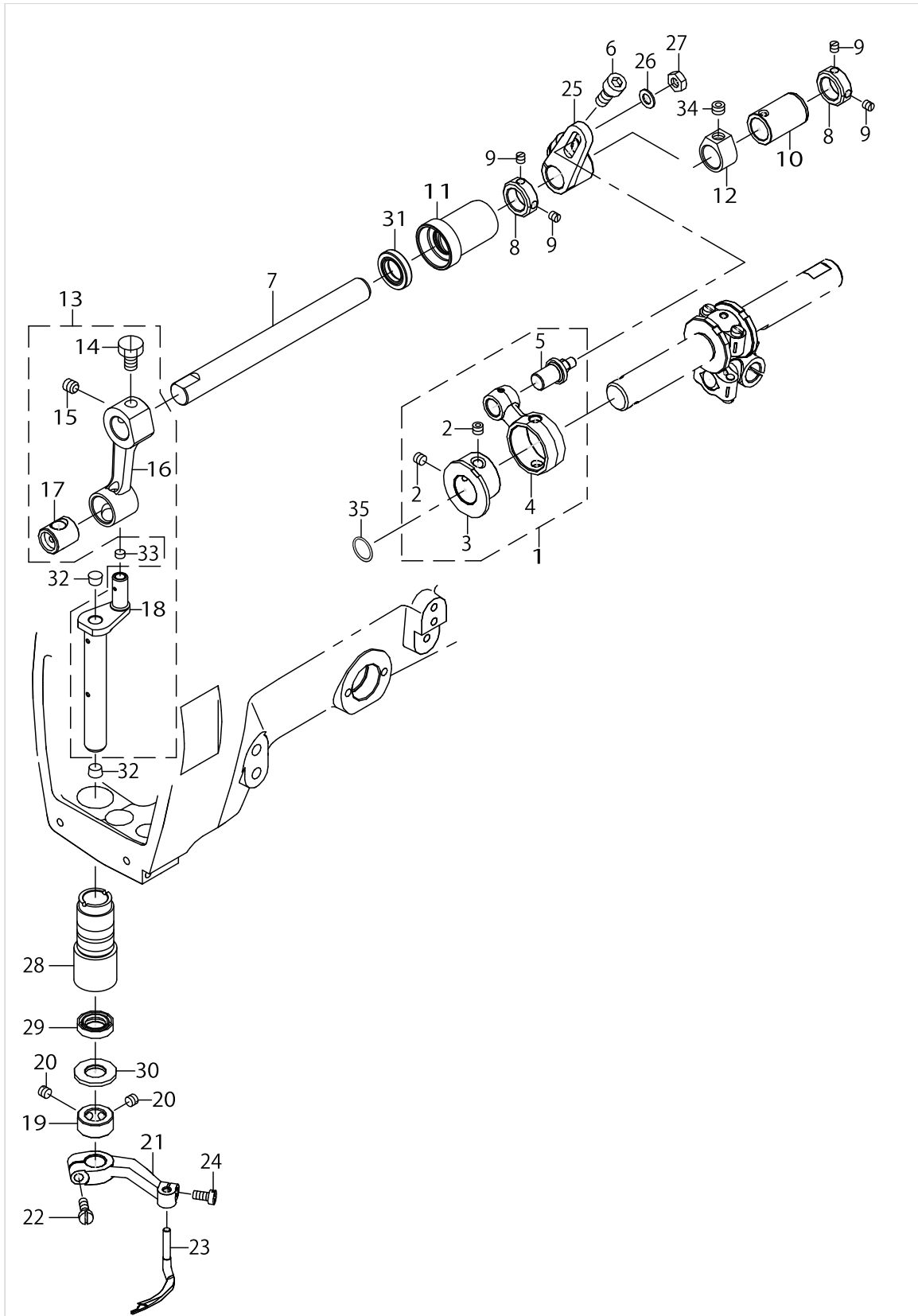
THREAD TAKE-UP LEVER COMPONENTS



THREAD TAKE-UP LEVER COMPONENTS

No.	Supply Code	Parts No.	Replacement	Parts name	Remarks	Choice	Step	Level	Cons	Qty	Rep. QTY
47		13326350		UP_LPR_TENSION_ASSY						1	
48		13326301		THREAD GUIDE UPPER LPR				*		1	
49		13326400		THREAD GUIDE				*		1	
50		22945802		THREAD TENSION DISK				*		2	
51		13326509		TENSION POST				*		1	
52		22945505		THREAD TENSION SPRING				*		1	
53		13326608		TENSION NUT				*		1	
54		NM6050001SP		NUT M5				*		1	
55		WP0450826SC		WASHER 4.5X10X0.8						2	
56		SM6040800SP		SCREW						2	
57		13325808		NIPPER PLATE SUPPORT						1	
58		13325907		NIPPER PLATE						1	
59		13326004		NIPPER GUIDE PLATE						1	
60		13326103		SPRING						1	
61		13326202		SHOULDER SCREW						1	
62		SM4040655SP		SCREW M4 L=6						1	
63		13326707		THREAD GUIDE						1	
64		WS0510002KN		SPRING WASHER						1	

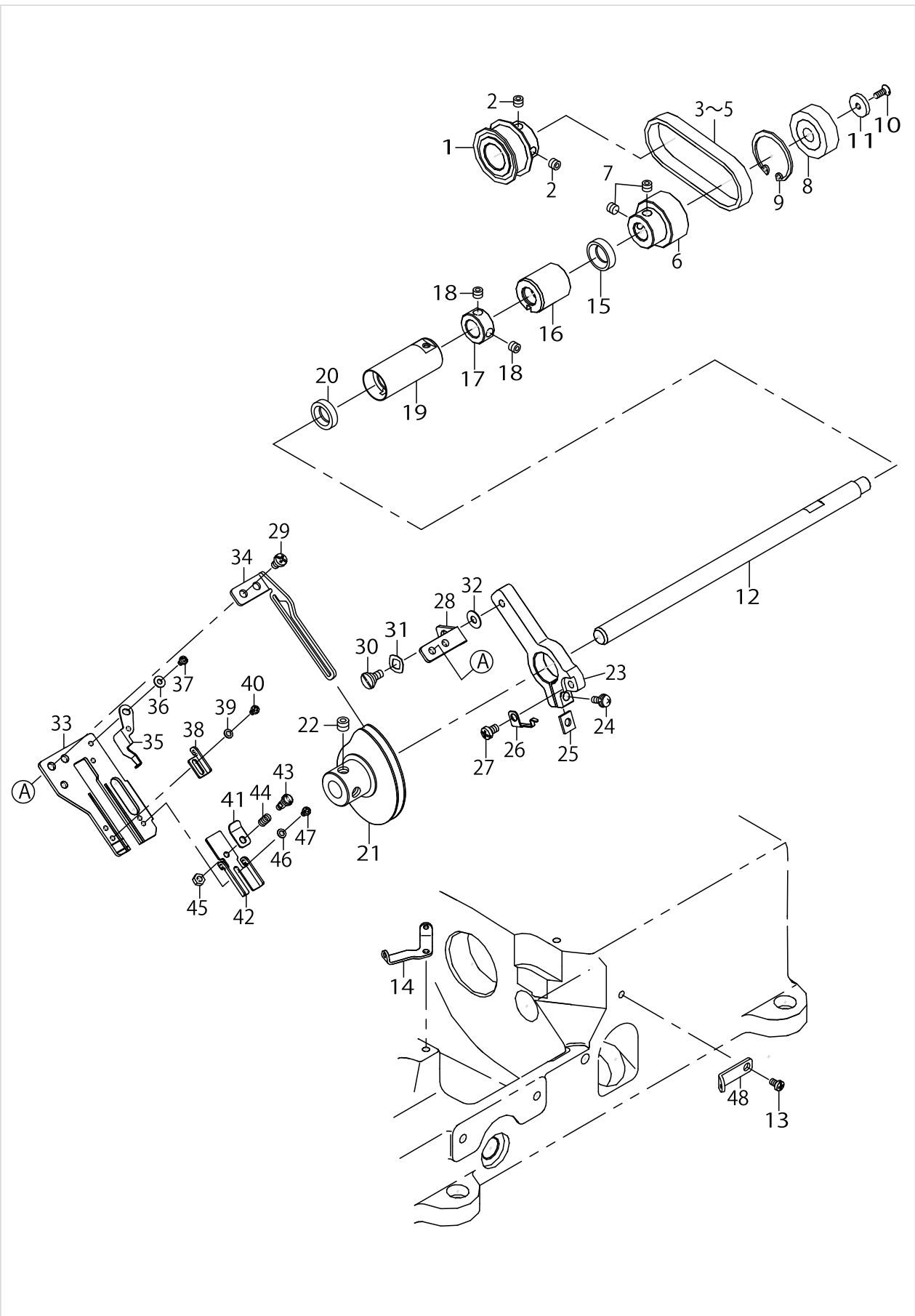
SPREADER COMPONENTS



SPREADER COMPONENTS

No.	Supply Code	Parts No.	Replacement	Parts name	Remarks	Choice	Step	Level	Cons	Qty	Rep. QTY
1		40078318		ASSY_UPPPER_LPR_MECH						1	
2		SM8050412TP		SCREW M5 L=4				*		2	
3		40083520		UPPER_LOOPER_ECCENTRIC				*		1	
4		40078319		CONNROD_FOR_UPPER_LPR				*		1	
5		13328208		STUD				*		1	
6		SM6061402TP		SCREW M6 L=14						1	
7		40078310		UPPER_LOOPER_SHAFT						1	
8		13399209		COLLAR						2	
9		SM8040410TP		SCREW						4	
10		40081402		BUSHING_REAR						1	
11		40078309		BUSHING_FRONT						1	
12		13411806		COLLAR						1	
13		40078311		ASSY_UPPER_LPR_MECH_2						1	
14		SM9061050TP		SCREW M6 L=10				*		1	
15		SM8060612TP		SCREW M6 L=6				*		1	
16		40078312		CRANK_ROD				*		1	
17		40078313		UPPER_LOOPER_ROCKER				*		1	
18		40078314		U.L_SHAFT_VERTICAL				*		1	
19		CS1000881TP		THRUST COLLAR						1	
20		SM8050412TP		SCREW M5 L=4						2	
21		13328802		UPPER LOOPER HOLDER						1	
22		SM6041200SP		SCREW M4 L=12						1	
23		13329404		UPPER LOOPER						1	
24		SM6040800SP		SCREW						1	
25		40078316		DRIVING_ARM						1	
26		WP0550800SP		WASHER 5.5X10X0.8						1	
27		NM6050001SP		NUT M5						1	
28		13329206		BUSHING VERTICAL						1	
29		13338900		OIL SEAL						1	
30		WP1022016SH		WASHER						1	
31		40004573		OIL SEAL						1	
32		TA0600401R0		PLUG						2	
33		40078293		PLUG						1	
34		SM8060412TP		SCREW						1	
35		13170402		RUBBER RING						1	

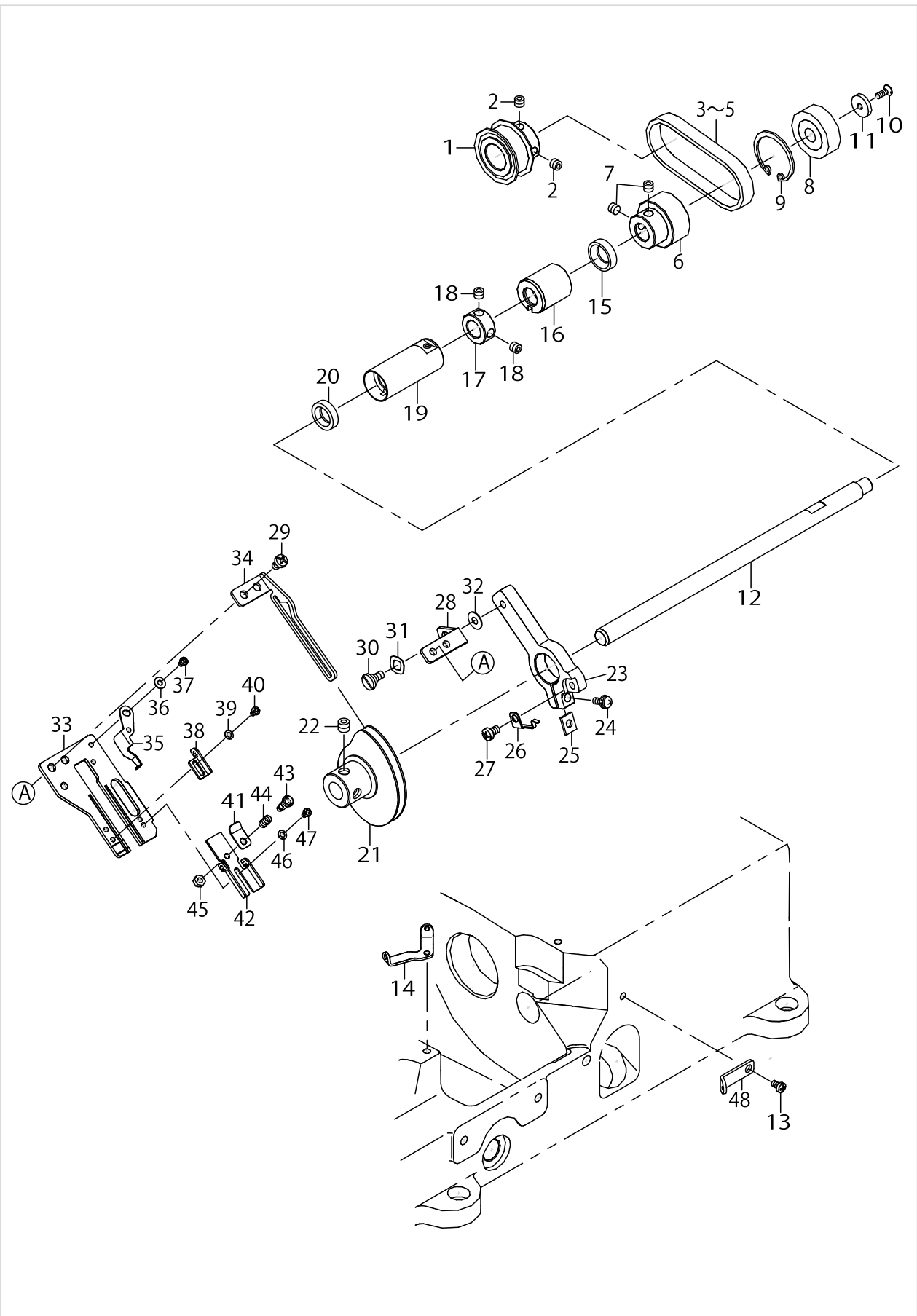
LOWER THREAD CAM COMPONENTS



LOWER THREAD CAM COMPONENTS

No.	Supply Code	Parts No.	Replacement	Parts name	Remarks	Choice	Step	Level	Cons	Qty	Rep. QTY
1		13331202		SPROCKET MAINTUP						1	
2		SM8050412TP		SCREW M5 L=4						2	
3		13332507		BELT TAKE UP A	SELECTIVE PARTS					1	
4		13333000		BELT TAKE UP B	SELECTIVE PARTS					1	
5		13333109		BELT TAKE UP C	SELECTIVE PARTS					1	
6		13331301		SPROCKET TAKE UP						1	
7		SM8050412TP		SCREW M5 L=4						2	
8		SB108002100		BEARING						1	
9		RC2800002KP		RETAINIG PIN						1	
10		SM1030800SM		SCREW M3X0.5 L=8						1	
11		13332606		WASHER TAKE UP						1	
12		13331400		SHAFT TAKE UP						1	
13		SM4040655SP		SCREW M4 L=6						1	
14		13333703		EYELET_D						1	
15	R	40020538	40023441	OIL_SEAL		A				1	1.00
15	R	40020538	40023481	OIL_SEAL		A				1	1.00
16		13331004		BUSHING A TAKE UP						1	
17		CS1000881TP		THRUST COLLAR						1	
18		SM8050412TP		SCREW M5 L=4						2	
19		40023481		BUSHING_B_TAKE_UP						1	
20		40023441		OIL_SEAL						1	
21		40019335		ASSY_TAKE_UP						1	
22		SM8060552TP		SCREW M6 L=5						2	
23		13332309		BASE TAKEUP PLATE						1	
24		SL4041281SC		SCREW M4X0.7 L=12						1	
25		13333208		WASHER						1	
26		13332903		SPRING						1	
27		SM4040655SP		SCREW M4 L=6						1	
28		13332804		BRACKET						1	
29		SM4040655SP		SCREW M4 L=6						2	
30		SD0640246SP		HINGE SCREW D=6.35 H=2.4						1	
31		WZ0641510KP		WAVED WASHER 6.4X11X0.3						1	
32		WP0410516SD		PLAIN WASHER						1	
33		13332002		TAKE UP PLATE						1	
34		40023042		THREAD_GUIDE						1	
35		13333802		THREAD_CATCHER						1	
36		WP0280501SC		WASHER M2.6						2	
37		SM4850455SP		SCREW						2	
38		13332101		EYELET A						1	
39		WP0280500SC		WASHER						1	
40		SM4850455SP		SCREW						1	
41		13333307		LPR THD DISC UPPER						1	
42		13333406		LPR THD GUIDE BASE						1	
43		13333505		TENSION POST						1	
44		13333604		LOOPER CAM SPRING						1	
45		NM6030001SN		NUT						1	

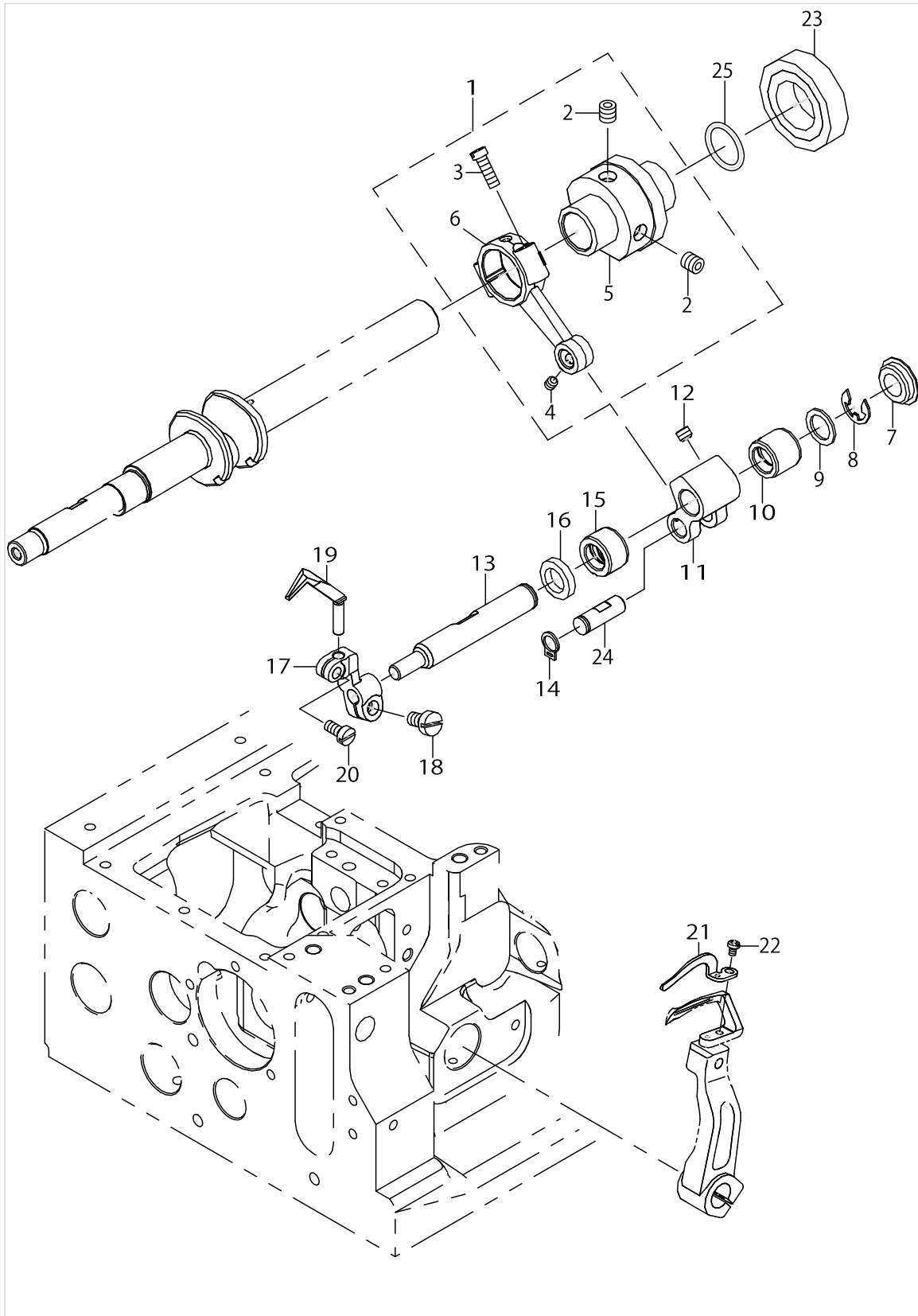
LOWER THREAD CAM COMPONENTS



LOWER THREAD CAM COMPONENTS

No.	Supply Code	Parts No.	Replacement	Parts name	Remarks	Choice	Step	Level	Cons	Qty	Rep. QTY
46		WP0280500SC		WASHER						1	
47		SM4850455SP		SCREW						1	
48		13332705		EYELET C						1	

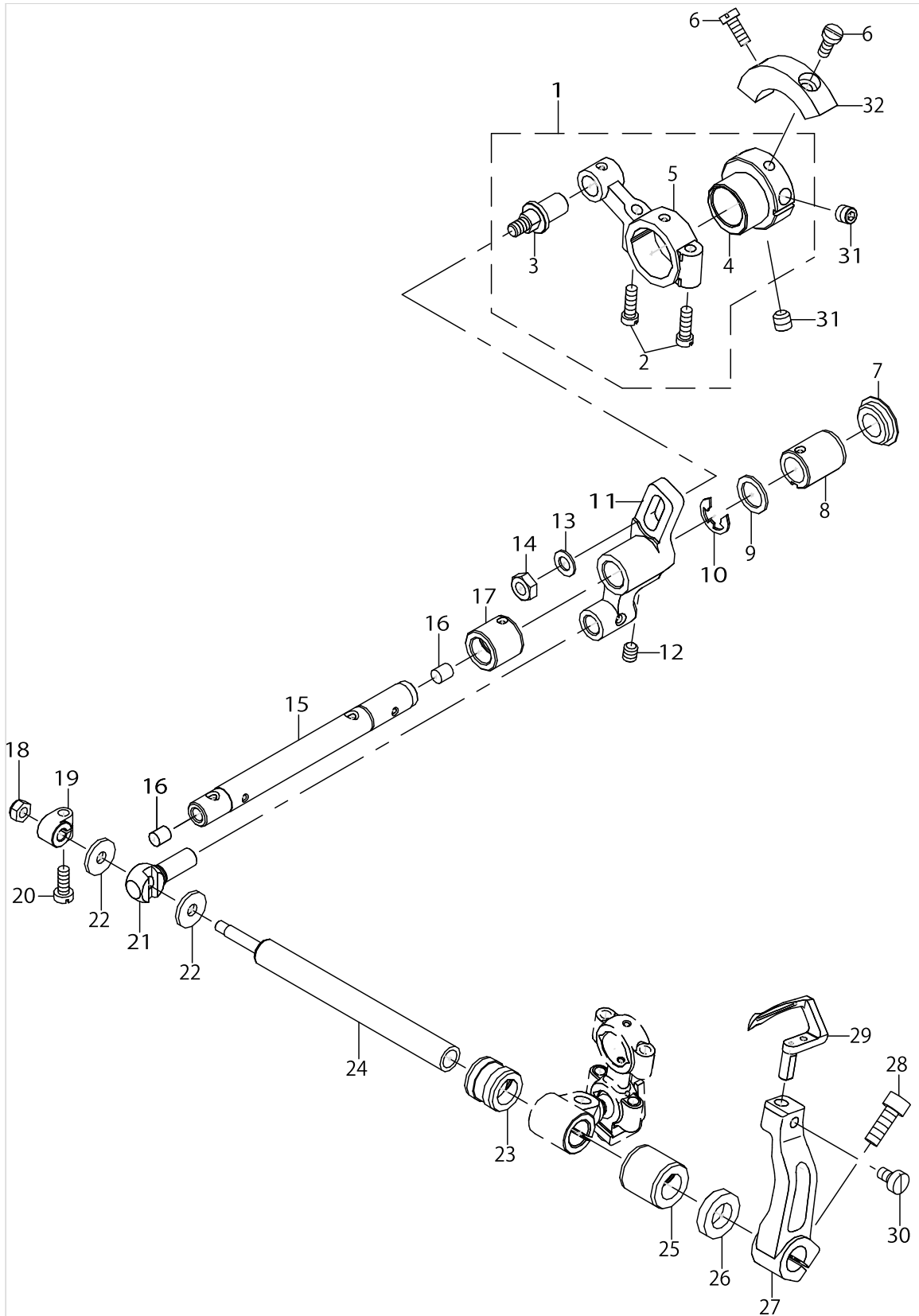
NEEDLE GUARD COMPONENTS



NEEDLE GUARD COMPONENTS

No.	Supply Code	Parts No.	Replacement	Parts name	Remarks	Choice	Step	Level	Cons	Qty	Rep. QTY
1		40018947		NDL_GUARD_CAM_ASSY						1	
2		SM8060612TP		SCREW M6 L=6				*		2	
3		SM6041202TP		SCREW M4X0.7 L=12				*		2	
4		SM8040412TP		SET SCREW M4 L=4				*		1	
5		40018923		NDL_GUARD_CAM				*		1	
6	R	13334107	40018947	NDL GUARD CONN ROD				*		1	1.00
7		TA1600406R0		PRUG						1	
8		RE0700000K0		E-RING 7						1	
9		WP1021026SH		WASHER						1	
10		13334909		BUSHING NDL GUARD A						1	
11		13334206		NDL GUARD DRIVE LEVER						1	
12		SM8050412TP		SCREW M5 L=4						2	
13		13334404		SHAFT NEEDLE GUARD						1	
14		RC0650811KP		RETAINING RING						1	
15		13335005		BUSHING NDL GUARD B						1	
16		13335203		OIL SEAL						1	
17		13334503		REAR NDL GUARD HOLDER						1	
18		SM6050800SP		SCREW M5 L=8						1	
19		13334602		REAR NDL GUARD						1	
20		SM6040800SP		SCREW						1	
21		13334701		FRONT NDL GUARD						1	
22		SM4850455SP		SCREW						1	
23		SB120001500		BEARING						1	
24		13334305		PIN NDL GUARD						1	
25		RO148240200		RUBBER RING						1	

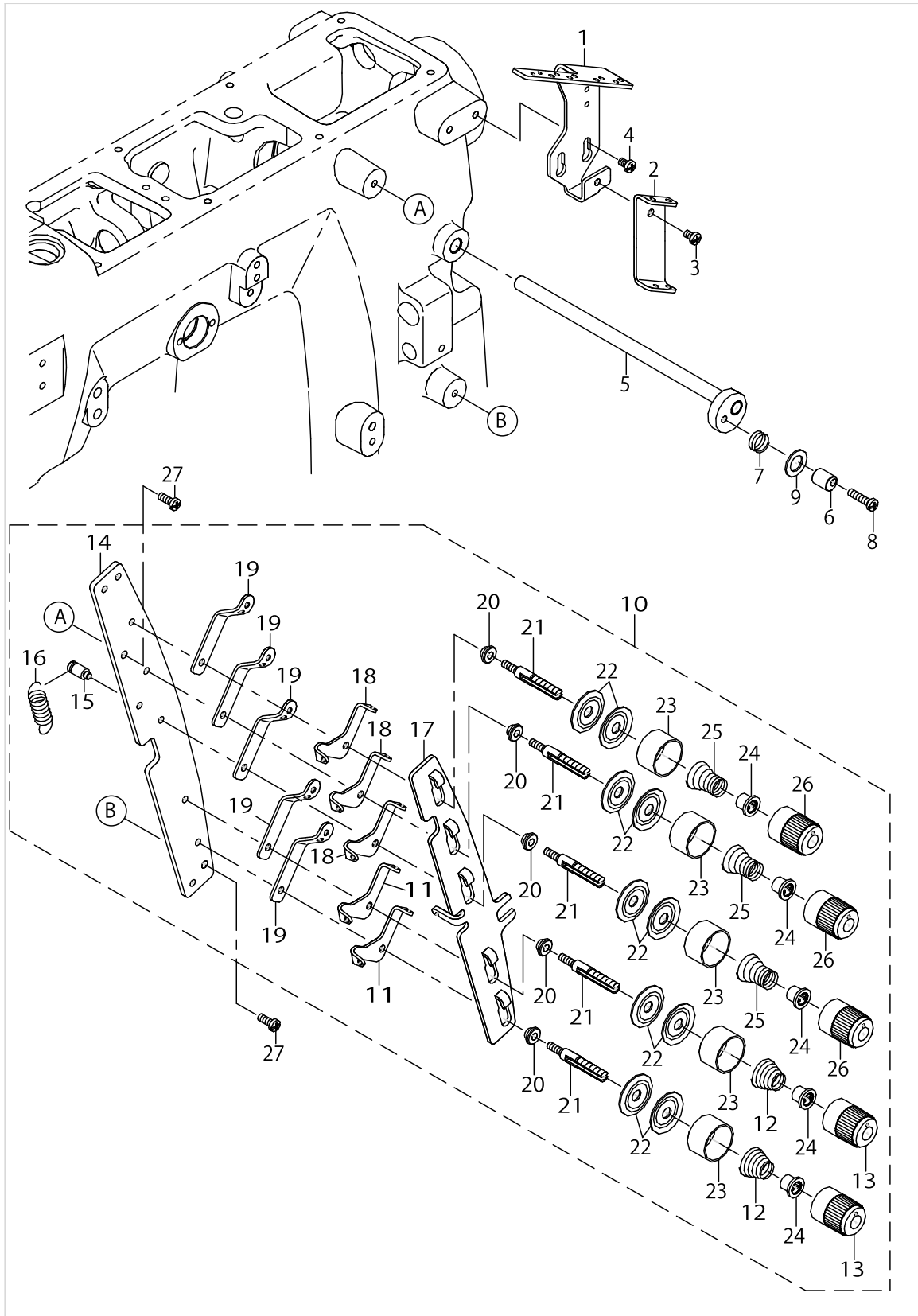
LOOPER COMPONENTS



LOOPER COMPONENTS

No.	Supply Code	Parts No.	Replacement	Parts name	Remarks	Choice	Step	Level	Cons	Qty	Rep. QTY
1		13337357		ECC_LOOPER_AVOID_ASSY						1	
2		SM6041202TP		SCREW M4X0.7 L=12				*		2	
3		13337506		PIN LOOPER AVOID				*		1	
4	R	13337308	13337357	ECC LOOPER AVOID				*		1	1.00
5	R	13337407	13337357	LOOPER ROD AVOID				*		1	1.00
6		SM6041000SP		SCREW M4 L=10						2	
7		TA1600406R0		PRUG						1	
8		13338702		BUSHING LPR RIGHT						1	
9		WP1021026SH		WASHER						1	
10		RE0700000K0		E-RING 7						1	
11		13337605		CRANK LOOPER AVOID						1	
12		SM8050612TP		SCREW M5X6						1	
13		WP0550800SP		WASHER 5.5X10X0.8						1	
14		NM6050001SP		NUT M5						2	
15		13338504		LOOPER SHAFT AVOID						1	
16		TA0500601M0		PLUG D=5X5.4 L=6						2	
17		13338603		BUSHING LPR LEFT						1	
18		13338306		LOCK NUT						1	
19		13337704		COLLAR LOOPER AVOID						1	
20		SM6041000SP		SCREW M4 L=10						1	
21		13337803		LOOPER AVOID PIN						1	
22		WP0461516SH		WASHER						2	
23		13338009		BUSHING LPR SHAFT REAR						1	
24		13338207		LOOPER SHAFT						1	
25		13338108		BUSHING LPR SHAFT FRT						1	
26		13338900		OIL SEAL						1	
27	R	13338405	40050449	LOOPER HOLDER						1	1.00
28		SM6051402TP		SCREW M5X0.8 L=14						1	
29		13337902		LOOPER						1	
30		SM6040750TP		SCREW M4 L=7						1	
31		SM8060612TP		SCREW M6 L=6						2	
32		13338801		BALANCE_WEIGHT_LP						1	

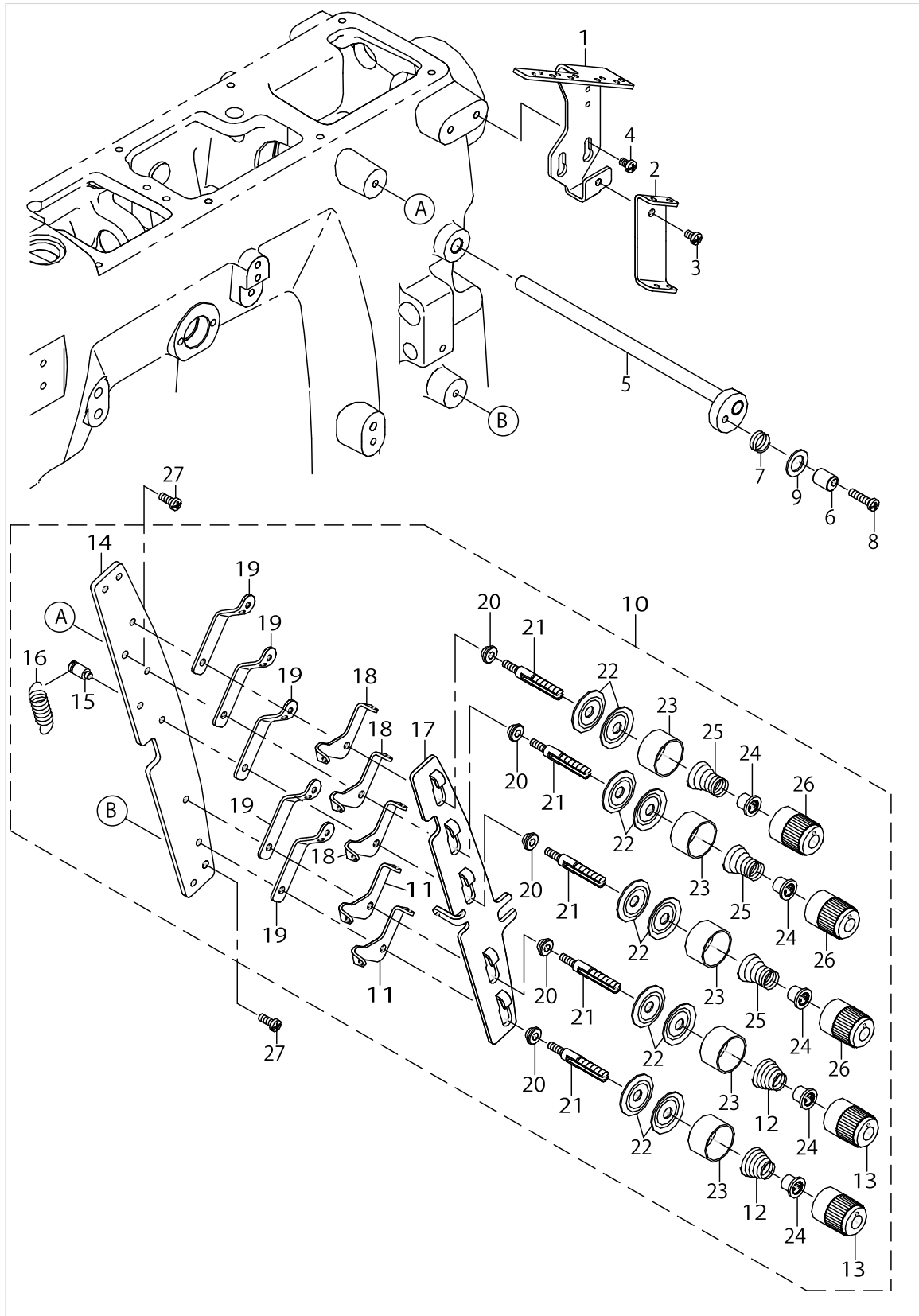
THREAD TENSION COMPONENTS



THREAD TENSION COMPONENTS

No.	Supply Code	Parts No.	Replacement	Parts name	Remarks	Choice	Step	Level	Cons	Qty	Rep. QTY
1		13340005		THREAD GUIDE PLATE						1	
2		13340104		THREAD GUIDE						1	
3		SM4040655SP		SCREW M4 L=6						1	
4		SM4040655SP		SCREW M4 L=6						2	
5		13341359		ASSY PULL OFF LEVER						1	
6		13341409		TENS RELEASE ADJ ECC						1	
7		13341508		SPRING						1	
8		SM4041655SP		SCREW M4 L=16						1	
9		WP0961046SC		WASHER 9.6X16X1						1	
10	R	13340252	40066136	THREAD TENSION ASSY						1	1.00
11		13340500		TENSION DISC EYELET				*		2	
12	R	B3121804000	40102003	TENSION SPRING				*		2	1.00
13	R	13341706	40042363	KNOB		B	糸調子ナット(緑)対策品/TENSION NUT(green) countermeasure parts	*		2	1.00
13	R	13341706	40042362	KNOB		B	糸調子ナット(緑)対策品/TENSION NUT(green) countermeasure parts	*		2	1.00
13	R	13341706	40042365	KNOB		B	糸調子ナット(緑)対策品/TENSION NUT(green) countermeasure parts	*		2	1.00
13	R	13341706	40042366	KNOB		B	糸調子ナット(緑)対策品/TENSION NUT(green) countermeasure parts	*		2	1.00
13	R	13341706	40066136	KNOB				*		2	1.00
14		13340203		TENSION POST SUPPORT				*		1	
15		13340302		SHOULDER SCREW				*		1	
16		B2008372000		THREAD TENSION SPRING				*		1	
17	R	13340401	40065784	TENSION DISC SEPARATOR				*		1	1.00
18	R	13341607	40040066	TENSION_DISC_EYELET_2		B	MF-7724-U10-D60	*		3	1.00
18	R	13341607	40066136	TENSION_DISC_EYELET_2				*		3	1.00
19		13340609		THREAD LEAD IN GUIDE				*		5	
20		13340708		SPACER				*		5	
21	R	13340807	40042365	TENSION POST		B	糸調子ナット(無地)対策品/TENSION NUT(plain) countermeasure parts	*		5	1.00
21	R	13340807	40042363	TENSION POST		B	糸調子ナット(無地)対策品/TENSION NUT(plain) countermeasure parts	*		5	1.00

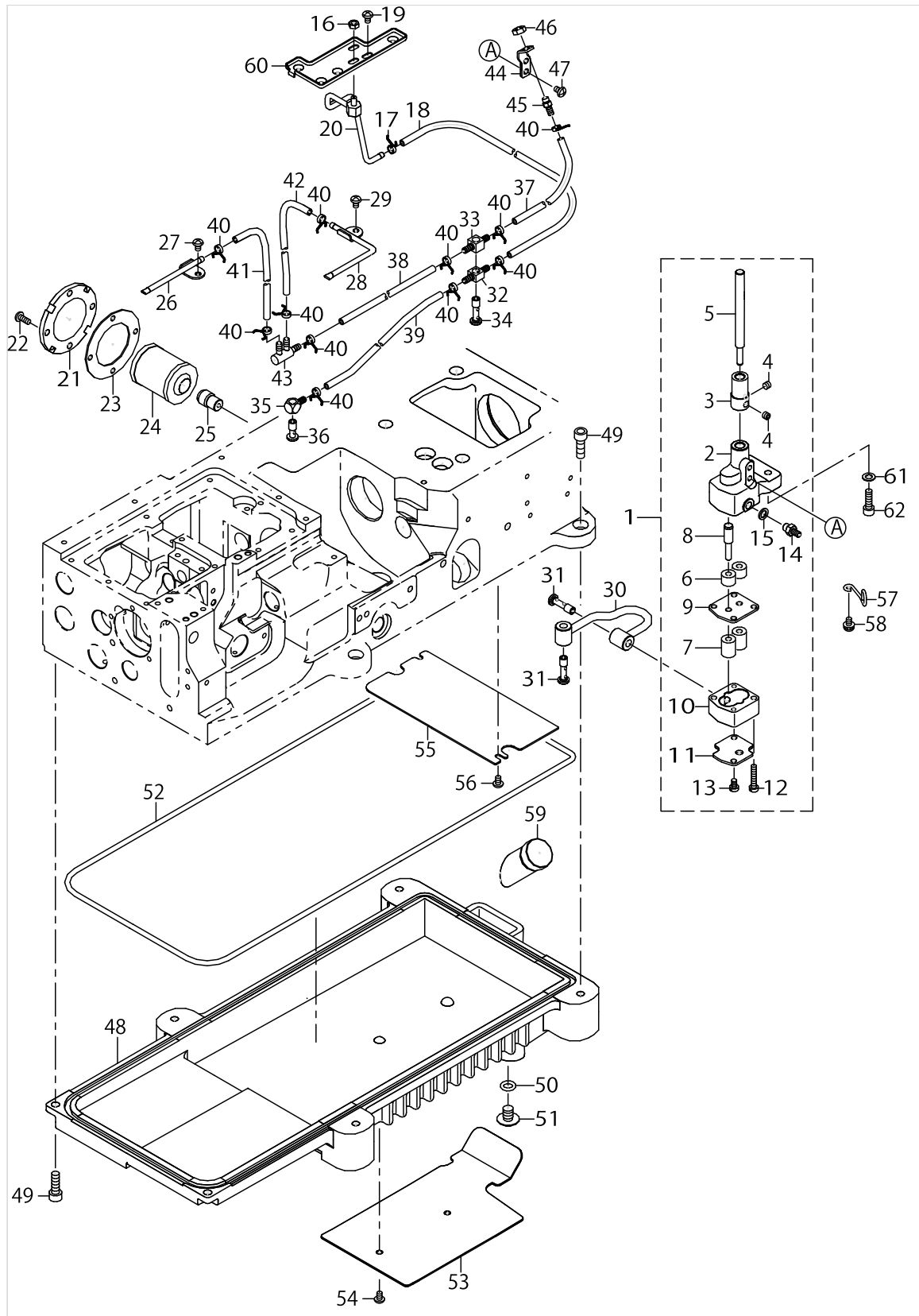
THREAD TENSION COMPONENTS



THREAD TENSION COMPONENTS

No.	Supply Code	Parts No.	Replacement	Parts name	Remarks	Choice	Step	Level	Cons	Qty	Rep. QTY
21	R	13340807	40042366	TENSION POST		B	糸調子ナット(無地)対策品/TENSION NUT(plain) countermeasure parts	*		5	1.00
21	R	13340807	40042362	TENSION POST		B	糸調子ナット(無地)対策品/TENSION NUT(plain) countermeasure parts	*		5	1.00
21	R	13340807	40042366	TENSION POST		C	糸調子ナット(緑)対策品/TENSION NUT(green) countermeasure parts	*		5	1.00
21	R	13340807	40042364	TENSION POST		C	糸調子ナット(緑)対策品/TENSION NUT(green) countermeasure parts	*		5	1.00
21	R	13340807	40042365	TENSION POST		C	糸調子ナット(緑)対策品/TENSION NUT(green) countermeasure parts	*		5	1.00
21	R	13340807	40042362	TENSION POST		C	糸調子ナット(緑)対策品/TENSION NUT(green) countermeasure parts	*		5	1.00
21	R	13340807	40066136	TENSION POST				*		5	1.00
22	R	22928907	22921506	THREAD TENSION DISK				*		10	1.00
23		13137609		THREAD TENSION DISK PRESSER				*		5	
24		13137906		SPRING BUSHING				*		5	
25		13140504		TENSION SPRING				*		3	
26	R	13340906	40042364	KNOB GREEN		B	糸調子ナット(緑)対策品/TENSION NUT(green) countermeasure parts	*		3	1.00
26	R	13340906	40042366	KNOB GREEN		B	糸調子ナット(緑)対策品/TENSION NUT(green) countermeasure parts	*		3	1.00
26	R	13340906	40042362	KNOB GREEN		B	糸調子ナット(緑)対策品/TENSION NUT(green) countermeasure parts	*		3	1.00
26	R	13340906	40042365	KNOB GREEN		B	糸調子ナット(緑)対策品/TENSION NUT(green) countermeasure parts	*		3	1.00
26	R	13340906	40066136	KNOB GREEN				*		3	1.00
27		SM4041055SP		SCREW						2	

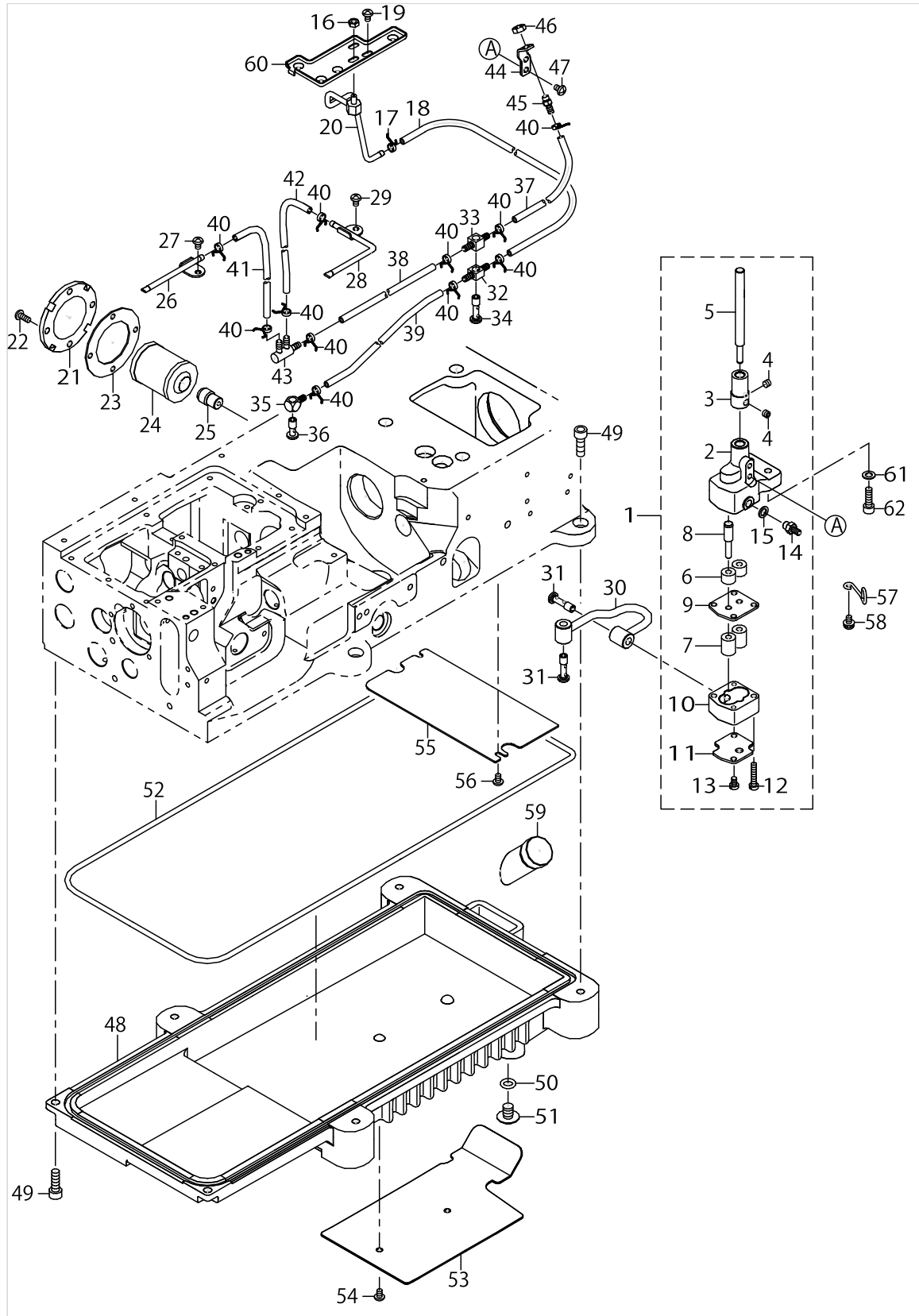
LUBRICATION COMPONENTS



LUBRICATION COMPONENTS

No.	Supply Code	Parts No.	Replacement	Parts name	Remarks	Choice	Step	Level	Cons	Qty	Rep. QTY
1		13345459		ASSY_PUMP_2-STAGE						1	
2	R	13343108	13345459	OIL PUMP HOUSING		A	MF-7700	*		1	1.00
2	R	13343108	13426051	OIL PUMP HOUSING		B	MF-7800	*		1	1.00
3		13343009		WORM WHEEL				*		1	
4		SM8050412TP		SCREW M5 L=4				*		2	
5	R	13345400	13345459	OIL PUMP SHAFT LARGE				*		1	1.00
6		13228309		OIL PUMP PINION				*		2	
7		13228200		OIL PUMP PINION				*		2	
8		13227905		GEAR PUMP SHAFT				*		1	
9	R	13343405	13345459	OIL PUMP SPACER		A	MF-7700	*		1	1.00
9	R	13343405	13426051	OIL PUMP SPACER		B	MF-7800	*		1	1.00
10	R	13343207	13345459	OIL PUMP CASING		A	MF-7700	*		1	1.00
10	R	13343207	13426051	OIL PUMP CASING		B	MF-7800	*		1	1.00
11	R	13343306	13345459	OIL PUMP COVER		A	MF-7700	*		1	1.00
11	R	13343306	13426051	OIL PUMP COVER		B	MF-7800	*		1	1.00
12		SM6042000SP		SCREW				*		2	
13		SM6040600SP		SCREW M4 L=6				*		2	
14		SQ2060451MZ		CONNECTINGSCREW				*		1	
15		40004749		GASCKET				*		1	
16		NM6040001SP		NUT M4X0.7						1	
17		23629306		PIPE STOPPER A						1	
18		BP30000010R		VINYL PIPE						.5	
19		SM4040655SP		SCREW M4 L=6						2	
20		13345053		ASSY_OIL_SUPPLY_FOR_TOP						1	
21		13345202		FILTER_COVER						1	
22		SM4041055SP		SCREW						4	
23		13344809		GASKET O						1	
24		13142500								1	
25		13343801		FITTING FILTER						1	
26		13346556		ASSY_OIL_SUPPLY						1	
27		SM4040655SP		SCREW M4 L=6						1	
28		13345855		OIL SUPPLY ASSY						1	
29		SM4040655SP		SCREW M4 L=6						1	
30		13346259		ASSY_OIL_PIPE						1	
31		SQ2060442SD		CONNECTINGSCREW						2	
32		SQ0000454MZ		CONNECTINGSCREW						1	
33		SQ0000453MZ		CONNECTINGSCREW						1	
34		SQ2060442SD		CONNECTINGSCREW						1	
35		SQ0000452MZ		CONNECTINGSCREW						1	
36		SQ2060441SD		CONNECTINGSCREW						1	
37		BP30000010R		VINYL PIPE						.14	
38		BP30000010R		VINYL PIPE						.12	
39		BP30000010R		VINYL PIPE						.19	
40		23629306		PIPE STOPPER A						11	
41		BP30000010R		VINYL PIPE						.13	
42		BP30000010R		VINYL PIPE						.11	

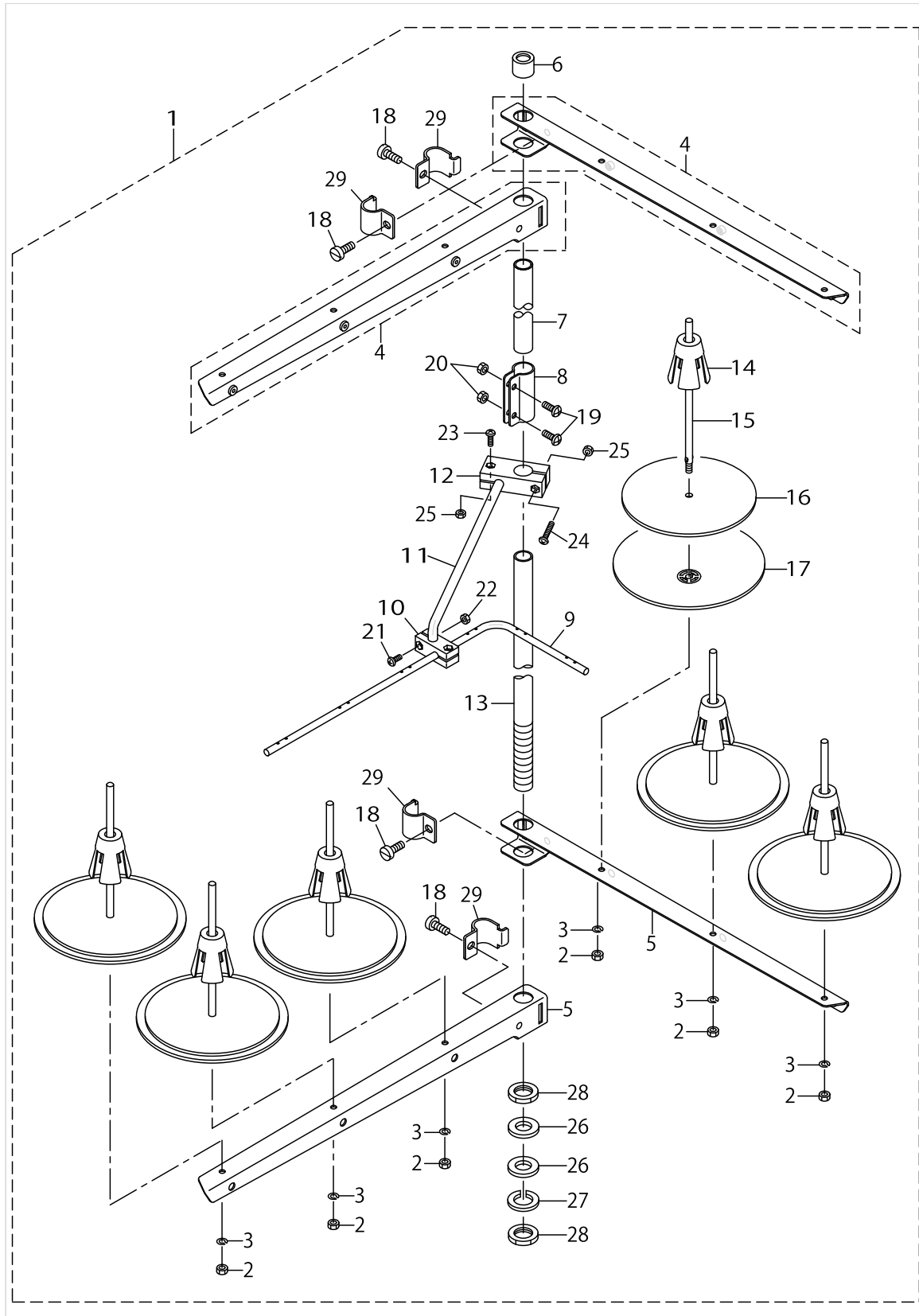
LUBRICATION COMPONENTS



LUBRICATION COMPONENTS

No.	Supply Code	Parts No.	Replacement	Parts name	Remarks	Choice	Step	Level	Cons	Qty	Rep. QTY
43		23629504		DISTRIBUTOR						1	
44		13346705		CONNECTING_SCR.BRACKET						1	
45		SQ2050452MZ		CONNECTING SCREW						1	
46		NM6050001SP		NUT M5						1	
47		SM4040655SP		SCREW M4 L=6						2	
48		13345509		OIL PAN						1	
49		SM6061802TP		SCREW M6 L=18						6	
50		13170105		RUBBER RING						1	
51		SM0081001SD		SCREW						1	
52		13345608		O RING						1	
53		13346309		BREEZE_PLATE						1	
54		SM4040655SP		SCREW M4 L=6						2	
55		13345905		COVER PLATE						1	
56		SM4040655SP		SCREW M4 L=6						2	
57		13346606		OIL_TUBE_HOLDER						1	
58		SL4040805SC		SCREW						1	
59		13346101		OIL SIGHT GAUGE						1	
60		40083514		OIL SAUCER						1	
61		WP0550800SP		WASHER 5.5X10X0.8						2	
62		SM6051602TP		SCREW M5X0.8 L=16						2	

THREAD STAND COMPONENTS

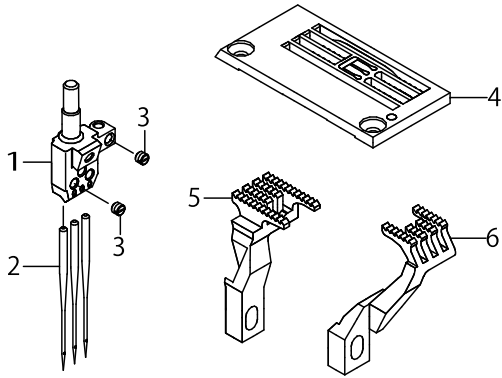


THREAD STAND COMPONENTS

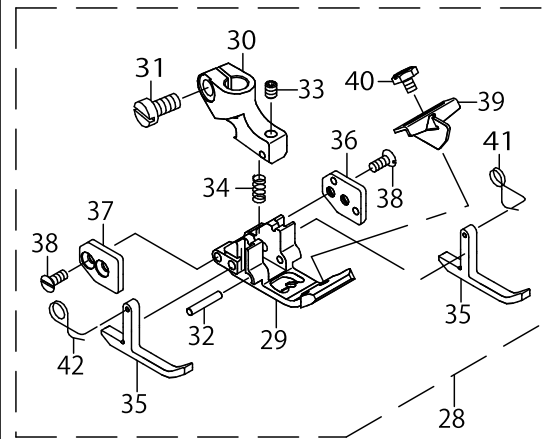
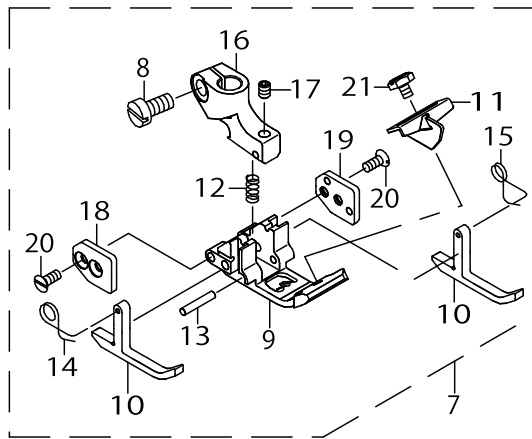
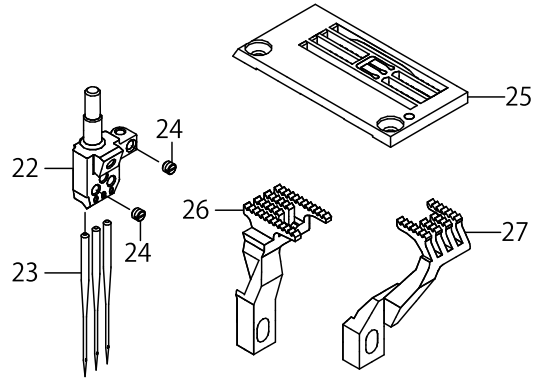
No.	Supply Code	Parts No.	Replacement	Parts name	Remarks	Choice	Step	Level	Cons	Qty	Rep. QTY
1	R	13168653	40106586	THREAD STAND ASM.						1	1.00
2		NM6050001SE		NUT M5				*		6	
3		WS0510002KN		SPRING WASHER				*		6	
4		13168356		THREAD STANDING ARM ASM. ,LONG				*		2	
5	R	13168307	13168356	THREAD STANDING ARM ,LONG				*		2	1.00
6		22931406		THREAD STANDING ROD RUBBER CAP				*		1	
7	R	22930408	40096354	THREAD STANDING ROD, UPPER				*		1	1.00
8	R	22931307	40096354	THREAD STANDING ROD JOINT				*		1	1.00
9	R	13167903	26910059	THREAD GUIDE				*		1	1.00
10	D R	13168000	26910059	THREAD GUIDE BASE, LOWER				*		1	1.00
11	R	13168109	26910059	THREAD GUIDE ARM				*		1	1.00
12	R	13168208	26910059	THREAD GUIDE ARM BASE				*		1	1.00
13	R	22930309	40096354	THREAD STANDING ROD, LOWER				*		1	1.00
14	R	22931109	40085791	SPOOL RETAINER				*		6	1.00
15	R	22931000	40085790	SPOOL PIN				*		6	1.00
16		22930903		SPOOL REST CUSHION				*		6	
17		22930804		SPOOL REST				*		6	
18		SM6061610SC		SCREW M6 L=16				*		4	
19		SM4051405SE		SCREW M5 L=14				*		2	
20		NM6050001SE		NUT M5				*		2	
21		SM4041001SC		SCREW M4X0.7 L=10				*		2	
22		NM6040002SE		NUT M4X0.7				*		2	
23		SM4041201SC		SCREW M4 L=12				*		1	
24		SM4042001SC		SCREW M4 X 20				*		1	
25		NM6040002SE		NUT M4X0.7				*		2	
26		WP1612616SE		WASHER 16X30X2.6				*		2	
27	R	WS1643202KR	WP1612616SE	SPRING WASHER		A		*		1	2.00
27	R	WS1643202KR	40085796	SPRING WASHER		A		*		1	2.00
28		NM6160511SE		NUT M16X1.5				*		2	
29	R	22930705	40096354	THREAD GUIDE ARM JOINT				*		4	1.00

GAUGE PARTS COMPONENTS (1) (FOR MF-7700D-U10)

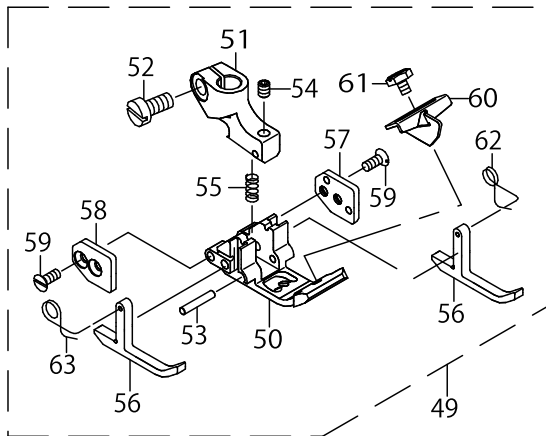
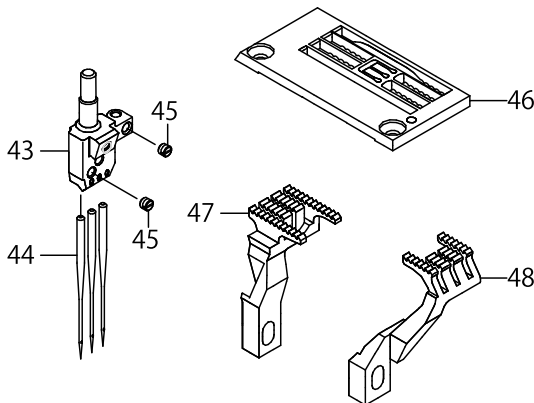
MF-7723-U10-B48



MF-7723-U10-B56
MF-7723D-U10-B56



MF-7723-U10-B64
MF-7723D-U10-B64

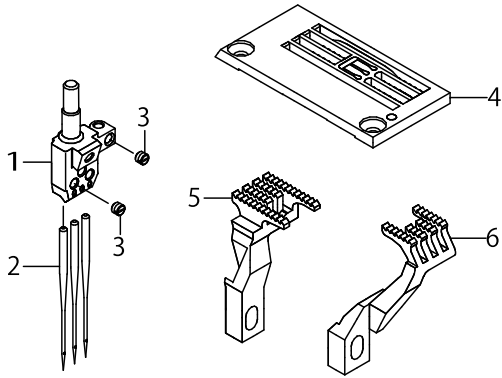


GAUGE PARTS COMPONENTS (1) (FOR MF-7700D-U10)

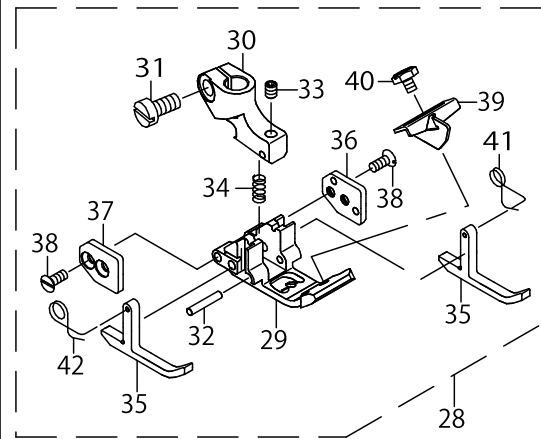
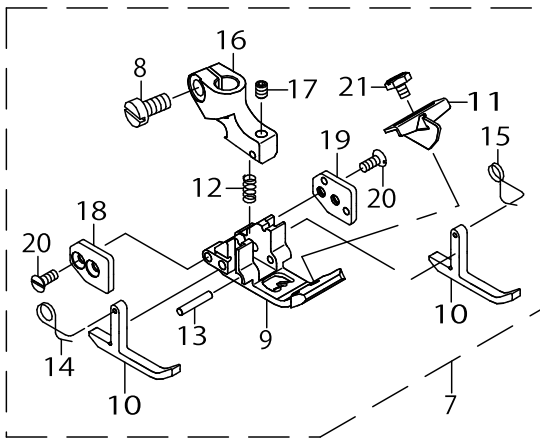
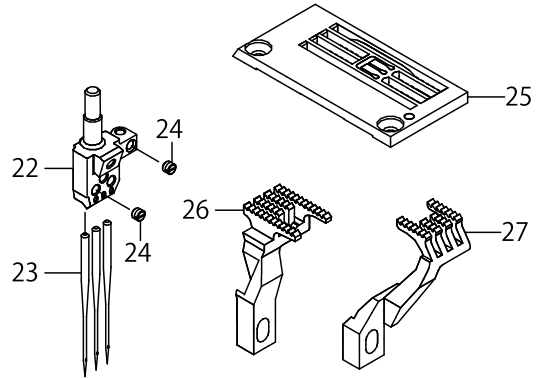
No.	Supply Code	Parts No.	Replacement	Parts name	Remarks	Choice	Step	Level	Cons	Qty	Rep. QTY
1		13350202		NEEDLE_HEAD_48						1	
2		MUY128S1000		NEEDLE UYX128GAS #10						3	
3		SM8030350TP		SCREW						4	
4		40040514		THROAT PLATE						1	
5		13354204		MAIN FEED DOG						1	
6		13358304		DIFF_FEED_DOG						1	
7		13376058		PRESSER_FOOT_ASSY						1	
8		SM6040800SP		SCREW				*		1	
9	R	13376009	13376058	PRESSER_FOOT_BOTTOM				*		1	1.00
10	R	13375100	13375050	P_F_YIELDING_SECTION		A	A:MF-7723-U10-B56	*		2	1.00
10	R	13375100	13376058	P_F_YIELDING_SECTION		B	B:MF-7723-U10-B48	*		2	1.00
10	R	13375100	40049394	P_F_YIELDING_SECTION		C	C:PRESSER for 7724-D60	*		2	1.00
11		13376900		PRESSER_FOOT_GUIDE				*		1	
12		13377106		SPRING				*		1	
13		13375209		PIVOT_PIN				*		1	
14		13375308		SPRING_L				*		1	
15		13375407		SPRING_R				*		1	
16	R	13375506	13375050	PRESSER_FOOT_HINGE		A	A:MF-7723-U10-B56	*		1	1.00
16	R	13375506	13376058	PRESSER_FOOT_HINGE		B	B:MF-7723-U10-B48	*		1	1.00
16	R	13375506	40049394	PRESSER_FOOT_HINGE		C	C:PRESSER for 7724-D60	*		1	1.00
17		SM8030412TP		SCREW				*		1	
18	R	13375605	13375050	GUIDE_PLATE_L		A	A:MF-7723-U10-B56	*		1	1.00
18	R	13375605	13376058	GUIDE_PLATE_L		B	B:MF-7723-U10-B48	*		1	1.00
18	R	13375605	40049394	GUIDE_PLATE_L		C	C:PRESSER for 7724-D60	*		1	1.00
19	R	13375704	13375050	GUIDE_PLATE_R		A	A:MF-7723-U10-B56	*		1	1.00
19	R	13375704	13376058	GUIDE_PLATE_R		B	B:MF-7723-U10-B48	*		1	1.00
19	R	13375704	40049394	GUIDE_PLATE_R		C	C:PRESSER for 7724-D60	*		1	1.00
20		SM1850600SP		SCREW				*		4	
21		13377007		SCREW				*		1	
22		13350301		NEEDLE_HEAD_56						1	
23		MUY128S1000		NEEDLE UYX128GAS #10						3	
24		SM8030350TP		SCREW						4	
25		40040515		THROAT PLATE						1	
26		13354204		MAIN FEED DOG						1	
27		13358304		DIFF_FEED_DOG						1	
28		13375050		PRESSER_FOOT_ASSY						1	
29	R	13375001	13375050	PRESSER_FOOT_BOTTOM				*		1	1.00
30	R	13375506	13375050	PRESSER_FOOT_HINGE		A	A:MF-7723-U10-B56	*		1	1.00
30	R	13375506	13376058	PRESSER_FOOT_HINGE		B	B:MF-7723-U10-B48	*		1	1.00
30	R	13375506	40049394	PRESSER_FOOT_HINGE		C	C:PRESSER for 7724-D60	*		1	1.00
31		SM6040800SP		SCREW				*		1	

GAUGE PARTS COMPONENTS (1) (FOR MF-7700D-U10)

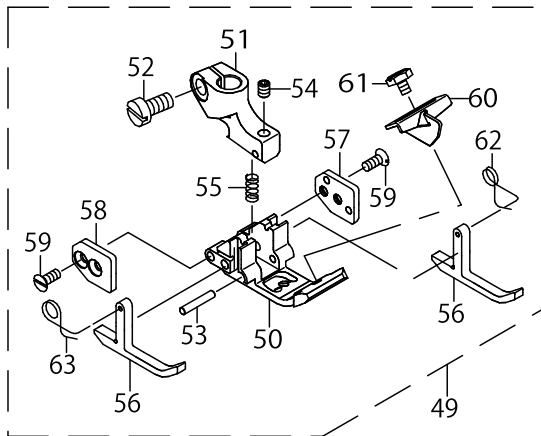
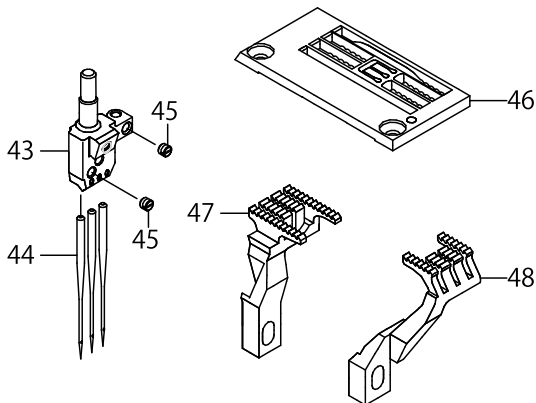
MF-7723-U10-B48



MF-7723-U10-B56
MF-7723D-U10-B56



MF-7723-U10-B64
MF-7723D-U10-B64

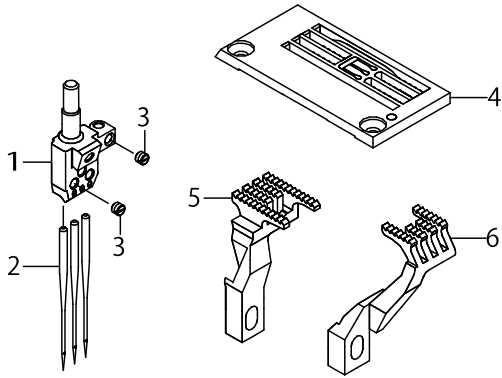


GAUGE PARTS COMPONENTS (1) (FOR MF-7700D-U10)

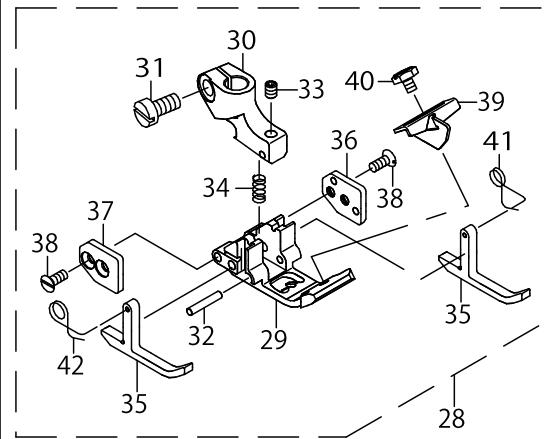
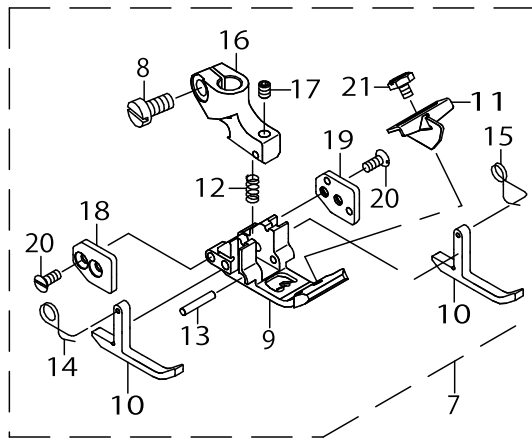
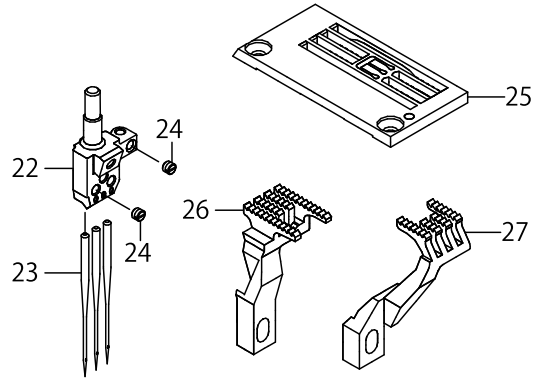
No.	Supply Code	Parts No.	Replacement	Parts name	Remarks	Choice	Step	Level	Cons	Qty	Rep. QTY
32		13375209		PIVOT_PIN				*		1	
33		SM8030412TP		SCREW				*		1	
34		13377106		SPRING				*		1	
35	R	13375100	13375050	P_F_YIELDING_SECTION		A	A:MF-7723-U10-B56	*		2	1.00
35	R	13375100	13376058	P_F_YIELDING_SECTION		B	B:MF-7723-U10-B48	*		2	1.00
35	R	13375100	40049394	P_F_YIELDING_SECTION		C	C:PRESSER for 7724-D60	*		2	1.00
36	R	13375704	13375050	GUIDE_PLATE_R		A	A:MF-7723-U10-B56	*		1	1.00
36	R	13375704	13376058	GUIDE_PLATE_R		B	B:MF-7723-U10-B48	*		1	1.00
36	R	13375704	40049394	GUIDE_PLATE_R		C	C:PRESSER for 7724-D60	*		1	1.00
37	R	13375605	13375050	GUIDE_PLATE_L		A	A:MF-7723-U10-B56	*		1	1.00
37	R	13375605	13376058	GUIDE_PLATE_L		B	B:MF-7723-U10-B48	*		1	1.00
37	R	13375605	40049394	GUIDE_PLATE_L		C	C:PRESSER for 7724-D60	*		1	1.00
38		SM1850600SP		SCREW				*		4	
39		13376900		PRESSER_FOOT_GUIDE				*		1	
40		13377007		SCREW				*		1	
41		13375407		SPRING_R				*		1	
42		13375308		SPRING_L				*		1	
43		13350400		NEEDLE_HEAD_64						1	
44		MUY128S1000		NEEDLE UYX128GAS #10						3	
45		SM8030350TP		SCREW						4	
46		40040513		THROAT PLATE						1	
47		13353701		MAIN_FEED_DOG						1	
48		13357603		DIFF_FEED_DOG						1	
49		13375050		PRESSER_FOOT_ASSY						1	
50	R	13375001	13375050	PRESSER_FOOT_BOTTOM				*		1	1.00
51	R	13375506	13375050	PRESSER_FOOT_HINGE		A	A:MF-7723-U10-B56	*		1	1.00
51	R	13375506	13376058	PRESSER_FOOT_HINGE		B	B:MF-7723-U10-B48	*		1	1.00
51	R	13375506	40049394	PRESSER_FOOT_HINGE		C	C:PRESSER for 7724-D60	*		1	1.00
52		SM6040800SP		SCREW				*		1	
53		13375209		PIVOT_PIN				*		1	
54		SM8030412TP		SCREW				*		1	
55		13377106		SPRING				*		1	
56	R	13375100	13375050	P_F_YIELDING_SECTION		A	A:MF-7723-U10-B56	*		2	1.00
56	R	13375100	13376058	P_F_YIELDING_SECTION		B	B:MF-7723-U10-B48	*		2	1.00
56	R	13375100	40049394	P_F_YIELDING_SECTION		C	C:PRESSER for 7724-D60	*		2	1.00
57	R	13375704	13375050	GUIDE_PLATE_R		A	A:MF-7723-U10-B56	*		1	1.00
57	R	13375704	13376058	GUIDE_PLATE_R		B	B:MF-7723-U10-B48	*		1	1.00
57	R	13375704	40049394	GUIDE_PLATE_R		C	C:PRESSER for 7724-D60	*		1	1.00
58	R	13375605	13375050	GUIDE_PLATE_L		A	A:MF-7723-U10-B56	*		1	1.00

GAUGE PARTS COMPONENTS (1) (FOR MF-7700D-U10)

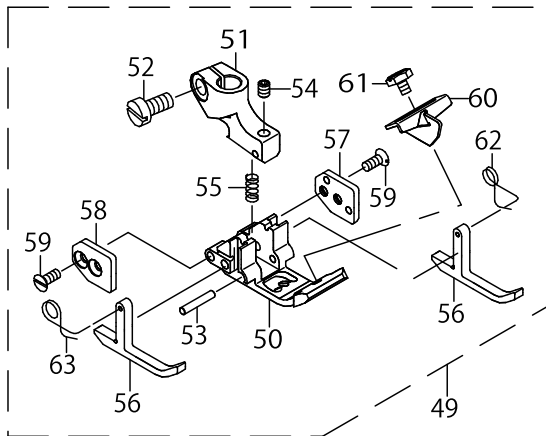
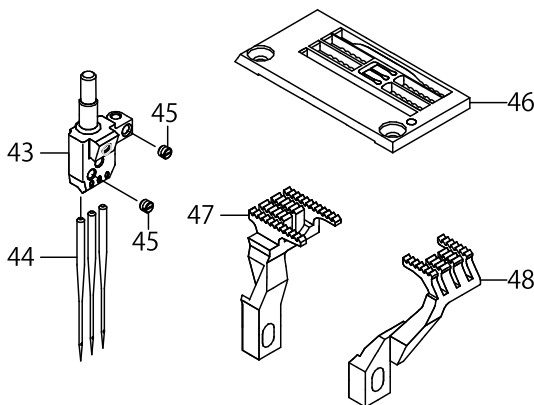
MF-7723-U10-B48



MF-7723-U10-B56
MF-7723D-U10-B56



MF-7723-U10-B64
MF-7723D-U10-B64

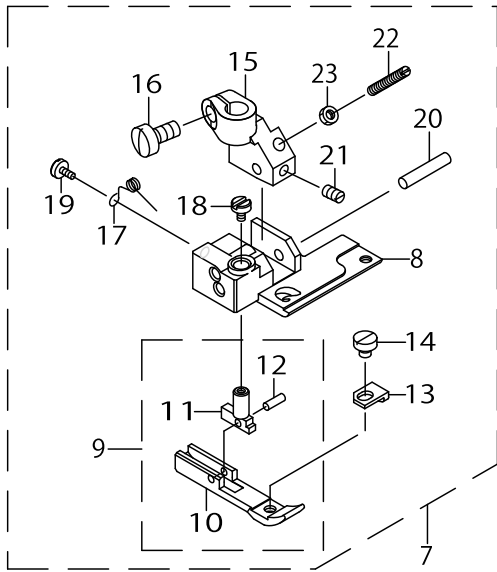
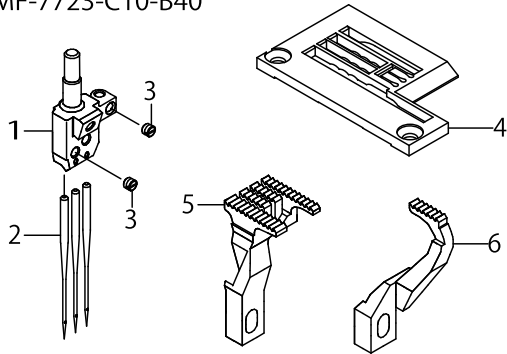


GAUGE PARTS COMPONENTS (1) (FOR MF-7700D-U10)

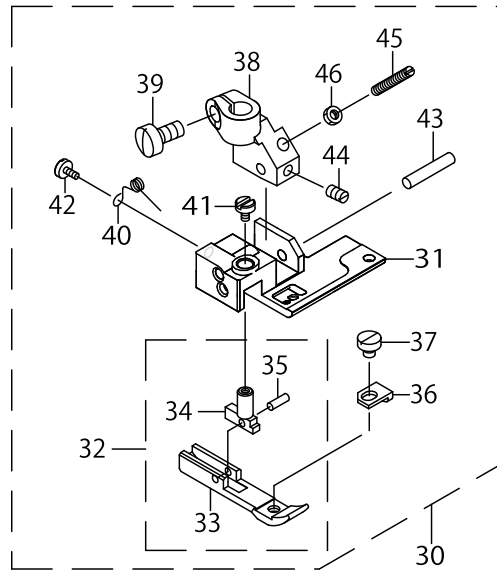
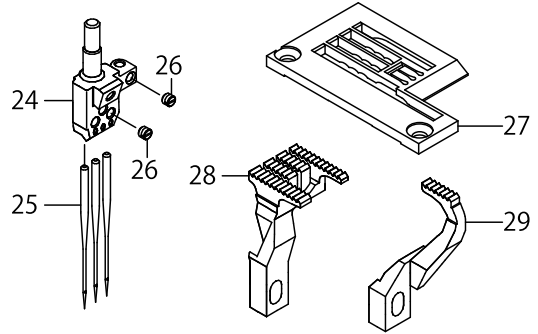
No.	Supply Code	Parts No.	Replacement	Parts name	Remarks	Choice	Step	Level	Cons	Qty	Rep. QTY
58	R	13375605	13376058	GUIDE_PLATE_L		B	B:MF-7723-U10-B48	*		1	1.00
58	R	13375605	40049394	GUIDE_PLATE_L		C	C:PRESSER for 7724-D60	*		1	1.00
59		SM1850600SP		SCREW				*		4	
60		13376900		PRESSER_FOOT_GUIDE				*		1	
61		13377007		SCREW				*		1	
62		13375407		SPRING_R				*		1	
63		13375308		SPRING_L				*		1	

GAUGE PARTS COMPONENTS (2) (FOR MF-7700-C10)

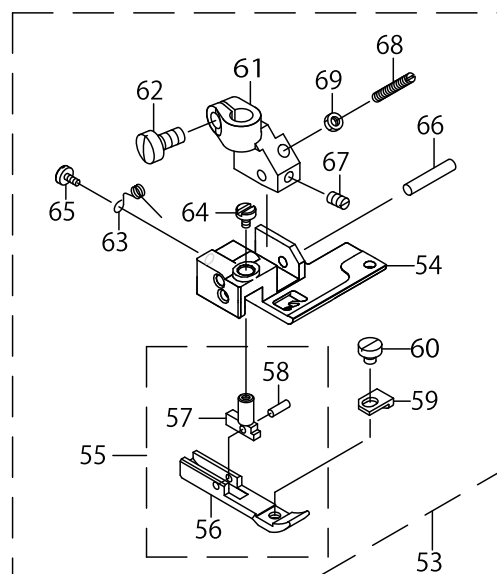
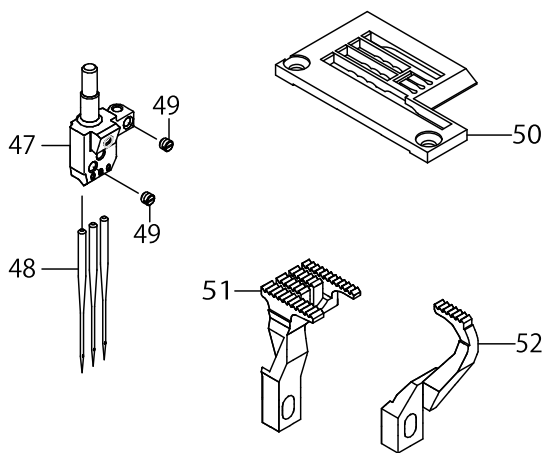
MF-7723-C10-B40



MF-7723-C10-B56



MF-7723-C10-B64

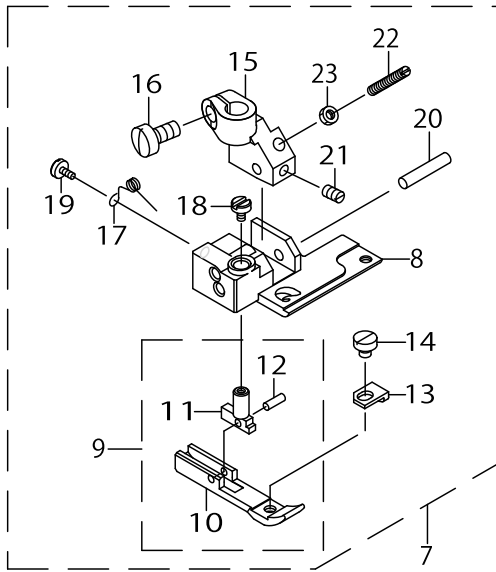
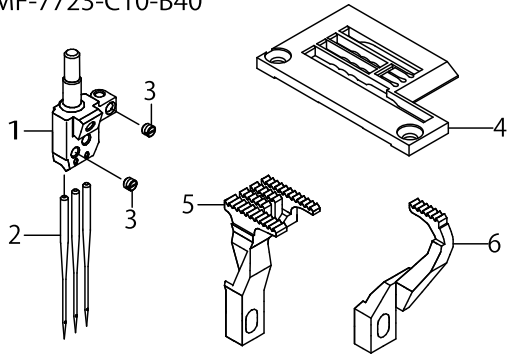


GAUGE PARTS COMPONENTS (2) (FOR MF-7700-C10)

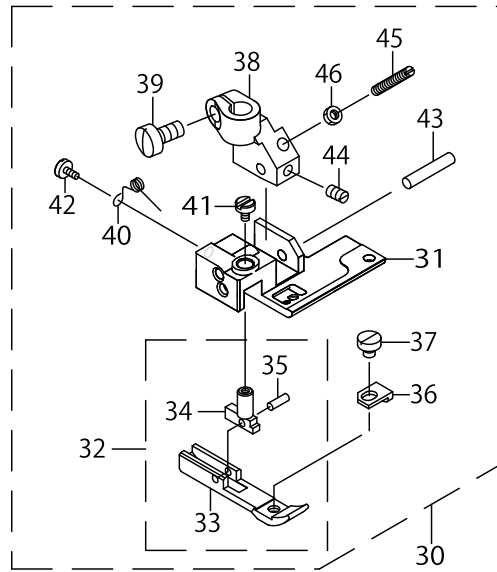
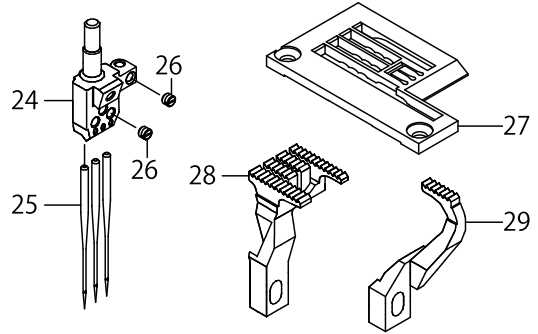
No.	Supply Code	Parts No.	Replacement	Parts name	Remarks	Choice	Step	Level	Cons	Qty	Rep. QTY
1		13350103		NEEDLE_HEAD_40						1	
2		MUY128S1000		NEEDLE UYX128GAS #10						2	
3		SM8030350TP		SCREW						3	
4		13351408		THROAT_PLATE						1	
5		13353800		MAIN_FEED_DOG						1	
6		13357702		DIFF_FEED_DOG						1	
7		13376157		PRESSER_FOOT_ASSEMBLY						1	
8	R	13376108	13376157	PRESSER_FOOT_BOTTOM				*		1	1.00
9	R	13376355	40037398	YIELDING_SECTION_ASSEMBLY				*		1	1.00
10		13376306		YIELDING_SECTION				*		1	
11		13377205		YIELDING_SECTION_SHANK				*		1	
12		13377304		PIVOT_PIN				*		1	
13		13376405		PRESSER_FOOT_GUIDE				*		1	
14		SM6030350SD		SCREW M3 L=2.9				*		1	
15		13376504		PRESSER_FOOT_SHANK				*		1	
16		SM7040800SL		SCREW				*		1	
17		13376603		YIELDING_SECTION_SPRING				*		1	
18	R	13376702	13376157	THREAD_SPRING_SCREW				*		1	1.00
19		SM4030455SP		SCREW				*		1	
20	R	PH0300164C0	PH0300162C0	PARALLEL PIN 3X16				*		1	1.00
21		SM8030500SP		SCREW				*		1	
22		13376801		SCREW_FOR_PRESSER_FOOT				*		1	
23		NM6030001SD		NUT M3X0.5				*		1	
24		13350301		NEEDLE_HEAD_56						1	
25		MUY128S1000		NEEDLE UYX128GAS #10						3	
26		SM8030350TP		SCREW						4	
27		13351606		THROAT_PLATE						1	
28		13353909		MAIN_FEED_DOG						1	
29		13357801		DIFF_FEED_DOG						1	
30		13376256		PRESSER_FOOT_ASSEMBLY						1	
31	R	13376207	13376256	PRESSER_FOOT_BOTTOM		A	C10	*		1	1.00
31	R	13376207	40018289	PRESSER_FOOT_BOTTOM		B	E10	*		1	1.00
32	R	13376355	40037398	YIELDING_SECTION_ASSEMBLY				*		1	1.00
33		13376306		YIELDING_SECTION				*		1	
34		13377205		YIELDING_SECTION_SHANK				*		1	
35		13377304		PIVOT_PIN				*		1	
36		13376405		PRESSER_FOOT_GUIDE				*		1	
37		SM6030350SD		SCREW M3 L=2.9				*		1	
38		13376504		PRESSER_FOOT_SHANK				*		1	
39		SM7040800SL		SCREW				*		1	
40		13376603		YIELDING_SECTION_SPRING				*		1	
41	R	13376702	13376157	THREAD_SPRING_SCREW				*		1	1.00
42		SM4030455SP		SCREW				*		1	
43	R	PH0300164C0	PH0300162C0	PARALLEL PIN 3X16				*		1	1.00
44		SM8030500SP		SCREW				*		1	
45		13376801		SCREW_FOR_PRESSER_FOOT				*		1	

GAUGE PARTS COMPONENTS (2) (FOR MF-7700-C10)

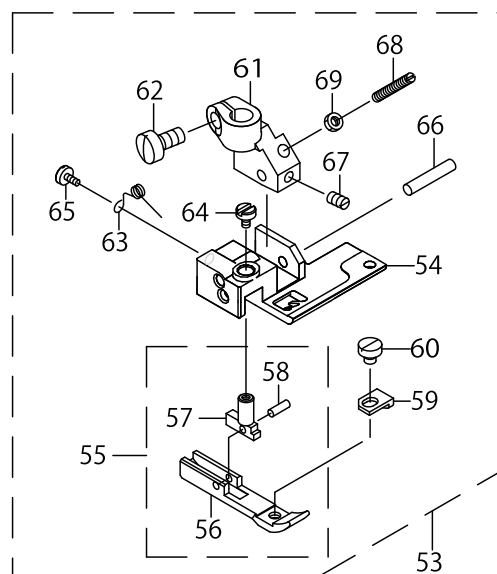
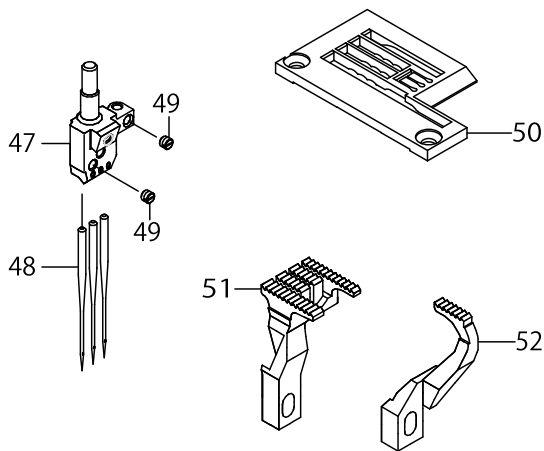
MF-7723-C10-B40



MF-7723-C10-B56



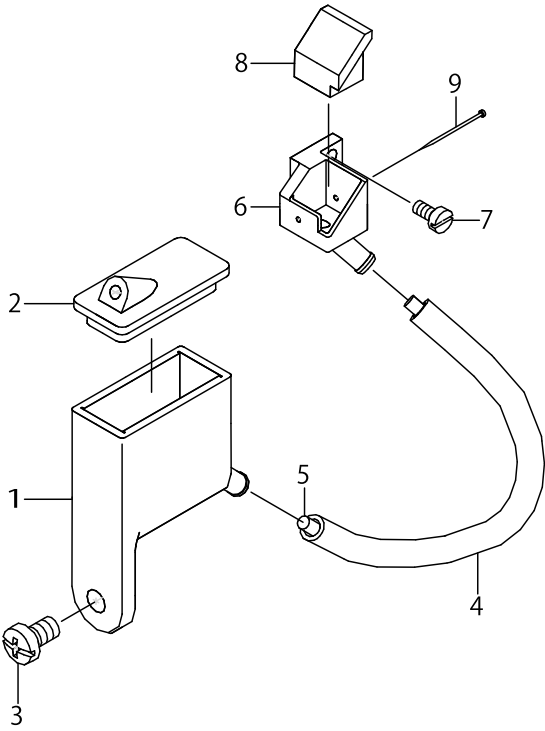
MF-7723-C10-B64



GAUGE PARTS COMPONENTS (2) (FOR MF-7700-C10)

No.	Supply Code	Parts No.	Replacement	Parts name	Remarks	Choice	Step	Level	Cons	Qty	Rep. QTY
46		NM6030001SD		NUT M3X0.5				*		1	
47		13350400		NEEDLE_HEAD_64						1	
48		MUY128S1000		NEEDLE UYX128GAS #10						3	
49		SM8030350TP		SCREW						4	
50		13351705		THROAT_PLATE						1	
51		13353909		MAIN_FEED_DOG						1	
52		13357801		DIFF_FEED_DOG						1	
53		13376256		PRESSER_FOOT_ASSEMBLY						1	
54	R	13376207	13376256	PRESSER_FOOT_BOTTOM		A	C10	*		1	1.00
54	R	13376207	40018289	PRESSER_FOOT_BOTTOM		B	E10	*		1	1.00
55	R	13376355	40037398	YIELDING_SECTION_ASSEMBLY				*		1	1.00
56		13376306		YIELDING_SECTION				*		1	
57		13377205		YIELDING_SECTION_SHANK				*		1	
58		13377304		PIVOT_PIN				*		1	
59		13376405		PRESSER_FOOT_GUIDE				*		1	
60		SM6030350SD		SCREW M3 L=2.9				*		1	
61		13376504		PRESSER_FOOT_SHANK				*		1	
62		SM7040800SL		SCREW				*		1	
63		13376603		YIELDING_SECTION_SPRING				*		1	
64	R	13376702	13376157	THREAD_SPRING_SCREW				*		1	1.00
65		SM4030455SP		SCREW				*		1	
66	R	PH0300164C0	PH0300162C0	PARALLEL_PIN_3X16				*		1	1.00
67		SM8030500SP		SCREW				*		1	
68		13376801		SCREW_FOR_PRESSER_FOOT				*		1	
69		NM6030001SD		NUT M3X0.5				*		1	

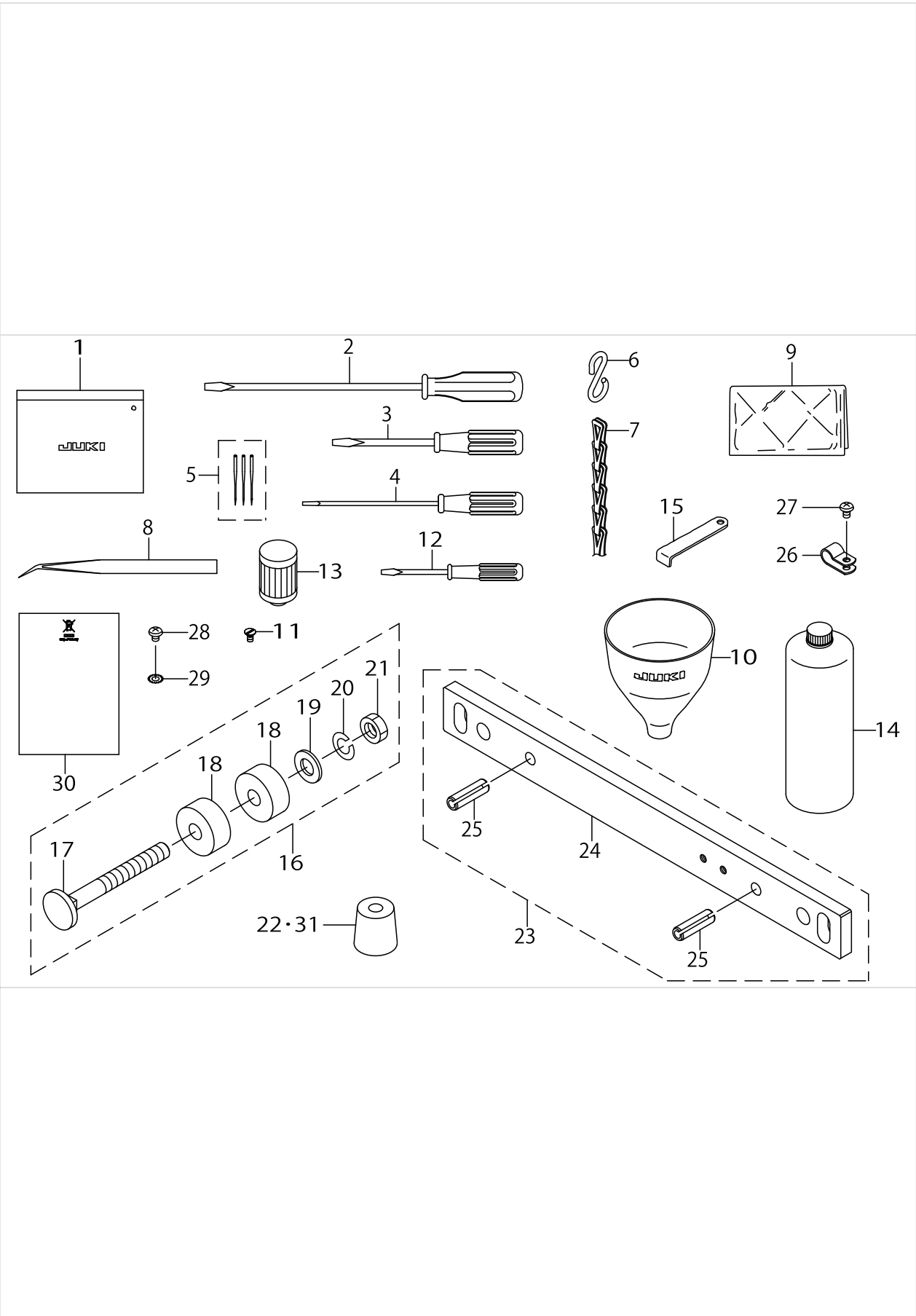
NEEDLE COOLING MECHANISM COMPONENTS



NEEDLE COOLING MECHANISM COMPONENTS

No.	Supply Code	Parts No.	Replacement	Parts name	Remarks	Choice	Step	Level	Cons	Qty	Rep. QTY
1		13348107		SILICONE OIL TANK						1	
2		13163001		TANK COVER						1	
3		SM4050855SP		SCREW						1	
4		BT0600402EA		OIL TUBE						.15	
5		CQ303000000		OIL WICK						.3	
6		13348206		SILICONE OIL CUP						1	
7		SM6030600SP		SCREW M3X0.5 L=6						2	
8		13348305		FELT						1	
9		11856101		NEEDLE COOLER PIN						1	

ACCESSORIES PARTS COMPONENTS



ACCESSORIES PARTS COMPONENTS

No.	Supply Code	Parts No.	Replacement	Parts name	Remarks	Choice	Step	Level	Cons	Qty	Rep. QTY
1		22932800		ACCESSORIE BAG						1	
2		22933006		SCREW DRIVER,LARGE						1	
3		22933105		SCREW DRIVER,MIDDLE						1	
4		12347308		SCREW DRIVER (SMALL)						1	
5		MUY128S1003		NEEDLE UYX128GAS #10-3						1	
6		13160304		S SHAPED HOOK						2	
7		26037903		CHAIN						1	
8		12288403		TWEEZERS						1	
9		22933303		VINYL COVER						1	
10		13160601		FUNNEL						1	
11		13302203		SCREW						1	
12		22933204		SCREW DRIVER,SMALL						1	
13		13142500		CARTRIDGE_FILTER						1	
14		MML018900CA		JUKI MACHINE OIL 18						1	
15		B9101490000		DRIVER						1	
16	R	13348958	13348966	ASSY_BOLT						4	1.00
17	R	13348909	13348966	BOLT				*		1	1.00
18	R	13349006	13348966	SPACER				*		2	1.00
19		WP1102016SC		WASHER 11X21X2				*		1	
20		WS1002560KR		SPRING WASHER 10X18X2.5				*		1	
21		NM6100003SC		NUT M10				*		1	
22		13155403		DUST-PROOF RUBBER						3	
23		13348859		SUPPORT_PLATE_ASSY						2	
24		13348800		SUPPORT PLATE				*		1	
25		PS0800252KP		SPRING PIN				*		2	
26		HX00150000C		CABLE CLIP						1	
27		SM4040655SP		SCREW M4 L=6						1	
28		WT0430002KN		WASHER M4						1	
29		SM4040501SN		SCREW M4X0.7 L=5						1	
30		CM600100201		WEEE INFORMATION SHEET						1	
31		40072505		ISOLATOR						1	

HOW TO MAKE USE OF THIS PARTS LIST

1.As to "#01" and "#02" refer to the "Note" given at the bottom of the respective pages.

2.Codes on the "Qty" column

- Each numeral indicates the number of parts required.
- "0.1" and "2.5" indicate the length (in meters) of the respective parts.

3.Parentheses mean that the corresponding part is a subpart that constructs an assembly part.

4.Dotted lines on the Figures indicate assembly parts.

1. リストページの# 0 1、# 0 2の印は、ページ下の"注記"の説明を参照下さい。
2. 数量欄の数字は、個数を表し、0. 1、2. 5等の数値は、長さ（単位メートル）を表します。
3. 数量欄の（ ）は、組部品を構成している子部品であることを意味します。
4. イラストページの-----枠は、組構成であることを意味します。

NUMERICAL INDEX OF PARTS

PART NO	PAGE	REF NO.	PART NO	PAGE	REF NO.	PART NO	PAGE	REF NO.
10753309	6	5	13302609	2	10	13313705	14	29
11856101	60	9	13302658	2	9	13313804	14	37
12288403	62	8	13302708	4	54	13313903	14	40
12347308	62	4	13302708	6	42	13313952	14	39
13123302	16	76	13303102	6	25	13314109	14	44
13123302	22	30	13303201	6	27	13314406	16	51
13137609	42	23	13303706	6	20	13314505	16	58
13137906	42	24	13303755	6	19	13314703	16	56
13140504	42	25	13303805	6	24	13314752	16	55
13142500	44	24	13303904	6	40	13314802	16	54
13142500	62	13	13304001	8	49	13314901	16	59
13155403	62	22·31	13304209	2	41	13315007	16	49
13160304	62	6	13304308	4	52	13315106	16	61
13160601	62	10	13304308	6	44	13315205	16	47
13163001	60	2	13304704	6	21	13315304	16	63
13167903	48	9	13304803	6	14	13315353	16	62
13168000	48	10	13305008	6	16	13315502	16	67
13168109	48	11	13305107	6	41	13315551	16	66
13168208	48	12	13305206	4	49	13315601	16	72
13168307	48	5	13307004	10	1	13315650	16	71
13168356	48	4	13307103	10	2	13315700	16	73
13168653	48	1	13307251	10	4	13315809	16	74
13170105	46	50	13307301	10	7	13315908	14	30
13170402	30	35	13307459	10	9	13316203	14	41
13213012	22	27	13307509	10	42	13316302	14	34
13217401	22	33	13307905	10	27	13317003	18	1
13217500	22	32	13308002	10	28	13317102	18	8
13217708	22	28	13308101	12	53	13317201	18	16
13227905	44	8	13308150	10	44	13317300	18	19
13228200	44	7	13308200	12	58	13317409	18	20~22
13228309	44	6	13308309	10	35	13317508	18	20~22
13300801	6	8	13308457	10	39	13317607	18	20~22
13300900	2	16	13308556	10	37	13317706	18	24
13300959	2	15	13308655	12	59	13317805	20	48
13301007	2	20	13308705	12	60	13317904	18	44
13301304	2	21	13308804	10	26	13318001	18	35
13301403	2	32	13309000	10	33	13318100	18	36
13301700	2	26	13309158	10	30	13318209	18	34
13301809	2	34	13309208	10	23	13318308	18	41
13302104	2	40	13313051	14	24	13318506	20	50
13302203	6	35	13313101	14	25	13318605	22	20
13302203	62	11	13313309	14	26	13318704	22	1~3
13302302	4	57	13313408	14	27	13318803	22	1~3
13302302	6	45	13313507	14	28	13318902	22	1~3
13302401	2	35	13313606	14	33	13319009	22	10

NUMERICAL INDEX OF PARTS

PART NO	PAGE	REF NO.	PART NO	PAGE	REF NO.	PART NO	PAGE	REF NO.
13319108	20	49	13324702	26	10	13333307	32	41
13319108	22	14	13324801	26	12	13333406	32	42
13319207	22	11	13324900	26	13	13333505	32	43
13319355	22	17	13325006	26	15	13333604	32	44
13319504	22	19	13325105	26	17	13333703	32	14
13319702	18	32	13325204	26	23	13333802	32	35
13319900	22	8	13325402	26	28	13334107	36	6
13319959	22	4	13325501	26	30	13334206	36	11
13320007	22	9	13325600	26	34	13334305	36	24
13320106	22	5	13325709	26	31	13334404	36	13
13320304	22	36	13325808	28	57	13334503	36	17
13320403	22	37	13325907	28	58	13334602	36	19
13320650	22	21	13326004	28	59	13334701	36	21
13320809	22	23	13326103	28	60	13334909	36	10
13321203	22	24	13326202	28	61	13335005	36	15
13321302	22	35	13326301	28	48	13335203	36	16
13321401	18	29	13326350	28	47	13337001	12	51
13321609	18	27	13326400	28	49	13337100	10	45
13321658	18	26	13326509	28	51	13337209	12	52
13321708	18	28	13326608	28	53	13337308	38	4
13321807	20	72	13326707	28	63	13337357	38	1
13321906	20	74	13326806	14	16	13337407	38	5
13322003	20	57	13326905	26	37	13337506	38	3
13322102	20	60	13327002	26	40	13337605	38	11
13322201	20	55	13327101	26	43	13337704	38	19
13322409	18	30	13328208	30	5	13337803	38	21
13322508	20	63	13328802	30	21	13337902	38	29
13322607	20	64	13329206	30	28	13338009	38	23
13322706	20	65	13329404	30	23	13338108	38	25
13322805	20	66	13331004	32	16	13338207	38	24
13322904	20	68	13331202	32	1	13338306	38	18
13323001	20	67	13331301	32	6	13338405	38	27
13323100	20	47	13331400	32	12	13338504	38	15
13323209	22	42	13332002	32	33	13338603	38	17
13323308	18	12~14	13332101	32	38	13338702	38	8
13323407	18	12~14	13332309	32	23	13338801	38	32
13323506	18	12~14	13332507	32	3~5	13338900	30	29
13323605	20	71	13332606	32	11	13338900	38	26
13323803	18	9	13332705	34	48	13340005	40	1
13324009	10	16	13332804	32	28	13340104	40	2
13324108	12	49	13332903	32	26	13340203	40	14
13324207	10	17	13333000	32	3~5	13340252	40	10
13324306	26	3	13333109	32	3~5	13340302	40	15
13324504	26	5	13333208	14	42	13340401	40	17
13324603	26	8	13333208	32	25	13340500	40	11

NUMERICAL INDEX OF PARTS

PART NO	PAGE	REF NO.	PART NO	PAGE	REF NO.	PART NO	PAGE	REF NO.
13340609	40	19	13350400	58	47	13376355	56	55
13340708	40	20	13351408	56	4	13376355	58	55
13340807	40	21	13351606	56	27	13376405	56	59
13340807	42	21	13351705	58	50	13376405	58	59
13340906	42	26	13353701	52	47	13376504	56	61
13341359	40	5	13353800	56	5	13376504	58	61
13341409	40	6	13353909	56	51	13376603	56	63
13341508	40	7	13353909	58	51	13376603	58	63
13341607	40	18	13354204	50	26	13376702	56	64
13341706	40	13	13357603	52	48	13376702	58	64
13343009	44	3	13357702	56	6	13376801	56	68
13343108	44	2	13357801	56	52	13376801	58	68
13343207	44	10	13357801	58	52	13376900	50	60
13343306	44	11	13358304	50	27	13376900	52	60
13343405	44	9	13375001	50	50	13376900	54	60
13343801	44	25	13375001	52	50	13377007	50	61
13344809	44	23	13375050	50	49	13377007	52	61
13345053	44	20	13375050	52	49	13377007	54	61
13345202	44	21	13375100	50	56	13377106	50	55
13345400	44	5	13375100	52	56	13377106	52	55
13345459	44	1	13375209	50	53	13377205	56	57
13345509	46	48	13375209	52	53	13377205	58	57
13345608	46	52	13375308	50	63	13377304	56	58
13345855	44	28	13375308	52	63	13377304	58	58
13345905	46	55	13375308	54	63	13398409	22	16
13346101	46	59	13375407	50	62	13399209	30	8
13346259	44	30	13375407	52	62	13409800	4	48
13346309	46	53	13375407	54	62	13411806	30	12
13346556	44	26	13375506	50	51	13426903	6	32
13346606	46	57	13375506	52	51	22901805	2	12
13346705	46	44	13375605	50	58	22902506	2	17
13348008	26	18	13375605	52	58	22924708	6	7
13348107	60	1	13375605	54	58	22928907	42	22
13348206	60	6	13375704	50	57	22930309	48	13
13348305	60	8	13375704	52	57	22930408	48	7
13348800	62	24	13376009	50	9	22930705	48	29
13348859	62	23	13376058	50	7	22930804	48	17
13348909	62	17	13376108	56	8	22930903	48	16
13348958	62	16	13376157	56	7	22931000	48	15
13349006	62	18	13376207	56	54	22931109	48	14
13350103	56	1	13376207	58	54	22931307	48	8
13350202	50	1	13376256	56	53	22931406	48	6
13350301	50	22	13376256	58	53	22932800	62	1
13350301	56	24	13376306	56	56	22933006	62	2
13350400	52	43	13376306	58	56	22933105	62	3

NUMERICAL INDEX OF PARTS

PART NO	PAGE	REF NO.	PART NO	PAGE	REF NO.	PART NO	PAGE	REF NO.
22933204	62	12	40078299	14	19	B3121804000	40	12
22933303	62	9	40078300	14	20	B3215470000	18	39
22945505	28	52	40078301	14	11	B9101490000	62	15
22945802	28	50	40078302	14	6	B9213850000	26	19
23612609	26	9	40078303	14	8	B9214850000	26	20
23629306	44	40	40078304	14	12	BP30000010R	44	42
23629504	46	43	40078305	14	5	BT0600402EA	60	4
26037903	62	7	40078306	14	7	CM300200001	2	13
30391601	26	24	40078307	14	46	CM3002000A1	2	11
31013808	22	39	40078309	30	11	CM301200001	6	2
40004573	30	31	40078310	30	7	CM600100201	62	30
40004749	44	15	40078311	30	13	CQ303000000	18	23
40018259	14	31	40078312	30	16	CQ303000000	22	43
40018443	22	38	40078313	30	17	CQ303000000	60	5
40018923	36	5	40078314	30	18	CS0800881TP	16	52
40018946	6	11	40078316	30	25	CS1000881TP	20	61
40018947	36	1	40078317	14	18	CS1000881TP	22	40
40019335	32	21	40078318	30	1	CS1000881TP	26	6
40020538	32	15	40078319	30	4	CS1000881TP	30	19
40023042	32	34	40078320	16	78	CS1000881TP	32	17
40023441	32	20	40081402	30	10	HX00150000C	62	26
40023481	32	19	40081954	6	3	MML018900CA	62	14
40033340	2	24	40081956	6	6	MUY128S1000	50	44
40033341	2	25	40081965	12	63	MUY128S1000	52	44
40033518	2	23	40083514	46	60	MUY128S1000	56	48
40040513	52	46	40083520	30	3	MUY128S1000	58	48
40040514	50	4	40099363	2	46	MUY128S1003	62	5
40040515	50	25	40099365	6	13	NM6030001SD	56	69
40072505	62	22·31	40099367	6	37	NM6030001SD	58	69
40078277	10	22	40099369	4	47	NM6030001SN	32	45
40078278	12	55~57	40099370	6	29	NM6040001SP	2	44
40078279	12	55~57	40099371	4	58	NM6040001SP	44	16
40078280	12	55~57	40099372	6	15	NM6040002SE	48	25
40078282	12	62	40099373	4	61	NM6050001SE	48	20
40078283	10	13	40099374	4	60	NM6050001SP	18	43
40078284	10	18	40099536	6	12	NM6050001SP	28	54
40078285	14	2	40099537	6	28	NM6050001SP	30	27
40078290	14	3	40099538	2	45	NM6050001SP	38	14
40078291	14	10	40099539	6	36	NM6050001SP	46	46
40078292	14	4	B1426180A00	18	3~6	NM6060001CP	16	69
40078293	14	1	B1426180B00	18	3~6	NM6100003SC	62	21
40078293	30	33	B1426180C00	18	3~6	NM6160511SE	48	28
40078294	14	13	B1426180D00	18	3~6	PH0300164C0	56	66
40078295	14	14	B2008372000	40	16	PH0300164C0	58	66
40078296	14	21	B2556280000	20	54	PS0150082KH	26	21

NUMERICAL INDEX OF PARTS

PART NO	PAGE	REF NO.	PART NO	PAGE	REF NO.	PART NO	PAGE	REF NO.
PS0300162KH	18	45	SM1850600SP	52	59	SM6030350SD	56	60
PS0400082KP	10	34	SM1850600SP	54	59	SM6030350SD	58	60
PS0500142KP	16	60	SM4030455SN	2	28	SM6030500SN	14	36
PS0800252KP	62	25	SM4030455SP	14	32	SM6030600SP	4	59
RC0100001KP	22	13	SM4030455SP	26	33	SM6030600SP	22	7
RC0650811KP	36	14	SM4030455SP	56	65	SM6030600SP	60	7
RC0741013KP	22	15	SM4030455SP	58	65	SM6040600SP	44	13
RC1900002KP	6	33	SM4030655SP	14	17	SM6040750TP	38	30
RC2251213KP	18	7	SM4030655SP	26	45	SM6040800SP	6	26
RC2800002KP	32	9	SM4030855SN	26	26	SM6040800SP	12	48
RC4381514KP	2	2	SM4040501SN	62	29	SM6040800SP	20	76
RC4881514KP	2	1	SM4040655SP	2	56	SM6040800SP	28	56
RE0300000K0	4	50	SM4040655SP	4	56	SM6040800SP	30	24
RE0300000K0	6	38	SM4040655SP	8	47	SM6040800SP	36	20
RE0300000K0	16	77	SM4040655SP	26	62	SM6040800SP	50	52
RE0300000K0	22	31	SM4040655SP	28	62	SM6040800SP	52	52
RE0500000K0	18	42	SM4040655SP	32	29	SM6041000SP	14	38
RE0700000K0	36	8	SM4040655SP	40	4	SM6041000SP	18	70
RE0700000K0	38	10	SM4040655SP	44	56	SM6041000SP	20	70
RO044530010	12	61	SM4040655SP	46	56	SM6041000SP	38	20
RO055200100	18	38	SM4040655SP	62	27	SM6041002TP	6	50
RO068190100	22	22	SM4040855SP	12	54	SM6041002TP	8	50
RO137230100	20	58	SM4041001SC	48	21	SM6041200SP	14	43
RO148240200	10	41	SM4041055SP	2	42	SM6041200SP	30	22
RO148240200	36	25	SM4041055SP	6	48	SM6041202TP	10	14
RO158240100	18	11	SM4041055SP	8	48	SM6041202TP	16	64
RO195240100	6	10	SM4041055SP	26	14	SM6041202TP	36	3
SB108002100	32	8	SM4041055SP	42	27	SM6041202TP	38	2
SB120001500	36	23	SM4041055SP	44	22	SM6042000SP	44	12
SB120001900	10	19	SM4041201SC	48	23	SM6050800SP	6	34
SD0640246SP	2	30	SM4041655SP	40	8	SM6050800SP	36	18
SD0640246SP	32	30	SM4042001SC	48	24	SM6051000SP	14	15
SD0700206TP	14	45	SM4050855SP	2	37	SM6051002TP	26	1
SD0700586TP	16	65	SM4050855SP	60	3	SM6051202TP	16	57
SD0801326TH	18	33	SM4051055SP	10	46	SM6051400SP	2	38
SL4040805SC	4	64	SM4051255SP	2	14	SM6051402TP	26	11
SL4040805SC	46	58	SM4051255SP	20	52	SM6051402TP	38	28
SL4041281SC	32	24	SM4051255SP	22	34	SM6051602TP	18	18
SM0081001SD	46	51	SM4051405SE	48	19	SM6051602TP	46	62
SM1030400SP	20	69	SM4850455SP	26	42	SM6060800SP	2	31
SM1030800SM	32	10	SM4850455SP	32	47	SM6060800SP	16	50
SM1040800SP	6	18	SM4850455SP	34	47	SM6061002TP	16	48
SM1040800SP	26	46	SM4850455SP	36	22	SM6061200SP	10	25
SM1041400SP	6	22	SM5040655SN	22	26	SM6061202TP	16	70
SM1850600SP	50	59	SM5050855SN	4	62	SM6061202TP	22	18

NUMERICAL INDEX OF PARTS

PART NO	PAGE	REF NO.	PART NO	PAGE	REF NO.	PART NO	PAGE	REF NO.
SM6061402TP	10	47	SM8060612TP	30	15	WP0550800SP	30	26
SM6061402TP	12	47	SM8060612TP	36	2	WP0550800SP	38	13
SM6061402TP	22	6	SM8060612TP	38	31	WP0550800SP	46	61
SM6061402TP	30	6	SM8060812TP	10	36	WP0550836SC	4	63
SM6061610SC	48	18	SM8060842TP	10	31	WP0621016SD	24	47
SM6061802TP	46	49	SM8061212TP	10	29	WP0702026SP	14	22
SM7040800SL	56	62	SM8080812TP	10	24	WP0961046SC	40	9
SM7040800SL	58	62	SM9061050TP	30	14	WP1021026SH	36	9
SM8030350TP	26	25	SM9062550TP	16	68	WP1021026SH	38	9
SM8030350TP	50	45	SQ0000452MZ	44	35	WP1022016SH	30	30
SM8030350TP	52	45	SQ0000453MZ	44	33	WP1102016SC	62	19
SM8030350TP	56	49	SQ0000454MZ	44	32	WP1612616SE	48	26
SM8030350TP	58	49	SQ2050452MZ	46	45	WS0510002KN	28	64
SM8030412TP	50	54	SQ2060441SD	44	36	WS0510002KN	48	3
SM8030412TP	52	54	SQ2060442SD	44	34	WS0510002KP	12	50
SM8030500SP	56	67	SQ2060451MZ	44	14	WS0510002KP	26	2
SM8030500SP	58	67	ST4040851SN	26	22	WS1002560KR	62	20
SM8040360TP	4	55	TA0500601M0	22	45	WS1643202KR	48	27
SM8040360TP	6	46	TA0500601M0	38	16	WT0430002KN	62	28
SM8040410TP	14	35	TA0600401R0	30	32	WZ0641510KP	2	27
SM8040410TP	30	9	TA0850604R0	6	43	WZ0641510KP	32	31
SM8040412TP	2	3	TA1050504R0	2	18	WZ1052010KP	14	23
SM8040412TP	18	40	TA1250406R0	2	5			
SM8040412TP	36	4	TA1600406R0	36	7			
SM8040602TP	18	37	TA1600406R0	38	7			
SM8040612TP	20	59	TA1701002R0	2	6			
SM8050412TP	16	53	TA2050406R0	2	4			
SM8050412TP	18	62	TA2050416R0	2	8			
SM8050412TP	20	62	TA2101002R0	2	7			
SM8050412TP	22	48	TA2351004R0	6	9			
SM8050412TP	24	48	WP0280500SC	32	46			
SM8050412TP	26	7	WP0280500SC	34	46			
SM8050412TP	30	20	WP0280501SC	26	41			
SM8050412TP	32	18	WP0280501SC	32	36			
SM8050412TP	36	12	WP0320501SC	26	44			
SM8050412TP	44	4	WP0410516SD	32	32			
SM8050612TP	38	12	WP0450826SC	22	25			
SM8050812TP	18	73	WP0450826SC	28	55			
SM8050812TP	20	73	WP0460556SD	16	75			
SM8060412TP	30	34	WP0460556SD	22	29			
SM8060552TP	18	56	WP0461516SH	38	22			
SM8060552TP	20	56	WP0480856SP	20	75			
SM8060552TP	22	46	WP0522016SH	26	4			
SM8060552TP	32	22	WP0550800SP	4	51			
SM8060612TP	10	43	WP0550800SP	6	39			