

MODEL : IP-110(A)/110(D)

List No : 1485-01

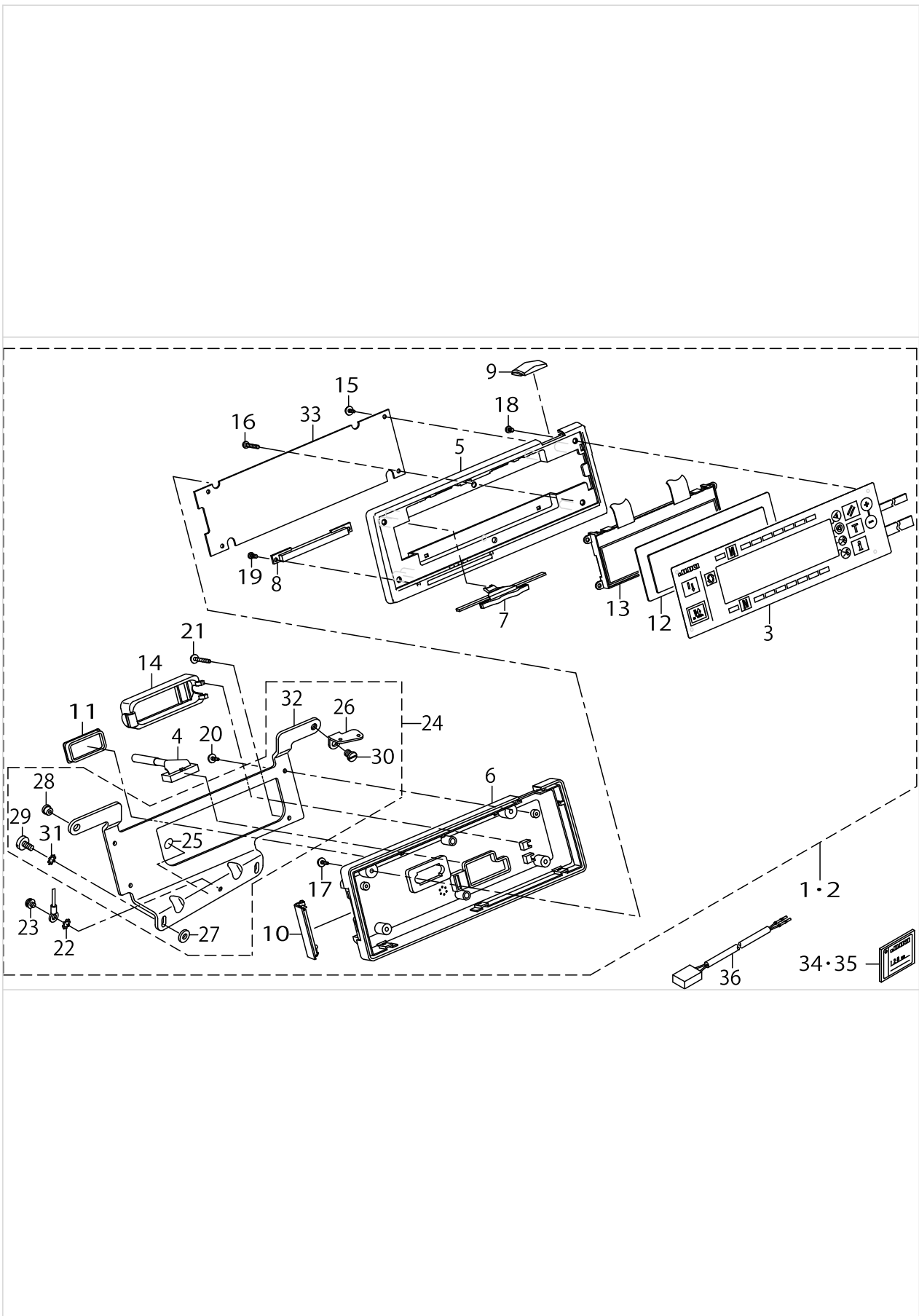
PARTS LIST

Published:05/12/2017

CONTENTS

OPERATIONAL PANEL.....	1
HOW TO MAKE USE OF THIS PARTS LIST	3

OPERATIONAL PANEL



OPERATIONAL PANEL

No.	Supply Code	Parts No.	Replacement	Parts name	Remarks	Choice	Step	Level	Cons	Qty	Rep. QTY
1		40054940		IP-110 TYPE-A COMPLETE	FOR IP-110(A)					1	
2		40054943		IP-110 TYPE-D COMPLETE	FOR IP-110(D)					1	
3		40055194		PANEL SHEET ASSY				*		1	
4		40005902		PANEL CABLE B ASM.				*		1	
5	R	40055002	40105708	FRONT PANEL				*		1	1.00
6		40055005		BACK PANEL				*		1	
7		40005844		SPEED ADJUSTING KNOB				*		1	
8		40005845		SPEED KNOB SUPPORT				*		1	
9	D	40005846		INDICATION WINDOW				*		1	
10		40055007		MEDIA COVER				*		1	
11		40005848		D-SUB 9P COVER				*		1	
12		40005847		LCD COVER				*		1	
13	R	KG000000100	KG000000140	LCD				*		1	1.00
14		M1003371000		CORD EXIT COVER				*		1	
15	D	SV4030802SN		TAPPING SCREW W- ITH FLANGE M3X8				*		3	
16		SM4032001SC		SCREW M3X0.5 L=20				*		1	
17	D	SV4030802SN		TAPPING SCREW W- ITH FLANGE M3X8				*		2	
18		SM4030601SC		SCREW M3 X 6				*		3	
19		ST4030851SN		SCREW				*		2	
20		SV4031001SN		TAPPING SCREW				*		2	
21		SV4032502SN		TAPPING SCREW				*		2	
22		WT0430002KE		TOOTHED WASHER				*		1	
23		SL4040691SC		SCREW M4 L=6				*		1	
24		40005903		PANEL BRACKET ASM.				*		1	
25		22901805		GROUND MARK				*		1	
26	R	B1111232000	26211904	THREAD GUIDE PLATE				*		1	1.00
27		B1144771000		FRAME SIDE COVER GASKET (C)				*		2	
28	R	B3319704L00	22931208	THREAD GUIDE				*		1	1.00
29		SS6121030SN		SCREW 3/16-28 L=10				*		2	
30		SS7150740SP		SCREW 15/64-28 L=7				*		1	
31		WT0530002KS		TOOTHED WASHER D=5.3				*		2	
32		40005861		PANEL BRACKET A				*		1	
33		40046138		PANEL PCB ASSY				*		1	
34		40055293		COMPACTFLASH(TM) TYPE A	FOR IP-11- 0(A) OPTI- ONAL PARTS					1	
35		40055295		COMPACTFLASH(TM) TYPE D	FOR IP-11- 0(D) OPTI- ONAL PARTS					1	
36		40008168		OP SWITCH CABLE A ASSY						1	

HOW TO MAKE USE OF THIS PARTS LIST

1.Explanation of codes

1)"*"mark.....means this part is changed from the previous parts book.

As to the details of the change, refer to the "List for information of change".

2)"#01".....refer to 'Note' explanation at bottom of page.

2.Codes on the "Qty" column

• Each numeral indicates the number of parts required.

• "0.1" and "2.5" indicate the length (in meters) of the respective parts.

3.Parentheses mean that the corresponding part is a subpart that constructs an assembly part.

4.Dotted lines on the Figures indicate assembly parts.

5.As to the parts with marks of "☆"(consumable parts) and "◎"(optional parts)on the respective parts, it is recommended to prepare spares.

1 ."注記"欄の記号説明

1) "*"印.....前回のパーツブックに比較して今回変更された部品を意味します。

変更内容は、"変更情報リスト"を参照してください。

2) "#01".....ページ下の"注記"の説明を参照してください。

2.数量欄の数字は、個数を表し、0.1、2.5等の数値は、長さ（単位メートル）を表します。

3.数量欄の（ ）は、組部品を構成している子部品であることを意味します。

4.イラストページの-----枠は、組構成であることを意味します。

5.リストページの"☆"（消耗部品）、"◎"（オプション部品）の印がついた部品は、予備を準備しておくことをお勧めします。

※"コンパクトフラッシュ（TM）"は米国サンディスク社の登録商標です。

*"CompactFlash(TM)"is the registered trademark of SanDisk Corporation,U.S.A

NUMERICAL INDEX OF PARTS

PART NO	PAGE	REF NO.
22901805	2	25
40005844	2	7
40005845	2	8
40005846	2	9
40005847	2	12
40005848	2	11
40005861	2	32
40005902	2	4
40005903	2	24
40008168	2	36
40046138	2	33
40054940	2	1·2
40054943	2	1·2
40055002	2	5
40055005	2	6
40055007	2	10
40055194	2	3
40055293	2	34·35
40055295	2	34·35
B1111232000	2	26
B1144771000	2	27
B3319704L00	2	28
KG000000100	2	13
M1003371000	2	14
SL4040691SC	2	23
SM4030601SC	2	18
SM4032001SC	2	16
SS6121030SN	2	29
SS7150740SP	2	30
ST4030851SN	2	19
SV4030802SN	2	17
SV4031001SN	2	20
SV4032502SN	2	21
WT0430002KE	2	22
WT0530002KS	2	31