

MODEL : CP-170

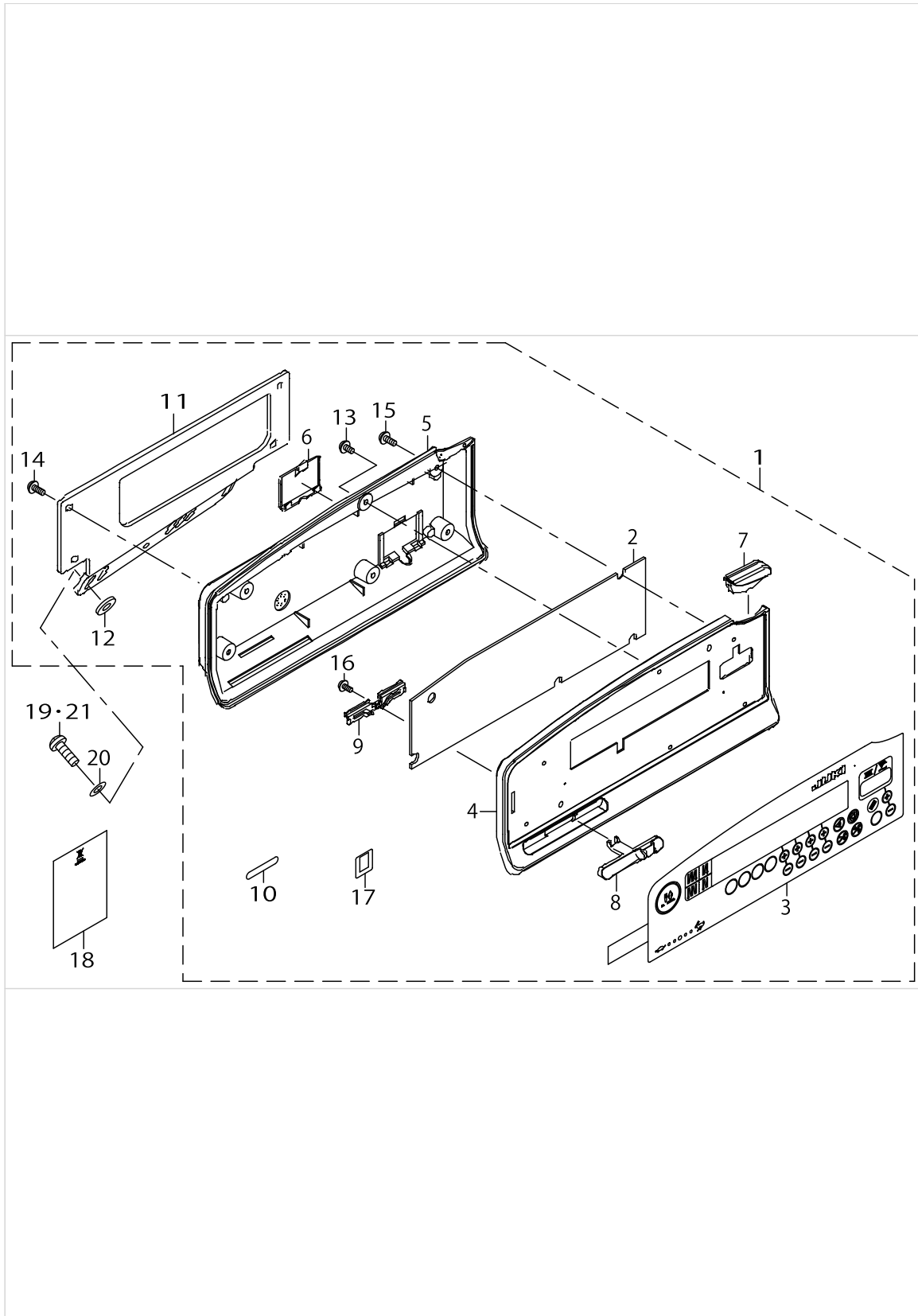
List No : 1475-03

PARTS LIST

Published:05/12/2017

CONTENTS

CP-170.....	1
HOW TO MAKE USE OF THIS PARTS LIST	3



CP-170

No.	Supply Code	Parts No.	Replacement	Parts name	Remarks	Choice	Step	Level	Cons	Qty	Rep. QTY
1	D	40050623		CP-170 TYPE-A						1	
2		40044602		CP PCB ASSY				*		1	
3		40044606		MEMBRANE SWITCH				*		1	
4		40044607		FRONT COVER				*		1	
5		40044608		REAR COVER				*		1	
6		40044609		END COVER				*		1	
7		40044610		INDICATER				*		1	
8		40044611		VOLUME KNOB A				*		1	
9		40044612		VOLUME KNOB B				*		1	
10		40044616		TYPE LABEL A				*		1	
11		40061614		PANEL BRACKET				*		1	
12		B1144771000		FRAME SIDE COVER GASKET (C)				*		4	
13	D	ST4030651SN		SCREW M3 X 6				*		1	
14	D	SV4030802SN		TAPPING SCREW W- ITH FLANGE M3X8				*		4	
15	D	SV4030802SN		TAPPING SCREW W- ITH FLANGE M3X8				*		5	
16		ST4850651SN		TAPPING SCREW D=2.5 L=6				*		1	
17		CM600100101		WEEE MARK LABEL S				*		1	
18		CM600100201		WEEE INFORMATION SHEET				*		1	
19		SS4121215SP		SCREW 3/16-28 L=12	FOR DDL-- 8700,DLN-- 9010,DDL- -55** - - DDL- -55 * * 用					2	
20		WP0501016SD		WASHER 5X10.5X1						4	
21		SM4051255SP		SCREW..M5 L=12.	FOR DDL-9000A					2	

HOW TO MAKE USE OF THIS PARTS LIST

1.As to "#01" and "#02" refer to the "Note" given at the bottom of the respective pages.

2.Codes on the "Qty" column

- Each numeral indicates the number of parts required.
- "0.1" and "2.5" indicate the length (in meters) of the respective parts.

3.Parentheses mean that the corresponding part is a subpart that constructs an assembly part.

4.Dotted lines on the Figures indicate assembly parts.

1. リストページの# 0 1、# 0 2の印は、ページ下の"注記"の説明を参照下さい。
2. 数量欄の数字は、個数を表し、0. 1、2. 5等の数値は、長さ（単位メートル）を表します。
3. 数量欄の（ ）は、組部品を構成している子部品であることを意味します。
4. イラストページの-----枠は、組構成であることを意味します。

NUMERICAL INDEX OF PARTS

PART NO	PAGE	REF NO.
40044602	2	2
40044606	2	3
40044607	2	4
40044608	2	5
40044609	2	6
40044610	2	7
40044611	2	8
40044612	2	9
40044616	2	10
40050623	2	1
40061614	2	11
B1144771000	2	12
CM600100101	2	17
CM600100201	2	18
SM4051255SP	2	19-21
SS4121215SP	2	19-21
ST4030651SN	2	13
ST4850651SN	2	16
SV4030802SN	2	15
WP0501016SD	2	20