

MODEL : AH5/AH6/AH7/AH8 A仕様

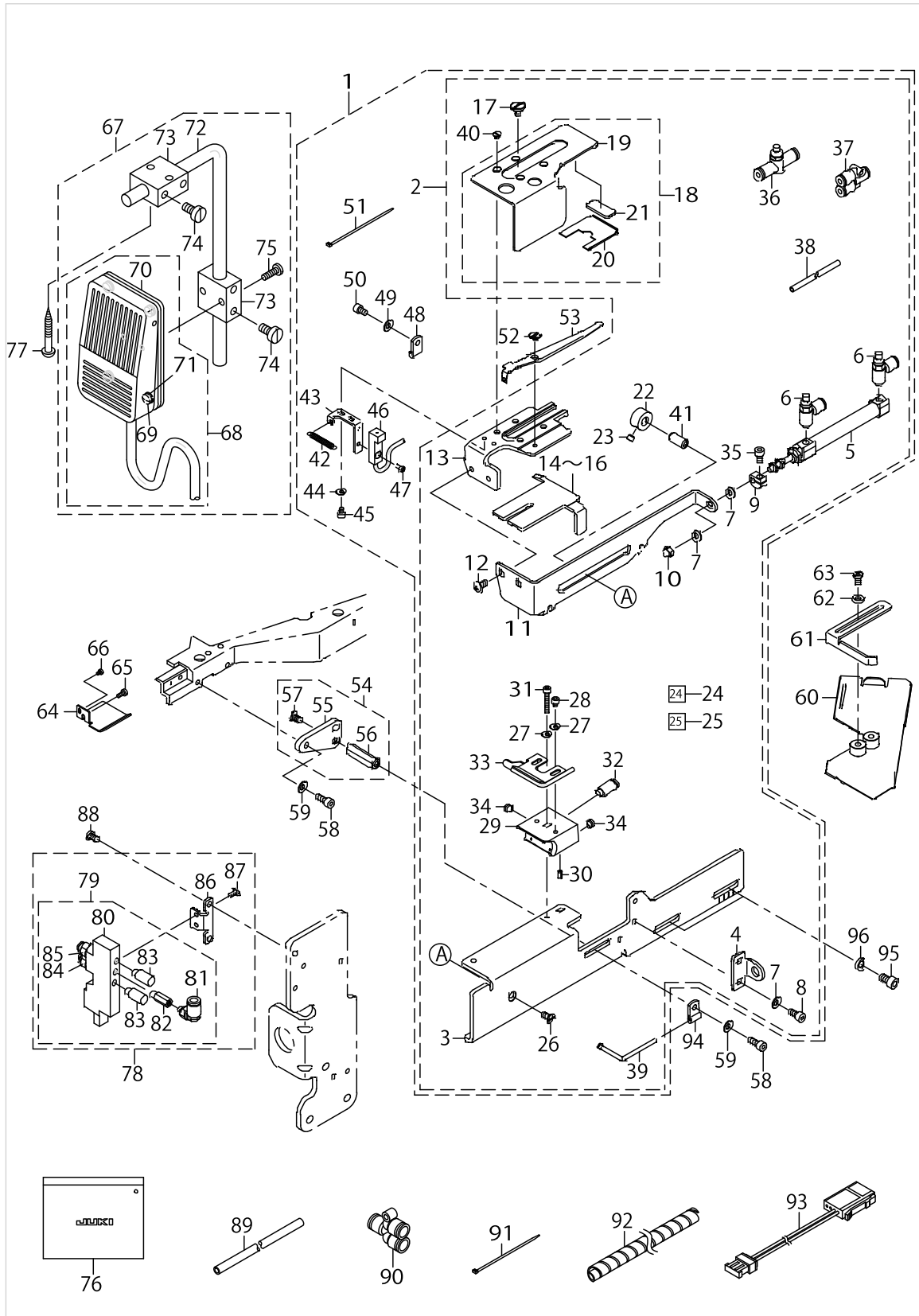
List No : 1467-00

PARTS LIST

Published:05/12/2017

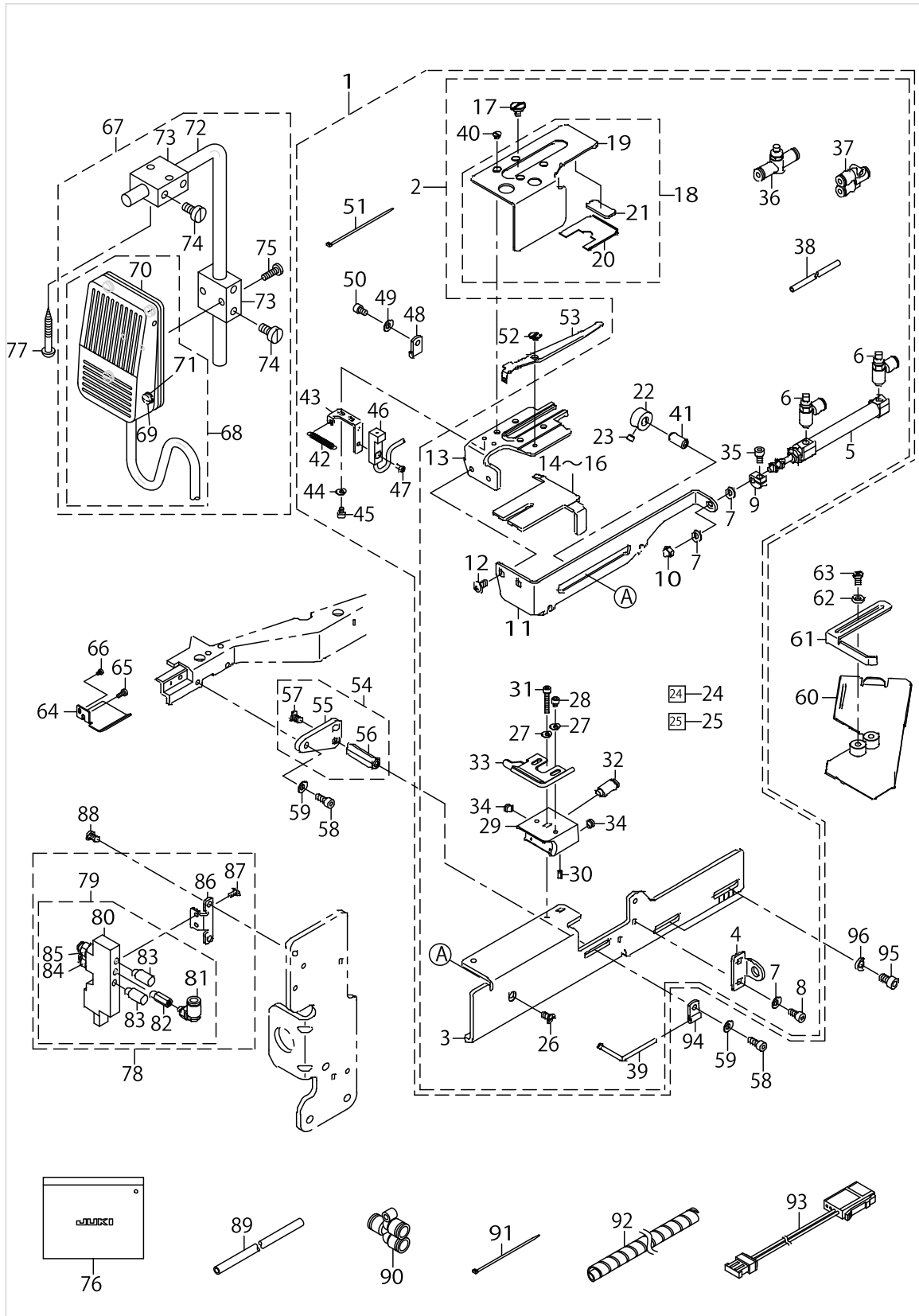
CONTENTS

| | |
|--|----|
| AH5/AH6 | 1 |
| AH7/AH8 | 7 |
| HOW TO MAKE USE OF THIS PARTS LIST | 11 |



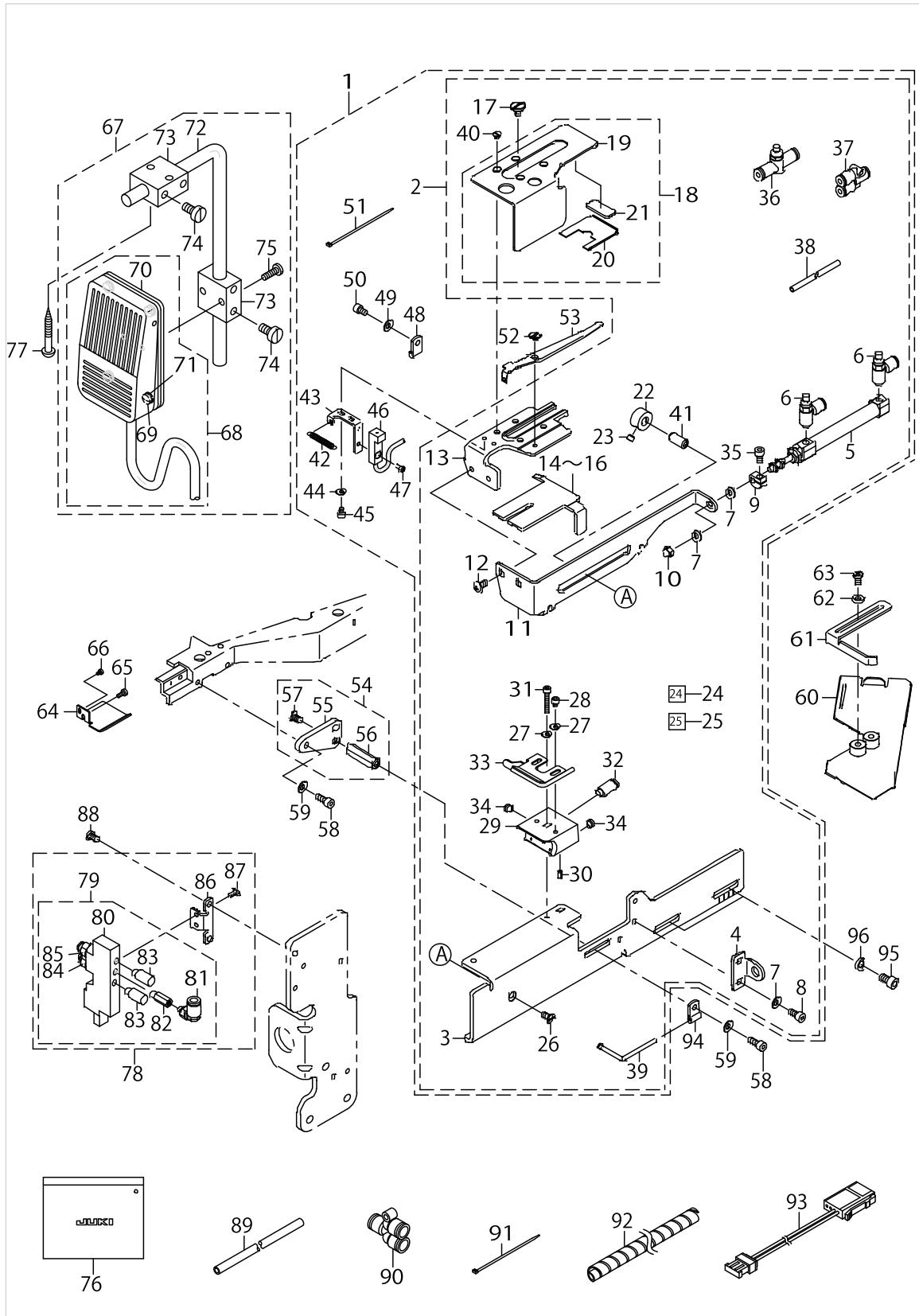
AH5/AH6

| No. | Supply Code | Parts No. | Replacement | Parts name | Remarks | Choice | Step | Level | Cons | Qty | Rep. QTY |
|-----|-------------|-------------|-------------|------------------------------|----------------|--------|------|-------|------|------|----------|
| 1 | | 40052748 | | AH6_ASSY | FOR AH6 | | | | | 1 | |
| 2 | | 40052747 | | AH5_ASSY | | | | * | | 1 | |
| 3 | | 40044951 | | ATTACHEMENT_BRACKET(U10) | | | | * | | 1 | |
| 4 | | 40044945 | | CYLINDER_BRACKET | | | | * | | 1 | |
| 5 | | PA1004510A0 | | AIR CYLINDER | | | | * | | 1 | |
| 6 | | PC010508000 | | SPEED CONTROLLER | | | | * | | 2 | |
| 7 | | WP0430801SC | | WASHER 4.3X9X0.8 | | | | * | | 4 | |
| 8 | | SM6040802TN | | SCREW | | | | * | | 2 | |
| 9 | | G5415254000 | | CYLINDER ADJUSTING COLLAR | | | | * | | 1 | |
| 10 | | NM7040032SC | | HEXAGONAL CAP NUT, TYPE 3 M4 | | | | * | | 1 | |
| 11 | | 40044928 | | CYLINDER_PLATE | | | | * | | 1 | |
| 12 | | SM0040801SC | | SCREW | | | | * | | 2 | |
| 13 | | 40044938 | | HOLDER_BRACKET | | | | * | | 1 | |
| 14 | | 40044942 | | EGRESS_PLATE_B (T=2.6) | | | | * | | 1 | |
| 15 | | 40044941 | | EGRESS_PLATE_A (T=1.6) | OPTIONAL PARTS | | | * | | 1 | |
| 16 | | 40044943 | | EGRESS_PLATE_C (T=3.6) | OPTIONAL PARTS | | | * | | 1 | |
| 17 | | SD0700226TP | | SHOULDER SCREW D=7 H=2.2 | | | | * | | 1 | |
| 18 | | 40044958 | | HOLDER_UPPER_PLATE_ASSY | | | | * | | 1 | |
| 19 | | 40044934 | | HOLDER_UPPER_PLATE | | | | * | | 1 | |
| 20 | | 40044935 | | HOLDER_LOWER_PLATE | | | | * | | 1 | |
| 21 | | 40044955 | | LOWER_PLATE_SPACER | | | | * | | 1 | |
| 22 | R | CS0700881TP | 40010434 | THRUST COLLAR D=7 W=8 | | | | * | | 1 | 1.00 |
| 23 | | SM8050412TP | | SCREW M5 L=4 | | | | * | | 2 | |
| 24 | | 18037309 | | WIRE MARK (24) | | | | * | | 1 | |
| 25 | | 18037408 | | WIRE MARK (25) | | | | * | | 1 | |
| 26 | | SM1040800SP | | SCREW | | | | * | | 1 | |
| 27 | | WP0320501SC | | WASHER M3 | | | | * | | 3 | |
| 28 | | SM6030402TN | | BOLT M3X4 | | | | * | | 2 | |
| 29 | | 40044929 | | HEM_CAP | | | | * | | 1 | |
| 30 | | PS0300062KH | | SPRING PIN 3X6 | | | | * | | 1 | |
| 31 | | SM6032002TN | | SCREW M3X0.5 L=20 | | | | * | | 1 | |
| 32 | | PJ210004200 | | HALF UNION | | | | * | | 1 | |
| 33 | | 40044930 | | WORK_GUIDE_ASSY | | | | * | | 1 | |
| 34 | | SM8050412TP | | SCREW M5 L=4 | | | | * | | 2 | |
| 35 | | SM6040802TN | | SCREW | | | | * | | 1 | |
| 36 | | PC012406000 | | SPEED CONTROLLER | | | | * | | 2 | |
| 37 | | PJ308040006 | | UNION | | | | * | | 3 | |
| 38 | | BT0400251EB | | URETHANE HOSE, BLACK | | | | * | | 2.58 | |
| 39 | | 40044940 | | AIR_NOZZLE | | | | * | | 1 | |
| 40 | | SM1030400SP | | SCREW M3 L=4 | | | | * | | 4 | |
| 41 | | 40044944 | | STUD | | | | * | | 1 | |
| 42 | | 40044949 | | SENSOR_SPRING | FOR AH6 | | | * | | 1 | |
| 43 | | 40044948 | | SENSOR_BRACKET | FOR AH6 | | | * | | 1 | |
| 44 | | WP0320501SC | | WASHER M3 | FOR AH6 | | | * | | 2 | |
| 45 | | SM6030402TN | | BOLT M3X4 | FOR AH6 | | | * | | 2 | |
| 46 | | 40052573 | | CLOTH SENSOR CORD ASM. | FOR AH6 | | | * | | 1 | |



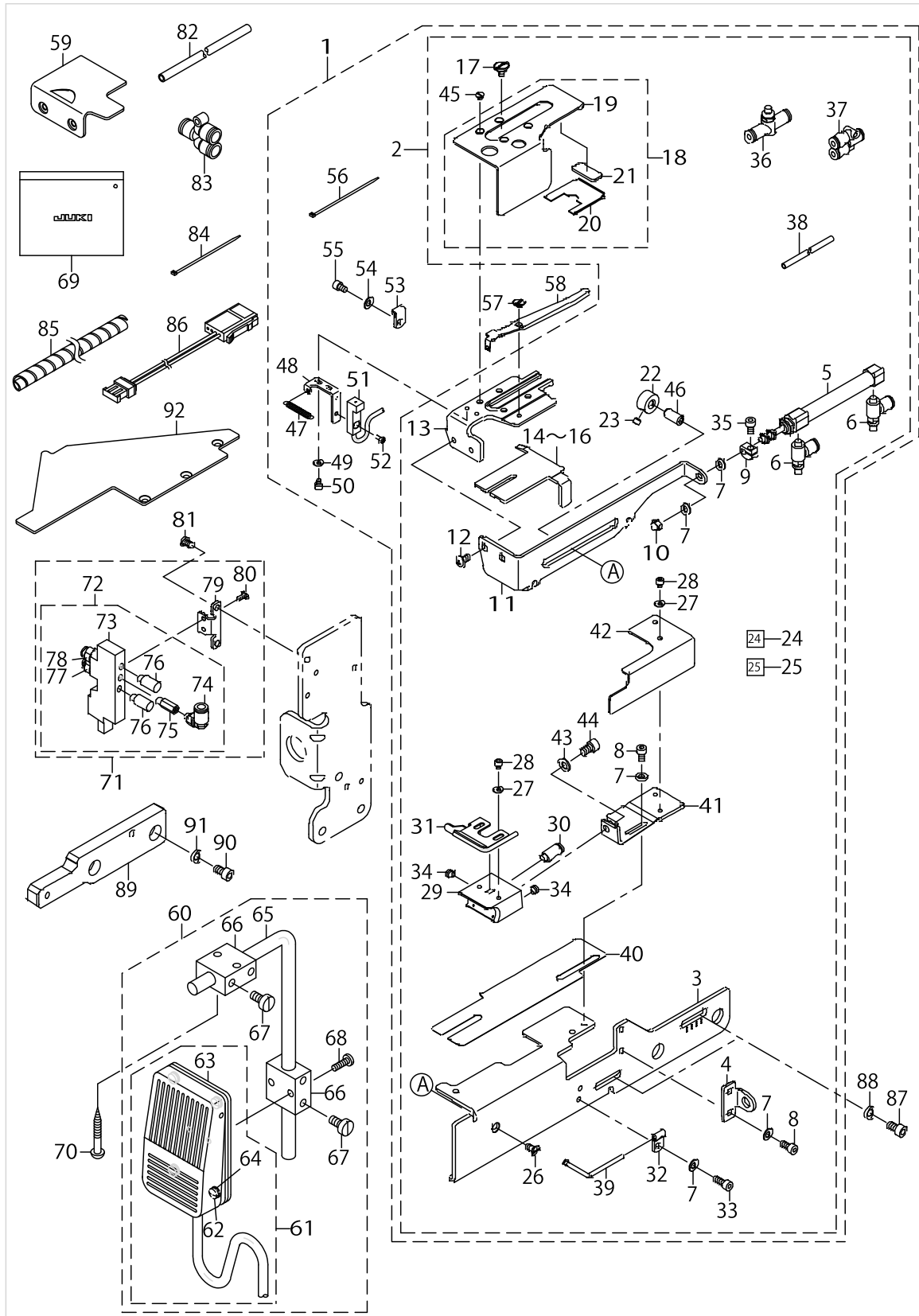
AH5/AH6

| No. | Supply Code | Parts No. | Replacement | Parts name | Remarks | Choice | Step | Level | Cons | Qty | Rep. QTY |
|-----|-------------|-------------|-------------|---------------------------|---------|--------|------|-------|------|-----|----------|
| 47 | | SM4860601SC | | SCREW M2.6 L=6 | FOR AH6 | | | * | | 1 | |
| 48 | | HX001500000 | | CLIP | FOR AH6 | | | * | | 1 | |
| 49 | | WP0430801SC | | WASHER 4.3X9X0.8 | FOR AH6 | | | * | | 1 | |
| 50 | | SM6040602TN | | BOLT | FOR AH6 | | | * | | 1 | |
| 51 | | EA9500B0100 | | CABLE BAND | FOR AH6 | | | * | | 2 | |
| 52 | | SD0500126TP | | SHOULDER SCREW D=5 H=1.2 | FOR AH6 | | | * | | 1 | |
| 53 | | 40044947 | | SENSOR_PLATE | FOR AH6 | | | * | | 1 | |
| 54 | | 40044957 | | STAND_ASSY | | | | | | 1 | |
| 55 | | 40044952 | | STAND_BASE | | | | * | | 1 | |
| 56 | | 40044953 | | STAND | | | | * | | 1 | |
| 57 | | SM1040800SP | | SCREW | | | | * | | 1 | |
| 58 | | SM6041002TN | | BOLT | | | | | | 3 | |
| 59 | | WP0430801SC | | WASHER 4.3X9X0.8 | | | | | | 3 | |
| 60 | | 40053156 | | SLIDE_COVER_ASSY_U10_AH | | | | | | 1 | |
| 61 | | 40040255 | | HEM_GUIDE | | | | | | 1 | |
| 62 | | WP0430801SC | | WASHER 4.3X9X0.8 | | | | | | 2 | |
| 63 | | SM4040855SP | | SCREW | | | | | | 2 | |
| 64 | | 40044954 | | FABRIC_GUIDE | | | | | | 1 | |
| 65 | | SM6850600SP | | SCREW | | | | | | 1 | |
| 66 | | SM6020350SP | | SCREW M2 L=2.5 | | | | | | 1 | |
| 67 | | 40052656 | | SWITCH C ASSY | | | | | | 1 | |
| 68 | | 40052655 | | SWITCH CABLE C ASSY | | | | * | | 1 | |
| 69 | | SS7110710SL | | SCREW 11/64-40 L=7.0 | | | | * | | 4 | |
| 70 | D | MAT80232T00 | | KNEE SWITCH SUPPORT PLATE | | | | * | | 1 | |
| 71 | | WP0480856SP | | WASHER 4.8X8.4X0.8 | | | | * | | 4 | |
| 72 | | MAT80231T00 | | DRIVING BAR, T002 | | | | * | | 1 | |
| 73 | | MAT80230T00 | | KNEE SWITCH SUPPORT BASE | | | | * | | 2 | |
| 74 | | SS6151220SP | | SCREW 15/64-28 L=11.5 | | | | * | | 4 | |
| 75 | | SS7111410TP | | SCREW 11/64-40L=14 | | | | * | | 2 | |
| 76 | | 22932800 | | ACCESSORIE BAG | | | | | | 1 | |
| 77 | R | SK3514000SC | SK3514001SE | WOOD SCREW D=5.1 L=40 | | | | | | 2 | 1.00 |
| 78 | | 40044959 | | SOLENOID_VALVE_ASSY | | | | | | 1 | |
| 79 | D | 40044956 | | SOLENOID_VALVE_ASSY | | | | * | | 1 | |
| 80 | | PV150204000 | | SOLENOID VALVE | | | | * | | 1 | |
| 81 | | PJ304040505 | | ELBOW | | | | * | | 1 | |
| 82 | | PJ010505001 | | JOINT | | | | * | | 1 | |
| 83 | | PX050501000 | | SILENCER | | | | * | | 2 | |
| 84 | | 18037309 | | WIRE MARK (24) | | | | * | | 1 | |
| 85 | | 18037408 | | WIRE MARK (25) | | | | * | | 1 | |
| 86 | | 40044946 | | SOLENOID_VALVE_BKT | | | | * | | 1 | |
| 87 | | SM6030600SP | | SCREW M3X0.5 L=6 | | | | * | | 2 | |
| 88 | | SM4040655SP | | SCREW M4 L=6 | | | | | | 2 | |
| 89 | | BT0600401EB | | TUBE | | | | | | 1 | |
| 90 | | PJ308060003 | | Y UNION | | | | | | 1 | |
| 91 | | EA9500B0100 | | CABLE BAND | | | | | | 3 | |
| 92 | | HX00314000A | | SPIRAL TUBE | | | | | | .5 | |



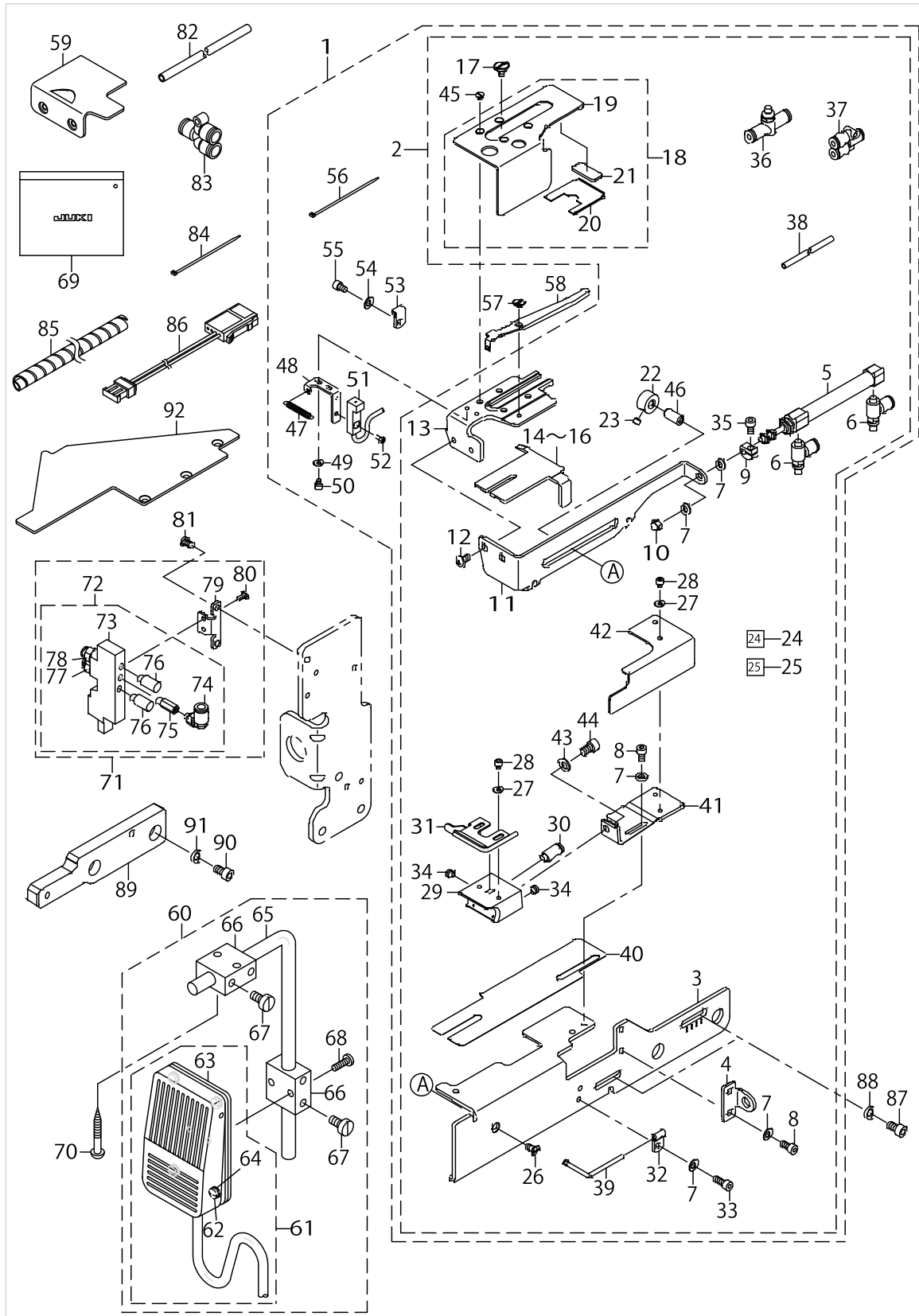
AH5/AH6

| No. | Supply Code | Parts No. | Replacement | Parts name | Remarks | Choice | Step | Level | Cons | Qty | Rep. QTY |
|-----|-------------|-------------|-------------|---------------------------|---------|--------|------|-------|------|-----|----------|
| 93 | | 40052572 | | SOLENOID VALVE CABLE ASM. | | | | | | 1 | |
| 94 | | HX001500000 | | CLIP | | | | | | 1 | |
| 95 | | SM6051002TN | | BOLT | | | | | | 2 | |
| 96 | | WP0531001SC | | WASHER | | | | | | 2 | |



AH7/AH8

| No. | Supply Code | Parts No. | Replacement | Parts name | Remarks | Choice | Step | Level | Cons | Qty | Rep. QTY |
|-----|-------------|-------------|-------------|------------------------------|----------------|--------|------|-------|------|------|----------|
| 1 | | 40052750 | | AH8_ASSY | FOR AH8 | | | | | 1 | |
| 2 | | 40052749 | | AH7_ASSY | | | | * | | 1 | |
| 3 | | 40044926 | | ATTACHMENT_BRACKET | | | | * | | 1 | |
| 4 | | 40044945 | | CYLINDER_BRACKET | | | | * | | 1 | |
| 5 | | PA1004510A0 | | AIR CYLINDER | | | | * | | 1 | |
| 6 | | PC010508000 | | SPEED CONTROLLER | | | | * | | 2 | |
| 7 | | WP0430801SC | | WASHER 4.3X9X0.8 | | | | * | | 7 | |
| 8 | | SM6040802TN | | SCREW | | | | * | | 4 | |
| 9 | | G5415254000 | | CYLINDER ADJUSTING COLLAR | | | | * | | 1 | |
| 10 | | NM7040032SC | | HEXAGONAL CAP NUT, TYPE 3 M4 | | | | * | | 1 | |
| 11 | | 40044928 | | CYLINDER_PLATE | | | | * | | 1 | |
| 12 | | SM0040801SC | | SCREW | | | | * | | 2 | |
| 13 | | 40044938 | | HOLDER_BRACKET | | | | * | | 1 | |
| 14 | | 40044942 | | EGRESS_PLATE_B (T=2.6) | | | | * | | 1 | |
| 15 | | 40044941 | | EGRESS_PLATE_A (T=1.6) | OPTIONAL PARTS | | | * | | 1 | |
| 16 | | 40044943 | | EGRESS_PLATE_C (T=3.6) | OPTIONAL PARTS | | | * | | 1 | |
| 17 | | SD0700226TP | | SHOULDER SCREW D=7 H=2.2 | | | | * | | 1 | |
| 18 | | 40044958 | | HOLDER_UPPER_PLATE_ASSY | | | | * | | 1 | |
| 19 | | 40044934 | | HOLDER_UPPER_PLATE | | | | * | | 1 | |
| 20 | | 40044935 | | HOLDER_LOWER_PLATE | | | | * | | 1 | |
| 21 | | 40044955 | | LOWER_PLATE_SPACER | | | | * | | 1 | |
| 22 | R | CS0700881TP | 40010434 | THRUST COLLAR D=7 W=8 | | | | * | | 1 | 1.00 |
| 23 | | SM8050412TP | | SCREW M5 L=4 | | | | * | | 2 | |
| 24 | | 18037309 | | WIRE MARK (24) | | | | * | | 1 | |
| 25 | | 18037408 | | WIRE MARK (25) | | | | * | | 1 | |
| 26 | | SM1040800SP | | SCREW | | | | * | | 1 | |
| 27 | | WP0320501SC | | WASHER M3 | | | | * | | 4 | |
| 28 | | SM6030402TN | | BOLT M3X4 | | | | * | | 4 | |
| 29 | | 40044929 | | HEM_CAP | | | | * | | 1 | |
| 30 | | PJ210004200 | | HALF UNION | | | | * | | 1 | |
| 31 | | 40044930 | | WORK_GUIDE_ASSY | | | | * | | 1 | |
| 32 | | HX001500000 | | CLIP | | | | * | | 1 | |
| 33 | | SM6040802TN | | SCREW | | | | * | | 1 | |
| 34 | | SM8050412TP | | SCREW M5 L=4 | | | | * | | 2 | |
| 35 | | SM6040802TN | | SCREW | | | | * | | 1 | |
| 36 | | PC012406000 | | SPEED CONTROLLER | | | | * | | 2 | |
| 37 | | PJ308040006 | | UNION | | | | * | | 3 | |
| 38 | | BT0400251EB | | URETHANE HOSE, BLACK | | | | * | | 2.58 | |
| 39 | | 40044940 | | AIR_NOZZLE | | | | * | | 1 | |
| 40 | | 40044927 | | CLOTH_PLATE | | | | * | | 1 | |
| 41 | | 40044939 | | HEM_CAP_BRACKET | | | | * | | 1 | |
| 42 | | 40044924 | | FRONT_COVER | | | | * | | 1 | |
| 43 | | WP0531001SC | | WASHER | | | | * | | 1 | |
| 44 | | SM6050802TN | | BOLT | | | | * | | 1 | |
| 45 | | SM1030400SP | | SCREW M3 L=4 | | | | * | | 4 | |
| 46 | | 40044944 | | STUD | | | | * | | 1 | |



AH7/AH8

| No. | Supply Code | Parts No. | Replacement | Parts name | Remarks | Choice | Step | Level | Cons | Qty | Rep. QTY |
|-----|-------------|-------------|-------------|---------------------------|---------|--------|------|-------|------|-----|----------|
| 47 | | 40044949 | | SENSOR_SPRING | FOR AH8 | | | * | | 1 | |
| 48 | | 40044948 | | SENSOR_BRACKET | FOR AH8 | | | * | | 1 | |
| 49 | | WP0320501SC | | WASHER M3 | FOR AH8 | | | * | | 2 | |
| 50 | | SM6030402TN | | BOLT M3X4 | FOR AH8 | | | * | | 2 | |
| 51 | | 40052573 | | CLOTH SENSOR CORD ASM. | FOR AH8 | | | * | | 1 | |
| 52 | | SM4860601SC | | SCREW M2.6 L=6 | FOR AH8 | | | * | | 1 | |
| 53 | | HX001500000 | | CLIP | FOR AH8 | | | * | | 1 | |
| 54 | | WP0430801SC | | WASHER 4.3X9X0.8 | FOR AH8 | | | * | | 1 | |
| 55 | | SM6040602TN | | BOLT | FOR AH8 | | | * | | 1 | |
| 56 | | EA9500B0100 | | CABLE BAND | FOR AH8 | | | * | | 2 | |
| 57 | | SD0500126TP | | SHOULDER SCREW D=5 H=1.2 | FOR AH8 | | | * | | 1 | |
| 58 | | 40044947 | | SENSOR_PLATE | FOR AH8 | | | * | | 1 | |
| 59 | | 40044933 | | SIDE_COVER | | | | | | 1 | |
| 60 | | 40052656 | | SWITCH C ASSY | | | | | | 1 | |
| 61 | | 40052655 | | SWITCH CABLE C ASSY | | | | * | | 1 | |
| 62 | | SS7110710SL | | SCREW 11/64-40 L=7.0 | | | | * | | 4 | |
| 63 | D | MAT80232T00 | | KNEE SWITCH SUPPORT PLATE | | | | * | | 1 | |
| 64 | | WP0480856SP | | WASHER 4.8X8.4X0.8 | | | | * | | 4 | |
| 65 | | MAT80231T00 | | DRIVING BAR, T002 | | | | * | | 1 | |
| 66 | | MAT80230T00 | | KNEE SWITCH SUPPORT BASE | | | | * | | 2 | |
| 67 | | SS6151220SP | | SCREW 15/64-28 L=11.5 | | | | * | | 4 | |
| 68 | | SS7111410TP | | SCREW11/64-40L=14 | | | | * | | 2 | |
| 69 | | 22932800 | | ACCESSORIE BAG | | | | | | 1 | |
| 70 | R | SK3514000SC | SK3514001SE | WOOD SCREW D=5.1 L=40 | | | | | | 2 | 1.00 |
| 71 | | 40044959 | | SOLENOID_VALVE_ASSY | | | | | | 1 | |
| 72 | D | 40044956 | | SOLENOID_VALVE_ASSY | | | | * | | 1 | |
| 73 | | PV150204000 | | SOLENOID VALVE | | | | * | | 1 | |
| 74 | | PJ304040505 | | ELBOW | | | | * | | 1 | |
| 75 | | PJ010505001 | | JOINT | | | | * | | 1 | |
| 76 | | PX050501000 | | SILENCER | | | | * | | 2 | |
| 77 | | 18037309 | | WIRE MARK (24) | | | | * | | 1 | |
| 78 | | 18037408 | | WIRE MARK (25) | | | | * | | 1 | |
| 79 | | 40044946 | | SOLENOID_VALVE_BKT | | | | * | | 1 | |
| 80 | | SM6030600SP | | SCREW M3X0.5 L=6 | | | | * | | 2 | |
| 81 | | SM4040655SP | | SCREW M4 L=6 | | | | | | 2 | |
| 82 | | BT0600401EB | | TUBE | | | | | | 1 | |
| 83 | | PJ308060003 | | Y UNION | | | | | | 1 | |
| 84 | | EA9500B0100 | | CABLE BAND | | | | | | 3 | |
| 85 | | HX00314000A | | SPIRAL TUBE | | | | | | .5 | |
| 86 | | 40052572 | | SOLENOID VALVE CABLE ASM. | | | | | | 1 | |
| 87 | | SM6051002TN | | BOLT | | | | | | 2 | |
| 88 | | WP0531001SC | | WASHER | | | | | | 2 | |
| 89 | | 40044925 | | ATTACHMENT_BASE | | | | | | 1 | |
| 90 | | SM6051002TN | | BOLT | | | | | | 2 | |
| 91 | | WP0531001SC | | WASHER | | | | | | 2 | |
| 92 | | 40044922 | | CLOTH_PLATE_FRONT | | | | | | 1 | |

HOW TO MAKE USE OF THIS PARTS LIST

- 1.As to "#01" and "#02" refer to the "Note" given at the bottom of the respective pages.
- 2.Codes on the "Qty" column
 - Each numeral indicates the number of parts required.
 - "0.1" and "2.5" indicate the length (in meters) of the respective parts.
- 3.Parentheses mean that the corresponding part is a subpart that constructs an assembly part.
- 4.Dotted lines on the Figures indicate assembly parts.

1. リストページの# 0 1、# 0 2の印は、ページ下の"注記"の説明を参照下さい。
2. 数量欄の数字は、個数を表し、0. 1、2. 5等の数値は、長さ（単位メートル）を表します。
3. 数量欄の（ ）は、組部品を構成している子部品であることを意味します。
4. イラストページの-----枠は、組構成であることを意味します。

ALL PARTS NOT MENTIONED IN THIS PARTS LIST ARE SAME AS THOSE OF
MODEL MF-7800 OTHER PARTS LIST RELATED TO THIS MODEL.
*MF-7800 SERIES(NO.1379 PART NO.13450002)

このパーツリスト記載以外の部品はMF-7800と共通です。
この機種に関連するパーツリストとして下記のパーツリストがあります。
*MF-7800シリーズ（NO. 1379 品番13450002）

NUMERICAL INDEX OF PARTS

| PART NO | PAGE | REF NO. | PART NO | PAGE | REF NO. | PART NO | PAGE | REF NO. |
|----------|------|---------|-------------|------|---------|-------------|------|---------|
| 18037309 | 2 | 84 | 40044947 | 10 | 58 | HX00314000A | 4 | 92 |
| 18037309 | 4 | 84 | 40044948 | 2 | 43 | HX00314000A | 10 | 85 |
| 18037309 | 8 | 77 | 40044948 | 10 | 48 | MAT80230T00 | 4 | 73 |
| 18037309 | 10 | 77 | 40044949 | 2 | 42 | MAT80230T00 | 10 | 66 |
| 18037408 | 2 | 85 | 40044949 | 10 | 47 | MAT80231T00 | 4 | 72 |
| 18037408 | 4 | 85 | 40044951 | 2 | 3 | MAT80231T00 | 10 | 65 |
| 18037408 | 8 | 78 | 40044952 | 4 | 55 | MAT80232T00 | 4 | 70 |
| 18037408 | 10 | 78 | 40044953 | 4 | 56 | MAT80232T00 | 10 | 63 |
| 22932800 | 4 | 76 | 40044954 | 4 | 64 | NM7040032SC | 2 | 10 |
| 22932800 | 10 | 69 | 40044955 | 2 | 21 | NM7040032SC | 8 | 10 |
| 40040255 | 4 | 61 | 40044955 | 8 | 21 | PA1004510A0 | 2 | 5 |
| 40044922 | 10 | 92 | 40044956 | 4 | 79 | PA1004510A0 | 8 | 5 |
| 40044924 | 8 | 42 | 40044956 | 10 | 72 | PC010508000 | 2 | 6 |
| 40044925 | 10 | 89 | 40044957 | 4 | 54 | PC010508000 | 8 | 6 |
| 40044926 | 8 | 3 | 40044958 | 2 | 18 | PC012406000 | 2 | 36 |
| 40044927 | 8 | 40 | 40044958 | 8 | 18 | PC012406000 | 8 | 36 |
| 40044928 | 2 | 11 | 40044959 | 4 | 78 | PJ010505001 | 4 | 82 |
| 40044928 | 8 | 11 | 40044959 | 10 | 71 | PJ010505001 | 10 | 75 |
| 40044929 | 2 | 29 | 40052572 | 6 | 93 | PJ210004200 | 2 | 32 |
| 40044929 | 8 | 29 | 40052572 | 10 | 86 | PJ210004200 | 8 | 30 |
| 40044930 | 2 | 33 | 40052573 | 2 | 46 | PJ304040505 | 4 | 81 |
| 40044930 | 8 | 31 | 40052573 | 10 | 51 | PJ304040505 | 10 | 74 |
| 40044933 | 10 | 59 | 40052655 | 4 | 68 | PJ308040006 | 2 | 37 |
| 40044934 | 2 | 19 | 40052655 | 10 | 61 | PJ308040006 | 8 | 37 |
| 40044934 | 8 | 19 | 40052656 | 4 | 67 | PJ308060003 | 4 | 90 |
| 40044935 | 2 | 20 | 40052656 | 10 | 60 | PJ308060003 | 10 | 83 |
| 40044935 | 8 | 20 | 40052747 | 2 | 2 | PS0300062KH | 2 | 30 |
| 40044938 | 2 | 13 | 40052748 | 2 | 1 | PV150204000 | 4 | 80 |
| 40044938 | 8 | 13 | 40052749 | 8 | 2 | PV150204000 | 10 | 73 |
| 40044939 | 8 | 41 | 40052750 | 8 | 1 | PX050501000 | 4 | 83 |
| 40044940 | 2 | 39 | 40053156 | 4 | 60 | PX050501000 | 10 | 76 |
| 40044940 | 8 | 39 | BT0400251EB | 2 | 38 | SD0500126TP | 4 | 52 |
| 40044941 | 2 | 15 | BT0400251EB | 8 | 38 | SD0500126TP | 10 | 57 |
| 40044941 | 8 | 15 | BT0600401EB | 4 | 89 | SD0700226TP | 2 | 17 |
| 40044942 | 2 | 14 | BT0600401EB | 10 | 82 | SD0700226TP | 8 | 17 |
| 40044942 | 8 | 14 | CS0700881TP | 2 | 22 | SK3514000SC | 4 | 77 |
| 40044943 | 2 | 16 | CS0700881TP | 8 | 22 | SK3514000SC | 10 | 70 |
| 40044943 | 8 | 16 | EA9500B0100 | 4 | 91 | SM0040801SC | 2 | 12 |
| 40044944 | 2 | 41 | EA9500B0100 | 10 | 84 | SM0040801SC | 8 | 12 |
| 40044944 | 8 | 46 | G5415254000 | 2 | 9 | SM1030400SP | 2 | 40 |
| 40044945 | 2 | 4 | G5415254000 | 8 | 9 | SM1030400SP | 8 | 45 |
| 40044945 | 8 | 4 | HX001500000 | 4 | 94 | SM1040800SP | 2 | 57 |
| 40044946 | 4 | 86 | HX001500000 | 6 | 94 | SM1040800SP | 4 | 57 |
| 40044946 | 10 | 79 | HX001500000 | 8 | 53 | SM1040800SP | 8 | 26 |
| 40044947 | 4 | 53 | HX001500000 | 10 | 53 | SM4040655SP | 4 | 88 |

NUMERICAL INDEX OF PARTS

| PART NO | PAGE | REF NO. |
|-------------|------|---------|
| SM4040655SP | 10 | 81 |
| SM4040855SP | 4 | 63 |
| SM4860601SC | 4 | 47 |
| SM4860601SC | 10 | 52 |
| SM6020350SP | 4 | 66 |
| SM6030402TN | 2 | 45 |
| SM6030402TN | 8 | 50 |
| SM6030402TN | 10 | 50 |
| SM6030600SP | 4 | 87 |
| SM6030600SP | 10 | 80 |
| SM6032002TN | 2 | 31 |
| SM6040602TN | 4 | 50 |
| SM6040602TN | 10 | 55 |
| SM6040802TN | 2 | 35 |
| SM6040802TN | 8 | 35 |
| SM6041002TN | 4 | 58 |
| SM6050802TN | 8 | 44 |
| SM6051002TN | 6 | 95 |
| SM6051002TN | 10 | 90 |
| SM6850600SP | 4 | 65 |
| SM8050412TP | 2 | 34 |
| SM8050412TP | 8 | 34 |
| SS6151220SP | 4 | 74 |
| SS6151220SP | 10 | 67 |
| SS7110710SL | 4 | 69 |
| SS7110710SL | 10 | 62 |
| SS7111410TP | 4 | 75 |
| SS7111410TP | 10 | 68 |
| WP0320501SC | 2 | 44 |
| WP0320501SC | 8 | 49 |
| WP0320501SC | 10 | 49 |
| WP0430801SC | 2 | 62 |
| WP0430801SC | 4 | 62 |
| WP0430801SC | 8 | 54 |
| WP0430801SC | 10 | 54 |
| WP0480856SP | 4 | 71 |
| WP0480856SP | 10 | 64 |
| WP0531001SC | 6 | 96 |
| WP0531001SC | 8 | 91 |
| WP0531001SC | 10 | 91 |