

MODEL : IP-110

List No : 1469-01

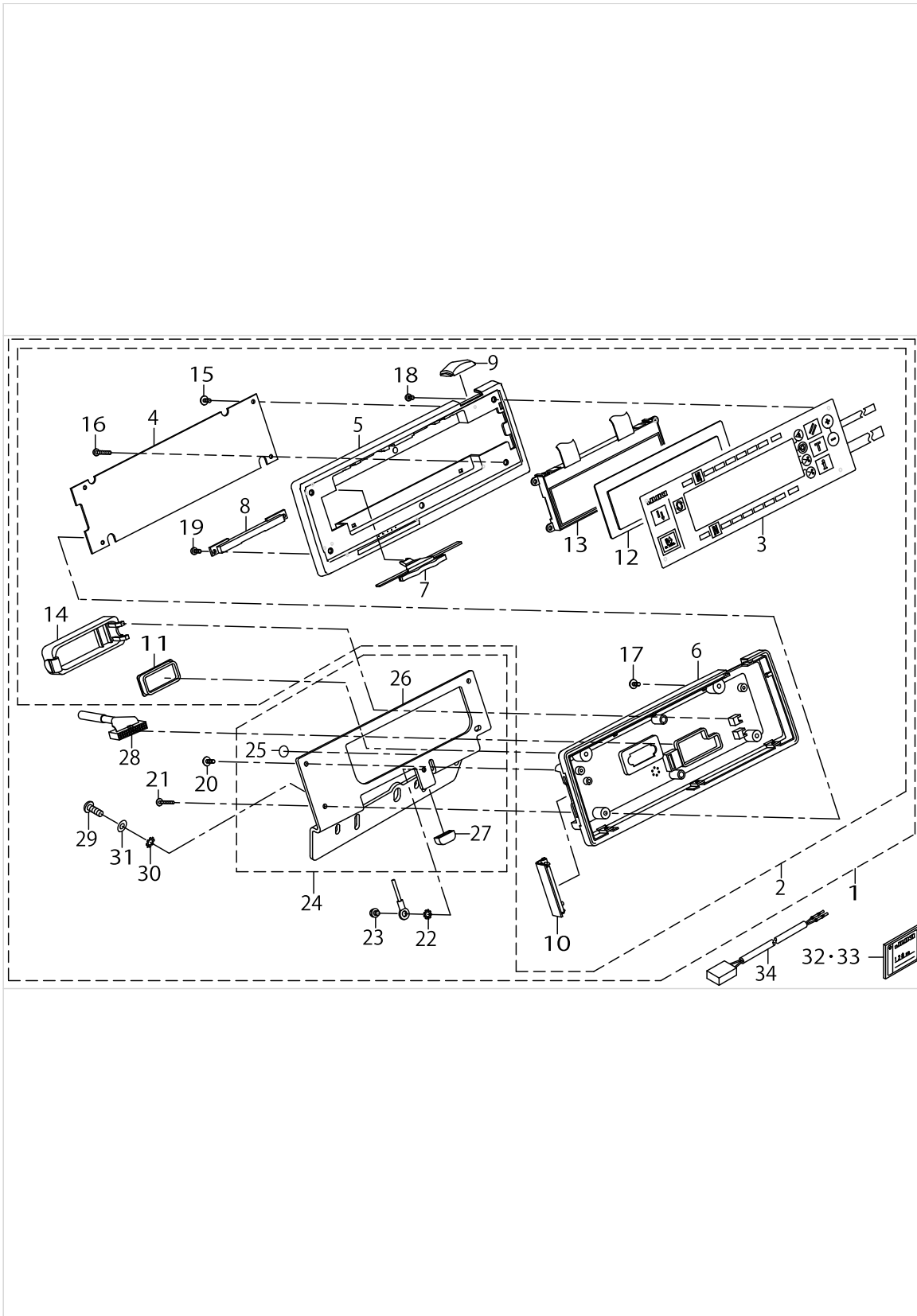
PARTS LIST

Published:05/12/2017

CONTENTS

IP-110 TYPE-B COMPLETE	1
IP-110 TYPE-C COMPLETE	3
HOW TO MAKE USE OF THIS PARTS LIST	5

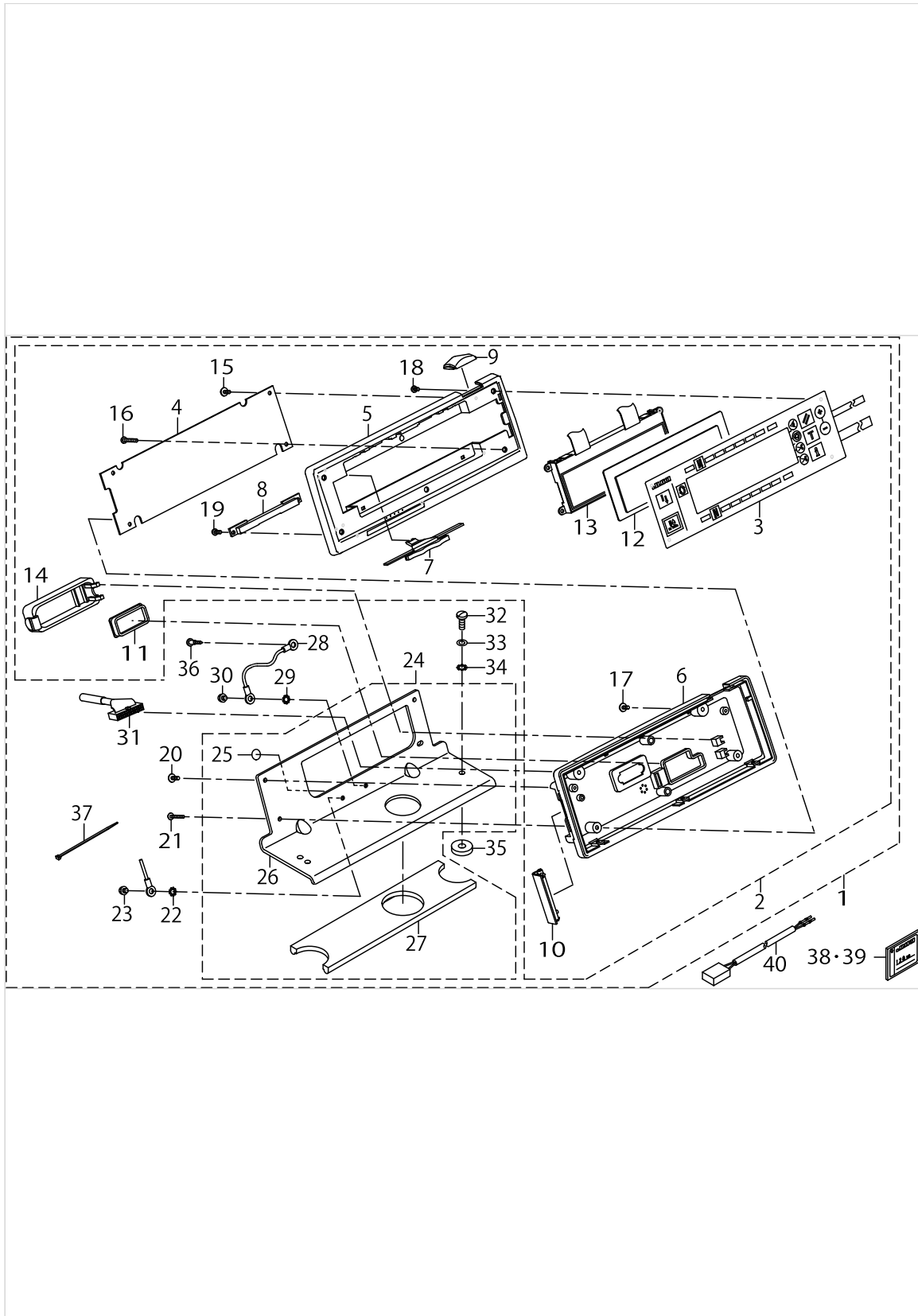
IP-110 TYPE-B COMPLETE



IP-110 TYPE-B COMPLETE

No.	Supply Code	Parts No.	Replacement	Parts name	Remarks	Choice	Step	Level	Cons	Qty	Rep. QTY
1		40054941		IP-110 TYPE-B COMPLETE						1	
2		40055183		IP-110 TYPE-B ASSY				*		1	
3		40055194		PANEL SHEET ASSY				*		1	
4		40046138		PANEL PCB ASSY				*		1	
5	R	40055002	40105708	FRONT PANEL				*		1	1.00
6		40055005		BACK PANEL				*		1	
7		40005844		SPEED ADJUSTING KNOB				*		1	
8		40005845		SPEED KNOB SUPPORT				*		1	
9	D	40005846		INDICATION WINDOW				*		1	
10		40055007		MEDIA COVER				*		1	
11		40005848		D-SUB 9P COVER				*		1	
12		40005847		LCD COVER				*		1	
13		KG000000140		LCD				*		1	
14		M1003371000		CORD EXIT COVER				*		1	
15	D	SV4030802SN		TAPPING SCREW W- ITH FLANGE M3X8				*		3	
16		SM4032001SC		SCREW M3X0.5 L=20				*		1	
17	D	SV4030802SN		TAPPING SCREW W- ITH FLANGE M3X8				*		2	
18		SM4030601SC		SCREW M3 X 6				*		3	
19		ST4030851SN		SCREW				*		2	
20		SV4031001SN		TAPPING SCREW				*		2	
21		SV4032502SN		TAPPING SCREW				*		2	
22		WT0430002KE		TOOTHED WASHER				*		1	
23		SL4040691SC		SCREW M4 L=6				*		1	
24		40008143		PANEL BRACKET B ASSY				*		1	
25	R	10004109	22901805	GROUND MARK				*		1	1.00
26	R	40008142	40008143	PANEL BRACKET B				*		1	1.00
27		M1010110000		BRACKET RUBBER CAP				*		1	
28		40008594		PANEL CABLE CASSY				*		1	
29		SS4121415SP		SCREW 3/16-28 L=14				*		2	
30		WT0530002KS		TOOTHED WASHER D=5.3				*		2	
31		WP0501016SD		WASHER 5X10.5X1				*		2	
32		40055294		COMPACTFLASH(TM) TYPE B	OPTIONAL PARTS					1	
33		40000100		COMPACTFLASH(TM)	OPTIONAL PARTS					1	
34		40008168		OP SWITCH CABLE A ASSY	OPTIONAL PARTS					1	

IP-110 TYPE-C COMPLETE



IP-110 TYPE-C COMPLETE

No.	Supply Code	Parts No.	Replacement	Parts name	Remarks	Choice	Step	Level	Cons	Qty	Rep. QTY
1	R	40054942	40095552	IP-110 TYPE-C COMPLETE		A	China			1	1.00
1	R	40054942	40095553	IP-110 TYPE-C COMPLETE		B	中国以外/- ExceptChina			1	1.00
2		40055184		IP-110 TYPE-C ASSY				*		1	
3		40055194		PANEL SHEET ASSY				*		1	
4		40046138		PANEL PCB ASSY				*		1	
5	R	40055002	40105708	FRONT PANEL				*		1	1.00
6		40055005		BACK PANEL				*		1	
7		40005844		SPEED ADJUSTING KNOB				*		1	
8		40005845		SPEED KNOB SUPPORT				*		1	
9	D	40005846		INDICATION WINDOW				*		1	
10		40055007		MEDIA COVER				*		1	
11		40005848		D-SUB 9P COVER				*		1	
12		40005847		LCD COVER				*		1	
13		KG000000140		LCD				*		1	
14		M1003371000		CORD EXIT COVER				*		1	
15	D	SV4030802SN		TAPPING SCREW W- ITH FLANGE M3X8				*		3	
16		SM4032001SC		SCREW M3X0.5 L=20				*		1	
17	D	SV4030802SN		TAPPING SCREW W- ITH FLANGE M3X8				*		2	
18		SM4030601SC		SCREW M3 X 6				*		3	
19		ST4030851SN		SCREW				*		2	
20		SV4031001SN		TAPPING SCREW				*		2	
21		SV4032502SN		TAPPING SCREW				*		2	
22		WT0430002KE		TOOTHED WASHER				*		1	
23		SL4040691SC		SCREW M4 L=6				*		1	
24		40010896		PANEL BRACKET C ASSY				*		1	
25	R	10004109	22901805	GROUND MARK				*		1	1.00
26		40009854		PANEL BRACKET C				*		1	
27		40011764		BRACKET C RUBBER CUSHION				*		1	
28		40011929		FG CABLE ASSY				*		1	
29		WT0430002KE		TOOTHED WASHER				*		1	
30		SL4040691SC		SCREW M4 L=6				*		1	
31		40008594		PANELCABLECASSY				*		1	
32	D	SS7121410SN		SCREW 3/16-24 L=14				*		2	
33		WP0531001SC		WASHER				*		2	
34		WT0530002KS		TOOTHED WASHER D=5.3				*		2	
35		WP0704516SP		WASHER 7X20X4.5				*		2	
36		SK3382001SE		SCREW D=3.8 L=20				*		1	
37		EA9500B0100		CABLE BAND				*		3	
38		40055294		COMPACTFLASH(TM) TYPE B	OPTIONAL PARTS					1	
39		40000100		COMPACTFLASH(TM)	OPTIONAL PARTS					1	
40		40008168		OP SWITCH CABLE A ASSY	OPTIONAL PARTS					1	

HOW TO MAKE USE OF THIS PARTS LIST

- 1.As to "#01" and "#02" refer to the "Note" given at the bottom of the respective pages.
- 2.Codes on the "Qty" column
 - Each numeral indicates the number of parts required.
 - "0.1" and "2.5" indicate the length (in meters) of the respective parts.
- 3.Parentheses mean that the corresponding part is a subpart that constructs an assembly part.
- 4.Dotted lines on the Figures indicate assembly parts.

1. リストページの# 0 1、# 0 2の印は、ページ下の"注記"の説明を参照下さい。
2. 数量欄の数字は、個数を表し、0. 1、2. 5等の数値は、長さ（単位メートル）を表します。
3. 数量欄の（ ）は、組部品を構成している子部品であることを意味します。
4. イラストページの-----枠は、組構成であることを意味します。

※"コンパクトフラッシュ (TM)"は米国サンディスク社の登録商標です。

*"CompactFlash(TM)"is the registered trademark of SanDisk Corporation,U.S.A

NUMERICAL INDEX OF PARTS

PART NO	PAGE	REF NO.	PART NO	PAGE	REF NO.
10004109	2	25	M1010110000	2	27
10004109	4	25	SK3382001SE	4	36
40000100	2	32·33	SL4040691SC	2	23
40000100	4	38·39	SL4040691SC	4	30
40005844	2	7	SM4030601SC	2	18
40005844	4	7	SM4030601SC	4	18
40005845	2	8	SM4032001SC	2	16
40005845	4	8	SM4032001SC	4	16
40005846	2	9	SS4121415SP	2	29
40005846	4	9	SS7121410SN	4	32
40005847	2	12	ST4030851SN	2	19
40005847	4	12	ST4030851SN	4	19
40005848	2	11	SV4030802SN	2	17
40005848	4	11	SV4030802SN	4	17
40008142	2	26	SV4031001SN	2	20
40008143	2	24	SV4031001SN	4	20
40008168	2	34	SV4032502SN	2	21
40008168	4	40	SV4032502SN	4	21
40008594	2	28	WP0501016SD	2	31
40008594	4	31	WP0531001SC	4	33
40009854	4	26	WP0704516SP	4	35
40010896	4	24	WT0430002KE	2	22
40011764	4	27	WT0430002KE	4	29
40011929	4	28	WT0530002KS	2	30
40046138	2	4	WT0530002KS	4	34
40046138	4	4			
40054941	2	1			
40054942	4	1			
40055002	2	5			
40055002	4	5			
40055005	2	6			
40055005	4	6			
40055007	2	10			
40055007	4	10			
40055183	2	2			
40055184	4	2			
40055194	2	3			
40055194	4	3			
40055294	2	32·33			
40055294	4	38·39			
EA9500B0100	4	37			
KG000000140	2	13			
KG000000140	4	13			
M1003371000	2	14			
M1003371000	4	14			