

MODEL : DDL-9000A

List No : 1457-02

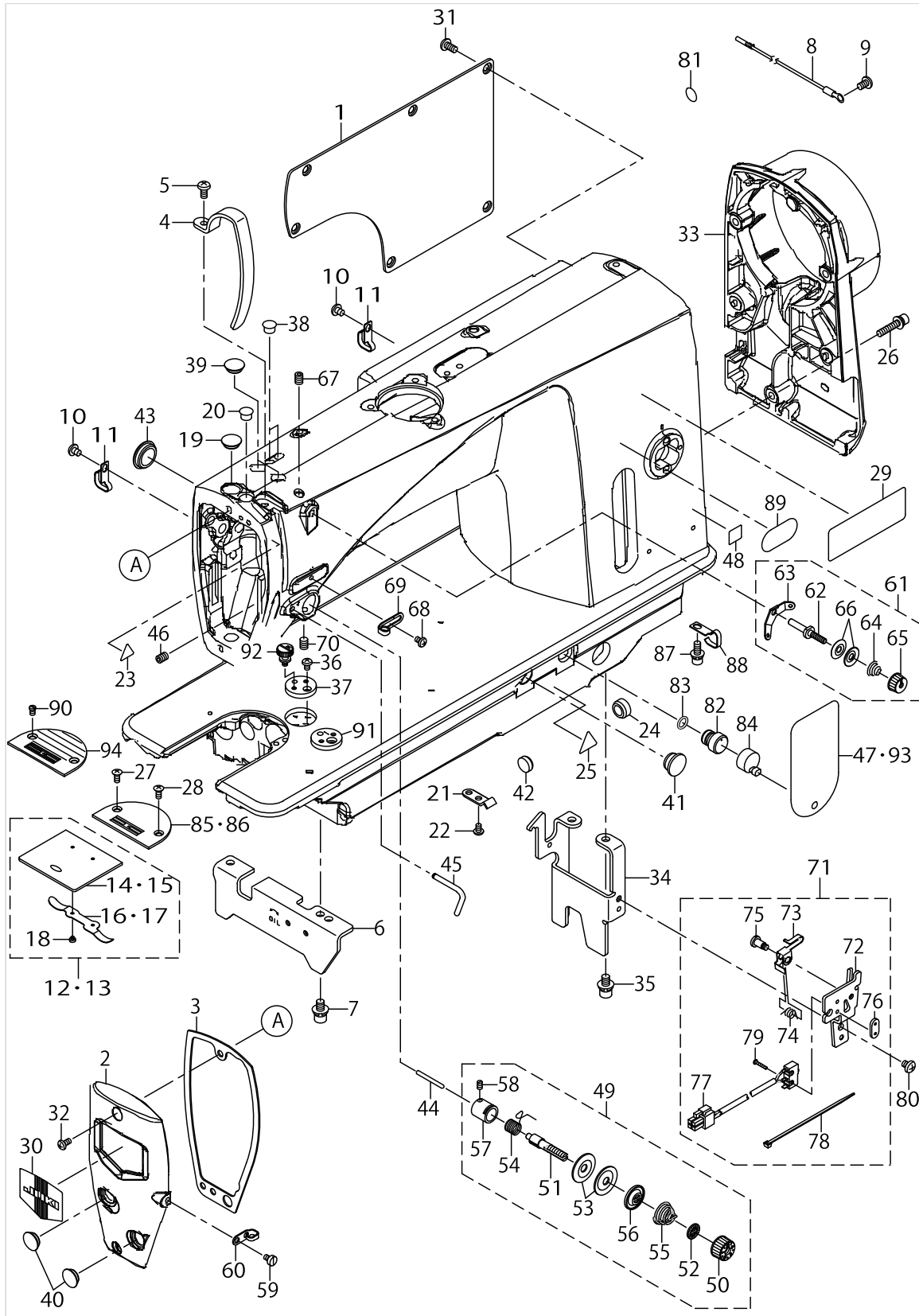
PARTS LIST

Published:05/12/2017

CONTENTS

MACHINE FRAME & MISCELLANEOUS COVER COMPONENTS	1
BOBBIN WINDER COMPONENTS.....	7
MAIN SHAFT & NEEDLE BAR COMPONENTS.....	9
HAND LIFTER & TENSION RELEASE COMPONENTS.....	13
FEED ADJUST MECHANISM COMPONENTS	17
HORIZONTAL FEED, VERTICAL FEED & HOOK DRIVING SHAFT COMPONENTS.....	21
THREAD TRIMMER COMPONENTS	25
OIL LUBRICATION COMPONENTS.....	29
AUTOMATIC REVERSE FEED COMPONENTS.....	33
WIPER COMPONENTS (FOR DDL-9000A-**-WB)	35
THREAD STAND COMPONENTS.....	37
UNDER COVER COMPONENTS.....	39
ACCESSORIE PART COMPONENTS.....	41
EXCLUSIVE PART FOR DDL-9000A-D*,DDL-9000A-M*.....	43
EXCLUSIVE PART FOR DDL-9000A-*A.....	45
EXCLUSIVE PART FOR DDL-9000A-SH-WB,0B	47
TABLE & STAND COMPONENTS.....	51
SPECIAL ORDER PART	53
LIST FOR INFORMATION OF CHANGE (1).....	55
LIST FOR INFORMATION OF CHANGE (2).....	56
HOW TO MAKE USE OF THIS PARTS LIST	57

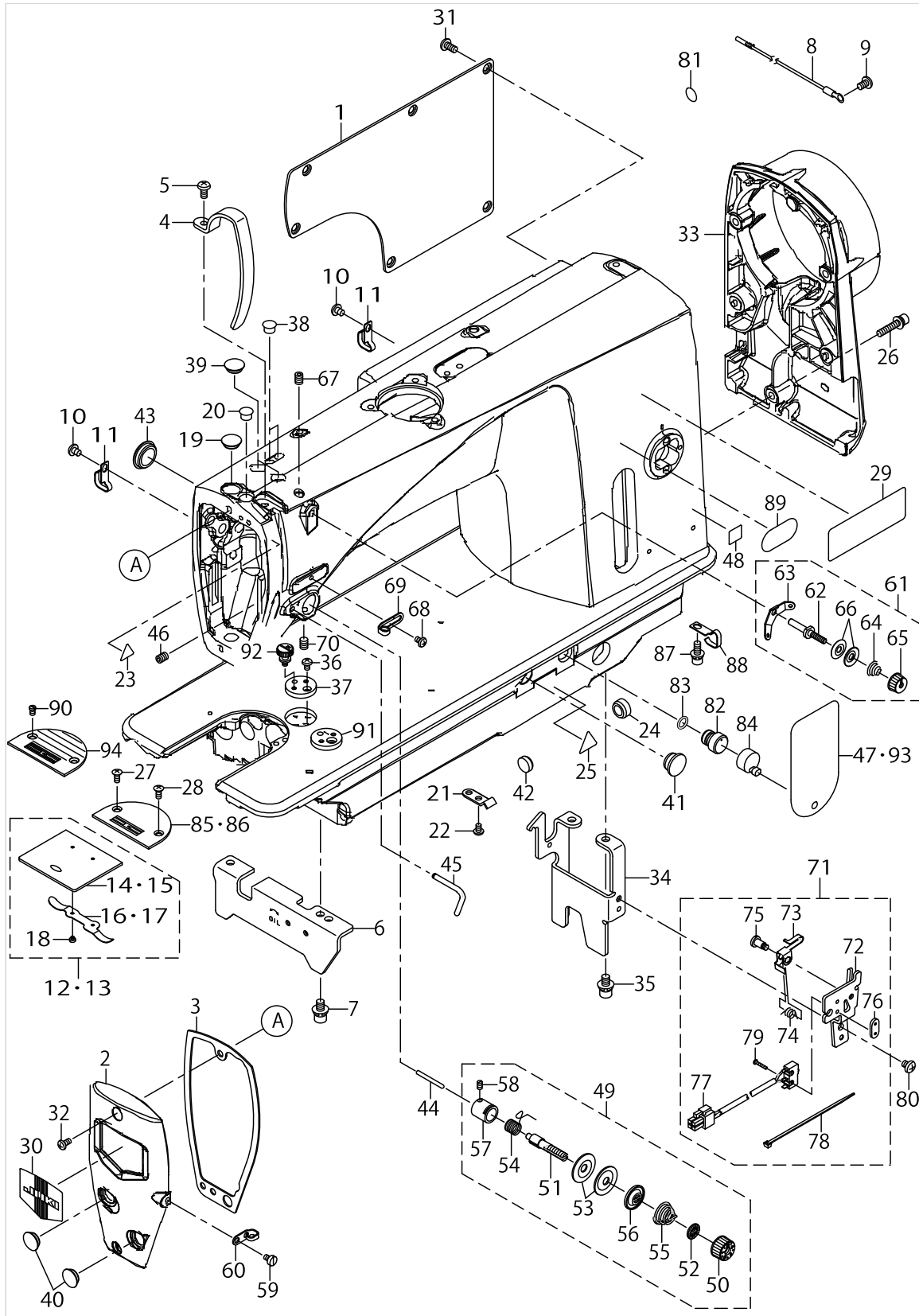
MACHINE FRAME & MISCELLANEOUS COVER COMPONENTS



MACHINE FRAME & MISCELLANEOUS COVER COMPONENTS

No.	Supply Code	Parts No.	Replacement	Parts name	Remarks	Choice	Step	Level	Cons	Qty	Rep. QTY
1		40037158		SIDE PLATE						1	
2		40041161		FACE PLATE						1	
3		40052819		FACE PLATE PACKING						1	
4		23600505		THREAD TAKE-UP LEVER COVER						1	
5		SM4051055SP		SCREW						1	
6		23600703		BED STUD A						1	
7		SL6061292TN		SCREW						2	
8		40061562		EARTH CORD ASM.						1	
9		SM4050855SP		SCREW						1	
10		SM4051055SP		SCREW						2	
11		40022407		CORD HOLDER						2	
12		22901250		SLIDE PLATE ASM.	FOR JE,KO					1	
13		22902753		SLIDE PLATE ASM.	FOR ST,SH					1	
14	R	22901201	22901250	SLIDE PLATE				*		1	1.00
15		22902704		SLIDE PLATE				*		1	
16		22901300		SLIDE PLATE SPRING				*		1	
17		22901300		SLIDE PLATE SPRING				*		1	
18		SS6060210SP		SCREW 3/32-56 L=1.9				*		2	
19		TA1250406R0		RUBBER PLUG D=12.5 L=4						1	
20		TA0850604R0		RUBBER PLUG						1	
21		22944508		WIRE PRESSER A						1	
22		SM4040655SP		SCREW M4 L=6						1	
23		CM300200001		ATTENTION SEAL						1	
24		TA1470702R0		RUBBER PLUG						1	
25		CM300200003		ATTENTION LABEL						1	
26		SL6052592TN		BOLT						3	
27		SM2040955TP		SCREW M4 L=8.5				☆		1	
28		SM2040955TP		SCREW M4 L=8.5				☆		1	
29		CM301300001		SAFETY LABEL						1	
30		22902506		FACE PLATE						1	
31		SM4051055SP		SCREW						6	
32		SM4050855SP		SCREW						2	
33		40041473		PULLEY_COVER						1	
34		40027581		BED STUD B						1	
35		SL6061292TN		SCREW						2	
36		SM4040655SP		SCREW M4 L=6						1	
37		40035589		RULER PLATE						1	
38		TA0850604R0		RUBBER PLUG						2	
39		TA1250406R0		RUBBER PLUG D=12.5 L=4						2	
40		TA1250406R0		RUBBER PLUG D=12.5 L=4						2	
41		TA1470704R0		RUBBER PLUG						1	
42		TA1270502R0		RUBBER PLUG						2	
43		TA1250406R0		RUBBER PLUG D=12.5 L=4						1	
44		B3118552F00		TENSION RELEASING PIN						1	
45		40052933		ARMTHREADGUIDE C						1	
46		SM80608A2TP		L=8SCREW M6 L=8						1	

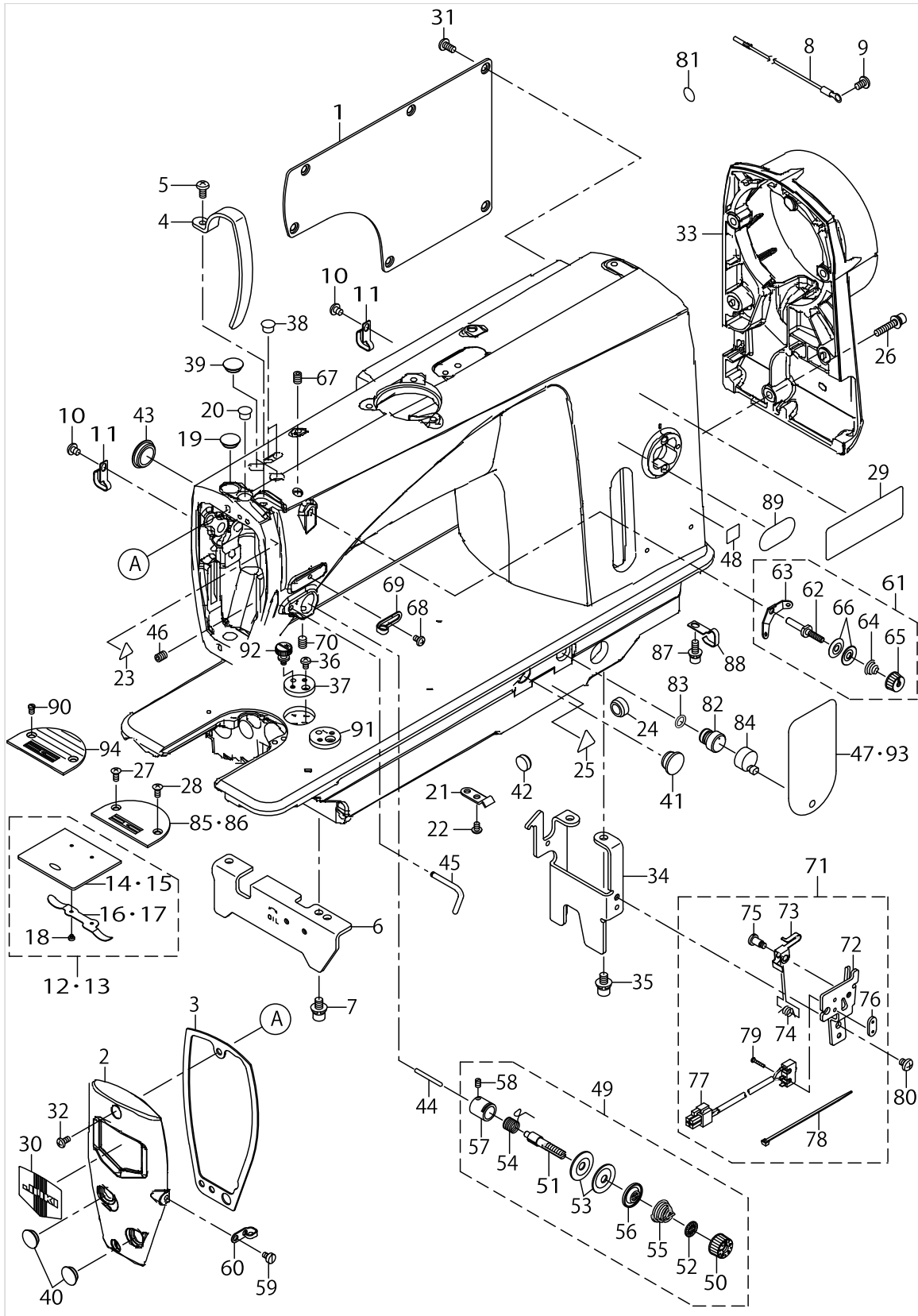
MACHINE FRAME & MISCELLANEOUS COVER COMPONENTS



MACHINE FRAME & MISCELLANEOUS COVER COMPONENTS

No.	Supply Code	Parts No.	Replacement	Parts name	Remarks	Choice	Step	Level	Cons	Qty	Rep. QTY
47		23640006		SHEET						1	
48		CM600100101		WEEE MARK LABEL S	FOR JE					1	
49	R	40024843	40086639	THREAD TENSION DISK ASM.						1	1.00
50		23626005		THREAD TENSION NUT				*		1	
51		B3115552000		TENSION POST				*		1	
52		B3120125000		ROTATING STOPPER				*		1	
53	R	B3126012000	22921506	THREAD TENSION DISK				*		2	1.00
54	R	B3128012000	22921605	TAKE-UP SPRING				*	☆	1	1.00
55		B3129012A00		TENSION SPRING				*		1	
56		B3132552000		THREAD TENSION DISK PRESSER				*		1	
57		40024845		TENSION POST SOCKET ASM.				*		1	
58		SS8090670SP		SCREW 9/64-40 L=5.5				*		1	
59		SS6110610TP		SCREW 11/64-40 L=6						1	
60		22920607		ARM THREAD GUIDE B						1	
61		22945463		THREAD TENSION ASM. ,NO.1						1	
62		22945414		THREAD TENSION POST				*		1	
63	R	22945604	22963458	THREAD TENSION GUIDE		A		*		1	1.00
63	R	22945604	22945463	THREAD TENSION GUIDE		B		*		1	1.00
64		22945505		THREAD TENSION SPRING				*		1	
65		22945703		THREAD TENSION NUT				*		1	
66		22945802		THREAD TENSION DISK				*		2	
67		SM80608A2TP		L=8SCREW M6 L=8						1	
68		SM5040655SN		SCREW						1	
69		23626104		ARM THREAD GUIDE A						1	
70		SM80608A2TP		L=8SCREW M6 L=8						1	
71		40037002		SAFETY_SWITCH_ASM.						1	
72		40037018		SAFETY SWITCH BASE				*		1	
73		23638109		SAFETY SWITCH ARM				*		1	
74	R	23638208	23638059	SAFETY SWITCH SPRING				*		1	1.00
75		23638307		SAFETY SWITCH ARM SHAFT				*		1	
76	R	23638406	23638059	SAFETY SWITCH NUT				*		1	1.00
77		23638554		SAFETY SWITCH CORD ASM.				*		1	
78		EA9500B0100		CABLE BAND				*		1	
79		SM4021201SC		SCREW M2 L=12				*		2	
80		SM4050655SP		SCREW M5 L=6						1	
81		22901805		GROUND MARK						1	
82		23629900		AIR-DISCHARGING						1	
83		RO080150200		RUBBER RING						1	
84		23601305		AIR-DISCHARGING CAP						1	
85		B1109012I0B		THROAT PLATE (I)	FOR ST,JE					1	
86		11028008		THROAT PLATE	FOR KO					1	
87		SL6051492TN		BOLT						1	
88		40022407		CORD HOLDER						1	
89		CM600600101		CHINA ENVIRONMENT LABEL	FOR SH					1	

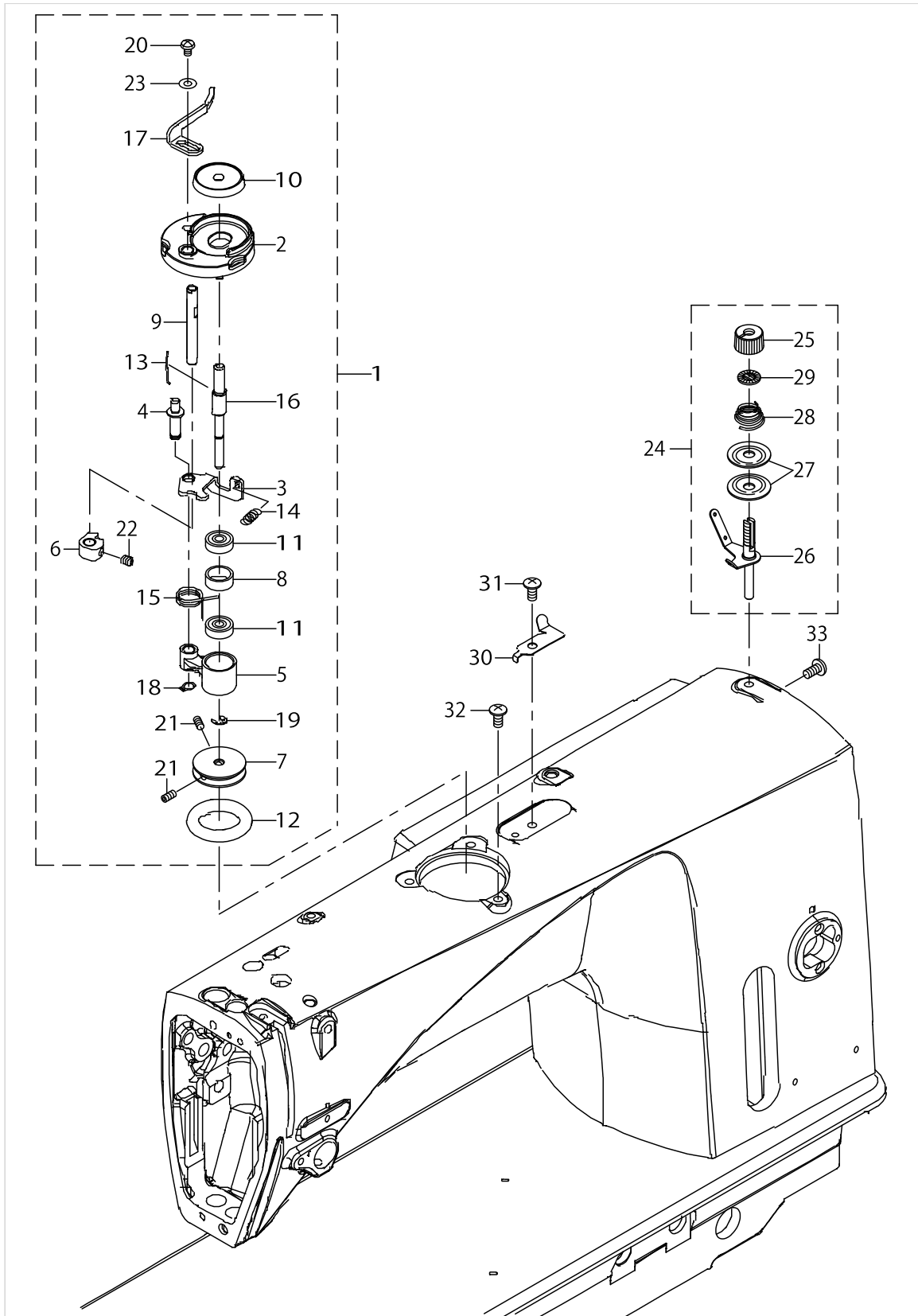
MACHINE FRAME & MISCELLANEOUS COVER COMPONENTS



MACHINE FRAME & MISCELLANEOUS COVER COMPONENTS

No.	Supply Code	Parts No.	Replacement	Parts name	Remarks	Choice	Step	Level	Cons	Qty	Rep. QTY
90		40065552		THROAT PLATE SCREW	OPTIONAL PARTS					1	
91		40069097		RULER PLATE I	OPTIONAL PARTS					1	
92		40069110		ATTACHMENT FIXATION SCREW	OPTIONAL PARTS					1	
93		40037488		SHEET	FOR SH					1	
94		B1109552000		THROAT PLATE	FOR SH					1	

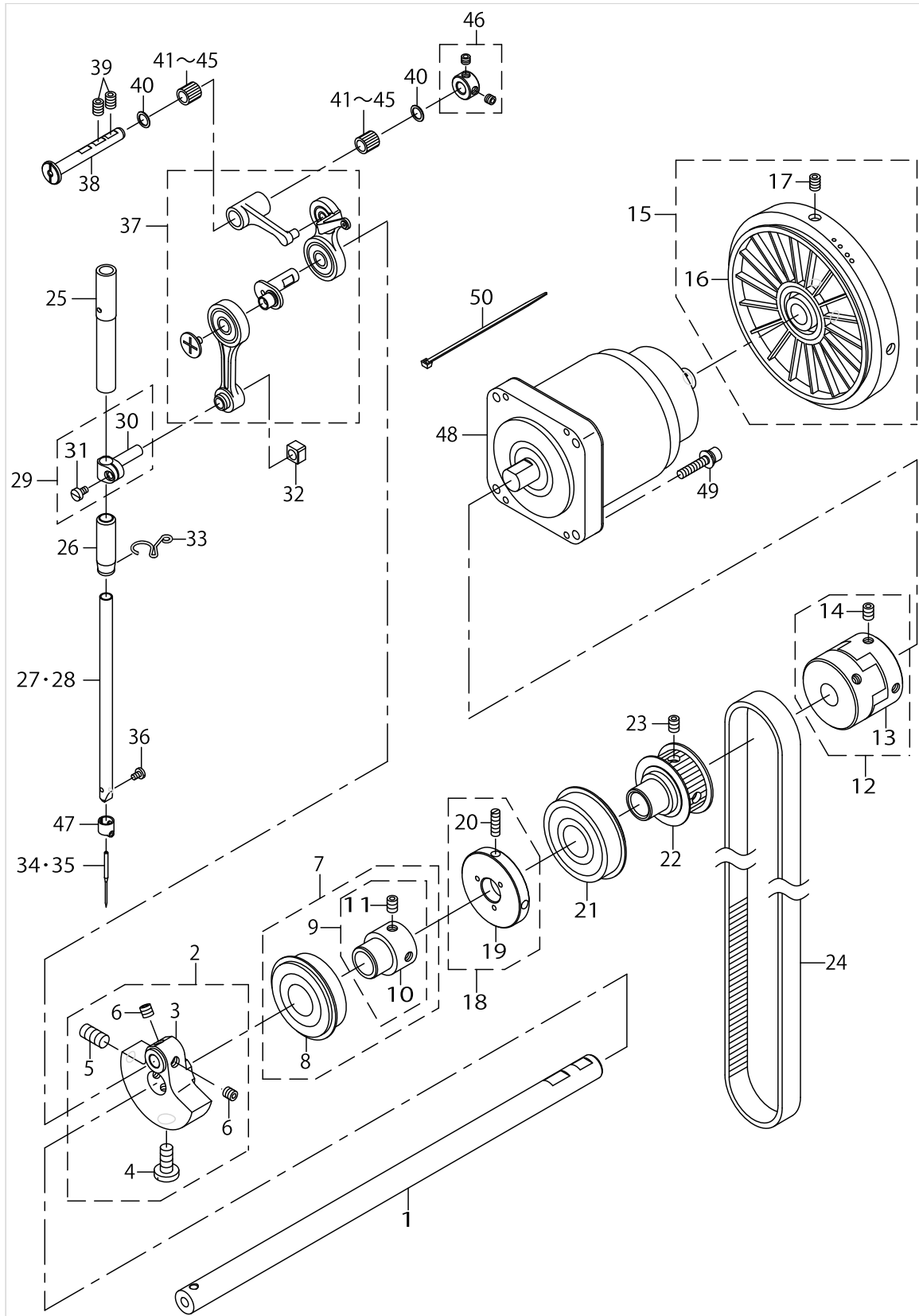
BOBBIN WINDER COMPONENTS



BOBBIN WINDER COMPONENTS

No.	Supply Code	Parts No.	Replacement	Parts name	Remarks	Choice	Step	Level	Cons	Qty	Rep. QTY
1		40023021		BOBBINWINDERUNIT						1	
2	R	26260109	26260000	BTW_BASE				*		1	1.00
3		26260208		BTW_CAM_PLATE				*		1	
4		26260307		BTW_BASE_SHAFT				*		1	
5		26260406		BTW_SHAFT_BASE				*		1	
6		26260505		BTW_CAM_LEVER				*		1	
7		26260604		BTW_WHEEL				*		1	
8	R	26260802	26260000	BTW_BEARING_SPACER				*		1	1.00
9		26261008		BTW_LEVER_SHAFT				*		1	
10		26261206		BTW_SPACER				*		1	
11	R	26261305	26260000	BTW_BEARING				*		2	1.00
12		26261503		BTW_WHEEL_RUBBER				*	☆	1	
13		26261602		BOBBIN_SPRING				*		1	
14		26261701		BTW_SPRING				*		1	
15		40011144		BTW_TORSION_SPRING				*		1	
16		40014837		BTW_SHAFT				*		1	
17		40023022		BTW LEVER				*		1	
18		RC0560711KP		RETAINING RING				*		1	
19		RE0400000K0		E-RING 4				*		1	
20		SM5040655SN		SCREW				*		1	
21		SM8040802TP		SCREW M4X8				*		2	
22		SM8050502TP		SCREW M5 L=5				*		1	
23		WP0450826SC		WASHER 4.5X10X0.8				*		1	
24	R	40040202	40088958	BOBBIN THREAD TENSION ASM.				*		1	1.00
25		11072204		TENSION NUT				*		1	
26	R	40040203	40088958	BOBBIN THREAD T- ENSION ROD ASM.				*		1	1.00
27	R	B3126012000	22921506	THREAD TENSION DISK				*		2	1.00
28		B3129012A00		TENSION SPRING				*		1	
29		B3120125000		ROTATING STOPPER				*		1	
30		40037008		THREAD_CUTTER					☆	1	
31		SM0051001SC		SCREW						1	
32		SM0051001SC		SCREW						3	
33		SM4051055SP		SCREW						1	

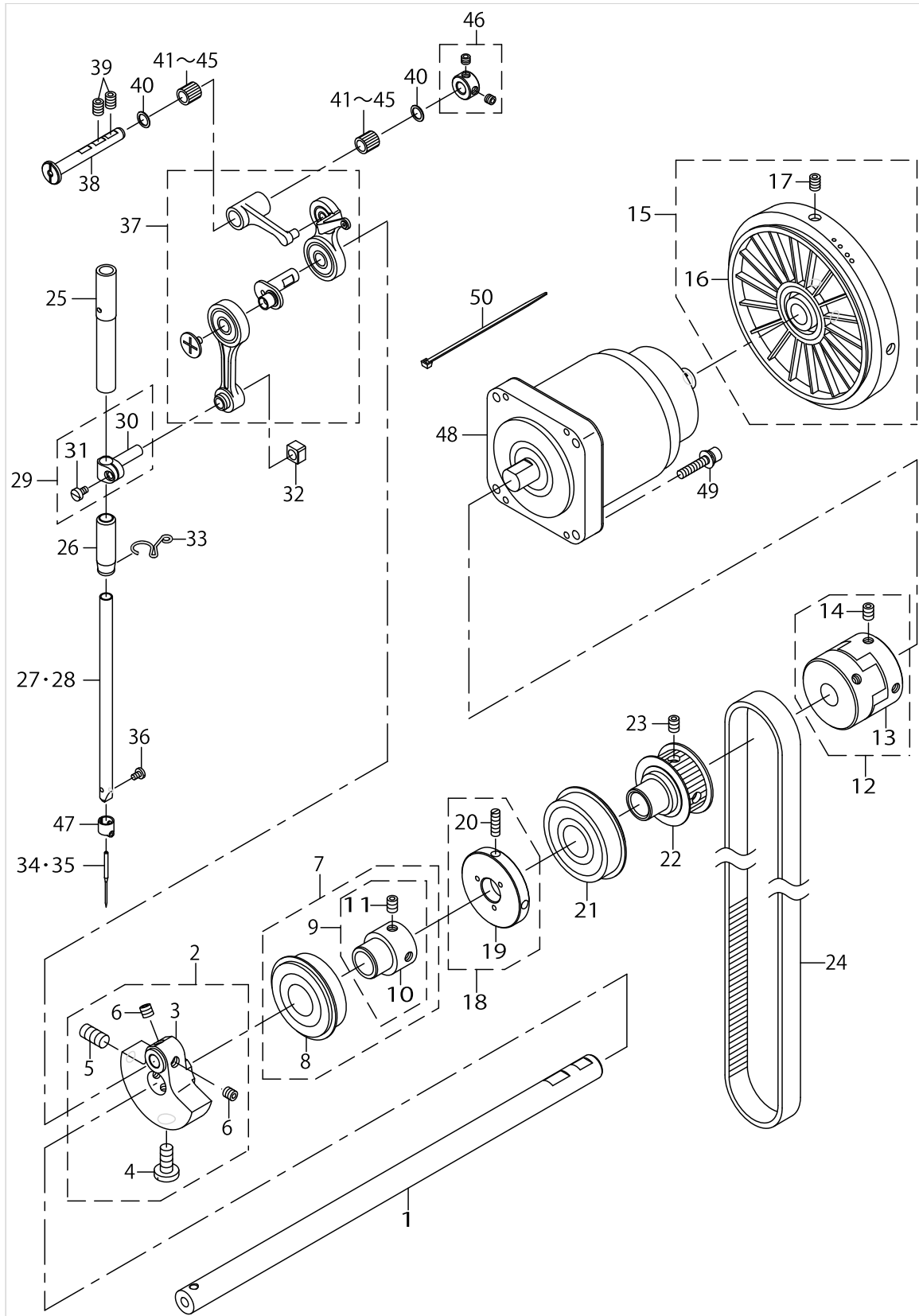
MAIN SHAFT & NEEDLE BAR COMPONENTS



MAIN SHAFT & NEEDLE BAR COMPONENTS

No.	Supply Code	Parts No.	Replacement	Parts name	Remarks	Choice	Step	Level	Cons	Qty	Rep. QTY
1		23604010		MAIN SHAFT						1	
2		40037003		ASSY_COUNTER_WEIGHT						1	
3	R	40025729	40037003	COUNTER WEIGHT				*		1	1.00
4		40004171		COUNTER_WEIGHT_SCREW				*		1	
5		SM8081652TP		SCREW M8 L=16				*		1	
6		SM80606A2TP		L=6SCREW M6 L=6				*		2	
7		23605256		BEARING SUPPORT COMPL.						1	
8		SB120001300		BEARING				*		1	
9		40044857		FRONT BEARING SUPPORT ASM.				*		1	
10		23605207		MAIN SHAFT BEARING SUPPORT				*		1	
11		SM80608A2TP		L=8SCREW M6 L=8				*		2	
12		40051473		COUPLING ASM.						1	
13		40051474		COUPLING				*		1	
14		SM80608A2TP		L=8SCREW M6 L=8				*		4	
15		40037007		HAND WHEEL ASM.						1	
16		40037006		HAND WHEEL				*		1	
17		SM80608A2TP		L=8SCREW M6 L=8				*		2	
18		40020454		BTW DRIVING WHEEL ASM.						1	
19		40020455		BTW DRIVING WHEEL				*		1	
20		SM8051610SP		SCREW M5 L=16				*		2	
21		SB120000800		BEARING						1	
22		40039946		SPROCKET ASM.						1	
23		SM80608A2TP		L=8SCREW M6 L=8						2	
24		23607302		TIMING BELT						1	
25		23608003		NEEDLE BAR METAL,UPPER						1	
26	R	23608102	40107707	NEEDLE BAR METAL,LOWER						1	1.00
27		22886907		NEEDLE BAR (A)	FOR KO,S-T,SH(FOR DBX1)					1	
28		22887004		NEEDLE BAR (B)	FOR JE(FOR DPX5)					1	
29		22906457		NEEDLE BAR HOLDER ASM.						1	
30	R	22906408	22906457	NEEDLERODHOLDER				*		1	1.00
31		SS6090670TP		SCREW 9/64-40 L=6				*		1	
32		B1414555000		SLIDE BLOCK						1	
33		23626203		NEEDLE BAR THREAD GUIDE						1	
34		MDB100B1100		NEEDLE DBX1 #11	FOR KO,S-T,SH(FOR DBX1)				☆	1	
35		MC200500750		NEEDLE 134 NM75	FOR JE(FOR DPX5)				☆	1	
36		SS7080510TP		SCREW 1/8-44 L=4.5					☆	1	
37	R	40037370	40174341	THREAD TAKE UP COMP.						1	1.00
38		40035855		THREAD TAKE UP CRANK SHAFT						1	
39		SM80608A2TP		L=8SCREW M6 L=8						2	
40		22891204		BEARING SUPPORT						2	
41		SB307000200		BEARING	SELECTIVE PARTS					2	
42		SB30700020A		BEARING	SELECTIVE PARTS					2	
43		SB30700020B		BEARING	SELECTIVE PARTS					2	
44		SB30700020C		BEARING	SELECTIVE PARTS					2	
45		SB30700020D		BEARING	FOR JE(FOR DPX5)					2	

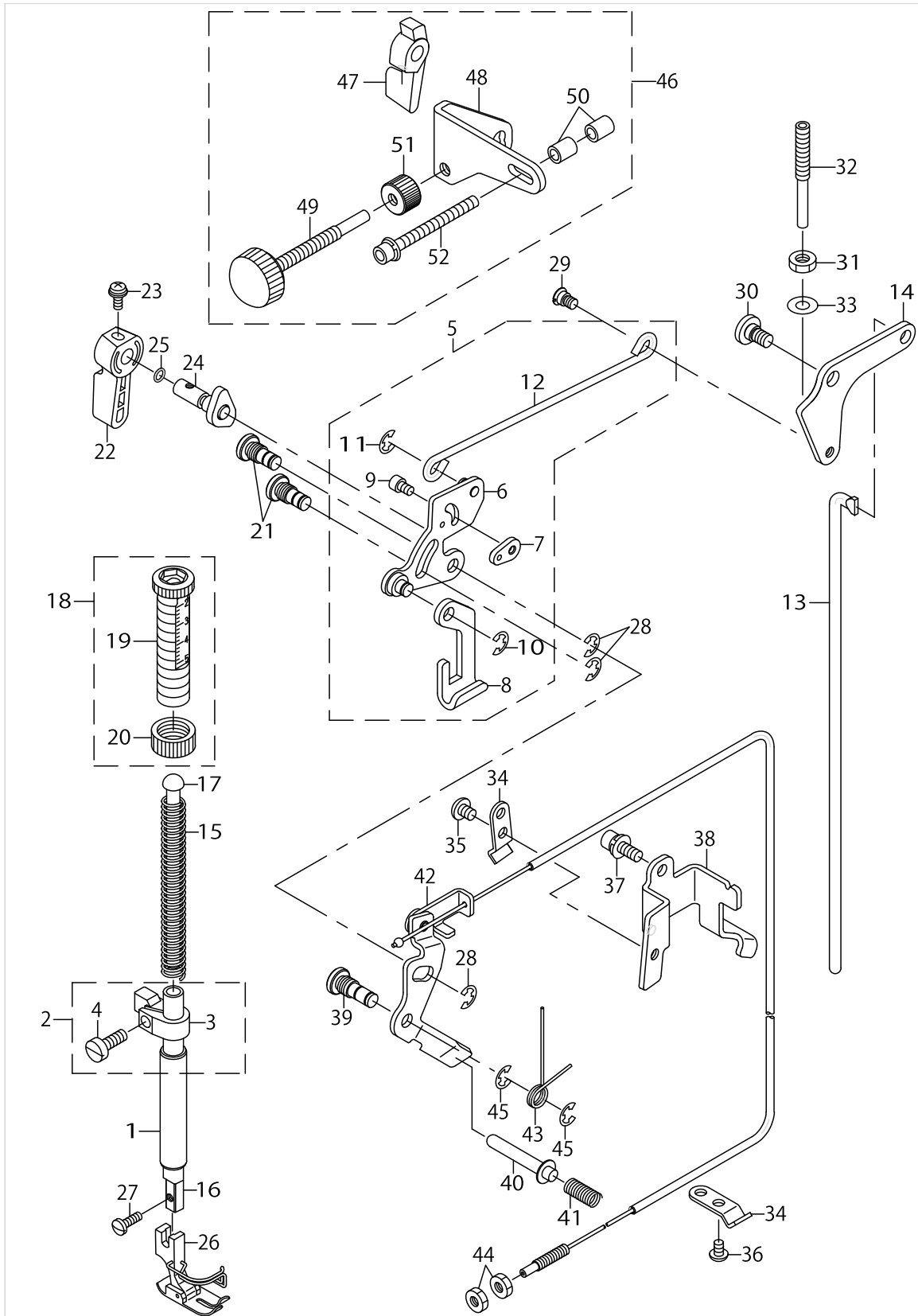
MAIN SHAFT & NEEDLE BAR COMPONENTS



MAIN SHAFT & NEEDLE BAR COMPONENTS

No.	Supply Code	Parts No.	Replacement	Parts name	Remarks	Choice	Step	Level	Cons	Qty	Rep. QTY
46		40010434		THRUST_COLLAR_ASM.						1	
47		22906309		NEEDLE BAR THREAD GUIDE						1	
48		40050265		AC_SERVO_MOTOR						1	
49		SL6052592TN		BOLT						4	
50		EA9500B0100		CABLE BAND						2	

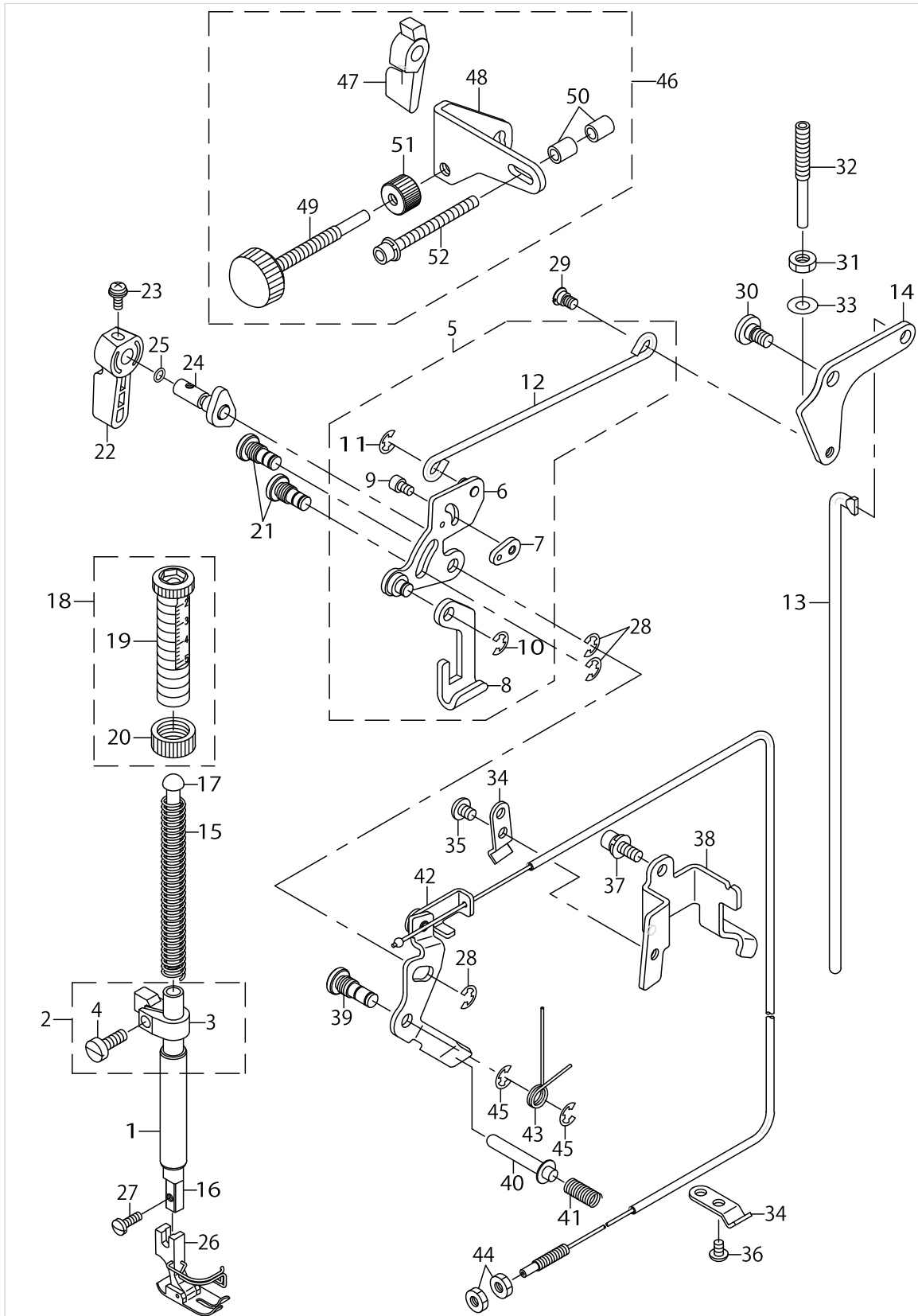
HAND LIFTER & TENSION RELEASE COMPONENTS



HAND LIFTER & TENSION RELEASE COMPONENTS

No.	Supply Code	Parts No.	Replacement	Parts name	Remarks	Choice	Step	Level	Cons	Qty	Rep. QTY
1		23609001		BUSHING						1	
2		40040264		PRESSER BAR GUIDE BRACKET ASM.						1	
3	R	40039078	40040264	PRESSER BAR GUIDE BRACKET				*		1	1.00
4		SM6051400SP		SCREW				*		1	
5		23609357		LIFTING LEVER CONNECT ROD ASM.						1	
6	R	23609456	23609357	LIFTING LINK COMPL.				*		1	1.00
7		23609605		PLATE				*		1	
8	R	22908008	22908354	LIFTING PLATE		A	DDL-5550 5550N 555- ON-7 5556- N-7 5600NL-7	*		1	1.00
8	R	22908008	23609357	LIFTING PLATE		B	DDL-9000A 9000B	*		1	1.00
8	R	22908008	40057398	LIFTING PLATE		C	LH-3500	*		1	1.00
8	R	22908008	40174387	LIFTING PLATE		D	DDL-9000C	*		1	1.00
9		SM6040602TP		SCREW M4 L=6				*		1	
10		RE0500000K0		E-RING				*		1	
11		RE0500000K0		E-RING				*		1	
12	R	23609308	23609357	LIFTING LEVER CONNECT ROD				*		1	1.00
13		23609803		CONNECTING ROD						1	
14		23609704		LIFTING LEVER LINK						1	
15		22907406		PRESSER SPRING						1	
16		23610207		PRESSER BAR						1	
17		23610306		PRESSER GUIDE BAR						1	
18		40037359		PRESSER SPRING REGURATOR ASM.						1	
19	R	40037141	40037359	PRESSER SPRING REGULATOR				*		1	1.00
20	R	40037144	40037359	PRESSER SPRING REGULATOR NUT				*		1	1.00
21		40050583		LINK SHAFT						2	
22		22907802		HAND LIFTER						1	
23		B1521555000		SCREW						1	
24		22908552		HAND LIFTER CAM ASM.						1	
25		RO037180100		RUBBER RING						1	
26		B15240120BA		PRESSER FOOT ASM.						1	
27		SS7091110TP		SCREW 9/64-40 L=10.5					☆	1	
28		RE0500000K0		E-RING						3	
29		22908909		HINGE SCREW						1	
30		SD0720336SP		SHOULDER SCREW						1	
31	R	NM6060003SE	NM6060003SC	NUT FOR BRACKET						1	1.00
32		40036706		ADJUSTING SCREW						1	
33		WP0621016SD		WASHER 6.2X13X1						1	
34		22944508		WIRE PRESSER A						2	
35		SM4050655SP		SCREW M5 L=6						1	
36		SM4040655SP		SCREW M4 L=6						1	
37		SL6051492TN		BOLT						1	
38		40039708		WIRE HOLDER						1	
39		40050582		TENSION RELEASE SHAFT						1	
40		22920300		THREAD RELEASE SUPPORTING PIN						1	

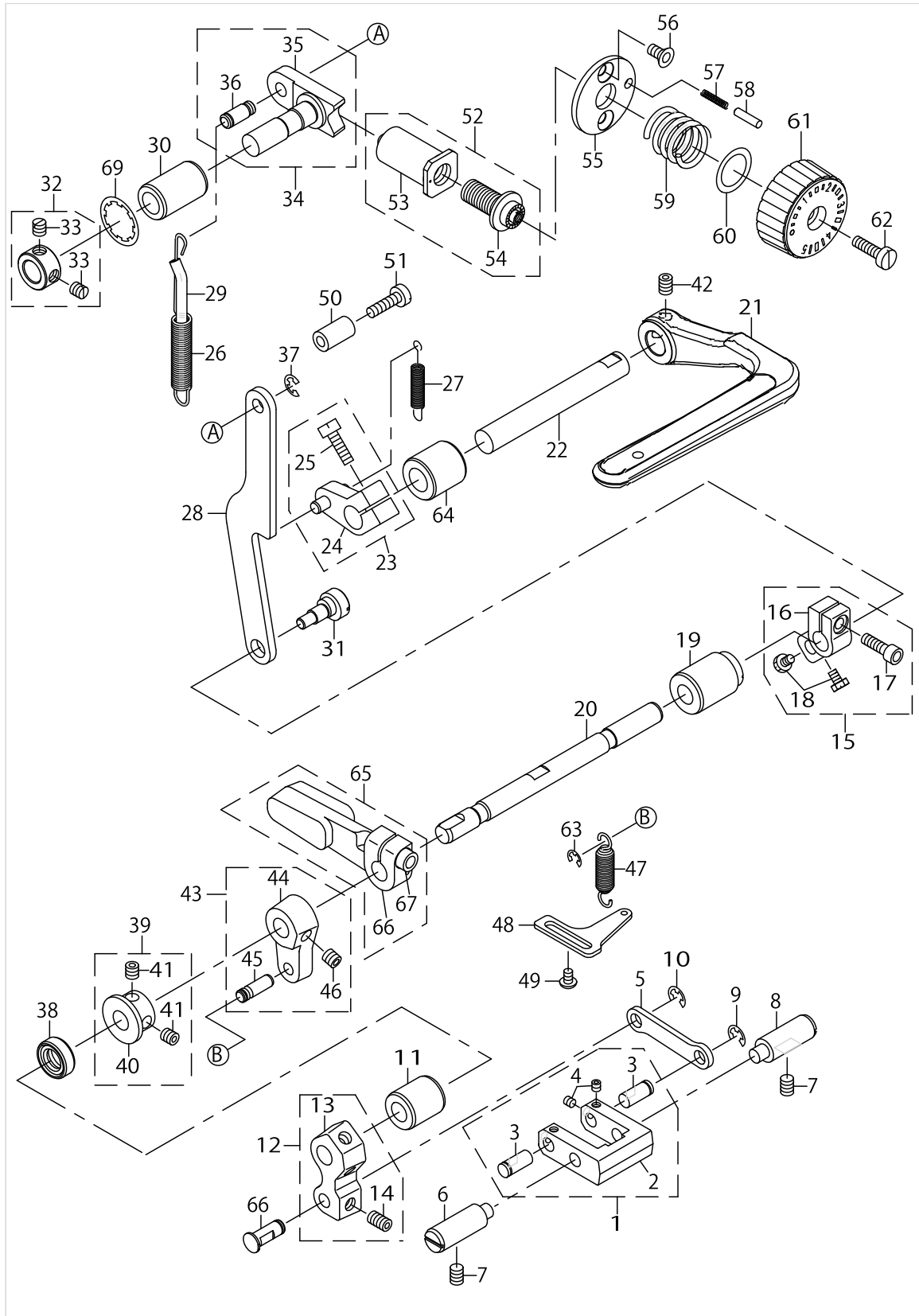
HAND LIFTER & TENSION RELEASE COMPONENTS



HAND LIFTER & TENSION RELEASE COMPONENTS

No.	Supply Code	Parts No.	Replacement	Parts name	Remarks	Choice	Step	Level	Cons	Qty	Rep. QTY
41		22920409		THREAD RELEASE PIN SPRING						1	
42		23626351		THREAD TENSION RELEASE WIRE						1	
43		23626807		TENSION RELEASE RETURN SPRING						1	
44		NS6620310SP		NUT 3/16-32						2	
45		RE0500000K0		E-RING						2	
46		40056622		MINUTE LIFTING DEVICE ASM.	OPTIONAL PARTS					1	
47		23611106		HAND LIFTER				*		1	
48		23610504		STOPPER BASE				*		1	
49		23610652		STOPPER SCREW ASM.				*		1	
50		D5119206K0K		SPACER				*		2	
51		23610702		STOPPER SCREW NUT				*		1	
52		SL6053592TN		BOLT				*		1	

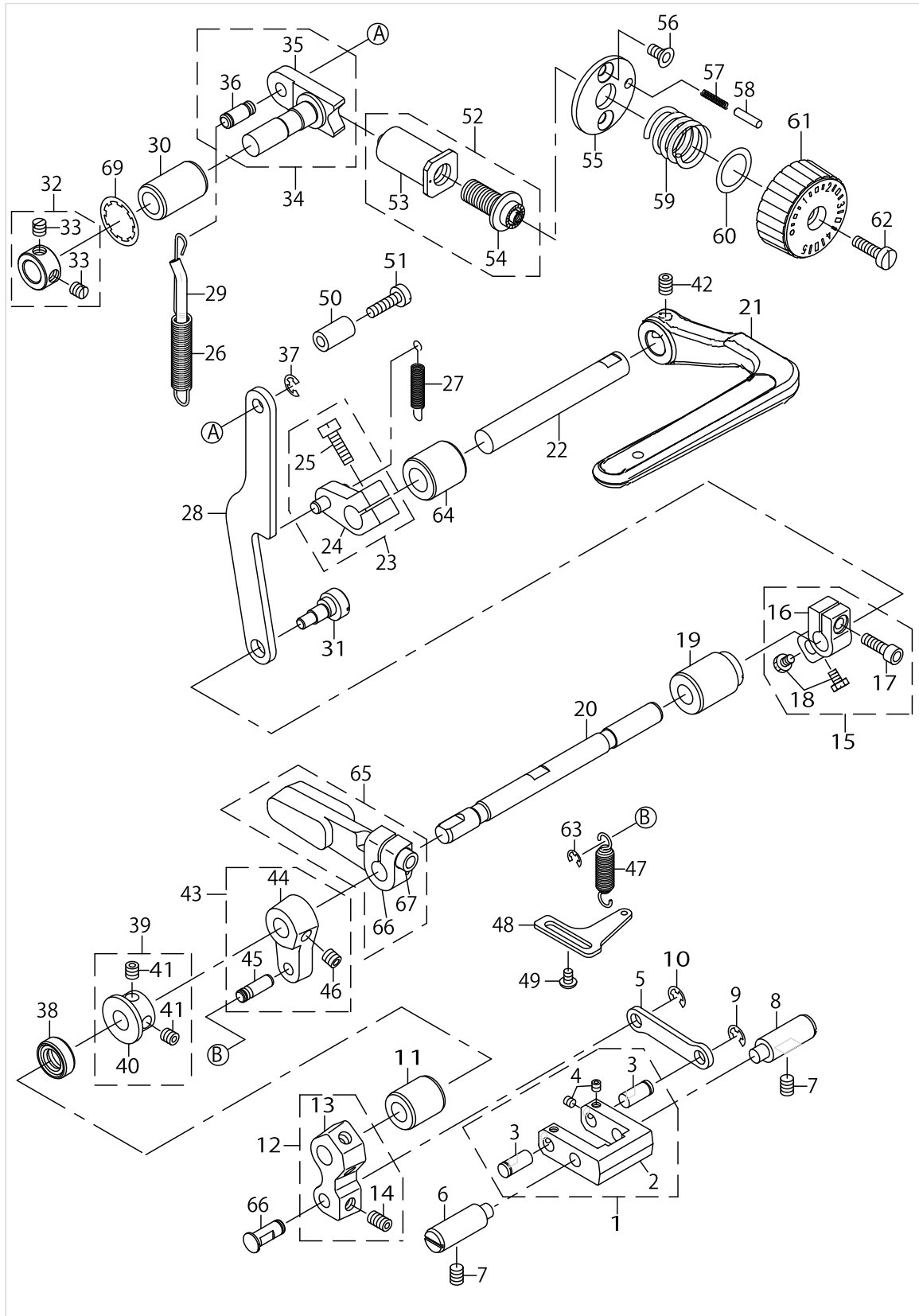
FEED ADJUST MECHANISM COMPONENTS



FEED ADJUST MECHANISM COMPONENTS

No.	Supply Code	Parts No.	Replacement	Parts name	Remarks	Choice	Step	Level	Cons	Qty	Rep. QTY
1		40037188		ADJUSTING LINK ASM.						1	
2		40026272		ADJUSTING LINK				*		1	
3		40033393		ADJUSTING LINK PIN				*		2	
4		SM80404A2TP		CREW M4 L=4				*		4	
5		23612104		ADJUSTING LINK C- ONNECTING LINK						1	
6		40012032		ADJUSTING LINK F- ULCRUM SHAFT						2	
7		SM80608A2TP		L=8SCREW M6 L=8						2	
8		40040370		ADJUSTING LINK F- ULCRUM SHAFT B						1	
9		RE0500000K0		E-RING						1	
10		RE0500000K0		E-RING						1	
11		23612807		METAL,A						1	
12		40056502		FEED CHANGING S- HAFT ARM A ASM.						1	
13		40053465		FEED CHANGING SHAFT ARM A				*		1	
14		SS8661012TP		SCREW				*		3	
15	R	40037191	40073953	FEED CHANGING S- HAFT ARM B ASM.						1	1.00
16		40026274		FEED CHANGING SHAFT ARM B				*		1	
17		SM6051602TP		SCREW M5X0.8 L=16				*		1	
18		SM9040650TP		SCREW M4 L=6				*		2	
19		40060869		FEED CHANGING SHAFT METAL B						1	
20		40037017		FEED CHANGING SHAFT						1	
21		40041470		REVERSE_FEED_LEVER						1	
22		23613706		FEED LEVER SHAFT						1	
23		23613953		FEED LEVER ARM ASM.						1	
24		23613904		FEED LEVER ARM				*		1	
25		SS6121860SP		SCREW 3/16-28 L=18				*		1	
26		40027582		FEED ADJUSTING SPRING						1	
27		23614308		FEED LEVER SPRING						1	
28		40026275		FEED ADJUSTING ROD						1	
29		23630007		TUBE						.1	
30		23613508		ADJUSTING BASE SHAFT METAL						1	
31		40028112		FEED_ADJUSTING_PIN						1	
32		CS111101CSH		THRUST COLLAR A- SM.D=11.11 W=10						1	
33		SS8660610TP		SCREW 1/4-40 L=6				*		2	
34		40036344		FEED REGULATOR ASSY						1	
35		40036343		FEED REGULATOR				*		1	
36		40040499		FEED REGUKATOR PIN				*		1	
37		RE0500000K0		E-RING						1	
38		23612609		FEED CHANGING SHAFT OIL SEAL						1	
39		40055585		THRUST COLLAR ASM.						1	
40	R	23612716	23612765	THRUST COLLAR				*		1	1.00
41		SS8660612TP		SCREW 1/4-40 L=6				*		2	
42		SM80608A2TP		L=8SCREW M6 L=8						2	
43		40053450		FEED CHANGING S- HAFT ARM C ASM.						1	
44		40050221		FEED CHANGING SHAFT ARM C				*		1	

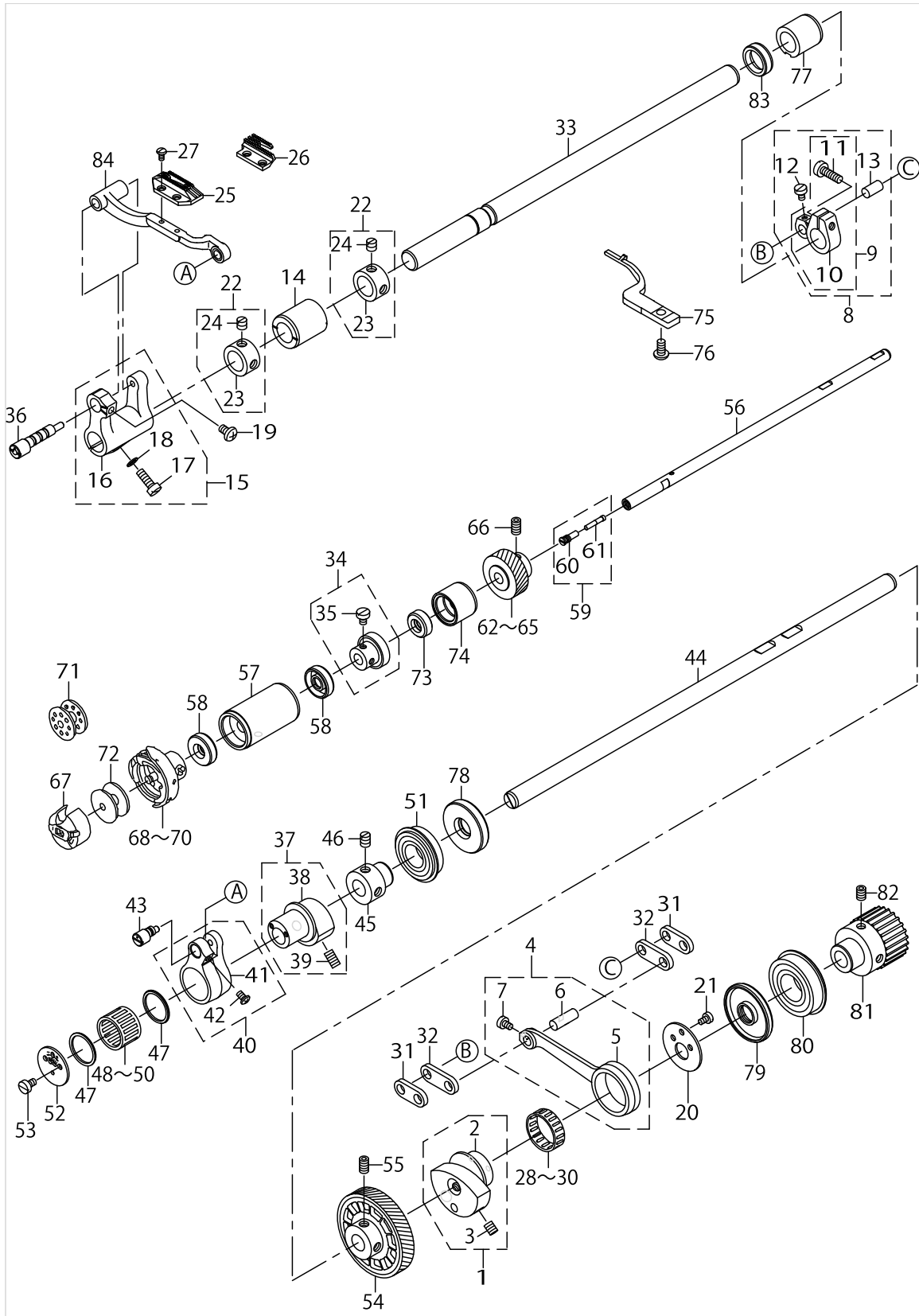
FEED ADJUST MECHANISM COMPONENTS



FEED ADJUST MECHANISM COMPONENTS

No.	Supply Code	Parts No.	Replacement	Parts name	Remarks	Choice	Step	Level	Cons	Qty	Rep. QTY
45	R	40056721	40053450	FEED CHANGING S-HAFT ARM C PIN				*		1	1.00
46		SS8660612TP		SCREW 1/4-40 L=6				*		1	
47		40050219		FEED CHANGING SHAFT SPRING						1	
48		40050220		FEED CHANGING S-HAFT SPRING HOOK						1	
49		SM4040655SP		SCREW M4 L=6						1	
50		22952501		BACK LEVER STOPPER						1	
51		SM6051850TP		SCREW M5 L=18						1	
52		40062651		FEED ADJUSTING SHAFT ASM						1	
53	R	40055569	40062651	FEED_ADJUSTING_SHAFT				*		1	1.00
54		23533904		FEED ADJUSTING SCREW				*		1	
55		40053172		FEED ADJUSTING BASE						1	
56		SM1051052TN		SCREW M5 L=10						2	
57		22912109		FEED REGULATOR PIN SPRING						1	
58		22912000		FEED REGULATOR PIN						1	
59		23534506		FEED DIAL SPRING						1	
60		WP1751616SD		WASHER 17.5X24X1.6						1	
61		40036433		FEED_DIAL						1	
62		SS6121860SP		SCREW 3/16-28 L=18						1	
63		RE0400000K0		E-RING 4						1	
64		23613805		FEED LEVER SHAFT METAL						1	
65		40061560		FEED_CHANGING_B-ALANCER_ARM_ASM						1	
66		40061545		FEED_CHANGING_BALANCER_ARM				*		1	
67		SM6061802TP		SCREW M6 L=18				*		1	
68		40053340		ADJUSTING LINK PIN						1	
69		WT1780011KP		TOOTHEDWASHER18						1	

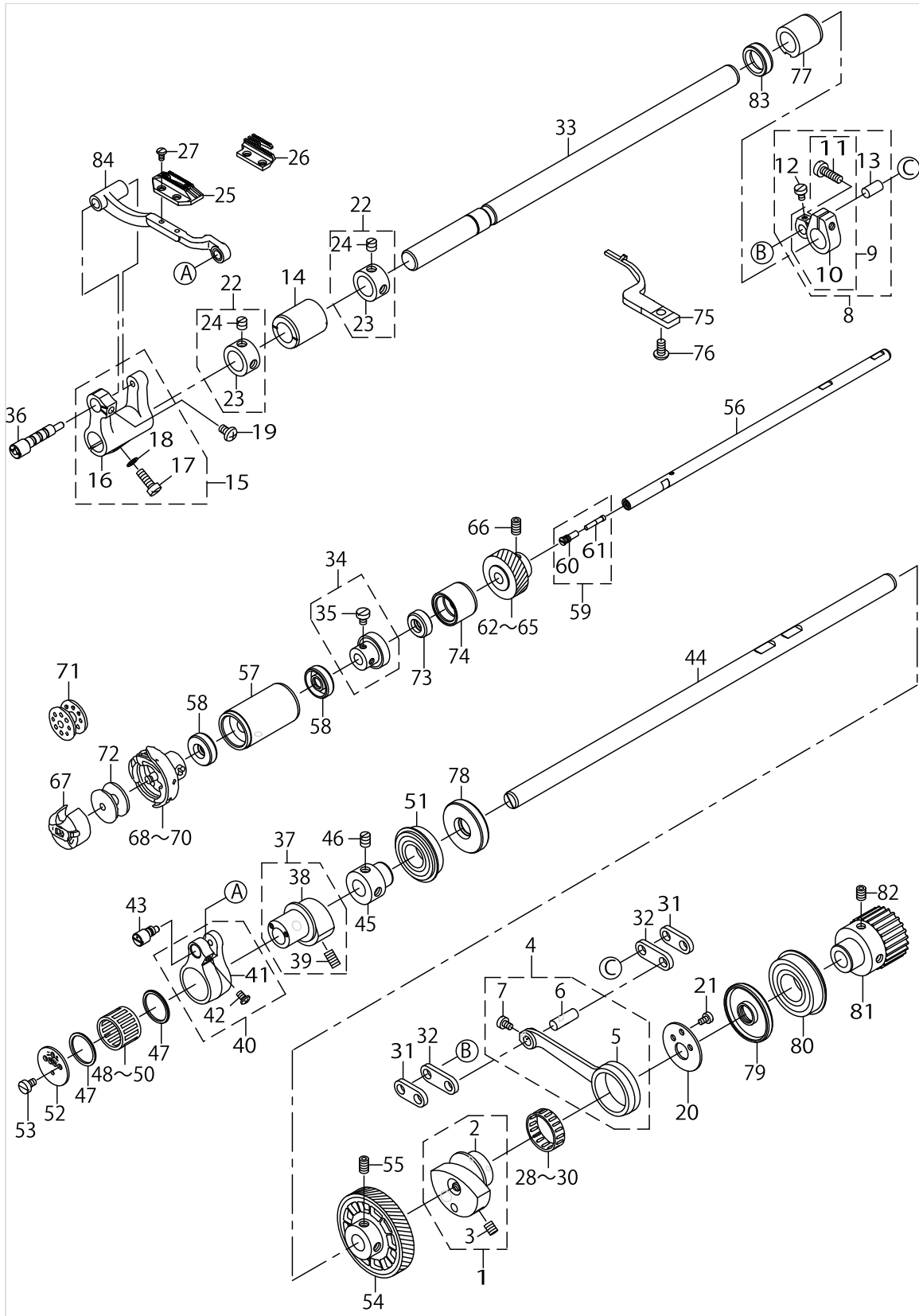
HORIZONTAL FEED, VERTICAL FEED & HOOK DRIVING SHAFT COMPONENTS



HORIZONTAL FEED, VERTICAL FEED & HOOK DRIVING SHAFT COMPONENTS

No.	Supply Code	Parts No.	Replacement	Parts name	Remarks	Choice	Step	Level	Cons	Qty	Rep. QTY
1		40037192		FEED ROCKER CAM ASM.						1	
2		23616006		FEED ROCKER CAM				*		1	
3		SS8150822TP		SCREW 15/64-28 L=8				*		2	
4		40037365		FEED ROCKER ROD ASM.						1	
5		40026277		FEED ROCKER ROD				*		1	
6		22911101		WALKING FOOT PIN C				*		1	
7		SS6090620TP		SCREW				*		1	
8		40061246		FEED ROCKER ARM ALL ASM.						1	
9	R	40058504	40061246	FEED ROCKER ARM ASM.				*		1	1.00
10	R	40042079	40061246	FEED ROCKER ARM				*		1	1.00
11		SS6121610SP		SCREW 3/16-28 L=15.5				*		1	
12		SS6090620TP		SCREW				*		1	
13		22911002		WALKING FOOT PIN B				*		1	
14		40060868		FEED SHAFT FRONT METAL						1	
15		40037005		ASSY_FEED_ROCKER_BASE_ARM						1	
16		40026281		FEED ROCKER BASE ARM				*		1	
17		SM6051400SP		SCREW				*		1	
18		WP0531000SD		WASHER M5				*		1	
19		SM4050855SP		SCREW						1	
20		23616204		FEED ROCKER CAM PLATE						1	
21		SS6090670TP		SCREW 9/64-40 L=6						2	
22		22904155		MAIN SHAFT THRU-ST COLLAR ASM.						2	
23	R	22904106	22904155	MAIN SHAFT THRUST COLLAR				*		1	1.00
24		SS8660610TP		SCREW 1/4-40 L=6				*		2	
25		B1613012I00		FEED DOG I	FOR ST,JE,SH					1	
26		23614506		FEED DOG A	FOR KO					1	
27		SS4080620TP		SCREW 1/8-44 L=6						2	
28		B412352200A		NEEDLE BEARING	SELECTIVE PARTS					1	
29		B412352200B		NEEDLE ROLLAR	SELECTIVE PARTS					1	
30		B412352200C		NEEDLE ROLLAR	SELECTIVE PARTS					1	
31		40026278		CONNECTING LINK A						2	
32		40060448		CONNECTING LINK B						2	
33		23616600		FEEDROCKERSHAFT						1	
34		23620354		BEARING SUPPORT ASM.						1	
35		SS6110650TP		SCREW 11/64-40 L=5.5				*		2	
36		40026282		FEED ROCKER BASE SHAFT						1	
37		40000391		VERTICAL FEED CAM ASM. 5						1	
38	R	40000392	40000391	VERTICAL FEED CAM 5				*		1	1.00
39		SS8151150TP		SCREW 15/64-28 L=10.5				*		2	
40		40053720		FEED DRIVING BASE ARM ASM.						1	
41	R	40026287	40053720	FEED DRIVING BASE ARM				*		1	1.00
42		SM4040655SP		SCREW M4 L=6				*		1	
43		40026288		FEED DRIVING BASE SHAFT						1	
44		40030790		FEED DRIVING SHAFT						1	
45		23618606		BEARING SUPPORT						1	
46		SS8661012TP		SCREW						2	

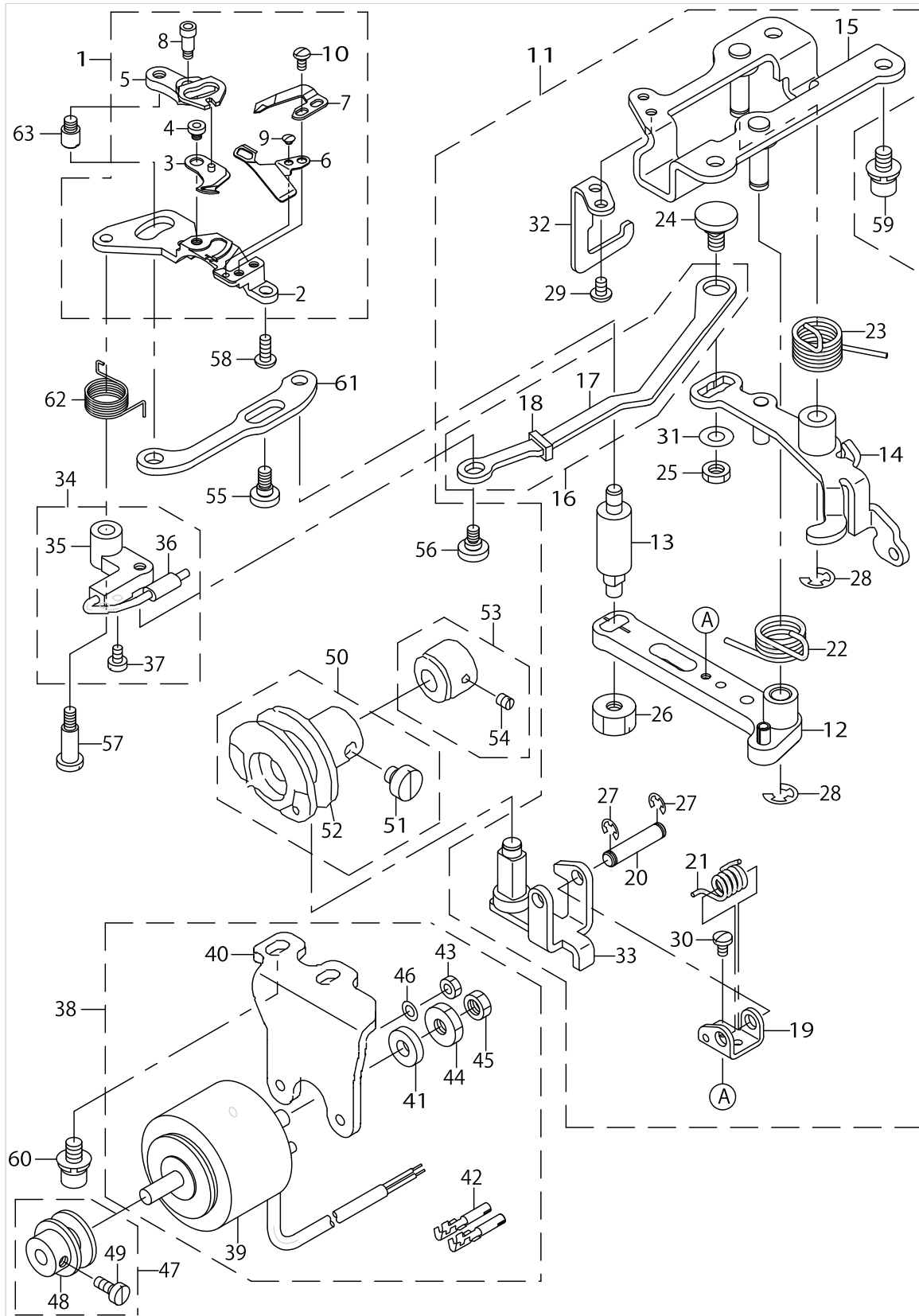
HORIZONTAL FEED, VERTICAL FEED & HOOK DRIVING SHAFT COMPONENTS



HORIZONTAL FEED, VERTICAL FEED & HOOK DRIVING SHAFT COMPONENTS

No.	Supply Code	Parts No.	Replacement	Parts name	Remarks	Choice	Step	Level	Cons	Qty	Rep. QTY
47		23618101		FEED DRIVING CAM THRUST BUSH						2	
48		SB32000060A		BEARING	SELECTIVE PARTS					1	
49		SB32000060B		BEARING	SELECTIVE PARTS					1	
50		SB32000060C		BEARING	SELECTIVE PARTS					1	
51		SB117000400		BEARING						1	
52		23618309		FEED DRIVING CAM PLATE						1	
53		SS6090670TP		SCREW 9/64-40 L=6						2	
54		23620503		GEAR,LARGE						1	
55		SS8661012TP		SCREW						2	
56		23620008		HOOK SHAFT						1	
57		23620156		HOOK SHAFT METAL COMPL.						1	
58	R	23620206	40145927	OIL SEAL						2	1.00
59		22916555		OILSEALSCREWASM.						1	
60		22916506		SET SCREW				*		1	
61		11015906		OIL WICK				*		1	
62		23620701		GEAR,SMALL(A)	SELECTIVE PARTS					1	
63		23620800		GEAR,SMALL(B)	SELECTIVE PARTS					1	
64		23620909		GEAR,SMALL(C)	SELECTIVE PARTS					1	
65		23621006		GEAR,SMALL(D)	SELECTIVE PARTS					1	
66		SS8661012TP		SCREW						2	
67		D1837555BAAA		BOBBIN CASE ASM.					☆	1	
68		11141355		HOOK ASM.	FOR JE				☆	1	
69		11038650		HOOK ASM.	FOR ST,KO,SH				☆	1	
70		23621303		HOOK ASM. K	OPTIONAL PARTS				☆	1	
71	R	B9117012000	22932909	BOBBIN	OPTIONAL PARTS				☆	1	1.00
72	R	B9117552A00	22964001	BOBBIN					☆	1	1.00
73		22890008		HOOK DRIVING SHAFT OIL SEAL						1	
74		23620404		HOOK SHAFT REAR METAL						1	
75	R	40068998	40089607	INNERHOOK HOLDER						1	1.00
76		SM4051055SP		SCREW						1	
77		40060865		FEED SHAFT REAR METAL						1	
78		23618705		OIL SEAL						1	
79		23618804		OIL SEAL						1	
80		SB120001000		BEARING						1	
81		40031608		SPROCKET ASM.						1	
82		SM8060812TP		SCREW M6 L=8						2	
83		22888002		OIL SEAL						1	
84		40030786		FEED BASE COMPL.						1	

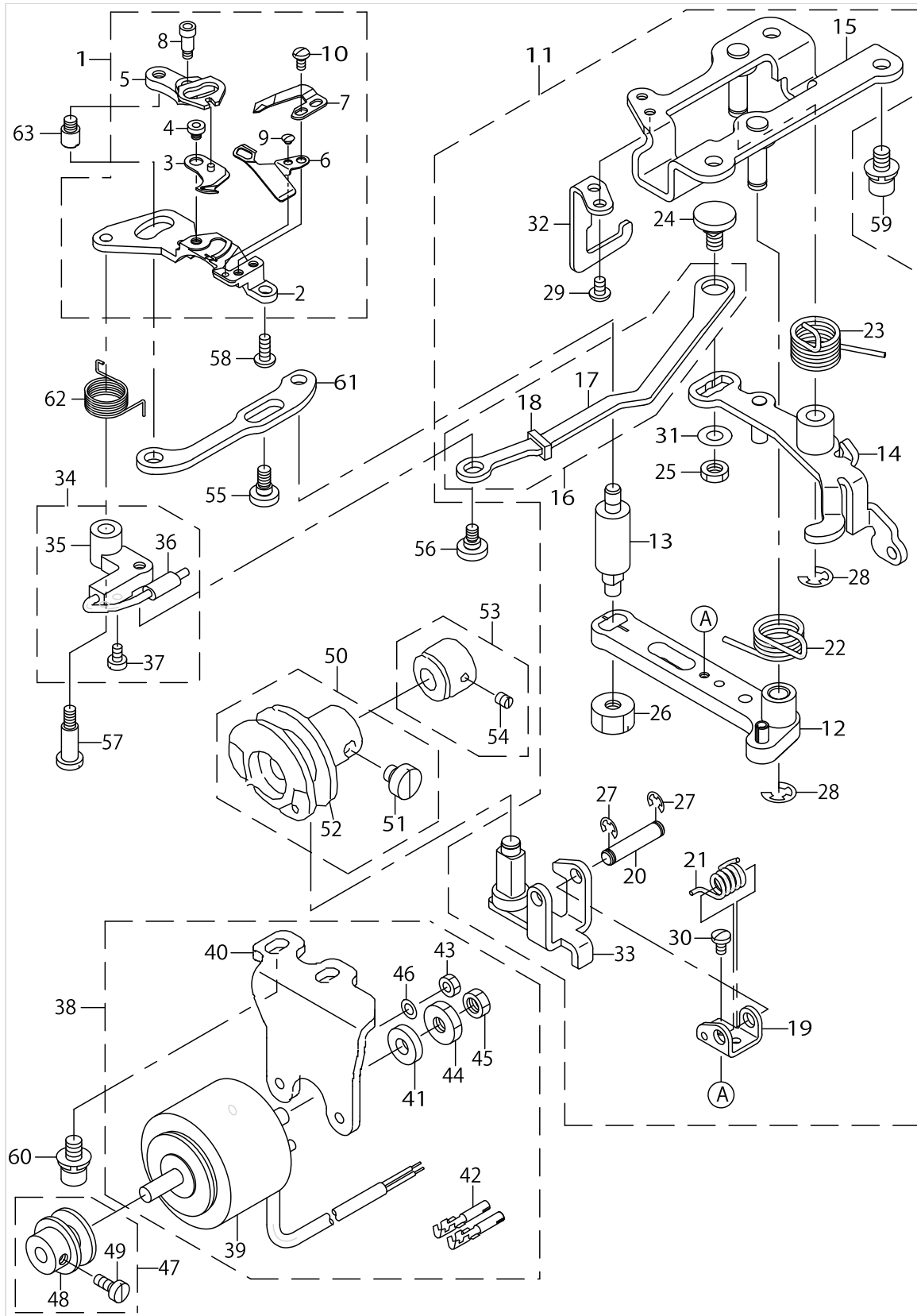
THREAD TRIMMER COMPONENTS



THREAD TRIMMER COMPONENTS

No.	Supply Code	Parts No.	Replacement	Parts name	Remarks	Choice	Step	Level	Cons	Qty	Rep. QTY
1		40050585		KNIFE UNIT						1	
2		22947907		KNIFE MOUNTING BASE				*		1	
3		11040052		MOVING KNIFE ASM.				*	☆	1	
4		11040409		MOVING KNIFE HINGE SCREW				*		1	
5		22948202		FORKED BASE FOR KNIFE				*		1	
6		40044189		THREAD_GUIDE_FOR_KNIFE				*	☆	1	
7		D2406555D0H		COUNTER KNIFE				*	☆	1	
8		SD0460703TP		HINGE SCREW D=4.6 H=7				*		1	
9		SS2060210SP		SCREW 3/32-56 L=2.3				*	☆	1	
10		SS4080620TP		SCREW 1/8-44 L=6				*		2	
11		40036995		KNIFE_DRIVING_UNIT						1	
12		40071740		KNIFE DRIVING ARM ASM.				*		1	
13		40030338		MOVING KNIFE LINK PIN				*		1	
14		40030335		CLUTCH PLATE ASM.				*		1	
15		40030333		BASE PLATE ASM.				*		1	
16		40041393		PICKER LINK ASM.				*		1	
17	R	40030343	40041393	PICKER LINK				*		1	1.00
18		22919203		OIL PROTECTING RUBBER				*		1	
19		22949002		ROLLER ARM SEAT				*		1	
20		22949101		ROLLER FULCRUM SHAFT				*		1	
21		22949200		ROLLER RETURN SPRING				*		1	
22		40071950		KNIFE RETURN SPRING				*		1	
23		40040407		CLUTCH SPRING				*		1	
24		22950000		PICKER LINK PIN				*		1	
25		NS6150310SP		NUT 15/64-28				*		1	
26		NS6150810SP		NUT 15/64-28				*		1	
27		RE0400000K0		E-RING 4				*		2	
28		RE0600000K0		E-RING 6				*		2	
29		SM4040655SP		SCREW M4 L=6				*		2	
30		SS7090610SP		SCREW 9/64-40 L=6				*		1	
31		WP0621016SH		WASHER				*		1	
32		22950703		DRIVING ARM STOPPER				*		1	
33		40030339		ROLLER ARM ASM.				*		1	
34		40036998		ASSY_PICKER_ARM						1	
35		40061215		PICKER ARM				*		1	
36		40036997		ASSY_PICKER				*	☆	1	
37		SS6090510TP		SCREW 9/64-40 L=5.0				*		2	
38		40040545		ASSY_THREAD_TRIM_SOLENOID						1	
39	R	40056706	40040545	THREAD TRIMMER SOLENOID				*		1	1.00
40		40040508		SOLENOID_BASE				*		1	
41		11043304		SOLENOID RUBBER				*		1	
42		HK03464000B		PIN CONTACT				*		2	
43		NM6040000SN		NUT M4				*		2	
44		NS6660410SH		NUT				*		1	
45		NS6660430SP		NUT 1/4-40				*		1	
46		WP0430800SC		WASHER M4				*		2	

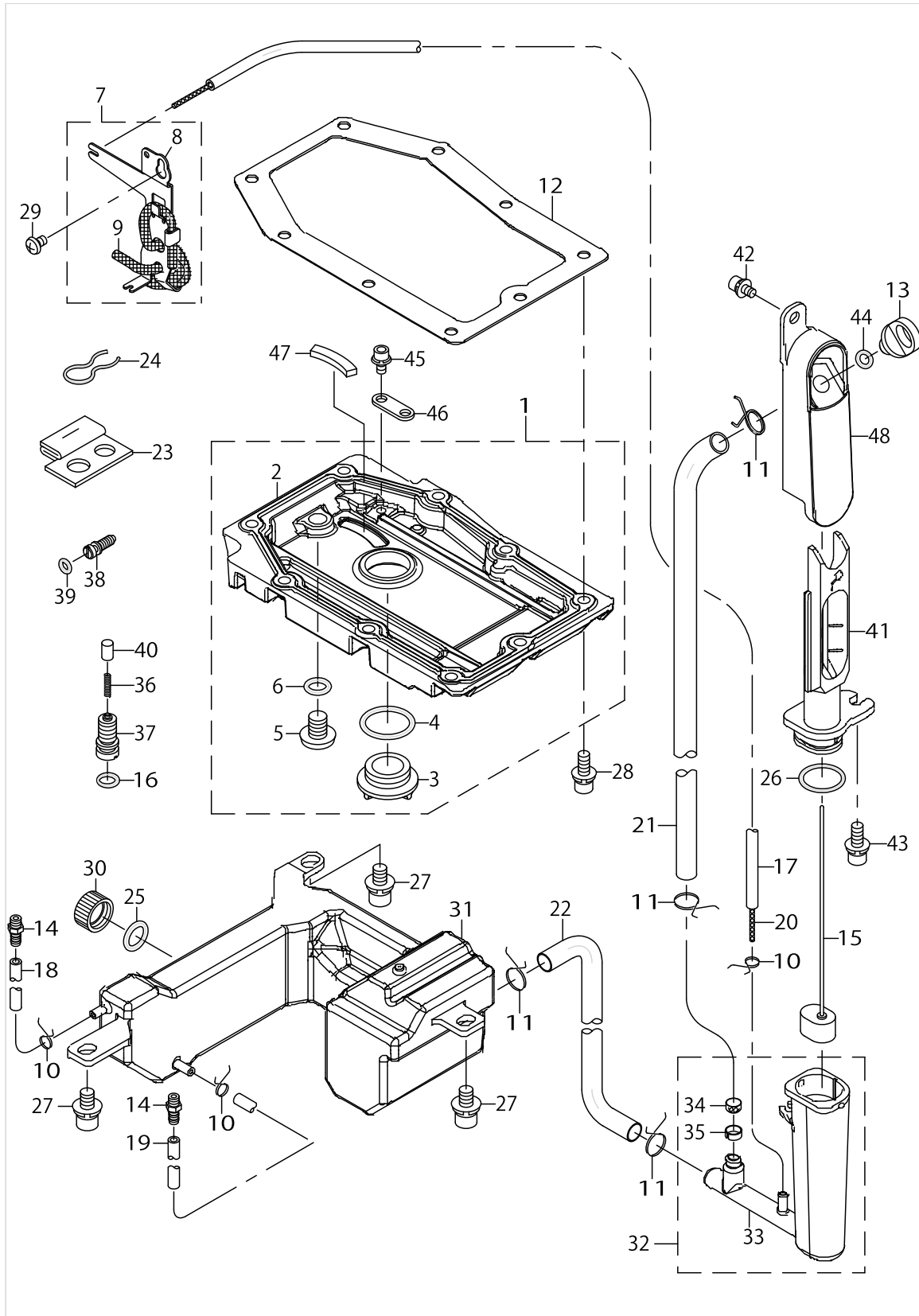
THREAD TRIMMER COMPONENTS



THREAD TRIMMER COMPONENTS

No.	Supply Code	Parts No.	Replacement	Parts name	Remarks	Choice	Step	Level	Cons	Qty	Rep. QTY
47		23624554		DRIVING BLOCK ASM.						1	
48		23624505		DRIVING BLOCK				*		1	
49		SS6110710TP		SCREW 11/64-40 L= 6.5				*		1	
50	R	11042850	22950851	THREAD TRIMMER CAM ASM.						1	1.00
51		SS6660610TP		SCREW 1/4-40 L=6				*		2	
52	D	11042801		THREAD TRIMMER CAM ASM.				*		1	
53		22950950		CAM COLLAR ASM.						1	
54		SS8110520TP		SCREW 11/64-40 L= 4.5				*		1	
55		SD0600329TP		SHOULDER SCREW D=6 H=3.2						1	
56		SD0630275SP		HINGE SCREW D= 6.35 H= 2.7						1	
57		SD0641456TP		SHOULDER SCREW D=6.35 H=14.5						1	
58		SM4041055SP		SCREW						1	
59		SL6061292TN		SCREW						3	
60		SL6061292TN		SCREW						2	
61		40030342		MOVING KNIFE LINK						1	
62		40029398		PICKER SPRING						1	
63		23623903		PIN						1	

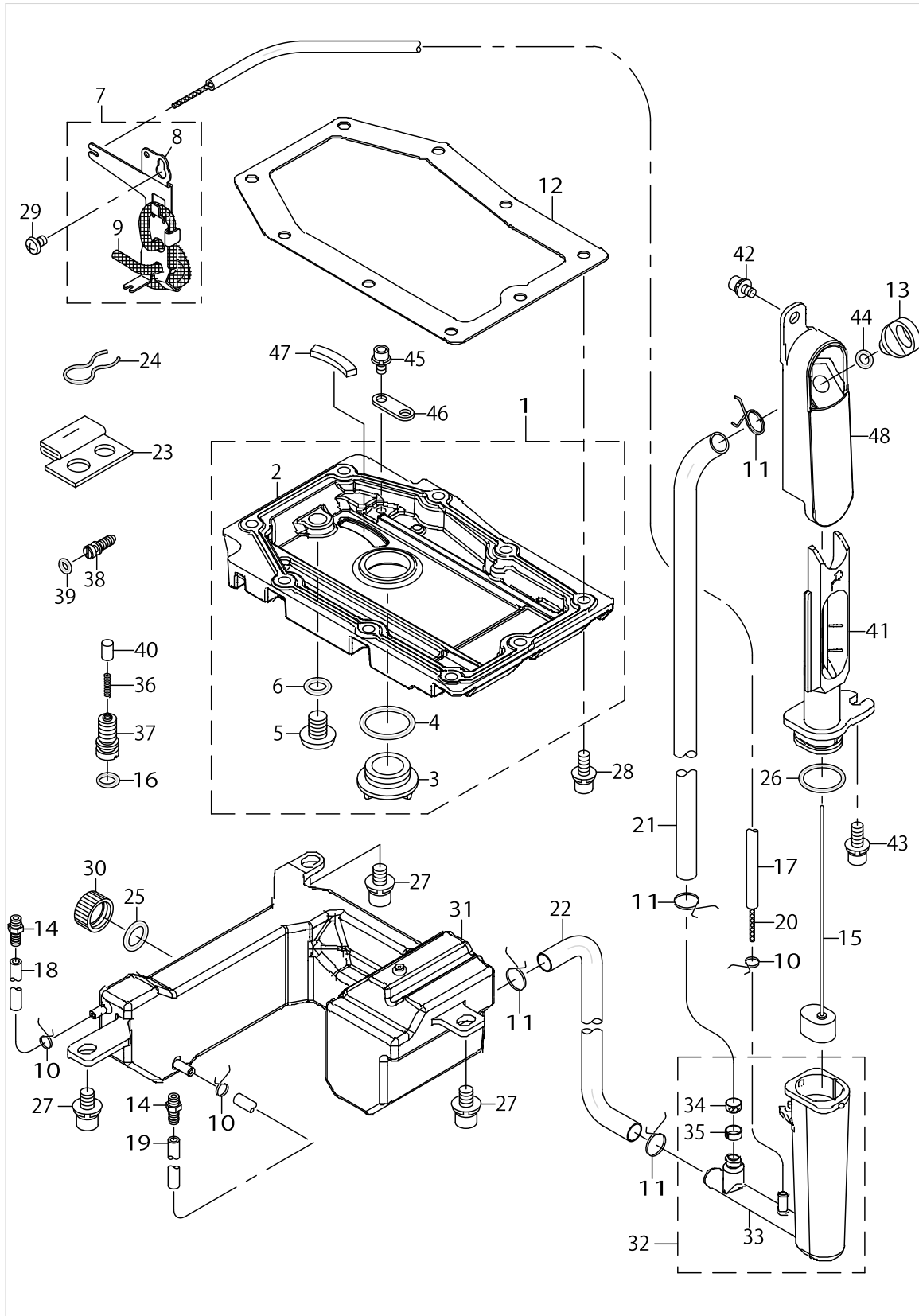
OIL LUBRICATION COMPONENTS



OIL LUBRICATION COMPONENTS

No.	Supply Code	Parts No.	Replacement	Parts name	Remarks	Choice	Step	Level	Cons	Qty	Rep. QTY
1		40037180		GEAR_BOX_COVER_ASM.						1	
2	R	40026286	40037180	GEAR BOX COVER				*		1	1.00
3		40034246		OIL_SIGHT_WINDOW				*		1	
4		RO195240100		RUBBER RING				*		1	
5	R	13171004	SM0081001SD	DRAIN SCREW				*		1	1.00
6		13170105		RUBBER RING				*		1	
7		23629256		OIL WICK SUPPORT ASM.						1	
8	R	23629207	23629256	OIL WICK SUPPORT				*		1	1.00
9		23629702		OIL WICK				*		0.25	
10		23629306		PIPE STOPPER A						3	
11		23629405		PIPE STOPPER B						4	
12		40037166		GEAR BOX PACKING						1	
13		40000344		LUBRICATING INLET CAP						1	
14		SQ2050453MZ		CONNECTING SCREW						2	
15		40042048		FLOATER_ASM						1	
16		RO068190100		RUBBER RING						1	
17		23630007		TUBE						.57	
18		23630007		TUBE						.08	
19		23630007		TUBE						.11	
20		CQ200000001		OIL WICK						.75	
21		23630106		TUBE B						.21	
22		23630106		TUBE B						.175	
23		40075404		FACE FELT ASM.						1	
24		22925101		OIL FELT PRESSER						1	
25		RO098240100		RUBBER RING						1	
26		RO172180100		RUBBER RING						1	
27		SL6061292TN		SCREW						3	
28		SL6051492TN		BOLT						9	
29		SM5040655SN		SCREW						1	
30		40013595		OIL_EXIT_CAP						1	
31		40037129		OIL_TANK						1	
32		40042642		FLOATER CASE ASM.						1	
33		40037147		FLOATER CASE				*		1	
34	R	23630403	23630650	OIL FILTER				*		1	1.00
35	R	23630502	23630650	OIL FILTER STOPPER				*		1	1.00
36		23628902		PLUNGER SPRING						1	
37		40038328		PLUNGER SCREW						1	
38		40037502		OIL ADJUSTING SCREW						1	
39		RO037180100		RUBBER RING						1	
40		23628803		PLUNGER						1	
41		40037148		FLOATER CASE GUIDE						1	
42		SL6040892TN		BOLT						1	
43		SL6051492TN		BOLT						1	
44		RO048190100		RUBBER RING						1	
45		SL6040892TN		BOLT						1	
46		40024644		MAGNET WASHER						1	

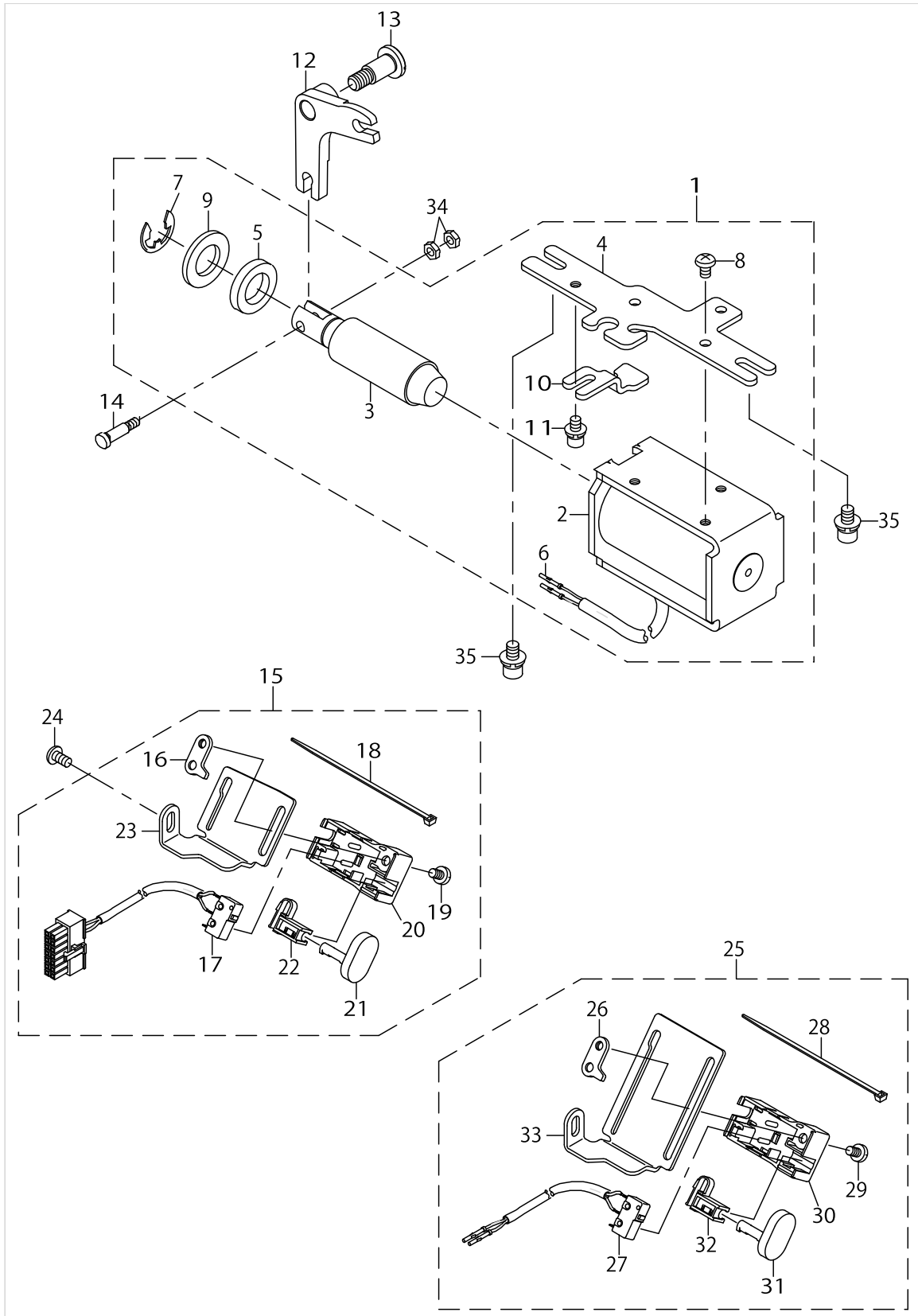
OIL LUBRICATION COMPONENTS



OIL LUBICATION COMPONENTS

No.	Supply Code	Parts No.	Replacement	Parts name	Remarks	Choice	Step	Level	Cons	Qty	Rep. QTY
47		23604705		MAGNET BASE PM						1	
48		40037145		FLOATER SIGHT WINDOW						1	

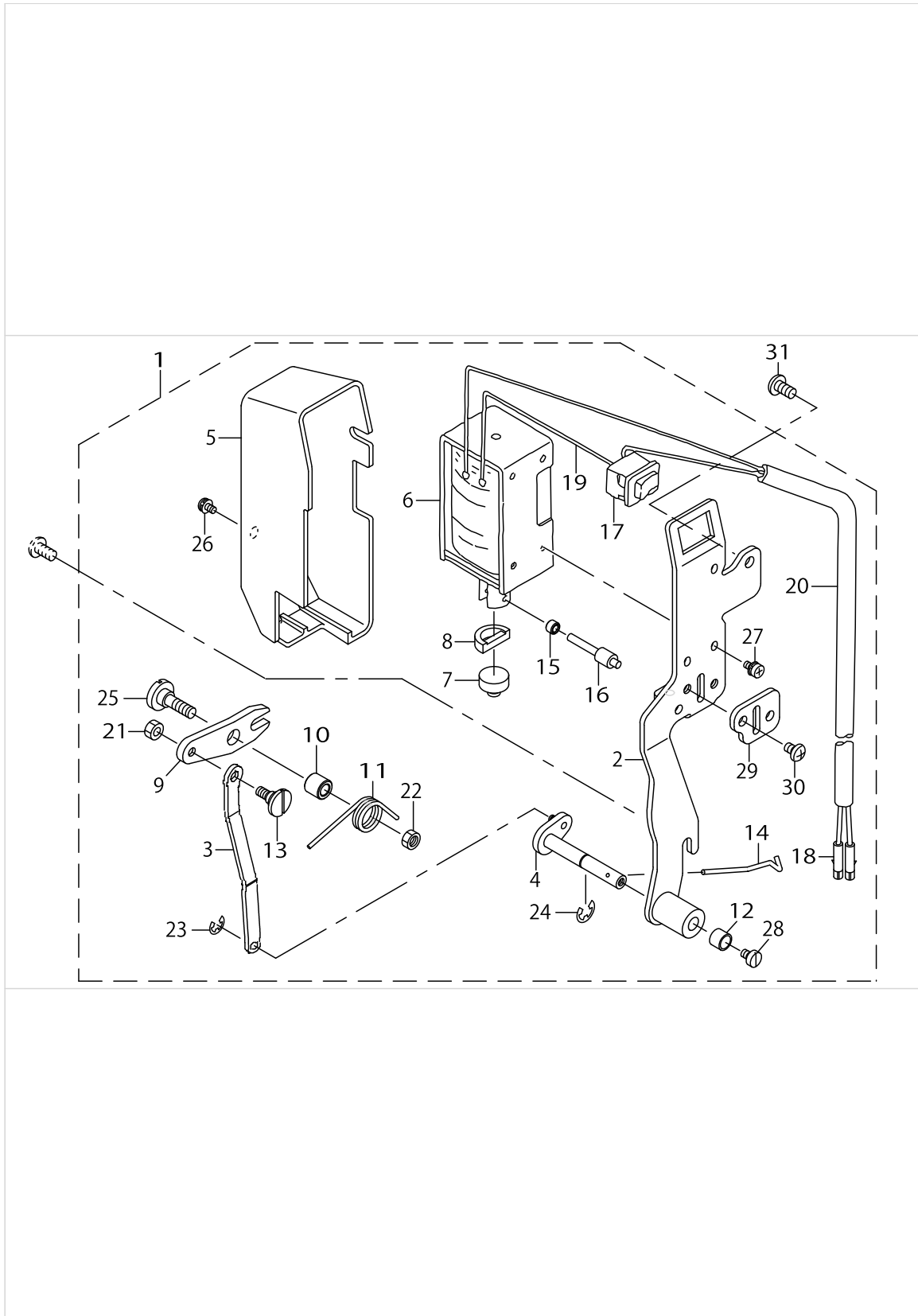
AUTOMATIC REVERSE FEED COMPONENTS



AUTOMATIC REVERSE FEED COMPONENTS

No.	Supply Code	Parts No.	Replacement	Parts name	Remarks	Choice	Step	Level	Cons	Qty	Rep. QTY
1		40040518		REVERSE FEED SOLENOID ASM.						1	
2	R	40040519	40040518	REVERSE FEED SOLENOID				*		1	1.00
3	R	23631104	40083305	REVERSE FEED SOLENOID PLUNGER				*		1	1.00
4		40027156		REVERSE FEED SOLENOID BASE				*		1	
5		D2468555B00		RUBBER PLUNGER				*		1	
6		HK03464000B		PIN CONTACT				*		2	
7		RE1200000K0		E-RING 12				*		1	
8		SM4050855SP		SCREW				*		3	
9		WP1703001SC		WASHER 17X30X3				*		1	
10		40064072		CONDENSE STOPPER				*		1	
11		SL6051092TN		BOLT				*		1	
12		40026290		REVERSE FEED ARM						1	
13		SD1001506TP		SHOULDER SCREW D=10 H=15						1	
14		22962906		PLUNGER ARM PIN						1	
15		23631757		REVERSE FEED SWITCH ASM.						1	
16		23632102		REVERSE FEED SWITCH BASE GUIDE				*		1	
17	R	23632359	23631757	REVERSE FEED CORD ASM.				*		1	1.00
18		EA9500B0100		CABLE BAND				*		1	
19		SS7110740TP		SCREW 11/64-40 L=7				*		1	
20		23631708		REVERSE FEED SWITCH COVER				*		1	
21		23631807		REVERSE FEED SWITCH SHAFT				*		1	
22		23631906		REVERSE FEED SWITCH SUPPORT				*		1	
23	R	23632003	23631757	REVERSE FEED SWITCH BASE				*		1	1.00
24		SM4051055SP		SCREW						1	
25		23632656		OPTION SWITCH ASM.	OPTIONAL PARTS					1	
26		23632102		REVERSE FEED SWITCH BASE GUIDE				*		1	
27		23632250		REVERSE FEED CORD ASM.				*		1	
28		EA9500B0100		CABLE BAND				*		1	
29		SS7110740TP		SCREW 11/64-40 L=7				*		1	
30		23631708		REVERSE FEED SWITCH COVER				*		1	
31		23631807		REVERSE FEED SWITCH SHAFT				*		1	
32		23631906		REVERSE FEED SWITCH SUPPORT				*		1	
33		23632607		OPTION SWITCH BASE				*		1	
34		NS6110350SP		NUT 11/64-40						2	
35		SL6061292TN		SCREW						2	

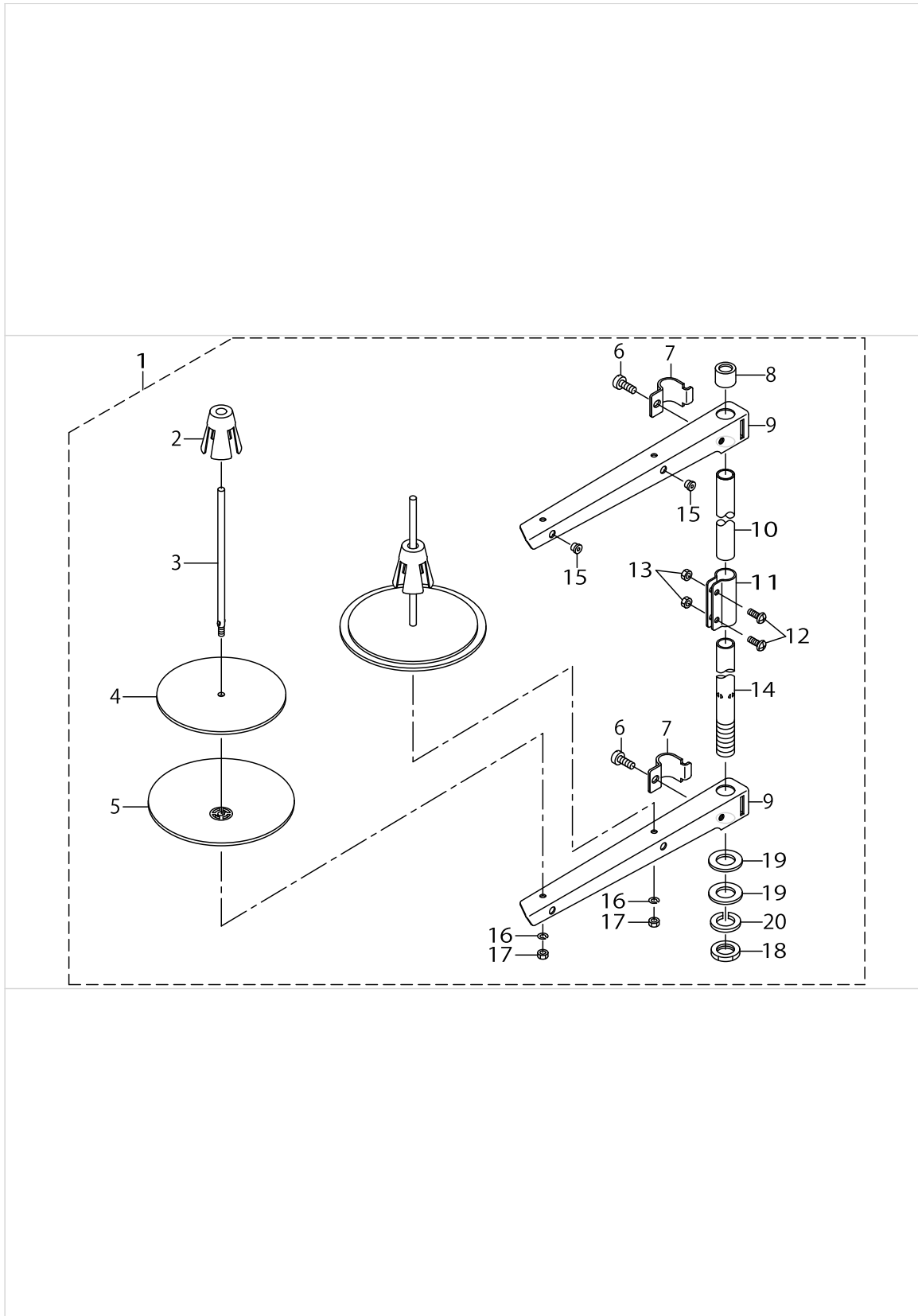
WIPER COMPONENTS (FOR DDL-9000A-**-WB)



WIPER COMPONENTS (FOR DDL-9000A-**-WB)

No.	Supply Code	Parts No.	Replacement	Parts name	Remarks	Choice	Step	Level	Cons	Qty	Rep. QTY
1		40077866		WIPER ASM.						1	
2		40077853		WIPER BASE ASM.				*		1	
3		23633209		WIPER LINK B				*		1	
4		23633357		WIPER SHAFT ASM.				*		1	
5		22955504		WIPER COVER				*		1	
6	R	11110301	40106936	WIPER SOLENOID				*		1	1.00
7		22955900		WIPER RUBBER A				*		1	
8		22956007		WIPER RUBBER B				*		1	
9		22956106		WIPER LINK A				*		1	
10		22956205		WIPER HINGE SCREW COLLAR				*		1	
11		22956304		WIPER SPRING				*		1	
12		22956809		WIPER COLLAR				*		1	
13		22956908		WIPER LINK B HINGE SCREW				*		1	
14		22957005		WIPER				*	☆	1	
15		22957203		WIPER LINK COLLAR				*		1	
16		40077852		WIPER SOLENOID SHAFT				*		1	
17		HA000590000		POWER SWITCH				*		1	
18		HK03464000B		PIN CONTACT				*		2	
19		HW200390000		ELECTRIC WIRE				*		0.04	
20		HW500070000		2-CORE CABTYRE CORD				*		1.3	
21		NS6090310SP		NUT 9/64-40				*		1	
22		NS6110310SP		NUT 11/64-40				*		1	
23		RE0250000K0		E-RING 2.5				*		1	
24		RE0500000K0		E-RING				*		1	
25		SD0650321TP		HINGE SCREW D=6.5 H=3.2				*		1	
26		SL4030631SC		SCREW M3X6				*		1	
27		SL4030641SE		SCREW				*		3	
28		SS6090540SP		SCREW 9/64-40 L= 5.0				*		1	
29		40077851		WIPER SOLENOID SHAFT GUIDE				*		1	
30		SS4110615SP		SCREW 11/64-40 L=6				*		2	
31		SM4051055SP		SCREW				*		1	

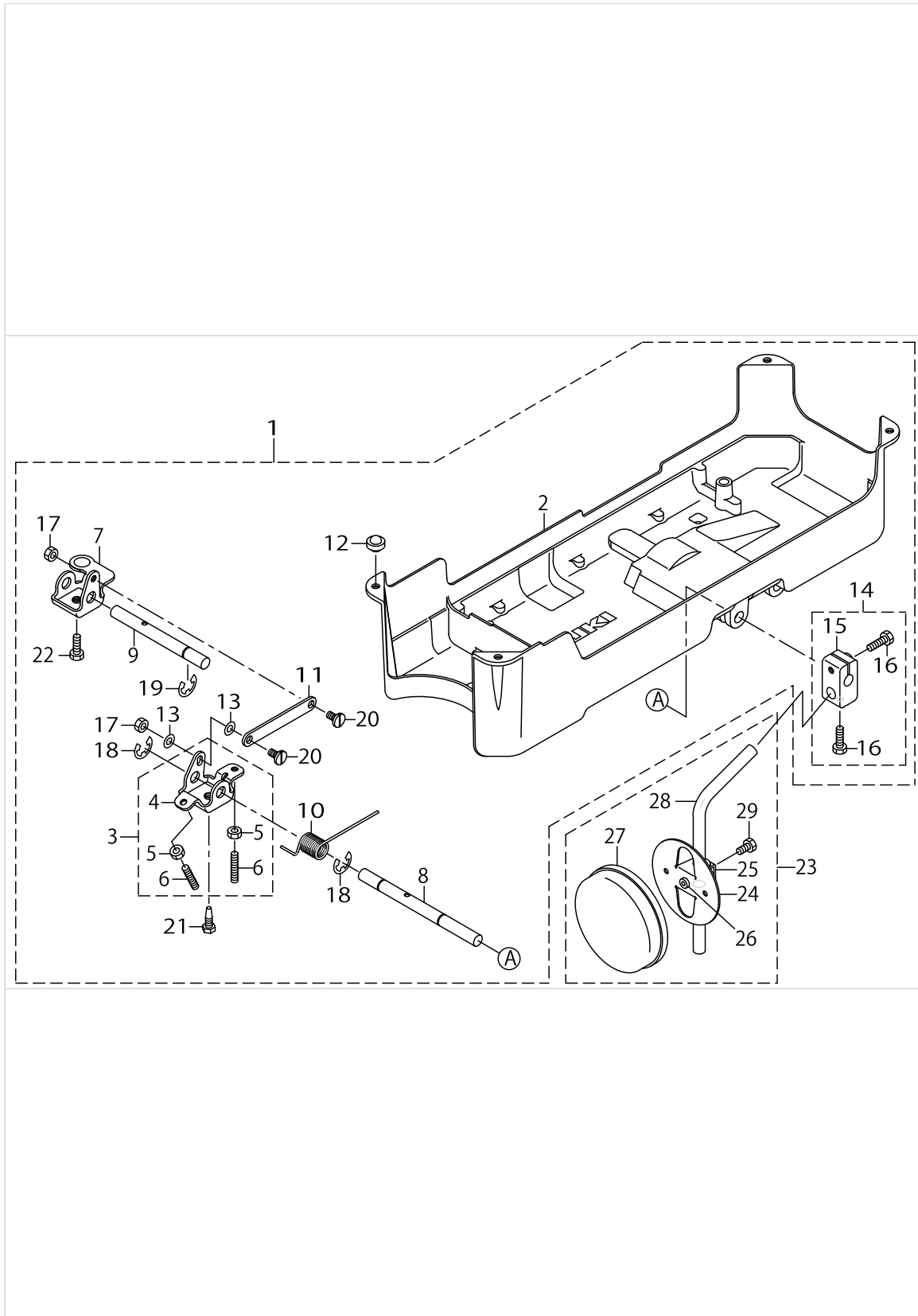
THREAD STAND COMPONENTS



THREAD STAND COMPONENTS

No.	Supply Code	Parts No.	Replacement	Parts name	Remarks	Choice	Step	Level	Cons	Qty	Rep. QTY
1	R	22930358	40096354	THREAD STAND ASM.						1	1.00
2	R	22931109	40085791	SPOOL RETAINER				*		2	1.00
3	R	22931000	40085790	SPOOL PIN				*		2	1.00
4		22930903		SPOOL REST CUSHION				*		2	
5		22930804		SPOOL REST				*		2	
6		SM6061610SC		SCREW M6 L=16				*		2	
7	R	22930705	40096354	THREAD GUIDE ARM JOINT				*		2	1.00
8		22931406		SPOOL REST ROD RUBBER CAP				*		1	
9	R	22930507	40096354	SPOOL REST ARM				*		2	1.00
10	R	22930408	40096354	SPOOL REST ROD, UPPER				*		1	1.00
11	R	22931307	40096354	SPOOL REST ROD JOINT				*		1	1.00
12		SM4051405SE		SCREW M5 L=14				*		2	
13		NM6050001SE		NUT M5				*		2	
14	R	22930309	40096354	SPOOL REST ROD, LOWER				*		1	1.00
15		22931208		THREAD GUIDE				*		2	
16		WS0510002KN		SPRING WASHER				*		2	
17		NM6050001SE		NUT M5				*		2	
18		NM6160511SE		NUT M16X1.5				*		1	
19		WP1612616SE		WASHER 16X30X2.6				*		2	
20	R	WS1643202KR	WP1612616SE	SPRING WASHER		A		*		1	2.00
20	R	WS1643202KR	40085796	SPRING WASHER		A		*		1	2.00

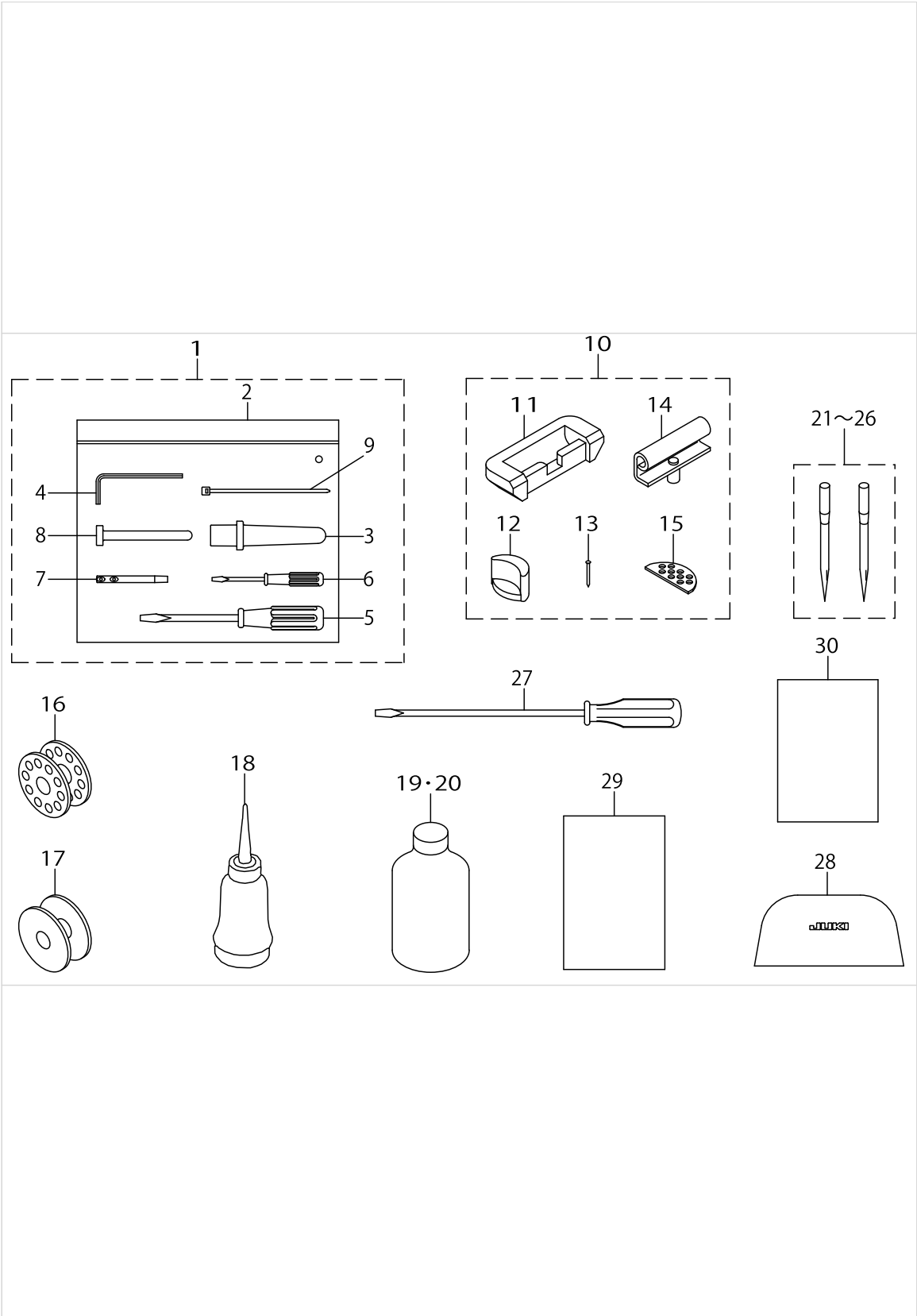
UNDER COVER COMPONENTS



UNDER COVER COMPONENTS

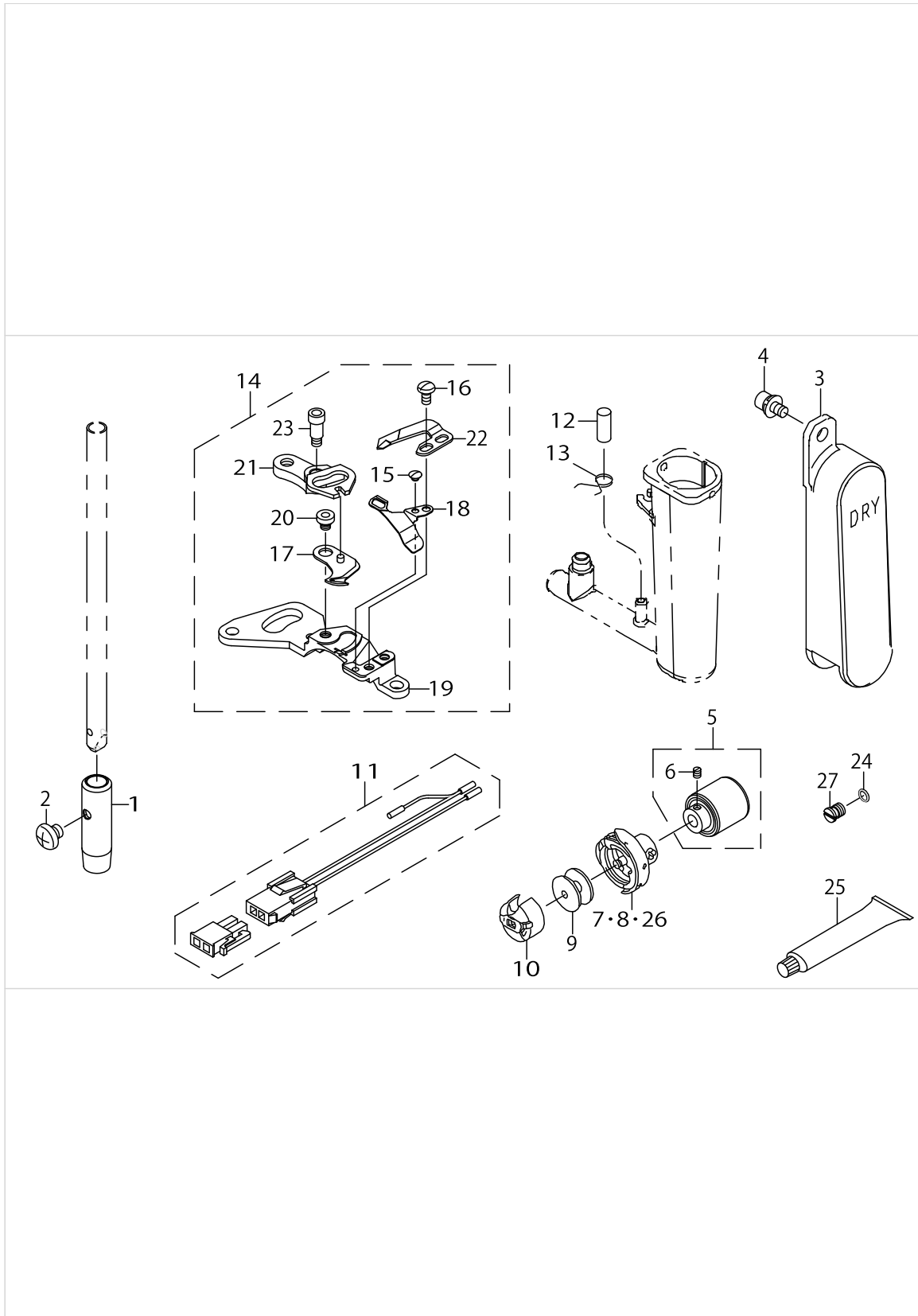
No.	Supply Code	Parts No.	Replacement	Parts name	Remarks	Choice	Step	Level	Cons	Qty	Rep. QTY
1		40062321		UNDER COVER ASM.						1	
2	R	23639008	40062321	UNDER COVER				*		1	1.00
3		23639156		BRACKET ASM.				*		1	
4	R	23639107	23639156	BRACKET				*		1	1.00
5		NM6060001SE		NUT M6				*		2	
6		SM8063012TR		SCREW M6 L=30				*		2	
7		23639206		CONNECTING ROT				*		1	
8		23639305		KNEE PRESS ROD				*		1	
9		23639404		SHAFT				*		1	
10		23639503		SPRING				*		1	
11		23639602		CONNECTING ROD				*		1	
12		B1116210D00		FRAME SUPPORT RUBBER				*		4	
13		WP0650876SD		WASHER 6.5X13X0.8				*		2	
14		22932453		BRACKET ASM.				*		1	
15	R	22932404	22932453	BRACKET				*		1	1.00
16	R	SM9062053SR	22934707	SCREW M6 L=20				*		2	1.00
17		NS6150310SP		NUT 15/64-28				*		2	
18		RE1000000K0		E-RING 10				*		2	
19		RE1000000K0		E-RING 10				*		1	
20		SD0720331SP		HINGE SCREW D= 7.24 H= 3.3				*		2	
21		SM9061853SR		SCREW M6 L=17.5				*		1	
22		SM9061853SR		SCREW M6 L=17.5				*		1	
23		22934251		KNEE PAD PLATE ASM.				*		1	
24		22934202		KNEE PAD PLATE				*		1	
25		22934301		KNEE PAD PLATE SUPPORT				*		1	
26		22934400		KNEE PAD PLATE RUBBER				*		1	
27		22934509		KNEE PAD PLATE COVER				*		1	
28		22934608		KNEE PAD UPRIGHT SHAFT				*		1	
29		SM9061203SE		SCREW M6 L=12				*		1	

ACCESSORIE PART COMPONENTS



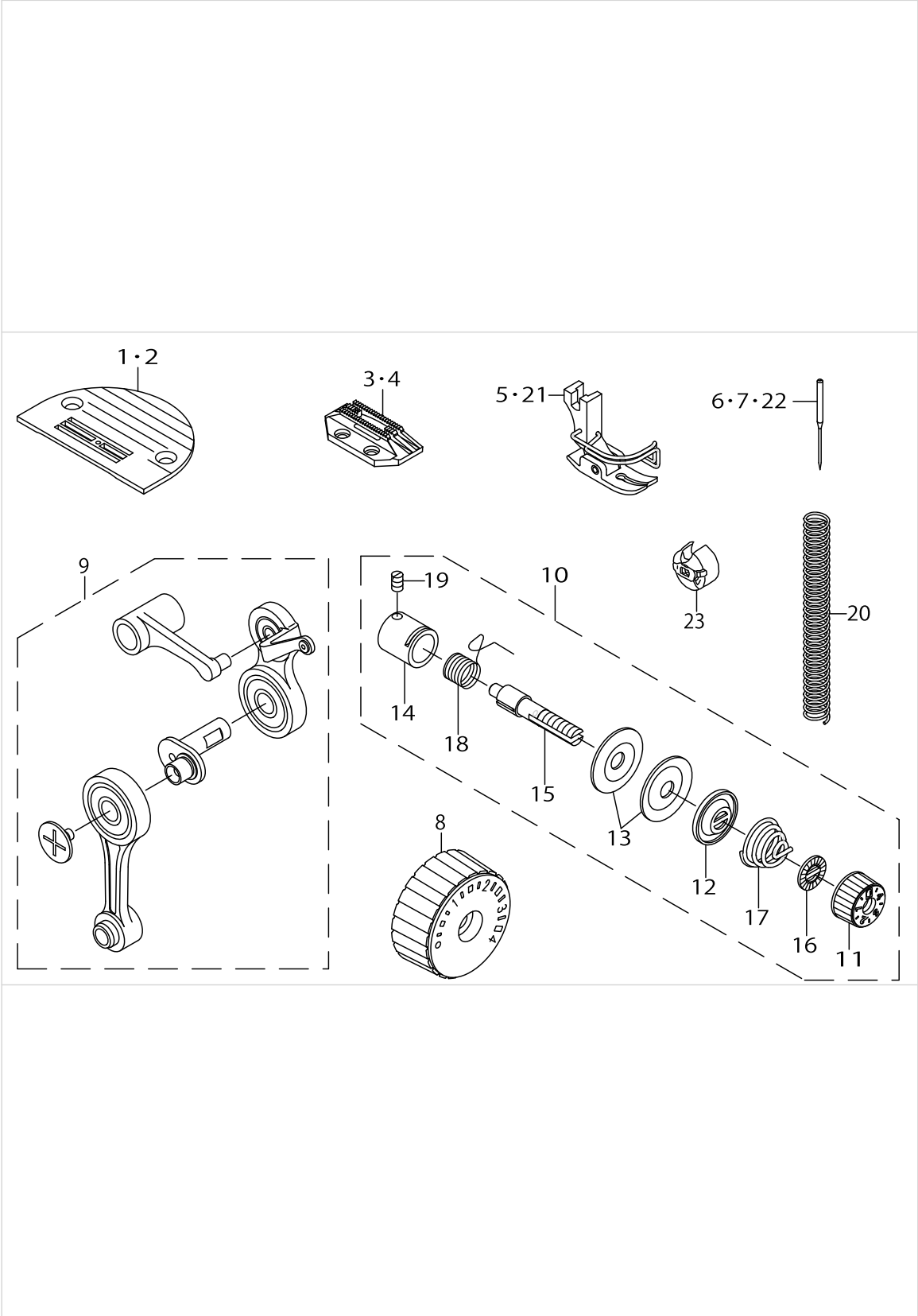
ACCESSORIE PART COMPONENTS

No.	Supply Code	Parts No.	Replacement	Parts name	Remarks	Choice	Step	Level	Cons	Qty	Rep. QTY
1		40037484		ACCESSORIE BAG ASM.						1	
2		22932800		ACCESSORIE BAG				*		1	
3		22931604		FRAME SUPPORT BAR				*		1	
4		40055591		HEXAGONAL WRENCH KYE				*		1	
5		22933105		SCREW DRIVER,MIDDLE				*		1	
6		22933204		SCREW DRIVER,SMALL				*		1	
7		22958300		NEEDLE THREAD GUIDE PIN				*		1	
8		23639701		KNEE LIFTER PRESSER ROD				*		1	
9		HX000430000		CLIP				*		1	
10		22958052		RUBBER HINGE ASM.						1	
11	R	22926000	22958052	RUBBER CUSHION				*		2	1.00
12	R	22958003	11075900	FRAME BUBBER CUSHION				*		2	1.00
13	D	22926208		NAIL				*		8	
14	R	22926356	22958052	HINGE COMPL.				*		2	1.00
15	R	22926505	D8226555E00	WASHER				*		2	1.00
16	R	B9117012000	22932909	BOBBIN	VARIOUS NOS.FOR DESTINATIONS					1	1.00
17	R	B9117552A00	22964001	BOBBIN	VARIOUS NOS.FOR DESTINATIONS					1	1.00
18		B91210120A0		OILER ASM.						1	
19		MDFRX1600C0		DEFRIX OIL NO.1(600CC)	VARIOUS NOS.FOR DESTINATIONS				☆	1	
20	R	MML007600CA	MDFRX1600C0	JUKI MACHINE OIL 7	VARIOUS NOS.FOR DESTINATIONS				☆	1	1.00
21		MDB100B1100		NEEDLE DBX1 #11	VARIOUS NOS.FOR DESTINATIONS					1	
22		MDB100B0900		NEEDLE DBX1 #9	VARIOUS NOS.FOR DESTINATIONS					1	
23		MDB100B2100		NEEDLE DBX1 #21	VARIOUS NOS.FOR DESTINATIONS					1	
24		MC200500750		NEEDLE 134 NM75	VARIOUS NOS.FOR DESTINATIONS					1	
25		MC200501300		NEEDLE 134 NM130	VARIOUS NOS.FOR DESTINATIONS					1	
26		MC200500650		NEEDLE 134 NM65	VARIOUS NOS.FOR DESTINATIONS					1	
27		22933006		SCREW DRIVER,LARGE						1	
28	R	40070090	40135803	HEAD COVER						1	1.00
29		40064984		DDL-9000A SETUP DOCUMENT						1	
30		CM600100201		WEEE INFORMATION SHEET	VARIOUS NOS.FOR DESTINATIONS					1	



EXCLUSIVE PART FOR DDL-9000A-D*,DDL-9000A-M*

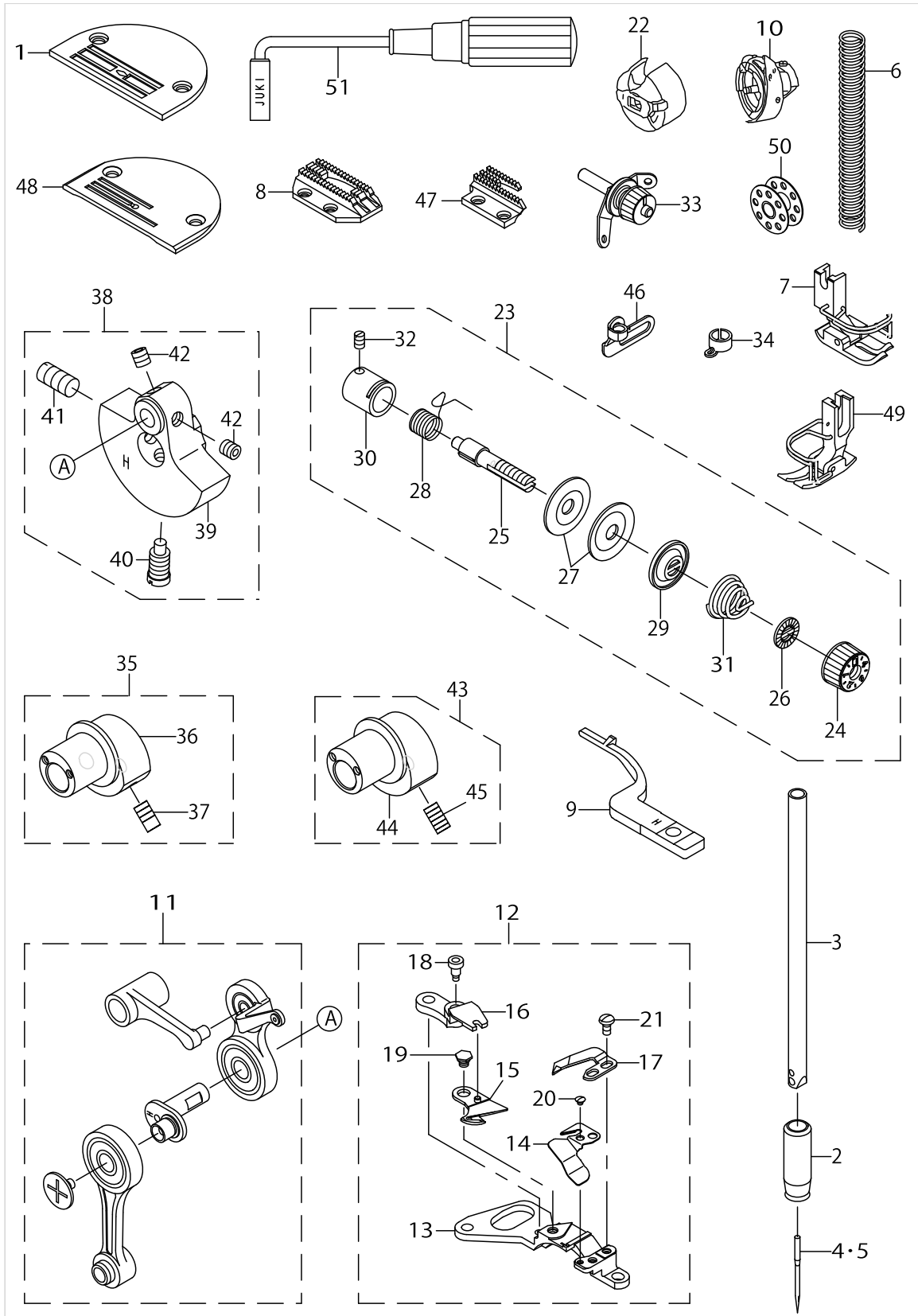
No.	Supply Code	Parts No.	Replacement	Parts name	Remarks	Choice	Step	Level	Cons	Qty	Rep. QTY
1		40036347		NEEDLE BAR LOWER METAL B						1	
2		SM4050501SC		SCREW M5X0.8 L=5						1	
3		40037146		FLOATER SIGHT WINDOW D	FOR DDL-9000A-D*					1	
4		SL6040892TN		BOLT	FOR DDL-9000A-D*					1	
5		22889851		HOOK DRIVING SH-AFT BEARING ASM	FOR DDL-9000A-D*					1	
6		SS6110420TP		SCREW 11/64-40 L=4.8	FOR DDL-9000A-D*			*		2	
7		22890404		RP HOOK C	FOR DDL--9000A-D*JE				☆	1	
8		22890206		RP HOOK	FOR DDL--9000A-D*KO,SH				☆	1	
9	R	B9117552A00	22964001	BOBBIN					☆	1	1.00
10		22896252		BOBBIN CASE ASM.	FOR DDL-9000A-D*				☆	1	
11		40050581		JOINT_CABLE_ASM	FOR DDL-9000A-D*					1	
12		23540305		FLOATER CASE CAP	FOR DDL--9000A-M*					1	
13		23629306		PIPE STOPPER A	FOR DDL--9000A-M*					1	
14		40050586		KNIFE UNIT D	FOR DDL-9000A-D*					1	
15		SS2060210SP		SCREW 3/32-56 L=2.3				*		1	
16		SS4080620TP		SCREW 1/8-44 L=6				*		2	
17		11040052		MOVING KNIFE ASM.				*		1	
18		40050588		THREAD GUIDE FOR KNIFE D				*	☆	1	
19		22947907		KNIFE MOUNTING BASE				*		1	
20		11040409		MOVING KNIFE HINGE SCREW				*		1	
21		22896005		FORKED BASE FOR KNIFE				*		1	
22		22895908		COUNTER KNIFE				*	☆	1	
23		SD0460703TP		HINGE SCREW D=4.6 H=7				*		1	
24		RO036080200		RUBBER RING	OPTIONAL PARTS					1	
25		40006323		JUKI GREASE A TUBE	OPTIONAL PARTS					1	
26		22890305		RP HOOK S	FOR DDL--9000A-D*ST					1	
27		11079506		FRONT SCREW	OPTIONAL PARTS					1	



EXCLUSIVE PART FOR DDL-9000A-*A

No.	Supply Code	Parts No.	Replacement	Parts name	Remarks	Choice	Step	Level	Cons	Qty	Rep. QTY
1		11001906		THROAT PLATE K	FOR KO					1	
2		B110901210B		THROAT PLATE (I)	FOR ST,JE,SH					1	
3		B1613012100		FEED DOG I	FOR ST,JE,SH					1	
4		D1613155W00		FEED DOG W	FOR KO					1	
5		D1524555DBB		PRESSER FOOT ASM.	FOR ST,JE,KO					1	
6		MDB100B0900		NEEDLE DBX1 #9	FOR ST,KO				☆	1	
7		MC200500650		NEEDLE 134 NM65	FOR JE				☆	1	
8		40050584		FEED DIAL 4						1	
9		40037439		THREAD TAKE UP COMP.A						1	
10		40037479		THREAD TENSION DISK ASM.A						1	
11		23626005		THREAD TENSION NUT				*		1	
12		B3132552000		THREAD TENSION DISK PRESSER				*		1	
13	R	B3126012000	22921506	THREAD TENSION DISK				*		2	1.00
14		40024845		TENSION POST SOCKET ASM				*		1	
15		B3115552000		TENSION POST				*		1	
16		B3120125000		ROTATING STOPPER				*		1	
17		D3129555D00		THREAD TENSION SPRING				*		1	
18		D3128555D00		TAKE-UP SPRING				*	☆	1	
19		SS8090670SP		SCREW 9/64-40L=5.5				*		1	
20		11162104		SPRING						1	
21		B15240120BA		PRESSER FOOT ASM.	FOR SH					1	
22		MDB100B1100		NEEDLE DBX1 #11	FOR SH					1	
23		11038759		BOBBIN CASE ASM.						1	

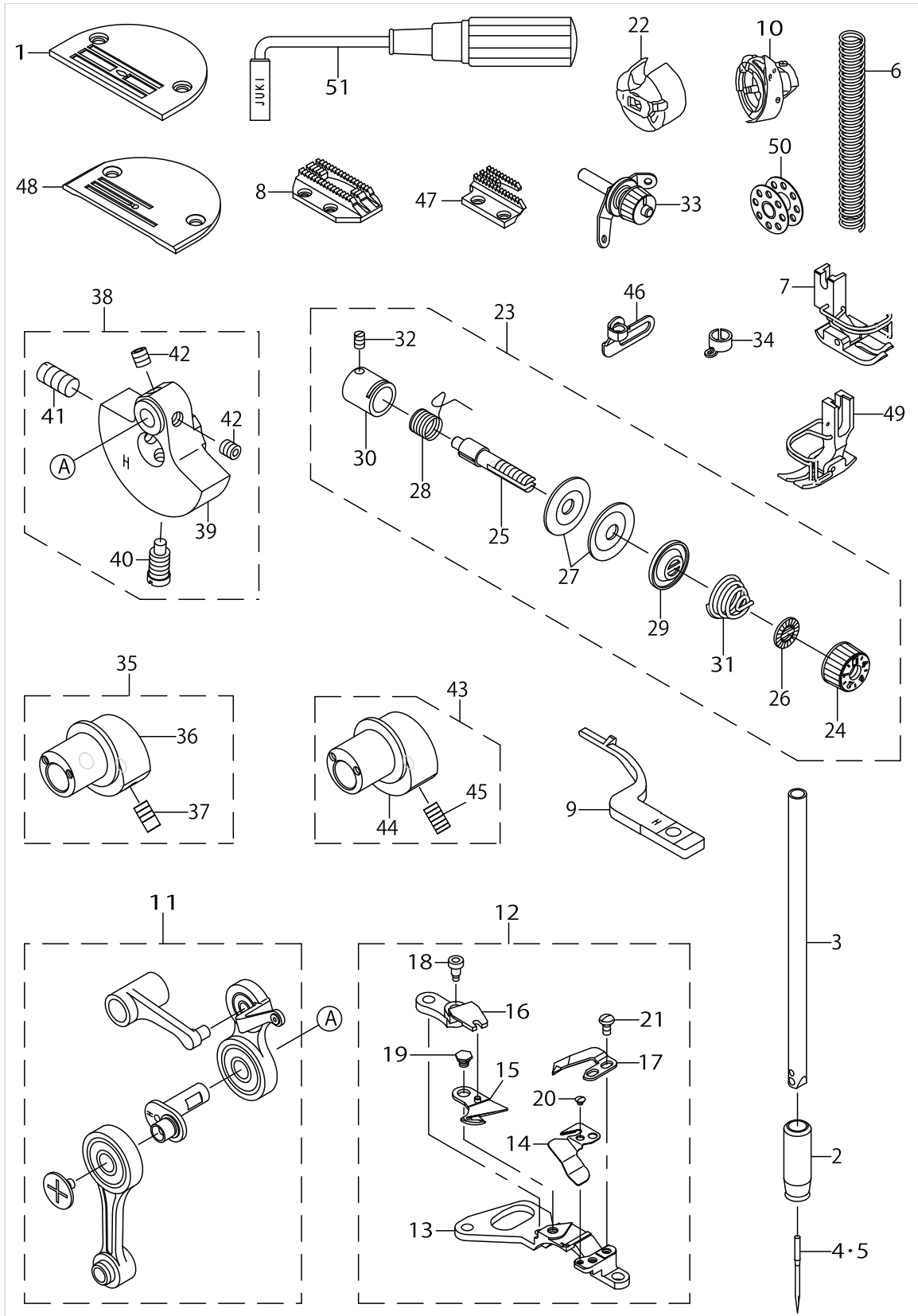
EXCLUSIVE PART FOR DDL-9000A-SH-WB,0B



EXCLUSIVE PART FOR DDL-9000A-SH-WB,0B

No.	Supply Code	Parts No.	Replacement	Parts name	Remarks	Choice	Step	Level	Cons	Qty	Rep. QTY
1		11400801		THROAT PLATE J	FOR ST,JE,KO					1	
2	R	23645609	40107708	NEEDLE BAR METAL,LOWER H						1	1.00
3		40061767		NEEDLE BAR H						1	
4		MDB100B2100		NEEDLE DBX1 #21	FOR ST,SH,KO					1	
5		MC200501300		NEEDLE 134 NM130	FOR JE					1	
6		B1505552000A		PRESSER SPRING						1	
7	R	D1524555EBL	D1524555ECL	PRESSER FOOT ASM.	FOR ST,JE,KO					1	1.00
8		11403003		FEED J	FOR ST,JE,KO					1	
9	R	40068999	40089610	INNERHOOK HOLDER						1	1.00
10		11092251		LUBRICATING BOBBIN ASM.					☆	1	
11		40055604		THREAD TAKE UP COMP.H						1	
12		40050587		KNIFE UNIT H						1	
13		11095502		KNIFE MOUNT BASE				*		1	
14		40044190		THREAD_GUIDE_FOR_KNIFE-H				*	☆	1	
15		11409257		MOVING KNIFE J ASM.				*	☆	1	
16		40009894		FORKED BASE FOR KNIFE				*		1	
17		40050589		FIX KNIFE H				*	☆	1	
18		SD0460703TP		HINGE SCREW D=4.6 H=7				*		1	
19		SD0500131TP		HINGE SCREW D=5 H=1.25				*		1	
20		SS2060210SP		SCREW 3/32-56 L=2.3				*		1	
21		SS4080620TP		SCREW 1/8-44 L=6				*		2	
22		11038759		BOBBIN CASE ASM.						1	
23		40037313		THREAD TENSION DISK ASM H						1	
24		23626005		THREAD TENSION NUT				*		1	
25		B3115552000		TENSION POST				*		1	
26		B3120125000		ROTATING STOPPER				*		1	
27	R	B3126012000	22921506	THREAD TENSION DISK				*		2	1.00
28	R	B3128012000	22921605	TAKE-UP SPRING				*	☆	1	1.00
29		B3132552000		THREAD TENSION DISK PRESSER				*		1	
30		40024845		TENSION POST SOCKET ASM				*		1	
31		B3114232000		THREAD TENSION SPRING				*		1	
32		SS8090670SP		SCREW 9/64-40 L=5.5				*		1	
33	R	11073954	22963458	THREAD TENSION ASM.						1	1.00
34		40024124		NEEDLE BAR THREAD GUIDE						1	
35		23619059		VERTICAL FEED CAM H ASM.						1	
36	R	23619000	23619059	VERTICAL FEED CAM H				*		1	1.00
37		SS8151150TP		SCREW 15/64-28 L=10.5				*		2	
38		40055058		ASSY COUNTER WEIGHT H						1	
39		40053411		COUNTER WEIGHT H				*		1	
40		40004171		COUNTER_WEIGHT_SCREW				*		1	
41		SM8081652TP		SCREW M8 L=16				*		1	
42		SM80606A2TP		L=6SCREW M6 L=6				*		2	
43		40069369		VERTICAL FEED CAM ASM. 2.0	OPTIONAL PARTS					1	
44		40069370		VERTICAL FEED CAM 2.0				*		1	
45		SS8151150TP		SCREW 15/64-28 L=10.5				*		2	
46		40063697		ARM THREAD GUIDE A H						1	

EXCLUSIVE PART FOR DDL-9000A-SH-WB,0B



EXCLUSIVE PART FOR DDL-9000A-SH-WB,0B

No.	Supply Code	Parts No.	Replacement	Parts name	Remarks	Choice	Step	Level	Cons	Qty	Rep. QTY
47		11062601		FEED DOG	FOR SH					1	
48		11062007		THROAT PLATE, A	FOR SH					1	
49		40064839		PRESSER FOOT ASM	FOR SH					1	
50	R	B9117012000	22932909	BOBBIN						1	1.00
51		J1063000000		WRENCH	OPTIONAL PARTS					1	

TABLE & STAND COMPONENTS

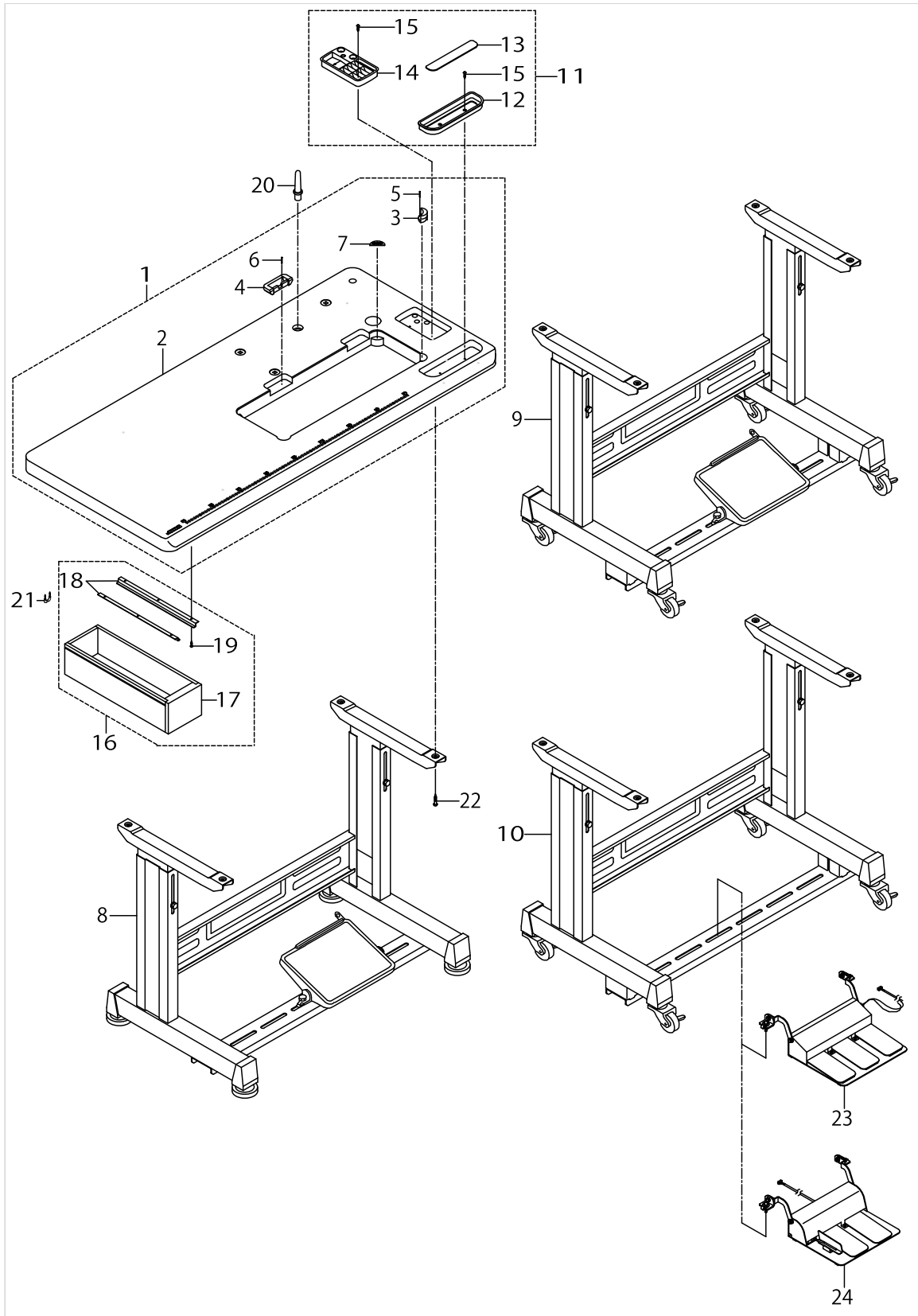
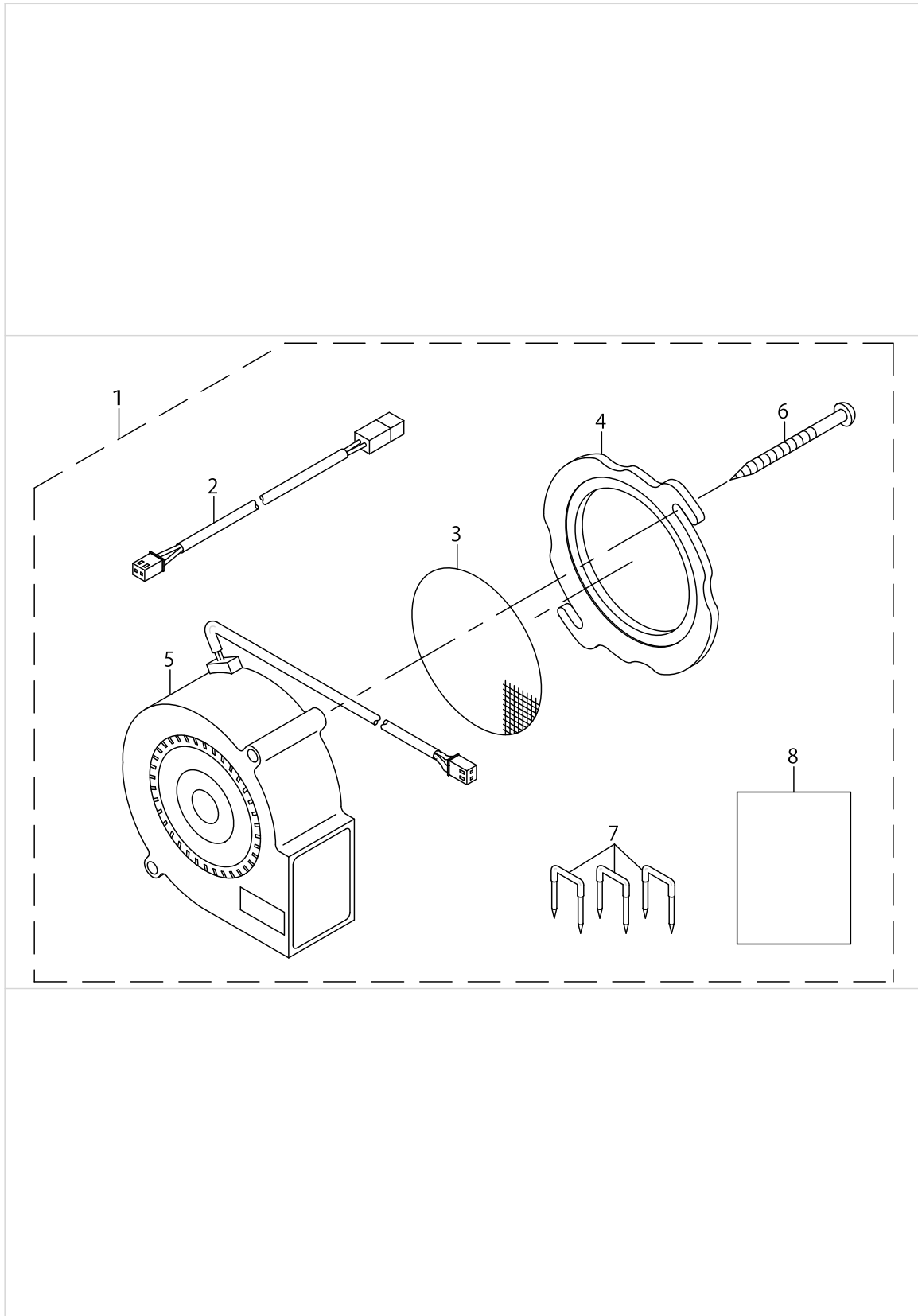


TABLE & STAND COMPONENTS

No.	Supply Code	Parts No.	Replacement	Parts name	Remarks	Choice	Step	Level	Cons	Qty	Rep. QTY
1		23642259		TABLE ASM.						1	
2	R	23642200	23642259	TABLE				*		1	1.00
3		11075900		RUBBER SPACER				*		2	
4		11075801		RUBBER SPACER				*		2	
5		B8210012000		CUSHION SET NAIL				*		4	
6		B8210012000		CUSHION SET NAIL				*		4	
7		D8226555E00		FRAME RUBBER CUSHION A				*		2	
8		11157567		T LEG JUNCTION	FOR JT-D950					1	
9		11159365		T STAND JUNCTION	FOR JT-D952					1	
10		11159357		T-STAND ASM.	FOR JT-D-95J,-D95K					1	
11		11155769		SMALL CASTINGS BOX B ASM.						1	
12		11156007		CASE				*		1	
13		11155801		CASE MAGNET				*		1	
14		11155751		CASE ASM. B				*		1	
15		SK3382001SC		WOOD SCREW D=3.8 L=20				*		4	
16		11155157		DRAWER ASM.						1	
17	R	11155108	11155157	DRAWER				*		1	1.00
18		11155207		DRAWER SUPPORT				*		2	
19		SK3311600SE		WOOD SCREW D=3.1 L=16				*		6	
20	R	11073103	22931604	RUBBER CUSHION	EXCEPT AK TYPE					1	1.00
21		D8204555D00		DRAWER STOPPER						1	
22	R	SK3513200SC	SK3513201SE	WOOD SCREW D=5.1 L=32						4	1.00
23		GPK700010A0		3-JOINT PEDAL, 70	FOR JT-D-95J,-D95K					1	
24		GPK710010A0		2-PEDAL ASM., 71	FOR JT-D-95J,-D95K					1	

SPECIAL ORDER PART



SPECIAL ORDER PART

No.	Supply Code	Parts No.	Replacement	Parts name	Remarks	Choice	Step	Level	Cons	Qty	Rep. QTY
1		40065571		ELECTRIC FAN HO- OK COOLING DEVICE						1	
2		40044065		FAN_RELAY_CABLE				*		1	
3		40064805		FAN FILTER				*		1	
4		40064806		FANCOOLINGCOVER				*		1	
5		40065564		FAN MOTOR ASSY				*		1	
6		SK3415001SE		SCREW D=4.1 L=50				*		2	
7		MA011532000		CORD STAPLE				*		3	
8		40065572		HOOK COOLING DE- VICE INSTRUCTIO				*		1	

LIST FOR INFORMATION OF CHANGE (1)

As to the place changed, refer to the corresponding Rev.No.
 When previous parts(Obsoleted part)and new parts(Added parts)are
 not interchangeable with each other:
 In this case,even obsoleted parts(D.)can be ordered with the
 obsoleted part number,so select the parts with changed dates and
 place your orders.

変更箇所は、該当Rev.No.版をご参照ください。
 部品の互換性がない変更の場合は、削除された品番でも、ご注文できます。

40042305
 No.1457-02 Rev.No.

*A:Added parts追加部品/D:Obsoleted parts削除部品/E:Erratum訂正

* D	Rev. No.	Page 頁	Ref. No.	Parts No. 品番	* A	Rev. No.	Page 頁	Ref. No.	Parts No. 品番
	01	2	9	SL-6051492-TN		02	2	9	SM-4050855-SP
						02	2	89	CM-6006001-01
						02	2	90	400-65552
						02	2	91	400-69097
						02	2	92	400-69110
						02	2	93	400-37488
						02	2	94	B1109-552-000
D	01	10	18	SM-9040600-SP	A	02	10	18	SM-9040650-TP
D	01	10	20	400-61204	A	02	10	20	400-37017
D	01	10	32	CS-111101E-SH	A	02	10	32	CS-111101C-SH
D	01	10	33	SS-8660330-SP	A	02	10	33	SS-8660610-TP
						02	10	52	400-62651
D	01	10	65	400-61190	A	02	10	65	400-61560
						02	10	66	400-61545
						02	10	67	SM-6061802-TP
						02	10	69	WT-1780011-KP
D	01	12	17	SM-4051455-SP	A	02	12	17	SM-6051400-SP
D	01	12	18	WP-0480856-SP	A	02	12	18	WP-0531000-SD
D	01	12	61	229-16605	A	02	12	61	110-15906
D	01	12	75	400-32052	A	02	12	75	400-68998
D	01	14	12	400-36996	A	02	14	12	400-71740
D	01	14	22	400-40404	A	02	14	22	400-71950
D	01	14	58	SM-4041255-SP	A	02	14	58	SM-4041055-SP
D	01	16	23	236-30304	A	02	16	23	400-75404
						02	18	10	400-64072
						02	18	11	SL-6051092-TN
D	01	19	1	236-33167	A	02	19	1	400-77866
D	01	19	2	236-33159	A	02	19	2	400-77853
D	01	19	16	229-57104	A	02	19	16	400-77852
						02	19	29	400-77851
						02	19	30	SS-4110615-SP
D	01	23	28	229-33303	A	02	22	28	400-70090
D	01	23	29	293-27806	A	02	22	29	400-64984
						02	22	30	CM-6001002-01
D	01	24	24	110-38759					
					A	02	24	21	B1524-012-0BA

LIST FOR INFORMATION OF CHANGE (2)

*	Rev. No.	Page 頁	Ref. No.	Parts No. 品番	*	Rev. No.	Page 頁	Ref. No.	Parts No. 品番
					A	02	24	22	MDB-100B1100
					A	02	24	23	110-38759
D	01	26	9	400-37405	A	02	26	9	400-68999
					A	02	26	43	400-69369
					A	02	26	44	400-69370
					A	02	26	45	SS-8151150-TP
					A	02	26	46	400-63697
					A	02	26	47	110-62601
					A	02	26	48	110-62007
					A	02	26	49	400-64839
					A	02	26	50	B9117-012-000
					A	02	26	51	J1063-000-000
					A	02	29	-	ALL PARTS - 全部

HOW TO MAKE USE OF THIS PARTS LIST

1.Explanation of codes

1)"*"mark.....means this part is changed from the previous parts book.

As to the details of the change, refer to the "List for information of change".

2)"#01".....refer to "Note" explanation at bottom of page.

2.Codes on the "Qty" column

- Each numeral indicates the number of parts required.
- "0.1" and "2.5" indicate the length (in meters) of the respective parts.

3.Parentheses mean that the corresponding part is a subpart that constructs an assembly part.

4.Dotted lines on the Figures indicate assembly parts.

5.As to the parts with marks of "☆"(consumable parts) and "◎"(optional parts)on the respective parts, it is recommended to prepare spares.

1 ."注記"欄の記号説明

1) "*"印.....前回のパーツブックに比較して今回変更された部品を意味します。

変更内容は、"変更情報リスト"を参照してください。

2) "#01".....ページ下の"注記"の説明を参照してください。

2.数量欄の数字は、個数を表し、0.1、2.5等の数値は、長さ（単位メートル）を表します。

3.数量欄の（ ）は、組部品を構成している子部品であることを意味します。

4.イラストページの-----枠は、組構成であることを意味します。

5.リストページの"☆"（消耗部品）、"◎"（オプション部品）の印がついた部品は、予備を準備しておくことをお奨めします。

NUMERICAL INDEX OF PARTS

PART NO	PAGE	REF NO.	PART NO	PAGE	REF NO.	PART NO	PAGE	REF NO.
11001906	46	1·2	22890008	24	73	22930804	38	5
11015906	24	61	22890206	44	7·8·26	22930903	38	4
11028008	4	85·86	22890305	44	7·8·26	22931000	38	3
11038650	24	68~70	22890404	44	7·8·26	22931109	38	2
11038759	46	23	22891204	10	40	22931208	38	15
11038759	48	22	22895908	44	22	22931307	38	11
11040052	26	3	22896005	44	21	22931406	38	8
11040052	44	17	22896252	44	10	22931604	42	3
11040409	26	4	22901201	2	14·15	22932404	40	15
11040409	44	20	22901250	2	12·13	22932453	40	14
11042801	28	52	22901300	2	16·17	22932800	42	2
11042850	28	50	22901805	4	81	22933006	42	27
11043304	26	41	22902506	2	30	22933105	42	5
11062007	50	48	22902704	2	14·15	22933204	42	6
11062601	50	47	22902753	2	12·13	22934202	40	24
11072204	8	25	22904106	22	23	22934251	40	23
11073103	52	20	22904155	22	22	22934301	40	25
11073954	48	33	22906309	12	47	22934400	40	26
11075801	52	4	22906408	10	30	22934509	40	27
11075900	52	3	22906457	10	29	22934608	40	28
11079506	44	27	22907406	14	15	22944508	2	21
11092251	48	10	22907802	14	22	22944508	14	34
11095502	48	13	22908008	14	8	22945414	4	62
11110301	36	6	22908552	14	24	22945463	4	61
11141355	24	68~70	22908909	14	29	22945505	4	64
11155108	52	17	22911002	22	13	22945604	4	63
11155157	52	16	22911101	22	6	22945703	4	65
11155207	52	18	22912000	20	58	22945802	4	66
11155751	52	14	22912109	20	57	22947907	26	2
11155769	52	11	22916506	24	60	22947907	44	19
11155801	52	13	22916555	24	59	22948202	26	5
11156007	52	12	22919203	26	18	22949002	26	19
11157567	52	8	22920300	14	40	22949101	26	20
11159357	52	10	22920409	16	41	22949200	26	21
11159365	52	9	22920607	4	60	22950000	26	24
11162104	46	20	22925101	30	24	22950703	26	32
11400801	48	1	22926000	42	11	22950950	28	53
11403003	48	8	22926208	42	13	22952501	20	50
11409257	48	15	22926356	42	14	22955504	36	5
13170105	30	6	22926505	42	15	22955900	36	7
13171004	30	5	22930309	38	14	22956007	36	8
22886907	10	27·28	22930358	38	1	22956106	36	9
22887004	10	27·28	22930408	38	10	22956205	36	10
22888002	24	83	22930507	38	9	22956304	36	11
22889851	44	5	22930705	38	7	22956809	36	12

NUMERICAL INDEX OF PARTS

PART NO	PAGE	REF NO.	PART NO	PAGE	REF NO.	PART NO	PAGE	REF NO.
22956908	36	13	23616204	22	20	23631708	34	30
22957005	36	14	23616600	22	33	23631757	34	15
22957203	36	15	23618101	24	47	23631807	34	31
22958003	42	12	23618309	24	52	23631906	34	32
22958052	42	10	23618606	22	45	23632003	34	23
22958300	42	7	23618705	24	78	23632102	34	26
22962906	34	14	23618804	24	79	23632250	34	27
23533904	20	54	23619000	48	36	23632359	34	17
23534506	20	59	23619059	48	35	23632607	34	33
23540305	44	12	23620008	24	56	23632656	34	25
23600505	2	4	23620156	24	57	23633209	36	3
23600703	2	6	23620206	24	58	23633357	36	4
23601305	4	84	23620354	22	34	23638109	4	73
23604010	10	1	23620404	24	74	23638208	4	74
23604705	32	47	23620503	24	54	23638307	4	75
23605207	10	10	23620701	24	62~65	23638406	4	76
23605256	10	7	23620800	24	62~65	23638554	4	77
23607302	10	24	23620909	24	62~65	23639008	40	2
23608003	10	25	23621006	24	65	23639107	40	4
23608102	10	26	23621303	24	68~70	23639156	40	3
23609001	14	1	23623903	28	63	23639206	40	7
23609308	14	12	23624505	28	48	23639305	40	8
23609357	14	5	23624554	28	47	23639404	40	9
23609456	14	6	23626005	4	50	23639503	40	10
23609605	14	7	23626005	46	11	23639602	40	11
23609704	14	14	23626005	48	24	23639701	42	8
23609803	14	13	23626104	4	69	23640006	4	47·93
23610207	14	16	23626203	10	33	23642200	52	2
23610306	14	17	23626351	16	42	23642259	52	1
23610504	16	48	23626807	16	43	23645609	48	2
23610652	16	49	23628803	30	40	26260109	8	2
23610702	16	51	23628902	30	36	26260208	8	3
23611106	16	47	23629207	30	8	26260307	8	4
23612104	18	5	23629256	30	7	26260406	8	5
23612609	18	38	23629306	30	10	26260505	8	6
23612716	18	40	23629306	44	13	26260604	8	7
23612807	18	11	23629405	30	11	26260802	8	8
23613508	18	30	23629702	30	9	26261008	8	9
23613706	18	22	23629900	4	82	26261206	8	10
23613805	20	64	23630007	18	29	26261305	8	11
23613904	18	24	23630007	30	19	26261503	8	12
23613953	18	23	23630106	30	22	26261602	8	13
23614308	18	27	23630403	30	34	26261701	8	14
23614506	22	26	23630502	30	35	40000344	30	13
23616006	22	2	23631104	34	3	40000391	22	37

NUMERICAL INDEX OF PARTS

PART NO	PAGE	REF NO.	PART NO	PAGE	REF NO.	PART NO	PAGE	REF NO.
40000392	22	38	40030786	24	84	40038328	30	37
40004171	10	4	40030790	22	44	40039078	14	3
40004171	48	40	40031608	24	81	40039708	14	38
40006323	44	25	40033393	18	3	40039946	10	22
40009894	48	16	40034246	30	3	40040202	8	24
40010434	12	46	40035589	2	37	40040203	8	26
40011144	8	15	40035855	10	38	40040264	14	2
40012032	18	6	40036343	18	35	40040370	18	8
40013595	30	30	40036344	18	34	40040407	26	23
40014837	8	16	40036347	44	1	40040499	18	36
40020454	10	18	40036433	20	61	40040508	26	40
40020455	10	19	40036706	14	32	40040518	34	1
40022407	2	88	40036995	26	11	40040519	34	2
40022407	4	88	40036997	26	36	40040545	26	38
40023021	8	1	40036998	26	34	40041161	2	2
40023022	8	17	40037002	4	71	40041393	26	16
40024124	48	34	40037003	10	2	40041470	18	21
40024644	30	46	40037005	22	15	40041473	2	33
40024843	4	49	40037006	10	16	40042048	30	15
40024845	4	57	40037007	10	15	40042079	22	10
40024845	46	14	40037008	8	30	40042642	30	32
40024845	48	30	40037017	18	20	40044065	54	2
40025729	10	3	40037018	4	72	40044189	26	6
40026272	18	2	40037129	30	31	40044190	48	14
40026274	18	16	40037141	14	19	40044857	10	9
40026275	18	28	40037144	14	20	40050219	20	47
40026277	22	5	40037145	32	48	40050220	20	48
40026278	22	31	40037146	44	3	40050221	18	44
40026281	22	16	40037147	30	33	40050265	12	48
40026282	22	36	40037148	30	41	40050581	44	11
40026286	30	2	40037158	2	1	40050582	14	39
40026287	22	41	40037166	30	12	40050583	14	21
40026288	22	43	40037180	30	1	40050584	46	8
40026290	34	12	40037188	18	1	40050585	26	1
40027156	34	4	40037191	18	15	40050586	44	14
40027581	2	34	40037192	22	1	40050587	48	12
40027582	18	26	40037313	48	23	40050588	44	18
40028112	18	31	40037359	14	18	40050589	48	17
40029398	28	62	40037365	22	4	40051473	10	12
40030333	26	15	40037370	10	37	40051474	10	13
40030335	26	14	40037439	46	9	40052819	2	3
40030338	26	13	40037479	46	10	40052933	2	45
40030339	26	33	40037484	42	1	40053172	20	55
40030342	28	61	40037488	6	47-93	40053340	20	68
40030343	26	17	40037502	30	38	40053411	48	39

NUMERICAL INDEX OF PARTS

PART NO	PAGE	REF NO.	PART NO	PAGE	REF NO.	PART NO	PAGE	REF NO.
40053450	18	43	40077851	36	29	B91210120A0	42	18
40053465	18	13	40077852	36	16	CM300200001	2	23
40053720	22	40	40077853	36	2	CM300200003	2	25
40055058	48	38	40077866	36	1	CM301300001	2	29
40055569	20	53	B1109012I0B	4	85·86	CM600100101	4	48
40055585	18	39	B1109012I0B	46	1·2	CM600100201	42	30
40055591	42	4	B1109552000	6	94	CM600600101	4	89
40055604	48	11	B1116210D00	40	12	CQ200000001	30	20
40056502	18	12	B1414555000	10	32	CS111101CSH	18	32
40056622	16	46	B1505552000A	48	6	D1524555DBB	46	5·21
40056706	26	39	B1521555000	14	23	D1524555EBL	48	7
40056721	20	45	B15240120BA	14	26	D1613155W00	46	3·4
40058504	22	9	B15240120BA	46	5·21	D1837555BAAA	24	67
40060448	22	32	B1613012I00	22	25	D2406555D0H	26	7
40060865	24	77	B1613012I00	46	3·4	D2468555B00	34	5
40060868	22	14	B3114232000	48	31	D3128555D00	46	18
40060869	18	19	B3115552000	4	51	D3129555D00	46	17
40061215	26	35	B3115552000	46	15	D5119206K0K	16	50
40061246	22	8	B3115552000	48	25	D8204555D00	52	21
40061545	20	66	B3118552F00	2	44	D8226555E00	52	7
40061560	20	65	B3120125000	4	52	EA9500B0100	4	78
40061562	2	8	B3120125000	8	29	EA9500B0100	12	50
40061767	48	3	B3120125000	46	16	EA9500B0100	34	28
40062321	40	1	B3120125000	48	26	GPK700010A0	52	23
40062651	20	52	B3126012000	4	53	GPK710010A0	52	24
40063697	48	46	B3126012000	8	27	HA000590000	36	17
40064072	34	10	B3126012000	46	13	HK03464000B	26	42
40064805	54	3	B3126012000	48	27	HK03464000B	34	6
40064806	54	4	B3128012000	4	54	HK03464000B	36	18
40064839	50	49	B3128012000	48	28	HW200390000	36	19
40064984	42	29	B3129012A00	4	55	HW500070000	36	20
40065552	6	90	B3129012A00	8	28	HX000430000	42	9
40065564	54	5	B3132552000	4	56	J1063000000	50	51
40065571	54	1	B3132552000	46	12	MAO11532000	54	7
40065572	54	8	B3132552000	48	29	MC200500650	42	21~26
40068998	24	75	B412352200A	22	28~30	MC200500650	46	6·7·22
40068999	48	9	B412352200B	22	28~30	MC200500750	10	34·35
40069097	6	91	B412352200C	22	28~30	MC200500750	42	21~26
40069110	6	92	B8210012000	52	6	MC200501300	42	21~26
40069369	48	43	B9117012000	24	71	MC200501300	48	4·5
40069370	48	44	B9117012000	42	16	MDB100B0900	42	21~26
40070090	42	28	B9117012000	50	50	MDB100B0900	46	6·7·22
40071740	26	12	B9117552A00	24	72	MDB100B1100	10	34·35
40071950	26	22	B9117552A00	42	17	MDB100B1100	42	21~26
40075404	30	23	B9117552A00	44	9	MDB100B1100	46	6·7·22

NUMERICAL INDEX OF PARTS

PART NO	PAGE	REF NO.	PART NO	PAGE	REF NO.	PART NO	PAGE	REF NO.
MDB100B2100	42	21~26	SB30700020B	10	41~45	SM4041055SP	28	58
MDB100B2100	48	4·5	SB30700020C	10	41~45	SM4050501SC	44	2
MDFRX1600C0	42	19·20	SB30700020D	10	41~45	SM4050655SP	4	80
MML007600CA	42	19·20	SB32000060A	24	48~50	SM4050655SP	14	35
NM6040000SN	26	43	SB32000060B	24	48~50	SM4050855SP	2	32
NM6050001SE	38	17	SB32000060C	24	48~50	SM4050855SP	22	19
NM6060001SE	40	5	SD0460703TP	26	8	SM4050855SP	34	8
NM6060003SE	14	31	SD0460703TP	44	23	SM4051055SP	2	31
NM6160511SE	38	18	SD0460703TP	48	18	SM4051055SP	8	33
NS6090310SP	36	21	SD0500131TP	48	19	SM4051055SP	24	76
NS6110310SP	36	22	SD0600329TP	28	55	SM4051055SP	34	24
NS6110350SP	34	34	SD0630275SP	28	56	SM4051055SP	36	31
NS6150310SP	26	25	SD0641456TP	28	57	SM4051405SE	38	12
NS6150310SP	40	17	SD0650321TP	36	25	SM5040655SN	4	68
NS6150810SP	26	26	SD0720331SP	40	20	SM5040655SN	8	20
NS6620310SP	16	44	SD0720336SP	14	30	SM5040655SN	30	29
NS6660410SH	26	44	SD1001506TP	34	13	SM6040602TP	14	9
NS6660430SP	26	45	SK3311600SE	52	19	SM6051400SP	14	4
RC0560711KP	8	18	SK3382001SC	52	15	SM6051400SP	22	17
RE0250000K0	36	23	SK3415001SE	54	6	SM6051602TP	18	17
RE0400000K0	8	19	SK3513200SC	52	22	SM6051850TP	20	51
RE0400000K0	20	63	SL4030631SC	36	26	SM6061610SC	38	6
RE0400000K0	26	27	SL4030641SE	36	27	SM6061802TP	20	67
RE0500000K0	14	45	SL6040892TN	30	45	SM80404A2TP	18	4
RE0500000K0	16	45	SL6040892TN	44	4	SM8040802TP	8	21
RE0500000K0	18	37	SL6051092TN	34	11	SM8050502TP	8	22
RE0500000K0	36	24	SL6051492TN	4	87	SM8051610SP	10	20
RE0600000K0	26	28	SL6051492TN	14	37	SM80606A2TP	10	6
RE1000000K0	40	19	SL6051492TN	30	43	SM80606A2TP	48	42
RE1200000K0	34	7	SL6052592TN	2	26	SM8060812TP	24	82
RO036080200	44	24	SL6052592TN	12	49	SM80608A2TP	2	70
RO037180100	14	25	SL6053592TN	16	52	SM80608A2TP	4	70
RO037180100	30	39	SL6061292TN	2	35	SM80608A2TP	10	39
RO048190100	30	44	SL6061292TN	28	60	SM80608A2TP	18	42
RO068190100	30	16	SL6061292TN	30	27	SM8063012TR	40	6
RO080150200	4	83	SL6061292TN	34	35	SM8081652TP	10	5
RO098240100	30	25	SM0051001SC	8	32	SM8081652TP	48	41
RO172180100	30	26	SM1051052TN	20	56	SM9040650TP	18	18
RO195240100	30	4	SM2040955TP	2	28	SM9061203SE	40	29
SB117000400	24	51	SM4021201SC	4	79	SM9061853SR	40	22
SB120000800	10	21	SM4040655SP	2	36	SM9062053SR	40	16
SB120001000	24	80	SM4040655SP	14	36	SQ2050453MZ	30	14
SB120001300	10	8	SM4040655SP	20	49	SS2060210SP	26	9
SB307000200	10	41~45	SM4040655SP	22	42	SS2060210SP	44	15
SB30700020A	10	41~45	SM4040655SP	26	29	SS2060210SP	48	20

NUMERICAL INDEX OF PARTS

PART NO	PAGE	REF NO.	PART NO	PAGE	REF NO.
SS4080620TP	22	27	WP0531000SD	22	18
SS4080620TP	26	10	WP0621016SD	14	33
SS4080620TP	44	16	WP0621016SH	26	31
SS4080620TP	48	21	WP0650876SD	40	13
SS4110615SP	36	30	WP1612616SE	38	19
SS6060210SP	2	18	WP1703001SC	34	9
SS6090510TP	26	37	WP1751616SD	20	60
SS6090540SP	36	28	WS0510002KN	38	16
SS6090620TP	22	12	WS1643202KR	38	20
SS6090670TP	10	31	WT1780011KP	20	69
SS6090670TP	22	53			
SS6090670TP	24	53			
SS6110420TP	44	6			
SS6110610TP	4	59			
SS6110650TP	22	35			
SS6110710TP	28	49			
SS6121610SP	22	11			
SS6121860SP	18	62			
SS6121860SP	20	62			
SS6660610TP	28	51			
SS7080510TP	10	36			
SS7090610SP	26	30			
SS7091110TP	14	27			
SS7110740TP	34	29			
SS8090670SP	4	58			
SS8090670SP	46	19			
SS8090670SP	48	32			
SS8110520TP	28	54			
SS8150822TP	22	3			
SS8151150TP	22	39			
SS8151150TP	48	45			
SS8660610TP	18	33			
SS8660610TP	22	24			
SS8660612TP	18	46			
SS8660612TP	20	46			
SS8661012TP	18	14			
SS8661012TP	22	66			
SS8661012TP	24	66			
TA0850604R0	2	38			
TA1250406R0	2	43			
TA1270502R0	2	42			
TA1470702R0	2	24			
TA1470704R0	2	41			
WP0430800SC	26	46			
WP0450826SC	8	23			