

MODEL : AMS-210E

List No : 1430-08

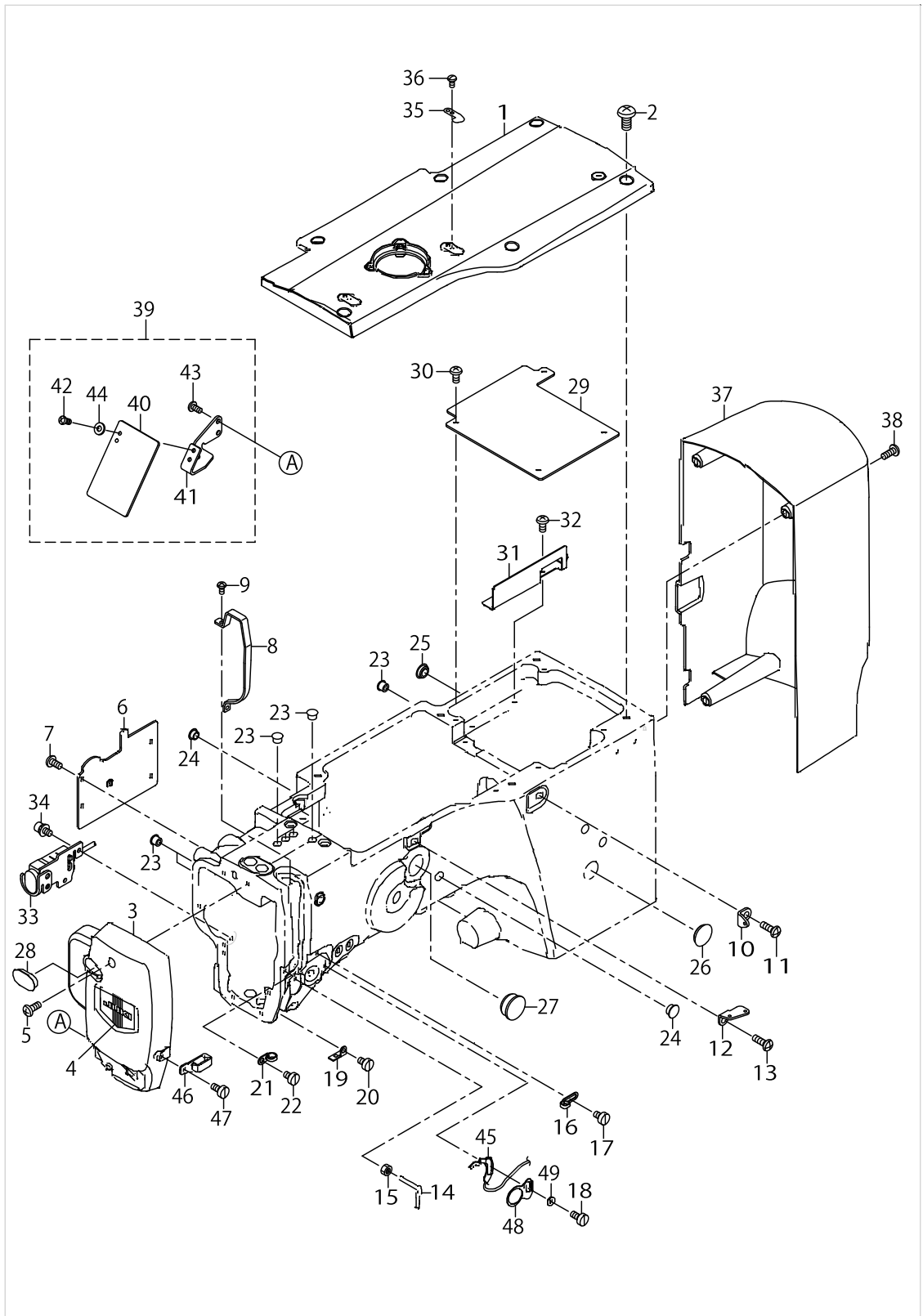
PARTS LIST

Published:05/12/2017

CONTENTS

FRAME & MISCELLANEOUS COVER COMPONENTS (1)	1
FRAME & MISCELLANEOUS COVER COMPONENTS (2)	5
FRAME & MISCELLANEOUS COVER COMPONENTS (3)	9
MAIM SHAFT & NEEDLE BAR COMPONENTS	15
PRESSER MECHANISM & PRESSER VARIABLE COMPONENTS (1)	19
PRESSER MECHANISM & PRESSER VARIABLE COMPONENTS (2)	23
PRESSER PLATE & MANUAL PRESSER MECHANISM COMPONENTS	27
SHUTTLE DRIVER SHAFT COMPONENTS.....	31
WIPER MECHANISM COMPONENTS	35
TENSION RELEASE & THREAD TENSION COMPONENTS.....	37
THREAD TRIMMER MECHANISM COMPONENTS.....	41
THREAD CLAMP COMPONENTS	45
X-Y COMPONENTS (1)	47
X-Y COMPONENTS (2)	53
CLOTH FEED MECHANISM COMPONENTS (FOR AMS-210EHS,ESS)	57
CLOTH FEED MECHANISM COMPONENTS (EXCEPT AMS-210EHS,ESS).....	59
TABLE COMPONENTS	63
PNEUMATIC COMPONENTS (EXCEPT AMS-210EHS,ESS)	67
THREAD STAND COMPONENTS.....	69
OPERATION PANEL COMPONENTS	71
CONTROL BOX COMPONENTS	75
WIRING DIAGRAM.....	77
PEDAL COMPONENTS.....	81
ACCESSORIE PART COMPONENTS	83
OPTIONAL PART COMPONENTS (1)	85
OPTIONAL PART COMPONENTS (2).....	89
LIST FOR INFORMATION OF CHANGE.....	93
HOW TO MAKE USE OF THIS PARTS LIST	94

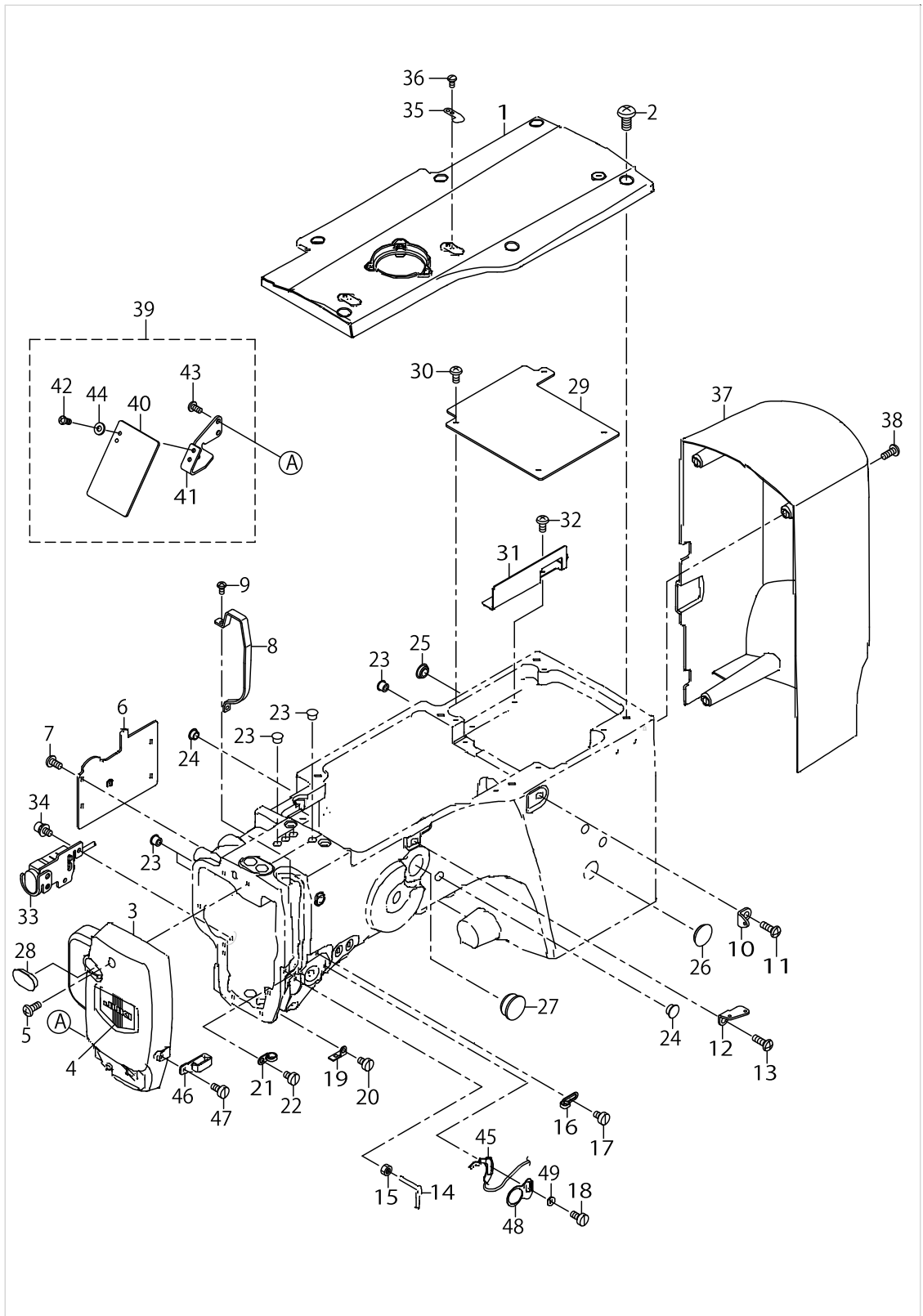
FRAME & MISCELLANEOUS COVER COMPONENTS (1)



FRAME & MISCELLANEOUS COVER COMPONENTS (1)

No.	Supply Code	Parts No.	Replacement	Parts name	Remarks	Choice	Step	Level	Cons	Qty	Rep. QTY
1		40026980		UPSIDE_COVER						1	
2		SM4061255SP		SCREW M6 L=12						6	
3		40026979		FACE_COVER						1	
4		22902506		FACE PLATE						1	
5		SM4041055SP		SCREW						2	
6		40024999		PRESSER_COVER						1	
7		SM4040855SP		SCREW						4	
8		40030828		THREAD_TAKE_UP_LEVER_COVER						1	
9		SM4030601SN		SCREW M3 X 6						2	
10		40010414		THREAD_GUIDE_NO.1						1	
11		SM4061255SP		SCREW M6 L=12						1	
12		26211904		THREAD GUIDE PLATE						1	
13		SM4061255SP		SCREW M6 L=12						1	
14		40025414		L_SHAPED_THREAD_GUIDE						1	
15		NM6040000SN		NUT M4						1	
16		22920508		ARMTHREADGUIDEA						1	
17		SM6040650TP		SCREW						1	
18		SM6040860TP		SCREW M4 L=8						1	
19		B1129210000		FRAME THREAD GUIDE (B)						1	
20		SM6040650TP		SCREW						1	
21		13705108		TAKE-UP THREAD GUIDE B						1	
22		SM6040650TP		SCREW						1	
23		TA0850604R0		RUBBER PLUG						7	
24		TA1050504R0		RUBBER PLUG						3	
25		TA1250406R0		RUBBER PLUG D=12.5 L=4						1	
26		TA2050406R0		RUBBER PLUG						1	
27		TA2351004R0		RUBBER PLUG						1	
28		40028877		FACE_COVER_CAP						1	
29		40024998		CRANK_ROD_COVER						1	
30		SM4040855SP		SCREW						4	
31		40028459		GREASE_PLATE						1	
32		SM4040855SP		SCREW						2	
33		40029632		STOP SW ASM.						1	
34		SL6040892TN		BOLT						2	
35		10502300		THREAD CUTTER						1	
36		SM4030601SN		SCREW M3 X 6						1	
37		40027971		MOTOR_COVER	ACCESSO- RIE PARTS					1	
38		SM4041055SP		SCREW	ACCESSO- RIE PARTS					4	
39		40006484		SAFETY PLATE COMPL.	ACCESSO- RIE PARTS					1	
40	R	B3120372000	26037200	SAFETY PLATE				*		1	1.00
41		40051987		SAFETY PLATE BASE				*		1	
42		SM4040655SP		SCREW M4 L=6				*		2	
43		SM4040855SP		SCREW				*		2	
44		WP0450801SD		WASHER 4.5X10X0.8				*		2	
45		40032511		THB_SENSOR_CABLE_ASM.						1	

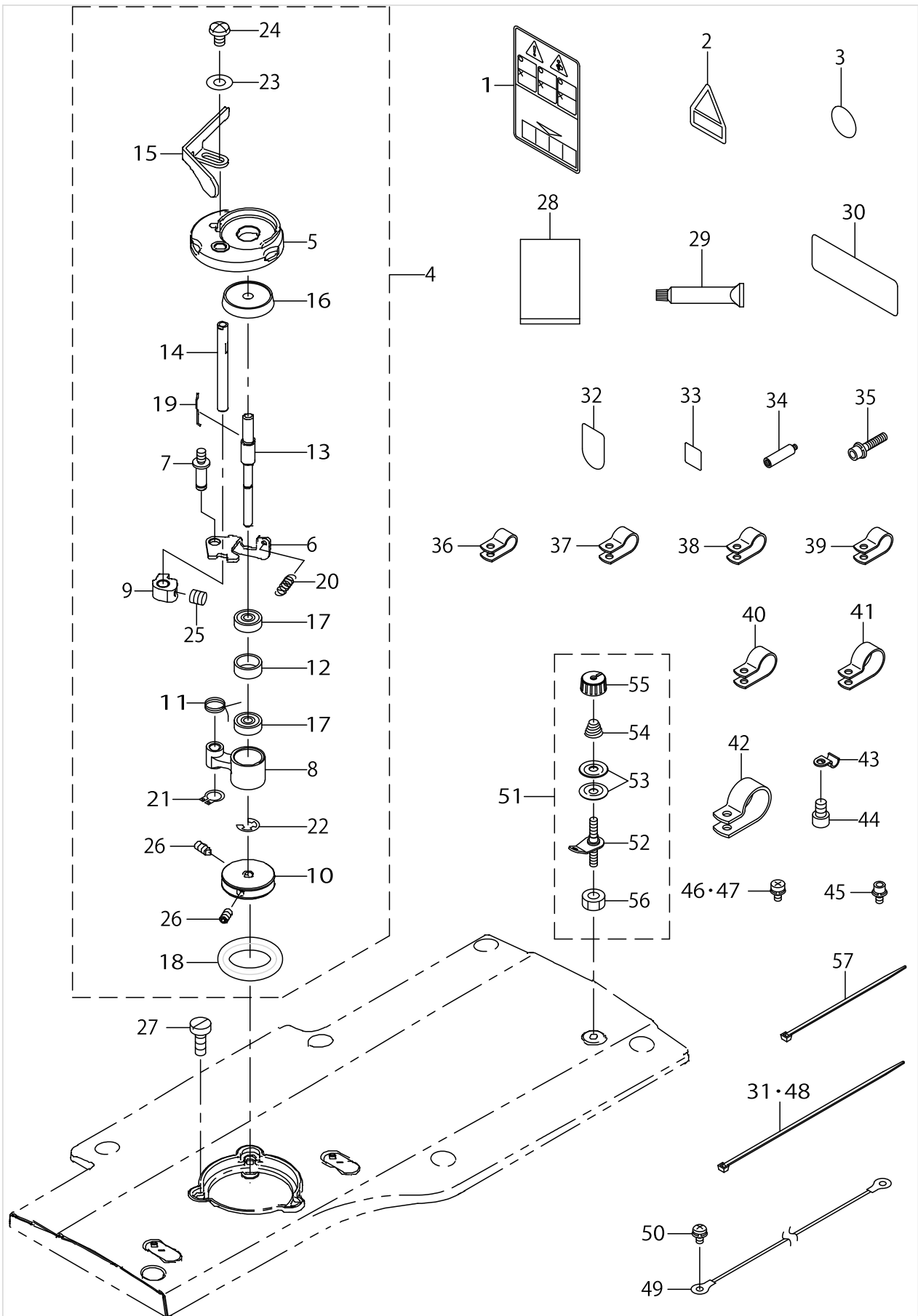
FRAME & MISCELLANEOUS COVER COMPONENTS (1)



FRAME & MISCELLANEOUS COVER COMPONENTS (1)

No.	Supply Code	Parts No.	Replacement	Parts name	Remarks	Choice	Step	Level	Cons	Qty	Rep. QTY
46		10102200		THREAD GUIDE F						1	
47		SM6040860TP		SCREW M4 L=8						1	
48		40028834		GUIDE_PLATE						1	
49		40028835		BUSHING						1	

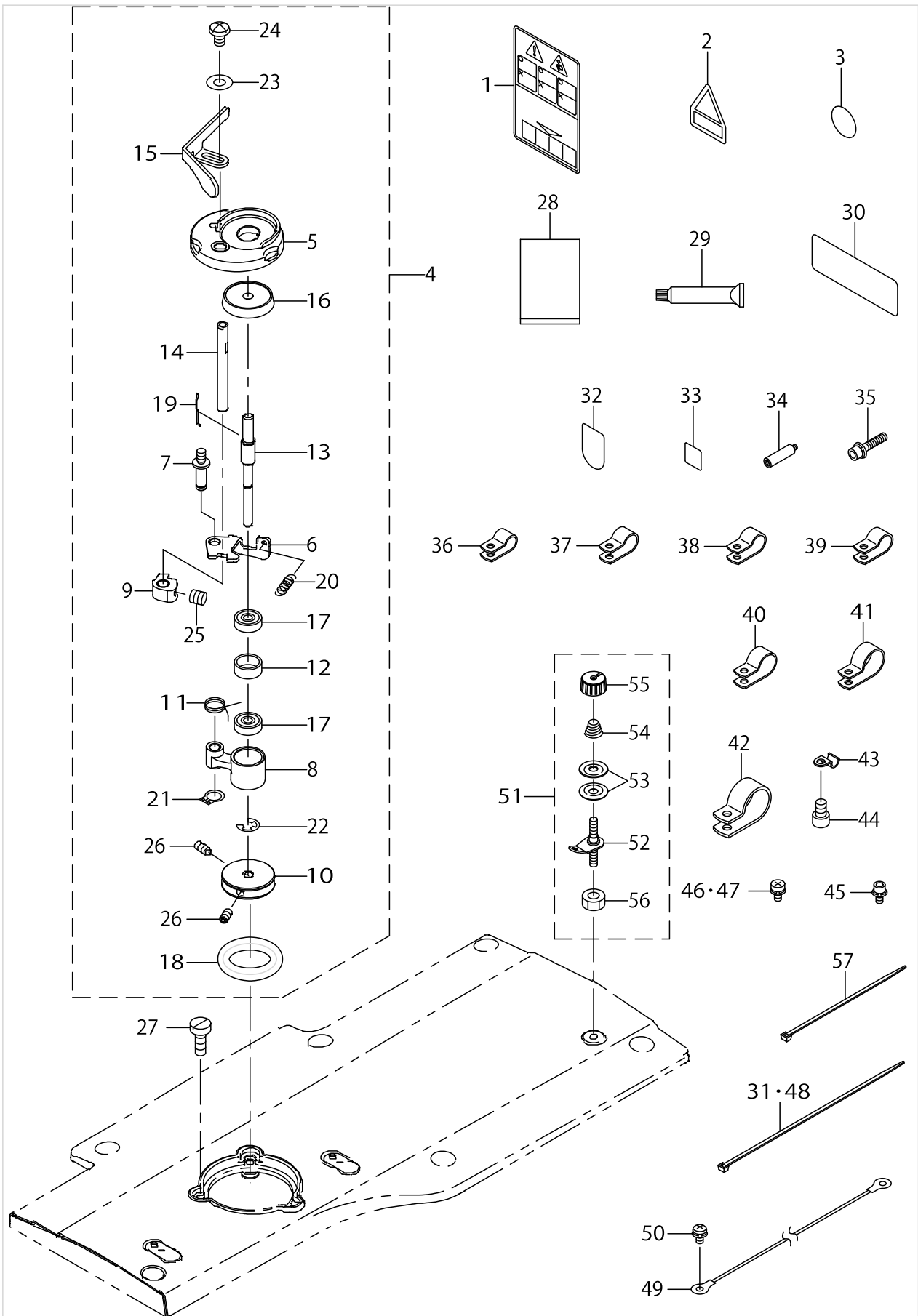
FRAME & MISCELLANEOUS COVER COMPONENTS (2)



FRAME & MISCELLANEOUS COVER COMPONENTS (2)

No.	Supply Code	Parts No.	Replacement	Parts name	Remarks	Choice	Step	Level	Cons	Qty	Rep. QTY
1		CM301200001		SAFETY LABEL_S						1	
2		CM300200003		ATTENTION LABEL						1	
3	R	10004109	22901805	GROUND MARK						1	1.00
4		40028338		BOBBIN_WINDER_UNIT						1	
5	R	26260109	26260000	BTW_BASE				*		1	1.00
6		26260208		BTW_CAM_PLATE				*		1	
7		26260307		BTW_BASE_SHAFT				*		1	
8		26260406		BTW_SHAFT_BASE				*		1	
9		26260505		BTW_CAM_LEVER				*		1	
10		26260604		BTW_WHEEL				*		1	
11		26260703		BTW_TORSION_SPRING				*		1	
12	R	26260802	26260000	BTW_BEARING_SPACER				*		1	1.00
13		40023865		BTW_SHAFT				*		1	
14	D	40023866		BTW_LEVER_SHAFT				*		1	
15		40030829		BTW_LEVER				*		1	
16		26261206		BTW_SPACER				*		1	
17	R	26261305	26260000	BTW_BEARING				*		2	1.00
18		26261503		BTW_WHEEL_RUBBER				*		1	
19		26261602		BOBBIN_SPRING				*		1	
20		26261701		BTW_SPRING				*		1	
21		RC0560711KP		RETAINING RING				*		1	
22		RE0400000K0		E-RING 4				*		1	
23		WP0450826SC		WASHER 4.5X10X0.8				*		1	
24		SM5040655SN		SCREW				*		1	
25		SM8050502TP		SCREW M5 L=5				*		1	
26		SM8040802TP		SCREW M4X8				*		2	
27		SM6041150TP		SCREW						3	
28		40031336		FLAT_BAG						1	
29		40013640		JUKI_GREASE_B_TUBE						1	
30		CM500100001		CE MARKING LABEL	FOR JE					1	
31		EA9500B0200		CABLE BAND 150	FOR AMS-- 210EHS,ES- S,EHL,ESL					3	
32		CM100100001		OIL INJECTION PR- OHIBITION LABEL						1	
33		CM600100101		WEEE MARK LABEL S	FOR JE					1	
34		40036110		GREASE JOINT B						1	
35		SL6084092TN		BOLT						1	
36		HX00150000C		CABLE BAND						4	
37		HX00150000D		CABLE CLIP	FOR AMS-- 210EHS,ESS					5	
38		HX00150000D		CABLE CLIP	FOR AMS-- 210EHL,ES- L, AMS-210E-1510					5	
39		HX00150000D		CABLE CLIP	FOR AMS-- 210E-2206, AMS-210E-2210					6	
40		HX00150000F		CABLE CLIP	FOR AMS-- 210EHL,ES- L, AMS-210E-1510					1	
41		HX00150000H		CABLE CLIP						1	
42		HX00150000K		CABLE CLIP						1	

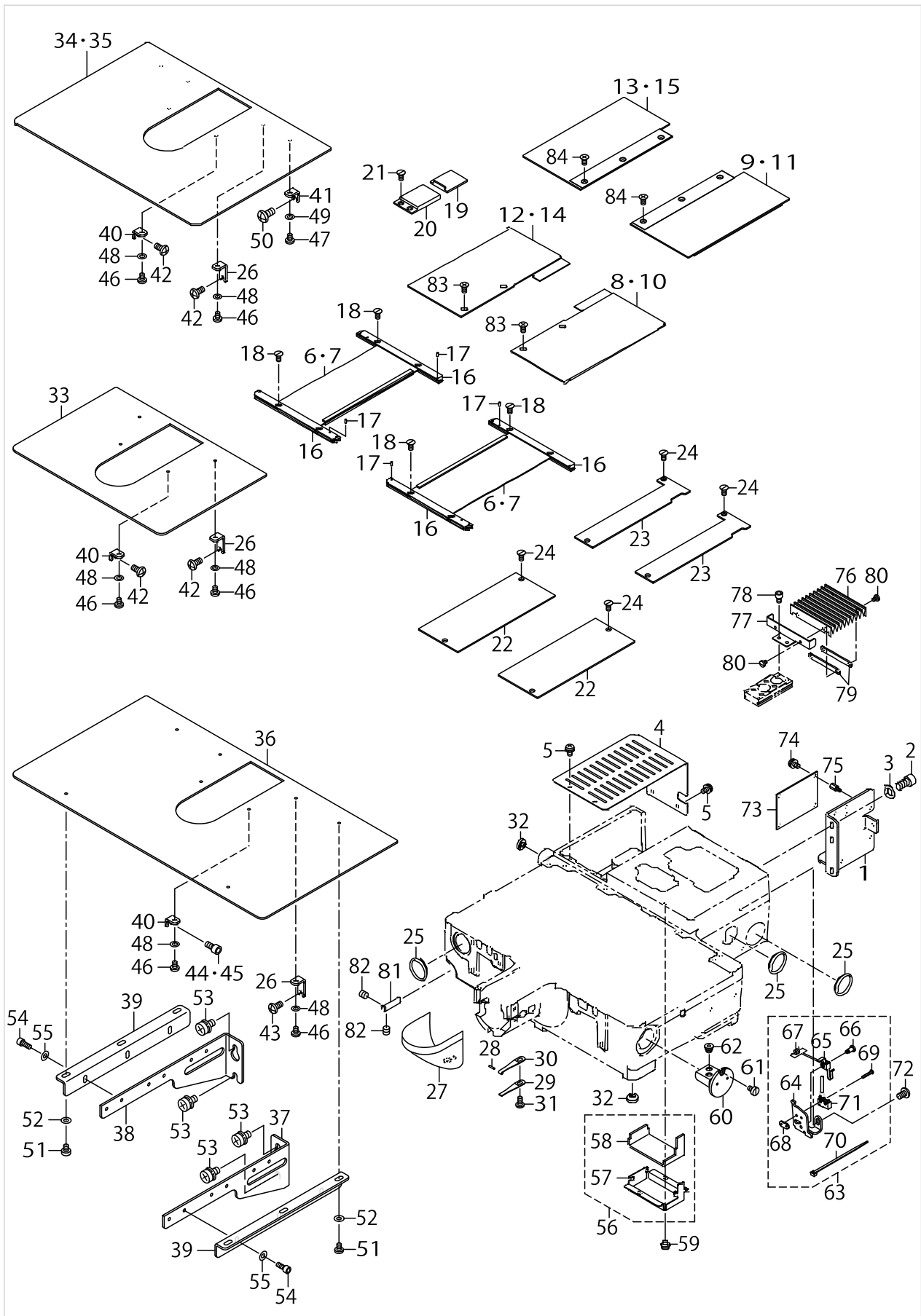
FRAME & MISCELLANEOUS COVER COMPONENTS (2)



FRAME & MISCELLANEOUS COVER COMPONENTS (2)

No.	Supply Code	Parts No.	Replacement	Parts name	Remarks	Choice	Step	Level	Cons	Qty	Rep. QTY
43		B3538112000		OIL RETURN TUBE HOLDER						2	
44		SM6040602TP		SCREW M4 L=6						2	
45		SL6040892TN		BOLT						3	
46		SL4040891SC		SCREW M4 L=8	EXCEPT A-MS-210E--2206, AMS-210E-2210					12	
47		SL4040891SC		SCREW M4 L=8	FOR AMS--210E-2206, AMS-210E-2210					13	
48		EA9500B0200		CABLE BAND 150	FOR AMS--210E-1510, AMS-210E--2206, AMS-210E-2210					4	
49		40005712		EARTH CODE ASM						1	
50		SL4040891SC		SCREW M4 L=8						1	
51		14113468		BOBBIN THREAD TENSION ASM.						1	
52		14113450		BOBBIN THREAD TENSION ROD ASM.				*		1	
53	R	B3126012000	22921506	THREAD TENSION DISK				*		2	1.00
54		D7133555B00		CONNECTING ROD SPRING				*		1	
55		11072402		THREAD TENSION NUT				*		1	
56		NS6110310SP		NUT 11/64-40				*		1	
57		EA9500B0100		CABLE BAND						2	

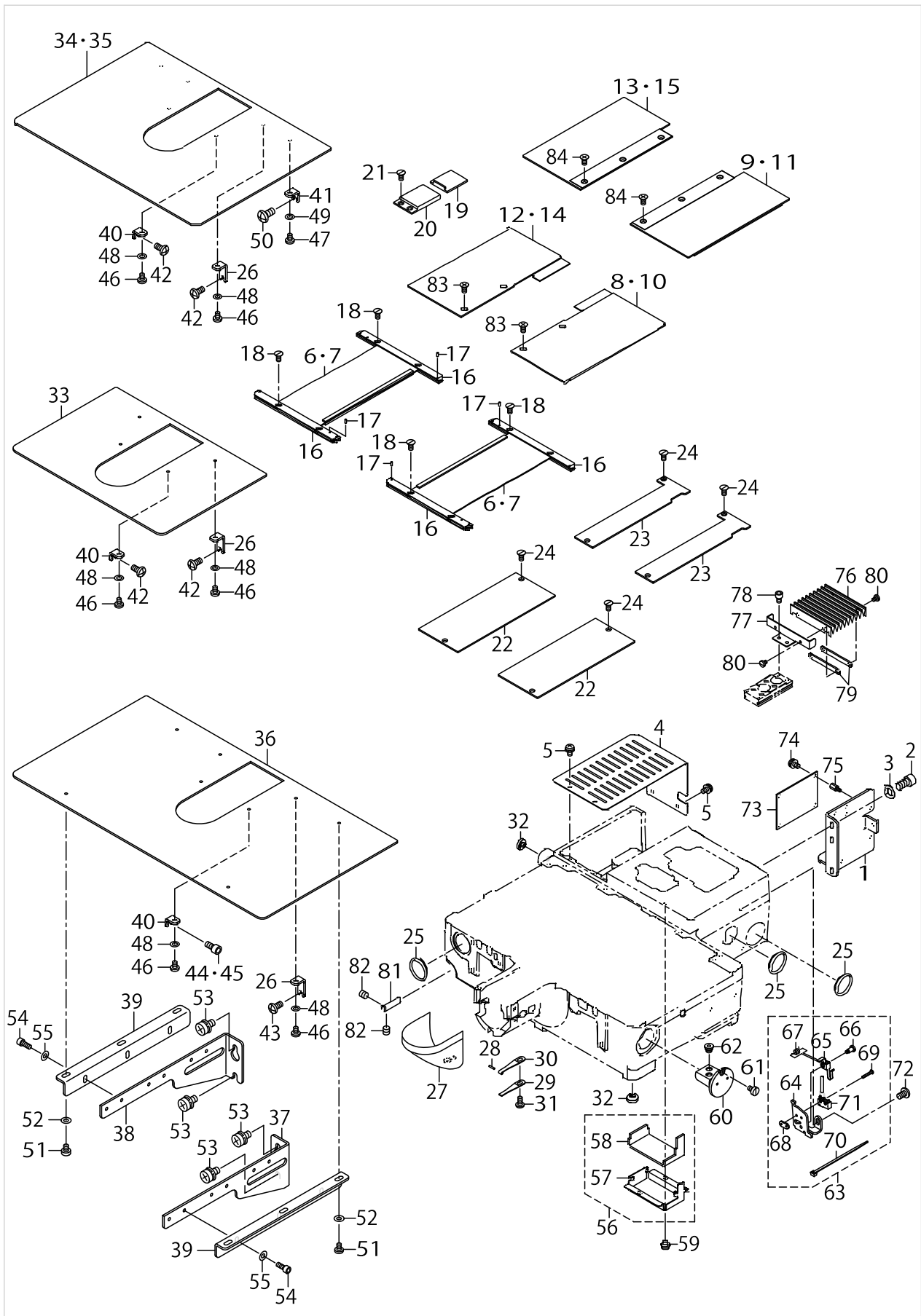
FRAME & MISCELLANEOUS COVER COMPONENTS (3)



FRAME & MISCELLANEOUS COVER COMPONENTS (3)

No.	Supply Code	Parts No.	Replacement	Parts name	Remarks	Choice	Step	Level	Cons	Qty	Rep. QTY
1		40024997		LIFTER_BASE						1	
2		SM6061202TP		SCREW M6 L=12						2	
3		WP0651001SC		WASHER						2	
4	D	40025017		X_MOTOR_COVER						1	
5		SL4040891SC		SCREW M4 L=8						5	
6		40025018		X MOVEMENT LOWER COVER ASM.	FOR AMS-- 210EHS,ES- S,EHL,ESL					2	
7		40036457		X_MOVEMENT_LOWER_COVER_ASM	FOR AMS-- 210E-1510, AMS-210E-- -2206, AM- S-210E-2210					2	
8		40025023		X MOVEMENT UPPER COVER R ASM.	FOR AMS-- 210EHS,ES- S,EHL,ESL					1	
9		40036459		X_MOVEMENT_UPPER_COVER_R_ASM	FOR AMS-- 210E-1510					1	
10		40038553		X MOVEMENT UPPER COVER R ASM	FOR AMS-- 210E-2206					1	
11		40039532		X MOVEMENT UPPER COVER R ASM	FOR AMS-- 210E-2210					1	
12		40025021		X MOVEMENT UPPER COVER L ASM.	FOR AMS-- 210EHS,ES- S,EHL,ESL					1	
13		40036461		X_MOVEMENT_UPPER_COVER_L_ASM	FOR AMS-- 210E-1510					1	
14		40038555		X MOVEMENT UPPER COVER L ASM	FOR AMS-- 210E-2206					1	
15		40039534		X MOVEMENT UPPER COVER L ASM	FOR AMS-- 210E-2210					1	
16		B1181210D00		X MOVEMENT COVER RAIL						4	
17		PS0150042K0		SPRING PIN 1.5X 4						4	
18		SM1040870TP		SCREW						8	
19		B1123210000		Y DRIVE COVER	EXCEPT A- MS-210E-- 1510, AMS- -210E-2210					1	
20		B1124210000		Y FIXED COVER	EXCEPT A- MS-210E-- 1510, AMS- -210E-2210					1	
21		SM1040870TP		SCREW	EXCEPT A- MS-210E-- 1510, AMS- -210E-2210					2	
22		40025031		FEED BASE COVER	FOR AMS-- 210EHS,ES- S,EHL,ESL					2	
23		40036464		FEED_BASE_COVER	FOR AMS-- 210E-1510, AMS-210E-- -2206, AM- S-210E-2210					2	
24		SM1040870TP		SCREW						4	
25		B8267180000		RUBBER PLUG						3	
26		40025015		COVER_SUPPORT_A	ACCESSO- RIE PARTS					2	
27	R	13816855	40142674	HOOK COVER ASM.						1	1.00
28		31262801		PIN						1	
29		26221200		HOOK COVER PRESSER SPRING B						1	
30		26221101		HOOK COVER PRESSER SPRING A						1	
31		SM5040855SN		SCREW						1	

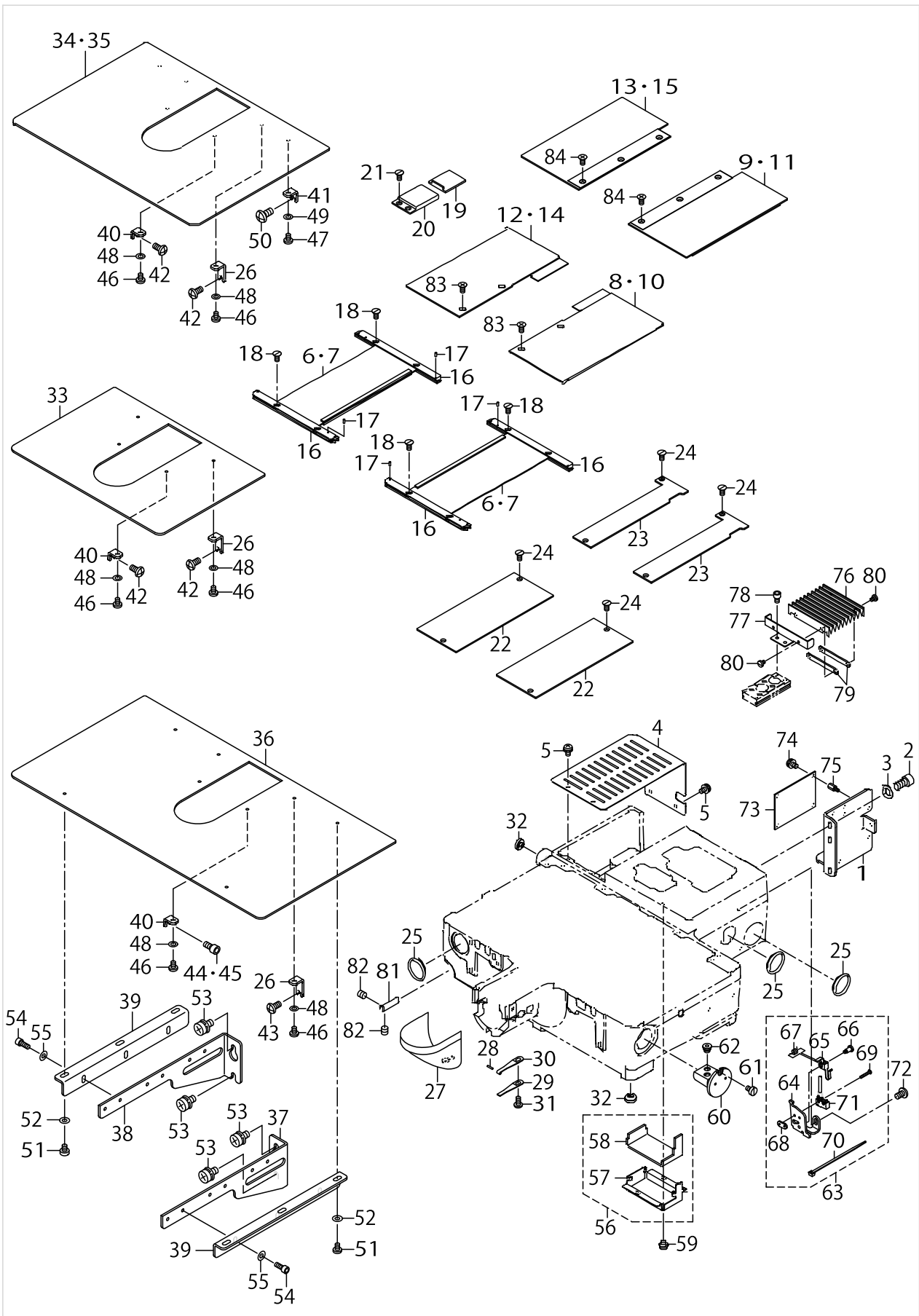
FRAME & MISCELLANEOUS COVER COMPONENTS (3)



FRAME & MISCELLANEOUS COVER COMPONENTS (3)

No.	Supply Code	Parts No.	Replacement	Parts name	Remarks	Choice	Step	Level	Cons	Qty	Rep. QTY
32		B1116210D00		FRAME SUPPORT RUBBER	ACCESSO- RIE PARTS					6	
33	R	40023629	40083740	NEEDLE PLATE SUPPORT COVER	ACCESSO- RIE PARTS (FOR ASM- -210EHS,E- SS,EHL,ESL)					1	1.00
34	R	40036481	40083741	NEEDLE_PLATE_SUPPORT_COVER	ACCESSO- RIE PARTS (FOR AMS- -210E-1510)					1	1.00
35		40038568		NEEDLE_PLATE_SUPPORT_COVER	ACCESSO- RIE (FOR ASM-210E-2206)					1	
36	R	40039545	40083742	NEEDLE_PLATE_SUPPORT_COVER	ACCESSO- RIE (FOR ASM-210E-2210)					1	1.00
37		40039546		COVER_SUPPORT_R	ACCESSO- RIE (FOR ASM-210E-2210)					1	
38		40039547		COVER_SUPPORT_L	ACCESSO- RIE (FOR ASM-210E-2210)					1	
39		B1132223C00		COVER BASE	ACCESSO- RIE (FOR ASM-210E-2210)					2	
40		40025014		COVER_SUPPORT_B	ACCESSO- RIE PARTS					2	
41		D1113D10D0D		COVER SUPPORT	ACCESSO- RIE PARTS (FOR ASM- -210E-151- 0, AMS-210E-2206)					2	
42		SM4051055SP		SCREW	EXCEPT A- MS-210E-2210					4	
43		SM4051055SP		SCREW	ACCESSO- RIE (FOR ASM-210E-2210)					2	
44		SM4051055SP		SCREW	SELECTIVE PARTS (F- OR AMS-2- 10E-2210)					2	
45		SM6051002TP		SCREW M5X0.8 L=10	SELECTIVE PARTS (F- OR AMS-2- 10E-2210)					2	
46		SM6450610TP		SCREW	ACCESSO- RIE PARTS					4	
47		SM6450610TP		SCREW	ACCESSO- RIE PARTS (FOR ASM- -210E-151- 0, AMS-210E-2206)					2	
48		WP0430800SD		WASHER M4	ACCESSO- RIE PARTS					4	
49		WP0430800SD		WASHER M4	ACCESSO- RIE PARTS (FOR ASM- -210E-151- 0, AMS-210E-2206)					2	
50		SM4061255SP		SCREW M6 L=12	ACCESSO- RIE PARTS (FOR ASM- -210E-151- 0, AMS-210E-2206)					2	
51		SM6450610TP		SCREW	ACCESSO- RIE (FOR ASM-210E-2210)					4	
52		WP0450801SP		WASHER	ACCESSO- RIE (FOR ASM-210E-2210)					4	

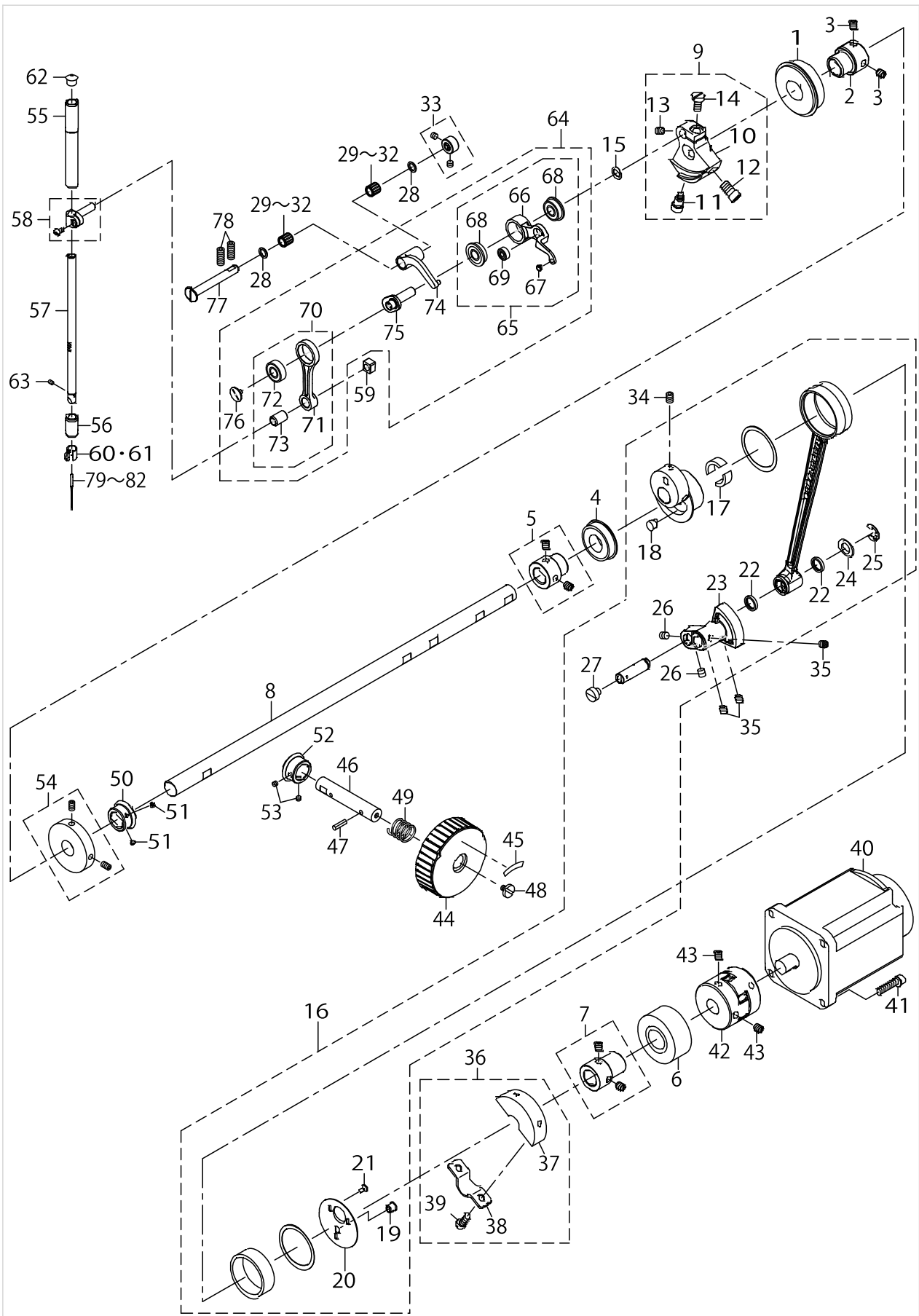
FRAME & MISCELLANEOUS COVER COMPONENTS (3)



FRAME & MISCELLANEOUS COVER COMPONENTS (3)

No.	Supply Code	Parts No.	Replacement	Parts name	Remarks	Choice	Step	Level	Cons	Qty	Rep. QTY
53		SL9061291SE		WASHER HEXAGON-AL BOLT M6 L=12	ACCESSO-RIE (FOR ASM-210E-2210)					4	
54		SM6041002TP		SCREW M4 L=10	ACCESSO-RIE (FOR ASM-210E-2210)					6	
55		WP0450801SP		WASHER	ACCESSO-RIE (FOR ASM-210E-2210)					6	
56		40026829		GEAR_COVER_ASM.						1	
57	R	40026830	40026829	GEAR_COVER				*		1	1.00
58	D	40026831		GEAR_COVER_FELT				*		1	
59		SL4040681SC		COMBINATION SCREW M4 X 8						2	
60		40006836		OIL TANK ASM.						1	
61		SM6040650TP		SCREW						1	
62		40006840		RUBBER BUSH						2	
63		40029776		SAFTY_SW_ASM.						1	
64	R	40006496	40006495	SAFETY_SW_BASE				*		1	1.00
65		23638109		SAFETY SWITCH ARM				*		1	
66	R	40006497	40006495	SAFETY_SW_ARM_SHAFT				*		1	1.00
67	R	23638208	23638059	SAFETY SWITCH SPRING				*		1	1.00
68	R	23638406	23638059	SAFETY SWITCH NUT				*		1	1.00
69		SM4021201SC		SCREW M2 L=12				*		1	
70		EA9500B0100		CABLE BAND				*		2	
71	D	40029633		SAFETY SW CORD ASM.				*		1	
72		SM4050855SP		SCREW						1	
73		40032512		INT_PCB_ASM.						1	
74		SL4040891SC		SCREW M4 L=8						3	
75		HX003390000		STUD						4	
76		40036465		FEED_COVER	FOR AMS--210E-1510, AMS-210E-2210					1	
77		40036467		FEED_COVER_STAY	FOR AMS--210E-1510, AMS-210E-2210					1	
78		SM6040602TP		SCREW M4 L=6	FOR AMS--210E-1510, AMS-210E-2210					2	
79		40036468		FEED_COVER_PLATE	FOR AMS--210E-1510, AMS-210E-2210					2	
80		SM7030450SC		SCREW M3X0.5 L=4	FOR AMS--210E-1510, AMS-210E-2210					4	
81		40009290		HINGE STUD						2	
82		SM8060612TP		SCREW M6 L=6						4	
83		SM1040801SP		SCREW M4X0.7 L=8	EXCEPT AMS-210E-1510, AMS-210E-2210					4	
84		SM1040801SP		SCREW M4X0.7 L=8	FOR AMS--210E-1510, AMS-210E-2210					6	

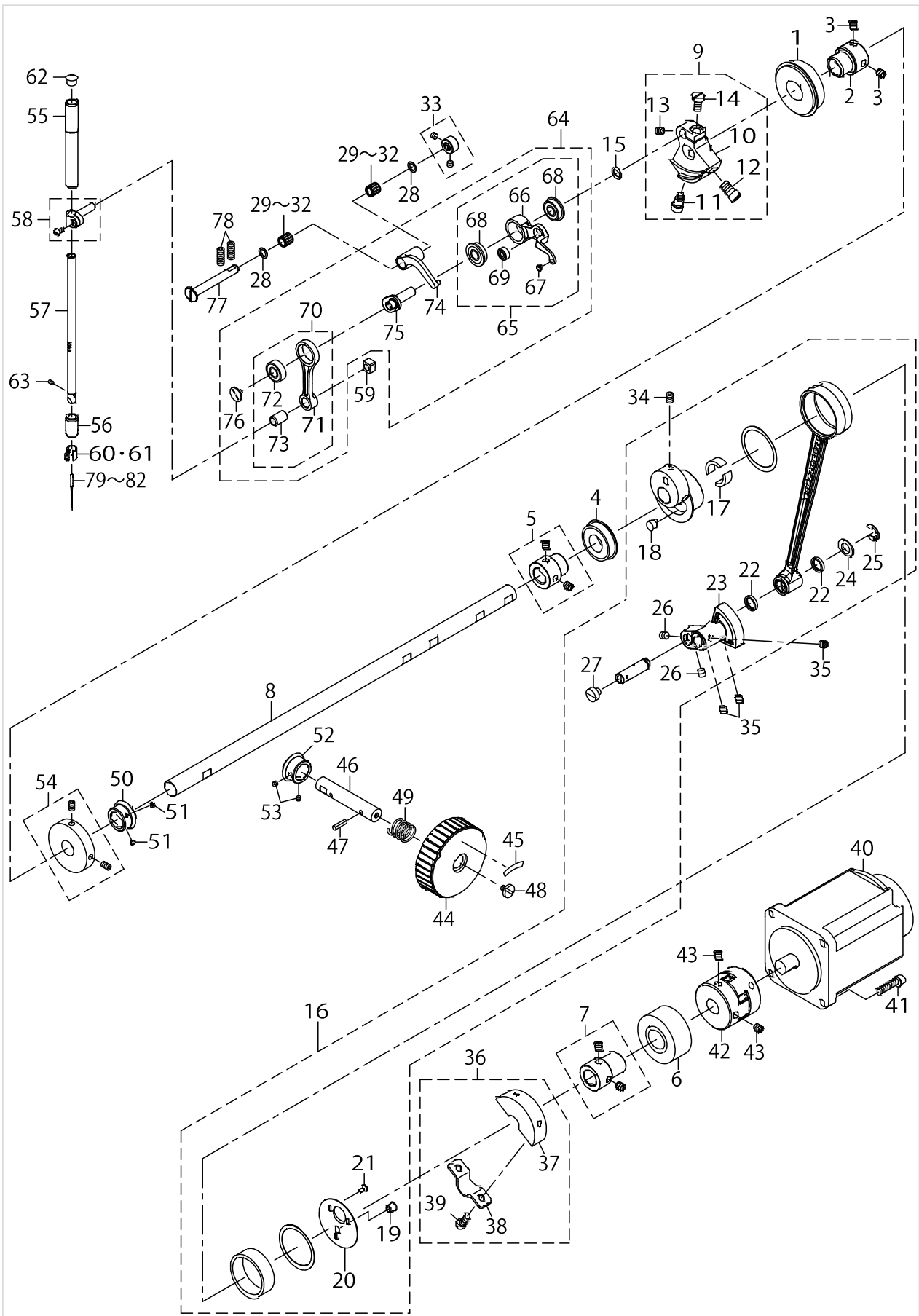
MAIM SHAFT & NEEDLE BAR COMPONENTS



MAIM SHAFT & NEEDLE BAR COMPONENTS

No.	Supply Code	Parts No.	Replacement	Parts name	Remarks	Choice	Step	Level	Cons	Qty	Rep. QTY
1		SB12000900		BEARING						1	
2		23604200		MAIN SHAFT BEARING SUPPORT						1	
3		SM8060812TP		SCREW M6 L=8						2	
4		SB120001800		BEARING						1	
5		40010415		BEARING_BUSH_A_ASM.						1	
6		SB120001700		BEARING						1	
7		40010418		BEARING_BUSH_B_ASM.						1	
8		40025417		MAIN SHAFT						1	
9		40010422		COUNTER_WEIGHT_ASM.						1	
10	R	40010423	40010422	COUNTER_WEIGHT				*		1	1.00
11		40010424		COUNTER_WEIGHT_SCREW_A				*		1	
12		40010425		COUNTER_WEIGHT_SCREW_B				*		1	
13		40010426		COUNTER_WEIGHT_SCREW_C				*		1	
14		40010427		COUNTER_WEIGHT_SCREW_D				*		1	
15		WP0820516SP		WASHER 11.6X8.2X0.6						1	
16	R	40031136	40089367	CRANK_ROD_ALL_ASM.						1	1.00
17		40006555		UNDER CAM FELT				*		2	
18		TA0670604R0		PLUG D=6.7 L=6				*		1	
19		TA0670604R0		PLUG D=6.7 L=6				*		1	
20		40010421		CRANK_ROD_SUPPORT_PLATE				*		1	
21		SM1030601SP		SCREW M3 L=6				*		3	
22		10108009		OIL SEAL				*		2	
23	R	40006561	40089367	OSCILLATOR				*		1	1.00
24		40026818		WASHER				*		1	
25		RE0800000K0		E-SHAPED SNAP RING (8MM)				*		1	
26		SM8480652TP		SCREW				*		2	
27		SM6060550TP		SCREW M6 L=4.5				*		1	
28		22891204		BEARING SUPPORT						2	
29		SB30700020A		BEARING	SELECTIVE PARTS					2	
30		SB30700020B		BEARING	SELECTIVE PARTS					2	
31		SB30700020C		BEARING	SELECTIVE PARTS					2	
32		SB30700020D		BEARING	SELECTIVE PARTS					2	
33		40010434		THRUST_COLLAR_ASM.						1	
34		SM8060812TP		SCREW M6 L=8						2	
35		SM8480652TP		SCREW						3	
36		40010437		CRANK_BALANCER_ASM.						1	
37	R	40010438	40010437	CRANK_BALANCER				*		1	1.00
38		40010439		CRANK_BALANCER_FIX_PLATE				*		1	
39		40010440		CRANK_BALANCER_FIX_PLATE_SCREW				*		2	
40		40052937		SERVO MOTOR 550W						1	
41		SL6052592TN		BOLT						4	
42	R	23604309	40051473	COUPLING						1	1.00
43		SM8060812TP		SCREW M6 L=8						4	
44		B1212210D00		PULLEY						1	
45		B1144210000		REVOLVING DIRECTION LABEL						1	
46	R	B1213210D00	40044053	PULLEY SHAFT						1	1.00

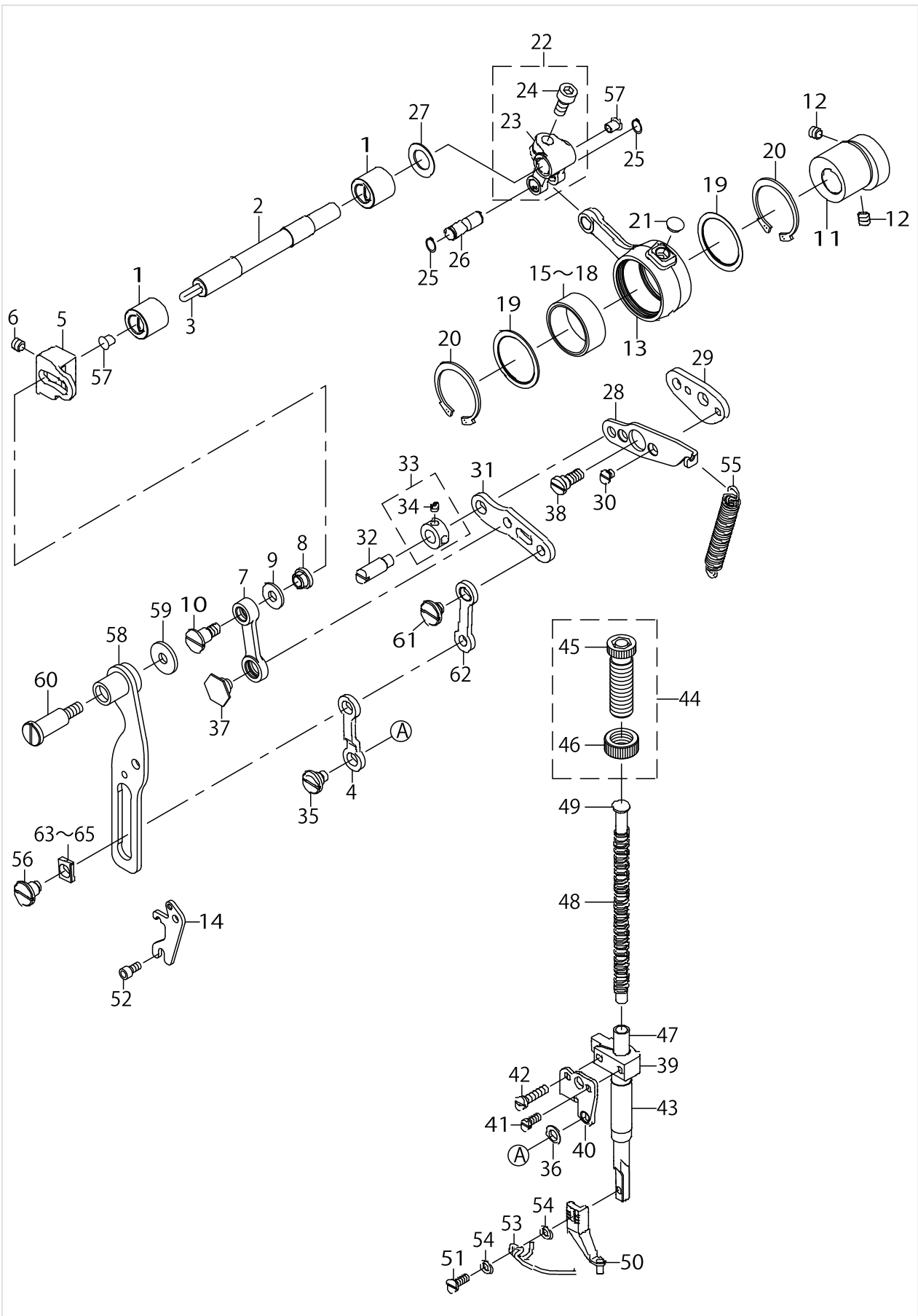
MAIM SHAFT & NEEDLE BAR COMPONENTS



MAIM SHAFT & NEEDLE BAR COMPONENTS

No.	Supply Code	Parts No.	Replacement	Parts name	Remarks	Choice	Step	Level	Cons	Qty	Rep. QTY
47		PS0400142KH		SPRING PIN 4X14						1	
48		A1230500000A		HANDWHEEL SETSCREW						1	
49		GAF01007000		SPRING						1	
50		40006515		GEAR_A						1	
51		SM8040310SS		SCREW M4 L=3						2	
52		40006516		GEAR_B						1	
53		SM8040310SS		SCREW M4 L=3						2	
54		40010533		BTW_DRIVING_WHEEL_ASM.						1	
55		40010441		NEEDLE_ROD_METAL						1	
56		40010442		NEEDLE_ROD_LOWER_METAL						1	
57		40026882		NEEDLE_BAR						1	
58		B14115520A0		NEEDLE BAR CONNECTING ASM.						1	
59		B1414555000		SLIDE BLOCK						1	
60		B1405210000		THREAD GUIDE A	TYPE S					1	
61		40026884		NEEDLE_BAR_SHREAD_GUIDE_H	TYPE H					1	
62		22901409		NEEDLE BAR UPPER BUSH CAP						1	
63		SM8030412TP		SCREW					☆	1	
64	D	40006529		THREAD_TAKE_UP_COMPL.						1	
65	R	40006530	40006529	THREAD_TAKE_UP_LEVER_ASM.				*		1	1.00
66	R	40006531	40006529	THREAD_TAKE_UP_LEVER				*		1	1.00
67		B1908505000		THREAD PASS BUSH				*		1	
68		SB108002200		BEARING				*		2	
69		SB104001600		BEARING				*		1	
70		40006534		NEEDLE_BAR_CRANK_ROD_ASM.				*		1	
71	R	40006535	40006534	NEEDLE_BAR_CRANK_ROD				*		1	1.00
72		SB108002300		BEARING				*		1	
73	R	22891006	22890958	NEEDLE BAR CRANK ROD BUSH		A	DDL-5700N	*		1	1.00
73	R	22891006	23622251	NEEDLE BAR CRANK ROD BUSH		B	DDL-9000,- DP-2100,DLN-9010	*		1	1.00
73	R	22891006	40078106	NEEDLE BAR CRANK ROD BUSH		C	AMS- /IP-- 420,AMS-220EN	*		1	1.00
73	R	22891006	40006534	NEEDLE BAR CRANK ROD BUSH		D	LK- ,AMS-- /IP-410,A- MS-210E,AB-1351	*		1	1.00
74		40006532		THREAD_TAKE_UP_CRANK				*		1	
75	R	40006537	40006529	NEEDLE_ROD_CRANK				*		1	1.00
76		B1903552000		LEFT SCREW				*		1	
77		40011902		THREAD_TAKE_UP_CRANK_SHAFT						1	
78		SM8061612TP		SCREW M6X16						2	
79		MDP500B1400		NEEDLE DPX5 #14	TYPE S(FOR ST)				☆	1	
80		MDP170B1800		NEEDLE DPX17 #18	TYPE H(FOR ST)				☆	1	
81		MC200501000		NEEDLE #100	TYPE S(FOR JE)				☆	1	
82		MC372001100		NEEDLE 135X17 #110	TYPE H(FOR JE)				☆	1	

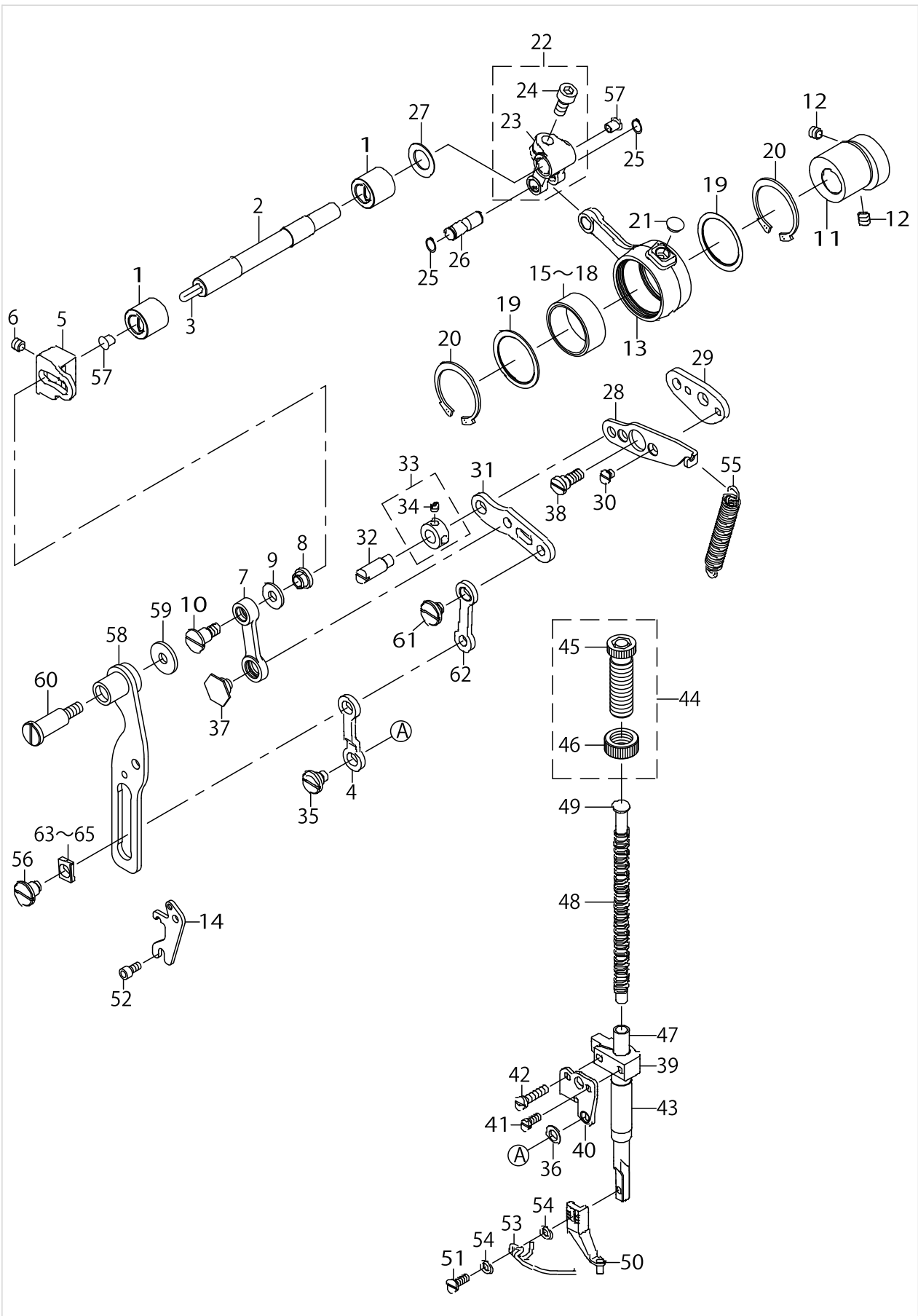
PRESSER MECHANISM & PRESSER VARIABLE COMPONENTS (1)



PRESSER MECHANISM & PRESSER VARIABLE COMPONENTS (1)

No.	Supply Code	Parts No.	Replacement	Parts name	Remarks	Choice	Step	Level	Cons	Qty	Rep. QTY
1		40025431		BUSHING						2	
2		40025427		INTERMEDIATE_PRESSER_SHAFT						1	
3		CQ303000000		OIL WICK						.1	
4		40030617		INTERMEDIATE_PRESSER_LINK_D						1	
5		40025012		ADJUSTING_ARM						1	
6		SM8060612TP		SCREW M6 L=6						1	
7		40068835		INTERMEDIATE_PRESSURE_LINK						1	
8		40025415		ADJUSTING_NUT						1	
9		WP0611626SP		WASHER 15X6X1.6						1	
10		SD0800746TP		SHOULDER SCREW						1	
11		40025428		ECCENTRIC_CAM						1	
12		SM8060612TP		SCREW M6 L=6						2	
13		40025011		CRANK_CONNECTING_ROD						1	
14		40068833		POSITIONING_LINK_SPRING_HOOK						1	
15		B1636581A00		NEEDLE BEARING A	SELECTIVE PARTS					1	
16		B1636581B00		NEEDLE BEARING B	SELECTIVE PARTS					1	
17		B1636581C00		NEEDLE BEARING	SELECTIVE PARTS					1	
18		B1636581D00		NEEDLE BEARING	SELECTIVE PARTS					1	
19		40012965		BEARING_SUPPORT_PLATE						2	
20		RC3781518KP		RETAINING RING						2	
21		TA0750404R0		PLUG D=7.5 L=3.5						1	
22		13122452		FEED BRANCH CRANK ASM.						1	
23		13122403		FEED BRANCH CRANK				*		1	
24		SM6061402TP		SCREW M6 L=14				*		1	
25		RC0650811KP		RETAINING RING						2	
26		40025429		ROD_CONNECTING_SHAFT						1	
27		WP1221016SP		WASHER						1	
28		40068834		POSITIONING_LINK						1	
29		40024988		POSITIONING_LINK_B						1	
30		SS1110640TP		SCREW 11/64-40 L= 5.5						2	
31		40030620		INTERMEDIATE_PRESSER_LINK_B						1	
32		B1408180000		HINGE SCREW						1	
33		CS079073ASH		THRUST COLLAR ASM.						1	
34		SS8110410TP		SCREW 11/64-40 L= 3.5				*		2	
35		SD0800386TP		SHOULDER SCREW D=8 H=3.75						1	
36		40029419		LINK_CONNECTING_PLATE_WASHER						1	
37		SD1000506TP		SHOULDER SCREW D=10 H=4.95						1	
38		SD0800408TP		SHOULDER SCREW						1	
39		23610108		PRESSER BAR GUIDE BRACKET						1	
40		40024991		LINK_CONNECTING_PLATE						1	
41		SS6090910SP		SCREW 9/64-40 L=9						1	
42		SS7111810TP		SCREW 11/64-40 L=18						1	
43		40032798		PRESSER_BUSHING						1	
44		22907554		PRESSER SPRING REG NUT ASM.						1	
45	R	22907505	22907554	PRESSER SPRING REGULATOR				*		1	1.00
46	R	11071701	22907554	NUT				*		1	1.00

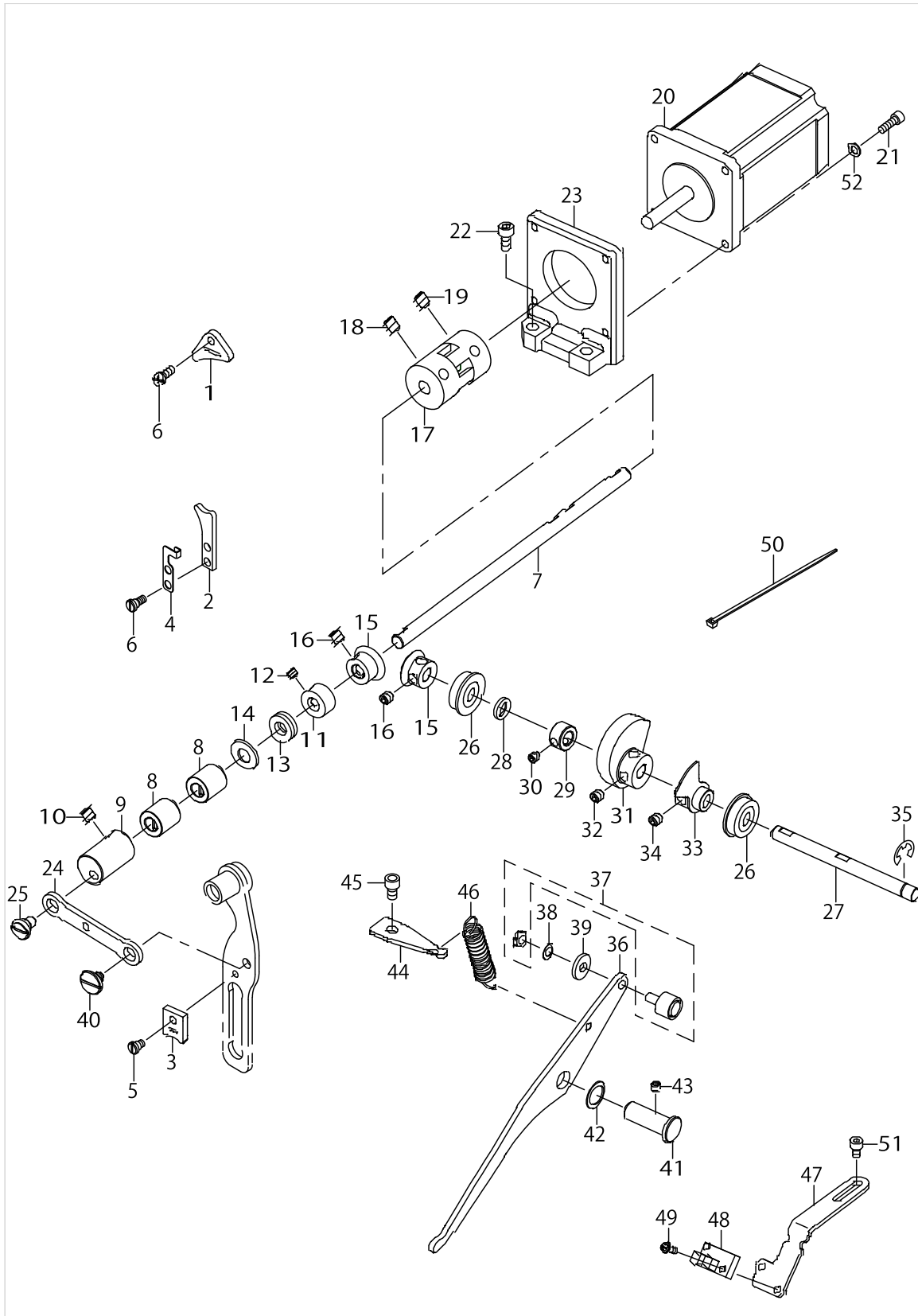
PRESSER MECHANISM & PRESSER VARIABLE COMPONENTS (1)



PRESSER MECHANISM & PRESSER VARIABLE COMPONENTS (1)

No.	Supply Code	Parts No.	Replacement	Parts name	Remarks	Choice	Step	Level	Cons	Qty	Rep. QTY
47		40030623		INTERMEDIATE_PRESSER_BAR						1	
48		B161121000A		INNER PRESSER SPRING						1	
49		40023631		PRESSER GUIDE BAR						1	
50		40023632		INTERMEDIATE PRESSER A						1	
51		SM7751160TP		SCREW						1	
52		SM6040802TP		SCREW M4X0.7 L=8						2	
53		B1634210D00		FINGER GUARD						1	
54		WP0430800SC		WASHER M4						2	
55		40030621		INTERMEDIATE_PRESSER_SPRING_B						1	
56		SD0800656TP		SHOULDER SCREW						1	
57		TA0550604R0		RUBBER PLUG						2	
58		40068829		PRESSURE_VARIABLE_PLATE_ASM.						1	
59		40038832		DIVISIBLE CREASING GAUGE ASM.F082						1	
60		SD1002206TP		SHOULDER SCREW D=10 H=22						1	
61		SD0800336TP		SHOULDER SCREW						1	
62		40030616		INTERMEDIATE_PRESSER_LINK_C						1	
63		40030628		SLIDE_BLOCK_A	SELECTIVE PARTS					1	
64		40030629		SLIDE_BLOCK_B	SELECTIVE PARTS					1	
65		40030630		SLIDE_BLOCK_C	SELECTIVE PARTS					1	

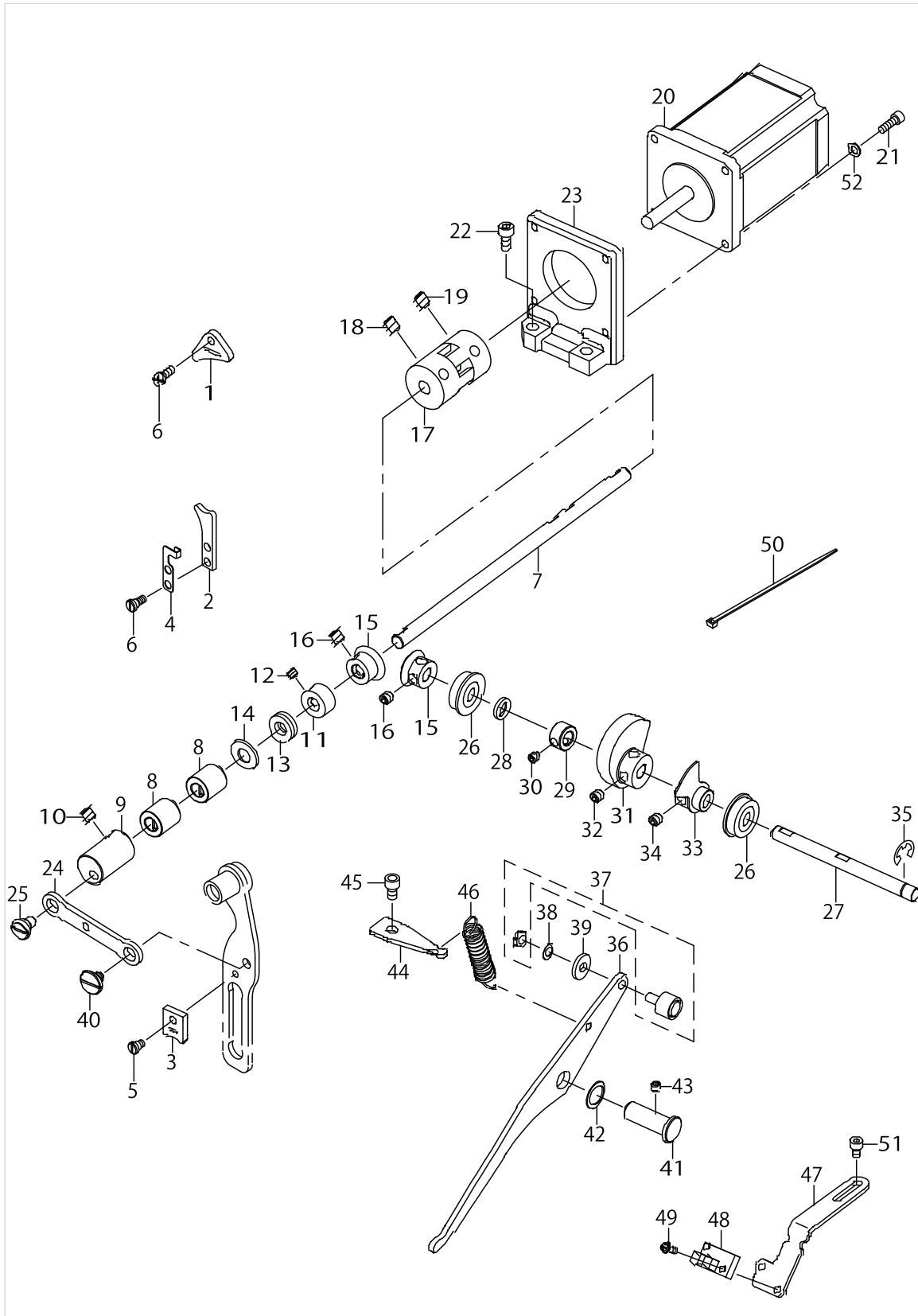
PRESSER MECHANISM & PRESSER VARIABLE COMPONENTS (2)



PRESSER MECHANISM & PRESSER VARIABLE COMPONENTS (2)

No.	Supply Code	Parts No.	Replacement	Parts name	Remarks	Choice	Step	Level	Cons	Qty	Rep. QTY
1		40030625		FACE_FELT_A						1	
2		40030626		FACE_FELT_B						1	
3		40030627		FACE_FELT_C						1	
4		40026817		FACE_FELT_B_SUPPORT						1	
5		40029420		FELT_SCREW_C						1	
6		40032483		FELT_SCREW_AB						3	
7		40025421		PRESSER_VARIABLE_SHAFT						1	
8		40025423		BUSHING B						2	
9		40026819		PRESSER_VARIABLE_ARM						1	
10		SM8480652TP		SCREW						2	
11		CS0800881TP		THRUST COLLAR						1	
12		SM8050412TP		SCREW M5 L=4						2	
13		SB408000100		BEARING						1	
14		WP0850002SP		WASHER 8.5X18X1.6						1	
15		40030615		PRESSER_LIFT_GEAR						2	
16		SM8060612TP		SCREW M6 L=6						4	
17		40030619		INTERMEDIATE_PRESSER_COUPLING						1	
18		SM8060812TP		SCREW M6 L=8						2	
19		SM8060802TP		SCREW M6 L=8						2	
20		40029628		INSIDE PRESSURE MOTOR						1	
21		SM6041202TP		SCREW M4X0.7 L=12						4	
22		SM6061802TP		SCREW M6 L=18						2	
23		40025010		PRESSER_MOTOR_BRACKET						1	
24		40024989		PRESSER_VARIABLE_LINK						1	
25		SD0800337TP		SHOULDER SCREW						1	
26		SB108000500		RADIAL BEARING						2	
27		40025426		PRESSER_LIFT_SHAFT						1	
28		WZ0850302K0		WAVED WASHER 8.5X12.5X0.3						1	
29		CS0800881TP		THRUST COLLAR						1	
30		SM8050412TP		SCREW M5 L=4						2	
31		40025016		LIFTING_CAM						1	
32		SM8060612TP		SCREW M6 L=6						2	
33		40025418		SENSOR_SLIT_ASM						1	
34		SM8060612TP		SCREW M6 L=6						2	
35		RE0700000K0		E-RING 7						1	
36		40025030		LIFTING_LINK						1	
37		40027870		CAM FOLLOWER						1	
38		WP0520656SA		WASHER 5.2X9.5X0.6						1	
39		WP0522016SH		WASHER						1	
40		SD0800387TP		SHOULDER SCREW D=8 H=3.75						1	
41		B1641562000		FEED REGULATING ARM SHAFT						1	
42		26226001		WASHER						1	
43		SM8050612TP		SCREW M5X6						1	
44		40025420		LIFTER_LINK_SPRING_HOOK						1	
45		SM6050802TP		SCREW M5X0.8 L=8						1	
46		40003970		TENSION RELEASE RETURN						1	

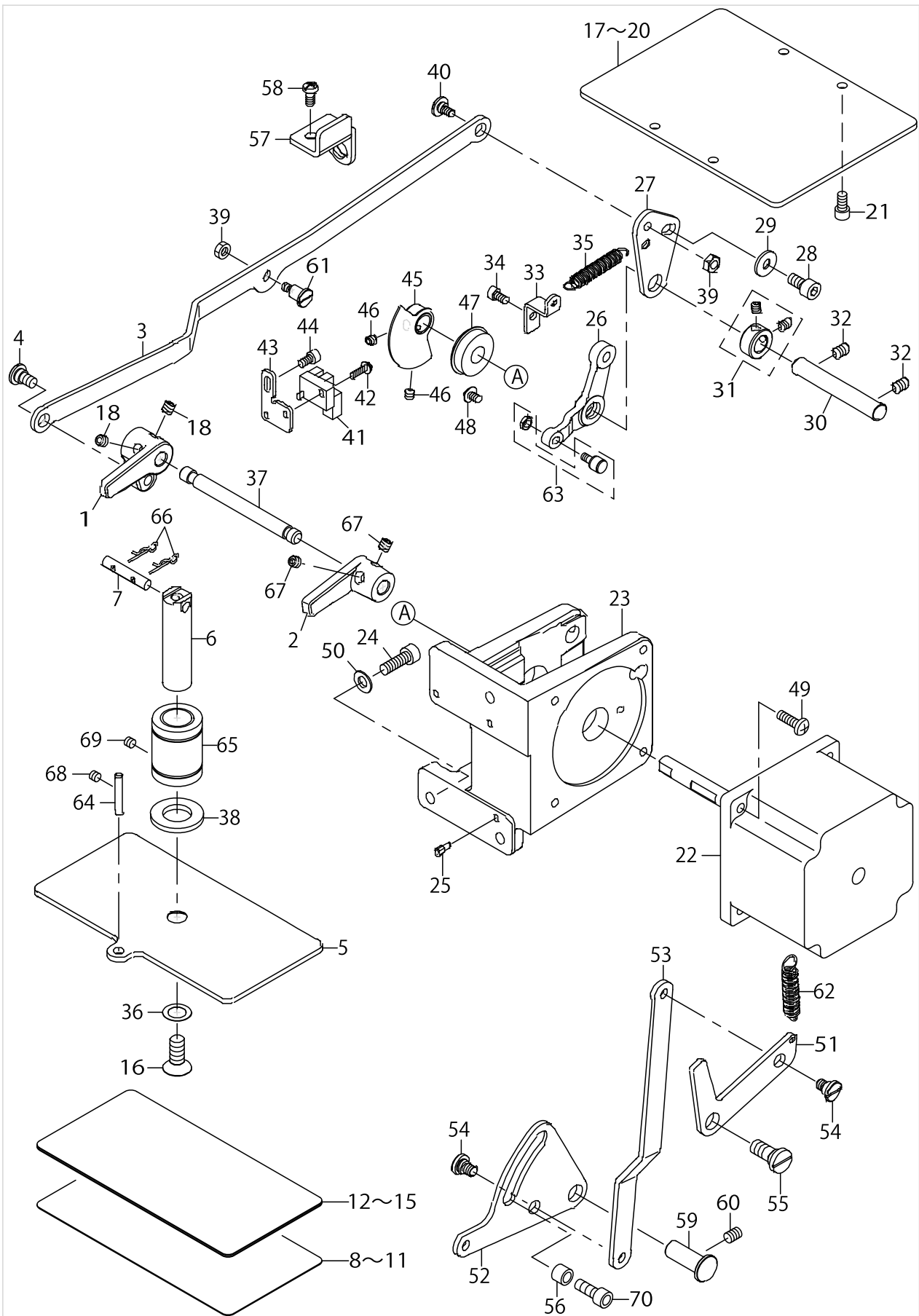
PRESSER MECHANISM & PRESSER VARIABLE COMPONENTS (2)



PRESSER MECHANISM & PRESSER VARIABLE COMPONENTS (2)

No.	Supply Code	Parts No.	Replacement	Parts name	Remarks	Choice	Step	Level	Cons	Qty	Rep. QTY
47		40025419		SENSOR,INSTALLING,BASE						1	
48		HD00057000A		PHOTO SENSOR						1	
49		SL4031081SF		SCREW M3 L=10						1	
50		EA9500B0100		CABLE BAND						1	
51		SM6040602TP		SCREW M4 L=6						2	
52		WP0450846SP		WASHER						4	

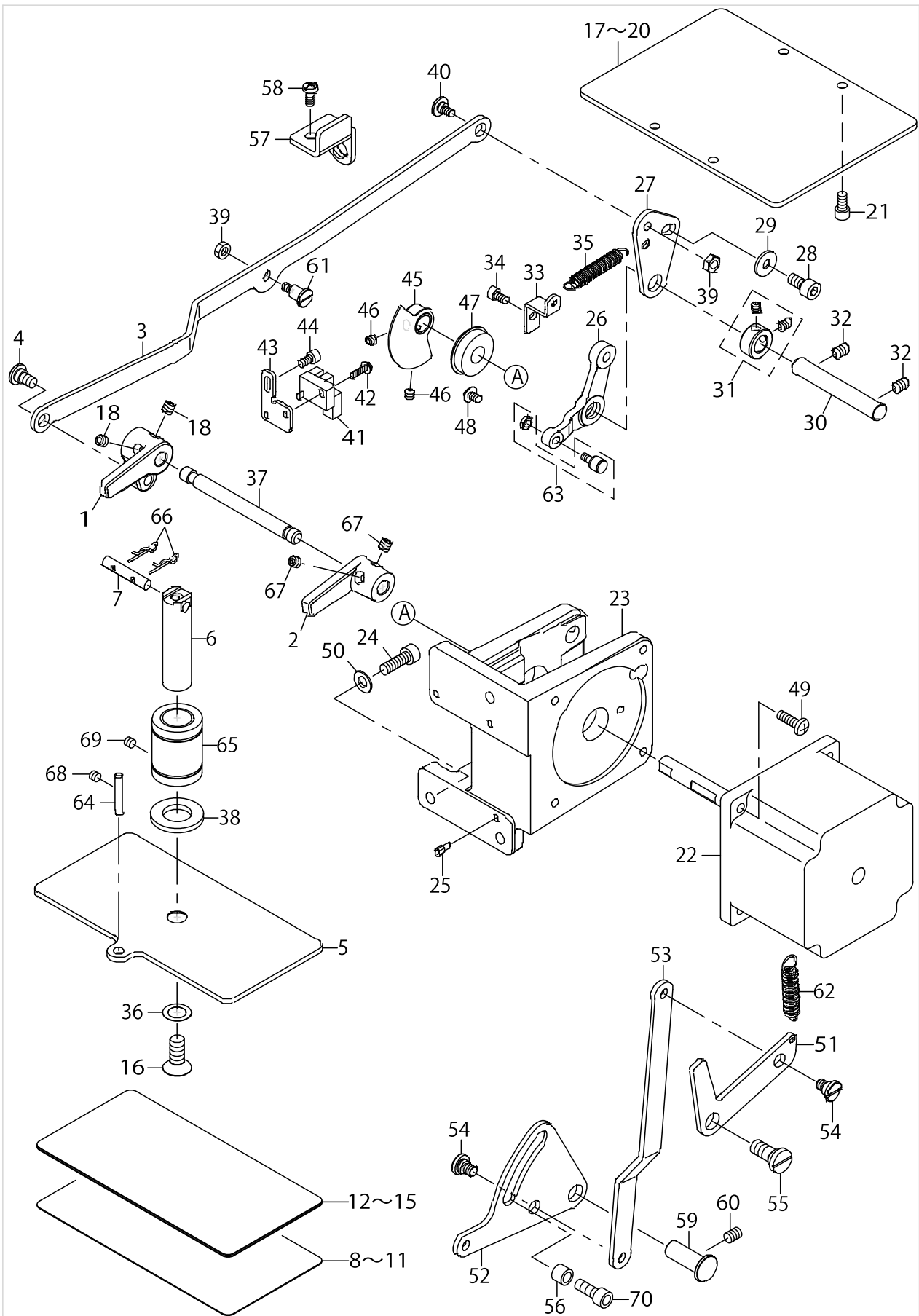
PRESSER PLATE & MANUAL PRESSER MECHANISM COMPONENTS



PRESSER PLATE & MANUAL PRESSER MECHANISM COMPONENTS

No.	Supply Code	Parts No.	Replacement	Parts name	Remarks	Choice	Step	Level	Cons	Qty	Rep. QTY
1		40024645		ARM_A	FOR AMS-- 210EHS,ESS					1	
2		40024646		ARM_B	FOR AMS-- 210EHS,ESS					1	
3		40030937		CONNECTING_LINK	FOR AMS-- 210EHS,ESS					1	
4		SD0800346TP		SHOULDER SCREW	FOR AMS-- 210EHS,ESS					1	
5		B1502210D00		PRESSER PLATE	FOR AMS-- 210EHS,ESS					1	
6		B1525210D00		PRESSER SHAFT	FOR AMS-- 210EHS,ESS					1	
7		40023626		PIN	FOR AMS-- 210EHS,ESS					1	
8		B1520210D00A		PRESSER PLATE SHEET	FOR AMS-- 210EHS,ES- S,EHL,ESL					1	
9		40078577		PRESSURE_PLATE_SEET	FOR AMS-- 210E-1510					1	
10		D1520D10D0D		PRESSURE_PLATE_SEET	FOR AMS-- 210E-2206					1	
11		40039538		PRESSURE_PLATE_SHEET	FOR AMS-- 210E-2210					1	
12		B1531210D00		PRESSER PLATE FITTING SHEET	FOR AMS-- 210EHS,ES- S,EHL,ESL					1	
13		40075878		PRESSURE_PLATE_FITTING_SEET	FOR AMS-- 210E-1510					1	
14		D1531D10D0D		PRESSURE_PLATE_FITTING_SEET	FOR AMS-- 210E-2206					1	
15		40039539		PRESSURE PLATE FITTING SHEET	FOR AMS-- 210E-2210					1	
16		B1516210D00		SCREW	FOR AMS-- 210EHS,ESS					1	
17		40032805		PRESSURE_PLATE	FOR AMS-- 210EHL,ESL					1	
18		40036470		PRESSURE_PLATE	FOR AMS-- 210E-1510					1	
19		40038558		PRESSURE_PLATE	FOR AMS-- 210E-2206					1	
20		40039537		PRESSURE_PLATE	FOR AMS-- 210E-2210					1	
21		SM6051002TP		SCREW M5X0.8 L=10	EXCEPT A- MS-210EHS,ESS					4	
22		40029629		PRESSURE FOOT MOTOR						1	
23		40028337		SOLENOID_BASE						1	
24		SM6061802TP		SCREW M6 L=18						3	
25		B1816215P00		GUIDE PIN						2	
26		40025009		PRESSER_LOWER_LINK_A	FOR AMS-- 210EHS,ESS					1	
27		40024996		PRESSER_LOWER_A- DJUSTING_LINK	FOR AMS-- 210EHS,ESS					1	
28		SM6061202TP		SCREW M6 L=12	FOR AMS-- 210EHS,ESS					1	
29		WP0611626SP		WASHER 15X6X1.6	FOR AMS-- 210EHS,ESS					1	
30		40025435		PRESSURE_LOWERING_SHAFT	FOR AMS-- 210EHS,ESS					1	
31		40010464		THRUST_COLLAR_ASM.	FOR AMS-- 210EHS,ESS					1	
32		SM8060812TP		SCREW M6 L=8	FOR AMS-- 210EHS,ESS					2	
33		40025436		LOWER_SPRING_HOOK	FOR AMS-- 210EHS,ESS					1	
34		SM6040802TP		SCREW M4X0.7 L=8	FOR AMS-- 210EHS,ESS					1	

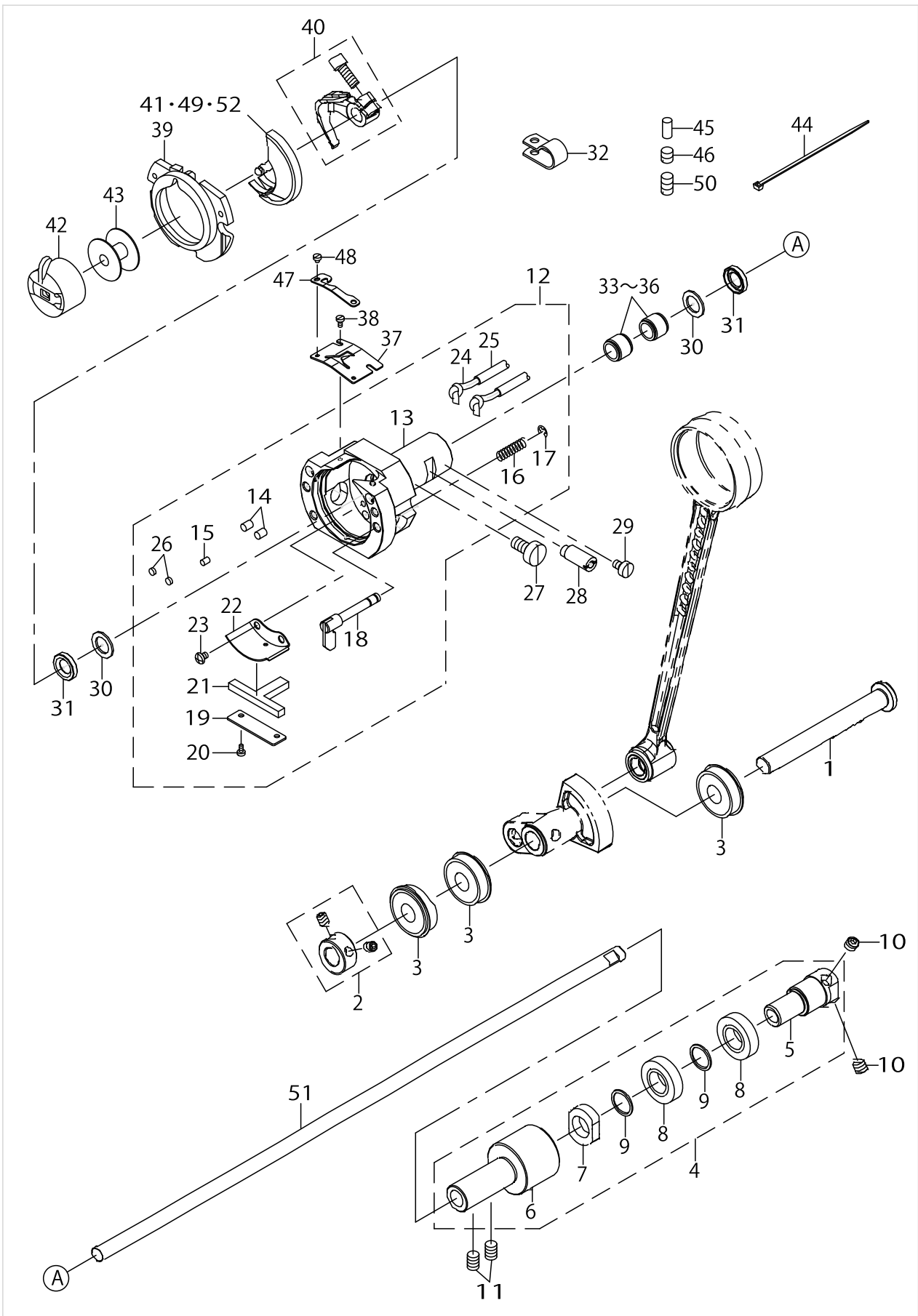
PRESSER PLATE & MANUAL PRESSER MECHANISM COMPONENTS



PRESSER PLATE & MANUAL PRESSER MECHANISM COMPONENTS

No.	Supply Code	Parts No.	Replacement	Parts name	Remarks	Choice	Step	Level	Cons	Qty	Rep. QTY
35		26226209		SPRING	FOR AMS-- 210EHS,ESS					1	
36		40023627		PRESSER PLATE SHEET WASHER	FOR AMS-- 210EHS,ESS					3	
37		40034922		PRESSERLINKSHAFT	FOR AMS-- 210EHS,ESS					1	
38		22931505		RUBBER WASHER	FOR AMS-- 210EHS,ESS					1	
39		NM6050001SP		NUT M5	FOR AMS-- 210EHS,ESS					2	
40		SD0800327TP		SHOULDER SCREW	FOR AMS-- 210EHS,ESS					1	
41		HD00057000A		PHOTO SENSOR						1	
42		SL4031291SC		SCREW M3X12						1	
43		40010443		SENSOR_INSTALLING_BASE						1	
44		SM6040802TP		SCREW M4X0.7 L=8						1	
45		40006666		SENSOR_SLIT_ASM.						1	
46		SM8050592TP		SCREW						2	
47		SB110002400		BEARING						1	
48		SM0040601SC		SCREW M4X0.7 L=6						1	
49		SM4051655SP		SCREW M5 L=16						4	
50		WP0651001SC		WASHER						3	
51		40024992		MANUAL_LOWER_PLATE	FOR AMS-- 210EHS,ESS					1	
52		40024993		MANUAL_LOWER_LEVER	FOR AMS-- 210EHS,ESS					1	
53		40024994		MANUAL_LOWER_LINK	FOR AMS-- 210EHS,ESS					1	
54		SD0800337TP		SHOULDER SCREW	FOR AMS-- 210EHS,ESS					2	
55		SD1000406TP		SHOULDER SCREW	FOR AMS-- 210EHS,ESS					1	
56		26228809		SLIDE ROLLER	FOR AMS-- 210EHS,ESS					1	
57		40024995		SPRING_HOOK	FOR AMS-- 210EHS,ESS					1	
58		SM4061255SP		SCREW M6 L=12	FOR AMS-- 210EHS,ESS					1	
59		13747001		BELL CRANK SHAFT	FOR AMS-- 210EHS,ESS					1	
60		SM8060812TP		SCREW M6 L=8	FOR AMS-- 210EHS,ESS					1	
61		SD0801006TP		SHOULDER SCREW D8 H10	FOR AMS-- 210EHS,ESS					1	
62		B1642210D00		INTERMEDIATE PRESSER SPRING B	FOR AMS-- 210EHS,ESS					1	
63		E3051802000		MINIATURE CAM FOLLOW	FOR AMS-- 210EHS,ESS					1	
64		B1527581000A		THREAD RELEASE PIN	FOR AMS-- 210EHS,ESS,EHL,ESL					1	
65		SB716000200		BEARING	FOR AMS-- 210EHS,ESS					1	
66		B1515210D00		PIN	FOR AMS-- 210EHS,ESS					2	
67		SM8060612TP		SCREW M6 L=6	FOR AMS-- 210EHS,ESS					4	
68		SM8050412TP		SCREW M5 L=4	FOR AMS-- 210EHS,ESS					1	
69		SM8050412TP		SCREW M5 L=4	FOR AMS-- 210EHS,ESS					1	
70		SM6061602TP		SCREW M6 L=16	FOR AMS-- 210EHS,ESS					1	

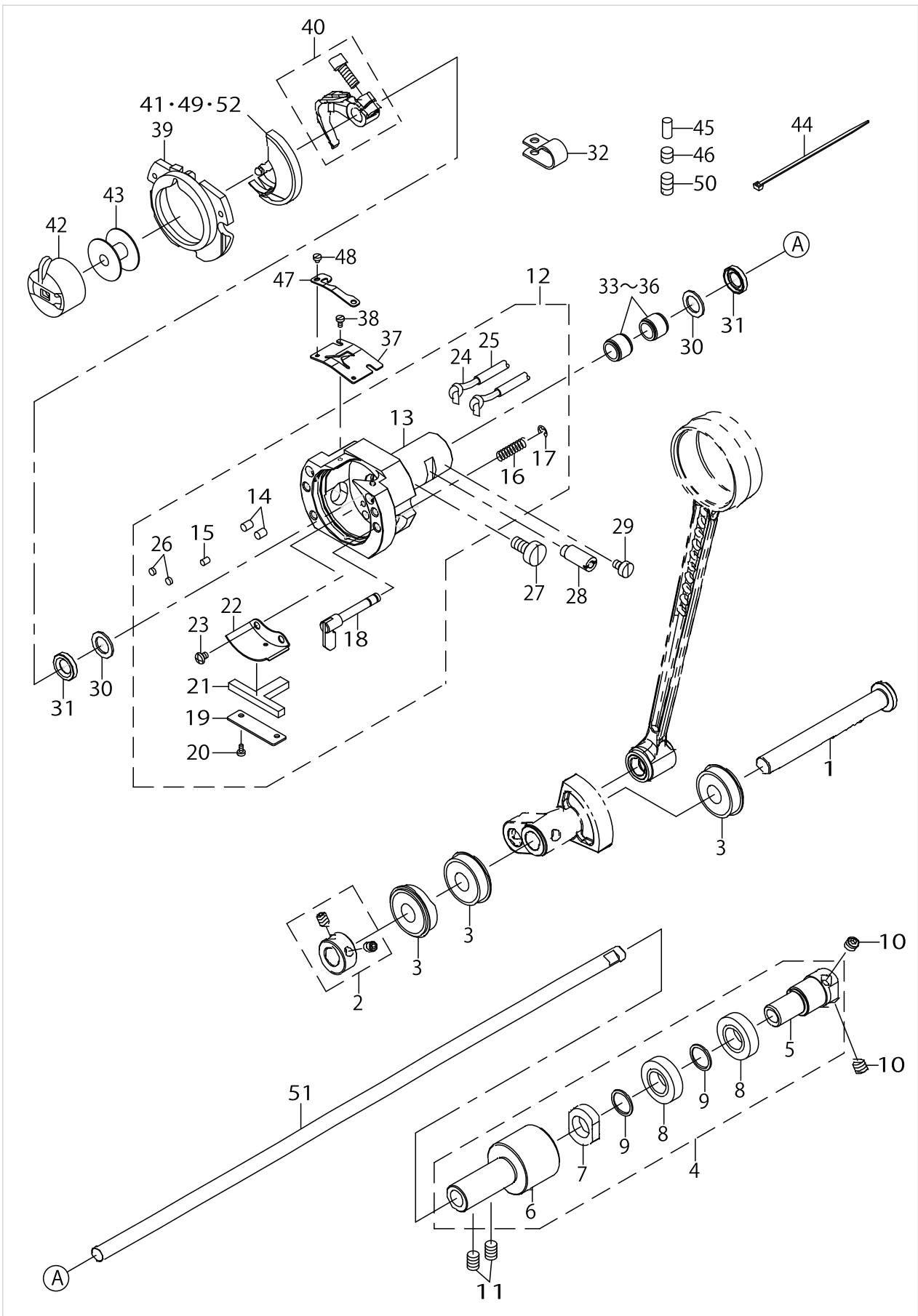
SHUTTLE DRIVER SHAFT COMPONENTS



SHUTTLE DRIVER SHAFT COMPONENTS

No.	Supply Code	Parts No.	Replacement	Parts name	Remarks	Choice	Step	Level	Cons	Qty	Rep. QTY
1		40024066		OSCILLATOR_SHAFT						1	
2		40010464		THRUST_COLLAR_ASM.						1	
3		SB110002400		BEARING						3	
4		40072009		LOWEW_SHAFT_GEAR_ASM						1	
5	R	40006567	40016077	LOWER_SHAFT_GEAR				*		1	1.00
6	R	40006569	40016077	LOWER_SHAFT_REAR_METAL				*		1	1.00
7		40024063		NUT				*		1	
8		SB112001700		BEARING				*		2	
9		40006317		LOWER SHAFT GEAR RING				*		2	
10		SM8060612TP		SCREW M6 L=6						2	
11		SM8060812TP		SCREW M6 L=8						2	
12		40032671		SHUTTLE_ASM.						1	
13	R	40006574	40089365	SHUTTLE				*		1	1.00
14		B1820210D00		SHUTTLE OIL FELT,A				*		2	
15		B1821210D00		SHUTTLE OIL FELT,B				*		1	
16		B1822215P00		INNER HOOK PRESSER SPRING				*		2	
17		RE0300000K0		E-RING 3				*		2	
18		26501858		INNER-HOOK-PRESSER COMPL.				*		2	
19		14104004		ONCE THROUGH OIL FELT PRESSER				*		1	
20		SM6020460TP		SCREW				*		2	
21		14103907		SHUTTLE ONCE TH-ROUGH OIL FELT				*		1	
22		40006577		SHUTTLE_LUBRICATING_PLATE				*		1	
23		SM4030455SP		SCREW				*		2	
24		CQ200000000		OIL WICK				*		2.8	
25		23630007		TUBE				*		0.9	
26		13529607		SHUTTLE PACKING				*		2	
27		40010470		SHUTTLE_ASM_SCREW						1	
28		40010471		SHUTTLE_RACE_ADJUSTING_SHAFT						1	
29		SM6040650TP		SCREW						1	
30		40010472		SHUTTLE_BEARING_RING						2	
31		40006576		SHUTTLE_OIL_SEAL						2	
32		HX00150000D		CABLE CLIP						1	
33		SB30800100A		BEARING	SELECTIVE PARTS					2	
34		SB30800100B		BEARING	SELECTIVE PARTS					2	
35		SB30800100C		BEARING	SELECTIVE PARTS					2	
36		SB30800100D		BEARING	SELECTIVE PARTS					2	
37		40036117		SHUTTLE UPPER SPRING						1	
38		SM6020460TP		SCREW						2	
39		14103352		INNER HOOK PRESSER ASM., B						1	
40		40014963		SHUTTLE DRIVER ASM.						1	
41		40061991		SHUTTLE(H)	TYPE H					1	
42		B1828210DAA		BOBBIN CASE ASM.						1	
43		B1806210D00		BOBBIN						1	
44		EA9500B0100		CABLE BAND						2	
45		40006578		OIL_WICK_PRESSER						1	

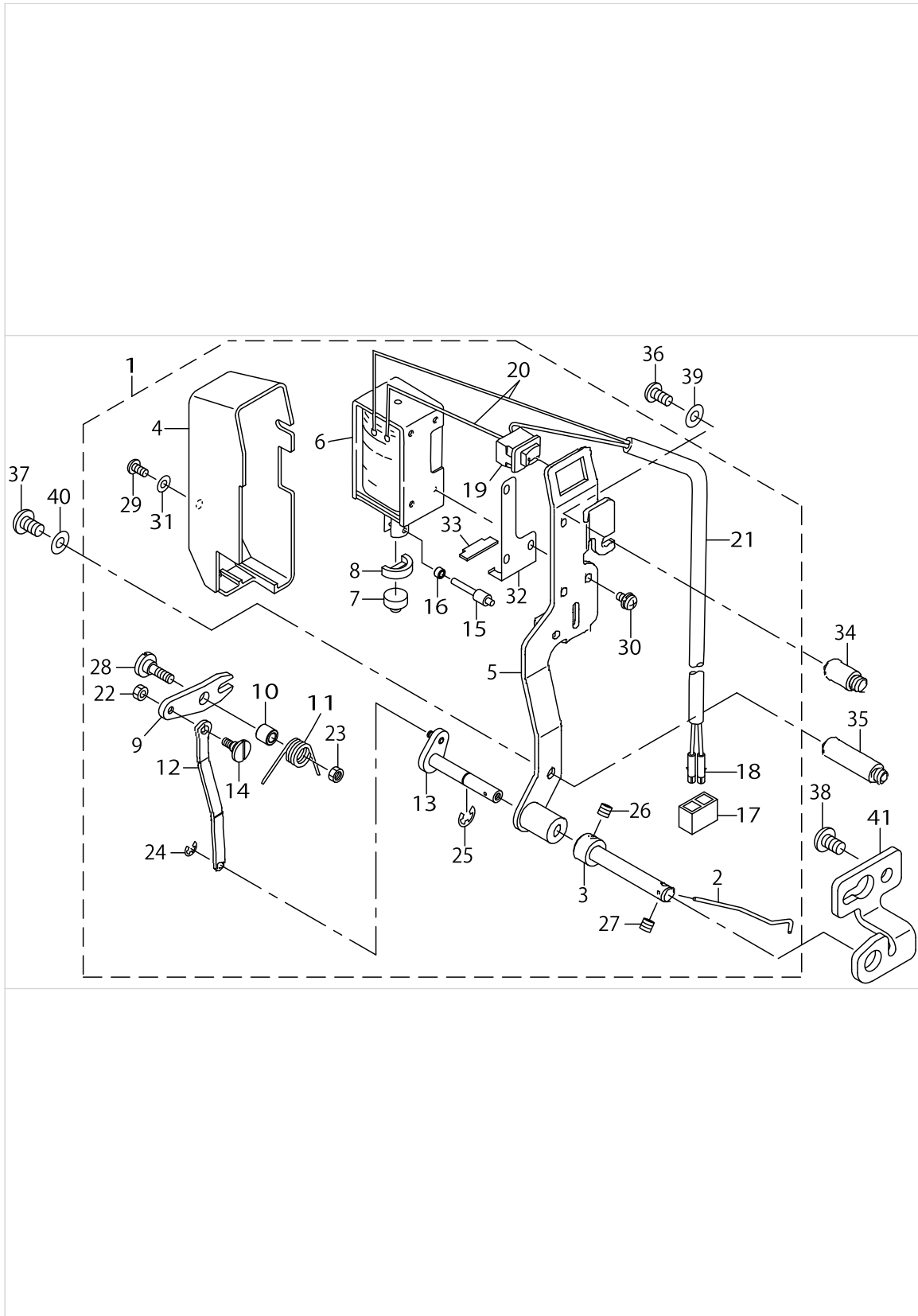
SHUTTLE DRIVER SHAFT COMPONENTS



SHUTTLE DRIVER SHAFT COMPONENTS

No.	Supply Code	Parts No.	Replacement	Parts name	Remarks	Choice	Step	Level	Cons	Qty	Rep. QTY
46		SM8060610TP		SCREW						1	
47		40036118		LOWER THREAD HOLDER						1	
48		SM6020250TP		SCREW						2	
49		40014964		SHUTTLE	TYPE S					1	
50		SM8061050TP		SCREW						1	
51		40024062		LOWER_SHAFT						1	
52		40014965		SHUTTLE(H)	OPTIONAL PARTS					1	

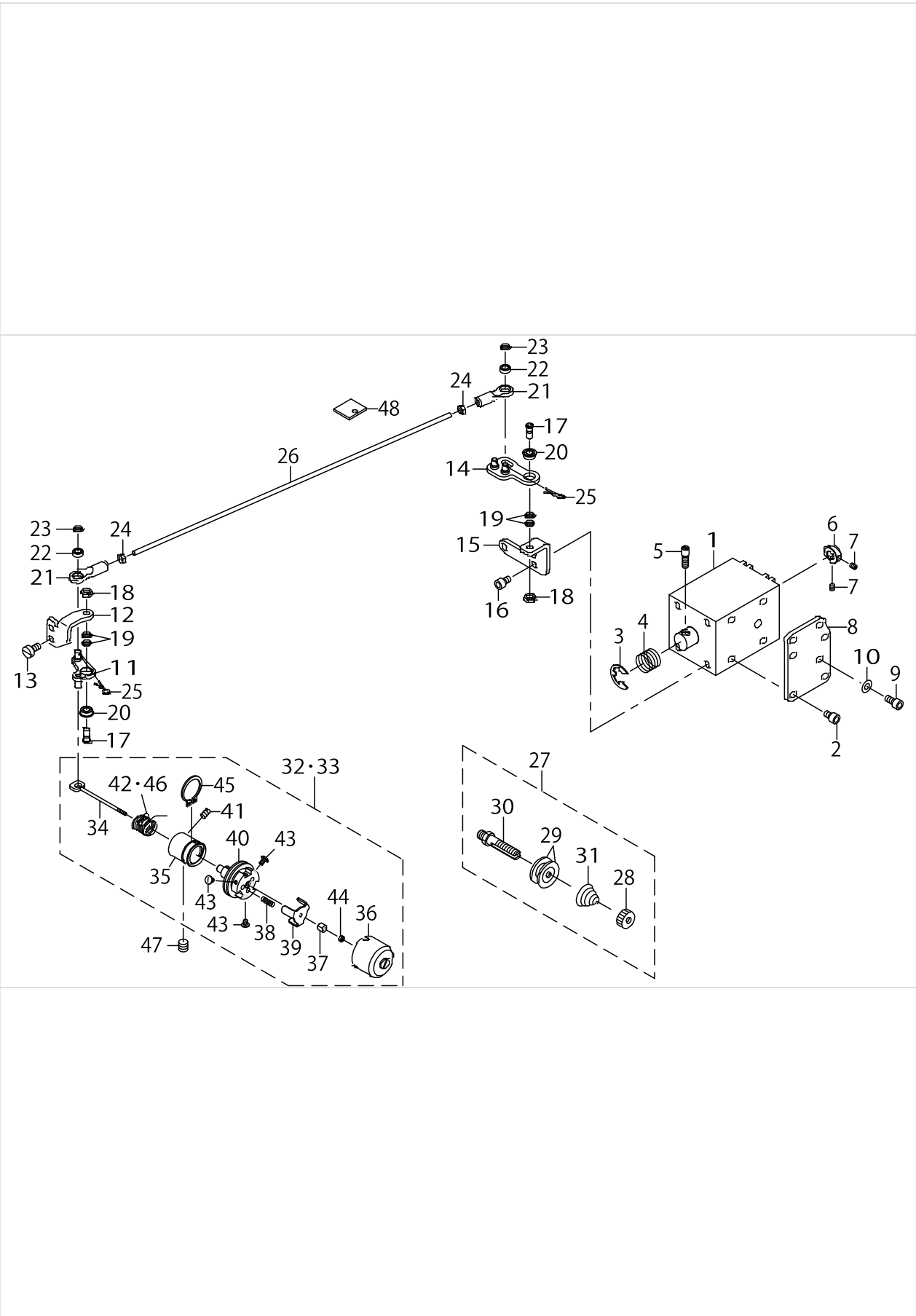
WIPER MECHANISM COMPONENTS



WIPER MECHANISM COMPONENTS

No.	Supply Code	Parts No.	Replacement	Parts name	Remarks	Choice	Step	Level	Cons	Qty	Rep. QTY
1		40030778		WIPER_ASM.						1	
2		B2107210D00		WIPER				*		1	
3		40025416		WIPER_SHAFT_CAP				*		1	
4		22955504		WIPER COVER				*		1	
5		40030780		WIPER_BASE_ASM.				*		1	
6		40030956		WIPER_SOLENOID				*		1	
7		22955900		WIPER RUBBER A				*		1	
8		22956007		WIPER RUBBER B				*		1	
9		22956106		WIPER LINK A				*		1	
10		22956205		WIPER HINGE SCREW COLLAR				*		1	
11		B2130210D00		WIPER SPRING				*		1	
12		40030779		WIPER_LINK_B				*		1	
13	R	11111051	40041419	WIPER DRIVING SHAFT ASM.				*		1	1.00
14		22956908		WIPER LINK B HINGE SCREW				*		1	
15		22957104		WIPER SOLENOID SHAFT				*		1	
16		22957203		WIPER LINK COLLAR				*		1	
17		HK034610020		2-POLE NYLON PLUG				*		1	
18		HK03464000B		PIN CONTACT				*		2	
19		HA006000000		SWITCH				*		1	
20		HW200390000		ELECTRIC WIRE				*		0.04	
21		HW500070000		2-CORE CABTYRE CORD				*		1.8	
22		NS6090310SP		NUT 9/64-40				*		1	
23		NS6110310SP		NUT 11/64-40				*		1	
24		RE0250000K0		E-RING 2.5				*		1	
25		RE0500000K0		E-RING				*		1	
26		SM8040412TP		SET SCREW M4 L=4				*		1	
27		SM8040412TP		SET SCREW M4 L=4				*		1	
28		SD0650321TP		HINGE SCREW D=6.5 H=3.2				*		1	
29		SM4030601SN		SCREW M3 X 6				*		1	
30		SL4030641SE		SCREW				*		3	
31		WP0320501SC		WASHER M3				*		1	
32		40037500		RUBBER HOLDER				*		1	
33		40037501		STOPPER RUBBER				*		1	
34		40025440		WIPER_STUD_TOP						1	
35		40025441		WIPER_STUD_BOTTOM						1	
36		SM4040855SP		SCREW						1	
37		SM4050855SP		SCREW						1	
38		SM4050855SP		SCREW						2	
39		WP0450801SD		WASHER 4.5X10X0.8						1	
40		WP0531001SC		WASHER						1	
41		B2110210D00		WIPER SHAFT SUPPORT BRACKET						1	

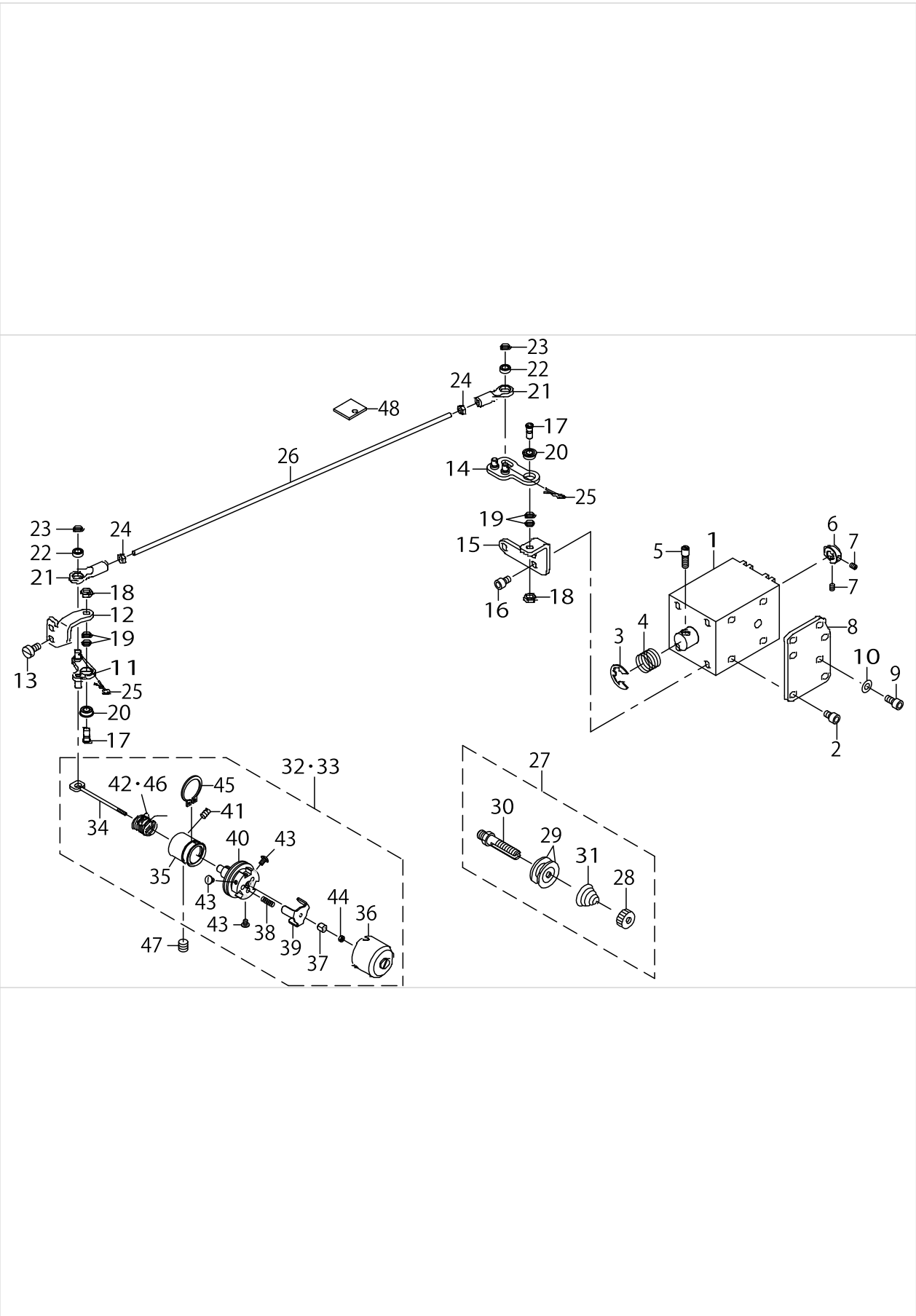
TENSION RELEASE & THREAD TENSION COMPONENTS



TENSION RELEASE & THREAD TENSION COMPONENTS

No.	Supply Code	Parts No.	Replacement	Parts name	Remarks	Choice	Step	Level	Cons	Qty	Rep. QTY
1		40032539		AT_SOLENOID						1	
2		SM6040602TP		SCREW M4 L=6						4	
3		RE0900000K0		E-RING 9						1	
4		40006625		SPRING						1	
5		40006617		AT_SOL_PIN						1	
6		40010477		AT_SOL_COLLAR						1	
7		SM8030412TP		SCREW						2	
8		40010479		AT_PLATE						1	
9		SM6040802TN		SCREW						2	
10		WP0430801SC		WASHER 4.3X9X0.8						2	
11		40024070		AT_DRIVE_LINK(F)_ASM.						1	
12		40023993		AT_PIVOT_BASE(F)						1	
13		SM6040860TP		SCREW M4 L=8						2	
14		40024068		AT_DRIVE_LINK(R)_ASM.						1	
15		40023999		AT_PIVOT_BASE(R)						1	
16		SM6040602TP		SCREW M4 L=6						2	
17		40010487		AT_PIVOT_SCREW						2	
18		NM6040003SC		NUT M4						2	
19		40010489		AT_PIVOT_SCREW_WASHER						4	
20		40010490		AT_PIVOT_BEARING						2	
21		40010497		AT_JOINT						2	
22		40010498		AT_JOINT_BEARING						2	
23		40010489		AT_PIVOT_SCREW_WASHER						2	
24	R	40010499	NM6030001SC	AT_JOINT_NUT						2	1.00
25		40006622		AT_SNAP_PIN						2	
26		40023997		AT_CONNECTION_BAR						1	
27		40010503		THREAD_TENSION_1_ASM.						1	
28		22928808		NUT				*		1	
29		22921506		THREAD TENSION DISK				*		2	
30	R	40010504	40010503	THREAD_TENSION_SHAFT				*		1	1.00
31		26218602		FIRST THREAD TENSION SPRING				*		1	
32		40029411		THREAD_TENSION_2_ASM_H	TYPE H					1	
33		40010508		THREAD_TENSION_2_ASM.	TYPE S					1	
34		40010509		TENSION RELEASE PIN				*		1	
35		40010510		THREAD_TENSION_POST_BASE				*		1	
36		40010511		DISK_STOPPER HOLDER_CAP				*		1	
37		40010512		THREAD_TENSION_SHAFT_COLLAR				*		1	
38		40010513		DISK_STOPPER_SPRING				*		3	
39		40010514		DISK_STOPPER				*		1	
40		40010515		ASSY_THREAD_TENSION_POST				*		1	
41	R	40011359	40010508	POST_BASE_SCREW				*		1	1.00
42		40029412		THREAD_TAKE-UP_SPRING_H	TYPE H			*	☆	1	
43		40010521		HOLD_CAP_SCREW				*		3	
44		40010522		SHAFT_NUT				*		1	
45	R	40010523	40010508	POST_BASE_C_RING				*		1	1.00
46		22921605		THREAD TAKE-UP SPRING	TYPE S			*	☆	1	

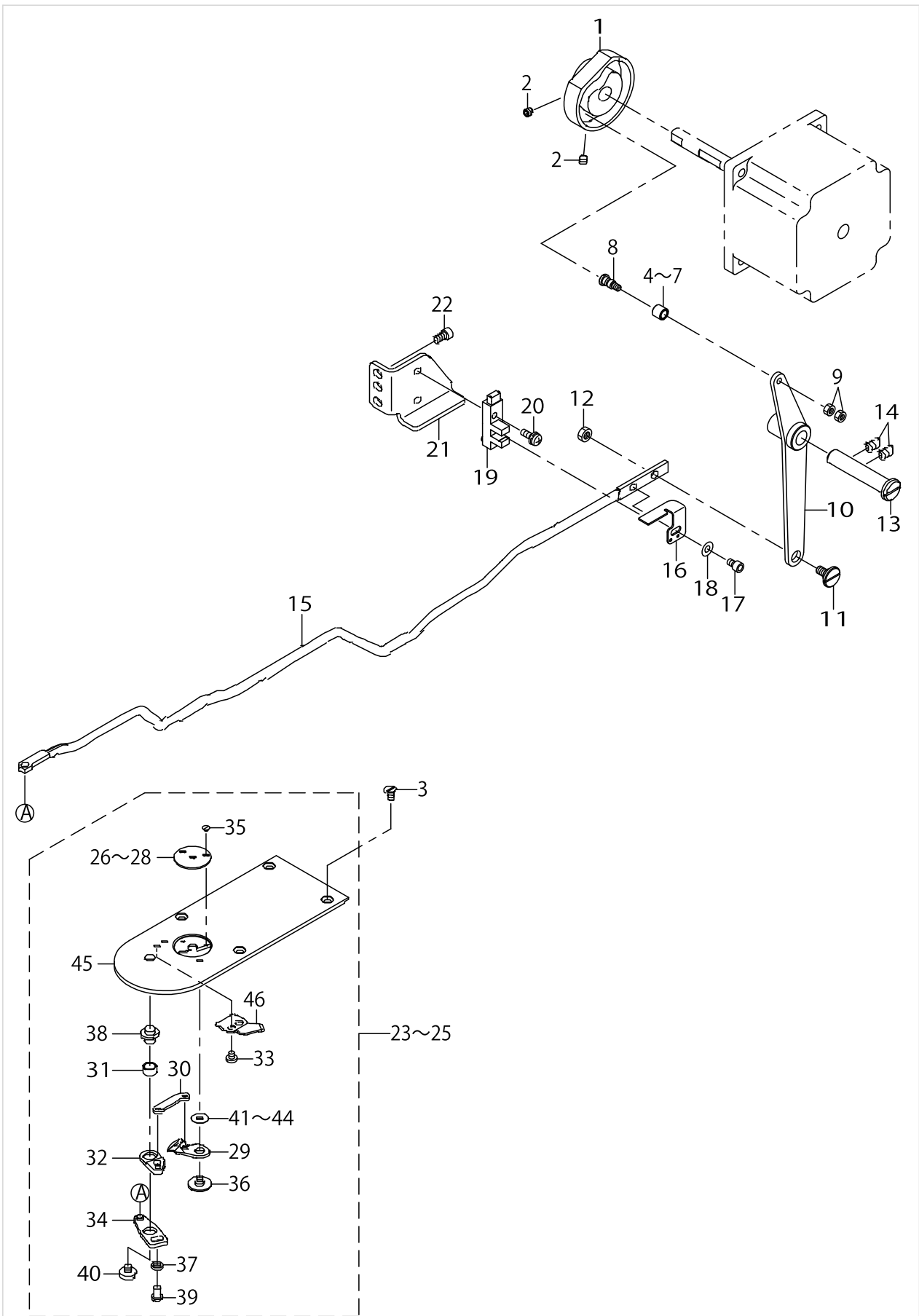
TENSION RELEASE & THREAD TENSION COMPONENTS



TENSION RELEASE & THREAD TENSION COMPONENTS

No.	Supply Code	Parts No.	Replacement	Parts name	Remarks	Choice	Step	Level	Cons	Qty	Rep. QTY
47		SM8061612TP		SCREW M6X16						1	
48		40013967		AT FELT						1	

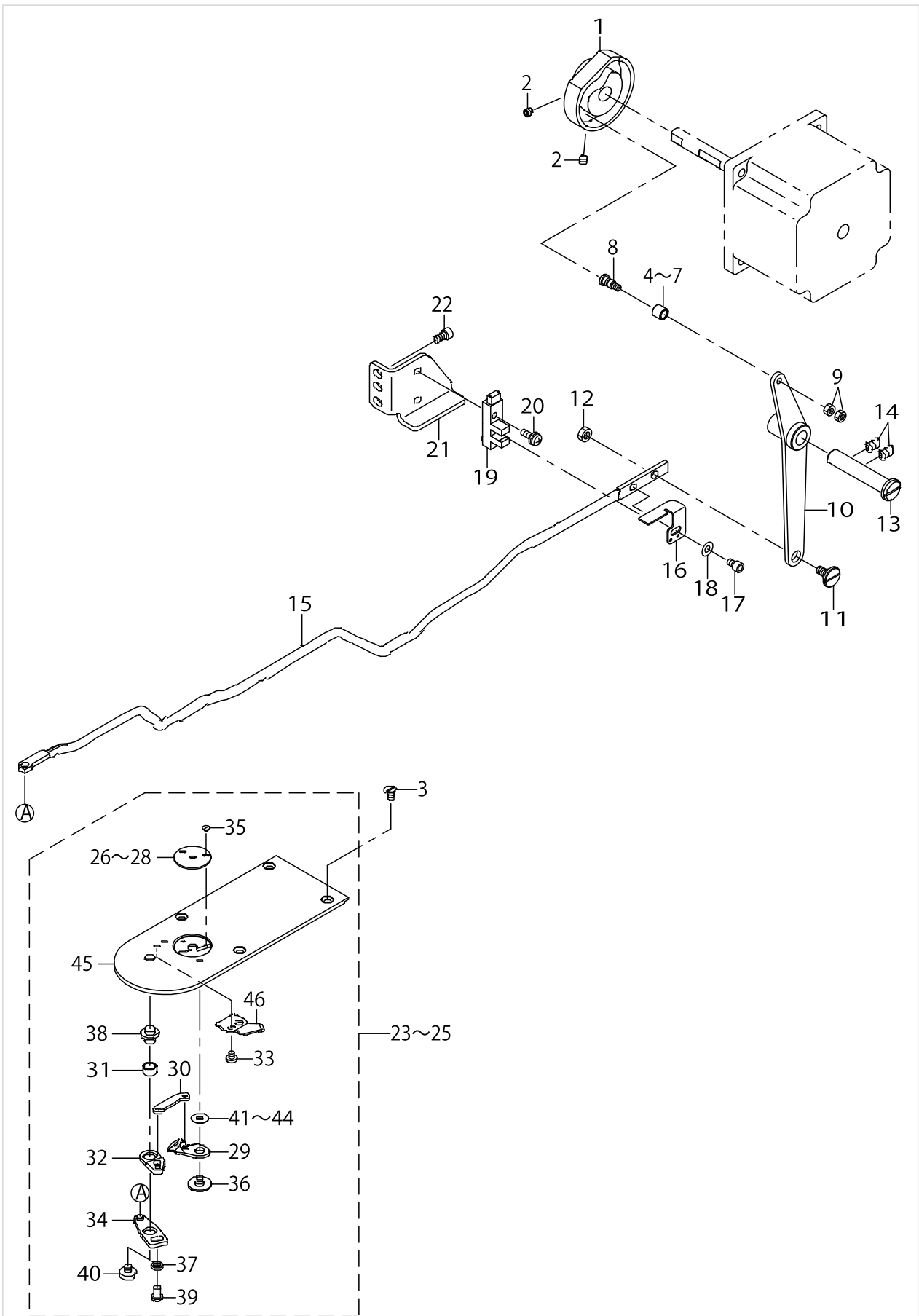
THREAD TRIMMER MECHANISM COMPONENTS



THREAD TRIMMER MECHANISM COMPONENTS

No.	Supply Code	Parts No.	Replacement	Parts name	Remarks	Choice	Step	Level	Cons	Qty	Rep. QTY
1		40030936		THREAD_TRIMMER_CAM						1	
2		SM8050592TP		SCREW						2	
3		SM1040870TP		SCREW						4	
4		23517501		NEEDLE CAM ROLLER A	SELECTIVE PARTS					1	
5		23517600		NEEDLE CAM ROLLER B	SELECTIVE PARTS					1	
6		23517709		NEEDLE CAM ROLLER C	SELECTIVE PARTS					1	
7		23517808		NEEDLE CAM ROLLER D	SELECTIVE PARTS					1	
8		40040256		ROLLER_SHAFT						1	
9		NM6040001SP		NUT M4X0.7						2	
10		40006712		THREAD_TRIMMER_LINK_ASM.						1	
11		SD0800327TP		SHOULDER SCREW						1	
12		NM6050001SP		NUT M5						1	
13		40023624		THREAD_TRIMMER_SHAFT						1	
14		SM8060812TP		SCREW M6 L=8						2	
15		40030935		CONNECTING_BAR						1	
16		40010525		THREAD_TRIMMER_SENSOR_SLIT						1	
17		SM6040602TP		SCREW M4 L=6						1	
18		WP0450801SP		WASHER						1	
19		HD002230000		PHOTO SENSOR						1	
20		SL4041291SC		SCREW M4 L=12						1	
21		40028873		THREAD_TRIMMER_SENSOR_B						1	
22		SM6040802TP		SCREW M4X0.7 L=8						2	
23		40030932		NEEDLE_PLATE_ASM.	TYPE S					1	
24		40030933		NEEDLE_PLATE_H_ASM.	TYPE H					1	
25		40073085		NEEDLE_PLATE_H_2.4_ASM.	OPTIONAL PARTS					1	
26		B242621000A		NEEDLE HOLE GUIDE D=1.6	TYPE S			*	☆	1	
27		B242621000B		NEEDLE HOLE GUIDE D=2.0	TYPE H			*	☆	1	
28		B242621000D		NEEDLE HOLE GUIDE D=2.4	OPTIONAL PARTS			*	☆	1	
29		B2421210AA0		MOVING KNIFE COMPL.				*	☆	1	
30		B2418280000		MOVING KNIFE LINK				*		1	
31		B2416280000		THREAD CUTTING LEVER RING				*		1	
32		B24152800A0		THREAD CUTTER L- EVER ASM., SMALL				*		1	
33		SS7090410SP		SCREW 9/64-40 L= 3.5				*		1	
34		B24142800A0		THREAD CUTTER L- EVER ASM., LARGE				*		1	
35		SS1060210TP		SCREW 3/32-56 L=2.2				*	☆	2	
36		B2417210000		MOVING KNIFE HINGE SCREW				*		1	
37		WP0450846SP		WASHER				*		1	
38		B2417280000		THREAD CUTTER LEVER SHAFT				*		1	
39		SS7110740TP		SCREW 11/64-40 L=7				*		1	
40		SS6110430TP		SCREW 11/64-40 L= 4.0				*		1	
41		B242328000D		MOVING KNIFE WASHER D	SELECTIVE PARTS			*		1	
42		B242328000C		MOVING KNIFE WASHER C	SELECTIVE PARTS			*		1	
43		B242328000A		MOVING KNIFE WASHER A	SELECTIVE PARTS			*		1	
44		B242328000B		MOVING KNIFE WASHER B	SELECTIVE PARTS			*		1	
45		40030934		NEEDLE_PLATE				*		1	

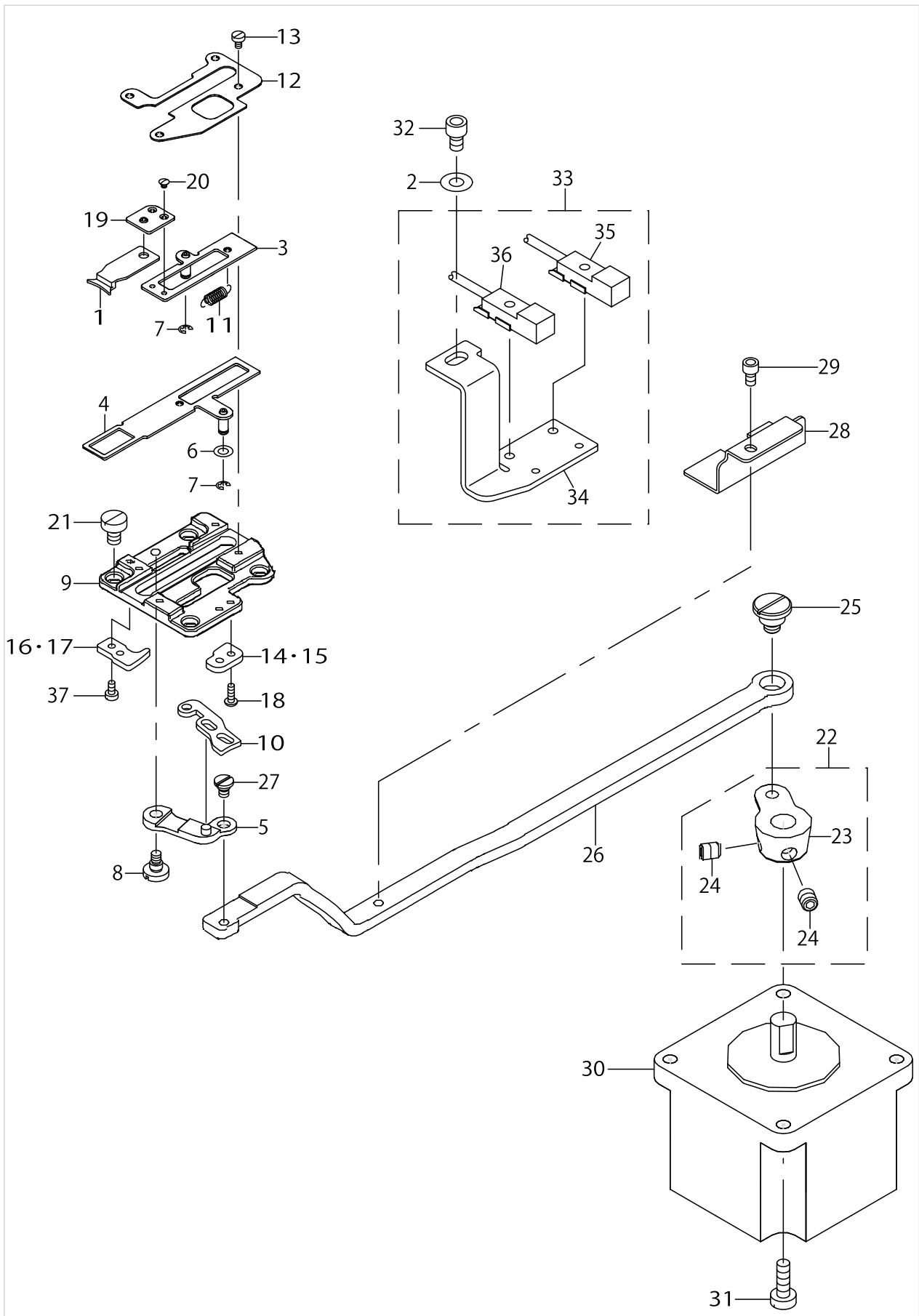
THREAD TRIMMER MECHANISM COMPONENTS



THREAD TRIMMER MECHANISM COMPONENTS

No.	Supply Code	Parts No.	Replacement	Parts name	Remarks	Choice	Step	Level	Cons	Qty	Rep. QTY
46		B2424210000		COUNTER KNIFE				*	☆	1	

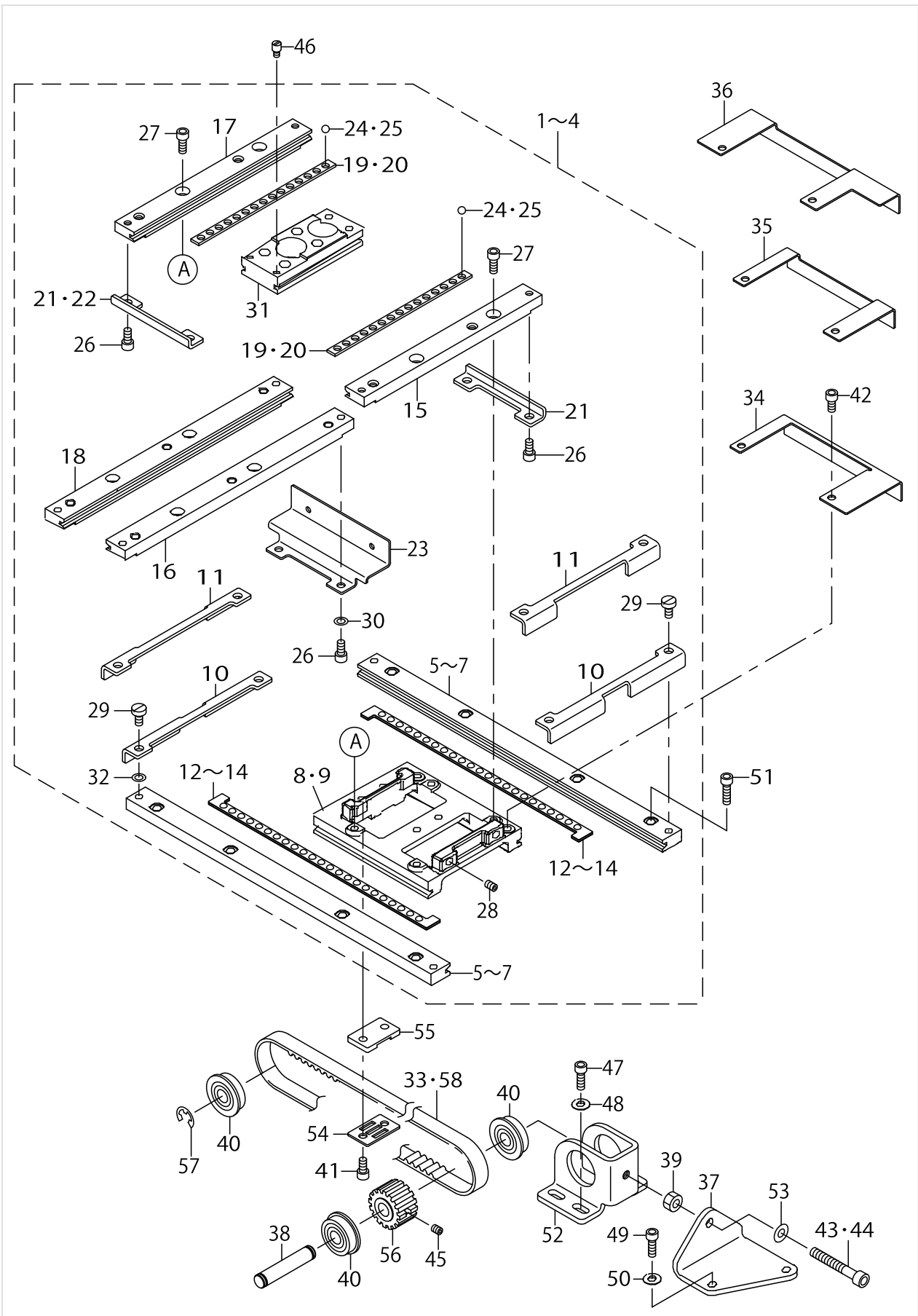
THREAD CLAMP COMPONENTS



THREAD CLAMP COMPONENTS

No.	Supply Code	Parts No.	Replacement	Parts name	Remarks	Choice	Step	Level	Cons	Qty	Rep. QTY
1		40006761		TC_CLAMP						1	
2		WP0450801SP		WASHER						1	
3		40006762		TC_CLAMP_PLATE_ASM.						1	
4		40006765		TC_SUPPERT_PLATE_ASM.						1	
5		40015800		TC_LINK_ASM.						1	
6		WP0320500SC		WASHER M3						1	
7		RE0200000K0		E-RING						2	
8		SD0400266TP		SHOULDER SCREW						1	
9		40010589		TC BASE						1	
10	R	40006772	40010590	TC_CAM_PLATE						1	1.00
11		40006780		TC_SPRING						1	
12		40006781		TC_BASE_COVER						1	
13		SM6020350SP		SCREW M2 L=2.5						4	
14		40006782		TC_NOTCH_R	TYPE S					1	
15		40030943		TC_NOTCH_R_H	TYPE H					1	
16		40006777		TC_NOTCH_F	TYPE S					1	
17		40030942		TC_NOTCH_F_H	TYPE H					1	
18		SM4020600SP		SCREW M2 L=6						2	
19	R	40006768	40012815	TC_JOINT_ASM.						1	1.00
20		SM2360110TP		SCREW						2	
21		SM6040650TP		SCREW						4	
22		40010527		TC_DRIVING_ARM_ASM.						1	
23	R	40010528	40010527	TC_DRIVING_ARM				*		1	1.00
24	R	40011152	40010527	TC_ARM_SCREW				*		2	1.00
25		SD0800407TP		SHOULDER SCREW						1	
26		40030940		TC_CONNECTING_LINK						1	
27		SD0350156TP		SHOULDER SCREW						1	
28		40033191		SENSOR_SLIT						1	
29		SM6030502TP		BOLT M3X5						1	
30		40029630		THREAD HOLD MOTOR						1	
31		SM6041202TP		SCREW M4X0.7 L=12						4	
32		SM6040602TP		SCREW M4 L=6						1	
33		40032508		TH_SENSOR_ASM.						1	
34		40033190		SENSOR_INSTALLING_BASE				*		1	
35	R	HD00204000A	HD00203000A	SENSOR				*		1	1.00
36	R	HD00204000B	HD00203000B	SENSOR				*		1	1.00
37		SM6020450TP		SCREW						2	

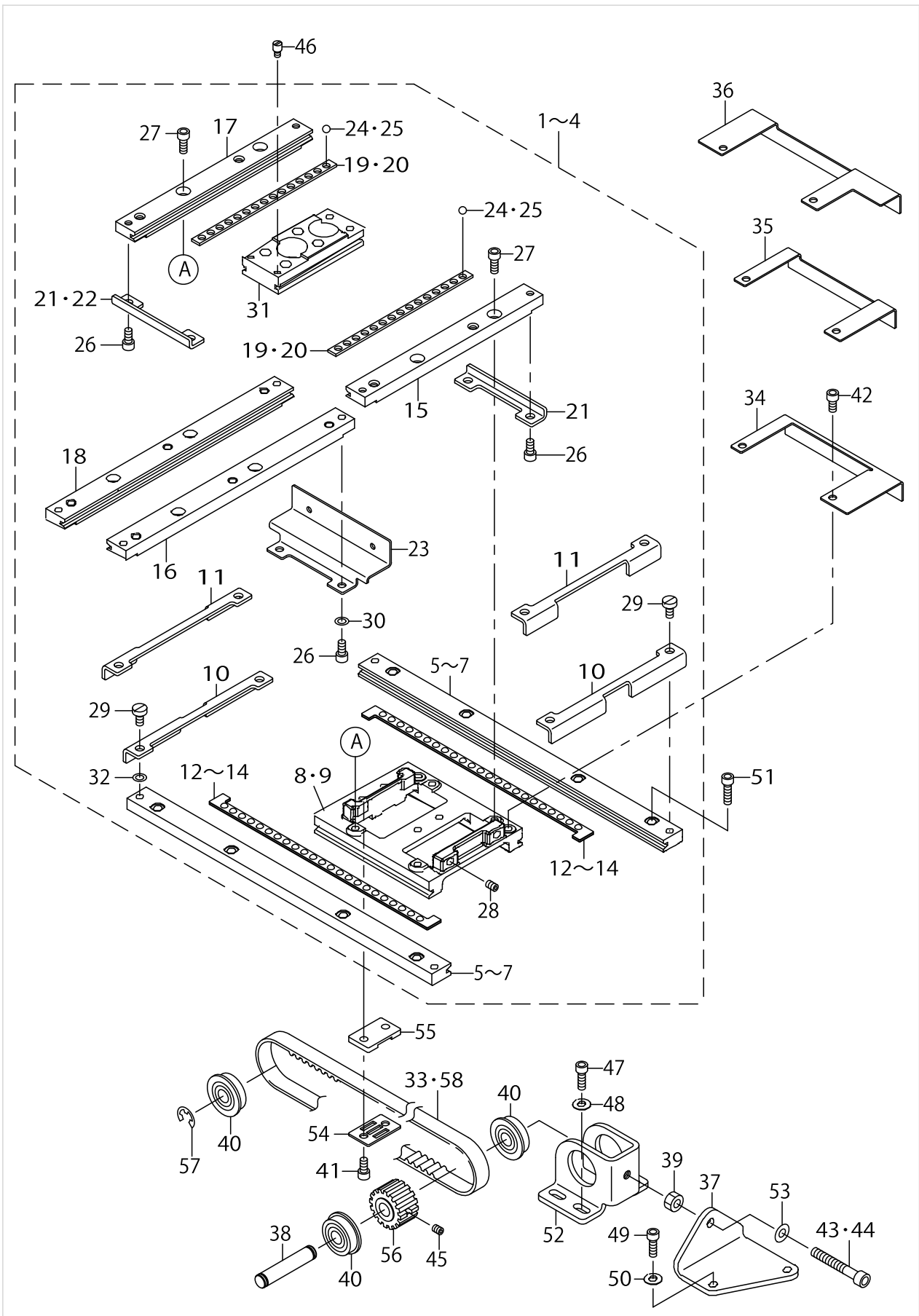
X-Y COMPONENTS (1)



X-Y COMPONENTS (1)

No.	Supply Code	Parts No.	Replacement	Parts name	Remarks	Choice	Step	Level	Cons	Qty	Rep. QTY
1		40030944		X-Y_TABLE_COMPL.	FOR AMS-- 210EHS,ES- S,EHL,ESL					1	
2		40033144		X-Y_TABLE_ASM	FOR AMS-- 210E-1510					1	
3		40038561		X-Y_TABLE_ASM	FOR AMS-- 210E-2206					1	
4		40039540		X-Y_TABLE_ASM	FOR AMS-- 210E-2210					1	
5		40030945		X_FIXED_RACE	FOR AMS-- 210EHS,ES- S,EHL,ESL			*		2	
6		40033145		X_FIXED_RACE	FOR AMS-- 210E-1510			*		2	
7		40038562		X FIXED RACE	FOR AMS-- 210E-2206,- AMS-210E-2210			*		2	
8		B2502210D00A		RACE TABLE	FOR AMS-- 210EHS,ES- S,EHL,ESL			*		1	
9		D2502D10D0D		RACE TABLE	FOR AMS-- 210E-1510, AMS-210E-- -2206,AMS- -210E-2210			*		1	
10		B2507210D00		X STOPPER	FOR AMS-- 210EHS,ES- S,EHL,ESL			*		2	
11		40033153		X_STOPPER	FOR AMS-- 210E-1510, AMS-210E-- -2206,AMS- -210E-2210			*		2	
12		B2508210DA0		X BALL GAUGE ASM.	FOR AMS-- 210EHS,ES- S,EHL,ESL			*		2	
13		40033150		X_BALL_GAUGE_ASM	FOR AMS-- 210E-1510			*		2	
14		B2508210DAB		X BALL GAUGE ASM.(EXTENSION)	FOR AMS-- 210E-2206,- AMS-210E-2210			*		2	
15		B2520210D0A		Y FIXED RACE,RIGHT	EXCEPT A- MS-210E-- 1510, AMS- -210E-2210			*		1	
16		40033146		Y_FIXED_RACE_RIGHT	FOR AMS-- 210E-1510,- AMS-210E-2210			*		1	
17		B2520210D0B		Y FIXED RACE,LEFT	EXCEPT A- MS-210E-- 1510, AMS- -210E-2210			*		1	
18		40033147		Y_FIXED_RACE_LEFT	FOR AMS-- 210E-1510,- AMS-210E-2210			*		1	
19		B2521210D00		Y BALL GAUGE	EXCEPT A- MS-210E-- 1510, AMS- -210E-2210			*		2	
20		40033148		Y_BALL_GAUGE	FOR AMS-- 210E-1510,- AMS-210E-2210			*		2	
21		B2522210D00		Y STOPPER	EXCEPT A- MS-210E-- 1510, AMS- -210E-2210			*		2	
22		B2522210D00		Y STOPPER	FOR AMS-- 210E-1510,- AMS-210E-2210			*		1	

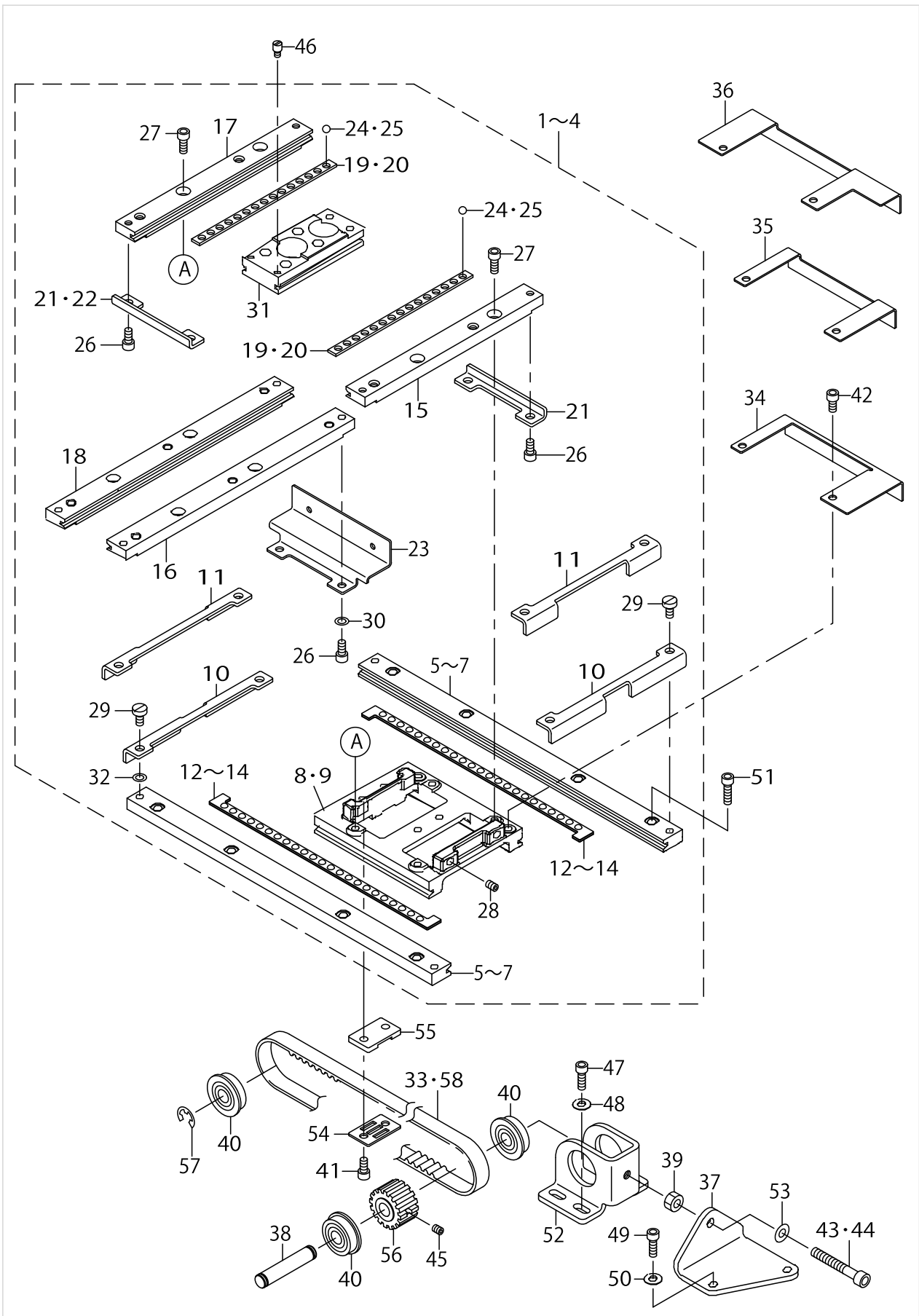
X-Y COMPONENTS (1)



X-Y COMPONENTS (1)

No.	Supply Code	Parts No.	Replacement	Parts name	Remarks	Choice	Step	Level	Cons	Qty	Rep. QTY
23		40033149		Y_STOPPER	FOR AMS-- 210E-1510,- AMS-210E-2210			*		1	
24		B2527210000		BALL	EXCEPT A- MS-210E-- 1510, AMS- -210E-2210			*		30	
25		B2527210000		BALL	FOR AMS-- 210E-1510,- AMS-210E-2210			*		36	
26		SM6040802TP		SCREW M4X0.7 L=8				*		4	
27		SM6041002TP		SCREW M4 L=10				*		4	
28		SM8040602TP		SCREW M4X0.7 L=6				*		2	
29		SM6040860TP		SCREW M4 L=8				*		4	
30		WP0450846SP		WASHER	FOR AMS-- 210E-1510,- AMS-210E-2210			*		2	
31		40030946		Y_REMOVAL_RACE				*		1	
32		WP0450846SP		WASHER	FOR AMS-- 210E-1510			*		2	
33		B2512210D0A		X TIMING BELT(EXTENSION)	FOR AMS-- 210E-1510, AMS-210E- -2206,AMS- -210E-2210					1	
34		B4007210D00		X SENSOR SLIT	FOR AMS-- 210EHS,ES- S,EHL,ESL					1	
35		40036474		SENSOR_SLIT	FOR AMS-- 210E-1510					1	
36		40038565		X_SENSOR_SLIT	FOR AMS-- 210E-2206,- AMS-210E-2210					1	
37		B2530210D00		X BELT ADJUSTING BRACKET	FOR AMS-- 210EHS,ES- S,EHL,ESL					1	
38		26223701		LIFTING LEVER SHAFT						1	
39		NM6050001SP		NUT M5						1	
40		SB108000500		RADIAL BEARING						3	
41		SM6040802TP		SCREW M4X0.7 L=8						2	
42		SM6040602TP		SCREW M4 L=6						2	
43		SM6053502TP		BOLT	FOR AMS-- 210EHS,ES- S,EHL,ESL					1	
44		SM6052502TP		SCREW M5X0.8 L=25	FOR AMS-- 210E-1510, AMS-210E- -2206,AMS- -210E-2210					1	
45		SM8040412TP		SET SCREW M4 L=4						1	
46		B151902600G		HINGE STUD						2	
47		SM6041202TP		SCREW M4X0.7 L=12						4	
48		WP0450801SP		WASHER						4	
49		SM6041202TP		SCREW M4X0.7 L=12	FOR AMS-- 210EHS,ES- S,EHL,ESL					2	
50		WP0450801SP		WASHER	FOR AMS-- 210EHS,ES- S,EHL,ESL					2	
51		SM6041402TP		SCREW M4 L=14						8	
52		B2505210D00		X DRIVEN BRACKET						1	
53		WP0520656SA		WASHER 5.2X9.5X0.6						1	

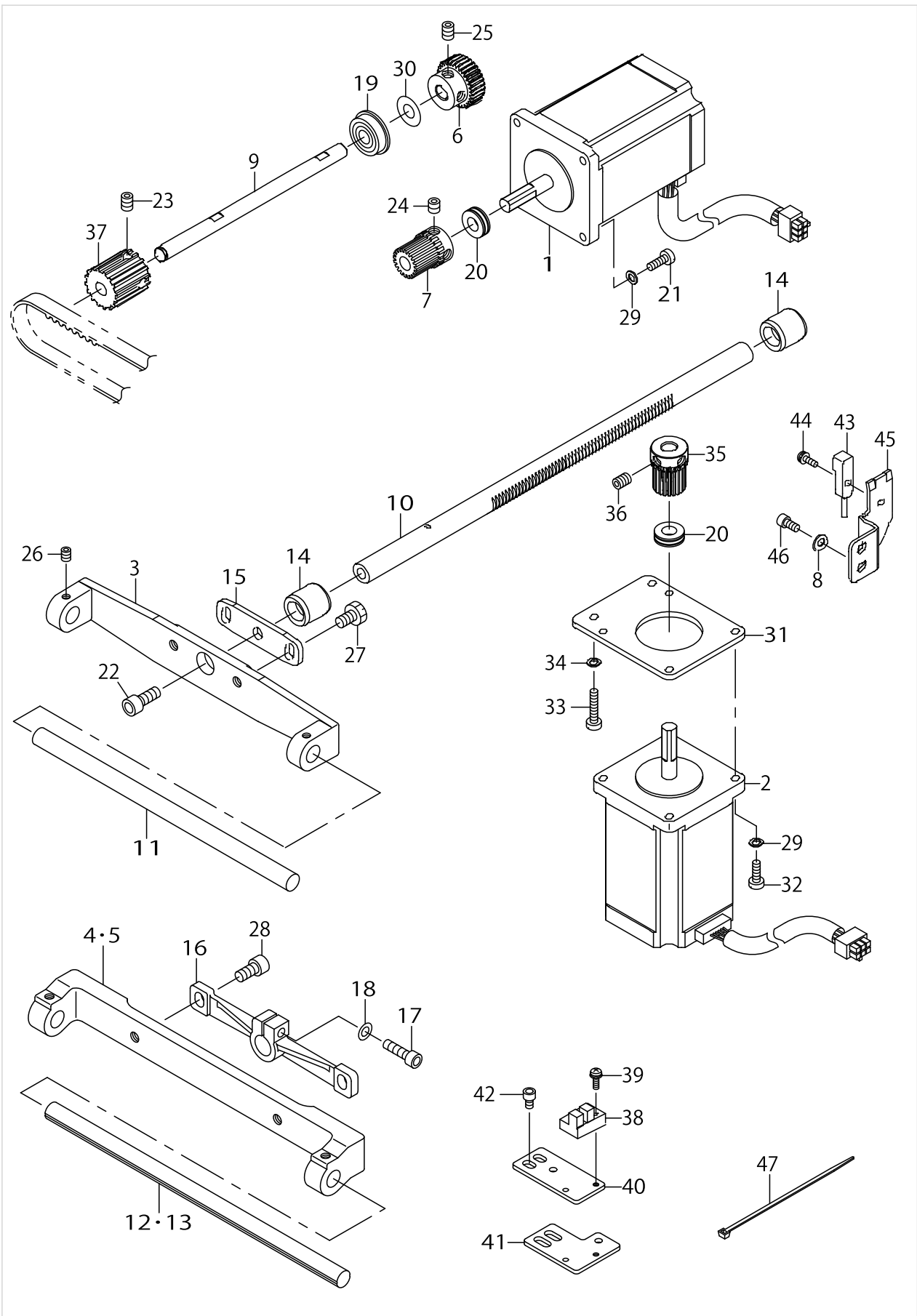
X-Y COMPONENTS (1)



X-Y COMPONENTS (1)

No.	Supply Code	Parts No.	Replacement	Parts name	Remarks	Choice	Step	Level	Cons	Qty	Rep. QTY
54		B2509210D00		BELT RECEIVER						1	
55		B2532210D00		X BELT BASE (EXTENSION)	FOR AMS-- 210E-1510, AMS-210E- -2206,AMS- -210E-2210					1	
56		B2514210D00A		DRIVEN SPROCKET						1	
57		RE0600000K0		E-RING 6						1	
58		B2512210D00A		X TIMING BELT	FOR AMS-- 210EHS,ES- S,EHL,ESL					1	

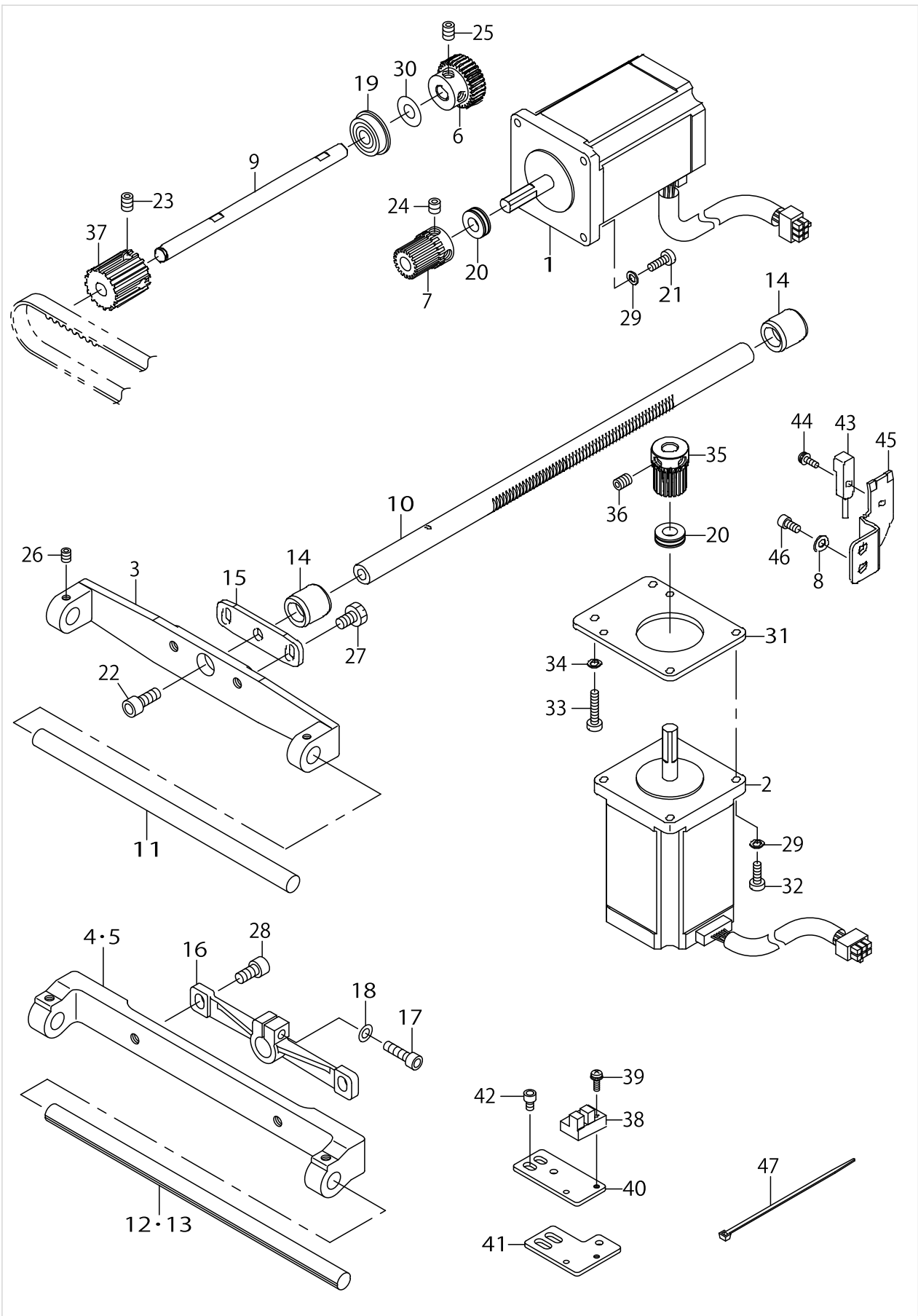
X-Y COMPONENTS (2)



X-Y COMPONENTS (2)

No.	Supply Code	Parts No.	Replacement	Parts name	Remarks	Choice	Step	Level	Cons	Qty	Rep. QTY
1		40029626		X FEED MOTOR						1	
2		40029627		Y FEED MOTOR						1	
3		40023623		X GUIDE SHAFT BRACKET	FOR AMS-- 210EHS,ES- S,EHL,ESL					1	
4		40036473		X_GUIDE_SHAFT_BRACKET	FOR AMS-- 210E-1510					1	
5		40038563		X_GUIDE_SHAFT_BRACKET	FOR AMS-- 210E-2206, AMS-210E-2210					1	
6		40030947		X_DRIVEN_GEAR						1	
7		B2526210D00		X DRIVE GEAR						1	
8		WP0430801SC		WASHER 4.3X9X0.8						2	
9		40025437		X_DRIVE_SHAFT						1	
10		40030948		Y_FEED_SHAFT						1	
11		40033181		X_GUIDE_SHAFT	FOR AMS-- 210EHS,ES- S,EHL,ESL					1	
12		40036475		X_GUIDE_SHAFT	FOR AMS-- 210E-1510					1	
13		40038564		X GUIDE SHAFT	FOR AMS-- 210E-2206, AMS-210E-2210					1	
14		40025438		Y_REMOVAL_BUSHING						2	
15		40033042		Y REMOVAL BRACKET	FOR AMS-- 210EHS,ES- S,EHL,ESL					1	
16		40036476		Y_REMOVAL_SHAFT_HOLDER	FOR AMS-- 210E-1510, AMS-210E- -2206, AM- S-210E-2210					1	
17		SM6051802TP		SCREW M5 L=18	FOR AMS-- 210E-1510, AMS-210E- -2206, AM- S-210E-2210					1	
18		WP0550800SP		WASHER 5.5X10X0.8	FOR AMS-- 210E-1510, AMS-210E- -2206, AM- S-210E-2210					1	
19		SB108000500		RADIAL BEARING						1	
20		SB408000100		BEARING						2	
21		SM6041200SP		SCREW M4 L=12						4	
22		SM6081562TP		SCREW M8 L=15	FOR AMS-- 210EHS,ES- S,EHL,ESL					1	
23		SM8060812TP		SCREW M6 L=8						2	
24		SM8060602TP		SCREW M6X6						2	
25		SM8060812TP		SCREW M6 L=8						2	
26		SM8050612TP		SCREW M5X6						2	
27		SM9061050TP		SCREW M6 L=10	FOR AMS-- 210EHS,ES- S,EHL,ESL					2	
28		SM6061202TP		SCREW M6 L=12	FOR AMS-- 210E-1510, AMS-210E- -2206, AM- S-210E-2210					2	
29		WP0450846SP		WASHER						8	
30		WP0820526SD		WASHER 8.2X14X0.5						1	

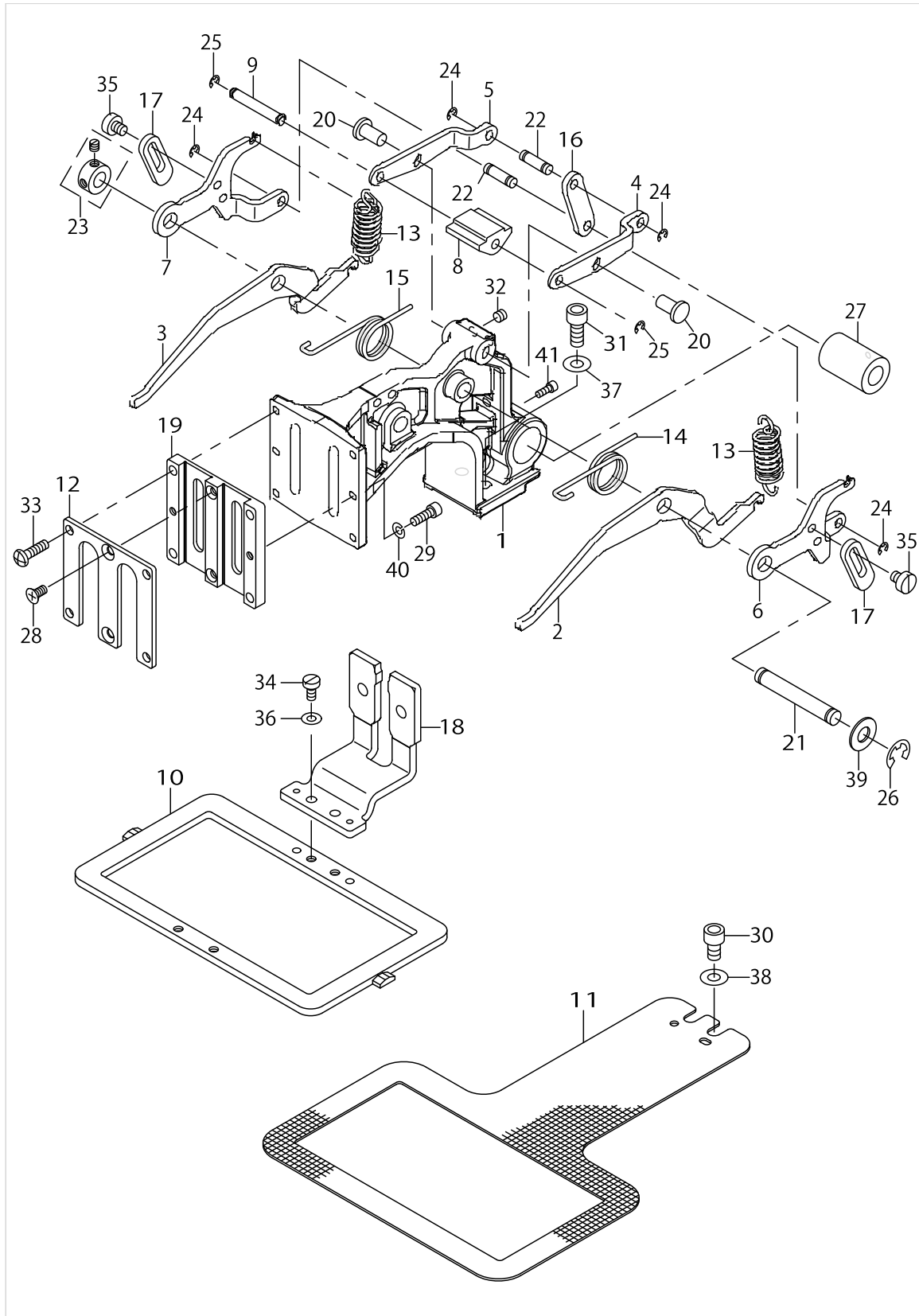
X-Y COMPONENTS (2)



X-Y COMPONENTS (2)

No.	Supply Code	Parts No.	Replacement	Parts name	Remarks	Choice	Step	Level	Cons	Qty	Rep. QTY
31		40025439		Y_FEED_MOTOR_BASE						1	
32		SM6041200SP		SCREW M4 L=12						4	
33		SM6042000SP		SCREW						2	
34		WP0450846SP		WASHER						2	
35		B2526210D00		X DRIVE GEAR						1	
36		SM8060602TP		SCREW M6X6						2	
37		B2513210D00A		DRIVE SPROCKET						1	
38		HD00057000A		PHOTO SENSOR						1	
39		SL4031081SC		SCREW M3 X 10						1	
40		B4004210D00		X SENSOR INSTALLING PLATE	EXCEPT A-MS-210E-2206					1	
41		40038566		X_SENSOR_INSTALLING_PLATE	FOR AMS--210E-2206, AMS-210E-2210					1	
42		SM6040602TP		SCREW M4 L=6						2	
43		40032505		Y_SENSOR_ASM.						1	
44		SL4031081SC		SCREW M3 X 10						1	
45		40025013		Y_SENSOR_INSTALLING_PLATE						1	
46		SM6040802TP		SCREW M4X0.7 L=8						2	
47		EA9500B0100		CABLE BAND						1	

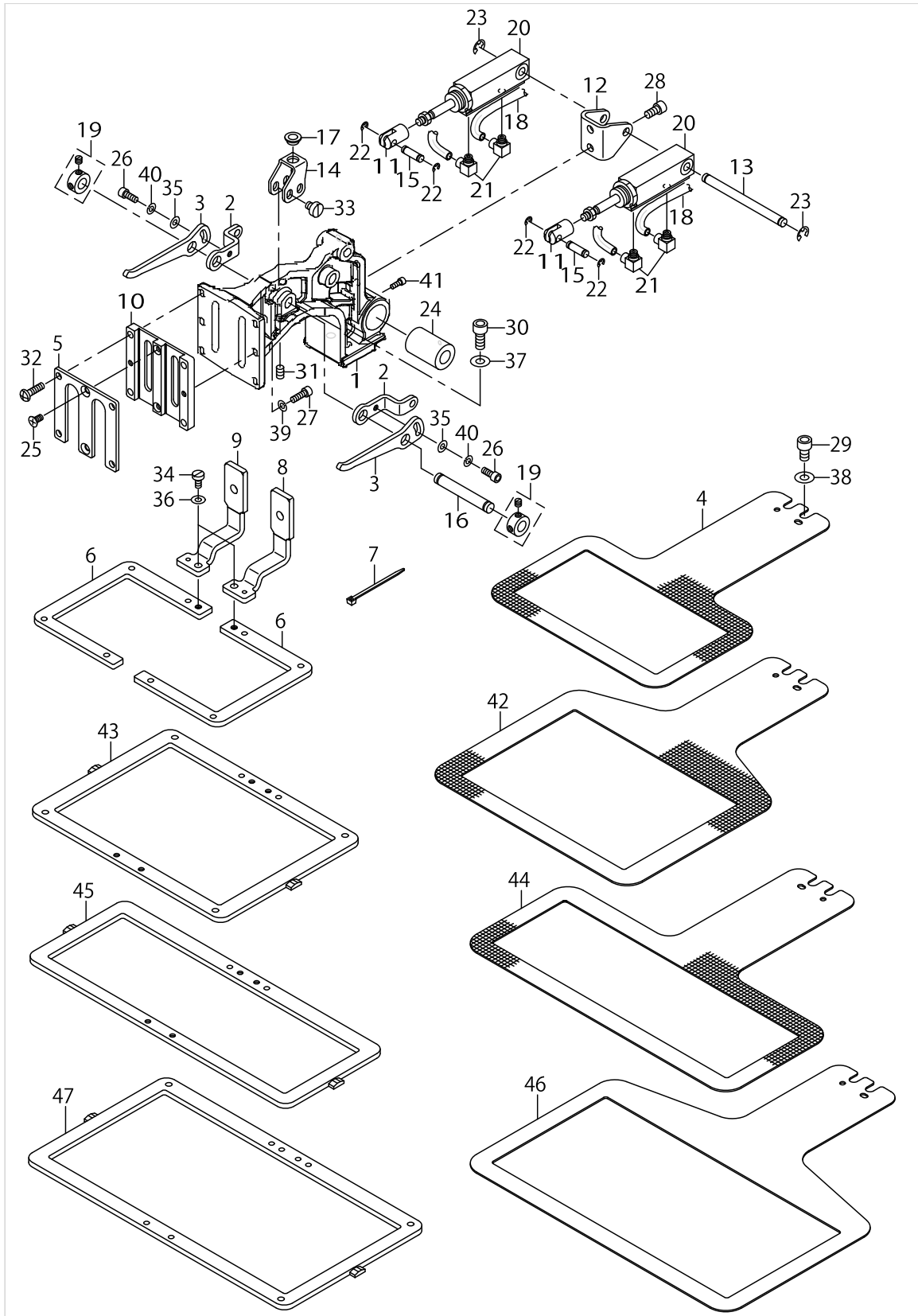
CLOTH FEED MECHANISM COMPONENTS (FOR AMS-210EHS,ESS)



CLOTH FEED MECHANISM COMPONENTS (FOR AMS-210EHS,ESS)

No.	Supply Code	Parts No.	Replacement	Parts name	Remarks	Choice	Step	Level	Cons	Qty	Rep. QTY
1		40023636		FEED BRACKET						1	
2		40023645		LIFTINGLEVERRIGHT						1	
3		40023646		LIFTING LEVER LEFT						1	
4		40023652		FEED BRACKET UPPER LINK RIGHT						1	
5		40023653		FEED BRACKET UPPER LINK LEFT						1	
6		40023649		SUPPORT LINK RIGHT						1	
7		40023650		SUPPORT LINK LEFT						1	
8		B2579210D00A		SLIDER						1	
9		40023648		SLIDER SHAFT						1	
10		40023638		FEEDING FRAME						1	
11		B2552210D00		LOWER PLATE						1	
12		40023647		WORK CLAMP FOOT PLATE COVER						1	
13		B2583210D00		SPRING						2	
14		B2581210D00		SPRING,RIGHT						1	
15		B2582210D00		SPRING,LEFT						1	
16		40023651		FEED BRACKET LINK						1	
17		40023654		LINK STOPPER						2	
18		B2551210DA0A		SLIDE PLATE COMPL.						1	
19		B2610210D00		WORK CLAMP FOOT PLATE						1	
20		B1626555000		FEED REGULATOR CONNECTING ROD						2	
21		40023663		SHAFT BLOCK SHAFT						1	
22		40023635		CYLINDER PIN						2	
23		CS079073ASH		THRUST COLLAR ASM.						1	
24		RE0300000K0		E-RING 3						4	
25		RE0300000K0		E-RING 3						2	
26		RE0700000K0		E-RING 7						1	
27		SB710000500		BEARING						1	
28		SM1040801SP		SCREW M4X0.7 L=8						2	
29		SM6041202TP		SCREW M4X0.7 L=12						2	
30		SM6061002TP		SCREW M6 L=10						2	
31		SM6061402TN		BOLT						2	
32		SM8050412TP		SCREW M5 L=4						2	
33		SM4041655SP		SCREW M4 L=16						4	
34		SM6040800SP		SCREW						2	
35		SM6450610TP		SCREW						4	
36		WP0480856SP		WASHER 4.8X8.4X0.8						2	
37		WP0651001SC		WASHER						2	
38		WP0651001SC		WASHER						2	
39		B255728000C		WASHER						1	
40		WS0410002KP		SPRING WASHER						2	
41		SM6030802TP		SCREW M3X0.5 L=8						1	

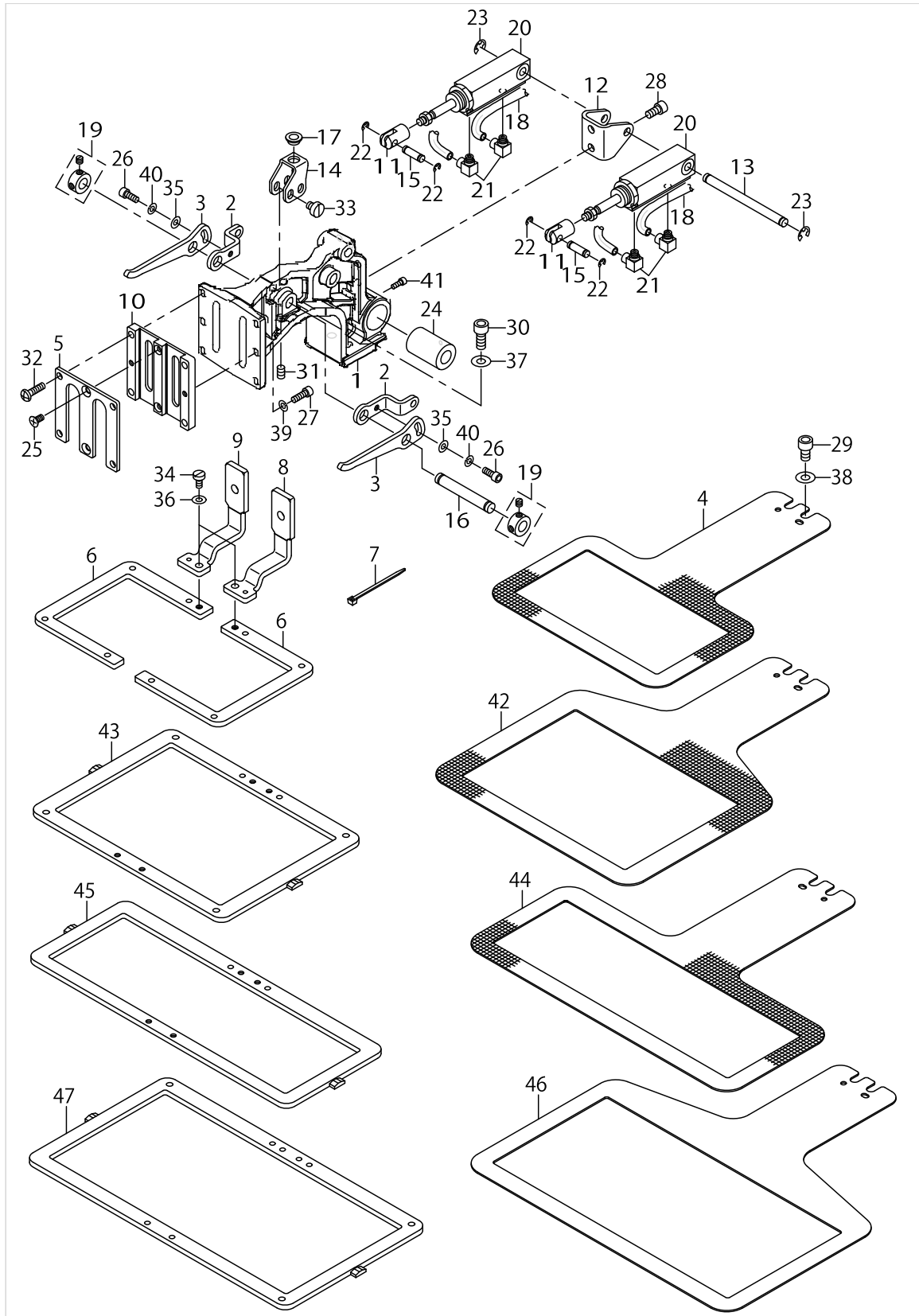
CLOTH FEED MECHANISM COMPONENTS (EXCEPT AMS-210EHS,ESS)



CLOTH FEED MECHANISM COMPONENTS (EXCEPT AMS-210EHS,ESS)

No.	Supply Code	Parts No.	Replacement	Parts name	Remarks	Choice	Step	Level	Cons	Qty	Rep. QTY
1		40023636		FEED BRACKET						1	
2		40023643		LINK PLATE A						2	
3		40023640		LINK PLATE B						2	
4		B2552210D00		LOWER PLATE	FOR AMS-- 210EHL,ESL					1	
5		40023647		WORK CLAMP FOOT PLATE COVER						1	
6		40023639		2-STEP FEEDING FRAME	FOR AMS-- 210EHL,ESL					2	
7		HX002330000		CLIP						4	
8		B2590210DA0		WORK CLAMP FOOT COMPL.,RIGHT						1	
9		B2591210DA0		WORK CLAMP FOOT COMPL.,LEFT						1	
10		B2610210D00		WORK CLAMP FOOT PLATE						1	
11		40023644		CYLINDER KNUCKLE						2	
12		B2567210D00		CYLINDER INSTALLING BASE						1	
13		40023641		CYLINDER SHAFT						1	
14		40023642		SLIDER BASE						1	
15		40023635		CYLINDER PIN						2	
16		40023663		SHAFTBLOCKSHAFT						1	
17		G5126172000		CLAMP SHAFT HOLDER						1	
18		BT0400251EB		URETHANE HOSE, BLACK						4	
19		CS079073ASH		THRUST COLLAR ASM.						2	
20		PA1602006A0		AIR CYLINDER						2	
21		PJ046052503		HOSE ELBOW						4	
22		RE0300000K0		E-RING 3						4	
23		RE0500000K0		E-RING 5						2	
24		SB710000500		BEARING						1	
25		SM1040801SP		SCREW M4X0.7 L=8						2	
26		SM6041002TP		SCREW M4 L=10						2	
27		SM6041202TP		SCREW M4X0.7 L=12						2	
28		SM6051002TP		SCREW M5X0.8 L=10						2	
29		SM6061002TP		SCREW M6 L=10						2	
30		SM6061402TN		BOLT						2	
31		SM8050812TP		SCREW M5X8						1	
32		SM4041655SP		SCREW M4 L=16						4	
33		SM6450610TP		SCREW						4	
34		SM6040800SP		SCREW						2	
35		WP0450000SD		WASHER 4.5X8X0.5						2	
36		WP0480856SP		WASHER 4.8X8.4X0.8						2	
37		WP0651001SC		WASHER						2	
38		WP0651001SC		WASHER						2	
39		WS0410002KP		SPRING WASHER						2	
40		WS0410002KP		SPRING WASHER						2	
41		SM6030802TP		SCREW M3X0.5 L=8						1	
42		40036477		LOWER_PLATE	FOR AMS-- 210E-1510					1	
43		40036478		FEEDING_FRAME	FOR AMS-- 210E-1510					1	
44		D2552D10D0D		LOWER PLATE	FOR AMS-- 210E-2206					1	

CLOTH FEED MECHANISM COMPONENTS (EXCEPT AMS-210EHS,ESS)



CLOTH FEED MECHANISM COMPONENTS (EXCEPT AMS-210EHS,ESS)

No.	Supply Code	Parts No.	Replacement	Parts name	Remarks	Choice	Step	Level	Cons	Qty	Rep. QTY
45		40038567		FEEDING_FRAME	FOR AMS-- 210E-2206					1	
46		40039541		LOWER_PLATE	FOR AMS-- 210E-2210					1	
47		40039542		FEEDING_FRAME	FOR AMS-- 210E-2210					1	

TABLE COMPONENTS

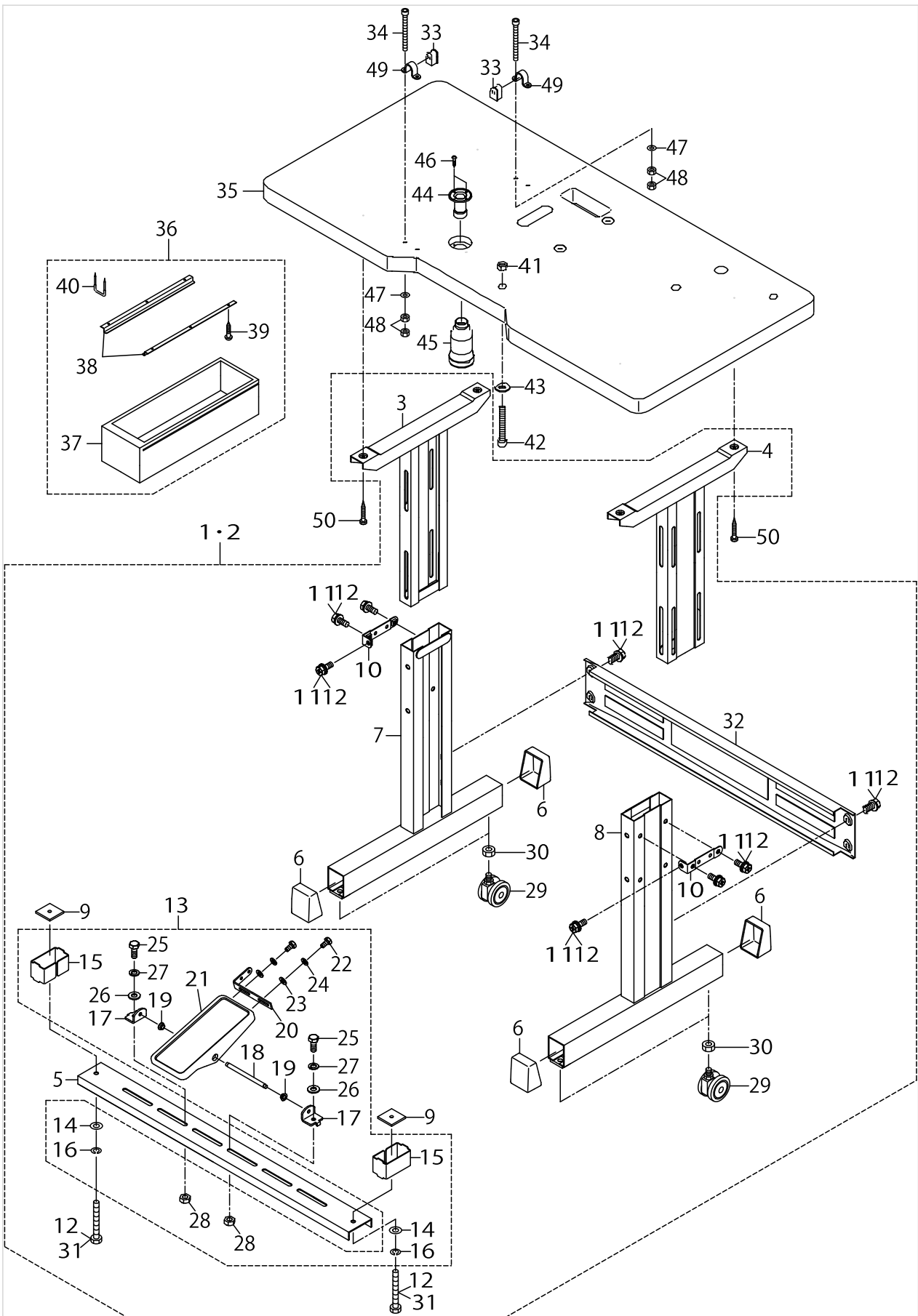


TABLE COMPONENTS

No.	Supply Code	Parts No.	Replacement	Parts name	Remarks	Choice	Step	Level	Cons	Qty	Rep. QTY
1		14191951		T-STAND COMPL.	FOR AMS-- 210EHS,ESS					1	
2		40038255		T-STAND COMPL.(AIR TYPE)	EXCEPT A- MS-210EHS,ESS					1	
3		B8101210AAB		UPPER STAND COMPL.				*		1	
4		14118152		UPPER STAND ASM.,RIGHT				*		1	
5		11158409		STAND SIDE SUPPORT				*		1	
6		11158607		RUBBER CAP				*		4	
7		B8105210AAA		STAND COMPL.				*		1	
8		14118251		STAND ASM.,RIGHT				*		1	
9		17007402		NUT				*		2	
10		11158516		UPPERSTANDPLATE				*		2	
11		SL9082091SE		WASHER HEXAGONAL BOLT	FOR AMS-- 210EHS,ESS			*		10	
12		SL9082091SE		WASHER HEXAGONAL BOLT	FOR AMS-- 210EHL,ES- L, AMS-21- 0E-1510, A- MS-210E-2206			*		12	
13		13817754		Z-STAND PEDAL COMPL.	FOR AMS-- 210EHS,ESS			*		1	
14		WP0871602SE		WASHER 8.7X18X1.6	FOR AMS-- 210EHS,ESS			*		2	
15		11159506		STRUT AUXILIARY PLATE	FOR AMS-- 210EHS,ESS			*		2	
16		WS0861410KR		SPRING WASHER 8.6X15X1.4	FOR AMS-- 210EHS,ESS			*		2	
17		11159001		PEDAL SHAFT BRACKET	FOR AMS-- 210EHS,ESS			*		2	
18		B8153771000		PEDAL CONNECTING ROD	FOR AMS-- 210EHS,ESS			*		1	
19		D8113555B00		PEDAL BUSHING	FOR AMS-- 210EHS,ESS			*		2	
20		GPF06080000		PEDAL ADJUSTING PLATE	FOR AMS-- 210EHS,ESS			*		1	
21		GPF060600A0		PEDAL COMPL.	FOR AMS-- 210EHS,ESS			*		1	
22		SM9061203SE		SCREW M6 L=12	FOR AMS-- 210EHS,ESS			*		2	
23		WP0671016SE		WASHER 6.7X13X1	FOR AMS-- 210EHS,ESS			*		2	
24		WS0621210KR		SPRING WASHER 6.2X11.4X1.2	FOR AMS-- 210EHS,ESS			*		2	
25		SM9082023SE		SCREW M8 L=20	FOR AMS-- 210EHS,ESS			*		2	
26		WP0871602SE		WASHER 8.7X18X1.6	FOR AMS-- 210EHS,ESS			*		4	
27		WS0861410KR		SPRING WASHER 8.6X15X1.4	FOR AMS-- 210EHS,ESS			*		2	
28		NM6080721SE		NUT M8	FOR AMS-- 210EHS,ESS			*		2	
29		B8150210000		CASTER				*		4	
30		NM6120003SE		NUT M12				*		4	
31		SM9086523SE		HEXAGONAL BOLT	FOR AMS-- 210EHS,ESS			*		2	
32	D	11158300		STAND SIDE SUPPORT				*		1	
33		B1115210D00		HINGE RUBBER	ACCESSO- RIE PARTS					2	
34		SM6066002TN		BOLT M6 L=60	ACCESSO- RIE PARTS					4	
35		40030949		TABLE						1	
36		11155157		DRAWER ASM.						1	

TABLE COMPONENTS

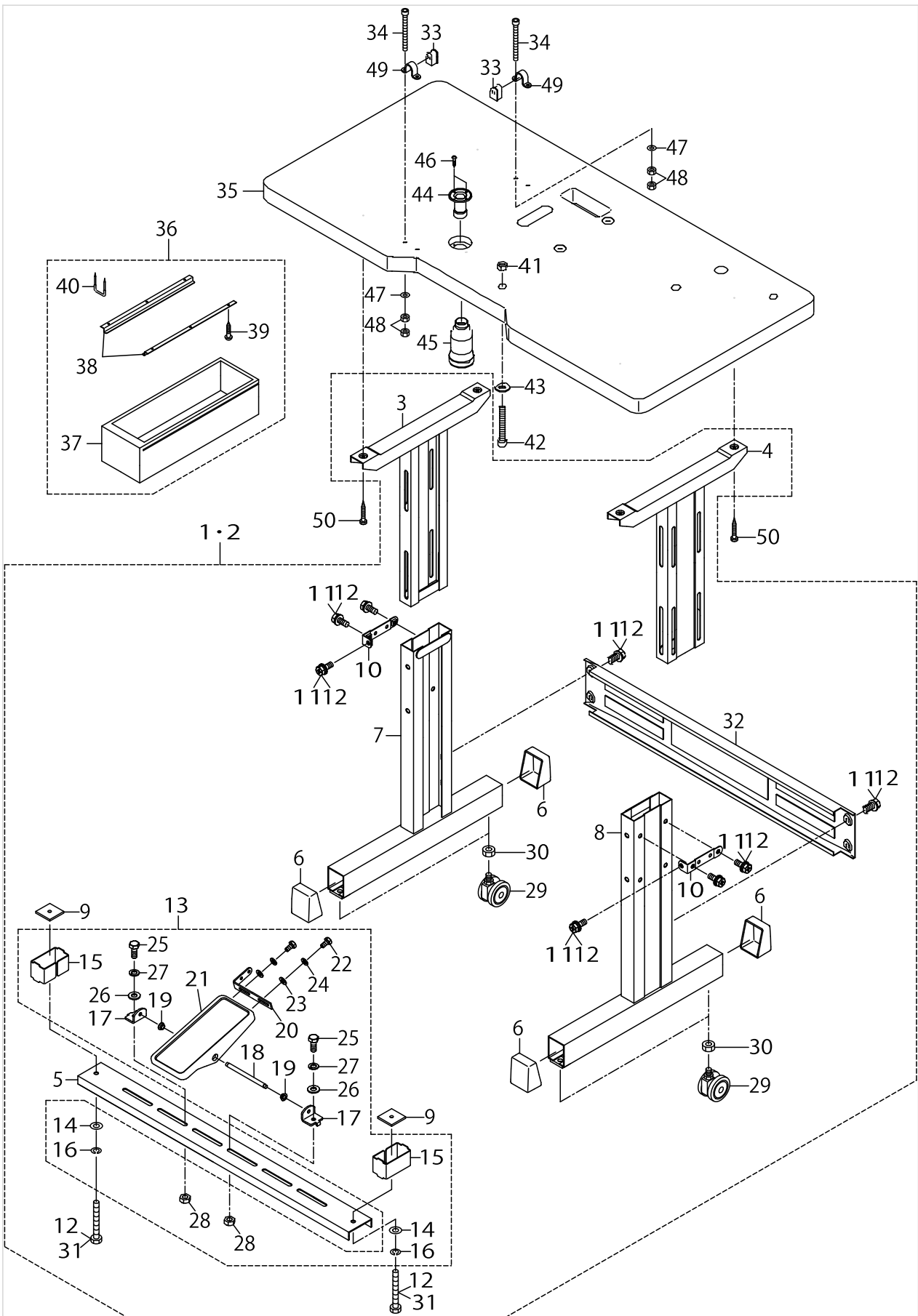
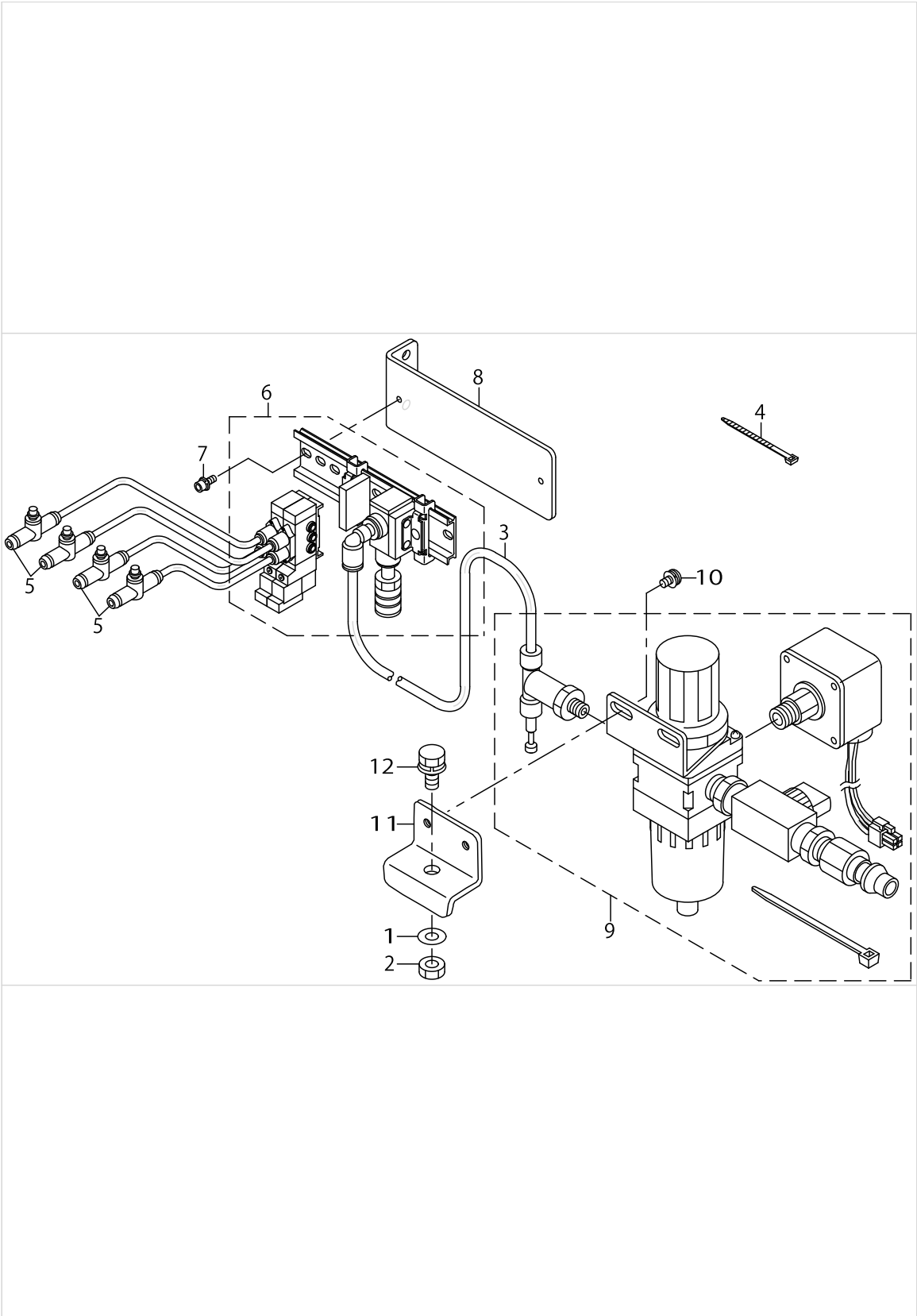


TABLE COMPONENTS

No.	Supply Code	Parts No.	Replacement	Parts name	Remarks	Choice	Step	Level	Cons	Qty	Rep. QTY
37	R	11155108	11155157	DRAWER				*		1	1.00
38		11155207		DRAWER SUPPORT				*		2	
39	R	SK3311600SC	SK3311601SE	WOOD SCREW D=3.1 L=16				*		6	1.00
40		D8204555D00		DRAWER STOPPER				*		1	
41		NM6080001SC		NUT M8X1.25	ACCESSO- RIE PARTS					1	
42		SM6086002TP		SCREW	ACCESSO- RIE PARTS					1	
43		WP0851846SC		WASHER 8.5X22.0X1.8	ACCESSO- RIE PARTS					1	
44		B8202205000		OIL MANAGEMENT	ACCESSO- RIE PARTS					1	
45		B9121012000		OIL CAN	ACCESSO- RIE PARTS					1	
46		SK3311601SE		WOOD SCREW D=3.1 L=16	ACCESSO- RIE PARTS					2	
47		WP0651646SC		WASHER	ACCESSO- RIE PARTS					4	
48		NM6060001SC		NUT M6	ACCESSO- RIE PARTS					8	
49		B1111210D00		BED HINGE	ACCESSO- RIE PARTS					2	
50		ST9053511SR		TAPPING SCREW M5X35						4	

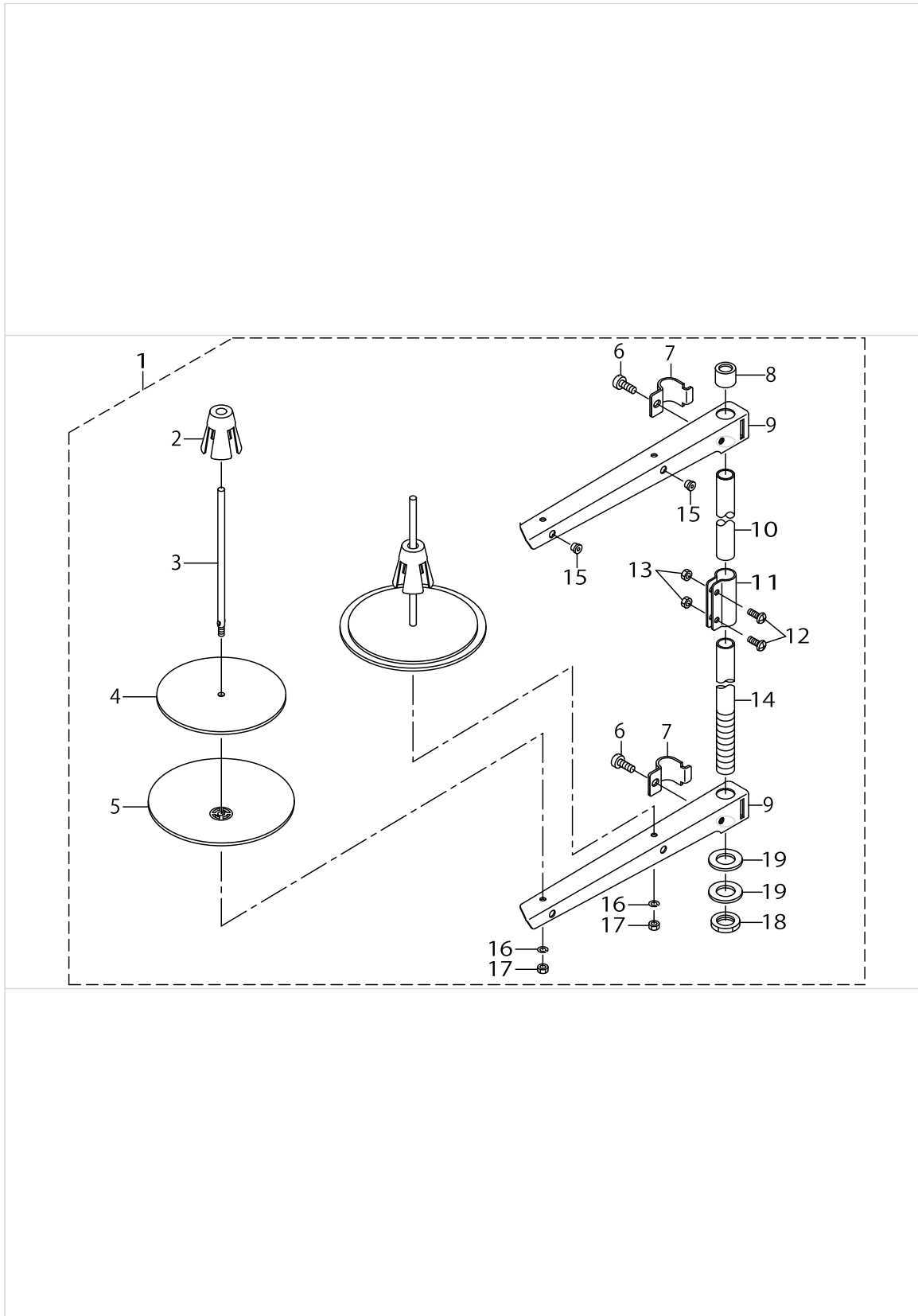
PNEUMATIC COMPONENTS (EXCEPT AMS-210EHS,ESS)



PNEUMATIC COMPONENTS (EXCEPT AMS-210EHS,ESS)

No.	Supply Code	Parts No.	Replacement	Parts name	Remarks	Choice	Step	Level	Cons	Qty	Rep. QTY
1		WP0871602SE		WASHER 8.7X18X1.6						1	
2		NM6080721SE		NUT M8						1	
3		BT0600401EB		TUBE						.5	
4		EA9500B0100		CABLE BAND						1	
5		PC012405000		SPEED CONTROLLER						4	
6		14204655		SOLENOID VALVE ASM.						1	
7		SL6041092TN		SCREW						2	
8		40030950		SORENOID_VALVE_FITTING_BASE						1	
9		40030951		FILTER_REGULATOR_ASM.						1	
10		SL4051091SC		SCREW M5X0.8 L=10						2	
11		40023662		FILTER INSTALLING PLATE						1	
12		SL9082093SE		SCREW						1	

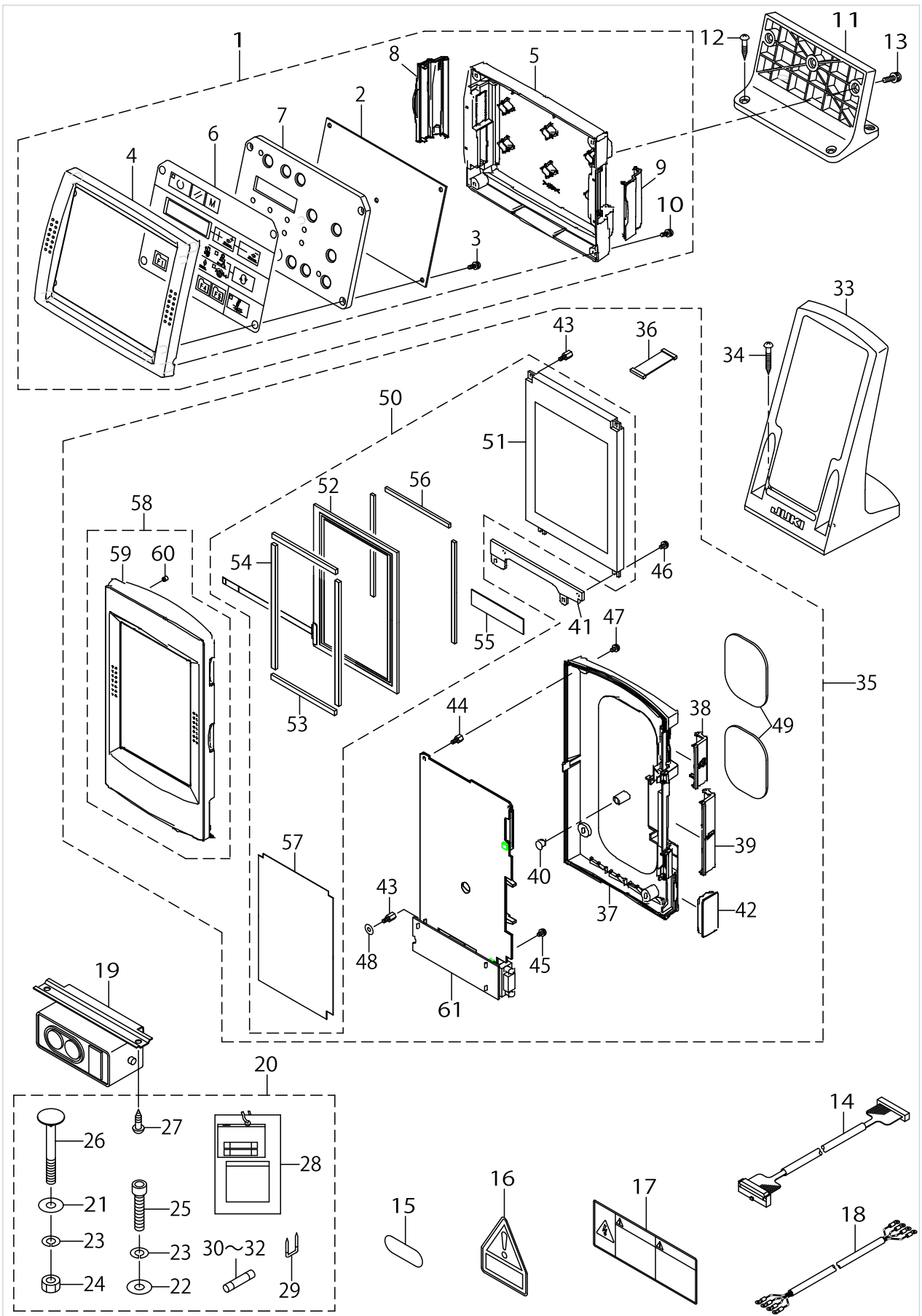
THREAD STAND COMPONENTS



THREAD STAND COMPONENTS

No.	Supply Code	Parts No.	Replacement	Parts name	Remarks	Choice	Step	Level	Cons	Qty	Rep. QTY
1	R	22930358	40096354	THREAD STAND ASM.						1	1.00
2	R	22931109	40085791	SPOOL RETAINER				*		2	1.00
3	R	22931000	40085790	SPOOL PIN				*		2	1.00
4		22930903		SPOOL REST CUSHION				*		2	
5		22930804		SPOOL REST				*		2	
6		SM6061610SC		SCREW M6 L=16				*		2	
7	R	22930705	40096354	THREAD GUIDE ARM JOINT				*		2	1.00
8		22931406		SPOOL REST ROD RUBBER CAP				*		1	
9	R	22930507	40096354	SPOOL REST ARM				*		2	1.00
10	R	22930408	40096354	SPOOL REST ROD, UPPER				*		1	1.00
11	R	22931307	40096354	SPOOL REST ROD JOINT				*		1	1.00
12		SM4051405SE		SCREW M5 L=14				*		2	
13		NM6050001SE		NUT M5				*		2	
14	R	22930309	40096354	SPOOL REST ROD, LOWER				*		1	1.00
15		22931208		THREAD GUIDE				*		2	
16		WS0510002KN		SPRING WASHER				*		2	
17		NM6050001SE		NUT M5				*		2	
18		NM6160511SE		NUT M16X1.5				*		1	
19		WP1702600S0		WASHER 17X30X2.6				*		2	

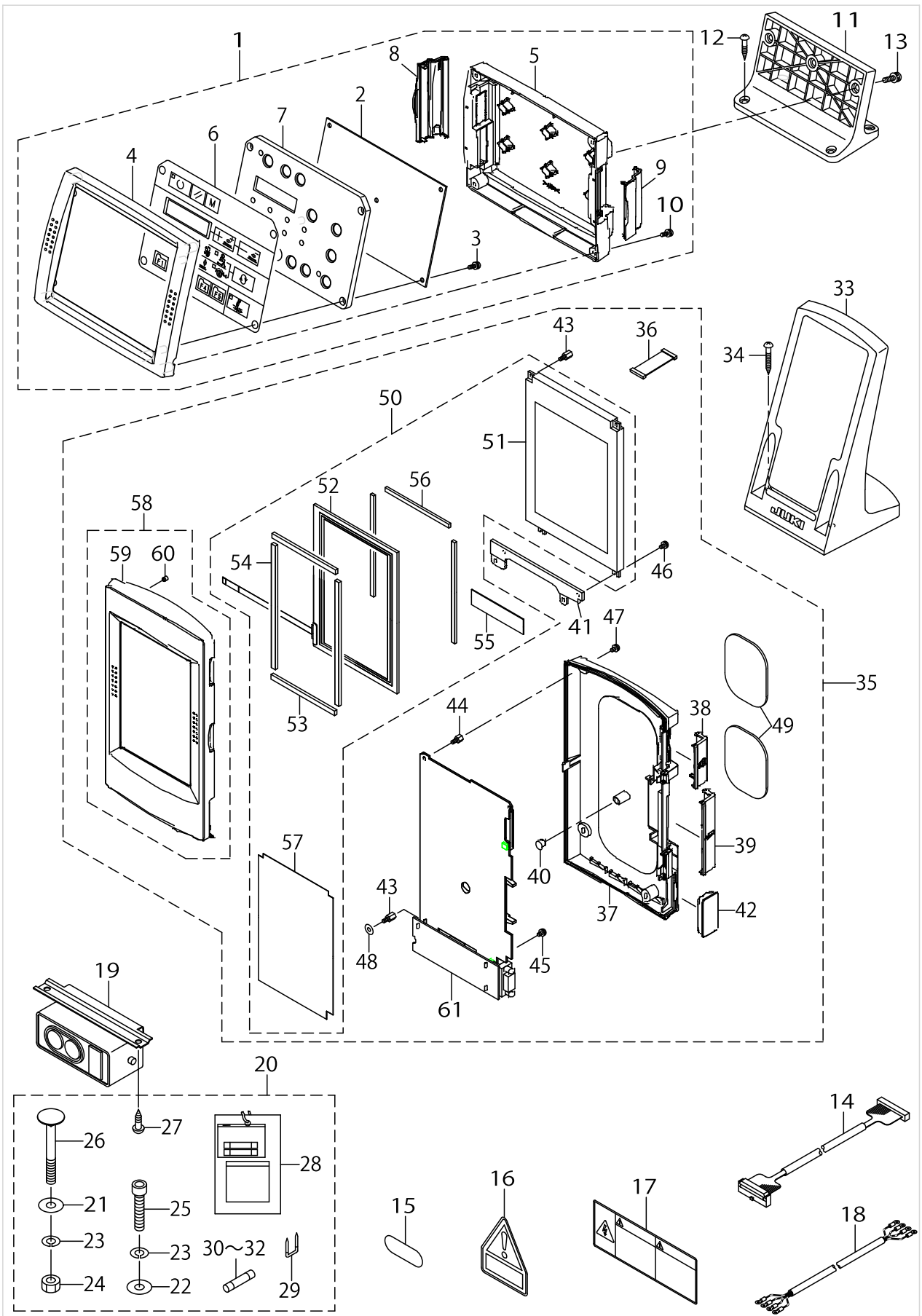
OPERATION PANEL COMPONENTS



OPERATION PANEL COMPONENTS

No.	Supply Code	Parts No.	Replacement	Parts name	Remarks	Choice	Step	Level	Cons	Qty	Rep. QTY
1	D	40032704		EASY PANEL CP-20						1	
2	D	40031471		PANEL PCB A ASM.				*		1	
3		SL4031081SC		SCREW M3 X 10				*		4	
4		40005692		OPERATION BOX FRONT CASE				*		1	
5		40030694		REAR_CASE				*		1	
6		40032714		PANEL SHEET				*		1	
7		40030695		HOLDER_PLATE				*		1	
8		40030696		CONNECTOR_COVER				*		1	
9		40030697		SM_COVER				*		1	
10		SL4031081SC		SCREW M3 X 10				*		4	
11		40005697		PANEL STAND						1	
12		SK3382001SE		SCREW D=3.8 L=20						4	
13		SL4041691SC		SCREW M4 L=16						3	
14	D	40030983		PANEL CABLE ASSY						1	
15		BME03200000		VOLTAGE INDICATION SEAL						1	
16		CM300400601		VOLTAGE CAUTION LABEL						1	
17		CM300100401		LABEL 3 (LARGE)						1	
18		M90175800A0		POWER CABLE ASM.						1	
19		HA004250000		SWITCH						1	
20		40031502		OPTION B ASSY						1	
21		WP0852086SC		WASHER M8				*		2	
22		WP0841601SC		WASHER 8.4X17.4X1.6				*		1	
23		WS0820002KR		SPRING WASHER, M8				*		3	
24		NM6080002SC		NUT M8				*		2	
25		SM6084002TN		SCREW M8 L=40				*		1	
26		MTSHJ100003		BOLT				*		2	
27		SK3512001SE		WOOD SCREW D=5.1 L=20				*		2	
28		M300451100A		VOLTAGE INDICATION CARD,A				*		1	
29	D	MA011532000		STAPLE				*		3	
30		HF00130315S		FUSE 3.15A 250V REF. NO.112				*		1	
31		HF003000200		FUSE 2A (220/240V)				*		1	
32		HF0013050P0		FUSE 5A				*		1	
33		40035024		OPERATION_BOX_FIXED_PLATE(B)ASM.						1	
34		SK3413201SE		WOOD SCREW D=4.1 L=32						2	
35	R	40030923	40112002	PANEL TYPE_F ASSY						1	1.00
36		40000146		LCD_CABLE_ASS'Y				*		1	
37		40030765		REAR_CASE				*		1	
38	D	40030767		SM_COVER				*		1	
39		40030766		CONNECTOR_COVER				*		1	
40		TA0550604R0		RUBBER PLUG				*		1	
41		40030926		LCD HOLDER BOARD				*		1	
42		40005848		D-SUB 9P COVER				*		1	
43		HX00354000N		SPACER				*		5	
44		HX00354000S		SPACER				*		3	
45		SL4030691SC		SCREW M3X6				*		1	
46		SL4030691SC		SCREW M3X6				*		2	

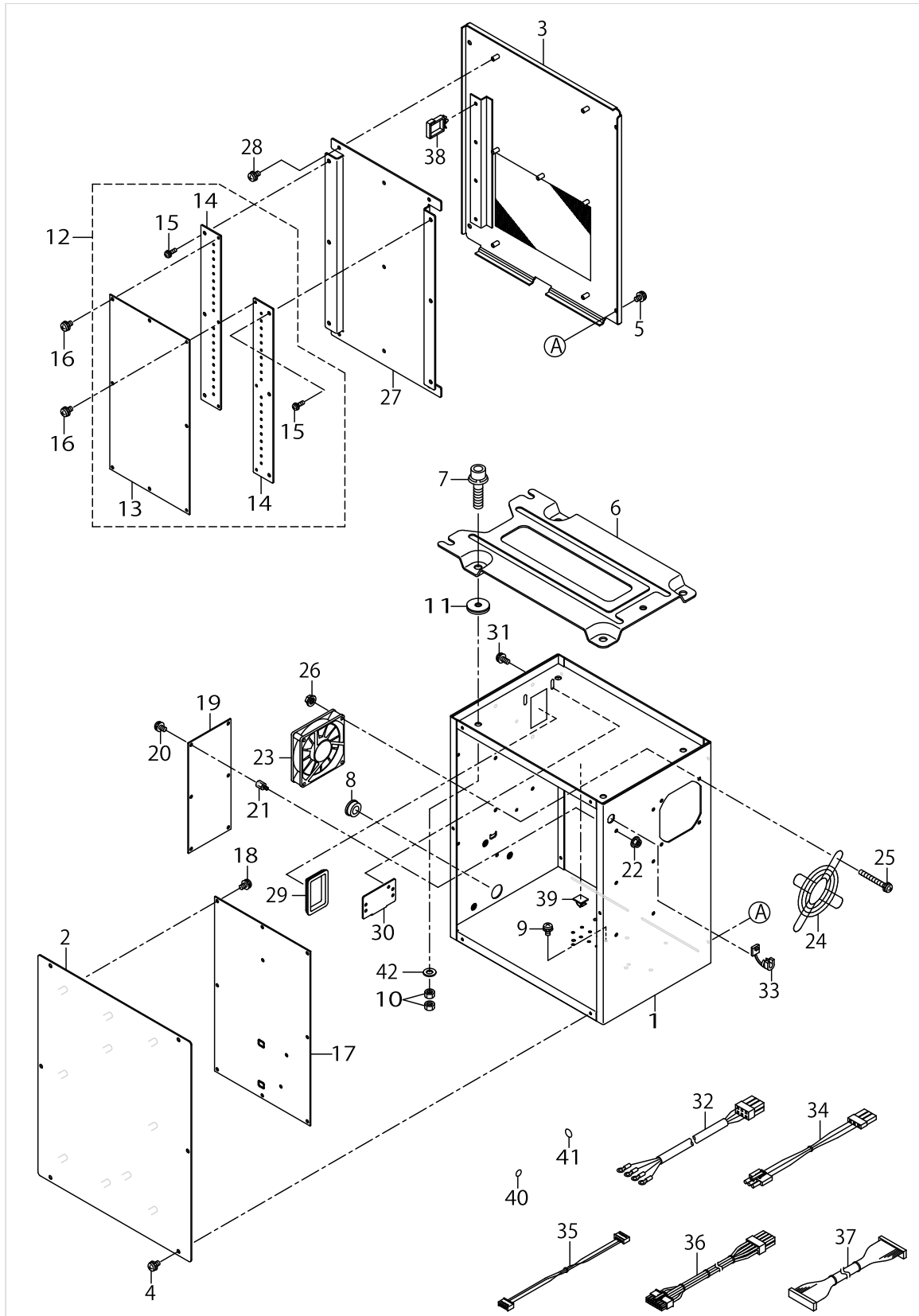
OPERATION PANEL COMPONENTS



OPERATION PANEL COMPONENTS

No.	Supply Code	Parts No.	Replacement	Parts name	Remarks	Choice	Step	Level	Cons	Qty	Rep. QTY
47		SL4030681SC		SCREW M3 L=6				*		4	
48		WP0370316SD		WASHER 3.7X8X0.3				*		2	
49		40033316		OPERATION_PANEL_MAGNET_A				*		2	
50	R	40034259	40086485	LCD ASSY		A	IP-410F	*		1	1.00
50	R	40034259	40112936	LCD ASSY		B	IP-410B	*		1	1.00
50	R	40034259	40112003	LCD ASSY		C	IP-410H	*		1	1.00
50	R	40034259	40101221	LCD ASSY		D	IP-310G	*		1	1.00
50	R	40034259	40105233	LCD ASSY		E	IP-310C	*		1	1.00
50	R	40034259	40105353	LCD ASSY		F	IP-310D	*		1	1.00
50	R	40034259	40112935	LCD ASSY		G	IP-310A	*		1	1.00
51	R	A39500100A0	A39500100A0A	LCD				*		1	1.00
52	R	A3906010000	A3906010000A	TOUCH PANEL				*		1	1.00
53		40000134		TTP_H_FELT				*		2	
54		40000135		TTP_V_FELT				*		2	
55		40000136		KEY_SHEET				*		1	
56		40000138		BOTHSIDES_TAPE				*		3	
57	R	40000140	40059378	ISOLATION_SHEET		D	FOR ACF	*		1	1.00
57	R	40000140	40101221	ISOLATION_SHEET				*		1	1.00
57	R	40000140	40105353	ISOLATION_SHEET				*		1	1.00
57	R	40000140	40112935	ISOLATION_SHEET				*		1	1.00
57	R	40000140	40105233	ISOLATION_SHEET				*		1	1.00
58	D	40034262		IP-400 FRONT_CASE_ASSY				*		1	
59	R	40030764	40034262	FRONT_CASE				*		1	1.00
60		40000133		INSERT_NUT				*		5	
61	R	40031011	40112002	PANEL PCB A ASSY				*		1	1.00

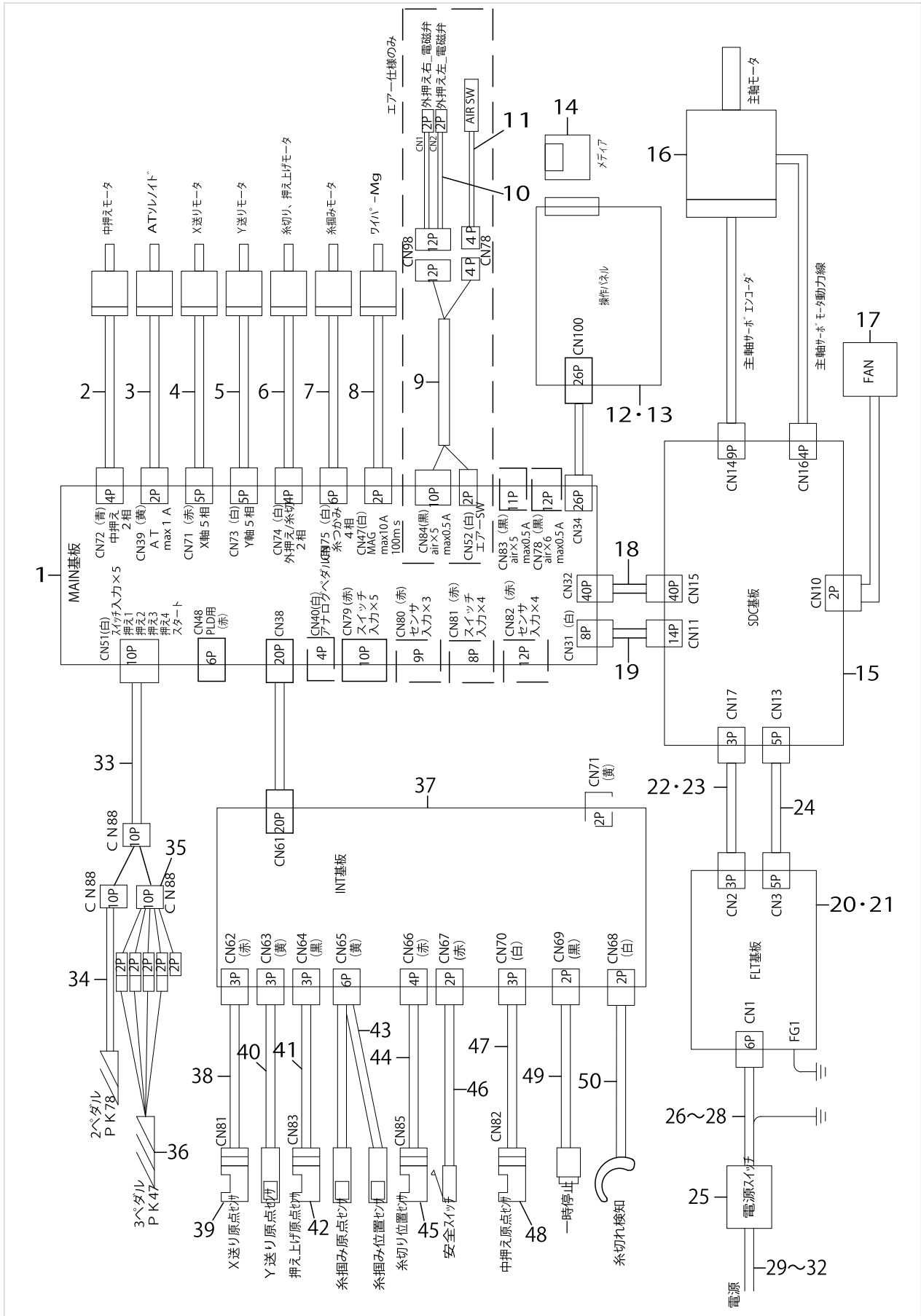
CONTROL BOX COMPONENTS



CONTROL BOX COMPONENTS

No.	Supply Code	Parts No.	Replacement	Parts name	Remarks	Choice	Step	Level	Cons	Qty	Rep. QTY
1	R	40003451	40055355	CONTROL BOX						1	1.00
2	D	40003452		CONTROL BOX FRONT COVER						1	
3		40003453		CONTROL BOX REAR COVER						1	
4		SL4040891SC		SCREW M4 L=8						6	
5		SL4040891SC		SCREW M4 L=8						4	
6		M3801476000		TRANSMISSION BOX FITTING PLATE						1	
7		SL6083092TN		SCREW						4	
8		HX00188000D		BUSH						1	
9		SL4040891SC		SCREW M4 L=8						4	
10		NM6080001SC		NUT M8X1.25						8	
11		M4206461000		WASHER						4	
12		40031449		MAIN PCB ASSY						1	
13	R	40031452	40031449	MAIN PCB		A	A:MC-583	*		1	1.00
13	R	40031452	40031483	MAIN PCB		B	B:MC-584	*		1	1.00
14		40005705		MAIN PCB HEAT SINK				*		2	
15		SL4031081SF		SCREW M3 L=10				*		6	
16		SL4040881SC		SCREW M4 L=8						6	
17	D	40038663		SDC PCB B ASSY						1	
18		SL4040881SC		SCREW M4 L=8						10	
19		40000056		FLT-T PCB A ASS'Y						1	
20		SL4040881SC		SCREW M4 L=8						6	
21		HX003390000		STUD						6	
22		NM3040520SC		NUT M4						6	
23		40005401		FAN MOTOR ASS'Y						1	
24		HM000480010		FINGER GUARD						1	
25		SL4043591SC		SCREW						4	
26		NM3040520SC		NUT M4						4	
27		40005706		MAIN PCB HOLDER PLATE						1	
28		SL4040881SC		SCREW M4 L=8						5	
29		HX004070000		BUSH						1	
30		17845009		CORD FITTING PLATE						1	
31		SL4041091SC		SCREW M4 L=10						2	
32		40005391		POWER CORD 3P ASS'Y						1	
33		HX00410000A		STRAIN RELIEF BUSHING						1	
34		40005393		FLT-SDC CORD P ASS'Y						1	
35		40005394		FLT-SDC CORD S ASS'Y						1	
36		40005726		SDC-MAIN CORD P ASS'Y						1	
37		40005727		SDC-MAIN CORD S ASS'Y						1	
38		HX005110000		WIRE SADDLE						3	
39		E9607603000		STICKER (SMALL)						1	
40		E9567319000		EARTH MARK						1	
41		40003458		MASK SEAL						10	
42		WP0841601SC		WASHER 8.4X17.4X1.6						4	

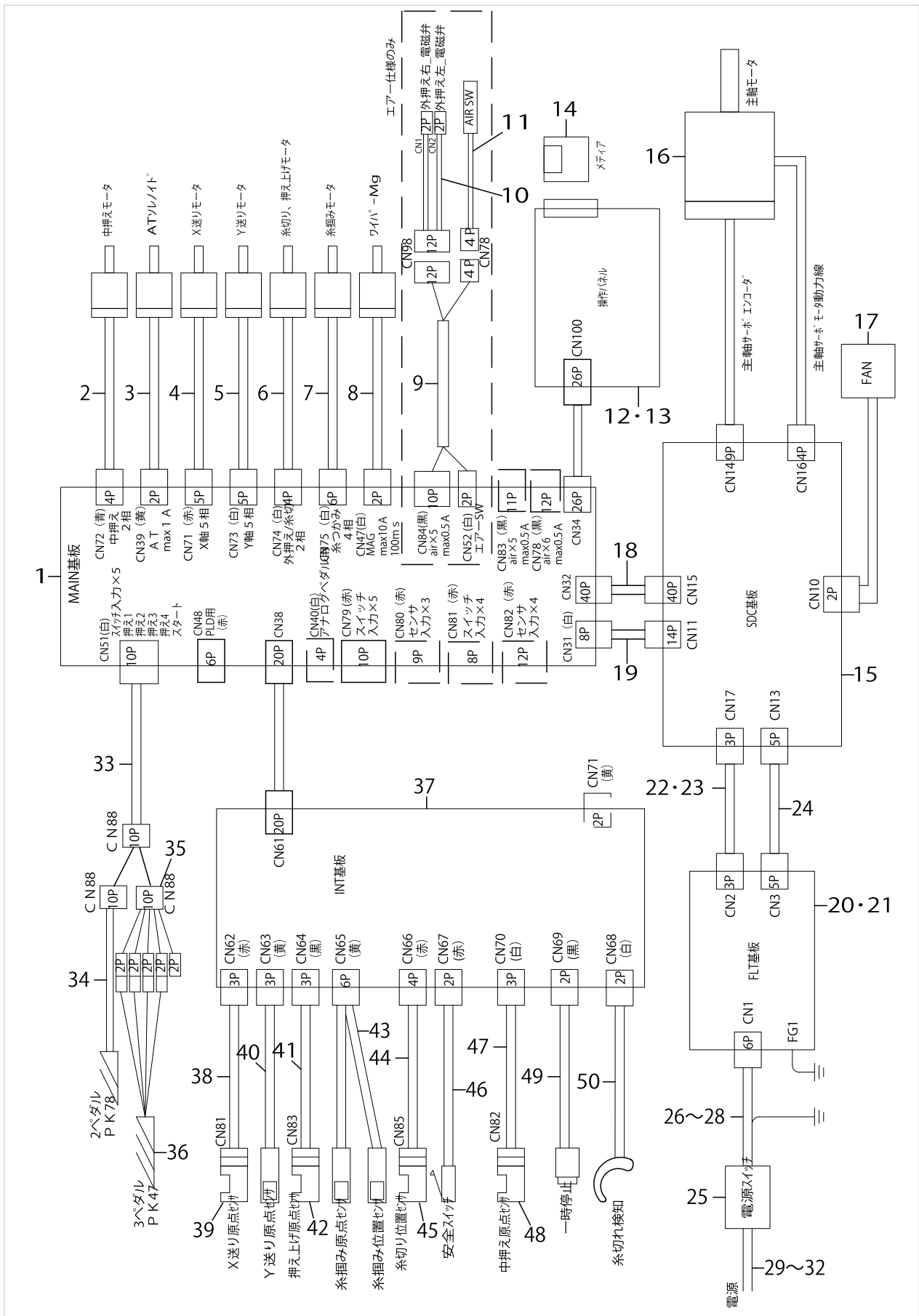
WIRING DIAGRAM



WIRING DIAGRAM

No.	Supply Code	Parts No.	Replacement	Parts name	Remarks	Choice	Step	Level	Cons	Qty	Rep. QTY
1		40031449		MAIN PCB ASSY						1	
2		40029628		INSIDE PRESSURE MOTOR						1	
3		40032539		AT_SOLENOID						1	
4		40029626		X FEED MOTOR						1	
5		40029627		Y FEED MOTOR						1	
6		40029629		PRESSURE FOOT MOTOR						1	
7		40029630		THREAD HOLD MOTOR						1	
8		40030778		WIPER_ASM.						1	
9		40048528		AIR RELAY CABLE ASM.	EXCEPT A-MS-210EHS,ESS					1	
10		40048529		VALVE RELAY CORD ASM	EXCEPT A-MS-210EHS,ESS					1	
11		40030951		FILTER_REGULATOR_ASM.	EXCEPT A-MS-210EHS,ESS					1	
12	R	40015757	40112002	IP-410F						1	1.00
13	D	40032704		EASY PANEL CP-20						1	
14		40055573		COMPACTFLASH(TM)						1	
15	D	40038663		SDC PCB B ASSY						1	
16		40052937		SERVO MOTOR 550W						1	
17		40005401		FAN MOTOR ASS'Y						1	
18		40005727		SDC-MAIN CORD S ASSY						1	
19		40005726		SDC-MAIN CORD P ASSY						1	
20		40000056		FLT-T PCB A ASS'Y	FOR 3-PH-ASE/1-PHASE					1	
21	R	40000046	40162838	FLT-S PCB A ASS'Y	FOR 1-PHASE					1	1.00
22		40005393		FLT-SDC CORD P ASS'Y						1	
23		40012038		REACTOR CORD ASSY	FOR JE					1	
24		40005394		FLT-SDC CORD S ASS'Y						1	
25		HA004250000		SWITCH						1	
26		40005391		POWER CORD 3P ASSY	FOR 3-PH-ASE/1-PHASE					1	
27		40005392		POWER CORD 1P ASS'Y	FOR JE					1	
28		40005388		POWER CORD 1P220V ASSY	FOR GENERAL EXPORT					1	
29		M90355800A0		POWER SOURCE CORD ASM.	FOR 1-PH-ASE(100V)					1	
30		M90175800A0		POWER CABLE ASM.	FOR 3-PH-ASE(200~220V)					1	
31		40005390		JE POWER CABLE ASM.	FOR 1-PHASE(JE)					1	
32		M90245800A0		POWER CABLE ASM.,100V	FOR GENERAL EXPORT					1	
33		40031465		SWRELAYCORDASM.						1	
34		40033831		PK78 PEDAL SWITCH ASM.						1	
35		40033875		PK47 RELAY CABLE ASM.						1	
36		GPK470010AB		3-PEDAL ASM.						1	
37		40032512		INT_PCB_ASM.						1	
38		40032506		X_SENSOR_CABLE_ASM.						1	
39		HD00057000A		PHOTO SENSOR						1	
40		40032505		Y_SENSOR_ASM.						1	
41		40032507		PF_SENSOR_CABLE_ASM.						1	
42		HD00057000A		PHOTO SENSOR						1	
43		40032508		TH_SENSOR_ASM.						1	

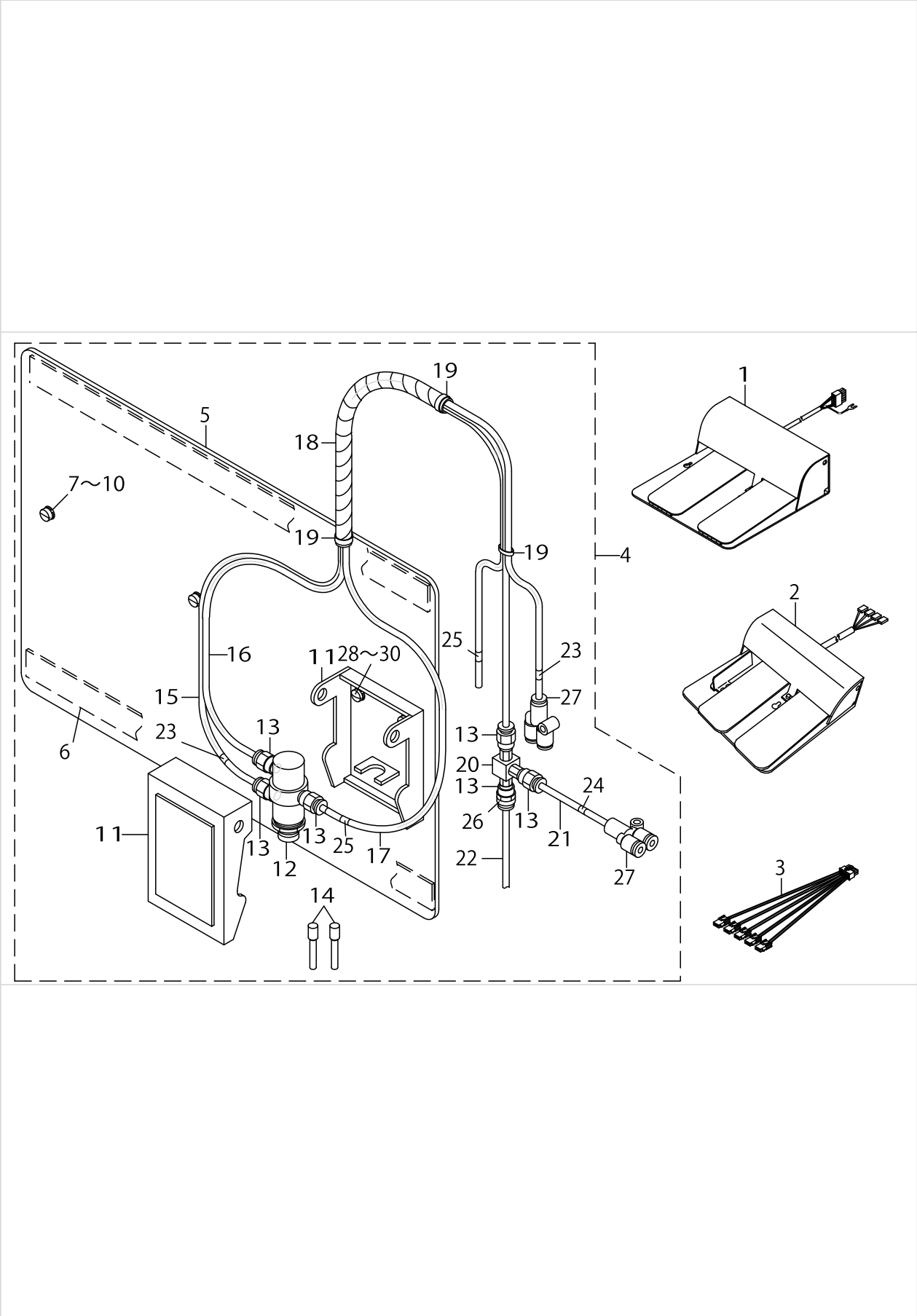
WIRING DIAGRAM



WIRING DIAGRAM

No.	Supply Code	Parts No.	Replacement	Parts name	Remarks	Choice	Step	Level	Cons	Qty	Rep. QTY
44		40032509		TT_SENSOR_CABLE_ASM.						1	
45		HD002230000		PHOTO SENSOR						1	
46	D	40029633		SAFETY SW CORD ASM.						1	
47	R	40032510	40091368	IP_SENSOR_CABLE_ASM.						1	1.00
48		HD00057000A		PHOTO SENSOR						1	
49		40029632		STOP SW ASM.						1	
50		40032511		THB_SENSOR_CABLE_ASM.						1	

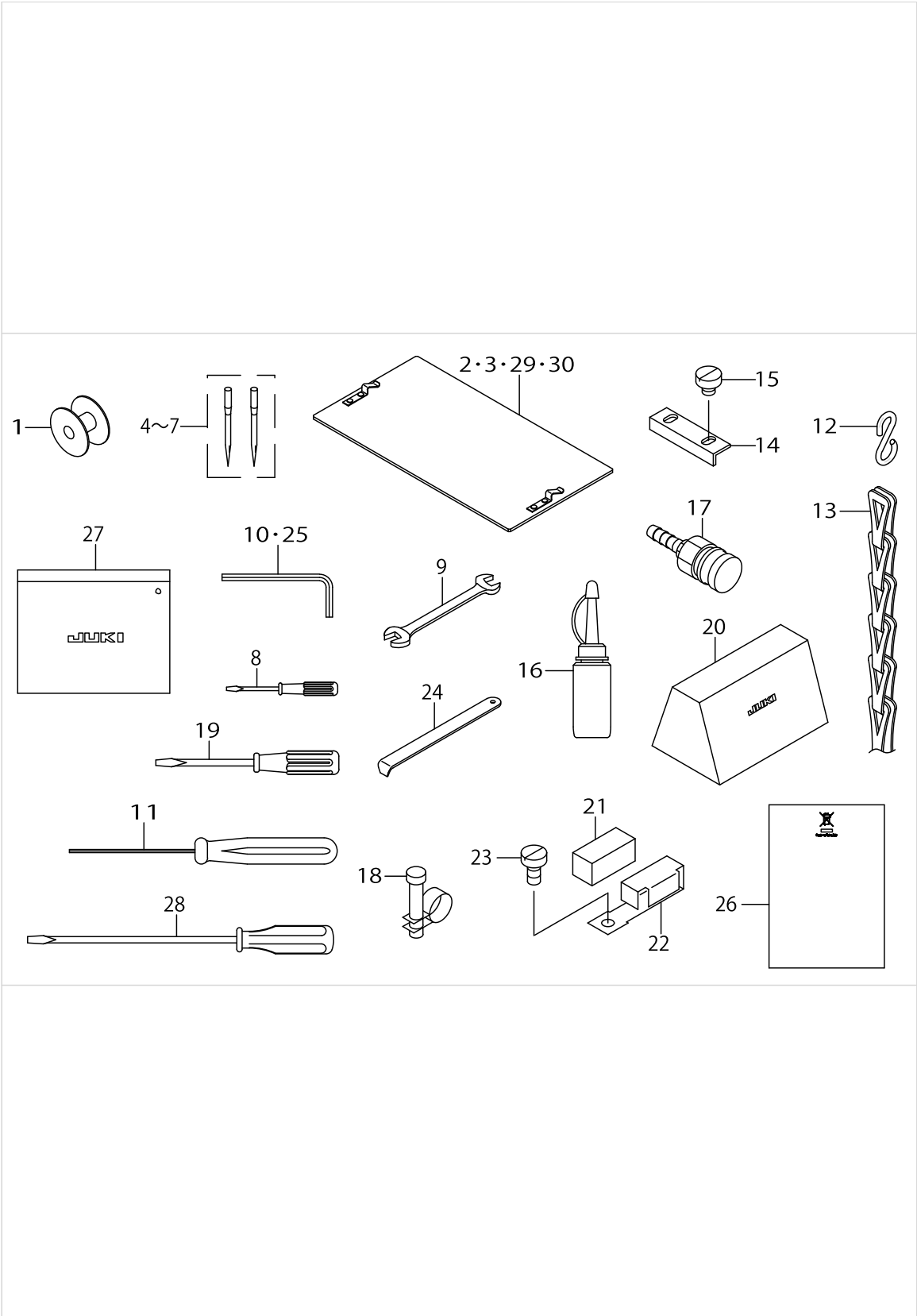
PEDAL COMPONENTS



PEDAL COMPONENTS

No.	Supply Code	Parts No.	Replacement	Parts name	Remarks	Choice	Step	Level	Cons	Qty	Rep. QTY
1		40033831		PK78 PEDAL SWITCH ASM.	FOR AMS-- 210EHS,ES- S, AMS-21- 0E-2206, A- MS-210E-2210					1	
2		GPK470010AB		3-PEDAL ASM.	FOR AMS-- 210EHL,ES- L, AMS-210E-1510					1	
3		40033875		PK47 RELAY CABLE ASM.	FOR AMS-- 210EHL,ES- L, AMS-210E-1510					1	
4		40042352		MECHANICAL VALVE UNIT	FOR AMS-- 210E-2210					1	
5		D8001D15A0Y		PEDAL BASE				*		1	
6		D8002D15A0Y		PEDAL CUSHION				*		2	
7		SS6111210SP		SCREW 11/64-40L=12				*		2	
8		WP0450801SD		WASHER 4.5X10X0.8				*		2	
9		WS0451040KP		SPRING WASHER 4.5X8.5X1				*		2	
10		WP0553216SD		WASHER				*		2	
11		PX020002000		ACTUATOR				*		1	
12		PV010502000		AIR VALVE				*		1	
13		PJ301040501		HALF UNION M5 D=4				*		6	
14		PX500014000		PLUG				*		2	
15		BT0400251EB		URETHANE HOSE, BLACK				*		1.9	
16		BT0400251EB		URETHANE HOSE, BLACK				*		1.8	
17		BT0400251EB		URETHANE HOSE, BLACK				*		1.9	
18		HX00314000A		SPIRAL TUBE				*		0.6	
19		EA9500B0100		CABLE BAND				*		3	
20		GEP01013000		VALVE				*		1	
21		BT0400251EB		URETHANE HOSE, BLACK				*		0.1	
22		BT0400251EB		URETHANE HOSE, BLACK				*		0.1	
23		18035204		WIRE MARK (3)				*		2	
24		18035303		WIRE MARK (4)				*		1	
25		18035600		WIRE MARK (7)				*		2	
26		18035709		WIRE MARK (8)				*		1	
27		PJ308040002		QUICK COUPLING				*		2	
28		WP0450801SD		WASHER 4.5X10X0.8				*		2	
29		WS0451040KP		SPRING WASHER 4.5X8.5X1				*		2	
30		SS7111120TP		SCREW				*		2	

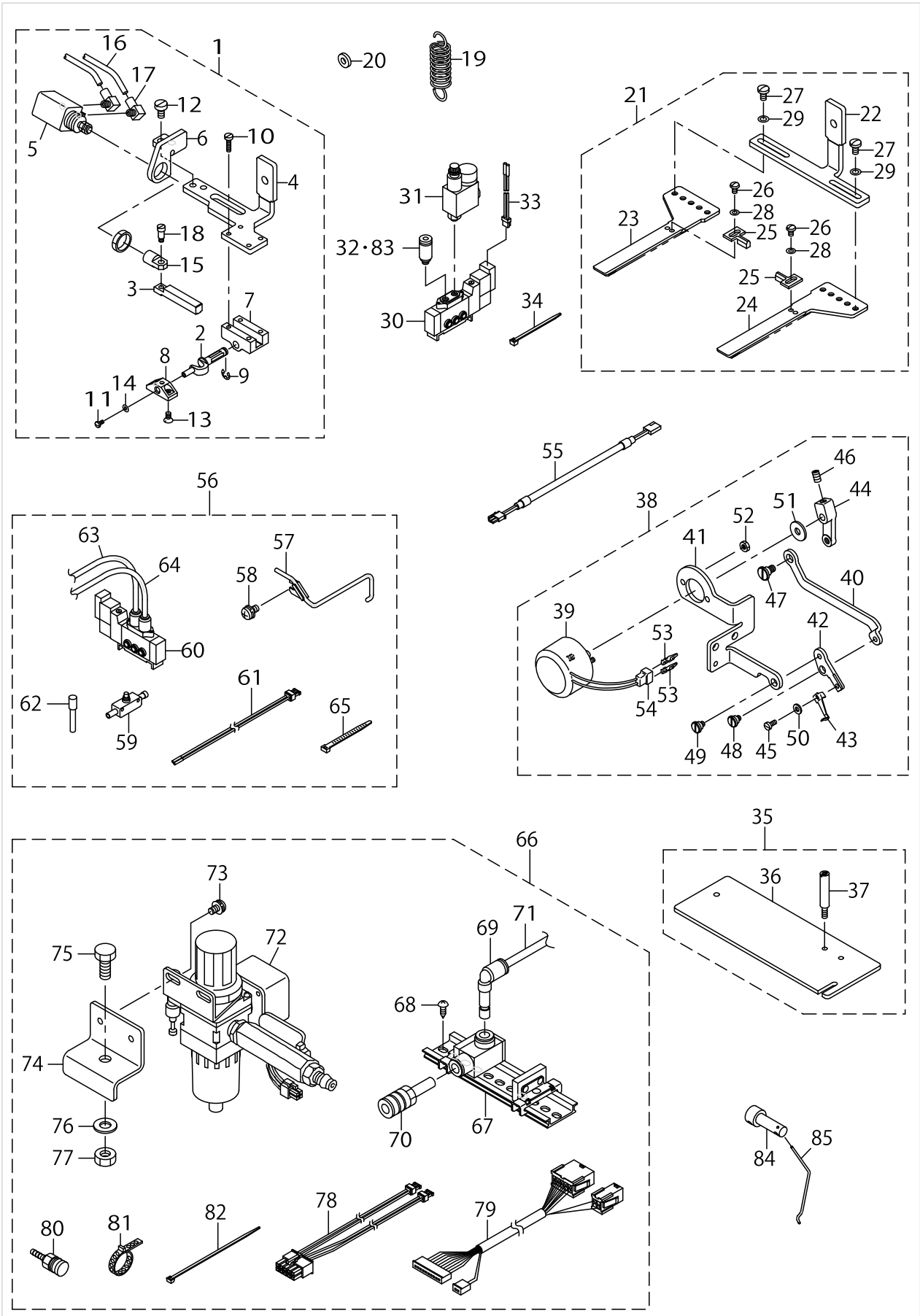
ACCESSORIE PART COMPONENTS



ACCESSORIE PART COMPONENTS

No.	Supply Code	Parts No.	Replacement	Parts name	Remarks	Choice	Step	Level	Cons	Qty	Rep. QTY
1		B1806210D00		BOBBIN						1	
2		B2557210DA0		PLASTIC BLANK PLATE ASM.	FOR AMS-- 210EHS,ESS					2	
3		40036479		PLASTIC, BLANK, PLATE, ASM	FOR AMS-- 210E-1510					2	
4	R	MDP500B1402	MDP500B1400	NEEDLE DPX5#14-2	TYPE S (FOR ST)				☆	1	1.00
5	R	MDP170B1802	MDP170B1800	NEEDLE DPZ17#18-2	TYPE H (FOR ST)				☆	1	1.00
6		MC200501002		NEEDLE 134 #100-2	TYPE S (FOR JE)				☆	1	
7		MC372001102		NEEDLE SY3355 #110-2	TYPE H (FOR JE)				☆	1	
8		22933204		SCREW DRIVER, SMALL						1	
9		B9113012000		WRENCH (9X10)						1	
10		B9140372000		HEXAGONAL WRENCH, SMALL						1	
11		40032763		HEXAGONAL_DRIVER(1.5)						1	
12		13160304		S SHAPED HOOK	FOR AMS-- 210EHS,ESS					2	
13		26037903		CHAIN	FOR AMS-- 210EHS,ESS					1	
14		B2592210000		PLASTIC PLATE STOPPER	EXCEPT A- MS-210EHL,ESL					2	
15		SM6040450TP		SCREW M4 L=4	EXCEPT A- MS-210EHL,ESL					1	
16		B91212200A0		OILER (CONTAINING NO.2 OIL)						1	
17		PJ309520001		SOCKET	EXCEPT A- MS-210EHS,ESS					1	
18		PB000010000		HOSE BAND	EXCEPT A- MS-210EHS,ESS					1	
19		22933105		SCREW DRIVER, MIDDLE						1	
20		40027770		VINYL COVER						1	
21		B1131528000		FELT						1	
22		10102200		THREAD GUIDE F						1	
23		SM6040860TP		SCREW M4 L=8						1	
24		B9101490000		DRIVER						1	
25		B9141372000		HEXAGONAL WRENCH, LARGE						1	
26		CM600100201		WEEE INFORMATION SHEET	FOR JE					1	
27		22932800		ACCESSORIE BAG						1	
28		22933006		SCREW DRIVER, LARGE						1	
29		D2557D10DAD		BLANK ASM.	FOR AMS-- 210E-2206					2	
30		40039543		PLASTIC, BLANK, PLATE, ASM.	FOR AMS-- 210E-2210					2	

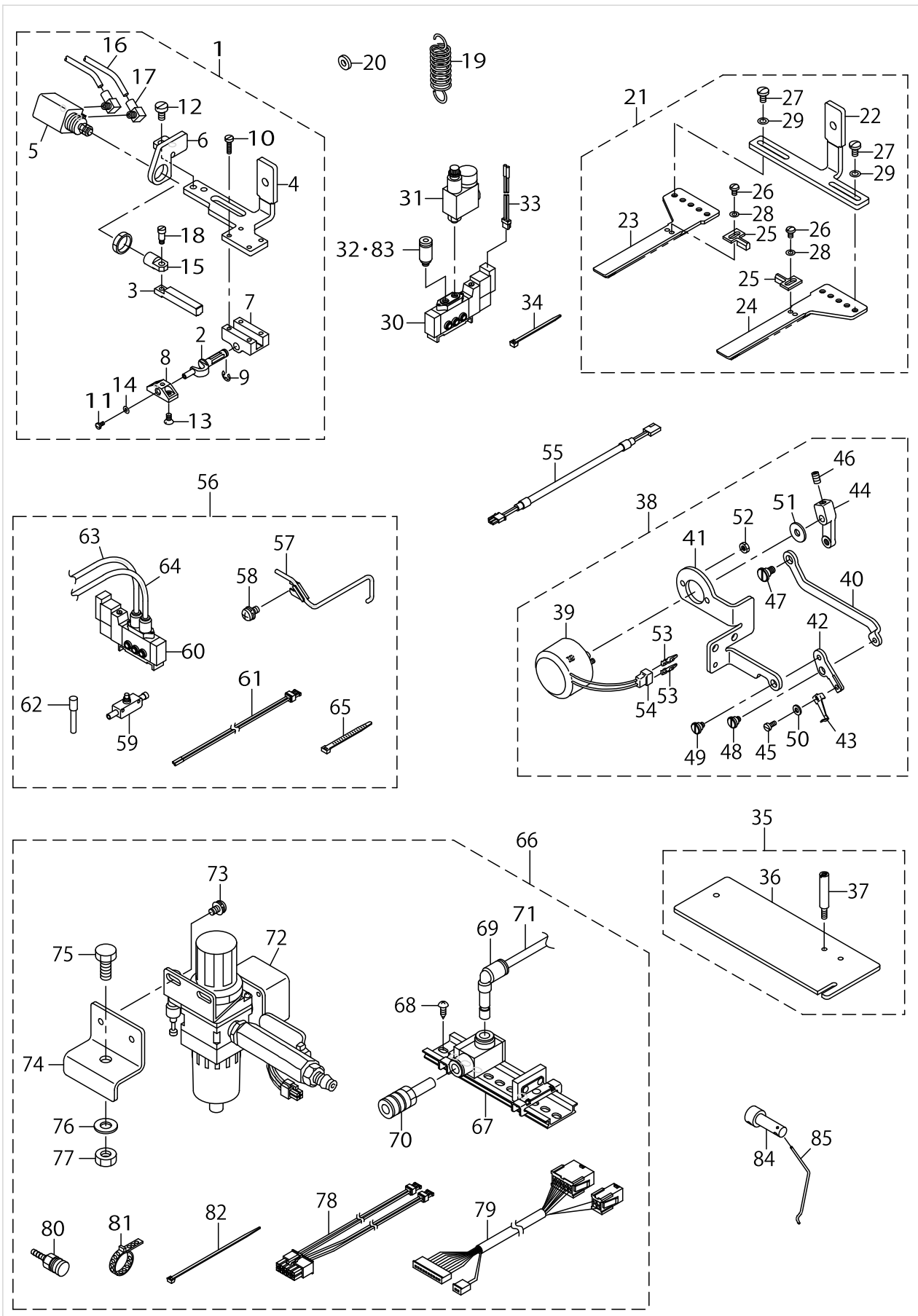
OPTIONAL PART COMPONENTS (1)



OPTIONAL PART COMPONENTS (1)

No.	Supply Code	Parts No.	Replacement	Parts name	Remarks	Choice	Step	Level	Cons	Qty	Rep. QTY
1		GFU010030A0		SLIDE PLATE ASM.						1	
2		GFU01001000		TURN AROUND CRANK SHAFT				*		1	
3		GFU01002000		INVERTING LAC				*		1	
4		GFU01003000		INNER PRESSER SLIDE PLATE				*		1	
5		PA1600801A0		AIR CYLINDER				*		1	
6		GFU01006000		TURN CYLINDER BRACKET				*		1	
7		B4303210000		TURN AROUND CRANK BEARING				*		1	
8		B4314210000		INTERMEDIATE PRESSER BASE				*		1	
9		RE0400000K0		E-RING 4				*		1	
10		SS6081210SP		SCREW 1/8-44 L=12				*		4	
11		SS7060610SP		SCREW 3/32-56 L=5.5				*		1	
12		SS6120940SP		SCREW 3/16-28 L=9				*		2	
13		SS1090750SP		SCREW 9/64-40 L=7				*		2	
14		WP0250516SD		WASHER 2.5X6X0.5				*		1	
15		B4306220000		KNUCKLE				*		1	
16		BT0400251EB		URETHANE HOSE, BLACK				*		1.3	
17		PJ046052503		HOSE ELBOW				*		2	
18		SD0460703TP		HINGE SCREW D=4.6 H=7				*		1	
19		GFU01007000		SPRING	FOR TYPE S					1	
20		WP0502616SD		WASHER						1	
21		GFU010040A0		OUTER PRESSER S-LIDE PLATE ASM.						1	
22		GFU01004000		OUTER PRESSER SLIDE PLATE				*		1	
23		D255121XX00		WALKING FOOT (A)				*		1	
24		D255221XX00		WALKING FOOT (B)				*		1	
25		D255421XX00		COMPENSATING FOOT				*		2	
26		SS5090610SP		SCREW 9/64-40 L=6				*		2	
27		SS7110840SP		SCREW 11/64-40 L=7.8				*		4	
28		WP0371026SD		WASHER 3.7X7X1				*		2	
29		WP0480856SP		WASHER 4.8X8.4X0.8				*		4	
30		PV150209100		SOLENOID VALVE						1	
31		PF0205030A0		REGULATOR	FOR TYPE H					1	
32		PJ301040505		HALF UNION	FOR TYPE S					2	
33		40035324		SOLENOID VALVE CONNECTER ASM						1	
34		EA9500B0100		CABLE BAND						3	
35	R	40036526	40036525	AMS-210E(MU12)SET		A				1	1.00
35	R	40036526	40036524	AMS-210E(MU12)SET		A				1	1.00
36		40036524		HOLDER PLATE				*		1	
37		40036525		PIPE HOLDER STUD				*		1	
38		40035867		WIPER ASM.						1	
39		B2101220000		WIPER SOLENOID				*		1	
40		40036229		WIPER CONNECTING PLATE				*		1	
41		40035866		WIPER_BASE				*		1	
42		40036230		WIPER INSTALLING PLATE				*		1	
43		B2107210000		WIPER				*		1	
44		40036392		WIPER ARM				*		1	

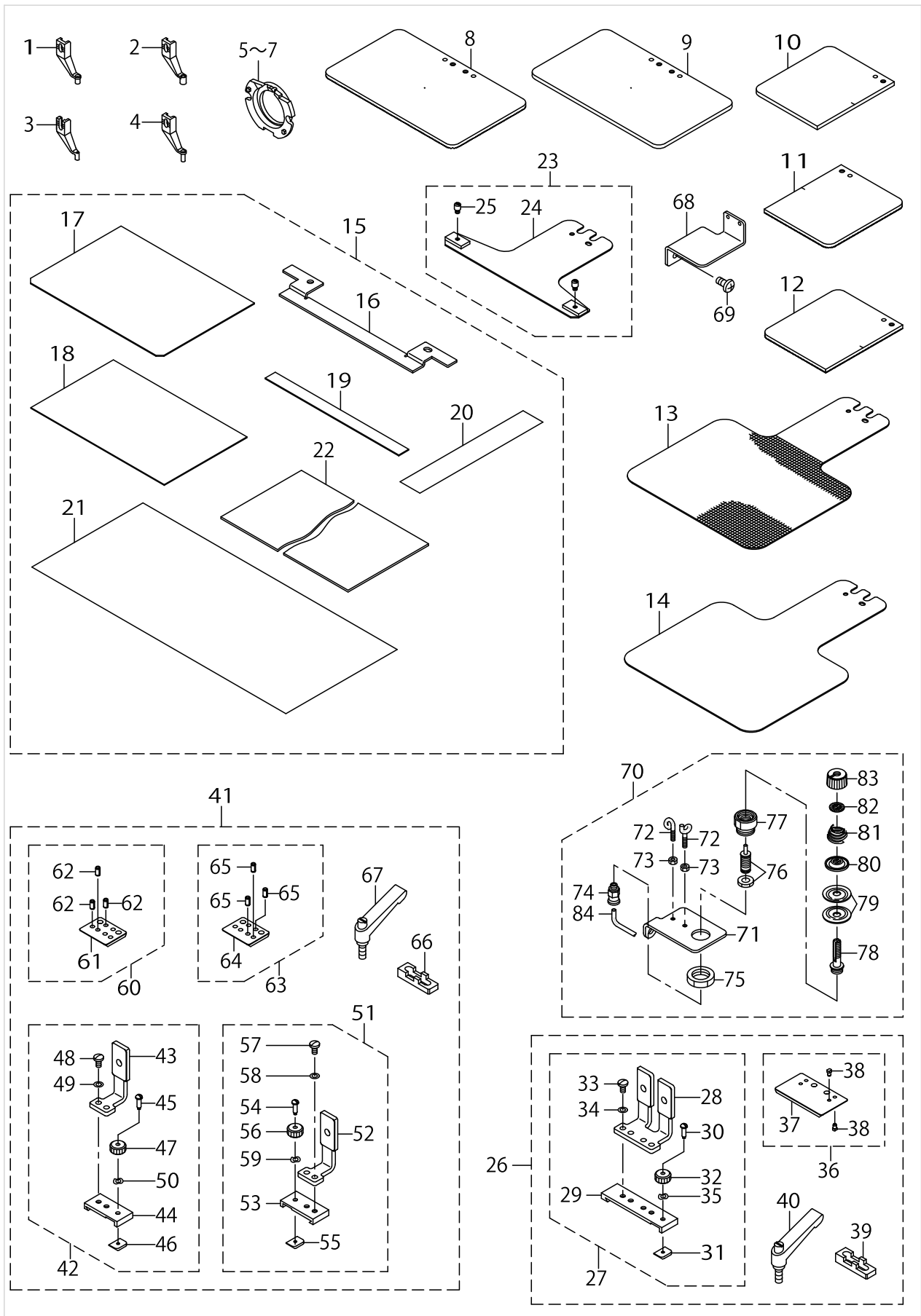
OPTIONAL PART COMPONENTS (1)



OPTIONAL PART COMPONENTS (1)

No.	Supply Code	Parts No.	Replacement	Parts name	Remarks	Choice	Step	Level	Cons	Qty	Rep. QTY
45		SM67506C0TP		SCREW M3.5 L=6				*		1	
46		SM8050812TP		SCREW M5X8				*		1	
47		SD0700406TP		SHOULDER SCREW				*		1	
48		SD0640327TP		SHOULDER SCREW D=6.35 H=3.2				*		1	
49		SD0640327TP		SHOULDER SCREW D=6.35 H=3.2				*		1	
50		WP0371016SD		WASHER 3.7X8X1				*		1	
51		WP0561616SC		WASHER 5.6X16X1.6				*		1	
52		NM6040003SC		NUT M4				*		2	
53		HP000200200		PIN-SHAPE TERMINAL, MALE				*		2	
54		HK018800020		2-POLE PLUG				*		1	
55		40058422		WIPER RELAY CABLE ASM.						1	
56		40035692		NEEDLE COOLER ASM.						1	
57		40035694		NEEDLE COOLER COMPL.				*		1	
58		SL4051091SC		SCREW M5X0.8 L=10				*		1	
59		PC012401000		SPEED CONTROLLER				*		1	
60		PV150209000		5 PORT SOLENOID VALVE				*		1	
61		40035324		SOLENOID VALVE CONNECTER ASM				*		1	
62		PX500014000		PLUG				*		1	
63		BT0400251EB		URETHANE HOSE, BLACK				*		0.7	
64		BT0400251EB		URETHANE HOSE, BLACK				*		0.3	
65		HX002330000		CLIP				*		3	
66		40035693		AIR UNIT ASM.	FOR AMS-- 210EHS,ESS					1	
67		PV915005000		SOLENOID VALVE I- NSTALLING BASE				*		1	
68		SK3412001SE		WOOD SCREW D=4.1 L=20				*		2	
69		PJ304060001		ELBOW				*		1	
70		PX050003000		SILENCER				*		1	
71		BT0600401EB		TUBE				*		0.5	
72		40030951		FILTER_REGULATOR_ASM.				*		1	
73		SL4051091SC		SCREW M5X0.8 L=10				*		2	
74		40023662		FILTER INSTALLING PLATE				*		1	
75		SL9082093SE		SCREW				*		1	
76		WP0871602SE		WASHER 8.7X18X1.6				*		1	
77		NM6080721SE		NUT M8				*		1	
78		40048529		VALVE RELAY CORD ASM				*		1	
79		40048528		AIR RELAY CABLE ASM.				*		1	
80		PJ309520001		SOCKET				*		1	
81		PB000010000		HOSE BAND				*		1	
82		EA9500B0100		CABLE BAND				*		1	
83		PJ301040505		HALF UNION	FOR TYPE H					1	
84		40076294		WIPER_SHAFT_CAP						1	
85		B2107210D0B		WIPER						1	

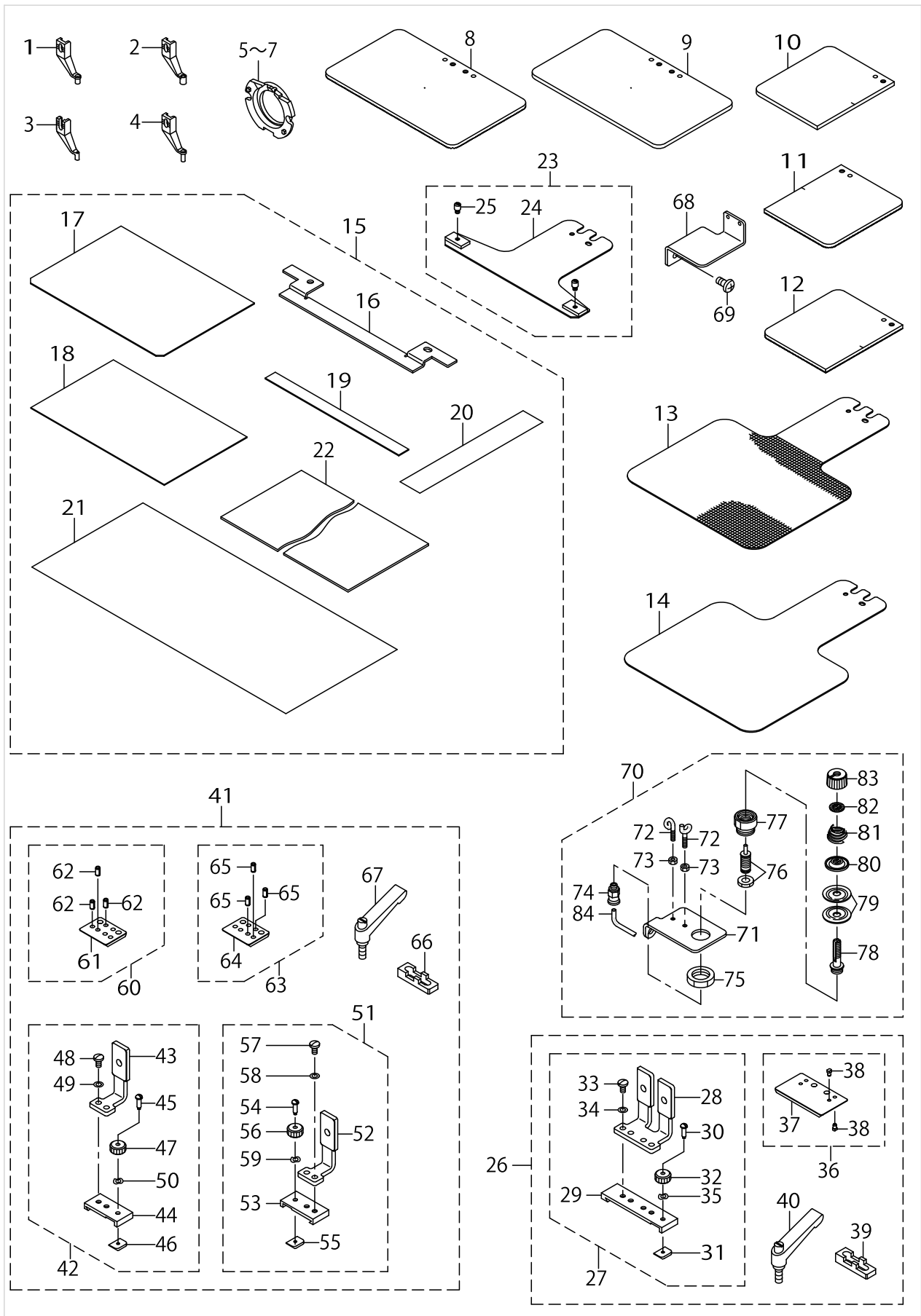
OPTIONAL PART COMPONENTS (2)



OPTIONAL PART COMPONENTS (2)

No.	Supply Code	Parts No.	Replacement	Parts name	Remarks	Choice	Step	Level	Cons	Qty	Rep. QTY
1		B1601210D0BA		INTERMEDIATE PRESSER B						1	
2		B1601210D0CA		INTERMEDIATE PRESSER C						1	
3		B1601210D0E		INNER PRESSER E						1	
4		B1601210D0FA		INTERMEDIATE PRESSER F						1	
5		14103253		INNER HOOK PRESSER ASM., A						1	
6		14103659		SHUTTLE RACE RING ASM.,C						1	
7		B1817210DAD		SHUTTLE RACE RING ASM.,D						1	
8		40035606		FEEDING FRAME BLANK						1	
9		40035607		FEEDING FRAME BLANK						1	
10		40035608		FEEDING FRAME BLANK						1	
11		40035609		FEEDING FRAME BLANK R						1	
12		40035610		FEEDING FRAME BLANK L						1	
13		B2556210D0A		LOWERPLATEBLANK						1	
14		B2556210D0B		LOWERPLATEBLANK						1	
15		B2594210DA0		CASSETTE PRESSER ASM.						1	
16		B2594210D00		CASSETTE PRESSER BASE PLATE				*		1	
17		B2598210D00		CASSETTE PRESSE- R LOWER PLATE				*		1	
18		B2599210D00		CASSETTE PRESSE- R UPPER PLATE				*		1	
19		B2589210D00		CASSETTE PRESSER SPACER				*		1	
20		B2572229000		FILAMENT TAPE				*		1	
21		B2646215000		TAPE				*		1	
22		B2587210000		MATERIAL PLATE A				*		1	
23		B2593210DA0		CASSETTE HOLDER FIX PLATE ASM.						1	
24		B2593210D00		CASSETTE HOLDER FIXING PLATE				*		1	
25		B2560372000		BUTTON CLAMP STOP PIN				*		2	
26		B2585210DB0		ONE-TOUCH CLAMP ASM.	FOR AMS-- 210EHS,ESS					1	
27		B2585210DA0		SLIDING PLATE ASM.				*		1	
28		B2585210D00		SLIDING PLATE				*		1	
29		B2587210D00		SLIDER HOLDING				*		1	
30		B5038206000		SET SC				*		1	
31		B5039206000		SET PLATE				*		1	
32		16108300		NUT B				*		1	
33		SS7110840SP		SCREW 11/64-40 L=7.8				*		2	
34		WP0480856SP		WASHER 4.8X8.4X0.8				*		2	
35		WZ0430200KH		WAVED WASHER				*		1	
36		B2595210DA0		SLIDER ASM.				*		1	
37		B2595210D00		SLIDER				*		1	
38		B1816280000		GUIDE PIN				*		4	
39		B2597210D00		CLAMP PLATE				*		1	
40		B5115210000		FEEDING FRAME CLAMP LEVER				*		2	
41		B2586210DB0		ONE-TOUCH CLAMP ASM.	FOR AMS-- 210EHL,ESL					1	
42		B2586210DA0		SLIDING PLATE ASM., RIGHT				*		1	
43	D	B2586210D00		SLIDING PLATE				*		1	
44		B2588210D00		SLIDER HOLDING				*		1	

OPTIONAL PART COMPONENTS (2)



OPTIONAL PART COMPONENTS (2)

No.	Supply Code	Parts No.	Replacement	Parts name	Remarks	Choice	Step	Level	Cons	Qty	Rep. QTY
45		B5038206000		SET SC				*		1	
46		B5039206000		SET PLATE				*		1	
47		16108300		NUT B				*		1	
48		SS7110840SP		SCREW 11/64-40 L=7.8				*		2	
49		WP0480856SP		WASHER 4.8X8.4X0.8				*		2	
50		WZ0430200KH		WAVED WASHER				*		1	
51		B2586210DAA		SLIDING PLATE ASM., LEFT				*		1	
52	D	B2586210D00		SLIDING PLATE				*		1	
53		B2588210D00		SLIDER HOLDING				*		1	
54		B5038206000		SET SC				*		1	
55		B5039206000		SET PLATE				*		1	
56		16108300		NUT B				*		1	
57		SS7110840SP		SCREW 11/64-40 L=7.8				*		2	
58		WP0480856SP		WASHER 4.8X8.4X0.8				*		2	
59		WZ0430200KH		WAVED WASHER				*		1	
60		B2596210DA0		SLIDER ASM., RIGHT				*		1	
61		B2596210D00		SLIDER				*		1	
62		PS0400082KP		SPRING PIN				*		3	
63		B2596210DAA		SLIDER ASM., LEFT				*		1	
64		B2596210D00		SLIDER				*		1	
65		PS0400082KP		SPRING PIN				*		3	
66		B2597210D00		CLAMP PLATE				*		1	
67		B5115210000		FEEDING FRAME CLAMP LEVER				*		2	
68		B2535210000		TANK BASE				*		1	
69		SM4040855SP		SCREW				*		2	
70		40040560		THREAD TENSION NO.3 ASM.				*		1	
71		D4012D10N0H		THREAD TENSION NO.3 BASE				*		1	
72		B3114771000		THREAD GUIDE				*		2	
73		NS6090310SP		NUT 9/64-40				*		2	
74		PJ301040502		HALF UNION 4XM5				*		1	
75		NM6160511SE		NUT M16X1.5				*		1	
76		PA0600504A0		AIR CYLINDER				*		1	
77		G2302309000		THREAD TENSION ROD BASE				*		1	
78		G2301309000		THREAD TENSION ROD				*		1	
79	R	B3126012000	22921506	THREAD TENSION DISK				*		2	1.00
80		B3132552000		THREAD TENSION DISK PRESSER				*		1	
81		B3121352000		TENSION SPRING				*		1	
82		B3120125000		ROTATING STOPPER				*		1	
83		11072204		TENSION NUT				*		1	
84		BT0400251EB		URETHANE HOSE, BLACK				*		2	

LIST FOR INFORMATION OF CHANGE

As to the place changed, refer to the corresponding Rev.No.
 When previous parts(Obsoleted part)and new parts(Added parts)are not interchangeable with each other:
 In this case,even obsoleted parts(D.)can be ordered with the obsoleted part number,so select the parts with changed dates and place your orders.

変更箇所は、該当Rev.No.版をご参照ください。
 部品の互換性がない変更の場合は、削除された品番でも、ご注文できます。

40033708
 No.1430-08} Rev.No.

*A:Added parts追加部品/D:Obsoleted parts削除部品/E:Erratum訂正

*	Rev. No.	Page No.	Ref. No.	Parts No. 品番	*	Rev. No.	Page No.	Ref. No.	Parts No. 品番
D	07	10	7	400-32719	A	08	10	7	400-68835
D	07	10	14	400-24990	A	08	10	14	400-68833
D	07	10	28	400-24987	A	08	10	28	400-68834
D	07	10	37	SD-1000336-TP	A	08	10	37	SD-1000506-TP
D	07	10	56	400-25432					
D	07	10	57	NM-6050003-SC					
D	07	10	58	400-30618	A	08	10	58	400-68829
D	07	10	59	400-25424	A	08	10	59	400-38832
D	07	10	60	SD-1000337-TP	A	08	10	60	SD-1002206-TP
D	07	10	62	SD-0700336-TP					
					A	08	16	4	400-72009
D	07	16	41	400-14965	A	08	16	41	400-61991
					A	08	16	52	400-14965
D	07	17	19	HA-0005900-00	A	08	17	19	HA-0060000-00
					A	08	20	25	400-73085
					A	08	20	28	B2426-210-00D
					A	08	44	84	400-76294
					A	08	44	85	B2107-210-D0B

HOW TO MAKE USE OF THIS PARTS LIST

1.Explanation of codes

1)"*"mark.....means this part is changed from the previous parts book.

As to the details of the change, refer to the "List for information of change".

2)"#01".....refer to "Note" explanation at bottom of page.

2.Codes on the "Qty" column

• Each numeral indicates the number of parts required.

• "0.1" and "2.5" indicate the length (in meters) of the respective parts.

3.Parentheses mean that the corresponding part is a subpart that constructs an assembly part.

4.Dotted lines on the Figures indicate assembly parts.

5.As to the parts with marks of "☆"(consumable parts) and "◎"(optional parts)on the respective parts, it is recommended to prepare spares.

1."注記"欄の記号説明

1) "*"印.....前回のパーツブックに比較して今回変更された部品を意味します。

変更内容は、"変更情報リスト"を参照してください。

2) "#01".....ページ下の"注記"の説明を参照してください。

2.数量欄の数字は、個数を表し、0.1、2.5等の数値は、長さ（単位メートル）を表します。

3.数量欄の（ ）は、組部品を構成している子部品であることを意味します。

4.イラストページの-----枠は、組構成であることを意味します。

5.リストページの"☆"（消耗部品）、"◎"（オプション部品）の印がついた部品は、予備を準備しておくことをお奨めします。

※"コンパクトフラッシュ（TM）"は米国サンディスク社の登録商標です。

*"CompactFlash(TM)"is the registered trademark of SanDisk Corporation,U.S.A

NUMERICAL INDEX OF PARTS

PART NO	PAGE	REF NO.	PART NO	PAGE	REF NO.	PART NO	PAGE	REF NO.
10004109	6	3	22891006	18	73	23638406	14	68
10102200	4	46	22891204	16	28	26037903	84	13
10102200	84	22	22901409	18	62	26211904	2	12
10108009	16	22	22902506	2	4	26218602	38	31
10502300	2	35	22907505	20	45	26221101	10	30
11071701	20	46	22907554	20	44	26221200	10	29
11072204	92	83	22920508	2	16	26223701	50	38
11072402	8	55	22921506	38	29	26226001	24	42
11111051	36	13	22921605	38	42·46	26226209	30	35
11155108	66	37	22928808	38	28	26228809	30	56
11155157	64	36	22930309	70	14	26260109	6	5
11155207	66	38	22930358	70	1	26260208	6	6
11158300	64	32	22930408	70	10	26260307	6	7
11158409	64	5	22930507	70	9	26260406	6	8
11158516	64	10	22930705	70	7	26260505	6	9
11158607	64	6	22930804	70	5	26260604	6	10
11159001	64	17	22930903	70	4	26260703	6	11
11159506	64	15	22931000	70	3	26260802	6	12
13122403	20	23	22931109	70	2	26261206	6	16
13122452	20	22	22931208	70	15	26261305	6	17
13160304	84	12	22931307	70	11	26261503	6	18
13529607	32	26	22931406	70	8	26261602	6	19
13705108	2	21	22931505	30	38	26261701	6	20
13747001	30	59	22932800	84	27	26501858	32	18
13816855	10	27	22933006	84	28	31262801	10	28
13817754	64	13	22933105	84	19	40000046	78	20·21
14103253	90	5~7	22933204	84	8	40000056	76	19
14103352	32	39	22955504	36	4	40000056	78	20·21
14103659	90	5~7	22955900	36	7	40000133	74	60
14103907	32	21	22956007	36	8	40000134	74	53
14104004	32	19	22956106	36	9	40000135	74	54
14113450	8	52	22956205	36	10	40000136	74	55
14113468	8	51	22956908	36	14	40000138	74	56
14118152	64	4	22957104	36	15	40000140	74	57
14118251	64	8	22957203	36	16	40000146	72	36
14191951	64	1·2	23517501	42	4~7	40003451	76	1
14204655	68	6	23517600	42	4~7	40003452	76	2
16108300	90	56	23517709	42	4~7	40003453	76	3
16108300	92	56	23517808	42	4~7	40003458	76	41
17007402	64	9	23604200	16	2	40003970	24	46
17845009	76	30	23604309	16	42	40005388	78	26~28
18035204	82	23	23610108	20	39	40005390	78	29~32
18035303	82	24	23630007	32	25	40005391	76	32
18035600	82	25	23638109	14	65	40005391	78	26~28
18035709	82	26	23638208	14	67	40005392	78	26~28

NUMERICAL INDEX OF PARTS

PART NO	PAGE	REF NO.	PART NO	PAGE	REF NO.	PART NO	PAGE	REF NO.
40005393	76	34	40006768	46	19	40010511	38	36
40005393	78	22·23	40006772	46	10	40010512	38	37
40005394	76	35	40006777	46	16·17	40010513	38	38
40005394	78	24	40006780	46	11	40010514	38	39
40005401	76	23	40006781	46	12	40010515	38	40
40005401	78	17	40006782	46	14·15	40010521	38	43
40005692	72	4	40006836	14	60	40010522	38	44
40005697	72	11	40006840	14	62	40010523	38	45
40005705	76	14	40009290	14	81	40010525	42	16
40005706	76	27	40010414	2	10	40010527	46	22
40005712	8	49	40010415	16	5	40010528	46	23
40005726	76	36	40010418	16	7	40010533	18	54
40005726	78	19	40010421	16	20	40010589	46	9
40005727	76	37	40010422	16	9	40011152	46	24
40005727	78	18	40010423	16	10	40011359	38	41
40005848	72	42	40010424	16	11	40011902	18	77
40006317	32	9	40010425	16	12	40012038	78	22·23
40006484	2	39	40010426	16	13	40012965	20	19
40006496	14	64	40010427	16	14	40013640	6	29
40006497	14	66	40010434	16	33	40013967	40	48
40006515	18	50	40010437	16	36	40014963	32	40
40006516	18	52	40010438	16	37	40014964	34	41·49·52
40006529	18	64	40010439	16	38	40014965	34	41·49·52
40006530	18	65	40010440	16	39	40015757	78	12·13
40006531	18	66	40010441	18	55	40015800	46	5
40006532	18	74	40010442	18	56	40023623	54	3
40006534	18	70	40010443	30	43	40023624	42	13
40006535	18	71	40010464	28	31	40023626	28	7
40006537	18	75	40010464	32	2	40023627	30	36
40006555	16	17	40010470	32	27	40023629	12	33
40006561	16	23	40010471	32	28	40023631	22	49
40006567	32	5	40010472	32	30	40023632	22	50
40006569	32	6	40010477	38	6	40023635	58	22
40006574	32	13	40010479	38	8	40023635	60	15
40006576	32	31	40010487	38	17	40023636	58	1
40006577	32	22	40010489	38	23	40023636	60	1
40006578	32	45	40010490	38	20	40023638	58	10
40006617	38	5	40010497	38	21	40023639	60	6
40006622	38	25	40010498	38	22	40023640	60	3
40006625	38	4	40010499	38	24	40023641	60	13
40006666	30	45	40010503	38	27	40023642	60	14
40006712	42	10	40010504	38	30	40023643	60	2
40006761	46	1	40010508	38	32·33	40023644	60	11
40006762	46	3	40010509	38	34	40023645	58	2
40006765	46	4	40010510	38	35	40023646	58	3

NUMERICAL INDEX OF PARTS

PART NO	PAGE	REF NO.	PART NO	PAGE	REF NO.	PART NO	PAGE	REF NO.
40023647	58	12	40025018	10	6·7	40028877	2	28
40023647	60	5	40025021	10	12·14	40029411	38	32·33
40023648	58	9	40025023	10	8·10	40029412	38	42·46
40023649	58	6	40025030	24	36	40029419	20	36
40023650	58	7	40025031	10	22	40029420	24	5
40023651	58	16	40025414	2	14	40029626	54	1
40023652	58	4	40025415	20	8	40029626	78	4
40023653	58	5	40025416	36	3	40029627	54	2
40023654	58	17	40025417	16	8	40029627	78	5
40023662	68	11	40025418	24	33	40029628	24	20
40023662	88	74	40025419	26	47	40029628	78	2
40023663	58	21	40025420	24	44	40029629	28	22
40023663	60	16	40025421	24	7	40029629	78	6
40023865	6	13	40025423	24	8	40029630	46	30
40023866	6	14	40025426	24	27	40029630	78	7
40023993	38	12	40025427	20	2	40029632	2	33
40023997	38	26	40025428	20	11	40029632	80	49
40023999	38	15	40025429	20	26	40029633	14	71
40024062	34	51	40025431	20	1	40029633	80	46
40024063	32	7	40025435	28	30	40029776	14	63
40024066	32	1	40025436	28	33	40030615	24	15
40024068	38	14	40025437	54	9	40030616	22	62
40024070	38	11	40025438	54	14	40030617	20	4
40024645	28	1	40025439	56	31	40030619	24	17
40024646	28	2	40025440	36	34	40030620	20	31
40024988	20	29	40025441	36	35	40030621	22	55
40024989	24	24	40026817	24	4	40030623	22	47
40024991	20	40	40026818	16	24	40030625	24	1
40024992	30	51	40026819	24	9	40030626	24	2
40024993	30	52	40026829	14	56	40030627	24	3
40024994	30	53	40026830	14	57	40030628	22	63~65
40024995	30	57	40026831	14	58	40030629	22	63~65
40024996	28	27	40026882	18	57	40030630	22	63~65
40024997	10	1	40026884	18	60·61	40030694	72	5
40024998	2	29	40026979	2	3	40030695	72	7
40024999	2	6	40026980	2	1	40030696	72	8
40025009	28	26	40027770	84	20	40030697	72	9
40025010	24	23	40027870	24	37	40030764	74	59
40025011	20	13	40027971	2	37	40030765	72	37
40025012	20	5	40028337	28	23	40030766	72	39
40025013	56	45	40028338	6	4	40030767	72	38
40025014	12	40	40028459	2	31	40030778	36	1
40025015	10	26	40028834	4	48	40030778	78	8
40025016	24	31	40028835	4	49	40030779	36	12
40025017	10	4	40028873	42	21	40030780	36	5

NUMERICAL INDEX OF PARTS

PART NO	PAGE	REF NO.	PART NO	PAGE	REF NO.	PART NO	PAGE	REF NO.
40030828	2	8	40032512	14	73	40036117	32	37
40030829	6	15	40032512	78	37	40036118	34	47
40030923	72	35	40032539	38	1	40036229	86	40
40030926	72	41	40032539	78	3	40036230	86	42
40030932	42	23~25	40032671	32	12	40036392	86	44
40030933	42	23~25	40032704	72	1	40036457	10	6·7
40030934	42	45	40032704	78	12·13	40036459	10	9·11
40030935	42	15	40032714	72	6	40036461	10	13·15
40030936	42	1	40032763	84	11	40036464	10	23
40030937	28	3	40032798	20	43	40036465	14	76
40030940	46	26	40032805	28	17~20	40036467	14	77
40030942	46	16·17	40033042	54	15	40036468	14	79
40030943	46	14·15	40033144	48	1~4	40036470	28	17~20
40030944	48	1~4	40033145	48	5~7	40036473	54	4
40030945	48	5~7	40033146	48	16	40036474	50	35
40030946	50	31	40033147	48	18	40036475	54	12·13
40030947	54	6	40033148	48	19·20	40036476	54	16
40030948	54	10	40033149	50	23	40036477	60	42
40030949	64	35	40033150	48	12~14	40036478	60	43
40030950	68	8	40033153	48	11	40036479	84	2·3·29·30
40030951	68	9	40033181	54	11	40036481	12	34·35
40030951	78	11	40033190	46	34	40036524	86	36
40030951	88	72	40033191	46	28	40036525	86	37
40030956	36	6	40033316	74	49	40036526	86	35
40030983	72	14	40033831	78	34	40037500	36	32
40031011	74	61	40033831	82	1	40037501	36	33
40031136	16	16	40033875	78	35	40038255	64	1·2
40031336	6	28	40033875	82	3	40038553	10	8·10
40031449	76	12	40034259	74	50	40038555	10	12·14
40031449	78	1	40034262	74	58	40038558	28	17~20
40031452	76	13	40034922	30	37	40038561	48	1~4
40031465	78	33	40035024	72	33	40038562	48	5~7
40031471	72	2	40035324	86	61	40038563	54	5
40031502	72	20	40035324	88	61	40038564	54	12·13
40032483	24	6	40035606	90	8	40038565	50	36
40032505	56	43	40035607	90	9	40038566	56	41
40032505	78	40	40035608	90	10	40038567	62	45
40032506	78	38	40035609	90	11	40038568	12	34·35
40032507	78	41	40035610	90	12	40038663	76	17
40032508	46	33	40035692	88	56	40038663	78	15
40032508	78	43	40035693	88	66	40038832	22	59
40032509	80	44	40035694	88	57	40039532	10	9·11
40032510	80	47	40035866	86	41	40039534	10	13·15
40032511	2	45	40035867	86	38	40039537	28	17~20
40032511	80	50	40036110	6	34	40039538	28	8~11

NUMERICAL INDEX OF PARTS

PART NO	PAGE	REF NO.	PART NO	PAGE	REF NO.	PART NO	PAGE	REF NO.
40039539	28	12~15	B1405210000	18	60·61	B2417210000	42	36
40039540	48	1~4	B1408180000	20	32	B2417280000	42	38
40039541	62	46	B14115520A0	18	58	B2418280000	42	30
40039542	62	47	B1414555000	18	59	B2421210AA0	42	29
40039543	84	2·3·29·30	B1502210D00	28	5	B242328000A	42	41~44
40039545	12	36	B1515210D00	30	66	B242328000B	42	41~44
40039546	12	37	B1516210D00	28	16	B242328000C	42	41~44
40039547	12	38	B151902600G	50	46	B242328000D	42	41~44
40040256	42	8	B1520210D00A	28	8~11	B2424210000	44	46
40040560	92	70	B1525210D00	28	6	B242621000A	42	26~28
40042352	82	4	B1527581000A	30	64	B242621000B	42	26~28
40048528	78	9	B1531210D00	28	12~15	B242621000D	42	26~28
40048528	88	79	B1601210D0BA	90	1	B2502210D00A	48	8·9
40048529	78	10	B1601210D0CA	90	2	B2505210D00	50	52
40048529	88	78	B1601210D0E	90	3	B2507210D00	48	10
40051987	2	41	B1601210D0FA	90	4	B2508210DA0	48	12~14
40052937	16	40	B161121000A	22	48	B2508210DAB	48	12~14
40052937	78	16	B1626555000	58	20	B2509210D00	52	54
40055573	78	14	B1634210D00	22	53	B2512210D00A	52	33·58
40058422	88	55	B1636581A00	20	15~18	B2512210D0A	50	33·58
40061991	32	41·49·52	B1636581B00	20	15~18	B2513210D00A	56	37
40068829	22	58	B1636581C00	20	15~18	B2514210D00A	52	56
40068833	20	14	B1636581D00	20	15~18	B2520210D0A	48	15
40068834	20	28	B1641562000	24	41	B2520210D0B	48	17
40068835	20	7	B1642210D00	30	62	B2521210D00	48	19·20
40072009	32	4	B1806210D00	32	43	B2522210D00	48	21·22
40073085	42	23~25	B1806210D00	84	1	B2526210D00	54	35
40075878	28	12~15	B1816215P00	28	25	B2526210D00	56	35
40076294	88	84	B1816280000	90	38	B2527210000	50	24·25
40078577	28	8~11	B1817210DAD	90	5~7	B2530210D00	50	37
A1230500000A	18	48	B1820210D00	32	14	B2532210D00	52	55
A3906010000	74	52	B1821210D00	32	15	B2535210000	92	68
A39500100A0	74	51	B1822215P00	32	16	B2551210DA0A	58	18
B1111210D00	66	49	B1828210DAA	32	42	B2552210D00	58	11
B1115210D00	64	33	B1903552000	18	76	B2552210D00	60	4
B1116210D00	12	32	B1908505000	18	67	B2556210D0A	90	13
B1123210000	10	19	B2101220000	86	39	B2556210D0B	90	14
B1124210000	10	20	B2107210000	86	43	B2557210DA0	84	2·3·29·30
B1129210000	2	19	B2107210D00	36	2	B255728000C	58	39
B1131528000	84	21	B2107210D0B	88	85	B2560372000	90	25
B1132223C00	12	39	B2110210D00	36	41	B2567210D00	60	12
B1144210000	16	45	B2130210D00	36	11	B2572229000	90	20
B1181210D00	10	16	B24142800A0	42	34	B2579210D00A	58	8
B1212210D00	16	44	B24152800A0	42	32	B2581210D00	58	14
B1213210D00	16	46	B2416280000	42	31	B2582210D00	58	15

NUMERICAL INDEX OF PARTS

PART NO	PAGE	REF NO.	PART NO	PAGE	REF NO.	PART NO	PAGE	REF NO.
B2583210D00	58	13	B4314210000	86	8	D255121XX00	86	23
B2585210D00	90	28	B5038206000	90	54	D255221XX00	86	24
B2585210DA0	90	27	B5038206000	92	54	D2552D10D0D	60	44
B2585210DB0	90	26	B5039206000	90	55	D255421XX00	86	25
B2586210D00	90	52	B5039206000	92	55	D2557D10DAD	84	2·3·29·30
B2586210D00	92	52	B5115210000	90	67	D4012D10N0H	92	71
B2586210DA0	90	42	B5115210000	92	67	D7133555B00	8	54
B2586210DAA	92	51	B8101210AAB	64	3	D8001D15A0Y	82	5
B2586210DB0	90	41	B8105210AAA	64	7	D8002D15A0Y	82	6
B2587210000	90	22	B8150210000	64	29	D8113555B00	64	19
B2587210D00	90	29	B8153771000	64	18	D8204555D00	66	40
B2588210D00	90	53	B8202205000	66	44	E3051802000	30	63
B2588210D00	92	53	B8267180000	10	25	E9567319000	76	40
B2589210D00	90	19	B9101490000	84	24	E9607603000	76	39
B2590210DA0	60	8	B9113012000	84	9	EA9500B0100	8	57
B2591210DA0	60	9	B9121012000	66	45	EA9500B0100	14	70
B2592210000	84	14	B91212200A0	84	16	EA9500B0100	26	50
B2593210D00	90	24	B9140372000	84	10·25	EA9500B0100	32	44
B2593210DA0	90	23	B9141372000	84	10·25	EA9500B0100	56	47
B2594210D00	90	16	BME03200000	72	15	EA9500B0100	68	4
B2594210DA0	90	15	BT0400251EB	60	18	EA9500B0100	82	19
B2595210D00	90	37	BT0400251EB	82	22	EA9500B0100	86	82
B2595210DA0	90	36	BT0400251EB	86	64	EA9500B0100	88	82
B2596210D00	92	64	BT0400251EB	88	64	EA9500B0200	6	31·48
B2596210DA0	92	60	BT0400251EB	92	84	EA9500B0200	8	31·48
B2596210DAA	92	63	BT0600401EB	68	3	G2301309000	92	78
B2597210D00	90	66	BT0600401EB	88	71	G2302309000	92	77
B2597210D00	92	66	CM100100001	6	32	G5126172000	60	17
B2598210D00	90	17	CM300100401	72	17	GAF01007000	18	49
B2599210D00	90	18	CM300200003	6	2	GEP01013000	82	20
B2610210D00	58	19	CM300400601	72	16	GFU01001000	86	2
B2610210D00	60	10	CM301200001	6	1	GFU01002000	86	3
B2646215000	90	21	CM500100001	6	30	GFU01003000	86	4
B3114771000	92	72	CM600100101	6	33	GFU010030A0	86	1
B3120125000	92	82	CM600100201	84	26	GFU01004000	86	22
B3120372000	2	40	CQ200000000	32	24	GFU010040A0	86	21
B3121352000	92	81	CQ303000000	20	3	GFU01006000	86	6
B3126012000	8	53	CS079073ASH	20	33	GFU01007000	86	19
B3126012000	92	79	CS079073ASH	58	23	GPF060600A0	64	21
B3132552000	92	80	CS079073ASH	60	19	GPF06080000	64	20
B3538112000	8	43	CS0800881TP	24	29	GPK470010AB	78	36
B4004210D00	56	40	D1113D10D0D	12	41	GPK470010AB	82	2
B4007210D00	50	34	D1520D10D0D	28	8~11	HA004250000	72	19
B4303210000	86	7	D1531D10D0D	28	12~15	HA004250000	78	25
B4306220000	86	15	D2502D10D0D	48	8·9	HA006000000	36	19

NUMERICAL INDEX OF PARTS

PART NO	PAGE	REF NO.	PART NO	PAGE	REF NO.	PART NO	PAGE	REF NO.
HD00057000A	26	48	MC200501002	84	4~7	PJ304060001	88	69
HD00057000A	30	41	MC372001100	18	79~82	PJ308040002	82	27
HD00057000A	56	38	MC372001102	84	4~7	PJ309520001	84	17
HD00057000A	78	48	MDP170B1800	18	79~82	PJ309520001	88	80
HD00057000A	80	48	MDP170B1802	84	4~7	PS0150042K0	10	17
HD00204000A	46	35	MDP500B1400	18	79~82	PS0400082KP	92	65
HD00204000B	46	36	MDP500B1402	84	4~7	PS0400142KH	18	47
HD002230000	42	19	MTSHJ100003	72	26	PV010502000	82	12
HD002230000	80	45	NM3040520SC	76	26	PV150209000	88	60
HF00130315S	72	30~32	NM6040000SN	2	15	PV150209100	86	30
HF0013050P0	72	30~32	NM6040001SP	42	9	PV915005000	88	67
HF003000200	72	30~32	NM6040003SC	38	18	PX020002000	82	11
HK018800020	88	54	NM6040003SC	88	52	PX050003000	88	70
HK034610020	36	17	NM6050001SE	70	17	PX500014000	82	14
HK03464000B	36	18	NM6050001SP	30	39	PX500014000	88	62
HM000480010	76	24	NM6050001SP	42	12	RC0560711KP	6	21
HP000200200	88	53	NM6050001SP	50	39	RC0650811KP	20	25
HW200390000	36	20	NM6060001SC	66	48	RC3781518KP	20	20
HW500070000	36	21	NM6080001SC	66	41	RE0200000K0	46	7
HX00150000C	6	36	NM6080001SC	76	10	RE0250000K0	36	24
HX00150000D	6	39	NM6080002SC	72	24	RE0300000K0	32	17
HX00150000D	32	32	NM6080721SE	64	28	RE0300000K0	58	25
HX00150000F	6	40	NM6080721SE	68	2	RE0300000K0	60	22
HX00150000H	6	41	NM6080721SE	88	77	RE0400000K0	6	22
HX00150000K	6	42	NM6120003SE	64	30	RE0400000K0	86	9
HX00188000D	76	8	NM6160511SE	70	18	RE0500000K0	36	25
HX002330000	60	7	NM6160511SE	92	75	RE0500000K0	60	23
HX002330000	88	65	NS6090310SP	36	22	RE0600000K0	52	57
HX00314000A	82	18	NS6090310SP	92	73	RE0700000K0	24	35
HX003390000	14	75	NS6110310SP	8	56	RE0700000K0	58	26
HX003390000	76	21	NS6110310SP	36	23	RE0800000K0	16	25
HX00354000N	72	43	PA0600504A0	92	76	RE0900000K0	38	3
HX00354000S	72	44	PA1600801A0	86	5	SB104001600	18	69
HX004070000	76	29	PA1602006A0	60	20	SB108000500	24	26
HX00410000A	76	33	PB000010000	84	18	SB108000500	50	40
HX005110000	76	38	PB000010000	88	81	SB108000500	54	19
M300451100A	72	28	PC012401000	88	59	SB108002200	18	68
M3801476000	76	6	PC012405000	68	5	SB108002300	18	72
M4206461000	76	11	PF0205030A0	86	31	SB110002400	30	47
M90175800A0	72	18	PJ046052503	60	21	SB110002400	32	3
M90175800A0	78	29~32	PJ046052503	86	17	SB112001700	32	8
M90245800A0	78	29~32	PJ301040501	82	13	SB120000900	16	1
M90355800A0	78	29~32	PJ301040502	92	74	SB120001700	16	6
MA011532000	72	29	PJ301040505	86	32·83	SB120001800	16	4
MC200501000	18	79~82	PJ301040505	88	32·83	SB30700020A	16	29~32

NUMERICAL INDEX OF PARTS

PART NO	PAGE	REF NO.	PART NO	PAGE	REF NO.	PART NO	PAGE	REF NO.
SB30700020B	16	29~32	SL4031081SF	26	49	SM4050855SP	14	72
SB30700020C	16	29~32	SL4031081SF	76	15	SM4050855SP	36	38
SB30700020D	16	29~32	SL4031291SC	30	42	SM4051055SP	12	44·45
SB30800100A	32	33~36	SL4040681SC	14	59	SM4051405SE	70	12
SB30800100B	32	33~36	SL4040881SC	76	28	SM4051655SP	30	49
SB30800100C	32	33~36	SL4040891SC	8	50	SM4061255SP	2	13
SB30800100D	32	33~36	SL4040891SC	10	74	SM4061255SP	12	50
SB408000100	24	13	SL4040891SC	14	74	SM4061255SP	30	58
SB408000100	54	20	SL4040891SC	76	9	SM5040655SN	6	24
SB710000500	58	27	SL4041091SC	76	31	SM5040855SN	10	31
SB710000500	60	24	SL4041291SC	42	20	SM6020250TP	34	48
SB716000200	30	65	SL4041691SC	72	13	SM6020350SP	46	13
SD0350156TP	46	27	SL4043591SC	76	25	SM6020450TP	46	37
SD0400266TP	46	8	SL4051091SC	68	10	SM6020460TP	32	38
SD0460703TP	86	18	SL4051091SC	88	73	SM6030502TP	46	29
SD0640327TP	88	49	SL6040892TN	2	34	SM6030802TP	58	41
SD0650321TP	36	28	SL6040892TN	8	45	SM6030802TP	60	41
SD0700406TP	88	47	SL6041092TN	68	7	SM6040450TP	84	15
SD0800327TP	30	40	SL6052592TN	16	41	SM6040602TP	8	44
SD0800327TP	42	11	SL6083092TN	76	7	SM6040602TP	14	78
SD0800336TP	22	61	SL6084092TN	6	35	SM6040602TP	26	51
SD0800337TP	24	25	SL9061291SE	14	53	SM6040602TP	38	16
SD0800337TP	30	54	SL9082091SE	64	12	SM6040602TP	42	17
SD0800346TP	28	4	SL9082093SE	68	12	SM6040602TP	46	32
SD0800386TP	20	35	SL9082093SE	88	75	SM6040602TP	50	42
SD0800387TP	24	40	SM0040601SC	30	48	SM6040602TP	56	42
SD0800407TP	46	25	SM1030601SP	16	21	SM6040650TP	2	22
SD0800408TP	20	38	SM1040801SP	14	84	SM6040650TP	14	61
SD0800656TP	22	56	SM1040801SP	58	28	SM6040650TP	32	29
SD0800746TP	20	10	SM1040801SP	60	25	SM6040650TP	46	21
SD0801006TP	30	61	SM1040870TP	10	24	SM6040800SP	58	34
SD1000406TP	30	55	SM1040870TP	42	3	SM6040800SP	60	34
SD1000506TP	20	37	SM2360110TP	46	20	SM6040802TN	38	9
SD1002206TP	22	60	SM4020600SP	46	18	SM6040802TP	22	52
SK3311600SC	66	39	SM4021201SC	14	69	SM6040802TP	28	44
SK3311601SE	66	46	SM4030455SP	32	23	SM6040802TP	30	44
SK3382001SE	72	12	SM4030601SN	2	36	SM6040802TP	42	22
SK3412001SE	88	68	SM4030601SN	36	29	SM6040802TP	50	41
SK3413201SE	72	34	SM4040655SP	2	42	SM6040802TP	56	46
SK3512001SE	72	27	SM4040855SP	2	43	SM6040860TP	2	47
SL4030641SE	36	30	SM4040855SP	36	36	SM6040860TP	4	47
SL4030681SC	74	47	SM4040855SP	92	69	SM6040860TP	38	13
SL4030691SC	72	46	SM4041055SP	2	38	SM6040860TP	50	29
SL4031081SC	56	44	SM4041655SP	58	33	SM6040860TP	84	23
SL4031081SC	72	10	SM4041655SP	60	32	SM6041002TP	14	54

NUMERICAL INDEX OF PARTS

PART NO	PAGE	REF NO.	PART NO	PAGE	REF NO.	PART NO	PAGE	REF NO.
SM6041002TP	50	27	SM8040412TP	36	27	SS6110430TP	42	40
SM6041002TP	60	26	SM8040412TP	50	45	SS6111210SP	82	7~10
SM6041150TP	6	27	SM8040602TP	50	28	SS6120940SP	86	12
SM6041200SP	54	32	SM8040802TP	6	26	SS7060610SP	86	11
SM6041200SP	56	32	SM8050412TP	24	30	SS7090410SP	42	33
SM6041202TP	24	21	SM8050412TP	30	69	SS7110740TP	42	39
SM6041202TP	46	31	SM8050412TP	58	32	SS7110840SP	86	27
SM6041202TP	50	49	SM8050502TP	6	25	SS7110840SP	90	57
SM6041202TP	58	29	SM8050592TP	30	46	SS7110840SP	92	57
SM6041202TP	60	27	SM8050592TP	42	2	SS7111120TP	82	28~30
SM6041402TP	50	51	SM8050612TP	24	43	SS7111810TP	20	42
SM6042000SP	56	33	SM8050612TP	54	26	SS8110410TP	20	34
SM6050802TP	24	45	SM8050812TP	60	31	ST9053511SR	66	50
SM6051002TP	12	44-45	SM8050812TP	88	46	TA0550604R0	22	57
SM6051002TP	28	21	SM8060602TP	54	36	TA0550604R0	72	40
SM6051002TP	60	28	SM8060602TP	56	36	TA0670604R0	16	19
SM6051802TP	54	17	SM8060610TP	34	46	TA0750404R0	20	21
SM6052502TP	50	43-44	SM8060612TP	14	82	TA0850604R0	2	23
SM6053502TP	50	43-44	SM8060612TP	20	12	TA1050504R0	2	24
SM6060550TP	16	27	SM8060612TP	24	34	TA1250406R0	2	25
SM6061002TP	58	30	SM8060612TP	30	67	TA2050406R0	2	26
SM6061002TP	60	29	SM8060612TP	32	10	TA2351004R0	2	27
SM6061202TP	10	2	SM8060802TP	24	19	WP0250516SD	86	14
SM6061202TP	28	28	SM8060812TP	16	43	WP0320500SC	46	6
SM6061202TP	54	28	SM8060812TP	24	18	WP0320501SC	36	31
SM6061402TN	58	31	SM8060812TP	28	60	WP0370316SD	74	48
SM6061402TN	60	30	SM8060812TP	30	60	WP0371016SD	88	50
SM6061402TP	20	24	SM8060812TP	32	11	WP0371026SD	86	28
SM6061602TP	30	70	SM8060812TP	42	14	WP0430800SC	22	54
SM6061610SC	70	6	SM8060812TP	54	25	WP0430800SD	12	49
SM6061802TP	24	22	SM8061050TP	34	50	WP0430801SC	38	10
SM6061802TP	28	24	SM8061612TP	18	78	WP0430801SC	54	8
SM6066002TN	64	34	SM8061612TP	40	47	WP0450000SD	60	35
SM6081562TP	54	22	SM8480652TP	16	35	WP0450801SD	2	44
SM6084002TN	72	25	SM8480652TP	24	10	WP0450801SD	36	39
SM6086002TP	66	42	SM9061050TP	54	27	WP0450801SD	82	28~30
SM6450610TP	12	51	SM9061203SE	64	22	WP0450801SP	12	55
SM6450610TP	58	35	SM9082023SE	64	25	WP0450801SP	14	55
SM6450610TP	60	33	SM9086523SE	64	31	WP0450801SP	42	18
SM67506C0TP	88	45	SS1060210TP	42	35	WP0450801SP	46	2
SM7030450SC	14	80	SS1090750SP	86	13	WP0450801SP	50	50
SM7751160TP	22	51	SS1110640TP	20	30	WP0450826SC	6	23
SM8030412TP	18	63	SS5090610SP	86	26	WP0450846SP	26	52
SM8030412TP	38	7	SS6081210SP	86	10	WP0450846SP	42	37
SM8040310SS	18	53	SS6090910SP	20	41	WP0450846SP	50	32

NUMERICAL INDEX OF PARTS

PART NO	PAGE	REF NO.
WP0450846SP	54	34
WP0450846SP	56	34
WP0480856SP	58	36
WP0480856SP	60	36
WP0480856SP	86	29
WP0480856SP	90	58
WP0480856SP	92	58
WP0502616SD	86	20
WP0520656SA	24	38
WP0520656SA	50	53
WP0522016SH	24	39
WP0531001SC	36	40
WP0550800SP	54	18
WP0553216SD	82	7~10
WP0561616SC	88	51
WP0611626SP	20	9
WP0611626SP	28	29
WP0651001SC	10	3
WP0651001SC	30	50
WP0651001SC	58	38
WP0651001SC	60	38
WP0651646SC	66	47
WP0671016SE	64	23
WP0820516SP	16	15
WP0820526SD	54	30
WP0841601SC	72	22
WP0841601SC	76	42
WP0850002SP	24	14
WP0851846SC	66	43
WP0852086SC	72	21
WP0871602SE	64	26
WP0871602SE	68	1
WP0871602SE	88	76
WP1221016SP	20	27
WP1702600S0	70	19
WS0410002KP	58	40
WS0410002KP	60	40
WS0451040KP	82	28~30
WS0510002KN	70	16
WS0621210KR	64	24
WS0820002KR	72	23
WS0861410KR	64	27
WZ0430200KH	90	59
WZ0430200KH	92	59
WZ0850302K0	24	28