

MODEL : PLC-1710-7/PLC-1760-7

List No : 1453-06

# PARTS LIST

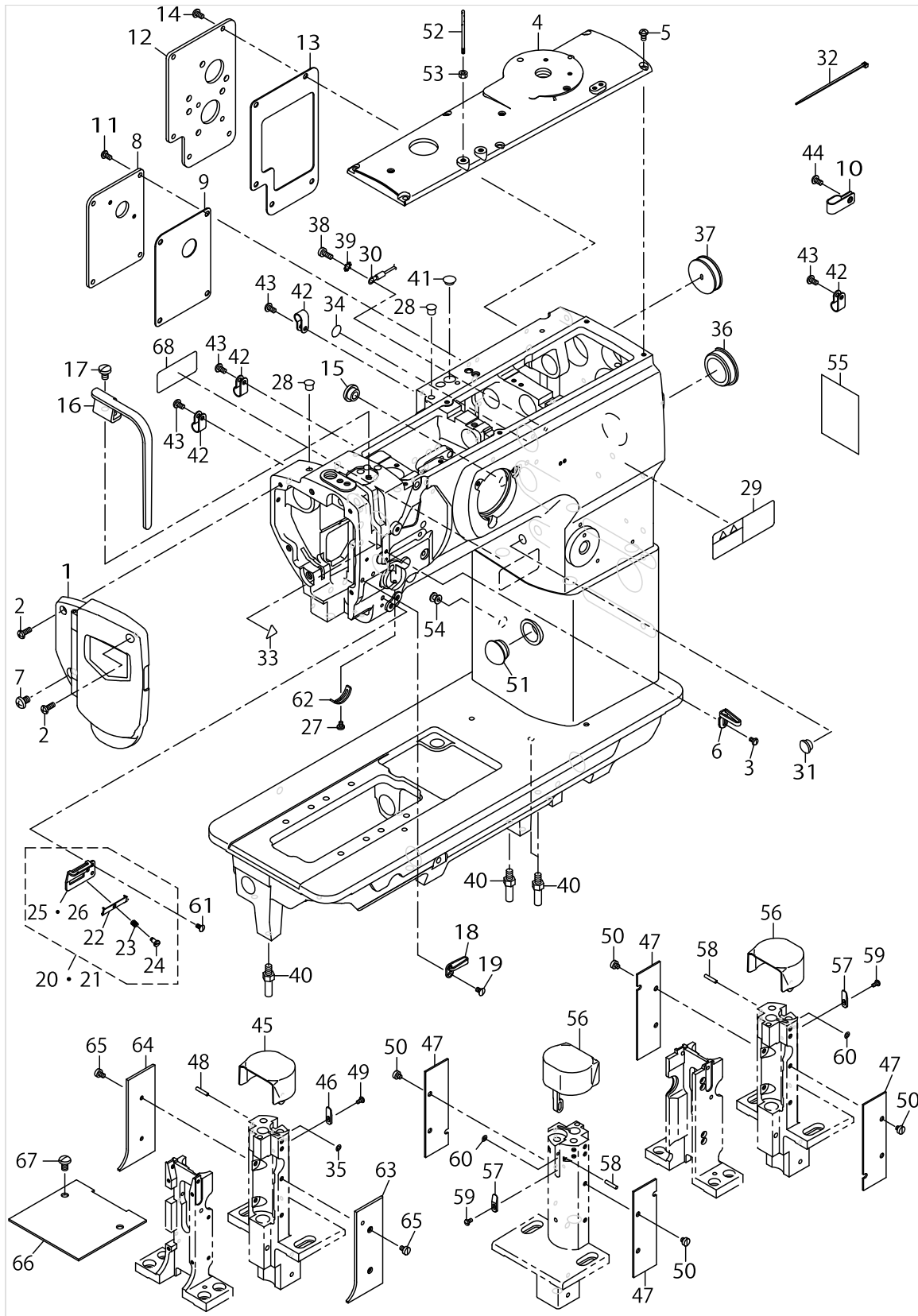
Published:05/12/2017

## CONTENTS

---

FRAME & MISCELLANEOUS COVER COMPONENTS .....	1
UPPER SHAFT,LOWER SHAFT DRIVING & BALANCE COMPONENTS .....	5
NEEDLE BAR ROCKING COMPONENTS .....	9
PRESSURE ADJUSTING & UPPER FEED MECHANISM COMPONENTS (1) .....	11
PRESSURE ADJUSTING & UPPER FEED MECHANISM COMPONENTS (2) .....	15
FEED MECHANISM COMPONENTS (FOR PLC-1710-7) .....	19
FEED MECHANISM COMPONENTS (FOR PLC-1760-7) .....	25
HOOK SHAFT & LOWER SHAFT COMPONENTS (FOR PLC-1710-7) .....	31
HOOK SHAFT & LOWER SHAFT COMPONENTS (FOR PLC-1760-7) .....	33
THREAD CUTTING COMPONENTS (FOR PLC-1710-7) .....	35
THREAD CUTTING COMPONENTS (FOR PLC-1760-7) .....	39
AUTOMATIC BACK & CONDENSATION DEVICE COMPONENTS .....	43
DL MECHANISM COMPONENTS .....	45
THREAD TENSION COMPONENTS (FOR PLC-1710-7) .....	47
THREAD TENSION COMPONENTS (FOR PLC-1760-7) .....	49
THREAD RELEASE COMPONENTS .....	51
LOWER THREAD WINDER MECHANISM COMPONENTS .....	53
AUTOMATIC PRESSER LIFTING MECHANISM COMPONENTS .....	55
AIR MECHANISM COMPONENTS .....	57
LUBRICATION COMPONENTS (FOR ARM) .....	59
LUBRICATION COMPONENTS (FOR HOOK SHAFT BASE) .....	61
GAUGE COMPONENTS (STANDARD PARTS) (FOR PLC-1710-7) .....	63
GAUGE COMPONENTS (STANDARD PARTS) (FOR PLC-1760-7) .....	65
HOOK COMPONENTS .....	67
THREAD STAND COMPONENTS .....	69
BELT COVER & OIL RESERVOIR COMPONENTS .....	71
ADDITIONAL SPRING FOR PRESSER BAR COMPONENTS (OPTIONAL PARTS) .....	73
SUSPENSION SQUARE COMPONENTS (OPTIONAL PARTS) .....	75
ACCESSORIES PARTS COMPONENTS .....	77
TABLE OF EXCHANGING GAUGE PARTS (FOR PLC-1760-7) .....	79
LIST FOR INFORMATION OF CHANGE .....	81
HOW TO MAKE USE OF THIS PARTS LIST .....	82

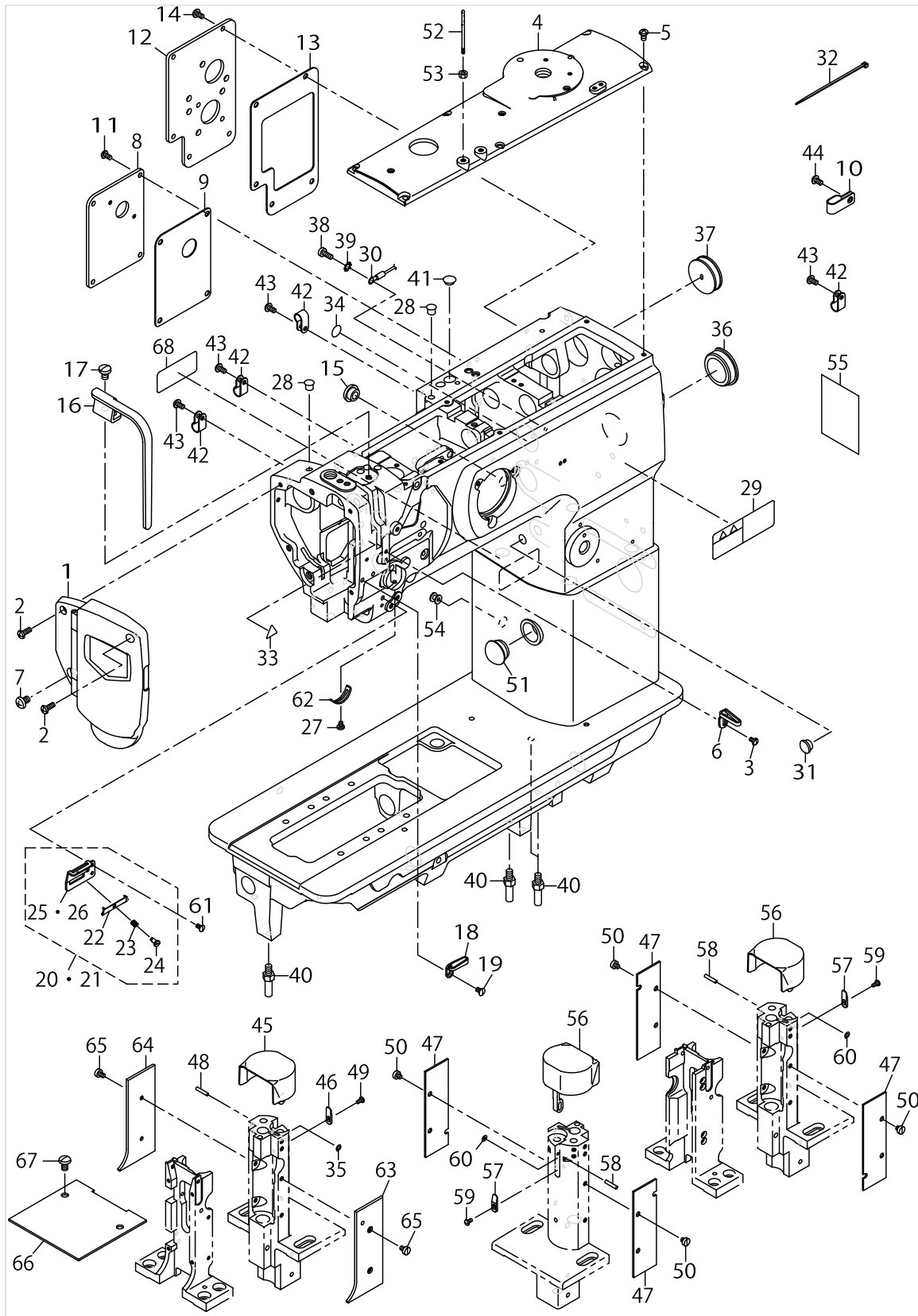
FRAME & MISCELLANEOUS COVER COMPONENTS



FRAME & MISCELLANEOUS COVER COMPONENTS

No.	Supply Code	Parts No.	Replacement	Parts name	Remarks	Choice	Step	Level	Cons	Qty	Rep. QTY
1		40016798		FACE COVER ASM.						1	
2		SS4111215SP		SCREW11/64-40L=12						2	
3		SS5090610SP		SCREW 9/64-40 L=6						1	
4		21331301		TOP COVER B						1	
5		SS4110815SP		SCREW 11/64-40 L=8						6	
6		40108674		THREAD GUIDE						1	
7		SS4150915SP		SCREW 15/64-28 L=9						1	
8		21437207		WINDOW PLATE F						1	
9		21437306		WINDOW PLATE E PACKING						1	
10		D2112555B00		CORD HOLDER LARGE						2	
11		SS4110815SP		SCREW 11/64-40 L=8						4	
12		21392907		WINDOW PLATE G						1	
13		21332002		WINDOW PLATE PACKING B						1	
14		SS4110815SP		SCREW 11/64-40 L=8						5	
15		TA1250504R0		RUBBER PLUG						1	
16		21331608		BALANCE COVER						1	
17		SS7150910TP		SCREW 15/64-28 L=9						1	
18		10101400		THREAD GUIDE C						1	
19		SS2090710TP		SCREW 9/64-40 L=7.2						1	
20		21408554		THREAD GUIDE ASM.	FOR PLC-1760-7					1	
21		40039838		THREAD GUIDE ASM.	FOR PLC-1710-7					1	
22		17912106		NEEDLE THREAD PRESSER PLATE				*		1	
23		B1132521000		THREAD PRESSER PLATE SPRING				*		1	
24		SD0380551SL		HINGE SCREW D=3.80 H=5.5				*		1	
25	R	21408505	21408554	THREAD GUIDE PLATE	FOR PLC-1760-7			*		1	1.00
26		40039839		THREAD GUIDE PLATE	FOR PLC-1710-7			*		1	
27		SS7090520TP		SCREW 9/64-40 L=4.5						1	
28		TA0750704R0		RUBBER PLUG						2	
29		CM301300001		SAFETY LABEL						1	
30		22951552		GROUND WIRE ASM.						1	
31		TA1050504R0		RUBBER PLUG						1	
32		EA9500B0100		CABLE BAND						3	
33		CM300200001		ATTENTION SEAL 16						1	
34		22901805		GROUND MARK						1	
35		WZ0320290UZ		WASHER3.2X6.5X0.15	FOR PLC-1710-7					1	
36		22619100		CAP						1	
37		10201200		RUBBER PLUG						1	
38		SS6111140SP		SCREW11/64-40L=11						1	
39		WT0530002KS		TOOTHED WASHER D=5.3						1	
40		22602601		BED SCREW STUD						4	
41		TA1250504R0		RUBBER PLUG						1	
42		HX00123000A		CABLE CLIP						4	
43		SS4110815SP		SCREW 11/64-40 L=8						2	
44		SS6111140SP		SCREW11/64-40L=11						2	
45		40038688		HOOK COVER ASM.	FOR PLC-1710-7					1	
46		40017269		SLIDE PLATE	FOR PLC-1710-7					1	

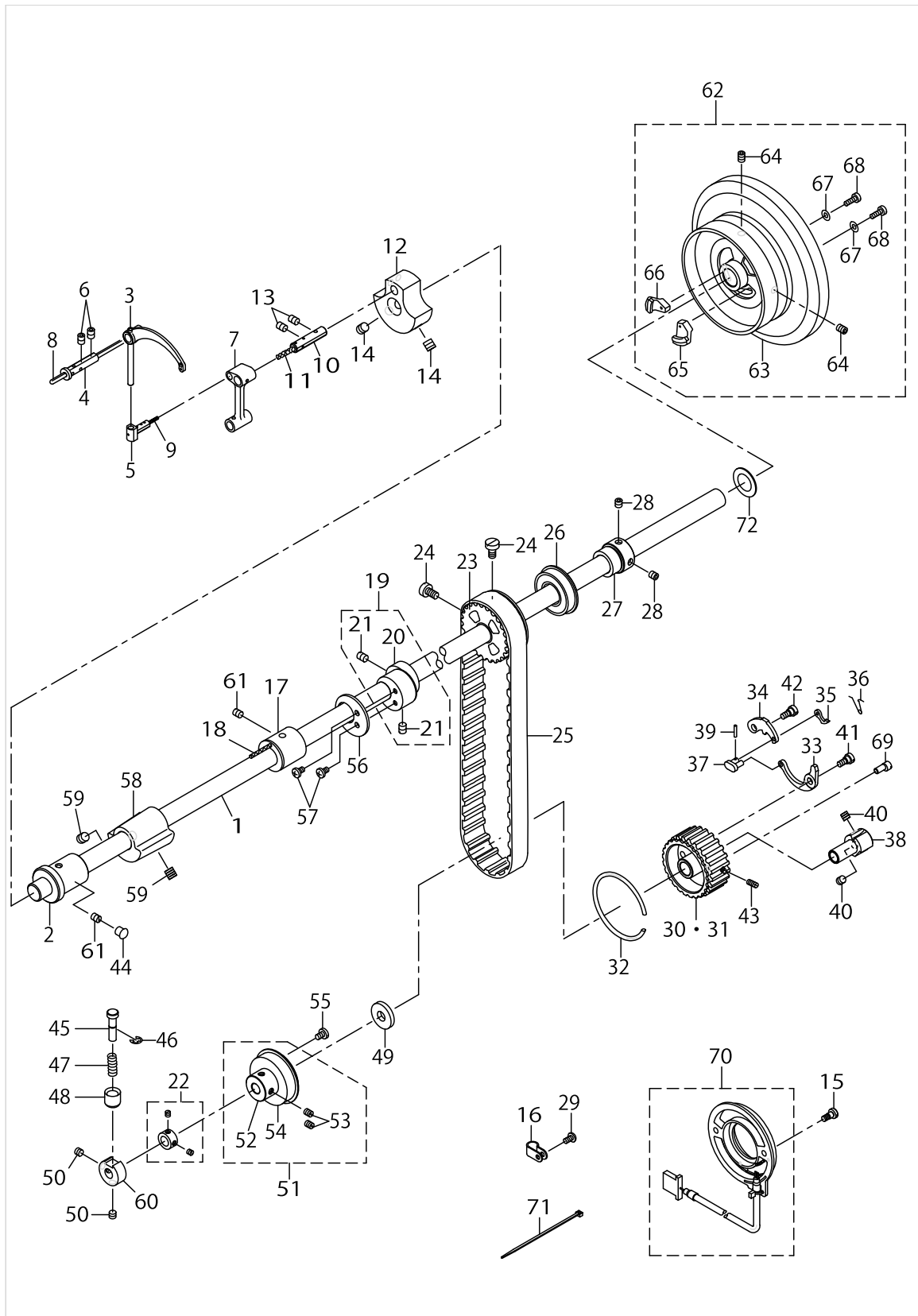
FRAME & MISCELLANEOUS COVER COMPONENTS



FRAME & MISCELLANEOUS COVER COMPONENTS

No.	Supply Code	Parts No.	Replacement	Parts name	Remarks	Choice	Step	Level	Cons	Qty	Rep. QTY
47		40017316		HOOK SHAFT SADDLE COVER	FOR PLC-1760-7					4	
48		40038691		HOOK COVER HINGE SHAFT	FOR PLC-1710-7					1	
49		SS4080620TP		SCREW 1/8-44 L=6	FOR PLC-1710-7					1	
50		SS6110480SP		SCREW 11/64-40 L=4.3	FOR PLC-1760-7					8	
51		TA2100904R0		RUBBER PLUG						1	
52		40052262		THREAD GUIDE PIN						1	
53		NS6620310SP		NUT 3/16-32						1	
54		D2414141E00		LORD BUSHING						1	
55		40019114		LUBRICATION SUPPLEMENT						1	
56		40038688		HOOK COVER ASM.	FOR PLC-1760-7					2	
57		40017269		SLIDE PLATE	FOR PLC-1760-7					2	
58		40038691		HOOK COVER HINGE SHAFT	FOR PLC-1760-7					2	
59		SS4080620TP		SCREW 1/8-44 L=6	FOR PLC-1760-7					2	
60		WZ0320290UZ		WASHER 3.2X6.5X0.15	FOR PLC-1760-7					2	
61		SS2090710TP		SCREW 9/64-40 L=7.2						1	
62		B3138512000		TAKE-UP SPRING A-DJUSTING PLATE						1	
63		40017264		FEED LEVER BASE COVER A	FOR PLC-1710-7					1	
64		40017265		FEED LEVER BASE COVER B	FOR PLC-1710-7					1	
65	R	SS6090620SP	SS6090620TP	SCREW 9/64-40 L=6	FOR PLC-1710-7					4	1.00
66		40039831		BED COVER	FOR PLC-1710-7					1	
67		SM4061001SB		SCREW M6 L=10	FOR PLC-1710-7					2	
68	D	40094561		SEWING MACHINE LABEL (EU)	FOR EU					1	

UPPER SHAFT, LOWER SHAFT DRIVING & BALANCE COMPONENTS

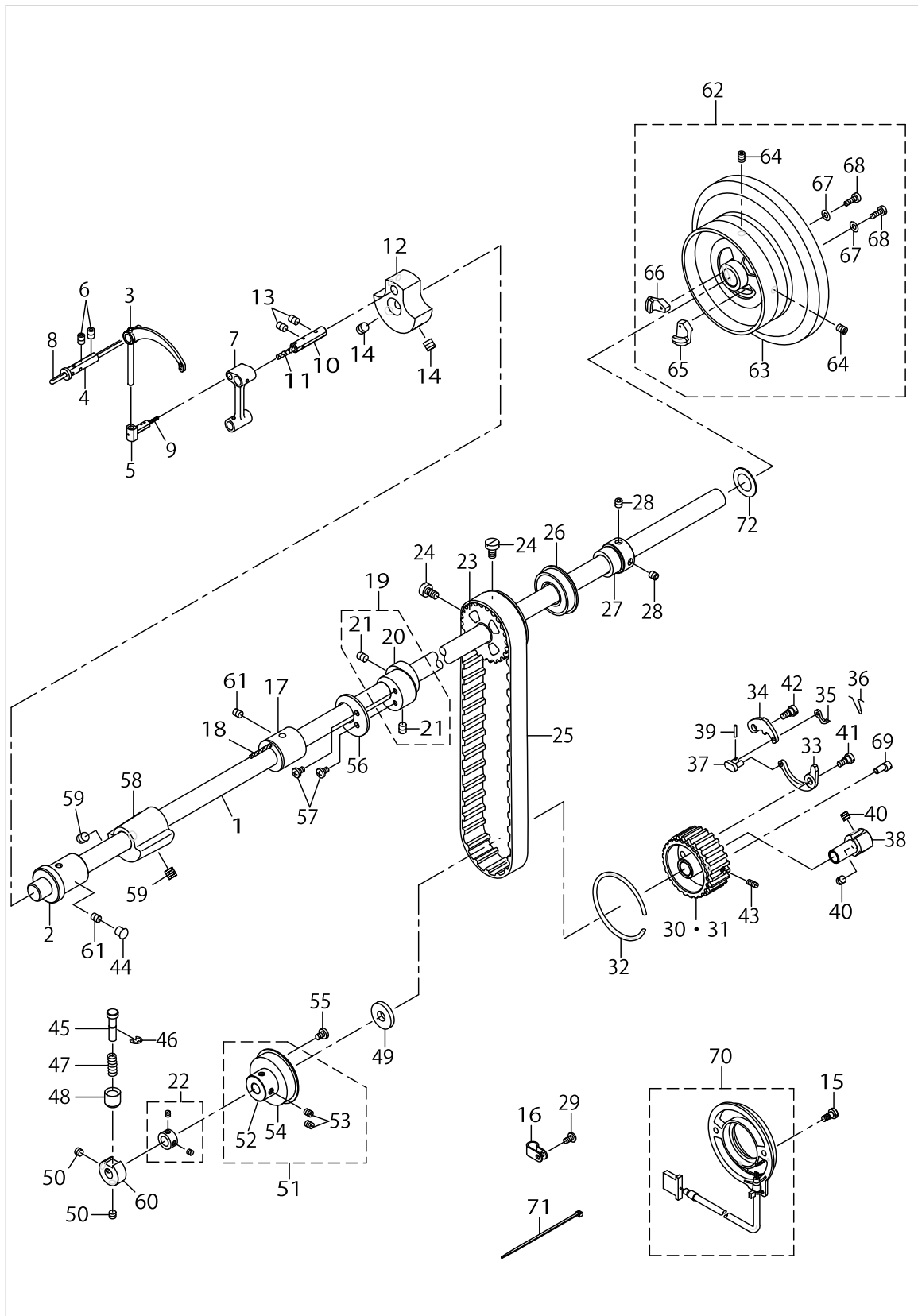


UPPER SHAFT,LOWER SHAFT DRIVING & BALANCE COMPONENTS

No.	Supply Code	Parts No.	Replacement	Parts name	Remarks	Choice	Step	Level	Cons	Qty	Rep. QTY
1		21332705		UPPER SHAFT						1	
2		21333000		UPPER SHAFT FRONT METAL						1	
3		23001001		THREAD TAKE-UP LEVER						1	
4		B1906051000		TAKE-UP LEVER PIN						1	
5		21333307		BALANCE SLIDE SHAFT						1	
6		SS8150822TP		SCREW 15/64-28 L=8						2	
7		40038704		NEEDLE BAR CRANK ROD						1	
8		CQ303000000		OIL WICK						.2	
9		CQ202000000		OIL WICK						.03	
10		B1210051000		NEEDLE BAR CRANK PIN						1	
11		CQ505000000		OIL WICK						.03	
12		21332507		COUNTER WEIGHT (A) (36MM)						1	
13		SS8150822TP		SCREW 15/64-28 L=8						2	
14		SM8080812TP		SCREW M8X8						2	
15		10604809		SCREW						2	
16		HX00123000A		CABLE CLIP						1	
17		21333109		UPPER SHAFT INNER METAL						1	
18		CQ202000000		OIL WICK						.2	
19		21336557		ECCENTRIC CAM A ASM.						1	
20	R	21336508	21336557	ECCENTRIC CAM A				*		1	1.00
21		SS8660810TP		SCREW 1/4-40 L=8				*		2	
22		CS0950810SH		THRUST COLLAR ASM. D=9.5 W=8						1	
23		40038692		UPPER SPROCKET						1	
24		SS6661110SP		SCREW 1/4-40 L=11						2	
25		40038694		TIMING BELT (960)						1	
26		B1203512000		BUSHING REAR						1	
27		21402300		UPPER SHAFT BEARING HOOK						1	
28		SM8060602TP		SCREW M6X6						2	
29		SS4110815SP		SCREW 11/64-40 L=8						1	
30		40038703		LOWER SPROCKET	SELECTIVE PARTS					1	
31		21387501		LOWER SPROCKET	SELECTIVE PARTS					1	
32		B1214019000		SPROCKET RING						1	
33		21387709		SAFETY CLUTCH SPRING						1	
34		21387600		SAFETY CLUTCH HOOK						1	
35		B1308055000		SAFETY CLUTCH COUNTER-HOOK						1	
36		40113224		COUNTER HOOK SPRING						1	
37		B1310055000		SAFETY CLUTCH SMALL LINK						1	
38		21387808		SAFETY BASE						1	
39		B1314055000		SAFETY CLUTCH SMALL LINK PIN						1	
40		SS8660612TP		SCREW 1/4-40 L=6						2	
41		SD0640322TP		HINGE SCREW D=6.35 H=3.2						1	
42		SD0640322TP		HINGE SCREW D=6.35 H=3.2						1	
43		SS8111010TP		SCREW 11/64-40 L=9.5						1	
44		TA0750704R0		RUBBER PLUG						1	
45		40104367		SAFETY CLUTCH PUSH BUTTON						1	
46		RE0500000K0		E-RING						1	



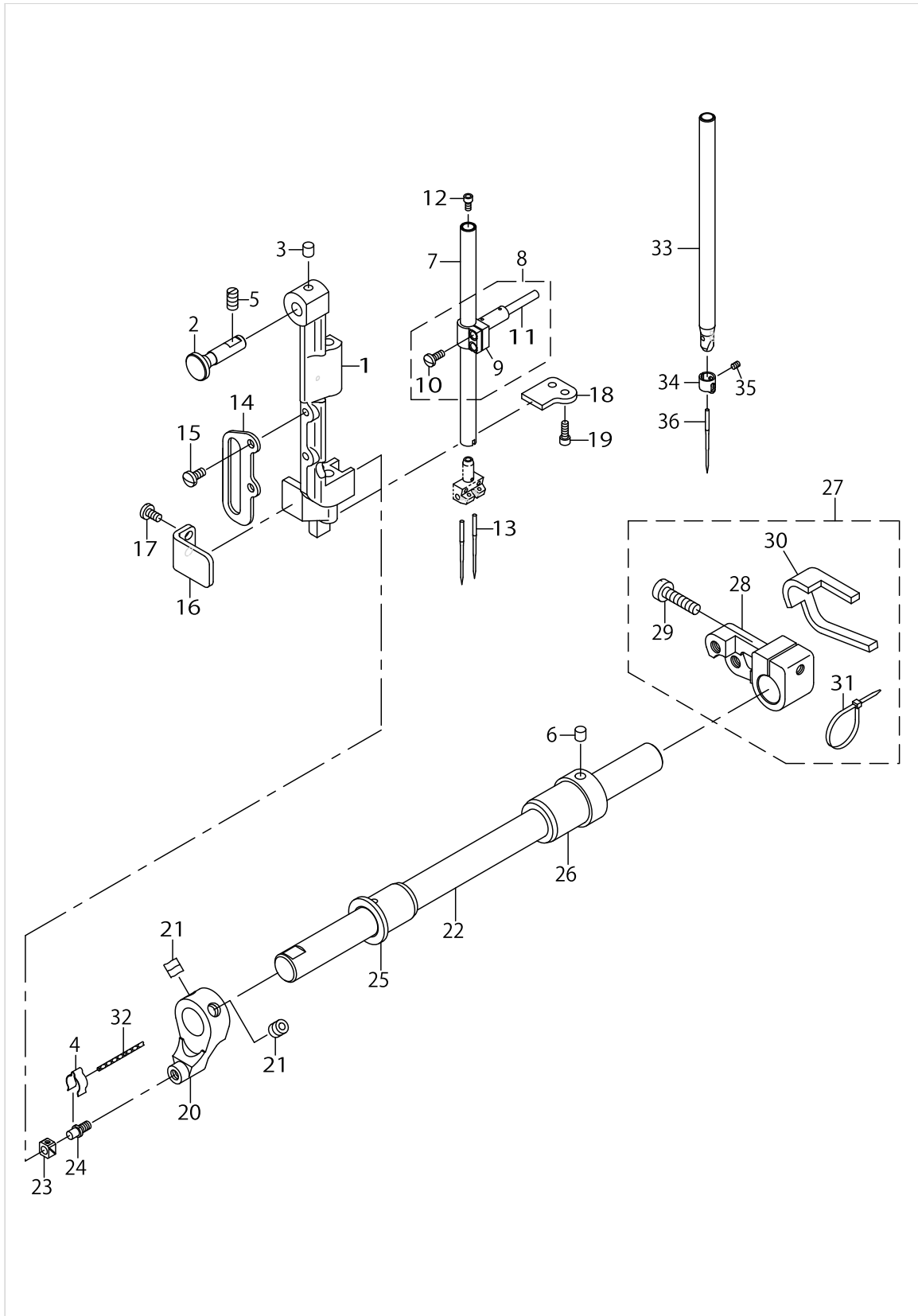
UPPER SHAFT, LOWER SHAFT DRIVING & BALANCE COMPONENTS



UPPER SHAFT,LOWER SHAFT DRIVING & BALANCE COMPONENTS

No.	Supply Code	Parts No.	Replacement	Parts name	Remarks	Choice	Step	Level	Cons	Qty	Rep. QTY
47		B1639051000		SPRING						1	
48		B1313055000		SAFETY CLUTCH KNOB SLEEVE						1	
49		40016148		THRUST COLLAR B WASHER						1	
50		SS8660530TP		SCREW 1/4-40 L=4.5						2	
51		40038700		THRUST COLLAR ASM.						1	
52	R	40038702	40038700	THRUST COLLAR				*		1	1.00
53		SS8661030SP		SCREW 1/4-40 L=10				*		2	
54		SB120000200		BEARING 20X42				*		1	
55		SS7120760SP		SCREW 3/16-28 L=7.0						2	
56		21353008		HORIZONTAL FEED CAM COVER						1	
57		SS7110710SP		SCREW 11/64-40 L=7						2	
58		40038830		BALANCER						1	
59		SM8061212TP		SCREW M6X12						2	
60		21333901		SAFETY CLUTCH DISC						1	
61		SS8150710TP		SCREW 15/64-28 L=7						2	
62		21427059		FLYWHEEL ASM.						1	
63	R	21427000	21427059	FLYWHEEL				*		1	1.00
64		SS8150822TP		SCREW 15/64-28 L=8				*		2	
65		M40071100AA		MAGNET FITTING BASE A ASM.				*		1	
66		M40071100AB		MAGNET FITTING BASE B ASM.				*		1	
67		WP0450801SD		WASHER 4.5X10X0.8				*		2	
68		SS6111210SP		SCREW 11/64-40 L=12				*		2	
69		21387907		ADJUSTING PIN (1.2)						1	
70		40024855		CONTAIN SYNCHRO ASM.						1	
71		EA9500B0100		CABLE BAND						1	
72		22606206		SPACER Y						1	

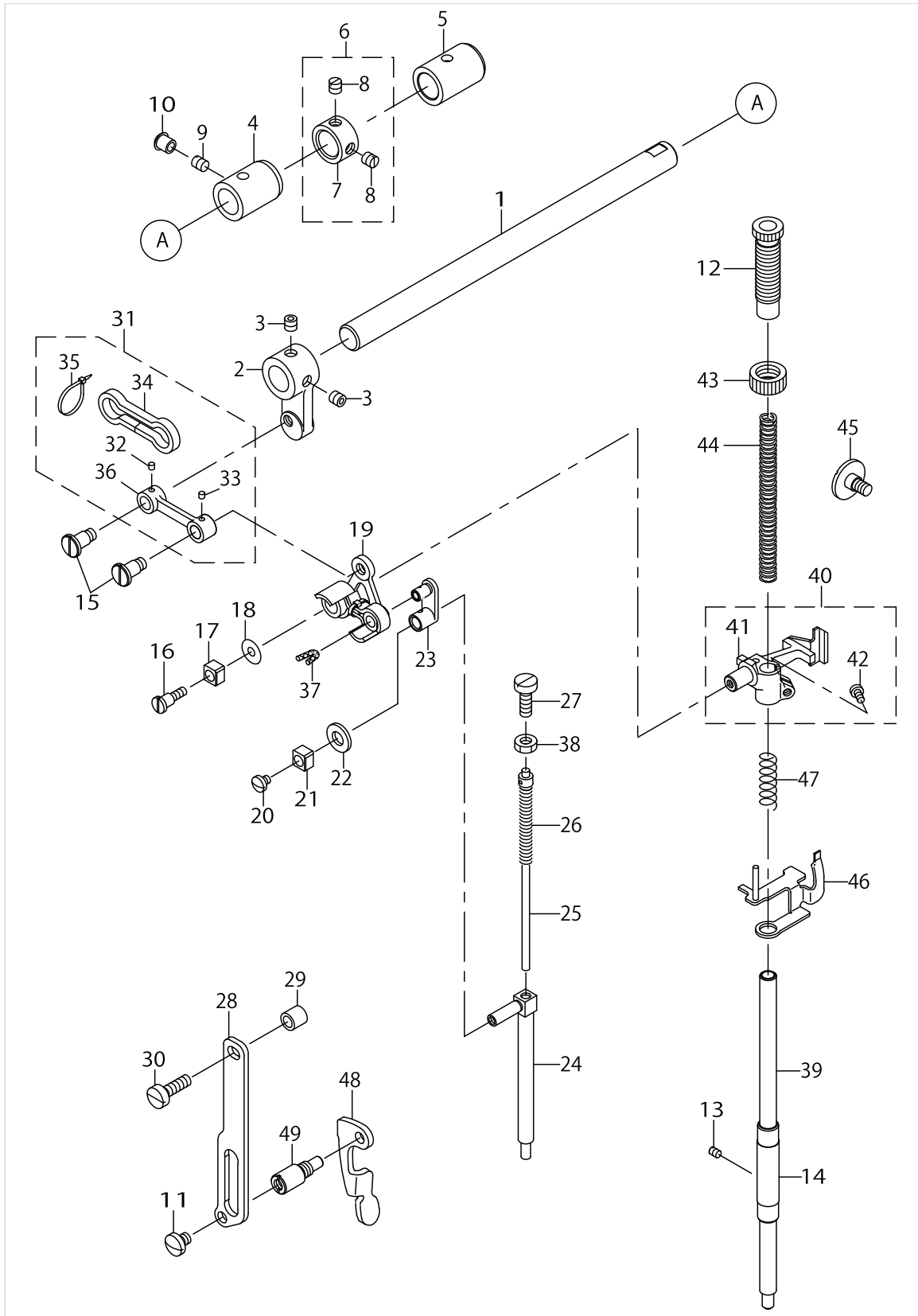
# NEEDLE BAR ROCKING COMPONENTS



NEEDLE BAR ROCKING COMPONENTS

No.	Supply Code	Parts No.	Replacement	Parts name	Remarks	Choice	Step	Level	Cons	Qty	Rep. QTY
1		23002009		NEEDLE BAR FRAME						1	
2		21405204		HINGE STUD						1	
3		22814909		FELT						1	
4		B1437051000		OIL WICK RETAINER						1	
5		SS8151150TP		SCREW 15/64-28 L=10.5						1	
6		22814909		FELT						1	
7		21451406		NEEDLE BAR	FOR PLC-1760-7					1	
8		B14110570A0		NEEDLE BAR CLAMP ASM.						1	
9	R	B1411057000	B14110570A0	NEEDLE BAR CONNECTION					*	1	1.00
10	R	SS7090910SP	SS7090910TP	SCREW 9/64-40 L=8.5					*	2	1.00
11		B1412051000		FELT					*	1	
12		SM6030602TP		SCREW M3X0.5 L=6	FOR PLC-1760-7					1	
13		MC321001400		NEEDLE 134-35 #140	FOR PLC-1760-7				☆	2	
14		21438007		UPPER FEED BAR GUIDE						1	
15		SS7110910TP		SCREW 11/64-40 L=8.5						2	
16		21388400		ROCKING BASE GUIDE						1	
17		SS7110830SP		SCREW 11/64-40 L=7.5						2	
18		21338603		ROCKING BASE GUIDE (B)						1	
19		SS6091022TP		SCREW						2	
20		21338801		ROCKINGFRONTARM						1	
21		SM8080802TP		SCREW						2	
22		21338900		ROCKING SHAFT						1	
23		B1414232000		SQUARE BLOCK						1	
24		B1410771000		STUD						1	
25		21339304		ROCKING SHAFT FRONT METAL						1	
26		40027746		BUSHING REAR						1	
27		40039270		ROCKING REAR ARM ASM.						1	
28		40039269		ROCKING REAR ARM					*	1	
29		SS6152440SP		SCREW 15/64-28 L=23.5					*	1	
30		23062102		ROCKING REAR ARM FELT					*	1	
31		EA9500B0100		CABLE BAND					*	2	
32		CQ202000000		OIL WICK						.05	
33		B1401246000		NEEDLE BAR	FOR PLC-1710-7					1	
34		40039836		NEEDLE BAR THREAD RACK	FOR PLC-1710-7					1	
35		SS8080410TP		SCREW 1/8-44 L=3.5	FOR PLC-1710-7				☆	1	
36		MC321001400		NEEDLE 134-35 #140	FOR PLC-1710-7				☆	1	

PRESSURE ADJUSTING & UPPER FEED MECHANISM COMPONENTS (1)



PRESSURE ADJUSTING & UPPER FEED MECHANISM COMPONENTS (1)

No.	Supply Code	Parts No.	Replacement	Parts name	Remarks	Choice	Step	Level	Cons	Qty	Rep. QTY
1		21340401		UPPER FEED SHAFT						1	
2		21340500		UPPER FEED FRONT ARM						1	
3		SS8660612TP		SCREW 1/4-40 L=6						2	
4		40039326		FRONT METAL						1	
5		21378302		FEED SHAFT METAL						1	
6		22904155		MAIN SHAFT THRU-ST COLLAR ASM.						1	
7	R	22904106	22904155	MAIN SHAFT THRUST COLLAR				*		1	1.00
8		SS8660610TP		SCREW 1/4-40 L=6				*		2	
9	R	SS8150710SP	SS8150710TP	SCREW 15/64-28 L=7						1	1.00
10		TA0750704R0		RUBBER PLUG						1	
11		SS7150740SP		SCREW 15/64-28 L=7						1	
12		21340906		PRESSER ADJUSTING SCREW						1	
13		SS8110520TP		SCREW 11/64-40 L=4.5						1	
14		22907109		PRESSER BAR BUSHING LOWER						1	
15		40018340		SCREW						2	
16		40018339		SCREW						1	
17		B1414555000		SLIDE BLOCK						1	
18		WP0501046SC		WASHER 5X14X1						1	
19		40033029		TRIANGULAR LEVER ASM.						1	
20		SS7110510SP		SCREW 11/64-40 L=5						1	
21		B1414555000		SLIDE BLOCK						1	
22		10509701		FELT						1	
23		40018341		WALKING BAR DRIVING LINK						1	
24		40033033		WALKING BAR B						1	
25		B14670530A0		WALKING BAR ASM.						1	
26		B1468053000		WALKING BAR SPRING						1	
27		SS6151780SP		SCREW 15/64-28 L=17.0						1	
28		21406509		UPPER FEED GUIDE PLATE						1	
29		26225201		ROLLER						1	
30		SS6151920SP		SCREW 15/64-28 L=19.0						1	
31		40033027		UPPER FEED LINK ASM.						1	
32		CQ3000000F0		OIL FELT				*		0.-003	
33		CQ3000000F0		OIL FELT				*		0.-003	
34		21347109		FELT				*		1	
35		EA9500B0000		CLIP CV-70S				*		2	
36	R	21339908	40033026	UPPER FEED LINK				*		1	1.00
37		CQ252000000		OIL WICK						.02	
38		NS6150430SP		NUT 15/64-28						1	
39		21451505		PRESSER BAR						1	
40		40039265		PRESSURE BAR HOLDER ASM.						1	
41		40039266		PRESSURE BAR HOLDER C				*		1	
42		SS7110910TP		SCREW 11/64-40 L= 8.5				*		1	
43	R	22907604	22907554	PRESSER SPRING REGULATOR NUT						1	1.00
44		B1502246000		PRESSER SPRING						1	
45		40038705		PRESSURE BAR HOLDER GUIDE						1	

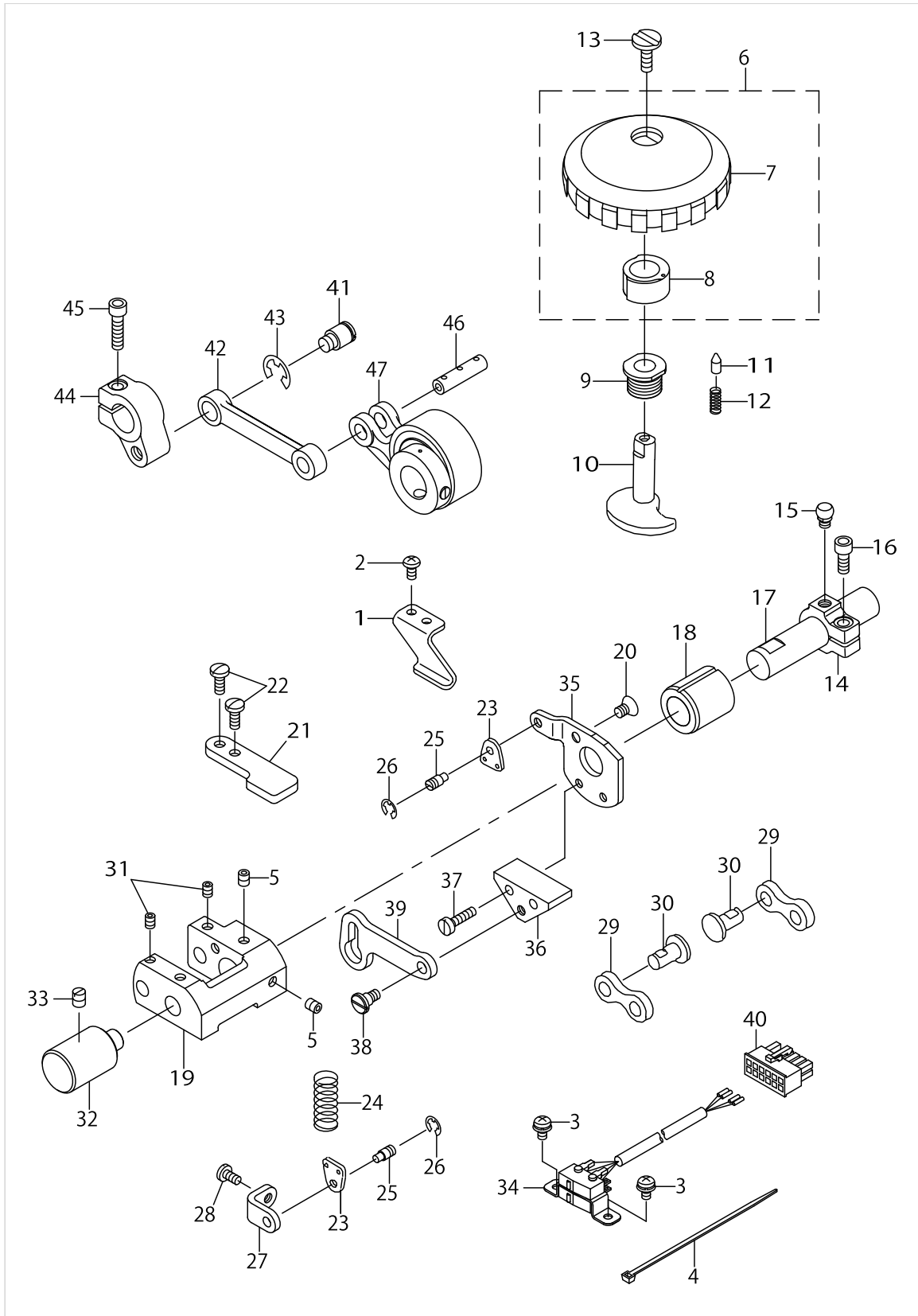


PRESSURE ADJUSTING & UPPER FEED MECHANISM COMPONENTS (1)

No.	Supply Code	Parts No.	Replacement	Parts name	Remarks	Choice	Step	Level	Cons	Qty	Rep. QTY
46		40017276		THREAD RELEASE PLATE COMPL.						1	
47		B1462053000		THREAD RELEASE SPRING						1	
48		21406103		PRESSER LIFTER LEVER						1	
49		21406608		GUIDE PLATE SPACER						1	



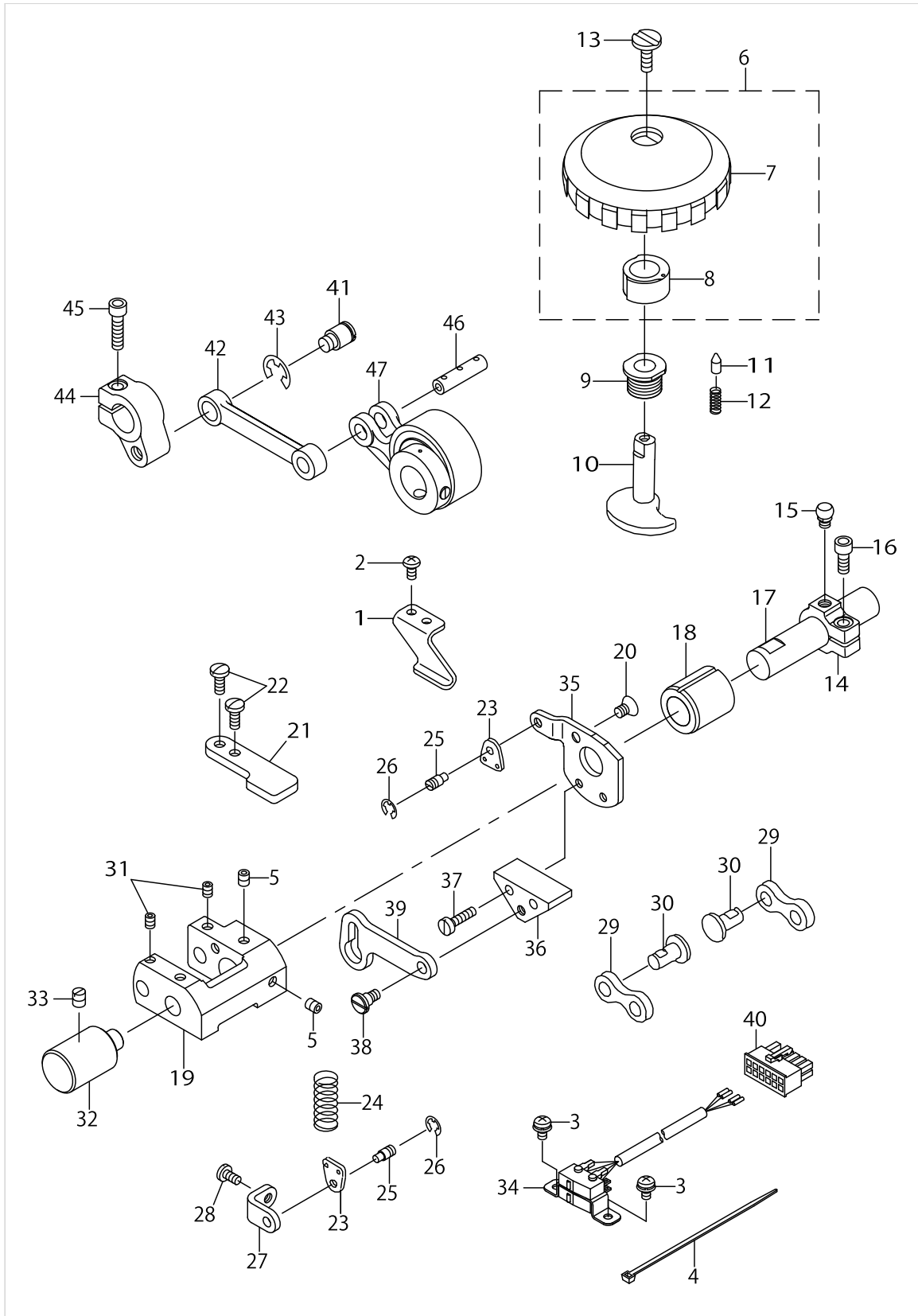
PRESSURE ADJUSTING & UPPER FEED MECHANISM COMPONENTS (2)



PRESSURE ADJUSTING & UPPER FEED MECHANISM COMPONENTS (2)

No.	Supply Code	Parts No.	Replacement	Parts name	Remarks	Choice	Step	Level	Cons	Qty	Rep. QTY
1		21438700		MUTUAL VERTICAL LINK SUPPORT						1	
2		SS4110815SP		SCREW 11/64-40 L=8						2	
3		SL4040881SC		SCREW M4 L=8						2	
4		EA9500B0100		CABLE BAND						2	
5		SM8050602TP		SCREW M5 L=6						2	
6		10774354		UPPER AND LOWER DIAL ASM.						1	
7	R	10774305	10774354	VERTICAL DIAL				*		1	1.00
8		10774404		VERTICAL CAM				*		1	
9		10715100		VERTICAL DIAL SHAFT BUSHING						1	
10		40108542		VERTICAL ADJUSTING CAM						1	
11		10715704		VERTICAL DIAL PIN						1	
12		B152652700G		SPRING						1	
13		SS6110630TP		SCREW 11/64-40 L=6						1	
14		21341607		VERTICAL ADJUSTING ARM						1	
15		10715308		PIN						1	
16		SM6051202TP		SCREW M5X0.8 L=12						1	
17		21341508		VERTICAL CHANGE BASE SHAFT						1	
18		10718203		FEED SHAFT FRONT METAL						1	
19		10714202		VERTICAL CHANGE BELT						1	
20	R	SM1050801SR	SM1050801SC	SCREW M5 L=8						1	1.00
21		21438205		UPPER FEED STOPPER PLATE						1	
22		SS7111120TP		SCREW						2	
23		10713501		SPRING HOOK						2	
24		10716504		VERTICAL SHAFT SPRING						1	
25		B3416552000		CONNECTING ROD HINGE SCREW						2	
26		RE0500000K0		E-RING						2	
27		21339809		UPPER FEED DOG SPRING HOOK						1	
28		SS7110830SP		SCREW 11/64-40 L=7.5						1	
29		40107949		CONNECTION LINK B						2	
30	R	10714608	40052263	CONNECTION LINK B SUPPORT PIN						2	1.00
31		SM8050602TP		SCREW M5 L=6						2	
32		21337803		FEED ADJUSTING BASE SUPPORT						1	
33	R	SS8150710SP	SS8150710TP	SCREW 15/64-28 L=7						1	1.00
34		40024852		VERTICAL DETECTOR SWITCH ASM.						1	
35		21438106		STOPPER PLATE B						1	
36		21438601		MUTUAL VERTICAL LINK SPASER						1	
37		SS6111610SP		SCREW 11/64-40 L=16						2	
38		SD0600454TP		SHOULDER SCREW						1	
39		21438502		MUTUAL VERTICAL LINK						1	
40		HK034610120		HOUSING 12P						1	
41		21048707		HINGE SCREW						1	
42		21340005		UPPER FEED LINK (B)						1	
43		RE0800000K0		E-SHAPED SNAP RING (8MM)						1	
44		21340302		UPPER FEED REAR ARM (B)						1	
45		SM6052002TP		SCREW M5 L=20						1	

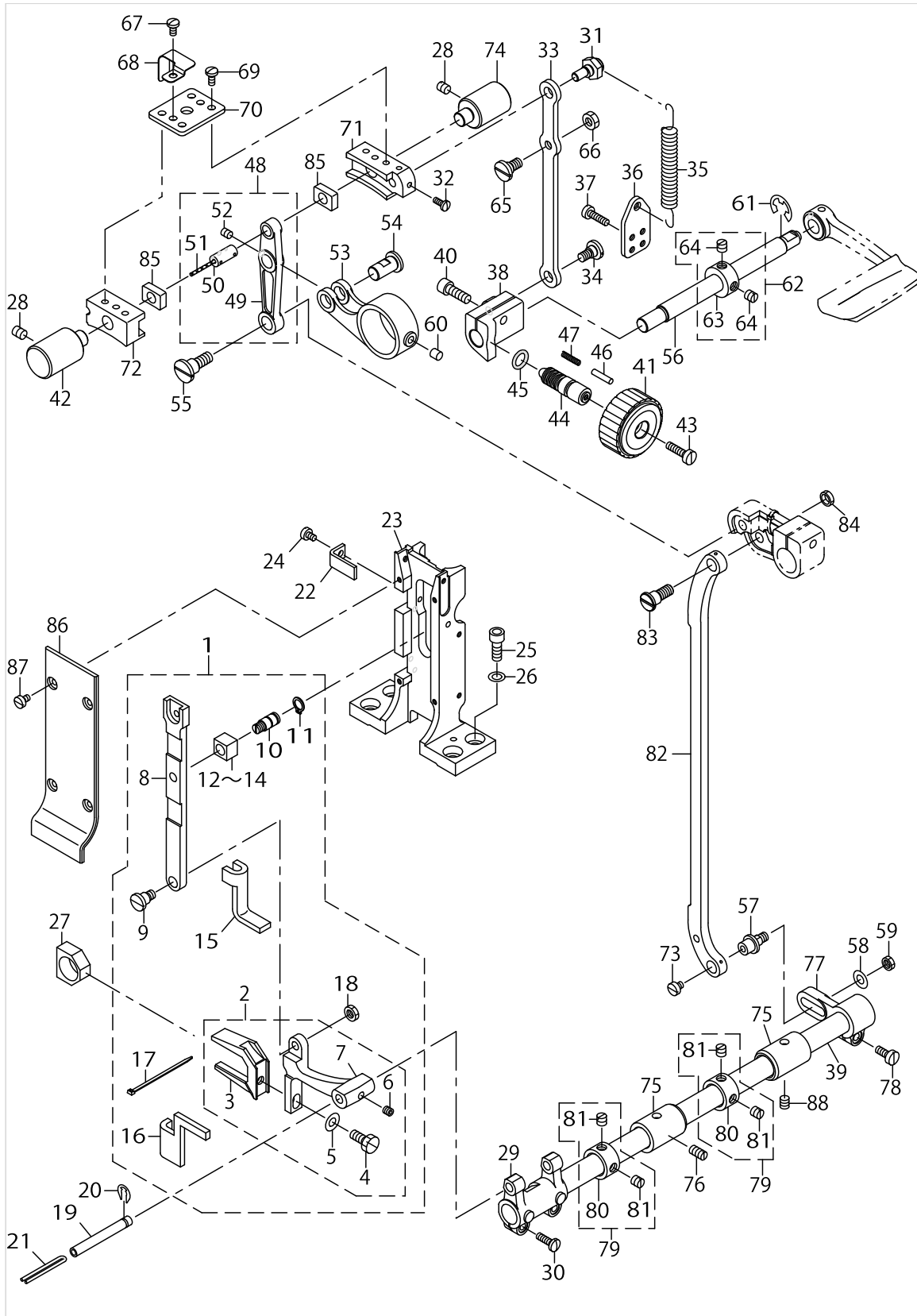
PRESSURE ADJUSTING & UPPER FEED MECHANISM COMPONENTS (2)



PRESSURE ADJUSTING & UPPER FEED MECHANISM COMPONENTS (2)

No.	Supply Code	Parts No.	Replacement	Parts name	Remarks	Choice	Step	Level	Cons	Qty	Rep. QTY
46		10713808		CONNECTION LINK PIN B						1	
47		40075553		ECCENTRIC ROD(SET)						1	

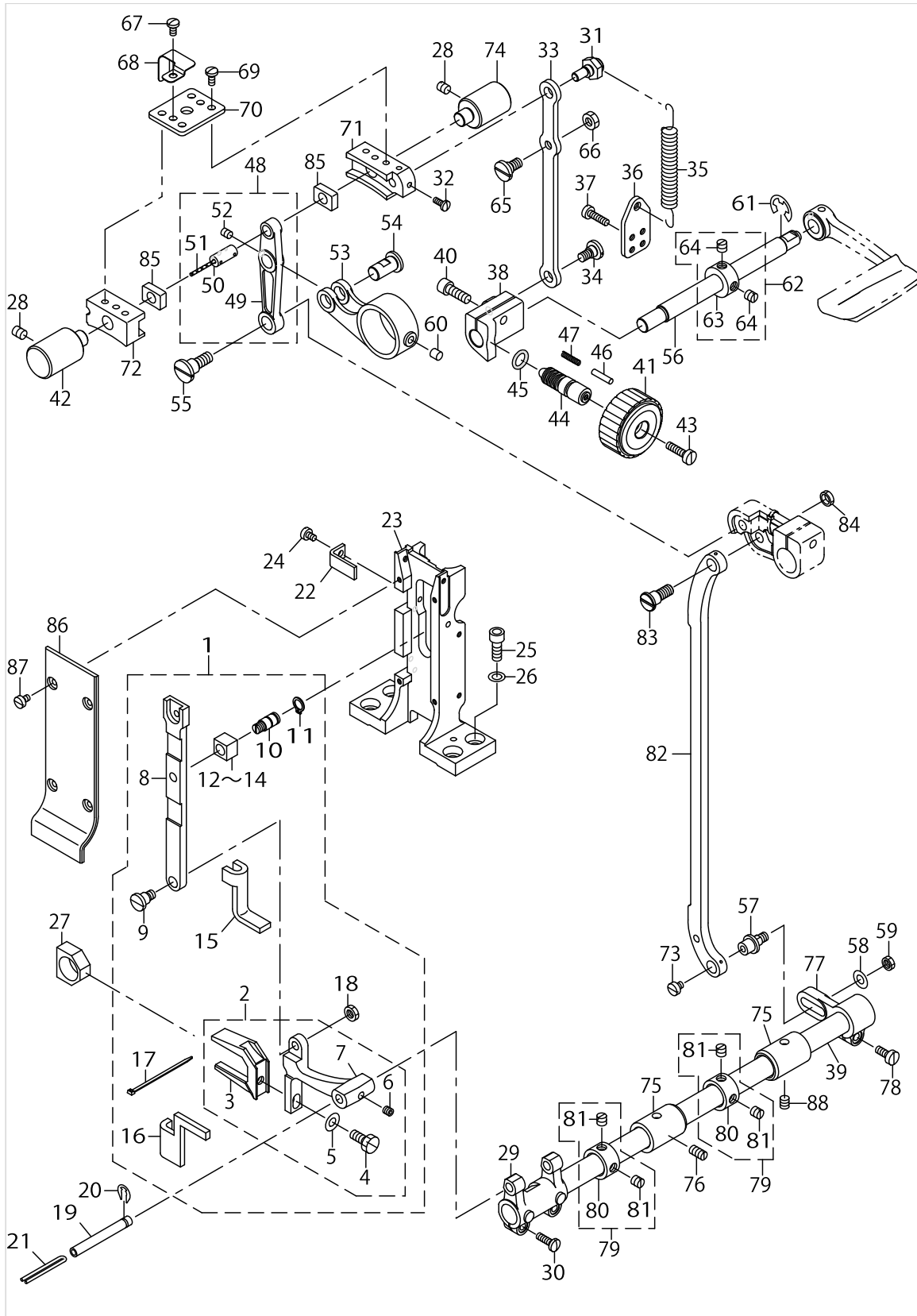
FEED MECHANISM COMPONENTS (FOR PLC-1710-7)



FEED MECHANISM COMPONENTS (FOR PLC-1710-7)

No.	Supply Code	Parts No.	Replacement	Parts name	Remarks	Choice	Step	Level	Cons	Qty	Rep. QTY
1		40038708		FEED BAR ASM.						1	
2		40039258		FEED BAR(FOR TH-READ TRIMMER) ASM.				*		1	
3	R	10107902	40039258	FEED BAR FORK		A	PLC-17*	*		1	1.00
3	R	10107902	21336060	FEED BAR FORK		B	LU-1510N-7 NA-7	*		1	1.00
3	R	10107902	21364252	FEED BAR FORK		C	LU-1560N N-7 LU-1565	*		1	1.00
3	R	10107902	21393459	FEED BAR FORK		D	LU-1520N-7	*		1	1.00
3	R	10107902	23003353	FEED BAR FORK		E	PLC-16*	*		1	1.00
3	R	10107902	21336052	FEED BAR FORK		G	LU-1510/1510-7	*		1	1.00
3	R	10107902	22609762	FEED BAR FORK				*		1	1.00
4		SS9151740CP		SCREW15/64-28L=17				*		1	
5		WP0621016SD		WASHER 6.2X13X1				*		1	
6		SM8050502TP		SCREW M5 L=5				*		1	
7		40039261		FEED BASE				*		1	
8		40039257		FEED LEVER				*		1	
9		40039015		FEED LEVER SCREW				*		1	
10		23009509		FEED LEVER SHAFT				*		1	
11		RC0740811KP		C-RING				*		1	
12		13516703		SLIDE BLOCK B	SELECTIVE PARTS			*		1	
13		13516604		SLIDE BLOCK A	SELECTIVE PARTS			*		1	
14		13519202		SLIDE BLOCK	SELECTIVE PARTS			*		1	
15		40038709		FELT A				*		1	
16		40038710		FELT B				*		1	
17		EA9500B0100		CABLE BAND				*		3	
18		NS6150310SP		NUT 15/64-28				*		1	
19		B1604012000A		FEED BAR SHAFT						1	
20		RE0500711KP		SNAP RING 5						1	
21		CQ202000000		OIL WICK						14	
22		23036304		FEED LEVER SUPPORT						2	
23		40038981		FEED LEVER BASE						1	
24		SS6090630TP		SCREW 9/64-40 L=6						2	
25		SM6061602TP		SCREW M6 L=16						4	
26		WP0612076SP		WASHER 6.1X11X2						4	
27		B1610512000		FEED DRIVING SLIDE BLOCK						1	
28		SS8150822TP		SCREW 15/64-28 L=8						2	
29		21364104		FEED ROCKER						1	
30		SS7111410TP		SCREW11/64-40L=14						2	
31		21337902		ECCENTRIC PIN						1	
32		SS7090910TP		SCREW 9/64-40 L=8.5						2	
33		21337308		FEED ADJUSTING ROD						1	
34		SD0800402TP		HINGESCREWD=8H=4						1	
35		21337605		SPRING						1	
36		40019926		SPRING HOOK						1	
37		SS6111610SP		SCREW11/64-40L=16						2	
38		21337209		FEED ADJUSTING A						1	
39		22609408		FEED ROCK SHAFT						1	

FEED MECHANISM COMPONENTS (FOR PLC-1710-7)

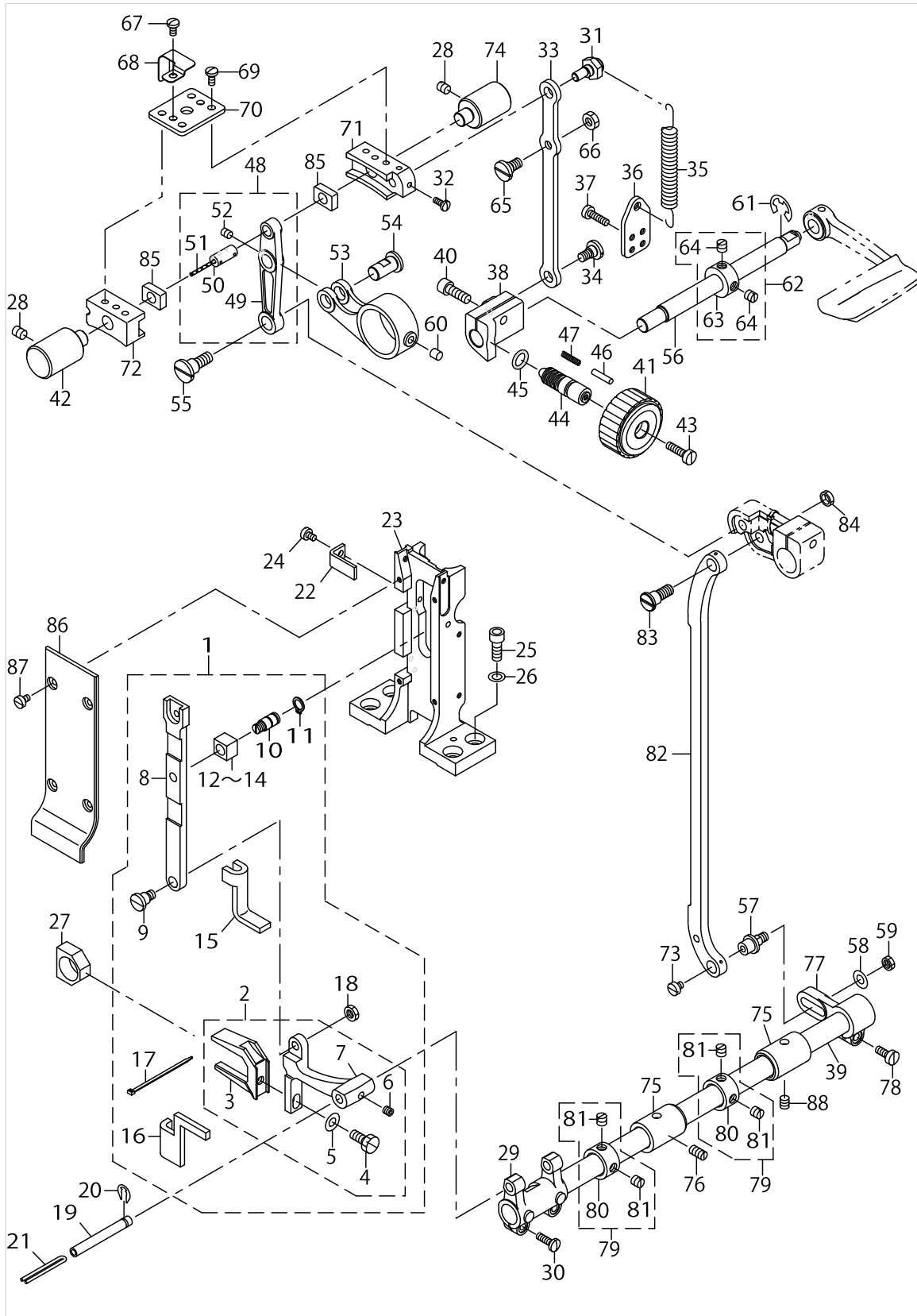


FEED MECHANISM COMPONENTS (FOR PLC-1710-7)

No.	Supply Code	Parts No.	Replacement	Parts name	Remarks	Choice	Step	Level	Cons	Qty	Rep. QTY
40		SM6061802TP		SCREW M6 L=18						1	
41		21336805		FEED DIAL A						1	
42		21430400		FEED ADJUSTER SUPPORT						1	
43		SS6121860SP		SCREW 3/16-28 L=18						1	
44		22911804		FEED REGULATOR SCREW						1	
45		RO092270200		RUBBER RING						1	
46		22912000		FEED REGULATOR PIN						1	
47		22912109		FEED REGULATOR PIN SPRING						1	
48		21336656		FEED LINK ASM.						1	
49		21336607		FEED LINK				*		1	
50		40009103		CONNECTING FORKED LINK PIN				*		1	
51		CQ202000000		OIL WICK				*		0.04	
52		SM8050612TP		SCREW M5X6				*		1	
53		21336706		FEED ROD A						1	
54	R	21338207	21378906	FEED LINK PIN						1	1.00
55		SD1000801SH		HINGE SCREW D=10 H=8						1	
56		21336300		BACKWARD FEED LEVER SHAFT						1	
57		40108541		FEED ROCK SHAFT HINGE SCREW						1	
58		WP0650876SD		WASHER 6.5X13X0.8						1	
59		NS6150310SP		NUT 15/64-28						1	
60		21387402		FELT						1	
61		RE0900000K0		E-RING 9						1	
62		CS1201010SH		THRUST COLLAR ASM. D=12 W=10						1	
63		CS1201011SH		THRUST COLLAR D=12 W=10				*		1	
64		SS8660610TP		SCREW 1/4-40 L=6				*		2	
65		SD0800402TP		HINGESCREWD=8H=4						1	
66		NS6150430SP		NUT 15/64-28						1	
67		SS7110710SP		SCREW 11/64-40 L=7						1	
68		40038712		FELT HOLDER						1	
69		SS7110910TP		SCREW 11/64-40 L=8.5						4	
70		21407408		FITTING PLATE						1	
71	R	21407200	40081970	FEED ADJUSTING BASE						1	1.00
72	R	40038711	40081969	FEED ADJUSTING BASE B						1	1.00
73		SS6110520TP		SCREW 11/64-40 L=4.5						1	
74		21337803		FEED ADJUSTING BASE SUPPORT						1	
75		21378302		FEED SHAFT METAL						2	
76		SS8151150TP		SCREW 15/64-28 L=10.5						1	
77		B3025141H00A		CONNECTING ARM						1	
78		SS6121210SP		SCREW 3/16-28 L=12						1	
79		22904155		MAIN SHAFT THRU-ST COLLAR ASM.						2	
80	R	22904106	22904155	MAIN SHAFT THRUST COLLAR				*		1	1.00
81		SS8660610TP		SCREW 1/4-40 L=6				*		2	
82		40039307		FEED REGULATOR CONNECTING ROD						1	
83		SD0900701TP		HINGESCREWD=9H=7						1	
84		NS6680320SP		NUT 9/32-28						1	



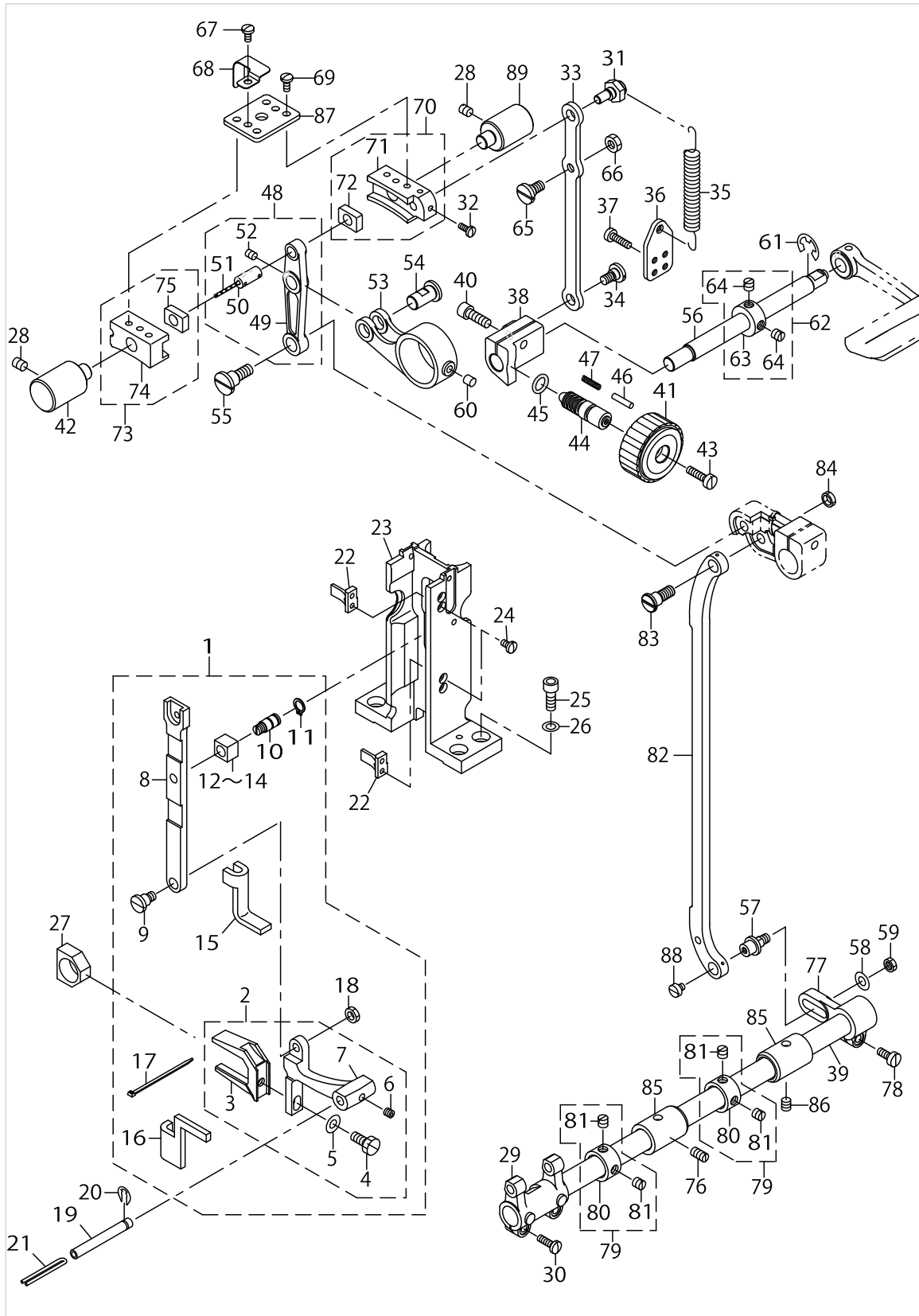
FEED MECHANISM COMPONENTS (FOR PLC-1710-7)



FEED MECHANISM COMPONENTS (FOR PLC-1710-7)

No.	Supply Code	Parts No.	Replacement	Parts name	Remarks	Choice	Step	Level	Cons	Qty	Rep. QTY
85	R	21407309	40081969	SQUARE BLOCK		A	40038711 送り調節体- B/40038711 FEED ADJ- USTING BASE B			2	1.00
85	R	21407309	40081970	SQUARE BLOCK		B	21407200 送り調節/2- 1407200 F- EED ADJU- STING BASE			2	1.00
86		40017263		FEED LEVER BASE COVER						1	
87	R	SS6090630SP	SS6090630TP	SCREW 9/64-40 L=6						4	1.00
88		SS8150710TP		SCREW 15/64-28 L=7						1	

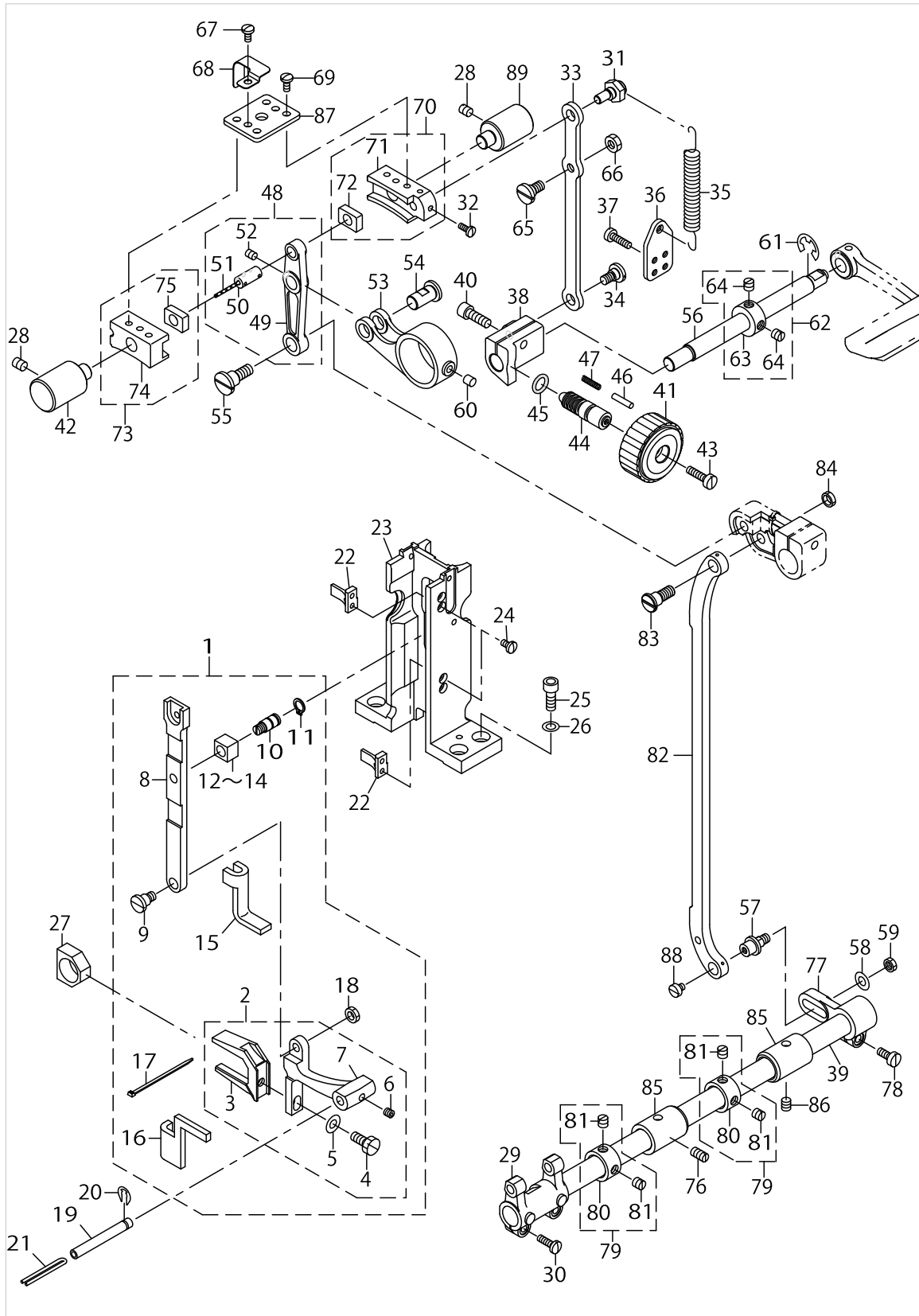
FEED MECHANISM COMPONENTS (FOR PLC-1760-7)



FEED MECHANISM COMPONENTS (FOR PLC-1760-7)

No.	Supply Code	Parts No.	Replacement	Parts name	Remarks	Choice	Step	Level	Cons	Qty	Rep. QTY
1		40038708		FEED BAR ASM.						1	
2		40039258		FEED BAR(FOR TH-READ TRIMMER) ASM.				*		1	
3	R	10107902	40039258	FEED BAR FORK		A	PLC-17*	*		1	1.00
3	R	10107902	21336060	FEED BAR FORK		B	LU-1510N-7 NA-7	*		1	1.00
3	R	10107902	21364252	FEED BAR FORK		C	LU-1560N N-7 LU-1565	*		1	1.00
3	R	10107902	21393459	FEED BAR FORK		D	LU-1520N-7	*		1	1.00
3	R	10107902	23003353	FEED BAR FORK		E	PLC-16*	*		1	1.00
3	R	10107902	21336052	FEED BAR FORK		G	LU-1510/1510-7	*		1	1.00
3	R	10107902	22609762	FEED BAR FORK				*		1	1.00
4		SS9151740CP		SCREW15/64-28L=17				*		1	
5		WP0621016SD		WASHER 6.2X13X1				*		1	
6		SM8050502TP		SCREW M5 L=5				*		1	
7		40039261		FEED BASE				*		1	
8		40039257		FEED LEVER				*		1	
9		40039015		FEED LEVER SCREW				*		1	
10		23009509		FEED LEVER SHAFT				*		1	
11		RC0740811KP		C-RING				*		1	
12		13516703		SLIDE BLOCK B	SELECTIVE PARTS			*		1	
13		13516604		SLIDE BLOCK A	SELECTIVE PARTS			*		1	
14		13519202		SLIDE BLOCK	SELECTIVE PARTS			*		1	
15		40038709		FELT A				*		1	
16		40038710		FELT B				*		1	
17		EA9500B0100		CABLE BAND				*		3	
18		NS6150310SP		NUT 15/64-28				*		1	
19		B1604012000A		FEED BAR SHAFT						1	
20		RE0500711KP		SNAP RING 5						1	
21		CQ202000000		OIL WICK						14	
22		40017317		FEED LEVER SUPPORT						2	
23		40038707		FEED LEVER BASE						1	
24		SS7090710SP		SCREW9/64-40L=6.8						4	
25		SM6061602TP		SCREW M6 L=16						4	
26		WP0612076SP		WASHER 6.1X11X2						4	
27		B1610512000		FEED DRIVING SLIDE BLOCK						1	
28		SS8150822TP		SCREW 15/64-28 L=8						2	
29		21364104		FEED ROCKER						1	
30		SS7111410TP		SCREW11/64-40L=14						2	
31		21337902		ECCENTRIC PIN						1	
32		SS7090910TP		SCREW 9/64-40 L=8.5						2	
33		21337308		FEED ADJUSTING ROD						1	
34		SD0800402TP		HINGESCREWD=8H=4						1	
35		21337605		SPRING						1	
36		40019926		SPRING HOOK						1	
37		SS6111610SP		SCREW11/64-40L=16						2	
38		21337209		FEED ADJUSTING A						1	
39		22609408		FEED ROCK SHAFT						1	

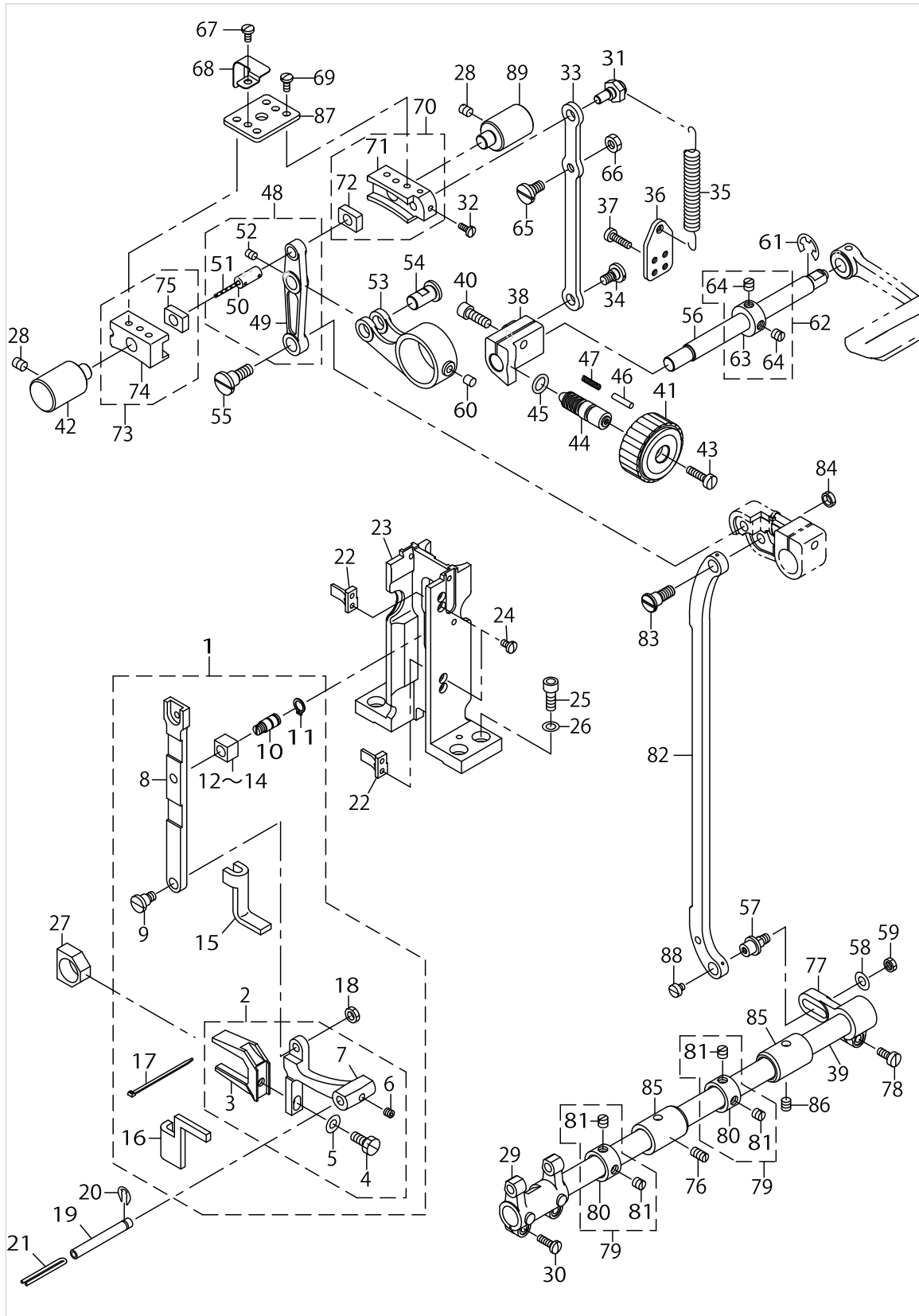
FEED MECHANISM COMPONENTS (FOR PLC-1760-7)



FEED MECHANISM COMPONENTS (FOR PLC-1760-7)

No.	Supply Code	Parts No.	Replacement	Parts name	Remarks	Choice	Step	Level	Cons	Qty	Rep. QTY
40		SM6061802TP		SCREW M6 L=18						1	
41		21336805		FEED DIAL A						1	
42		21430400		FEED ADJUSTER SUPPORT						1	
43		SS6121860SP		SCREW 3/16-28 L=18						1	
44		22911804		FEED REGULATOR SCREW						1	
45		RO092270200		RUBBER RING						1	
46		22912000		FEED REGULATOR PIN						1	
47		22912109		FEED REGULATOR PIN SPRING						1	
48		21336656		FEED LINK ASM.						1	
49		21336607		FEED LINK				*		1	
50		40009103		CONNECTING FORKED LINK PIN				*		1	
51		CQ202000000		OIL WICK				*		0.04	
52		SM8050612TP		SCREW M5X6				*		1	
53		21336706		FEED ROD A						1	
54	R	21338207	21378906	FEED LINK PIN						1	1.00
55		SD1000801SH		HINGE SCREW D=10 H=8						1	
56		21336300		BACKWARD FEED LEVER SHAFT						1	
57		40108541		FEED ROCK SHAFT HINGE SCREW						1	
58		WP0650876SD		WASHER 6.5X13X0.8						1	
59		NS6150310SP		NUT 15/64-28						1	
60		21387402		FELT						1	
61		RE0900000K0		E-RING 9						1	
62		CS1201010SH		THRUST COLLAR ASM. D=12 W=10						1	
63		CS1201011SH		THRUST COLLAR D=12 W=10				*		1	
64		SS8660610TP		SCREW 1/4-40 L=6				*		2	
65		SD0800402TP		HINGESCREWD=8H=4						1	
66		NS6150430SP		NUT 15/64-28						1	
67		SS7110710SP		SCREW 11/64-40 L=7						1	
68		40038712		FELT HOLDER						1	
69		SS7110910TP		SCREW 11/64-40 L=8.5						4	
70		40081970		FEED ADJUSTING BASE						1	
71	R	21407200	40081970	FEED ADJUSTING BASE				*		1	1.00
72	R	21407309	40081969	SQUARE BLOCK		A	40038711 送り調節体- B/40038711 FEED ADJ- USTING BASE B	*		1	1.00
72	R	21407309	40081970	SQUARE BLOCK		B	21407200 送り調節/2- 1407200 F- EED ADJU- STING BASE	*		1	1.00
73		40081969		FEED ADJUSTING BASE B SET						1	
74	R	40038711	40081969	FEED ADJUSTING BASE B				*		1	1.00
75	R	21407309	40081969	SQUARE BLOCK		A	40038711 送り調節体- B/40038711 FEED ADJ- USTING BASE B	*		1	1.00
75	R	21407309	40081970	SQUARE BLOCK		B	21407200 送り調節/2- 1407200 F- EED ADJU- STING BASE	*		1	1.00

FEED MECHANISM COMPONENTS (FOR PLC-1760-7)

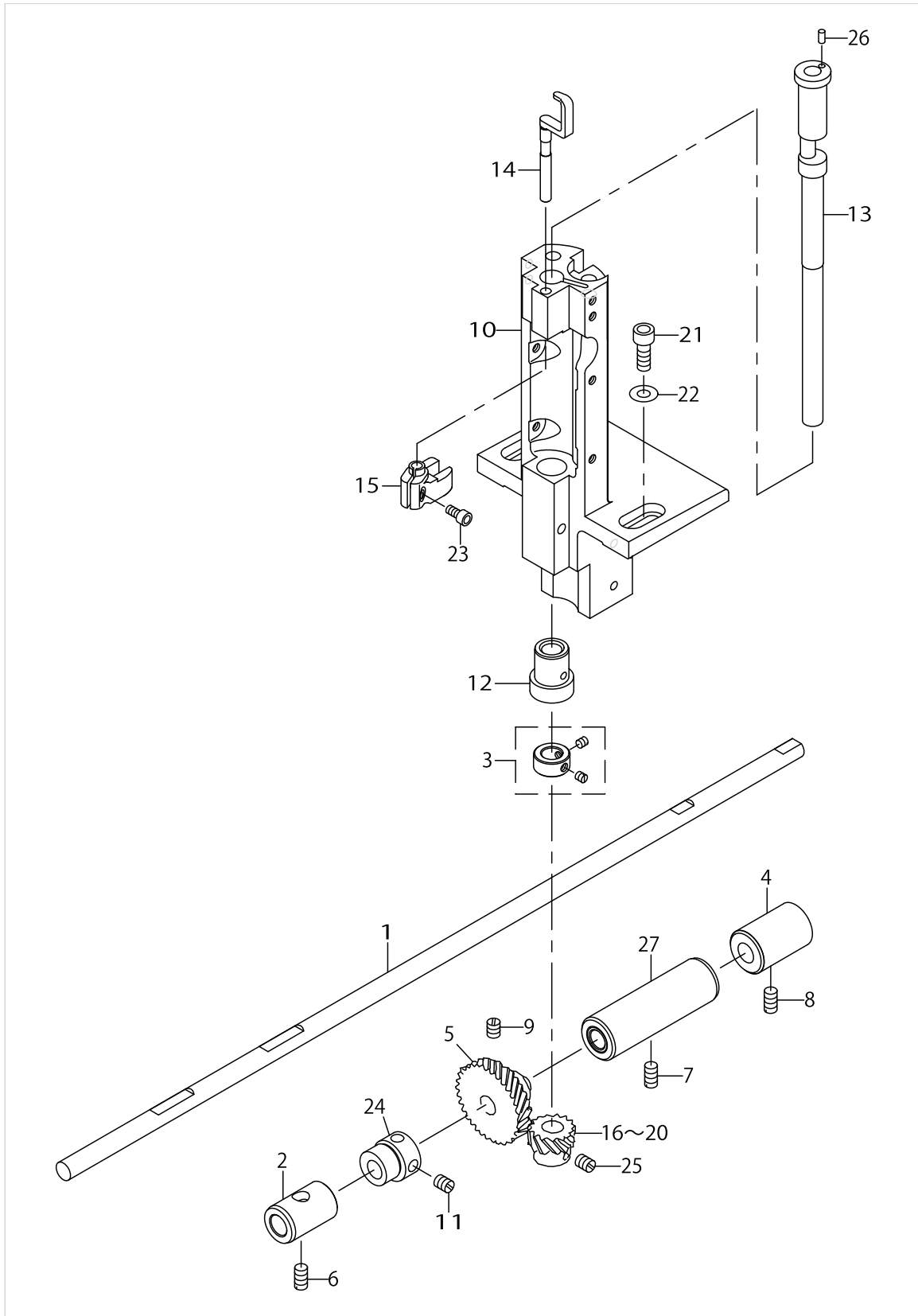


FEED MECHANISM COMPONENTS (FOR PLC-1760-7)

No.	Supply Code	Parts No.	Replacement	Parts name	Remarks	Choice	Step	Level	Cons	Qty	Rep. QTY
76		SS8151150TP		SCREW 15/64-28 L=10.5						1	
77		B3025141H00A		CONNECTING ARM						1	
78		SS6121210SP		SCREW 3/16-28 L=12						1	
79		22904155		MAIN SHAFT THRU-ST COLLAR ASM.						2	
80	R	22904106	22904155	MAIN SHAFT THRUST COLLAR				*		1	1.00
81		SS8660610TP		SCREW 1/4-40 L=6				*		2	
82		40039307		FEED REGULATOR CONNECTING ROD						1	
83		SD0900701TP		HINGESCREW D=9H=7						1	
84		NS6680320SP		NUT 9/32-28						1	
85		21378302		FEED SHAFT METAL						2	
86		SS8150710TP		SCREW 15/64-28 L=7						1	
87		21407408		FITTING PLATE						1	
88		SS6110520TP		SCREW 11/64-40 L=4.5						1	
89		21337803		FEED ADJUSTING BASE SUPPORT						1	



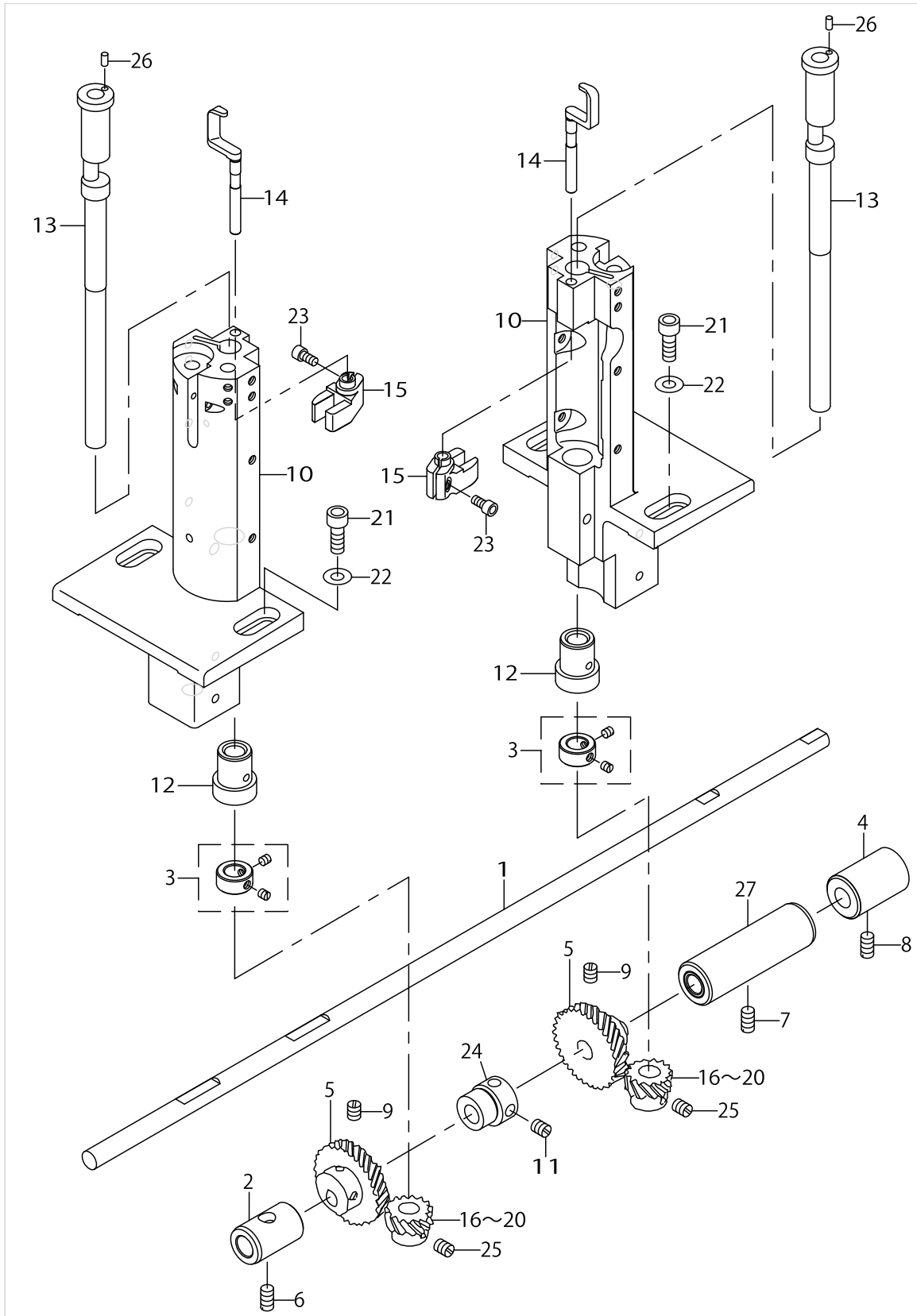
HOOK SHAFT & LOWER SHAFT COMPONENTS (FOR PLC-1710-7)



HOOK SHAFT & LOWER SHAFT COMPONENTS (FOR PLC-1710-7)

No.	Supply Code	Parts No.	Replacement	Parts name	Remarks	Choice	Step	Level	Cons	Qty	Rep. QTY
1		40038695		HOOK DRIVING SHAFT						1	
2		21427307		LOWER SHAFT METAL REAR						1	
3		CS095081ASH		THRUST COLLAR ASM. D=9.53 W=8						1	
4		B1807512000		BUSHING B INTERMEDIATE						1	
5		B1816512000		HOOK DRIVING SHAFT LARGE						1	
6		SS8151150TP		SCREW 15/64-28 L=10.5						1	
7		SS8151150TP		SCREW 15/64-28 L=10.5						1	
8		SS8151150TP		SCREW 15/64-28 L=10.5						1	
9		SS8660810TP		SCREW 1/4-40 L=8					☆	2	
10		40038724		HOOK SHAFT BASE						1	
11		SS8150710TP		SCREW 15/64-28 L=7						2	
12		21334701		HOOK SHAFT LOWER METAL						1	
13		23004609		HOOK SHAFT						1	
14		40038829		OPENER						1	
15		23004906		OPENER GUIDE ARM						1	
16		10112001		HOOK SHAFT GEAR A	SELECTIVE PARTS					1	
17		10112100		HOOK SHAFT GEAR B	SELECTIVE PARTS					1	
18		10112209		HOOK SHAFT GEAR C	SELECTIVE PARTS					1	
19		10111904		HOOK SHAFT GEAR	SELECTIVE PARTS					1	
20		40029634		HOOK SHAFT SCREW GEAR	SELECTIVE PARTS					1	
21		SM6061602TP		SCREW M6 L=16						2	
22		WP0612076SP		WASHER 6.1X11X2						2	
23		SM6040802TP		SCREW M4X0.7 L=8						1	
24		23024409		VERTICAL FEED CAM (1.5)						1	
25		SS8660530TP		SCREW 1/4-40 L=4.5					☆	3	
26		PH0300062C0		PIN						1	
27		40038697		BUSHING INTERMEDIATE ASM.						1	

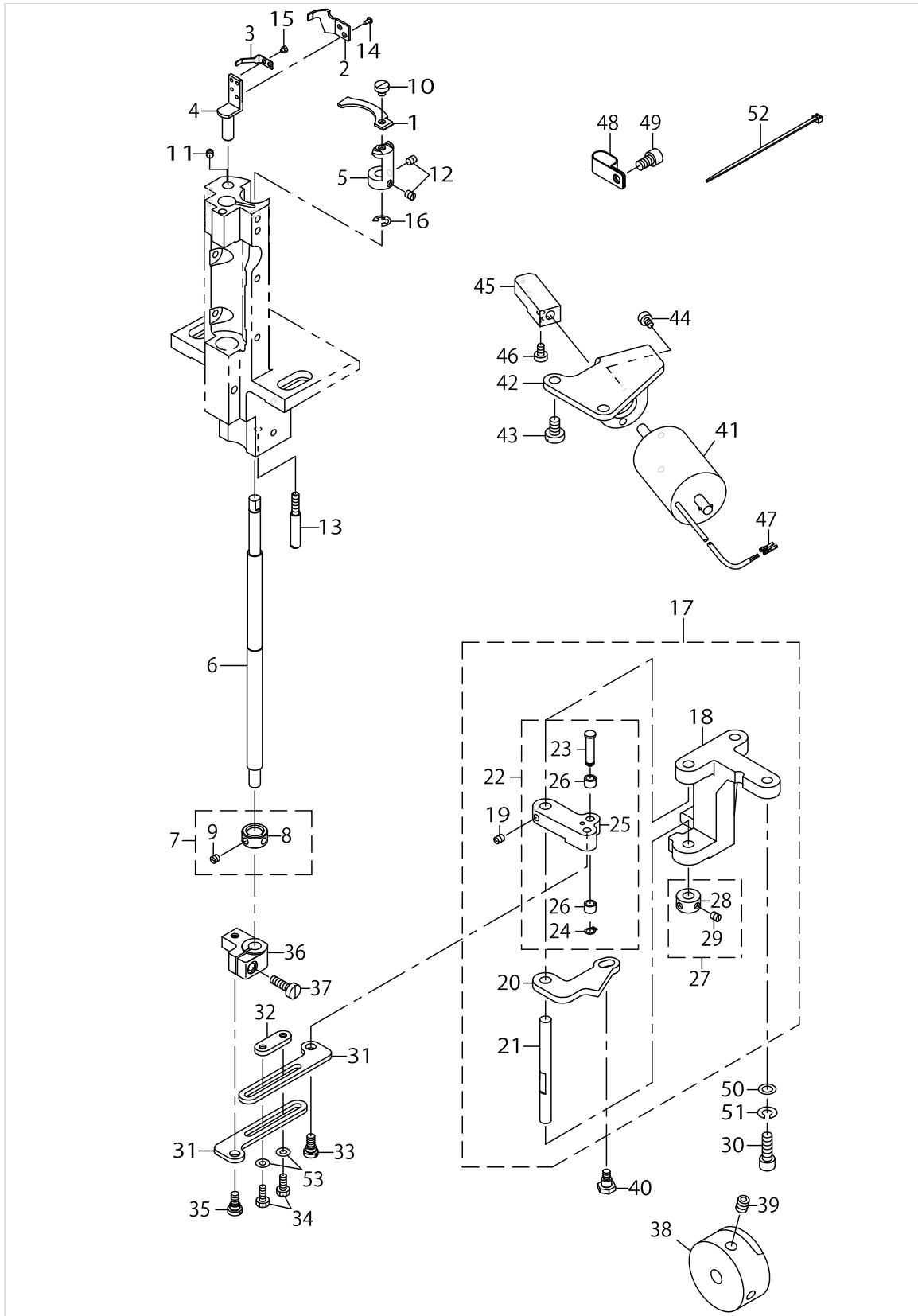
HOOK SHAFT & LOWER SHAFT COMPONENTS (FOR PLC-1760-7)



HOOK SHAFT & LOWER SHAFT COMPONENTS (FOR PLC-1760-7)

No.	Supply Code	Parts No.	Replacement	Parts name	Remarks	Choice	Step	Level	Cons	Qty	Rep. QTY
1		40038695		HOOK DRIVING SHAFT						1	
2		21427307		LOWER SHAFT METAL REAR						1	
3		CS095081ASH		THRUST COLLAR ASM. D=9.53 W=8						2	
4		B1807512000		BUSHING B INTERMEDIATE						1	
5		B1816512000		HOOK DRIVING SHAFT LARGE						2	
6		SS8151150TP		SCREW 15/64-28 L=10.5						1	
7		SS8151150TP		SCREW 15/64-28 L=10.5						1	
8		SS8151150TP		SCREW 15/64-28 L=10.5						1	
9		SS8660810TP		SCREW 1/4-40 L=8					☆	4	
10		40038724		HOOK SHAFT BASE						2	
11		SS8150710TP		SCREW 15/64-28 L=7						2	
12		21334701		HOOK SHAFT LOWER METAL						2	
13		23004609		HOOK SHAFT						2	
14		40038829		OPENER						2	
15		23004906		OPENER GUIDE ARM						2	
16		10112001		HOOK SHAFT GEAR A	SELECTIVE PARTS					2	
17		10112100		HOOK SHAFT GEAR B	SELECTIVE PARTS					2	
18		10112209		HOOK SHAFT GEAR C	SELECTIVE PARTS					2	
19		10111904		HOOK SHAFT GEAR	SELECTIVE PARTS					2	
20		40029634		HOOK SHAFT SCREW GEAR	SELECTIVE PARTS					2	
21		SM6061602TP		SCREW M6 L=16						4	
22		WP0612076SP		WASHER 6.1X11X2						4	
23		SM6040802TP		SCREW M4X0.7 L=8						2	
24		23003502		VERTICAL FEED CAM						1	
25		SS8660530TP		SCREW 1/4-40 L=4.5					☆	6	
26		PH0300062C0		PIN						2	
27		40038697		BUSHING INTERMEDIATE ASM.						1	

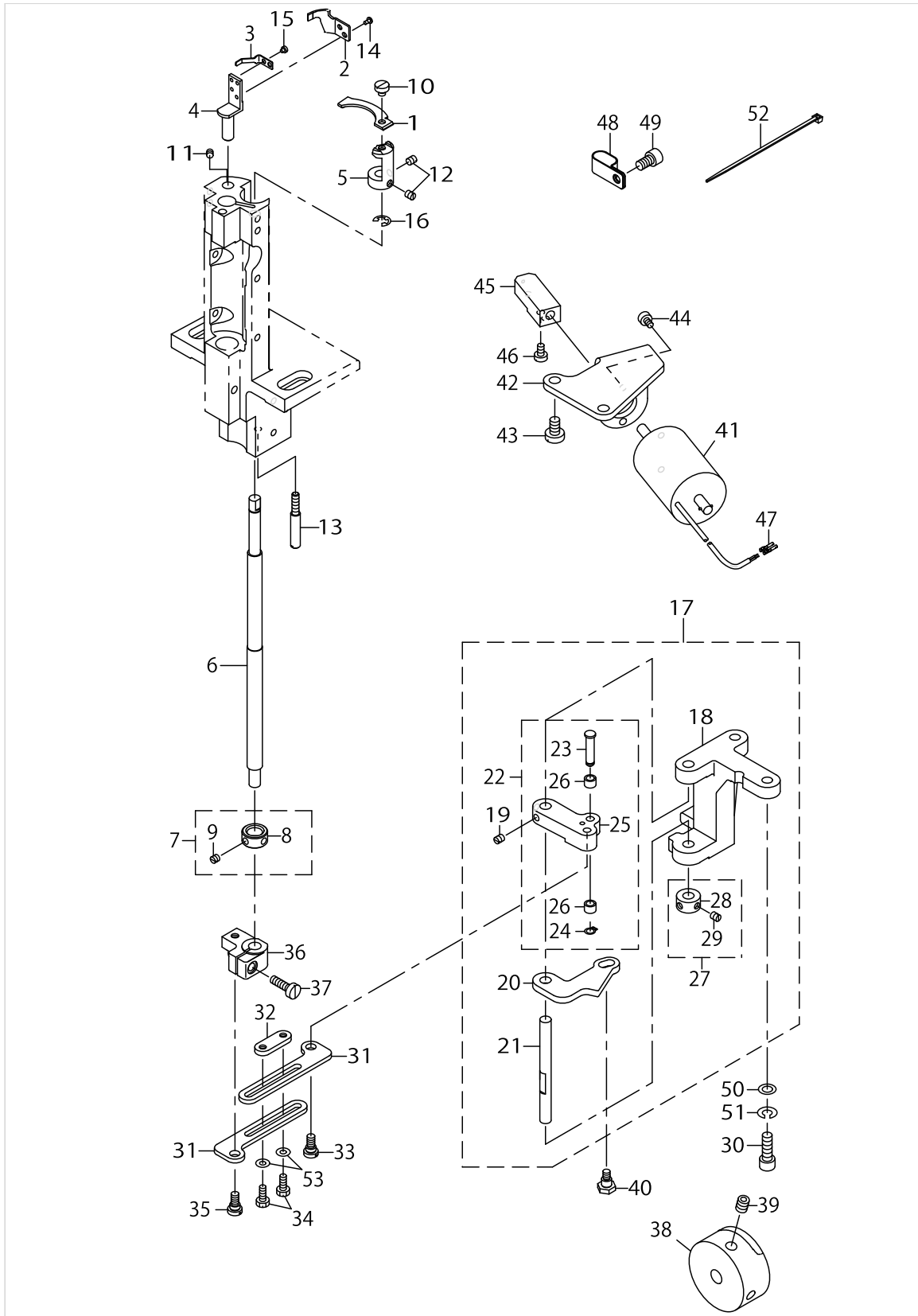
THREAD CUTTING COMPONENTS (FOR PLC-1710-7)



THREAD CUTTING COMPONENTS (FOR PLC-1710-7)

No.	Supply Code	Parts No.	Replacement	Parts name	Remarks	Choice	Step	Level	Cons	Qty	Rep. QTY
1		40038746		MOVING KNIFE					☆	1	
2		40038747		FIXED KNIFE					☆	1	
3		40039404		CLAMP SPRING B					☆	1	
4		40038750		FIXED KNIFE INSTALLING BASE						1	
5		40038749		MOVING KNIFE INSTALLING BASE						1	
6		40038751		MOVING KNIFE DRIVING SHAFT						1	
7		CS0950810SH		THRUST COLLAR ASM. D=9.5 W=8						1	
8	R	CS0950816SH	CS0950810SH	THRUST COLLAR D=9.5 W=8					*	1	1.00
9		SS8110410TP		SCREW 11/64-40 L=3.5					*	2	
10		SS6110480SP		SCREW 11/64-40 L=4.3						1	
11		SM8040402TP		SCREW M4X0.7 L=4						2	
12		SS8110520TP		SCREW 11/64-40 L=4.5						2	
13		22790505		SENSOR SUPPORT SHAFT B						1	
14		SS5060410SP		SCREW 3/32-56 L=3.5						2	
15		SS6060220SP		SCREW 3/32-56 L=2.0						2	
16		RE0500000K0		E-RING						1	
17		40038744		VERTICAL FITTING BASIS ASM.						1	
18		21353701		VERTICAL FITTING BASIS					*	1	
19	R	SS8110510SP	SS8110520TP	SCREW 11/64-40 L=5					*	2	1.00
20		21354006		THREAD CUTTING DRIVING PLATE					*	1	
21		10116804		SHAFT					*	1	
22		40119280		THREAD CUTTING ROLLER ARM ASM.					*	1	
23		40104369		CAM ROLLER SHAFT					*	1	
24		D2430555B00		SNAP RING					*	1	
25	R	40104368	21353750	THREAD CUTTING ROLLER ARM		A	LU		*	1	1.00
25	R	40104368	40038744	THREAD CUTTING ROLLER ARM		B	PLC		*	1	1.00
26		21440508		THREAD TRIMMER CAM ROLLER					*	2	
27		CS070081BSH		THRUST COLLAR ASM. D=7 W=8					*	1	
28		CS0700811SH		THRUST COLLAR D=7 W=8					*	1	
29	R	SS8110510SP	SS8110520TP	SCREW 11/64-40 L=5					*	2	1.00
30		SS6151812TP		SCREW 15/64-28 L=18						2	
31		40039262		CONNECTING ROD						2	
32		21354204		STOPPING PLATE						1	
33		SD0640325SP		HINGE SCREW						1	
34		SS9111010SP		SCREW 11/64-40 L=9.5						2	
35		SD0640325SP		HINGE SCREW						1	
36		40038983		ROCKING ARM						1	
37		SS6121610TP		SCREW 3/16-28 L=15.5						1	
38		40038745		THREAD CUTTING CAM						1	
39		SS8660612TP		SCREW 1/4-40 L=6						2	
40		SD0640482SP		HINGE SCREW D=6.35 H=4.8						1	
41		21355102		THREAD CUTTING SOLENOID						1	
42		21354600		SOLENOID FITTING PLATE						1	
43		SS6151040SP		SCREW 15/64-28 L=10						2	
44		SM6040802TP		SCREW M4X0.7 L=8						2	
45		21354709		SOLENOID CONNECTING PLATE						1	

THREAD CUTTING COMPONENTS (FOR PLC-1710-7)

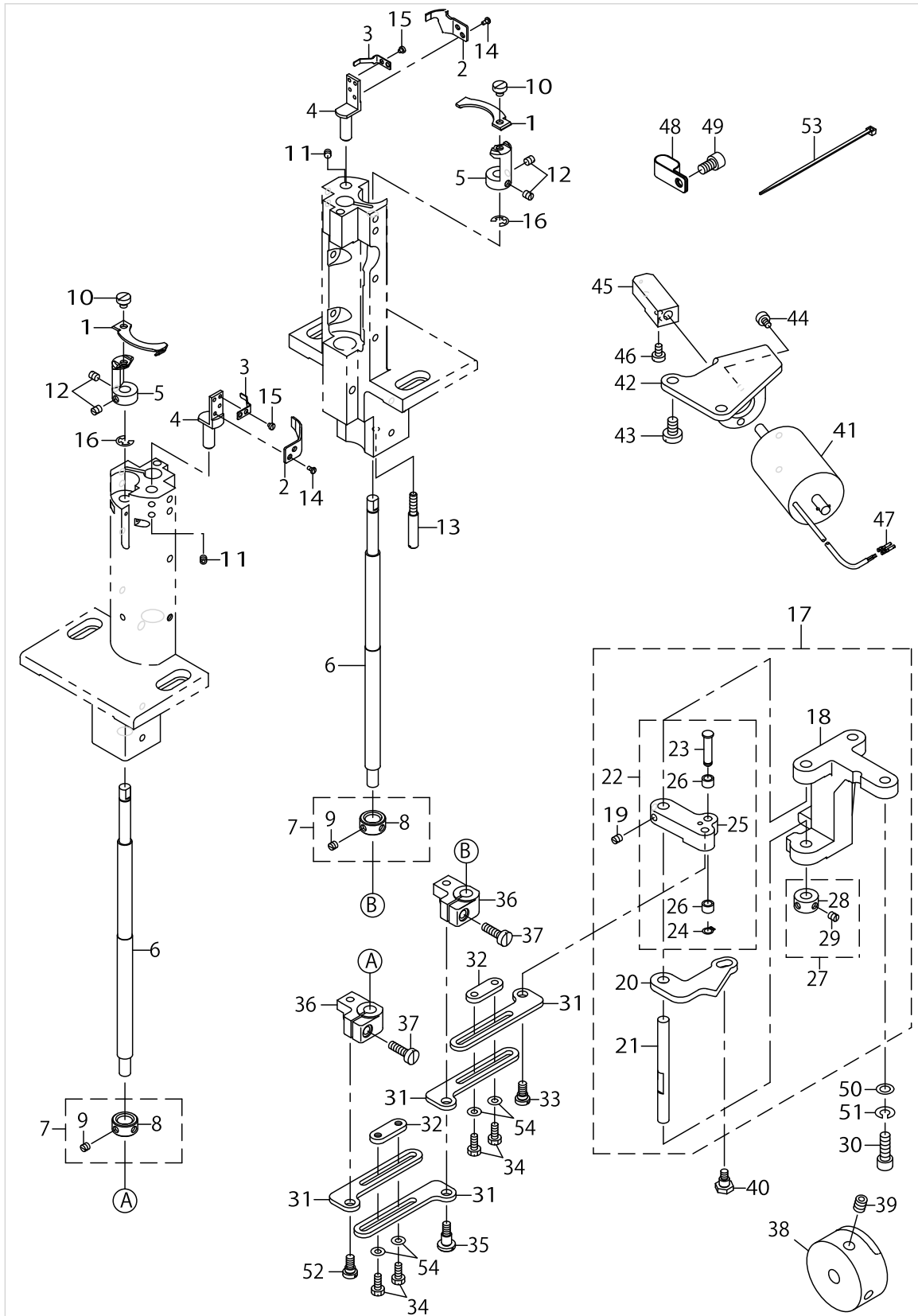


THREAD CUTTING COMPONENTS (FOR PLC-1710-7)

No.	Supply Code	Parts No.	Replacement	Parts name	Remarks	Choice	Step	Level	Cons	Qty	Rep. QTY
46		SS6110710TP		SCREW 11/64-40 L=6.5						2	
47		HK03464000B		PIN CONTACT						2	
48		D2112555B00		CORD HOLDER LARGE						1	
49		SM6061002TP		SCREW M6 L=10						1	
50		WP0651056SD		WASHER 6.5X11X1						2	
51		WS0610002KP		SPRING WASHER						2	
52		EA9500B0100		CABLE BAND						1	
53		WP0501016SD		WASHER 5X10.5X1						2	



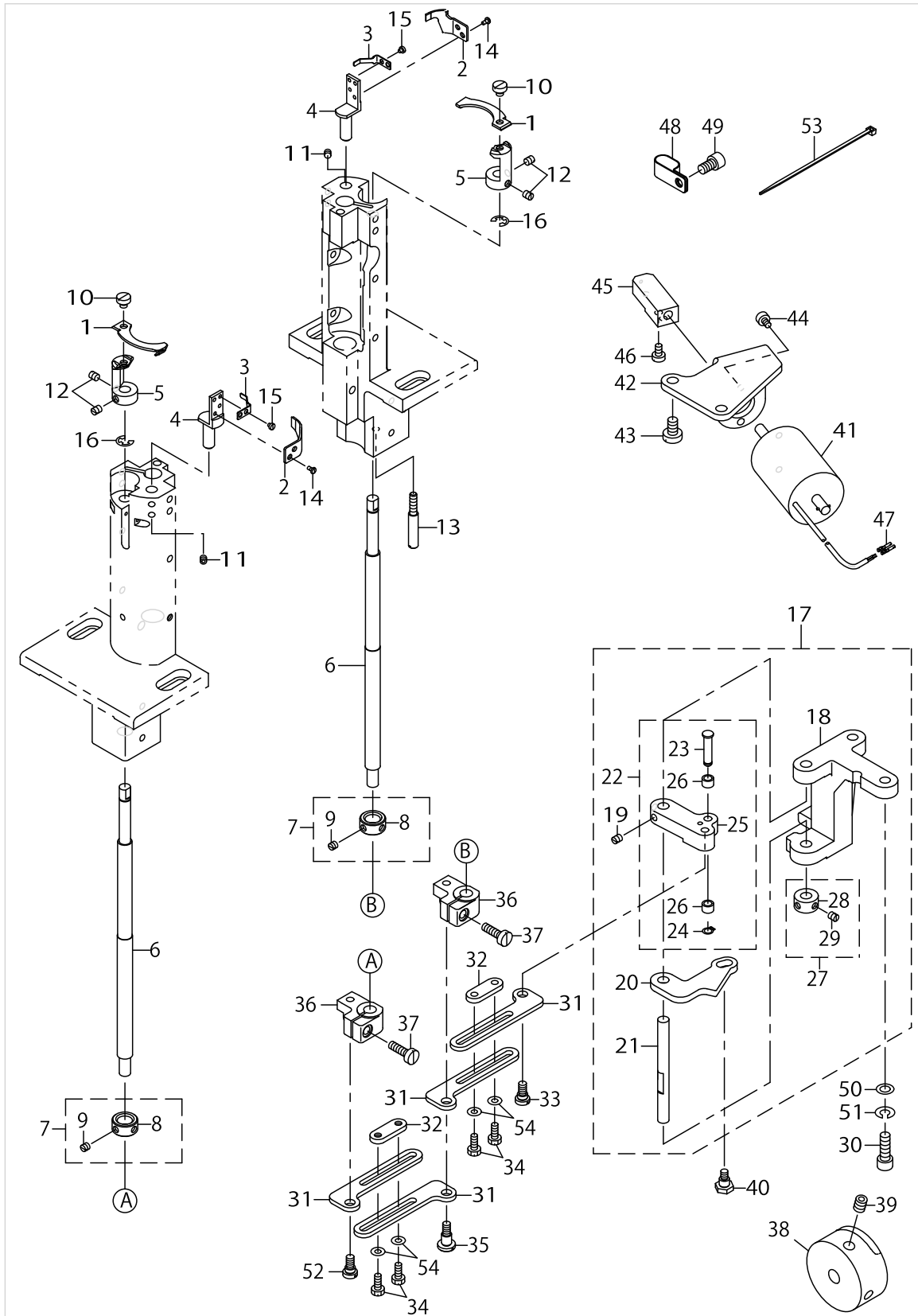
THREAD CUTTING COMPONENTS (FOR PLC-1760-7)



THREAD CUTTING COMPONENTS (FOR PLC-1760-7)

No.	Supply Code	Parts No.	Replacement	Parts name	Remarks	Choice	Step	Level	Cons	Qty	Rep. QTY
1		40038746		MOVING KNIFE					☆	2	
2		40038747		FIXED KNIFE					☆	2	
3		40039404		CLAMP SPRING B					☆	2	
4		40038750		FIXED KNIFE INSTALLING BASE						2	
5		40038749		MOVING KNIFE INSTALLING BASE						2	
6		40038751		MOVING KNIFE DRIVING SHAFT						2	
7		CS0950810SH		THRUST COLLAR ASM. D=9.5 W=8						2	
8	R	CS0950816SH	CS0950810SH	THRUST COLLAR D=9.5 W=8					*	2	1.00
9		SS8110410TP		SCREW 11/64-40 L=3.5					*	4	
10		SS6110480SP		SCREW 11/64-40 L=4.3						2	
11		SM8040402TP		SCREW M4X0.7 L=4						4	
12		SS8110520TP		SCREW 11/64-40 L=4.5						4	
13		22790505		SENSOR SUPPORT SHAFT B						1	
14		SS5060410SP		SCREW 3/32-56 L=3.5						4	
15		SS6060220SP		SCREW 3/32-56 L=2.0						4	
16		RE0500000K0		E-RING						2	
17		40038744		VERTICAL FITTING BASIS ASM.						1	
18		21353701		VERTICAL FITTING BASIS					*	1	
19	R	SS8110510SP	SS8110520TP	SCREW 11/64-40 L=5					*	2	1.00
20		21354006		THREAD CUTTING DRIVING PLATE					*	1	
21		10116804		SHAFT					*	1	
22		40119280		THREAD CUTTING ROLLER ARM ASM.					*	1	
23		40104369		CAM ROLLER SHAFT					*	1	
24		D2430555B00		SNAP RING					*	1	
25	R	40104368	21353750	THREAD CUTTING ROLLER ARM		A	LU		*	1	1.00
25	R	40104368	40038744	THREAD CUTTING ROLLER ARM		B	PLC		*	1	1.00
26		21440508		THREAD TRIMMER CAM ROLLER					*	2	
27		CS070081BSH		THRUST COLLAR ASM. D=7 W=8					*	1	
28		CS0700811SH		THRUST COLLAR D=7 W=8					*	1	
29	R	SS8110510SP	SS8110520TP	SCREW 11/64-40 L=5					*	2	1.00
30		SS6151812TP		SCREW 15/64-28 L=18						2	
31		40039262		CONNECTING ROD						4	
32		21354204		STOPPING PLATE						2	
33		SD0640325SP		HINGE SCREW						1	
34		SS9111010SP		SCREW 11/64-40 L=9.5						4	
35		SD0640601SP		HINGE SCREW D=6.35 H=6.0						1	
36		40038983		ROCKING ARM						2	
37		SS6121610TP		SCREW 3/16-28 L=15.5						2	
38		40038745		THREAD CUTTING CAM						1	
39		SS8660612TP		SCREW 1/4-40 L=6						2	
40		SD0640482SP		HINGE SCREW D=6.35 H=4.8						1	
41		21355102		THREAD CUTTING SOLENOID						1	
42		21354600		SOLENOID FITTING PLATE						1	
43		SS6151040SP		SCREW 15/64-28 L=10						2	
44		SM6040802TP		SCREW M4X0.7 L=8						2	
45		21354709		SOLENOID CONNECTING PLATE						1	

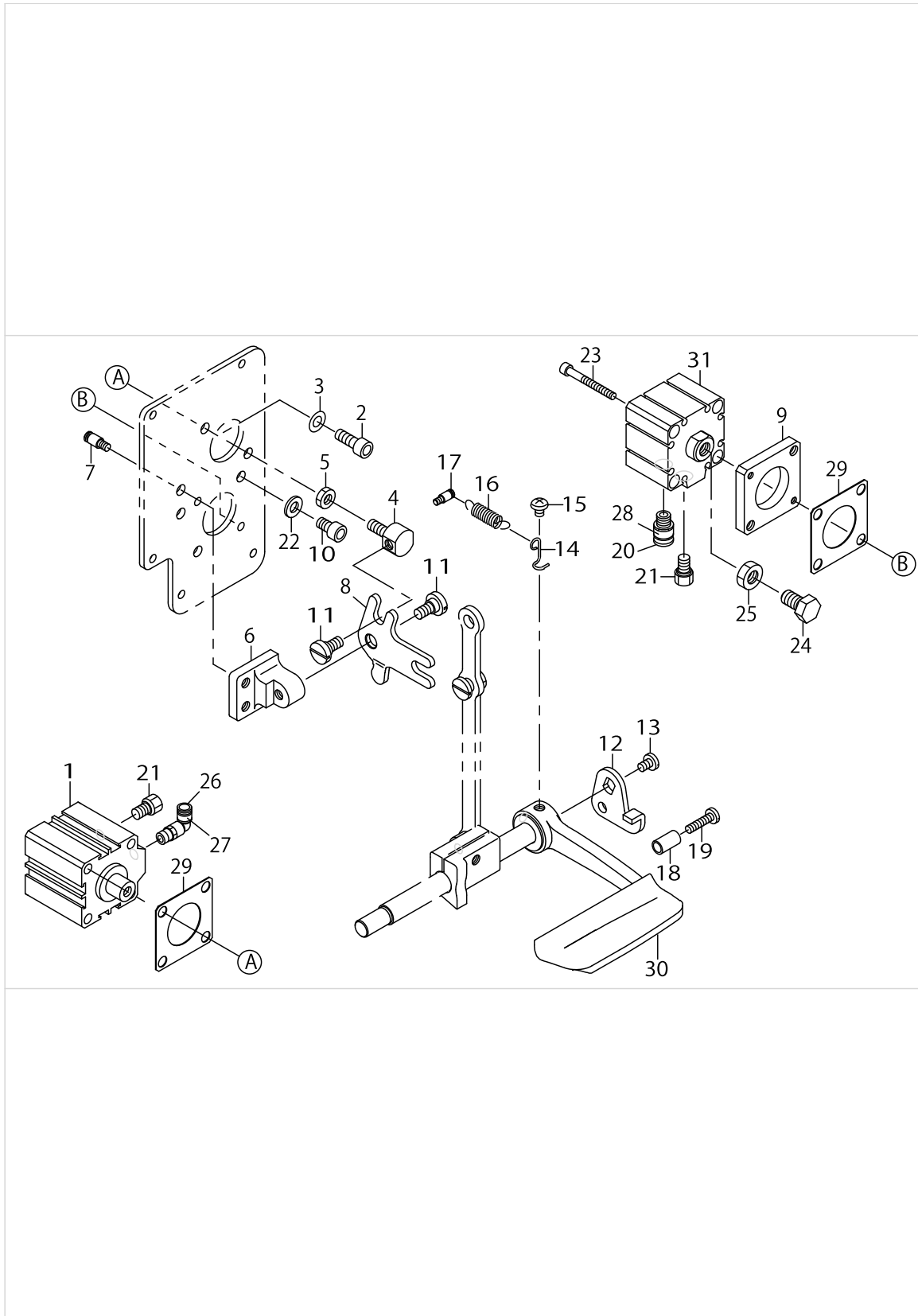
THREAD CUTTING COMPONENTS (FOR PLC-1760-7)



THREAD CUTTING COMPONENTS (FOR PLC-1760-7)

No.	Supply Code	Parts No.	Replacement	Parts name	Remarks	Choice	Step	Level	Cons	Qty	Rep. QTY
46		SS6110710TP		SCREW 11/64-40 L=6.5						2	
47		HK03464000B		PIN CONTACT						2	
48		D2112555B00		CORD HOLDER LARGE						1	
49		SM6061002TP		SCREW M6 L=10						1	
50		WP0651056SD		WASHER 6.5X11X1						2	
51		WS0610002KP		SPRING WASHER						2	
52		SD0640325SP		HINGE SCREW						1	
53		EA9500B0100		CABLE BAND						1	
54		WP0501016SD		WASHER 5X10.5X1						4	

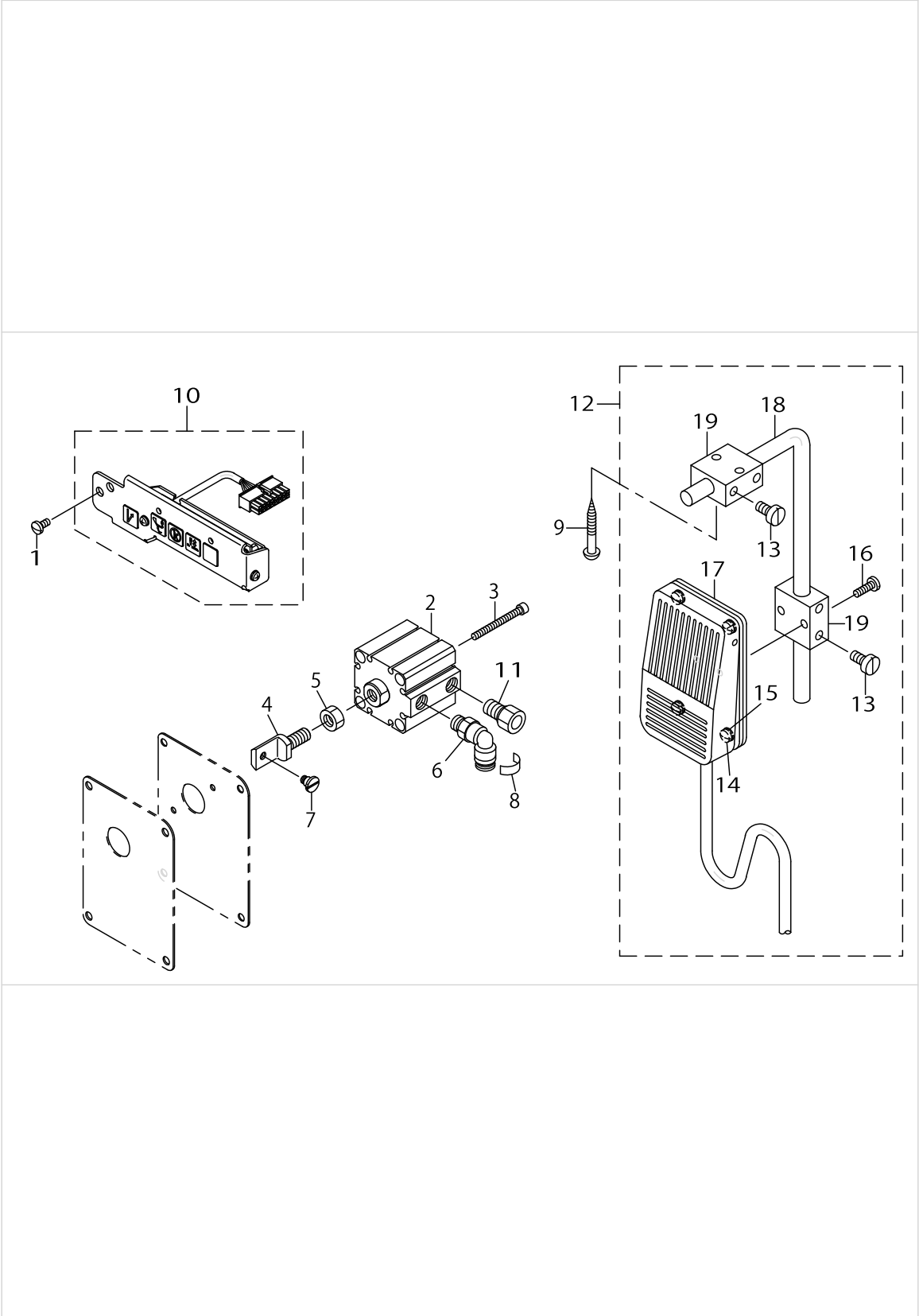
AUTOMATIC BACK & CONDENSATION DEVICE COMPONENTS



AUTOMATIC BACK & CONDENSATION DEVICE COMPONENTS

No.	Supply Code	Parts No.	Replacement	Parts name	Remarks	Choice	Step	Level	Cons	Qty	Rep. QTY
1		PA320150200		JIG CYLINDER						1	
2		SM6061602TP		SCREW M6 L=16						2	
3		WP0641601SD		WASHER M6						2	
4		21348602		CYLINDER CONNECTING SCREW						1	
5		NM6060003SC		NUT M6						1	
6		21348503		FITTING BASE						1	
7		SS7151210SP		SCREW15/64-28L=12						2	
8		21398300		BACKWARD FEED LINK						1	
9		21398409		CYLINDER FITTING BASE						1	
10		SM6061002TP		SCREW M6 L=10						2	
11		SD0800352SP		HINGE SCREW D=8 H=3.5						2	
12		22656102		REVERSE FEED LINK (1)						1	
13		SS7120760SP		SCREW 3/16-28 L=7.0						1	
14		22656003		SPRINGSUSPENSION						1	
15		SS4120615SP		SCREW 3/16-28 L=6						1	
16		26226209		SPRING						1	
17		40023289		SPRINGSUSPENSION						1	
18		22952501		BACK LEVER STOPPER						1	
19		SS7111810TP		SCREW11/64-40L=18						1	
20		PJ301065104		HALF UNION						1	
21		PX015101000		MUFFLER						2	
22		WP0641601SD		WASHER M6						2	
23		SM6043552TN		SCREW M4 L=35						2	
24		21398508		CYLINDER SCREW						1	
25		NM6080003SC		NUT M8						1	
26		PJ304065101		ELBOW UNION 6XPT1/8						1	
27		HX002950000		WIRE MARK (1)						1	
28		HX00295000D		WIRE MARK (5)						1	
29		21349105		CYLINDER PACKING						2	
30		21388004		REVERSE FEED ROCK SHAFT						1	
31		PA320100300		JIG CYLINDER						1	

DL MECHANISM COMPONENTS

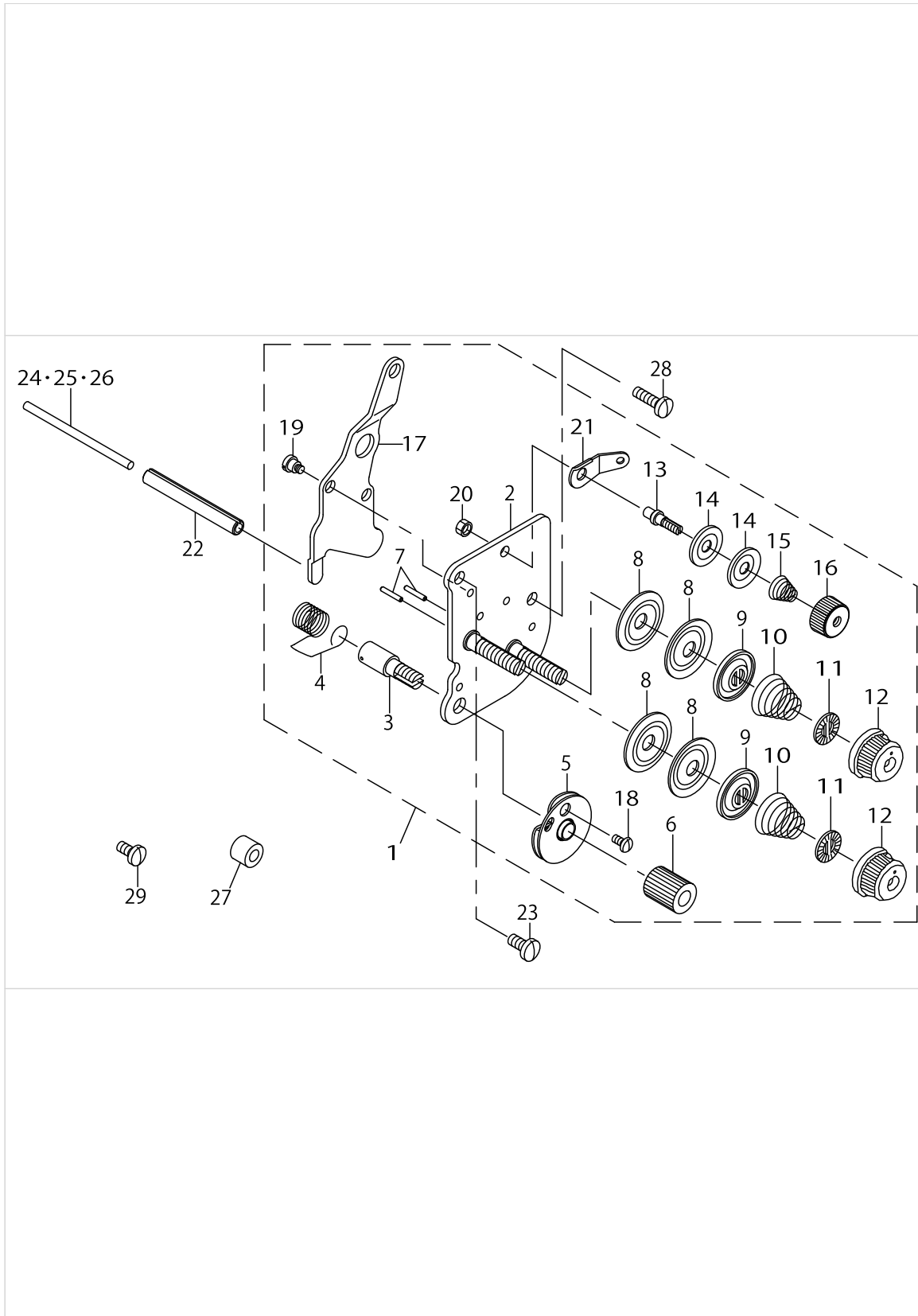


DL MECHANISM COMPONENTS

No.	Supply Code	Parts No.	Replacement	Parts name	Remarks	Choice	Step	Level	Cons	Qty	Rep. QTY
1		SS7110840SP		SCREW 11/64-40 L=7.8						2	
2		PA320200100		JIG CYLINDER						1	
3		SM6044002TP		SCREW						2	
4		21438403		CYLYNDER CONNECTING SCREW						1	
5		NM6080721SE		NUT M8						1	
6		PJ304065101		ELBOW UNION 6XPT1/8						1	
7		SD0600403TP		HINGE SCREW						1	
8		HX00295000C		WIRE MARK(4)						1	
9	R	SK3514000SC	SK3514001SE	WOOD SCREW D=5.1 L=40						2	1.00
10		40102062		5RANGE SWITCH ASM.						1	
11		PX015101000		MUFFLER						1	
12		40025036		KNEE SWITCH ASM.						1	
13		SS6151220SP		SCREW 15/64-28 L=11.5				*		4	
14		SS7110710SL		SCREW 11/64-40 L=7.0				*		4	
15		WP0480856SP		WASHER 4.8X8.4X0.8				*		4	
16	R	SS7111410SP	SS7111410TP	SCREW11/64-40L=14				*		2	1.00
17		40025035		KNEE SWITCH ASM.				*		1	
18		MAT80231T00		DRIVING BAR T002				*		1	
19		MAT80230T00		KNEE SWITCH SUPPORT BASE				*		2	



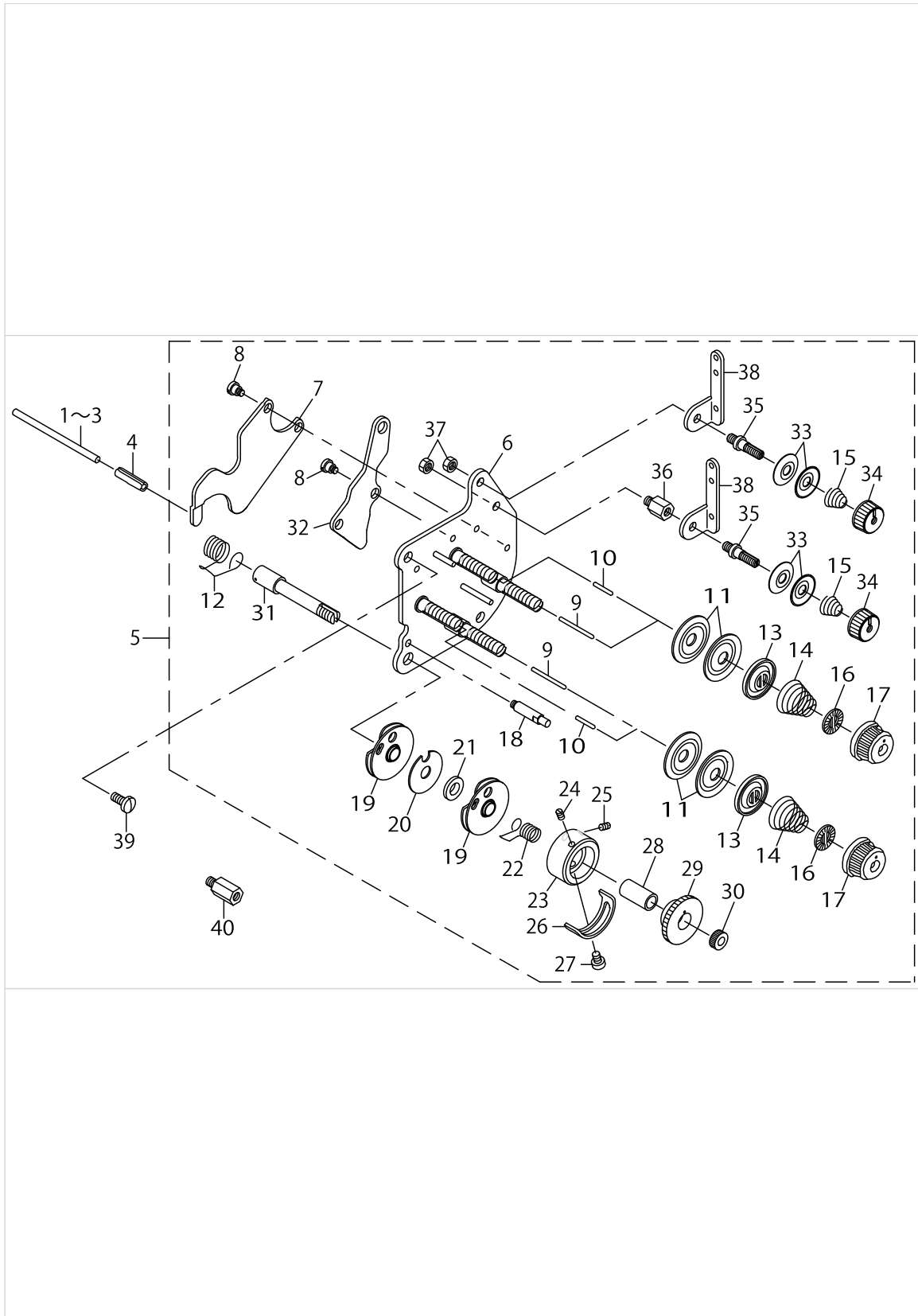
THREAD TENSION COMPONENTS (FOR PLC-1710-7)



THREAD TENSION COMPONENTS (FOR PLC-1710-7)

No.	Supply Code	Parts No.	Replacement	Parts name	Remarks	Choice	Step	Level	Cons	Qty	Rep. QTY
1		40039837		THREAD TENSION ASM.						1	
2		21441050		TENSION POST COMPL.				*		1	
3		10320109		SCREW STUD				*		1	
4		B3128051000		THREAD TAKE-UP SPRING A				*		1	
5		B31370510A0		TAKE-UP SPRING GUIDE DISC ASM.				*		1	
6		10320208		THREAD TENSION STUD NUT				*		1	
7		22618201		TENSION RELEASE PIN A				*	☆	2	
8		13138201		THREAD TENSION DISK				*		4	
9		22617906		THREAD TENSION DISK PRESSER				*		2	
10		B3129526000		TENSIONSPRING(1.2)				*		2	
11		B3120125000		ROTATING STOPPER				*		2	
12		11956802		THREAD TENSION KNOB BLUE				*		2	
13		10124204		THREAD TENSION POST A				*		1	
14		10741106		FIRST THREAD TENSION PLATE				*		2	
15		11045101		THREAD TENSION SPRING				*		1	
16		11072402		THREAD TENSION NUT				*		1	
17		21441100		TENSION RELEASE PLATE				*		1	
18	R	SS4080610SP	SS4080620TP	SCREW 1/8-44 L=6.4				*		1	1.00
19		SD0470281SP		HINGE SCREW D=4.7 H=2.8				*		2	
20		NS6110310SP		NUT 11/64-40				*		1	
21		D3162555B00		THREAD GUIDE				*		1	
22		PS0600502KP		SPRING PIN						1	
23		SS7110910TP		SCREW 11/64-40 L=8.5						1	
24		21348206		TENSION RELEASE BAR	SELECTIVE PARTS					1	
25		10321107		TENSION RELEASE BAR	SELECTIVE PARTS					1	
26		23006406		TENSION RELEASE BAR	SELECTIVE PARTS					1	
27		11315108		COLLAR						1	
28		SS7111410TP		SCREW 11/64-40 L=14						1	
29		SS7110830SP		SCREW 11/64-40 L=7.5						1	

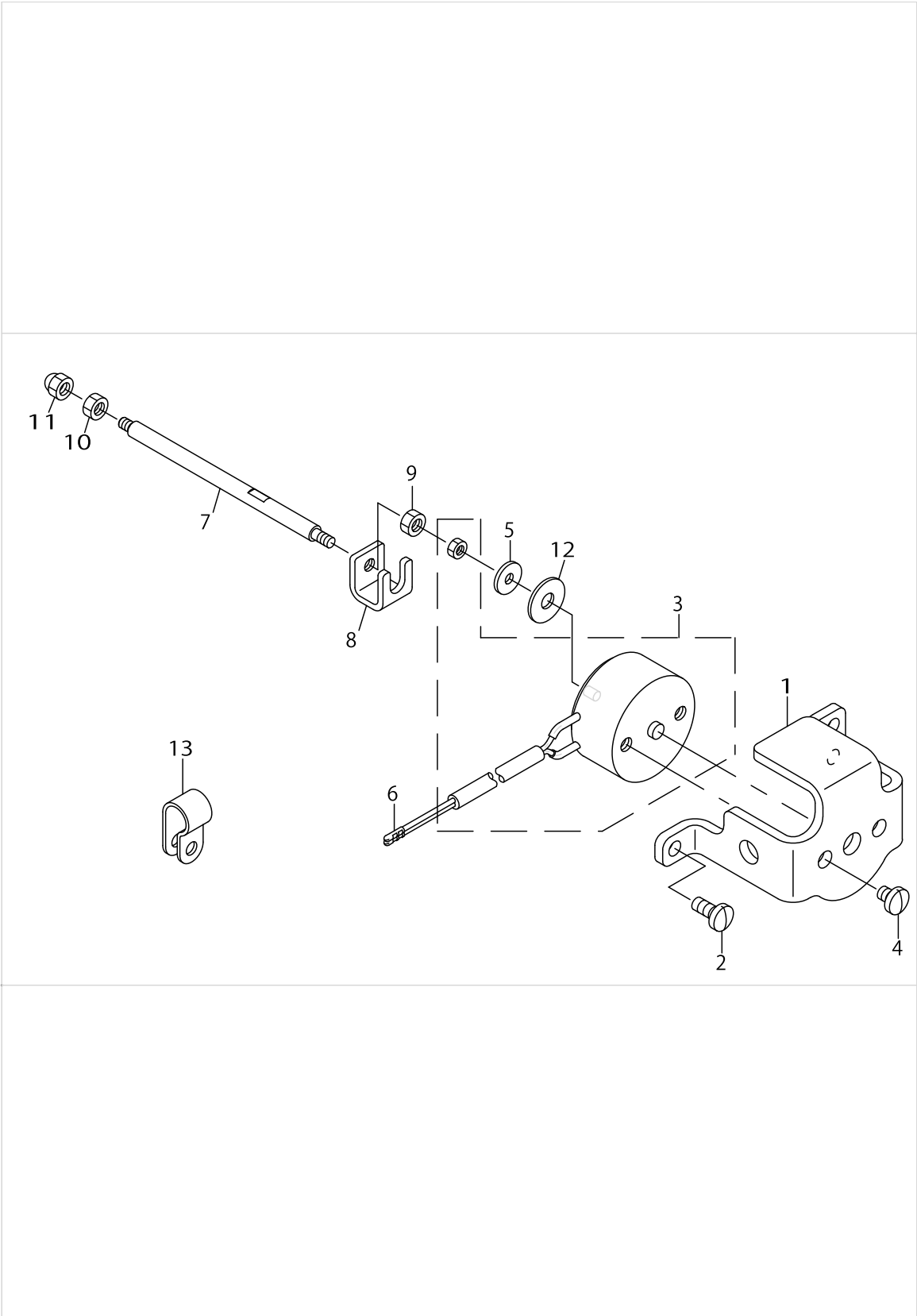
THREAD TENSION COMPONENTS (FOR PLC-1760-7)



THREAD TENSION COMPONENTS (FOR PLC-1760-7)

No.	Supply Code	Parts No.	Replacement	Parts name	Remarks	Choice	Step	Level	Cons	Qty	Rep. QTY
1		23006406		TENSION RELEASE BAR	SELECTIVE PARTS					1	
2		21348206		TENSION RELEASE BAR	SELECTIVE PARTS					1	
3		10321107		TENSION RELEASE BAR	SELECTIVE PARTS					1	
4		PS0600502KP		SPRING PIN						1	
5		40039263		THREAD TENSION ASM.						1	
6		40017280		THREAD TENSION BASE COMPL.				*		1	
7	R	40017283	40039263	TENSION RELEASE LEVER A		A	通常/Except 60L	*		1	1.00
7	R	40017283	40039264	TENSION RELEASE LEVER A		B	60L	*		1	1.00
8		SD0470281SP		HINGE SCREW D=4.7 H=2.8				*		4	
9		40017282		TENSION RELEASE PIN B				*		2	
10		22618201		TENSION RELEASE PIN A				*		2	
11		13138201		THREAD TENSION DISK				*		8	
12		B3128051000		THREAD TAKE-UP SPRING A				*	☆	1	
13		22617906		THREAD TENSION DISK PRESSER				*		4	
14		B3129526000		TENSIONSPrING(1.2)				*		4	
15		11045101		THREAD TENSION SPRING				*		2	
16		B3120125000		ROTATING STOPPER				*		4	
17		11956802		THREAD TENSION KNOB BLUE				*		4	
18		B3143527000		TAKE-UP SPRING GUIDE STUD				*		1	
19		B31375270A0		TAKE-UP SPRING GUIDE ASM.				*		2	
20		B3142527000		TAKE-UP SPRING GUIDE PLATE				*		1	
21		B3139527000		COLLAR				*		1	
22		B3128527000		THREAD TAKE-UP SPRING B				*	☆	1	
23		22617609		THREAD TENSION POST				*		1	
24	R	22618904	SM8030500SP	SET SCREW				*		1	1.00
25	R	22618904	SM8030500SP	SET SCREW				*		1	1.00
26		B3138527000		ADJUSTING PLATE B				*		1	
27	R	SS7090520SP	SS7090520TP	SCREW 9/64-40 L=4.5				*		1	1.00
28		B3141527000		PRESSER COLLAR				*		1	
29		B3125527000		TAKE-UP SPRING GUIDE				*		1	
30	R	B3125012000	22928808	THREAD TENSION NUT				*		1	1.00
31		10124501		THREAD TAKE-UP SPRING STUD				*		1	
32		40017284		TENSION RELEASE LEVER B				*		1	
33		10741106		FIRST THREAD TENSION PLATE				*		4	
34		11072402		THREAD TENSION NUT				*		2	
35		10124204		THREAD TENSION POST A				*		2	
36		40017279		SPACER				*		1	
37		NS6110310SP		NUT 11/64-40				*		2	
38		10703205		FIRST THREAD TENSION GUIDE				*		2	
39		SS7110910TP		SCREW 11/64-40 L=7				*		2	
40		40038752		THREAD TENSION STUD				*		1	

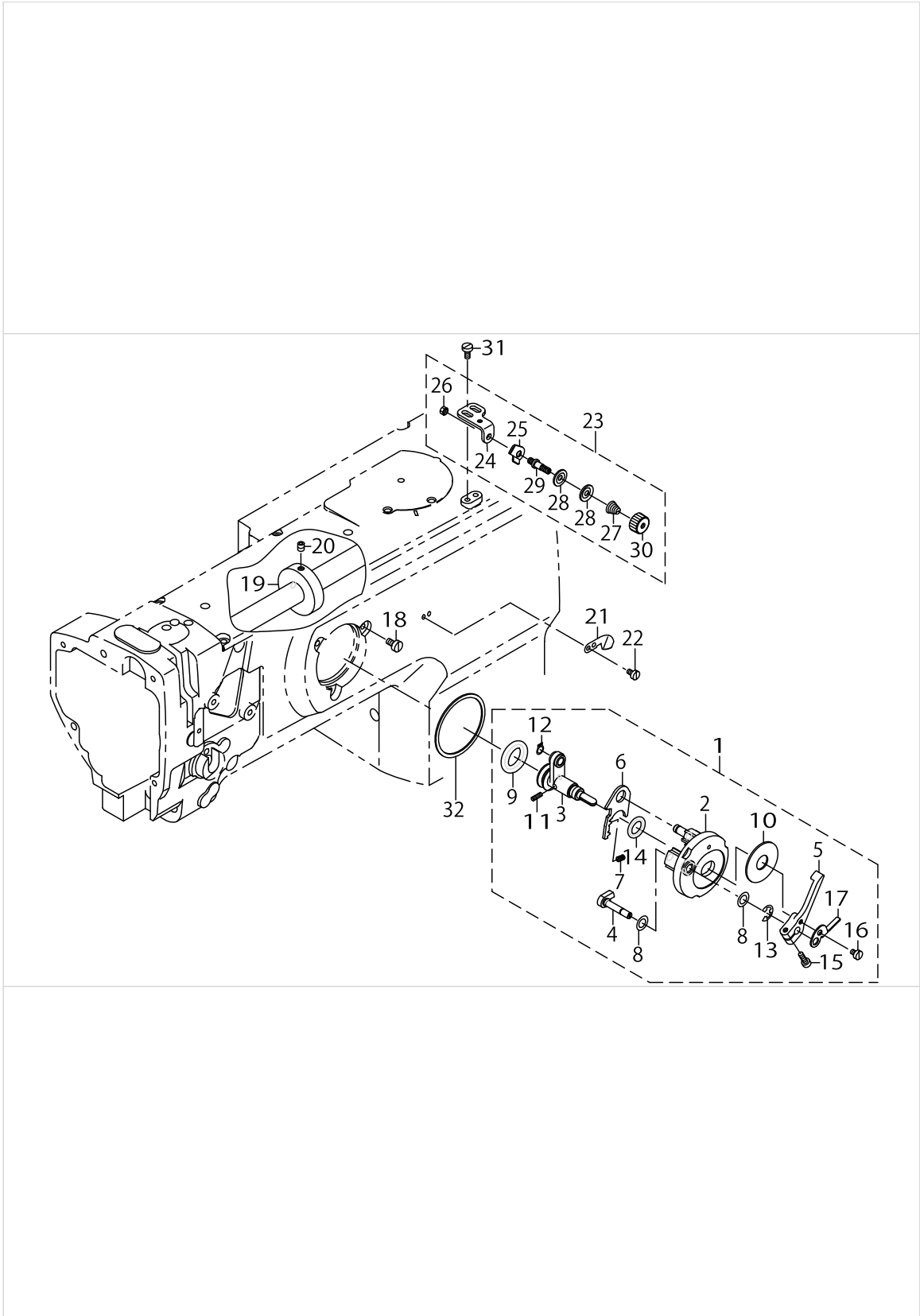
THREAD RELEASE COMPONENTS



THREAD RELEASE COMPONENTS

No.	Supply Code	Parts No.	Replacement	Parts name	Remarks	Choice	Step	Level	Cons	Qty	Rep. QTY
1		21441407		SOLENOID INSTALLING PLATE						1	
2		SS7110910TP		SCREW 11/64-40 L=8.5						3	
3		21363106		TENSION RELEASE SOLENOID						1	
4		SS7110570SP		SCREW 11/64-40 L=4.8						2	
5		40062388		WASHER						1	
6		HK03464000B		PIN CONTACT						2	
7		21441209		TENSION RELEASE BAR						1	
8		21441308		COUPLING						1	
9		NM6040001SN		NUT M4X0.7						1	
10		NM6040001SN		NUT M4X0.7						1	
11		NM7040062SB		NUT M4						1	
12		WP0501046SC		WASHER 5X14X1						1	
13		HX00123000A		CABLE CLIP						1	

LOWER THREAD WINDER MECHANISM COMPONENTS

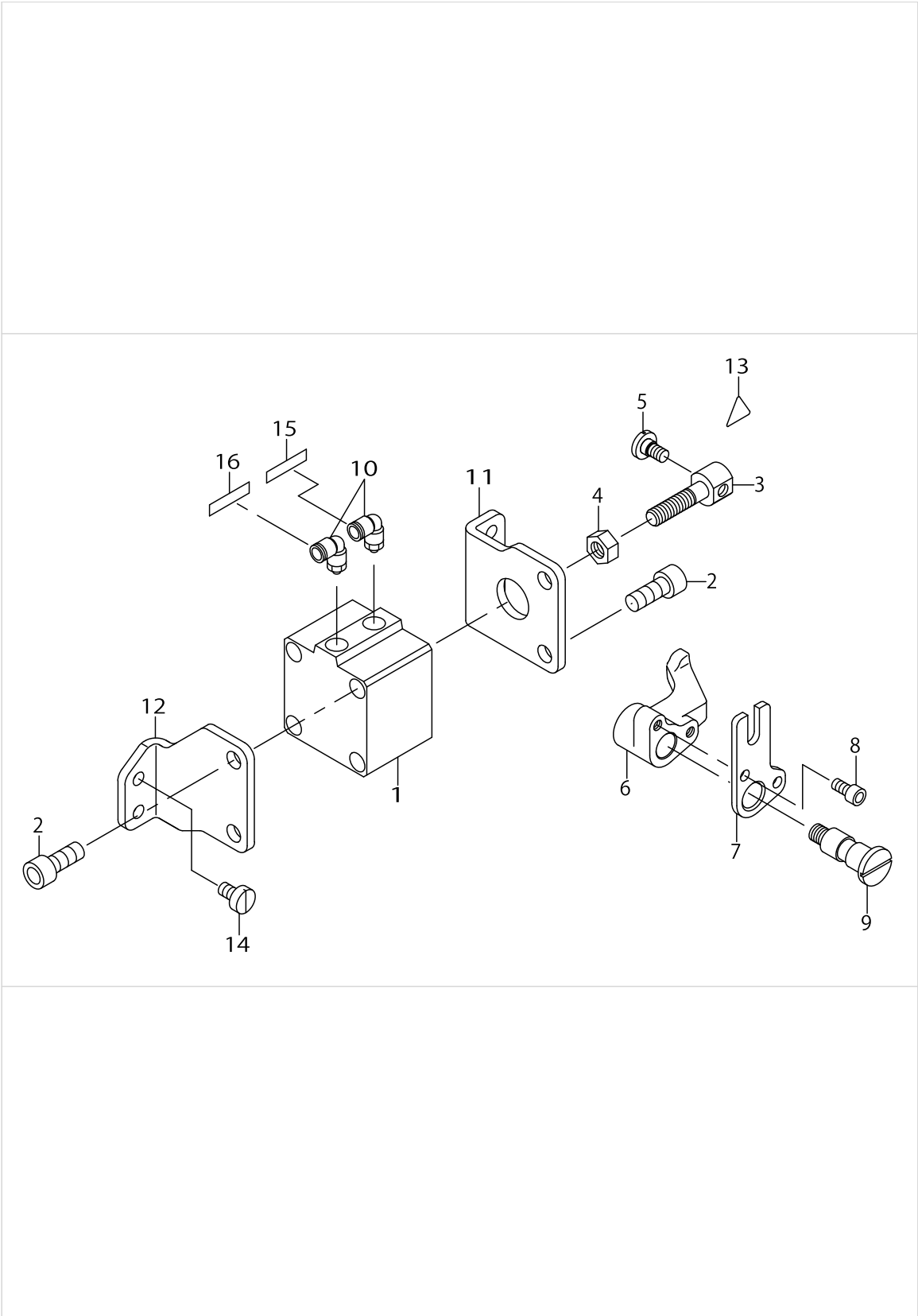


LOWER THREAD WINDER MECHANISM COMPONENTS

No.	Supply Code	Parts No.	Replacement	Parts name	Remarks	Choice	Step	Level	Cons	Qty	Rep. QTY
1		21357967		BOBBIN DEVICE ASM.						1	
2		22537658		BOBBIN FITTING BASIS COMPL.				*		1	
3		21357959		BOBIN SHAFT COMPL.				*		1	
4		22538151		BOBBIN CAM SHAFT COMPL.				*		1	
5		23636202		BOBBIN LEVER				*		1	
6		21356001		ADJUSTING PLATE				*		1	
7		B152989000CA		PRESSUR FOOT SPRING				*		1	
8		10618304		VERTICAL ROLLER WASHER				*		2	
9		21358205		RUBBER RING				*		1	
10		B3205210000		CUSHION				*		1	
11	R	B1148555000	22912109	SPRING				*		1	1.00
12		RC0560711KP		RETAINING RING				*		1	
13		RE0500000K0		E-RING				*		1	
14		RO092270200		RUBBER RING				*		1	
15		SS7091410SP		SCREW 9/64-40 L=13.5				*		1	
16		SS6090520SP		SCREW 9/64-40 L=5.0				*		1	
17		14512503		BOBBIN ADJUSTING PLATE				*		1	
18		SS6110810TP		SCREW 11/64-40 L=8						3	
19		10704807		BOBBIN FRICTION WHEEL						1	
20		SM8050602TP		SCREW M5 L=6						2	
21		10502300		THREAD CUTTER						1	
22		SS6090620TP		SCREW						2	
23		21355755		LOWER THREAD GUIDE ASM.						1	
24	R	21355706	21355755	FITTING BASE				*		1	1.00
25		D3162555B00		THREAD GUIDE				*		1	
26		NS6110310SP		NUT 11/64-40				*		1	
27		D3168555H0B		TENSION SPRING NO.1				*		1	
28		40113092		THREAD TENSION DISK				*		2	
29	R	21378708	21355755	THREAD TENSION POST				*		1	1.00
30		11072402		THREAD TENSION NUT				*		1	
31		SM6040800SP		SCREW						2	
32		22538706		PACKING						1	



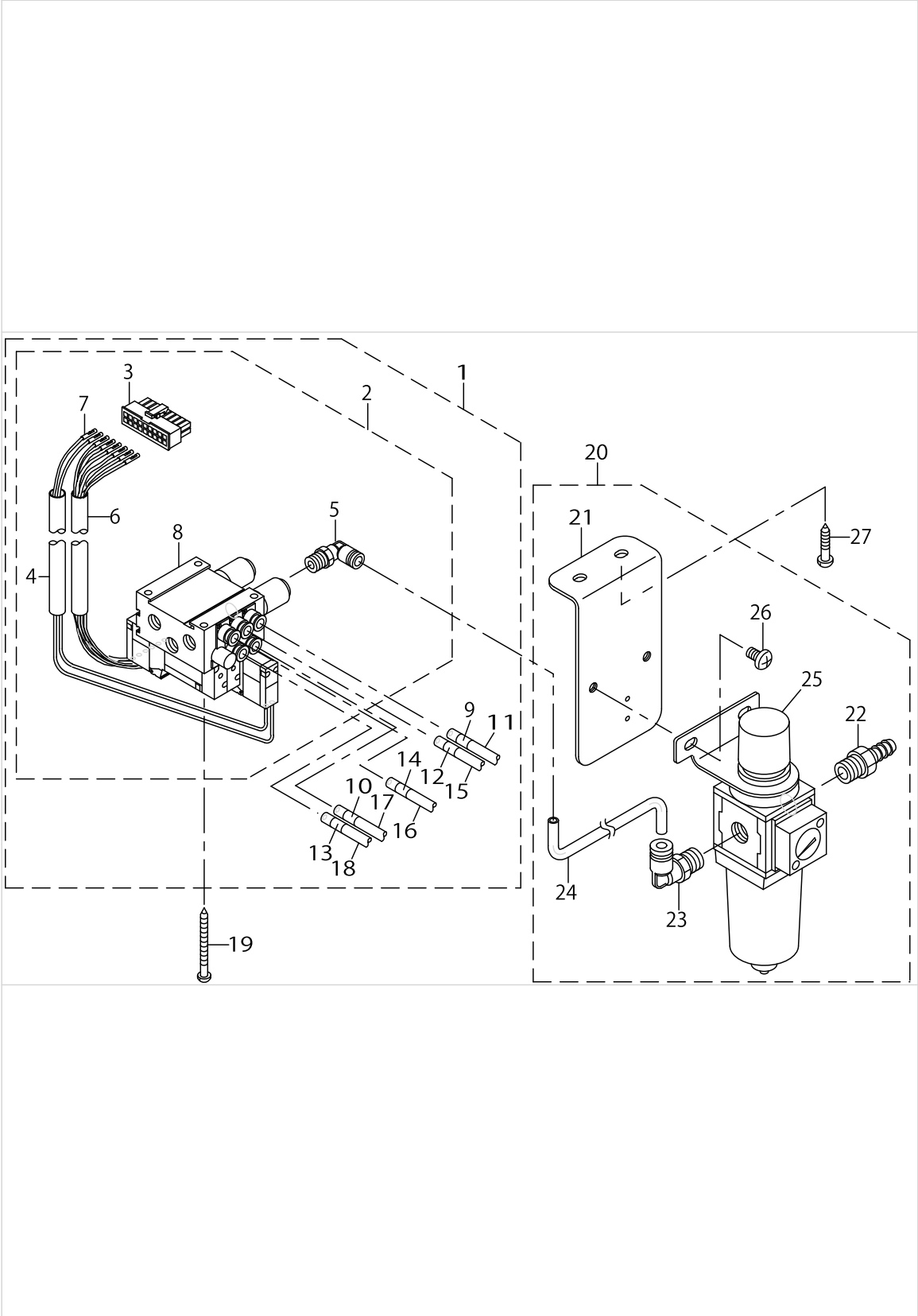
AUTOMATIC PRESSER LIFTING MECHANISM COMPONENTS



AUTOMATIC PRESSER LIFTING MECHANISM COMPONENTS

No.	Supply Code	Parts No.	Replacement	Parts name	Remarks	Choice	Step	Level	Cons	Qty	Rep. QTY
1		PA400150100		AIR CYLINDER						1	
2		SM6082002TP		SCREW M8 L=20						4	
3		21356506		CYLINDER CONNECTING SCREW						1	
4		NM6080001SE		NUT M8						1	
5		SD0720331SP		HINGE SCREW D=7.24 H=3.3						1	
6		21388509		PRESSER LIFTER LEVER A						1	
7		21356803		PRESSER LIFTER LEVER B						1	
8		SM6051002TP		SCREW M5X0.8 L=10						2	
9		21356704		SHAFT						1	
10		PJ304065101		ELBOW UNION 6XPT1/8						2	
11		21356308		CYLINDER STAY(FRONT)						1	
12		21356407		CYLINDER STAY(REAR)						1	
13		CM300200001		ATTENTION SEAL 16						1	
14		SS6151040SP		SCREW15/64-28L=10						4	
15		HX00295000A		WIRE MARK(2)						1	
16		HX00295000B		WIRE MARK(3)						1	

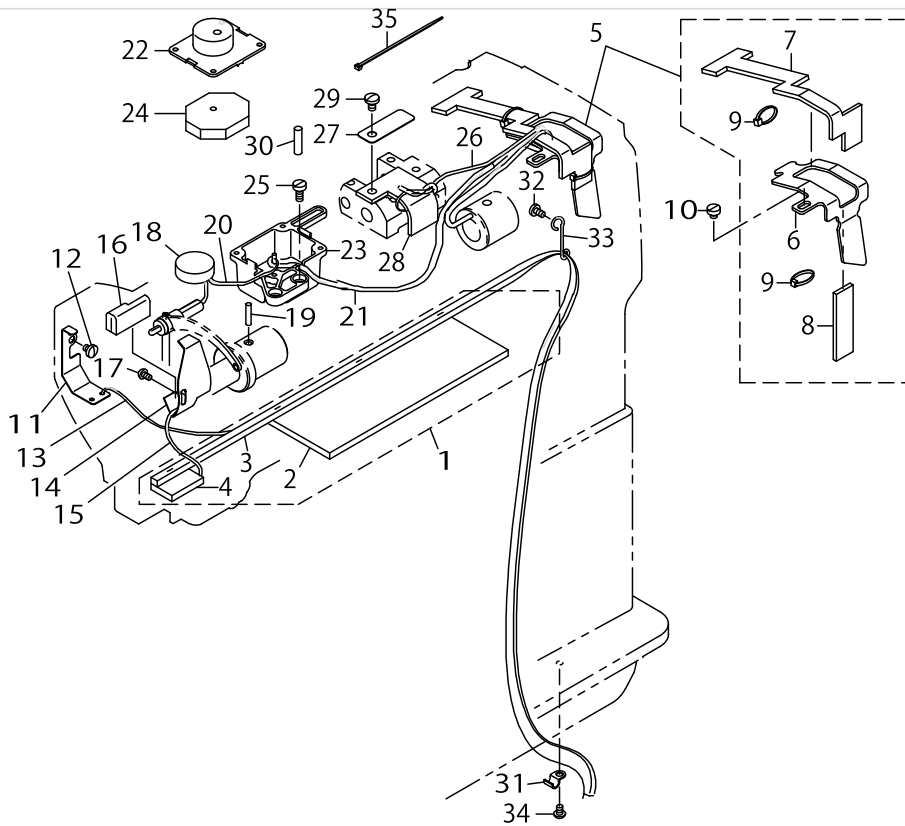
AIR MECHANISM COMPONENTS



AIR MECHANISM COMPONENTS

No.	Supply Code	Parts No.	Replacement	Parts name	Remarks	Choice	Step	Level	Cons	Qty	Rep. QTY
1		40103001		AIR APPARATUS(M)ASM.						1	
2		40103000		ELECTROMAGNETIC VALVE (M) ASM.				*		1	
3		HK034610180		CONNECTOR				*		1	
4		GAKA1503000		INSULATION TUBE				*		0.2	
5		GAK29010000		ELBOW B				*		1	
6		GAKA1503000		INSULATION TUBE				*		0.2	
7		HK03464000A		TERMINAL FEMALE				*		8	
8		40038717		ELECTROMAGNETIC VALVE(M)				*		1	
9		HX002950000		WIRE MARK(1)				*		4	
10		HX00295000D		WIRE MARK(5)				*		4	
11		BT0600401EB		TUBE				*		1.3	
12		HX00295000A		WIRE MARK(2)				*		4	
13		HX00295000B		WIRE MARK(3)				*		4	
14		HX00295000C		WIRE MARK(4)				*		4	
15		BT0600401EB		TUBE				*		1.3	
16		BT0600401EB		TUBE				*		1.3	
17		BT0600401EB		TUBE				*		1.3	
18		BT0600401EB		TUBE				*		1.3	
19		SK3385001SE		WOOD SCREW D=3.8 L=50						4	
20		40038722		FILTER REGULATOR ASM.						1	
21		40038723		REGULATOR FITTING PLATE				*		1	
22		GAK29011000		NIPPLE				*		1	
23		GAK29009000		ELBOW				*		1	
24		BT0600401EB		TUBE				*		0.15	
25		PF0552170A0		FILTER REGULATOR				*		1	
26		SM4061001SB		SCREW M6 L=10				*		2	
27		SK3482501SE		WOOD SCREW D=4.8 L=25						2	

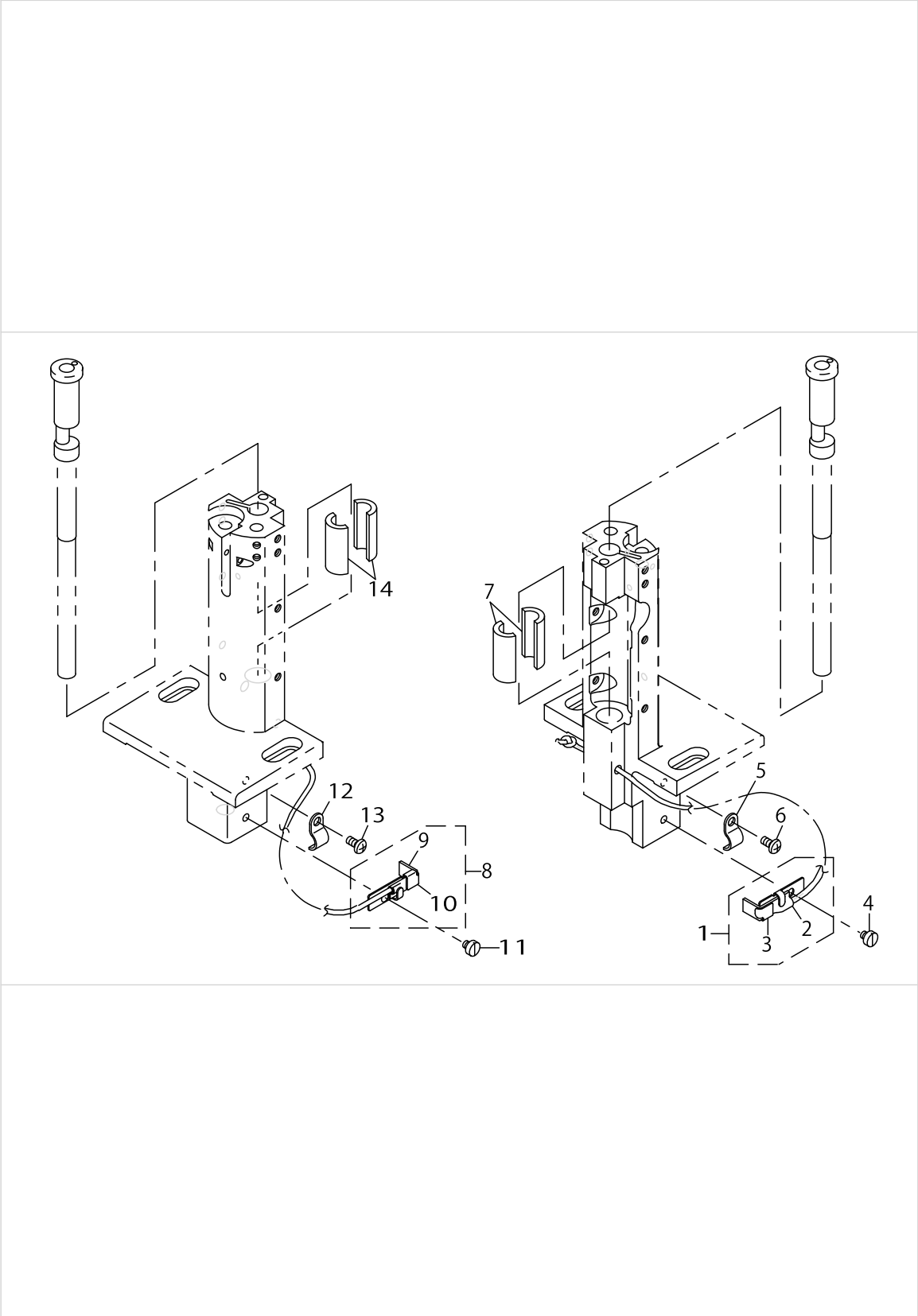
LUBRICATION COMPONENTS (FOR ARM)



LUBRICATION COMPONENTS (FOR ARM)

No.	Supply Code	Parts No.	Replacement	Parts name	Remarks	Choice	Step	Level	Cons	Qty	Rep. QTY
1		40042648		ARM ONCE THROUGH FELT ASM.						1	
2		21345707		ARM ONCE THROUGH FELT A				*		1	
3		40042647		ARM ONCE THROUGH FELT				*		1	
4		21345905		FACE ONCE THROUGH FELT				*		1	
5		21346358		FELT SUPPORT ASM.						1	
6		21346309		FELT SUPPORT				*		1	
7		21346507		FEED CHANGE FELT				*		1	
8		21346408		FELT				*		1	
9		EA9500B0000		CLIP CV-70S				*		2	
10		SS6110480SP		SCREW 11/64-40 L=4.3						1	
11		21340708		UPPER FEED OIL BAR PLATE						1	
12		SS7110510SP		SCREW 11/64-40 L=5						1	
13		CQ202000000		OIL WICK						.2	
14		21347000		TAKE-UP OIL PLATE						1	
15		CQ202000000		OIL WICK						.25	
16		21347208		TAKE-UP LUBRICATION FELT						1	
17		SS3090610SP		SCREW 9/64-40 L=6						1	
18		21346002		FELT						1	
19		B1412051000		FELT						1	
20		CQ252000000		OIL WICK						.55	
21		BT0500300EA		OIL TUBE						.17	
22		21407507		OIL TANK A						1	
23		21407606		OIL TANK B						1	
24		21407705		FELT						2	
25	R	SS6111010SP	SS6111010TP	SCREW 11/64-40 L=9.5						2	1.00
26		CQ202000000		OIL WICK						.15	
27		21346101		LUBRICATION FELT PRESSER						1	
28		21346200		MUTUAL VERTICAL CHANGE FELT						1	
29		SS7120760SP		SCREW 3/16-28 L=7.0						1	
30		PS0500202KP		SPRING PIN 5X20						1	
31		B3508512000		OIL FELT HOLDER						1	
32		SS7110710SP		SCREW 11/64-40 L=7						1	
33		22620504		OIL WICK HOLDER						1	
34		SS4110615SP		SCREW 11/64-40 L=6						1	
35		EA9500B0100		CABLE BAND						1	

LUBRICATION COMPONENTS (FOR HOOK SHAFT BASE)

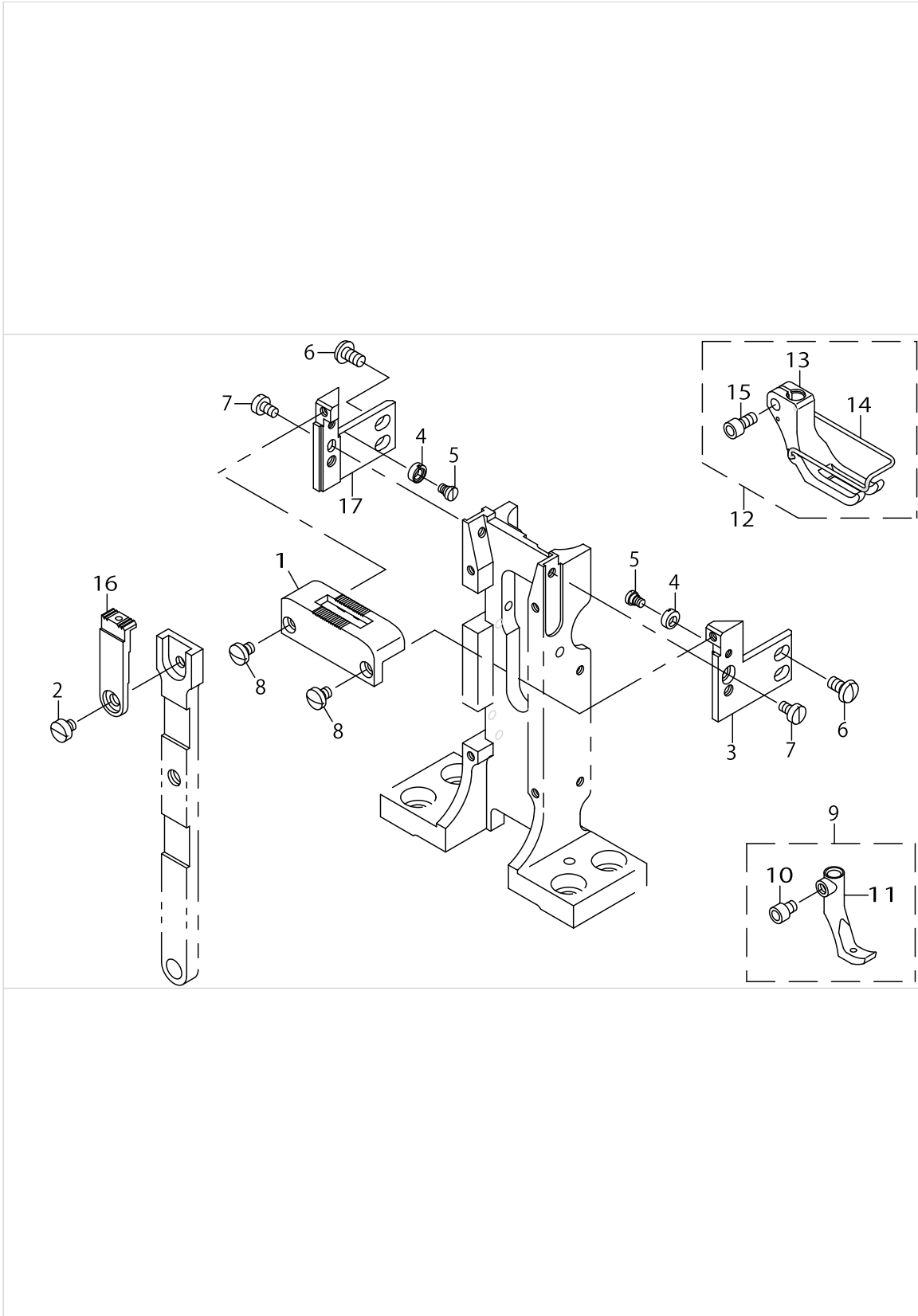


LUBRICATION COMPONENTS (FOR HOOK SHAFT BASE)

No.	Supply Code	Parts No.	Replacement	Parts name	Remarks	Choice	Step	Level	Cons	Qty	Rep. QTY
1		40038728		VILENE HOLDERASM.						1	
2		40038729		OIL WICK ASM.				*		1	
3		40038730		VILENE HOLDER				*		1	
4		SS6110480SP		SCREW 11/64-40 L=4.3						1	
5		D2611555B00A		CABLE HOLDER						1	
6		SS4110815SP		SCREW 11/64-40 L=8						1	
7		21345905		FACE ONCE THROUGH FELT						2	
8		40038728		VILENE HOLDERASM.	FOR PLC-1760-7					1	
9		40038729		OIL WICK ASM.				*		1	
10		40038730		VILENE HOLDER				*		1	
11		SS6110480SP		SCREW 11/64-40 L=4.3	FOR PLC-1760-7					1	
12		D2611555B00A		CABLE HOLDER	FOR PLC-1760-7					1	
13		SS4110815SP		SCREW 11/64-40 L=8	FOR PLC-1760-7					1	
14		21345905		FACE ONCE THROUGH FELT	FOR PLC-1760-7					2	



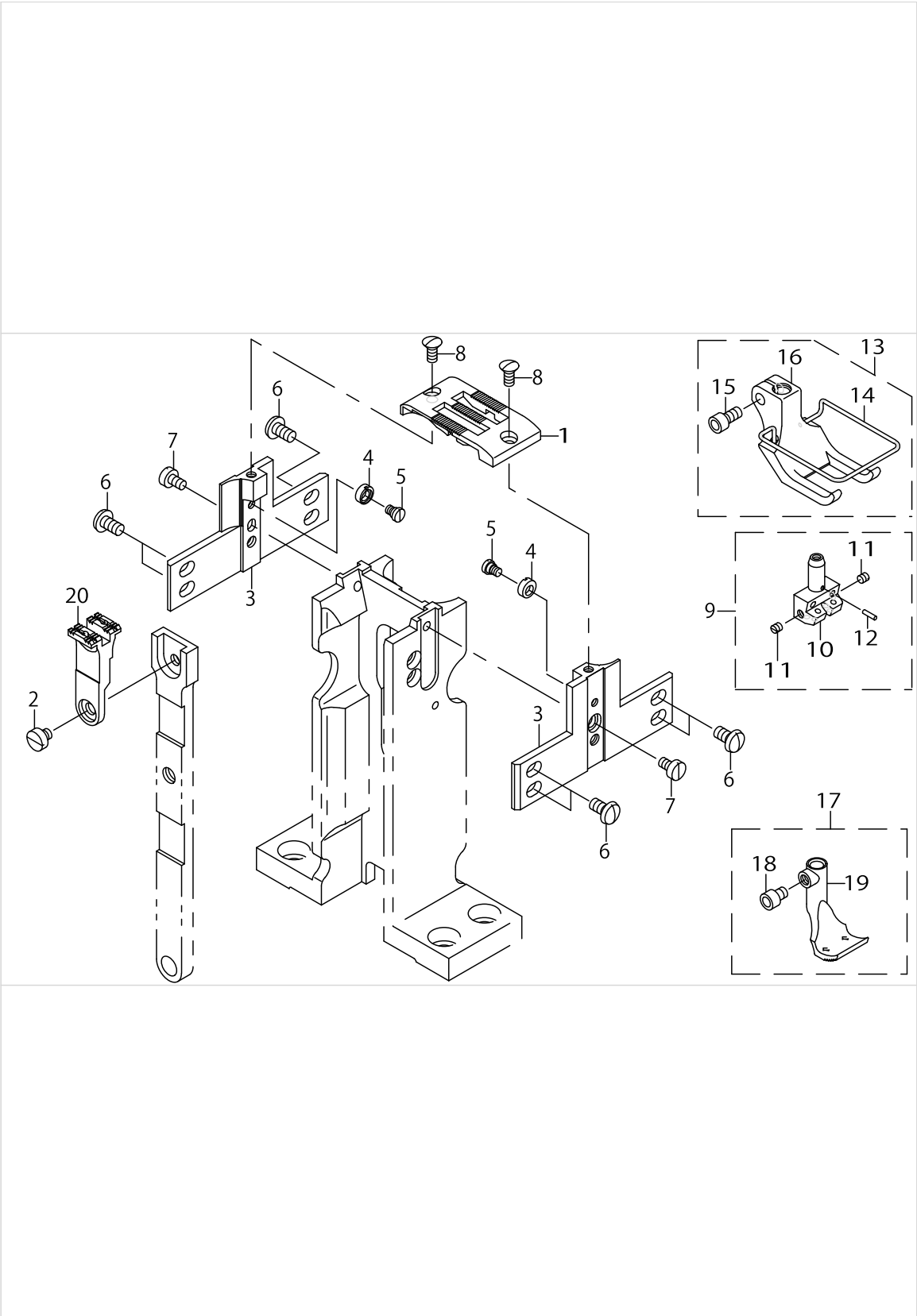
GAUGE COMPONENTS (STANDARD PARTS) (FOR PLC-1710-7)



GAUGE COMPONENTS (STANDARD PARTS) (FOR PLC-1710-7)

No.	Supply Code	Parts No.	Replacement	Parts name	Remarks	Choice	Step	Level	Cons	Qty	Rep. QTY
1		40038969		THROAT PLATE						1	
2		SS6110480SP		SCREW 11/64-40 L=4.3					☆	1	
3		40038974		THROAT PLATE HOLDER A						1	
4		23007503		ECCENTRIC ROLLER						2	
5		23007602		HINGE SCREW						2	
6		SS5110810SP		SCREW 11/64-40 L=8						4	
7	R	SS6090620SP	SS6090620TP	SCREW 9/64-40 L=6						2	1.00
8		SS7090530SP		SCREW 9/64-40 L=4.5					☆	2	
9		21444559		PRESSER INNER FOOT ASM.						1	
10		SM6040552TP		SCREW M4 L=4.5				*	☆	1	
11	R	21444500	21444559	PRESSER INNER FOOT				*		1	1.00
12		40017286		PRESSER FOOT ASM.						1	
13	R	40017287	40017286	PRESSER FOOT				*		1	1.00
14		10713402		FINGER AUXILIARY COVER				*		1	
15		SM6040802TP		SCREW M4X0.7 L=8				*	☆	1	
16		40038971		FEED						1	
17		40038977		THROAT PLATR HOLDER B						1	

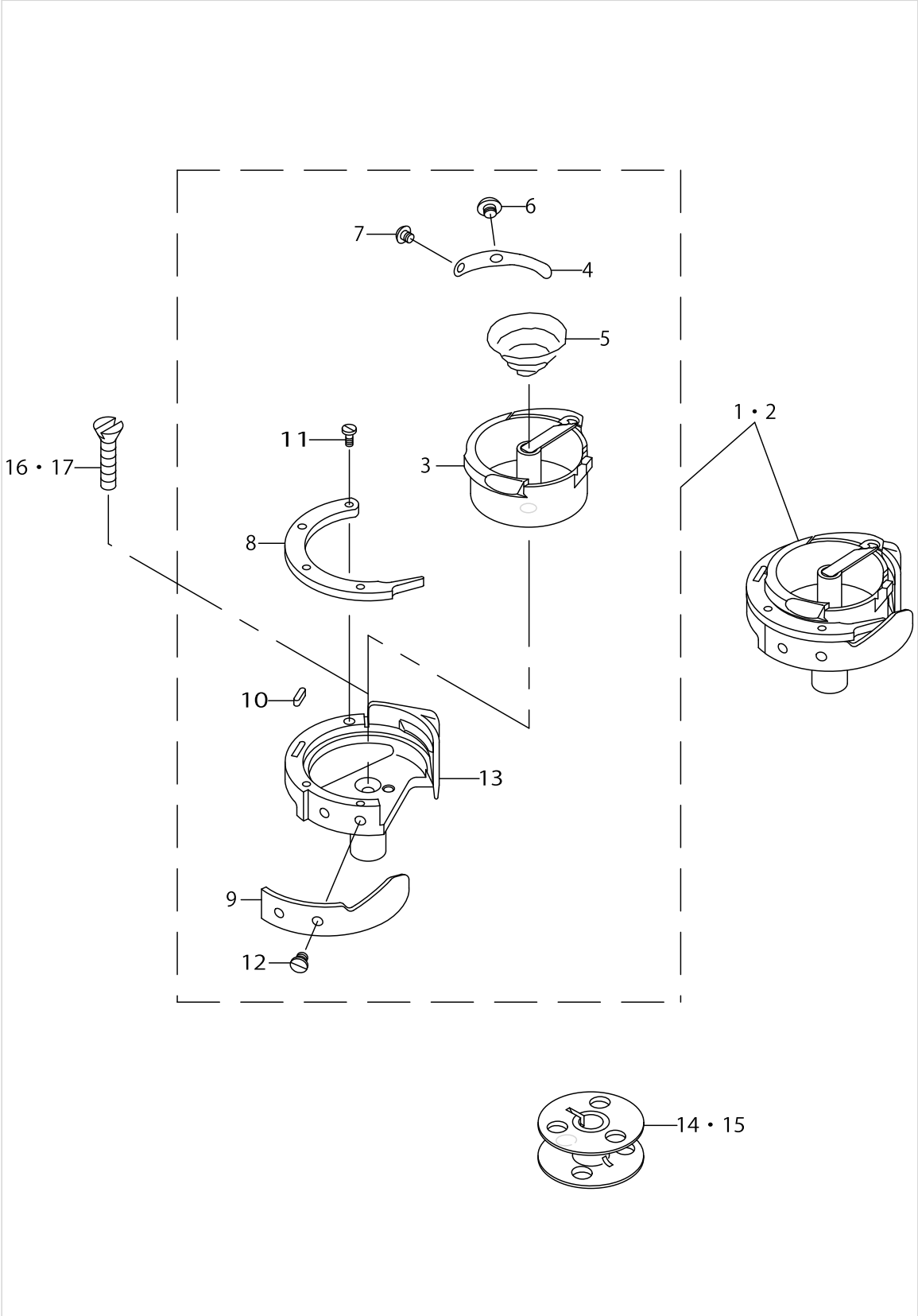
GAUGE COMPONENTS (STANDARD PARTS) (FOR PLC-1760-7)



GAUGE COMPONENTS (STANDARD PARTS) (FOR PLC-1760-7)

No.	Supply Code	Parts No.	Replacement	Parts name	Remarks	Choice	Step	Level	Cons	Qty	Rep. QTY
1		40038757		THROAT PLATE(10MM)						1	
2		SS6110480SP		SCREW 11/64-40 L=4.3					☆	1	
3		40038787		THROAT PLATE HOLDER(10MM)						2	
4		23007503		ECCENTRIC ROLLER						2	
5		23007602		HINGE SCREW						2	
6		SS5110810SP		SCREW 11/64-40 L=8						8	
7	R	SS6090620SP	SS6090620TP	SCREW 9/64-40 L=6						2	1.00
8		SS2090810SP		SCREW 9/64-40 L=7.5						2	
9		40038774		NEEDLE CLAMP(10MM)ASM.						1	
10	R	40038775	40038774	NEEDLE CLAMP(10MM)				*		1	1.00
11		SS8080310TP		SCREW 1/8-44 L=2.8				*	☆	2	
12		PS0150065KP		SPRING PIN 1.5X6				*		1	
13		40038795		PRESSER FOOT(10MM)ASM.						1	
14		40038794		FINGER GURDE(10-12MM)				*		1	
15		SM6040802TP		SCREW M4X0.7 L=8				*	☆	1	
16	R	40038796	40038795	PRESSER FOOT(10MM)				*		1	1.00
17		40038842		FEED FOOT(10MM)ASM.						1	
18		SM6040552TP		SCREW M4 L=4.5				*	☆	1	
19	R	40038843	40038842	FEED FOOT(10MM)				*		1	1.00
20		40038781		FEED(10MM)						1	

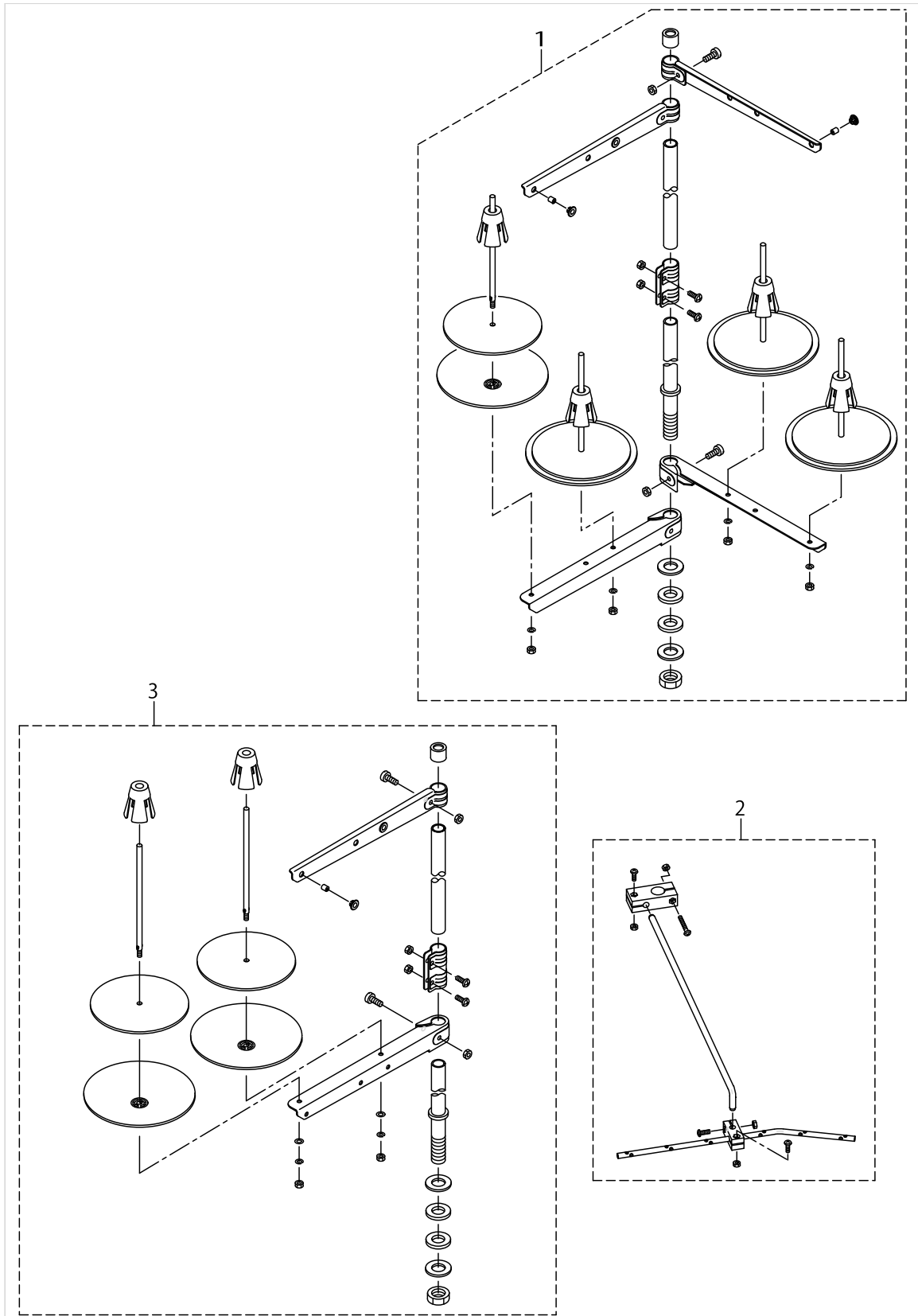
HOOK COMPONENTS



HOOK COMPONENTS

No.	Supply Code	Parts No.	Replacement	Parts name	Remarks	Choice	Step	Level	Cons	Qty	Rep. QTY
1		40038731		HOOK ASM.	FOR PLC-1710-7				☆	1	
2		40038731		HOOK ASM.	FOR PLC-1760-7				☆	2	
3		40038733		INNER HOOK				*		1	
4		40038734		TENSION SPRING				*		1	
5		10723500		IDLING PREVENTION SPRING				*	☆	1	
6		21432000		SCREW				*	☆	1	
7		10723401		TENSION SPRING SETSCREW				*	☆	1	
8		23026008		INNER HOOK PRESSER WITH HORN				*		1	
9		23058506		NEEDLE GUARD				*		1	
10		23026404		FELT				*		1	
11		10723104		PRESSER SETSCREW				*	☆	3	
12		22814008		SCREW				*	☆	2	
13	R	40038732	40038731	HOOK				*		1	1.00
14		10759603		ALUMINUM BOBBIN (DOUBLE-CUT)	FOR PLC-1710-7				☆	1	
15		10759603		ALUMINUM BOBBIN (DOUBLE-CUT)	FOR PLC-1760-7				☆	2	
16		SS1092810SP		SCREW 9/64-40 L=25.4	FOR PLC-1760-7				☆	2	
17		SS1092810SP		SCREW 9/64-40 L=25.4	FOR PLC-1710-7				☆	1	

# THREAD STAND COMPONENTS

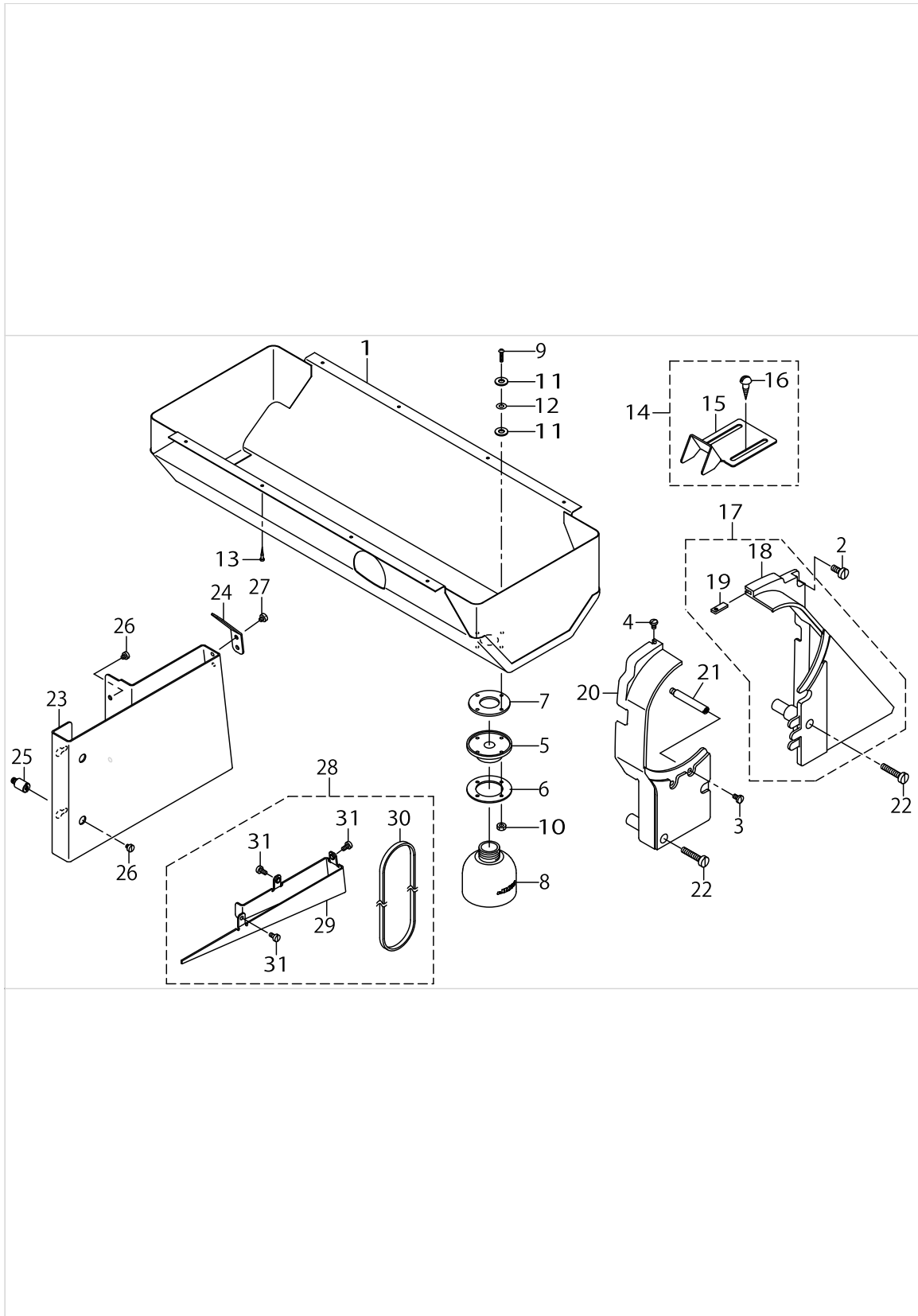


THREAD STAND COMPONENTS

No.	Supply Code	Parts No.	Replacement	Parts name	Remarks	Choice	Step	Level	Cons	Qty	Rep. QTY
1		26910158		THREAD STANDING DEVICE ASM.	FOR PLC-1760-7					1	
2		26910059		THREAD GUIDE ARM ASM.						1	
3		40096354		THREAD STAND ASM.	FOR PLC-1710-7					1	



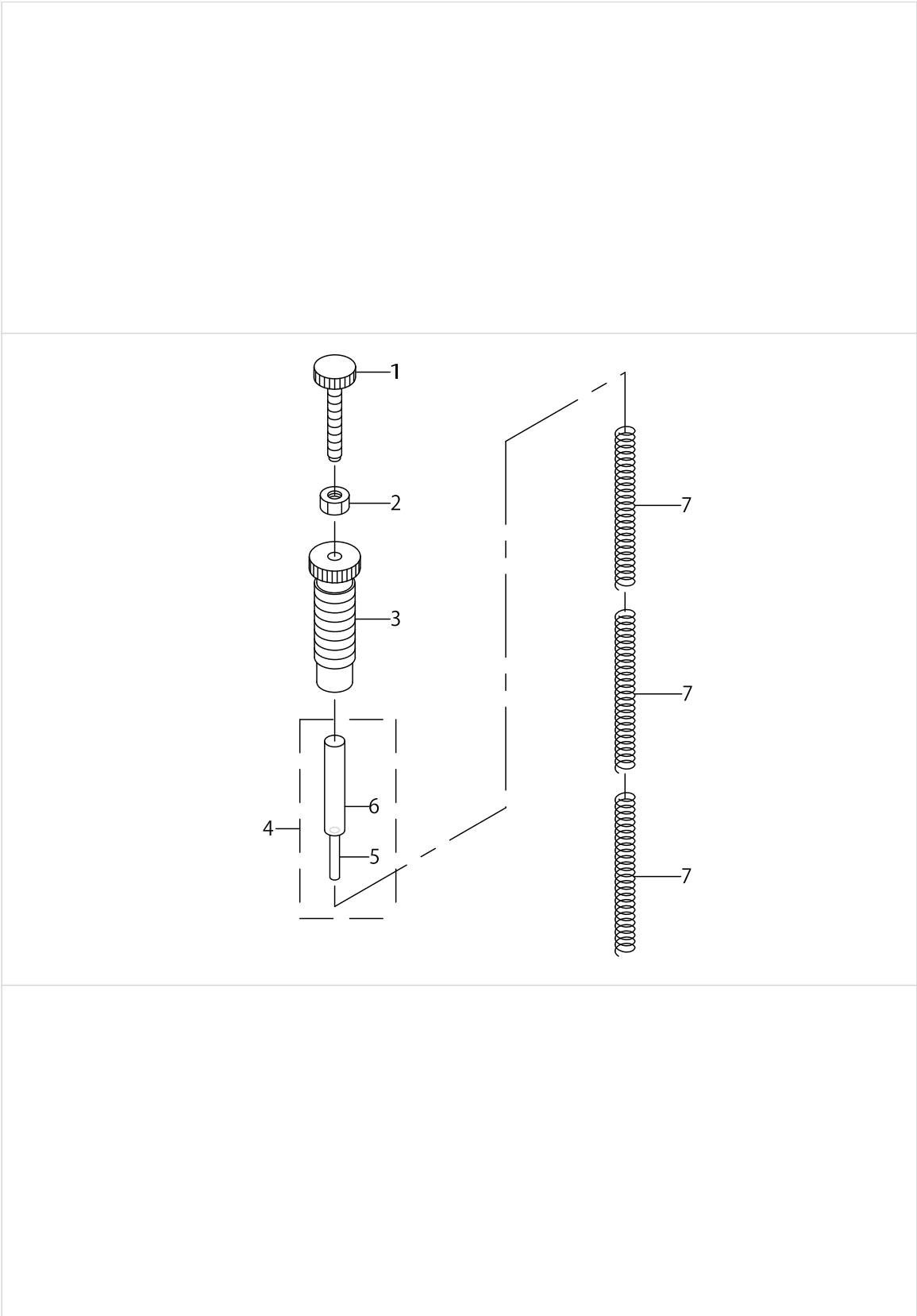
# BELT COVER & OIL RESERVOIR COMPONENTS



BELT COVER & OIL RESERVOIR COMPONENTS

No.	Supply Code	Parts No.	Replacement	Parts name	Remarks	Choice	Step	Level	Cons	Qty	Rep. QTY
1		21351457		OIL RESERVOIR ASM.						1	
2		SS6151440SP		SCREW15/64-28L=14						1	
3		SS7110840SP		SCREW 11/64-40 L=7.8						1	
4		SS5110740TP		SCREW 11/64-40 L=6.5						1	
5		40025299		OIL POT JOINT						1	
6		21379003		OIL MANAGEMENT WASHER						1	
7		B8112220000		OIL SEAL						1	
8		40025300		OIL POT						1	
9		SM3031401SE		SCREW M3X0.5 L=14						4	
10		NM6030001SC		NUT M3						4	
11		10748101		OIL REMOVING SET- SCREW PACKING						8	
12		WP0320501SC		WASHER M3						4	
13		SK3241601SC		WOOD SCREW D=2.4 L=16						8	
14		10755254		BELT COVER C ASM. (FOR JE)						1	
15		10755205		BELT COVER C(JE)				*		1	
16	R	SK3482500SC	SK3482501SE	WOOD SCREW D=4.8 L=25				*		2	1.00
17		21351150		BELT COVER ASM. (RIGHT)						1	
18	R	21351101	21351150	BELT COVER (RIGHT)				*		1	1.00
19		21351002		BELT COVER AUXILIARY PLATE				*		1	
20		21351200		BELT COVER (LEFT)						1	
21		D8232241E00		BELT COVER SUPPORT A						1	
22		SS6153040SP		SCREW15/64-28L=30						2	
23		40038823		BELTCOVER(UNDER)						1	
24		40017309		BELT COVER LID						1	
25		40038824		BELT COVER STUD						2	
26		SS6110480SP		SCREW 11/64-40 L=4.3						4	
27		SS6110480SP		SCREW 11/64-40 L=4.3						2	
28		40080024		BELT COVER (FOR OBLIQUE TABLE)	OPTIONAL PARTS					1	
29		40078969		BELT COVER(FOR OBLQUE TABLE)				*		1	
30		MTJVH00550A		V-BELT 55INCH				*		1	
31		SS6110480SP		SCREW 11/64-40 L=4.3				*		3	

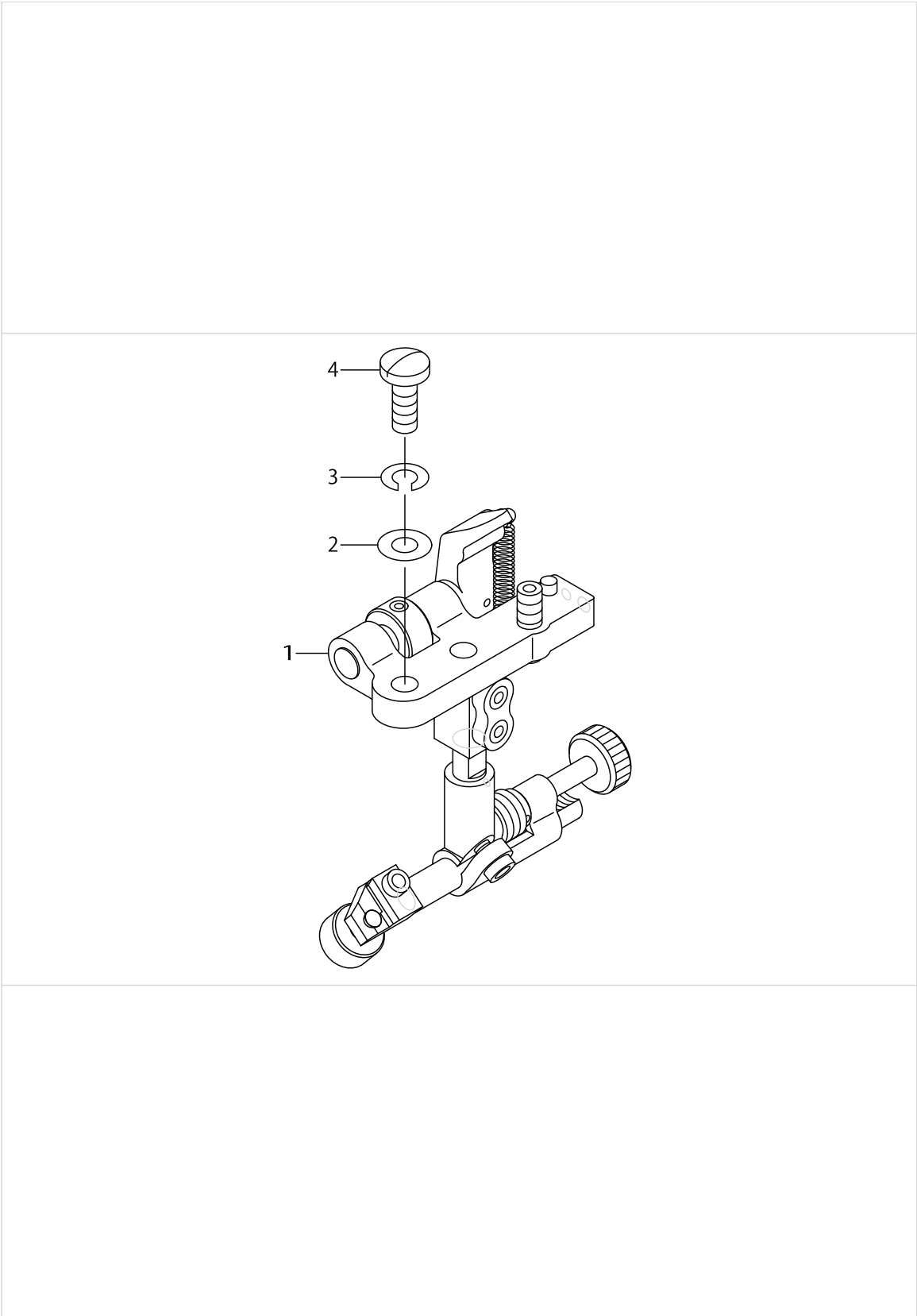
ADDITIONAL SPRING FOR PRESSER BAR COMPONENTS (OPTIONAL PARTS)



ADDITIONAL SPRING FOR PRESSER BAR COMPONENTS (OPTIONAL PARTS)

No.	Supply Code	Parts No.	Replacement	Parts name	Remarks	Choice	Step	Level	Cons	Qty	Rep. QTY
1		21006507		ADJUST SCREW B						1	
2		NS6110530SP		NUT 11/64-40						1	
3		21006408		ADJUST SCREW A						1	
4		40072709		SPRING SUPPORT SHAFT ASM.						1	
5		PS0300242K0		SPRING PIN 3.0X24				*		1	
6		40072708		SPRING SUPPORT SHAFT				*		1	
7		21006002		ADJUST SPRING B						3	

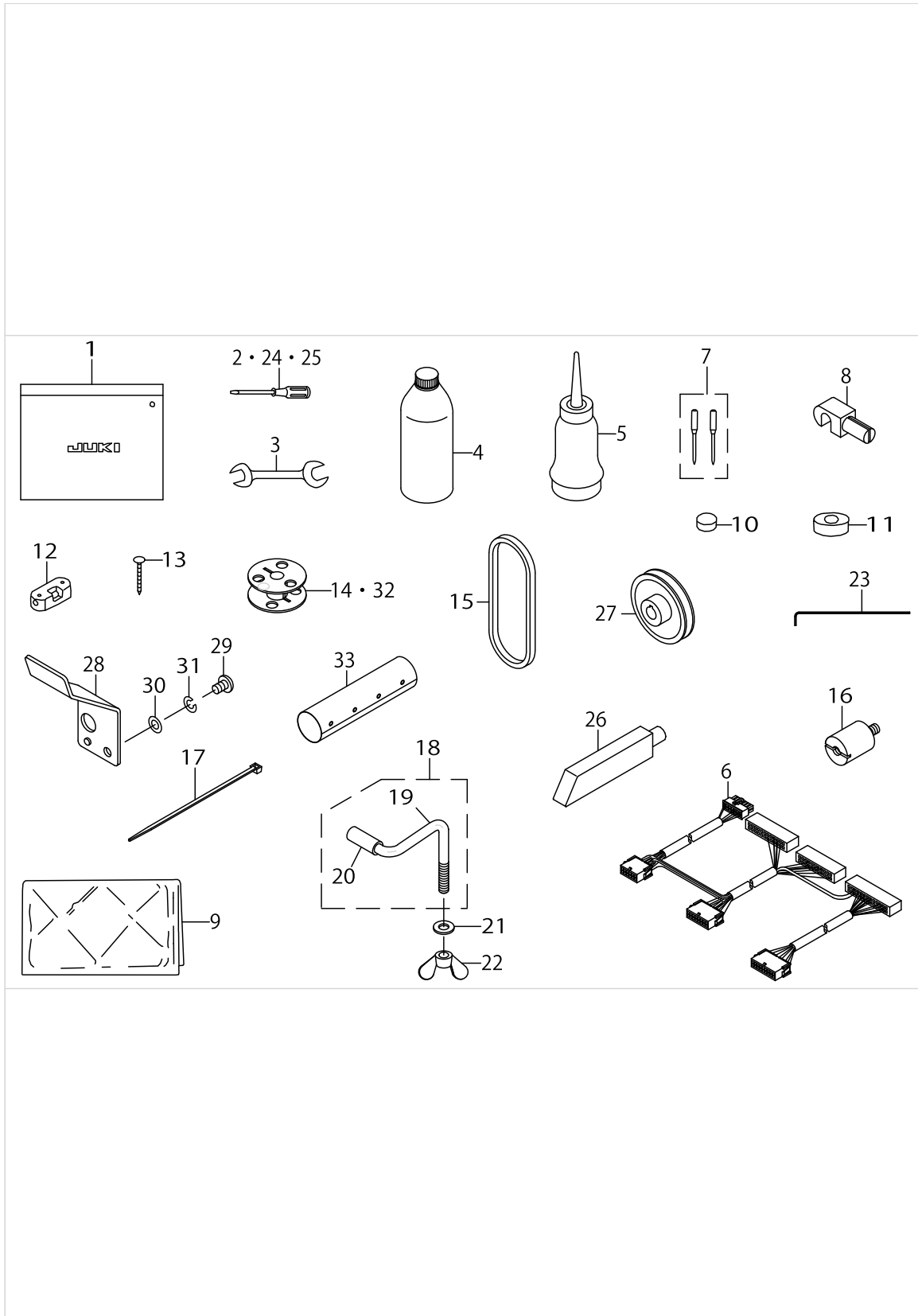
SUSPENSION SQUARE COMPONENTS (OPTIONAL PARTS)



SUSPENSION SQUARE COMPONENTS (OPTIONAL PARTS)

No.	Supply Code	Parts No.	Replacement	Parts name	Remarks	Choice	Step	Level	Cons	Qty	Rep. QTY
1		MAH152010A0		RULER						1	
2		WP0621016SD		WASHER 6.2X13X1						2	
3		WS0610002KN		SPRING WASHER 6.1X12.2X1.5						2	
4		SS7151610SP		SCREW15/64-28L=16						2	

ACCESSORIES PARTS COMPONENTS

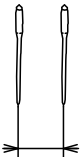

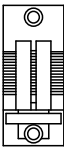
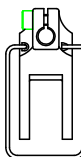
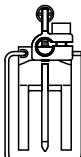


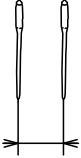
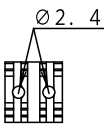
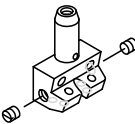
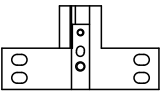
ACCESSORIES PARTS COMPONENTS

No.	Supply Code	Parts No.	Replacement	Parts name	Remarks	Choice	Step	Level	Cons	Qty	Rep. QTY
1	R	B9101552000	22932800	ACCESSORY BOX						1	1.00
2		22933006		SCREW DRIVER LARGE						1	
3		B9113012000		WRENCH (9X10)						1	
4		MDFRX2700C0		NEW DEFRIX OIL NO.2(700CC)						1	
5		J1067000000		OILER						1	
6		40101742		RELAY CORD ASM.						1	
7	R	MC321001402	MC321001400	NEEDLE 134-35 #140-2						1	1.00
8		B8213012000		BED HINGE CONNECTION						2	
9		40048536		HEAD_COVER						1	
10		B8206012000		FELT CUSHION	HEAD ONL- Y, HEAD A- ND MOTOR DELIVERY ONLY					4	
11		B8209012000		RUBBER CUSHION	HEAD ONL- Y, HEAD A- ND MOTOR DELIVERY ONLY					4	
12		10529600		WASHER	HEAD ONL- Y, HEAD A- ND MOTOR DELIVERY ONLY					2	
13		10539906		SET NAIL	HEAD ONL- Y, HEAD A- ND MOTOR DELIVERY ONLY					8	
14		10759603		ALUMINUM BOBBIN (DOUBLE-CUT)	FOR PLC-1760-7					2	
15		MTJVH00530A		V BELT 53INCH						1	
16		40101368		PANEL STUD						2	
17		EA9500B0100		CABLE BAND						3	
18		40038827		BED CLAMP STICK ASM.						1	
19		40038828		BED CLAMP STICK					*	1	
20		BT1200801EF		TUBE					*	0.03	
21		WP0841601SC		WASHER 8.4X17.4X1.6						1	
22		NM9080001SC		NUT						1	
23		10777407		WRENCH 2.5MM	FOR PLC-1760-7					1	
24		22933105		SCREW DRIVER MIDDLE						1	
25		22933204		SCREW DRIVER SMALL						1	
26		10528800		FRAME SUPPORT BAR						1	
27		MTSP00800B0		MOTOR PULLEY ASM. 80						1	
28		40052256		PANEL THREAD GUIDE						1	
29		SM4040601SC		SCREW M4X0.7 L=6						1	
30		WP0430800SC		WASHER M4						1	
31		WS0410002KN		SPRING WASHER						1	
32		10759603		ALUMINUM BOBBIN (DOUBLE-CUT)	FOR PLC-1710-7					1	
33		40102736		BUTTON TUBE						1	



TABLE OF EXCHANGING GAUGE PARTS (FOR PLC-1760-7)

NEEDLE GAUGE SIZE 針 幅	THROAT PLATE 針 板		THROAT PLATE FOR LOWER TAPE ATTACHING 下テープ付用針板		PRESSER FOOT ASM. 押え足 (組)		PRESSER FOOT WITH GUIDE ガイド付き押え足	
	 Stitch length 縫ピッチ: 9mm		 Stitch length 縫ピッチ: 9mm					
mm	Ref.No	Part No.	Ref.No	Part No.	Ref.No	Part No.	Ref.No	Part No.
6	1	400-38759	5	400-38769	9	400-38800	13	400-38810
8	2	400-38758	6	400-38767	10	400-38797	14	400-38808
10	3	400-38757	7	400-38765	11	400-38795	15	400-38806
12	4	400-38756	8	400-38762	12	400-38792	16	400-38802

NEEDLE GAUGE SIZE 針 幅	FEED 送 り		NEEDLE CLAMP ASM. 針留 (組)		THROAT PLATE HOLDER 針板受け	
						
mm	Ref.No	Part No.	Ref.No	Part No.	Ref.No	Part No.
6	17	400-38783	21	400-38778	25	400-38791
8	18	400-38782	22	400-38776	26	400-38789
10	19	400-38781	23	400-38774	27	400-38787
12	20	400-38780	24	400-38772	28	400-38785

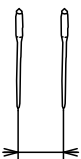
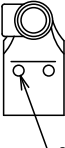
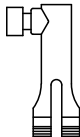
NEEDLE GAUGE SIZE 針 幅	FEED FOOT ASM. 送り足 (組)		FEED FOOT FOR GUIDE ガイド用送り足	
				
mm	Ref.No	Part No.	Ref.No	Part No.
6	29	400-38846	33	400-38854
8	30	400-38844	34	400-38852
10	31	400-38842	35	400-38850
12	32	400-38840	36	400-38848

TABLE OF EXCHANGING GAUGE PARTS (FOR PLC-1760-7)

No.	Supply Code	Parts No.	Replacement	Parts name	Remarks	Choice	Step	Level	Cons	Qty	Rep. QTY
1		40038759		THROAT PLATE(6MM)						1	
2		40038758		THROAT PLATE(8MM)						1	
3		40038757		THROAT PLATE(10MM)						1	
4		40038756		THROAT PLATE(12MM)						1	
5		40038769		THROAT PLATE(6MM)ASM.						1	
6		40038767		THROAT PLATE(8MM)ASM.						1	
7		40038765		THROAT PLATE(10MM)ASM.						1	
8		40038762		THROAT PLATE(12MM)ASM.						1	
9		40038800		PRESSER FOOT(6MM)ASM.						1	
10		40038797		PRESSER FOOT(8MM)ASM.						1	
11		40038795		PRESSER FOOT(10MM)ASM.						1	
12		40038792		PRESSER FOOT(12MM)ASM.						1	
13		40038810		PRESSER FOOT WITH GUIDE(6MM)ASM.						1	
14		40038808		PRESSER FOOT WITH GUIDE(8MM)ASM.						1	
15		40038806		PRESSER FOOT WITH GUIDE(10MM)ASM.						1	
16		40038802		PRESSER FOOT WITH GUIDE(12MM)ASM.						1	
17		40038783		FEED(6MM)						1	
18		40038782		FEED(8MM)						1	
19		40038781		FEED(10MM)						1	
20		40038780		FEED(12MM)						1	
21		40038778		NEEDLE CLAMP(6MM)ASM.						1	
22		40038776		NEEDLE CLAMP(8MM)ASM.						1	
23		40038774		NEEDLE CLAMP(10MM)ASM.						1	
24		40038772		NEEDLE CLAMP(12MM)ASM.						1	
25		40038791		THROAT PLATE HOLDER(6MM)						2	
26		40038789		THROAT PLATE HOLDER(8MM)						2	
27		40038787		THROAT PLATE HOLDER(10MM)						2	
28		40038785		THROAT PLATE HOLDER(12MM)						2	
29		40038846		FEED FOOT(6MM)ASM.						1	
30		40038844		FEED FOOT(8MM)ASM.						1	
31		40038842		FEED FOOT(10MM)ASM.						1	
32		40038840		FEED FOOT(12MM)ASM.						1	
33		40038854		FEED FOOT FOR GUIDE(6MM)ASM.						1	
34		40038852		FEED FOOT FOR GUIDE(8MM)ASM.						1	
35		40038850		FEED FOOT FOR GUIDE(10MM)ASM.						1	
36		40038848		FEED FOOT FOR GUIDE(12MM)ASM.						1	



## HOW TO MAKE USE OF THIS PARTS LIST

### 1.Explanation of codes

1)"\*"mark.....means this part is changed from the previous parts book.

As to the details of the change, refer to the "List for information of change".

2)"#01".....refer to "Note" explanation at bottom of page.

### 2.Codes on the "Qty" column

- Each numeral indicates the number of parts required.
- "0.1" and "2.5" indicate the length (in meters) of the respective parts.

3.Parentheses mean that the corresponding part is a subpart that constructs an assembly part.

4.Dotted lines on the Figures indicate assembly parts.

5.As to the parts with marks of "☆"(consumable parts) and "◎"(optional parts)on the respective parts, it is recommended to prepare spares.

### 1 ."注記"欄の記号説明

1) "\*"印.....前回のパーツブックに比較して今回変更された部品を意味します。

変更内容は、"変更情報リスト"を参照してください。

2) "#01".....ページ下の"注記"の説明を参照してください。

2.数量欄の数字は、個数を表し、0.1、2.5等の数値は、長さ（単位メートル）を表します。

3.数量欄の（ ）は、組部品を構成している子部品であることを意味します。

4.イラストページの-----枠は、組構成であることを意味します。

5.リストページの"☆"（消耗部品）、"◎"（オプション部品）の印がついた部品は、予備を準備しておくことをお奨めします。

# NUMERICAL INDEX OF PARTS

PART NO	PAGE	REF NO.	PART NO	PAGE	REF NO.	PART NO	PAGE	REF NO.
10101400	2	18	10748101	72	11	21336557	6	19
10107902	20	3	10755205	72	15	21336607	22	49
10107902	26	3	10755254	72	14	21336607	28	49
10111904	32	19	10759603	68	15	21336656	22	48
10111904	34	19	10759603	78	32	21336656	28	48
10112001	32	16	10774305	16	7	21336706	22	53
10112001	34	16	10774354	16	6	21336706	28	53
10112100	32	17	10774404	16	8	21336805	22	41
10112100	34	17	10777407	78	23	21336805	28	41
10112209	32	18	11045101	48	15	21337209	20	38
10112209	34	18	11045101	50	15	21337209	26	38
10116804	36	21	11072402	48	16	21337308	20	33
10116804	40	21	11072402	50	34	21337308	26	33
10124204	48	13	11072402	54	30	21337605	20	35
10124204	50	35	11315108	48	27	21337605	26	35
10124501	50	31	11956802	48	12	21337803	16	32
10201200	2	37	11956802	50	17	21337803	22	74
10320109	48	3	13138201	48	8	21337803	30	89
10320208	48	6	13138201	50	11	21337902	20	31
10321107	48	25	13516604	20	13	21337902	26	31
10321107	50	3	13516604	26	13	21338207	22	54
10502300	54	21	13516703	20	12	21338207	28	54
10509701	12	22	13516703	26	12	21338603	10	18
10528800	78	26	13519202	20	14	21338801	10	20
10529600	78	12	13519202	26	14	21338900	10	22
10539906	78	13	14512503	54	17	21339304	10	25
10604809	6	15	17912106	2	22	21339809	16	27
10618304	54	8	21006002	74	7	21339908	12	36
10703205	50	38	21006408	74	3	21340005	16	42
10704807	54	19	21006507	74	1	21340302	16	44
10713402	64	14	21048707	16	41	21340401	12	1
10713501	16	23	21331301	2	4	21340500	12	2
10713808	18	46	21331608	2	16	21340708	60	11
10714202	16	19	21332002	2	13	21340906	12	12
10714608	16	30	21332507	6	12	21341508	16	17
10715100	16	9	21332705	6	1	21341607	16	14
10715308	16	15	21333000	6	2	21345707	60	2
10715704	16	11	21333109	6	17	21345905	60	4
10716504	16	24	21333307	6	5	21345905	62	14
10718203	16	18	21333901	8	60	21346002	60	18
10723104	68	11	21334701	32	12	21346101	60	27
10723401	68	7	21334701	34	12	21346200	60	28
10723500	68	5	21336300	22	56	21346309	60	6
10741106	48	14	21336300	28	56	21346358	60	5
10741106	50	33	21336508	6	20	21346408	60	8

## NUMERICAL INDEX OF PARTS

PART NO	PAGE	REF NO.	PART NO	PAGE	REF NO.	PART NO	PAGE	REF NO.
21346507	60	7	21379003	72	6	21438601	16	36
21347000	60	14	21387402	22	60	21438700	16	1
21347109	12	34	21387402	28	60	21440508	36	26
21347208	60	16	21387501	6	31	21440508	40	26
21348206	48	24	21387600	6	34	21441050	48	2
21348206	50	2	21387709	6	33	21441100	48	17
21348503	44	6	21387808	6	38	21441209	52	7
21348602	44	4	21387907	8	69	21441308	52	8
21349105	44	29	21388004	44	30	21441407	52	1
21351002	72	19	21388400	10	16	21444500	64	11
21351101	72	18	21388509	56	6	21444559	64	9
21351150	72	17	21392907	2	12	21451406	10	7
21351200	72	20	21398300	44	8	21451505	12	39
21351457	72	1	21398409	44	9	22537658	54	2
21353008	8	56	21398508	44	24	22538151	54	4
21353701	36	18	21402300	6	27	22538706	54	32
21353701	40	18	21405204	10	2	22602601	2	40
21354006	36	20	21406103	14	48	22606206	8	72
21354006	40	20	21406509	12	28	22609408	20	39
21354204	36	32	21406608	14	49	22609408	26	39
21354204	40	32	21407200	22	71	22617609	50	23
21354600	36	42	21407200	28	71	22617906	48	9
21354600	40	42	21407309	24	85	22617906	50	13
21354709	36	45	21407309	28	75	22618201	48	7
21354709	40	45	21407408	22	70	22618201	50	10
21355102	36	41	21407408	30	87	22618904	50	25
21355102	40	41	21407507	60	22	22619100	2	36
21355706	54	24	21407606	60	23	22620504	60	33
21355755	54	23	21407705	60	24	22656003	44	14
21356001	54	6	21408505	2	25	22656102	44	12
21356308	56	11	21408554	2	20	22790505	36	13
21356407	56	12	21427000	8	63	22790505	40	13
21356506	56	3	21427059	8	62	22814008	68	12
21356704	56	9	21427307	32	2	22814909	10	6
21356803	56	7	21427307	34	2	22901805	2	34
21357959	54	3	21430400	22	42	22904106	12	7
21357967	54	1	21430400	28	42	22904106	22	80
21358205	54	9	21432000	68	6	22904106	30	80
21363106	52	3	21437207	2	8	22904155	12	6
21364104	20	29	21437306	2	9	22904155	22	79
21364104	26	29	21438007	10	14	22904155	30	79
21378302	12	5	21438106	16	35	22907109	12	14
21378302	22	75	21438205	16	21	22907604	12	43
21378302	30	85	21438403	46	4	22911804	22	44
21378708	54	29	21438502	16	39	22911804	28	44

## NUMERICAL INDEX OF PARTS

PART NO	PAGE	REF NO.	PART NO	PAGE	REF NO.	PART NO	PAGE	REF NO.
22912000	22	46	40017279	50	36	40038708	26	1
22912000	28	46	40017280	50	6	40038709	20	15
22912109	22	47	40017282	50	9	40038709	26	15
22912109	28	47	40017283	50	7	40038710	20	16
22933006	78	2	40017284	50	32	40038710	26	16
22933105	78	24	40017286	64	12	40038711	22	72
22933204	78	25	40017287	64	13	40038711	28	74
22951552	2	30	40017309	72	24	40038712	22	68
22952501	44	18	40017316	4	47	40038712	28	68
23001001	6	3	40017317	26	22	40038717	58	8
23002009	10	1	40018339	12	16	40038722	58	20
23003502	34	24	40018340	12	15	40038723	58	21
23004609	32	13	40018341	12	23	40038724	32	10
23004609	34	13	40019114	4	55	40038724	34	10
23004906	32	15	40019926	20	36	40038728	62	8
23004906	34	15	40019926	26	36	40038729	62	9
23006406	48	26	40023289	44	17	40038730	62	10
23006406	50	1	40024852	16	34	40038731	68	2
23007503	64	4	40024855	8	70	40038732	68	13
23007503	66	4	40025035	46	17	40038733	68	3
23007602	64	5	40025036	46	12	40038734	68	4
23007602	66	5	40025299	72	5	40038744	36	17
23009509	20	10	40025300	72	8	40038744	40	17
23009509	26	10	40027746	10	26	40038745	36	38
23024409	32	24	40029634	32	20	40038745	40	38
23026008	68	8	40029634	34	20	40038746	36	1
23026404	68	10	40033027	12	31	40038746	40	1
23036304	20	22	40033029	12	19	40038747	36	2
23058506	68	9	40033033	12	24	40038747	40	2
23062102	10	30	40038688	2	56	40038749	36	5
23636202	54	5	40038688	4	56	40038749	40	5
26225201	12	29	40038691	4	58	40038750	36	4
26226209	44	16	40038692	6	23	40038750	40	4
26910059	70	2	40038694	6	25	40038751	36	6
26910158	70	1	40038695	32	1	40038751	40	6
40009103	22	50	40038695	34	1	40038752	50	40
40009103	28	50	40038697	32	27	40038756	80	4
40016148	8	49	40038697	34	27	40038757	66	1
40016798	2	1	40038700	8	51	40038757	80	3
40017263	24	86	40038702	8	52	40038758	80	2
40017264	4	63	40038703	6	30	40038759	80	1
40017265	4	64	40038704	6	7	40038762	80	8
40017269	2	57	40038705	12	45	40038765	80	7
40017269	4	57	40038707	26	23	40038767	80	6
40017276	14	46	40038708	20	1	40038769	80	5

NUMERICAL INDEX OF PARTS

PART NO	PAGE	REF NO.	PART NO	PAGE	REF NO.	PART NO	PAGE	REF NO.
40038772	80	24	40038971	64	16	40096354	70	3
40038774	66	9	40038974	64	3	40101368	78	16
40038774	80	23	40038977	64	17	40101742	78	6
40038775	66	10	40038981	20	23	40102062	46	10
40038776	80	22	40038983	36	36	40102736	78	33
40038778	80	21	40038983	40	36	40103000	58	2
40038780	80	20	40039015	20	9	40103001	58	1
40038781	66	20	40039015	26	9	40104367	6	45
40038781	80	19	40039257	20	8	40104368	36	25
40038782	80	18	40039257	26	8	40104368	40	25
40038783	80	17	40039258	20	2	40104369	36	23
40038785	80	28	40039258	26	2	40104369	40	23
40038787	66	3	40039261	20	7	40107949	16	29
40038787	80	27	40039261	26	7	40108541	22	57
40038789	80	26	40039262	36	31	40108541	28	57
40038791	80	25	40039262	40	31	40108542	16	10
40038792	80	12	40039263	50	5	40108674	2	6
40038794	66	14	40039265	12	40	40113092	54	28
40038795	66	13	40039266	12	41	40113224	6	36
40038795	80	11	40039269	10	28	40119280	36	22
40038796	66	16	40039270	10	27	40119280	40	22
40038797	80	10	40039307	22	82	B1132521000	2	23
40038800	80	9	40039307	30	82	B1148555000	54	11
40038802	80	16	40039326	12	4	B1203512000	6	26
40038806	80	15	40039404	36	3	B1210051000	6	10
40038808	80	14	40039404	40	3	B1214019000	6	32
40038810	80	13	40039831	4	66	B1308055000	6	35
40038823	72	23	40039836	10	34	B1310055000	6	37
40038824	72	25	40039837	48	1	B1313055000	8	48
40038827	78	18	40039838	2	21	B1314055000	6	39
40038828	78	19	40039839	2	26	B1401246000	10	33
40038829	32	14	40042647	60	3	B1410771000	10	24
40038829	34	14	40042648	60	1	B1411057000	10	9
40038830	8	58	40048536	78	9	B14110570A0	10	8
40038840	80	32	40052256	78	28	B1412051000	10	11
40038842	66	17	40052262	4	52	B1412051000	60	19
40038842	80	31	40062388	52	5	B1414232000	10	23
40038843	66	19	40072708	74	6	B1414555000	12	21
40038844	80	30	40072709	74	4	B1437051000	10	4
40038846	80	29	40075553	18	47	B1462053000	14	47
40038848	80	36	40078969	72	29	B14670530A0	12	25
40038850	80	35	40080024	72	28	B1468053000	12	26
40038852	80	34	40081969	28	73	B1502246000	12	44
40038854	80	33	40081970	28	70	B152652700G	16	12
40038969	64	1	40094561	4	68	B152989000CA	54	7



NUMERICAL INDEX OF PARTS

PART NO	PAGE	REF NO.	PART NO	PAGE	REF NO.	PART NO	PAGE	REF NO.
B1604012000A	20	19	CQ202000000	10	32	EA9500B0100	38	52
B1604012000A	26	19	CQ202000000	20	51	EA9500B0100	42	53
B1610512000	20	27	CQ202000000	22	51	EA9500B0100	60	35
B1610512000	26	27	CQ202000000	26	51	EA9500B0100	78	17
B1639051000	8	47	CQ202000000	28	51	GAK29009000	58	23
B1807512000	32	4	CQ202000000	60	26	GAK29010000	58	5
B1807512000	34	4	CQ252000000	12	37	GAK29011000	58	22
B1816512000	32	5	CQ252000000	60	20	GAKA1503000	58	6
B1816512000	34	5	CQ3000000F0	12	33	HK034610120	16	40
B1906051000	6	4	CQ303000000	6	8	HK034610180	58	3
B3025141H00A	22	77	CQ505000000	6	11	HK03464000A	58	7
B3025141H00A	30	77	CS0700811SH	36	28	HK03464000B	38	47
B3120125000	48	11	CS0700811SH	40	28	HK03464000B	42	47
B3120125000	50	16	CS070081BSH	36	27	HK03464000B	52	6
B3125012000	50	30	CS070081BSH	40	27	HX00123000A	2	42
B3125527000	50	29	CS0950810SH	6	22	HX00123000A	6	16
B3128051000	48	4	CS0950810SH	36	7	HX00123000A	52	13
B3128051000	50	12	CS0950810SH	40	7	HX002950000	44	27
B3128527000	50	22	CS0950816SH	36	8	HX002950000	58	9
B3129526000	48	10	CS0950816SH	40	8	HX00295000A	56	15
B3129526000	50	14	CS095081ASH	32	3	HX00295000A	58	12
B31370510A0	48	5	CS095081ASH	34	3	HX00295000B	56	16
B31375270A0	50	19	CS1201010SH	22	62	HX00295000B	58	13
B3138512000	4	62	CS1201010SH	28	62	HX00295000C	46	8
B3138527000	50	26	CS1201011SH	22	63	HX00295000C	58	14
B3139527000	50	21	CS1201011SH	28	63	HX00295000D	44	28
B3141527000	50	28	D2112555B00	2	10	HX00295000D	58	10
B3142527000	50	20	D2112555B00	38	48	J1067000000	78	5
B3143527000	50	18	D2112555B00	42	48	M40071100AA	8	65
B3205210000	54	10	D2414141E00	4	54	M40071100AB	8	66
B3416552000	16	25	D2430555B00	36	24	MAH152010A0	76	1
B3508512000	60	31	D2430555B00	40	24	MAT80230T00	46	19
B8112220000	72	7	D2611555B00A	62	12	MAT80231T00	46	18
B8206012000	78	10	D3162555B00	48	21	MC321001400	10	36
B8209012000	78	11	D3162555B00	54	25	MC321001402	78	7
B8213012000	78	8	D3168555H0B	54	27	MDFRX2700C0	78	4
B9101552000	78	1	D8232241E00	72	21	MTJVH00530A	78	15
B9113012000	78	3	EA9500B0000	12	35	MTJVH00550A	72	30
BT0500300EA	60	21	EA9500B0000	60	9	MTSP00800B0	78	27
BT0600401EB	58	24	EA9500B0100	2	32	NM6030001SC	72	10
BT1200801EF	78	20	EA9500B0100	8	71	NM6040001SN	52	10
CM300200001	2	33	EA9500B0100	10	31	NM6060003SC	44	5
CM300200001	56	13	EA9500B0100	16	4	NM6080001SE	56	4
CM301300001	2	29	EA9500B0100	20	17	NM6080003SC	44	25
CQ202000000	6	18	EA9500B0100	26	17	NM6080721SE	46	5

NUMERICAL INDEX OF PARTS

PART NO	PAGE	REF NO.	PART NO	PAGE	REF NO.	PART NO	PAGE	REF NO.
NM7040062SB	52	11	RE0900000K0	22	61	SM6040802TP	36	44
NM9080001SC	78	22	RE0900000K0	28	61	SM6040802TP	40	44
NS6110310SP	48	20	RO092270200	22	45	SM6040802TP	64	15
NS6110310SP	50	37	RO092270200	28	45	SM6040802TP	66	15
NS6110310SP	54	26	RO092270200	54	14	SM6043552TN	44	23
NS6110530SP	74	2	SB120000200	8	54	SM6044002TP	46	3
NS6150310SP	20	59	SD0380551SL	2	24	SM6051002TP	56	8
NS6150310SP	22	59	SD0470281SP	48	19	SM6051202TP	16	16
NS6150310SP	26	59	SD0470281SP	50	8	SM6052002TP	16	45
NS6150310SP	28	59	SD0600403TP	46	7	SM6061002TP	38	49
NS6150430SP	12	38	SD0600454TP	16	38	SM6061002TP	42	49
NS6150430SP	22	66	SD0640322TP	6	42	SM6061002TP	44	10
NS6150430SP	28	66	SD0640325SP	36	35	SM6061602TP	20	25
NS6620310SP	4	53	SD0640325SP	40	52	SM6061602TP	26	25
NS6680320SP	22	84	SD0640325SP	42	52	SM6061602TP	32	21
NS6680320SP	30	84	SD0640482SP	36	40	SM6061602TP	34	21
PA320100300	44	31	SD0640482SP	40	40	SM6061602TP	44	2
PA320150200	44	1	SD0640601SP	40	35	SM6061802TP	22	40
PA320200100	46	2	SD0720331SP	56	5	SM6061802TP	28	40
PA400150100	56	1	SD0800352SP	44	11	SM6082002TP	56	2
PF0552170A0	58	25	SD0800402TP	20	65	SM8040402TP	36	11
PH0300062C0	32	26	SD0800402TP	22	65	SM8040402TP	40	11
PH0300062C0	34	26	SD0800402TP	26	65	SM8050502TP	20	6
PJ301065104	44	20	SD0800402TP	28	65	SM8050502TP	26	6
PJ304065101	44	26	SD0900701TP	22	83	SM8050602TP	16	31
PJ304065101	46	6	SD0900701TP	30	83	SM8050602TP	54	20
PJ304065101	56	10	SD1000801SH	22	55	SM8050612TP	22	52
PS0150065KP	66	12	SD1000801SH	28	55	SM8050612TP	28	52
PS0300242K0	74	5	SK3241601SC	72	13	SM8060602TP	6	28
PS0500202KP	60	30	SK3385001SE	58	19	SM8061212TP	8	59
PS0600502KP	48	22	SK3482500SC	72	16	SM8080802TP	10	21
PS0600502KP	50	4	SK3482501SE	58	27	SM8080812TP	6	14
PX015101000	44	21	SK3514000SC	46	9	SS1092810SP	68	17
PX015101000	46	11	SL4040881SC	16	3	SS2090710TP	2	61
RC0560711KP	54	12	SM1050801SR	16	20	SS2090710TP	4	61
RC0740811KP	20	11	SM3031401SE	72	9	SS2090810SP	66	8
RC0740811KP	26	11	SM4040601SC	78	29	SS3090610SP	60	17
RE0500000K0	6	46	SM4061001SB	4	67	SS4080610SP	48	18
RE0500000K0	16	26	SM4061001SB	58	26	SS4080620TP	4	59
RE0500000K0	36	16	SM6030602TP	10	12	SS4110615SP	60	34
RE0500000K0	40	16	SM6040552TP	64	10	SS4110815SP	2	43
RE0500000K0	54	13	SM6040552TP	66	18	SS4110815SP	6	29
RE0500711KP	20	20	SM6040800SP	54	31	SS4110815SP	16	2
RE0500711KP	26	20	SM6040802TP	32	23	SS4110815SP	62	13
RE0800000K0	16	43	SM6040802TP	34	23	SS4111215SP	2	2

NUMERICAL INDEX OF PARTS

PART NO	PAGE	REF NO.	PART NO	PAGE	REF NO.	PART NO	PAGE	REF NO.
SS4120615SP	44	15	SS6151040SP	40	43	SS7120760SP	8	55
SS4150915SP	2	7	SS6151040SP	56	14	SS7120760SP	44	13
SS5060410SP	36	14	SS6151220SP	46	13	SS7120760SP	60	29
SS5060410SP	40	14	SS6151440SP	72	2	SS7150740SP	12	11
SS5090610SP	2	3	SS6151780SP	12	27	SS7150910TP	2	17
SS5110740TP	72	4	SS6151812TP	36	30	SS7151210SP	44	7
SS5110810SP	64	6	SS6151812TP	40	30	SS7151610SP	76	4
SS5110810SP	66	6	SS6151920SP	12	30	SS8080310TP	66	11
SS6060220SP	36	15	SS6152440SP	10	29	SS8080410TP	10	35
SS6060220SP	40	15	SS6153040SP	72	22	SS8110410TP	36	9
SS6090520SP	54	16	SS6661110SP	6	24	SS8110410TP	40	9
SS6090620SP	4	65	SS7090520SP	50	27	SS8110510SP	36	29
SS6090620SP	64	7	SS7090520TP	2	27	SS8110510SP	40	29
SS6090620SP	66	7	SS7090530SP	64	8	SS8110520TP	12	13
SS6090620TP	54	22	SS7090710SP	26	24	SS8110520TP	36	12
SS6090630SP	24	87	SS7090910SP	10	10	SS8110520TP	40	12
SS6090630TP	20	24	SS7090910TP	20	32	SS8111010TP	6	43
SS6091022TP	10	19	SS7090910TP	26	32	SS8150710SP	12	9
SS6110480SP	4	50	SS7091410SP	54	15	SS8150710SP	16	33
SS6110480SP	36	10	SS7110510SP	12	20	SS8150710TP	8	61
SS6110480SP	40	10	SS7110510SP	60	12	SS8150710TP	24	88
SS6110480SP	60	10	SS7110570SP	52	4	SS8150710TP	30	86
SS6110480SP	62	11	SS7110710SL	46	14	SS8150710TP	32	11
SS6110480SP	64	2	SS7110710SP	8	57	SS8150710TP	34	11
SS6110480SP	66	2	SS7110710SP	22	67	SS8150822TP	6	64
SS6110480SP	72	31	SS7110710SP	28	67	SS8150822TP	8	64
SS6110520TP	22	73	SS7110710SP	60	32	SS8150822TP	20	28
SS6110520TP	30	88	SS7110830SP	10	17	SS8150822TP	26	28
SS6110630TP	16	13	SS7110830SP	16	28	SS8151150TP	10	5
SS6110710TP	38	46	SS7110830SP	48	29	SS8151150TP	22	76
SS6110710TP	42	46	SS7110840SP	46	1	SS8151150TP	30	76
SS6110810TP	54	18	SS7110840SP	72	3	SS8151150TP	32	8
SS6111010SP	60	25	SS7110910TP	10	15	SS8151150TP	34	8
SS6111140SP	2	44	SS7110910TP	12	42	SS8660530TP	8	50
SS6111210SP	8	68	SS7110910TP	22	69	SS8660530TP	32	25
SS6111610SP	16	37	SS7110910TP	28	69	SS8660530TP	34	25
SS6111610SP	20	37	SS7110910TP	48	23	SS8660610TP	12	8
SS6111610SP	26	37	SS7110910TP	50	39	SS8660610TP	22	81
SS6121210SP	22	78	SS7110910TP	52	2	SS8660610TP	28	81
SS6121210SP	30	78	SS7111120TP	16	22	SS8660610TP	30	81
SS6121610TP	36	37	SS7111410SP	46	16	SS8660612TP	6	40
SS6121610TP	40	37	SS7111410TP	20	30	SS8660612TP	12	3
SS6121860SP	22	43	SS7111410TP	26	30	SS8660612TP	36	39
SS6121860SP	28	43	SS7111410TP	48	28	SS8660612TP	40	39
SS6151040SP	36	43	SS7111810TP	44	19	SS8660810TP	6	21

## NUMERICAL INDEX OF PARTS

PART NO	PAGE	REF NO.
SS8660810TP	32	9
SS8660810TP	34	9
SS8661030SP	8	53
SS9111010SP	36	34
SS9111010SP	40	34
SS9151740CP	20	4
SS9151740CP	26	4
TA0750704R0	2	28
TA0750704R0	6	44
TA0750704R0	12	10
TA1050504R0	2	31
TA1250504R0	2	41
TA2100904R0	4	51
WP0320501SC	72	12
WP0430800SC	78	30
WP0450801SD	8	67
WP0480856SP	46	15
WP0501016SD	38	53
WP0501016SD	42	54
WP0501046SC	12	18
WP0501046SC	52	12
WP0612076SP	20	26
WP0612076SP	26	26
WP0612076SP	32	22
WP0612076SP	34	22
WP0621016SD	20	5
WP0621016SD	26	5
WP0621016SD	76	2
WP0641601SD	44	22
WP0650876SD	22	58
WP0650876SD	28	58
WP0651056SD	38	50
WP0651056SD	42	50
WP0841601SC	78	21
WS0410002KN	78	31
WS0610002KN	76	3
WS0610002KP	38	51
WS0610002KP	42	51
WT0530002KS	2	39
WZ0320290UZ	2	60
WZ0320290UZ	4	60