

MODEL : UT23  
List No : 1440-02

# PARTS LIST

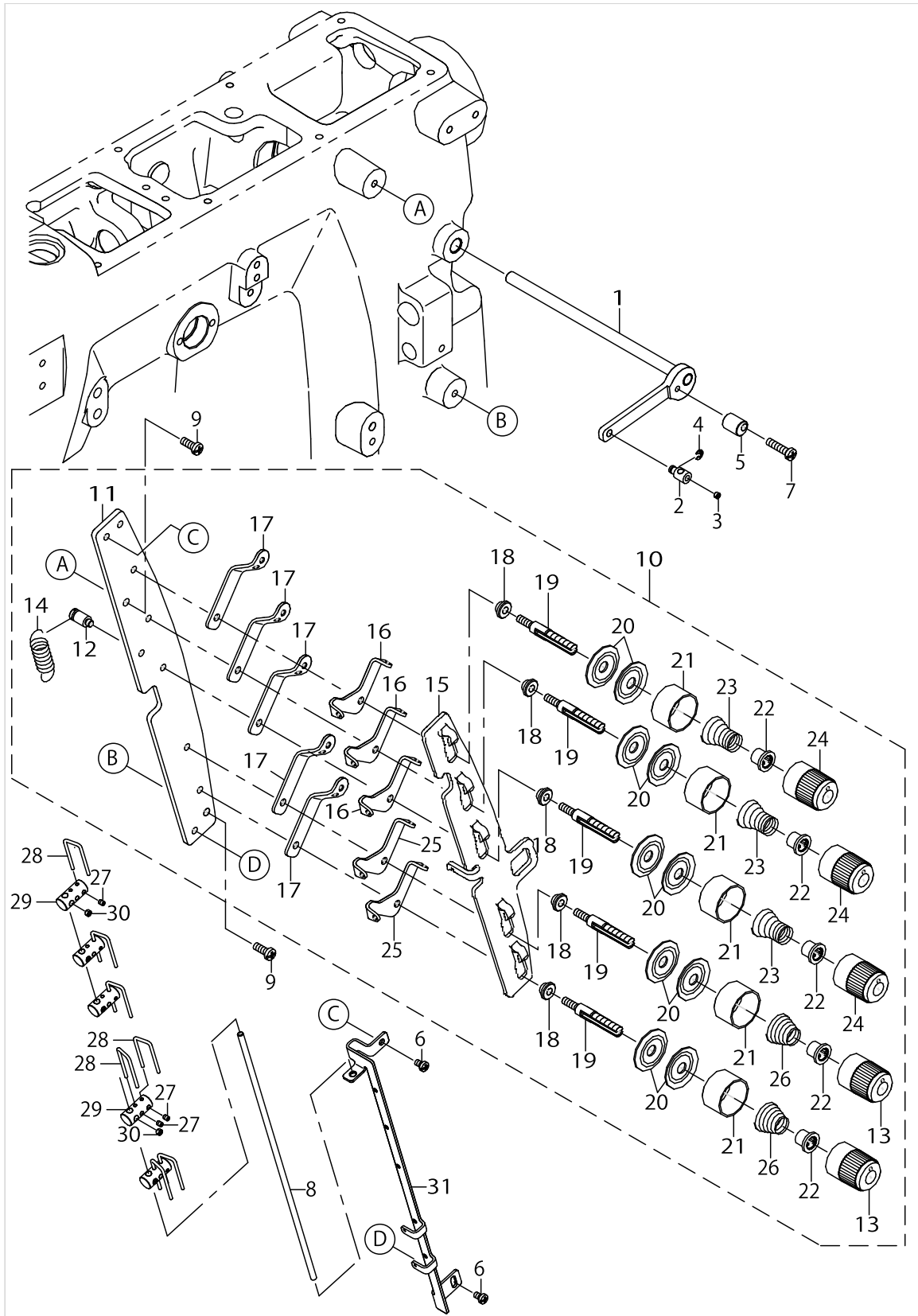
Published:05/12/2017

## CONTENTS

---

THREAD TENSION COMPONENTS .....	1
LOOPER THREAD TRIMMER COMPONENTS .....	7
PNEUMATIC DRIVE & PRESSER FEED LIFTER COMPONENTS.....	9
NEEDLE THREAD WIPER COMPONENTS .....	13
ACCESSORIE PART COMPONENTS.....	15
HOW TO MAKE USE OF THIS PARTS LIST .....	17

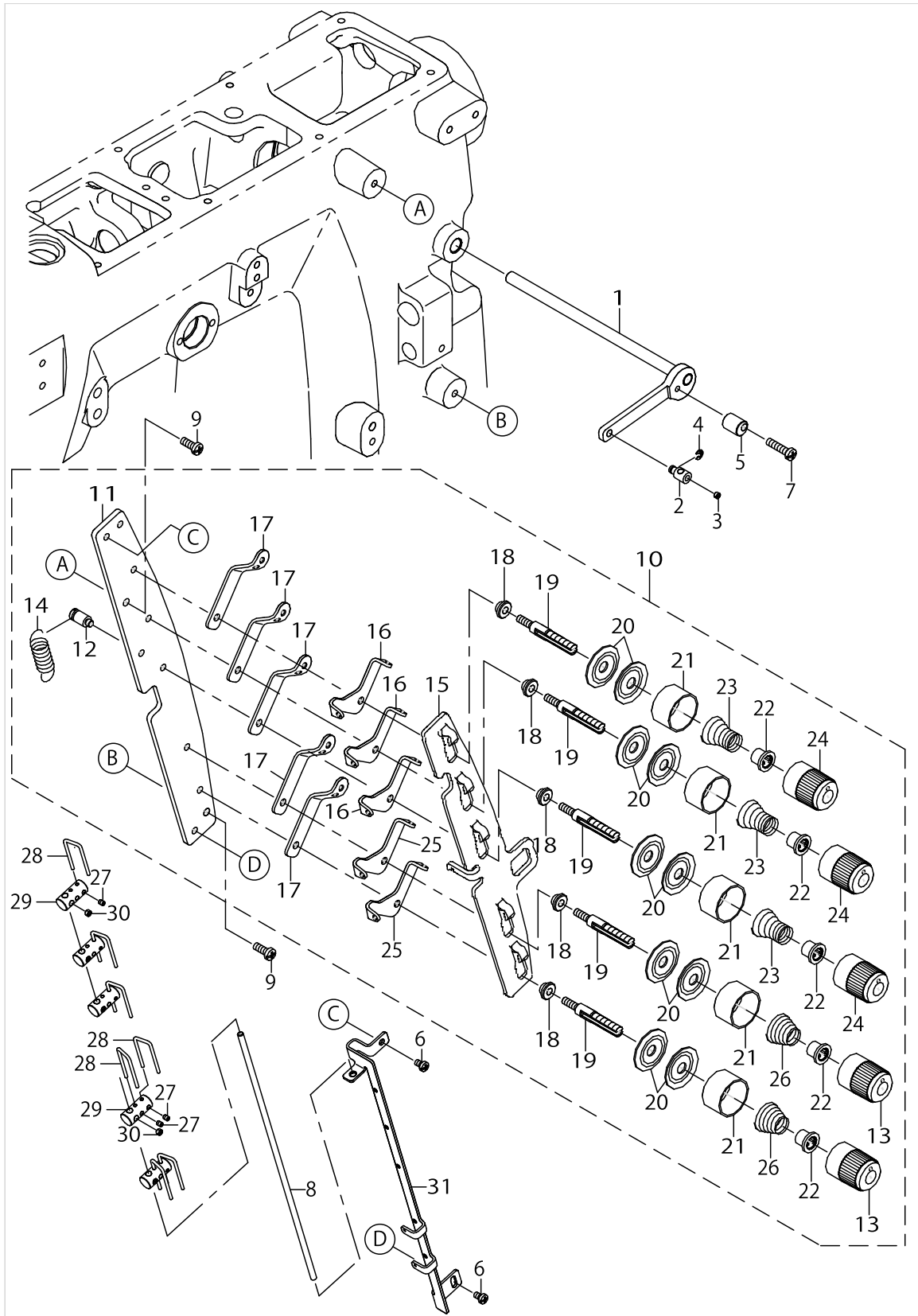
# THREAD TENSION COMPONENTS



THREAD TENSION COMPONENTS

No.	Supply Code	Parts No.	Replacement	Parts name	Remarks	Choice	Step	Level	Cons	Qty	Rep. QTY
1		13456553		PULL_OFF_LEVER_ASSY						1	
2		13456405		THD_PULL_OFF_BAR_HOLDER						1	
3		SM8040360TP		SCREW						1	
4		RE0300000K0		E-RING 3						1	
5		40065785		TENS_RELEASE_ADJ_ECC						1	
6		SM4040655SP		SCREW M4 L=6						2	
7		SM4041655SP		SCREW M4 L=16						1	
8		13456108		PULL_OFF_BAR						1	
9		SM4041055SP		SCREW						2	
10		40066136		THREAD_TENSION_ASSY						1	
11		13340203		TENSION POST SUPPORT				*		1	
12		13340302		SHOULDER SCREW				*		1	
13	R	13341706	40042363	KNOB		B	糸調子ナット(緑)対策品/TENSION NUT(green) countermeasure parts	*		2	1.00
13	R	13341706	40042362	KNOB		B	糸調子ナット(緑)対策品/TENSION NUT(green) countermeasure parts	*		2	1.00
13	R	13341706	40042365	KNOB		B	糸調子ナット(緑)対策品/TENSION NUT(green) countermeasure parts	*		2	1.00
13	R	13341706	40042366	KNOB		B	糸調子ナット(緑)対策品/TENSION NUT(green) countermeasure parts	*		2	1.00
13	R	13341706	40066136	KNOB				*		2	1.00
14		B2008372000		THREAD TENSION SPRING				*		1	
15		40065784		TENSION_DISC_SEPARATOR				*		1	
16	R	13341607	40040066	TENSION_DISC_EYELET_2		B	MF-7724-U10-D60	*		3	1.00
16	R	13341607	40066136	TENSION_DISC_EYELET_2				*		3	1.00
17		13340609		THREAD LEAD IN GUIDE				*		5	
18		13340708		SPACER				*		5	
19	R	13340807	40042365	TENSION POST		B	糸調子ナット(無地)対策品/TENSION NUT(plain) countermeasure parts	*		5	1.00
19	R	13340807	40042363	TENSION POST		B	糸調子ナット(無地)対策品/TENSION NUT(plain) countermeasure parts	*		5	1.00
19	R	13340807	40042366	TENSION POST		B	糸調子ナット(無地)対策品/TENSION NUT(plain) countermeasure parts	*		5	1.00

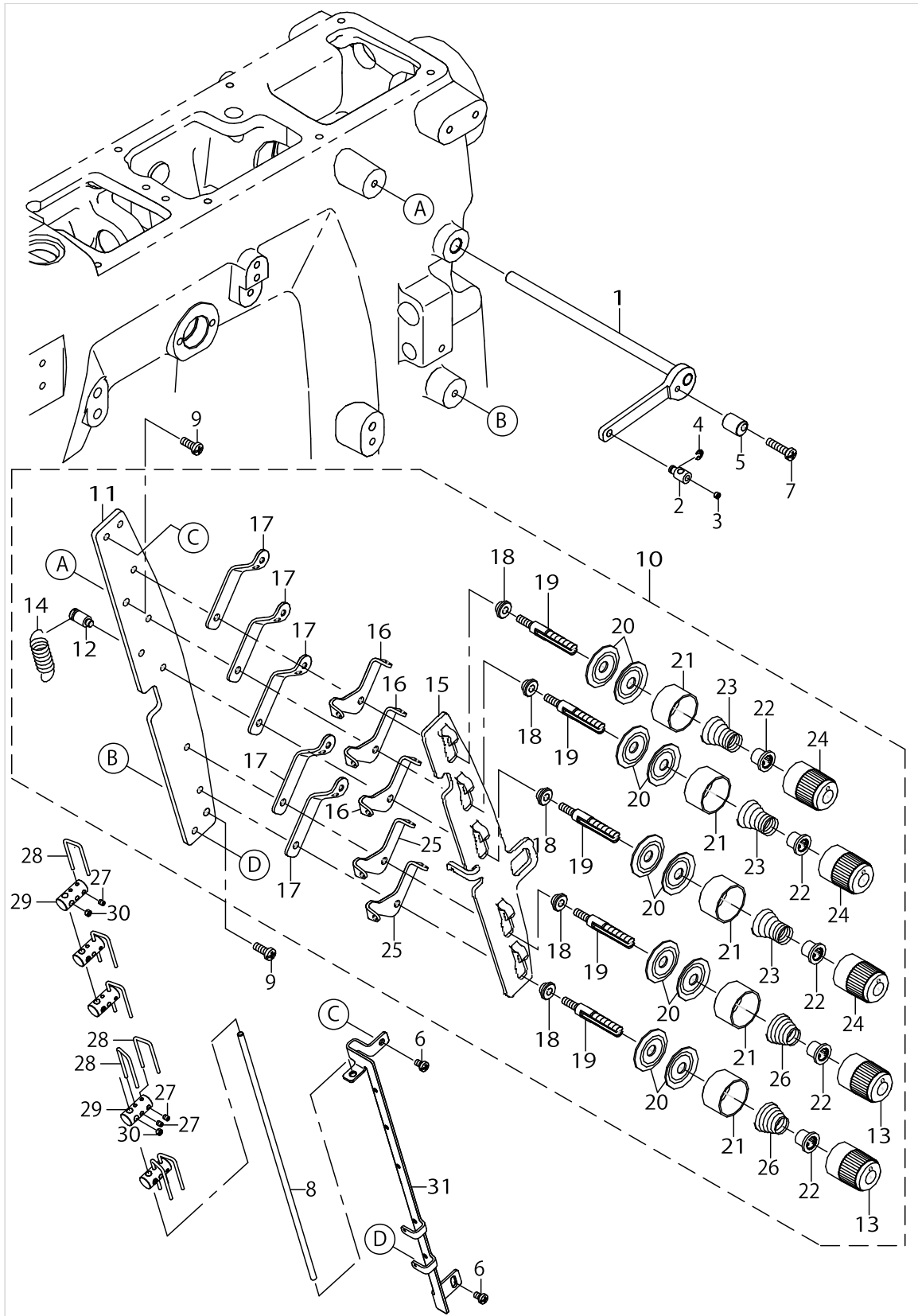
THREAD TENSION COMPONENTS



THREAD TENSION COMPONENTS

No.	Supply Code	Parts No.	Replacement	Parts name	Remarks	Choice	Step	Level	Cons	Qty	Rep. QTY
19	R	13340807	40042362	TENSION POST		B	糸調子ナット(無地)対策品/TENSION NUT(plain) countermeasure parts	*		5	1.00
19	R	13340807	40042366	TENSION POST		C	糸調子ナット(緑)対策品/TENSION NUT(green) countermeasure parts	*		5	1.00
19	R	13340807	40042364	TENSION POST		C	糸調子ナット(緑)対策品/TENSION NUT(green) countermeasure parts	*		5	1.00
19	R	13340807	40042365	TENSION POST		C	糸調子ナット(緑)対策品/TENSION NUT(green) countermeasure parts	*		5	1.00
19	R	13340807	40042362	TENSION POST		C	糸調子ナット(緑)対策品/TENSION NUT(green) countermeasure parts	*		5	1.00
19	R	13340807	40066136	TENSION POST				*		5	1.00
20		13138201		THREAD TENSION DISK				*		10	
21		13137609		THREAD TENSION DISK PRESSER				*		5	
22		13137906		SPRING BUSHING				*		5	
23		13140504		TENNSION SPRING				*		3	
24	R	13340906	40042364	KNOB GREEN		B	糸調子ナット(緑)対策品/TENSION NUT(green) countermeasure parts	*		3	1.00
24	R	13340906	40042366	KNOB GREEN		B	糸調子ナット(緑)対策品/TENSION NUT(green) countermeasure parts	*		3	1.00
24	R	13340906	40042362	KNOB GREEN		B	糸調子ナット(緑)対策品/TENSION NUT(green) countermeasure parts	*		3	1.00
24	R	13340906	40042365	KNOB GREEN		B	糸調子ナット(緑)対策品/TENSION NUT(green) countermeasure parts	*		3	1.00
24	R	13340906	40066136	KNOB GREEN				*		3	1.00
25		13340500		TENSION DISC EYELET				*		2	
26	R	B3121804000	40102003	TENSION SPRING				*		2	1.00
27		SM8030412TP		SCREW						7	
28		13456603		THD_PULL_OFF_HOOK						7	
29		13456207		THD_P_O_HOOK_GUIDE						5	
30		SM8040360TP		SCREW						5	

# THREAD TENSION COMPONENTS

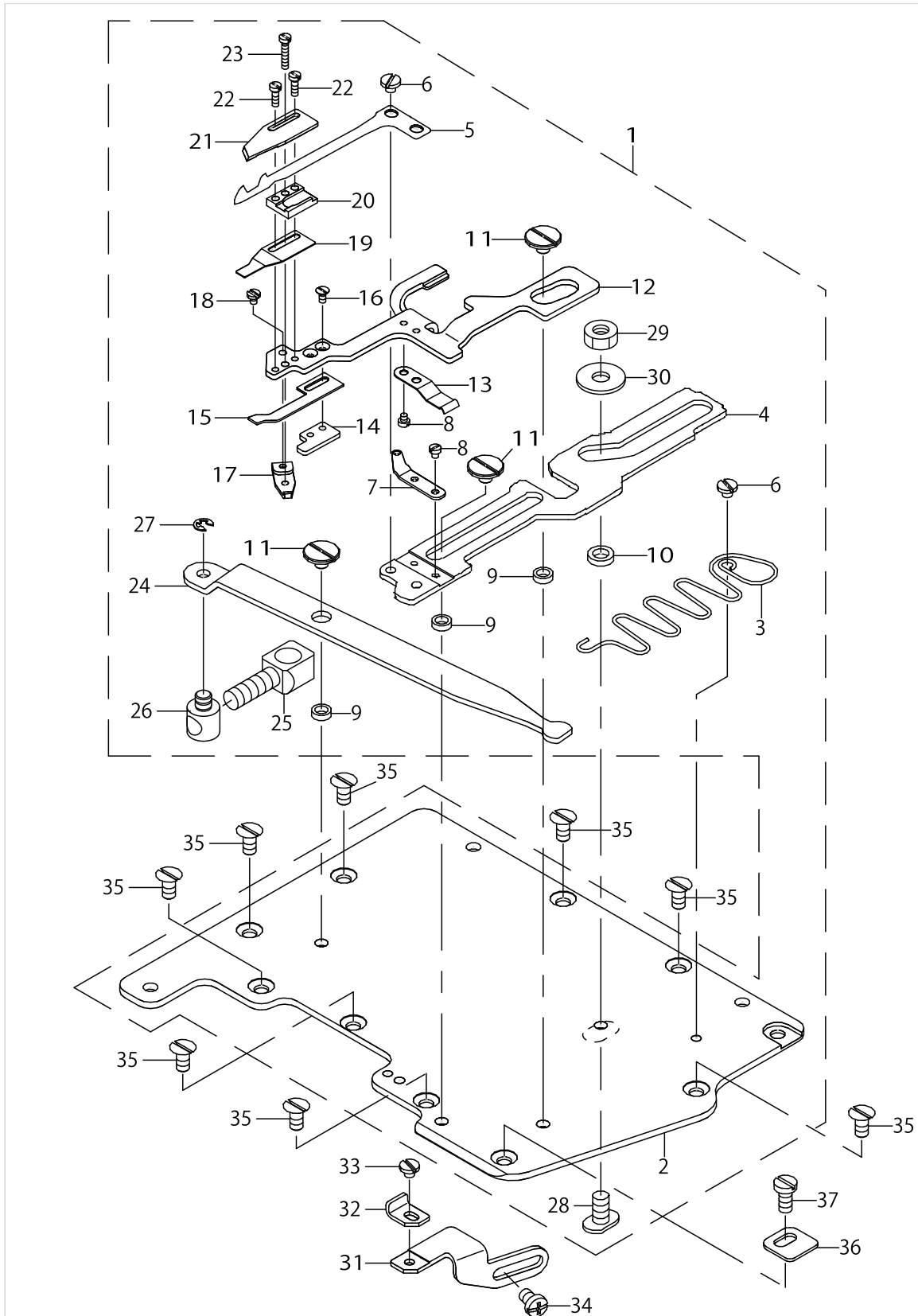


THREAD TENSION COMPONENTS

No.	Supply Code	Parts No.	Replacement	Parts name	Remarks	Choice	Step	Level	Cons	Qty	Rep. QTY
31		13456009		THREAD_GUIDE						1	



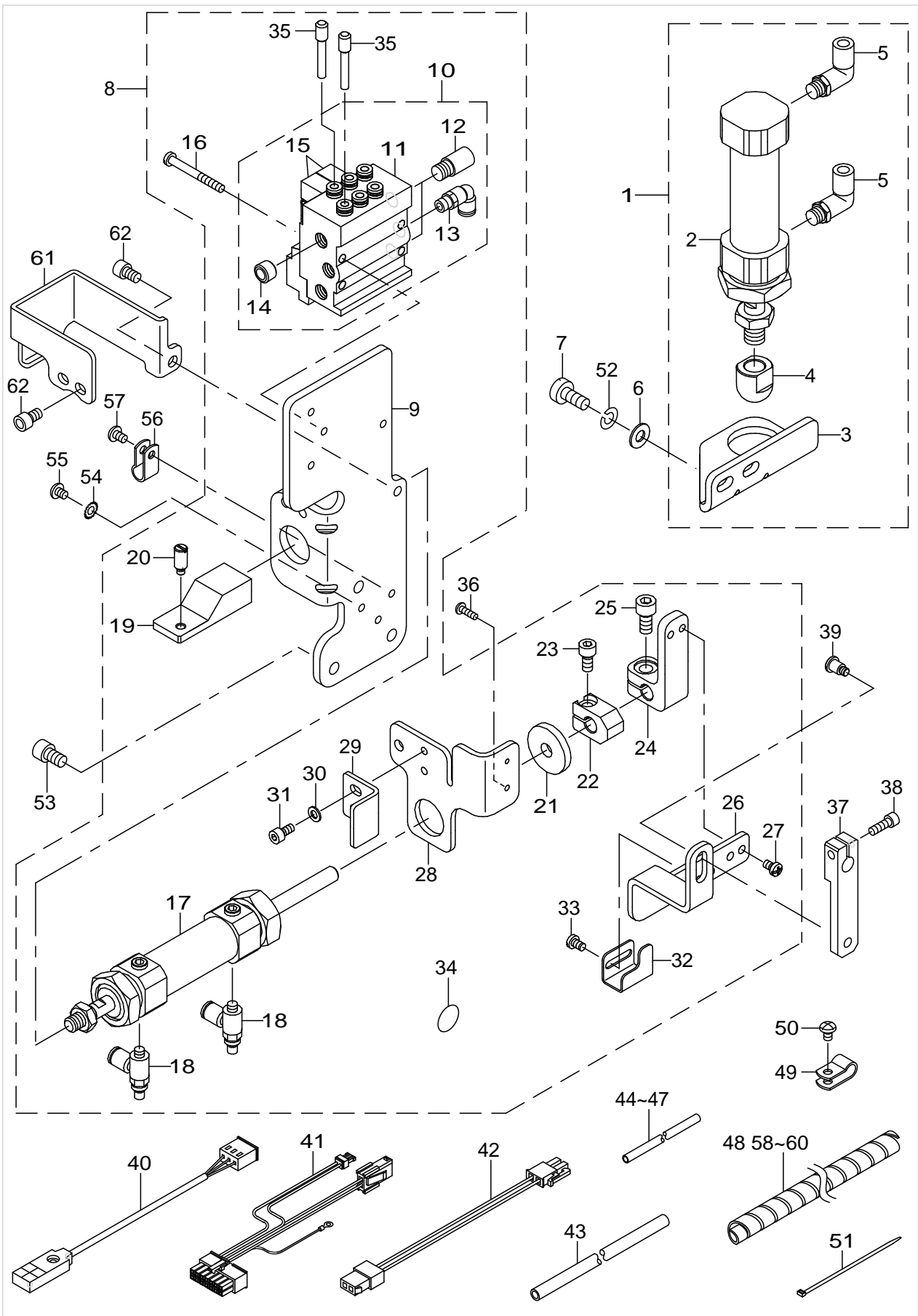
# LOOPER THREAD TRIMMER COMPONENTS



LOOPER THREAD TRIMMER COMPONENTS

No.	Supply Code	Parts No.	Replacement	Parts name	Remarks	Choice	Step	Level	Cons	Qty	Rep. QTY
1		40026174		UNDER_TRIMMER_ASSY						1	
2		40070201		BED_TOP_COVER_FOR_UT				*		1	
3		13440409		SPRING_FOR_UT				*		1	
4		13440102		LOWER_KNIFE_HOLDER				*		1	
5		13441308		LOWER_KNIFE				*		1	
6		SM6030350SN		SCREW M3 L=2.5				*		3	
7		13440805		EYELET				*		1	
8		SM6020250TP		SCREW.				*		4	
9		13440904		SPACER_1				*		3	
10		13441001		SPACER_2				*		1	
11		SM6040460TP		SCREW				*		3	
12		13440201		KNIFE_HOLDER_GUIDE				*		1	
13		13441902		LEAF_SPRING-2				*		1	
14		13441605		THREADED_PLATE				*		1	
15		13441803		LEAF_SPRING-1				*		1	
16		SM1020450TP		SCREW M2 L=4				*		2	
17		13441506		TENSION_LEVER				*		1	
18		SM6020600TP		SCREW				*		1	
19		13442207		LEAF_SPRING-3				*		1	
20		13441407		LOWER_KNIFE_GUIDE				*		1	
21		13441704		UPPER_KNIFE				*		1	
22		SM6020600TP		SCREW				*		2	
23		SM6021000TP		SCREW				*		1	
24		13440300		LEVER				*		1	
25		40025990		LINK_DRIVING				*		1	
26		40025989		BOLT_CARRIER				*		1	
27		RE0250000K0		E-RING 2.5				*		1	
28		40070110		SCREW				*		1	
29		NM6040001SP		NUT M4X0.7				*		1	
30		WP0431005SP		PLAIN WASHER 4.3X12X1				*		1	
31		13440607		GUIDE_BASE						1	
32		13440706		GUIDE						1	
33		SM6030350SN		SCREW M3 L=2.5						1	
34		SM4040655SN		SCREW M4X0.7 L=6						2	
35		SM1040860SP		SCREW						8	
36		13440508		STOP_PLATE						1	
37		SM6040870SP		SCREW						1	

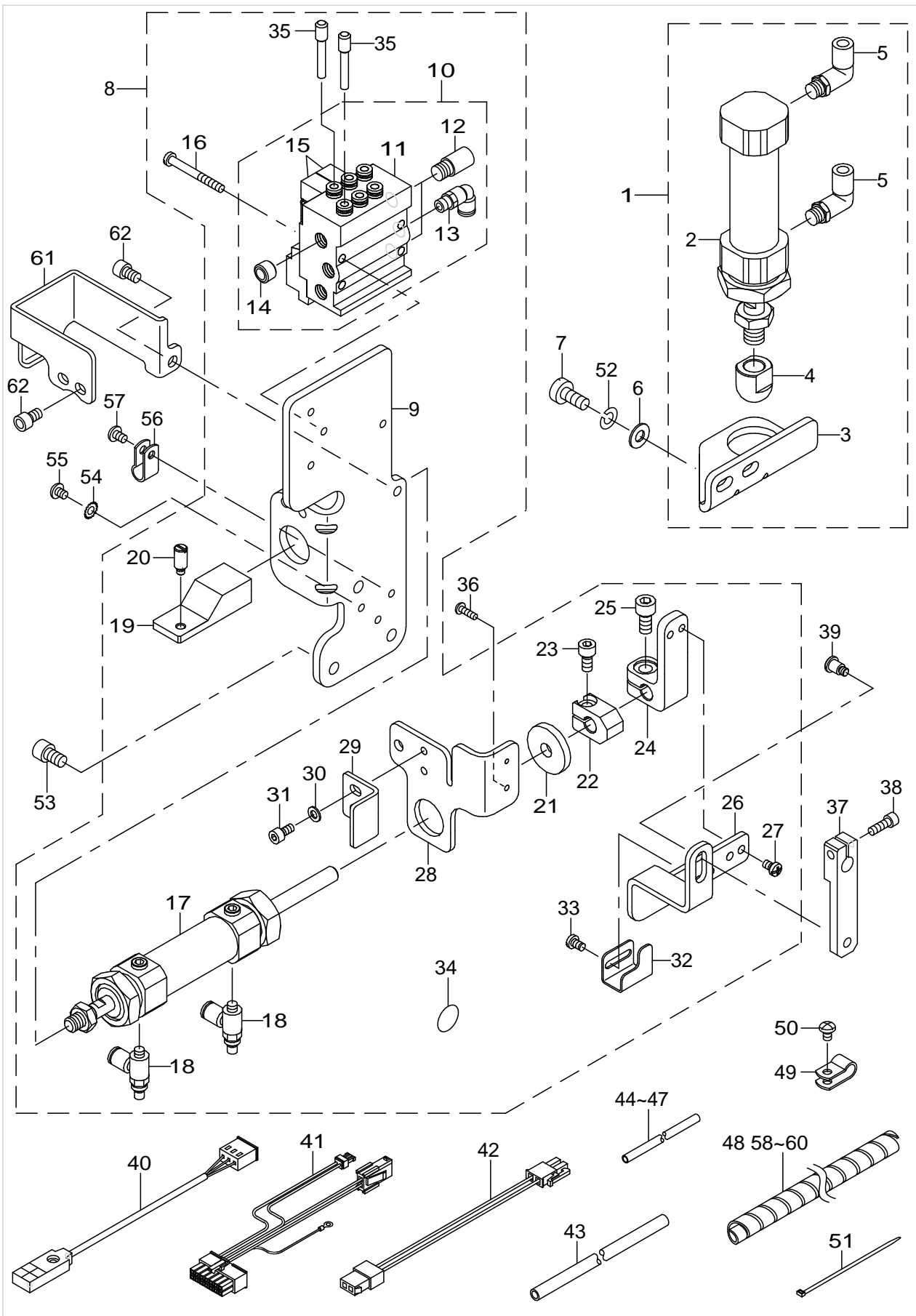
PNEUMATIC DRIVE & PRESSER FEED LIFTER COMPONENTS



PNEUMATIC DRIVE & PRESSER FEED LIFTER COMPONENTS

No.	Supply Code	Parts No.	Replacement	Parts name	Remarks	Choice	Step	Level	Cons	Qty	Rep. QTY
1		40018079		PNEUMATIC_P_F_LIFTER_ASSY						1	
2		PA2503004A0		AIR CYLINDER				*		1	
3		13455001		AIR_CYLINDER_BRACKET				*		1	
4		13455100		AIR_CYLINDER_CAP				*		1	
5		PJ304045102		ELBOW UNION, C				*		2	
6		WP0621016SD		WASHER 6.2X13X1						2	
7		SM6061400SP		SCREW M6 L=14						2	
8		40018365		PNEUMATIC_DRIVE_ASSY						1	
9		13442504		AIR_CYLINDER_BRACKET				*		1	
10		40072396		MANIFOLD_VALVE_ASSY				*		1	
11		PV035161000		MANIFOLD				*		1	
12		PX055104000		SILENCER (PT1/8)				*		2	
13		PJ304065101		ELBOW UNION 6XPT1/8				*		1	
14		PJ025100002		PLUG R1/8				*		3	
15		PV150103200		5-PORT SOKENOID VALVE				*		2	
16		SM4043555SP		SCREW				*		2	
17		PA2001802A0		AIR CYLINDER				*		1	
18		PC010508000		SPEED CONTROLLER				*		2	
19	D	13442603		PLUNGER				*		1	
20		13442702		PIN				*		1	
21		13443601		WASHER				*		1	
22		13442900		COLLAR				*		1	
23		SM6051002TP		SCREW M5X0.8 L=10				*		1	
24		13443007		PLATE HOLDER				*		1	
25		SM6061202TP		SCREW M6 L=12				*		1	
26		13443106		TENS_RELEASE_PLATE				*		1	
27		SM4040655SP		SCREW M4 L=6				*		2	
28	D	13442801		SENSOR HOLDER				*		1	
29	D	13443700		SUPPORT_PLATE_UT				*		1	
30		WP0430800SC		WASHER M4				*		2	
31		SM6040802TP		SCREW M4X0.7 L=8				*		2	
32		13443205		SWITCH_PLATE				*		1	
33		SM4040655SP		SCREW M4 L=6				*		2	
34		22901805		GROUND MARK				*		1	
35		PX500014000		PLUG				*		2	
36		SM4031001SN		SCREW						1	
37		13443304		TENSION_RELEASE_LEVER						1	
38		SM6041202TP		SCREW M4X0.7 L=12						1	
39		SD0700706TP		SHOULDER SCREW						1	
40		40021746		UNDER_TRIMMER_S- SENSOR_CABLE_ASM						1	
41		40034194		UT23_UT_CABLE_ASSY						1	
42		40027213		LIFT_UP_CABLE_B_ASM.						1	
43		BT0600401EB		TUBE						2	
44		BT0400251EB		URETHANE HOSE, BLACK						.34	
45		BT0400251EB		URETHANE HOSE, BLACK						.32	
46		BT0400251EB		URETHANE HOSE, BLACK						.22	

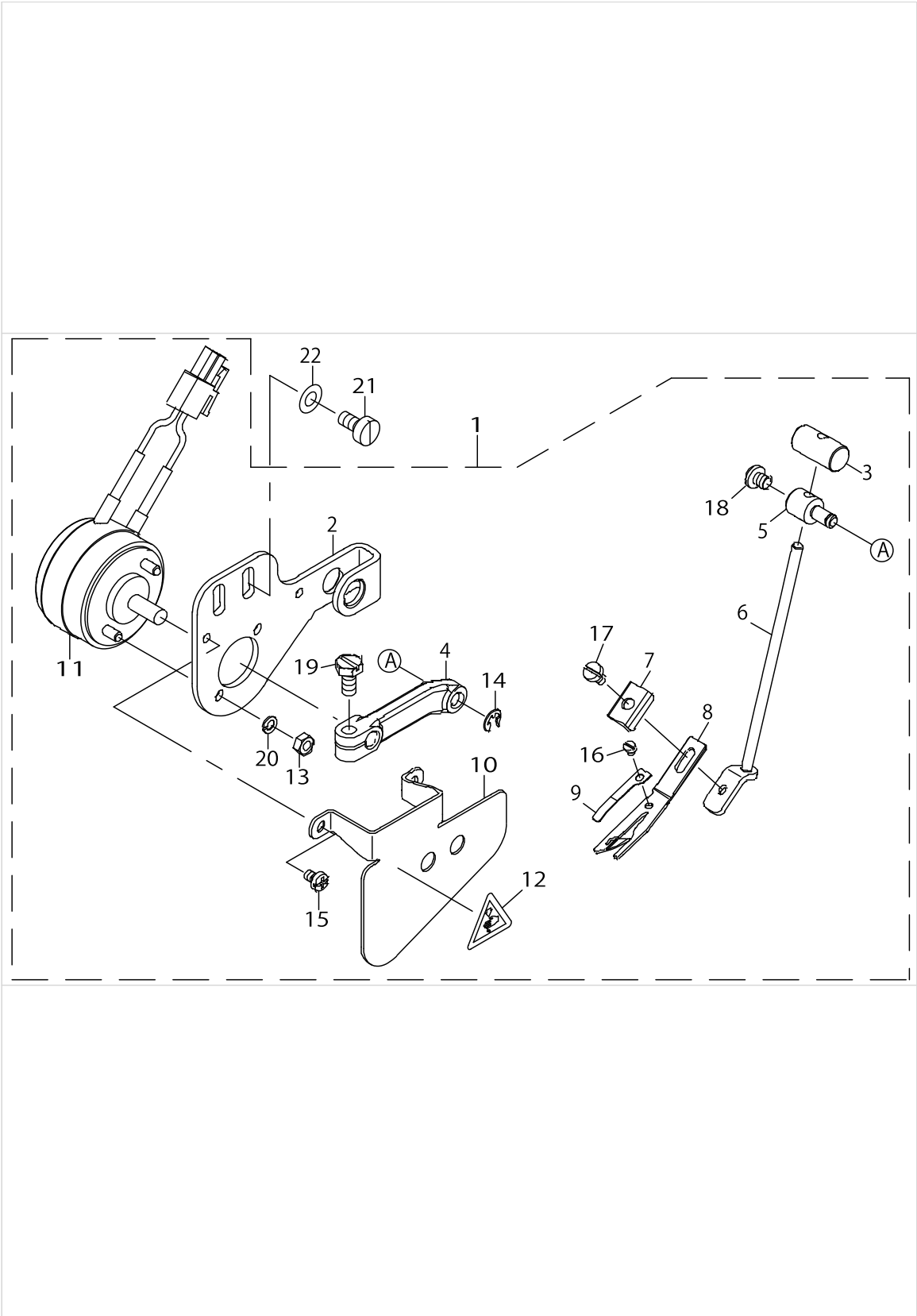
PNEUMATIC DRIVE & PRESSER FEED LIFTER COMPONENTS



PNEUMATIC DRIVE & PRESSER FEED LIFTER COMPONENTS

No.	Supply Code	Parts No.	Replacement	Parts name	Remarks	Choice	Step	Level	Cons	Qty	Rep. QTY
47		BT0400251EB		URETHANE HOSE, BLACK						.3	
48		HX00314000A		SPIRAL TUBE						.6	
49		HX00150000B		CABLE CLIP						2	
50		SM4040655SP		SCREW M4 L=6						2	
51		EA9500B0100		CABLE BAND						3	
52		WS0610002KP		SPRING WASHER						2	
53		SM6061002TP		SCREW M6 L=10						3	
54		WT0430002KN		WASHER M4						1	
55		SM4040501SN		SCREW M4X0.7 L=5						1	
56		HX00150000D		CABLE CLIP						1	
57		SM4040655SP		SCREW M4 L=6						1	
58		HX003140000		SPIRAL TABE						1.25	
59		HX00314000D		SPIRAL TUBE						.12	
60		HX00314000D		SPIRAL TUBE						.1	
61		40069703		SOLENOIDE_COVER						1	
62		SM6050802TP		SCREW M5X0.8 L=8						3	

NEEDLE THREAD WIPER COMPONENTS

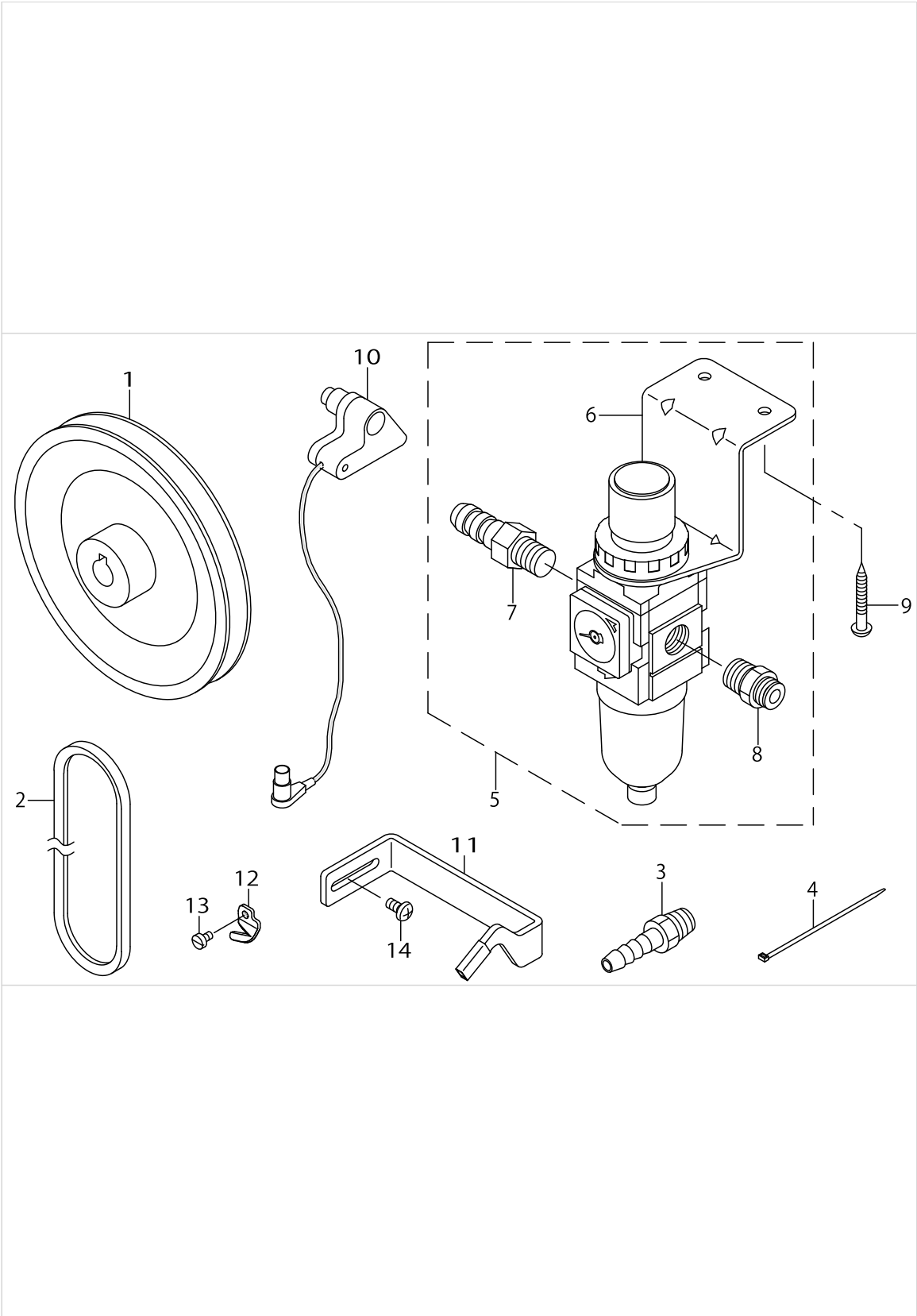


NEEDLE THREAD WIPER COMPONENTS

No.	Supply Code	Parts No.	Replacement	Parts name	Remarks	Choice	Step	Level	Cons	Qty	Rep. QTY
1		40031642		NEEDLE_THREAD_WIPER_ASSY						1	
2		40031388		SOLENOID_BRACKET				*		1	
3		40031390		WIPER_BAR_GUIDE				*		1	
4		40031391		SOLENOID_LEVER				*		1	
5		40031392		SOLENOID_LEVER_PIN				*		1	
6		40031394		WIPER_BAR_ASSY				*		1	
7		40031396		WIPER HOLDER				*		1	
8		40031397		WIPER				*		1	
9		40031399		THD_CLAMP_SPRING				*		1	
10		40031402		SAFETY_COVER				*		1	
11		40032661		ROTARY_SOLENOID_ASSY				*		1	
12		CM300200001		ATTENTION SEAL				*		1	
13		NM6030001SN		NUT				*		2	
14		RE0300000K0		E-RING 3				*		1	
15		SM4030455SP		SCREW				*		2	
16		SM6020250TP		SCREW.				*		1	
17		SM6030500SN		SCREW M3 L=5				*		1	
18		SM6040450TP		SCREW M4 L=4				*		1	
19		SM9040800SP		SCREW				*		1	
20		WS0310002KN		SPRING WASHER M3				*		2	
21		SM6040800SP		SCREW						2	
22		WP0450826SC		WASHER 4.5X10X0.8						2	



ACCESSORIE PART COMPONENTS



ACCESSORIE PART COMPONENTS

No.	Supply Code	Parts No.	Replacement	Parts name	Remarks	Choice	Step	Level	Cons	Qty	Rep. QTY
1		MTSP0115000A		MOTOR PULLEY						1	
2		MTJVM004000		V-BELT, 40 INCH						1	
3		PJ032526001		HOSE NIPPLE						1	
4		EA9500B0100		CABLE BAND						4	
5		40018052		FILTER_REGULATOR_ASSY						1	
6		PF0552070C0		FILTER GEGULATOR				*		1	
7		F1021003000		HOSE JOINT				*		1	
8		PJ301065201		HALF UNION 6XPT1/4				*		1	
9	R	SK3451600SC	SK3451601SE	WOOD SCREW D=4.5 L=16						2	1.00
10		40026921		SYNCHRONIZER						1	
11		40082313		STOPPER ASM						1	
12		13316302		THREAD_TRIMMER						1	
13		SM6030500SN		SCREW M3 L=5						1	
14		SM4040855SP		SCREW						2	

## HOW TO MAKE USE OF THIS PARTS LIST

- 1.As to "#01" and "#02" refer to the "Note" given at the bottom of the respective pages.
- 2.Codes on the "Qty" column
  - Each numeral indicates the number of parts required.
  - "0.1" and "2.5" indicate the length (in meters) of the respective parts.
- 3.Parentheses mean that the corresponding part is a subpart that constructs an assembly part.
- 4.Dotted lines on the Figures indicate assembly parts.

ALL PARTS NOT MENTIONED IN THIS PARTS LIST ARE SAME AS THOSE OF  
MODEL MF-7800. OTHER PARTS LIST RELATED TO THIS MODEL.  
\*MF-7800 SERIES (NO.1379 PART NO.13450002)

# NUMERICAL INDEX OF PARTS

PART NO	PAGE	REF NO.	PART NO	PAGE	REF NO.	PART NO	PAGE	REF NO.
13137609	4	21	13455100	10	4	F1021003000	16	7
13137906	4	22	13456009	6	31	HX00150000B	12	49
13138201	4	20	13456108	2	8	HX00150000D	12	56
13140504	4	23	13456207	4	29	HX003140000	12	48·58~ 60
13316302	16	12	13456405	2	2	HX00314000A	12	48·58~ 60
13340203	2	11	13456553	2	1	HX00314000D	12	48·58~ 60
13340302	2	12	13456603	4	28	MTJVM004000	16	2
13340500	4	25	22901805	10	34	MTSP0115000A	16	1
13340609	2	17	40018052	16	5	NM6030001SN	14	13
13340708	2	18	40018079	10	1	NM6040001SP	8	29
13340807	2	19	40018365	10	8	PA2001802A0	10	17
13340807	4	19	40021746	10	40	PA2503004A0	10	2
13340906	4	24	40025989	8	26	PC010508000	10	18
13341607	2	16	40025990	8	25	PF0552070C0	16	6
13341706	2	13	40026174	8	1	PJ025100002	10	14
13440102	8	4	40026921	16	10	PJ032526001	16	3
13440201	8	12	40027213	10	42	PJ301065201	16	8
13440300	8	24	40031388	14	2	PJ304045102	10	5
13440409	8	3	40031390	14	3	PJ304065101	10	13
13440508	8	36	40031391	14	4	PV035161000	10	11
13440607	8	31	40031392	14	5	PV150103200	10	15
13440706	8	32	40031394	14	6	PX055104000	10	12
13440805	8	7	40031396	14	7	PX500014000	10	35
13440904	8	9	40031397	14	8	RE0250000K0	8	27
13441001	8	10	40031399	14	9	RE0300000K0	2	4
13441308	8	5	40031402	14	10	RE0300000K0	14	14
13441407	8	20	40031642	14	1	SD0700706TP	10	39
13441506	8	17	40032661	14	11	SK3451600SC	16	9
13441605	8	14	40034194	10	41	SM1020450TP	8	16
13441704	8	21	40065784	2	15	SM1040860SP	8	35
13441803	8	15	40065785	2	5	SM4030455SP	14	15
13441902	8	13	40066136	2	10	SM4031001SN	10	36
13442207	8	19	40069703	12	61	SM4040501SN	12	55
13442504	10	9	40070110	8	28	SM4040655SN	8	34
13442603	10	19	40070201	8	2	SM4040655SP	2	6
13442702	10	20	40072396	10	10	SM4040655SP	10	57
13442801	10	28	40082313	16	11	SM4040655SP	12	57
13442900	10	22	B2008372000	2	14	SM4040855SP	16	14
13443007	10	24	B3121804000	4	26	SM4041055SP	2	9
13443106	10	26	BT0400251EB	10	44~47	SM4041655SP	2	7
13443205	10	32	BT0400251EB	12	44~47	SM4043555SP	10	16
13443304	10	37	BT0600401EB	10	43	SM6020250TP	8	8
13443601	10	21	CM300200001	14	12	SM6020250TP	14	16
13443700	10	29	EA9500B0100	12	51			
13455001	10	3	EA9500B0100	16	4			

## NUMERICAL INDEX OF PARTS

PART NO	PAGE	REF NO.
SM6020600TP	8	22
SM6021000TP	8	23
SM6030350SN	8	33
SM6030500SN	14	17
SM6030500SN	16	13
SM6040450TP	14	18
SM6040460TP	8	11
SM6040800SP	14	21
SM6040802TP	10	31
SM6040870SP	8	37
SM6041202TP	10	38
SM6050802TP	12	62
SM6051002TP	10	23
SM6061002TP	12	53
SM6061202TP	10	25
SM6061400SP	10	7
SM8030412TP	4	27
SM8040360TP	2	30
SM8040360TP	4	30
SM9040800SP	14	19
WP0430800SC	10	30
WP0431005SP	8	30
WP0450826SC	14	22
WP0621016SD	10	6
WS0310002KN	14	20
WS0610002KP	12	52
WT0430002KN	12	54