

MODEL : FU-05

List No : 1448-05

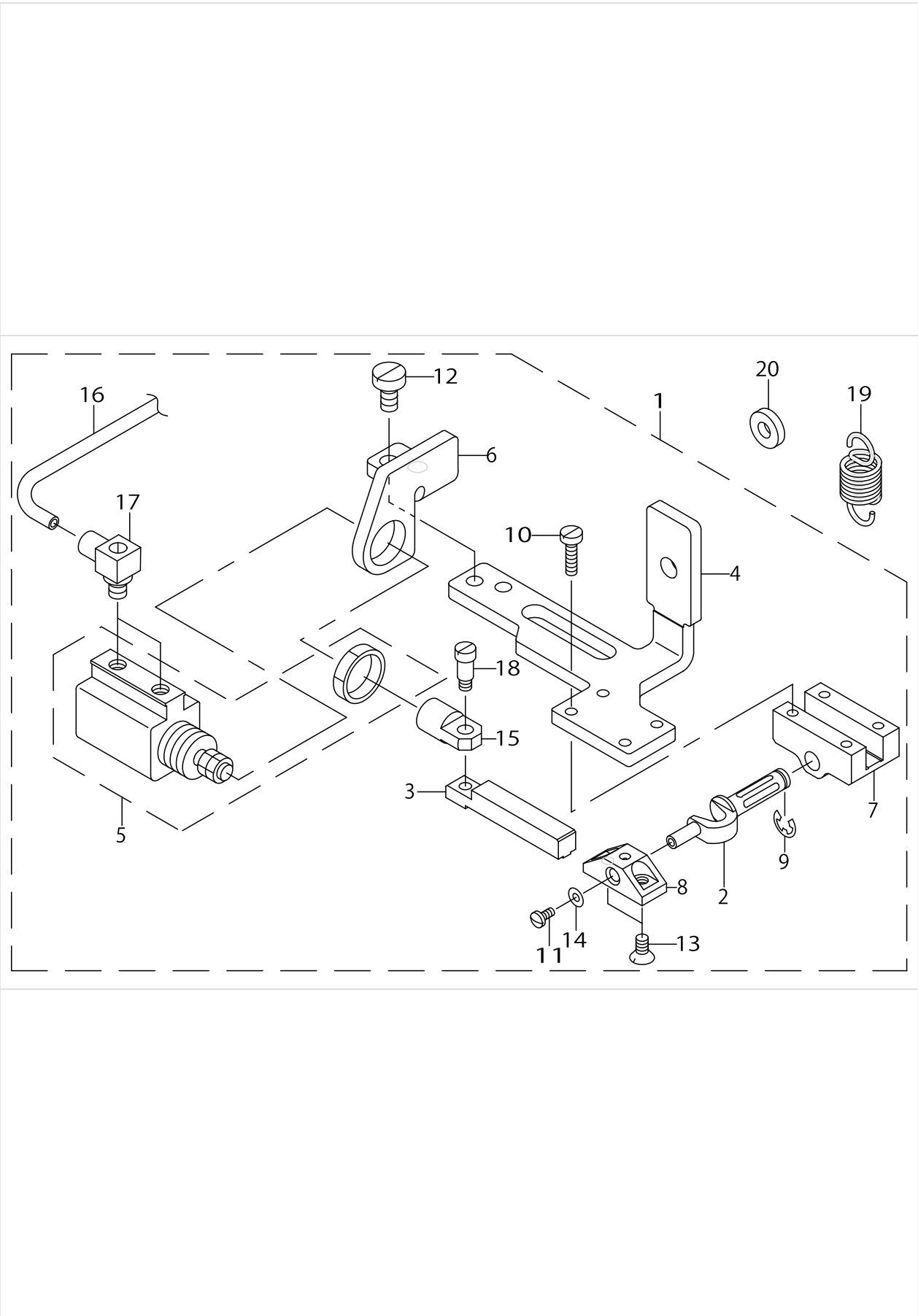
PARTS LIST

Published:05/12/2017

CONTENTS

TUAN AROUND MECHANISM COMPONENTS (1).....	1
TUAN AROUND MECHANISM COMPONENTS (2).....	3
PNEUMATIC COMPONENTS	5
HOW TO MAKE USE OF THIS PARTS LIST	7

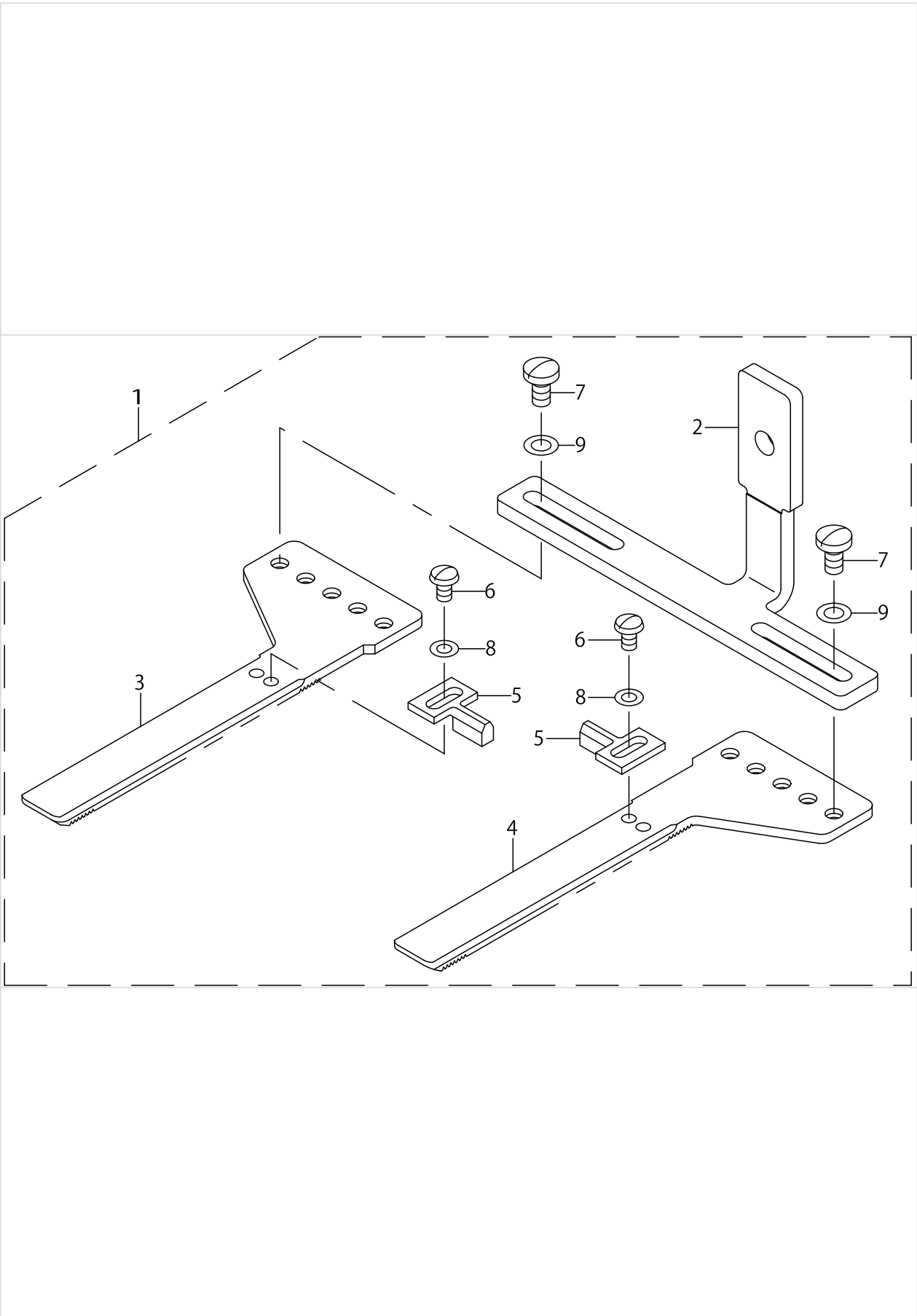
TUAN AROUND MECHANISM COMPONENTS (1)



TUAN AROUND MECHANISM COMPONENTS (1)

No.	Supply Code	Parts No.	Replacement	Parts name	Remarks	Choice	Step	Level	Cons	Qty	Rep. QTY
1		GFU010030A0		SLIDE PLATE ASM.						1	
2		GFU01001000		TURN AROUND CRANK SHAFT				*		1	
3		GFU01002000		INVERTING LAC				*		1	
4		GFU01003000		INNER PRESSER SLIDE PLATE				*		1	
5		PA1600801A0		AIR CYLINDER				*		1	
6		GFU01006000		TURN CYLINDER BRACKET				*		1	
7		B4303210000		TURN AROUND CRANK BEARING				*		1	
8		B4314210000		INTERMEDIATE PRESSER BASE				*		1	
9		RE0400000K0		E-RING 4				*		1	
10		SS6081210SP		SCREW 1/8-44 L=12				*		4	
11		SS7060610SP		SCREW 3/32-56 L=5.5				*		1	
12		SS6120940SP		SCREW 3/16-28 L=9				*		2	
13		SS1090750SP		SCREW 9/64-40 L=7				*		2	
14		WP0250516SD		WASHER 2.5X6X0.5				*		1	
15		B4306220000		KNUCKLE				*		1	
16		BT0400251EB		URETHANE HOSE, BLACK				*		1.3	
17		PJ046052503		HOSE ELBOW				*		2	
18		SD0460703TP		HINGE SCREW D=4.6 H=7				*		1	
19		GFU01007000		SPRING						1	
20		WP0502616SD		WASHER						1	

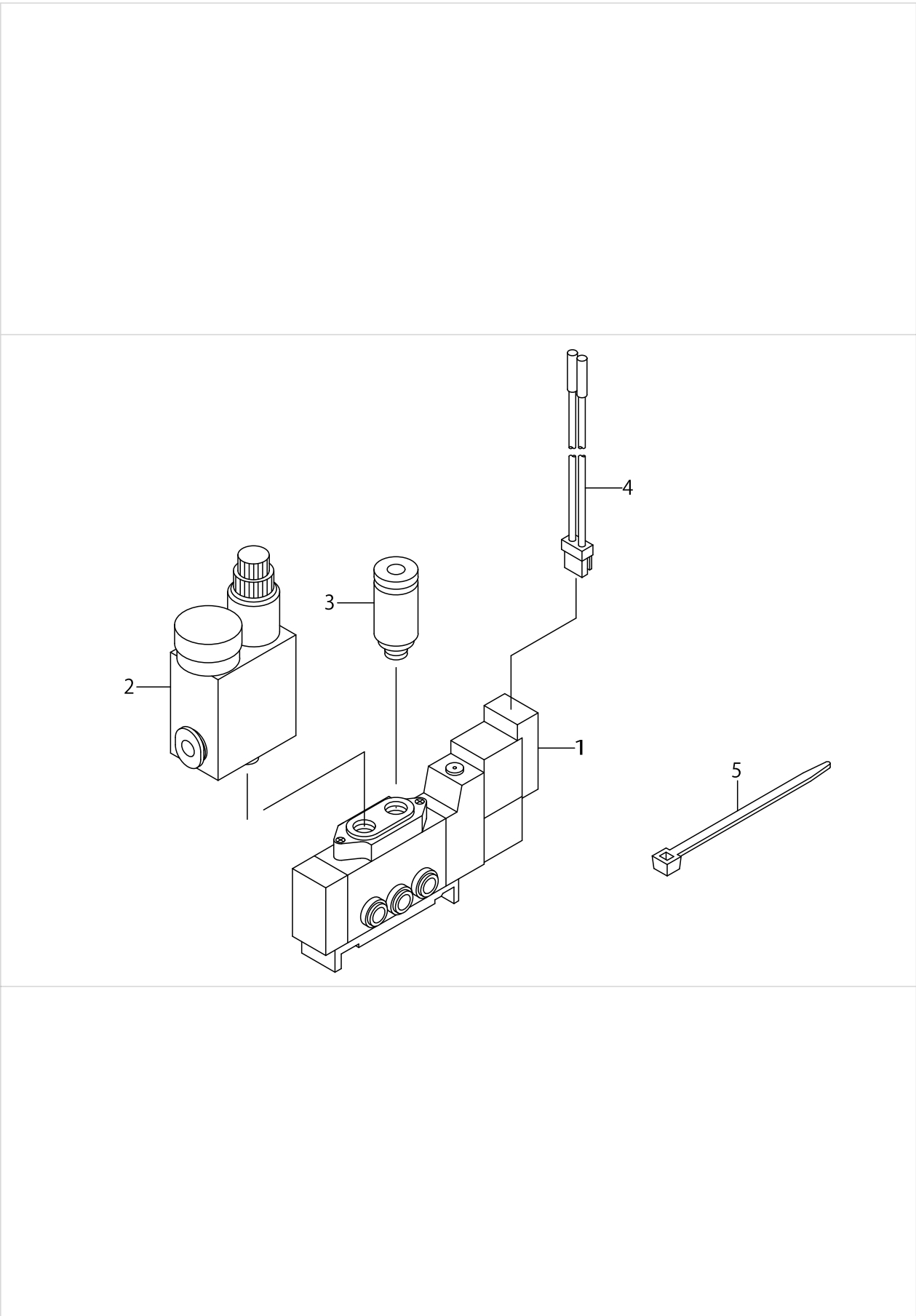
TUAN AROUND MECHANISM COMPONENTS (2)



TUAN AROUND MECHANISM COMPONENTS (2)

No.	Supply Code	Parts No.	Replacement	Parts name	Remarks	Choice	Step	Level	Cons	Qty	Rep. QTY
1		GFU010040A0		OUTER PRESSER S-LIDE PLATE ASM.						1	
2		GFU01004000		OUTER PRESSER SLIDE PLATE				*		1	
3		D255121XX00		WALKING FOOT (A)				*		1	
4		D255221XX00		WALKING FOOT (B)				*		1	
5		D255421XX00		COMPENSATING FOOT				*		2	
6		SS5090610SP		SCREW 9/64-40 L=6				*		2	
7		SS7110840SP		SCREW 11/64-40 L=7.8				*		4	
8		WP0371026SD		WASHER 3.7X7X1				*		2	
9		WP0480856SP		WASHER 4.8X8.4X0.8				*		4	

PNEUMATIC COMPONENTS



PNEUMATIC COMPONENTS

No.	Supply Code	Parts No.	Replacement	Parts name	Remarks	Choice	Step	Level	Cons	Qty	Rep. QTY
1		PV150209100		SOLENOID VALVE						1	
2		PF0205030A0		REGULATOR						1	
3		PJ301040505		HALF UNION	FOR S TY- PE, USE 2 PCS. FOR L TYPE, USE 1 PCS.					2	
4		40035324		SOLENOID VALVE CONNECTER ASM.						1	
5		EA9500B0100		CABLE BAND						3	

HOW TO MAKE USE OF THIS PARTS LIST

1.As to "#01" and "#02" refer to the "Note" given at the bottom of the respective pages.

2.Codes on the "Qty" column

- Each numeral indicates the number of parts required.
- "0.1" and "2.5" indicate the length (in meters) of the respective parts.

3.Parentheses mean that the corresponding part is a subpart that constructs an assembly part.

4.Dotted lines on the Figures indicate assembly parts.

1. リストページの# 0 1、# 0 2の印は、ページ下の"注記"の説明を参照下さい。
2. 数量欄の数字は、個数を表し、0. 1、2. 5等の数値は、長さ（単位メートル）を表します。
3. 数量欄の（ ）は、組部品を構成している子部品であることを意味します。
4. イラストページの-----枠は、組構成であることを意味します。

NUMERICAL INDEX OF PARTS

PART NO	PAGE	REF NO.
40035324	6	4
B4303210000	2	7
B4306220000	2	15
B4314210000	2	8
BT0400251EB	2	16
D255121XX00	4	3
D255221XX00	4	4
D255421XX00	4	5
EA9500B0100	6	5
GFU01001000	2	2
GFU01002000	2	3
GFU01003000	2	4
GFU010030A0	2	1
GFU01004000	4	2
GFU010040A0	4	1
GFU01006000	2	6
GFU01007000	2	19
PA1600801A0	2	5
PF0205030A0	6	2
PJ046052503	2	17
PJ301040505	6	3
PV150209100	6	1
RE0400000K0	2	9
SD0460703TP	2	18
SS1090750SP	2	13
SS5090610SP	4	6
SS6081210SP	2	10
SS6120940SP	2	12
SS7060610SP	2	11
SS7110840SP	4	7
WP0250516SD	2	14
WP0371026SD	4	8
WP0480856SP	4	9
WP0502616SD	2	20