

MODEL : AMB-289

List No : 1392-10

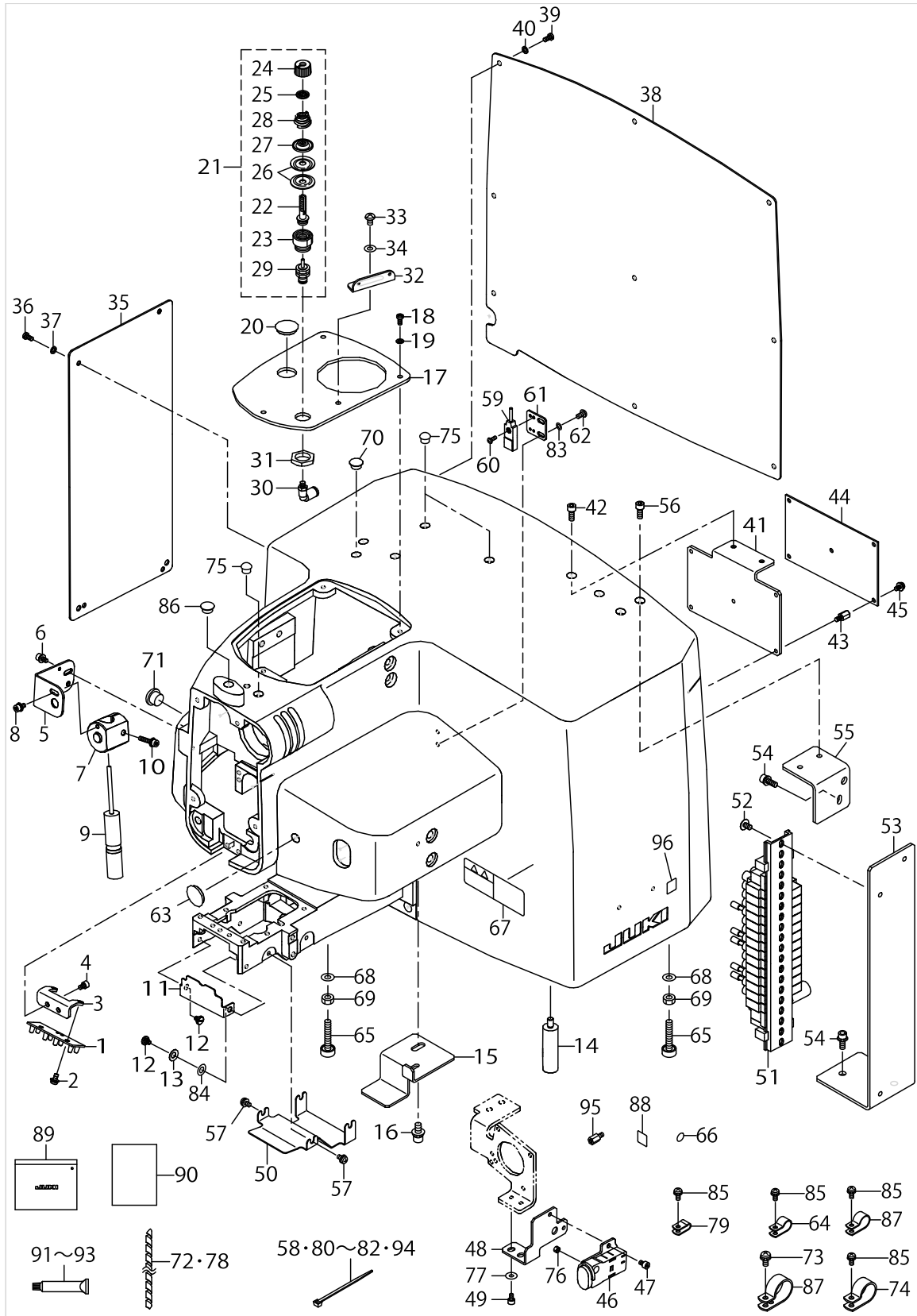
PARTS LIST

Published:05/12/2017

CONTENTS

FRAME & MISCELLANEOUS COVER COMPONENTS (1)	1
FRAME & MISCELLANEOUS COVER COMPONENTS (2)	7
MAIN SHAFT COMPONENTS (1)	11
MAIN SHAFT COMPONENTS (2)	15
THREAD TRIMMER COMPONENTS	19
THREAD HOOK & THREAD TENSION COMPONENTS	21
COUNTER BUTTON CLAMP & CLOTH PRESSER COMPONENTS.....	27
UPPER FEED COMPONENTS.....	31
UNDER FEED COMPONENTS	33
UP DOWN FEED & DIFF FEED COMPONENTS.....	37
WIPER COMPONENTS.....	41
TANG COMPONENTS.....	43
CHUCK COMPONENTS.....	45
LOADER COMPONENTS	49
CONTROL BOX COMPONENTS	51
OPERATION PANEL COMPONENTS	57
WIRING DIAGRAM COMPONENTS.....	59
ACCESSORIE PART COMPONENTS (1).....	63
ACCESSORIE PART COMPONENTS (2).....	67
THREAD STAND COMPONENTS.....	69
OPTION COMPONENTS (1) (TABLE)	71
OPTION COMPONENTS (2)	73
LIST FOR INFORMATION OF CHANGE.....	77
HOW TO MAKE USE OF THIS PARTS LIST	78

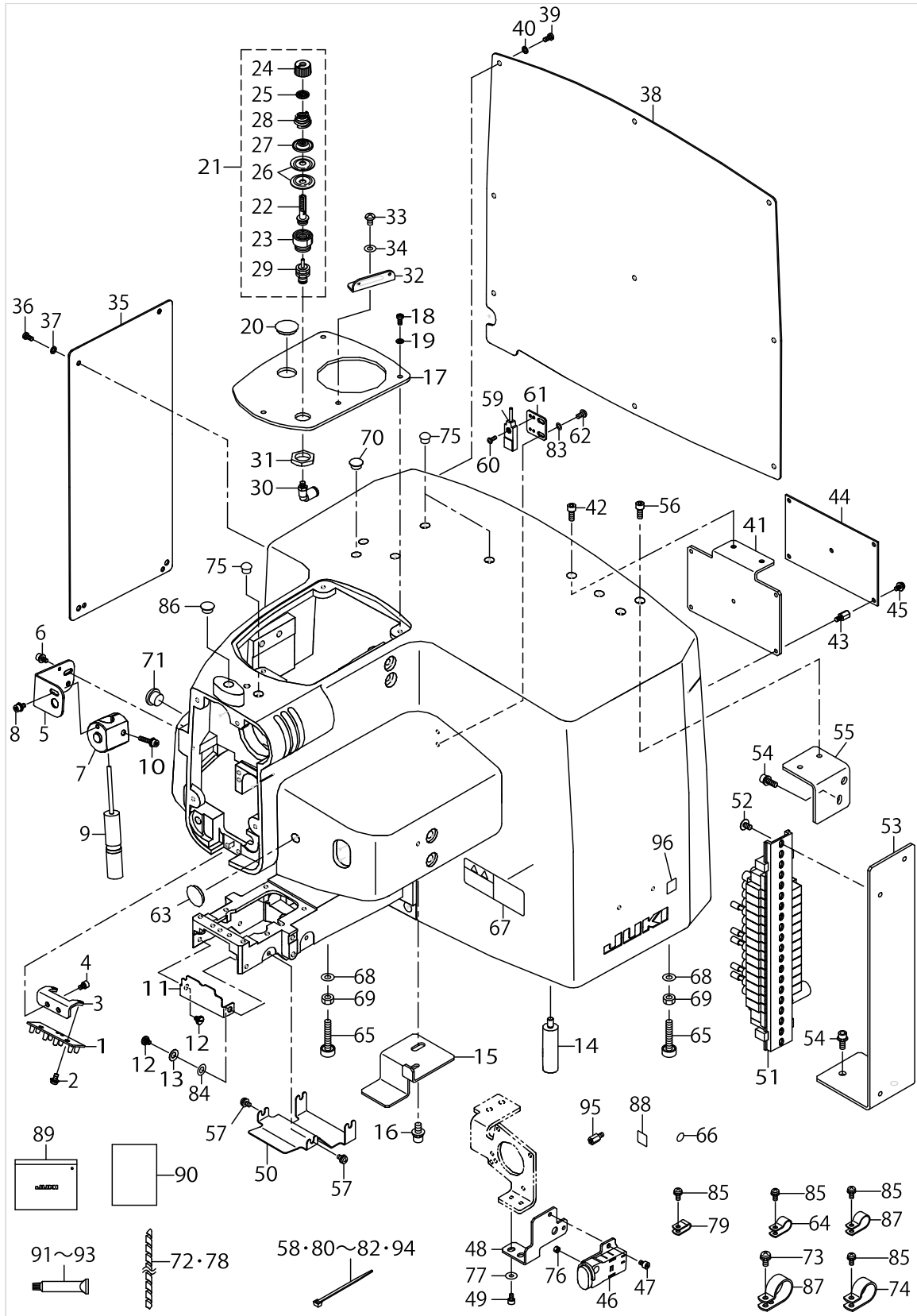
FRAME & MISCELLANEOUS COVER COMPONENTS (1)



FRAME & MISCELLANEOUS COVER COMPONENTS (1)

No.	Supply Code	Parts No.	Replacement	Parts name	Remarks	Choice	Step	Level	Cons	Qty	Rep. QTY
1		40018377		LED PCB ASSY						1	
2		SL4040891SC		SCREW M4 L=8						2	
3		40020993		LED_STAY						1	
4		SM6040602TP		SCREW M4 L=6						2	
5		40020994		LIGHT_STAY						1	
6		SL6040892TN		BOLT						2	
7		40020995		LIGHT_BUSH						1	
8		SL6040892TN		BOLT						1	
9		40019209		LIGHT MARKING PROJECTOR						1	
10		SL6042092TN		SCREW M4 L=20						1	
11		40020996		LOOPER_COVER						1	
12		SD0600208TP		SHOULDER SCREW						2	
13		WZ0640200KP		WAVE WASHER						1	
14		MAV04611000		BASE FLOAT PIN						2	
15		40020997		PLATE_STUD						1	
16		SL6061492TN		BOLT						1	
17		40020998		UPPER_COVER						1	
18		SM4040855SP		SCREW						3	
19		WP0450846SP		WASHER						3	
20		TA2050406R0		RUBBER PLUG						1	
21		G23013090A0		THREAD TENSION ASM.						1	
22		G2301309000		THREAD TENSION ROD				*		1	
23		G2302309000		THREAD TENSION ROD BASE				*		1	
24		11072204		TENSION NUT				*		1	
25		B3120125000		ROTATING STOPPER				*		1	
26	R	B3126012000	22921506	THREAD TENSION DISK				*		2	1.00
27		B3132552000		THREAD TENSION DISK PRESSER				*		1	
28		B3121352000		TENSION SPRING				*		1	
29		PA0600504A0		AIR CYLINDER				*		1	
30		PJ304040504		ELBOW UNION						1	
31		NM6160511SE		NUT M16X1.5						1	
32		26021402		THREAD GUIDE NO.1						1	
33		SM4050855SP		SCREW M5 L=8						1	
34		WP0550836SC		WASHER 5.5X12X0.8						1	
35		40020999		SIDE_COVER						1	
36		SM4040855SP		SCREW						4	
37		WP0450846SP		WASHER						4	
38		40021000		REAR_COVER_PLATE						1	
39		SM4040855SP		SCREW						9	
40		WP0450846SP		WASHER						9	
41		40021001		INT_PCB_STAY						1	
42		SM6051202TN		SCREW M5X0.8 L=12						2	
43		D5124206K0K		SPACER						5	
44		40012197		INT PCB ASSY						1	
45		SL4040891SC		SCREW M4 L=8						5	
46		32002354		SWITCH ASM.						1	

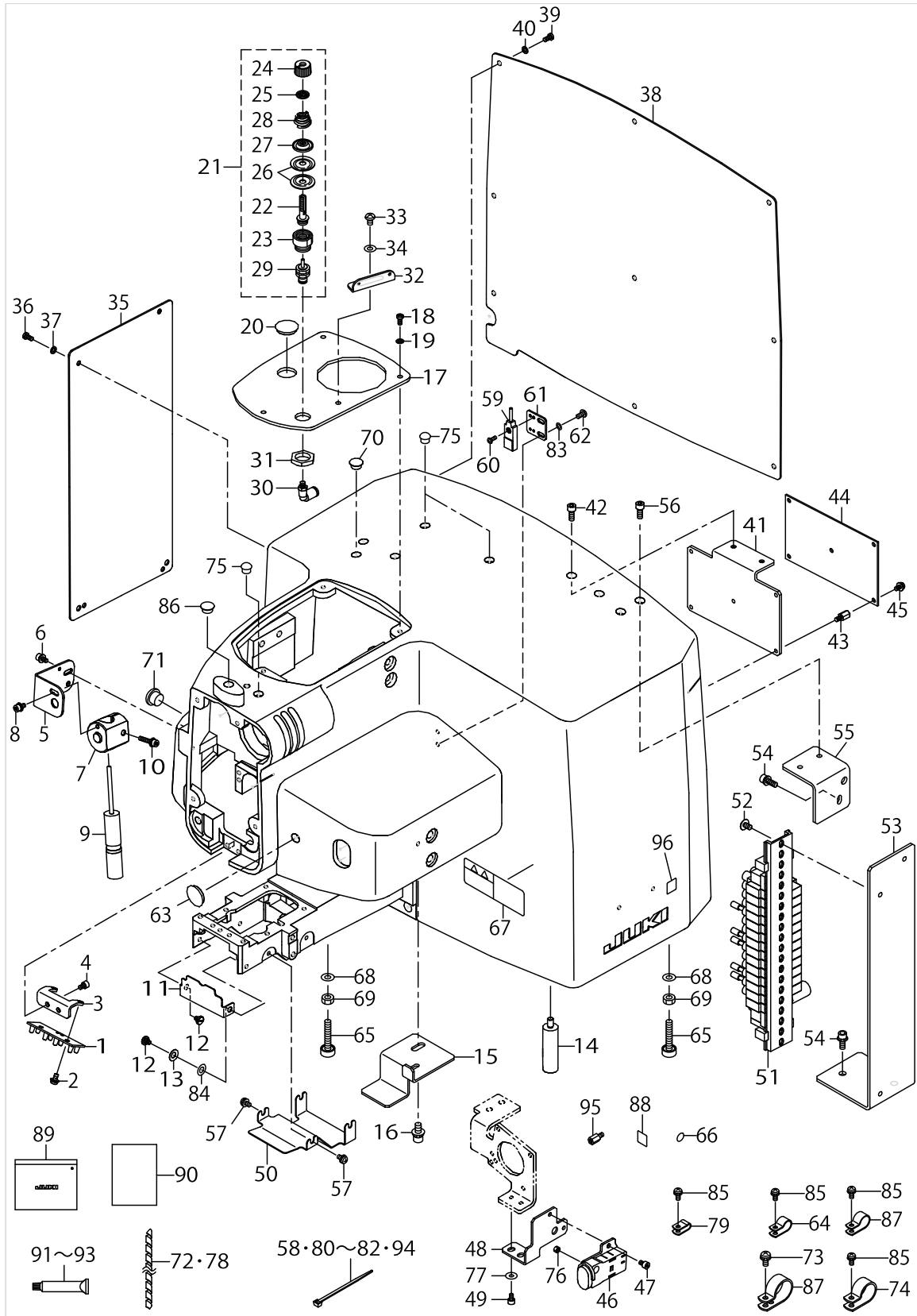
FRAME & MISCELLANEOUS COVER COMPONENTS (1)



FRAME & MISCELLANEOUS COVER COMPONENTS (1)

No.	Supply Code	Parts No.	Replacement	Parts name	Remarks	Choice	Step	Level	Cons	Qty	Rep. QTY
47		SM6040602TP		SCREW M4 L=6						2	
48		40021005		SW_STAY						1	
49		SM6040602TP		SCREW M4 L=6						2	
50		40020988		LOOPER_UNDER_COVER						1	
51		40021002		SOLENOID_VALVE_ASSY						1	
52		SM0050801SC		SCREW						2	
53		40021003		SOLENOID_VALVE_PLATE_A						1	
54		SL6051492TN		BOLT						3	
55		40021004		SOLENOID_VALVE_PLATE_B						1	
56		SM6051202TN		SCREW M5X0.8 L=12						2	
57		SL4040891SC		SCREW M4 L=8						4	
58		HX002920000		BAND						1	
59		40019201		SAFETY SWITCH ASSY						1	
60		SM4030855SN		SCREW M3 L=8.0						1	
61		40020890		UP_DOWN_SENSOR_PLATE						1	
62		SM4040855SP		SCREW						2	
63		TA2050406R0		RUBBER PLUG						1	
64		HX00150000D		CABLE CLIP						2	
65		GAK01003B00		PRESSER LIFTER STOPPER B						2	
66		E9567319000		EARTH MARK						1	
67		CM301300001		SAFETY LABEL						1	
68		WP0612056SD		WASHER 6.1X18.5X2						2	
69		NM6060001SC		NUT M6						2	
70		TA1050504R0		RUBBER PLUG						1	
71		40107892		RUBBER_CAP						1	
72		HX00314000A		SPIRAL TUBE						.2	
73		SL4051291SC		SCREW M5X0.8 L=12						1	
74		HX00150000K		CABLE CLIP						1	
75		TA0850604R0		RUBBER PLUG						3	
76		NS6110310SP		NUT 11/64-40						1	
77		WP0431005SP		PLAIN WASHER 4.3X12X1						2	
78		HX003140000		SPIRAL TABE						.5	
79		HX00150000A		CABLE CLAMP						1	
80		EA9500B0100		CABLE BAND						20	
81		EA9500B0200		CABLE BAND 150						7	
82		EA9500B0200		CABLE BAND 150						5	
83		WP0450846SP		WASHER						2	
84		E3080855000		S SHIM (0.4)						1	
85		SL4041091SC		SCREW M4 L=10						7	
86		TA1050504R0		RUBBER PLUG						1	
87		HX00150000F		CABLE CLIP						4	
88		CM600100101		WEEE MARK LABEL S						1	
89		22932800		ACCESSORIE BAG						1	
90		40020584		GREASING_MANUAL_AMB-289						1	
91		13525506		GREASE TUBE						1	
92		40006323		JUKI GREASE A TUBE						1	

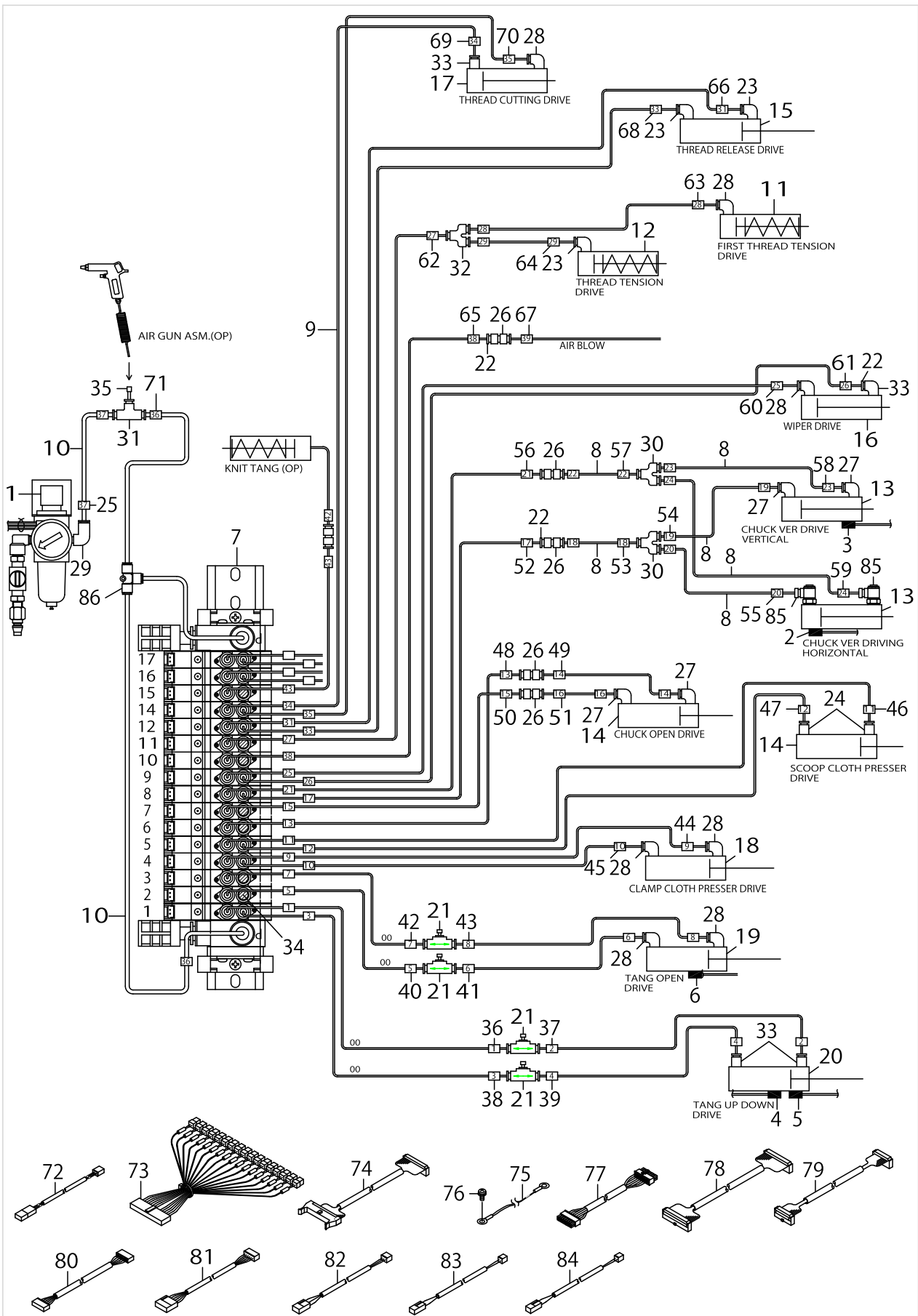
FRAME & MISCELLANEOUS COVER COMPONENTS (1)



FRAME & MISCELLANEOUS COVER COMPONENTS (1)

No.	Supply Code	Parts No.	Replacement	Parts name	Remarks	Choice	Step	Level	Cons	Qty	Rep. QTY
93		40013640		JUKI_GREASE_B_TUBE						1	
94		HX002920000		BAND						1	
95		D5124206K0K		SPACER						1	
96		40116677		GOST_SAFTY_LABEL_S						1	

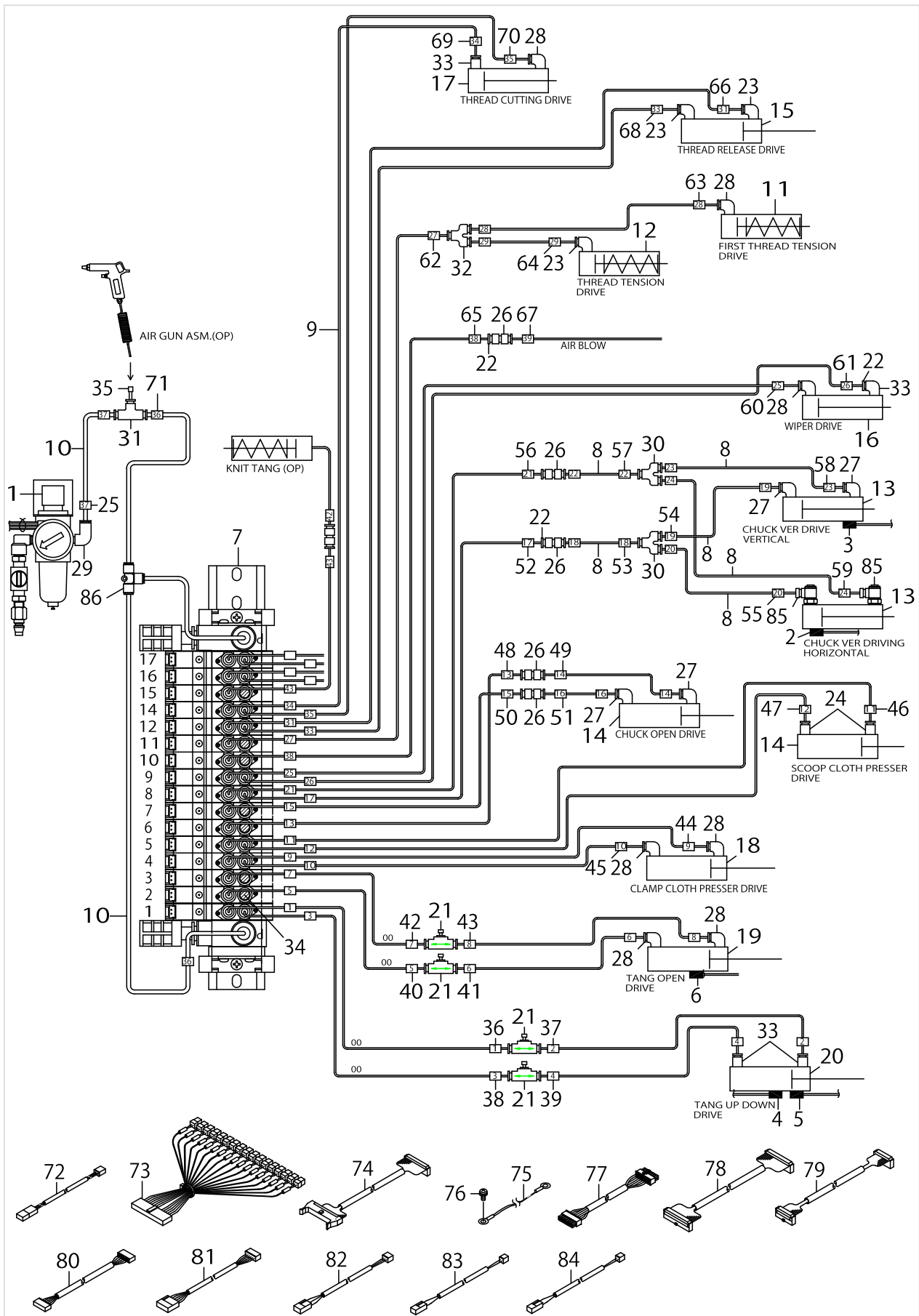
FRAME & MISCELLANEOUS COVER COMPONENTS (2)



FRAME & MISCELLANEOUS COVER COMPONENTS (2)

No.	Supply Code	Parts No.	Replacement	Parts name	Remarks	Choice	Step	Level	Cons	Qty	Rep. QTY
1		40019187		FILTER REGULATOR						1	
2		40019195		CHUCK HOR SWITCH ASSY						1	
3		40019196		CHUCK VER SWITCH ASSY						1	
4		40019197		FEED UP SWITCH ASSY						1	
5		40019198		FEED DOWN SWITCH ASSY						1	
6		40019199		TONGUE OPEN SWITCH ASSY						1	
7		40021002		SOLENOID_VALVE_ASSY						1	
8		BT0180101EB		TUBE HOSE						1	
9		BT0400251EB		URETHANE HOSE BLACK						12	
10		BT0800501EB		VINYL TUBE						2	
11		G23013090A0		THREAD TENSION ASM.						1	
12		PA0600504A0		AIR CYLINDER						1	
13		PA0801501A0		AIR CYLINDER						2	
14		PA1002010A0		AIR CYLINDER						2	
15		PA1002011A0		AIR CYLINDER						1	
16		PA1007502A0		AIR CYLINDER						1	
17		PA1502502A0		AIR CYLINDER						1	
18		PA1602006B0		AIR CYLINDER						1	
19		PA1603014A0		AIR CYLINDER						1	
20		PA2001506A0		AIR CYLINDER						1	
21		PC012406000		SPEED CONTROLLER						4	
22		PC022403E00		INSERT RING						3	
23		PJ046052503		HOSE ELBOW						3	
24		PJ210304010		HALF UNION						2	
25		18038604		WIRE MARK (37)						4	
26		PJ303040005		UNION						5	
27		PJ304020301		ELBOW						4	
28		PJ304040504		ELBOW UNION						7	
29		PJ304085101		ELBOW UNION						1	
30		PJ305020001		T-JOINT						2	
31		PJ305080001		PIPE TEE						1	
32		PJ308040002		QUICK COUPLING						1	
33		PJ301040502		HALF UNION 4XM5						4	
34		PX500014000		PLUG						6	
35		PX950001000		PLUG						1	
36		18035006		CABLE MARK NO.1						4	
37		18035105		WIRE MARK (2)						4	
38		18035204		WIRE MARK (3)						4	
39		18035303		WIRE MARK (4)						4	
40		18035402		WIRE MARK (5)						4	
41		18035501		WIRE MARK (6)						4	
42		18035600		WIRE MARK (7)						4	
43		18035709		WIRE MARK (8)						4	
44		18035808		WIRE MARK (9)						4	
45		18035907		WIRE MARK (10)						4	
46		18036004		WIRE MARK						4	

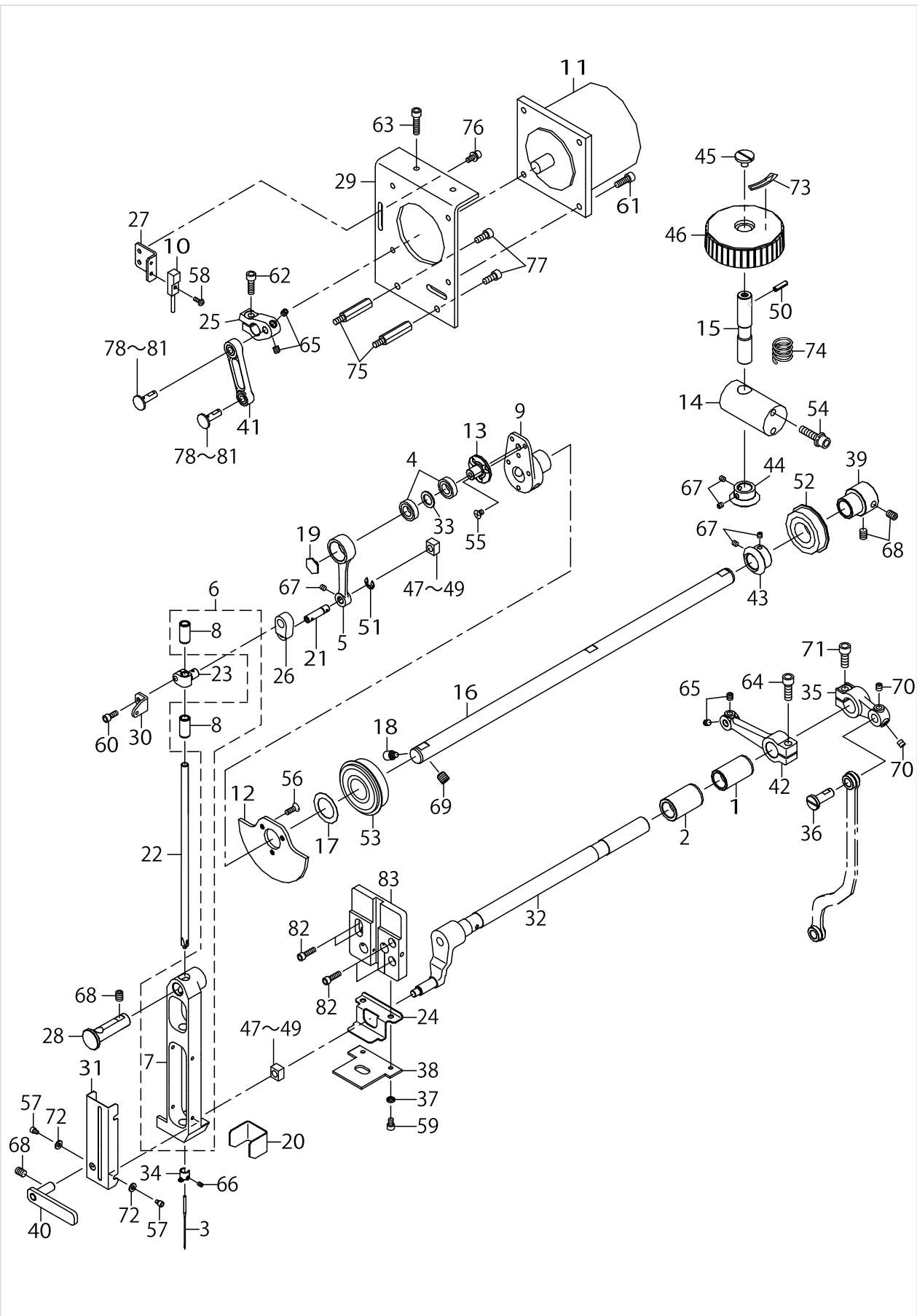
FRAME & MISCELLANEOUS COVER COMPONENTS (2)



FRAME & MISCELLANEOUS COVER COMPONENTS (2)

No.	Supply Code	Parts No.	Replacement	Parts name	Remarks	Choice	Step	Level	Cons	Qty	Rep. QTY
47		18036103		WIRE MARK (12)						4	
48		18036202		WIRE MARK (13)						4	
49		18036301		WIRE MARK (14)						4	
50		18036400		WIRE MARK (15)						4	
51		18036509		WIRE MARK (16)						4	
52		18036608		WIRE MARK (17)						4	
53		18036707		WIRE MARK (18)						4	
54	D	18036806		WIRE MARK (19)						4	
55		18036905		WIRE MARK (20)						4	
56		18037002		WIRE MARK (21)						4	
57		18037101		WIRE MARK (22)						4	
58		18037200		WIRE MARK (23)						4	
59		18037309		WIRE MARK (24)						4	
60		18037408		WIRE MARK (25)						4	
61		18037507		WIRE MARK 26						4	
62		18037606		WIRE MARK 27						4	
63	D	18037705		WIRE MARK (28)						4	
64	D	18037804		WIRE MARK (29)						4	
65		18038703		WIRE MARK (38)						4	
66	D	18038000		WIRE MARK (31)						4	
67		18038802		WIRE MARK (39)						4	
68		18038208		WIRE MARK (33)						4	
69	D	18038307		WIRE MARK (34)						4	
70		18038406		WIRE MARK (35)						4	
71		18038505		WIRE MARK (36)						4	
72		40012836		PAUSE SWITCH JOI- NT CORD ASSY						1	
73		40019210		AIR VALVE CORD ASSY						1	
74		40019236		AIR VALVE JOINT CORD ASSY						1	
75		M90195800A0		EARTH CABLE ASM.						1	
76		SL4041091SC		SCREW M4 L=10						1	
77		40000079		MAIN-INT CORD A ASSY						1	
78		40000080		MAIN-INT CORD B ASSY						1	
79		40000082		MAIN-INT CORD C ASSY						1	
80		40000084		MAIN-INT CORD D ASSY						1	
81		40021152		LOADER MOTOR J- OINT CORD ASSY						1	
82		40021153		LOADER SENSOR J- OINT CORD ASSY						1	
83		40021154		VCM JOINT CORD ASSY						1	
84		40022475		THERMISTOR JOINT CORD ASSY						1	
85		PJ046039003		ELBOW						2	
86		PJ305080003		T-JOINT D=8						1	

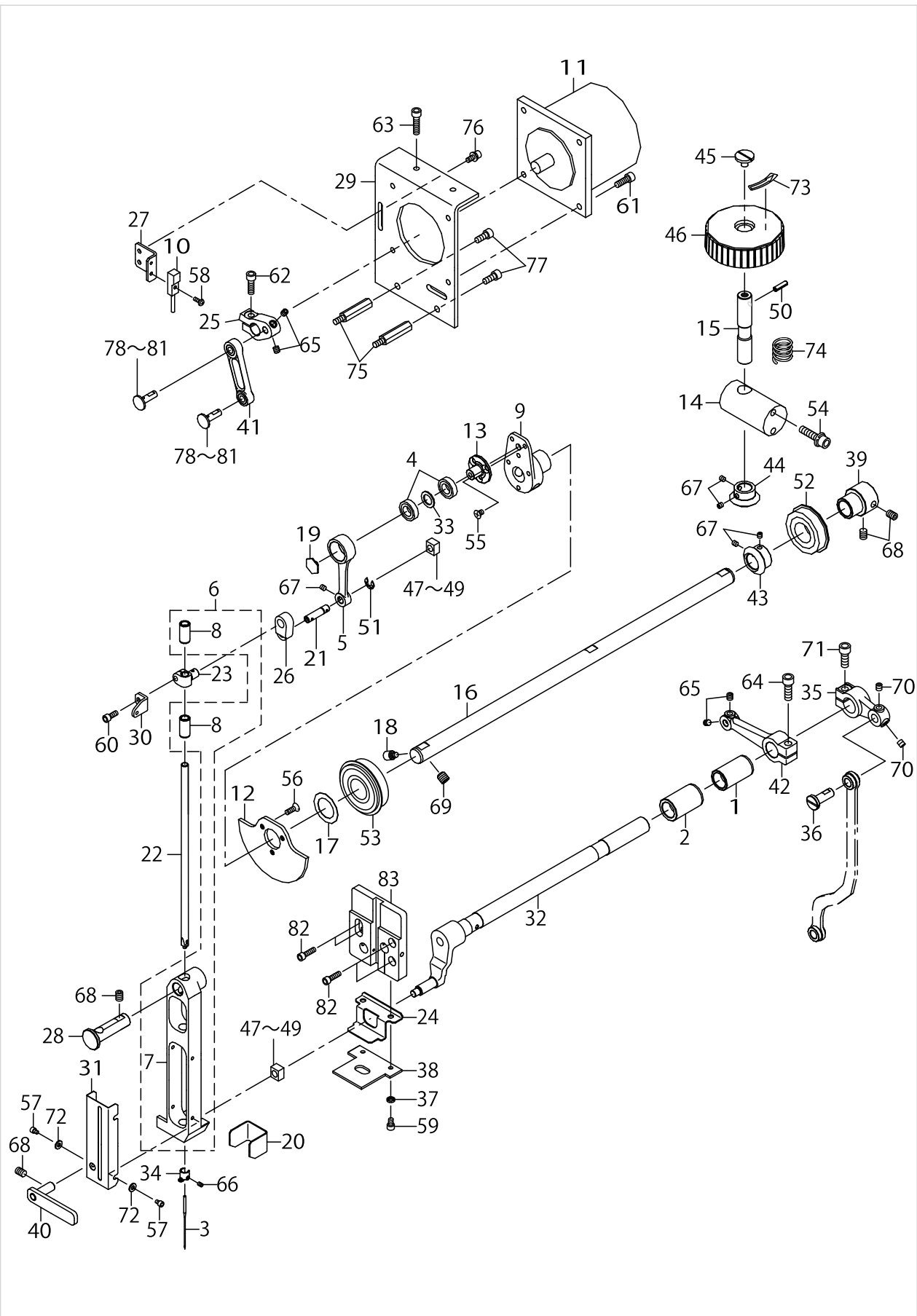
MAIN SHAFT COMPONENTS (1)



MAIN SHAFT COMPONENTS (1)

No.	Supply Code	Parts No.	Replacement	Parts name	Remarks	Choice	Step	Level	Cons	Qty	Rep. QTY
1		40004217		BUSHING_REAR						1	
2		40004216		BUSHING						1	
3		MSM3AAN1400		NEEDLE SMX332EXTLG-NY #14					☆	1	
4		SB110002600		BEARING						2	
5		40001987		CRANK_ROD						1	
6		40020656		ASSY_NEEDLE_BAR_FRAME						1	
7		40001988		NEEDLE_BAR_FRAME				*		1	
8		40020653		NEEDLE_BAR_METAL				*		2	
9		40002006		BALANCER						1	
10		40019188		NEEDLE SWING SENSOR ASSY						1	
11		40019202		NEEDLE SWING MOTOR ASM.						1	
12		40020596		COUNTER_WEIGHT						1	
13		40020597		CRANK_SHAFT						1	
14		40020598		HAND_PULLEY_BASE						1	
15		40020599		HAND_PULLEY_SHAFT						1	
16		40020604		MAIN_SHAFT						1	
17		40020610		WASHER						1	
18		40020612		SCREW						1	
19		40020613		SCREW						1	
20		40020645		ARM_THREAD_GUIDE						1	
21		40020647		CRANK_ROD_SHAFT						1	
22		40020649		NEEDLE_BAR						1	
23		40020650		NEEDLE_BAR_CONNECTION						1	
24		40020651		NEEDLE_BAR_COVER_A						1	
25		40001990		MOTOR_LEVER						1	
26		40020654		NEEDLE_BAR_ROD						1	
27		40020655		SENSOR_PLATE						1	
28		40020659		ZIGZAG_BASE_SHAFT						1	
29		40020661		ZIGZAG_MOTOR_PLATE						1	
30		40020663		TAKE_UP						1	
31		40020664		TAKE_UP_COVER						1	
32		40020662		ASSY_ZIGZAG_LEVER_SHAFT						1	
33		10109700		THRUST WASHER A						1	
34		10308401		NEEDLE BAR THREAD GUIDE						1	
35		40020621		LOOPER_DRIVE_LEVER						1	
36		13715701		FRAME ROCK SHAFT CRANK PIN						1	
37		B1623180000		WASHER						2	
38		40020644		FELT						1	
39		23604200		MAIN SHAFT BEARING SUPPORT						1	
40		40004218		FRAME_SUPPORT_PLATE_ASM.						1	
41		40004378		ZIGZAG_ROD_ASM.						1	
42		40004380		ZIGZAG_LEVER_REAR						1	
43		40006515		GEAR_A						1	
44		40006516		GEAR_B						1	
45		A1230500000A		HANDWHEEL SETSCREW						1	
46		B1212210D00		PULLEY						1	

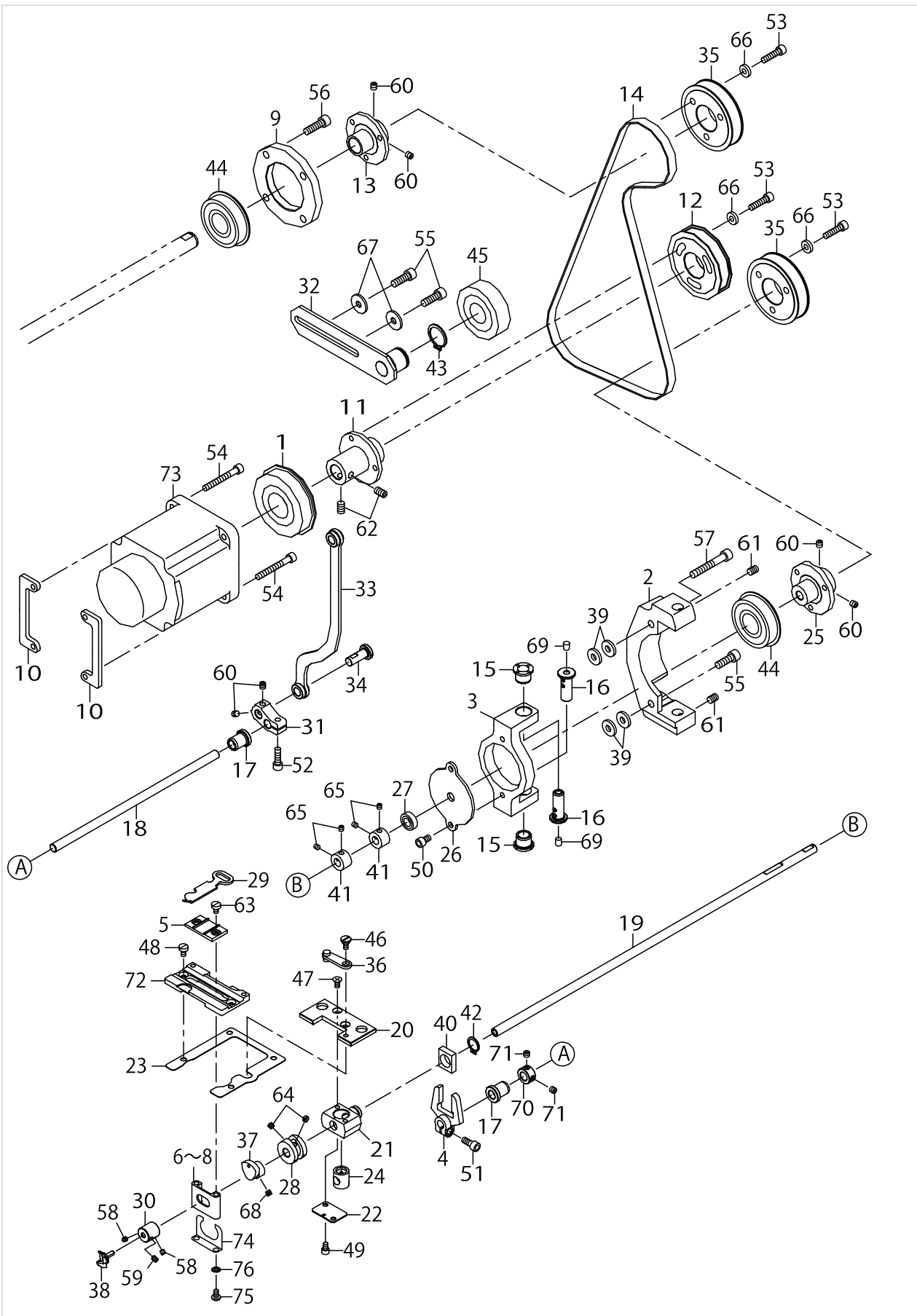
MAIN SHAFT COMPONENTS (1)



MAIN SHAFT COMPONENTS (1)

No.	Supply Code	Parts No.	Replacement	Parts name	Remarks	Choice	Step	Level	Cons	Qty	Rep. QTY
47		B1414232000		SQUARE BLOCK	SELECTIVE PARTS					2	
48		B141423200A		CRANK SLIDE BLOCK	SELECTIVE PARTS					1	
49		B141423200B		GUIDE ROLLER	SELECTIVE PARTS					1	
50		PS0400142KH		SPRING PIN 4X14						1	
51		RE0500000K0		E-RING						1	
52		SB120000200		BEARING 20X42						1	
53		SB120000900		BEARING						1	
54		SL6062542TN		SCREW						2	
55		SM1040601SC		SCREW M4X0.7 L=6						3	
56	R	SM1041201SP	SM1041201SC	SCREW M4X0.7 L=12						3	1.00
57		SM6030402TP		SCREW M3X0.5 L=4						4	
58		SM4030855SN		SCREW M3 L=8.0						1	
59		SM6040602TP		SCREW M4 L=6						4	
60		SM6041002TP		SCREW M4 L=10						1	
61		SM6051402TP		SCREW M5X0.8 L=14						4	
62		SM6051602TP		SCREW M5X0.8 L=16						2	
63		SM6052002TN		BOLT						11	
64		SM6061802TP		SCREW M6 L=18						1	
65		SM8050512TP		SCREW						4	
66		SM8030350TP		SCREW					☆	1	
67		SM8040412TP		SET SCREW M4 L=4						5	
68		SM8060812TP		SCREW M6 L=8						4	
69		SM8080812TP		SCREW M8X8						1	
70		SM8050512TP		SCREW						2	
71		SM6061602TP		SCREW M6 L=16						1	
72		WP0371016SD		WASHER 3.7X8X1						4	
73		B1144210000		REVOLVING DIRECTION LABEL						1	
74		GAF01007000		SPRING						1	
75		40020665		ZIGZAG_MOTOR_PLATE_STUD						2	
76		SL6041092TN		SCREW						2	
77		SM6051202TP		SCREW M5X0.8 L=12						2	
78	R	23544802	40010289	JUNCTION SHAFT D	SELECTIVE PARTS					1	1.00
79	R	23544109	40010286	JUNCTION SHAFT A	SELECTIVE PARTS					2	1.00
80	R	23544208	40010287	JUNCTION SHAFT B	SELECTIVE PARTS					1	1.00
81	R	23544307	40010288	JUNCTION SHAFT C	SELECTIVE PARTS					1	1.00
82		SM6041402TP		SCREW M4 L=14						4	
83		40001991		SLIDE_BLOCK						1	

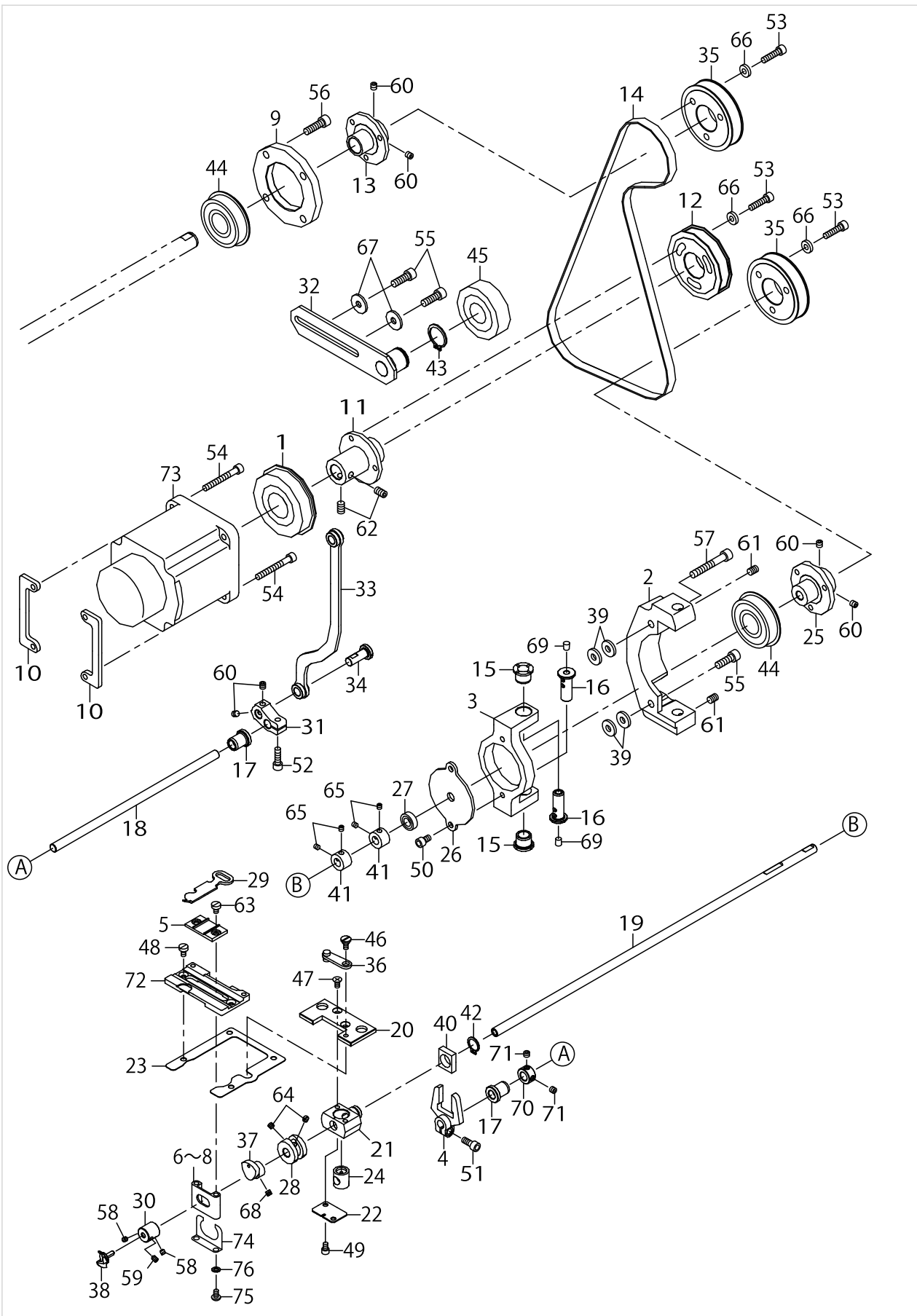
MAIN SHAFT COMPONENTS (2)



MAIN SHAFT COMPONENTS (2)

No.	Supply Code	Parts No.	Replacement	Parts name	Remarks	Choice	Step	Level	Cons	Qty	Rep. QTY
1		SB125000400		BEARING						1	
2		40001989		LOOPER_DRIVE_BASE						1	
3		40001993		LOOPER_SHAFT_BASE						1	
4		40001995		LOOPER_DRIVE_ROD						1	
5		40002002		YOKE_SLIDE_A						1	
6		40002003		YOKE_SLIDE_B	SELECTIVE PARTS					1	
7		40020641		YOKE_SLIDE_BB	SELECTIVE PARTS					1	
8		40020642		YOKE_SLIDE_BC	SELECTIVE PARTS					1	
9		40020600		HOUSING						1	
10		40020605		MOTOR_PLATE						2	
11		40020606		MOTOR_PULLEY_BUSH						1	
12		40020607		SPROCKET						1	
13		40020608		SPROCKET_BUSH_A						1	
14		40020609		TIMING_BELT						1	
15		40020616		LOOPER_DRIVE_BASE_METAL						2	
16		40020617		LOOPER_DRIVE_BASE_PIN						2	
17		40020620		LOOPER_DRIVE_METAL						2	
18		40020622		LOOPER_DRIVE_SHAFT						1	
19		40020623		LOOPER_SHAFT						1	
20		40020625		LOOPER_SLIDE_BLOCK_A						1	
21		40020626		LOOPER_SLIDE_BLOCK_B						1	
22		40020627		LOOPER_SLIDE_PLATE						1	
23		40020628		LOOPER_SLIDE_SPACER						1	
24		40020629		PIVOT						1	
25		40020630		SPROCKET_BUSH_B						1	
26		40020631		THRUST_PLATE						1	
27		SB408000100		BEARING						1	
28		40020633		YOKE_CAM						1	
29		40020634		YOKE_SLIDE					☆	1	
30		40020639		LOOPER_SLEEVE						1	
31		40020640		LOOPER_DRIVE_LEVER_B						1	
32		40020611		ASSY_IDLER_PLATE						1	
33		40020638		ASSY_LOOPER_DRIVE_LINK						1	
34		13715701		FRAME ROCK SHAFT CRANK PIN						1	
35		40020614		SPROCKET_A						2	
36		26003756		LOOP POSITIONING FINGER LEVER						1	
37		26003103		LOOP POSITIONING FINGER CAM A						1	
38		B1239372000		LOOPER					☆	1	
39		WP0612516SD		WASHER 6.1X15.2X2.5						4	
40		26024604		LNDICATOR PIN BEARING BLOCK						1	
41		CS0791016SH		THRUST HOLDER D=7.94 W=10						2	
42		RC1200001KP		C-SHAPED SNAP RING						1	
43		RC1850001KP		SNAP RING 18.5						1	
44		SB120000900		BEARING						2	
45		SB120001100		ROLLER BEARING						1	

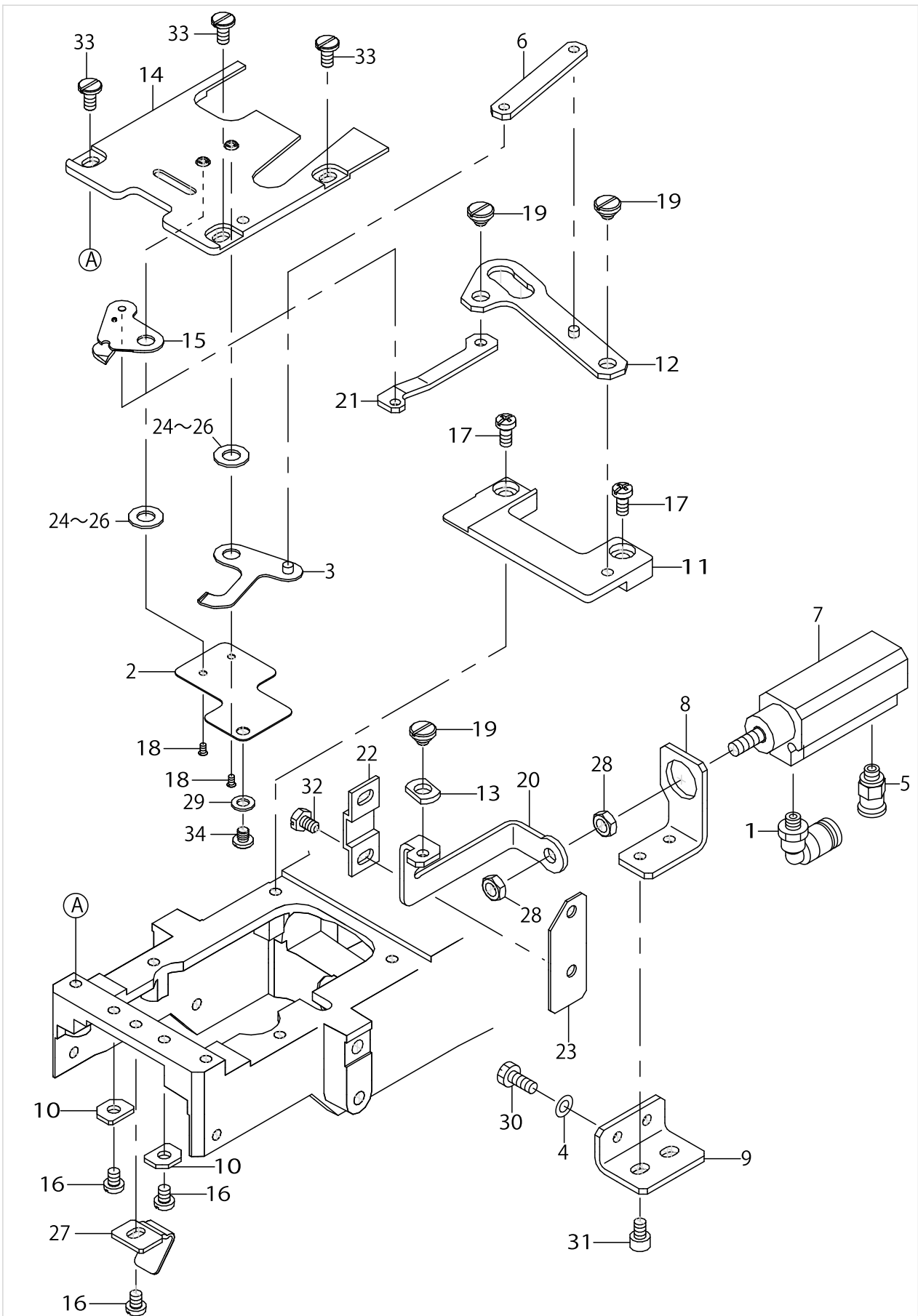
MAIN SHAFT COMPONENTS (2)



MAIN SHAFT COMPONENTS (2)

No.	Supply Code	Parts No.	Replacement	Parts name	Remarks	Choice	Step	Level	Cons	Qty	Rep. QTY
46		SD0640246SP		HINGE SCREW D=6.35 H=2.4						1	
47		SM1040800SP		SCREW						2	
48		SM6040750TP		SCREW M4 L=7						2	
49		SM6040602TP		SCREW M4 L=6						2	
50		SM6050802TP		SCREW M5X0.8 L=8						2	
51		SM6051202TP		SCREW M5X0.8 L=12						1	
52		SM6051602TP		SCREW M5X0.8 L=16						1	
53		SM6052002TN		BOLT						9	
54		SM6054502TN		SCREW M5 L=45						4	
55		SM6061802TP		SCREW M6 L=18						3	
56		SM6062002TN		SCREW M6 L=20						4	
57		SM6064002TP		SCREW M6 L=40						1	
58		SM8040310SS		SCREW M4 L=3					☆	2	
59		SM8040612TP		SCREW M4 L=6						1	
60		SM8050512TP		SCREW M5 L=5						6	
61		SM8060812TP		SCREW M6 L=8						2	
62		SM8061002TP		SCREW M6 L=10						2	
63		SS6110610TP		SCREW 11/64-40 L=6						2	
64		SS8110410TP		SCREW 11/64-40 L= 3.5						2	
65		SS8110422TP		SCREW 11/64-40 L=4						4	
66		WP0502616SD		WASHER						9	
67		WP0612056SD		WASHER 6.1X18.5X2						2	
68		SS8110410TP		SCREW 11/64-40 L= 3.5						2	
69		TA0490601R0		PLUG D=4.9X5.5 L=6						2	
70		CS0800971TP		THRUST COLLAR D=8 W=9						1	
71		SM8050512TP		SCREW M5 L=5						2	
72		40002007		YORK_SLIDE_INSERT						1	
73		40028015		AC SERVO MOTOR						1	
74		40069006		YOKE_SLIDE_COVER						1	
75		SS4110715SP		SCREW 11/64-40 L=7						2	
76		WP0450846SP		WASHER						2	

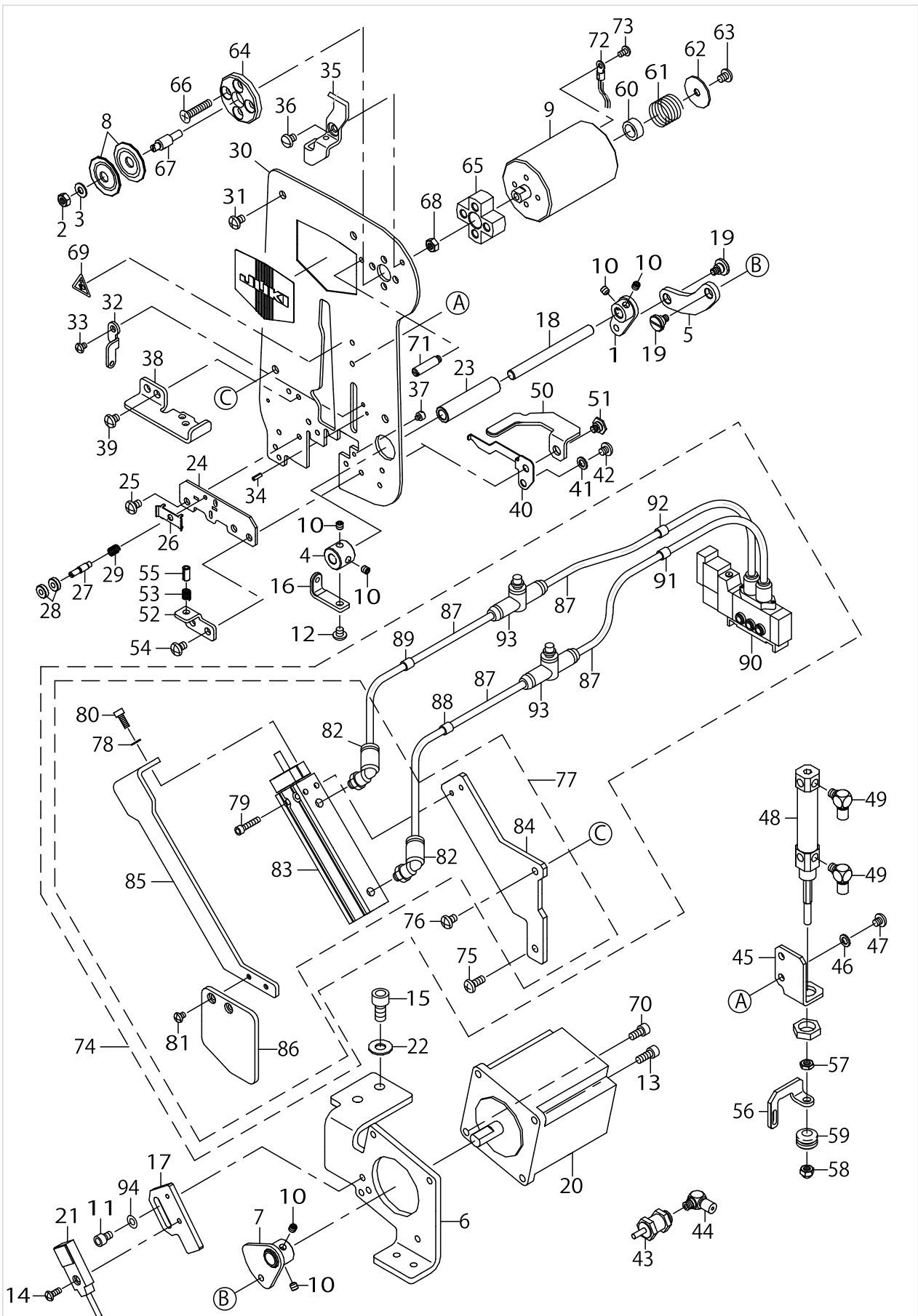
THREAD TRIMMER COMPONENTS



THREAD TRIMMER COMPONENTS

No.	Supply Code	Parts No.	Replacement	Parts name	Remarks	Choice	Step	Level	Cons	Qty	Rep. QTY
1		PJ304040504		ELBOW UNION						1	
2		40020675		CLAMP_SUPPORT_PLATE						1	
3		40020670		COUNTER_KNIFE_ASSY					☆	1	
4		WP0430800SC		WASHER M4						2	
5		PJ301040502		HALF UNION 4XM5						1	
6		40020685		COUNTER_KNIFE_CONNECT_LINK						1	
7		PA1502502A0		AIR CYLINDER						1	
8		40020680		CYLINDER_PLATE						1	
9		40020687		CYLINDER_PLATE_BASE						1	
10		40020689		GUIDE_BASE						1	
11		40002001		LOOPER_SLIDE_GUIDE_B						1	
12		40020678		MOVING_AND_COUNTER_CONNECT_ASSY						1	
13		40020676		SQUARE_BLOCK						1	
14		40020672		THROAT_PLATE_ASSY						1	
15		B24063730A0		MOVING KNIFE ASM.					☆	1	
16		SM4040555SP		SCREW						3	
17		SM4040855SP		SCREW						2	
18		SM1020450TH		SCREW						2	
19		SD0600207TP		SHOULDER SCREW						3	
20		40020686		MOVING_KNIFE_LINK						1	
21		40020677		MOVING_KNIFE_LINK_2						1	
22		40020681		MOVING_KNIFE_LINK_GUIDE						1	
23		40020690		CUTTER_LINK_GUIDE						1	
24		40020684		MOVING_KNIFE_WASHER_0.9	SELECTIVE PARTS					1	
25		40020683		MOVING_KNIFE_WASHER_1.0	SELECTIVE PARTS					1	
26		40020682		MOVING_KNIFE_WASHER_1.1	SELECTIVE PARTS					1	
27		40020688		NEEDLE_GUARD						1	
28		NM6050003SC		NUT M5X0.8						2	
29		WP0430800SC		WASHER M4						1	
30		SM9041050SC		SCREW M4X0.7 L=10						2	
31		SM6040602TP		SCREW M4 L=6						2	
32		SM9040600SP		HEAXGON BOLT						2	
33		SM6040860TP		SCREW M4 L=8						3	
34		SM6040450TP		SCREW M4 L=4						1	

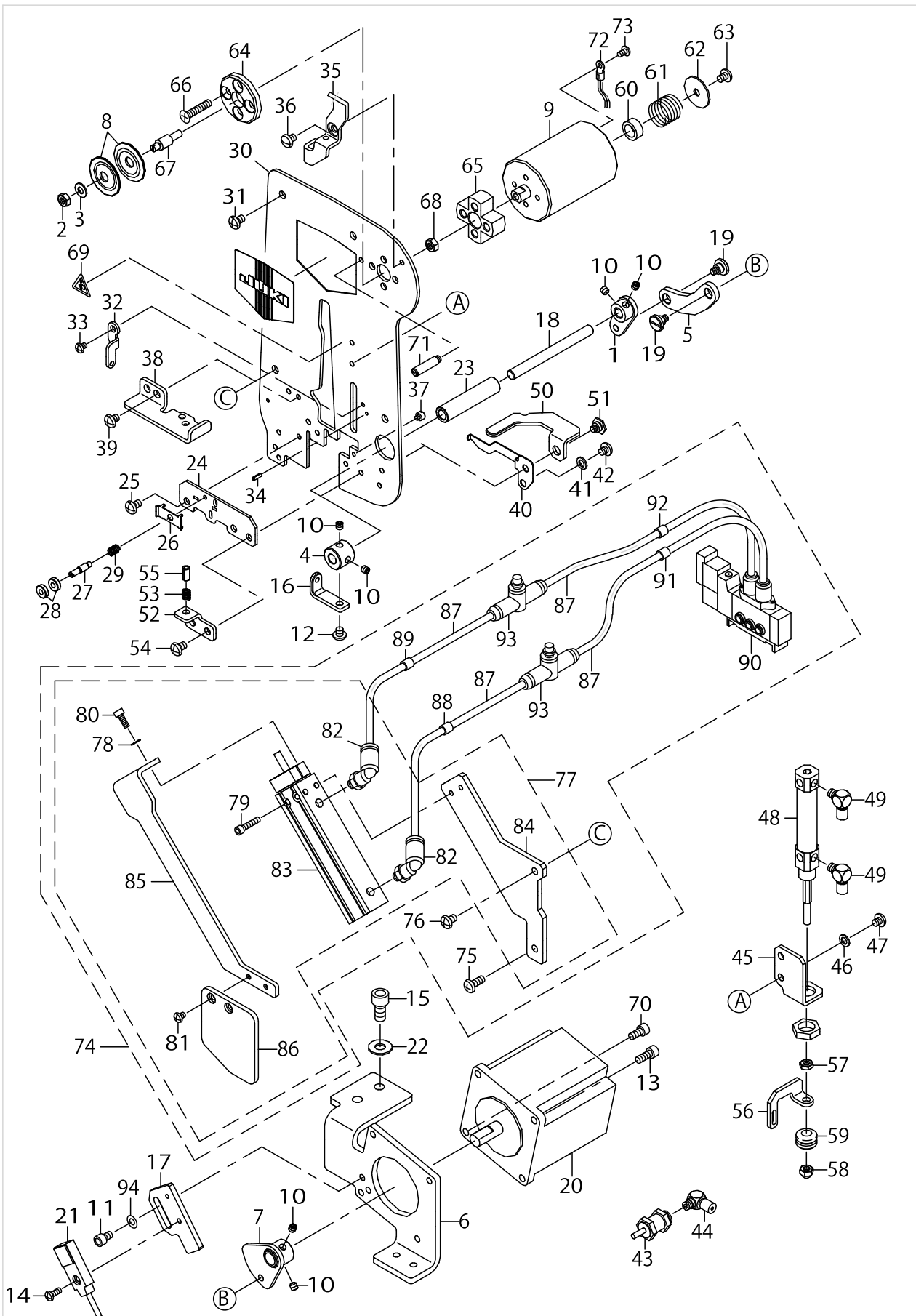
THREAD HOOK & THREAD TENSION COMPONENTS



THREAD HOOK & THREAD TENSION COMPONENTS

No.	Supply Code	Parts No.	Replacement	Parts name	Remarks	Choice	Step	Level	Cons	Qty	Rep. QTY
1		40020741		ASSY_CONNECT						1	
2		NM6040002SN		NUT M4						1	
3		WP0430801SC		WASHER 4.3X9X0.8						1	
4		40020734		BOSS						1	
5		40020736		CONNECT_LINK						1	
6		40020740		HOOK_MOTOR_PLATE						1	
7		40020730		MOTOR_ARM						1	
8		13138201		THREAD TENSION DISK						2	
9		40020700		VCM						1	
10		SM8040412TP		SET SCREW M4 L=4						6	
11		SM6040602TP		SCREW M4 L=6						2	
12		SM4040455SP		SCREW						1	
13		SM6041002TP		SCREW M4 L=10						3	
14		SM4030855SN		SCREW M3 L=8.0						1	
15		SM6061202TP		SCREW M6 L=12						2	
16		40020733		SECOND_THREAD_GUIDE						1	
17		40020738		SENSOR_PLATE_N						1	
18		40020744		SHAFT						1	
19		SD0600326TP		SHOULDER SCREW D6 H3.2						2	
20		40019207		THREAD MOTOR ASSY						1	
21		40019193		THREAD SENSOR ASSY						1	
22		WP0621046SP		WASHER						2	
23		40020735		FACE_PLATE_BOSS						1	
24		40020696		THREAD_PRESSER_BASE						1	
25		SM4040655SP		SCREW M4 L=6						1	
26		10129104		THREAD PRESSER PLATE						1	
27		25002809		THREAD TENSION STUD						1	
28		25002908		THREAD TENSION NUT						2	
29		B1135850000		TENSION SPRING (A)						1	
30		40020694		FACE_PLATE						1	
31		SM4040655SP		SCREW M4 L=6						4	
32		40020711		THIRD_THREAD_GUIDE						1	
33		SM4030455SP		SCREW						1	
34		PS0200062KH		SPRING PIN 2X6						1	
35		40020710		TEREAD_GUIDE_B						1	
36		SM5040550TP		SCREW M4 L=5						1	
37		40021831		STOPPER_PIN						1	
38		40020695		THREAD_GUIDE						1	
39		SM4040555SP		SCREW						2	
40		40021900		THREAD_RELEASING_PLATE						1	
41		WP0450846SP		WASHER						1	
42		SM4040455SP		SCREW						1	
43		PA0600504A0		AIR CYLINDER						1	
44		PJ046052503		HOSE ELBOW						1	
45		40020701		CYLINDER_STAY						1	
46		WP0450846SP		WASHER						2	

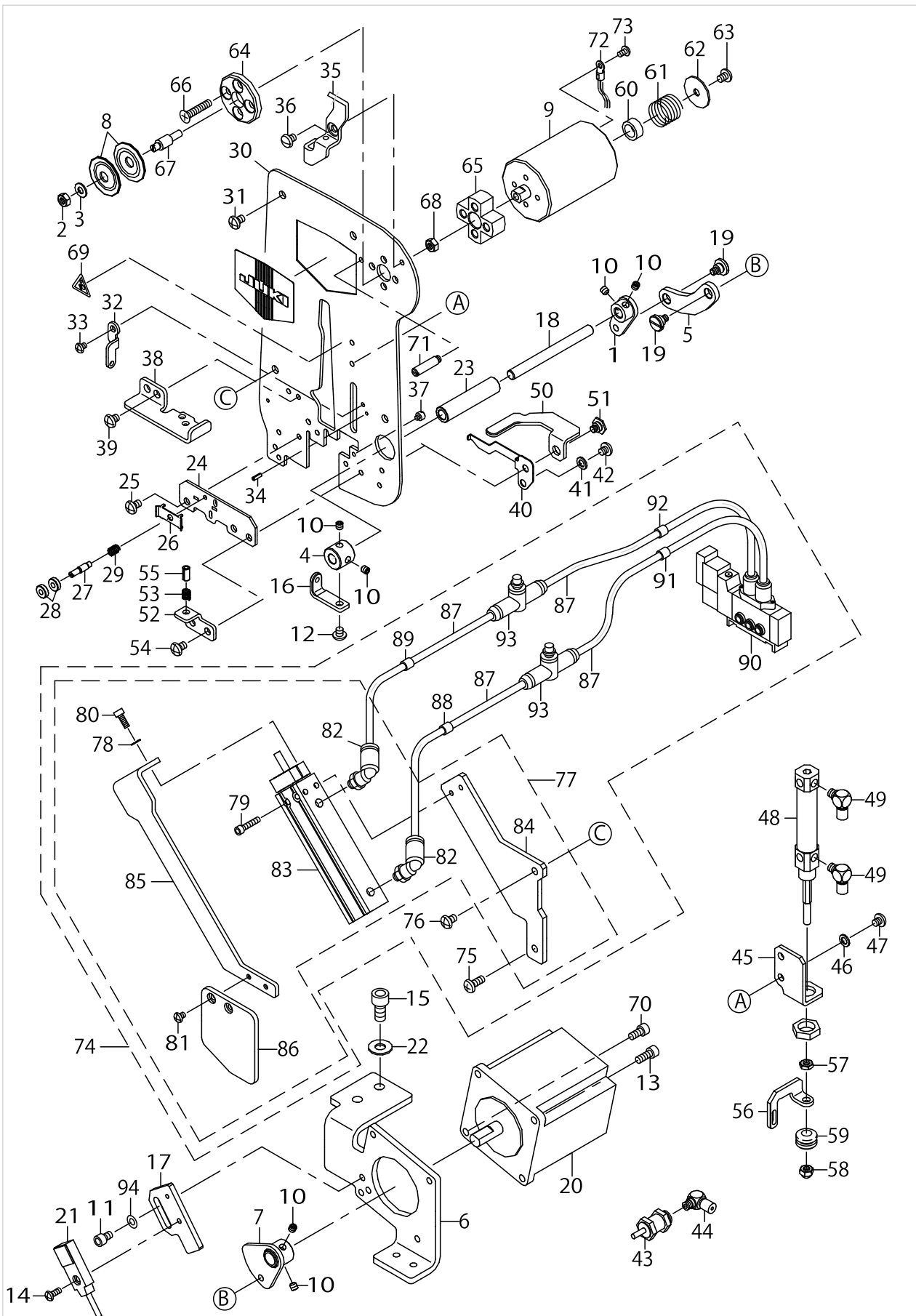
THREAD HOOK & THREAD TENSION COMPONENTS



THREAD HOOK & THREAD TENSION COMPONENTS

No.	Supply Code	Parts No.	Replacement	Parts name	Remarks	Choice	Step	Level	Cons	Qty	Rep. QTY
47		SM4040555SP		SCREW						2	
48		PA1002011A0		AIR CYLINDER						1	
49		PJ046052503		HOSE ELBOW						2	
50		40020702		NIPPER						1	
51		SD0600226TP		SHOULDER SCREW						1	
52		40020703		NIPPER_SPRING_BASE						1	
53		40020693		NIPPER_SPRING						1	
54		SM4040655SP		SCREW M4 L=6						2	
55		PS0400082KP		SPRING PIN						1	
56		40020705		THREAD_GUIDE_HEAD						1	
57		NM6040003SC		NUT M4						1	
58		NM7040032SC		HEXAGONAL CAP NUT TYPE 3 M4						1	
59		GSK01008000		RUBBER BUSHING						1	
60		40020699		COLLAR						1	
61		40009375		SPRING						1	
62		WP0451016SP		WASHER 4.5X20X1						1	
63		SM4040555SP		SCREW						1	
64		40020706		VCM_BASE_A						1	
65		40020707		VCM_SPACER						1	
66		SM1042001UZ		SCREW						4	
67		40020708		VCM_STUD						1	
68		NM6040001SD		NUT M4						1	
69		CM300200001		ATTENTION SEAL						1	
70		SM6040802TP		SCREW M4X0.7 L=8						1	
71		40020709		THREAD_GUIDE_A						1	
72		40022474		THERMISTOR ASSY						1	
73		SM4030501UZ		SCREW						1	
74		40024087		MOVING SAFETY PLATE OPTION						1	
75		SM4041055SP		SCREW				*		1	
76		SM4040655SP		SCREW M4 L=6				*		1	
77		40021021		ASSY MOVING SAFETY PLATE				*		1	
78		WP0320500SC		WASHER M3				*		2	
79		SM6031402TP		SCREW				*		2	
80		SM6030802TP		SCREW M3X0.5 L=8				*		2	
81		SM4030455SN		SCREW				*		2	
82		PJ304040504		ELBOW UNION				*		2	
83		PA1005002A0		AIR CYLINDER				*		1	
84		40021023		SAFETY PLATE BASE A				*		1	
85		40021022		SAFETY PLATE HOLDER				*		1	
86		13301700		PROTECTION SHIELD				*		1	
87		BT0400251EB		URETHANE HOSE BLACK				*		2	
88		18037903		WIRE MARK (33)				*		4	
89		18038109		WIRE MARK (32)				*		4	
90		PV150209000		5 PORT SOLENOID VALVE				*		1	
91		18038901		WIRE MARK (40)				*		4	
92		18039008		WIRE MARK (41)				*		4	

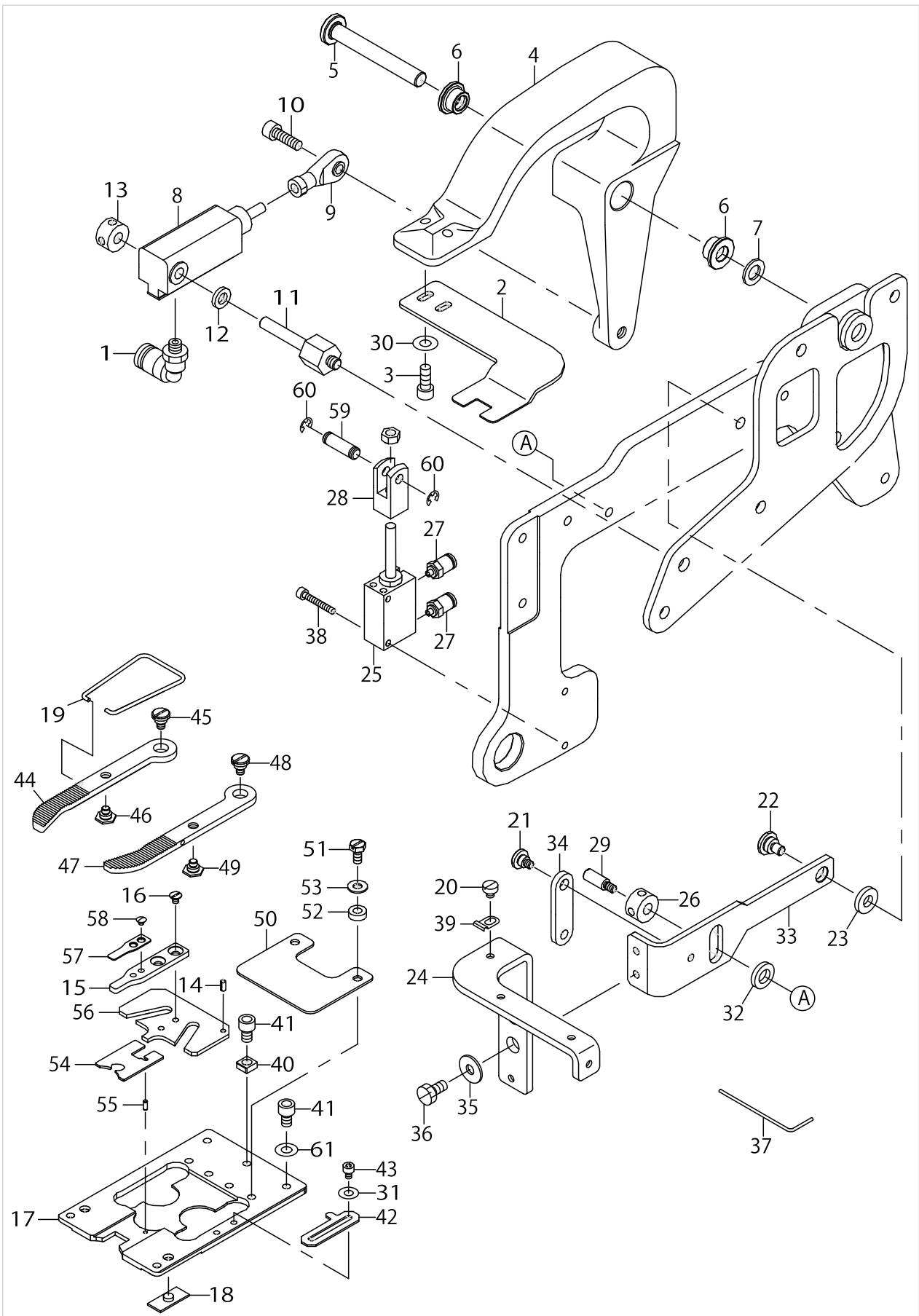
THREAD HOOK & THREAD TENSION COMPONENTS



THREAD HOOK & THREAD TENSION COMPONENTS

No.	Supply Code	Parts No.	Replacement	Parts name	Remarks	Choice	Step	Level	Cons	Qty	Rep. QTY
93		PC012406000		SPEED CONTROLLER				*		2	
94		WP0450846SP		WASHER						2	

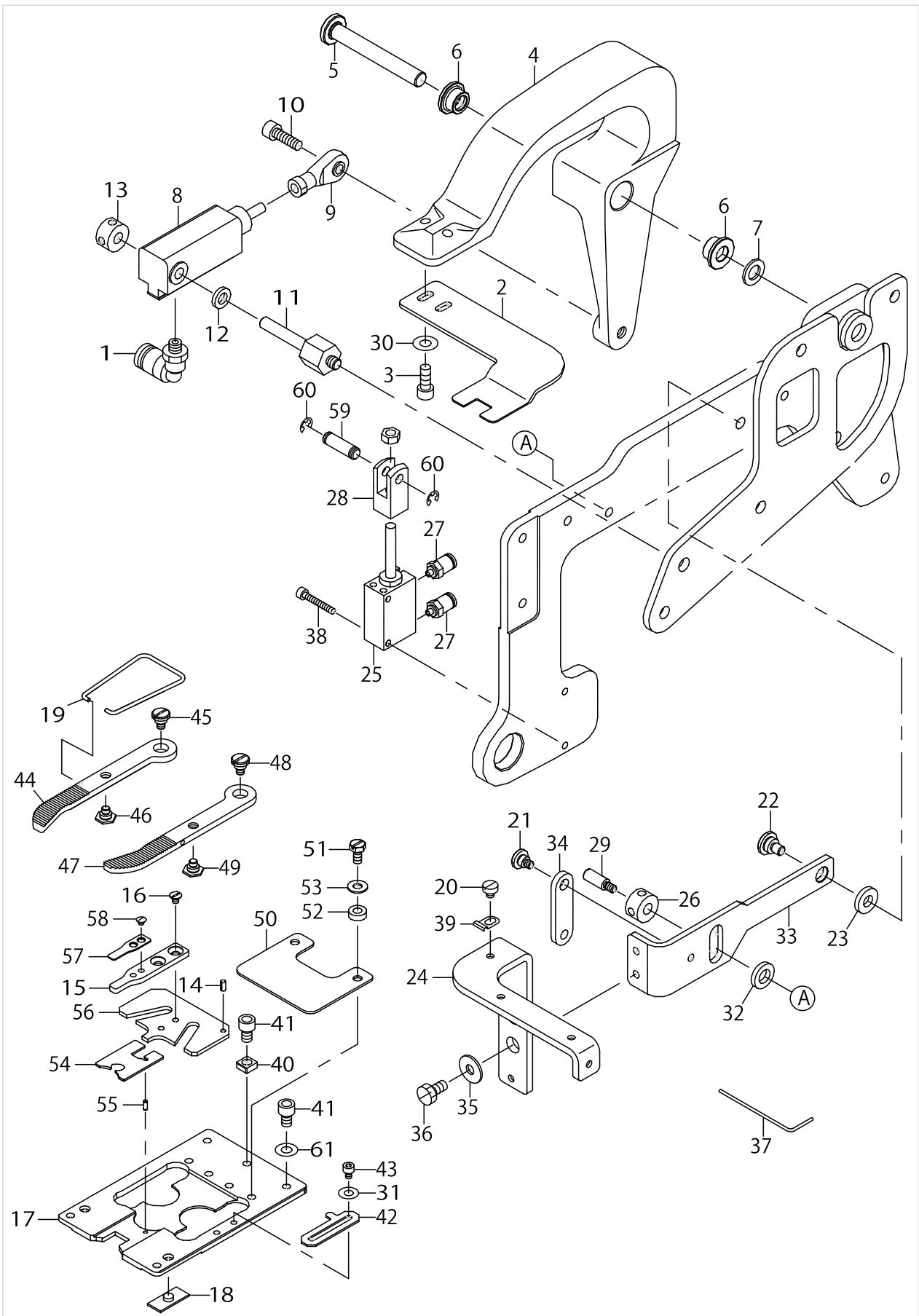
COUNTER BUTTON CLAMP & CLOTH PRESSER COMPONENTS



COUNTER BUTTON CLAMP & CLOTH PRESSER COMPONENTS

No.	Supply Code	Parts No.	Replacement	Parts name	Remarks	Choice	Step	Level	Cons	Qty	Rep. QTY
1		PJ304040504		ELBOW UNION						2	
2		40020829		CLAMP						1	
3		SM6041012TP		SCREW M4X0.7 L=10						2	
4		40020828		CLAMP_BASE						1	
5		40020831		PIN						1	
6		40020785		SIDE_PLATE_METAL						2	
7		B1906581000		THRUST WASHER						1	
8		PA1602006B0		AIR CYLINDER						1	
9		B1632180000		FEED ADJUSTING JOINT						1	
10		SM6051602TP		SCREW M5X0.8 L=16						1	
11		40020830		CYLINDER_SHAFT						1	
12		WP0612066SP		WASHER 6.1X11X2						1	
13		G6014880000		LINK THRUST HOLDER						1	
14		PS0250052KP		SPRING PIN						1	
15		40020823		STAY_BUTTON_SLIDE_B						1	
16		SM1030400SP		SCREW M3 L=4						2	
17		40020808		FEED_PLATE						1	
18		14506109		FEED PLATE GUIDE						2	
19		B2561372000		BUTTON CLAMP SPRING						1	
20		SM6030350SD		SCREW M3 L=2.9						5	
21		SD0600326TP		SHOULDER SCREW D6 H3.2						1	
22		SD0800329TP		SHOULDER SCREW						1	
23		B144418000B		WASHER						1	
24		40020846		CLAMP_PLATE						1	
25		PA1002010A0		AIR CYLINDER						1	
26		G6014880000		LINK THRUST HOLDER						1	
27		PJ210304010		HALF UNION						2	
28		PX500020000		KNUCKLE JOINT						1	
29		40020844		PIN						1	
30		WP0450801SD		WASHER 4.5X10X0.8						2	
31		WP0370316SD		WASHER 3.7X8X0.3						2	
32		WP0612066SP		WASHER 6.1X11X2						1	
33		40020843		PRESSER_LEVER						1	
34		40020842		PRESSER_LINK						1	
35		WP0431005SP		PLAIN WASHER 4.3X12X1						2	
36		SM9040800SP		SCREW						2	
37		40020847		PIPE						1	
38		SM6032002TP		SCREW M3X0.5 L=20						2	
39		40020848		PIPE_CLAMP						5	
40		B3035280000		SAFETY PLATE SLIDE BLOCK						1	
41		SM6040602TN		BOLT						3	
42		40020811		STOPPER						1	
43		SM6030402TP		SCREW M3X0.5 L=4						2	
44		40020834		STAY_BUTTON_CLAMP_LH						1	
45		SD0600286TP		SHOULDER SCREW						1	
46		SD0600226TP		SHOULDER SCREW						1	

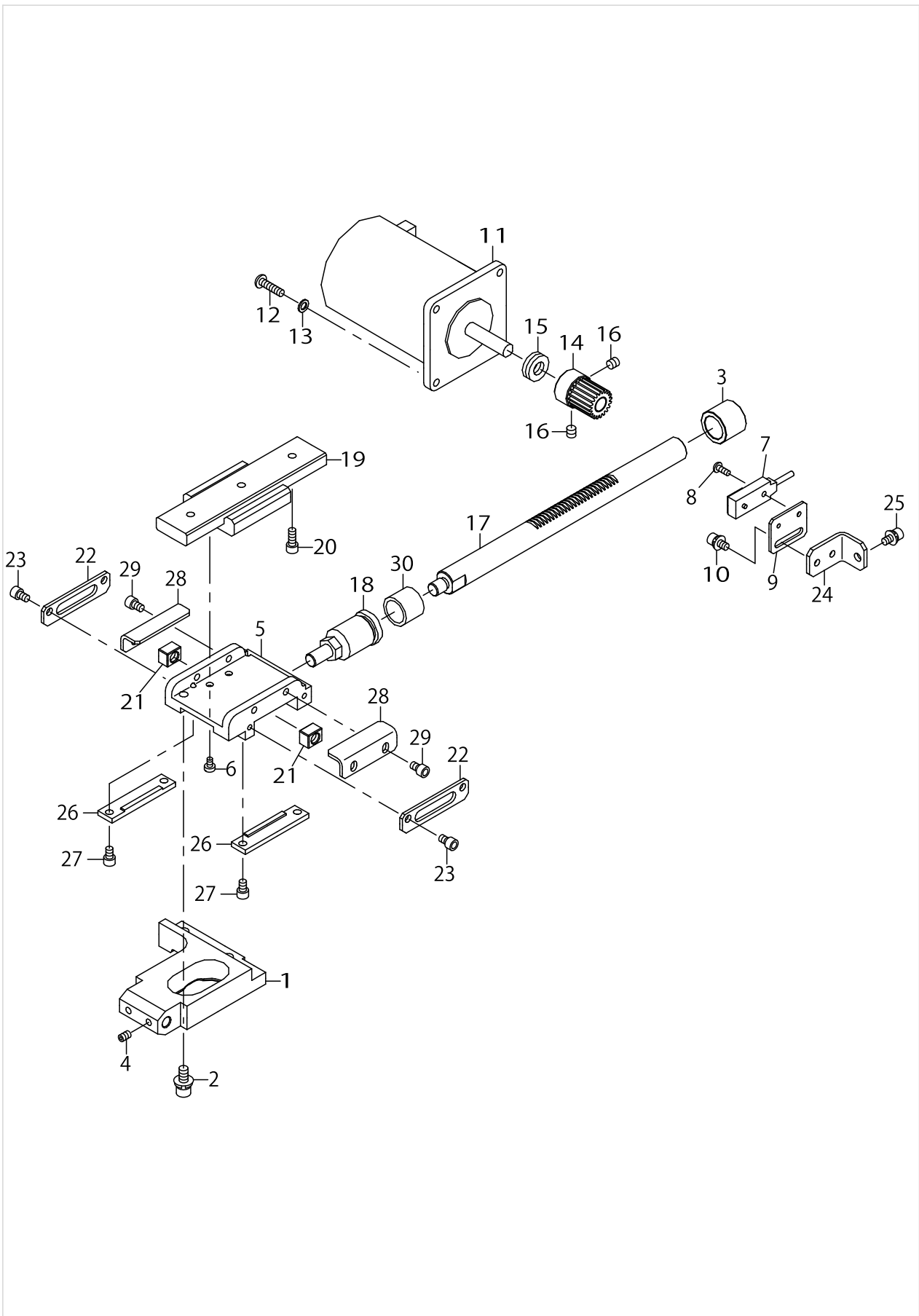
COUNTER BUTTON CLAMP & CLOTH PRESSER COMPONENTS



COUNTER BUTTON CLAMP & CLOTH PRESSER COMPONENTS

No.	Supply Code	Parts No.	Replacement	Parts name	Remarks	Choice	Step	Level	Cons	Qty	Rep. QTY
47		40020835		STAY_BUTTON_CLAMP_RH						1	
48		SD0600286TP		SHOULDER SCREW						1	
49		SD0600226TP		SHOULDER SCREW						1	
50		40020810		FEED_PLATE_SHORT						1	
51		SM9040800SP		SCREW						2	
52		B1513210000		CLOTH PRESSER M- AGNET SPACER						2	
53		WP0450826SC		WASHER 4.5X10X0.8						2	
54		40020814		COUNTER_BUTTON_PLATE_A						1	
55		PH0200054C0		PARALLEL PIN						1	
56		40020812		COUNTER_BUTTON_SLIDE_A						1	
57		40020826		STAY_BUTTON_SPRING_B						1	
58		SS2060210SP		SCREW 3/32-56 L=2.3						2	
59		MAT80114T00		PLUNGER PIN						1	
60		RE0300000KP		E-RING						2	
61		WP0430801SC		WASHER 4.3X9X0.8						2	

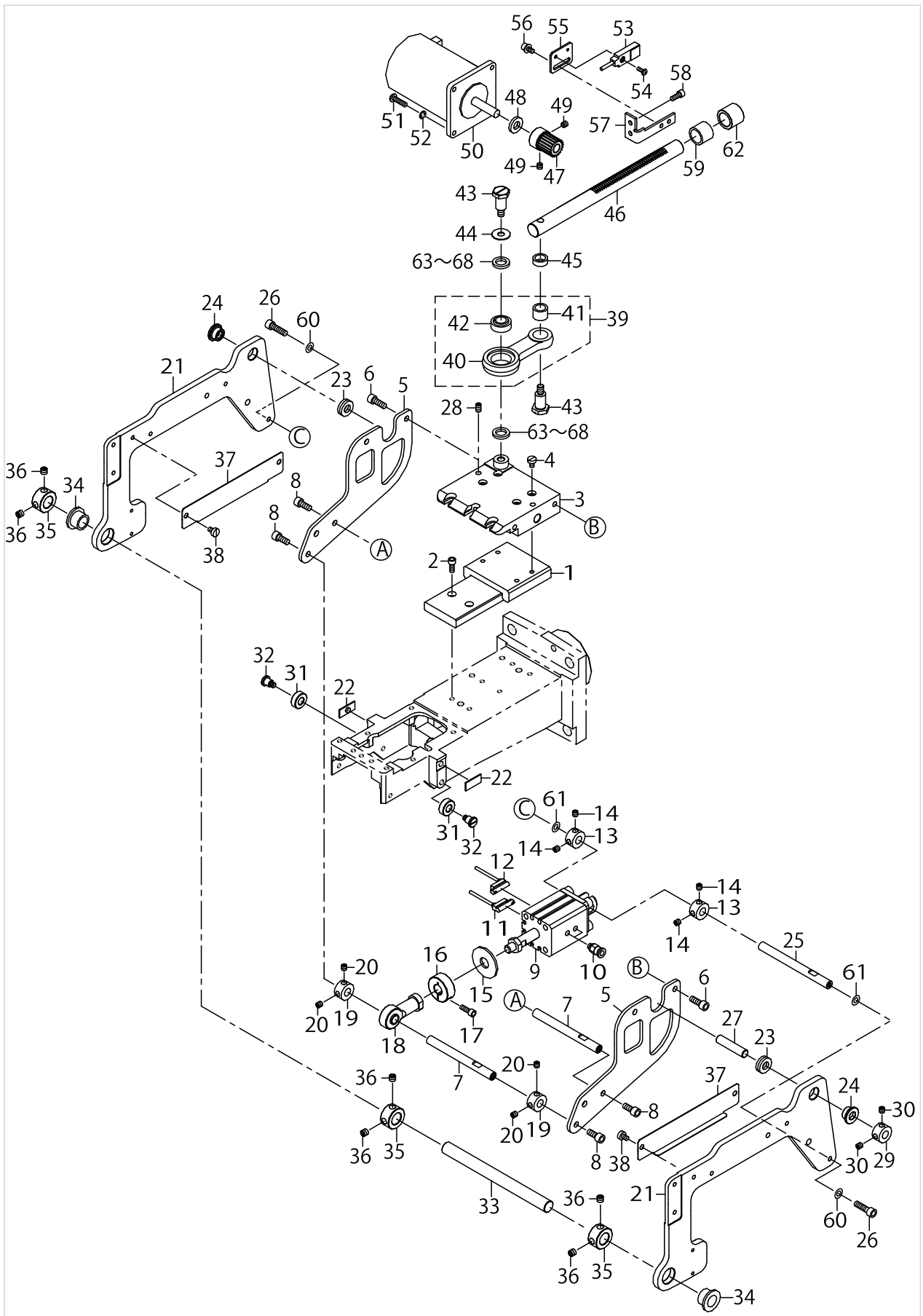
UPPER FEED COMPONENTS



UPPER FEED COMPONENTS

No.	Supply Code	Parts No.	Replacement	Parts name	Remarks	Choice	Step	Level	Cons	Qty	Rep. QTY
1		40001985		Y_FEED_ARM						1	
2		SL6051292TN		BOLT						2	
3		40020794		METAL						1	
4		SM8040412TP		SET SCREW M4 L=4						2	
5		40001992		Y_FEED_UPPER_BASE						1	
6		SM6030500SN		SCREW M3 L=5						4	
7		40019190		UPPER FEED SENSOR ASSY						1	
8		SM4030855SN		SCREW M3 L=8.0						1	
9		40020783		Y_UNDER_SENSOR_STAY						1	
10		SL6040892TN		BOLT						2	
11		40019204		UPPER FEED MOTOR ASSY						1	
12		SM4041655SP		SCREW M4 L=16						4	
13		WP0450846SP		WASHER						4	
14		40020780		UPPER_Y_GEAR						1	
15		SB408000100		BEARING						1	
16		SM8050512TP		SCREW						2	
17		40020865		Y_UPPER_FEED_SHAFT						1	
18		PA900070000		CYLINDER JOINT						1	
19		40020866		LM_GUIDE						1	
20		SM6041002TP		SCREW M4 L=10						3	
21		40020868		SLIDE_BLOCK						2	
22		40020869		SLIDE_BLOCK_COVER						2	
23	R	SM6040602SP	SM6040602TP	SCREW M4X0.7 L=6						4	1.00
24		40020872		Y_FEED_SENSOR_STAY_BASE						1	
25		SL6040892TN		BOLT						1	
26		40020875		Y_FEED_UPPER_BASE_COVER						2	
27	R	SM6040602SP	SM6040602TP	SCREW M4X0.7 L=6						4	1.00
28		40020876		Y_FEED_UPPER_BASE_HOLDER						2	
29	R	SM6040602SP	SM6040602TP	SCREW M4X0.7 L=6						4	1.00
30		32007205		VERTICAL FEED SHAFT METAL						1	

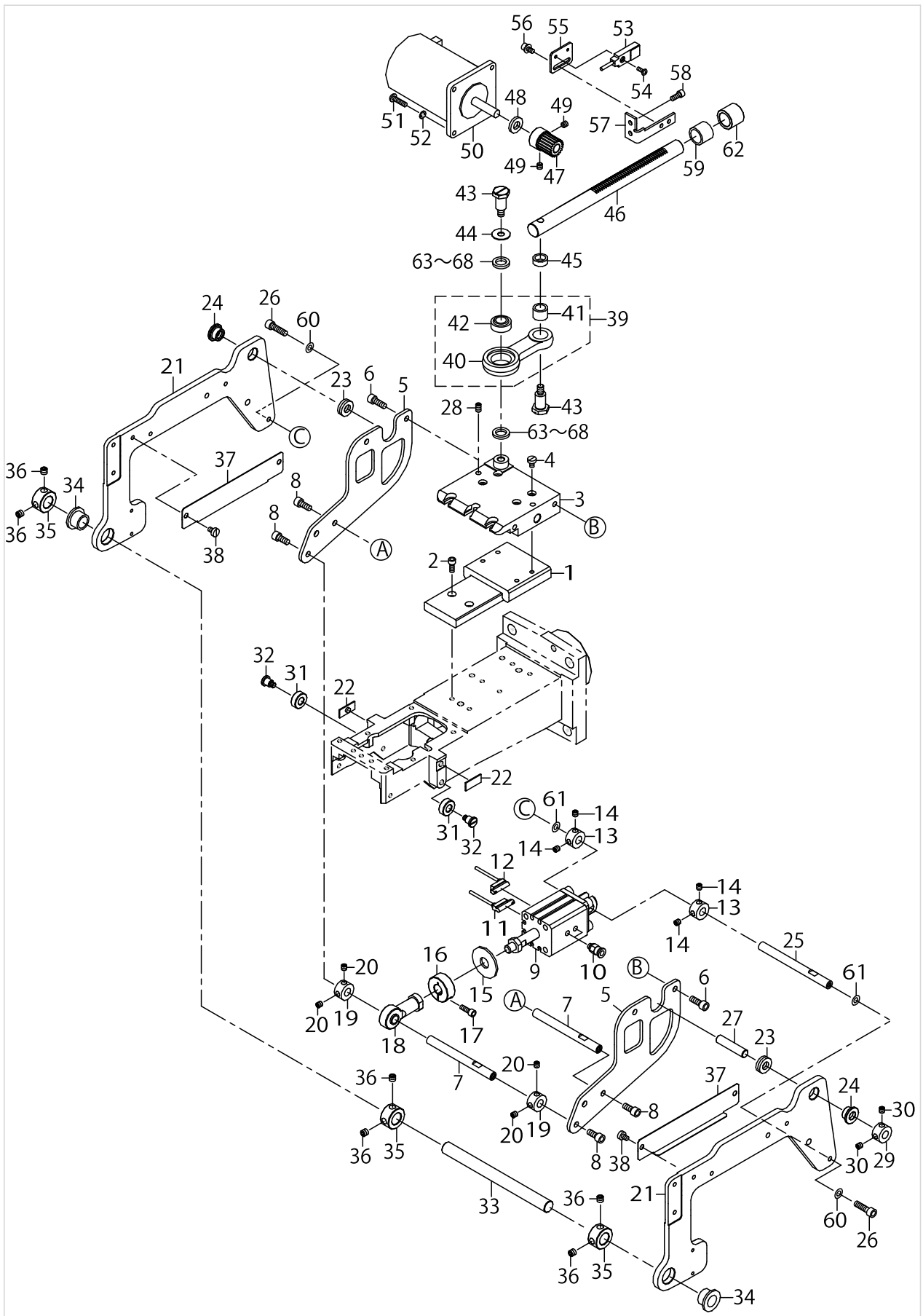
UNDER FEED COMPONENTS



UNDER FEED COMPONENTS

No.	Supply Code	Parts No.	Replacement	Parts name	Remarks	Choice	Step	Level	Cons	Qty	Rep. QTY
1		40020795		LM_GUIDE						1	
2		SM6041002TP		SCREW M4 L=10						6	
3		40002010		Y_UNDER_BASE						1	
4		SM6040600SP		SCREW M4 L=6						4	
5		40020792		UNDER_BASE_CYLINDER_STAY						2	
6		SM6051402TP		SCREW M5X0.8 L=14						4	
7		40020786		UNDER_FEED_UP_DOWN_SHAFT_A						2	
8		SM6051202TP		SCREW M5X0.8 L=12						4	
9		PA2001506A0		AIR CYLINDER						1	
10		PJ301040502		HALF UNION 4XM5						2	
11		40019197		FEED UP SWITCH ASSY						1	
12		40019198		FEED DOWN SWITCH ASSY						1	
13		CS0800971TP		THRUST COLLAR D=8 W=9						2	
14		SM8050512TP		SCREW						4	
15		GAK33032000		SOLENOID RUBBER B						1	
16		40020793		SET_COLLAR						1	
17		SM6041202TP		SCREW M4X0.7 L=12						1	
18		16138109		ROD						1	
19		CS0800971TP		THRUST COLLAR D=8 W=9						2	
20		SM8050512TP		SCREW						4	
21		40020791		SIDE_PLATE						2	
22		14506109		FEED PLATE GUIDE						2	
23		SB408000100		BEARING						2	
24		40020785		SIDE_PLATE_METAL						2	
25		40020787		UNDER_FEED_UP_DOWN_SHAFT_B						1	
26		SM6051802TP		SCREW M5 L=18						2	
27		40020789		SIDE_PLATE_SHAFT						1	
28		SM8050812TP		SCREW M5X8						2	
29		CS0800971TP		THRUST COLLAR D=8 W=9						1	
30		SM8050512TP		SCREW						2	
31		40020782		ROLLER						2	
32		SD0700586TP		SHOULDER SCREW						2	
33		13110606		NEEDLE DRIVING SHAFT						1	
34		32046708		VERTICAL ARM METAL						2	
35		CS1201171TP		THRUST COLLAR D=12 W=11						3	
36		SM8060552TP		SCREW M6 L=5						6	
37		40020796		SIDE_FEED_GUARD						2	
38		SM6040600SP		SCREW M4 L=6						4	
39		40131925		VERTICAL FEED CO- NNECTING ARM A						1	
40		40131921		VERTICAL FEED CO- NNECTING ARM				*		1	
41		32007403		CONNECTING ARM METAL A				*		1	
42		40131924		SPHERICAL BEARING				*		1	
43		SD1001526TP		SHOULDER SCREW						2	
44		10523504		WASHER						1	
45		16573909		THRUST COLLAR						1	

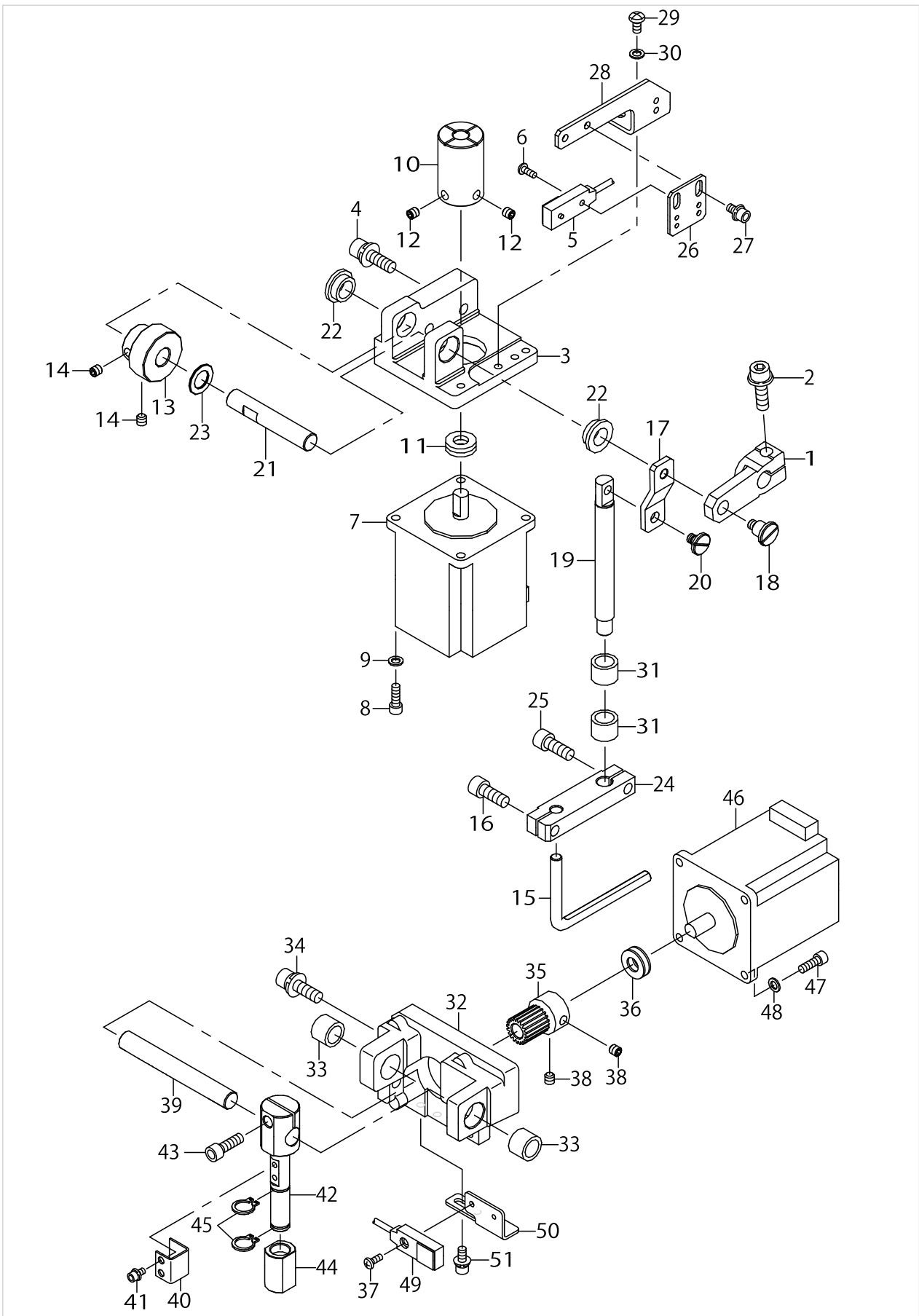
UNDER FEED COMPONENTS



UNDER FEED COMPONENTS

No.	Supply Code	Parts No.	Replacement	Parts name	Remarks	Choice	Step	Level	Cons	Qty	Rep. QTY
46		40020781		Y_UNDER_FEED_SHAFT						1	
47		40020780		UPPER_Y_GEAR						1	
48		SB408000100		BEARING						1	
49		SM8050512TP		SCREW						2	
50		40019203		LOWER FEED MOTOR ASSY						1	
51		SM4041655SP		SCREW M4 L=16						4	
52		WP0450846SP		WASHER						4	
53		40019189		LOWER FEED SENSOR ASSY						1	
54		SM4030855SN		SCREW M3 L=8.0						1	
55		40020783		Y_UNDER_SENSOR_STAY						1	
56		SL6040892TN		BOLT						2	
57		40020784		Y_UNDER_SENSOR_STAY_BASE						1	
58		SM6041002TP		SCREW M4 L=10						2	
59		32007205		VERTICAL FEED SHAFT METAL						1	
60		WP0531000SD		WASHER M5						2	
61		WP0522016SH		WASHER						2	
62		40020794		METAL						1	
63		22614002		THRUST WASHER, A	SELECTIVE PARTS					2	
64		22614101		THRUST WASHER, B	SELECTIVE PARTS					2	
65		22614200		SPACER, C	SELECTIVE PARTS					2	
66		22614309		SPACER, D	SELECTIVE PARTS					2	
67		22614408		SPACER, E	SELECTIVE PARTS					2	
68		22614507		SPACER, F	SELECTIVE PARTS					2	

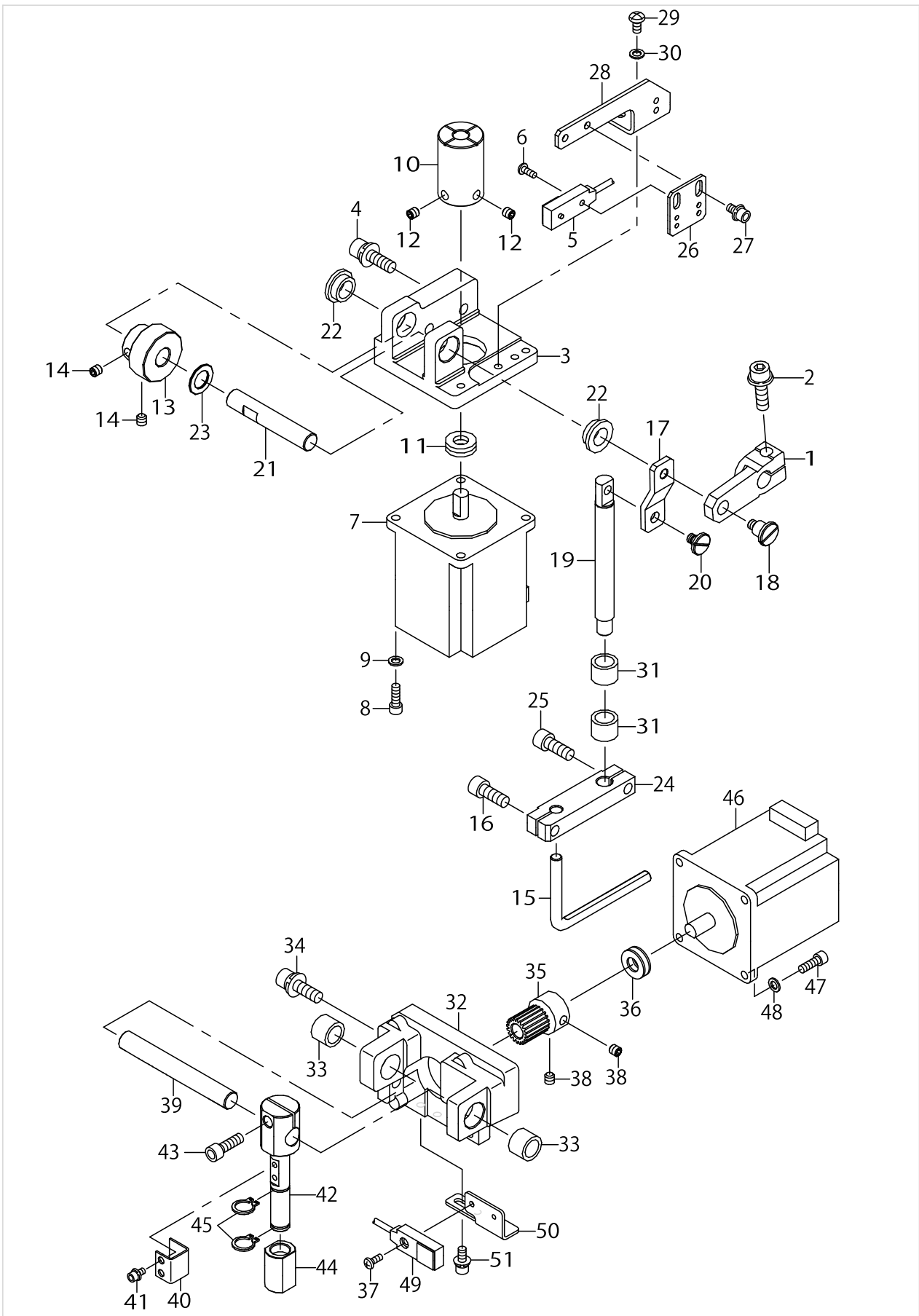
UP DOWN FEED & DIFF FEED COMPONENTS



UP DOWN FEED & DIFF FEED COMPONENTS

No.	Supply Code	Parts No.	Replacement	Parts name	Remarks	Choice	Step	Level	Cons	Qty	Rep. QTY
1		14104301		LOWERING ARM						1	
2		SL6062042TN		BOLT						1	
3		40001998		HAND_LIFTER_GEAR_BLOCK						1	
4		SL6062042TN		BOLT						2	
5		40019192		PRESSSENSORASSY						1	
6		SM4030855SN		SCREW M3 L=8.0						1	
7		40019206		PRESS MOTOR ASSY						1	
8		SM6041202TP		SCREW M4X0.7 L=12						4	
9		WP0450846SP		WASHER						4	
10		40020883		WORM						1	
11		SB408000100		BEARING						1	
12		SM8050512TP		SCREW						2	
13		40020884		WORM_WHELL						1	
14		SM8050512TP		SCREW						2	
15		40020885		HAND_LIFTER_HOOK						1	
16		SM6061602TP		SCREW M6 L=16						1	
17		40020886		HAND_LIFTER_LEVER						1	
18		SD0790706TP		SHOULDER SCREW						1	
19		40020887		HAND_LIFTER_SHAFT						1	
20		SD0600327TP		SHOULDER SCREW						1	
21		40020888		PITCH_LEVER_SHAFT						1	
22		32009805		CONNECTING PLATE METAL						2	
23		10523504		WASHER						1	
24		40020889		PULLING HOLDER						1	
25		SM6061602TP		SCREW M6 L=16						1	
26		40020890		UP_DOWN_SENSOR_PLATE						1	
27		SL6040892TN		BOLT						2	
28		40020891		UP_DOWN_SENSOR_STAY_BASE						1	
29		SM4040855SP		SCREW						2	
30		WP0450846SP		WASHER						2	
31		32007403		CONNECTING ARM METAL A						2	
32		40001997		DIFFERENTIAL_MOTOR_STAY						1	
33		32007403		CONNECTING ARM METAL A						2	
34		SL6062042TN		BOLT						2	
35		40020900		UPPER_X_GEAR						1	
36		SB408000100		BEARING						1	
37		SM4030855SN		SCREW M3 L=8.0						1	
38		SM8050512TP		SCREW						2	
39		40020901		UPPER_X_GEAR_SHAFT						1	
40		40020902		DIFFERENTIAL_SENSOR_PLATE						1	
41		SL6030692TN		BOLT						2	
42		40020903		DIFFERENTIAL_ROLLER_SHAFT						1	
43		SM6051602TP		SCREW M5X0.8 L=16						1	
44		40020904		DIFFERENTIAL_ROLLER						1	
45		RC0100001KP		SNAP RING M10						2	
46		40019205		DIF FEED MOTOR ASSY						1	

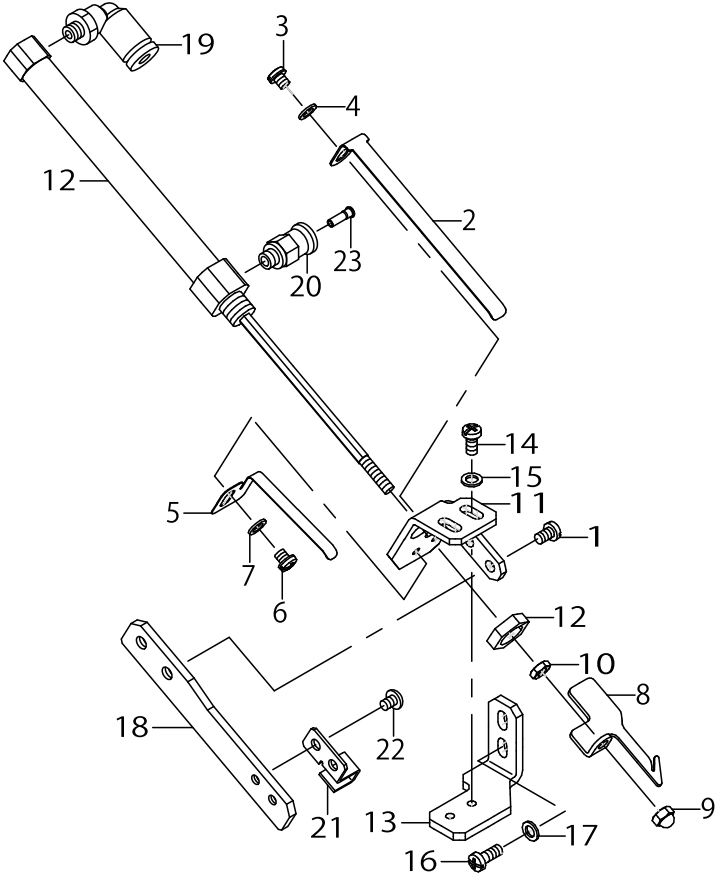
UP DOWN FEED & DIFF FEED COMPONENTS



UP DOWN FEED & DIFF FEED COMPONENTS

No.	Supply Code	Parts No.	Replacement	Parts name	Remarks	Choice	Step	Level	Cons	Qty	Rep. QTY
47		SM6041202TP		SCREW M4X0.7 L=12						4	
48		WP0450846SP		WASHER						4	
49		40019191		DIF FEED SENSOR ASSY						1	
50		40020905		DIFFRENTIAL_SENSOR_STAY						1	
51		SL6041092TN		SCREW						2	

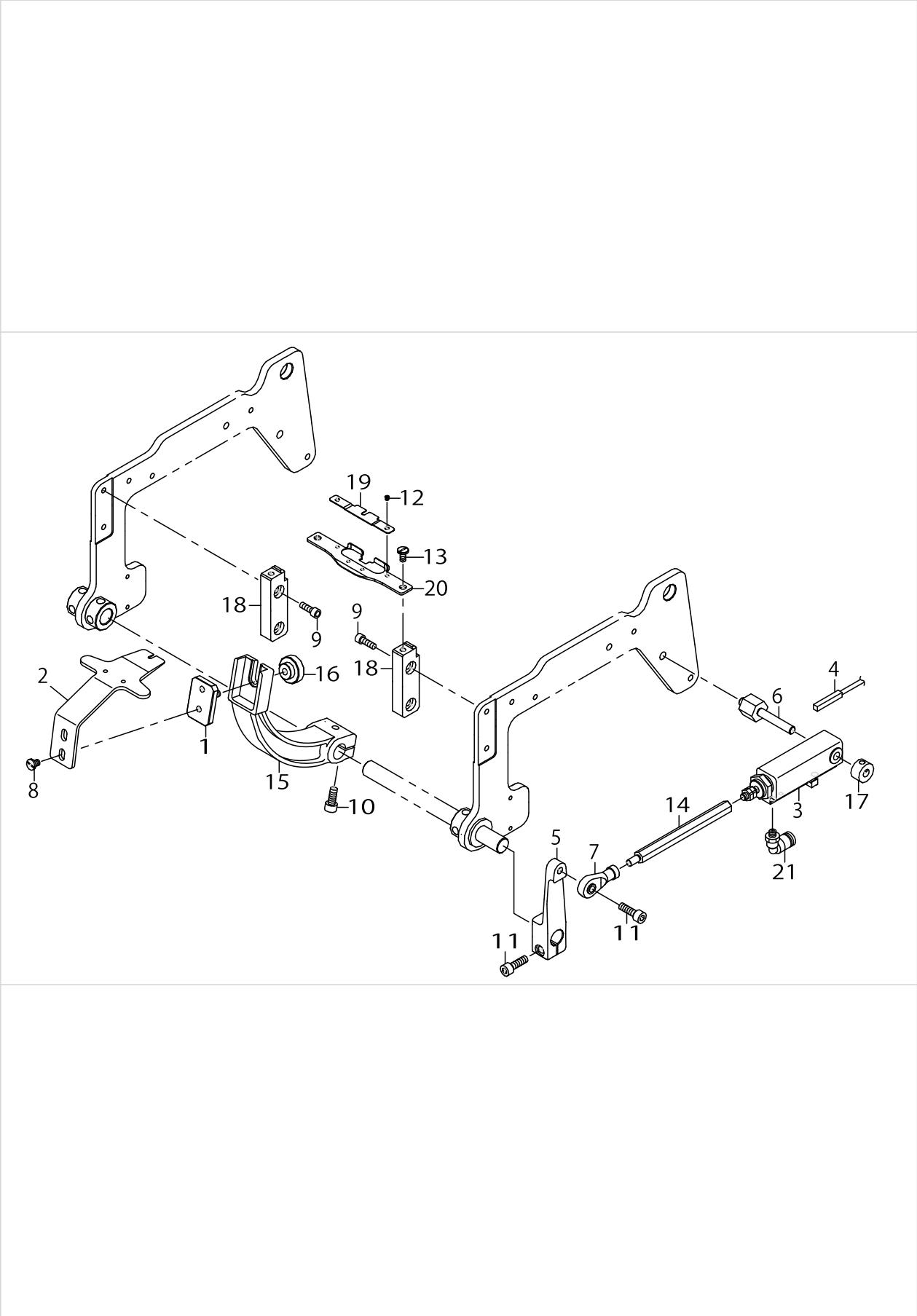
WIPER COMPONENTS



WIPER COMPONENTS

No.	Supply Code	Parts No.	Replacement	Parts name	Remarks	Choice	Step	Level	Cons	Qty	Rep. QTY
1		SM4040655SP		SCREW M4 L=6						2	
2		40020749		SPRING A						1	
3		SM4040455SP		SCREW						1	
4		WP0450846SP		WASHER						1	
5		40020750		SPRING B						1	
6		SM4040455SP		SCREW						1	
7		WP0450846SP		WASHER						1	
8		40020746		WIPER						1	
9		NM7040032SC		HEXAGONAL CAP NUT TYPE 3 M4						1	
10		NM6040003SC		NUT M4						1	
11		40020747		WIPER_CYLINDER_BASE_A						1	
12		PA1007502A0		AIR CYLINDER						1	
13		40020748		WIPER_CYLINDER_BASE_B						1	
14		SM4040855SP		SCREW						2	
15		WP0450846SP		WASHER						2	
16		SM4041055SP		SCREW						2	
17		WP0450846SP		WASHER						2	
18		40020751		WIPER_GUIDE						1	
19		PJ304040504		ELBOW UNION						1	
20		PJ301040502		HALF UNION 4XM5						1	
21		40021830		WIPER_GUIDE_B						1	
22		SM4030455SN		SCREW						2	
23		PC022403E00		INSERT RING						1	

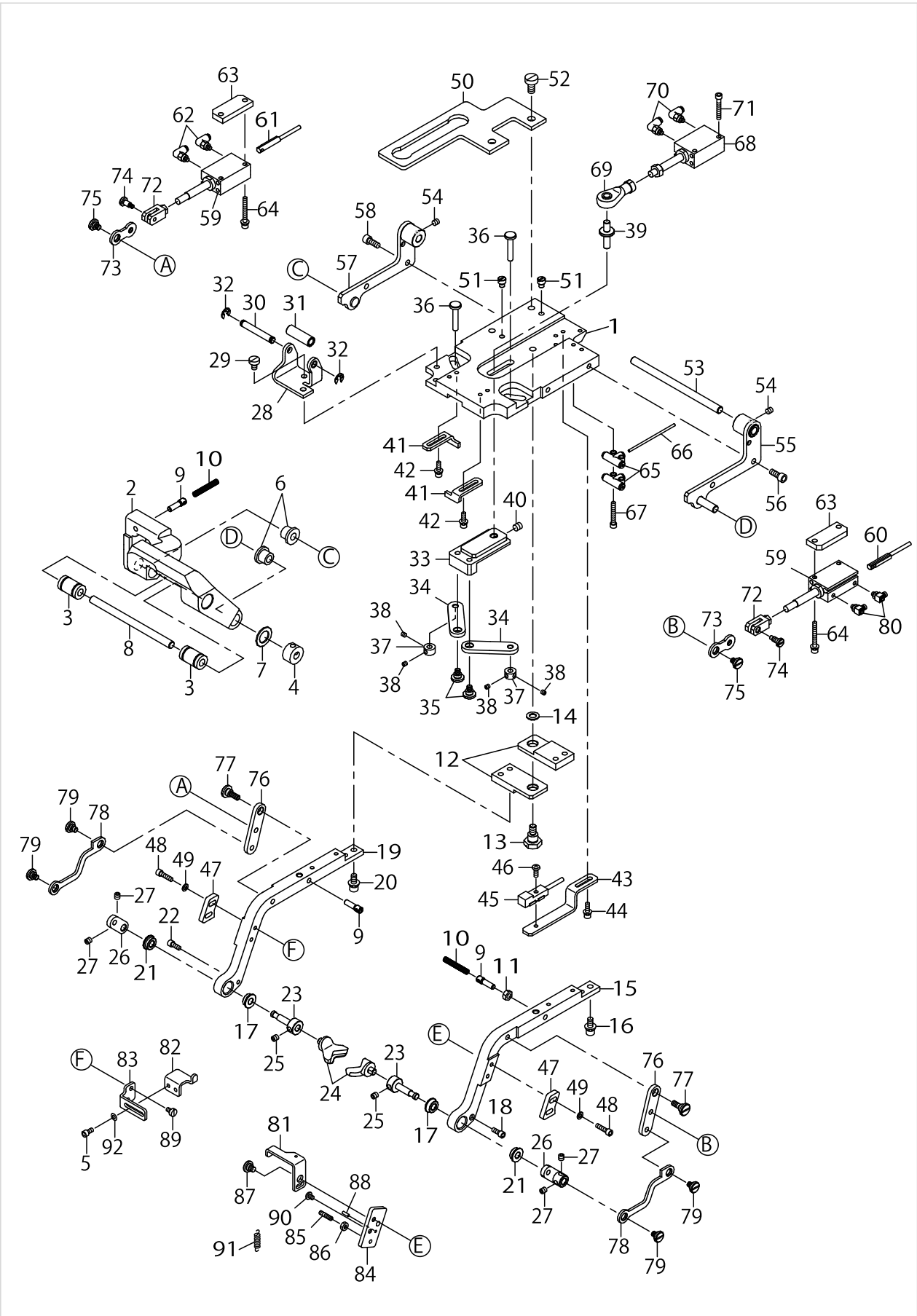
TANG COMPONENTS



TANG COMPONENTS

No.	Supply Code	Parts No.	Replacement	Parts name	Remarks	Choice	Step	Level	Cons	Qty	Rep. QTY
1		17823550		TANG INSTALLING PLATE ASM.						1	
2		40020761		TANG						1	
3		PA1603014A0		AIR CYLINDER						1	
4		40019199		TONGUE OPEN SWITCH ASSY						1	
5		40001994		CLAMP_LINK_B						1	
6		40020830		CYLINDER_SHAFT						1	
7		B1632180000		FEED ADJUSTING JOINT						1	
8		SS6110610TP		SCREW 11/64-40 L=6						2	
9		SM6041202TP		SCREW M4X0.7 L=12						4	
10		SM6051802TP		SCREW M5 L=18						1	
11		SM6051602TP		SCREW M5X0.8 L=16						2	
12		SS2060210SP		SCREW 3/32-56 L=2.3						2	
13		SM6040860TP		SCREW M4 L=8						2	
14		40020768		STUD						1	
15		40001986		TANG_ARM						1	
16		17823709		TANG KNOB						1	
17		G6014880000		LINK THRUST HOLDER						1	
18		40020765		UNDER_PLATE_BASE						2	
19		40020762		UNDER_PLATE_GUIDE_A						1	
20		40020767		UNDER_PLATE_S						1	
21		PJ304040504		ELBOW UNION						2	

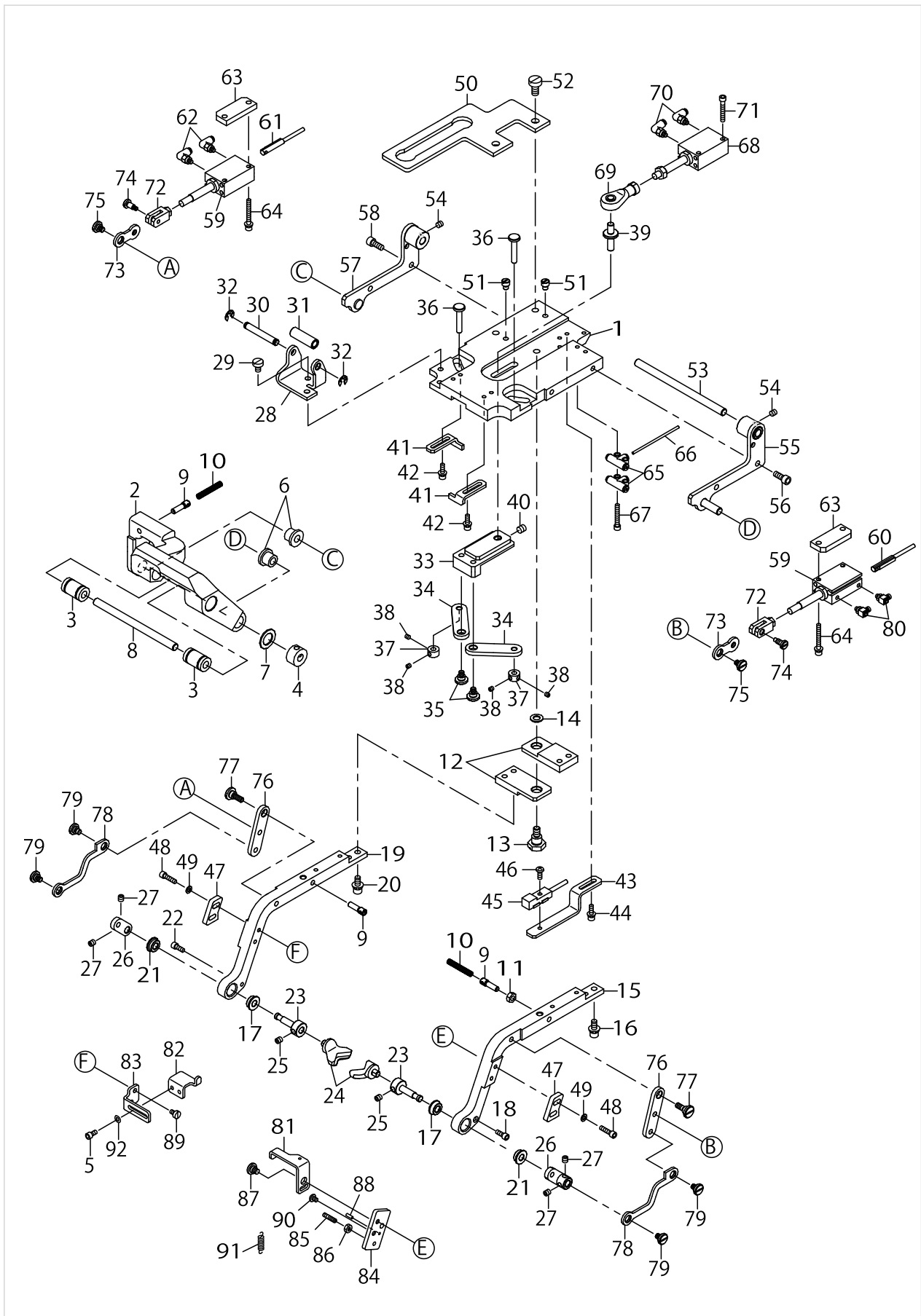
CHUCK COMPONENTS



CHUCK COMPONENTS

No.	Supply Code	Parts No.	Replacement	Parts name	Remarks	Choice	Step	Level	Cons	Qty	Rep. QTY
1		40020927		DIFFERENTIAL_MB						1	
2		40020929		FULCRUM_ARM						1	
3		SB706000600		BEARING						2	
4		G6014880000		LINK THRUST HOLDER						1	
5		SM6030602TP		SCREW M3X0.5 L=6						2	
6	D	GBR01521000		BUSHING						2	
7		10523504		WASHER						1	
8		40020938		X_FEED_SHAFT_B						1	
9		40020945		SPRING_HOOK						3	
10		B2052781000		THREAD TRIMMER SPRING A						2	
11		NM6040001SD		NUT M4						1	
12		40020911		CHUCK_ARM_BASE						2	
13		SD0800606TP		SHOULDER SCREW						1	
14		40021445		MOVING KNIFE WASHER						1	
15		40020913		CHUCK_ARM_R						1	
16		SL6041092TN		SCREW						2	
17		GEB03626000		DRIVE GEAR SHAFT METAL						2	
18		SM6030802TP		SCREW M3X0.5 L=8						1	
19		40020912		CHUCK_ARM_L						1	
20		SL6041092TN		SCREW						2	
21		GEB03626000		DRIVE GEAR SHAFT METAL						2	
22		SM6030802TP		SCREW M3X0.5 L=8						1	
23		40020914		CHUCK_BASE						2	
24		40020931		NAIL_CRAMP_MEDIUM						2	
25		SM8040412TP		SET SCREW M4 L=4						2	
26		40020916		CHUCK_LINK						2	
27		SM8040412TP		SET SCREW M4 L=4						4	
28		40020915		CHUCK_LIFTER_BKT						1	
29		SM6040600SP		SCREW M4 L=6						2	
30		40020933		CHUCK_LIFTER_SHAFT						1	
31		40020921		COLLAR						1	
32		RE0400000KP		E-RING 4						2	
33		40020917		CHUCK_OPEN_KNUCKLE						1	
34		40020918		CHUCK_OPEN_LEVER						2	
35		SD0600326TP		SHOULDER SCREW D6 H3.2						2	
36		40020924		CYLINDER_OPEN_PIN						2	
37		CS0400671TP		THRUST COLLAR D=4 W=5.5						2	
38		SM8030312TP		SCREW M3 L=3						4	
39		40020919		CHUCK_OPEN_LEVER_PIN						1	
40		SM8050512TP		SCREW						1	
41		40020920		CHUCK_OPEN_STOPPER						2	
42		SL6031092TN		SCREW						4	
43		40020925		CYLINDER_OPEN_SENSOR_STAY						1	
44		SL6031092TN		SCREW						2	
45		40019200		CHUCK OPEN SENSOR ASSY						1	
46		SM4030855SN		SCREW M3 L=8.0						1	

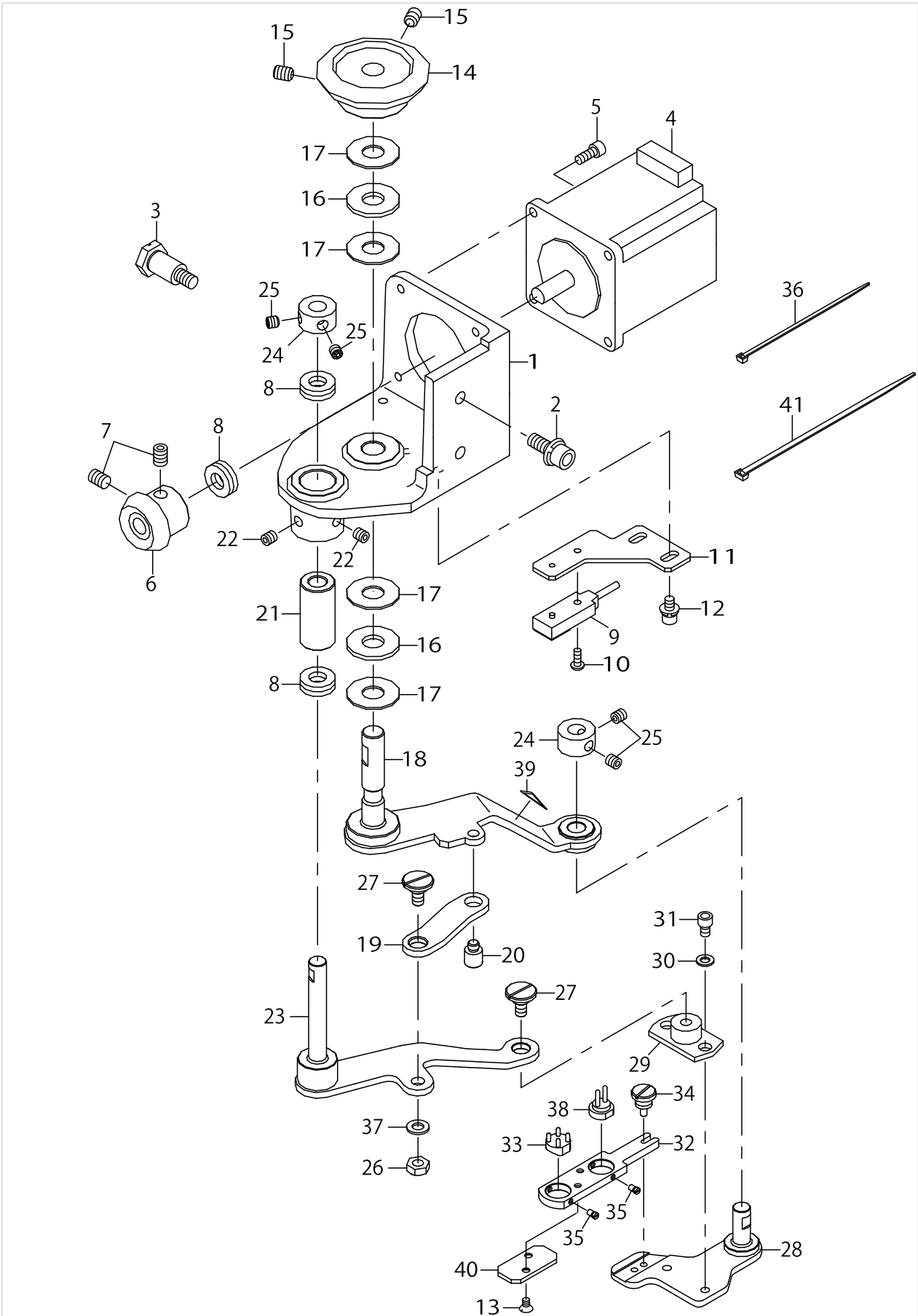
CHUCK COMPONENTS



CHUCK COMPONENTS

No.	Supply Code	Parts No.	Replacement	Parts name	Remarks	Choice	Step	Level	Cons	Qty	Rep. QTY
47		40020926		CYLINDER_STOPPER						2	
48		SM6031202TP		SCREW M3X0.5 L=12						4	
49		WP0320500SD		M3 WASHER						4	
50		40020928		DIFFERENTIAL_M_B_GUIDE						1	
51		40004299		STOPPER_PIN						2	
52		SM6051000SP		SCREW						2	
53		40020937		X_FEED_SHAFT						1	
54		SM8040412TP		SET SCREW M4 L=4						2	
55		40020939		ASSY_DIFFERENTIAL_MB_ARM_R						1	
56		SM6041002TP		SCREW M4 L=10						2	
57		40020943		ASSY_DIFFERENTIAL_M_B_ARM_L						1	
58		SM6041002TP		SCREW M4 L=10						2	
59		PA0801501A0		AIR CYLINDER						2	
60		40019195		CHUCK HOR SWITCH ASSY						1	
61		40019196		CHUCK VER SWITCH ASSY						1	
62		PJ304020301		ELBOW						2	
63		40020934		TURN_CYLINDER_SPACER						2	
64		SL6032542TN		SCREW						4	
65		PJ305020001		T-JOINT						2	
66		BT0180101EB		TUBE HOSE						1	
67		SM6032002TP		SCREW M3X0.5 L=20						2	
68		PA1002010A0		AIR CYLINDER						1	
69		B1632180000		FEED ADJUSTING JOINT						1	
70		PJ304020301		ELBOW						2	
71		SM6032002TP		SCREW M3X0.5 L=20						2	
72		40020922		CYLINDER_KNUCKLE						2	
73		40020923		CYLINDER_LINK						2	
74		SD0400606TP		SHOULDER SCREW						2	
75		SD0600208TP		SHOULDER SCREW						2	
76		40020936		TURN_OVER_LINK_UPPER						2	
77		SD0600328TP		SHOULDER SCREW						2	
78		40020935		TURN_OVER_LINK_LOWER						2	
79		SD0600208TP		SHOULDER SCREW						4	
80		PJ046039003		ELBOW						2	
81		40020946		STOPPER_HOOK_A						1	
82		40020947		STOPPER_HOOK_B						1	
83		40020948		HOOK_ADJUST						1	
84		40020949		STOPPER_BASE						1	
85		E3018721000		SPRING STUD A						1	
86		NM6030001SC		NUT M3						1	
87		SD0600208TP		SHOULDER SCREW						1	
88		PS0200062KH		SPRING PIN 2X6						1	
89		SM6030500SN		SCREW M3 L=5						2	
90		SM4030455SN		SCREW						2	
91		D3067180S00		SPRING						1	
92		WP0320501SC		WASHER M3						2	

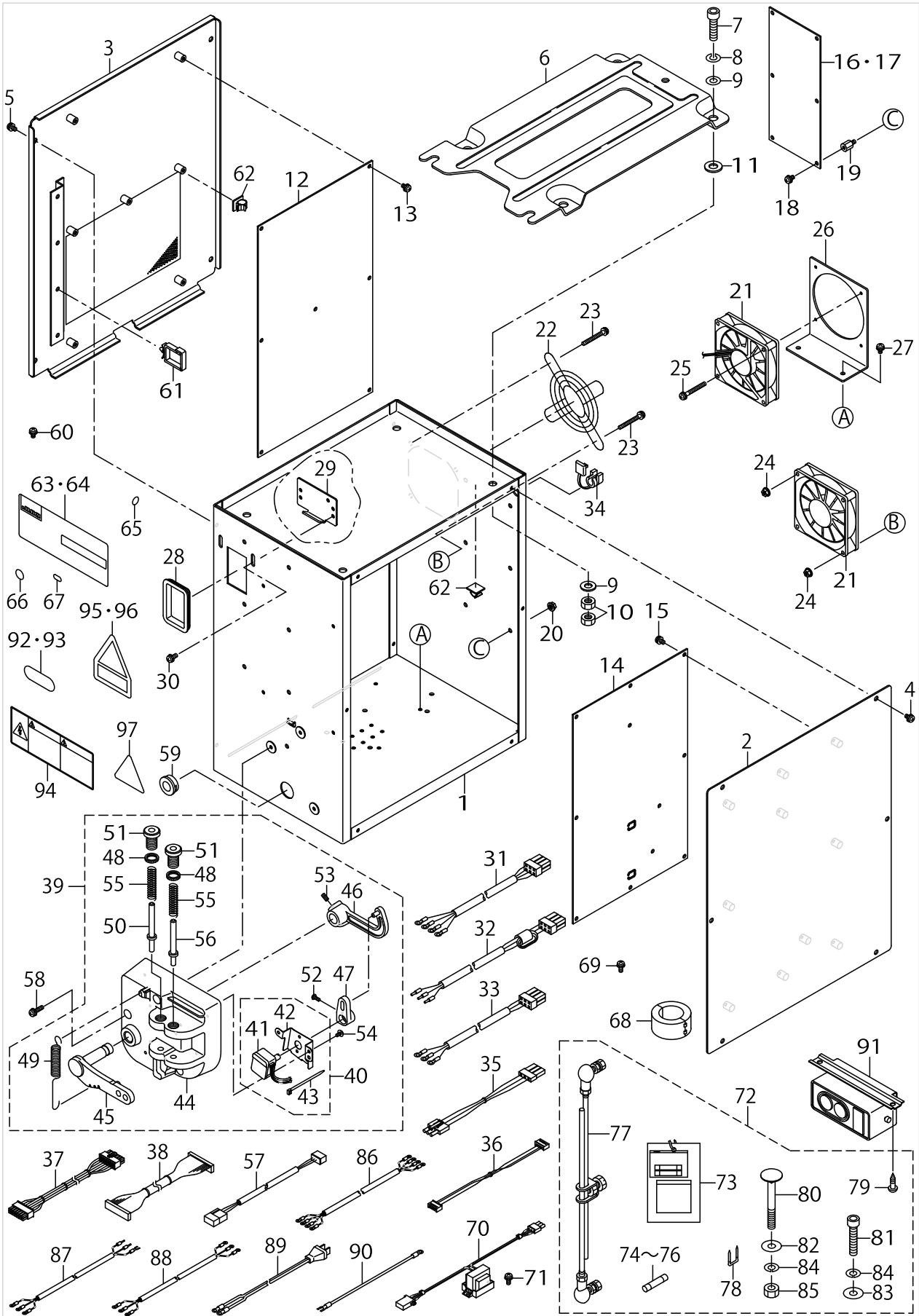
LOADER COMPONENTS



LOADER COMPONENTS

No.	Supply Code	Parts No.	Replacement	Parts name	Remarks	Choice	Step	Level	Cons	Qty	Rep. QTY
1		40001996		GEAR_BOX						1	
2		SL6062092TN		SCREW M6 L=20						2	
3		SD1001526TP		SHOULDER SCREW						1	
4		40019208		LOADER MOTOR ASSY						1	
5		SM6041402TP		SCREW M4 L=14						4	
6		40020958		GEAR A						1	
7		SM8060812TP		SCREW M6 L=8						2	
8		SB408000100		BEARING						3	
9		40019194		LOADER SENSOR ASSY						1	
10		SM4030855SN		SCREW M3 L=8.0						1	
11		40020976		LOADER_SENSOR_PLATE						1	
12		SL6040892TN		BOLT						2	
13		SM1030501SC		SCREW M3 L=5						2	
14		40020959		GEAR_B						1	
15		SM8060812TP		SCREW M6 L=8						2	
16		11272408		THRUST COLLAR						2	
17		16992604		THRUST WASHER						4	
18		40020966		ASSY_CARRIER_ARM_A						1	
19		40020975		CONNECTING_LINK						1	
20		40020978		SCREW_PIN						1	
21		40020973		ADJUSTING_METAL						1	
22		SM8050512TP		SCREW						2	
23		40020970		ASSY_CARRIER_ARM_B						1	
24		CS0800971TP		THRUST COLLAR D=8 W=9						2	
25		SM8050512TP		SCREW						4	
26		NM6050001SP		NUT M5						1	
27		SD0800327TP		SHOULDER SCREW						2	
28		40020963		ASSY_CARRIER_LINK						1	
29		40020974		ADJUSTING_BOSS						1	
30		WP0430800SC		WASHER M4						2	
31		SM6040602TP		SCREW M4 L=6						2	
32		40020977		BUTTON_CARRIER_BASE						1	
33		17857400		BUTTON CARRIER					☆	1	
34		40020979		CARRIER_SET_SCREW						1	
35		SM6850350TP		FLAT SCREW					☆	2	
36		EA9500B0100		CABLE BAND						1	
37		WP0531000SD		WASHER M5						1	
38		17858606		BUTTON CARRIER						1	
39		CM300200001		ATTENTION SEAL						1	
40		40020980		CARRIER_BASE_COVER						1	
41		EA9500B0200		CABLE BAND 150						1	

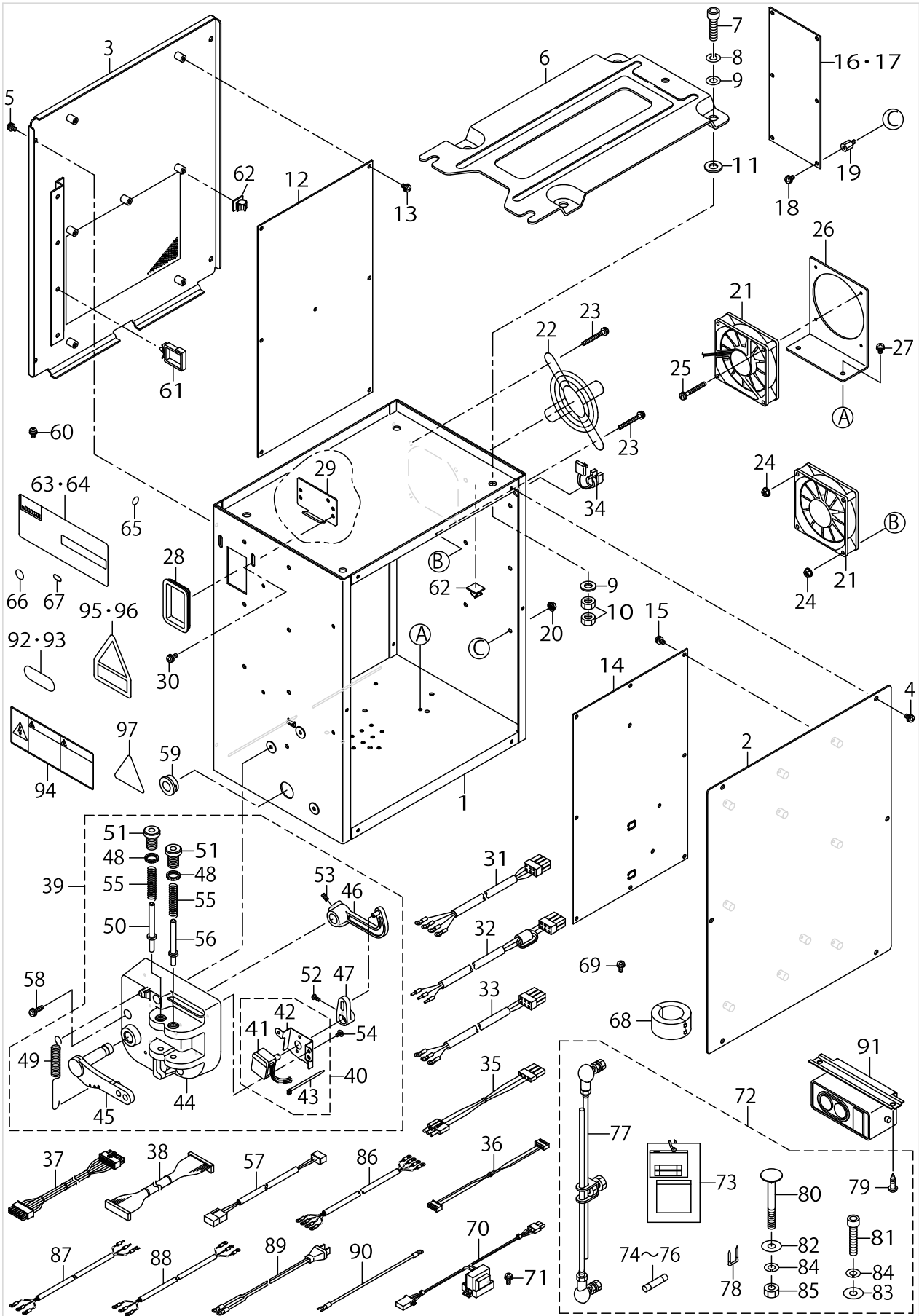
CONTROL BOX COMPONENTS



CONTROL BOX COMPONENTS

No.	Supply Code	Parts No.	Replacement	Parts name	Remarks	Choice	Step	Level	Cons	Qty	Rep. QTY
1	R	40003451	40055355	CONTROL BOX						1	1.00
2	D	40003452		CONTROL BOX FRONT COVER						1	
3		40003453		CONTROL BOX REAR COVER						1	
4		SL4040891SC		SCREW M4 L=8						6	
5		SL4040891SC		SCREW M4 L=8						4	
6		M3801476000		CONTROL BOX FITTING PLATE						1	
7		SM6083002TN		SCREW M8 L=30						4	
8		WS0820002KR		SPRING WASHER M8						4	
9		WP0841601SC		WASHER 8.4X17.4X1.6						8	
10		NM6080001SC		NUT M8X1.25						8	
11		M4206461000		WASHER						4	
12		40000012		MAIN PCB A ASSY						1	
13		SL4040881SC		SCREW M4 L=8						7	
14	R	40000029	40082758	SDC PCB A ASS'Y						1	1.00
15		SL4040881SC		SCREW M4 L=8						10	
16		40000056		FLT-T PCB A ASS'Y	FOR EXPORT/USE IN JAPAN(3-φ), USE IN JAPAN(1φ100V)					1	
17	R	40000046	40162838	FLT-S PCB A ASS'Y	FOR CE,EXPORT(1φ)					1	1.00
18		SL4040881SC		SCREW M4 L=8						6	
19		HX003390000		STUD						6	
20		NM3040520SC		NUT M4						6	
21		40005401		FAN MOTOR ASS'Y						2	
22		HM000480010		FINGER GUARD						1	
23		SL4043591SC		SCREW						4	
24		NM3040520SC		NUT M4						4	
25		SL4033091SC		SCREW M3 L=30						4	
26		40005404		FAN MOTOR BRACKET						1	
27		SL4040891SC		SCREW M4 L=8						2	
28		HX004070000		BUSH						1	
29		17845009		CORD FITTING PLATE						1	
30		SL4041091SC		SCREW M4 L=10						2	
31		40005391		POWER CORD 3P ASSY	FOR EXPORT/USE IN JAPAN(3-φ), USE IN JAPAN(1φ100V)					1	
32		40005392		POWER CORD 1P ASS'Y	FOR CE					1	
33		40005388		POWER CORD 1P220V ASSY	FOR EXPORT(1φ)					1	
34		HX00410000A		STRAIN RELIEF BUSHING						1	
35		40005393		FLT-SDC CORD P ASS'Y	FOR EXPORT/USE IN JAPAN(3-φ), USE IN JAPAN(1-φ100V), EXPORT(1φ)					1	
36		40005394		FLT-SDC CORD S ASS'Y						1	
37		40005395		SDC-MAIN CORD P ASS'Y						1	
38		40005396		SDC-MAIN CORD S ASS'Y						1	

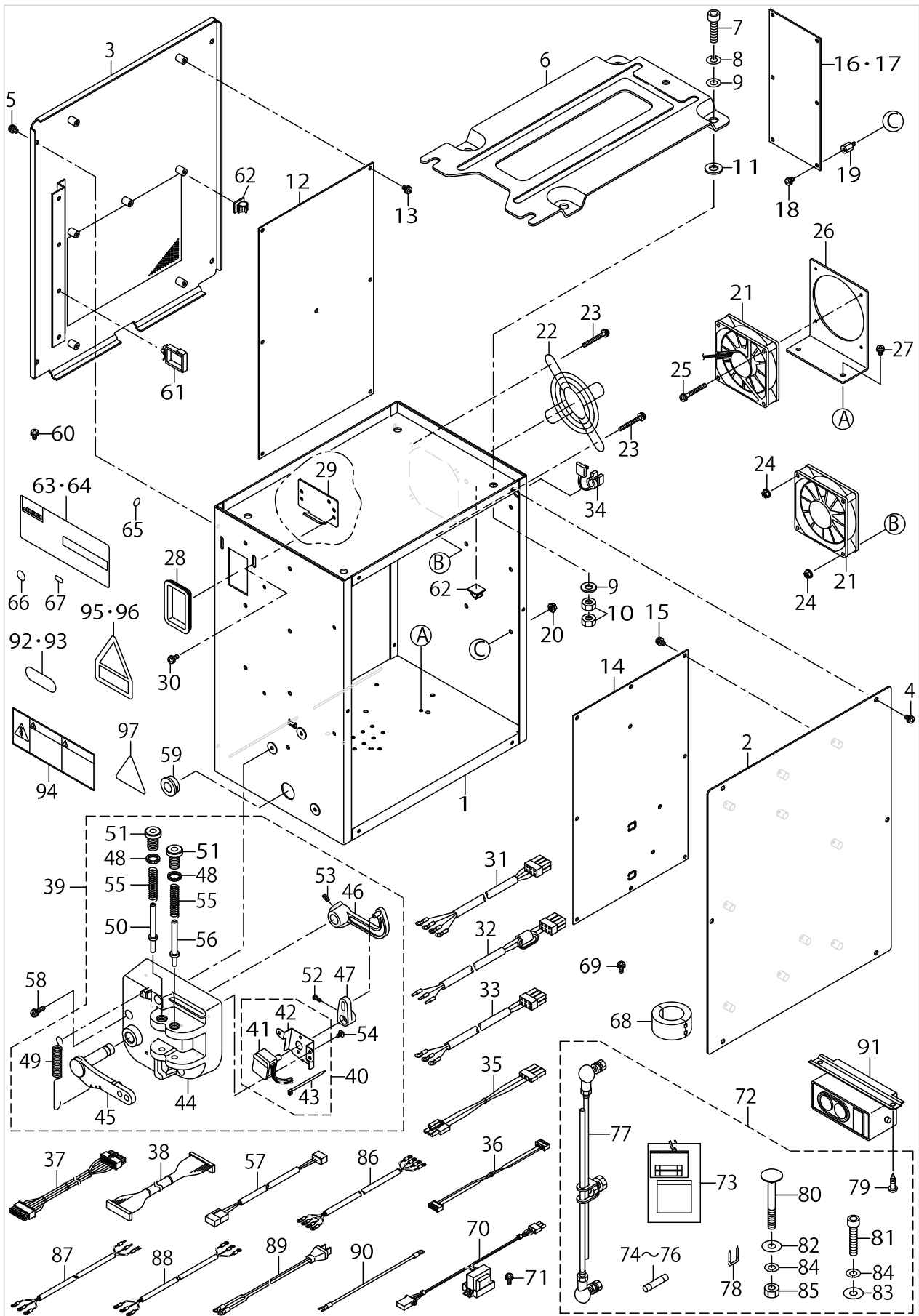
CONTROL BOX COMPONENTS



CONTROL BOX COMPONENTS

No.	Supply Code	Parts No.	Replacement	Parts name	Remarks	Choice	Step	Level	Cons	Qty	Rep. QTY
39		40005980		PEDAL SENSOR UNIT A ASM.						1	
40		40005981		SENSOR FITTING PLATE A ASM.				*		1	
41		40005982		PEDAL SENSOR A ASM.				*		1	
42		M4006461000		SENSOR INSTALLING PLATE				*		1	
43		EA9500B0100		CABLE BAND				*		1	
44		M4001461000		PEDAL SENSORBASE				*		1	
45		M4002461000		PEDAL LEVER				*		1	
46	R	M4004461000	40006204	PEDAL RING				*		1	1.00
47		M4005461000		VOLUME LINK				*		1	
48		M2010110000		ADJUST NUT				*		2	
49		M4007351000		FRONT SPRING				*		1	
50		M4008351000A		SPRING SHAFT A				*		1	
51		M4012351000		ADJUST SCREW				*		1	
52		SM4030801SF		SCREW M3X0.5 L=8				*		1	
53		SM8040802TP		SCREW M4X8				*		2	
54		SV4030601SR		SCREW M3 L=6				*		2	
55		M4011351000		SPRING B				*		2	
56		M4009351000A		SPRING SHAFT B				*		1	
57		40021048		PEDAL SENSOR JO- INT CORD ASSY						1	
58		SL4041681SF		SCREW M4 L=16						3	
59		HX00188000D		BUSH						1	
60		SL4040891SC		SCREW M4 L=8						2	
61		HX005110000		WIRE SADDLE						3	
62		E9607603000		STICKER (SMALL)						2	
63		40015603		RATING LABEL (BLANK)	FOR EXPO- RT/USE IN JAPAN(3- φ), USE IN JAPAN(1- φ 100V), E- XPORT(1 φ)					1	
64		40013870		CE RATING LABEL(BLANK)	FOR CE					1	
65		E9567319000		EARTH MARK						1	
66		CM200100001		PE MARK LABEL	FOR CE					1	
67		40003458		MASK SEAL						10	
68		HN002460000		CORES	FOR CE					1	
69		SL4041081SC		SCREW M4 L=10	FOR CE					1	
70		40012038		REACTOR CORD ASSY	FOR CE					1	
71		SL4041091SC		SCREW M4 L=10	FOR CE					2	
72		40005385		ACCESSORIE PARTS A ASM.						1	
73		M300451100A		VOLTAGE INDICATION CARD A				*		1	
74		HF00130315S		FUSE 3.15A 250V REF. NO.112				*		1	
75		HF003000200		FUSE 2A (220/240V)				*		1	
76		HF0013050P0		FUSE 5A				*		1	
77		22958458		CONNECTING ROD ASM. B				*		1	
78	D	MA011532000		STAPLE				*		3	
79		SK3512001SE		WOOD SCREW D=5.1 L=20				*		2	
80		MTSHJ100003		BOLT				*		2	

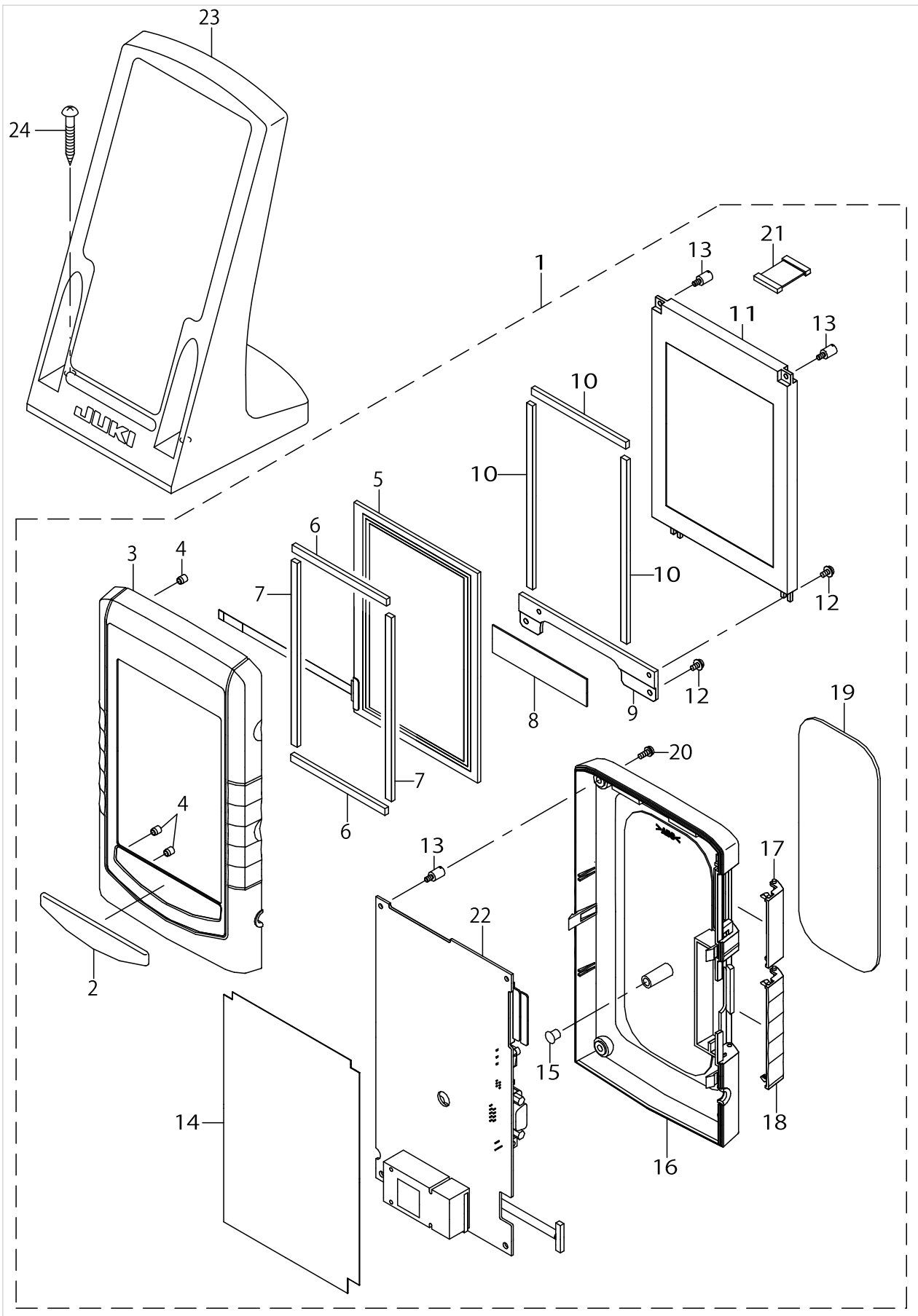
CONTROL BOX COMPONENTS



CONTROL BOX COMPONENTS

No.	Supply Code	Parts No.	Replacement	Parts name	Remarks	Choice	Step	Level	Cons	Qty	Rep. QTY
81		SM6084002TN		SCREW M8 L=40				*		1	
82		WP0852086SC		WASHER M8				*		2	
83		WP0841601SC		WASHER 8.4X17.4X1.6				*		1	
84		WS0820002KR		SPRING WASHER M8				*		3	
85		NM6080002SC		NUT M8				*		2	
86		M90175800A0		POWER CABLE ASM.	FOR EXPORT/USE IN JAPAN(3φ)					1	
87		40005390		JE POWER CABLE ASM	FOR CE					1	
88		M90245800A0		POWER CABLE ASM. 100V	FOR EXPORT(1φ)					1	
89		M90355800A0		POWER SOURCE CORD ASM.	FOR USE IN JAPAN(1φ 100V)					1	
90		M90345800A0		GROUND CORD ASM.	FOR USE IN JAPAN(1φ 100V)					1	
91		HA004250000		SWITCH	FOR EXPORT/USE IN JAPAN(3-φ), USE IN JAPAN(1-φ 100V), EXPORT(1φ)					1	
92		BME03200000		VOLTAGE INDICATION SEAL	FOR EXPORT/USE IN JAPAN(3φ)					1	
93		BME01100000		VOLTAGE INDICATION SEAL	FOR USE IN JAPAN(1φ 100V)					1	
94		CM300100401		LABEL 3 (LARGE)	FOR EXPORT/USE IN JAPAN(3-φ), USE IN JAPAN(1φ 100V)					1	
95		CM300400701		VOLTAGE CAUTION LABEL	FOR EXPORT/USE IN JAPAN(3φ)					1	
96		CM300400601		VOLTAGE CAUTION LABEL	FOR CE,EXPORT(1φ)					1	
97		CM300100003		VOLTAGE WARNING LABEL(25)	FOR CE,EXPORT(1φ)					1	

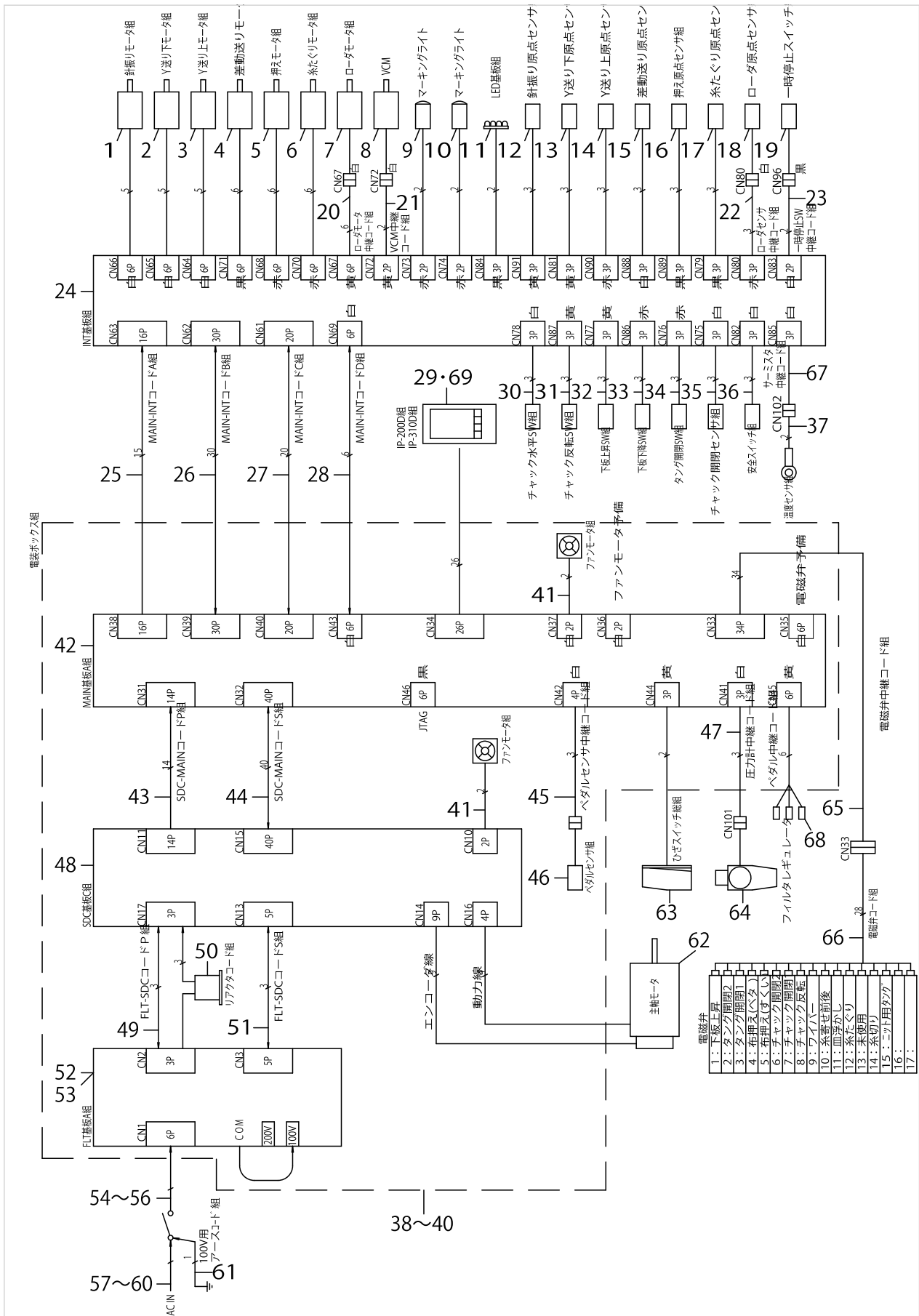
OPERATION PANEL COMPONENTS



OPERATION PANEL COMPONENTS

No.	Supply Code	Parts No.	Replacement	Parts name	Remarks	Choice	Step	Level	Cons	Qty	Rep. QTY
1	R	40009941	HN002840000	IP-200D ASSY		A				1	1.00
1	R	40009941	40055276	IP-200D ASSY		A				1	1.00
1	R	40009941	40105353	IP-200D ASSY						1	1.00
2		40000131		NAME_PLATE				*		1	
3	R	40000132	40059378	OPERATION_PANEL_F		D	FOR ACF	*		1	1.00
3	R	40000132	40101221	OPERATION_PANEL_F				*		1	1.00
3	R	40000132	40105353	OPERATION_PANEL_F				*		1	1.00
3	R	40000132	40112935	OPERATION_PANEL_F				*		1	1.00
3	R	40000132	40105233	OPERATION_PANEL_F				*		1	1.00
4		40000133		INSERT_NUT				*		6	
5	R	A3906010000	A3906010000A	TOUCH PANEL				*		1	1.00
6		40000134		TTP_H_FELT				*		2	
7		40000135		TTP_V_FELT				*		2	
8		40000136		KEY_SHEET				*		1	
9		40000137		LCD_BASE_PLATE				*		1	
10		40000138		BOTHSIDES_TAPE				*		3	
11	R	A39500100A0	A39500100A0A	LCD				*		1	1.00
12		SL4030691SC		SCREW M3X6				*		4	
13		40000139		STUD				*		6	
14	R	40000140	40059378	ISOLATION_SHEET		D	FOR ACF	*		1	1.00
14	R	40000140	40101221	ISOLATION_SHEET				*		1	1.00
14	R	40000140	40105353	ISOLATION_SHEET				*		1	1.00
14	R	40000140	40112935	ISOLATION_SHEET				*		1	1.00
14	R	40000140	40105233	ISOLATION_SHEET				*		1	1.00
15		TA0550604R0		RUBBER PLUG				*		1	
16	D	40000141		OPERATION_PANEL_R				*		1	
17	D	40000142		SM_COVER				*		1	
18	D	40000143		SERIAL_COVER				*		1	
19		40000144		OPERATION_PANEL_MAGNET				*		1	
20		SL4030881SC		SCREW M3X8				*		4	
21		40000146		LCD_CABLE_ASS'Y				*		1	
22	R	40000148	40059378	PANEL_PCB_A_ASS'Y		D	FOR ACF	*		1	1.00
22	R	40000148	40101221	PANEL_PCB_A_ASS'Y				*		1	1.00
22	R	40000148	40105353	PANEL_PCB_A_ASS'Y				*		1	1.00
22	R	40000148	40112935	PANEL_PCB_A_ASS'Y				*		1	1.00
22	R	40000148	40105233	PANEL_PCB_A_ASS'Y				*		1	1.00
23		40035024		OPERATION_BOX_FIXED_PLATE(B)ASM						1	
24		SK3413201SE		WOOD SCREW D=4.1 L=32						2	

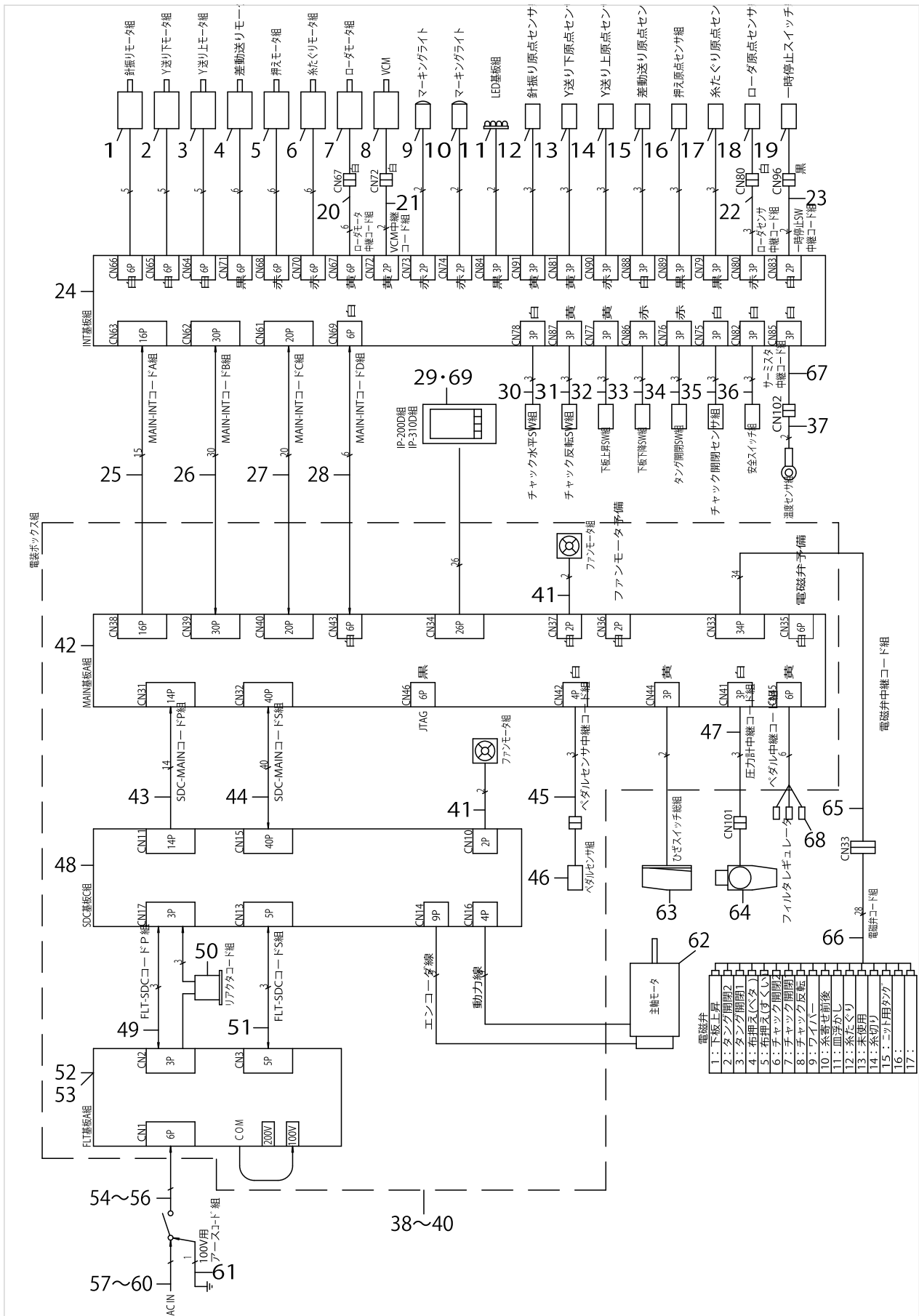
WIRING DIAGRAM COMPONENTS



WIRING DIAGRAM COMPONENTS

No.	Supply Code	Parts No.	Replacement	Parts name	Remarks	Choice	Step	Level	Cons	Qty	Rep. QTY
1		40019202		NEEDLE SWING MOTOR						1	
2		40019203		LOWER FEED MOTOR ASSY						1	
3		40019204		UPPER FEED MOTOR ASSY						1	
4		40019205		DIF FEED MOTOR ASSY						1	
5		40019206		PRESS MOTOR ASSY						1	
6		40019207		THREAD MOTOR ASSY						1	
7		40019208		LOADER MOTOR ASSY						1	
8		40020700		VCM						1	
9		40019209		LIGHT MARKING PROJECTOR						1	
10		40019209		LIGHT MARKING PROJECTOR						1	
11		40018377		LED PCB ASSY						1	
12		40019188		NEEDLE SWING SENSOR ASSY						1	
13		40019189		LOWER FEED SENSOR ASSY						1	
14		40019190		UPPER FEED SENSOR ASSY						1	
15		40019191		DIF FEED SENSOR ASSY						1	
16		40019192		PRESS SENSOR ASSY						1	
17		40019193		THREAD SENSOR ASSY						1	
18		40019194		LOADER SENSOR ASSY						1	
19		32002354		SWITCH ASM.						1	
20		40021152		LOADER MOTOR JOINT CORD ASSY						1	
21		40021154		VCM JOINT CORD ASSY						1	
22		40021153		LOADER SENSOR JOINT CORD ASSY						1	
23		40012836		PAUSE SWITCH JOINT CORD ASSY						1	
24		40012197		INT PCB ASSY						1	
25		40000079		MAIN-INT CORD A ASSY						1	
26		40000080		MAIN-INT CORD B ASSY						1	
27		40000082		MAIN-INT CORD C ASSY						1	
28		40000084		MAIN-INT CORD D ASSY						1	
29	R	40009941	HN002840000	IP-200D_ASSY		A				1	1.00
29	R	40009941	40055276	IP-200D_ASSY		A				1	1.00
29	R	40009941	40105353	IP-200D_ASSY						1	1.00
30		40019195		CHUCK HOR SWITCH ASSY						1	
31		40019196		CHUCK VER SWITCH ASSY						1	
32		40019197		FEED UP SWITCH ASSY						1	
33		40019198		FEED DOWN SWITCH ASSY						1	
34		40019199		TONGUE OPEN SWITCH ASSY						1	
35		40019200		CHUCK OPEN SENSOR ASSY						1	
36		40019201		SAFETY SWITCH ASSY						1	
37		40022474		THERMISTOR ASSY						1	
38		40012832		CONTROL BOX A ASSY	FOR EXPORT/USE IN JAPAN (3- ϕ 200~240V), USE IN JAPAN(1 ϕ 100V)					1	
39		40012833		CONTROL BOX B ASSY	FOR CE(1 ϕ 230V)					1	
40		40012834		CONTROL BOX C ASSY	FOR EXPORT(1 ϕ 200~240V)					1	

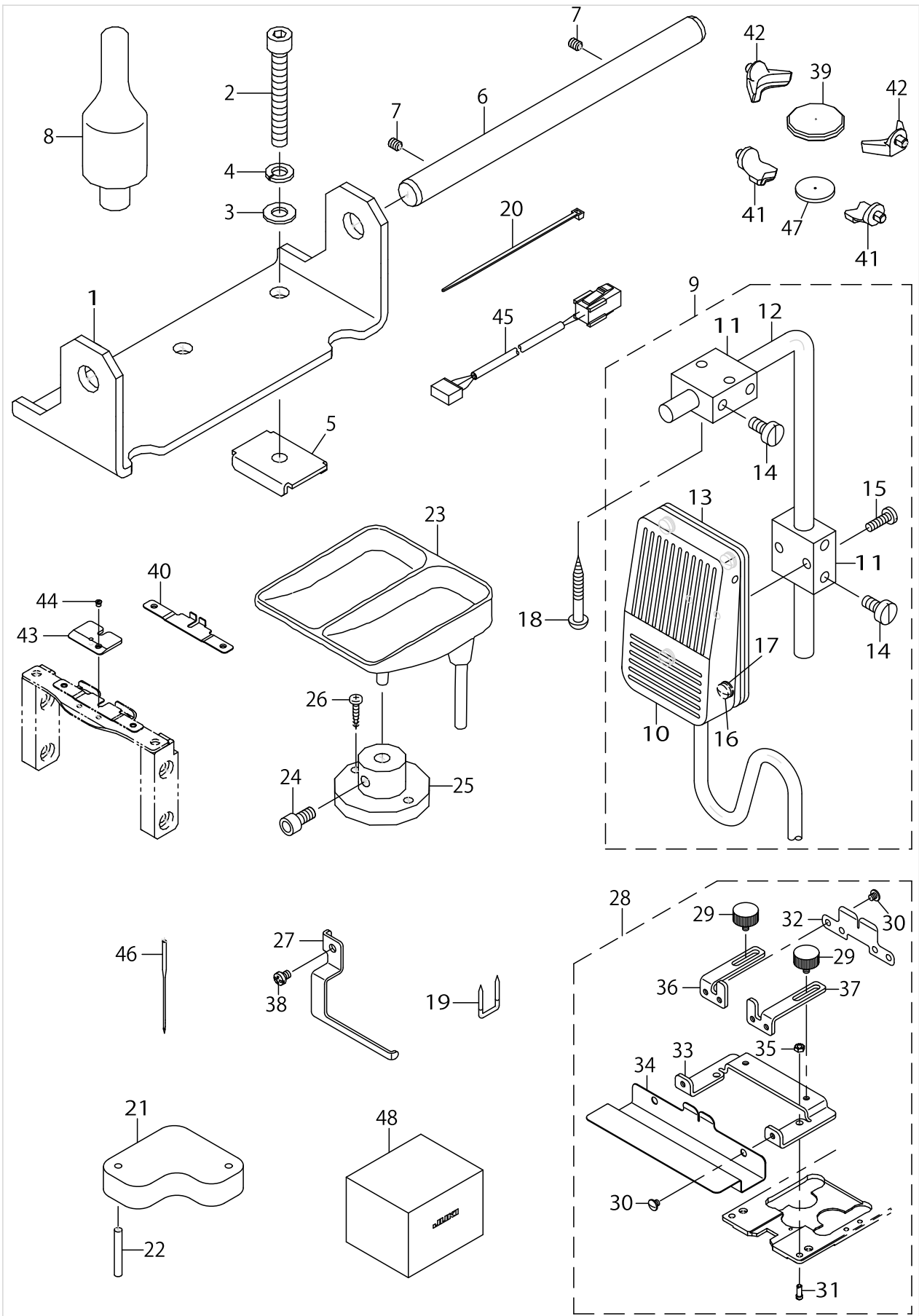
WIRING DIAGRAM COMPONENTS



WIRING DIAGRAM COMPONENTS

No.	Supply Code	Parts No.	Replacement	Parts name	Remarks	Choice	Step	Level	Cons	Qty	Rep. QTY
41		40005401		FAN MOTOR ASS'Y				*		2	
42		40000012		MAIN PCB A ASSY				*		1	
43		40005395		SDC-MAIN CORD P ASS'Y				*		1	
44		40005396		SDC-MAIN CORD S ASS'Y				*		1	
45		40021048		PEDAL SENSOR JOINT CORD ASSY				*		1	
46		40005980		PEDAL SENSOR UNIT A ASM.				*		1	
47		40000085		PRESS GAUGE JOINT CORD ASSY				*		1	
48	R	40023271	40082758	SDC PCB C ASSY				*		1	1.00
49		40005393		FLT-SDC CORD P ASS'Y	FOR EXPORT/USE IN JAPAN (3- ϕ 200~240V), USE IN JAPAN(1- ϕ 100V), EXPORT(1- ϕ 200~240V)			*		1	
50		40012038		REACTOR CORD ASSY	FOR CE(1 ϕ 230V)			*		1	
51		40005394		FLT-SDC CORD S ASS'Y				*		1	
52		40000056		FLT-T PCB A ASS'Y	FOR EXPORT/USE IN JAPAN (3- ϕ 200~240V), USE IN JAPAN(1 ϕ 100V)			*		1	
53	R	40000046	40162838	FLT-S PCB A ASS'Y	FOR CE(1- ϕ 230V), EXPORT(1- ϕ 200~240V)			*		1	1.00
54		40005391		POWER CORD 3P ASSY	FOR EXPORT/USE IN JAPAN (3- ϕ 200~240V), USE IN JAPAN(1 ϕ 100V)					1	
55		40005392		POWER CORD 1P ASS'Y	FOR CE(1 ϕ 230V)					1	
56		40005388		POWER CORD 1P220V ASSY	FOR EXPORT(1 ϕ 200~240V)					1	
57		M90245800A0		POWER CABLE ASM. 100V	FOR EXPORT(1 ϕ 200~240V)					1	
58		40005390		JE POWER CABLE ASM	FOR CE(1 ϕ 230V)					1	
59		M90175800A0		POWER CABLE ASM.	FOR EXPORT/USE IN JAPAN (3- ϕ 200~240V)					1	
60		M90355800A0		POWER SOURCE CORD ASM.	FOR USE IN JAPAN(1 ϕ 100V)					1	
61		M90345800A0		GROUND CORD ASM.	FOR USE IN JAPAN(1 ϕ 100V)					1	
62	R	40003470	40052937	AC SERVO MOTOR		A	A:AMS-210E			1	1.00
62	R	40003470	40028015	AC SERVO MOTOR		B	B:LK-1900-A/LBH-1790			1	1.00
63		40021177		KNEE SWITCH FULL ASSY						1	
64		40019187		FILTER REGULATOR						1	
65		40019236		AIR VALVE JOINT CORD ASSY						1	
66		40019210		AIR VALVE CORD ASSY						1	
67		40022475		THERMISTOR JOINT CORD ASSY						1	
68		40029422		PEDAL RELAY CORD ASSY	OPTIONAL PARTS					1	
69		40059301		IP-310D COMPLETE						1	

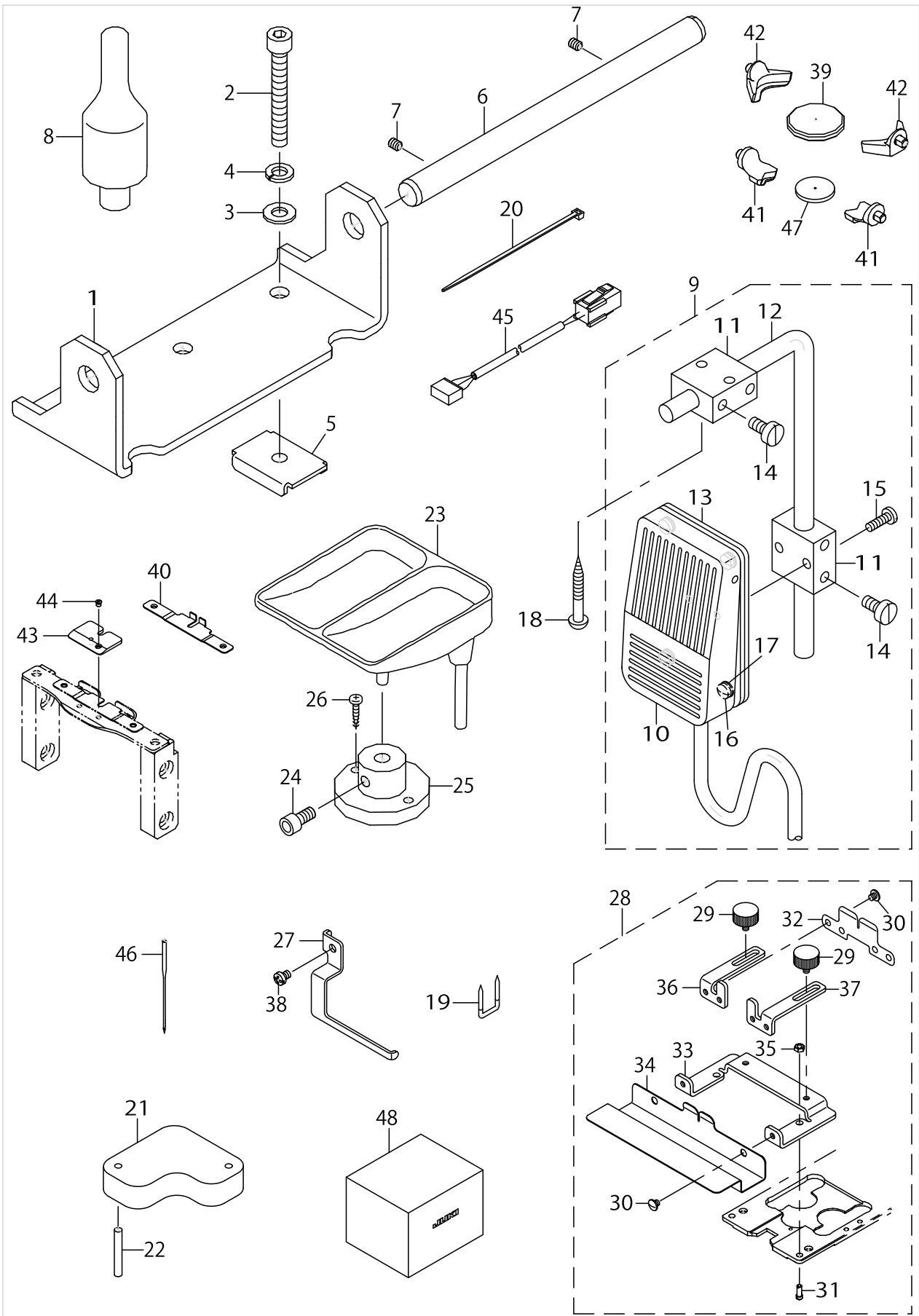
ACCESSORIE PART COMPONENTS (1)



ACCESSORIE PART COMPONENTS (1)

No.	Supply Code	Parts No.	Replacement	Parts name	Remarks	Choice	Step	Level	Cons	Qty	Rep. QTY
1		40021009		ARM_STAY						1	
2		SM6086002TP		SCREW						3	
3		WP0841601SC		WASHER 8.4X17.4X1.6						3	
4		WS0820002KN		SPRING WASHER M8						3	
5		17007402		NUT						3	
6		40021008		ARM_STAY_SHAFT						1	
7		SM8050612TP		SCREW M5X6						2	
8		14101208		HEAD SUPPORT BAR						1	
9		40021177		KNEE SWITCH FULL ASSY						1	
10		40021176		KNEE SWITCH ASSY				*		1	
11		MAT80230T00		KNEE SWITCH SUPPORT BASE				*		2	
12		MAT80231T00		DRIVING BAR T002				*		1	
13	D	MAT80232T00		KNEE SWITCH SUPPORT PLATE				*		1	
14		SS6151220SP		SCREW 15/64-28 L=11.5				*		4	
15	R	SS7111410SP	SS7111410TP	SCREW 11/64-40 L=14				*		2	1.00
16		SS7110710SL		SCREW 11/64-40 L=7.0				*		4	
17		WP0480856SP		WASHER 4.8X8.4X0.8				*		4	
18	R	SK3514000SC	SK3514001SE	WOOD SCREW D=5.1 L=40						2	1.00
19		MAO11532000		CORD STAPLE						1	
20		EA9500B0100		CABLE BAND						3	
21		B8171223C00		RUBBER ABSORBER						1	
22		PH0400284S0		PIN 4.0X28						2	
23		17848458		BUTTON TRAY ASM.						1	
24		SM6061202TP		SCREW M6 L=12						1	
25		40033635		BUTTON TRAY BASE						1	
26	R	SK3412000SC	SK3412000SE	WOOD SCREW D=4.1 L=20						2	1.00
27		40021006		FINGER_GUARD						1	
28		40021015		ASSY_BUTTON_HOLDER						1	
29		E2076721000		BU HAND KNOB				*		2	
30		SM0030301SN		SCREW				*		4	
31		40020877		HOLDER_PIN				*		2	
32		40020879		HOLDER_PLATE_B				*		1	
33		40020882		HOLDER_BASE				*		1	
34		40020878		HOLDER_PLATE_A				*		1	
35		NM6030001SC		NUT M3				*		2	
36		40020880		HOLDER_GUIDE_A				*		1	
37		40020881		HOLDER_GUIDE_B				*		1	
38		SM4040655SP		SCREW M4 L=6						1	
39		40021012		LARGE_GAUGE						1	
40		40020773		UNDER_PLATE_GUIDE_C						1	
41		40020932		NAIL_CRAMP_SMALL						2	
42		40020930		NAIL_CRAMP_LARGE						2	
43		40024295		ASSY_UNDER_PLATE_SPACER_A						1	
44		SS2060210SP		SCREW 3/32-56 L=2.3						2	
45		40000085		PRESS GAUGE JOINT CORD ASSY						1	
46		MSM3AAN1400		NEEDLE SMX332EXTLG-NY #14						10	

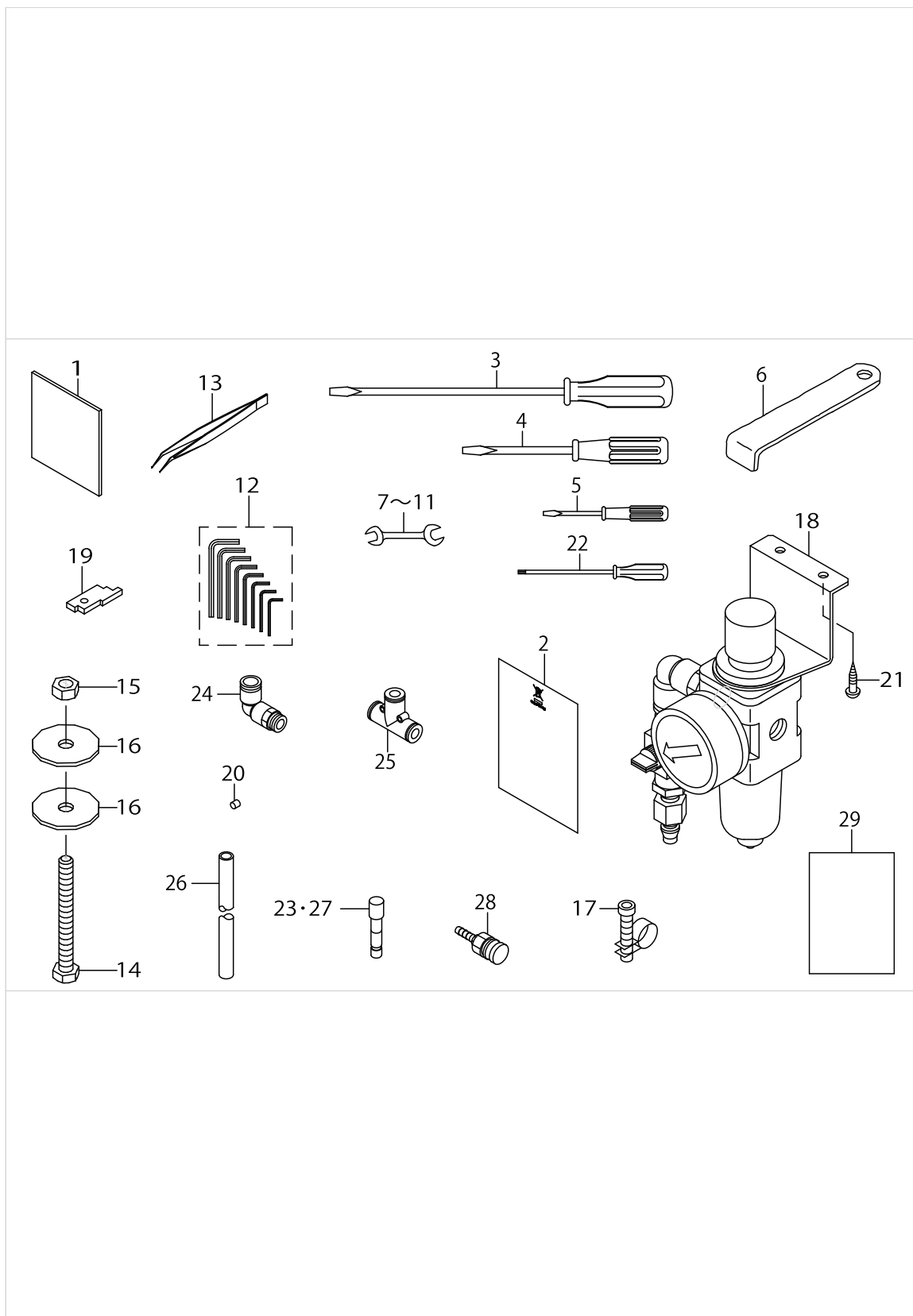
ACCESSORIE PART COMPONENTS (1)



ACCESSORIE PART COMPONENTS (1)

No.	Supply Code	Parts No.	Replacement	Parts name	Remarks	Choice	Step	Level	Cons	Qty	Rep. QTY
47		40021011		SMALL_GAUGE						1	
48		40048664		HEAD_COVER						1	

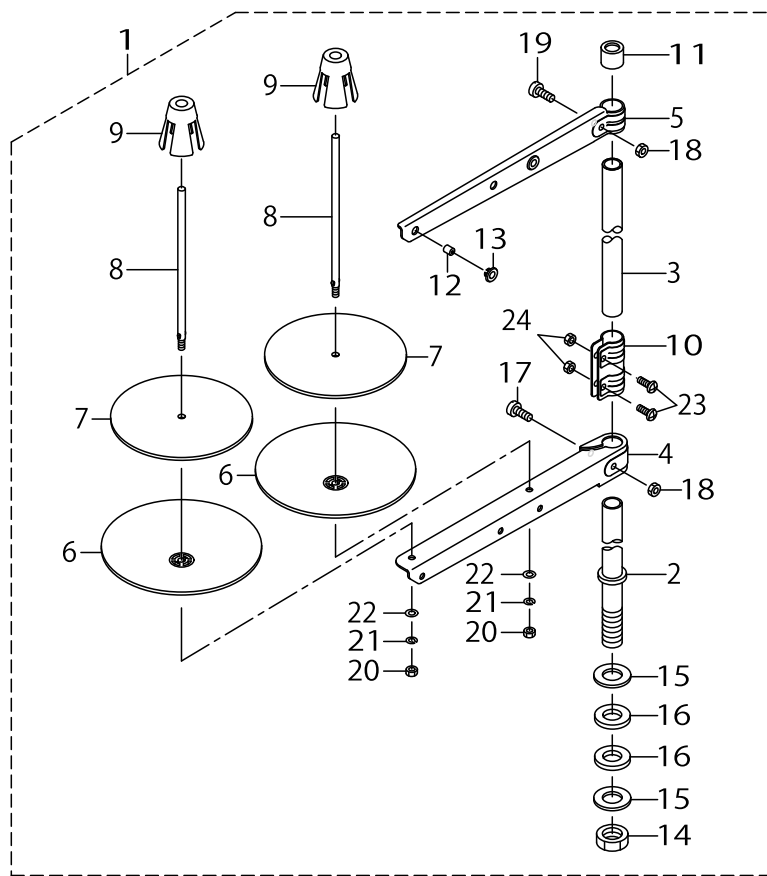
ACCESSORIE PART COMPONENTS (2)



ACCESSORIE PART COMPONENTS (2)

No.	Supply Code	Parts No.	Replacement	Parts name	Remarks	Choice	Step	Level	Cons	Qty	Rep. QTY
1		16292500		NOISE COVER B						1	
2		CM600100201		WEEE INFORMATION SHEET						1	
3		22933006		SCREW DRIVER LARGE						1	
4		22933105		SCREW DRIVER MIDDLE						1	
5		22933204		SCREW DRIVER SMALL						1	
6		B9101490000		DRIVER						1	
7		G5102151000		DOUBLE-ENDED WRENCH 5X6						1	
8		B9143372000		WRENCH (7.1 X 8.1)						1	
9		B9113012000		WRENCH (9X10)						1	
10		J1043000A0A		WRENCH 10X13						1	
11		26034702		WRENCH 14X11						1	
12		G91011160A0		L-SHAPED WRENCH ASM.						1	
13		12288403		TWEEZERS						1	
14		SM9087523SE		HEAXGON BOLT						1	
15		NM6080001SE		NUT M8						1	
16		17008004		WASHER						2	
17		PB000010000		HOSE BAND						1	
18		40019187		FILTER REGULATOR						1	
19		40021013		GUAGE						1	
20		MAL01129000		MAGNET						1	
21		SK3452001SE		WOOD SCREW D=4.5 L=20						2	
22		11851102		SCREW WRENCH						1	
23		PX950001000		PLUG						1	
24		PJ304085201		ELBOW UNION 8XPT1/4						1	
25		PJ305080001		PIPE TEE						1	
26		BT0800501EB		VINYL TUBE						.5	
27		PX950001000		PLUG						1	
28		PJ309520001		SOCKET						1	
29		29180403		EC PRODUCTION DECLARATION						1	

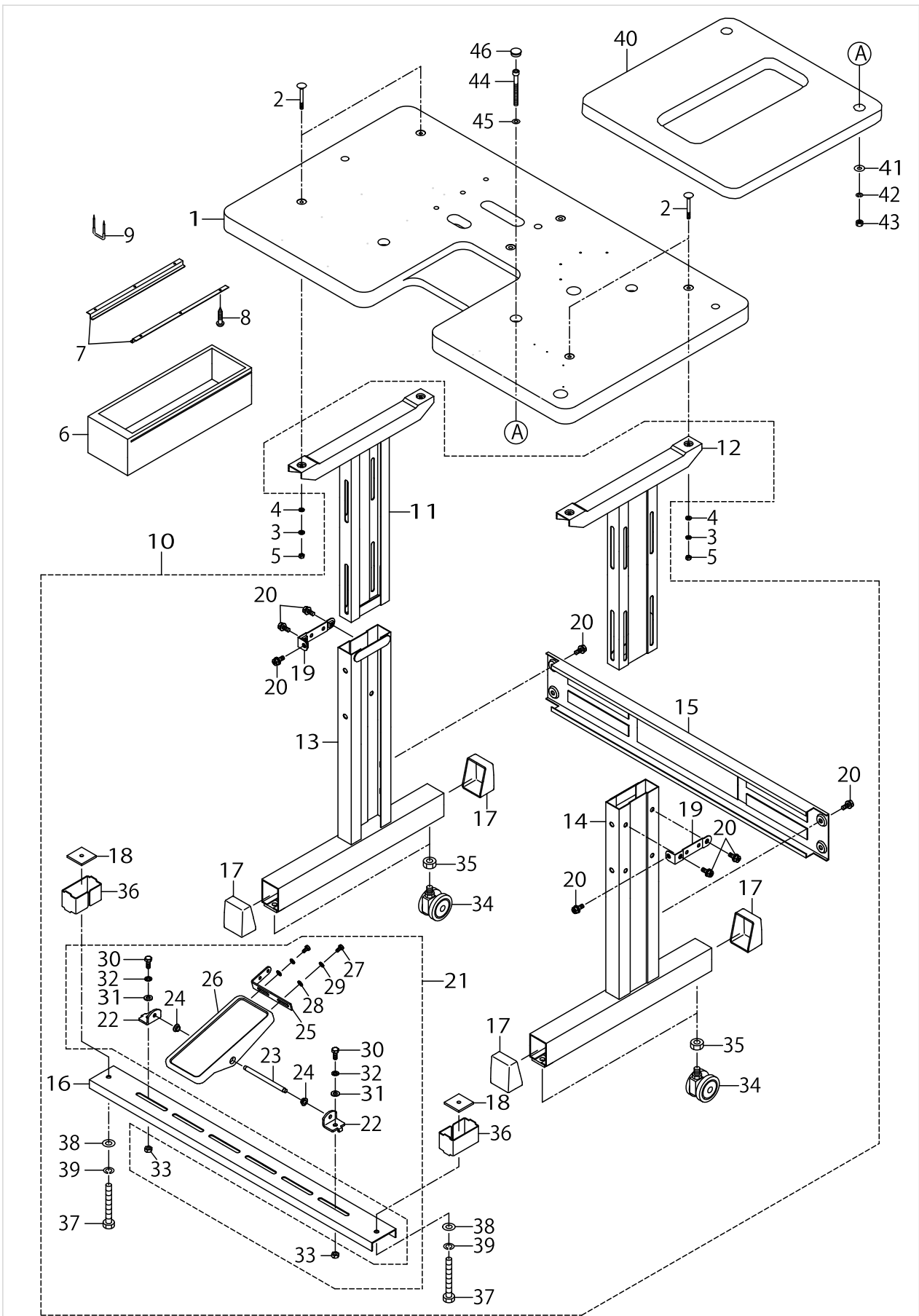
THREAD STAND COMPONENTS



THREAD STAND COMPONENTS

No.	Supply Code	Parts No.	Replacement	Parts name	Remarks	Choice	Step	Level	Cons	Qty	Rep. QTY
1		40096354		THREAD STAND ASM.						1	
2		40085784		SPOOL REST ROD LOWER				*		1	
3		40085785		SPOOL REST ROD UPPER				*		1	
4		40085786		SPOOL REST ARM LOWER				*		1	
5		40085787		SPOOL REST ARM UPPER				*		1	
6		40085788		SPOOL REST				*		2	
7		40085789		SPOOL REST CUSHION				*		2	
8		40085790		SPOOL PIN				*		2	
9		40085791		SPOOL RETAINER				*		2	
10		40085792		SPOOL REST ROD JOINT				*		1	
11		40085793		SPOOL REST ROD RUBBER CAP				*		1	
12		40085794		THREAD GUIDE				*		2	
13		40085795		THREAD GUIDE BUSHING				*		2	
14		40096325		SPOOL REST ROD NUT				*		1	
15		WP1612616SE		WASHER 16X30X2.6				*		2	
16		40085796		SPOOL REST ROD RUBBER CUSHION				*		2	
17		40096326		SPOOL REST ARM LOWER SCREW				*		1	
18		NM6050001SE		NUT M5				*		2	
19	R	40096327	SM4053001SE	SPOOL REST ARM UPPER SCREW				*		1	1.00
20		NM6050001SE		NUT M5				*		2	
21		WS0510002KN		SPRING WASHER M5				*		2	
22		WP0531001SC		WASHER M5				*		2	
23		SM4051405SE		SCREW M5 L=14				*		2	
24		NM6050001SE		NUT M5				*		2	

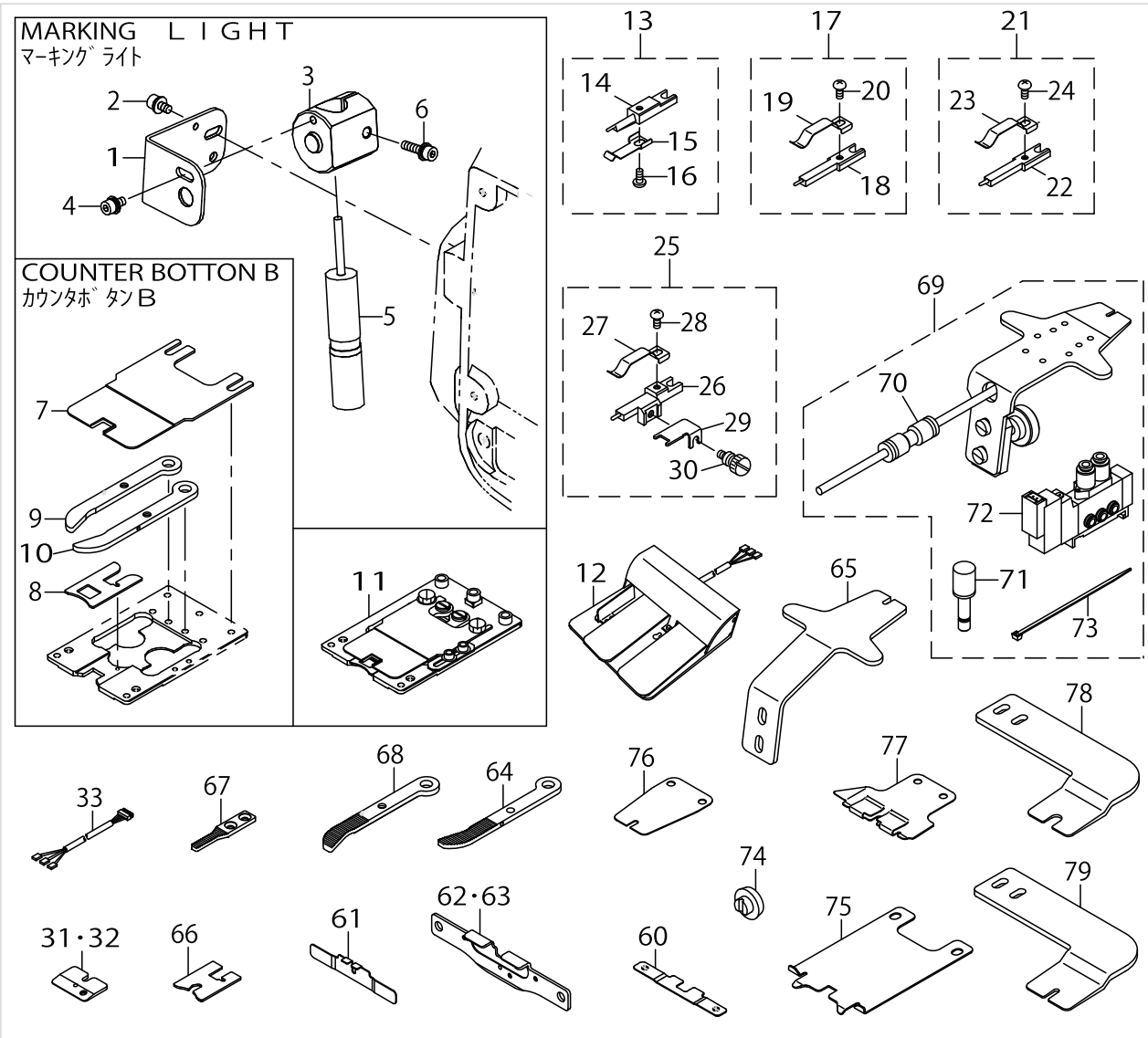
OPTION COMPONENTS (1) (TABLE)



OPTION COMPONENTS (1) (TABLE)

No.	Supply Code	Parts No.	Replacement	Parts name	Remarks	Choice	Step	Level	Cons	Qty	Rep. QTY
1		40020990		TABLE						1	
2		MAO11108N00		PEDAL SWITCH FRAME BOLT						4	
3		WP0641601SC		WASHER						4	
4		WS0610002KN		SPRING WASHER 6.1X12.2X1.5						4	
5		NM6060001SC		NUT M6						4	
6	R	11155108	11155157	DRAWER						1	1.00
7		11155207		DRAWER SUPPORT						2	
8	R	SK3311600SC	SK3311601SE	WOOD SCREW D=3.1 L=16						6	1.00
9		D8204555D00		DRAWER STOPPER						1	
10		14191951		T-STAND COMPL.						1	
11		B8101210AAB		UPPER STAND ASM.				*		1	
12		14118152		UPPER STAND ASM. RIGHT				*		1	
13		B8105210AAA		STAND ASM.				*		1	
14		14118251		STAND ASM. RIGHT				*		1	
15	D	11158300		STAND SIDE SUPPORT				*		1	
16		11158409		STAND SIDE SUPPORT				*		1	
17		11158607		RUBBER CAP				*		4	
18		17007402		NUT				*		2	
19		11158516		UPPERSTANDPLATE				*		2	
20		SL9082091SE		WASHER HEXAGONAL BOLT				*		10	
21		13817754		Z-STAND PEDAL ASM.				*		1	
22		11159001		PEDAL SHAFT BRACKET				*		2	
23		B8153771000		PEDAL CONNECTING ROD				*		1	
24		D8113555B00		PEDAL BUSHING				*		2	
25		GPF06080000		PEDAL ADJUSTING PLATE				*		1	
26		GPF060600A0		PEDAL ASM.				*		1	
27		SM9061203SE		SCREW M6 L=12				*		2	
28		WP0671016SE		WASHER 6.7X13X1				*		2	
29		WS0621210KR		SPRING WASHER 6.2X11.4X1.2				*		2	
30		SM9082023SE		SCREW M8 L=20				*		2	
31		WP0871602SE		WASHER 8.7X18X1.6				*		4	
32		WS0861410KR		SPRING WASHER 8.6X15X1.4				*		2	
33		NM6080721SE		NUT M8				*		2	
34		B8150210000		CASTER				*		4	
35		NM6120003SE		NUT M12				*		4	
36		11159506		STRUT AUXILIARY PLATE				*		2	
37		SM9086523SE		HEXAGONAL BOLT				*		2	
38		WP0871602SE		WASHER 8.7X18X1.6				*		2	
39		WS0861410KR		SPRING WASHER 8.6X15X1.4				*		2	
40		17971805		AUXILIARY TABLE						1	
41		WP0851846SC		WASHER8.5X22.0X1.8						2	
42		WS0820002KN		SPRING WASHER M8						2	
43		NM6080002SC		NUT M8						2	
44		SM6088002TN		SCREW						2	
45		WP0841601SC		WASHER8.4X17.4X1.6						2	
46		HX00326000K		DOME PLUG						2	

OPTION COMPONENTS (2)

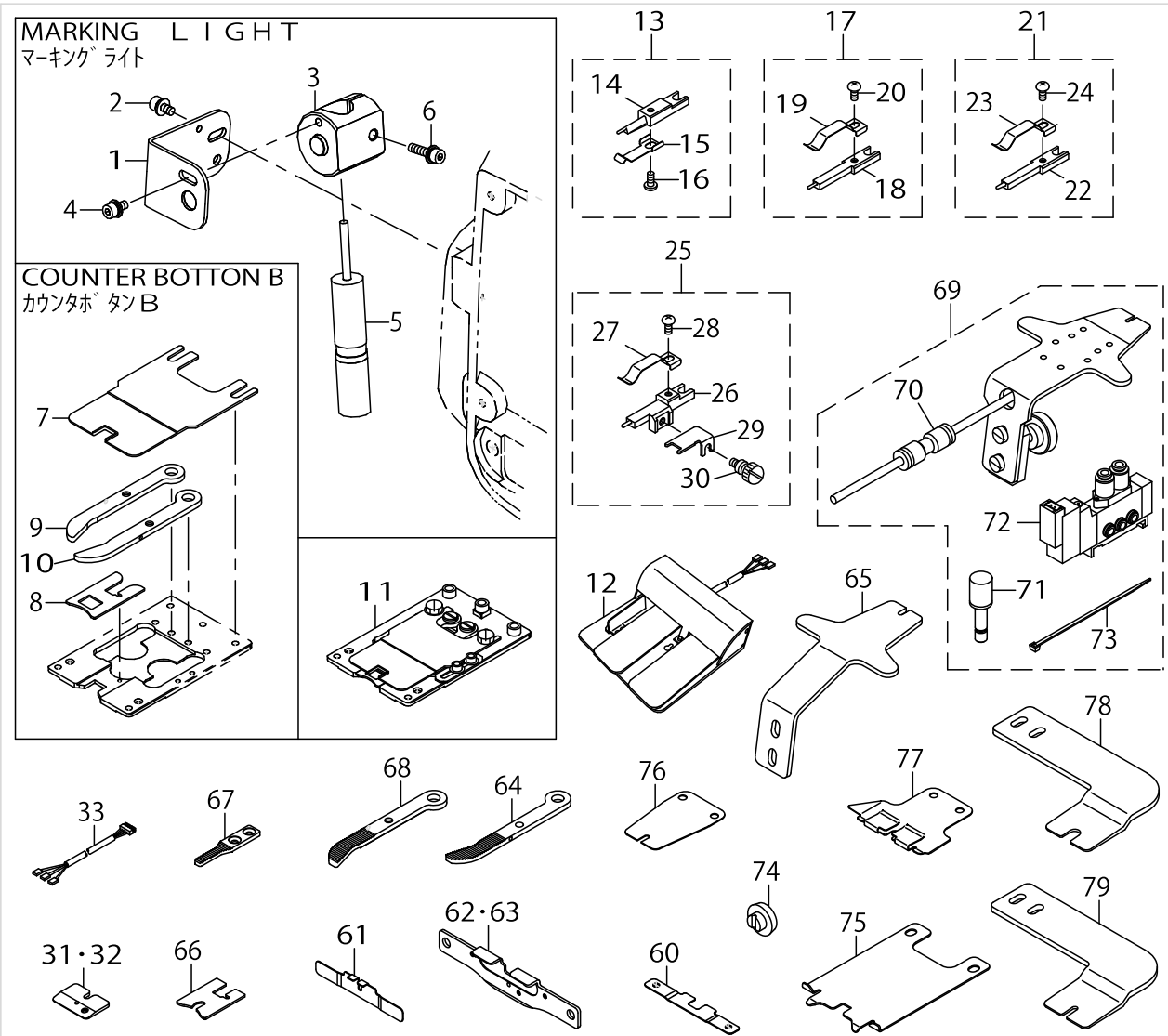


Button carrier (for 4-holed) ボタンキャリア (4つ穴用)						Button carrier (for 2-holed) ボタンキャリア (2つ穴用)								
Mark 刻印	Ref. No.	Size 寸法	Mark 刻印	Ref. No.	Size 寸法	Mark 刻印	Ref. No.	Size 寸法	Mark 刻印	Ref. No.	Size 寸法	Mark 刻印	Ref. No.	Size 寸法
A	34	a 2.0 b 1.0	D	37	a 2.8 b 1.2	K	44	a 4.0 b 1.4	M	47	a 2.0 b 1.0	U	54	a 4.0 b 1.4
B	35	a 2.4 b 1.2	E	38	a 2.8 b 1.4	K1	45	a 4.0 b 1.8	N	48	a 2.4 b 1.2	V	55	a 4.2 b 1.4
C	36	a 2.6 b 1.2	F	39	a 3.0 b 1.2	L	46	a 5.0 b 1.8	P	49	a 2.6 b 1.2	W	56	a 4.4 b 1.4
			F1	40	a 3.0 b 1.4				Q	50	a 2.8 b 1.2	X	57	a 4.6 b 1.4
			G	41	a 3.2 b 1.4				R	51	a 3.0 b 1.2	Y	58	a 4.8 b 1.4
			H	42	a 3.4 b 1.4				S	52	a 3.2 b 1.4	Z	59	a 5.0 b 1.4
			J	43	a 3.6 b 1.4				T	53	a 3.4 b 1.4			

OPTION COMPONENTS (2)

No.	Supply Code	Parts No.	Replacement	Parts name	Remarks	Choice	Step	Level	Cons	Qty	Rep. QTY
1		40021018		LIGHT_STAY_OPTION						1	
2		SL6040892TN		BOLT						2	
3		40020995		LIGHT_BUSH						1	
4		SL6040892TN		BOLT						1	
5		40019209		LIGHT MARKING PROJECTOR						1	
6		SL6042092TN		SCREW M4 L=20						1	
7		40020809		COUNTER_BUTTON_FEED_PLATE						1	
8		40020815		COUNTER_BUTTON_PLATE_B						1	
9		40020816		COUNTER_BUTTON_CLAMP_L						1	
10		40020817		COUNTER_BUTTON_CLAMP_R						1	
11		40020807		ASSY_COUNTER_BUTTON_PLATE						1	
12		GPK470010AB		3-PEDAL ASM.						1	
13		17974056		BUTTON SET PIN A ASM.						1	
14	R	17974007	17974056	BUTTON SET PIN A				*		1	1.00
15		17974106		SET SPRING A				*		1	
16		SM4030401SC		SCREW M3X0.5 L=4				*		1	
17		17974254		BUTTON SET PIN B ASM.						1	
18		17974205		BUTTON SET PIN B				*		1	
19		17974304		SET SPRING B				*		1	
20		SM4030401SC		SCREW M3X0.5 L=4				*		1	
21		17974452		BUTTON SET PIN C ASM.						1	
22	R	17974403	17974452	BUTTON SET PIN C				*		1	1.00
23		17974304		SET SPRING B				*		1	
24		SM4030401SC		SCREW M3X0.5 L=4				*		1	
25		40023428		ASSY_BUTTON_SET_PIN_D						1	
26		17974502		BUTTON SET PIN D				*		1	
27		17974304		SET SPRING B				*		1	
28		SM4030401SC		SCREW M3X0.5 L=4				*		1	
29		40021020		BUTTON_RECEIVER				*		1	
30		B3106019000		SCREW				*		1	
31		40024296		ASSY_UNDER_PLATE_SPACER_B						1	
32		40024298		ASSY_UNDER_PLATE_SPACER_C						1	
33		40029422		PEDAL_RELAY_CORD_ASSY						1	
34		17856600		BUTTON_CARRIER_A						1	
35		17856709		BUTTON_CARRIER_B						1	
36		17856808		BUTTON_CARRIER_C						1	
37		17856907		BUTTON_CARRIER_D						1	
38		17857004		BUTTON_CARRIER_E						1	
39		17857103		BUTTON_CARRIER_F						1	
40		17857202		BUTTON_CARRIER_F1						1	
41		17857301		BUTTON_CARRIER_G						1	
42		17857400		BUTTON_CARRIER_H	STANDARD TYPE					1	
43		17857509		BUTTON_CARRIER_J						1	
44		17857608		BOTTOM_CARRIER_K						1	
45		17857707		BOTTOM_CARRIER_K1						1	
46		17857806		BOTTOM_CARRIER_L						1	

OPTION COMPONENTS (2)



Button carrier (for 4-holed) ボタンキャリア (4つ穴用)						Button carrier (for 2-holed) ボタンキャリア (2つ穴用)								
Mark 刻印	Ref. No.	Size 寸法	Mark 刻印	Ref. No.	Size 寸法	Mark 刻印	Ref. No.	Size 寸法	Mark 刻印	Ref. No.	Size 寸法	Mark 刻印	Ref. No.	Size 寸法
A	34	a 2.0 b 1.0	D	37	a 2.8 b 1.2	K	44	a 4.0 b 1.4	M	47	a 2.0 b 1.0	U	54	a 4.0 b 1.4
B	35	a 2.4 b 1.2	E	38	a 2.8 b 1.4	K1	45	a 4.0 b 1.8	N	48	a 2.4 b 1.2	V	55	a 4.2 b 1.4
C	36	a 2.6 b 1.2	F	39	a 3.0 b 1.2	L	46	a 5.0 b 1.8	P	49	a 2.6 b 1.2	W	56	a 4.4 b 1.4
			F1	40	a 3.0 b 1.4				Q	50	a 2.8 b 1.2	X	57	a 4.6 b 1.4
			G	41	a 3.2 b 1.4				R	51	a 3.0 b 1.2	Y	58	a 4.8 b 1.4
			H	42	a 3.4 b 1.4				S	52	a 3.2 b 1.4	Z	59	a 5.0 b 1.4
			J	43	a 3.6 b 1.4				T	53	a 3.4 b 1.4			

OPTION COMPONENTS (2)

No.	Supply Code	Parts No.	Replacement	Parts name	Remarks	Choice	Step	Level	Cons	Qty	Rep. QTY
47		17858002		BOTTON CARRIER M						1	
48		17858101		BOTTON CARRIER N						1	
49		17858200		BOTTON CARRIER P						1	
50		17858309		BOTTON CARRIER Q						1	
51		17858408		BOTTON CARRIER R						1	
52		17858507		BUTTON CARRIER S						1	
53		17858606		BUTTON CARRIER T	STANDARD TYPE					1	
54		17858705		BOTTON CARRIER U						1	
55		17858804		BUTTON CARRIER V						1	
56		17858903		BOTTON CARRIER W						1	
57		17859000		BOTTON CARRIER X						1	
58		17859109		BOTTON CARRIER Y						1	
59		17859208		BOTTON CARRIER Z						1	
60		40020763		UNDER_PLATE_GUIDE						1	
61		40020774		UNDER_PLATE_GUIDE_D						1	
62		40020771		UNDER_PLATE_T						1	
63		40020766		UNDER_PLATE_SS						1	
64		40020822		STAY_BUTTON_CLAMP_R						1	
65		40021019		TANG_D						1	
66		40020818		COUNTER_BUTTON_PLATE_C						1	
67		40020813		COUNTER_BUTTON_SLIDE_B						1	
68		40020821		STAY_BUTTON_CLAMP_L						1	
69		40020779		KNIT_TANG_OPTION						1	
70	D	40020778		KNIT_TANG_ASSY					*	1	
71		PX500014000		PLUG					*	2	
72		PV150209000		5 PORT SOLENOID VALVE					*	1	
73		EA9500B0100		CABLE BAND					*	3	
74		17974700		SET PIN GAUGE						1	
75		40021014		PICK_SEWING_ATC_B						1	
76		40021016		TANG_SPACER						1	
77		40021017		PICK_SEWING_ATC_A						1	
78		40020832		CLAMP_A						1	
79		40020833		CLAMP_B						1	

LIST FOR INFORMATION OF CHANGE

As to the place changed, refer to the corresponding Rev.No.
 When previous parts(Obsoleted part)and new parts(Added parts)are
 not interchangeable with each other:
 In this case,even obsoleted parts(D.)can be ordered with the
 obsoleted part number,so select the parts with changed dates and
 place your orders.

変更箇所は、該当Rev.No.版をご参照ください。
 部品の互換性がない変更の場合は、削除された品番でも、ご注文できます。

40020577
 No.1392-10・Rev.No.

*A:Added parts追加部品/D:Obsoleted parts削除部品/E:Erratum訂正

* Rev. No.	Page 頁	Ref. No.	Parts No. 品番	* Rev. No.	Page 頁	Ref. No.	Parts No. 品番		
D	09	8	47	SM-1040601-SC					
				A	10	8	47	SM-1040800-SP	
D	09	8	75	SS-4110615-SP	A	10	8	75	SS-4110715-SP
				A	10	8	76	WP-0450846-SP	
D	09	18	63	226-14507	A	10	18	63	226-14002
				A	10	18	64	226-14101	
				A	10	18	65	226-14200	
				A	10	18	66	226-14309	
				A	10	18	67	226-14408	
				A	10	18	68	226-14507	

HOW TO MAKE USE OF THIS PARTS LIST

1.Explanation of codes

1)"*"mark.....means this part is changed from the previous parts book.

As to the details of the change, refer to the "List for information of change".

2)"#01".....refer to "Note" explanation at bottom of page.

2.Codes on the "Qty" column

- Each numeral indicates the number of parts required.
- "0.1" and "2.5" indicate the length (in meters) of the respective parts.

3.Parentheses mean that the corresponding part is a subpart that constructs an assembly part.

4.Dotted lines on the Figures indicate assembly parts.

5.As to the parts with marks of "☆"(consumable parts) and "◎"(optional parts)on the respective parts, it is recommended to prepare spares.

1 ."注記"欄の記号説明

1) "*"印.....前回のパーツブックに比較して今回変更された部品を意味します。

変更内容は、"変更情報リスト"を参照してください。

2) "#01".....ページ下の"注記"の説明を参照してください。

2.数量欄の数字は、個数を表し、0.1、2.5等の数値は、長さ（単位メートル）を表します。

3.数量欄の（ ）は、組部品を構成している子部品であることを意味します。

4.イラストページの-----枠は、組構成であることを意味します。

5.リストページの"☆"（消耗部品）、"◎"（オプション部品）の印がついた部品は、予備を準備しておくことをお奨めします。

NUMERICAL INDEX OF PARTS

PART NO	PAGE	REF NO.	PART NO	PAGE	REF NO.	PART NO	PAGE	REF NO.
10109700	12	33	17856808	74	36	18035808	8	44
10129104	22	26	17856907	74	37	18035907	8	45
10308401	12	34	17857004	74	38	18036004	8	46
10523504	34	44	17857103	74	39	18036103	10	47
10523504	38	23	17857202	74	40	18036202	10	48
10523504	46	7	17857301	74	41	18036301	10	49
11072204	2	24	17857400	50	33	18036400	10	50
11155108	72	6	17857400	74	42	18036509	10	51
11155207	72	7	17857509	74	43	18036608	10	52
11158300	72	15	17857608	74	44	18036707	10	53
11158409	72	16	17857707	74	45	18036806	10	54
11158516	72	19	17857806	74	46	18036905	10	55
11158607	72	17	17858002	76	47	18037002	10	56
11159001	72	22	17858101	76	48	18037101	10	57
11159506	72	36	17858200	76	49	18037200	10	58
11272408	50	16	17858309	76	50	18037309	10	59
11851102	68	22	17858408	76	51	18037408	10	60
12288403	68	13	17858507	76	52	18037507	10	61
13110606	34	33	17858606	50	38	18037606	10	62
13138201	22	8	17858606	76	53	18037705	10	63
13301700	24	86	17858705	76	54	18037804	10	64
13525506	4	91~93	17858804	76	55	18037903	24	88
13715701	12	36	17858903	76	56	18038000	10	66
13715701	16	34	17859000	76	57	18038109	24	89
13817754	72	21	17859109	76	58	18038208	10	68
14101208	64	8	17859208	76	59	18038307	10	69
14104301	38	1	17971805	72	40	18038406	10	70
14118152	72	12	17974007	74	14	18038505	10	71
14118251	72	14	17974056	74	13	18038604	8	25
14191951	72	10	17974106	74	15	18038703	10	65
14506109	28	18	17974205	74	18	18038802	10	67
14506109	34	22	17974254	74	17	18038901	24	91
16138109	34	18	17974304	74	27	18039008	24	92
16292500	68	1	17974403	74	22	22614002	36	63~68
16573909	34	45	17974452	74	21	22614101	36	63~68
16992604	50	17	17974502	74	26	22614200	36	63~68
17007402	64	5	17974700	76	74	22614309	36	63~68
17007402	72	18	18035006	8	36	22614408	36	63~68
17008004	68	16	18035105	8	37	22614507	36	63~68
17823550	44	1	18035204	8	38	22932800	4	89
17823709	44	16	18035303	8	39	22933006	68	3
17845009	52	29	18035402	8	40	22933105	68	4
17848458	64	23	18035501	8	41	22933204	68	5
17856600	74	34	18035600	8	42	22958458	54	77
17856709	74	35	18035709	8	43	23544109	14	78~81

NUMERICAL INDEX OF PARTS

PART NO	PAGE	REF NO.	PART NO	PAGE	REF NO.	PART NO	PAGE	REF NO.
23544208	14	78~81	40000139	58	13	40005391	62	54~56
23544307	14	78~81	40000140	58	14	40005392	52	32
23544802	14	78~81	40000141	58	16	40005392	62	54~56
23604200	12	39	40000142	58	17	40005393	52	35
25002809	22	27	40000143	58	18	40005393	62	49
25002908	22	28	40000144	58	19	40005394	52	36
26003103	16	37	40000146	58	21	40005394	62	51
26003756	16	36	40000148	58	22	40005395	52	37
26021402	2	32	40001985	32	1	40005395	62	43
26024604	16	40	40001986	44	15	40005396	52	38
26034702	68	7~11	40001987	12	5	40005396	62	44
29180403	68	29	40001988	12	7	40005401	52	21
32002354	2	46	40001989	16	2	40005401	62	41
32002354	60	19	40001990	12	25	40005404	52	26
32007205	32	30	40001991	14	83	40005980	54	39
32007205	36	59	40001992	32	5	40005980	62	46
32007403	34	41	40001993	16	3	40005981	54	40
32007403	38	33	40001994	44	5	40005982	54	41
32009805	38	22	40001995	16	4	40006323	4	91~93
32046708	34	34	40001996	50	1	40006515	12	43
40000012	52	12	40001997	38	32	40006516	12	44
40000012	62	42	40001998	38	3	40009375	24	61
40000029	52	14	40002001	20	11	40009941	58	1
40000046	52	16·17	40002002	16	5	40009941	60	29·69
40000046	62	53	40002003	16	6~8	40012038	54	70
40000056	52	16·17	40002006	12	9	40012038	62	50
40000056	62	52	40002007	18	72	40012197	2	44
40000079	10	77	40002010	34	3	40012197	60	24
40000079	60	25	40003451	52	1	40012832	60	38~40
40000080	10	78	40003452	52	2	40012833	60	38~40
40000080	60	26	40003453	52	3	40012834	60	38~40
40000082	10	79	40003458	54	67	40012836	10	72
40000082	60	27	40003470	62	62	40012836	60	23
40000084	10	80	40004216	12	2	40013640	6	91~93
40000084	60	28	40004217	12	1	40013870	54	63·64
40000085	62	47	40004218	12	40	40015603	54	63·64
40000085	64	45	40004299	48	51	40018377	2	1
40000131	58	2	40004378	12	41	40018377	60	11
40000132	58	3	40004380	12	42	40019187	8	1
40000133	58	4	40005385	54	72	40019187	62	64
40000134	58	6	40005388	52	33	40019187	68	18
40000135	58	7	40005388	62	54~56	40019188	12	10
40000136	58	8	40005390	56	87	40019188	60	12
40000137	58	9	40005390	62	57~60	40019189	36	53
40000138	58	10	40005391	52	31	40019189	60	13

NUMERICAL INDEX OF PARTS

PART NO	PAGE	REF NO.	PART NO	PAGE	REF NO.	PART NO	PAGE	REF NO.
40019190	32	7	40019209	74	5	40020649	12	22
40019190	60	14	40019210	10	73	40020650	12	23
40019191	40	49	40019210	62	66	40020651	12	24
40019191	60	15	40019236	10	74	40020653	12	8
40019192	38	5	40019236	62	65	40020654	12	26
40019192	60	16	40020584	4	90	40020655	12	27
40019193	22	21	40020596	12	12	40020656	12	6
40019193	60	17	40020597	12	13	40020659	12	28
40019194	50	9	40020598	12	14	40020661	12	29
40019194	60	18	40020599	12	15	40020662	12	32
40019195	8	2	40020600	16	9	40020663	12	30
40019195	48	60	40020604	12	16	40020664	12	31
40019195	60	30	40020605	16	10	40020665	14	75
40019196	8	3	40020606	16	11	40020670	20	3
40019196	48	61	40020607	16	12	40020672	20	14
40019196	60	31	40020608	16	13	40020675	20	2
40019197	8	4	40020609	16	14	40020676	20	13
40019197	34	11	40020610	12	17	40020677	20	21
40019197	60	32	40020611	16	32	40020678	20	12
40019198	8	5	40020612	12	18	40020680	20	8
40019198	34	12	40020613	12	19	40020681	20	22
40019198	60	33	40020614	16	35	40020682	20	24~26
40019199	8	6	40020616	16	15	40020683	20	24~26
40019199	44	4	40020617	16	16	40020684	20	24~26
40019199	60	34	40020620	16	17	40020685	20	6
40019200	46	45	40020621	12	35	40020686	20	20
40019200	60	35	40020622	16	18	40020687	20	9
40019201	4	59	40020623	16	19	40020688	20	27
40019201	60	36	40020625	16	20	40020689	20	10
40019202	12	11	40020626	16	21	40020690	20	23
40019202	60	1	40020627	16	22	40020693	24	53
40019203	36	50	40020628	16	23	40020694	22	30
40019203	60	2	40020629	16	24	40020695	22	38
40019204	32	11	40020630	16	25	40020696	22	24
40019204	60	3	40020631	16	26	40020699	24	60
40019205	38	46	40020633	16	28	40020700	22	9
40019205	60	4	40020634	16	29	40020700	60	8
40019206	38	7	40020638	16	33	40020701	22	45
40019206	60	5	40020639	16	30	40020702	24	50
40019207	22	20	40020640	16	31	40020703	24	52
40019207	60	6	40020641	16	6~8	40020705	24	56
40019208	50	4	40020642	16	6~8	40020706	24	64
40019208	60	7	40020644	12	38	40020707	24	65
40019209	2	9	40020645	12	20	40020708	24	67
40019209	60	10	40020647	12	21	40020709	24	71

NUMERICAL INDEX OF PARTS

PART NO	PAGE	REF NO.	PART NO	PAGE	REF NO.	PART NO	PAGE	REF NO.
40020710	22	35	40020794	36	62	40020881	64	37
40020711	22	32	40020795	34	1	40020882	64	33
40020730	22	7	40020796	34	37	40020883	38	10
40020733	22	16	40020807	74	11	40020884	38	13
40020734	22	4	40020808	28	17	40020885	38	15
40020735	22	23	40020809	74	7	40020886	38	17
40020736	22	5	40020810	30	50	40020887	38	19
40020738	22	17	40020811	28	42	40020888	38	21
40020740	22	6	40020812	30	56	40020889	38	24
40020741	22	1	40020813	76	67	40020890	4	61
40020744	22	18	40020814	30	54	40020890	38	26
40020746	42	8	40020815	74	8	40020891	38	28
40020747	42	11	40020816	74	9	40020900	38	35
40020748	42	13	40020817	74	10	40020901	38	39
40020749	42	2	40020818	76	66	40020902	38	40
40020750	42	5	40020821	76	68	40020903	38	42
40020751	42	18	40020822	76	64	40020904	38	44
40020761	44	2	40020823	28	15	40020905	40	50
40020762	44	19	40020826	30	57	40020911	46	12
40020763	76	60	40020828	28	4	40020912	46	19
40020765	44	18	40020829	28	2	40020913	46	15
40020766	76	62-63	40020830	28	11	40020914	46	23
40020767	44	20	40020830	44	6	40020915	46	28
40020768	44	14	40020831	28	5	40020916	46	26
40020771	76	62-63	40020832	76	78	40020917	46	33
40020773	64	40	40020833	76	79	40020918	46	34
40020774	76	61	40020834	28	44	40020919	46	39
40020778	76	70	40020835	30	47	40020920	46	41
40020779	76	69	40020842	28	34	40020921	46	31
40020780	32	14	40020843	28	33	40020922	48	72
40020780	36	47	40020844	28	29	40020923	48	73
40020781	36	46	40020846	28	24	40020924	46	36
40020782	34	31	40020847	28	37	40020925	46	43
40020783	32	9	40020848	28	39	40020926	48	47
40020783	36	55	40020865	32	17	40020927	46	1
40020784	36	57	40020866	32	19	40020928	48	50
40020785	28	6	40020868	32	21	40020929	46	2
40020785	34	24	40020869	32	22	40020930	64	42
40020786	34	7	40020872	32	24	40020931	46	24
40020787	34	25	40020875	32	26	40020932	64	41
40020789	34	27	40020876	32	28	40020933	46	30
40020791	34	21	40020877	64	31	40020934	48	63
40020792	34	5	40020878	64	34	40020935	48	78
40020793	34	16	40020879	64	32	40020936	48	76
40020794	32	3	40020880	64	36	40020937	48	53

NUMERICAL INDEX OF PARTS

PART NO	PAGE	REF NO.	PART NO	PAGE	REF NO.	PART NO	PAGE	REF NO.
40020938	46	8	40021015	64	28	40085787	70	5
40020939	48	55	40021016	76	76	40085788	70	6
40020943	48	57	40021017	76	77	40085789	70	7
40020945	46	9	40021018	74	1	40085790	70	8
40020946	48	81	40021019	76	65	40085791	70	9
40020947	48	82	40021020	74	29	40085792	70	10
40020948	48	83	40021021	24	77	40085793	70	11
40020949	48	84	40021022	24	85	40085794	70	12
40020958	50	6	40021023	24	84	40085795	70	13
40020959	50	14	40021048	54	57	40085796	70	16
40020963	50	28	40021048	62	45	40096325	70	14
40020966	50	18	40021152	10	81	40096326	70	17
40020970	50	23	40021152	60	20	40096327	70	19
40020973	50	21	40021153	10	82	40096354	70	1
40020974	50	29	40021153	60	22	40107892	4	71
40020975	50	19	40021154	10	83	40116677	6	96
40020976	50	11	40021154	60	21	40131921	34	40
40020977	50	32	40021176	64	10	40131924	34	42
40020978	50	20	40021177	62	63	40131925	34	39
40020979	50	34	40021177	64	9	A1230500000A	12	45
40020980	50	40	40021445	46	14	A3906010000	58	5
40020988	4	50	40021830	42	21	A39500100A0	58	11
40020990	72	1	40021831	22	37	B1135850000	22	29
40020993	2	3	40021900	22	40	B1144210000	14	73
40020994	2	5	40022474	24	72	B1212210D00	12	46
40020995	2	7	40022474	60	37	B1239372000	16	38
40020995	74	3	40022475	10	84	B1414232000	14	47~49
40020996	2	11	40022475	62	67	B141423200A	14	47~49
40020997	2	15	40023271	62	48	B141423200B	14	47~49
40020998	2	17	40023428	74	25	B144418000B	28	23
40020999	2	35	40024087	24	74	B1513210000	30	52
40021000	2	38	40024295	64	43	B1623180000	12	37
40021001	2	41	40024296	74	31·32	B1632180000	28	9
40021002	4	51	40024298	74	31·32	B1632180000	44	7
40021002	8	7	40028015	18	73	B1632180000	48	69
40021003	4	53	40029422	62	68	B1906581000	28	7
40021004	4	55	40029422	74	33	B2052781000	46	10
40021005	4	48	40033635	64	25	B24063730A0	20	15
40021006	64	27	40035024	58	23	B2561372000	28	19
40021008	64	6	40048664	66	48	B3035280000	28	40
40021009	64	1	40059301	62	29·69	B3106019000	74	30
40021011	66	47	40069006	18	74	B3120125000	2	25
40021012	64	39	40085784	70	2	B3121352000	2	28
40021013	68	19	40085785	70	3	B3126012000	2	26
40021014	76	75	40085786	70	4	B3132552000	2	27

NUMERICAL INDEX OF PARTS

PART NO	PAGE	REF NO.	PART NO	PAGE	REF NO.	PART NO	PAGE	REF NO.
B8101210AAB	72	11	EA9500B0100	50	36	HX005110000	54	61
B8105210AAA	72	13	EA9500B0100	54	43	J1043000A0A	68	7~11
B8150210000	72	34	EA9500B0100	64	20	M2010110000	54	48
B8153771000	72	23	EA9500B0100	76	73	M300451100A	54	73
B8171223C00	64	21	EA9500B0200	4	58·80~ 82·94	M3801476000	52	6
B9101490000	68	6	EA9500B0200	50	41	M4001461000	54	44
B9113012000	68	7~11	G2301309000	2	22	M4002461000	54	45
B9143372000	68	7~11	G23013090A0	2	21	M4004461000	54	46
BME01100000	56	92·93	G23013090A0	8	11	M4005461000	54	47
BME03200000	56	92·93	G2302309000	2	23	M4006461000	54	42
BT0180101EB	8	8	G5102151000	68	7~11	M4007351000	54	49
BT0180101EB	48	66	G6014880000	28	26	M4008351000A	54	50
BT0400251EB	8	9	G6014880000	44	17	M4009351000A	54	56
BT0400251EB	24	87	G6014880000	46	4	M4011351000	54	55
BT0800501EB	8	10	G91011160A0	68	12	M4012351000	54	51
BT0800501EB	68	26	GAF01007000	14	74	M4206461000	52	11
CM200100001	54	66	GAK01003B00	4	65	M90175800A0	56	86
CM300100003	56	97	GAK33032000	34	15	M90175800A0	62	57~60
CM300100401	56	94	GBR01521000	46	6	M90195800A0	10	75
CM300200001	24	69	GEB03626000	46	21	M90245800A0	56	88
CM300200001	50	39	GPF060600A0	72	26	M90245800A0	62	57~60
CM300400601	56	95·96	GPF06080000	72	25	M90345800A0	56	90
CM300400701	56	95·96	GPK470010AB	74	12	M90345800A0	62	61
CM301300001	4	67	GSK01008000	24	59	M90355800A0	56	89
CM600100101	4	88	HA004250000	56	91	M90355800A0	62	57~60
CM600100201	68	2	HF00130315S	54	74~76	MA011532000	54	78
CS0400671TP	46	37	HF0013050P0	54	74~76	MAL01129000	68	20
CS0791016SH	16	41	HF003000200	54	74~76	MAO11108N00	72	2
CS0800971TP	18	70	HM000480010	52	22	MAO11532000	64	19
CS0800971TP	34	29	HN002460000	54	68	MAT80114T00	30	59
CS0800971TP	50	24	HX00150000A	4	79	MAT80230T00	64	11
CS1201171TP	34	35	HX00150000D	4	64	MAT80231T00	64	12
D3067180S00	48	91	HX00150000F	4	87	MAT80232T00	64	13
D5124206K0K	2	95	HX00150000K	4	74	MAV04611000	2	14
D5124206K0K	6	95	HX00188000D	54	59	MSM3AAN1400	12	3
D8113555B00	72	24	HX002920000	4	58·80~ 82·94	MSM3AAN1400	64	46
D8204555D00	72	9	HX002920000	6	58·80~ 82·94	MTSHJ100003	54	80
E2076721000	64	29	HX003140000	4	72·78	NM3040520SC	52	24
E3018721000	48	85	HX00314000A	4	72·78	NM6030001SC	48	86
E3080855000	4	84	HX00326000K	72	46	NM6030001SC	64	35
E9567319000	4	66	HX003390000	52	19	NM6040001SD	24	68
E9567319000	54	65	HX004070000	52	28	NM6040001SD	46	11
E9607603000	54	62	HX00410000A	52	34	NM6040002SN	22	2
EA9500B0100	4	58·80~ 82·94				NM6040003SC	24	57
						NM6040003SC	42	10

NUMERICAL INDEX OF PARTS

PART NO	PAGE	REF NO.	PART NO	PAGE	REF NO.	PART NO	PAGE	REF NO.
NM6050001SE	70	24	PJ046039003	48	80	RE0400000KP	46	32
NM6050001SP	50	26	PJ046052503	8	23	RE0500000K0	14	51
NM6050003SC	20	28	PJ046052503	22	49	SB110002600	12	4
NM6060001SC	4	69	PJ046052503	24	49	SB120000200	14	52
NM6060001SC	72	5	PJ210304010	8	24	SB120000900	14	53
NM6080001SC	52	10	PJ210304010	28	27	SB120000900	16	44
NM6080001SE	68	15	PJ301040502	8	33	SB120001100	16	45
NM6080002SC	56	85	PJ301040502	20	5	SB125000400	16	1
NM6080002SC	72	43	PJ301040502	34	10	SB408000100	16	27
NM6080721SE	72	33	PJ301040502	42	20	SB408000100	32	15
NM6120003SE	72	35	PJ303040005	8	26	SB408000100	34	48
NM6160511SE	2	31	PJ304020301	8	27	SB408000100	36	48
NM7040032SC	24	58	PJ304020301	48	70	SB408000100	38	36
NM7040032SC	42	9	PJ304040504	2	30	SB408000100	50	8
NS6110310SP	4	76	PJ304040504	8	28	SB706000600	46	3
PA0600504A0	2	29	PJ304040504	20	1	SD0400606TP	48	74
PA0600504A0	8	12	PJ304040504	24	82	SD0600207TP	20	19
PA0600504A0	22	43	PJ304040504	28	1	SD0600208TP	2	12
PA0801501A0	8	13	PJ304040504	42	19	SD0600208TP	48	87
PA0801501A0	48	59	PJ304040504	44	21	SD0600226TP	24	51
PA1002010A0	8	14	PJ304085101	8	29	SD0600226TP	28	49
PA1002010A0	28	25	PJ304085201	68	24	SD0600226TP	30	49
PA1002010A0	48	68	PJ305020001	8	30	SD0600286TP	28	48
PA1002011A0	8	15	PJ305020001	48	65	SD0600286TP	30	48
PA1002011A0	24	48	PJ305080001	8	31	SD0600326TP	22	19
PA1005002A0	24	83	PJ305080001	68	25	SD0600326TP	28	21
PA1007502A0	8	16	PJ305080003	10	86	SD0600326TP	46	35
PA1007502A0	42	12	PJ308040002	8	32	SD0600327TP	38	20
PA1502502A0	8	17	PJ309520001	68	28	SD0600328TP	48	77
PA1502502A0	20	7	PS0200062KH	22	34	SD0640246SP	18	46
PA1602006B0	8	18	PS0200062KH	48	88	SD0700586TP	34	32
PA1602006B0	28	8	PS0250052KP	28	14	SD0790706TP	38	18
PA1603014A0	8	19	PS0400082KP	24	55	SD0800327TP	50	27
PA1603014A0	44	3	PS0400142KH	14	50	SD0800329TP	28	22
PA2001506A0	8	20	PV150209000	24	90	SD0800606TP	46	13
PA2001506A0	34	9	PV150209000	76	72	SD1001526TP	34	43
PA900070000	32	18	PX500014000	8	34	SD1001526TP	50	3
PB000010000	68	17	PX500014000	76	71	SK3311600SC	72	8
PC012406000	8	21	PX500020000	28	28	SK3412000SC	64	26
PC012406000	26	93	PX950001000	8	35	SK3413201SE	58	24
PC022403E00	8	22	PX950001000	68	23-27	SK3452001SE	68	21
PC022403E00	42	23	RC0100001KP	38	45	SK3512001SE	54	79
PH0200054C0	30	55	RC1200001KP	16	42	SK3514000SC	64	18
PH0400284S0	64	22	RC1850001KP	16	43	SL4030691SC	58	12
PJ046039003	10	85	RE0300000KP	30	60	SL4030881SC	58	20

NUMERICAL INDEX OF PARTS

PART NO	PAGE	REF NO.	PART NO	PAGE	REF NO.	PART NO	PAGE	REF NO.
SL4033091SC	52	25	SM4030455SN	24	81	SM6032002TP	28	38
SL4040881SC	52	18	SM4030455SN	42	22	SM6032002TP	48	71
SL4040891SC	2	57	SM4030455SN	48	90	SM6040450TP	20	34
SL4040891SC	4	57	SM4030455SP	22	33	SM6040600SP	34	38
SL4040891SC	52	60	SM4030501UZ	24	73	SM6040600SP	46	29
SL4040891SC	54	60	SM4030801SF	54	52	SM6040602SP	32	29
SL4041081SC	54	69	SM4030855SN	4	60	SM6040602TN	28	41
SL4041091SC	4	85	SM4030855SN	14	58	SM6040602TP	2	49
SL4041091SC	10	76	SM4030855SN	22	14	SM6040602TP	4	49
SL4041091SC	52	71	SM4030855SN	32	8	SM6040602TP	14	59
SL4041091SC	54	71	SM4030855SN	36	54	SM6040602TP	18	49
SL4041681SF	54	58	SM4030855SN	38	37	SM6040602TP	20	31
SL4043591SC	52	23	SM4030855SN	46	46	SM6040602TP	22	11
SL4051291SC	4	73	SM4030855SN	50	10	SM6040602TP	50	31
SL6030692TN	38	41	SM4040455SP	22	42	SM6040750TP	18	48
SL6031092TN	46	44	SM4040455SP	42	6	SM6040802TP	24	70
SL6032542TN	48	64	SM4040555SP	20	16	SM6040860TP	20	33
SL6040892TN	2	8	SM4040555SP	22	63	SM6040860TP	44	13
SL6040892TN	32	25	SM4040555SP	24	63	SM6041002TP	14	60
SL6040892TN	36	56	SM4040655SP	22	76	SM6041002TP	22	13
SL6040892TN	38	27	SM4040655SP	24	76	SM6041002TP	32	20
SL6040892TN	50	12	SM4040655SP	42	1	SM6041002TP	34	58
SL6040892TN	74	4	SM4040655SP	64	38	SM6041002TP	36	58
SL6041092TN	14	76	SM4040855SP	2	62	SM6041002TP	48	58
SL6041092TN	40	51	SM4040855SP	4	62	SM6041012TP	28	3
SL6041092TN	46	20	SM4040855SP	20	17	SM6041202TP	34	17
SL6042092TN	2	10	SM4040855SP	38	29	SM6041202TP	38	47
SL6042092TN	74	6	SM4040855SP	42	14	SM6041202TP	40	47
SL6051292TN	32	2	SM4041055SP	24	75	SM6041202TP	44	9
SL6051492TN	4	54	SM4041055SP	42	16	SM6041402TP	14	82
SL6061492TN	2	16	SM4041655SP	32	12	SM6041402TP	50	5
SL6062042TN	38	34	SM4041655SP	36	51	SM6050802TP	18	50
SL6062092TN	50	2	SM4050855SP	2	33	SM6051000SP	48	52
SL6062542TN	14	54	SM4051405SE	70	23	SM6051202TN	2	56
SL9082091SE	72	20	SM5040550TP	22	36	SM6051202TN	4	56
SM0030301SN	64	30	SM6030350SD	28	20	SM6051202TP	14	77
SM0050801SC	4	52	SM6030402TP	14	57	SM6051202TP	18	51
SM1020450TH	20	18	SM6030402TP	28	43	SM6051202TP	34	8
SM1030400SP	28	16	SM6030500SN	32	6	SM6051402TP	14	61
SM1030501SC	50	13	SM6030500SN	48	89	SM6051402TP	34	6
SM1040601SC	14	55	SM6030602TP	46	5	SM6051602TP	14	62
SM1040800SP	18	47	SM6030802TP	24	80	SM6051602TP	18	52
SM1041201SP	14	56	SM6030802TP	46	22	SM6051602TP	28	10
SM1042001UZ	24	66	SM6031202TP	48	48	SM6051602TP	38	43
SM4030401SC	74	28	SM6031402TP	24	79	SM6051602TP	44	11

NUMERICAL INDEX OF PARTS

PART NO	PAGE	REF NO.	PART NO	PAGE	REF NO.	PART NO	PAGE	REF NO.
SM6051802TP	34	26	SM9040800SP	28	51	WP0450846SP	38	48
SM6051802TP	44	10	SM9040800SP	30	51	WP0450846SP	40	48
SM6052002TN	14	63	SM9041050SC	20	30	WP0450846SP	42	17
SM6052002TN	18	53	SM9061203SE	72	27	WP0451016SP	24	62
SM6054502TN	18	54	SM9082023SE	72	30	WP0480856SP	64	17
SM6061202TP	22	15	SM9086523SE	72	37	WP0502616SD	18	66
SM6061202TP	64	24	SM9087523SE	68	14	WP0522016SH	36	61
SM6061602TP	14	71	SS2060210SP	30	58	WP0531000SD	36	60
SM6061602TP	38	25	SS2060210SP	44	12	WP0531000SD	50	37
SM6061802TP	14	64	SS2060210SP	64	44	WP0531001SC	70	22
SM6061802TP	18	55	SS4110715SP	18	75	WP0550836SC	2	34
SM6062002TN	18	56	SS6110610TP	18	63	WP0612056SD	4	68
SM6064002TP	18	57	SS6110610TP	44	8	WP0612056SD	18	67
SM6083002TN	52	7	SS6151220SP	64	14	WP0612066SP	28	32
SM6084002TN	56	81	SS7110710SL	64	16	WP0612516SD	16	39
SM6086002TP	64	2	SS71111410SP	64	15	WP0621046SP	22	22
SM6088002TN	72	44	SS8110410TP	18	68	WP0641601SC	72	3
SM6850350TP	50	35	SS8110422TP	18	65	WP0671016SE	72	28
SM8030312TP	46	38	SV4030601SR	54	54	WP0841601SC	52	83
SM8030350TP	14	66	TA0490601R0	18	69	WP0841601SC	56	83
SM8040310SS	18	58	TA0550604R0	58	15	WP0841601SC	64	3
SM8040412TP	14	67	TA0850604R0	4	75	WP0841601SC	72	45
SM8040412TP	22	10	TA1050504R0	4	86	WP0851846SC	72	41
SM8040412TP	32	4	TA2050406R0	2	63	WP0852086SC	56	82
SM8040412TP	46	54	TA2050406R0	4	63	WP0871602SE	72	38
SM8040412TP	48	54	WP0320500SC	24	78	WP1612616SE	70	15
SM8040612TP	18	59	WP0320500SD	48	49	WS0510002KN	70	21
SM8040802TP	54	53	WP0320501SC	48	92	WS0610002KN	72	4
SM8050512TP	14	70	WP0370316SD	28	31	WS0621210KR	72	29
SM8050512TP	18	71	WP0371016SD	14	72	WS0820002KN	64	4
SM8050512TP	32	16	WP0430800SC	20	29	WS0820002KN	72	42
SM8050512TP	34	49	WP0430800SC	50	30	WS0820002KR	52	84
SM8050512TP	36	49	WP0430801SC	22	3	WS0820002KR	56	84
SM8050512TP	38	38	WP0430801SC	30	61	WS0861410KR	72	39
SM8050512TP	46	40	WP0431005SP	4	77	WZ0640200KP	2	13
SM8050512TP	50	25	WP0431005SP	28	35			
SM8050612TP	64	7	WP0450801SD	28	30			
SM8050812TP	34	28	WP0450826SC	30	53			
SM8060552TP	34	36	WP0450846SP	2	83			
SM8060812TP	14	68	WP0450846SP	4	83			
SM8060812TP	18	61	WP0450846SP	18	76			
SM8060812TP	50	15	WP0450846SP	22	94			
SM8061002TP	18	62	WP0450846SP	26	94			
SM8080812TP	14	69	WP0450846SP	32	13			
SM9040600SP	20	32	WP0450846SP	36	52			