

MODEL : MF-7700(For China)

List No : 1402-05

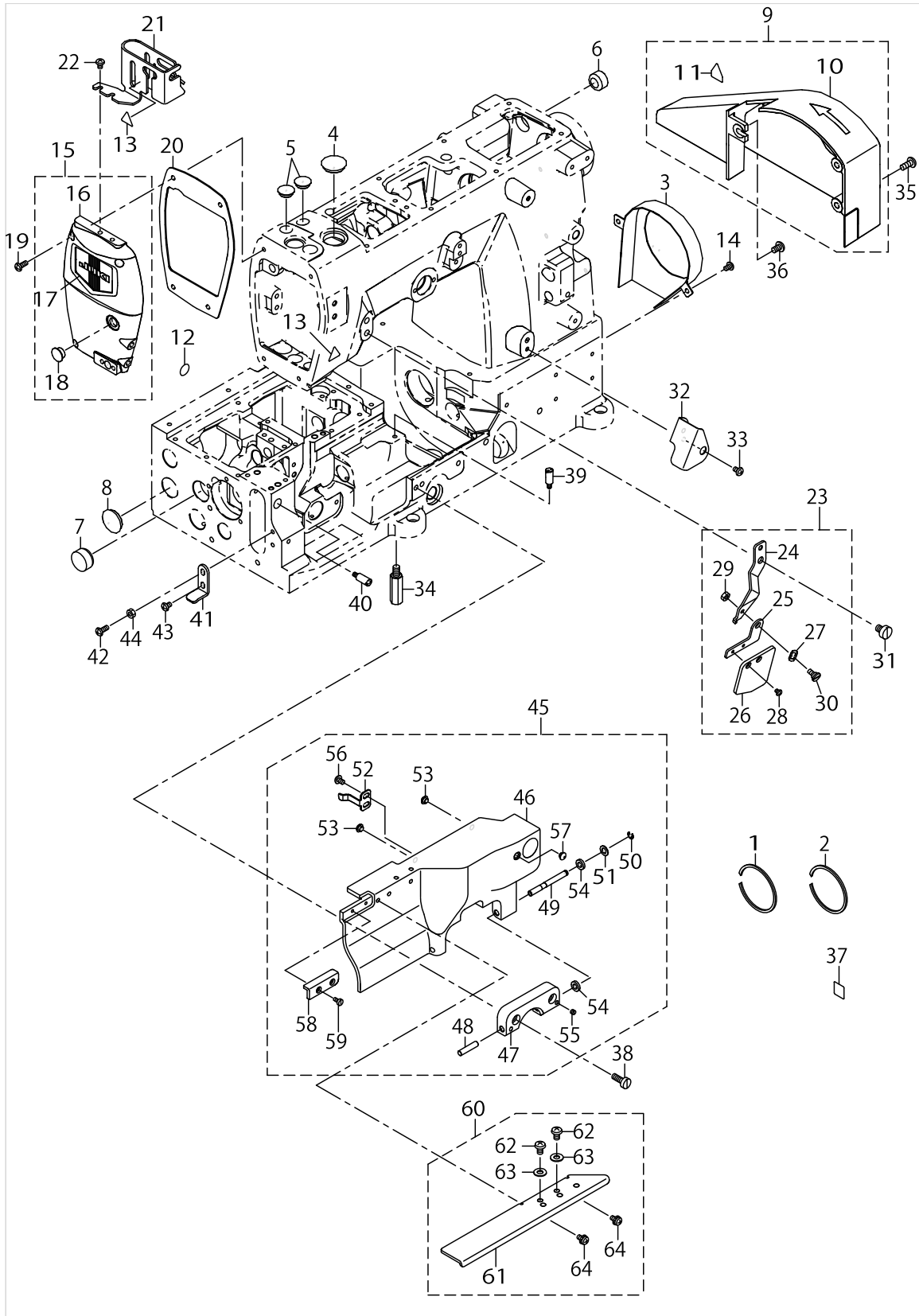
PARTS LIST

Published:05/12/2017

CONTENTS

FRAME & MISCELLANEOUS COVER COMPONENTS (1)	1
FRAME & MISCELLANEOUS COVER COMPONENTS (2)	5
MAIN SHAFT COMPONENTS	9
NEEDLE BAR & PRESSER COMPONENTS.....	13
FEED DRIVE COMPONENTS (1)	17
FEED DRIVE COMPONENTS (2)	21
THREAD TAKE-UP LEVER COMPONENTS.....	25
SPREADER COMPONENTS.....	29
LOWER THREAD CAM COMPONENTS.....	31
NEEDLE GUARD COMPONENTS.....	35
LOOPER COMPONENTS	37
THREAD TENSION COMPONENTS	39
LUBRICATION COMPONENTS	41
THREAD STAND COMPONENTS.....	45
GAUGE PARTS COMPONENTS (1) (FOR MF-7700-U10).....	47
GAUGE PARTS COMPONENTS (2) (FOR MF-7700-C10).....	51
NEEDLE COOLING MECHANISM COMPONENTS.....	55
ACCESSORIES PARTS COMPONENTS	57
HOW TO MAKE USE OF THIS PARTS LIST	59

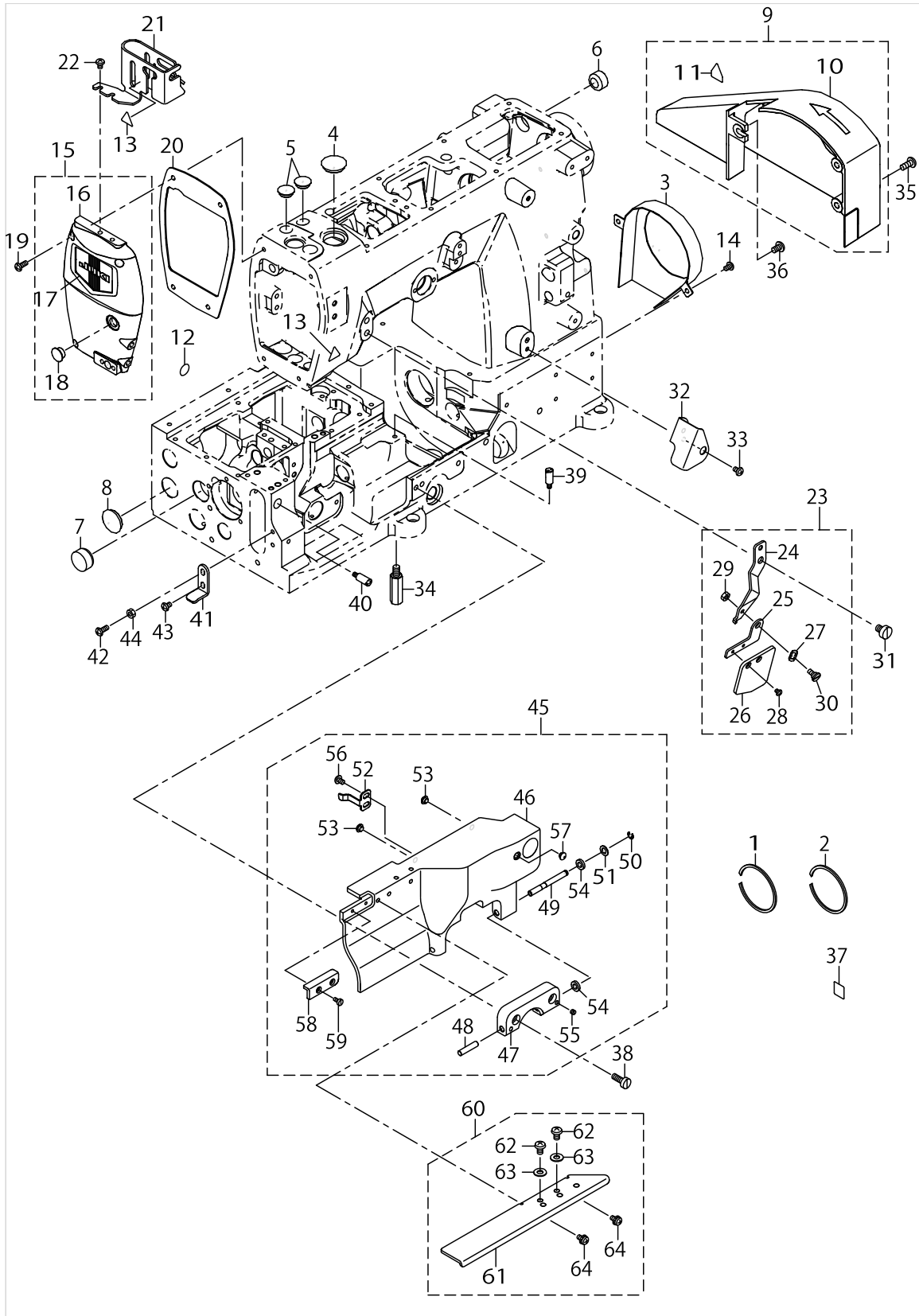
FRAME & MISCELLANEOUS COVER COMPONENTS (1)



FRAME & MISCELLANEOUS COVER COMPONENTS (1)

No.	Supply Code	Parts No.	Replacement	Parts name	Remarks	Choice	Step	Level	Cons	Qty	Rep. QTY
1		RC4881514KP		C-RING						1	
2		RC4381514KP		C-RING						1	
3		13302401		LMS_FAN_COVER						1	
4		TA2050406R0		RUBBER PLUG						1	
5		TA1250406R0		RUBBER PLUG D=12.5 L=4						2	
6		TA1701002R0		RUBBER PLUG						1	
7		TA2101002R0		RUBBER PLUG						1	
8		TA2050416R0		RUBBER PLUG						1	
9		13302658		DRIVING_BELT_COVER_ASSY						1	
10		13302609		DRIVIN BELT COVER				*		1	
11		CM3002000A1		CAUTION LABEL(16)				*		1	
12		22901805		GROUND MARK						1	
13		CM300200001		FINGER INJURY CAUTION LABEL (16)						2	
14		SM4040655SP		SCREW M4 L=6						2	
15		13300959		ASSY_HEAD_COVER						1	
16		13300900		HEAD COVER				*		1	
17		22902506		PLATE				*		1	
18		TA1050504R0		RUBBER PLUG				*		1	
19		SM4041055SP		SCREW						4	
20		13301007		GASKET H						1	
21		13301304		NEEDLE BAR GUARD						1	
22		SM4040655SP		SCREW M4 L=6						2	
23		40033518		PROTECTION_SHIELD_ASSY						1	
24		40033340		BRACKET HOLDER				*		1	
25		40033341		BRACKET				*		1	
26		13301700		PROTECTION SHIELD				*		1	
27		WZ0641510KP		WAVED WASHER 6.4X11X0.3				*		1	
28		SM4030455SN		SCREW				*		2	
29		NM6040001SP		NUT M4X0.7				*		1	
30		SD0640246SP		HINGE SCREW D=6.35 H=2.4				*		1	
31		SM6060800SP		SCREW M6 L=8						1	
32		13301403		THREAD COVER						1	
33		SM4040655SP		SCREW M4 L=6						1	
34		13301809		SUPPORT STUD						4	
35		SM4051255SP		SCREW.,M5 L=12.						2	
36		SM4050855SP		SCREW						1	
37		CM600100101		WEEE MARK LABEL S						1	
38		SM6051400SP		SCREW						2	
39		13302104		PIN						1	
40		13302104		PIN						1	
41		13304209		SUPPORT BRACKET						1	
42		SM4041055SP		SCREW						1	
43		SM4040655SP		SCREW M4 L=6						1	
44		NM6040001SP		NUT M4X0.7						1	
45		40099538		SWING_DOWN_COVER_ASSY						1	
46	R	40099363	40099538	SWING_DOWN_COVER				*		1	1.00

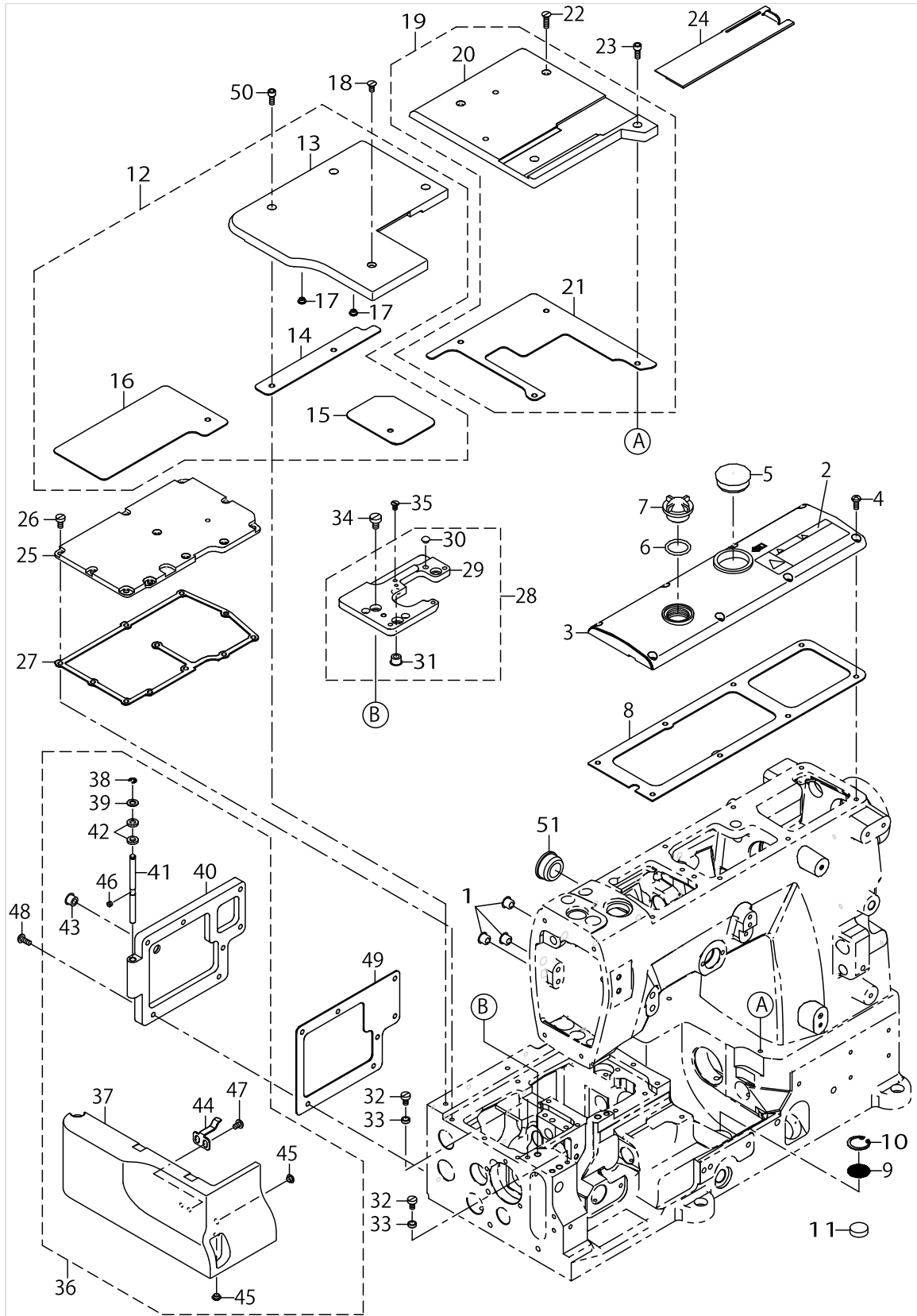
FRAME & MISCELLANEOUS COVER COMPONENTS (1)



FRAME & MISCELLANEOUS COVER COMPONENTS (1)

No.	Supply Code	Parts No.	Replacement	Parts name	Remarks	Choice	Step	Level	Cons	Qty	Rep. QTY
47		40099369		HINGE				*		1	
48		13409800		DIFF_LINK_PIN				*		1	
49		13305206		PIN_FOR_S_D_COVER				*		1	
50		RE030000K0		E-RING 3				*		1	
51		WP0550800SP		WASHER 5.5X10X0.8				*		1	
52		13304308		LATCH SPRING				*		1	
53		13302302		RUBBER BUMPER				*		2	
54		13302708		RUBBER_WASHER				*		2	
55		SM8040360TP		SCREW				*		2	
56		SM4040655SP		SCREW M4 L=6				*		2	
57		13302302		RUBBER BUMPER				*		1	
58		40099371		BRACKET				*		1	
59		SM6030600SP		SCREW M3X0.5 L=6				*		2	
60		40099374		BINDER_BRACKET_ASSY						1	
61		40099373		BINDER_BRACKET				*		1	
62		SM5050855SN		SCREW M5 L=8				*		2	
63		WP0550836SC		WASHER 5.5X12X0.8				*		2	
64		SL4040805SC		SCREW				*		2	

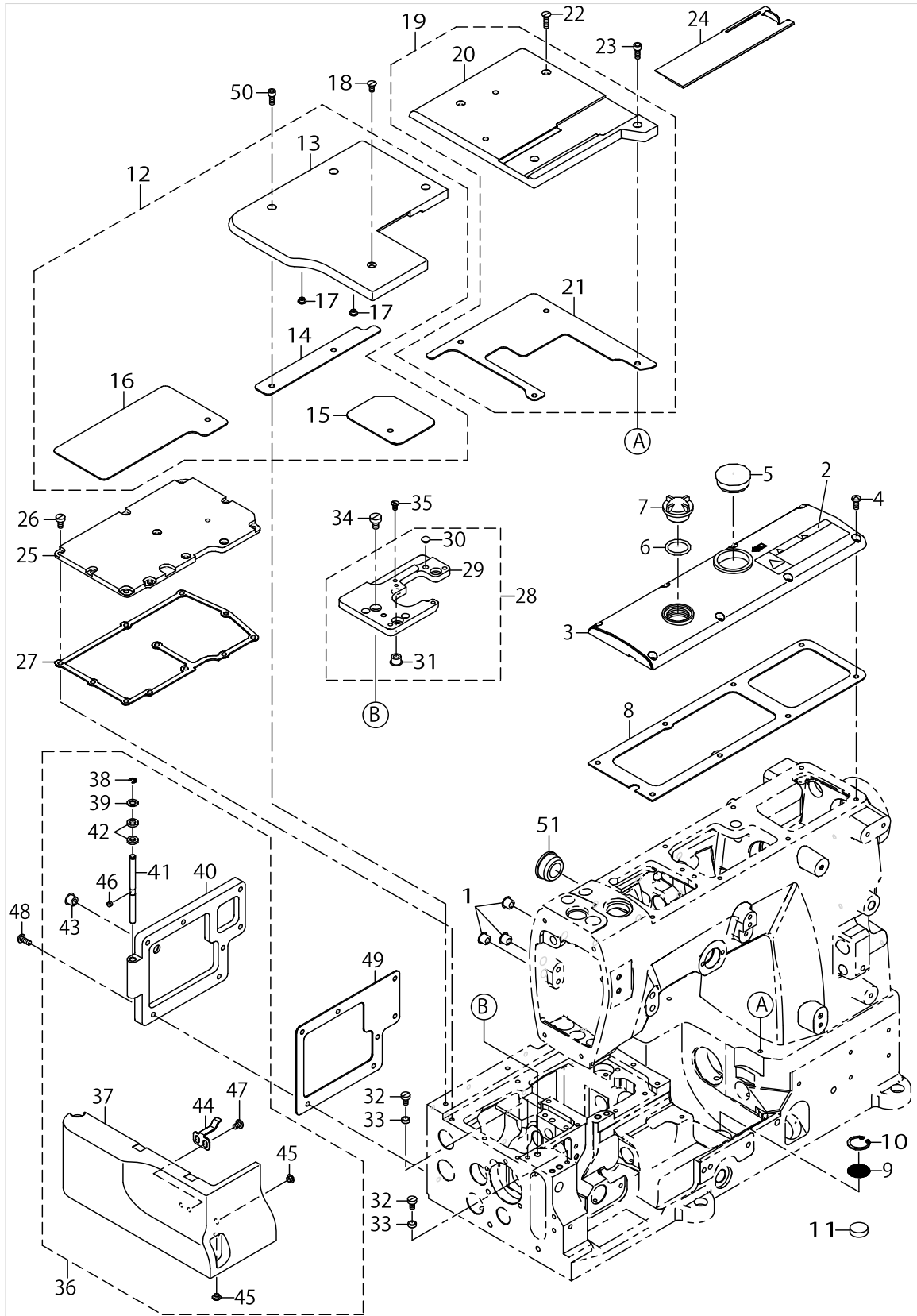
FRAME & MISCELLANEOUS COVER COMPONENTS (2)



FRAME & MISCELLANEOUS COVER COMPONENTS (2)

No.	Supply Code	Parts No.	Replacement	Parts name	Remarks	Choice	Step	Level	Cons	Qty	Rep. QTY
1		TA0850604R0		RUBBER PLUG							3
2		CM3002001B1		SAFETY LABEL 12							1
3		13300702		TOP COVER							1
4		SM4041055SP		SCREW							8
5		10753309		WINDOW PLATE RUBBER PLUG							1
6		RO195240100		RUBBER RING							1
7		22924708		OIL SIGHT WINDOW							1
8		13300801		GASKET T							1
9		13426903		MESH PLATE							1
10		RC1900002KP		RETAIN IG-PIN							1
11		40018946		FILTER							1
12		40099536		ASSY_CLOTH_PLATE_LEFT							1
13		40099365		CLOTH_PLATE_LEFT				*			1
14		13304803		GASKET_CPL				*			1
15		40099372		GASKET_TPS				*			1
16	D	13305008		GASKET_BTC				*			1
17		13302302		RUBBER BUMPER				*			2
18		SM1040800SP		SCREW							1
19		13303755		ASSY_CLOTH_PLATE_RIGHT							1
20		13303706		CLOTH PLATE RIGHT				*			1
21		13304704		GASKET_CPR				*			1
22		SM1041400SP		SCREW							2
23		SM6041002TP		SCREW M4 L=10							2
24		13303805		SLIDE COVER							1
25		13303102		BED TOP COVER							1
26		SM6040800SP		SCREW							11
27		13303201		GASKET B							1
28		40099537		ASSY_TP_SUPPORT							1
29		40099370		THROAT_PLATE_SUPPORT				*			1
30		13302302		RUBBER BUMPER				*			1
31		TA0850604R0		RUBBER PLUG				*			1
32		SM6040750TP		SCREW M4 L=7							2
33		40082196		ADJUSTING_COLLAR							2
34		SM6050800SP		SCREW M5 L=8							3
35		13302203		SCREW							2
36		40099539		SIDE_COVER_ASSY							1
37		40099367		SIDE_COVER				*			1
38		RE0300000K0		E-RING 3				*			1
39		WP0550800SP		WASHER 5.5X10X0.8				*			1
40		13303904		FEED CHAMBER COVER				*			1
41		13305107		PIN_FOR_SIDE_COVER				*			1
42		13302708		RUBBER_WASHER				*			2
43		TA0850604R0		RUBBER PLUG				*			1
44		13304308		LATCH SPRING				*			1
45		13302302		RUBBER BUMPER				*			2
46		SM8040360TP		SCREW				*			1

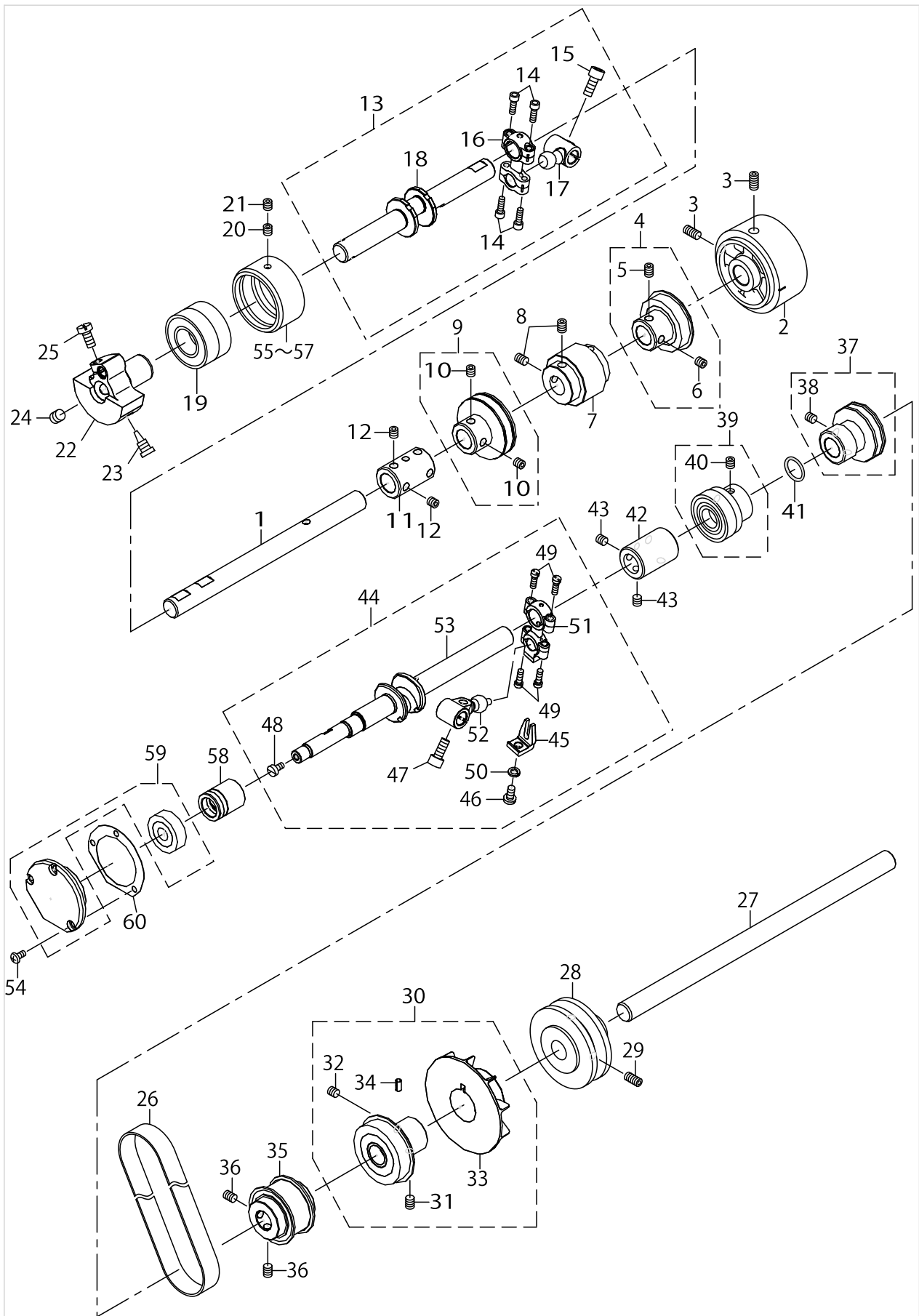
FRAME & MISCELLANEOUS COVER COMPONENTS (2)



FRAME & MISCELLANEOUS COVER COMPONENTS (2)

No.	Supply Code	Parts No.	Replacement	Parts name	Remarks	Choice	Step	Level	Cons	Qty	Rep. QTY
47		SM4040655SP		SCREW M4 L=6				*		2	
48		SM4041055SP		SCREW						7	
49		13304001		GASKET F						1	
50		SM6041002TP		SCREW M4 L=10						3	
51		TA2351004R0		RUBBER PLUG						1	

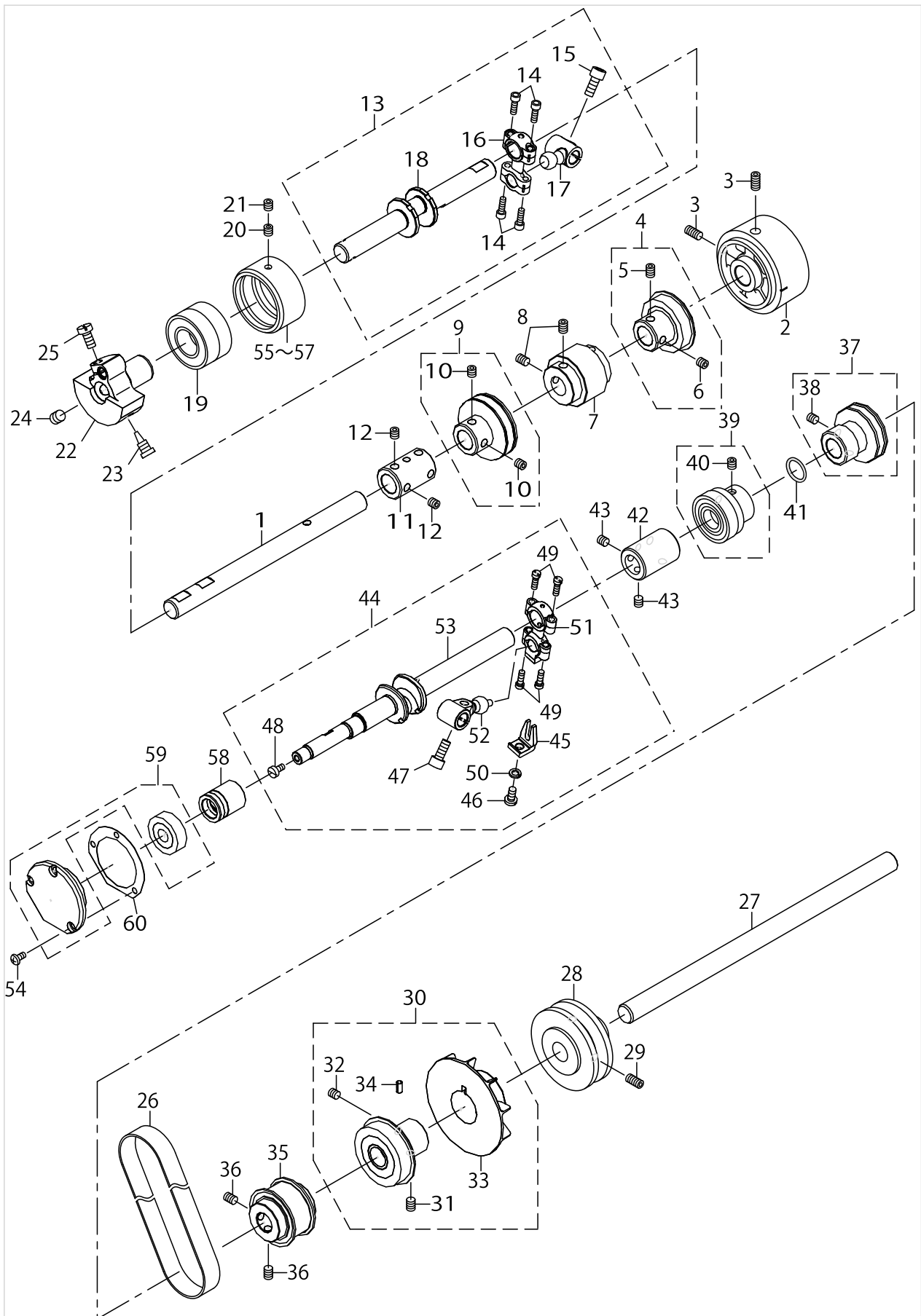
MAIN SHAFT COMPONENTS



MAIN SHAFT COMPONENTS

No.	Supply Code	Parts No.	Replacement	Parts name	Remarks	Choice	Step	Level	Cons	Qty	Rep. QTY
1		13307004		UPPER MAINSHAFT RIGHT						1	
2		13307103		UPPER PULLEY						1	
3		SM8061212TP		SCREW M6X12						2	
4		13307251		BEARING ASSY A						1	
5		SM8060842TP		SCREW M6 L=8				*		1	
6		SM8060612TP		SCREW M6 L=6				*		1	
7		13307301		UMS_SPROCKET						1	
8		SM8060812TP		SCREW M6 L=8						4	
9		13307459		BEARING ASSY B						1	
10		SM8060612TP		SCREW M6 L=6				*		2	
11		13307509		JOINT						1	
12		SM8060612TP		SCREW M6 L=6						4	
13		13307657		UMS_LEFT_ROD_ASSY						1	
14		SM6041202TP		SCREW M4X0.7 L=12				*		4	
15		SM6061402TP		SCREW M6 L=14				*		1	
16	R	13324009	13307657	ROD				*		1	1.00
17	R	13324207	13307657	CRANK				*		1	1.00
18	R	13307608	13307657	UPPER MAINSHAFT LEFT				*		1	1.00
19		SB120001900		BEARING						2	
20		SM8060842TP		SCREW M6 L=8						1	
21		SM8060612TP		SCREW M6 L=6						1	
22		13307707		COUNTER WEIGHT						1	
23		13309208		SCREW_FOR_COUNTERWEIGHT						1	
24		SM8080812TP		SCREW M8X8						1	
25		SM6061200SP		SCREW						1	
26		13308804		TIMING_BELT						1	
27		13307905		LOWER MAINSHAFT RIGHT						1	
28		13308002		LOWER PULLEY						1	
29		SM8061212TP		SCREW M6X12						2	
30		13309158		BEARING_ASSY_F						1	
31		SM8060842TP		SCREW M6 L=8				*		1	
32		SM8060612TP		SCREW M6 L=6				*		1	
33		13309000		LMS_FAN				*		1	
34		PS0400082KP		SPRING PIN				*		1	
35		13308309		LMS_SPROCKET						1	
36		SM8060812TP		SCREW M6 L=8						4	
37		13308556		BEARING_ASSY_D						1	
38		SM8060612TP		SCREW M6 L=6				*		2	
39		13308457		BEARING_ASSY_C						1	
40		SM8060612TP		SCREW M6 L=6				*		2	
41		RO148240200		RUBBER RING						1	
42		13307509		JOINT						1	
43		SM8060612TP		SCREW M6 L=6						4	
44		13308150		LMS_LEFT_ASSY						1	
45	R	13337100	13308150	GUIDE LOOPER ROD				*		1	1.00
46		SM4051055SP		SCREW				*		1	

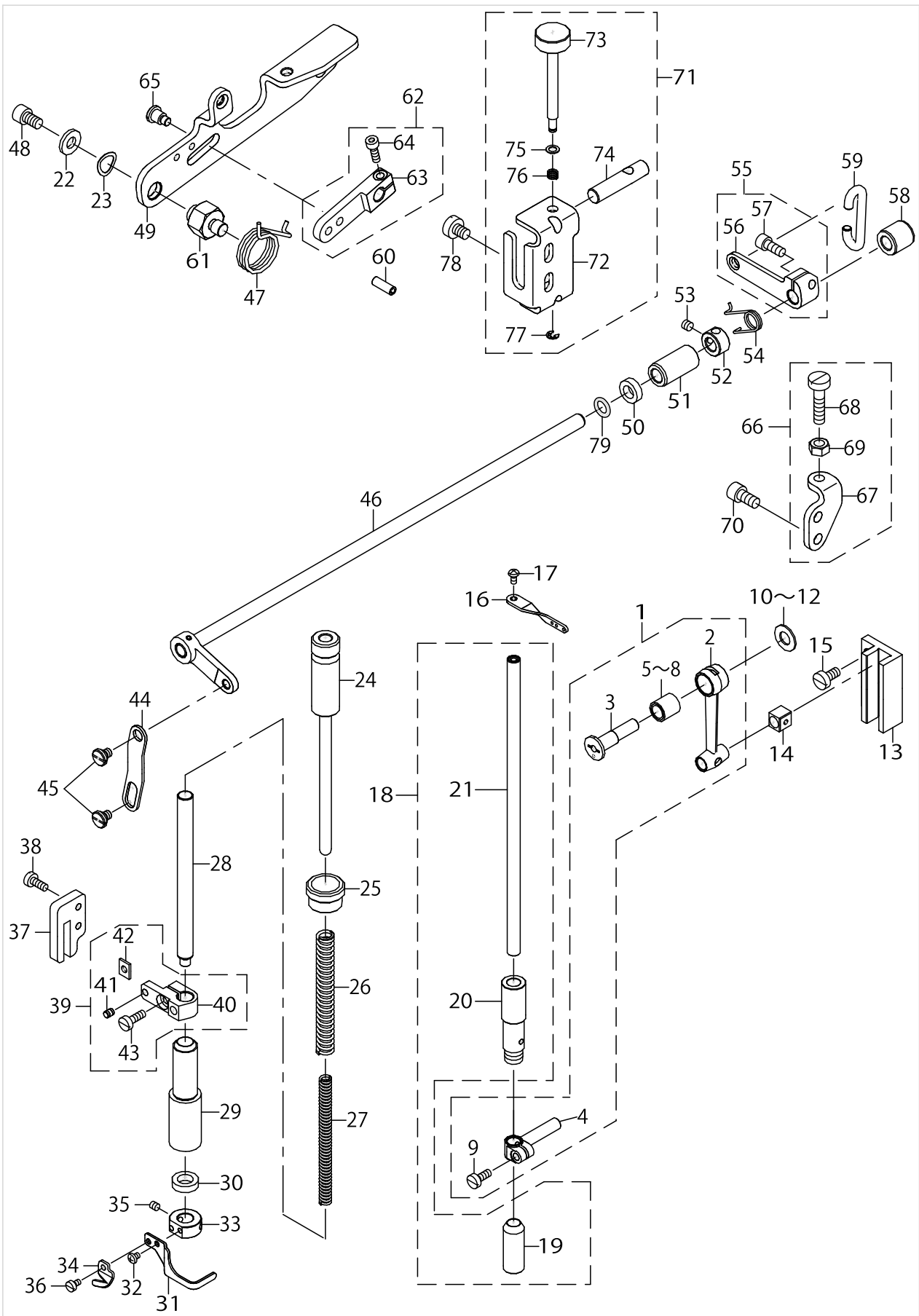
MAIN SHAFT COMPONENTS



MAIN SHAFT COMPONENTS

No.	Supply Code	Parts No.	Replacement	Parts name	Remarks	Choice	Step	Level	Cons	Qty	Rep. QTY
47		SM6061402TP		SCREW M6 L=14				*		1	
48		SM6040800SP		SCREW				*		1	
49		13324108		SCREW				*		4	
50		WS0510002KP		SPRING WASHER 5.1X9.2X1.3				*		1	
51	R	13337001	13308150	LOOPER ROD DRIVE				*		1	1.00
52	R	13337209	13308150	LOOPER DRIVE				*		1	1.00
53	R	13308101	13308150	LOWER MAINSHAFT LEFT				*		1	1.00
54		SM4040855SP		SCREW						3	
55		13307806		HOUSING A	SELECTIVE PARTS					1	
56		13309307		HOUSING B	SELECTIVE PARTS					1	
57		13309406		HOUSING C	SELECTIVE PARTS					1	
58		13308200		BUSHING LMS MIDDLE						1	
59		13308655		BUSHING_LMS_LEFT_ASSY						1	
60		13308705		GASKET FOR BUSHING LEFT						1	

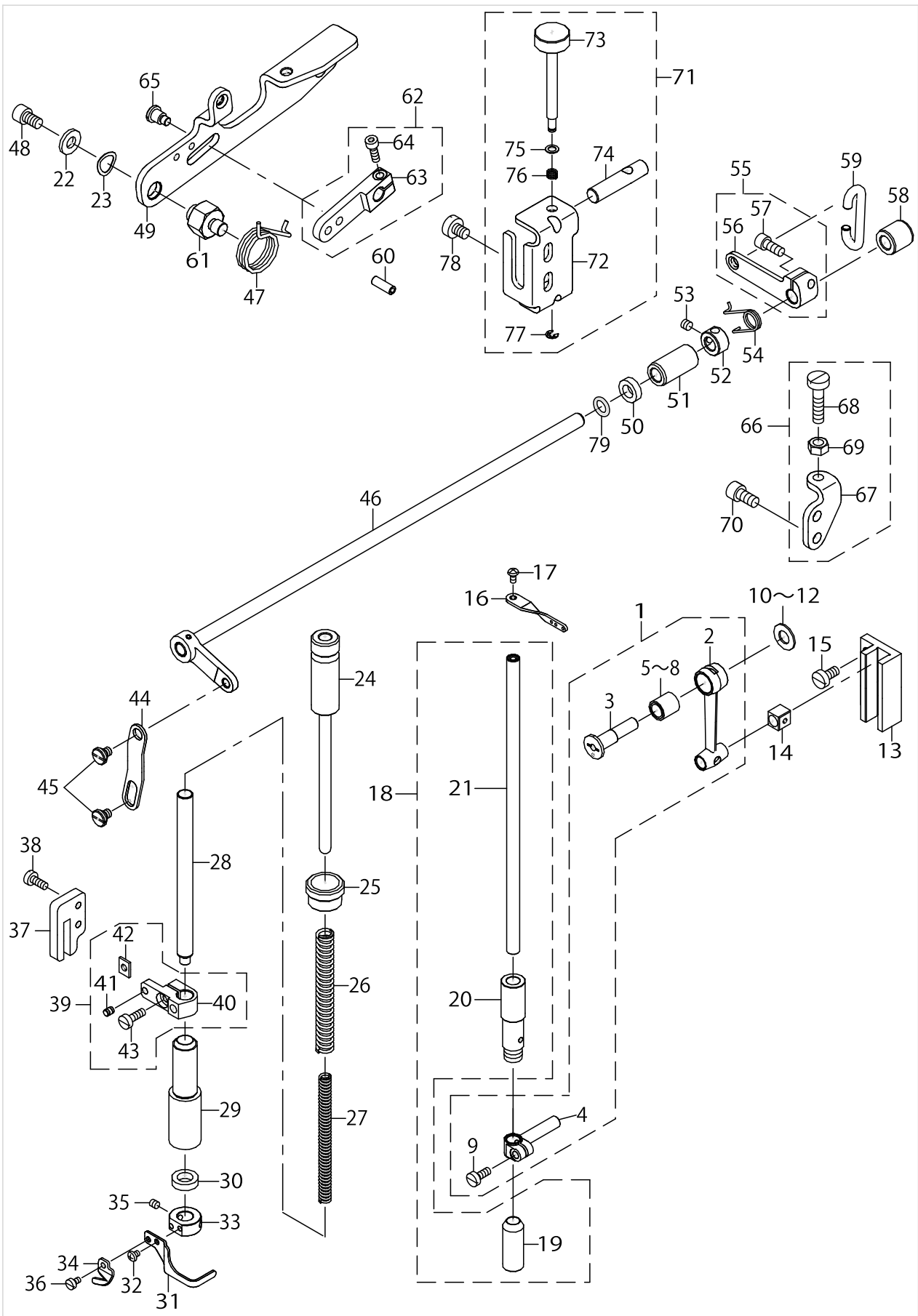
NEEDLE BAR & PRESSER COMPONENTS



NEEDLE BAR & PRESSER COMPONENTS

No.	Supply Code	Parts No.	Replacement	Parts name	Remarks	Choice	Step	Level	Cons	Qty	Rep. QTY
1		13311253		ASSY_NEEDLE_MECH						1	
2	R	13311204	13311253	CONNECTING ROD				*		1	1.00
3	R	13311006	13311253	ECCENTRIC PIN				*		1	1.00
4		13311303		NEEDLE BAR CLAMP				*		1	
5	D	SB30800110A		BEARING	SELECTIVE PARTS			*		1	
6		SB30800110B		BEARING	SELECTIVE PARTS			*		1	
7		SB30800110C		BEARING	SELECTIVE PARTS			*		1	
8		SB30800110D		BEARING	SELECTIVE PARTS			*		1	
9		SM6041000SP		SCREW M4 L=10				*		1	
10		13312103		THRUST_WASHER	SELECTIVE PARTS					1	
11		13312202		THRUST_WASHER	SELECTIVE PARTS					1	
12		13312301		THRUST_WASHER	SELECTIVE PARTS					1	
13		13311600		NEEDLE BAR GUIDE						1	
14		13311501		SLIDE BLOCK						1	
15		SM6051000SP		SCREW						3	
16		13326806		NEEDLE BAR EYELET						1	
17		SM4030655SP		SCREW						1	
18		13311956		ASSY_BUSHING_NB						1	
19	R	13311907	13311956	BUSHING NB LOWER				*		1	1.00
20	R	13311808	13311956	BUSHING NB UPPER				*		1	1.00
21		13311451		NEEDLE BAR ASSY				*		1	
22		WP0702026SP		WASHER 7X15X2						1	
23		WZ1052010KP		WAVED WASHER						1	
24		40070573		ADJ_SCREW_P_B_ASSY						1	
25	R	13313101	13313068	LOCKING NUT						1	1.00
26		13313309		SPRING PRESSER BAR A						1	
27		13313408		SPRING PRESSER BAR B						1	
28		40070559		PRESSER_BAR						1	
29		13313705		BUSHING PRESSER BAR						1	
30		13315908		OIL SEAL						1	
31		40018259		FINGER_GUARD						1	
32		SM4030455SP		SCREW						1	
33		13313606		COLLAR						1	
34		13316302		THREAD_TRIMMER						1	
35		SM8040412TP		SET SCREW M4 L=4						2	
36		SM6030500SN		SCREW M3 L=5						1	
37		13313804		GUIDE PLATE						1	
38		SM6041000SP		SCREW M4 L=10						2	
39		13313952		P_B_BRACKET_ASSY						1	
40	R	13313903	13313952	PRESSER BAR BRACKET				*		1	1.00
41		13316203		P_B_BRACKET_PIN				*		1	
42		13333208		WASHER				*		1	
43		SM6041200SP		SCREW M4 L=12				*		1	
44		13314109		LINK						1	
45		SD0700206TP		SHOULDER SCREW						2	
46		13314356		ASSY LIFTER SHAFT						1	

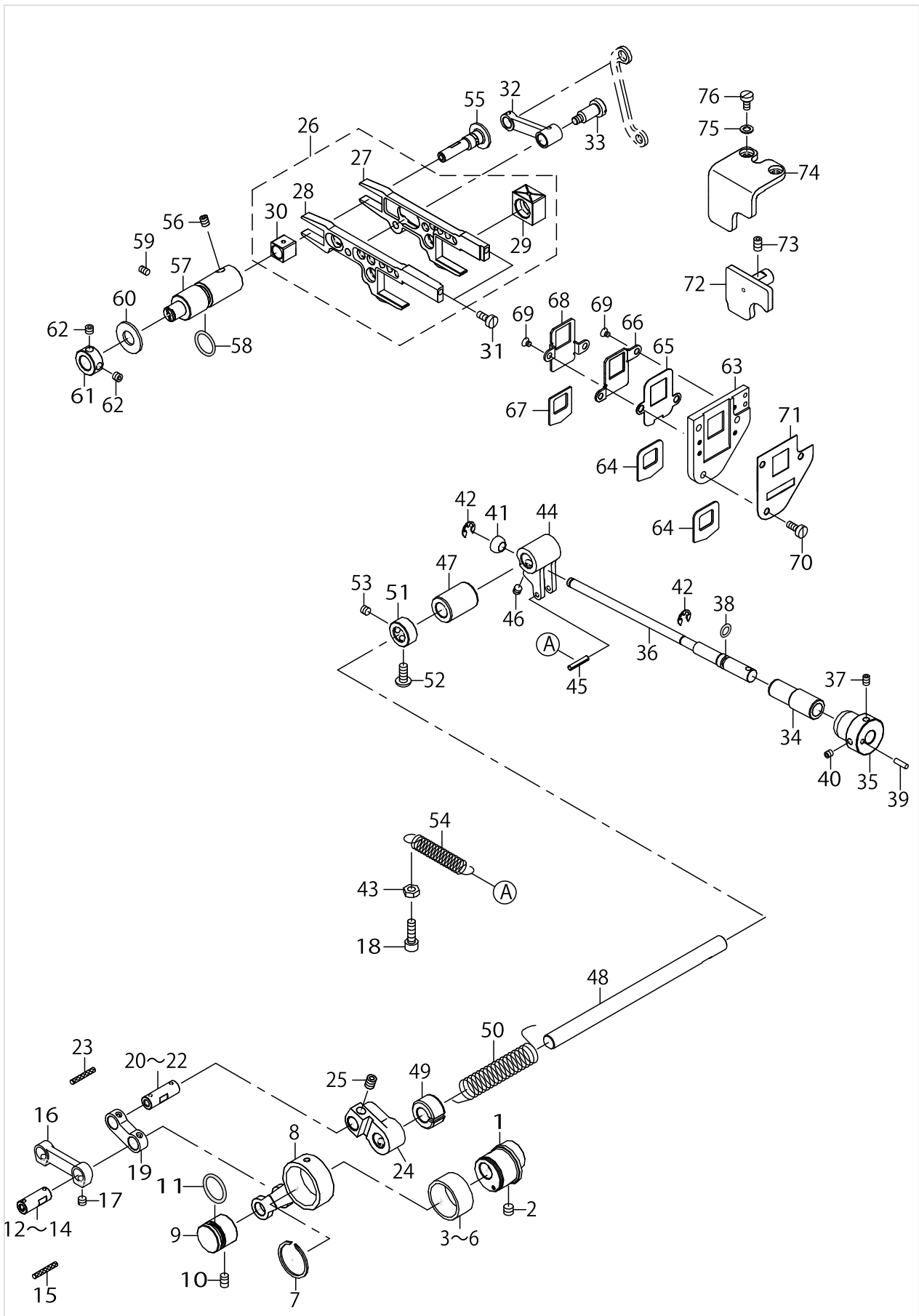
NEEDLE BAR & PRESSER COMPONENTS



NEEDLE BAR & PRESSER COMPONENTS

No.	Supply Code	Parts No.	Replacement	Parts name	Remarks	Choice	Step	Level	Cons	Qty	Rep. QTY
47		13315205		SPRING LIFTER LEVER						1	
48		SM6061002TP		SCREW M6 L=10						1	
49		13315007		LIFTER LEVER						1	
50		23537202		HOOK SHAFT OIL SEAL						1	
51		13314406		BUSHING LIFTER FRONT						1	
52		CS0800881TP		THRUST COLLAR						1	
53		SM8050412TP		SCREW M5 L=4						2	
54		13314802		SPRING PF LIFT						1	
55		13314752		LIFTER_SHAFT_LEVER_ASSY						1	
56		13314703		LIFTER SHAFT LEVER				*		1	
57		SM6051202TP		SCREW M5X0.8 L=12				*		1	
58		13314505		BUSHING LIFTER REAR						1	
59		13314901		LIFTER HOOK						1	
60		PS0500142KP		SPRING PIN						1	
61		13315106		LIFTER LEVER HOLDER						1	
62		13315353		TENS_RELEASE_LEVER_ASSY						1	
63		13315304		TENSION RELEASE LEVER				*		1	
64		SM6041202TP		SCREW M4X0.7 L=12				*		1	
65		SD0700586TP		SHOULDER SCREW						1	
66		13315551		STOPPER_ASSY						1	
67		13315502		LIFTER LEVER STOPPER				*		1	
68		SM6062550TP		SCREW M6 L=25				*		1	
69		NM6060001CP		NUT M6				*		1	
70		SM6061202TP		SCREW M6 L=12						2	
71		13315650		MINUTE_LIFTING_ASSY						1	
72		13315601		BRACKET				*		1	
73		13315700		SCREW				*		1	
74		13315809		SLIDER				*		1	
75		WP0460556SD		WASHER 4.6X7.5X0.5				*		1	
76		13123302		ADJUSTING SPRING				*		1	
77		RE0300000K0		E-RING 3				*		1	
78		SM6060800SP		SCREW M6 L=8						2	
79		RO074240100		RUBBER RING						1	

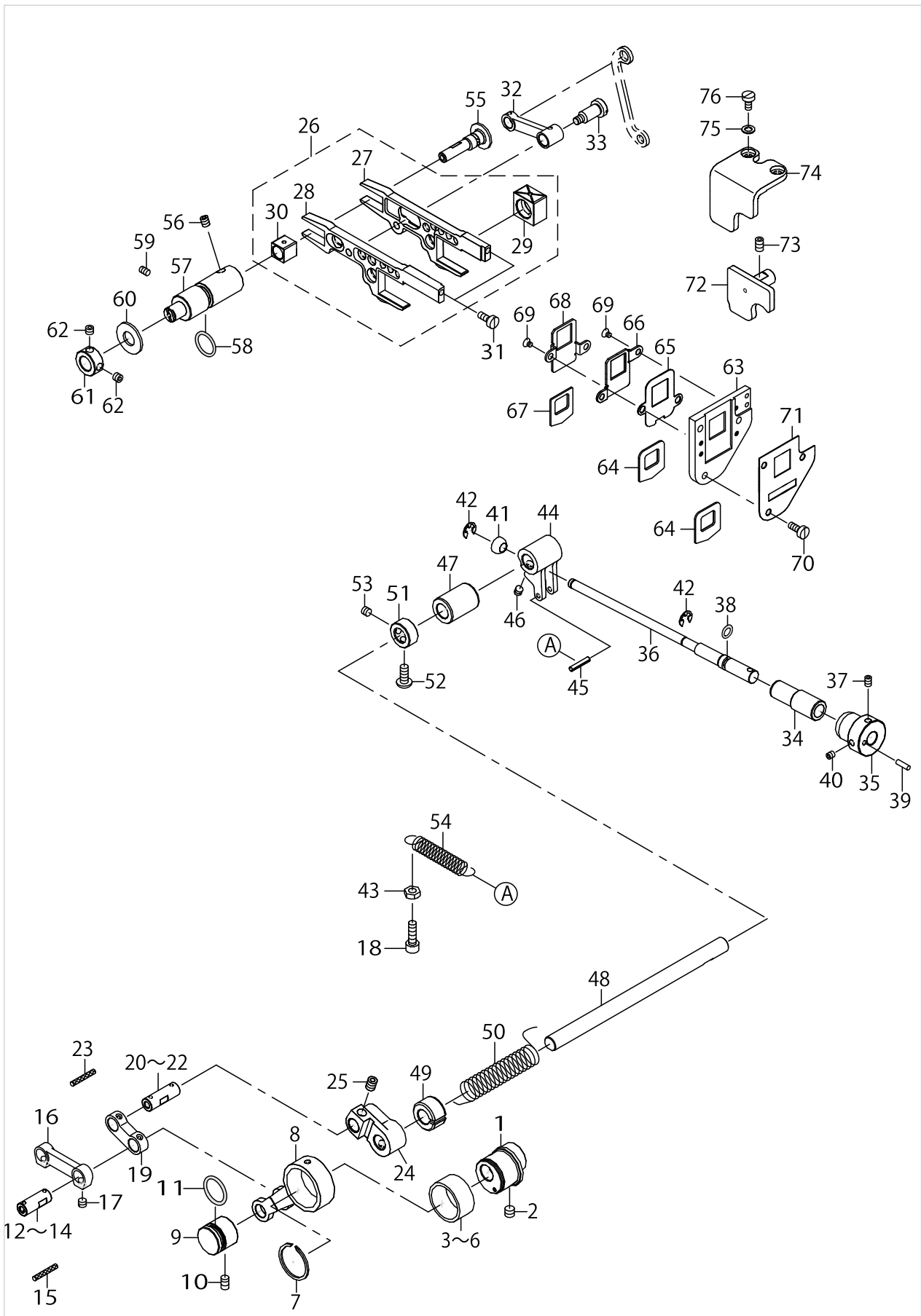
FEED DRIVE COMPONENTS (1)



FEED DRIVE COMPONENTS (1)

No.	Supply Code	Parts No.	Replacement	Parts name	Remarks	Choice	Step	Level	Cons	Qty	Rep. QTY
1		13317003		FEED ECCENTRIC						1	
2		SM8060552TP		SCREW M6 L=5						2	
3		B1426180A00		NEEDLE BEARING (A)	SELECTIVE PARTS					1	
4		B1426180B00		NEEDLE BEARING (B)	SELECTIVE PARTS					1	
5		B1426180C00		NEEDLE BEARING (C)	SELECTIVE PARTS					1	
6		B1426180D00		NEEDLE BEARING (D)	SELECTIVE PARTS					1	
7		RC2251213KP		C-RING						1	
8		13317102		CRANK_ROD						1	
9		13323803		CRANK ROD GUIDE						1	
10		SM8050812TP		SCREW M5X8						1	
11		RO158240100		O-RING						1	
12		13323308		FEED_ADJ_LINK_PIN_A	SELECTIVE PARTS					1	
13		13323407		FEED_ADJ_LINK_PIN_B	SELECTIVE PARTS					1	
14		13323506		FEED_ADJ_LINK_PIN_C	SELECTIVE PARTS					1	
15		CQ303000000		OIL WICK						.07	
16		13317201		MAIN FEED DRIVE LINK						1	
17		SM8050412TP		SCREW M5 L=4						2	
18		SM6051602TP		SCREW M5X0.8 L=16						1	
19		13317300		ADJUST LINK						1	
20		13317409		FEED ADJ LINK PIN A	SELECTIVE PARTS					1	
21		13317508		FEED ADJ LINK PIN B	SELECTIVE PARTS					1	
22		13317607		FEED ADJ LINK PIN C	SELECTIVE PARTS					1	
23		CQ303000000		OIL WICK						.08	
24		13317706		MAIN FEED ADJ LEVER						1	
25		SM8060552TP		SCREW M6 L=5						2	
26		13321658		FEED_BAR_ASSY						1	
27	R	13321609	13321658	MAIN FEED BAR				*		1	1.00
28	R	13321708	13321658	DIFF FEED BAR				*		1	1.00
29	D	13321401		SLIDE BLOCK				*		1	
30	R	13322409	13321658	SLIDE BLOCK				*		1	1.00
31		SM6041000SP		SCREW M4 L=10						2	
32		13319702		DIFF FEED LINK						1	
33		SD0801326TH		SHOULDER SCREW						1	
34		13318209		BUSHING FEED ADJUST						1	
35		13318001		KNOB FEED ADJUST						1	
36		13318100		SHAFT FEED ADJUST						1	
37		SM8040602TP		SCREW M4X0.7 L=6						1	
38		RO055200100		RUBBER RING						1	
39		B3215470000		PIN						1	
40		SM8040412TP		SET SCREW M4 L=4						1	
41		13318308		STOPPER FEED ADJUST						1	
42		RE0500000K0		E-RING						2	
43		NM6050001SP		NUT M5						1	
44		13317904		FEED ADJUST LEVER						1	
45		PS0300162KH		SPRING PIN 3X16						1	
46		SM8050412TP		SCREW M5 L=4						1	

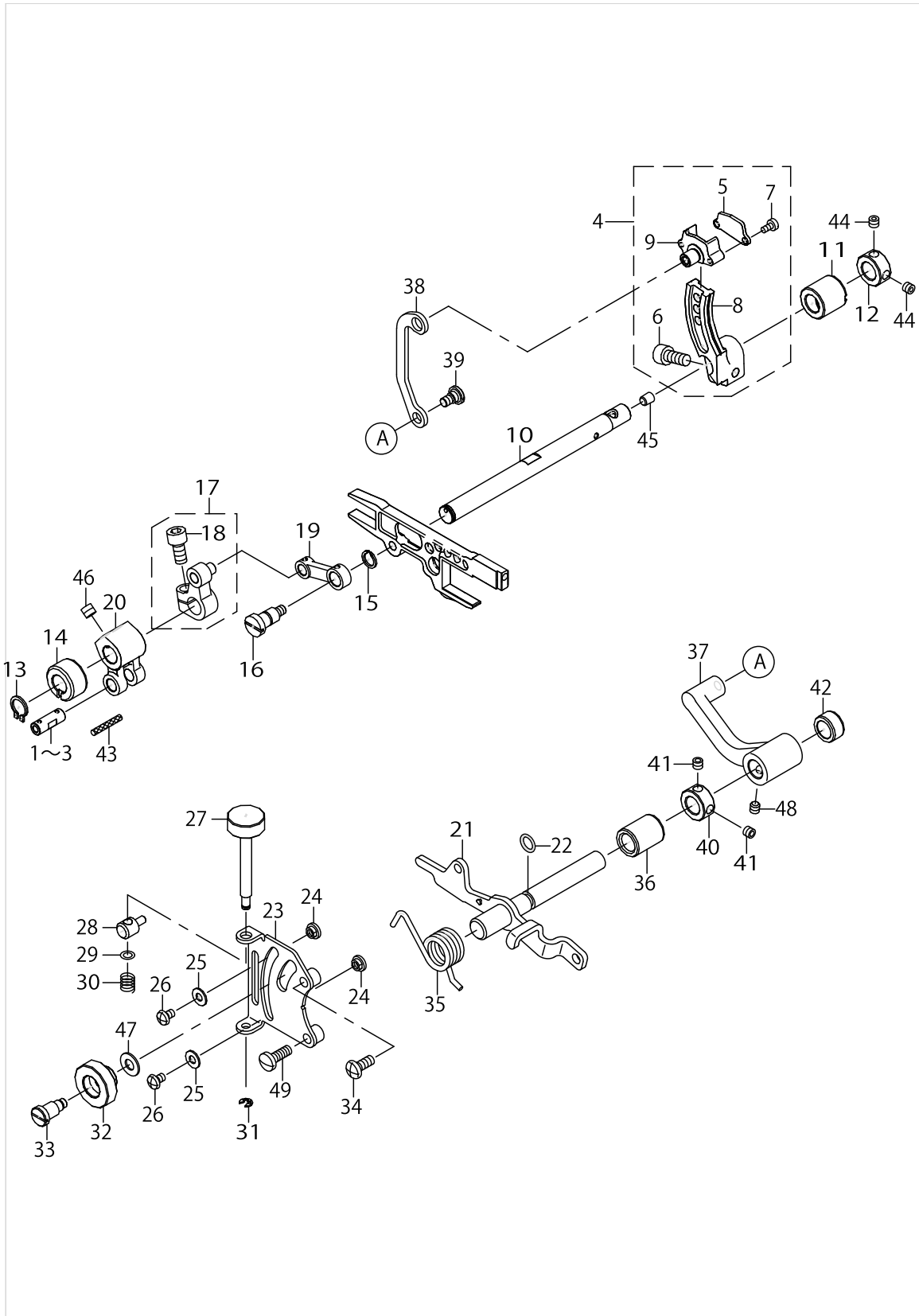
FEED DRIVE COMPONENTS (1)



FEED DRIVE COMPONENTS (1)

No.	Supply Code	Parts No.	Replacement	Parts name	Remarks	Choice	Step	Level	Cons	Qty	Rep. QTY
47		13323100		BUSHING_FEED_ADJ						1	
48		13317805		FEED ADJUST SHAFT						1	
49		13319108		BUSHING FEED FRONT						1	
50		13318506		TORSIN SPRING						1	
51		CS1000881TP		THRUST COLLAR						1	
52		SM4051255SP		SCREW.,M5 L=12.						1	
53		SM8050412TP		SCREW M5 L=4						1	
54		B2556280000		SPRING						1	
55		13322201		ECCENTRIC PIN						1	
56		SM8060552TP		SCREW M6 L=5						1	
57		13322003		FEED BAR SHAFT						1	
58		RO137230100		RUBBER RING						1	
59		SM8040612TP		SCREW M4 L=6						1	
60		13322102		WASHER FEED BAR SHAFT						1	
61		CS1000881TP		THRUST COLLAR						1	
62		SM8050412TP		SCREW M5 L=4						2	
63		13322508		FEEDBARSEALCASE						1	
64		13322607		FEED BAR SEAL 1						2	
65		13322706		FEED BAR SEAL PLATE 1						1	
66		13322805		FEED BAR SEAL PLATE 2						1	
67		13323001		FEED BAR SEAL 2						1	
68		13322904		FEED BAR SEAL PLATE 3						1	
69		SM1030400SP		SCREW M3 L=4						4	
70		SM6041000SP		SCREW M4 L=10						3	
71	D	13323605		DUST PROOF PLATE						1	
72		13321807		FEED BAR GUIDE 1						1	
73		SM8050812TP		SCREW M5X8						1	
74		13321906		FEED BAR GUIDE 2						1	
75		WP0480856SP		WASHER 4.8X8.4X0.8						2	
76		SM6040800SP		SCREW						2	

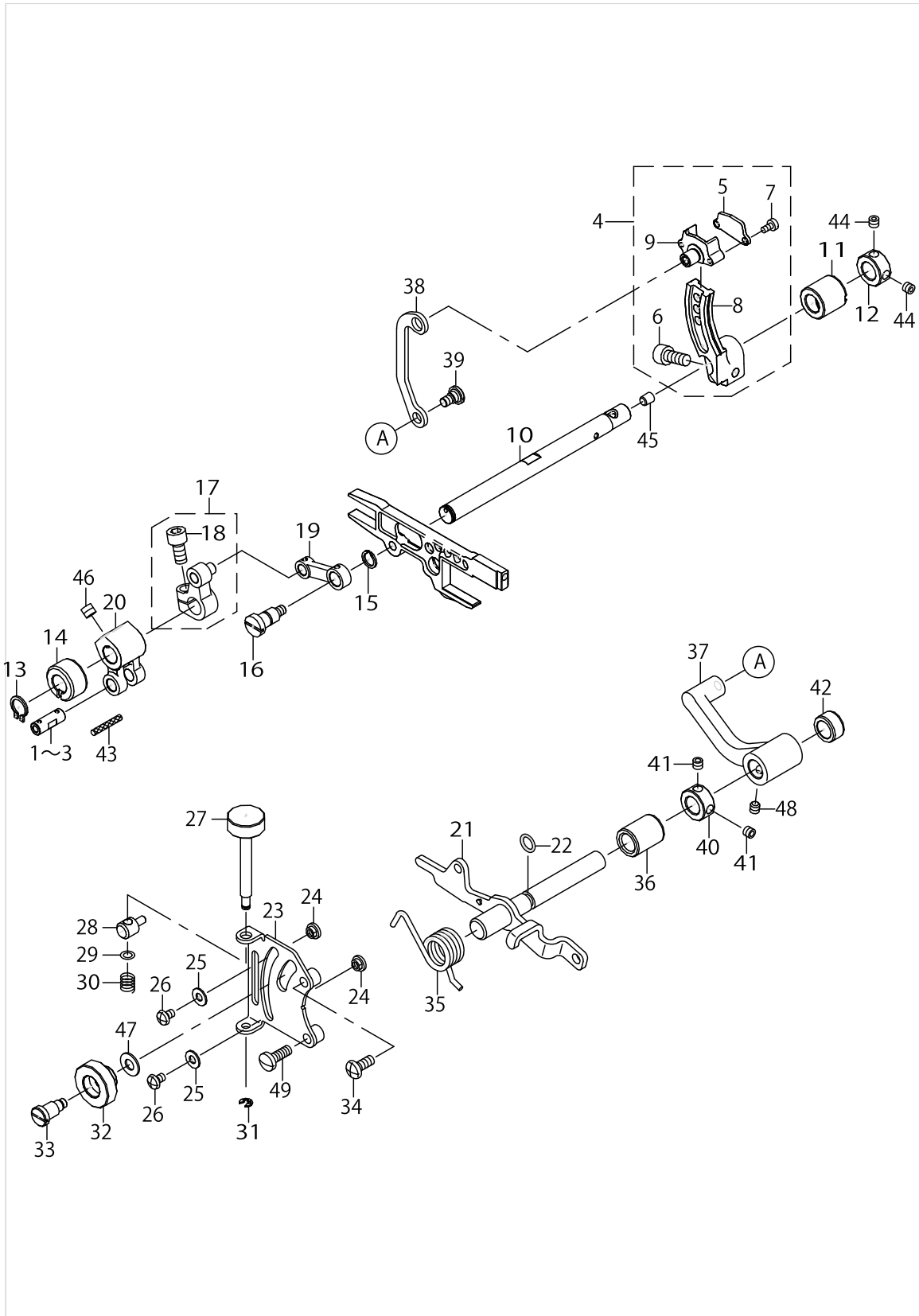
FEED DRIVE COMPONENTS (2)



FEED DRIVE COMPONENTS (2)

No.	Supply Code	Parts No.	Replacement	Parts name	Remarks	Choice	Step	Level	Cons	Qty	Rep. QTY
1		13318704		MAIN FEED CRANK PIN A	SELECTIVE PARTS					1	
2		13318803		MAIN FEED CRANK PIN B	SELECTIVE PARTS					1	
3		13318902		MAIN FEED CRANK PIN C	SELECTIVE PARTS					1	
4		13319959		DIFF_DRIVE_ARM_ASSY						1	
5		13320106		DIFF FEED PIN PLATE				*		1	
6		SM6061402TP		SCREW M6 L=14				*		1	
7		SM6030600SP		SCREW M3X0.5 L=6				*		2	
8	R	13319900	13319959	DIFF DRIVE ARM				*		1	1.00
9		13320007		DIFF FEED PIN				*		1	
10		13319009		ROCKER SHAFT						1	
11		13319207		BUSHING FEED REAR						1	
12		CS1000881TP		THRUST COLLAR						1	
13		RC0100001KP		SNAP RING M10						1	
14		13319108		BUSHING FEED FRONT						1	
15		RC0741013KP		C-RING						1	
16		13398409		SHOULDER SCREW						1	
17		13319355		MAIN_FEED_ROCKER_ASSY						1	
18		SM6061202TP		SCREW M6 L=12				*		1	
19		13319504		MAIN FEED LINK						1	
20		13318605		MAIN FEED CRANK						1	
21		40040206		DIFF_FEED_LEVER_ASSY						1	
22		RO068190100		RUBBER RING						1	
23		40039630		PLATE_DIFF_FEED_LEVER						1	
24		13321203		STOPPER DIFF ADJ						2	
25		WP0450826SC		WASHER 4.5X10X0.8						2	
26		SM5040655SN		SCREW						2	
27		40040207		SCREW						1	
28		13217708		DIFFERENTIAL FEED BLOCK						1	
29		WP0460556SD		WASHER 4.6X7.5X0.5						1	
30		13123302		ADJUSTING SPRING						1	
31		RE0300000K0		E-RING 3						1	
32		13217500		DIFFERENTIAL FEED LOCK NUT						1	
33		13217401		DIFFERENTIAL FEED HINGE SCREW						1	
34		SM4051255SP		SCREW..M5 L=12						1	
35		13121603		ADJUSTING LEVER SPRING						1	
36		13320304		BUSHING DIFF ADJ LEVER						1	
37		13320403		DIFF ADJ LEVER						1	
38		40018443		DIFF_ADJ_LINK						1	
39		31013808		HINGE SCREW						1	
40		CS1000881TP		THRUST COLLAR						1	
41		SM8050412TP		SCREW M5 L=4						2	
42		13323209		BUSHING_DIFF_ADJ_LEVER						1	
43		CQ303000000		OIL WICK						.04	
44		SM8050412TP		SCREW M5 L=4						2	
45		TA0500601M0		PLUG D=5X5.4 L=6						1	
46		SM8060552TP		SCREW M6 L=5						2	

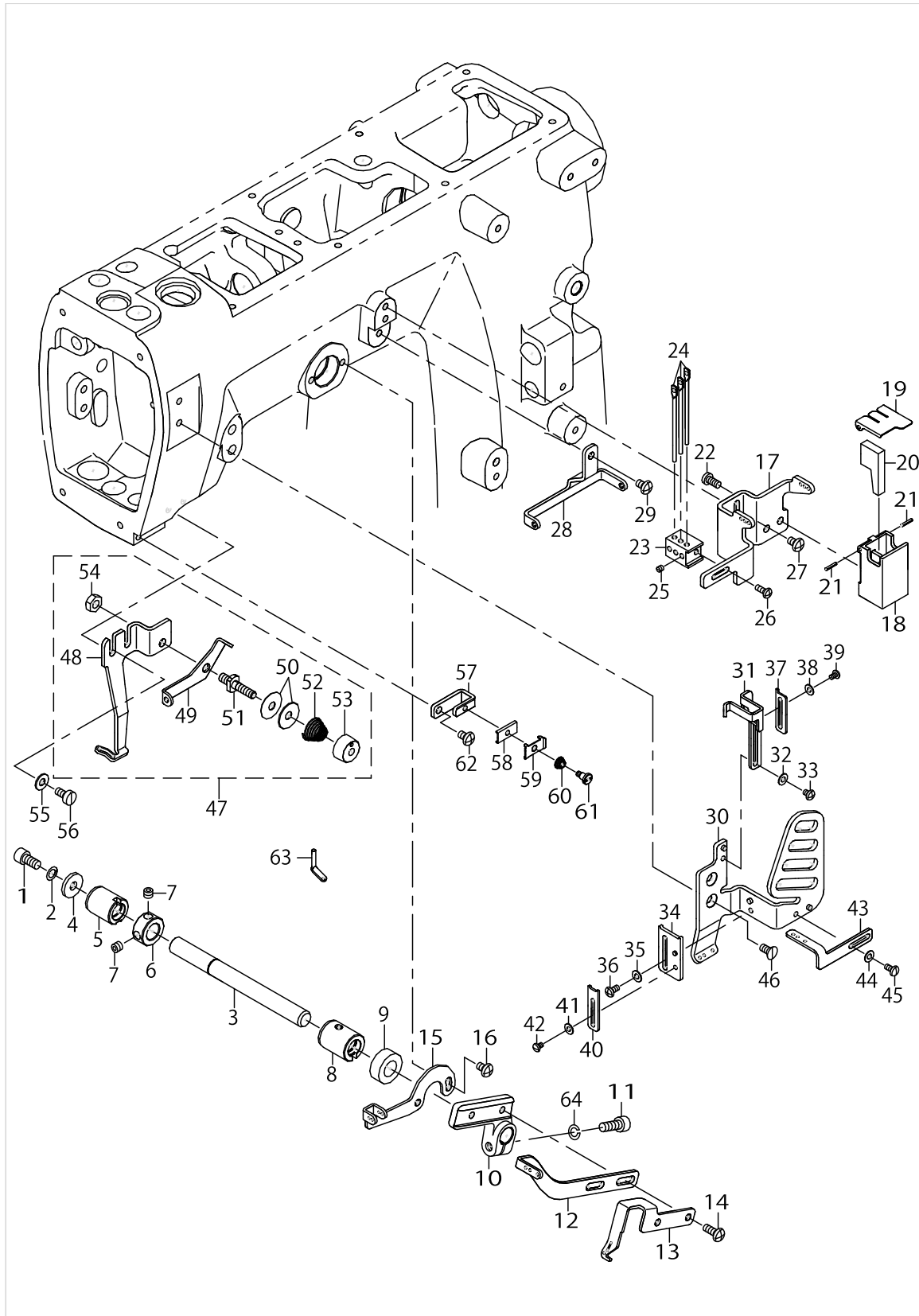
FEED DRIVE COMPONENTS (2)



FEED DRIVE COMPONENTS (2)

No.	Supply Code	Parts No.	Replacement	Parts name	Remarks	Choice	Step	Level	Cons	Qty	Rep. QTY
47		WP0621016SD		WASHER 6.2X13X1						1	
48		SM8050412TP		SCREW M5 L=4						1	
49		SM7051460TP		SCREW M5 L=14						1	

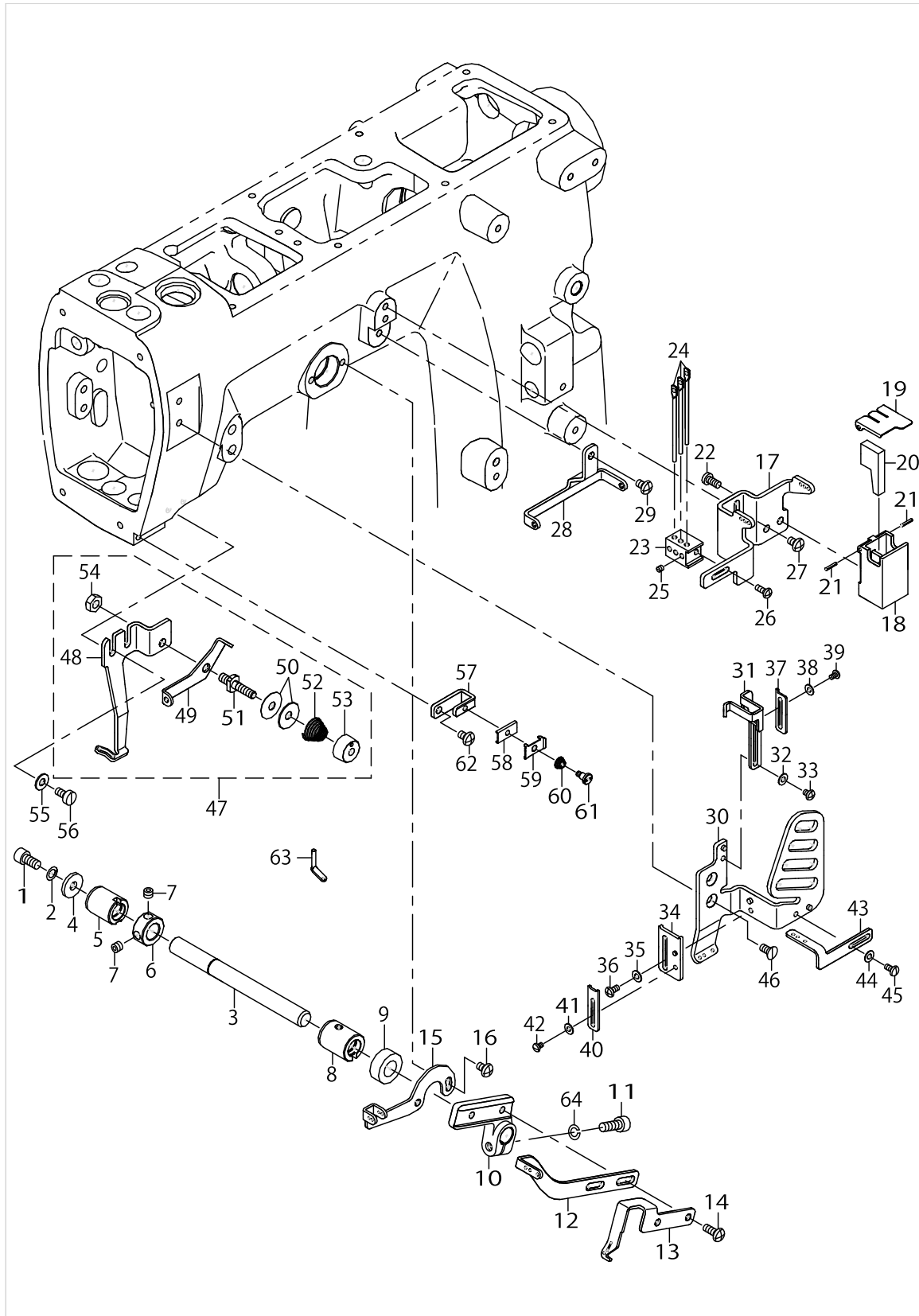
THREAD TAKE-UP LEVER COMPONENTS



THREAD TAKE-UP LEVER COMPONENTS

No.	Supply Code	Parts No.	Replacement	Parts name	Remarks	Choice	Step	Level	Cons	Qty	Rep. QTY
1		SM6051002TP		SCREW M5X0.8 L=10						1	
2		WS0510002KP		SPRING WASHER 5.1X9.2X1.3						1	
3		13324306		SHAFT						1	
4		WP0522016SH		WASHER						1	
5		13324504		BUSHING REAR						1	
6		CS1000881TP		THRUST COLLAR						1	
7		SM8050412TP		SCREW M5 L=4						2	
8		13324603		BUSHING FRONT						1	
9		23612609		FEED CHANGING SHAFT OIL SEAL						1	
10		13324702		HOLDER TAKE UP EYELET						1	
11		SM6051402TP		SCREW M5X0.8 L=14						1	
12		13324801		NDL THREAD TAKE UP						1	
13		13324900		UP LPR THREAD TAKE UP						1	
14		SM4041055SP		SCREW						2	
15		13325006		THREAD GUIDE						1	
16		SM4040655SP		SCREW M4 L=6						2	
17		13325105		THREAD TENSION GUIDE						1	
18		13348008		TANK						1	
19		B9213850000		SILICONE OIL TANK COVER, UPPER						1	
20		B9214850000		HEAT REMOVING FELT						1	
21		PS0150082KH		SPRING PIN						2	
22		ST4040851SN		TAPPING SCREW M4X8						2	
23		13325204		HOLDER						1	
24	R	30391601	40074316	NEEDLE THREAD EYELET						3	1.00
25		SM8030312TP		SCREW M3 L=3						3	
26		SM4030855SN		SCREW M3 L=8.0						1	
27		SM4040655SP		SCREW M4 L=6						2	
28		13325402		THREAD GUIDE						1	
29		SM4040655SP		SCREW M4 L=6						1	
30		13325501		COVER						1	
31		13325709		NDL THD STRIKE OFF						1	
32		WP0320501SC		WASHER M3						1	
33		SM4030455SP		SCREW						1	
34		13325600		THD STRIKE OFF PLATE						1	
35		WP0320501SC		WASHER M3						1	
36		SM4030655SP		SCREW						1	
37		13326905		NDL THD STRIKE OFF R						1	
38		WP0280501SC		WASHER M2.6						1	
39		SM4850455SP		SCREW						1	
40		13327002		THD STRIKE OFF PLATE R						1	
41		WP0280501SC		WASHER M2.6						1	
42		SM4850455SP		SCREW						1	
43		13327101		THREAD_GUIDE						1	
44		WP0320501SC		WASHER M3						1	
45		SM4030655SP		SCREW						1	
46		SM1040800SP		SCREW						2	

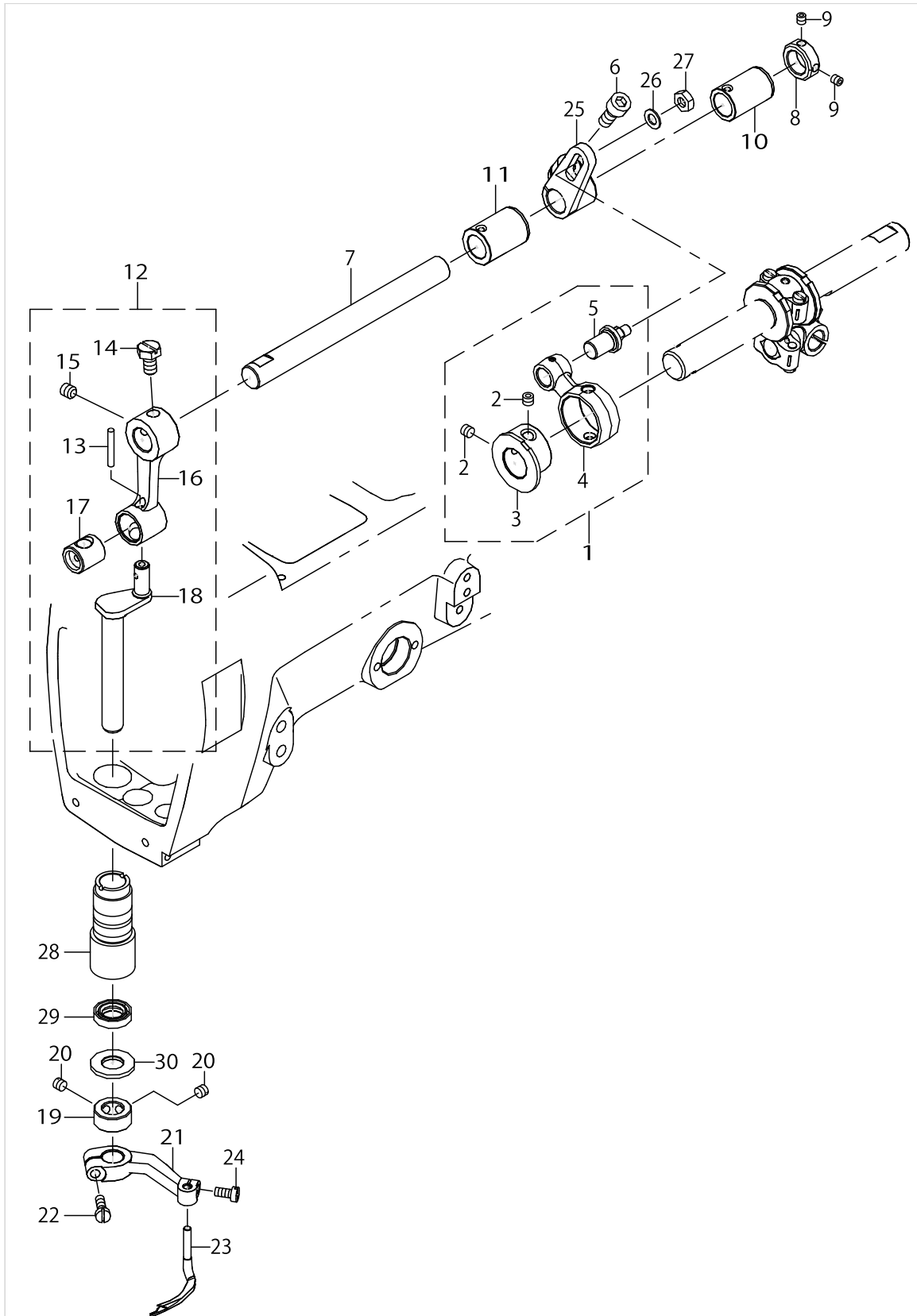
THREAD TAKE-UP LEVER COMPONENTS



THREAD TAKE-UP LEVER COMPONENTS

No.	Supply Code	Parts No.	Replacement	Parts name	Remarks	Choice	Step	Level	Cons	Qty	Rep. QTY
47		13326350		UP_LPR_TENSION_ASSY						1	
48		13326301		THREAD GUIDE UPPER LPR				*		1	
49		13326400		THREAD GUIDE				*		1	
50		22945802		THREAD TENSION DISK				*		2	
51		13326509		TENSION POST				*		1	
52		22945505		THREAD TENSION SPRING				*		1	
53		13326608		TENSION NUT				*		1	
54		NM6050001SP		NUT M5				*		1	
55		WP0450826SC		WASHER 4.5X10X0.8						2	
56		SM6040800SP		SCREW						2	
57		13325808		NIPPER PLATE SUPPORT						1	
58		13325907		NIPPER PLATE						1	
59		13326004		NIPPER GUIDE PLATE						1	
60		13326103		SPRING						1	
61		13326202		SHOULDER SCREW						1	
62		SM4040655SP		SCREW M4 L=6						1	
63		13326707		THREAD GUIDE						1	
64		WS0510002KN		SPRING WASHER						1	

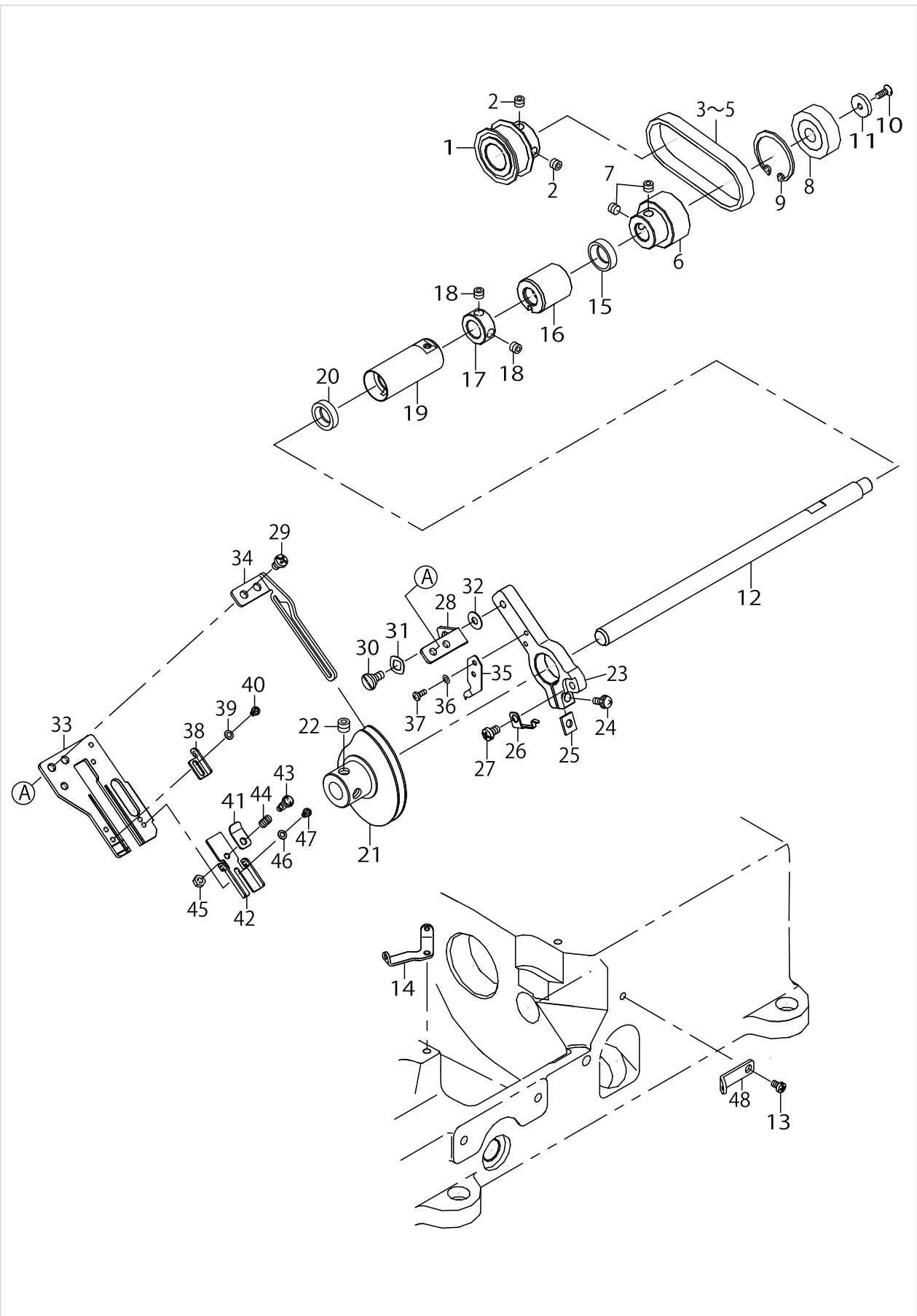
SPREADER COMPONENTS



SPREADER COMPONENTS

No.	Supply Code	Parts No.	Replacement	Parts name	Remarks	Choice	Step	Level	Cons	Qty	Rep. QTY
1		13328158		ASSY_UPPPER_LPR_MECH						1	
2		SM8050412TP		SCREW M5 L=4				*		2	
3		13328000		UPPER LOOPER ECCENTRIC				*		1	
4		13328109		CONNROD FOR UPPER LPR				*		1	
5		13328208		STUD				*		1	
6		SM6061402TP		SCREW M6 L=14						1	
7		13328406		UPPER LOOPER SHAFT						1	
8		13399209		COLLAR						1	
9		SM8040412TP		SET SCREW M4 L=4						2	
10		13329008		BUSHING REAR						1	
11		13329107		BUSHING FRONT						1	
12		13328554		ASSY_UPPER_LPR_MECH_2						1	
13		CQ303000000		OIL WICK				*		0.05	
14		SM9061050TP		SCREW M6 L=10				*		1	
15		SM8060612TP		SCREW M6 L=6				*		1	
16		13328505		CRANK ROD				*		1	
17		13328604		UPPER LOOPER ROCKER				*		1	
18		13328703		UP LPR SHAFT VERTICAL				*		1	
19		CS1000881TP		THRUST COLLAR						1	
20		SM8050412TP		SCREW M5 L=4						2	
21		13328802		UPPER LOOPER HOLDER						1	
22		SM6041200SP		SCREW M4 L=12						1	
23		13329404		UPPER LOOPER						1	
24		SM6040800SP		SCREW						1	
25		13328307		DRIVING ARM						1	
26		WP0550800SP		WASHER 5.5X10X0.8						1	
27		NM6050001SP		NUT M5						1	
28		13329206		BUSHING VERTICAL						1	
29		13338900		OIL SEAL						1	
30		WP1022016SH		WASHER						1	

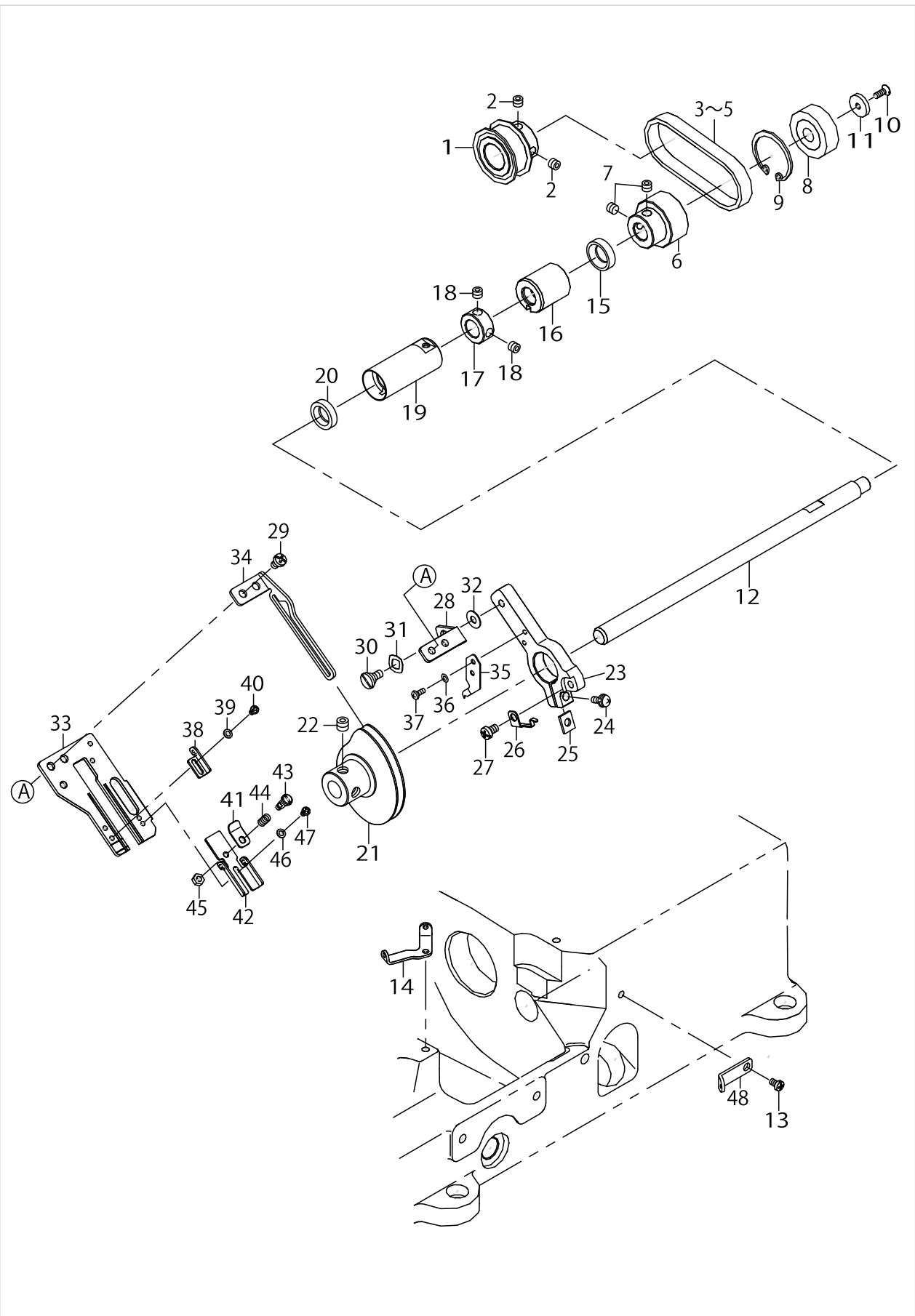
LOWER THREAD CAM COMPONENTS



LOWER THREAD CAM COMPONENTS

No.	Supply Code	Parts No.	Replacement	Parts name	Remarks	Choice	Step	Level	Cons	Qty	Rep. QTY
1		13331202		SPROCKET MAINTUP						1	
2		SM8050412TP		SCREW M5 L=4						2	
3		13332507		BELT TAKE UP A	SELECTIVE PARTS					1	
4		13333000		BELT TAKE UP B	SELECTIVE PARTS					1	
5		13333109		BELT TAKE UP C	SELECTIVE PARTS					1	
6		13331301		SPROCKET TAKE UP						1	
7		SM8050412TP		SCREW M5 L=4						2	
8		SB108002100		BEARING						1	
9		RC2800002KP		RETAINIG PIN						1	
10		SM1030800SM		SCREW M3X0.5 L=8						1	
11		13332606		WASHER TAKE UP						1	
12		13331400		SHAFT TAKE UP						1	
13		SM4040655SP		SCREW M4 L=6						1	
14		13333703		EYELET_D						1	
15	R	40020538	40023441	OIL_SEAL		A				1	1.00
15	R	40020538	40023481	OIL_SEAL		A				1	1.00
16		13331004		BUSHING A TAKE UP						1	
17		CS1000881TP		THRUST COLLAR						1	
18		SM8050412TP		SCREW M5 L=4						2	
19		40023481		BUSHING_B_TAKE_UP						1	
20		40023441		OIL_SEAL						1	
21		40019335		ASSY_TAKE_UP						1	
22		SM8060552TP		SCREW M6 L=5						2	
23		13332309		BASE TAKEUP PLATE						1	
24		SL4041281SC		SCREW M4X0.7 L=12						1	
25		13333208		WASHER						1	
26		13332903		SPRING						1	
27		SM4040655SP		SCREW M4 L=6						1	
28		13332804		BRACKET						1	
29		SM4040655SP		SCREW M4 L=6						2	
30		SD0640246SP		HINGE SCREW D=6.35 H=2.4						1	
31		WZ0641510KP		WAVED WASHER 6.4X11X0.3						1	
32		WP0410516SD		PLAIN WASHER						1	
33		13332002		TAKE UP PLATE						1	
34		40023042		THREAD_GUIDE						1	
35		40056591		THREAD_CATCHER						1	
36		WP0280501SC		WASHER M2.6						2	
37		SM4850455SP		SCREW						2	
38		13332101		EYELET A						1	
39		WP0280500SC		WASHER						1	
40		SM4850455SP		SCREW						1	
41		13333307		LPR THD DISC UPPER						1	
42		13333406		LPR THD GUIDE BASE						1	
43		13333505		TENSION POST						1	
44		13333604		LOOPERCAMSPRING						1	
45		NM6030001SN		NUT						1	

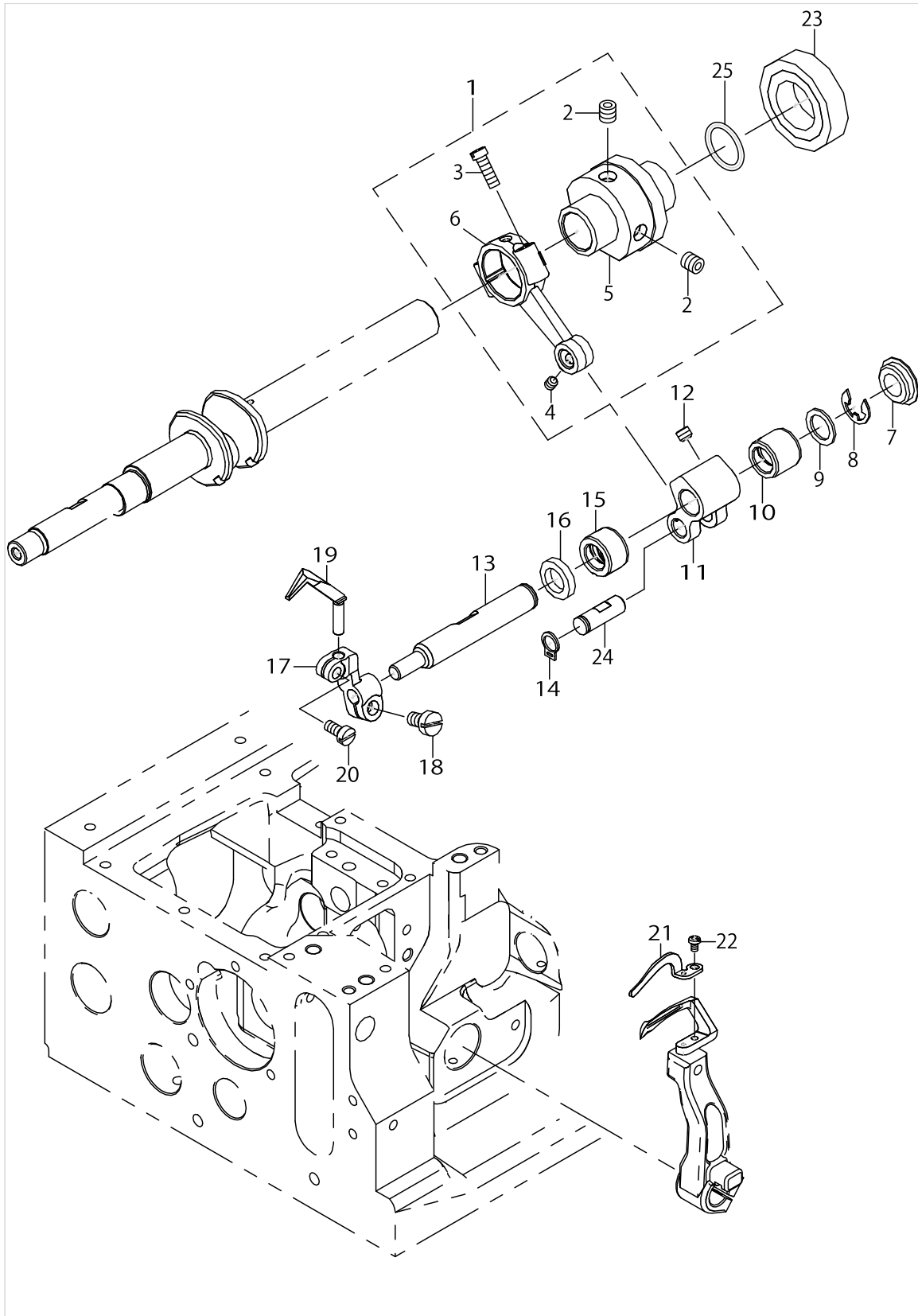
LOWER THREAD CAM COMPONENTS



LOWER THREAD CAM COMPONENTS

No.	Supply Code	Parts No.	Replacement	Parts name	Remarks	Choice	Step	Level	Cons	Qty	Rep. QTY
46		WP0280500SC		WASHER						1	
47		SM4850455SP		SCREW						1	
48		13332705		EYELET C						1	

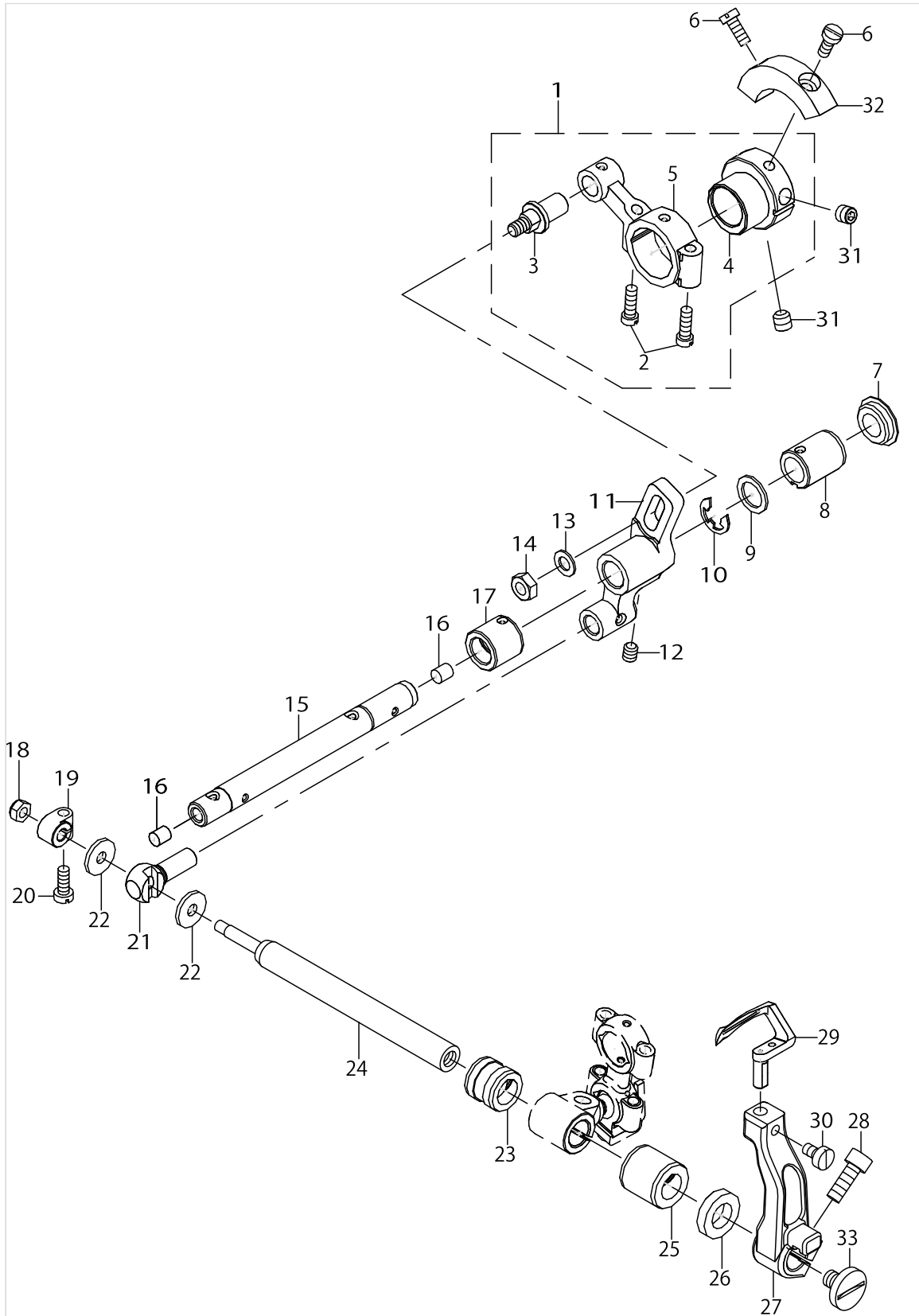
NEEDLE GUARD COMPONENTS



NEEDLE GUARD COMPONENTS

No.	Supply Code	Parts No.	Replacement	Parts name	Remarks	Choice	Step	Level	Cons	Qty	Rep. QTY
1		40018947		NDL_GUARD_CAM_ASSY						1	
2		SM8060612TP		SCREW M6 L=6				*		2	
3		SM6041202TP		SCREW M4X0.7 L=12				*		2	
4		SM8040412TP		SET SCREW M4 L=4				*		1	
5		40018923		NDL_GUARD_CAM				*		1	
6	R	13334107	40018947	NDL GUARD CONN ROD				*		1	1.00
7		TA1600406R0		PRUG						1	
8		RE0700000K0		E-RING 7						1	
9		WP1021026SH		WASHER						1	
10		13334909		BUSHING NDL GUARD A						1	
11		13334206		NDL GUARD DRIVE LEVER						1	
12		SM8050412TP		SCREW M5 L=4						2	
13		13334404		SHAFT NEEDLE GUARD						1	
14		RC0650811KP		RETAINING RING						1	
15		13335005		BUSHING NDL GUARD B						1	
16		13335203		OIL SEAL						1	
17		13334503		REAR NDL GUARD HOLDER						1	
18		SM6050800SP		SCREW M5 L=8						1	
19		13334602		REAR NDL GUARD						1	
20		SM6040800SP		SCREW						1	
21		13334701		FRONT NDL GUARD						1	
22		SM4850455SP		SCREW						1	
23		SB120001500		BEARING						1	
24		13334305		PIN NDL GUARD						1	
25		RO148240200		RUBBER RING						1	

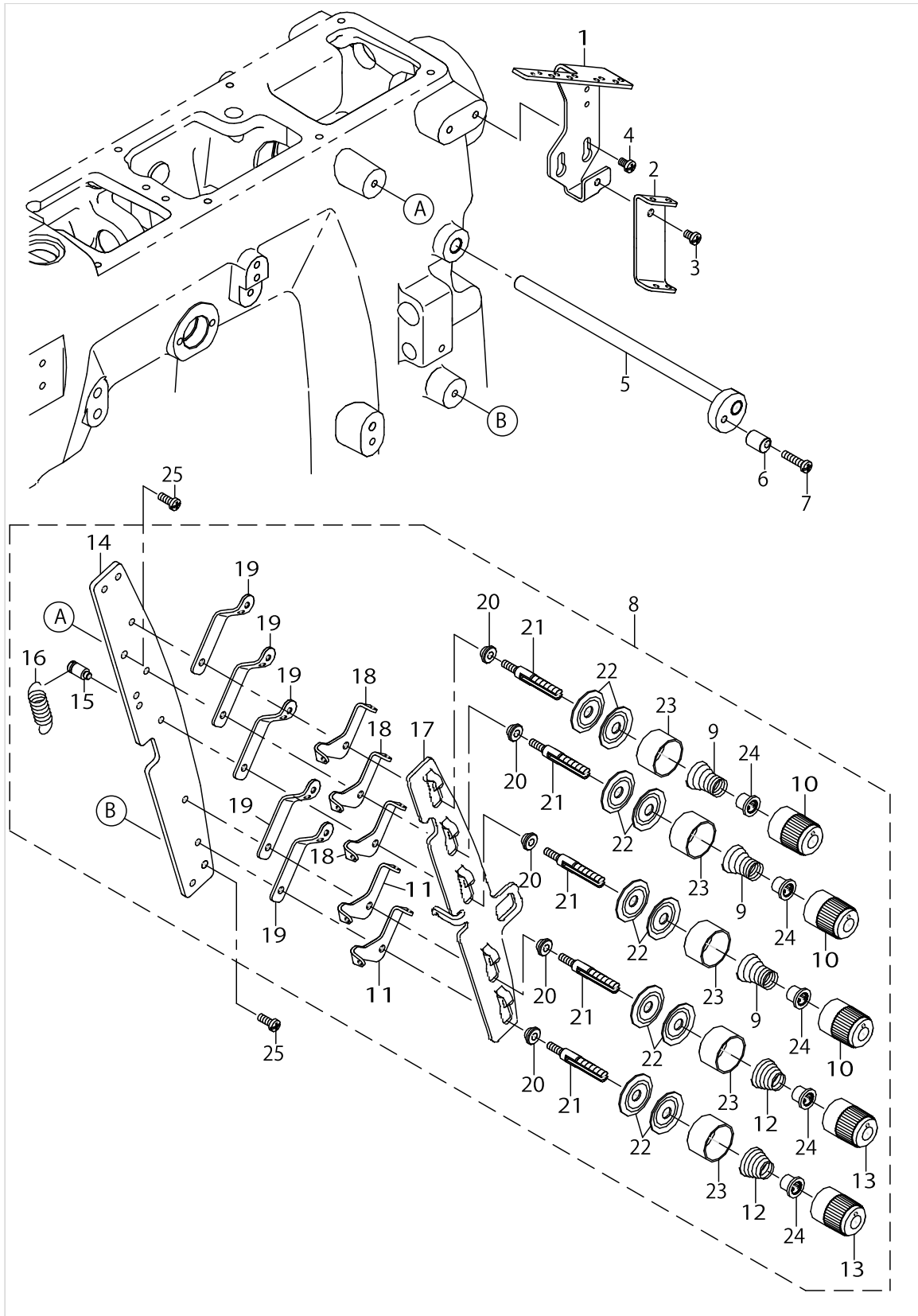
LOOPER COMPONENTS



LOOPER COMPONENTS

No.	Supply Code	Parts No.	Replacement	Parts name	Remarks	Choice	Step	Level	Cons	Qty	Rep. QTY
1		13337357		ECC_LOOPER_AVOID_ASSY						1	
2		SM6041202TP		SCREW M4X0.7 L=12				*		2	
3		13337506		PIN LOOPER AVOID				*		1	
4	R	13337308	13337357	ECC LOOPER AVOID				*		1	1.00
5	R	13337407	13337357	LOOPER ROD AVOID				*		1	1.00
6		SM6041000SP		SCREW M4 L=10						2	
7		TA1600406R0		PRUG						1	
8		13338702		BUSHING LPR RIGHT						1	
9		WP1021026SH		WASHER						1	
10		RE0700000K0		E-RING 7						1	
11		13337605		CRANK LOOPER AVOID						1	
12		SM8050612TP		SCREW M5X6						1	
13		WP0550800SP		WASHER 5.5X10X0.8						1	
14		NM6050001SP		NUT M5						2	
15		13338504		LOOPER SHAFT AVOID						1	
16		TA0500601M0		PLUG D=5X5.4 L=6						2	
17		13338603		BUSHING LPR LEFT						1	
18		13338306		LOCK NUT						1	
19		13337704		COLLAR LOOPER AVOID						1	
20		SM6041000SP		SCREW M4 L=10						1	
21		13337803		LOOPER AVOID PIN						1	
22		WP0461516SH		WASHER						2	
23		13338009		BUSHING LPR SHAFT REAR						1	
24		40050448		LOOPER_SHAFT						1	
25		13338108		BUSHING LPR SHAFT FRT						1	
26		13338900		OIL SEAL						1	
27		40050449		LOOPER HOLDER						1	
28		SM6051402TP		SCREW M5X0.8 L=14						1	
29		13337902		LOOPER						1	
30		SM6040750TP		SCREW M4 L=7						1	
31		SM8060612TP		SCREW M6 L=6						2	
32		13338801		BALANCE_WEIGHT_LP						1	
33		40052522		SCREW						1	

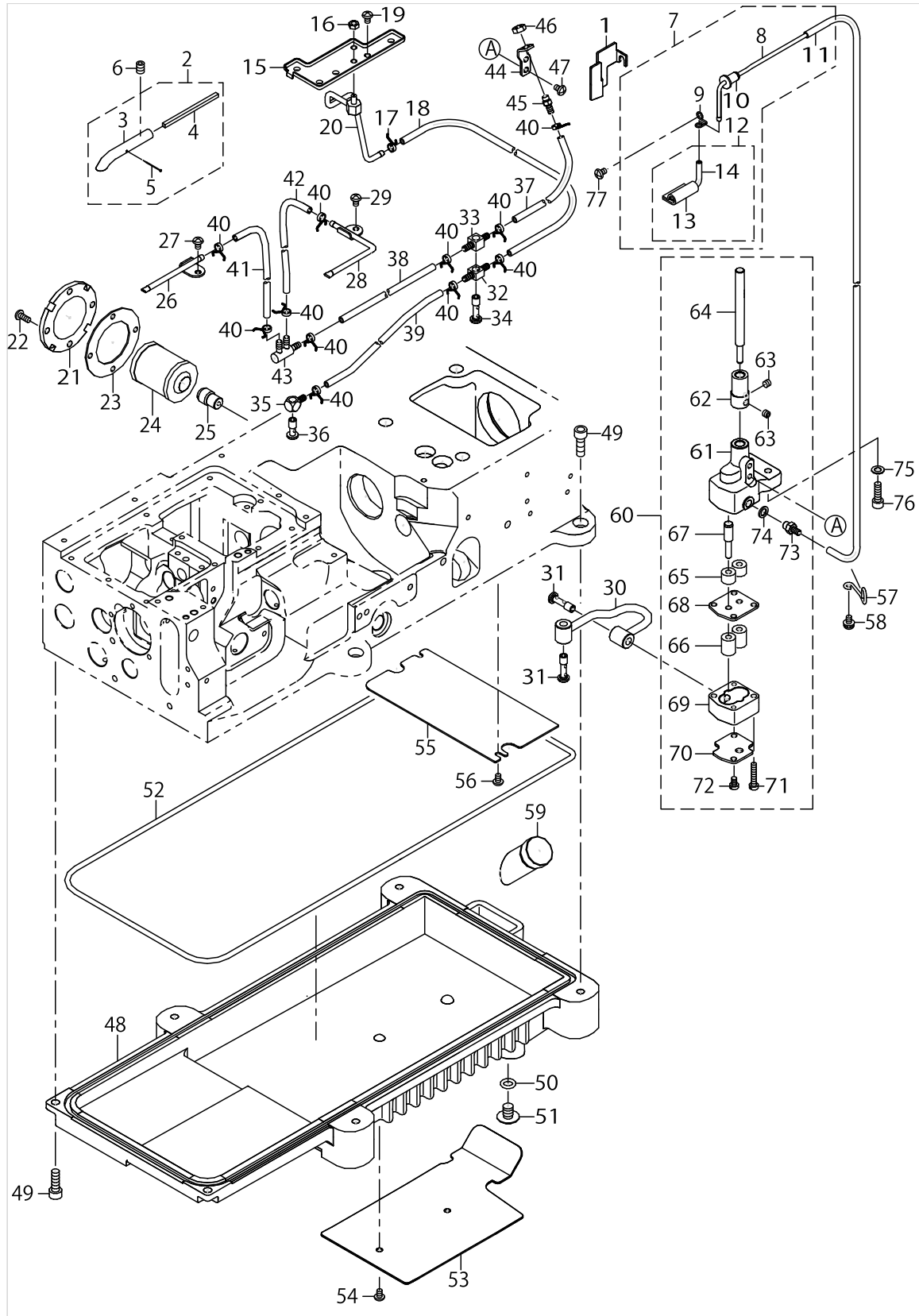
THREAD TENSION COMPONENTS



THREAD TENSION COMPONENTS

No.	Supply Code	Parts No.	Replacement	Parts name	Remarks	Choice	Step	Level	Cons	Qty	Rep. QTY
1		13340005		THREAD GUIDE PLATE						1	
2		13340104		THREAD GUIDE						1	
3		SM4040655SP		SCREW M4 L=6						1	
4		SM4040655SP		SCREW M4 L=6						2	
5		13341359		ASSY PULL OFF LEVER						1	
6		13341409		TENS RELEASE ADJ ECC						1	
7		SM4041655SP		SCREW M4 L=16						1	
8		40066136		THREAD_TENSION_ASSY						1	
9		13140504		TENSION SPRING				*		3	
10	R	13340906	40042364	KNOB GREEN		B	系調子ナット(緑)対策品/TENSION NUT(green) countermeasure parts	*		3	1.00
10	R	13340906	40042366	KNOB GREEN		B	系調子ナット(緑)対策品/TENSION NUT(green) countermeasure parts	*		3	1.00
10	R	13340906	40042362	KNOB GREEN		B	系調子ナット(緑)対策品/TENSION NUT(green) countermeasure parts	*		3	1.00
10	R	13340906	40042365	KNOB GREEN		B	系調子ナット(緑)対策品/TENSION NUT(green) countermeasure parts	*		3	1.00
10	R	13340906	40066136	KNOB GREEN				*		3	1.00
11		13340500		TENSION DISC EYELET				*		2	
12	R	B3121804000	40102003	TENSION SPRING				*		2	1.00
13		40042363		KNOB				*		2	
14		13340203		TENSION POST SUPPORT				*		1	
15		13340302		SHOULDER SCREW				*		1	
16		B2008372000		THREAD TENSION SPRING				*		1	
17		40065784		TENSION_DISC_SEPARATOR				*		1	
18	R	13341607	40040066	TENSION_DISC_EYELET_2		B	MF-7724-U10-D60	*		3	1.00
18	R	13341607	40066136	TENSION_DISC_EYELET_2				*		3	1.00
19		13340609		THREAD LEAD IN GUIDE				*		5	
20		13340708		SPACER				*		5	
21		40042362		TENSION POST				*		5	
22		13138201		THREAD TENSION DISK				*		10	
23		40042366		THREAD TENSION DISK PRESSER				*		5	
24		40042365		SPRING BUSHING				*		5	
25		SM4041055SP		SCREW				*		2	

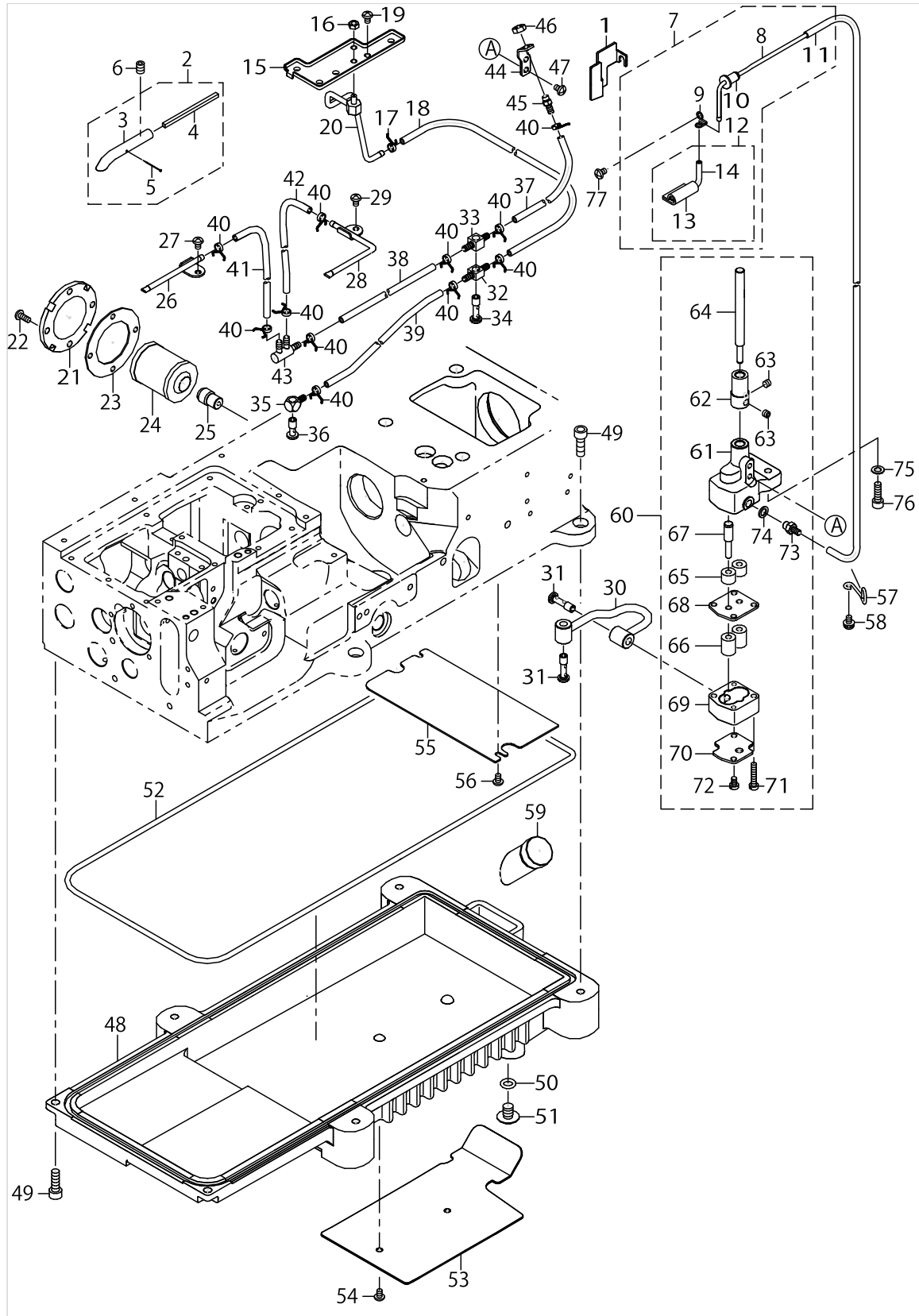
LUBRICATION COMPONENTS



LUBRICATION COMPONENTS

No.	Supply Code	Parts No.	Replacement	Parts name	Remarks	Choice	Step	Level	Cons	Qty	Rep. QTY
1		13343900		OIL_PROTECTION_SHIELD						1	
2		13343652		ASSY_OIL_TUBE						1	
3		13343603		OIL TUBE				*		1	
4		13344205		FELT_FOR_HEAD_LUB				*		1	
5		11856101		NEEDLE COOLER PIN				*		1	
6		SM8060812TP		SCREW M6 L=8						1	
7		13344056		ASSY_HEAD_SUCTION						1	
8		13344601		SUCTION PIPE				*		1	
9		13344502		PIPE CLAMP				*		1	
10		13344700		BUSHING FOR SUCTION				*		1	
11		23630007		TUBE				*		0.43	
12	R	13344155	13344056	FELT_FOR_HEAD_SUCTION_2				*		1	1.00
13		40019163		FELT_FOR_HEAD_SUCTION				*		1	
14		13346408		OIL_TUBE FOR SUCTION				*		1	
15		40028110		OIL_SAUCER						1	
16		NM6040001SP		NUT M4X0.7						1	
17		23629306		PIPE STOPPER A						1	
18		BP30000010R		VINYL PIPE						.5	
19		SM4040655SP		SCREW M4 L=6						2	
20		13345053		ASSY_OIL_SUPPLY_FOR_TOP						1	
21		13345202		FILTER_COVER						1	
22		SM4041055SP		SCREW						4	
23		13344809		GASKET O						1	
24		13142500		CARTRIDGE FILTER						1	
25		13343801		FITTING FILTER						1	
26		13346556		ASSY_OIL_SUPPLY						1	
27		SM4040655SP		SCREW M4 L=6						1	
28		13345855		OIL_SUPPLY_ASSY						1	
29		SM4040655SP		SCREW M4 L=6						1	
30		13346259		ASSY_OIL_PIPE						1	
31		SQ2060442SD		CONNECTING SCREW						2	
32		SQ0000454MZ		CONNECTING SCREW						1	
33		SQ0000453MZ		CONNECTING SCREW						1	
34		SQ2060442SD		CONNECTING SCREW						1	
35		SQ0000452MZ		CONNECTING SCREW						1	
36		SQ2060441SD		CONNECTING SCREW						1	
37		BP30000010R		VINYL PIPE						.14	
38		BP30000010R		VINYL PIPE						.12	
39		BP30000010R		VINYL PIPE						.19	
40		23629306		PIPE STOPPER A						11	
41		BP30000010R		VINYL PIPE						.13	
42		BP30000010R		VINYL PIPE						.11	
43		23629504		DISTRIBUTOR						1	
44		13346705		CONNECTING_SCR_BRACKET						1	
45		SQ2050452MZ		CONNECTING SCREW						1	
46		NM6050001SP		NUT M5						1	

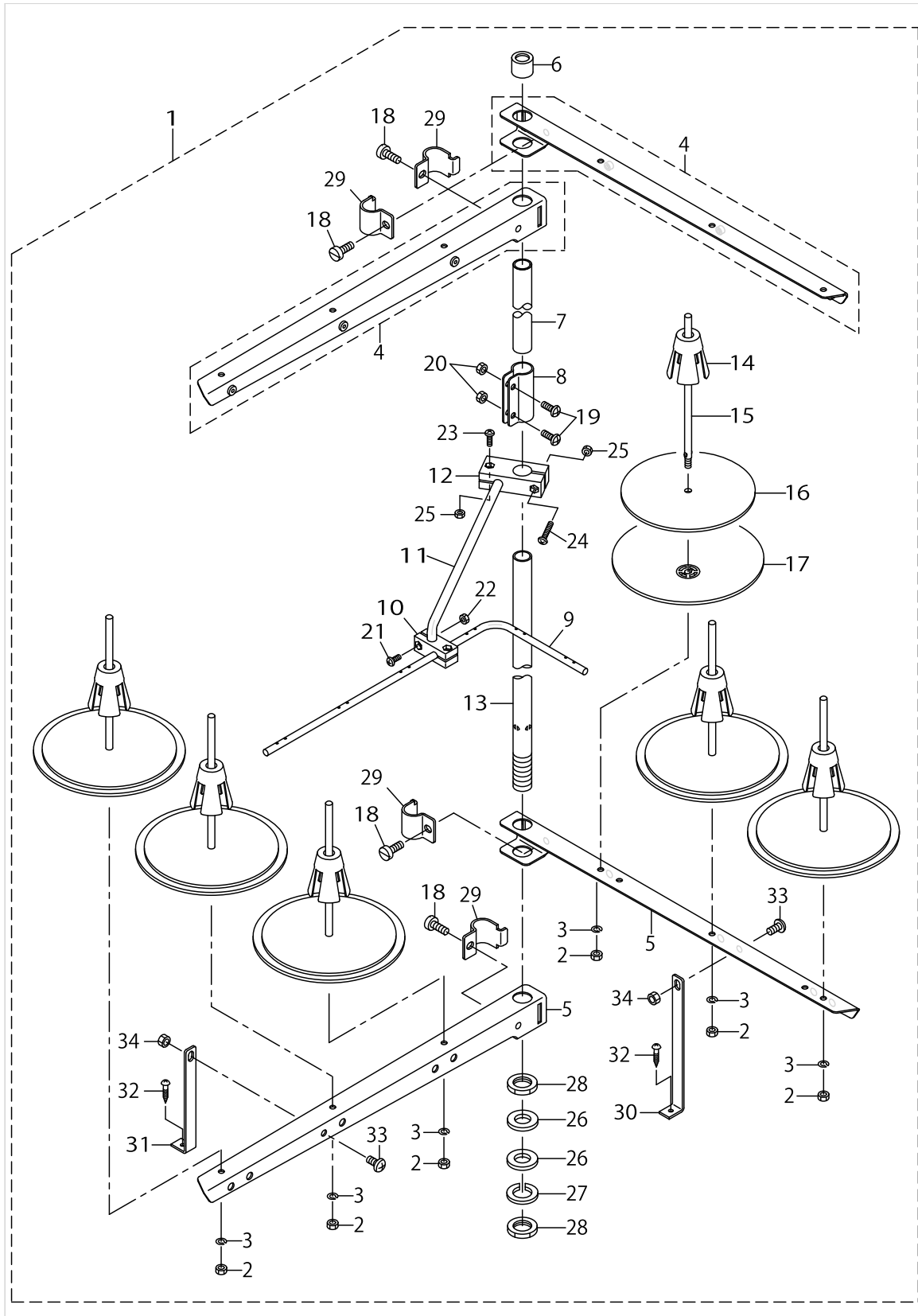
LUBRICATION COMPONENTS



LUBRICATION COMPONENTS

No.	Supply Code	Parts No.	Replacement	Parts name	Remarks	Choice	Step	Level	Cons	Qty	Rep. QTY
47		SM4040655SP		SCREW M4 L=6						2	
48		13345509		OIL PAN						1	
49		SM6061802TP		SCREW M6 L=18						6	
50		13170105		RUBBER RING						1	
51		SM0081001SD		SCREW						1	
52		13345608		O RING						1	
53		13346309		BREEZE_PLATE						1	
54		SM4040655SP		SCREW M4 L=6						2	
55		13345905		COVER PLATE						1	
56		SM4040655SP		SCREW M4 L=6						2	
57		13346606		OIL_TUBE HOLDER						1	
58		SL4040805SC		SCREW						1	
59		13346101		OIL SIGHT GAUGE						1	
60		13345459		ASSY_PUMP_2-STAGE						1	
61	R	13343108	13345459	OIL PUMP HOUSING		A	MF-7700	*		1	1.00
61	R	13343108	13426051	OIL PUMP HOUSING		B	MF-7800	*		1	1.00
62		13343009		WORM WHEEL				*		1	
63		SM8050412TP		SCREW M5 L=4				*		2	
64	R	13345400	13345459	OIL PUMP SHAFT LARGE				*		1	1.00
65		13228309		PINION GEAR, SMALL				*		2	
66		13228200		OIL PUMP PINION, LARGE				*		2	
67		13227905		GEAR PUMP SHAFT, SMALL				*		1	
68	R	13343405	13345459	OIL PUMP SPACER		A	MF-7700	*		1	1.00
68	R	13343405	13426051	OIL PUMP SPACER		B	MF-7800	*		1	1.00
69	R	13343207	13345459	OIL PUMP CASING		A	MF-7700	*		1	1.00
69	R	13343207	13426051	OIL PUMP CASING		B	MF-7800	*		1	1.00
70	R	13343306	13345459	OIL PUMP COVER		A	MF-7700	*		1	1.00
70	R	13343306	13426051	OIL PUMP COVER		B	MF-7800	*		1	1.00
71		SM6042000SP		SCREW				*		2	
72		SM6040600SP		SCREW M4 L=6				*		2	
73		SQ2060451MZ		CONNECTINGSCREW				*		1	
74		40004749		GASCKET				*		1	
75		WP0550800SP		WASHER 5.5X10X0.8						2	
76		SM6051602TP		SCREW M5X0.8 L=16						2	
77		SM4040655SP		SCREW M4 L=6						1	

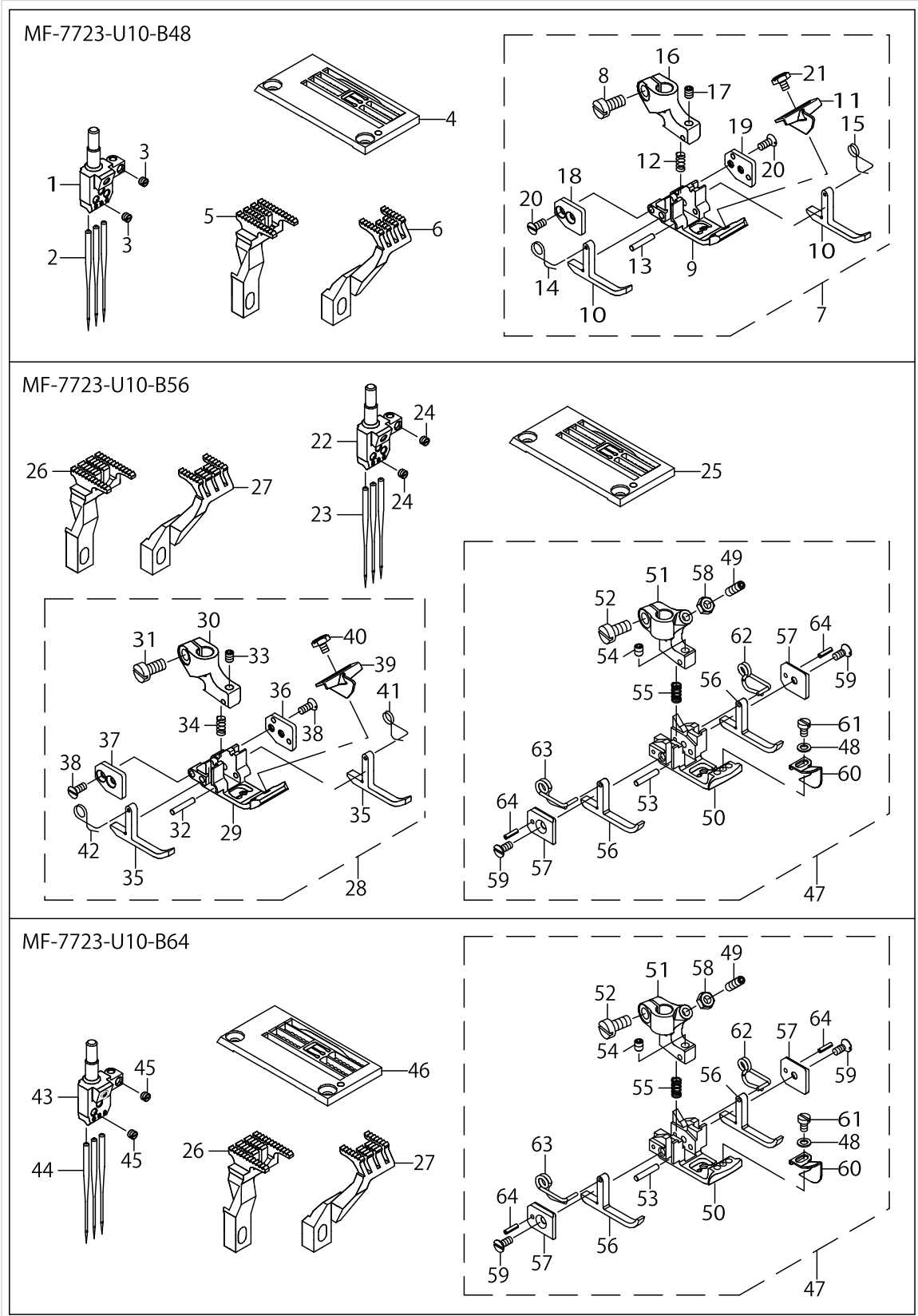
THREAD STAND COMPONENTS



THREAD STAND COMPONENTS

No.	Supply Code	Parts No.	Replacement	Parts name	Remarks	Choice	Step	Level	Cons	Qty	Rep. QTY
1		40072506		THREAD_STAND_ASM.						1	
2		NM6050001SE		NUT M5				*		6	
3		WS0510002KN		SPRING WASHER				*		6	
4		13168356		THREAD STANDING ARM ASM. ,LONG				*		2	
5		13168802		THREAD STANDING ARM ,LONG				*		2	
6		22931406		THREAD STANDING ROD RUBBER CAP				*		1	
7	R	22930408	40096354	THREAD STANDING ROD, UPPER				*		1	1.00
8	R	22931307	40096354	THREAD STANDING ROD JOINT				*		1	1.00
9	R	13167903	26910059	THREAD GUIDE				*		1	1.00
10	D R	13168000	26910059	THREAD GUIDE BASE, LOWER				*		1	1.00
11		40056675		THREAD_GUIDE_ARM_BASE				*		1	
12	R	13168208	26910059	THREAD GUIDE ARM BASE				*		1	1.00
13	R	22930309	40096354	THREAD STANDING ROD, LOWER				*		1	1.00
14	R	22931109	40085791	SPOOL RETAINER				*		6	1.00
15	R	22931000	40085790	SPOOL PIN				*		6	1.00
16		22930903		SPOOL REST CUSHION				*		6	
17		22930804		SPOOL REST				*		6	
18		SM6061610SC		SCREW M6 L=16				*		4	
19		SM4051405SE		SCREW M5 L=14				*		2	
20		NM6050001SE		NUT M5				*		2	
21		SM4041001SC		SCREW M4X0.7 L=10				*		2	
22		NM6040002SE		NUT M4X0.7				*		2	
23		SM4041201SC		SCREW M4 L=12				*		1	
24		SM4042001SC		SCREW M4 X 20				*		1	
25		NM6040002SE		NUT M4X0.7				*		2	
26		WP1612616SE		WASHER 16X30X2.6				*		2	
27	R	WS1643202KR	WP1612616SE	SPRING WASHER		A		*		1	2.00
27	R	WS1643202KR	40085796	SPRING WASHER		A		*		1	2.00
28		NM6160511SE		NUT M16X1.5				*		2	
29	R	22930705	40096354	THREAD GUIDE ARM JOINT				*		4	1.00
30		13168505		THREAD STANDING ARM SUPPORT B				*		1	
31		13168406		THREAD STANDING ARM SUPPORT A				*		1	
32		SK3382001SE		SCREW D=3.8 L=20				*		2	
33		SM4061201SE		SCREW M6 L=12				*		2	
34		NM6060001SE		NUT M6				*		2	

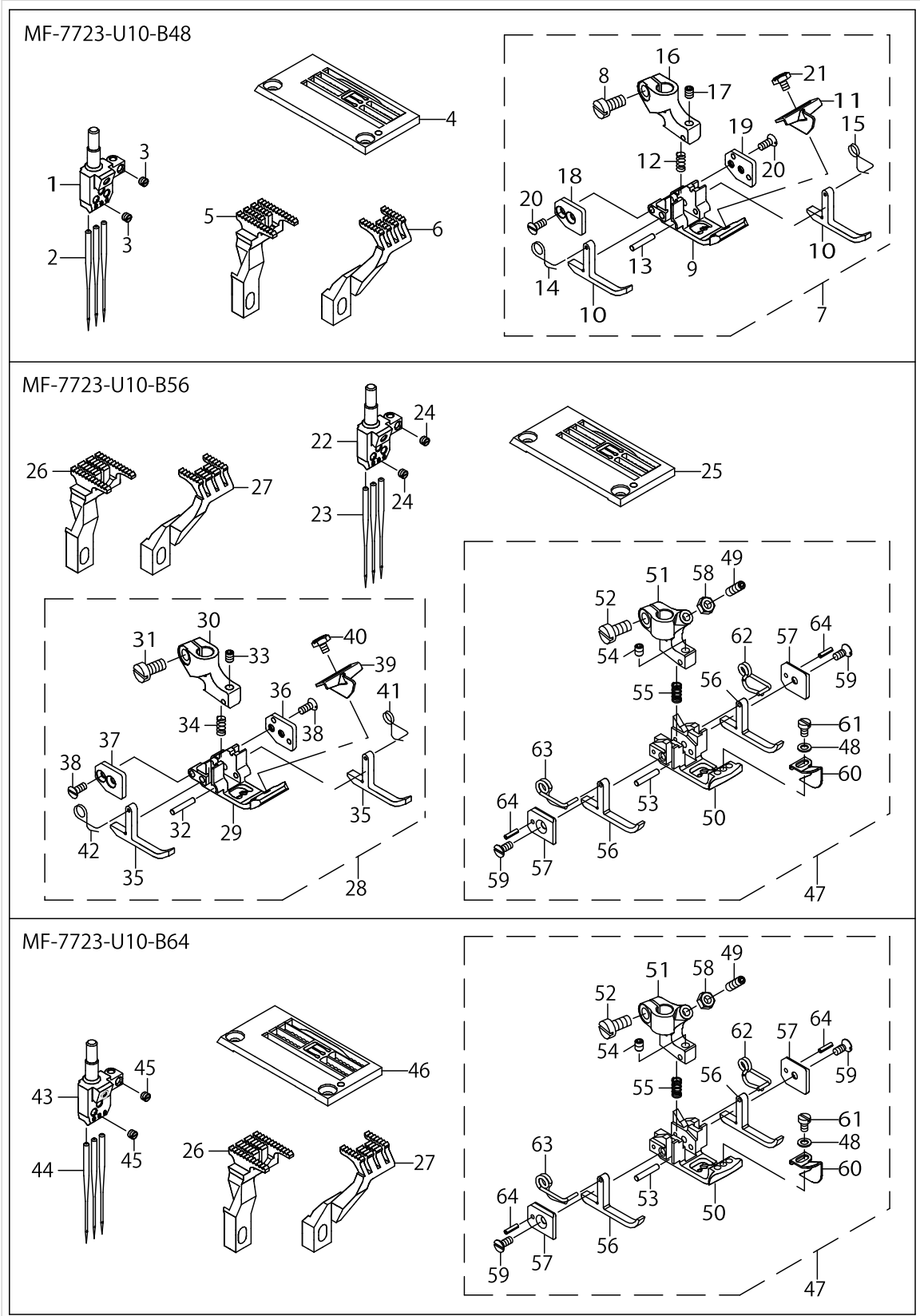
GAUGE PARTS COMPONENTS (1) (FOR MF-7700-U10)



GAUGE PARTS COMPONENTS (1) (FOR MF-7700-U10)

No.	Supply Code	Parts No.	Replacement	Parts name	Remarks	Choice	Step	Level	Cons	Qty	Rep. QTY
1		13350202		NEEDLE_HEAD_48						1	
2		MUY128S1000		NEEDLE UYX128GAS #10						3	
3		SM8030350TP		SCREW						4	
4		40040514		THROAT PLATE						1	
5		13354204		MAIN FEED DOG						1	
6		13358304		DIFF_FEED_DOG						1	
7		13376058		PRESSER_FOOT_ASSY						1	
8		SM6040800SP		SCREW				*		1	
9	R	13376009	13376058	PRESSER_FOOT_BOTTOM				*		1	1.00
10	R	13375100	13375050	P_F_YIELDING_SECTION		A	A:MF-7723-U10-B56	*		2	1.00
10	R	13375100	13376058	P_F_YIELDING_SECTION		B	B:MF-7723-U10-B48	*		2	1.00
10	R	13375100	40049394	P_F_YIELDING_SECTION		C	C:PRESSER for 7724-D60	*		2	1.00
11		13376900		PRESSER_FOOT_GUIDE				*		1	
12		13377106		SPRING				*		1	
13		13375209		PIVOT_PIN				*		1	
14		13375308		SPRING_L				*		1	
15		13375407		SPRING_R				*		1	
16	R	13375506	13375050	PRESSER_FOOT_HINGE		A	A:MF-7723-U10-B56	*		1	1.00
16	R	13375506	13376058	PRESSER_FOOT_HINGE		B	B:MF-7723-U10-B48	*		1	1.00
16	R	13375506	40049394	PRESSER_FOOT_HINGE		C	C:PRESSER for 7724-D60	*		1	1.00
17		SM8030412TP		SCREW				*		1	
18	R	13375605	13375050	GUIDE_PLATE_L		A	A:MF-7723-U10-B56	*		1	1.00
18	R	13375605	13376058	GUIDE_PLATE_L		B	B:MF-7723-U10-B48	*		1	1.00
18	R	13375605	40049394	GUIDE_PLATE_L		C	C:PRESSER for 7724-D60	*		1	1.00
19	R	13375704	13375050	GUIDE_PLATE_R		A	A:MF-7723-U10-B56	*		1	1.00
19	R	13375704	13376058	GUIDE_PLATE_R		B	B:MF-7723-U10-B48	*		1	1.00
19	R	13375704	40049394	GUIDE_PLATE_R		C	C:PRESSER for 7724-D60	*		1	1.00
20		SM1850600SP		SCREW				*		4	
21		13377007		SCREW				*		1	
22		13350301		NEEDLE_HEAD_56						1	
23		MUY128S1000		NEEDLE UYX128GAS #10						3	
24		SM8030350TP		SCREW						4	
25		40058033		THROAT_PLATE						1	
26		13353701		MAIN_FEED_DOG						1	
27		13357603		DIFF_FEED_DOG						1	
28		13375050		PRESSER_FOOT_ASSY	TYPE TURKEY					1	
29	R	13375001	13375050	PRESSER_FOOT_BOTTOM				*		1	1.00
30	R	13375506	13375050	PRESSER_FOOT_HINGE		A	A:MF-7723-U10-B56	*		1	1.00
30	R	13375506	13376058	PRESSER_FOOT_HINGE		B	B:MF-7723-U10-B48	*		1	1.00
30	R	13375506	40049394	PRESSER_FOOT_HINGE		C	C:PRESSER for 7724-D60	*		1	1.00
31		SM6040800SP		SCREW				*		1	

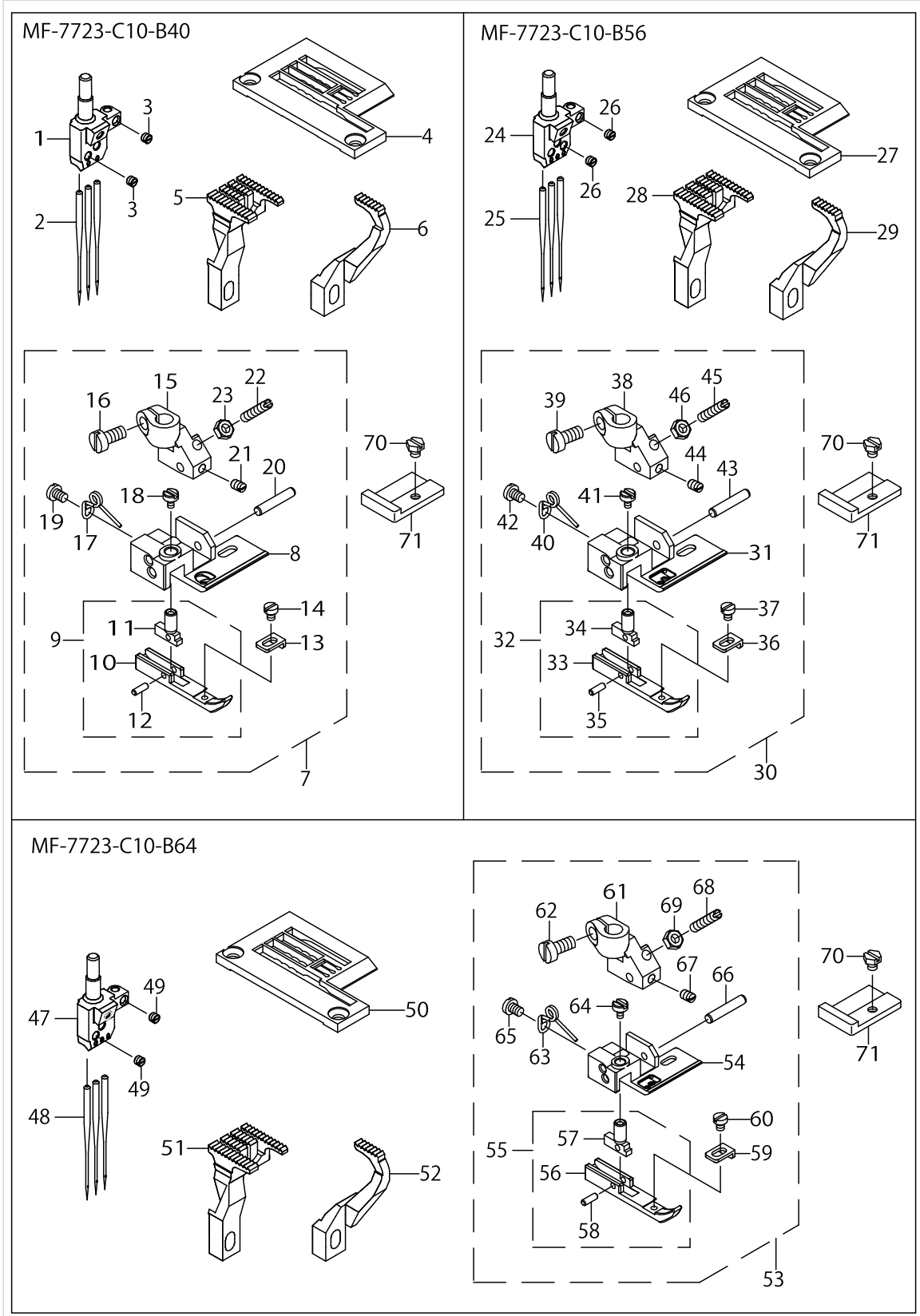
GAUGE PARTS COMPONENTS (1) (FOR MF-7700-U10)



GAUGE PARTS COMPONENTS (1) (FOR MF-7700-U10)

No.	Supply Code	Parts No.	Replacement	Parts name	Remarks	Choice	Step	Level	Cons	Qty	Rep. QTY
32		13375209		PIVOT_PIN				*		1	
33		SM8030412TP		SCREW				*		1	
34		13377106		SPRING				*		1	
35	R	13375100	13375050	P_F_YIELDING_SECTION		A	A:MF-7723-U10-B56	*		2	1.00
35	R	13375100	13376058	P_F_YIELDING_SECTION		B	B:MF-7723-U10-B48	*		2	1.00
35	R	13375100	40049394	P_F_YIELDING_SECTION		C	C:PRESSER for 7724-D60	*		2	1.00
36	R	13375704	13375050	GUIDE_PLATE_R		A	A:MF-7723-U10-B56	*		1	1.00
36	R	13375704	13376058	GUIDE_PLATE_R		B	B:MF-7723-U10-B48	*		1	1.00
36	R	13375704	40049394	GUIDE_PLATE_R		C	C:PRESSER for 7724-D60	*		1	1.00
37	R	13375605	13375050	GUIDE_PLATE_L		A	A:MF-7723-U10-B56	*		1	1.00
37	R	13375605	13376058	GUIDE_PLATE_L		B	B:MF-7723-U10-B48	*		1	1.00
37	R	13375605	40049394	GUIDE_PLATE_L		C	C:PRESSER for 7724-D60	*		1	1.00
38		SM1850600SP		SCREW				*		4	
39		13376900		PRESSER_FOOT_GUIDE				*		1	
40		13377007		SCREW				*		1	
41		13375407		SPRING_R				*		1	
42		13375308		SPRING_L				*		1	
43		13350400		NEEDLE_HEAD_64						1	
44		MUY128S1000		NEEDLE UYX128GAS #10						3	
45		SM8030350TP		SCREW						4	
46		40040513		THROAT PLATE						1	
47		40082974		PRESSER_FOOT_ASSY	EXCEPT T-TYPE TURKEY					1	
48		WP0280500SC		WASHER				*		1	
49		SM8031002TP		SCREW				*		1	
50	R	40082975	40082974	PRESSER_FOOT_BOTTOM				*		1	1.00
51		40070224		PRESSER_FOOT_HINGE				*		1	
52		SM6040800SP		SCREW				*		1	
53		13375209		PIVOT_PIN				*		1	
54		SM8030412TP		SCREW				*		1	
55		13377106		SPRING				*		1	
56		40070226		P_F_YIELDING_SECTION				*		2	
57		40070227		GUIDE_PLATE				*		2	
58		NM6030001SD		NUT M3X0.5				*		1	
59		SM1850600SP		SCREW				*		2	
60		40070231		PRESSER_FOOT_GUIDE				*		1	
61		SM6850400SP		SCREW M2.5 L=4				*		1	
62		40070230		SPRING_R				*		1	
63		40070229		SPRING_L				*		1	
64		PS0150065KP		SPRING PIN 1.5X6				*		2	

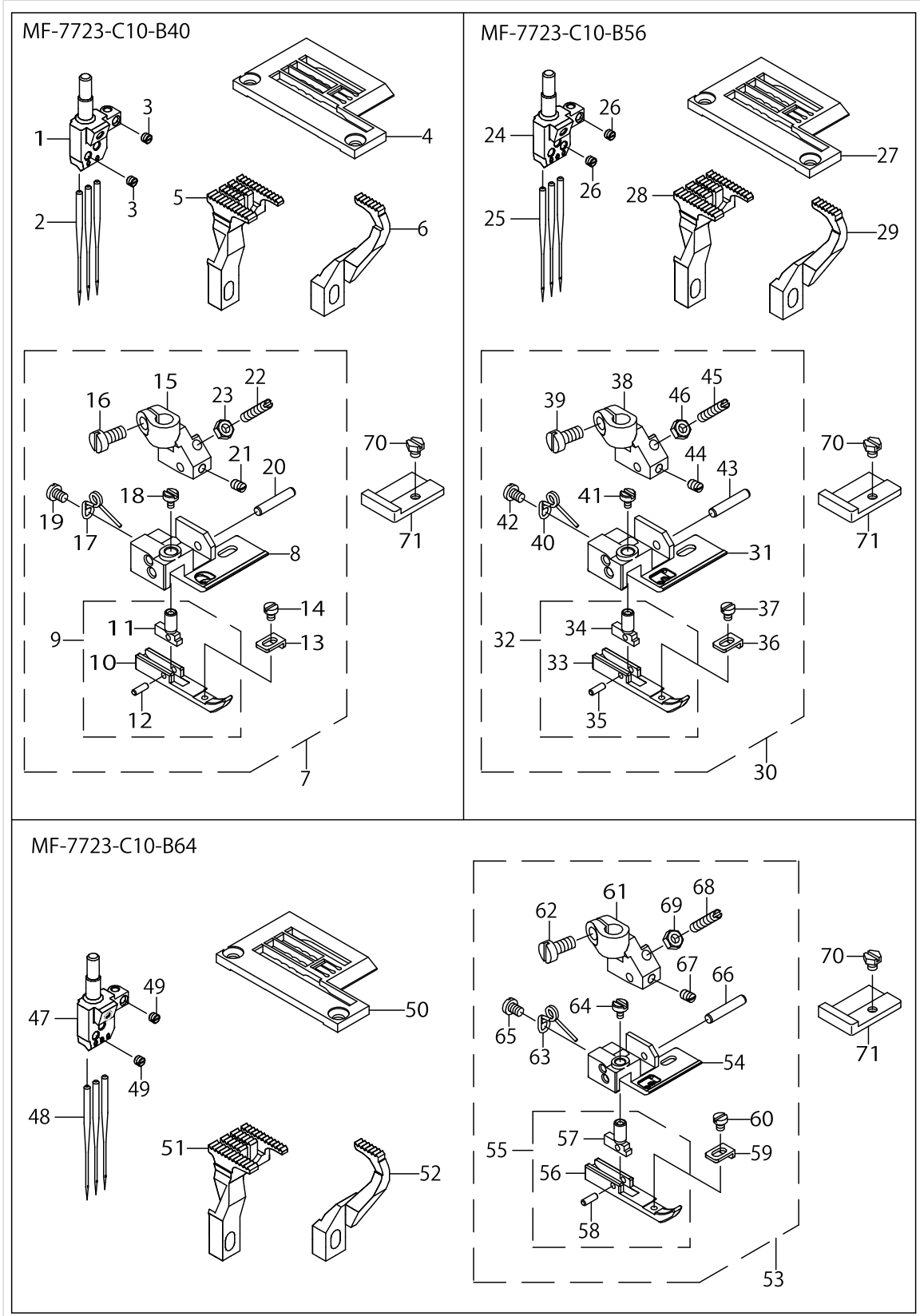
GAUGE PARTS COMPONENTS (2) (FOR MF-7700-C10)



GAUGE PARTS COMPONENTS (2) (FOR MF-7700-C10)

No.	Supply Code	Parts No.	Replacement	Parts name	Remarks	Choice	Step	Level	Cons	Qty	Rep. QTY
1		13350103		NEEDLE_HEAD_40						1	
2		MUY128S1000		NEEDLE UYX128GAS #10						2	
3		SM8030350TP		SCREW						3	
4		13351408		THROAT_PLATE						1	
5		13353800		MAIN_FEED_DOG						1	
6		13357702		DIFF_FEED_DOG						1	
7		40056504		PRESSER_FOOT_ASSEMBLY						1	
8		40056505		PRESSER_FOOT_BOTTOM_40				*		1	
9		40056412		YIELDING_SECTION_ASSEMBLY				*		1	
10		40056403		YIELDING_SECTION				*		1	
11		13377205		YIELDING_SECTION_SHANK				*		1	
12		13377304		PIVOT_PIN				*		1	
13		40056404		PRESSER_FOOT_GUIDE				*		1	
14		SM6850300SP		SCREW M2.5 L=3				*		1	
15		13376504		PRESSER_FOOT_SHANK				*		1	
16		SM6040800SP		SCREW				*		1	
17		13376603		YIELDING_SECTION_SPRING				*		1	
18	R	13376702	13376157	THREAD_SPRING_SCREW				*		1	1.00
19		SM4030455SP		SCREW				*		1	
20		PH0300162C0		PARALLEL PIN 3X16				*		1	
21		SM8030500SP		SCREW				*		1	
22		13376801		SCREW_FOR_PRESSER_FOOT				*		1	
23		NM6030001SD		NUT M3X0.5				*		1	
24		13350301		NEEDLE_HEAD_56						1	
25		MUY128S1000		NEEDLE UYX128GAS #10						3	
26		SM8030350TP		SCREW						4	
27		13351606		THROAT_PLATE						1	
28		13353909		MAIN_FEED_DOG						1	
29		13357801		DIFF_FEED_DOG						1	
30		40056410		PRESSER_FOOT_ASSEMBLY						1	
31		40056405		PRESSER_FOOT_BOTTOM_56				*		1	
32		40056412		YIELDING_SECTION_ASSEMBLY				*		1	
33		40056403		YIELDING_SECTION				*		1	
34		13377205		YIELDING_SECTION_SHANK				*		1	
35		13377304		PIVOT_PIN				*		1	
36		40056404		PRESSER_FOOT_GUIDE				*		1	
37		SM6850300SP		SCREW M2.5 L=3				*		1	
38		13376504		PRESSER_FOOT_SHANK				*		1	
39		SM6040800SP		SCREW				*		1	
40		13376603		YIELDING_SECTION_SPRING				*		1	
41	R	13376702	13376157	THREAD_SPRING_SCREW				*		1	1.00
42		SM4030455SP		SCREW				*		1	
43		PH0300162C0		PARALLEL PIN 3X16				*		1	
44		SM8030500SP		SCREW				*		1	
45		13376801		SCREW_FOR_PRESSER_FOOT				*		1	
46		NM6030001SD		NUT M3X0.5				*		1	

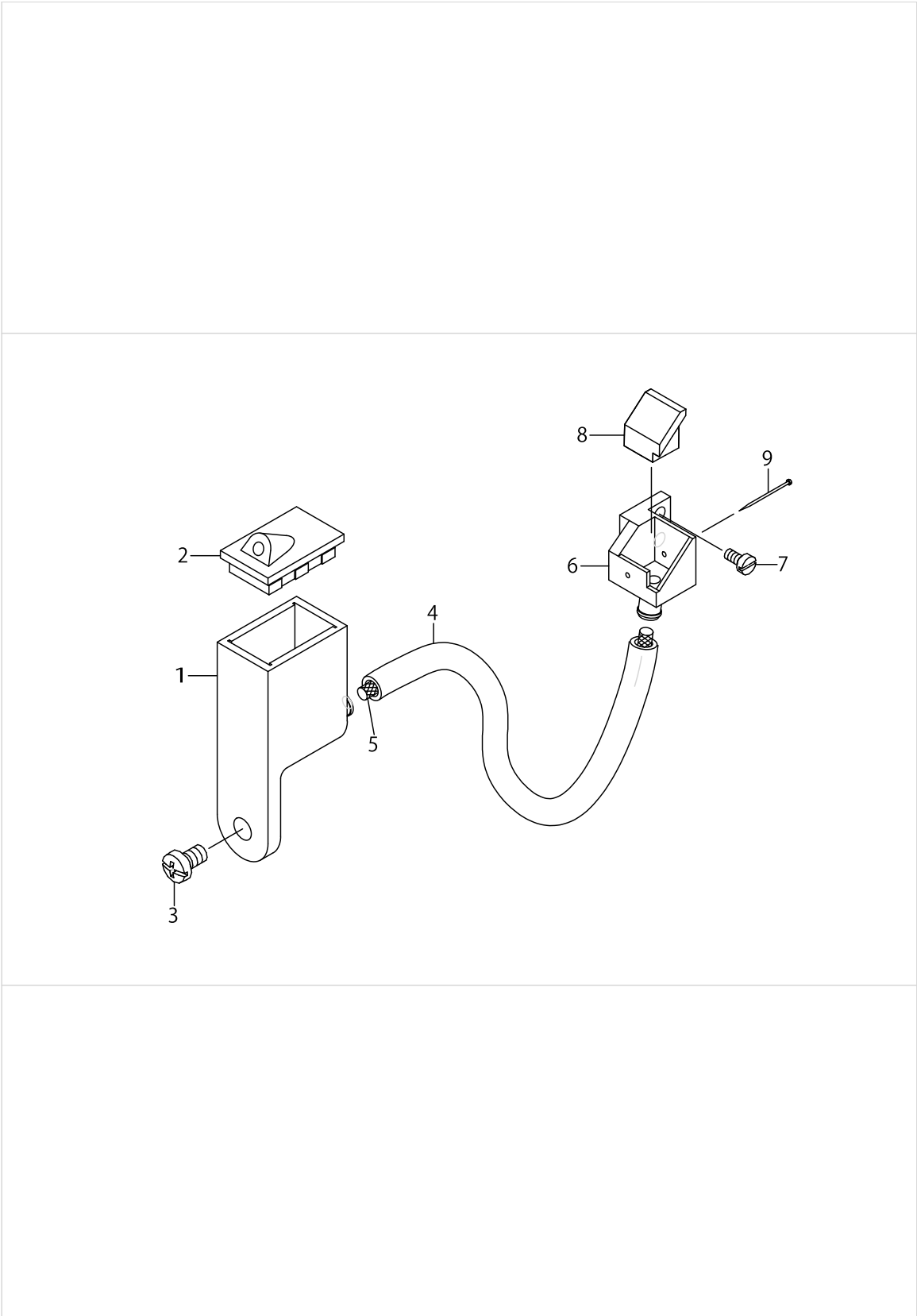
GAUGE PARTS COMPONENTS (2) (FOR MF-7700-C10)



GAUGE PARTS COMPONENTS (2) (FOR MF-7700-C10)

No.	Supply Code	Parts No.	Replacement	Parts name	Remarks	Choice	Step	Level	Cons	Qty	Rep. QTY
47		13350400		NEEDLE_HEAD_64						1	
48		MUY128S1000		NEEDLE UYX128GAS #10						3	
49		SM8030350TP		SCREW						4	
50		13351705		THROAT_PLATE						1	
51		13353909		MAIN_FEED_DOG						1	
52		13357801		DIFF_FEED_DOG						1	
53		40056411		PRESSER_FOOT_ASSEMBLY						1	
54		40056406		PRESSER_FOOT_BOTTOM_64				*		1	
55		40056412		YIELDING_SECTION_ASSEMBLY				*		1	
56		40056403		YIELDING_SECTION				*		1	
57		13377205		YIELDING_SECTION_SHANK				*		1	
58		13377304		PIVOT_PIN				*		1	
59		40056404		PRESSER_FOOT_GUIDE				*		1	
60		SM6850300SP		SCREW M2.5 L=3				*		1	
61		13376504		PRESSER_FOOT_SHANK				*		1	
62		SM6040800SP		SCREW				*		1	
63		13376603		YIELDING_SECTION_SPRING				*		1	
64	R	13376702	13376157	THREAD_SPRING_SCREW				*		1	1.00
65		SM4030455SP		SCREW				*		1	
66		PH0300162C0		PARALLEL PIN 3X16				*		1	
67		SM8030500SP		SCREW				*		1	
68		13376801		SCREW_FOR_PRESSER_FOOT				*		1	
69		NM6030001SD		NUT M3X0.5				*		1	
70		13378005		SCREW	OPTIONAL PARTS					1	
71		40056407		TAPE_GUIDE	OPTIONAL PARTS					1	

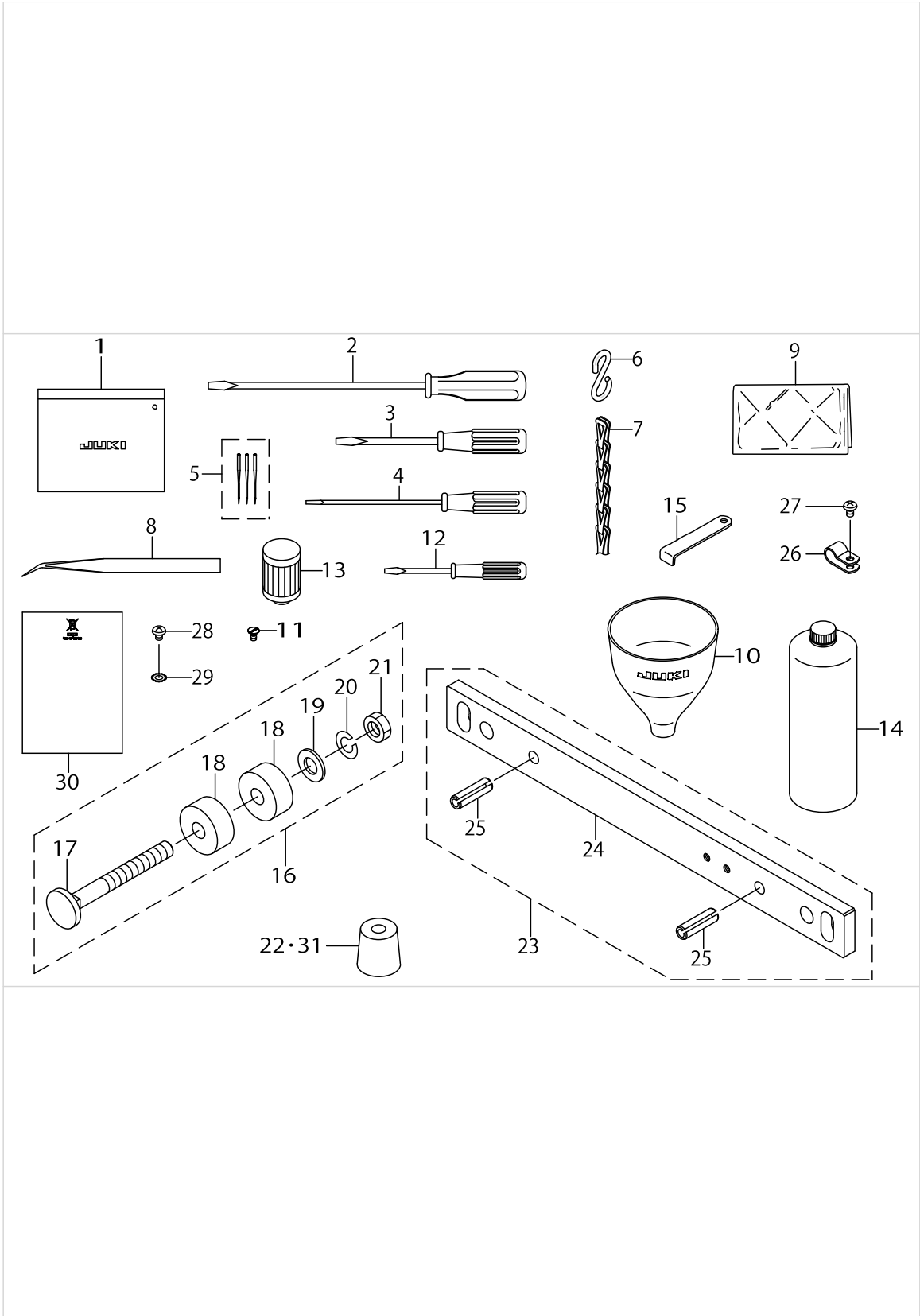
NEEDLE COOLING MECHANISM COMPONENTS



NEEDLE COOLING MECHANISM COMPONENTS

No.	Supply Code	Parts No.	Replacement	Parts name	Remarks	Choice	Step	Level	Cons	Qty	Rep. QTY
1		40056919		SILICONE_OIL_TANK						1	
2		13429105		SILICONE OIL TANK CAP						1	
3		SM4050855SP		SCREW						1	
4		BT0600402EA		OIL TUBE						.15	
5		CQ303000000		OIL WICK						.3	
6		13348206		SILICONE OIL CUP						1	
7		SM6030600SP		SCREW M3X0.5 L=6						2	
8		13348305		FELT						1	
9		11856101		NEEDLE COOLER PIN						1	

ACCESSORIES PARTS COMPONENTS



ACCESSORIES PARTS COMPONENTS

No.	Supply Code	Parts No.	Replacement	Parts name	Remarks	Choice	Step	Level	Cons	Qty	Rep. QTY
1		22932800		ACCESSORIE BAG						1	
2		22933006		SCREW DRIVER,LARGE						1	
3		22933105		SCREW DRIVER,MIDDLE						1	
4		12347308		SCREW DRIVER (SMALL)						1	
5		MUY128S1003		NEEDLE UYX128GAS #10-3						1	
6		13160304		S SHAPED HOOK						2	
7		26037903		CHAIN						1	
8		12288403		TWEEZERS						1	
9		22933303		VINYL COVER						1	
10		13160601		FUNNEL						1	
11		13302203		SCREW						1	
12		22933204		SCREW DRIVER,SMALL						1	
13		13142500		CARTRIDGE_FILTER						1	
14		MML018900CA		JUKI MACHINE OIL 18						1	
15		B9101490000		DRIVER						1	
16	R	13348958	13348966	ASSY_BOLT						4	1.00
17	R	13348909	13348966	BOLT				*		1	1.00
18	R	13349006	13348966	SPACER				*		2	1.00
19		WP1102016SC		WASHER 11X21X2				*		1	
20		WS1002560KR		SPRING WASHER 10X18X2.5				*		1	
21		NM6100003SC		NUT M10				*		1	
22		13155403		DUST-PROOF RUBBER						3	
23		13348859		SUPPORT_PLATE_ASSY						2	
24		13348800		SUPPORT PLATE				*		1	
25		PS0800252KP		SPRING PIN				*		2	
26		HX00150000C		CABLE CLIP						1	
27		SM4040655SP		SCREW M4 L=6						1	
28		WT0430002KN		WASHER M4						1	
29		SM4040501SN		SCREW M4X0.7 L=5						1	
30		CM600100201		WEEE INFORMATION SHEET						1	
31		40072505		ISOLATOR						1	

HOW TO MAKE USE OF THIS PARTS LIST

- 1.As to "#01" and "#02" refer to the "Note" given at the bottom of the respective pages.
- 2.Codes on the "Qty" column
 - Each numeral indicates the number of parts required.
 - "0.1" and "2.5" indicate the length (in meters) of the respective parts.
- 3.Parentheses mean that the corresponding part is a subpart that constructs an assembly part.
- 4.Dotted lines on the Figures indicate assembly parts.

NUMERICAL INDEX OF PARTS

PART NO	PAGE	REF NO.	PART NO	PAGE	REF NO.	PART NO	PAGE	REF NO.
10753309	6	5	13302658	2	9	13311204	14	2
11856101	42	5	13302708	4	54	13311253	14	1
11856101	56	9	13302708	6	42	13311303	14	4
12288403	58	8	13303102	6	25	13311451	14	21
12347308	58	4	13303201	6	27	13311501	14	14
13121603	22	35	13303706	6	20	13311600	14	13
13123302	16	76	13303755	6	19	13311808	14	20
13123302	22	30	13303805	6	24	13311907	14	19
13138201	40	22	13303904	6	40	13311956	14	18
13140504	40	9	13304001	8	49	13312103	14	10~12
13142500	42	24	13304209	2	41	13312202	14	10~12
13142500	58	13	13304308	4	52	13312301	14	10~12
13155403	58	22·31	13304308	6	44	13313101	14	25
13160304	58	6	13304704	6	21	13313309	14	26
13160601	58	10	13304803	6	14	13313408	14	27
13167903	46	9	13305008	6	16	13313606	14	33
13168000	46	10	13305107	6	41	13313705	14	29
13168208	46	12	13305206	4	49	13313804	14	37
13168356	46	4	13307004	10	1	13313903	14	40
13168406	46	31	13307103	10	2	13313952	14	39
13168505	46	30	13307251	10	4	13314109	14	44
13168802	46	5	13307301	10	7	13314356	14	46
13170105	44	50	13307459	10	9	13314406	16	51
13217401	22	33	13307509	10	42	13314505	16	58
13217500	22	32	13307608	10	18	13314703	16	56
13217708	22	28	13307657	10	13	13314752	16	55
13227905	44	67	13307707	10	22	13314802	16	54
13228200	44	66	13307806	12	55~57	13314901	16	59
13228309	44	65	13307905	10	27	13315007	16	49
13300702	6	3	13308002	10	28	13315106	16	61
13300801	6	8	13308101	12	53	13315205	16	47
13300900	2	16	13308150	10	44	13315304	16	63
13300959	2	15	13308200	12	58	13315353	16	62
13301007	2	20	13308309	10	35	13315502	16	67
13301304	2	21	13308457	10	39	13315551	16	66
13301403	2	32	13308556	10	37	13315601	16	72
13301700	2	26	13308655	12	59	13315650	16	71
13301809	2	34	13308705	12	60	13315700	16	73
13302104	2	40	13308804	10	26	13315809	16	74
13302203	6	35	13309000	10	33	13315908	14	30
13302203	58	11	13309158	10	30	13316203	14	41
13302302	4	57	13309208	10	23	13316302	14	34
13302302	6	45	13309307	12	55~57	13317003	18	1
13302401	2	3	13309406	12	55~57	13317102	18	8
13302609	2	10	13311006	14	3	13317201	18	16

NUMERICAL INDEX OF PARTS

PART NO	PAGE	REF NO.	PART NO	PAGE	REF NO.	PART NO	PAGE	REF NO.
13317300	18	19	13323001	20	67	13328505	30	16
13317409	18	20~22	13323100	20	47	13328554	30	12
13317508	18	20~22	13323209	22	42	13328604	30	17
13317607	18	20~22	13323308	18	12~14	13328703	30	18
13317706	18	24	13323407	18	12~14	13328802	30	21
13317805	20	48	13323506	18	12~14	13329008	30	10
13317904	18	44	13323605	20	71	13329107	30	11
13318001	18	35	13323803	18	9	13329206	30	28
13318100	18	36	13324009	10	16	13329404	30	23
13318209	18	34	13324108	12	49	13331004	32	16
13318308	18	41	13324207	10	17	13331202	32	1
13318506	20	50	13324306	26	3	13331301	32	6
13318605	22	20	13324504	26	5	13331400	32	12
13318704	22	1	13324603	26	8	13332002	32	33
13318803	22	2	13324702	26	10	13332101	32	38
13318902	22	3	13324801	26	12	13332309	32	23
13319009	22	10	13324900	26	13	13332507	32	3~5
13319108	20	49	13325006	26	15	13332606	32	11
13319108	22	14	13325105	26	17	13332705	34	48
13319207	22	11	13325204	26	23	13332804	32	28
13319355	22	17	13325402	26	28	13332903	32	26
13319504	22	19	13325501	26	30	13333000	32	3~5
13319702	18	32	13325600	26	34	13333109	32	3~5
13319900	22	8	13325709	26	31	13333208	14	42
13319959	22	4	13325808	28	57	13333208	32	25
13320007	22	9	13325907	28	58	13333307	32	41
13320106	22	5	13326004	28	59	13333406	32	42
13320304	22	36	13326103	28	60	13333505	32	43
13320403	22	37	13326202	28	61	13333604	32	44
13321203	22	24	13326301	28	48	13333703	32	14
13321401	18	29	13326350	28	47	13334107	36	6
13321609	18	27	13326400	28	49	13334206	36	11
13321658	18	26	13326509	28	51	13334305	36	24
13321708	18	28	13326608	28	53	13334404	36	13
13321807	20	72	13326707	28	63	13334503	36	17
13321906	20	74	13326806	14	16	13334602	36	19
13322003	20	57	13326905	26	37	13334701	36	21
13322102	20	60	13327002	26	40	13334909	36	10
13322201	20	55	13327101	26	43	13335005	36	15
13322409	18	30	13328000	30	3	13335203	36	16
13322508	20	63	13328109	30	4	13337001	12	51
13322607	20	64	13328158	30	1	13337100	10	45
13322706	20	65	13328208	30	5	13337209	12	52
13322805	20	66	13328307	30	25	13337308	38	4
13322904	20	68	13328406	30	7	13337357	38	1

NUMERICAL INDEX OF PARTS

PART NO	PAGE	REF NO.	PART NO	PAGE	REF NO.	PART NO	PAGE	REF NO.
13337407	38	5	13345459	44	60	13375308	48	42
13337506	38	3	13345509	44	48	13375308	50	42
13337605	38	11	13345608	44	52	13375407	48	41
13337704	38	19	13345855	42	28	13375407	50	41
13337803	38	21	13345905	44	55	13375506	48	30
13337902	38	29	13346101	44	59	13375605	48	37
13338009	38	23	13346259	42	30	13375605	50	37
13338108	38	25	13346309	44	53	13375704	48	36
13338306	38	18	13346408	42	14	13375704	50	36
13338504	38	15	13346556	42	26	13376009	48	9
13338603	38	17	13346606	44	57	13376058	48	7
13338702	38	8	13346705	42	44	13376504	52	61
13338801	38	32	13348008	26	18	13376504	54	61
13338900	30	29	13348206	56	6	13376603	52	63
13338900	38	26	13348305	56	8	13376603	54	63
13340005	40	1	13348800	58	24	13376702	52	64
13340104	40	2	13348859	58	23	13376702	54	64
13340203	40	14	13348909	58	17	13376801	52	68
13340302	40	15	13348958	58	16	13376801	54	68
13340500	40	11	13349006	58	18	13376900	48	39
13340609	40	19	13350103	52	1	13376900	50	39
13340708	40	20	13350202	48	1	13377007	48	40
13340906	40	10	13350301	48	22	13377007	50	40
13341359	40	5	13350301	52	24	13377106	48	55
13341409	40	6	13350400	50	43	13377106	50	55
13341607	40	18	13350400	54	47	13377205	52	57
13343009	44	62	13351408	52	4	13377205	54	57
13343108	44	61	13351606	52	27	13377304	52	58
13343207	44	69	13351705	54	50	13377304	54	58
13343306	44	70	13353701	48	26	13378005	54	70
13343405	44	68	13353800	52	5	13398409	22	16
13343603	42	3	13353909	52	51	13399209	30	8
13343652	42	2	13353909	54	51	13409800	4	48
13343801	42	25	13354204	48	5	13426903	6	9
13343900	42	1	13357603	48	27	13429105	56	2
13344056	42	7	13357702	52	6	22901805	2	12
13344155	42	12	13357801	52	52	22902506	2	17
13344205	42	4	13357801	54	52	22924708	6	7
13344502	42	9	13358304	48	6	22930309	46	13
13344601	42	8	13375001	48	29	22930408	46	7
13344700	42	10	13375050	48	28	22930705	46	29
13344809	42	23	13375100	48	35	22930804	46	17
13345053	42	20	13375100	50	35	22930903	46	16
13345202	42	21	13375209	48	53	22931000	46	15
13345400	44	64	13375209	50	53	22931109	46	14

NUMERICAL INDEX OF PARTS

PART NO	PAGE	REF NO.	PART NO	PAGE	REF NO.	PART NO	PAGE	REF NO.
22931307	46	8	40056403	52	56	B1426180A00	18	3~6
22931406	46	6	40056403	54	56	B1426180B00	18	3~6
22932800	58	1	40056404	52	59	B1426180C00	18	3~6
22933006	58	2	40056404	54	59	B1426180D00	18	3~6
22933105	58	3	40056405	52	31	B2008372000	40	16
22933204	58	12	40056406	54	54	B2556280000	20	54
22933303	58	9	40056407	54	71	B3121804000	40	12
22945505	28	52	40056410	52	30	B3215470000	18	39
22945802	28	50	40056411	54	53	B9101490000	58	15
23537202	16	50	40056412	52	55	B9213850000	26	19
23612609	26	9	40056412	54	55	B9214850000	26	20
23629306	42	40	40056504	52	7	BP30000010R	42	42
23629504	42	43	40056505	52	8	BT0600402EA	56	4
23630007	42	11	40056591	32	35	CM300200001	2	13
26037903	58	7	40056675	46	11	CM3002000A1	2	11
30391601	26	24	40056919	56	1	CM3002001B1	6	2
31013808	22	39	40058033	48	25	CM600100101	2	37
40004749	44	74	40065784	40	17	CM600100201	58	30
40018259	14	31	40066136	40	8	CQ303000000	18	23
40018443	22	38	40070224	50	51	CQ303000000	22	43
40018923	36	5	40070226	50	56	CQ303000000	30	13
40018946	6	11	40070227	50	57	CQ303000000	56	5
40018947	36	1	40070229	50	63	CS0800881TP	16	52
40019163	42	13	40070230	50	62	CS1000881TP	20	61
40019335	32	21	40070231	50	60	CS1000881TP	22	40
40020538	32	15	40070559	14	28	CS1000881TP	26	6
40023042	32	34	40070573	14	24	CS1000881TP	30	19
40023441	32	20	40072505	58	22·31	CS1000881TP	32	17
40023481	32	19	40072506	46	1	HX00150000C	58	26
40028110	42	15	40082196	6	33	MML018900CA	58	14
40033340	2	24	40082974	50	47	MUY128S1000	48	44
40033341	2	25	40082975	50	50	MUY128S1000	50	44
40033518	2	23	40099363	2	46	MUY128S1000	52	48
40039630	22	23	40099365	6	13	MUY128S1000	54	48
40040206	22	21	40099367	6	37	MUY128S1003	58	5
40040207	22	27	40099369	4	47	NM6030001SD	50	58
40040513	50	46	40099370	6	29	NM6030001SD	52	69
40040514	48	4	40099371	4	58	NM6030001SD	54	69
40042362	40	21	40099372	6	15	NM6030001SN	32	45
40042363	40	13	40099373	4	61	NM6040001SP	2	44
40042365	40	24	40099374	4	60	NM6040001SP	42	16
40042366	40	23	40099536	6	12	NM6040002SE	46	25
40050448	38	24	40099537	6	28	NM6050001SE	46	20
40050449	38	27	40099538	2	45	NM6050001SP	18	43
40052522	38	33	40099539	6	36	NM6050001SP	28	54

NUMERICAL INDEX OF PARTS

PART NO	PAGE	REF NO.	PART NO	PAGE	REF NO.	PART NO	PAGE	REF NO.
NM6050001SP	30	27	SD0640246SP	2	30	SM4041655SP	40	7
NM6050001SP	38	14	SD0640246SP	32	30	SM4042001SC	46	24
NM6050001SP	42	46	SD0700206TP	14	45	SM4050855SP	2	36
NM6060001CP	16	69	SD0700586TP	16	65	SM4050855SP	56	3
NM6060001SE	46	34	SD0801326TH	18	33	SM4051055SP	10	46
NM6100003SC	58	21	SK3382001SE	46	32	SM4051255SP	2	35
NM6160511SE	46	28	SL4040805SC	4	64	SM4051255SP	20	52
PH0300162C0	52	66	SL4040805SC	44	58	SM4051255SP	22	34
PH0300162C0	54	66	SL4041281SC	32	24	SM4051405SE	46	19
PS0150065KP	50	64	SM0081001SD	44	51	SM4061201SE	46	33
PS0150082KH	26	21	SM1030400SP	20	69	SM4850455SP	26	42
PS0300162KH	18	45	SM1030800SM	32	10	SM4850455SP	32	47
PS0400082KP	10	34	SM1040800SP	6	18	SM4850455SP	34	47
PS0500142KP	16	60	SM1040800SP	26	46	SM4850455SP	36	22
PS0800252KP	58	25	SM1041400SP	6	22	SM5040655SN	22	26
RC0100001KP	22	13	SM1850600SP	48	59	SM5050855SN	4	62
RC0650811KP	36	14	SM1850600SP	50	59	SM6030500SN	14	36
RC0741013KP	22	15	SM4030455SN	2	28	SM6030600SP	4	59
RC1900002KP	6	10	SM4030455SP	14	32	SM6030600SP	22	7
RC2251213KP	18	7	SM4030455SP	26	33	SM6030600SP	56	7
RC2800002KP	32	9	SM4030455SP	52	65	SM6040600SP	44	72
RC4381514KP	2	2	SM4030455SP	54	65	SM6040750TP	6	32
RC4881514KP	2	1	SM4030655SP	14	17	SM6040750TP	38	30
RE0300000K0	4	50	SM4030655SP	26	45	SM6040800SP	6	26
RE0300000K0	6	38	SM4030855SN	26	26	SM6040800SP	12	48
RE0300000K0	16	77	SM4040501SN	58	29	SM6040800SP	20	76
RE0300000K0	22	31	SM4040655SP	2	56	SM6040800SP	28	56
RE0500000K0	18	42	SM4040655SP	4	56	SM6040800SP	30	24
RE0700000K0	36	8	SM4040655SP	8	47	SM6040800SP	36	20
RE0700000K0	38	10	SM4040655SP	26	62	SM6040800SP	48	52
RO055200100	18	38	SM4040655SP	28	62	SM6040800SP	50	52
RO068190100	22	22	SM4040655SP	32	29	SM6040800SP	52	62
RO074240100	16	79	SM4040655SP	40	4	SM6040800SP	54	62
RO137230100	20	58	SM4040655SP	42	77	SM6041000SP	14	38
RO148240200	10	41	SM4040655SP	44	77	SM6041000SP	18	70
RO148240200	36	25	SM4040655SP	58	27	SM6041000SP	20	70
RO158240100	18	11	SM4040855SP	12	54	SM6041000SP	38	20
RO195240100	6	6	SM4041001SC	46	21	SM6041002TP	6	50
SB108002100	32	8	SM4041055SP	2	42	SM6041002TP	8	50
SB120001500	36	23	SM4041055SP	6	48	SM6041200SP	14	43
SB120001900	10	19	SM4041055SP	8	48	SM6041200SP	30	22
SB30800110A	14	5~8	SM4041055SP	26	14	SM6041202TP	10	14
SB30800110B	14	5~8	SM4041055SP	40	25	SM6041202TP	16	64
SB30800110C	14	5~8	SM4041055SP	42	22	SM6041202TP	36	3
SB30800110D	14	5~8	SM4041201SC	46	23	SM6041202TP	38	2

NUMERICAL INDEX OF PARTS

PART NO	PAGE	REF NO.	PART NO	PAGE	REF NO.	PART NO	PAGE	REF NO.
SM6042000SP	44	71	SM8040612TP	20	59	TA2050416R0	2	8
SM6050800SP	6	34	SM8050412TP	16	53	TA2101002R0	2	7
SM6050800SP	36	18	SM8050412TP	18	62	TA2351004R0	8	51
SM6051000SP	14	15	SM8050412TP	20	62	WP0280500SC	32	46
SM6051002TP	26	1	SM8050412TP	22	48	WP0280500SC	34	46
SM6051202TP	16	57	SM8050412TP	24	48	WP0280500SC	50	48
SM6051400SP	2	38	SM8050412TP	26	7	WP0280501SC	26	41
SM6051402TP	26	11	SM8050412TP	30	20	WP0280501SC	32	36
SM6051402TP	38	28	SM8050412TP	32	18	WP0320501SC	26	44
SM6051602TP	18	18	SM8050412TP	36	12	WP0410516SD	32	32
SM6051602TP	44	76	SM8050412TP	44	63	WP0450826SC	22	25
SM6060800SP	2	31	SM8050612TP	38	12	WP0450826SC	28	55
SM6060800SP	16	78	SM8050812TP	18	73	WP0460556SD	16	75
SM6061002TP	16	48	SM8050812TP	20	73	WP0460556SD	22	29
SM6061200SP	10	25	SM8060552TP	18	56	WP0461516SH	38	22
SM6061202TP	16	70	SM8060552TP	20	56	WP0480856SP	20	75
SM6061202TP	22	18	SM8060552TP	22	46	WP0522016SH	26	4
SM6061402TP	10	47	SM8060552TP	32	22	WP0550800SP	4	51
SM6061402TP	12	47	SM8060612TP	10	43	WP0550800SP	6	39
SM6061402TP	22	6	SM8060612TP	30	15	WP0550800SP	30	26
SM6061402TP	30	6	SM8060612TP	36	2	WP0550800SP	38	13
SM6061610SC	46	18	SM8060612TP	38	31	WP0550800SP	44	75
SM6061802TP	44	49	SM8060812TP	10	36	WP0550836SC	4	63
SM6062550TP	16	68	SM8060812TP	42	6	WP0621016SD	24	47
SM6850300SP	52	60	SM8060842TP	10	31	WP0702026SP	14	22
SM6850300SP	54	60	SM8061212TP	10	29	WP1021026SH	36	9
SM6850400SP	50	61	SM8080812TP	10	24	WP1021026SH	38	9
SM7051460TP	24	49	SM9061050TP	30	14	WP1022016SH	30	30
SM8030312TP	26	25	SQ0000452MZ	42	35	WP1102016SC	58	19
SM8030350TP	48	45	SQ0000453MZ	42	33	WP1612616SE	46	26
SM8030350TP	50	45	SQ0000454MZ	42	32	WS0510002KN	28	64
SM8030350TP	52	49	SQ2050452MZ	42	45	WS0510002KN	46	3
SM8030350TP	54	49	SQ2060441SD	42	36	WS0510002KP	12	50
SM8030412TP	48	54	SQ2060442SD	42	34	WS0510002KP	26	2
SM8030412TP	50	54	SQ2060451MZ	44	73	WS1002560KR	58	20
SM8030500SP	52	67	ST4040851SN	26	22	WS1643202KR	46	27
SM8030500SP	54	67	TA0500601M0	22	45	WT0430002KN	58	28
SM8031002TP	50	49	TA0500601M0	38	16	WZ0641510KP	2	27
SM8040360TP	4	55	TA0850604R0	6	43	WZ0641510KP	32	31
SM8040360TP	6	46	TA1050504R0	2	18	WZ1052010KP	14	23
SM8040412TP	14	35	TA1250406R0	2	5			
SM8040412TP	18	40	TA1600406R0	36	7			
SM8040412TP	30	9	TA1600406R0	38	7			
SM8040412TP	36	4	TA1701002R0	2	6			
SM8040602TP	18	37	TA2050406R0	2	4			