

MODEL : UT33
List No : 1394-04

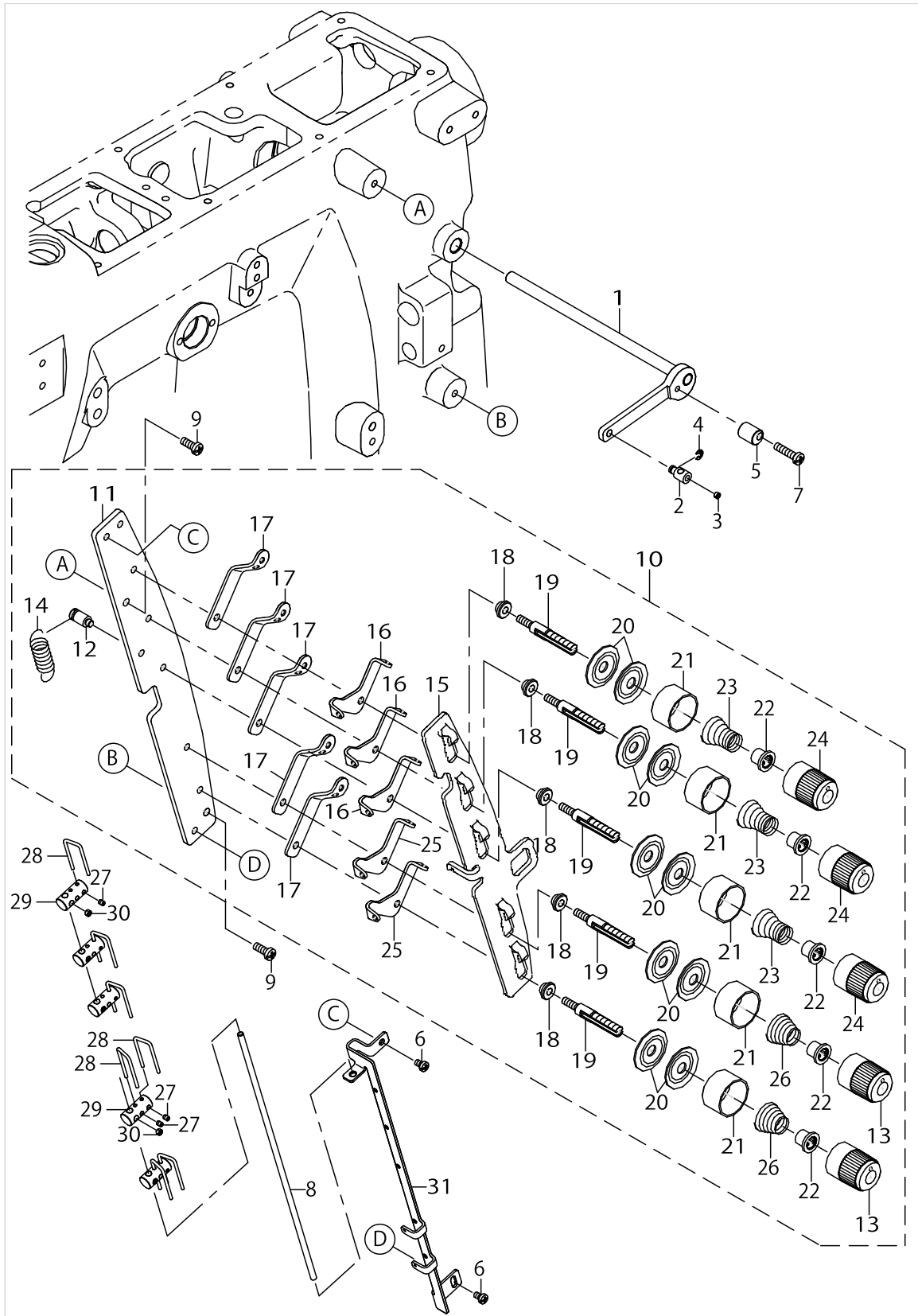
PARTS LIST

Published:05/12/2017

CONTENTS

THREAD TENSION COMPONENTS	1
MISCELLANEOUS COVER COMPONENTS.....	3
LOOPER THREAD TRIMMER COMPONENTS	5
PNEUMATIC DRIVE & PRESSER FEED LIFTER COMPONENTS.....	7
TOP COVER THREAD TRIMMER COMPONENTS	11
ACCESSORIE PART COMPONENTS	13
HOW TO MAKE USE OF THIS PARTS LIST	15

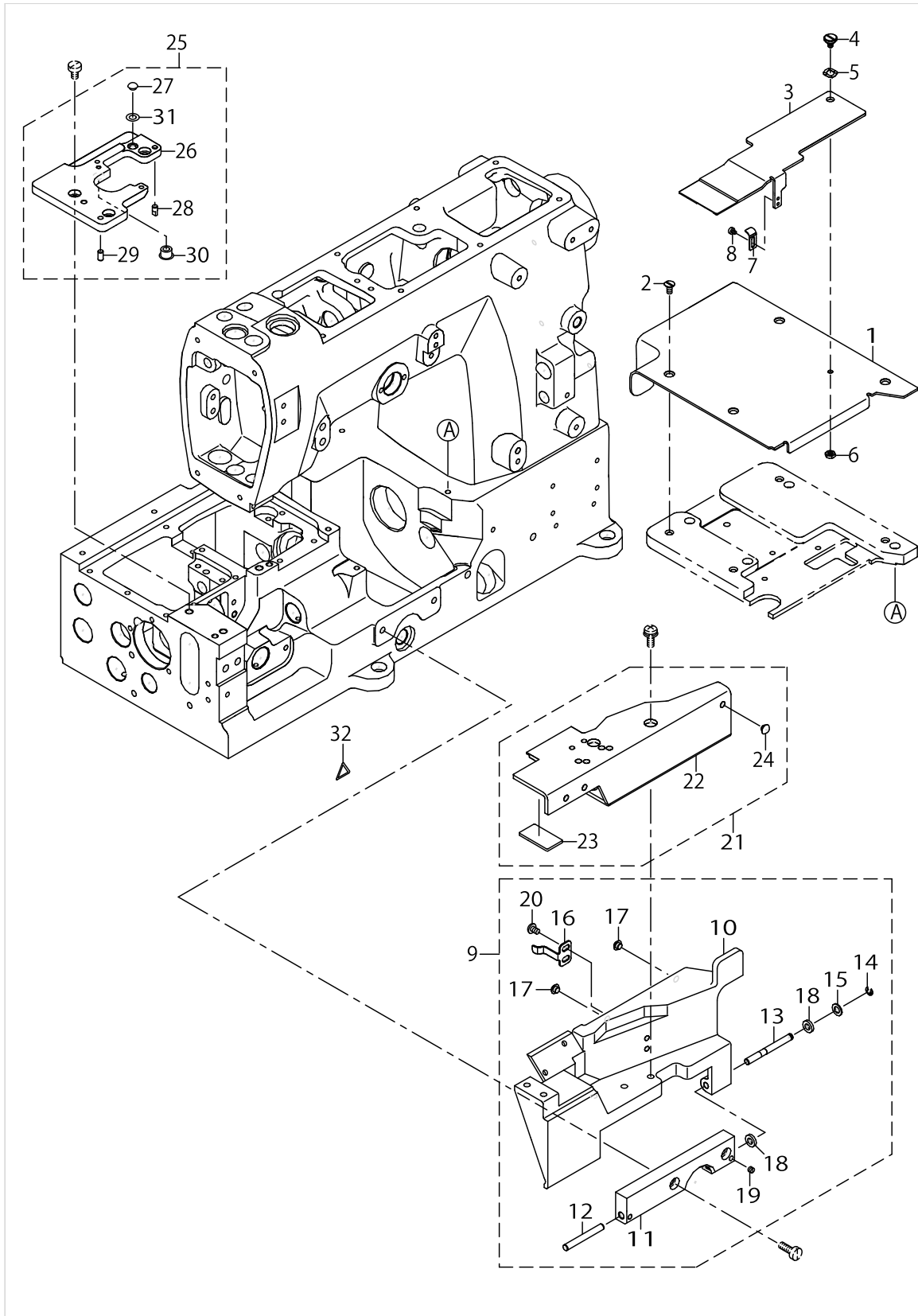
THREAD TENSION COMPONENTS



THREAD TENSION COMPONENTS

No.	Supply Code	Parts No.	Replacement	Parts name	Remarks	Choice	Step	Level	Cons	Qty	Rep. QTY
1		13456553		PULL_OFF_LEVER_ASSY						1	
2		13456405		THD_PULL_OFF_BAR_HOLDER						1	
3		SM8040360TP		SCREW						1	
4		RE0300000K0		E-RING 3						1	
5		40065785		TENS_RELEASE_ADJ_ECC						1	
6		SM4040655SP		SCREW M4 L=6						2	
7		SM4041655SP		SCREW M4 L=16						1	
8		13456108		PULL_OFF_BAR						1	
9		SM4041055SP		SCREW						2	
10		40066136		THREAD_TENSION_ASSY						1	
11		13340203		TENSION POST SUPPORT				*		1	
12		13340302		SHOULDER SCREW				*		1	
13		40042363		KNOB				*		2	
14		B2008372000		THREAD TENSION SPRING				*		1	
15		40065784		TENSION_DISC_SEPARATOR				*		1	
16	R	13341607	40040066	TENSION_DISC_EYELET_2		B	MF-7724-U10-D60	*		3	1.00
16	R	13341607	40066136	TENSION_DISC_EYELET_2				*		3	1.00
17		13340609		THREAD LEAD IN GUIDE				*		5	
18		13340708		SPACER				*		5	
19		40042362		TENSION POST				*		5	
20		13138201		THREAD TENSION DISK				*		10	
21		40042366		THREAD TENSION DISK PRESSER				*		5	
22		40042365		SPRING BUSHING				*		5	
23		13140504		TENNSION SPRING				*		3	
24		40042364		KNOB GREEN				*		3	
25		13340500		TENSION DISC EYELET				*		2	
26	R	B3121804000	40102003	TENSION SPRING				*		2	1.00
27		SM8030412TP		SCREW						7	
28		13456603		THD_PULL_OFF_HOOK						7	
29		13456207		THD_P_O_HOOK_GUIDE						5	
30		SM8040360TP		SCREW						5	
31		13456009		THREAD_GUIDE						1	

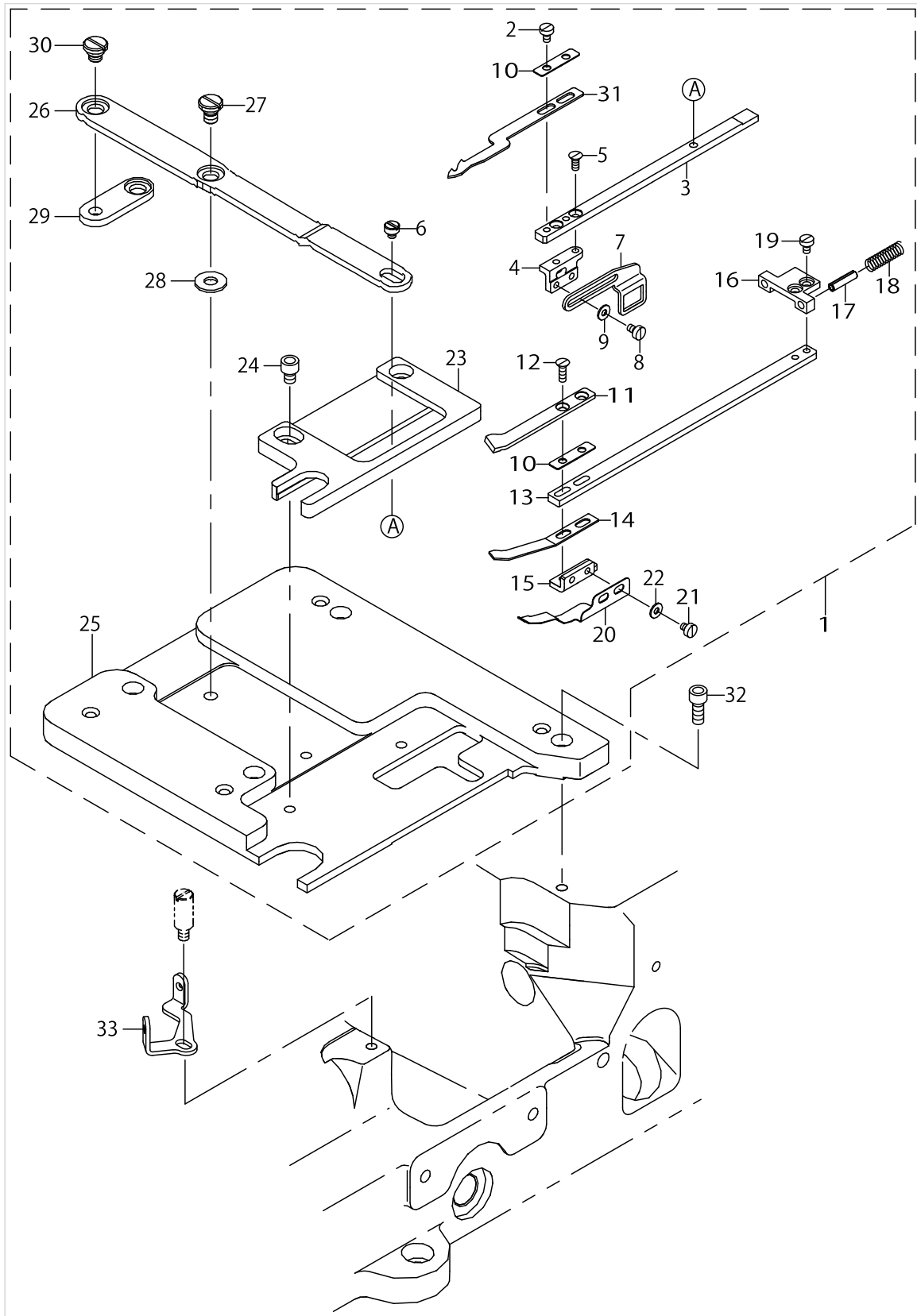
MISCELLANEOUS COVER COMPONENTS



MISCELLANEOUS COVER COMPONENTS

No.	Supply Code	Parts No.	Replacement	Parts name	Remarks	Choice	Step	Level	Cons	Qty	Rep. QTY
1		40040273		COVER_A_UT						1	
2		SM1040800SP		SCREW						4	
3		40019325		COVER_B_UT						1	
4		SD0600266TP		SHOULDER SCREW D6 H2.6						1	
5		WZ0641510KP		WAVED WASHER 6.4X11X0.3						1	
6		NM6040003SD		NUT M4						1	
7		40019326		LATCH_SPRING_UT						1	
8		SM6850300SP		SCREW M2.5 L=3						2	
9		40019330		ASSY_SWING_DOWN_COVER_UT						1	
10		40019329		SWING_DOWN_COVER_UT				*		1	
11		13303508		HINGE				*		1	
12		PH0500400C0		PARALLEL PIN				*		1	
13		13305206		PIN_FOR_S_D_COVER				*		1	
14		RE0300000K0		E-RING 3				*		1	
15		WP0550800SP		WASHER 5.5X10X0.8				*		1	
16		13304308		LATCH SPRING				*		1	
17		13302302		RUBBER BUMPER				*		2	
18		13302708		RUBBER_WASHER				*		2	
19		SM8040360TP		SCREW				*		2	
20		SM4040655SP		SCREW M4 L=6				*		2	
21		40019333		ASSY_BRACKET_UT						1	
22		40019332		BRACKET_UT				*		1	
23		13305305		RUBBER_BOARD				*		1	
24		13302302		RUBBER BUMPER				*		1	
25		40019327		ASSY_TP_SUPPORT_UT						1	
26		13303003		THROAT PLATE SUPPORT				*		1	
27		13302302		RUBBER BUMPER				*		1	
28		13301908		DOWEL PIN				*		1	
29		13302500		DOWEL PIN 2				*		1	
30		TA0850604R0		RUBBER PLUG				*		1	
31		WP0531000SD		WASHER M5				*		1	
32		CM300200001		ATTENTION SEAL						1	

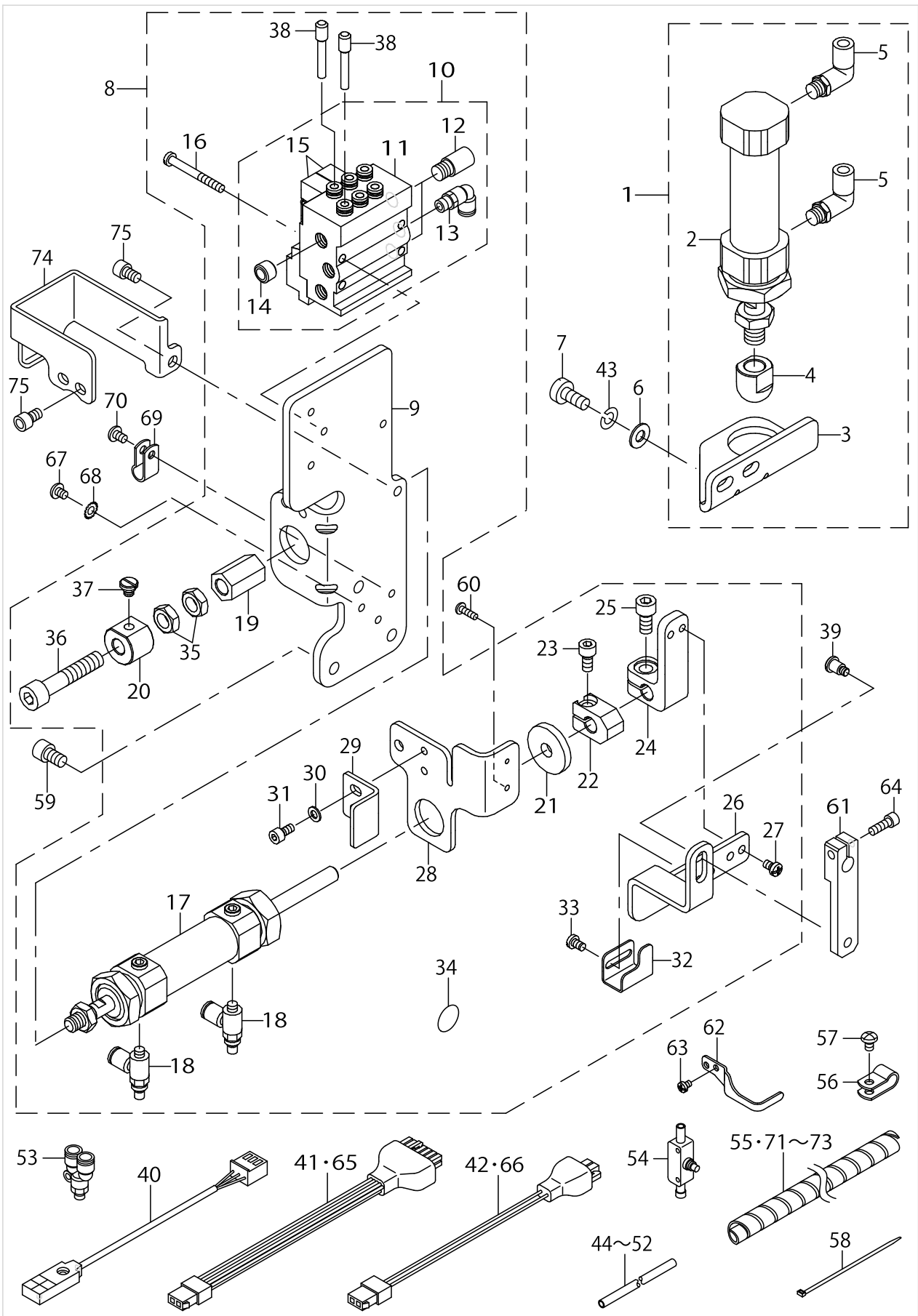
LOOPER THREAD TRIMMER COMPONENTS



LOOPER THREAD TRIMMER COMPONENTS

No.	Supply Code	Parts No.	Replacement	Parts name	Remarks	Choice	Step	Level	Cons	Qty	Rep. QTY
1		40019336		ASSY_UNDER_TRIMMER_7700						1	
2		SM6850400SP		SCREW M2.5 L=4				*		2	
3		40019305		LOWER_KNIFE_LEVER_UT				*		1	
4		40019306		LOWER_KNIFE_BRACKET_UT				*		1	
5		SM1850600SP		SCREW				*		2	
6		40019307		LOWER_KNIFE_DRIVE_PIN_UT				*		1	
7		40019308		THREAD_TAKE_UP_UT				*		1	
8		SM6850400SP		SCREW M2.5 L=4				*		2	
9		WP0250516SD		WASHER 2.5X6X0.5				*		2	
10		40019309		PLATE_WASHER_UT				*		2	
11		40019310		UPPER_KNIFE_UT				*		1	
12	D	SM1850800SP		SCREW M2.5 L=8				*		2	
13		40019311		UPPER_KNIFE_LEVER_UT				*		1	
14		40019312		KNIFE_SUPPORT_PLATE_UT				*		1	
15		40019313		UPPER_KNIFE_BRACKET_UT				*		1	
16		40019314		UPPER_KNIFE_STOPPER_UT				*		1	
17		PS0300122KH		SPRING PIN 3X12				*		2	
18		B1214038000		PLUNGER SPRING				*		2	
19		SM6850400SP		SCREW M2.5 L=4				*		2	
20		40019315		THREAD_CLAMP_UT				*		1	
21		SM6850300SP		SCREW M2.5 L=3				*		2	
22		WP0250516SD		WASHER 2.5X6X0.5				*		2	
23		40019316		KNIFE_LEVER_GUIDE_UT				*		1	
24		SM6040502TP		SCREW M4X0.7 L=5				*		2	
25		40019317		CLOTH_PLATE_RIGHT_UT				*		1	
26		40019318		LEVER_UT				*		1	
27		SD0600206TP		SHOULDER SCREW				*		1	
28		B322877100B		BOBBIN WINDER SPACER				*		1	
29		40019319		LINK_UT				*		1	
30		SD0640216TP		SHOULDER SCREW				*		1	
31		40019304		LOWER_KNIFE_UT				*		1	
32		SM6041002TP		SCREW M4 L=10						4	
33		40019323		THREAD_GUIDE_UT						1	

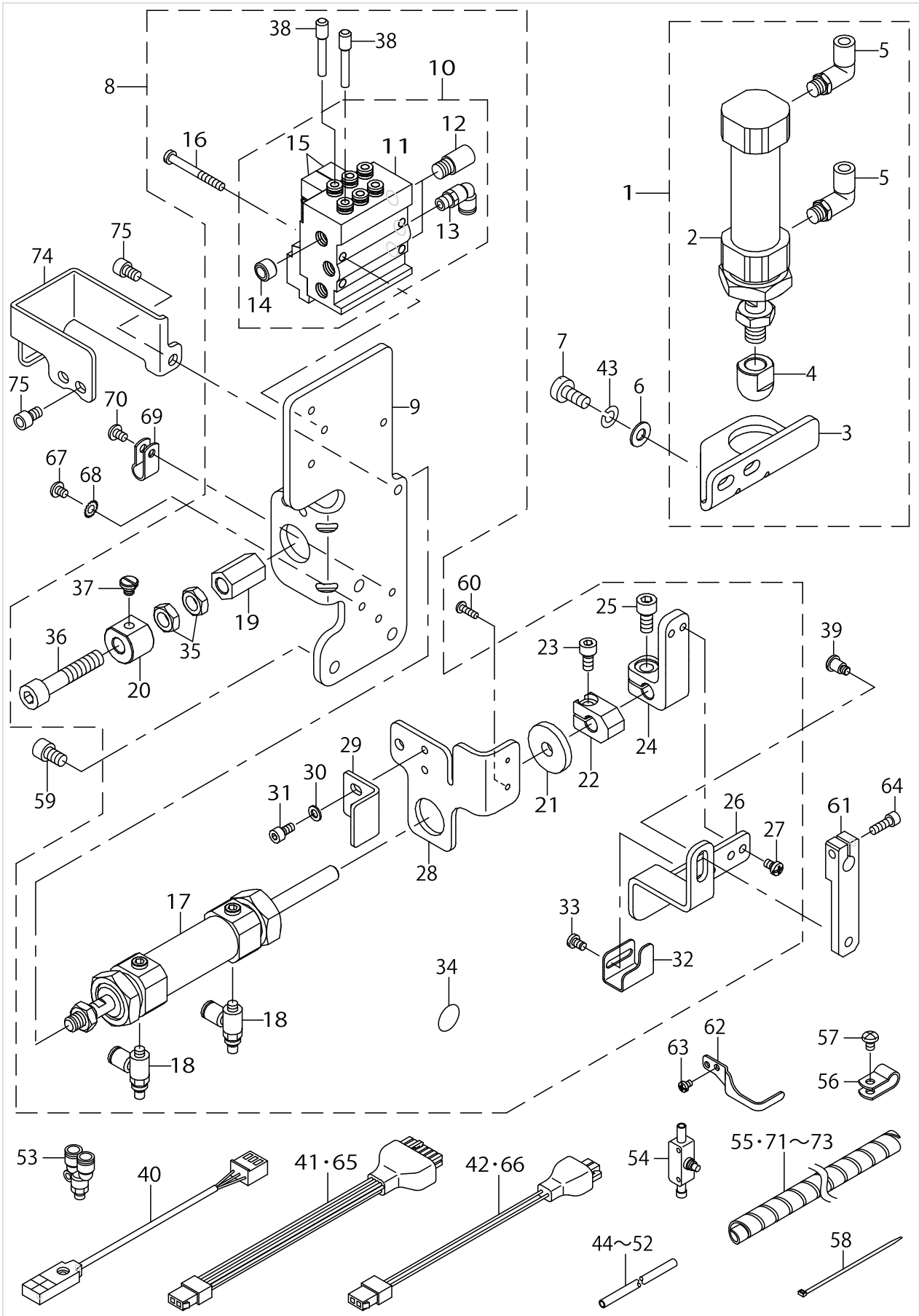
PNEUMATIC DRIVE & PRESSER FEED LIFTER COMPONENTS



PNEUMATIC DRIVE & PRESSER FEED LIFTER COMPONENTS

No.	Supply Code	Parts No.	Replacement	Parts name	Remarks	Choice	Step	Level	Cons	Qty	Rep. QTY
1		40018079		PNEUMATIC_P_F_LIFTER_ASSY						1	
2		PA2503004A0		AIR CYLINDER				*		1	
3		13455001		AIR_CYLINDER_BRACKET				*		1	
4		13455100		AIR_CYLINDER_CAP				*		1	
5		PJ304045102		ELBOW UNION, C				*		2	
6		WP0621016SD		WASHER 6.2X13X1						2	
7		SM6061400SP		SCREW M6 L=14						2	
8		40019337		ASSY_PNEUMATIC_DRIVE_7700						1	
9		13442504		AIR_CYLINDER_BRACKET				*		1	
10		40072396		MANIFOLD_VALVE_ASSY				*		1	
11		PV035161000		MANIFOLD				*		1	
12		PX055104000		SILENCER (PT1/8)				*		2	
13		PJ304065101		ELBOW UNION 6XPT1/8				*		1	
14		PJ025100002		PLUG R1/8				*		3	
15		PV150103200		5-PORT SOKENOID VALVE				*		2	
16		SM4043555SP		SCREW				*		2	
17		PA2001802A0		AIR CYLINDER				*		1	
18		PC010508000		SPEED CONTROLLER				*		2	
19		40019321		JOINT_B_UT				*		1	
20		40019320		JOINT_A_UT				*		1	
21		13443601		WASHER				*		1	
22		13442900		COLLAR				*		1	
23		SM6051002TP		SCREW M5X0.8 L=10				*		1	
24		13443007		PLATE HOLDER				*		1	
25		SM6061202TP		SCREW M6 L=12				*		1	
26		40019322		TENS_RELEASE_PLATE_UT				*		1	
27		SM4040655SP		SCREW M4 L=6				*		2	
28	D	13442801		SENSOR HOLDER				*		1	
29	D	13443700		SUPPORT_PLATE_UT				*		1	
30		WP0430800SC		WASHER M4				*		2	
31		SM6040802TP		SCREW M4X0.7 L=8				*		2	
32		13443205		SWITCH_PLATE				*		1	
33		SM4040655SP		SCREW M4 L=6				*		2	
34		22901805		GROUND MARK				*		1	
35	D	NM6080003SD		NUT M8				*		2	
36		SM6084002TN		SCREW M8 L=40				*		1	
37		SD0640216TP		SHOULDER SCREW				*		1	
38		PX500014000		PLUG				*		2	
39		SD0700706TP		SHOULDER SCREW						1	
40		40021746		UNDER_TRIMMER_S-SENSOR_CABLE_ASM						1	
41		40018084		UNDER_TRIMMER_CABLE_ASM	FOR SC-500					1	
42		40018085		LIFT_UP_CABLE_ASM	FOR SC-500					1	
43		WS0610002KP		SPRING WASHER						2	
44		BT0400251EB		URETHANE HOSE, BLACK						.27	
45		BT0400251EB		URETHANE HOSE, BLACK						.32	
46		BT0400251EB		URETHANE HOSE, BLACK						.08	

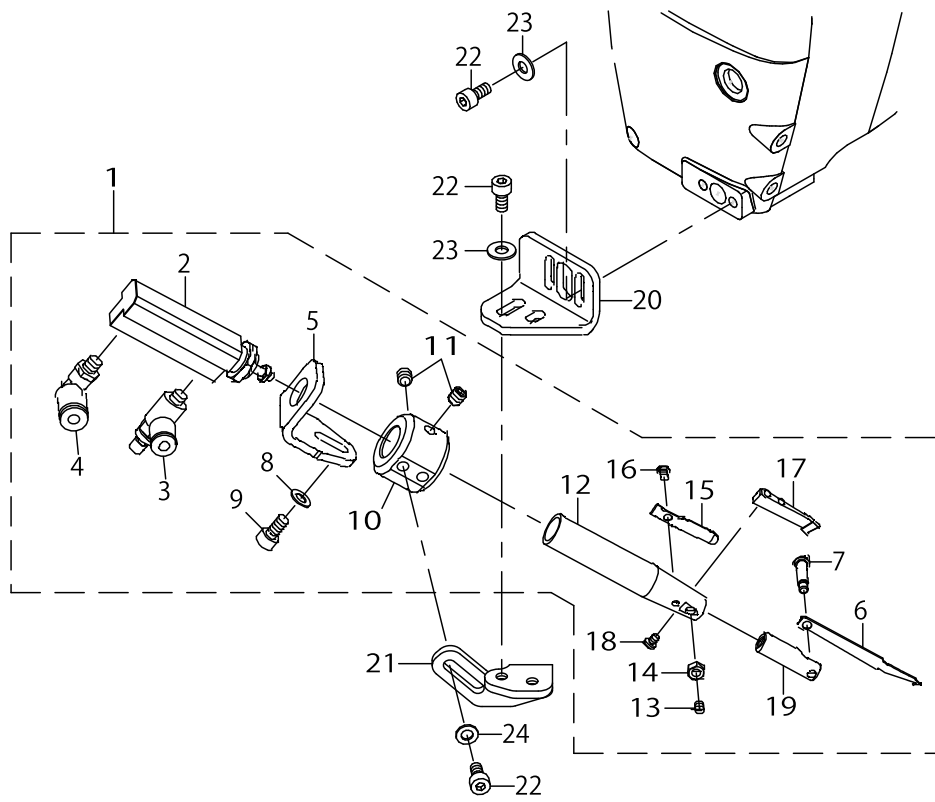
PNEUMATIC DRIVE & PRESSER FEED LIFTER COMPONENTS



PNEUMATIC DRIVE & PRESSER FEED LIFTER COMPONENTS

No.	Supply Code	Parts No.	Replacement	Parts name	Remarks	Choice	Step	Level	Cons	Qty	Rep. QTY
47		BT0400251EB		URETHANE HOSE, BLACK						.08	
48		BT0400251EB		URETHANE HOSE, BLACK						.42	
49		BT0400251EB		URETHANE HOSE, BLACK						.23	
50		BT0400251EB		URETHANE HOSE, BLACK						.63	
51		BT0400251EB		URETHANE HOSE, BLACK						.3	
52		BT0400251EB		URETHANE HOSE, BLACK						.22	
53		PJ308040006		UNION						2	
54		PC012401000		SPEED CONTROLLER						1	
55		HX00314000A		SPIRAL TUBE						.6	
56		HX00150000B		CABLE CLIP						2	
57		SM4040655SP		SCREW M4 L=6						2	
58		EA9500B0100		CABLE BAND						3	
59		SM6061002TP		SCREW M6 L=10						3	
60		SM4031001SN		SCREW						1	
61		13443304		TENSION_RELEASE_LEVER						1	
62		40018259		FINGER_GUARD						1	
63		SM4030455SP		SCREW						2	
64		SM6041202TP		SCREW M4X0.7 L=12						1	
65		40027211		UNDER_TRIMMER_CABLE_B_ASM.	FOR SC-510					1	
66		40027213		LIFT_UP_CABLE_B_ASM.	FOR SC-510					1	
67		WT0430002KN		WASHER M4						1	
68		SM4040501SN		SCREW M4X0.7 L=5						1	
69		HX00150000B		CABLE CLIP						1	
70		SM4040655SP		SCREW M4 L=6						1	
71		HX003140000		SPIRAL TABE						.96	
72		HX00314000D		SPIRAL TUBE						.12	
73		HX00314000D		SPIRAL TUBE						.1	
74		40069703		SOLENOIDE_COVER						1	
75		SM6050802TP		SCREW M5X0.8 L=8						3	

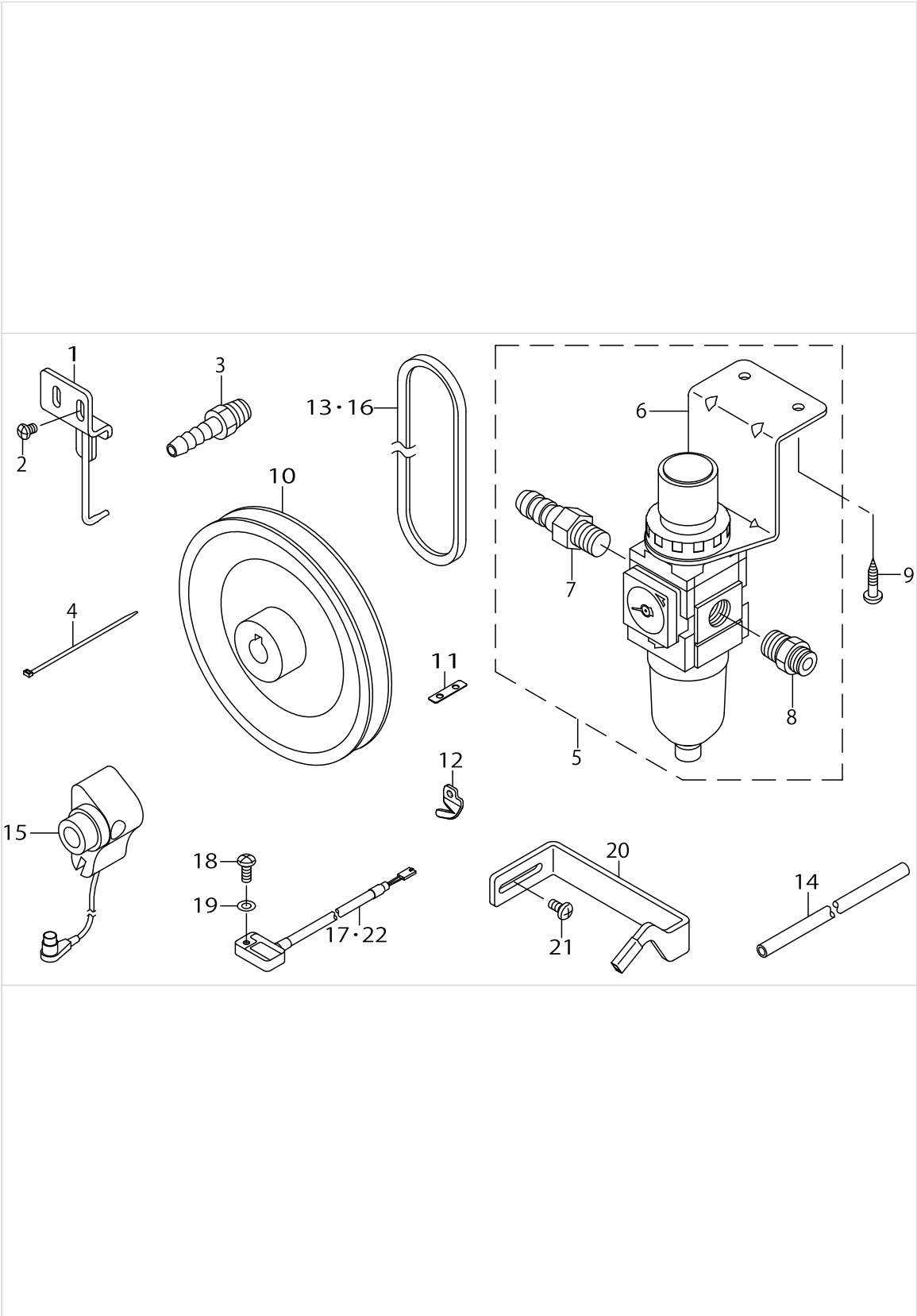
TOP COVER THREAD TRIMMER COMPONENTS



TOP COVER THREAD TRIMMER COMPONENTS

No.	Supply Code	Parts No.	Replacement	Parts name	Remarks	Choice	Step	Level	Cons	Qty	Rep. QTY
1		40021279		U_L_THREAD_TRIMMER_ASSY						1	
2		PA0602006A0		AIR CYLINDER				*		1	
3		PC010508000		SPEED CONTROLLER				*		1	
4		PJ304040504		ELBOW UNION				*		1	
5		13459300		AIR_CYLINDER_BRACKET				*		1	
6		40058211		MOVING_KNIFE				*		1	
7		13458104		SHOULDER_SCREW				*		1	
8		WP0430800SC		WASHER M4				*		2	
9		SM6040802TN		SCREW				*		2	
10		13458203		COLLAR				*		1	
11		SM8050512TP		SCREW				*		2	
12		13458302		KNIFE HOLDER				*		1	
13		SM8030450SP		SCREW M3 L=4				*		1	
14		NM6030001SD		NUT M3X0.5				*		1	
15		13458401		SPRING				*		1	
16		SM4850455SP		SCREW				*		1	
17		40029004		FIXED_KNIFE				*		1	
18		SM4850455SP		SCREW				*		2	
19		13458005		MOVING_KNIFE HOLDER				*		1	
20		40050570		BRACKET_2						1	
21		40050569		BRACKET						1	
22		SM6040802TN		SCREW						6	
23		WP0450826SC		WASHER 4.5X10X0.8						4	
24		WP0430800SC		WASHER M4						2	

ACCESSORIE PART COMPONENTS



ACCESSORIE PART COMPONENTS

No.	Supply Code	Parts No.	Replacement	Parts name	Remarks	Choice	Step	Level	Cons	Qty	Rep. QTY
1		13442058		AIR_BLOW_TUBE_ASSY						1	
2		SM4040655SP		SCREW M4 L=6						2	
3		PJ032526001		HOSE NIPPLE						1	
4		EA9500B0100		CABLE BAND						4	
5		40018052		FILTER_REGULATOR_ASSY						1	
6		PF0552070C0		FILTER GEGULATOR				*		1	
7		F1021003000		HOSE JOINT				*		1	
8		PJ301065201		HALF UNION 6XPT1/4				*		1	
9		SK3452001SE		WOOD SCREW D=4.5 L=20						2	
10		MTSP0115000A		MOTOR PULLEY	FOR SC-510					1	
11		40019309		PLATE_WASHER_UT						1	
12		13316302		THREAD_TRIMMER						1	
13		MTJVM003600		V-BELT, 36 INCH	FOR SC-510					1	
14		BT0600401EB		TUBE						2	
15		40026920		SYNCHRONIZERASM.	FOR SC-500,510					1	
16		MTJVM003500		V-BELT, 35 INCH	FOR SC-500					1	
17		40021727		RESISTOR PACK BL ASM.	FOR MF-7-700(SC-500)					1	
18		SM4041055SP		SCREW	FOR SC-500					1	
19		WP0430800SD		WASHER M4	FOR SC-500					1	
20		40082313		STOPPER ASM	FOR SC-500,510					1	
21		SM4040855SP		SCREW						2	
22		40083598		RESISTOR PACK AA ASM.	FOR MF-7-700D(SC-500)					1	

HOW TO MAKE USE OF THIS PARTS LIST

- 1.As to "#01" and "#02" refer to the "Note" given at the bottom of the respective pages.
- 2.Codes on the "Qty" column
 - Each numeral indicates the number of parts required.
 - "0.1" and "2.5" indicate the length (in meters) of the respective parts.
- 3.Parentheses mean that the corresponding part is a subpart that constructs an assembly part.
- 4.Dotted lines on the Figures indicate assembly parts.

ALL PARTS NOT MENTIONED IN THIS PARTS LIST ARE SAME AS THOSE OF
MODEL MF-7700. OTHER PARTS LIST RELATED TO THIS MODEL.
*MF-7700 SERIES (NO.1375 PART NO.13370002)

NUMERICAL INDEX OF PARTS

PART NO	PAGE	REF NO.	PART NO	PAGE	REF NO.	PART NO	PAGE	REF NO.
13138201	2	20	40018085	8	42·66	40050569	12	21
13140504	2	23	40018259	10	62	40050570	12	20
13301908	4	28	40019304	6	31	40058211	12	6
13302302	4	27	40019305	6	3	40065784	2	15
13302500	4	29	40019306	6	4	40065785	2	5
13302708	4	18	40019307	6	6	40066136	2	10
13303003	4	26	40019308	6	7	40069703	10	74
13303508	4	11	40019309	6	10	40072396	8	10
13304308	4	16	40019309	14	11	40082313	14	20
13305206	4	13	40019310	6	11	40083598	14	17·22
13305305	4	23	40019311	6	13	B1214038000	6	18
13316302	14	12	40019312	6	14	B2008372000	2	14
13340203	2	11	40019313	6	15	B3121804000	2	26
13340302	2	12	40019314	6	16	B322877100B	6	28
13340500	2	25	40019315	6	20	BT0400251EB	8	44~52
13340609	2	17	40019316	6	23	BT0400251EB	10	44~52
13340708	2	18	40019317	6	25	BT0600401EB	14	14
13341607	2	16	40019318	6	26	CM300200001	4	32
13442058	14	1	40019319	6	29	EA9500B0100	10	58
13442504	8	9	40019320	8	20	EA9500B0100	14	4
13442801	8	28	40019321	8	19	F1021003000	14	7
13442900	8	22	40019322	8	26	HX00150000B	10	69
13443007	8	24	40019323	6	33	HX003140000	10	55·71~ 73
13443205	8	32	40019325	4	3			
13443304	10	61	40019326	4	7	HX00314000A	10	55·71~ 73
13443601	8	21	40019327	4	25			
13443700	8	29	40019329	4	10	HX00314000D	10	55·71~ 73
13455001	8	3	40019330	4	9	MTJVM003500	14	13·16
13455100	8	4	40019332	4	22	MTJVM003600	14	13·16
13456009	2	31	40019333	4	21	MTSP0115000A	14	10
13456108	2	8	40019336	6	1	NM6030001SD	12	14
13456207	2	29	40019337	8	8	NM6040003SD	4	6
13456405	2	2	40021279	12	1	NM6080003SD	8	35
13456553	2	1	40021727	14	17·22	PA0602006A0	12	2
13456603	2	28	40021746	8	40	PA2001802A0	8	17
13458005	12	19	40026920	14	15	PA2503004A0	8	2
13458104	12	7	40027211	10	41·65	PC010508000	8	18
13458203	12	10	40027213	10	42·66	PC010508000	12	3
13458302	12	12	40029004	12	17	PC012401000	10	54
13458401	12	15	40040273	4	1	PF0552070C0	14	6
13459300	12	5	40042362	2	19	PH0500400C0	4	12
22901805	8	34	40042363	2	13	PJ025100002	8	14
40018052	14	5	40042364	2	24	PJ032526001	14	3
40018079	8	1	40042365	2	22	PJ301065201	14	8
40018084	8	41·65	40042366	2	21	PJ304040504	12	4

NUMERICAL INDEX OF PARTS

PART NO	PAGE	REF NO.	PART NO	PAGE	REF NO.
PJ304045102	8	5	SM6850300SP	6	21
PJ304065101	8	13	SM6850400SP	6	19
PJ308040006	10	53	SM8030412TP	2	27
PS0300122KH	6	17	SM8030450SP	12	13
PV035161000	8	11	SM8040360TP	2	30
PV150103200	8	15	SM8040360TP	4	19
PX055104000	8	12	SM8050512TP	12	11
PX500014000	8	38	TA0850604R0	4	30
RE0300000K0	2	4	WP0250516SD	6	22
RE0300000K0	4	14	WP0430800SC	8	30
SD0600206TP	6	27	WP0430800SC	12	24
SD0600266TP	4	4	WP0430800SD	14	19
SD0640216TP	6	30	WP0450826SC	12	23
SD0640216TP	8	37	WP0531000SD	4	31
SD0700706TP	8	39	WP0550800SP	4	15
SK3452001SE	14	9	WP0621016SD	8	6
SM1040800SP	4	2	WS0610002KP	8	43
SM1850600SP	6	5	WT0430002KN	10	67
SM1850800SP	6	12	WZ0641510KP	4	5
SM4030455SP	10	63			
SM4031001SN	10	60			
SM4040501SN	10	68			
SM4040655SP	2	6			
SM4040655SP	4	20			
SM4040655SP	8	70			
SM4040655SP	10	70			
SM4040655SP	14	2			
SM4040855SP	14	21			
SM4041055SP	2	9			
SM4041055SP	14	18			
SM4041655SP	2	7			
SM4043555SP	8	16			
SM4850455SP	12	18			
SM6040502TP	6	24			
SM6040802TN	12	22			
SM6040802TP	8	31			
SM6041002TP	6	32			
SM6041202TP	10	64			
SM6050802TP	10	75			
SM6051002TP	8	23			
SM6061002TP	10	59			
SM6061202TP	8	25			
SM6061400SP	8	7			
SM6084002TN	8	36			
SM6850300SP	4	8			