

MODEL : MO-6904J-0F6/MO-6914J-CH6/MO-6916J-FH6

List No : 1373-05

# PARTS LIST

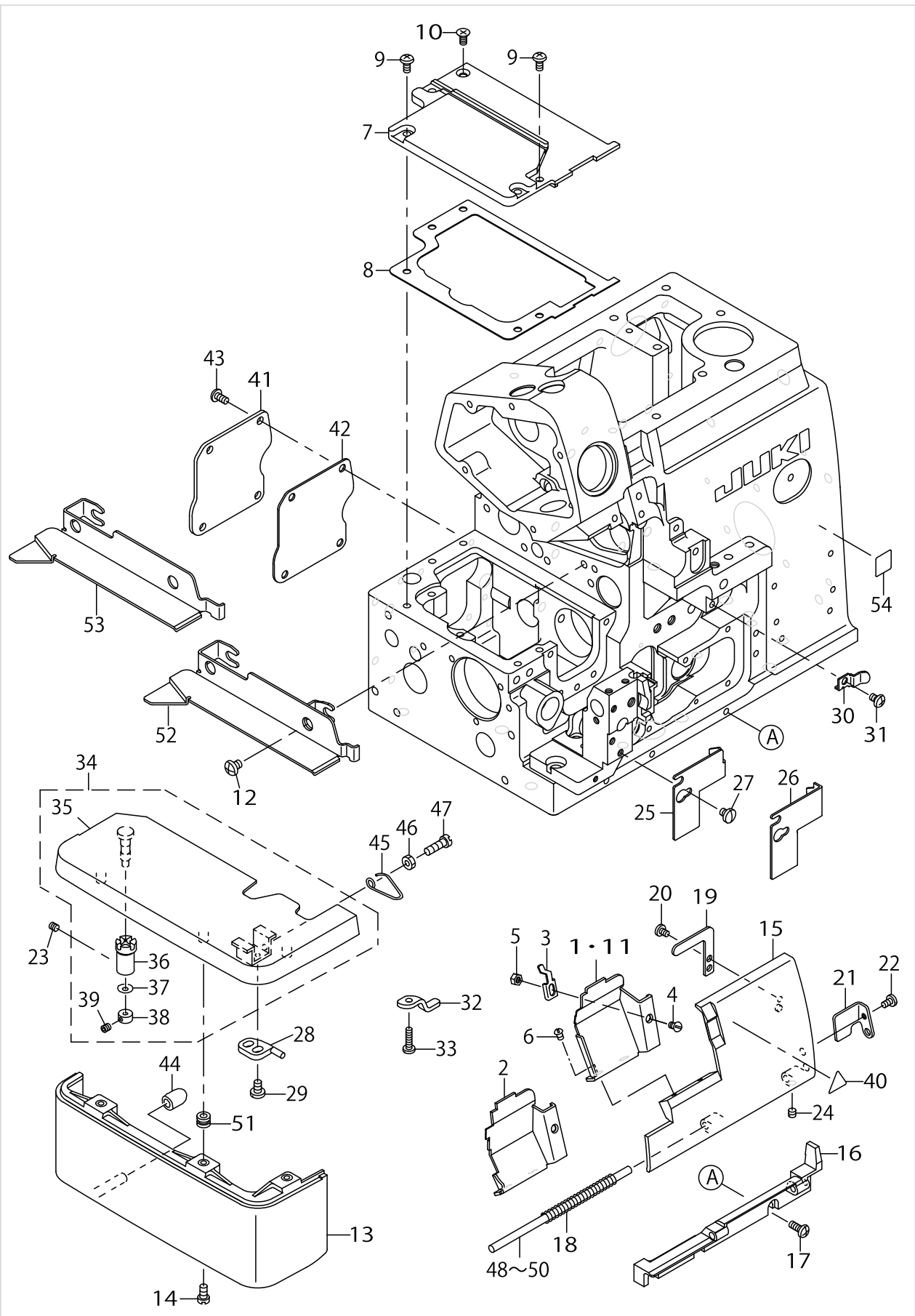
Published:05/12/2017

## CONTENTS

---

MISCELLANEOUS COVER COMPONENTS (1).....	1
MISCELLANEOUS COVER COMPONENTS (2).....	5
CRANKSHAFT COMPONENTS .....	9
NEEDLE DRIVING SHAFT COMPONENTS.....	13
FEED MECHANISM COMPONENTS (1).....	17
FEED MECHANISM COMPONENTS (2).....	19
UPPER FEED MECHANISM COMPONENTS (1).....	23
UPPER FEED MECHANISM COMPONENTS (2).....	27
UPPER & LOWER LOOPER COMPONENTS.....	31
CHAIN LOOPER COMPONENTS (FOR MO-6916J).....	35
PRESSER FOOT COMPONENTS (1).....	37
PRESSER FOOT COMPONENTS (2).....	41
THREAD TENSION COMPONENTS.....	43
LOWER KNIFE COMPONENTS.....	47
UPPER KNIFE COMPONENTS.....	51
NEEDLE COOLING MECHANISM COMPONENTS.....	53
LUBRICATION MECHANISM COMPONENTS.....	55
SEMI-SUNKEN TYPE TABLE COMPONENTS.....	59
FULLY-SUNKEN TYPE TABLE COMPONENTS.....	61
STAND COMPONENTS (Z·T).....	63
THREAD STAND COMPONENTS (FOR MO-6904J,MO-6914J).....	65
THREAD STAND COMPONENTS (FOR MO-6916J).....	67
SPECIAL ORDER PARTS COMPONENTS.....	69
ACCESSORIES PARTS COMPONENTS .....	71
SUBCLASSES.....	73
LIST FOR INFORMATION OF CHANGE.....	75
HOW TO MAKE USE OF THIS PARTS LIST .....	76

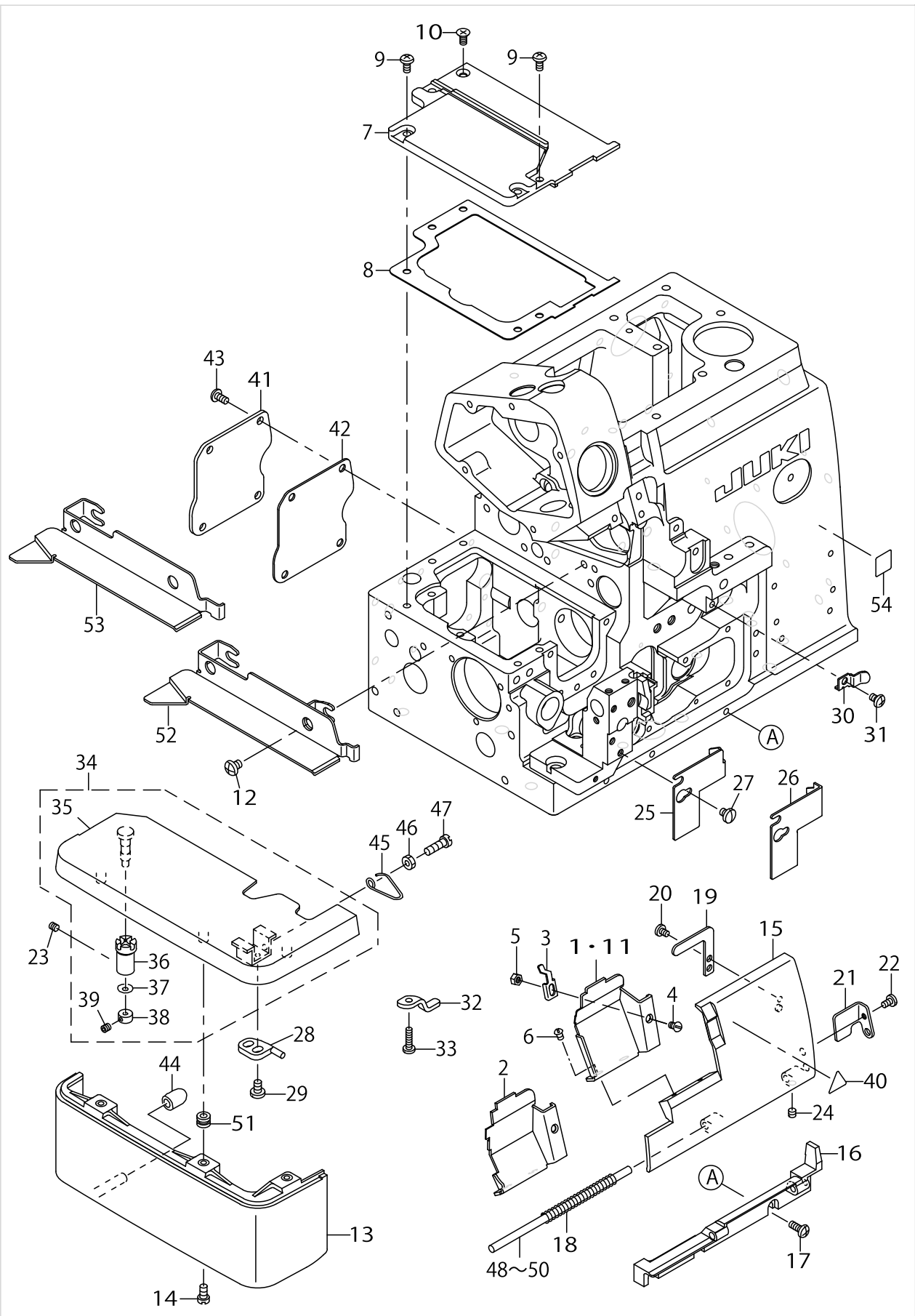
MISCELLANEOUS COVER COMPONENTS (1)



MISCELLANEOUS COVER COMPONENTS (1)

No.	Supply Code	Parts No.	Replacement	Parts name	Remarks	Choice	Step	Level	Cons	Qty	Rep. QTY
1		13104104		CROTH WASTE COVER	FOR MO-6904J					1	
2		13105507		CROTH WASTE COVER	FOR MO-6916J					1	
3		13102405		CROTH WASTE COVER STOPPER						1	
4		SS2090520SL		SCREW 9/64-40 L=5						1	
5		NS6090310SN		NUT 9/64-40						1	
6		SS3090610SP		SCREW 9/64-40 L=6						2	
7		13200704		FEED MECHANISM COVER						1	
8		13200803		FEED MECHANISM COVER GASKET						1	
9		SM4040855SP		SCREW						4	
10		SM1040801SC		SCREW M4X0.7 L=8						1	
11		31200900		CROTH WASTE COVER	FOR MO-6914J					1	
12		SS4120615SP		SCREW 3/16-28 L=6						2	
13		13103809		CLOTH BASE COVER						1	
14		SS4091015SP		SCREW 9/64-40 L=10						2	
15		13100904		LOOPER COVER						1	
16		13100805		LOOPER COVER BRACKET						1	
17		SM4041055SP		SCREW						3	
18		13101209		LOOPER COVER SPRING						1	
19		13101407		LOOPER COVER PRESSER PLATE						1	
20		SS7090530SP		SCREW 9/64-40 L=4.5						1	
21		13101001		LOOPER COVER GUIDE PLATE						1	
22		SS7090610SP		SCREW 9/64-40 L=6						1	
23		SS8110410TP		SCREW 11/64-40 L=3.5						1	
24		SS8110410TP		SCREW 11/64-40 L=3.5						1	
25		13101506		CLOTH WASTE COVER LEFT	FOR MO-6-904J,MO-6914J					1	
26		13101605		CLOTH WASTE COVER LEFT	FOR MO-6916J					1	
27		SS7110510SP		SCREW 11/64-40 L=5						2	
28		13101704		STOPPER						1	
29		SS7110710SP		SCREW 11/64-40 L=7						2	
30		13101308		LOOPER COVER PRESSER SPRING						1	
31		SM4040655SP		SCREW M4 L=6						1	
32		13101803		CROTH BASE SUPPORT PLATE						1	
33		SS7091410SP		SCREW 9/64-40 L=13.5						1	
34		13103650		CROTH BASE CMPL.						1	
35	R	13102058	13103650	CROTH BASE ASM.				*		1	1.00
36		13101902		CROTH BASE ECCE-NTRIC BUSHING				*		1	
37		WZ0420350KP		DISC SPRING				*		1	
38		13172903		CROTH BASE HINGE SHAFT COLLAR				*		1	
39		SM8040302TP		SETSCREW				*		1	
40		CM300200001		ATTENTION SEAL						1	
41		40102307		ADJUSTING_HOLE_COVER						1	
42		13201603		ADJUSTING HOLE COVER GASKET						1	
43		SM4040855SP		SCREW						4	
44		13104302		CLOTH BASE COVER RUBBER PLUG						1	

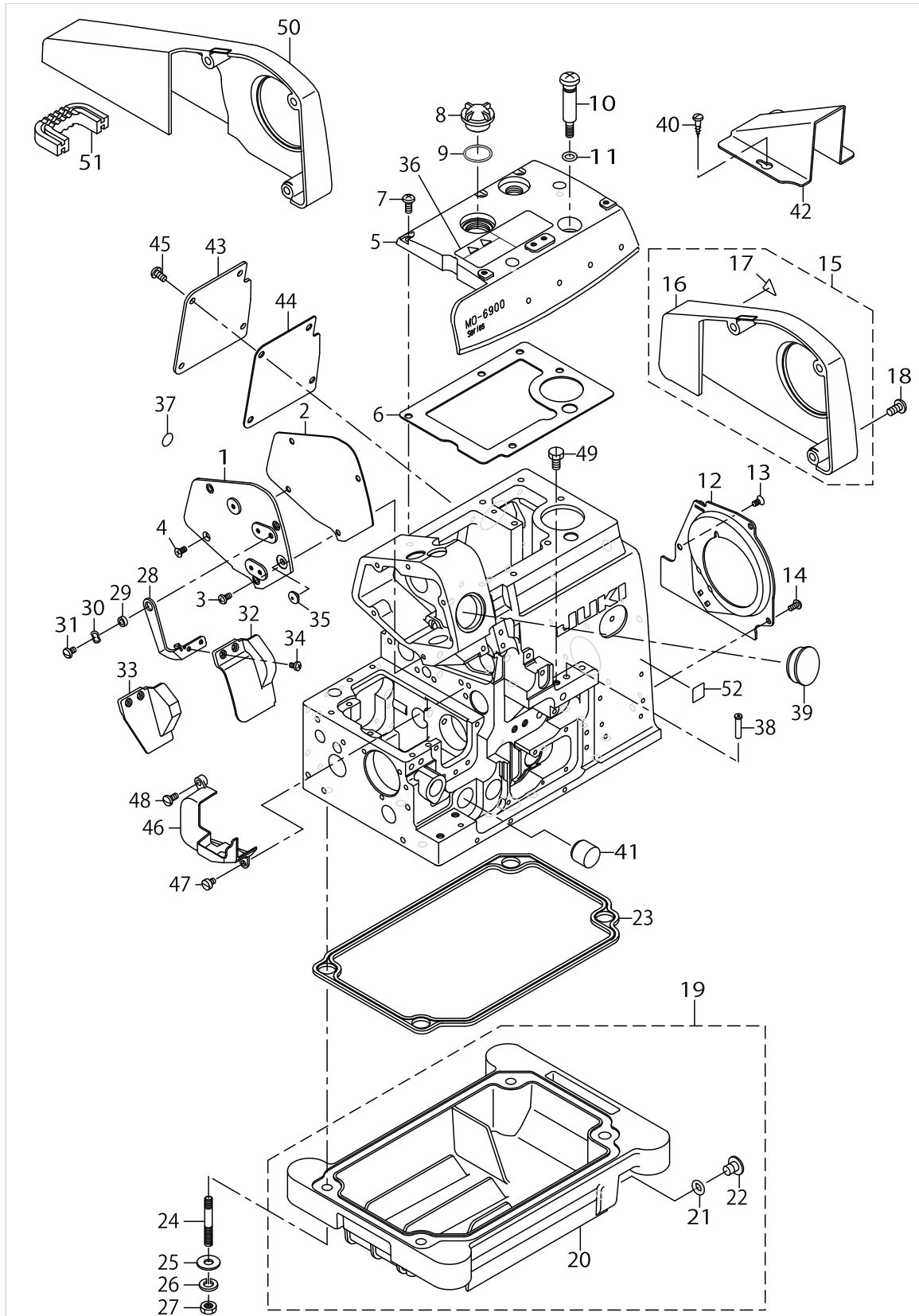
MISCELLANEOUS COVER COMPONENTS (1)



MISCELLANEOUS COVER COMPONENTS (1)

No.	Supply Code	Parts No.	Replacement	Parts name	Remarks	Choice	Step	Level	Cons	Qty	Rep. QTY
45		13102207		CLOTH BASE SWITCH-TYPE SPRING						1	
46		NS6110420SP		NUT 11/64-40						1	
47		SS6111440SP		SCREW 11/64-40 L=14.0						1	
48		13240007		LOOPER COVER HINGE SHAFT A	SELECTIVE PARTS					1	
49		13240106		LOOPER COVER HINGE SHAFT B	SELECTIVE PARTS					1	
50		13240205		LOOPER COVER HINGE SHAFT C	SELECTIVE PARTS					1	
51		13103700		CLOTH BASE COVER BUSHING						3	
52		12385258		CLOTH PLATE SIDE COVER	FOR MO-6-904J,MO-6914J					1	
53		12385357		CLOTH PLATE SIDE COVER	FOR MO-6916J					1	
54		40150131		EAC_MARK_LABEL_S	FOR JE					1	

MISCELLANEOUS COVER COMPONENTS (2)

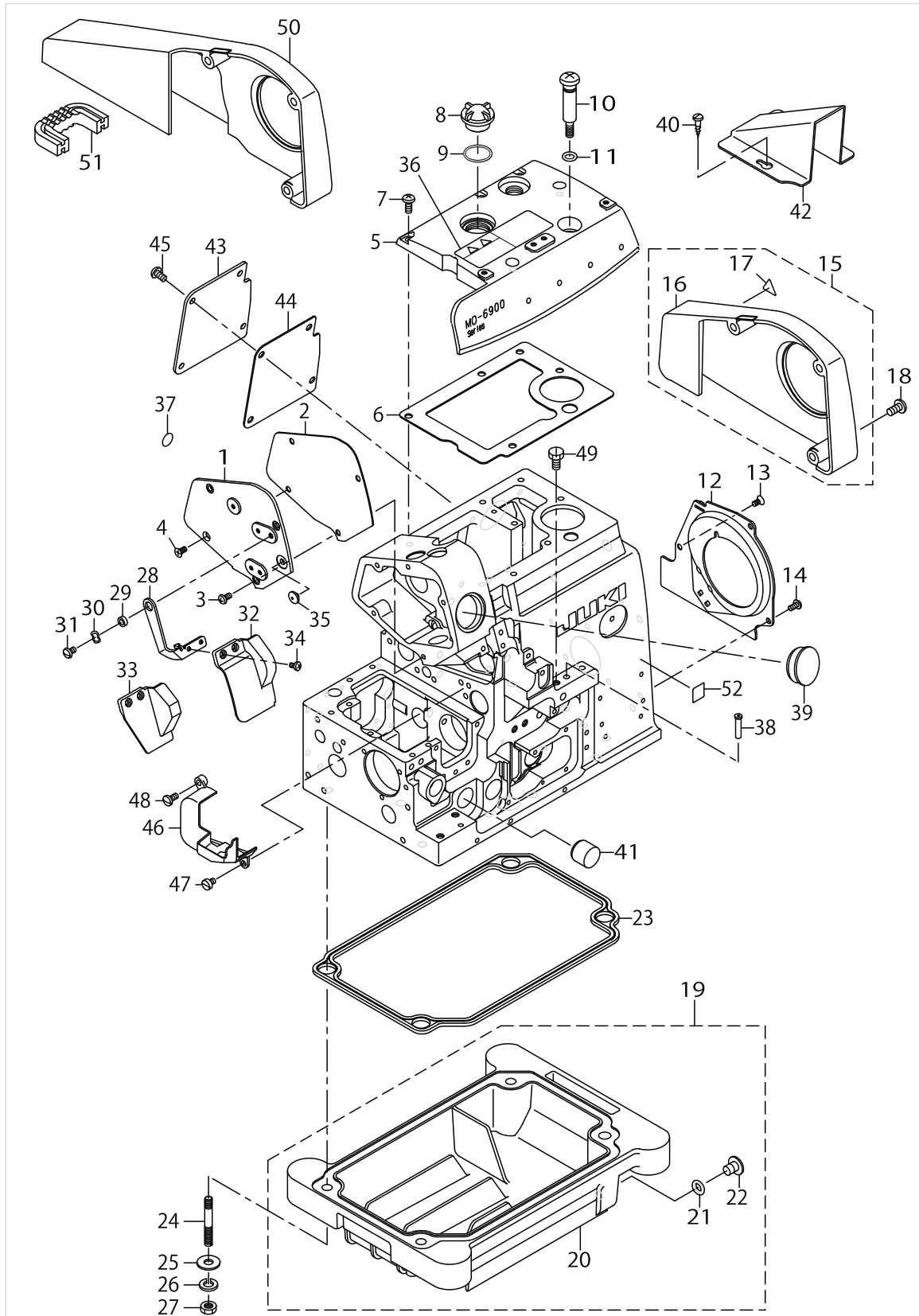


MISCELLANEOUS COVER COMPONENTS (2)

No.	Supply Code	Parts No.	Replacement	Parts name	Remarks	Choice	Step	Level	Cons	Qty	Rep. QTY
1		13200209		SIDE COVER						1	
2		13200308		SIDE COVER GASKET						1	
3		SM4040855SP		SCREW						3	
4		SM1040801SC		SCREW M4X0.7 L=8						1	
5		13200407		UPPER COVER						1	
6		13200605		UPPER COVER GASKET						1	
7		SM4051255SP		SCREW M5 L=12						5	
8		22924708		OIL SIGHT WINDOW						1	
9		13170006		RUBBER RING						1	
10		13104500		OIL DRAIN SCREW						1	
11		13170204		RUBBER RING						1	
12		13201009		COOLING FAN PLATE						1	
13		SM1040801SC		SCREW M4X0.7 L=8						1	
14		SM4040855SP		SCREW						2	
15		13201454		BELT COVER ASM.	VARIOUS NOS. FOR DESTINATIONS					1	
16	R	13201405	13201454	BELT COVER				*		1	1.00
17		CM300200001		ATTENTION SEAL				*		1	
18		SS4151215SP		SCREW 15/64-28L=12						3	
19		13102553		OIL RESERVOIR ASM.						1	
20	R	13102504	13102553	OIL RESERVOIR				*		1	1.00
21		13170105		RUBBER RING				*		1	
22	R	13171004	SM0081001SD	DRAIN SCREW				*		1	1.00
23		13102603		OIL RESERVOIR GASKET						1	
24		13103908		SCREW STUD						4	
25		WP0751576SD		WASHER 7.5X19X1.5						4	
26		WS0822010KP		SPRING WASHER 8.2X15X2						4	
27		NS6680410SP		NUT 9/32-28						4	
28		13201108		SAFETY PLATE BRACKET						1	
29		13104807		SAFETY PLATE BRACKET COLLAR						1	
30		WZ0850302K0		WAVED WASHER 8.5X12.5X0.3						1	
31		SS5110710SP		SCREW 11/64-40 L=7						1	
32		13201306		SAFETY PLATE	FOR MO-6916J					1	
33		13201207		SAFETY PLATE	FOR MO-6-904J,MO-6914J					1	
34		SS7090611SL		SCREW 9/64-40 L=6.1						2	
35		13204003		SAFETY PLATE BUSH						1	
36		CM301300001		SAFETY LABEL						1	
37		22901805		GROUND MARK						1	
38		13102900		THREAD GUIDE LARGE						2	
39		10753309		WINDOW PLATE RUBBER PLUG						1	
40		SK3412001SE		WOOD SCREW D=4.1 L=20	FOR JE,JUS					2	
41		TA1871602R0		RUBBER PLUG	FOR MO-6-904J,MO-6914J					1	
42		13160700		BELT COVER (B)	FOR JE,JUS					1	
43		13270400		REAR COVER						1	
44		13270509		REARCOVERGASKET						1	



MISCELLANEOUS COVER COMPONENTS (2)



MISCELLANEOUS COVER COMPONENTS (2)

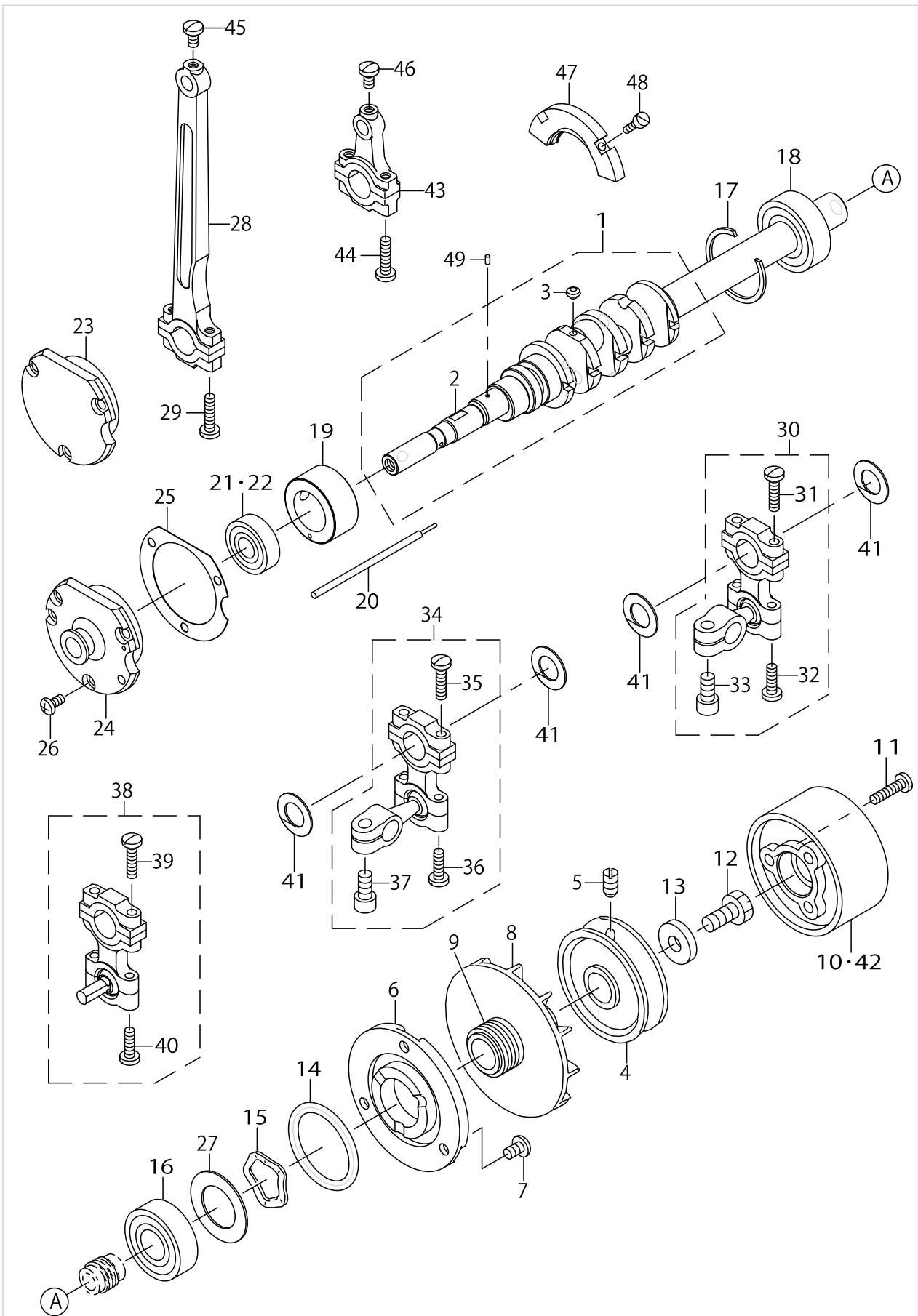
No.	Supply Code	Parts No.	Replacement	Parts name	Remarks	Choice	Step	Level	Cons	Qty	Rep. QTY
45		SM4051055SP		SCREW						4	
46		31200504		UPPER FEED COVER						1	
47		SS6110610TP		SCREW 11/64-40 L=6						1	
48		SS7110910TP		SCREW 11/64-40 L=8.5						1	
49		SS9151210TP		SCREW 15/64-28 L=11.8						1	
50		40037392		BELT COVER C	VARIOUS NOS. FOR DESTINATIONS					1	
51		40040065		VIBRATION PROOF RUBBER	VARIOUS NOS. FOR DESTINATIONS					1	
52		CM600100101		WEEE MARK LABEL S	FOR JE					1	



CRANKSHAFT COMPONENTS

No.	Supply Code	Parts No.	Replacement	Parts name	Remarks	Choice	Step	Level	Cons	Qty	Rep. QTY
1		13205554		CRANKSHAFT ASM.						1	
2	R	13205505	13205554	CRANKSHAFT				*		1	1.00
3		SS5080212TP		SCREW 1/8-44 L=2				*		5	
4		12002606		HANDWHEEL A						1	
5		SS8151150TP		SCREW 15/64-28 L=10.5						2	
6		13107800		THRUST COLLAR						1	
7		SM4050855SP		SCREW						3	
8		13108402		COOLING FAN						1	
9	R	12280103	13108501	OIL SHIELD						1	1.00
10		13107701		HANDWHEEL	FOR MO-6914J					1	
11		SS7111810TP		SCREW 11/64-40L=18						3	
12		SS9681610TP		SCREW 9/32-28 L=16						1	
13		WP0764016SP		WASHER						1	
14		13170303		RUBBER RING						1	
15		WZ2640310KH		WAVED WASHER 26.4X33.9X3.5						1	
16		13108600		CRANKSHAFT BALL BEARING B						1	
17		40022239		BEARING RETAINER						1	
18		13108600		CRANKSHAFT BALL BEARING B						1	
19		13205406		CRANKSHAFT BUSHING C						1	
20		13104906		OIL ADJUSTING BAR						1	
21	R	B1215804000	13108808	BALL BEARING D	FOR MO-6-904J,MO-6914J					1	1.00
22	R	SB110000300	13108907	BALL BEARING	FOR MO-6916J					1	1.00
23	R	12343406	13108006	CRANKSHAFT BUSHING D	FOR MO-6-904J,MO-6914J					1	1.00
24		13108105		CRANKSHAFT BUSHING D	FOR MO-6916J					1	
25		12108403		GASKET						1	
26		SM4040855SP		SCREW						3	
27		13108303		BEARING HOLDING PLATE						1	
28	R	12372603	12372652	CONNECTING ROD						1	1.00
29		SS7111810TP		SCREW 11/64-40L=18						2	
30	R	12375051	70003341	UPPER LOOPER ARM ASM.						1	1.00
31		SS7111810TP		SCREW 11/64-40L=18				*		2	
32		SS7111410TP		SCREW 11/64-40L=14				*		2	
33		SM6061202TP		SCREW M6 L=12				*		1	
34		12375150		LOWER LOOPER ARM A ASM.	FOR MO-6-904J,MO-6914J					1	
35		SS7111810TP		SCREW 11/64-40L=18				*		2	
36		SS7111410TP		SCREW 11/64-40L=14				*		2	
37		SM6061202TP		SCREW M6 L=12				*		1	
38		12375259		LOWER LOOPER ARM B ASM.	FOR MO-6916J					1	
39		SS7111810TP		SCREW 11/64-40L=18				*		2	
40		SS7111410TP		SCREW 11/64-40L=14				*		2	
41		40017824		LOOPER LOD STOPPER						4	
42		12025706		FLYWHEEL (C)	FOR MO-6-904J,MO-6916J					1	
43	R	12132106	13232558	KNIFE DRIVING ROD						1	1.00
44		SS7111810TP		SCREW 11/64-40L=18						2	
45		SS7110840SP		SCREW 11/64-40 L=7.8						1	

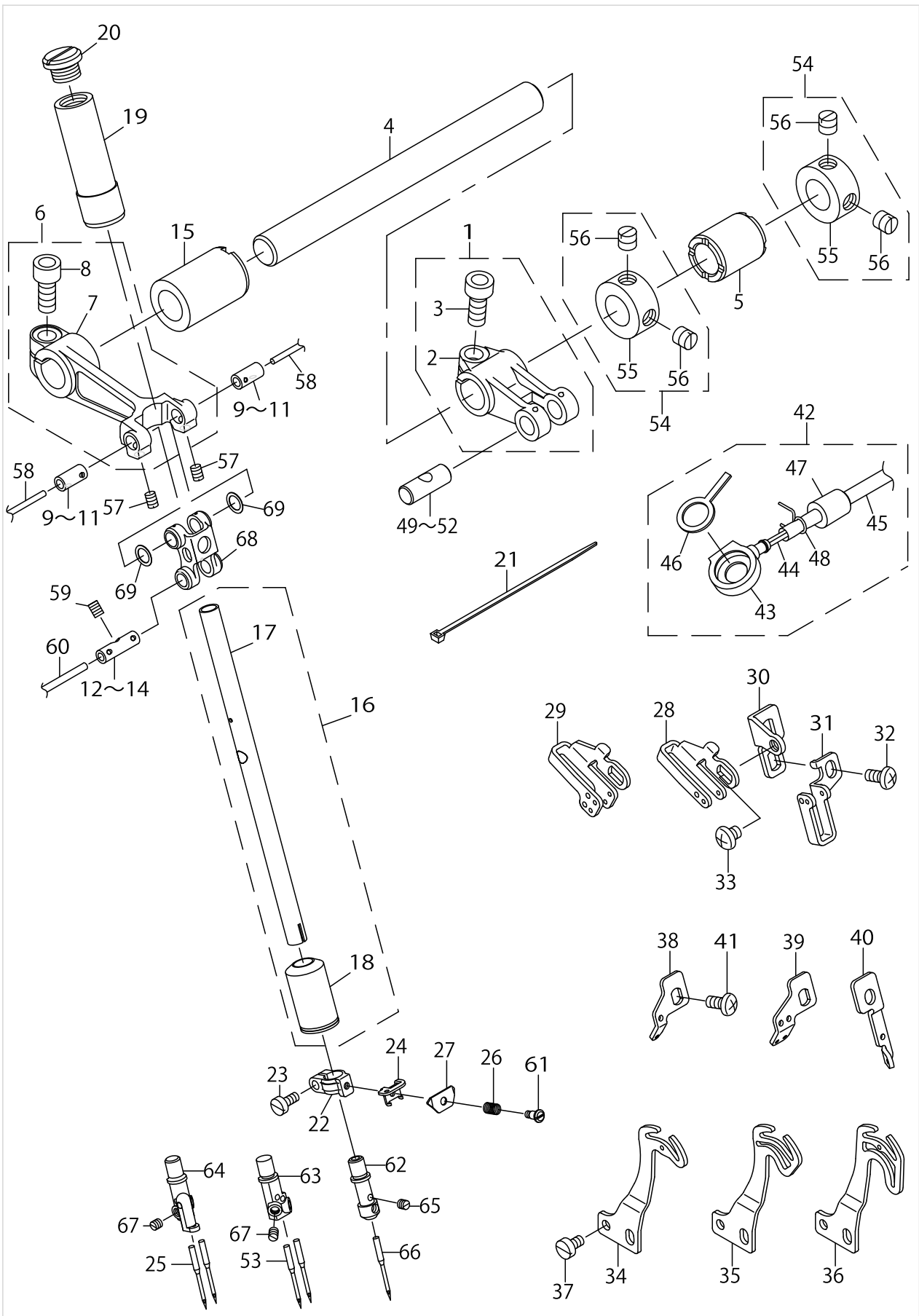
CRANKSHAFT COMPONENTS



CRANKSHAFT COMPONENTS

No.	Supply Code	Parts No.	Replacement	Parts name	Remarks	Choice	Step	Level	Cons	Qty	Rep. QTY
46		SS7110840SP		SCREW 11/64-40 L=7.8						1	
47		40017714		BALANCER						1	
48		SS6081210TP		SCREW 1/8-44 L=12						2	
49		40035711		OIL WICK						1	

NEEDLE DRIVING SHAFT COMPONENTS

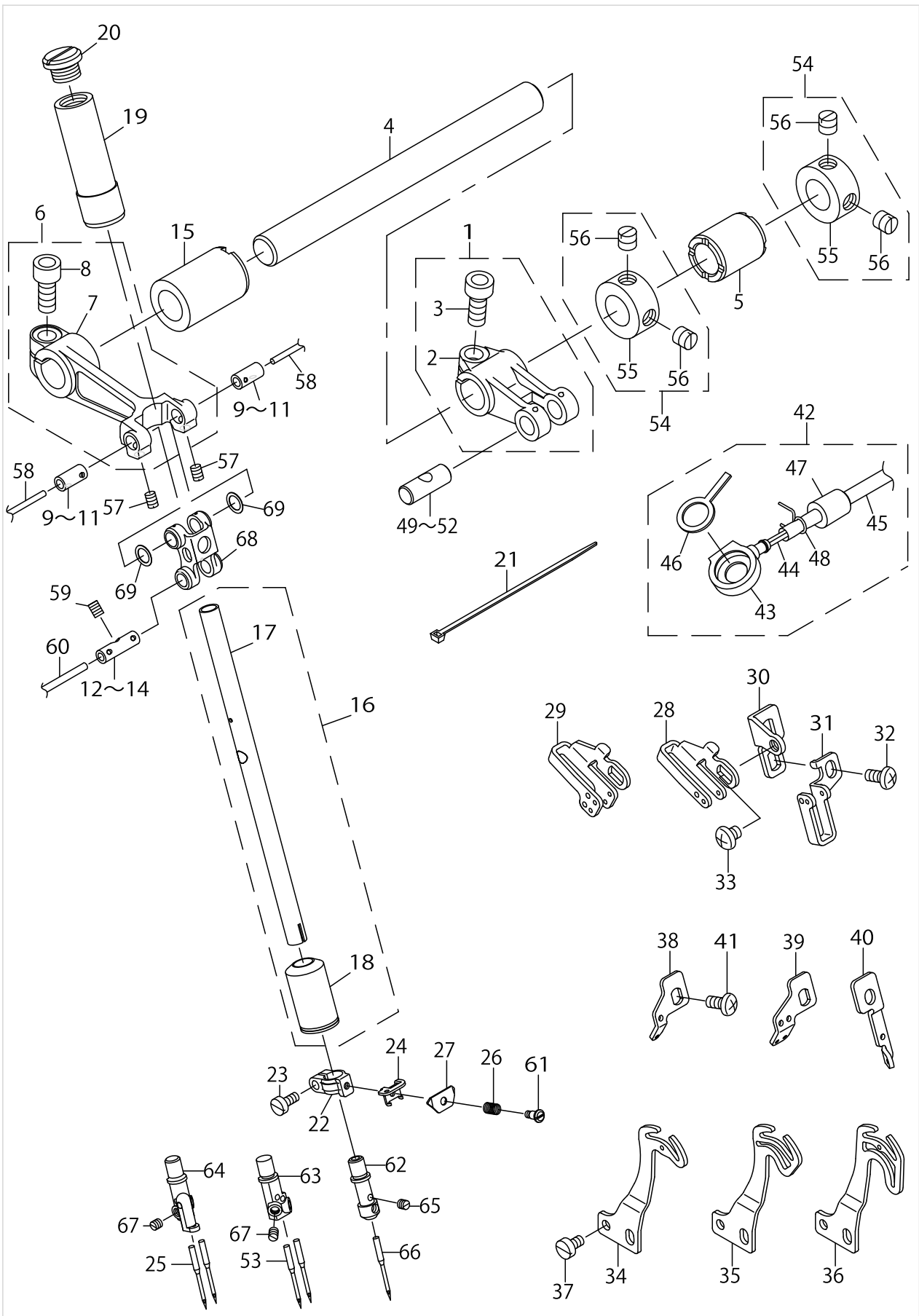


NEEDLE DRIVING SHAFT COMPONENTS

No.	Supply Code	Parts No.	Replacement	Parts name	Remarks	Choice	Step	Level	Cons	Qty	Rep. QTY
1	D	12280756		FEED FORKED CRANK ASM.						1	
2	R	12280707	13110556	FEED FORKED CRANK				*		1	1.00
3		SM6061402TP		SCREW M6 L=14				*		1	
4		13110606		NEEDLE DRIVING SHAFT						1	
5	R	12280301	13110101	BUSHING REAR						1	1.00
6		13207956		NEEDLE DRIVING ARM ASM.						1	
7	R	13207907	13207956	NEEDLE DRIVING ARM				*		1	1.00
8		SM6061402TP		SCREW M6 L=14				*		1	
9		13209101		NEEDLE DRIVING ARM PIN A	SELECTIVE PARTS					2	
10		13209200		NEEDLE DRIVING ARM PIN B	SELECTIVE PARTS					2	
11		13209309		NEEDLE DRIVING ARM PIN C	SELECTIVE PARTS					2	
12		13209408		NEEDLE DRIVING PIN A	SELECTIVE PARTS					1	
13		13209507		NEEDLE DRIVING PIN B	SELECTIVE PARTS					1	
14		13209606		NEEDLE DRIVING PIN C	SELECTIVE PARTS					1	
15		13110002		BUSHING REAR						1	
16		13210158		NEEDLE ROD (C) ASM.						1	
17		13210109		NEEDLE ROD (C)				*		1	
18	R	13207709	13208350	NEEDLE ROD BUSHING LOWER				*		1	1.00
19		13207600		NEEDLE HOLDER BUSHING UPPER						1	
20		13207808		NEEDLE ROD BUSHING CAP SCREW						1	
21		EA9500B0100		CABLE BAND						1	
22		12304309		NEEDLE CLAMP HOLDER						1	
23		SS6080720SP		SCREW						1	
24		31203201		NEEDLE THREAD PRESSER GUIDE						1	
25		MDO500S2100		DOX5 S #21S	FOR MO-6916J					2	
26		40014730		NEEDLE THREAD PRESSER SPRING						1	
27		31203300		NEEDLE THREAD PRESSER PLATE						1	
28		13208806		NEEDLE THREAD GUIDE	FOR MO-6-904J,MO-6916J					1	
29		13208905		THREAD GUIDE 2-NEEDLE	FOR MO-6914J					1	
30		13208707		NEEDLE THREAD GUIDE BASE						1	
31		12386603		THREAD GUIDE CHAIN LOOPER	FOR MO-6916J					1	
32		SM4040855SP		SCREW						2	
33		SS4110515SP		SCREW 11/64-40 L=5						1	
34		31202609		NEEDLE THREAD TAKE-UP LEVER	FOR MO-6904J					1	
35		31202708		TAKE-UP LEVER GUIDE 2-NEEDLE	FOR MO-6914J					1	
36		31202906		TAKE-UP LEVER CHAIN LOOP	FOR MO-6916J					1	
37		SS6090670TP		SCREW 9/64-40 L=6						2	
38		13210208		NEEDLE THREAD BALANCE GUIDE	FOR MO-6-904J,MO-6916J					1	
39		13210307		TAKE-UP LEVER GUIDE 2-NEEDLE	FOR MO-6914J					1	
40		12372405		CHAIN LOOP	FOR MO-6916J					1	
41		SM4040855SP		SCREW						1	
42		13272554		ONCE THROUGH OIL PIPE ASM.						1	
43		13272505		ONCE THROUGH OIL COVER				*		1	
44		CQ200000000		OIL WICK				*		0.68	
45		23630007		TUBE				*		0.34	



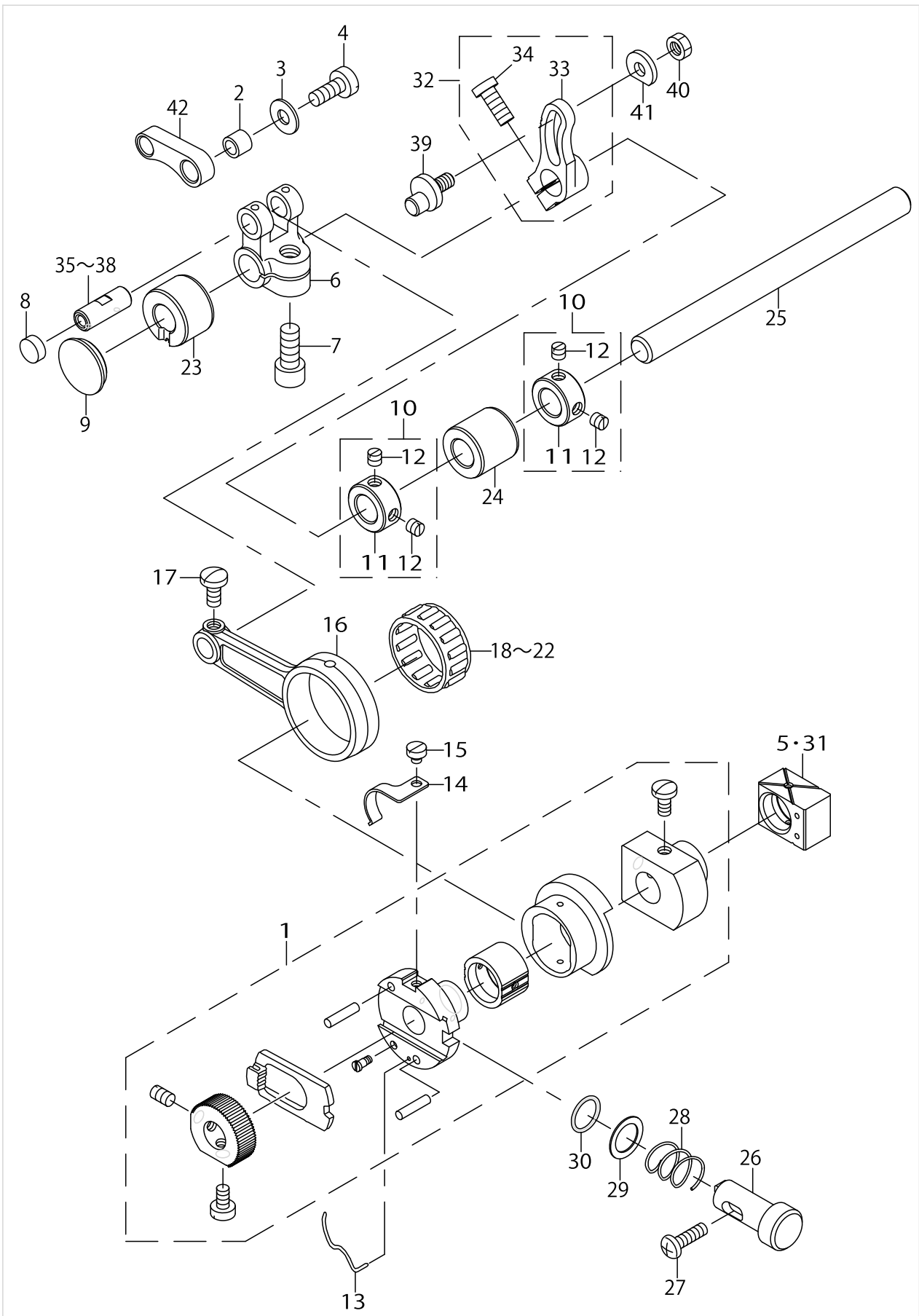
NEEDLE DRIVING SHAFT COMPONENTS



NEEDLE DRIVING SHAFT COMPONENTS

No.	Supply Code	Parts No.	Replacement	Parts name	Remarks	Choice	Step	Level	Cons	Qty	Rep. QTY
46		13208608		ONCE THROUGH OIL FELT				*		1	
47		13244009		ONCE THROUGH OIL PIPE BUSHING				*		1	
48		13142609		OIL TUBE HOLDER				*		1	
49		13122007		CRANK PIN A	SELECTIVE PARTS					1	
50		13122106		CRANK PIN B	SELECTIVE PARTS					1	
51		13122205		CRANK PIN C	SELECTIVE PARTS					1	
52		13122304		CRANK PIN D	SELECTIVE PARTS					1	
53		MDO500S1800		DOX5 S #18S	FOR MO-6914J					2	
54		13172754		THRUST COLLAR ASM.						2	
55		13172705		THRUST COLLAR				*		1	
56		SS8660610TP		SCREW 1/4-40 L=6				*		2	
57		SS8090530TP		SCREW 9/64-40 L=5.0						2	
58		CQ202000000		OIL WICK						.09	
59		SS8090530TP		SCREW 9/64-40 L=5.0						1	
60		CQ252000000		OIL WICK						.04	
61		40014729		NEEDLE THREAD P-RESSER SCREW						1	
62		13255005		NEEDLE CLAMP 1-NEEDLE	FOR MO-6904J					1	
63		13255104		NEEDLE CLAMP 2-NEEDLE	FOR MO-6914J					1	
64		13255203		CHAIN LOOPER NEEDLE CLAMP	FOR MO-6916J					1	
65		SS8080310TP		SCREW 1/8-44 L=2.8	FOR MO-6904J					1	
66		MDO500S2100		DOX5 S #21S	FOR MO-6904J					1	
67		SS8080310TP		SCREW 1/8-44 L=2.8	FOR MO-6-914J,MO-6916J					2	
68		13208004		NEEDLE DRIVING LINK						1	
69		13208103		NEEDLE DRIVING LINK WASHER						2	

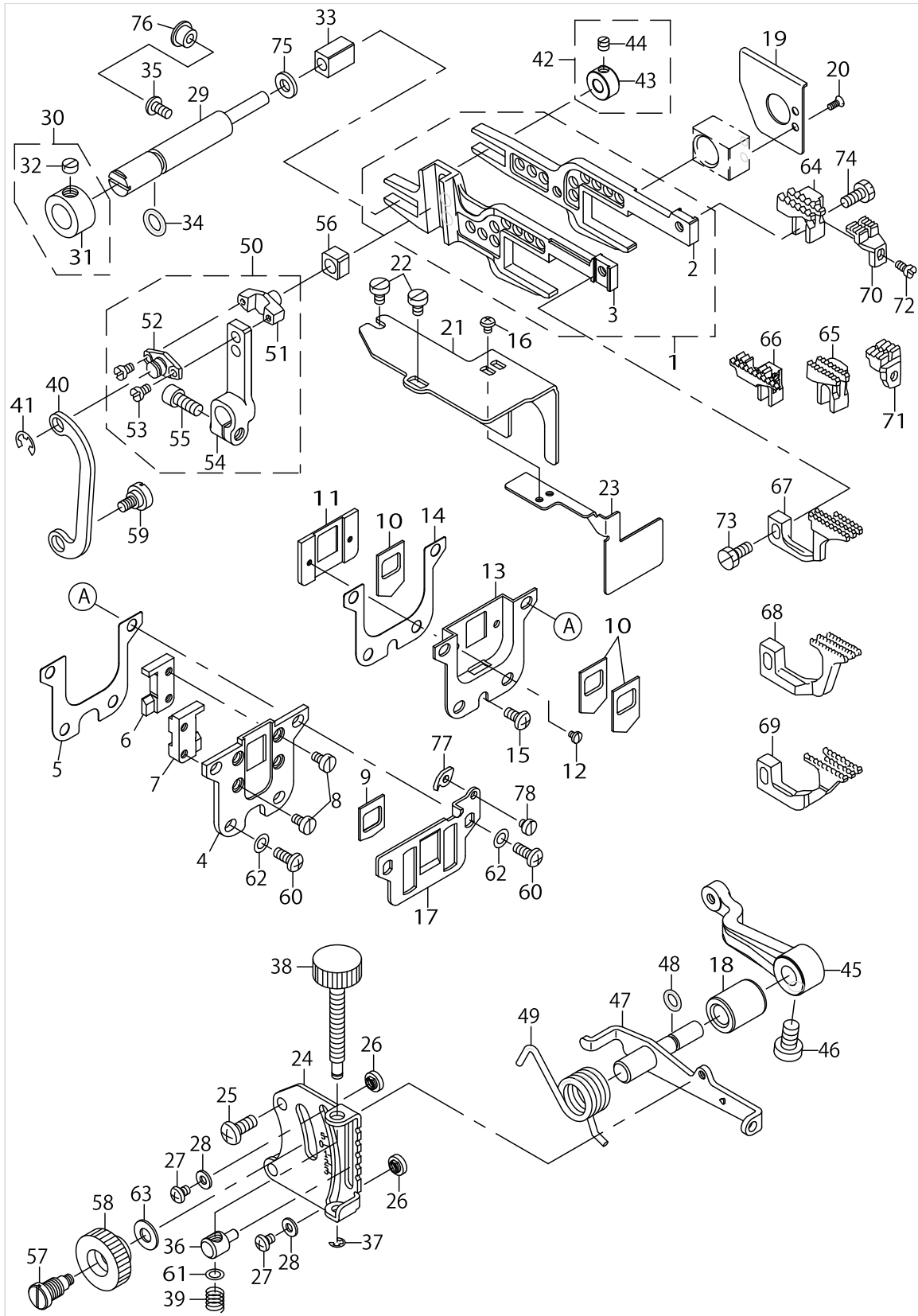
FEED MECHANISM COMPONENTS (1)



FEED MECHANISM COMPONENTS (1)

No.	Supply Code	Parts No.	Replacement	Parts name	Remarks	Choice	Step	Level	Cons	Qty	Rep. QTY
1		13118054		FEED ECCENTRIC BODY ASM.						1	
2		13120506		PIN COLLAR						1	
3		13120605		WASHER						1	
4		SS6121220TP		SCREW 3/16-28 L=11.5						1	
5		13217807		SLIDE BLOCK A	SELECTIVE PARTS					1	
6		12119210		FORKED CRANK						1	
7		SM6061402TP		SCREW M6 L=14						1	
8		TA1030402R0		RUBBER PLUG D=10.3 L=4						1	
9		TA2050416R0		RUBBER PLUG						1	
10		13172556		FEED SHAFT THRU-ST COLLAR ASM.						2	
11		13172507		FEED SHAFT THRUST COLLAR				*		1	
12		SS8110410TP		SCREW 11/64-40 L=3.5				*		2	
13	R	B1606704000	13122502	RATCHET PAWL SPRING						1	1.00
14		13119300		RATCHET GEAR SPRING						1	
15		SS6080320SP		SCREW 1/8-44 L=2.5						1	
16	R	12282604	13118708	CRANK ROD						1	1.00
17		SS7110910TP		SCREW 11/64-40 L=8.5						1	
18		12116604		NEEDLE BEARING	SELECTIVE PARTS					1	
19		12116703		NEEDLE BEARING B	SELECTIVE PARTS					1	
20		12116802		NEEDLE BEARING C	SELECTIVE PARTS					1	
21		12116901		NEEDLE BEARING D	SELECTIVE PARTS					1	
22		12117008		NEEDLE BEARING E	SELECTIVE PARTS					1	
23		13119409		FEED SHAFT METAL FRONT						1	
24		13119508		FEED SHAFT METAL REAR						1	
25	R	12283008	13119607	FEED SHAFT						1	1.00
26	D	13216809		PUSHBUTTONSHAFT						1	
27		SM4041455SN		SCREW M4 L=14						1	
28		13216601		PUSH BUTTON SPRING						1	
29		13216700		PUSH BUTTON SHAFT WASHER						1	
30		13244108		RUBBER RING						1	
31		13217906		SLIDE BLOCK B	SELECTIVE PARTS					1	
32	R	11824075	13119953	MAIN FEED ARM ASM.						1	1.00
33	R	11530110	13119953	MAIN FEED ROCKER				*		1	1.00
34		SM6051202TP		SCREW M5X0.8 L=12				*		1	
35		B1612804A00		CRANK PIN (A)	SELECTIVE PARTS					1	
36		B1612804B00		CRANK PIN (B)	SELECTIVE PARTS					1	
37		B1612804C00		CRANK PIN C	SELECTIVE PARTS					1	
38	D	B1612804D00		CRANK PIN (D)	SELECTIVE PARTS					1	
39		13119706		MAIN FEED ARM PIN						1	
40		NS6620320SP		NUT 3/16-32						1	
41		13120001		WASHER B						1	
42		13119805		MAIN FEED LINK						1	

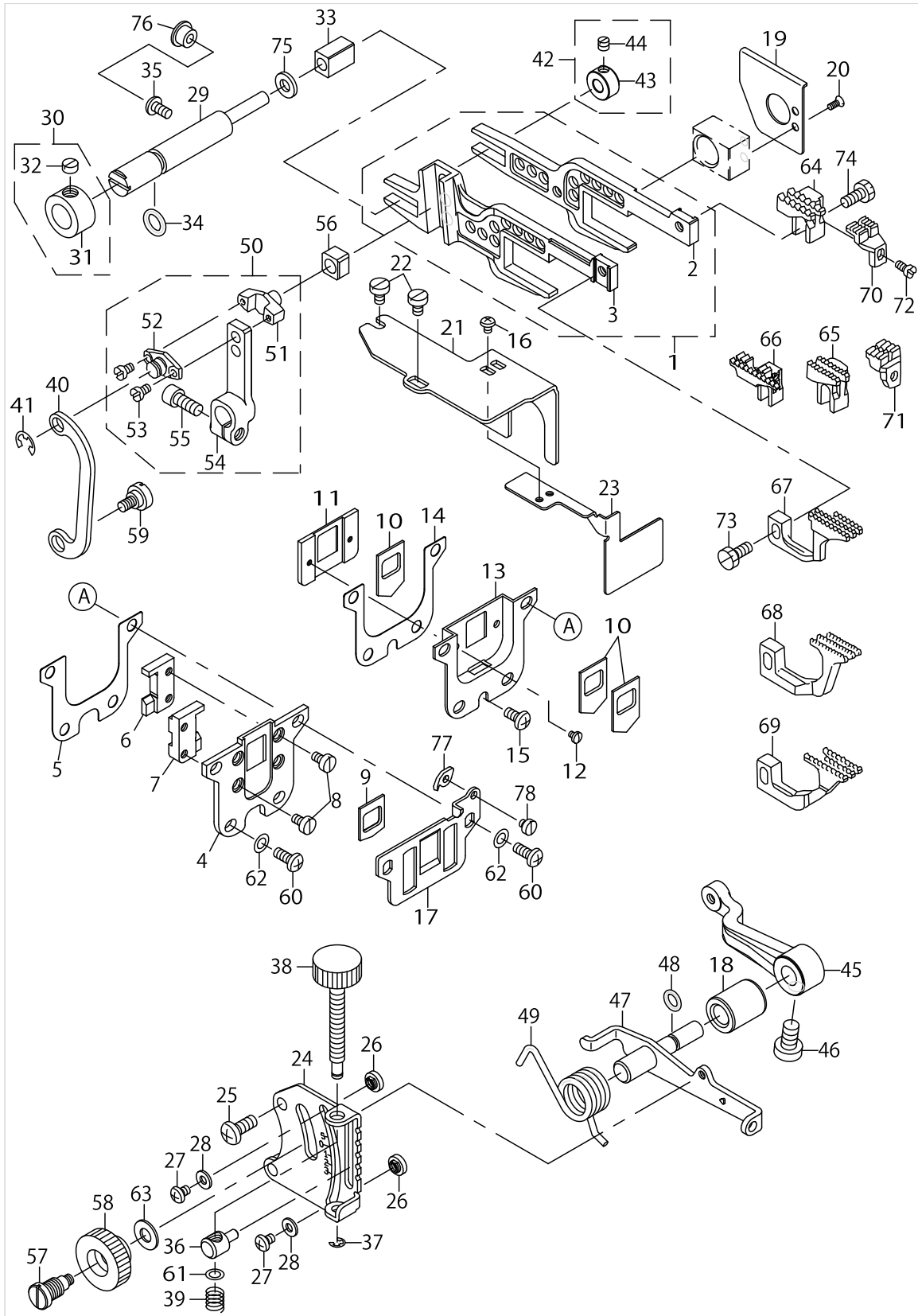
FEED MECHANISM COMPONENTS (2)



FEED MECHANISM COMPONENTS (2)

No.	Supply Code	Parts No.	Replacement	Parts name	Remarks	Choice	Step	Level	Cons	Qty	Rep. QTY
1		13215157		FEED ROCKER ASM.						1	
2	R	13215108	13215157	MAIN FEED BAR				*		1	1.00
3	R	13215207	13215157	DIFFERENTIAL FEED BAR				*		1	1.00
4		13215306		RUBBER CASE						1	
5		13215405		RUBBER CASE GASKET						1	
6		13215504		FEED BAR SUPPORT RIGHT						1	
7		13215603		FEED BAR SUPPORT LEFT						1	
8		SS6090620TP		SCREW						4	
9	R	12118303	70004244	RUBBER						1	1.00
10		70004244		OIL SHIELD RUBBER						3	
11		13215702		RUBBER HOLDING PLATE						1	
12		SS7060310SP		SCREW 3/32-56 L=3						2	
13		13215900		OIL SHIELD CASE						1	
14		13216007		OIL SHIELD CASE GASKET						1	
15		SM4040855SP		SCREW						1	
16		SM4030455SP		SCREW						2	
17		13217104		THROAT PLATE SUPPORT						1	
18		13122700		ADJUSTING SHAFT METAL						1	
19		13216106		OIL SHIECD PLATE						1	
20		SS1060610SP		SCREW 3/32-56 L=5.5						2	
21		13216205		FEED CAM OIL SHIECD PLATE						1	
22		SM6040600SP		SCREW M4 L=6						2	
23		13216304		OIL SHIECD PLATE						1	
24		13122809		DIFFERENTIAL FEED GRADUATION						1	
25		SM4051255SP		SCREW M5 L=12						2	
26		13121405		ADJUSTING STOPPER						2	
27		SS4090515SP		SCREW 9/64-40 L=5						2	
28		WP0371016SD		WASHER 3.7X8X1						2	
29		13120902		SUPPORT SHAFT						1	
30		13121058		HRUST COLLAR ASM.						1	
31		13121009		HRUST COLLAR				*		1	
32		SS8660330SP		SCREW 1/4-40 L=3.0				*		1	
33		13120803		SLIDE BLOCK						1	
34		13170204		RUBBER RING						1	
35		SM4040855SP		SCREW						1	
36		13217708		DIFFERENTIAL FEED BLOCK						1	
37		RE0300000K0		E-RING 3						1	
38		13213012		ADJUSTING SCREW						1	
39		13123302		ADJUSTING SPRING						1	
40		13121306		ADJUSTING LINK						1	
41		RE0500000K0		E-RING						1	
42		13121256		SUPPORT SHAFT COLLAR ASM.						1	
43	R	13121207	13121256	SUPPORT SHAFT COLLAR				*		1	1.00
44		SS8110410TP		SCREW 11/64-40 L=3.5				*		1	
45		13121900		DIFFERENTIAL FEED ROCKER						1	
46		SS6661110SP		SCREW 1/4-40 L=11						1	

FEED MECHANISM COMPONENTS (2)

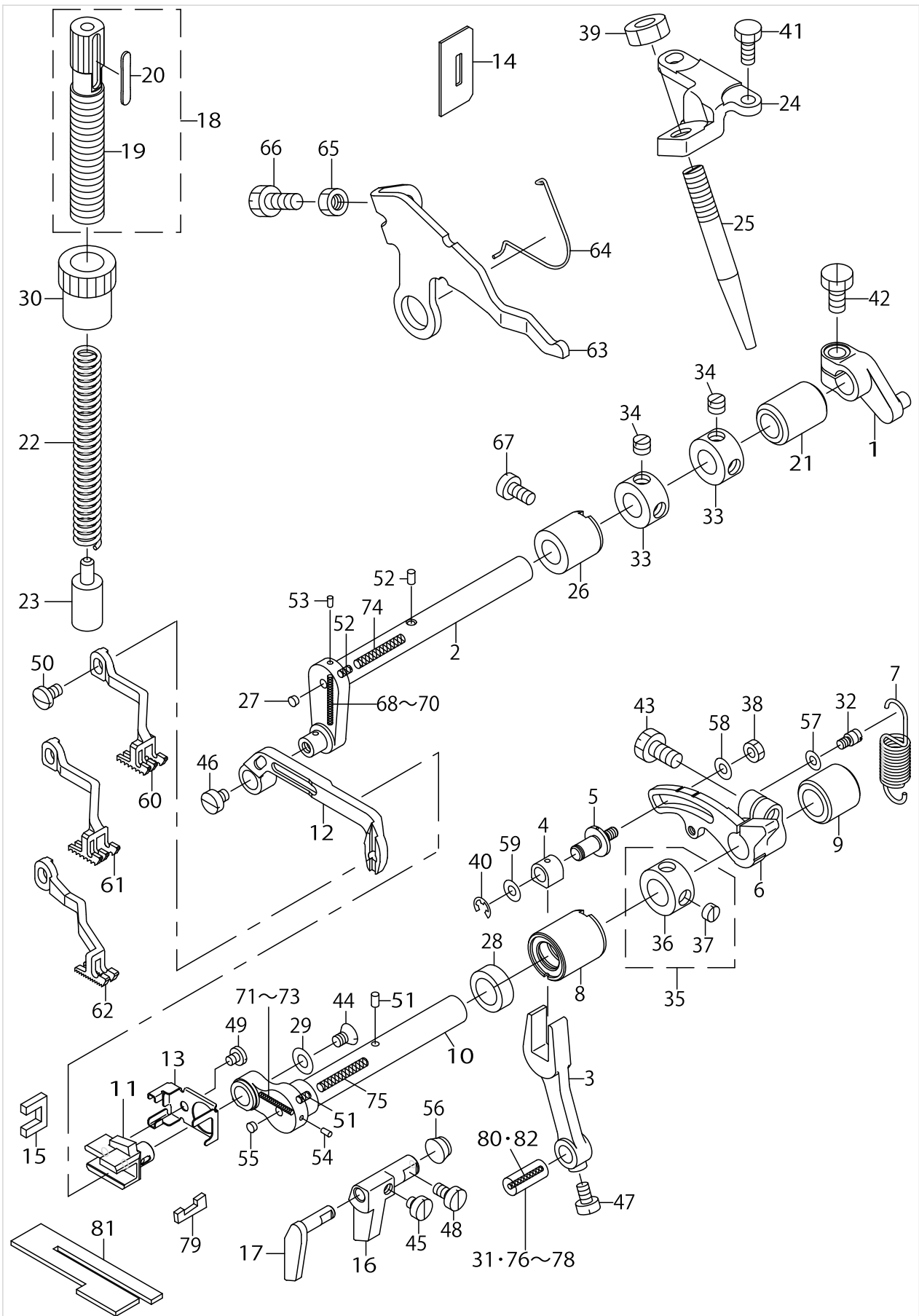


FEED MECHANISM COMPONENTS (2)

No.	Supply Code	Parts No.	Replacement	Parts name	Remarks	Choice	Step	Level	Cons	Qty	Rep. QTY
47		13217351		ROCKER SHAFT ASM.						1	
48		13170501		RUBBER RING						1	
49		13121603		ADJUSTING LEVER SPRING						1	
50		13218052		DIFFERENTIAL FEED ARM ASM.						1	
51		11825304		PIN				*		1	
52	R	11826401	13218052	PIN COVER				*		1	1.00
53		SS6080410SP		SCREW 1/8-44 L=4				*		2	
54	R	13218003	13218052	DIFFERENTIAL FEED ARM				*		1	1.00
55		SM6051202TP		SCREW M5X0.8 L=12				*		1	
56		13218102		SLIDE BLOCK						1	
57		13217401		DIFFERENTIAL FEED HINGE SCREW						1	
58		13217500		DIFFERENTIAL FEED LOCK NUT						1	
59		SD0720271SP		HINGE SCREW D=7.2 H=2.7						1	
60		SM4041055SP		SCREW						4	
61		WP0460556SD		WASHER 4.6X7.5X0.5						1	
62		WP0480856SP		WASHER 4.8X8.4X0.8						4	
63		WP0621016SD		WASHER 6.2X13X1						1	
64		11701604		MAIN FEED DOG	FOR MO-6904J					1	
65		12013306		MAIN FEED DOG	FOR MO-6914J					1	
66		12382503		MAIN FEED DOG	FOR MO-6916J					1	
67		11700507		DIFFERENTIAL FEED DOG	FOR MO-6904J					1	
68		12013405		SUB FEED DOG	FOR MO-6914J					1	
69		11528403		DIFFERENTIAL FEED DOG	FOR MO-6916J					1	
70		11651809		AUXILIARY FEED DOG	FOR MO-6-904J,MO-6914J					1	
71		11528502		AUXILIARY FEED DOG	FOR MO-6916J					1	
72		SS4080620TP		SCREW 1/8-44 L=6						1	
73		SS9111010SP		SCREW 11/64-40 L=9.5						1	
74		SS9111050SP		SCREW 11/64-40 L=9.5						1	
75		13121108		WASHER						1	
76		TA0800504R0		PLUG D=8 L=4.5						1	
77		13200902		FEED MECHANISM COVER PRESSER						1	
78		SS6080340SP		SCREW 1/8-44 L=2.9						1	



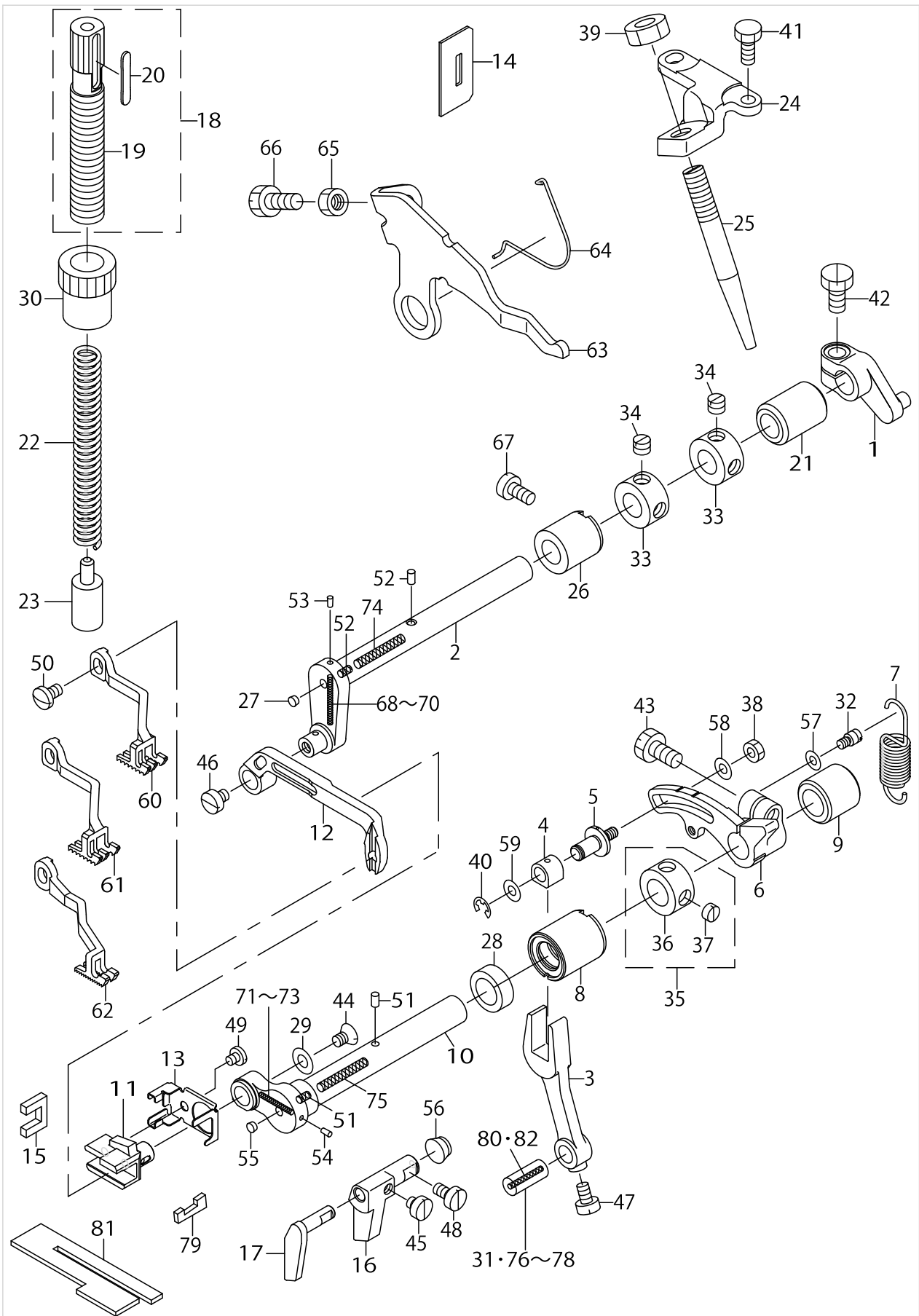
UPPER FEED MECHANISM COMPONENTS (1)



UPPER FEED MECHANISM COMPONENTS (1)

No.	Supply Code	Parts No.	Replacement	Parts name	Remarks	Choice	Step	Level	Cons	Qty	Rep. QTY
1		31208507		HORIZONTAL ARM C						1	
2		31208606		HORIZONTAL SHAFT						1	
3		31208705		VERTICAL ROD						1	
4		31208804		VERTICAL SLIDE BLOCK						1	
5		31208903		VERTICAL ADJUST PIN						1	
6		12309605		ADJUST ARM						1	
7		12309704		ADJUST ARM SPRING						1	
8		13277405		BUSHING FRONT						1	
9		12309902		VERTICAL SHAFT REAR METAL						1	
10		12310009		SHAFT						1	
11		13276308		UPPER FEED SLIDE BLOCK						1	
12		13276209		UPPER FEED BAR						1	
13		13276704		OIL THROWER RUBBER PRESSER						1	
14		12306007		LIFTER RUBBER						1	
15		12310504		FEED BAR FELT						1	
16		13276407		GUIDE A						1	
17		13276506		GUIDE B						1	
18		12310850		ADJUST SCREW ASM.						1	
19		12310801		ADJUST SCREW				*		1	
20	R	12310900	12310850	ADJUST SCREW PLATE				*		1	1.00
21		40078183		METAL REAR						1	
22		12311007		UPPER PRESSER SPRING						1	
23		12311106		UPPER PRESSER SLIDE BLOCK						1	
24	R	31211303	12312203	SHAFT SCREW BASE						1	1.00
25		31211402		SHAFT SCREW						1	
26		12308300		METAL FRONT						1	
27		TA0340201R0		PLUG D=3.4X3.9 L=S						1	
28		11566809		OIL SEAL						1	
29		11913407		SLIDE BLOCK WASHER						1	
30		11914405		NUT						1	
31		B1612804C00		CRANK PIN C	SELECTIVE PARTS					1	
32	R	B2024771000	40009196	SUSPENSION SCREW						1	1.00
33		CS1001011SH		THRUST COLLAR						2	
34		SS8660530TP		SCREW 1/4-40 L=4.5						2	
35		CS111101HSH		THRUST COLLAR ASM.						1	
36		CS1111019SH		THRUST COLLAR D=11.11 W=10				*		1	
37		SS8660330SP		SCREW 1/4-40 L= 3.0				*		1	
38		NM6040000SN		NUT M4						1	
39		NM6080011SF		NUT M8						1	
40		RE0400000K0		E-RING 4						1	
41		SM9051203CP		SCREW M5 L=12						2	
42		SM9061250TP		SCREW M6 L=12						1	
43		SM9061250TP		SCREW M6 L=12						1	
44		SS2110710TP		SCREW 11/64-40 L=7						1	
45		SS6110420TP		SCREW 11/64-40 L=4.8						1	
46		SS6110520TP		SCREW 11/64-40 L=4.5						1	

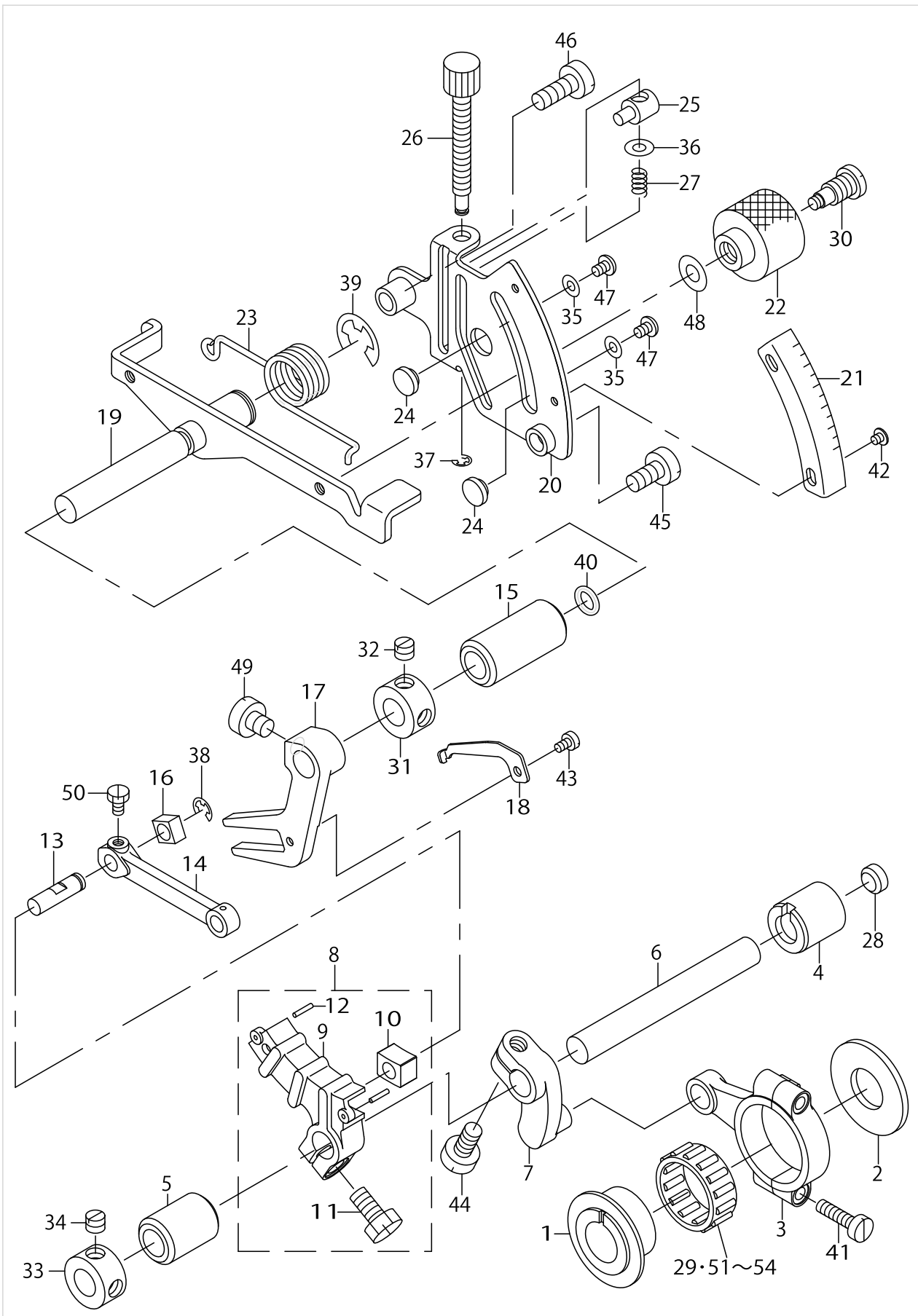
UPPER FEED MECHANISM COMPONENTS (1)



UPPER FEED MECHANISM COMPONENTS (1)

No.	Supply Code	Parts No.	Replacement	Parts name	Remarks	Choice	Step	Level	Cons	Qty	Rep. QTY
47		SS6110710TP		SCREW 11/64-40 L=6.5						1	
48		SS6110820TP		SCREW 11/64-40 L=8						1	
49		SS7090410SP		SCREW 9/64-40 L=3.5						1	
50		SS7110740TP		SCREW 11/64-40 L=7						1	
51		B3525704000		OIL FELT						2	
52		B3525704000		OIL FELT						2	
53		TA0180401M0		NEEDLE COOLER PLUG CAP						1	
54		TA0180401M0		NEEDLE COOLER PLUG CAP						1	
55		TA0340201R0		PLUG D=3.4X3.9 L=2						1	
56		TA0800501R0		PLUG D=8X8.2 L=5						1	
57		WP0371036SD		WASHER 3.7X6X1						1	
58		WP0451026SH		WASHER						1	
59		WP0621016SH		WASHER						1	
60		12388807		UPPER FEED DOG	FOR MO-6904J					1	
61		12388906		UPPER FEED DOG	FOR MO-6914J					1	
62		12389003		TOP FEED DOG	FOR MO-6916J					1	
63		31204407		TOP FEED DOG LIFTER B						1	
64		12305504		UPPER FEED DOG LIFTER B SPRING						1	
65		NS6150430SP		NUT 15/64-28						1	
66		SS9151220SR		SCREW 15/64-28 L=12						1	
67		SS6121020SP		SCREW 3/16-28 L=9.5						1	
68		12316402		OIL WICK(VERTICAL A)	SELECTIVE PARTS					1	
69		12316501		OIL WICK(VERTICAL B)	SELECTIVE PARTS					1	
70		12316600		OIL WICK(VERTICAL C)	SELECTIVE PARTS					1	
71		12316709		OIL WICK(VERTICAL A)	SELECTIVE PARTS					1	
72		12316808		OIL WICK(VERTICAL B)	SELECTIVE PARTS					1	
73		12316907		OIL WICK(VERTICAL C)	SELECTIVE PARTS					1	
74		12317103		OIL WICK(HORIZONTAL)						1	
75		12317202		OIL WICK (HORIZONTAL)						1	
76		B1612804A00		CRANK PIN (A)	SELECTIVE PARTS					1	
77		B1612804B00		CRANK PIN (B)	SELECTIVE PARTS					1	
78	D	B1612804D00		CRANK PIN (D)	SELECTIVE PARTS					1	
79		13277207		FELT						1	
80		CQ252000000		OIL WICK						.04	
81		13276803		ONCE THROUGH OIL FELT A						1	
82		CQ202000000		OIL WICK						.04	

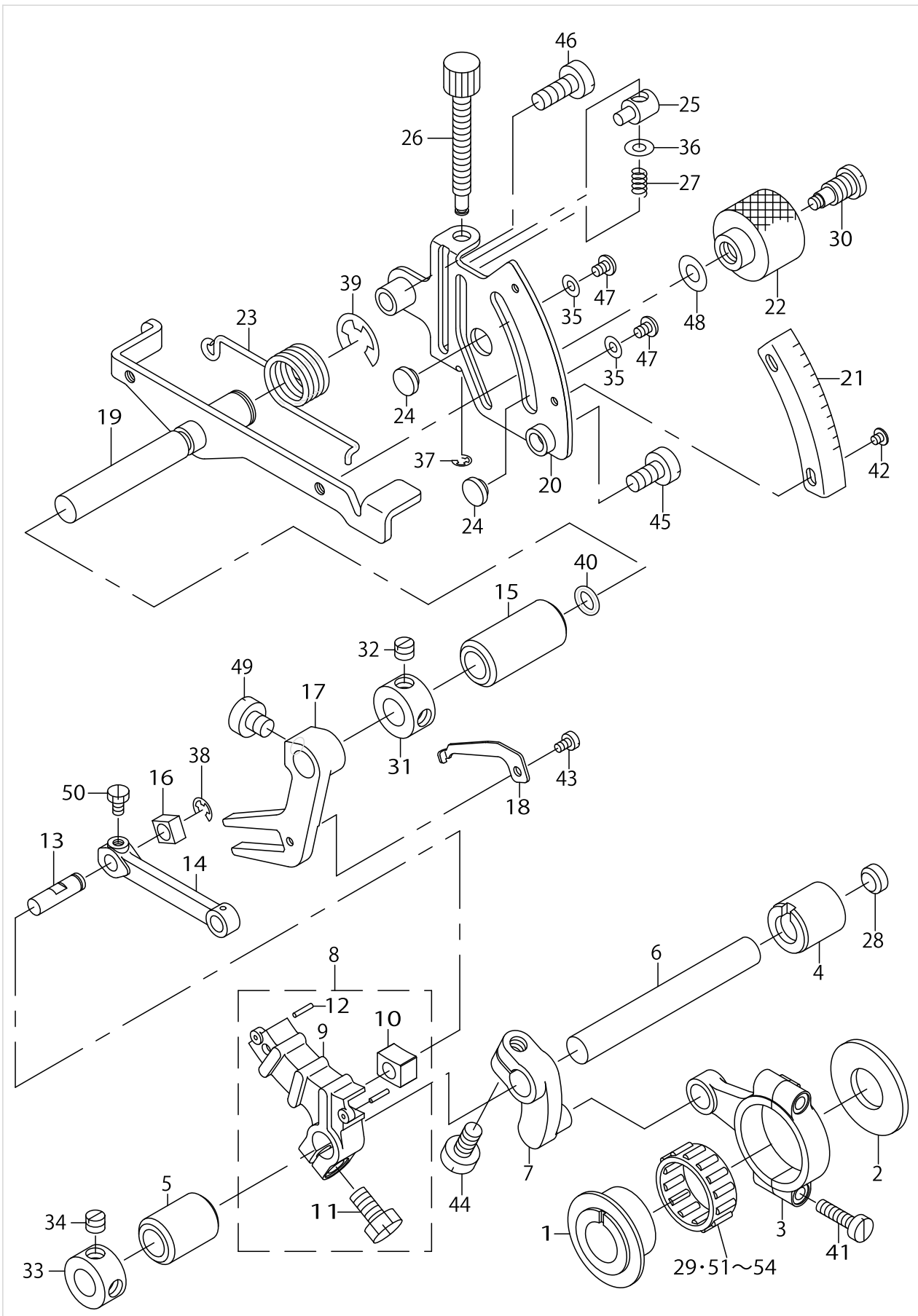
UPPER FEED MECHANISM COMPONENTS (2)



UPPER FEED MECHANISM COMPONENTS (2)

No.	Supply Code	Parts No.	Replacement	Parts name	Remarks	Choice	Step	Level	Cons	Qty	Rep. QTY
1		31207301		HORIZONTAL FEED CAM						1	
2		12308102		CAM SPACER						1	
3	R	12308201	12308250	HORIZONTAL ROD						1	1.00
4		12308300		METAL FRONT						1	
5		40078183		METAL REAR						1	
6		12308508		HORIZONTAL DRIVING SHAFT						1	
7		31207905		HORIZONTAL ARM A						1	
8		12308755		HORIZONTAL ARM B ASM.						1	
9	R	12308706	12308755	HORIZONTAL ARM B				*		1	1.00
10	R	12308805	12308755	HORIZONTAL SLIDE BLOCK A				*		1	1.00
11		SM9061250TP		SCREW M6 L=12				*		1	
12		PS0150082KH		SPRING PIN				*		2	
13		12308904		HORIZONTAL FEED PIN						1	
14		31208408		HORIZONTAL FEED LINK						1	
15		12311205		METAL						1	
16		31210305		HORIZONTAL SLIDE BLOCK B						1	
17		31210404		HORIZONTAL FORKED ARM						1	
18		31210503		HORIZONTAL BRANCH STOPPER						1	
19		31210750		ADJUSTING SHAFT COMPL.						1	
20		12311809		UPPER FEED SCALE PLATE						1	
21		12311908		UPPER FEED GRADUATION B						1	
22		12312005		UPPER FEED LOCK NUT						1	
23		12312104		UPPER FEED LEVER SPRING						1	
24		11529005		STOPPER						2	
25		11826005		DIFFERENTIAL FEED BLOCK						1	
26		11826104		DIFFERENTIAL FEED SCREW						1	
27		11826203		SPRING						1	
28		11898400		RUBBER PLUG B						1	
29		12116703		NEEDLE BEARING B	SELECTIVE PARTS					1	
30		B1646704000A		DIFFERENTIAL FEED HINGE SCREW						1	
31		CS1001011SH		THRUST COLLAR						1	
32		SS8660530TP		SCREW 1/4-40 L=4.5						1	
33		CS1001011SH		THRUST COLLAR						1	
34		SS8660530TP		SCREW 1/4-40 L=4.5						1	
35		WP0371016SD		WASHER 3.7X8X1						2	
36		WP0460556SD		WASHER 4.6X7.5X0.5						1	
37		RE0300000K0		E-RING 3						1	
38		RE0400000K0		E-RING 4						1	
39		RE0900000K0		E-RING 9						1	
40		RO068190100		RUBBER RING						1	
41		SS7111810TP		SCREW 11/64-40L=18						2	
42		SM0030301SN		SCREW						2	
43		SM6030510SC		SCREW M3X0.5 L=5						1	
44		SM9061250TP		SCREW M6 L=12						1	
45		SM6061210SC		SCREW M6 L=12						1	
46		SM6061610SC		SCREW M6 L=16						1	

UPPER FEED MECHANISM COMPONENTS (2)

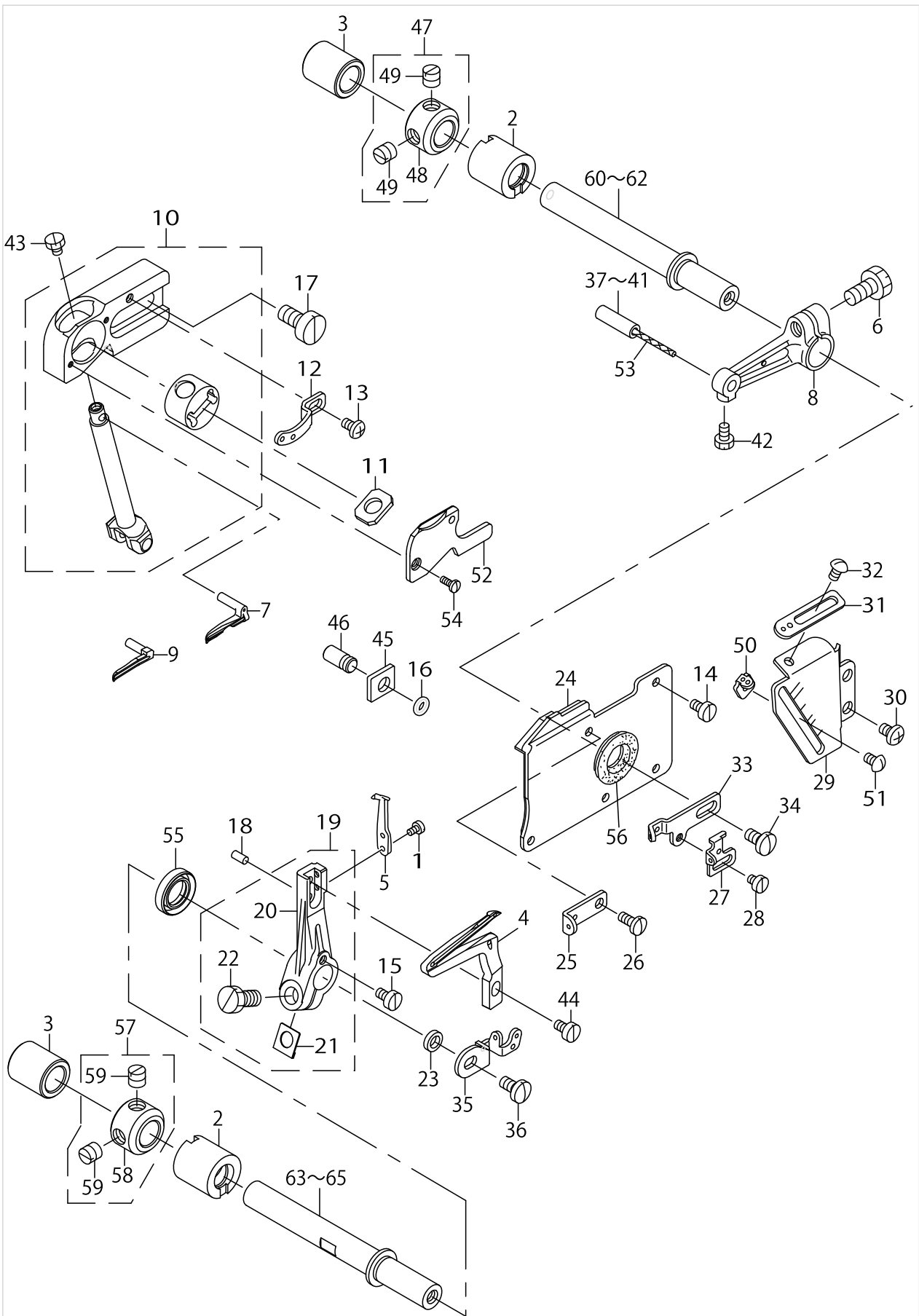


UPPER FEED MECHANISM COMPONENTS (2)

No.	Supply Code	Parts No.	Replacement	Parts name	Remarks	Choice	Step	Level	Cons	Qty	Rep. QTY
47		SS4090515SP		SCREW 9/64-40 L=5						2	
48		WP0621016SD		WASHER 6.2X13X1						1	
49		SS6660710TP		SCREW 1/4-40 L=7						1	
50		SS9090610TP		SCREW 9/64-40 L=5.5						1	
51		12116604		NEEDLE BEARING	SELECTIVE PARTS					1	
52		12116802		NEEDLE BEARING C	SELECTIVE PARTS					1	
53		12116901		NEEDLE BEARING D	SELECTIVE PARTS					1	
54		12117008		NEEDLE BEARING E	SELECTIVE PARTS					1	



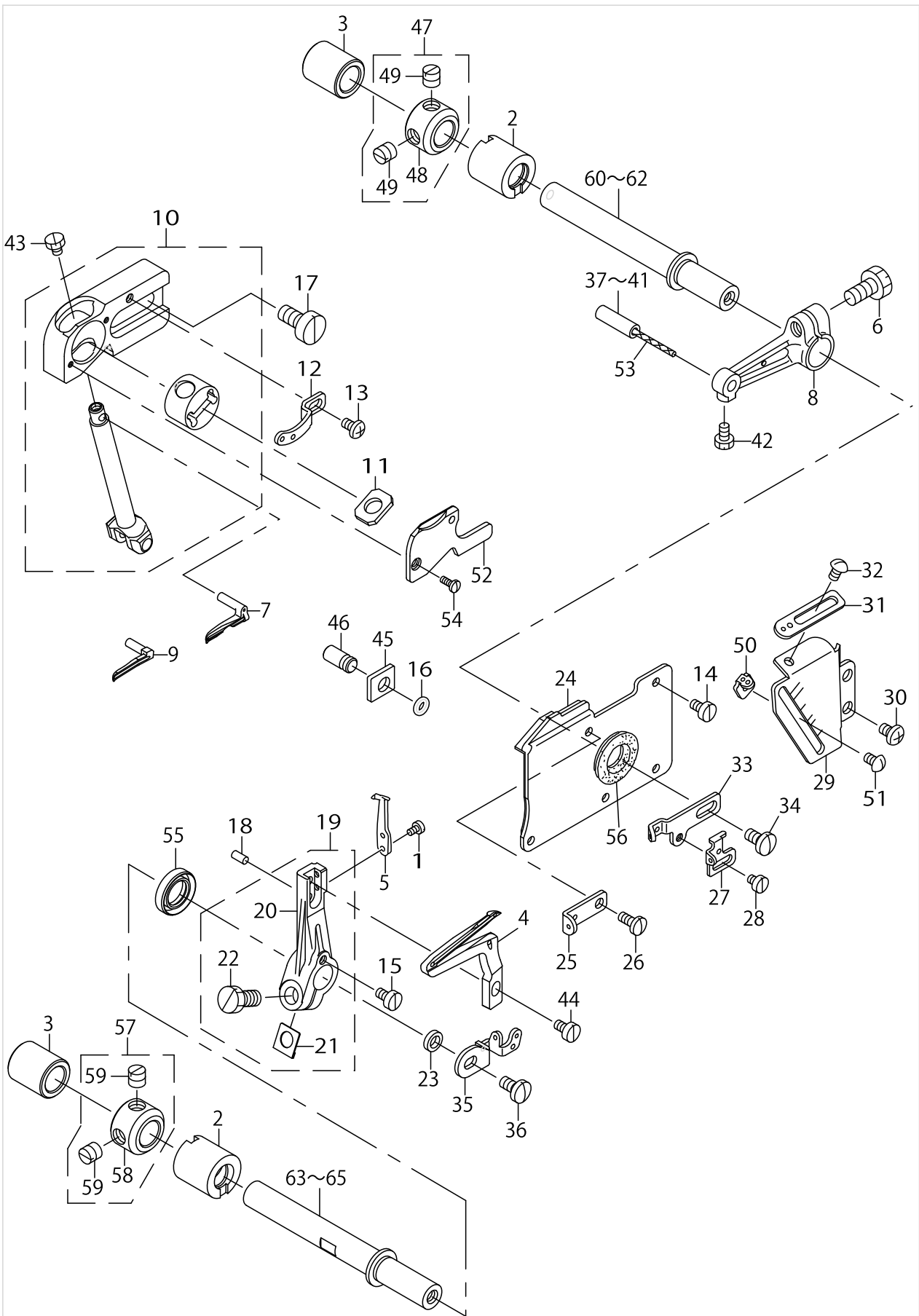
UPPER & LOWER LOOPER COMPONENTS



UPPER & LOWER LOOPER COMPONENTS

No.	Supply Code	Parts No.	Replacement	Parts name	Remarks	Choice	Step	Level	Cons	Qty	Rep. QTY
1		SS6060440TP		SCREW 3/32-56 L=3.5						2	
2		13222609		LOOPER SHAFT FRONT BUSHING						2	
3		13222708		LOOPER SHAFT REAR BUSHING						2	
4		12384202		LOWER LOOPER						1	
5		11890001		TRAVELING NEEDLE GUARD						1	
6		SS9151210TP		SCREW 15/64-28 L=11.8						1	
7		12383600		UPPER LOOPER	FOR MO-6914J					1	
8		13221304		UPPER LOOPER ARM						1	
9		12383501		UPPER LOOPER	FOR MO-6-904J,MO-6916J					1	
10		40026021		GUIDE SUPPORT ASM.						1	
11		40011234		DUST SEALING FELT						1	
12		12340501		THREAD GUIDE UPPER						1	
13		SS4090615SP		SCREW 9/64-40 L=6						1	
14		SS6090630TP		SCREW 9/64-40 L=6						4	
15		SS6090630TP		SCREW 9/64-40 L=6						1	
16		13170600		RUBBER RING						1	
17		SM6061200SP		SCREW						2	
18		PS0300062KH		SPRING PIN 3X6						1	
19		40059766		LOWER LOOPER SUPPORT ARM ASM						1	
20		40059765		LOWER LOOPER SUPPORT ARM				*		1	
21		13129309		WASHER				*		1	
22		SS9151210TP		SCREW 15/64-28 L=11.8				*		1	
23		13132600		COLLAR						1	
24		12375952		OIL SHIELD ASM.						1	
25		12340600		UPPER LOOPER THREAD GUIDE						1	
26		SS7090850SP		SCREW 9/64-40 L=8						1	
27		12340709		LOWER LOOPER THREAD TAKE-UP						1	
28		SS6080410SP		SCREW 1/8-44 L=4						1	
29		13222401		LOOPER THREAD TAKE-UP COVER						1	
30		SM4040655SP		SCREW M4 L=6						2	
31		12340303		THREADGUIDERIGHT						1	
32		SS3090610SP		SCREW 9/64-40 L=6						1	
33		12340402		THREAD TAKE-UP RIGHT						1	
34		SS7110840SP		SCREW 11/64-40 L=7.8						1	
35		12375705		LOOPER THREAD TAKE-UP LEFT						1	
36		SS7110840SP		SCREW 11/64-40 L=7.8						1	
37		B1422804A00		PIN (A)	SELECTIVE PARTS					1	
38		B1422804B00		PIN (B)	SELECTIVE PARTS					1	
39	R	B1422804C00	B1422804D00	PIN (C)	SELECTIVE PARTS					1	1.00
40		B1422804D00		PIN (D)	SELECTIVE PARTS					1	
41	D	B1422804E00		PIN (E)	SELECTIVE PARTS					1	
42		SS9090610TP		SCREW 9/64-40 L=5.5						1	
43		SS9090410TP		SCREW						1	
44		SS6090620TP		SCREW						1	
45		11545100		GAUGE						1	

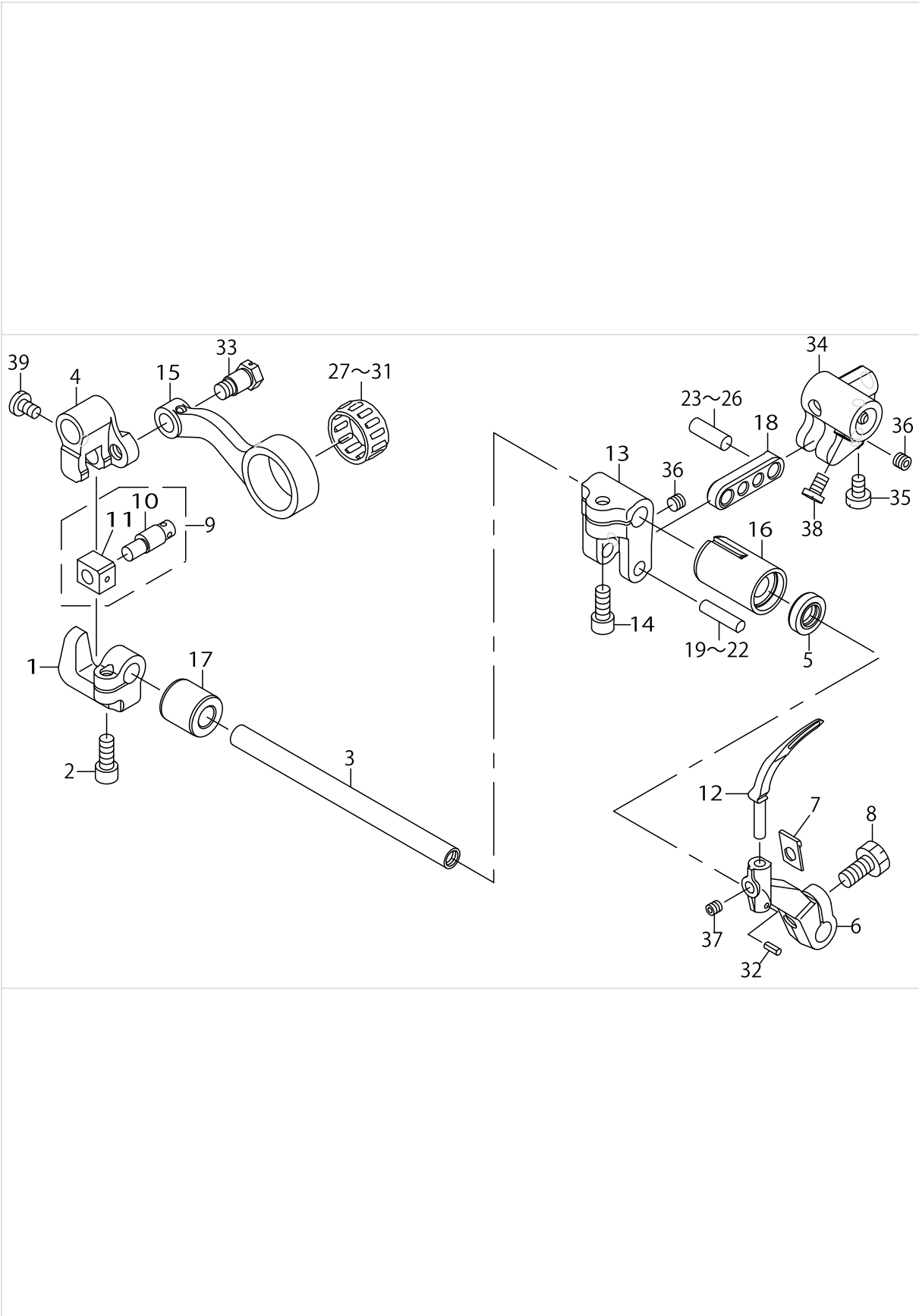
UPPER & LOWER LOOPER COMPONENTS



UPPER & LOWER LOOPER COMPONENTS

No.	Supply Code	Parts No.	Replacement	Parts name	Remarks	Choice	Step	Level	Cons	Qty	Rep. QTY
46		13131800		GAUGE FIXING PIN						1	
47		CS1031210SH		THRUST COLLAR A- SM. D=10.32 W=12	FOR MO-6- 904J,MO-6914J					2	
48	R	CS1031219SH	CS1031210SH	THRUST COLLAR D=10.32 W=12				*		1	1.00
49		SS8660610TP		SCREW 1/4-40 L=6				*		2	
50		12340808		THREAD GUIDE						1	
51		SS3090610SP		SCREW 9/64-40 L=6						1	
52		13224001		UPPER LOOPER GUIDE COVER						1	
53		CQ202000000		OIL WICK						.05	
54		SS7060610SP		SCREW 3/32-56 L=5.5						2	
55		40010804		OIL SEAL RING						1	
56		B2530704000		UPPER LOOPER SH- AFT RUBBER RING						1	
57		CS1031210SH		THRUST COLLAR A- SM. D=10.32 W=12	FOR MO-6916J					1	
58	R	CS1031219SH	CS1031210SH	THRUST COLLAR D=10.32 W=12				*		1	1.00
59		SS8660610TP		SCREW 1/4-40 L=6				*		2	
60		13221403		UPPER LOOPER GUIDE A	SELECTIVE PARTS					1	
61		13221502		UPPER LOOPER SHAFT B	SELECTIVE PARTS					1	
62		13221601		UPPER LOOPER GUIDE C	SELECTIVE PARTS					1	
63		13221700		UPPER LOOPER SHAFT A	SELECTIVE PARTS					1	
64		13221809		UPPER LOOPER GUIDE B	SELECTIVE PARTS					1	
65		13221908		UPPER LOOPER SHAFT C	SELECTIVE PARTS					1	

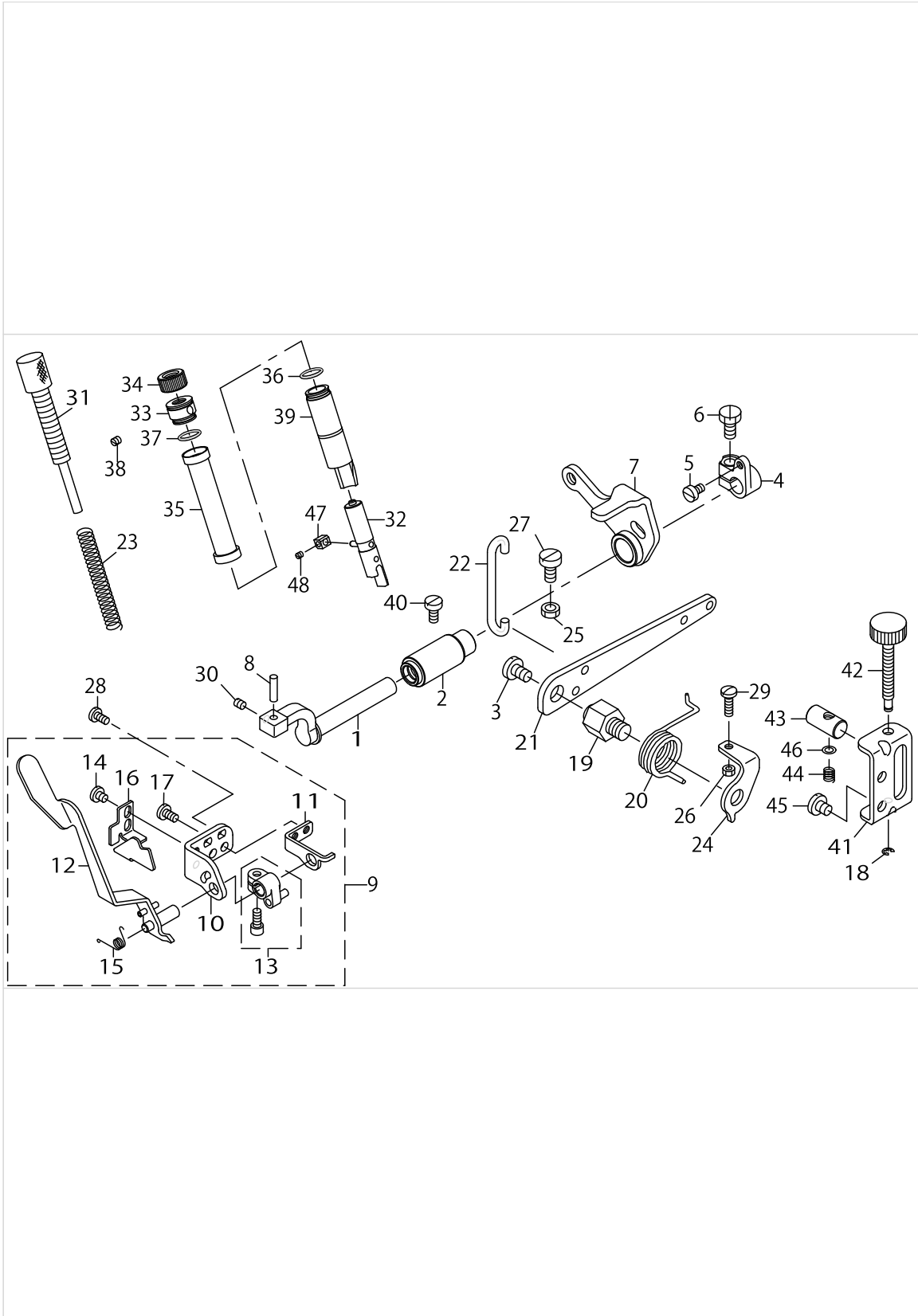
CHAIN LOOPER COMPONENTS (FOR MO-6916J)



CHAIN LOOPER COMPONENTS (FOR MO-6916J)

No.	Supply Code	Parts No.	Replacement	Parts name	Remarks	Choice	Step	Level	Cons	Qty	Rep. QTY
1	R	12342309	13129853	BRACKET						1	1.00
2		SM6051202TP		SCREW M5X0.8 L=12						1	
3		13126909		CHAIN LOOPER SHAFT						1	
4		13126008		FRONT-AND-REAR ARM						1	
5		40010805		OIL SEAL RING						1	
6		11829314		CHAIN LOOPER DRIVING ARM						1	
7		13129309		WASHER						1	
8		SS9151210TP		SCREW 15/64-28 L=11.8						1	
9	R	11829751	13126354	CHAIN LOOPER SLIDE BLOCK PIN						1	1.00
10	R	B2120816000	13126354	CHAIN LOOPER SLIDE BLOCK PIN				*		1	1.00
11	R	B2105816000	13126305	CHAIN LOOPER SLIDE BLOCK				*		1	1.00
12		12384400		CHAIN LOOPER						1	
13	R	12374104	SM8050402TP	DRIVING ARM		A				1	1.00
13	R	12374104	40078484	DRIVING ARM		A				1	1.00
13	R	12374104	SS4080620TP	DRIVING ARM		A				1	1.00
14		SM6051202TP		SCREW M5X0.8 L=12						1	
15		13220009		CHAIN LOOPER ROD						1	
16		13128103		BUSHING FORNT						1	
17		13127006		BUSHING REAR						1	
18		12374203		DRIVING LINK						1	
19		13126503		PIN LONG A	SELECTIVE PARTS					1	
20		13126602		PIN LONG B	SELECTIVE PARTS					1	
21		13126701		PIN LONG C	SELECTIVE PARTS					1	
22		13126800		PIN LONG D	SELECTIVE PARTS					1	
23		13127204		PIN SHORT A	SELECTIVE PARTS					1	
24		13127303		PIN SHORT B	SELECTIVE PARTS					1	
25		13127402		PIN SHORT C	SELECTIVE PARTS					1	
26		13127501		PIN SHORT D	SELECTIVE PARTS					1	
27		B2119816A00		BEARING A	SELECTIVE PARTS					1	
28		B2119816B00		BEARING B	SELECTIVE PARTS					1	
29		B2119816C00		BEARING C	SELECTIVE PARTS					1	
30		B2119816D00		BEARING D	SELECTIVE PARTS					1	
31	D	B2119816E00		BEARING E	SELECTIVE PARTS					1	
32		PS0200062KH		SPRING PIN 2X6						1	
33		SD0720803TH		STEP-SCREW D=7.24 H=8						1	
34	R	13220108	132201080A0	DRIVING BALL ARM BRACKET						1	1.00
35		SM8050602TP		SCREW M5 L=6						1	
36		SM8050402TP		SCREW						2	
37		SS8110422TP		SCREW 11/64-40 L=4						1	
38		SS6110710TP		SCREW 11/64-40 L=6.5						2	
39		SS7110720TP		SCREW 11/64-40 L=7						1	

PRESSER FOOT COMPONENTS (1)

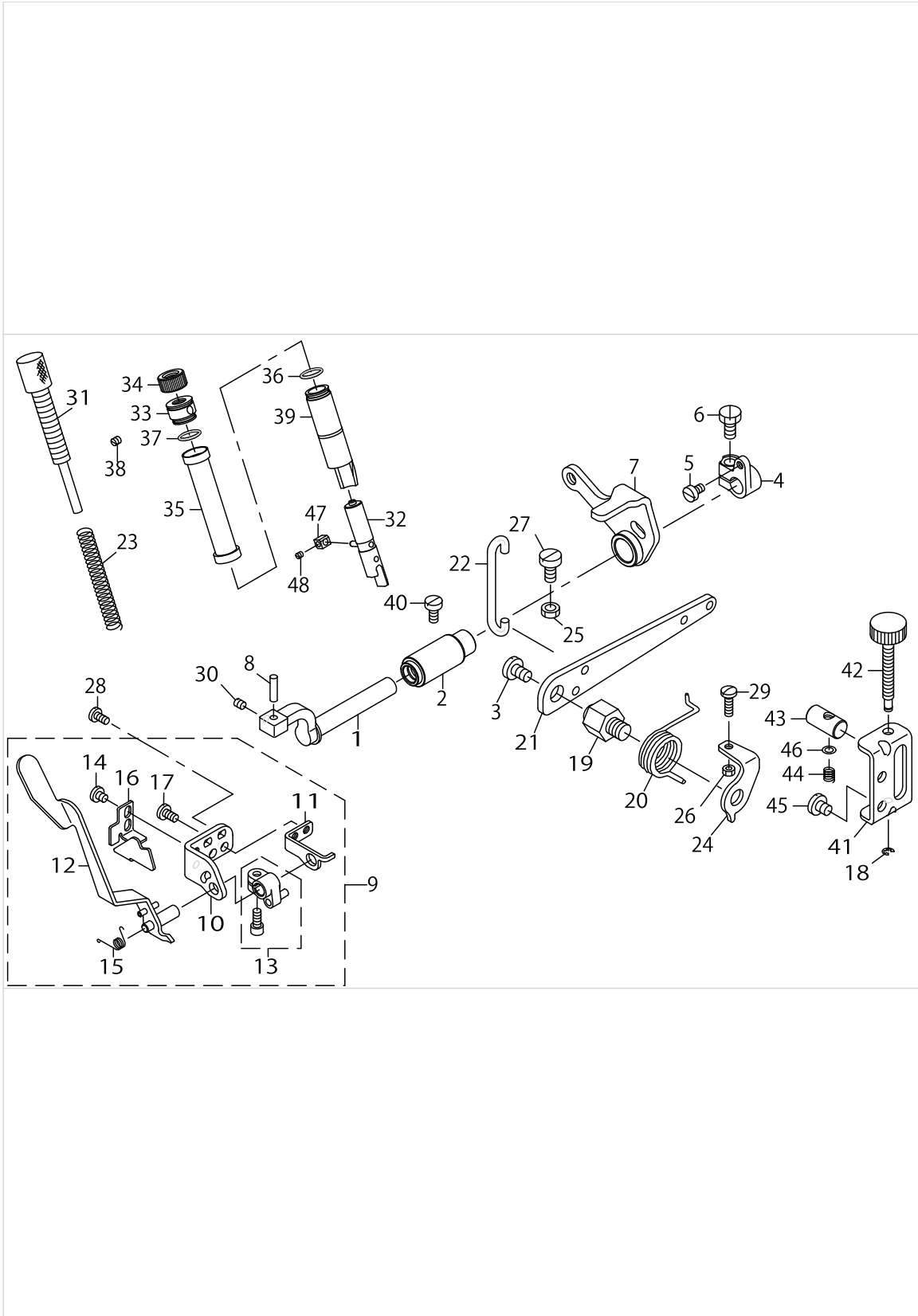


PRESSER FOOT COMPONENTS (1)

No.	Supply Code	Parts No.	Replacement	Parts name	Remarks	Choice	Step	Level	Cons	Qty	Rep. QTY
1		13115001		PRESSER FOOT SHAFT						1	
2		13273701		PRESSER FOOT SHAFT BUSHING						1	
3		SS7161040SP		SCREW 1/4-24 L=9.5						1	
4		12113817		PRESSER FOOT SH-AFT THRUST ARM						1	
5		SS6110710TP		SCREW 11/64-40 L=6.5						1	
6		SS9151210TP		SCREW 15/64-28 L=11.8						1	
7		31204258		PRESSER LIFTING ARM ASM.						1	
8		13115407		PRESSER FOOT ARM HINGE SHAFT						1	
9		13274253		FOOT LIFTING LEVER STAND ASM.						1	
10		12306106		FOOT LIFTING LEVER STAND A				*		1	
11		13274204		FOOT LIFTING LEVER STAND B				*		1	
12		12306353		FOOT LIFTING LEVER JUNCTION				*		1	
13		12306551		UPPER FEED DOG LIFTER A ASM.				*		1	
14		SS7110510SP		SCREW 11/64-40 L=5				*		2	
15		12306601		SPRING				*		1	
16		12306700		PRESSER ARM STOPPER				*		1	
17		SS7110840SP		SCREW 11/64-40 L=7.8				*		2	
18		RE0300000K0		E-RING 3						1	
19		13117007		PRESSER LIFTING LEVER SCREW						1	
20		13116306		PRESSER LIFTING LEVER SPRING						1	
21		13116900		PRESSER LIFTING LEVER						1	
22		12306809		LIFTING HOOK						1	
23		13116207		PRESSER FOOT SPRING						1	
24		13116603		PRESSER LIFTING LEVER SPRING						1	
25		NM6060003SC		NUT M6						1	
26		NS6110420SP		NUT 11/64-40						1	
27		SM6061200SP		SCREW						1	
28		SS7110840SP		SCREW 11/64-40 L=7.8						2	
29		SS7111410TP		SCREW 11/64-40 L=14						1	
30		SM8050412TP		SCREW M5 L=4						1	
31		40034897		PRESSER ADJUSTING SCREW						1	
32		40011753		PRESSER BAR ASM						1	
33		12288700		PRESSER REGULATOR SCREW WASHER						1	
34		13117106		PRESSER REGULATOR NUT						1	
35		13212709		PRESSER BAR COVER						1	
36		13170402		RUBBER RING						2	
37		13170402		RUBBER RING						1	
38		SM8040402TP		SCREW M4X0.7 L=4						1	
39		13213301		PRESSER BAR BUSHING						1	
40		SS6121020SP		SCREW 3/16-28 L=9.5						1	
41		13212808		ADJUSTING BASE						1	
42		13213012		ADJUSTING SCREW						1	
43		13212915		ADJUSTING BLOCK						1	
44		13123302		ADJUSTING SPRING						1	
45		SS7150740SP		SCREW 15/64-28 L=7						2	



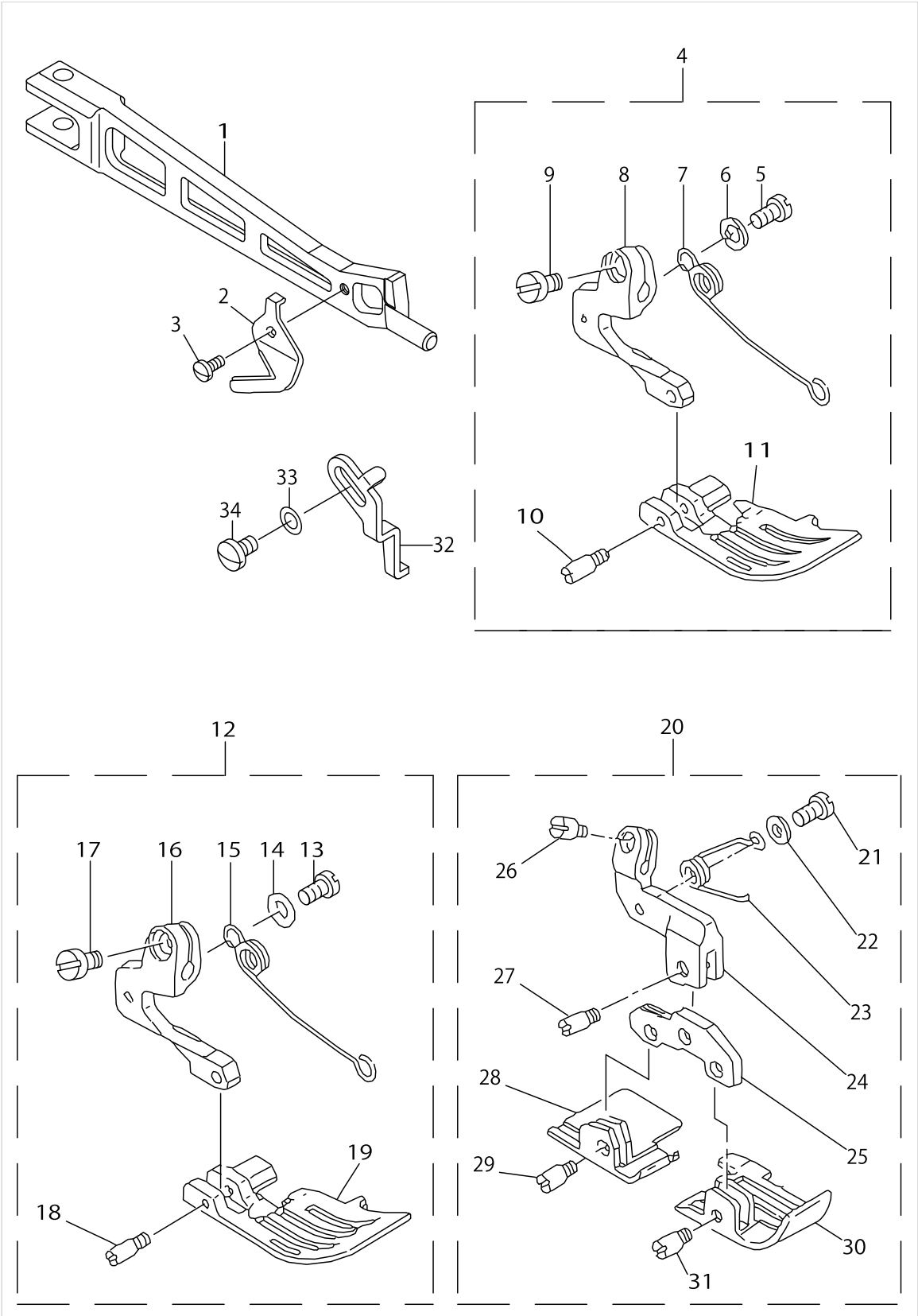
PRESSER FOOT COMPONENTS (1)



PRESSER FOOT COMPONENTS (1)

No.	Supply Code	Parts No.	Replacement	Parts name	Remarks	Choice	Step	Level	Cons	Qty	Rep. QTY
46		WP0460556SD		WASHER 4.6X7.5X0.5						1	
47		70004672		SLIDE BLOCK						1	
48		SS8080310TP		SCREW 1/8-44 L=2.8						1	

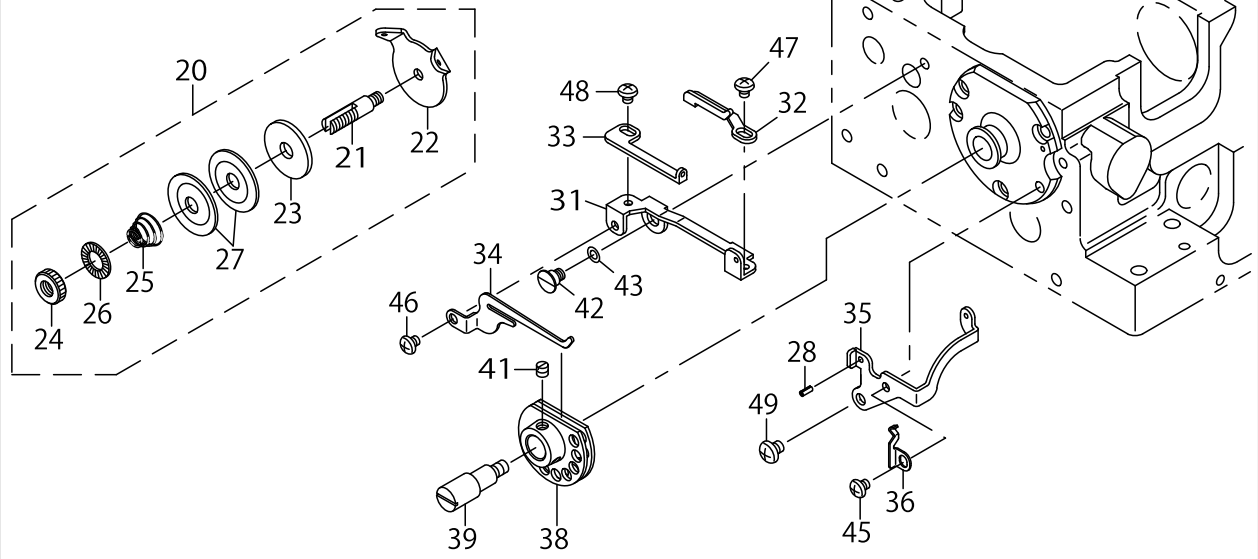
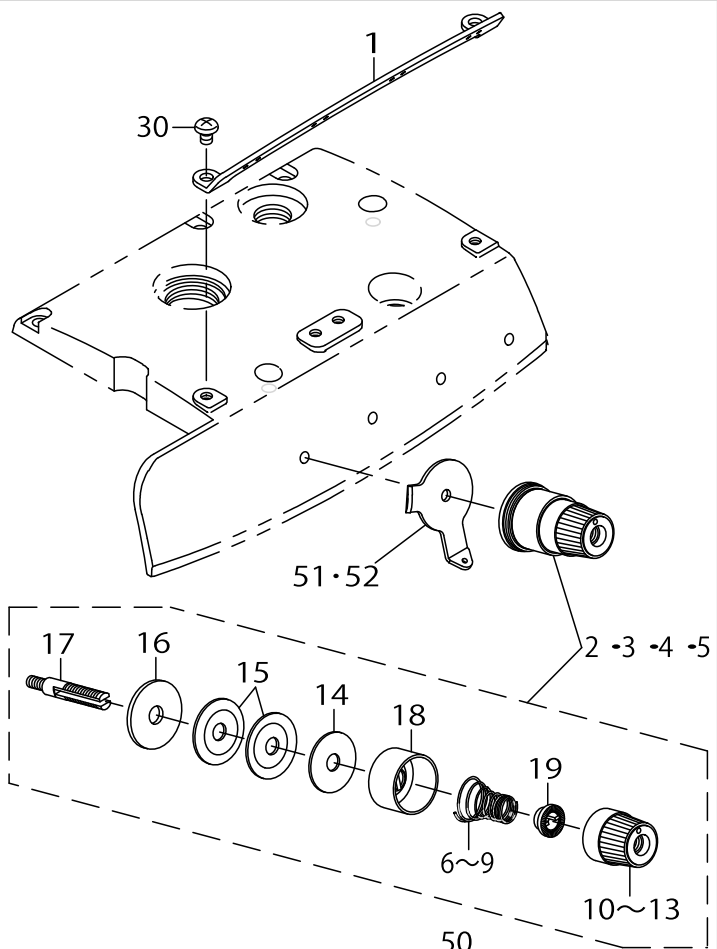
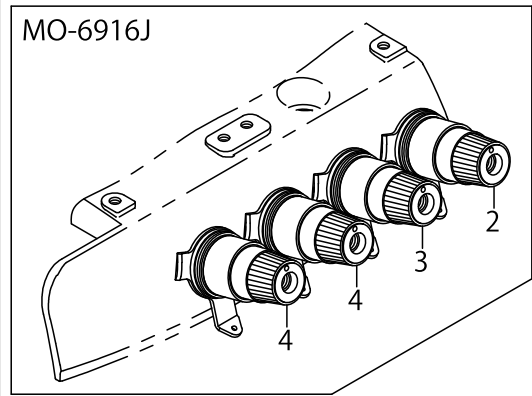
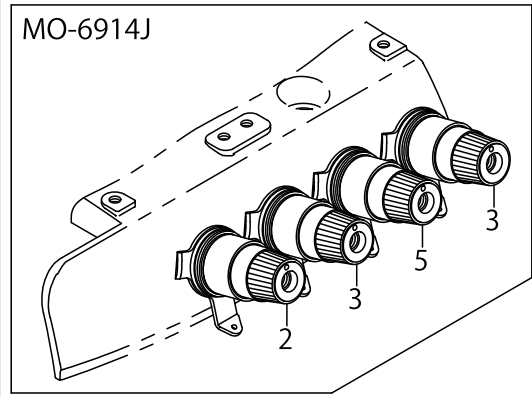
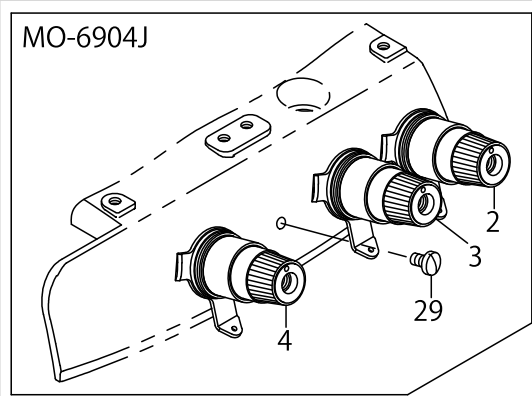
PRESSER FOOT COMPONENTS (2)



PRESSER FOOT COMPONENTS (2)

No.	Supply Code	Parts No.	Replacement	Parts name	Remarks	Choice	Step	Level	Cons	Qty	Rep. QTY
1		12305611		PRESSER FOOT ARM						1	
2		13116702		THREAD TRIMMER						1	
3		SS7060510SP		SCREW 3/32-56 L=4.8						1	
4		12022950		PRESSER FOOT ASM.	FOR MO-6904J					1	
5		SS7080520SP		SCREW 1/8-44 L=4.9				*		1	
6		WP0371026SD		WASHER 3.7X7X1				*		1	
7		11930906		PRESSER FOOT SPRING				*		1	
8		11925104		PRESSER FOOT HINGE				*		1	
9		SS6090670TP		SCREW 9/64-40 L=6				*		1	
10		11930609		HINGE PIN				*		1	
11	R	12022901	12022950	PRESSER FOOT				*		1	1.00
12		12012555		PRESSER ASM.	FOR MO-6914J					1	
13		SS7080520SP		SCREW 1/8-44 L=4.9				*		1	
14		WP0371026SD		WASHER 3.7X7X1				*		1	
15		11930906		PRESSER FOOT SPRING				*		1	
16		11925104		PRESSER FOOT HINGE				*		1	
17		SS6090670TP		SCREW 9/64-40 L=6				*		1	
18		11930609		HINGE PIN				*		1	
19	R	12012506	12012555	PRESSER FOOT				*		1	1.00
20		12023255		PRESSER FOOT ASM.	FOR MO-6916J					1	
21		SS7080520SP		SCREW 1/8-44 L=4.9				*		1	
22		WP0371026SD		WASHER 3.7X7X1				*		1	
23		11929403		PRESSER FOOT SPRING				*		1	
24		12024303		HINGE ARM				*		1	
25	R	12024402	12023255	PRESSER FOOT HINGE				*		1	1.00
26		SS6090670TP		SCREW 9/64-40 L=6				*		1	
27		12024501		HINGE PIN				*		1	
28	R	12023305	12023255	REARPRESSERFOOT				*		1	1.00
29		12024501		HINGE PIN				*		1	
30		12023206		FRONT PRESSER FOOT				*		1	
31		12024501		HINGE PIN				*		1	

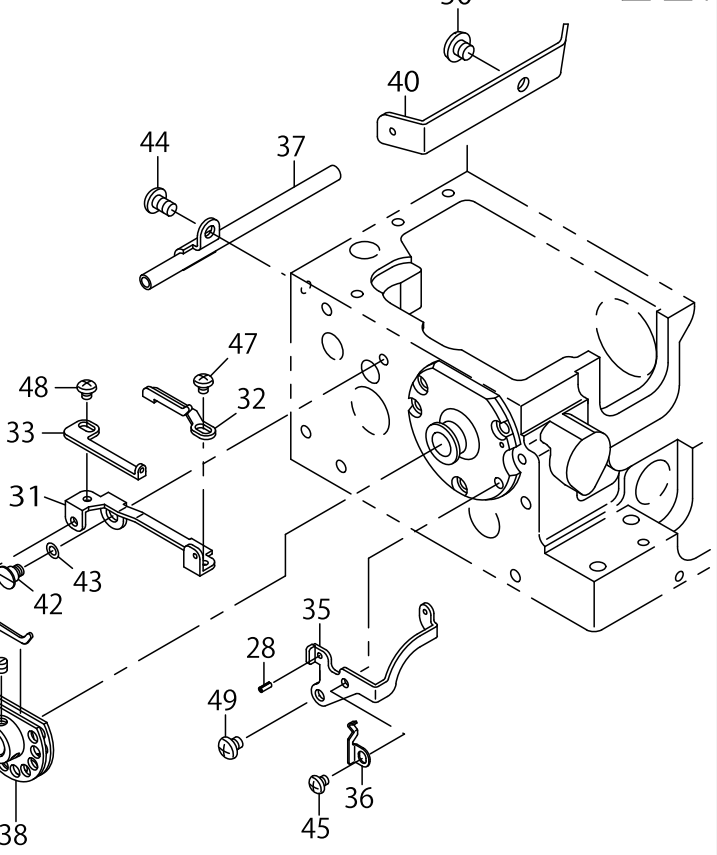
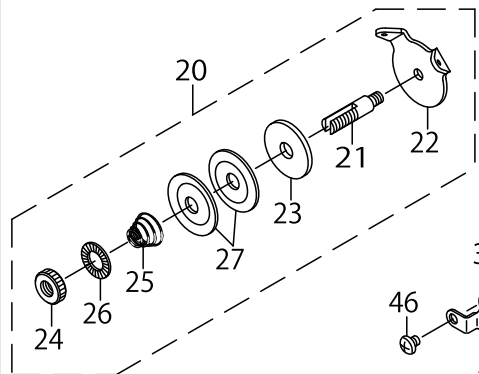
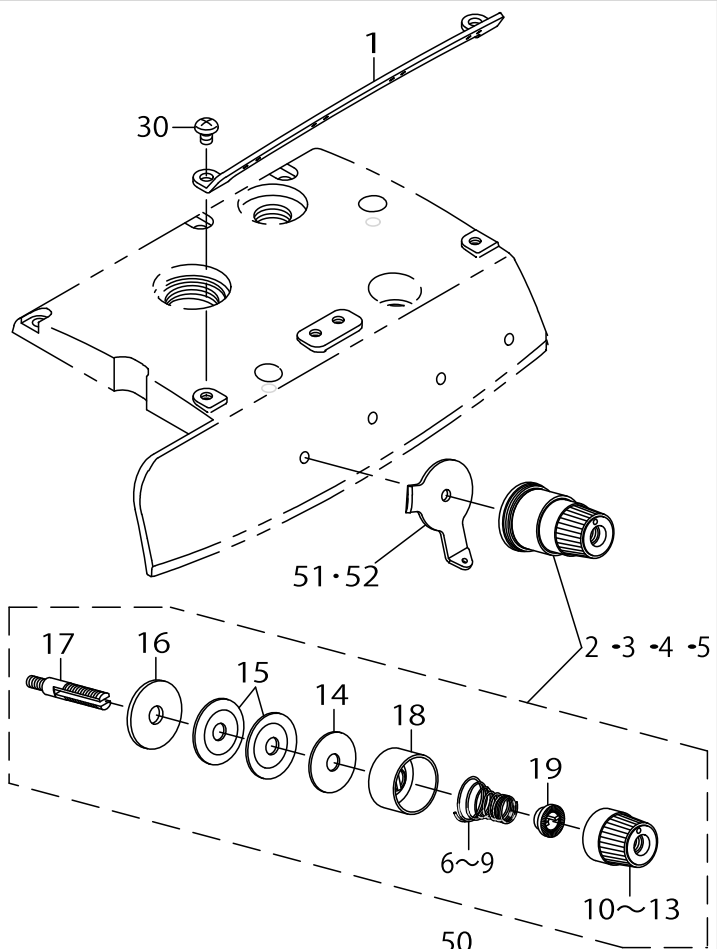
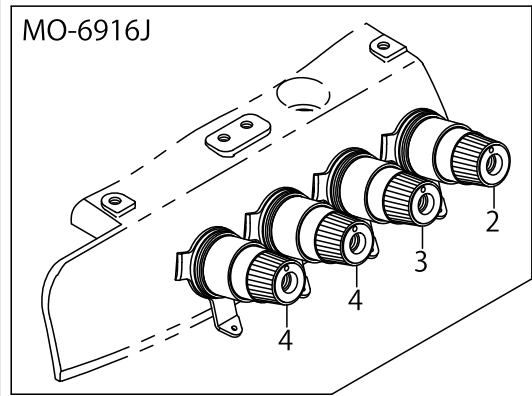
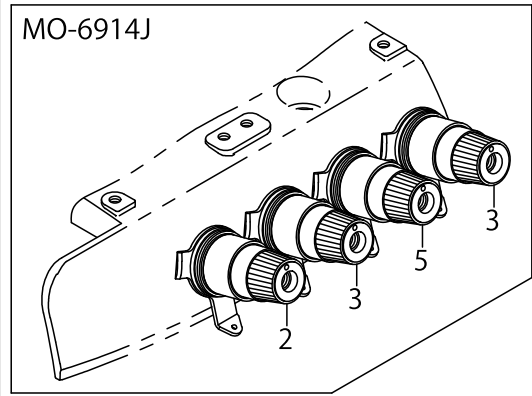
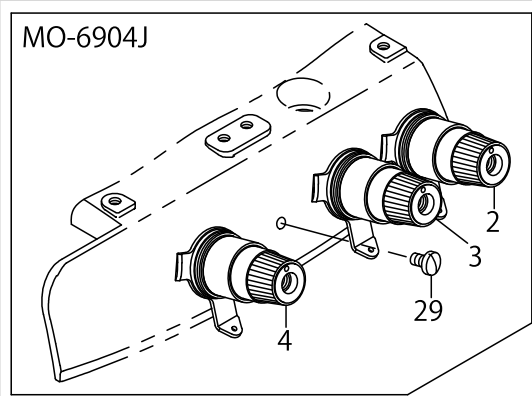
THREAD TENSION COMPONENTS



THREAD TENSION COMPONENTS

No.	Supply Code	Parts No.	Replacement	Parts name	Remarks	Choice	Step	Level	Cons	Qty	Rep. QTY
1		13225008		CENTER THREAD GUIDE						1	
2		13137559		THREAD TENSION SPRING JUNCTION						1	
3		13138359		THREAD TENSION SPRING JUNCTION	FOR MO-6-904J,MO-6-916J (1 PC. IS USED.)					1	
4		13140355		THREAD TENSION SPRING JUNCTION	FOR MO-6-914J(2 PC. ARE USED.)					1	
5		13138656		THREAD TENSION SPRING COMPL.	FOR MO-6-904J(1 PC. IS USED.)					1	
6		13137807		THREAD TENSION SPRING RED	FOR MO-6-916J(2 PC. ARE USED.)			*		1	
7		13138508		THREAD TENSION SPRING YELLOW				*		1	
8		13138805		THREAD TENSION SPRING BLUE				*		1	
9		13140207		THREAD TENSION SPRING PURPLE				*		1	
10		13137708		THREAD TENSION KNOB RED				*		1	
11		13138409		THREAD TENSION KNOB YELLOW				*		1	
12		13138706		THREAD TENSION KNOB BLUE				*		1	
13		13140108		THREAD TENSION KNOB PURPLE				*		1	
14		13138102		THREAD TENSION SPRING FELT				*		1	
15		13138201		THREAD TENSION DISK				*		2	
16		13138003		THREAD TENSION RUBBER WASHER				*		1	
17	R	13138904	13137559	THREAD TENSION BAR		A	A:	*		1	1.00
17	R	13138904	13138359	THREAD TENSION BAR		B	B:	*		1	1.00
17	R	13138904	13138656	THREAD TENSION BAR		C	C:	*		1	1.00
18		13137609		THREAD TENSION DISK PRESSER				*		1	
19		13137906		SPRING BUSHING				*		1	
20		13139555		THREAD TENSION POST CONPL.	FOR MO-6916J					1	
21	R	13140009	13139555	THREAD TENSION POST				*		1	1.00
22		13139605		TESION DISK THREAD GUIDE				*		1	
23		13139902		THREAD TENSION SPRING FELT				*		1	
24		13139803		THREAD TENSION NUT				*		1	
25		13139704		THREAD TENSION SPRING				*		1	
26		22921407		ROTATION STOPPER				*		1	
27		13138201		THREAD TENSION DISK				*		2	
28		PS0200052KH		SPRING PIN 2.3X5	FOR MO-6916J					1	
29		SS7110710SL		SCREW 11/64-40 L=7.0	FOR MO-6904J					1	
30		SS4110615SP		SCREW 11/64-40 L=6						2	
31	R	12283602	13128202	THREAD GUIDE BASE	FOR MO-6916J					1	1.00
32	R	12283701	13128301	THREAD GUIDE A	FOR MO-6916J					1	1.00
33	R	12283800	13128400	THREAD GUIDE B	FOR MO-6916J					1	1.00
34		13128509		LOWER THREAD CAM HOOK	FOR MO-6916J					1	
35		13128608		LOWER THREAD GUIDE	FOR MO-6916J					1	
36		13128707		THREAD GUIDE BASE SPRING	FOR MO-6916J					1	

THREAD TENSION COMPONENTS

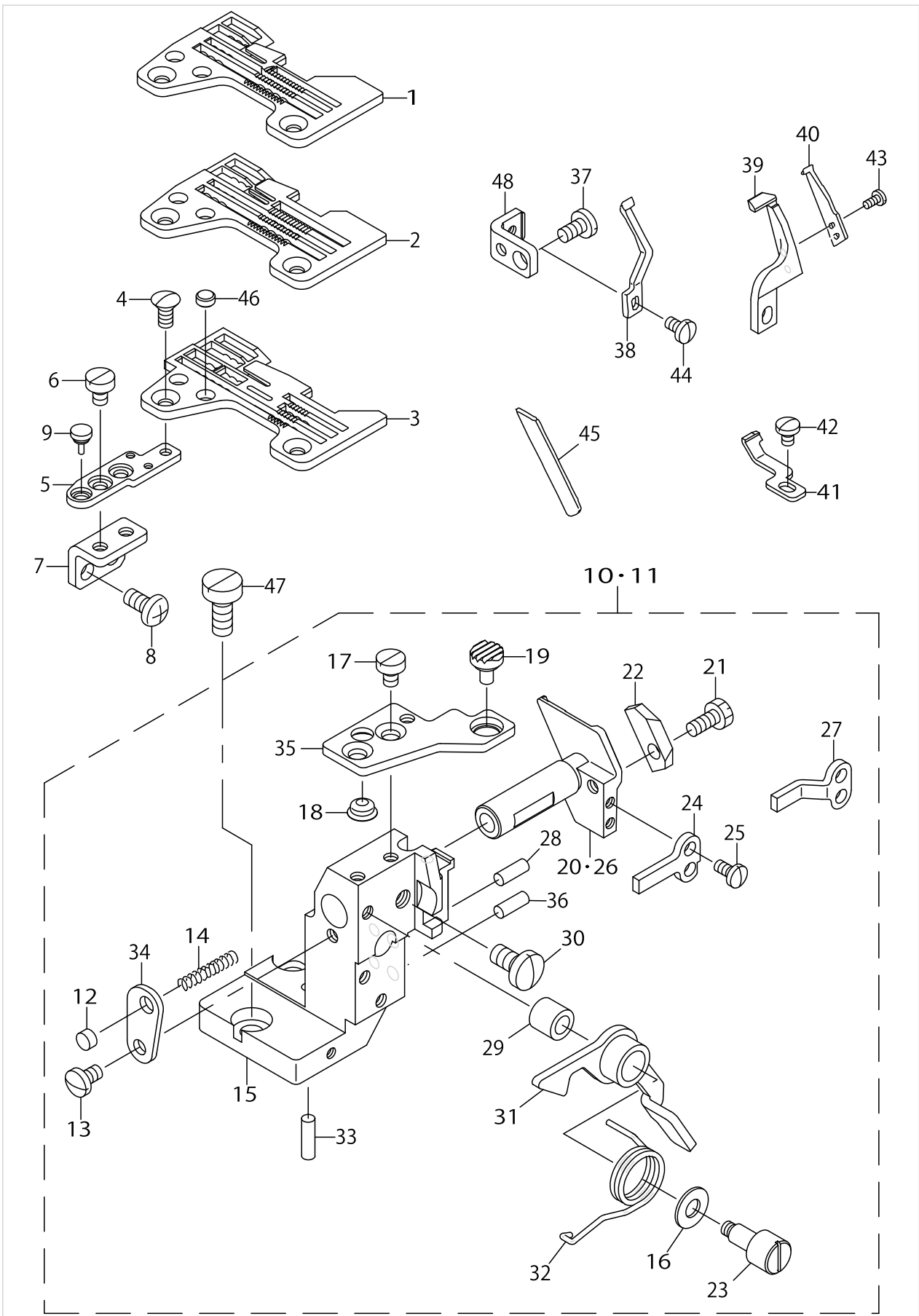


THREAD TENSION COMPONENTS

No.	Supply Code	Parts No.	Replacement	Parts name	Remarks	Choice	Step	Level	Cons	Qty	Rep. QTY
37		13129259		LOWER THREAD CONDUIT ASM.	FOR MO-6916J					1	
38	R	12347555	13129457	LOWER THREAD CAM COMPL.	FOR MO-6916J					1	1.00
39		13130000		LOWER THREAD CAM SHAFT	FOR MO-6916J					1	
40	R	B2402716000	13129101	LOOPER THREAD G- UIDE TUBE GUIDE	FOR MO-6916J					1	1.00
41		SS8110410TP		SCREW 11/64-40 L=3.5	FOR MO-6916J					2	
42		SD0600341TP		HINGE SCREW D=6.0 H=3.4	FOR MO-6916J					1	
43		WZ0640312K0		WAVED WASHER	FOR MO-6916J					1	
44		SM4050855SP		SCREW	FOR MO-6916J					1	
45		SS4090415SP		SCREW 9/64-40 L=4	FOR MO-6916J					1	
46		SS4090415SP		SCREW 9/64-40 L=4	FOR MO-6916J					1	
47		SS4090415SP		SCREW 9/64-40 L=4	FOR MO-6916J					1	
48		SS4090415SP		SCREW 9/64-40 L=4	FOR MO-6916J					1	
49		SS4110515SP		SCREW 11/64-40 L=5	FOR MO-6916J					1	
50		SS5150510SP		SCREW 15/64-28 L=5	FOR MO-6916J					1	
51		13225107		TESION DISK THREAD GUIDE	FOR MO-6904J					3	
52		13225107		TESION DISK THREAD GUIDE	FOR MO-6- 914J,MO-6916J					4	



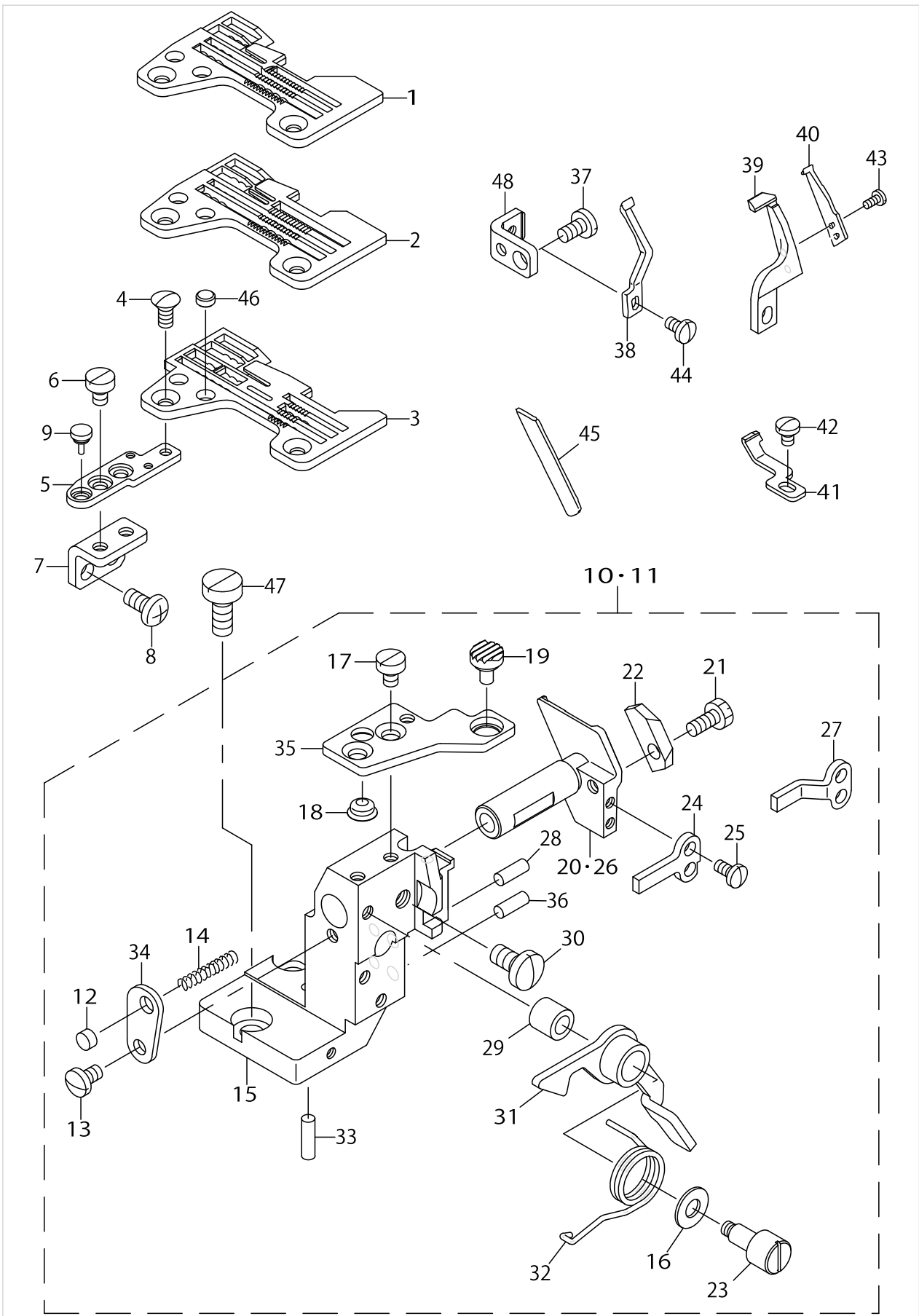
LOWER KNIFE COMPONENTS



LOWER KNIFE COMPONENTS

No.	Supply Code	Parts No.	Replacement	Parts name	Remarks	Choice	Step	Level	Cons	Qty	Rep. QTY
1		R4300J6FL00		THROAT PLATE	FOR MO-6904J					1	
2		R4306J6HJ00		THROAT PLATE	FOR MO-6914J					1	
3		R4612J6HL00		THROAT PLATE	FOR MO-6916J					1	
4		SS2110910SL		SCREW 11/64-40 L=9						2	
5		11848603		THROAT PLATE BASE C						1	
6		SS6110610TP		SCREW 11/64-40 L=6						2	
7		12378303		THROAT PLATE BASE B RETAINER						1	
8		SM4051055SP		SCREW						2	
9		11804606		RUBBER PLUG						1	
10		12377552		LOWER KNIFE BRACKET ASM.	FOR MO-6-904J,MO-6914J					1	
11		12377586		LOWER KNIFE BRACKET ASM.	FOR MO-6916J					1	
12	R	11806304	13102702	PLUG				*		1	1.00
13		SS7110720SP		SCREW 11/64-40 L=7				*		1	
14		11846607		SPRING				*		1	
15	R	12132619	13232657	LOWER KNIFE BRACKET				*		1	1.00
16		WP0621036SP		WASHER				*		1	
17		SS6110610TP		SCREW 11/64-40 L=6				*		2	
18		12103701		RUBBER PLUG B				*		1	
19	R	12103602	13235304	RUBBER PLUG A				*		1	1.00
20	R	12132700	13149505	LOWER KNIFE SLIDE STUD	FOR MO-6-904J,MO-6914J			*		1	1.00
21		SS9111010SP		SCREW 11/64-40 L=9.5				*		1	
22		12377602		LOWER KNIFE PRESSER				*		1	
23		12378204		LEVER SHAFT				*		1	
24	D	12377701		ROTATING STOPPER	FOR MO-6-904J,MO-6914J			*		1	
25		SS7090710SP		SCREW 9/64-40 L=6.8				*		2	
26		12377800		LOWER KNIFE SLIDE SHAFT	FOR MO-6916J			*		1	
27		12377909		ROTATING STOPPER	FOR MO-6916J			*		1	
28		11846805		HOLDER PIN				*		1	
29	R	12103107	13148903	RUBBER PLUG				*		1	1.00
30		SS7151120SP		SCREW 15/64-28L=11				*		1	
31	R	12102950	13148556	LEVER ASM.				*		1	1.00
32	R	12378006	12133666	SPRING		B		*		1	1.00
32	R	12378006	12377586	SPRING		D		*		1	1.00
32	R	12378006	12377560	SPRING		E		*		1	1.00
32	R	12378006	12377552	SPRING		F		*		1	1.00
32	R	12378006	13232657	SPRING		G		*		1	1.00
32	R	12378006	13232756	SPRING		H		*		1	1.00
32	R	12378006	13232657	SPRING				*		1	1.00
32	R	12378006	12257267	SPRING				*		1	1.00
33	R	12133708	12133666	HOLDER PIN		B		*		1	1.00
33	R	12133708	12377586	HOLDER PIN		D		*		1	1.00

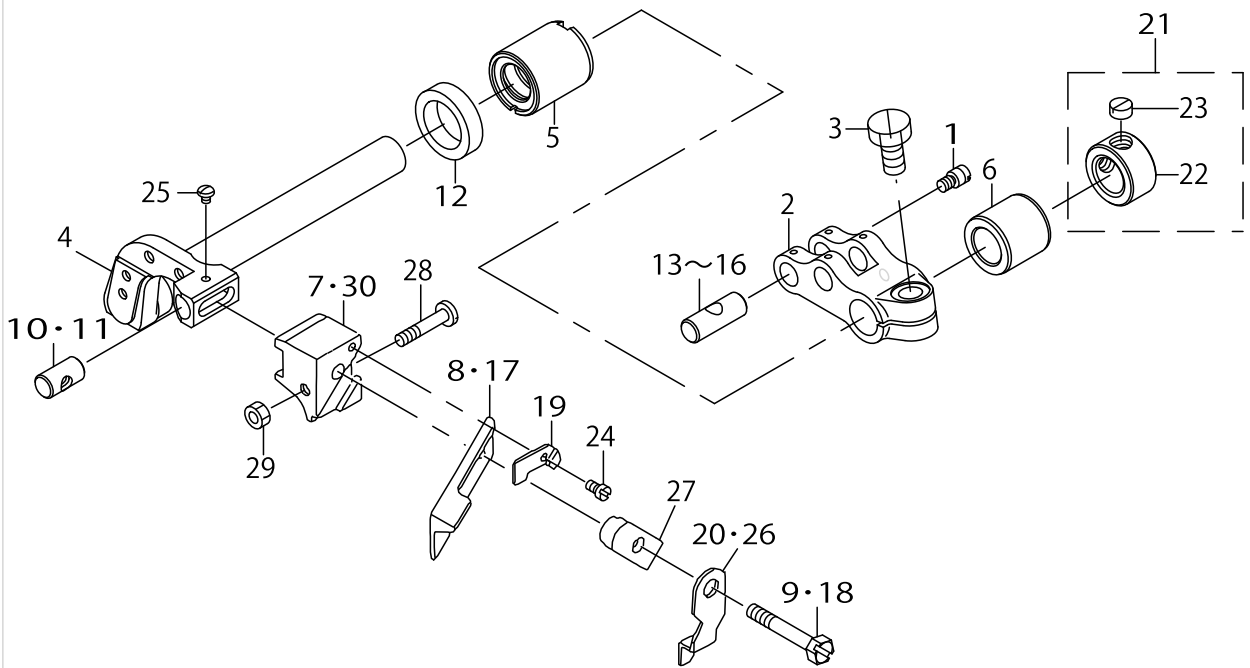
LOWER KNIFE COMPONENTS



LOWER KNIFE COMPONENTS

No.	Supply Code	Parts No.	Replacement	Parts name	Remarks	Choice	Step	Level	Cons	Qty	Rep. QTY
33	R	12133708	12377560	HOLDER PIN		F	MOJ-3904	*		1	1.00
33	R	12133708	12377552	HOLDER PIN		G	MOJ-3914, MOG-3704- /3714, MO- -6904G/6914G	*		1	1.00
33	R	12133708	13232657	HOLDER PIN		H	MO-6104D/6114D	*		1	1.00
33	R	12133708	13232756	HOLDER PIN		I	MO-6116D	*		1	1.00
33	R	12133708	13232657	HOLDER PIN				*		1	1.00
33	R	12133708	12257267	HOLDER PIN				*		1	1.00
34	R	12133211	13149307	SPRING STOPPER				*		1	1.00
35	R	12378105	12377552	THROAT PLATE BASE A				*		1	1.00
36	R	12133708	12133666	HOLDER PIN		B	MO-3916, MOR-3916/3916E	*		1	1.00
36	R	12133708	12377586	HOLDER PIN		D	MOJ-3916, MOG-3716, MO-6916G/6916J	*		1	1.00
36	R	12133708	12377560	HOLDER PIN		F	MOJ-3904	*		1	1.00
36	R	12133708	12377552	HOLDER PIN		G	MOJ-3914, MOG-3704- /3714, MO- -6904G/6914G	*		1	1.00
36	R	12133708	13232657	HOLDER PIN		H	MO-6104D/6114D	*		1	1.00
36	R	12133708	13232756	HOLDER PIN		I	MO-6116D	*		1	1.00
36	R	12133708	13232657	HOLDER PIN				*		1	1.00
36	R	12133708	12257267	HOLDER PIN				*		1	1.00
37		SS7110840SP		SCREW 11/64-40 L=7.8						1	
38		12015509		NEEDLE GUARD	FOR MO-6- 904J,MO-6914J					1	
39		12015301		NEEDLE HOLDER	FOR MO-6916J					1	
40		12015400		NEEDLE HOLDER	FOR MO-6916J					1	
41		12384509		NEEDLE HOLDER	FOR MO-6916J					1	
42		SS7090510SP		SCREW 9/64-40 L=4.6	FOR MO-6916J					1	
43		SS7060510SP		SCREW 3/32-56 L=4.8	FOR MO-6916J					2	
44		SS7090610SP		SCREW 9/64-40 L=6						1	
45		11566502		LOWER KNIFE						1	
46		13102702		THROAT PLATE COVER						2	
47		SS6151440SP		SCREW 15/64-28 L=14						2	
48		13151105		NEEDLE HOLDER SUPPORT						1	

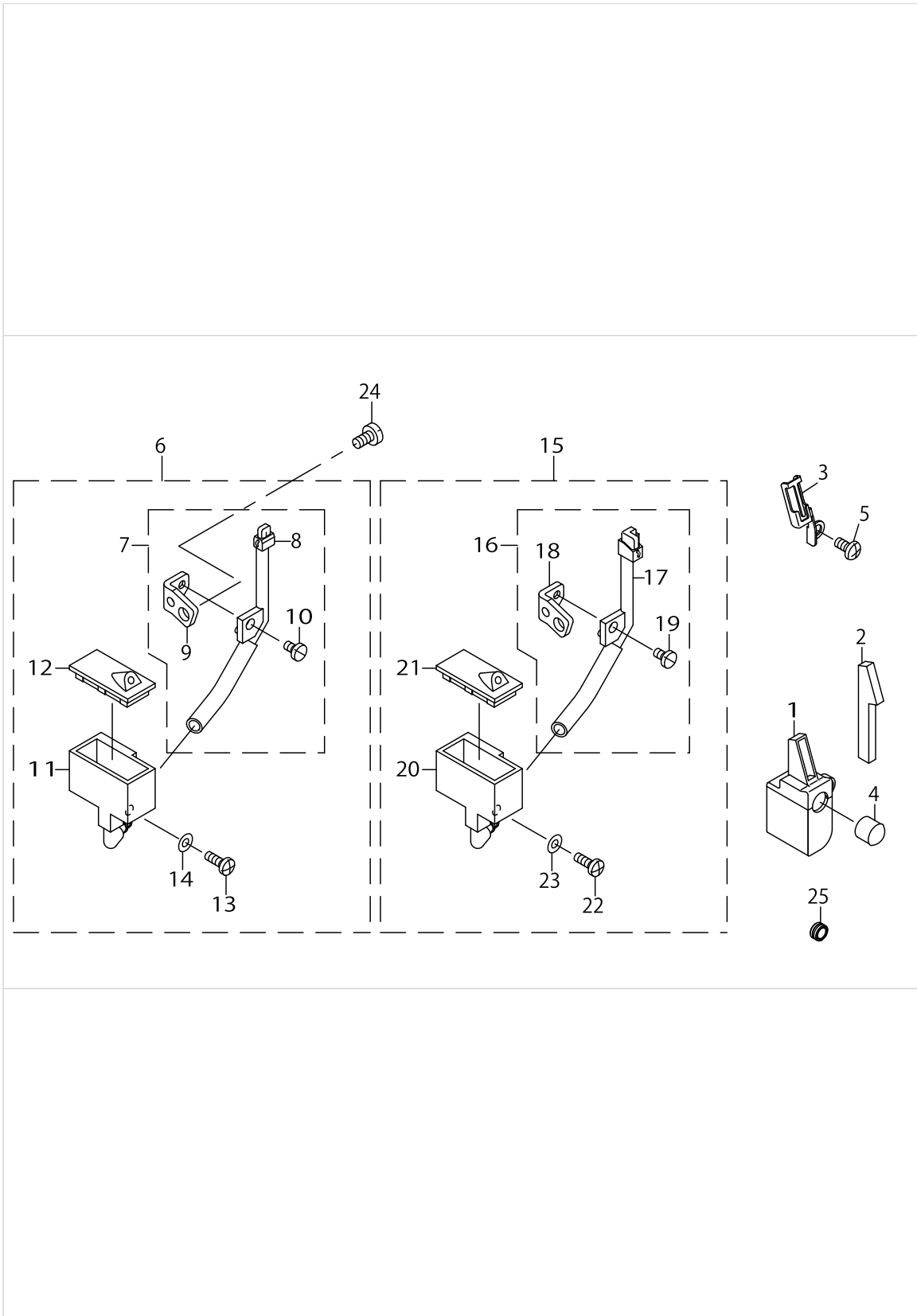
UPPER KNIFE COMPONENTS



UPPER KNIFE COMPONENTS

No.	Supply Code	Parts No.	Replacement	Parts name	Remarks	Choice	Step	Level	Cons	Qty	Rep. QTY
1	R	B2024771000	40009196	SUSPENSION SCREW						1	1.00
2	R	12318002	31215957	UPPER KNIFE DRIVING ARM						1	1.00
3		SM9061250TP		SCREW M6 L=12						1	
4		31216005		KNIFE ARM SHAFT						1	
5		13277405		BUSHING FRONT						1	
6		13151006		BUSHING REAR						1	
7		11598000		UPPER KNIFE SUPPORT	FOR MO-6-904J,MO-6914J					1	
8		11565900		UPPER KNIFE	FOR MO-6916J					1	
9		SS9111610SP		SCREW 11/64-40L=16	FOR MO-6-904J,MO-6914J					1	
10		12019105		UPPER KNIFE GUIDE SHAFT	FOR MO-6916J					1	
11		13150800		UPPER KNIFE GUIDE SHAFT	FOR MO-6-904J,MO-6914J					1	
12		11566809		OIL SEAL						1	
13		13122007		CRANK PIN A	SELECTIVE PARTS					1	
14		13122106		CRANK PIN B	SELECTIVE PARTS					1	
15		13122205		CRANK PIN C	SELECTIVE PARTS					1	
16		13122304		CRANK PIN D	SELECTIVE PARTS					1	
17		B411180400E		UPPER KNIFE	FOR MO-6-904J,MO-6914J					1	
18		SS9112420TP		SCREW 11/64-40L=24	FOR MO-6916J					1	
19		11565702		WASHER						1	
20		11565603		UPPER KNIFE COVER	FOR MO-6-904J,MO-6916J					1	
21		CS111101HSH		THRUST COLLAR ASM.						1	
22		CS1111019SH		THRUST COLLAR D=11.11 W=10				*		1	
23		SS8660330SP		SCREW 1/4-40 L=3.0				*		1	
24		SS4060310SP		SCREW 3/32-56 L=2.5						1	
25		SS4060310SP		SCREW 3/32-56 L=2.5						1	
26		11848405		UPPER KNIFE COVER	FOR MO-6914J					1	
27		11565504		UPPER KNIFE PRESSER PLATE						1	
28		SS7091810SP		SCREW 9/64-40 L=17.5	FOR MO-6916J					1	
29		NS6090310SP		NUT 9/64-40	FOR MO-6916J					1	
30		12019006		UPPER KNIFE SUPPORT	FOR MO-6916J					1	

NEEDLE COOLING MECHANISM COMPONENTS

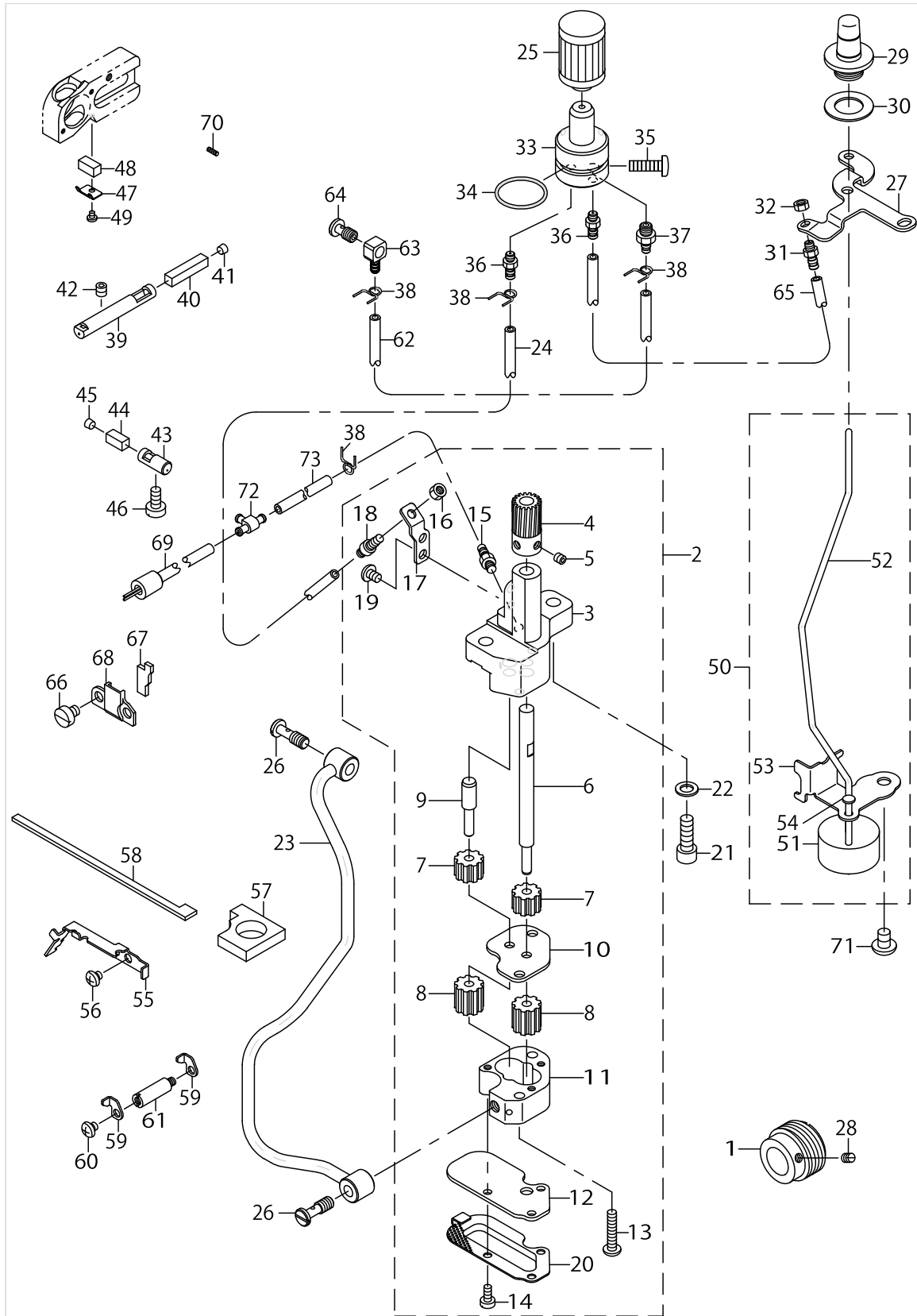


NEEDLE COOLING MECHANISM COMPONENTS

No.	Supply Code	Parts No.	Replacement	Parts name	Remarks	Choice	Step	Level	Cons	Qty	Rep. QTY
1		13163456		SILICON TANK ASM.						1	
2		13163803		NEEDLE THREAD FELT						1	
3		13163902		NEEDLE THREAD FELT PRESSER						1	
4		TA0950806R0		RUBBER PLUG						1	
5		SM4041055SP		SCREW						1	
6		13162557		NEEDLE COOLER U-NIT ASM. (OVER)	FOR MO-6-904J,MO-6914J					1	
7	R	13162565	13162581	NEEDLE COOLER UNIT COMPL.				*		1	1.00
8	R	13162573	13162581	NEEDLE COOLER U-NIT ASM. (OVER)				*		1	1.00
9		13162805		NEEDLE COOLER SUPPORT				*		1	
10		SS7090610SP		SCREW 9/64-40 L=6				*		1	
11		13162904		TANK				*		1	
12		13163001		TANK COVER				*		1	
13		SS4091015SP		SCREW 9/64-40 L=10				*		1	
14		WP0371026SD		WASHER 3.7X7X1				*		1	
15		13163159		NEEDLE COOLER U-NIT ASM.(INTER)	FOR MO-6916J					1	
16	R	13163167	13163183	NEEDLE COOLER COMPL.(INTER)				*		1	1.00
17	R	13163175	13163183	NEEDLE COOLER ASM.(INTER)				*		1	1.00
18		13162805		NEEDLE COOLER SUPPORT				*		1	
19		SS7090610SP		SCREW 9/64-40 L=6				*		1	
20		13162904		TANK				*		1	
21		13163001		TANK COVER				*		1	
22		SS4091015SP		SCREW 9/64-40 L=10				*		1	
23		WP0371026SD		WASHER 3.7X7X1				*		1	
24		SS7110840SP		SCREW 11/64-40 L=7.8						1	
25	R	13163704	13163456	BUSHING						1	1.00



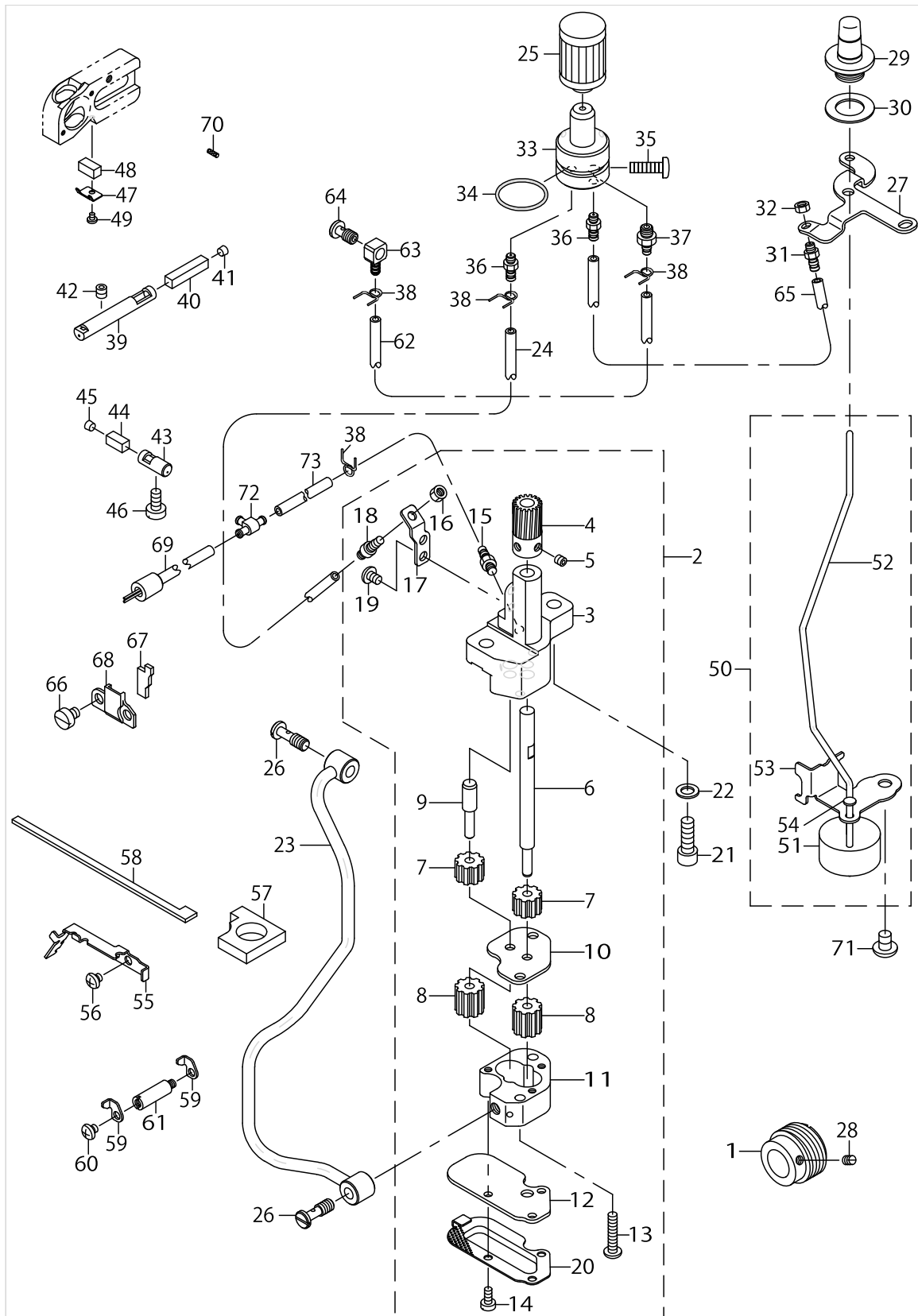
# LUBRICATION MECHANISM COMPONENTS



LUBRICATION MECHANISM COMPONENTS

No.	Supply Code	Parts No.	Replacement	Parts name	Remarks	Choice	Step	Level	Cons	Qty	Rep. QTY
1		12315008		WORM						1	
2		40018045		OIL PUMP ASM						1	
3	R	12315909	40018044	OIL PUMP				*		1	1.00
4		13343009		WORM WHEEL				*		1	
5		SM8050412TP		SCREW M5 L=4				*		2	
6	R	11918109	40018044	GEAR PUMP SHAFT LARGE				*		1	1.00
7	R	B3534352000	13228309	PINION GEAR				*		2	1.00
8		11840303		OIL PUMP PINION				*		2	
9	R	12317004	40018044	GEAR PUMP SHAFT		A	MO6700/6900G	*		1	1.00
9	R	12317004	40018045	GEAR PUMP SHAFT		B	MO6900R/6900J	*		1	1.00
10	R	12316006	40018044	PINION SPACER				*		1	1.00
11	D	12316105		CASING				*		1	
12	R	40016762	40018044	PUMP COVER		A	MO-6700.6900G.S	*		1	1.00
12	R	40016762	40018045	PUMP COVER		B	MO-6900C.J.R	*		1	1.00
12	R	40016762	40109455	PUMP COVER				*		1	1.00
13		SS4112215SP		SCREW11/64-40L=22				*		2	
14		SS6090810SP		SCREW 9/64-40 L=7.5				*		3	
15		SQ1110401MZ		CONNECTING SCREW				*		1	
16		NS6110310SP		NUT 11/64-40				*		1	
17		12129318		CONNECTING SCREW BRACKET				*		1	
18		SQ1110451MZ		CONNECTING SCREW				*		1	
19		SS4110615SP		SCREW 11/64-40 L=6				*		2	
20		40016763		PUMP NET				*		1	
21		SM6061802TP		SCREW M6 L=18						2	
22		WP0651056SD		WASHER 6.5X11X1						2	
23		13228655		LUBRICATION MEC- HANISM PIPE ASM						1	
24		23630007		TUBE						.21	
25		13142500		CARTRIDGE FILTER						1	
26		SQ1150454SD		CONNECTING SCREW						2	
27		12315800		OILING EXIT SUPPORT						1	
28		SS8110520TP		SCREW 11/64-40 L=4.5						1	
29		13143300		OIL GAUGE						1	
30		13144001		OIL GAUGE GASKET						1	
31		SQ1110451MZ		CONNECTING SCREW						1	
32		NS6110310SP		NUT 11/64-40						1	
33		13142955		FILTER GUIDE ASM.						1	
34		13170808		RUBBER RING						1	
35		SM4051601SC		SCREW M5X0.8 L=16						1	
36		SQ1110451MZ		CONNECTING SCREW						2	
37		SQ1150451MZ		CONNECTING SCREW						1	
38		13142609		OIL TUBE HOLDER						4	
39		13144100		OILING PIN						1	
40		13144209		OIL FELT						1	
41		TA0400301M0		PLUG D=4X4.5 L=3						1	
42		SM8050502TP		SCREW M5 L=5						1	
43		13143417		OILING PIN						1	

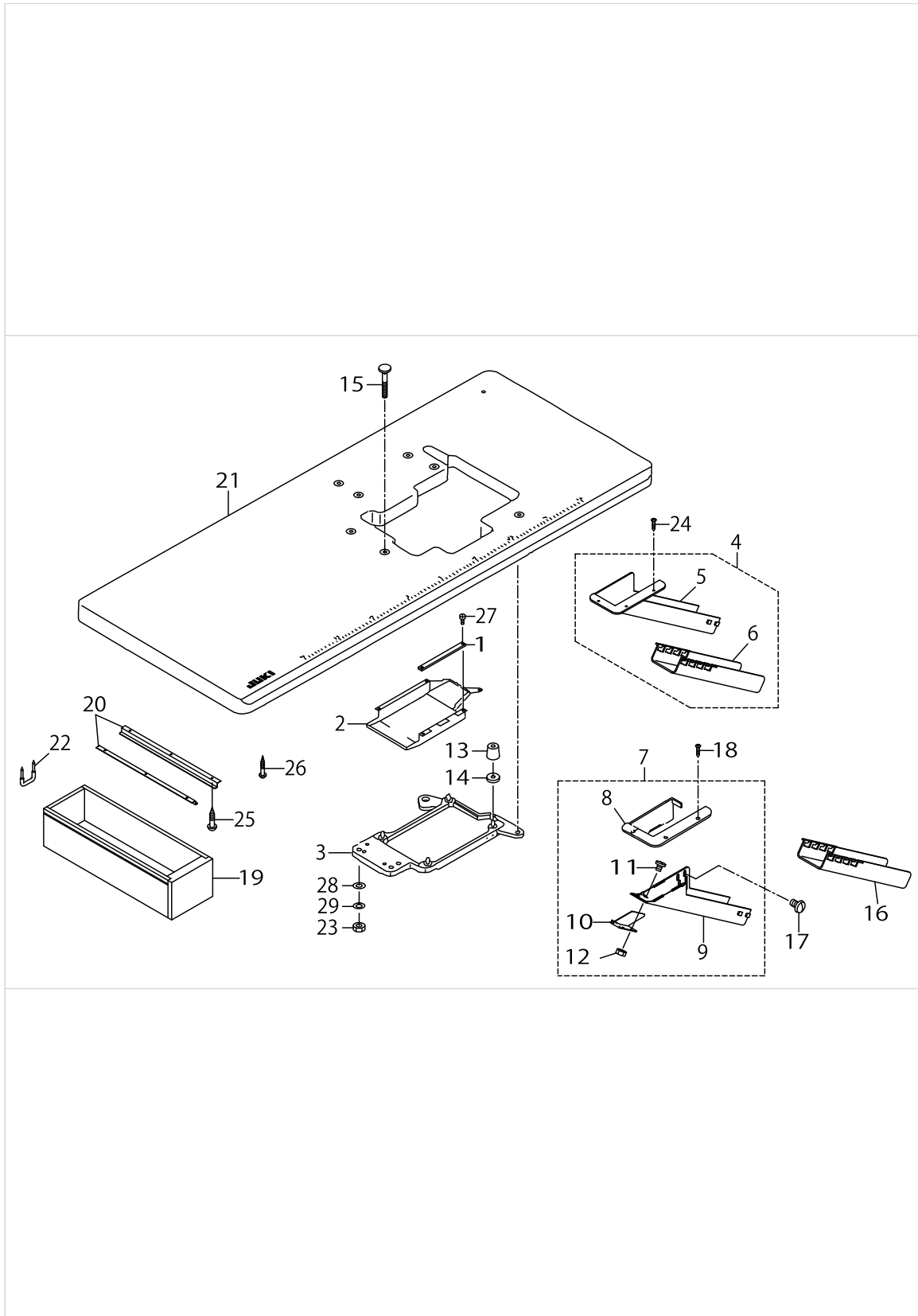
# LUBRICATION MECHANISM COMPONENTS



LUBRICATION MECHANISM COMPONENTS

No.	Supply Code	Parts No.	Replacement	Parts name	Remarks	Choice	Step	Level	Cons	Qty	Rep. QTY
44		13143508		OIL FELT						1	
45		13230107		OIL PLUG						1	
46		SS6121020SP		SCREW 3/16-28 L=9.5						1	
47		13230008		OIL FELT PRESSER						1	
48		13143706		OIL FELT						1	
49		SS7060310SP		SCREW 3/32-56 L=3						1	
50		13275151		FLOAT ASM.						1	
51	R	13275102	13275151	FLOAT				*		1	1.00
52	R	13275003	13275151	OIL GAUGE BAR				*		1	1.00
53		13229307		FLOAT SUPPORT				*		1	
54		13275201		FLOAT GUIDE BAR				*		1	
55		13228804		OIL FELT GUIDE						1	
56		31018005		SCREW						2	
57		13229109		OIL FELT B						1	
58		13229406		OIL FELT A						1	
59		13228903		OIL FELT PRESSER						2	
60		31018005		SCREW						1	
61		13229000		FELT PRESSER SPACER						1	
62		BP30000010R		VINYL PIPE						.28	
63		SQ0000451MZ		CONNECTING SCREW						1	
64		SQ1150441SD		CONNECTING SCREW						1	
65		23630007		TUBE						.17	
66		SS6120620TP		SCREW						2	
67	D	13276902		ONCE THROUGH OIL FELT B						1	
68		13277009		ONCE THROUGH COVER						1	
69		13277157		ONCE THROUGH PIPE ASM.						1	
70		CQ202000000		OIL WICK						.06	
71		SM4060801SE		SCREW						1	
72		13765607		OIL CONNEC. ARM						1	
73		23630007		TUBE						.1	

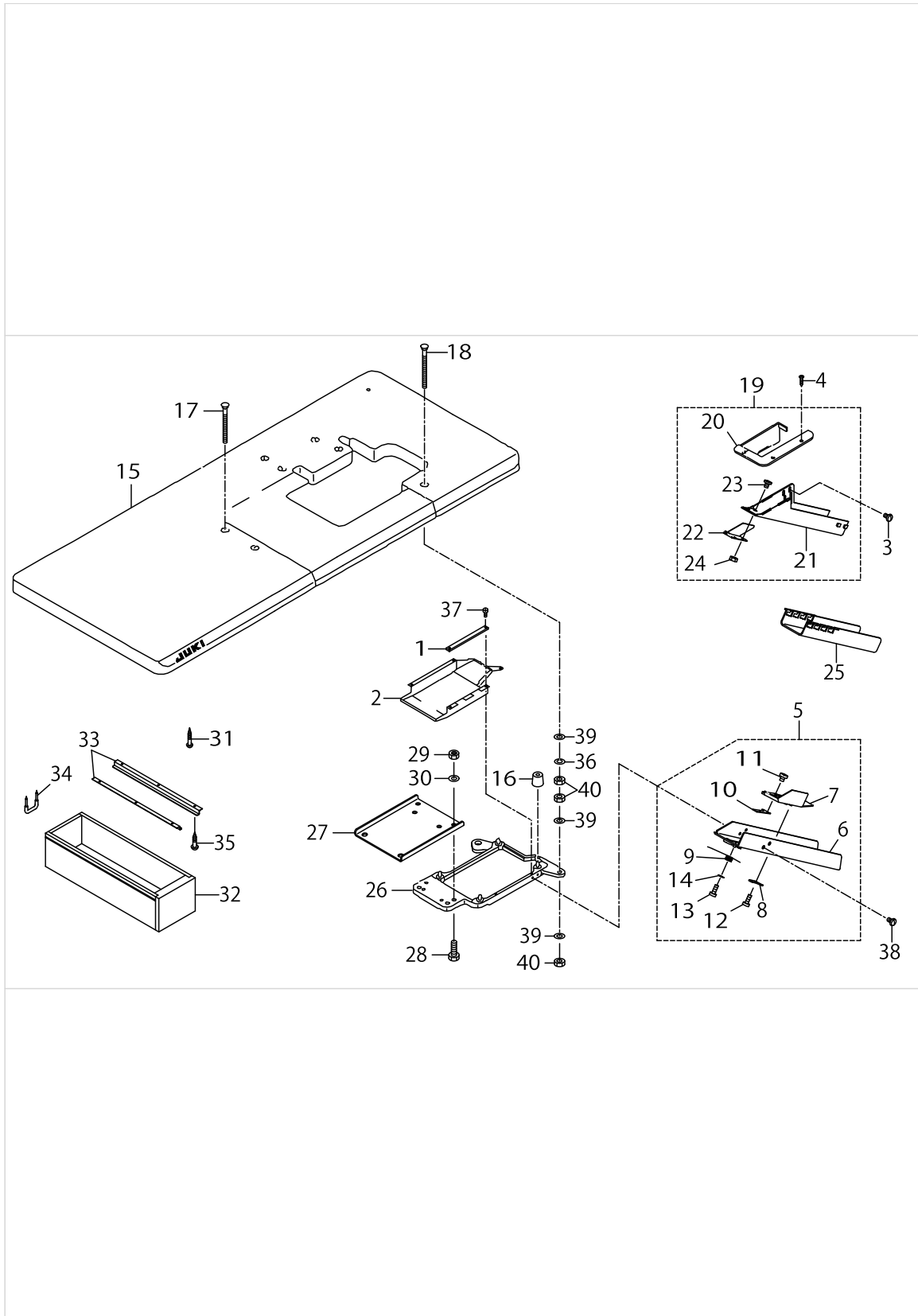
SEMI-SUNKEN TYPE TABLE COMPONENTS



SEMI-SUNKEN TYPE TABLE COMPONENTS

No.	Supply Code	Parts No.	Replacement	Parts name	Remarks	Choice	Step	Level	Cons	Qty	Rep. QTY
1		13161005		CASE SPONGE						1	
2		13160908		COOLING FAN CASE						1	
3		13161153		FRAME SUPPORT PLATE ASM.						1	
4		12341954		CLOTH WASTE CHUTE ASM.	EXCEPT JE					1	
5		12341905		CLOTH WASTE CHUTE(SEMI-SUNKEN)				*		1	
6		12341806		CLOTH WASTE CHUTE				*		1	
7		13155759		CLOTH WASTE CHUTE ASM.	FOR JE					1	
8	R	13155601	13155759	CLOTH WASTE CHUTE INLET				*		1	1.00
9	R	13155700	13155759	CLOTH WASTE CHUTE UPPER				*		1	1.00
10		13155502		CHUTE SUPPORT				*		1	
11		SS5090610SP		SCREW 9/64-40 L=6				*		3	
12		NS6090310SP		NUT 9/64-40				*		3	
13		13155403		DUST-PROOF RUBBER						4	
14		13156500		DUST-PROOF RUBBER SPACER						4	
15		13155007		HOLDING PLATE BOLT						4	
16		12341806		CLOTH WASTE CHUTE	FOR JE					1	
17		SS5110710SP		SCREW 11/64-40 L=7	FOR JE					2	
18		SK2351601SE		SCREW	FOR JE					3	
19	R	11155108	11155157	DRAWER						1	1.00
20		11155207		DRAWER SUPPORT						2	
21		11959400		TABLE (SEMI-SUNKEN)						1	
22		D8204555D00		DRAWER STOPPER						1	
23		NS6240630SE		NUT 3/8-18						4	
24		SK2351601SE		SCREW	EXCEPT JE					3	
25	D	SK3311500SC		WOOD SCREW D=3.1 L=15						6	
26	R	SK3513200SC	SK3513201SE	WOOD SCREW D=5.1 L=32						4	1.00
27		SS6090630TP		SCREW 9/64-40 L=6						5	
28		WP1002036SE		WASHER 10X21X2						4	
29		WS1002560KR		SPRING WASHER 10X18X2.5						4	

FULLY-SUNKEN TYPE TABLE COMPONENTS

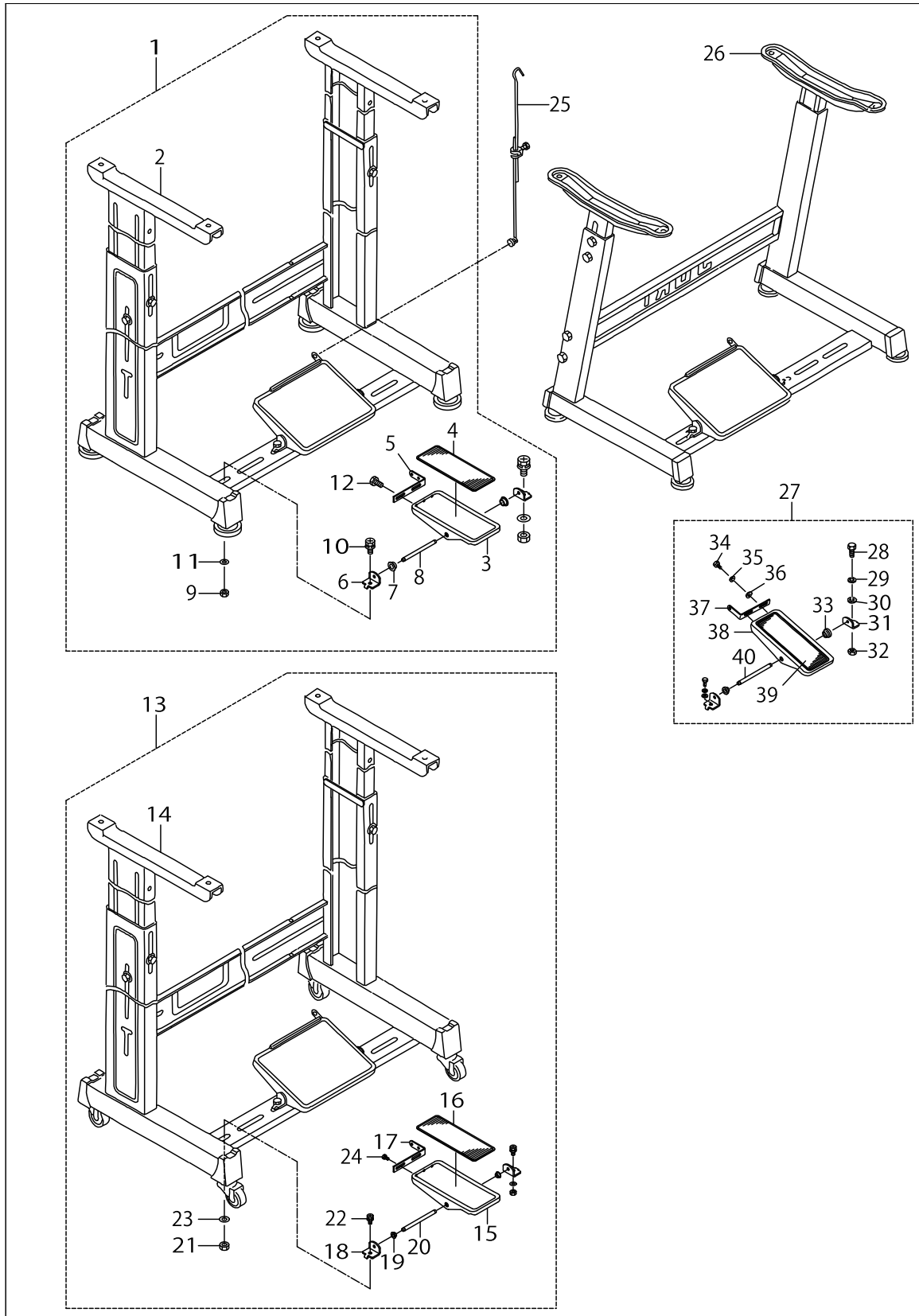


FULLY-SUNKEN TYPE TABLE COMPONENTS

No.	Supply Code	Parts No.	Replacement	Parts name	Remarks	Choice	Step	Level	Cons	Qty	Rep. QTY
1		13161005		CASE SPONGE						1	
2		13160908		COOLING FAN CASE						1	
3		SS5110710SP		SCREW 11/64-40 L=7	FOR JE					2	
4		SK2351601SE		SCREW	FOR JE					3	
5		13155858		CLOTH WASTE CHUTE ASM.	EXCEPT JE					1	
6	R	13156203	13155858	CLOTH WASTE CHUTE				*		1	1.00
7	R	13156302	13155858	CLOTH WASTE CHUTE INLET				*		1	1.00
8	R	13155908	13155858	CHUTE INLET LEVER				*		1	1.00
9	R	13156005	13155858	CHUTE INLET SPRING				*		1	1.00
10	R	13156104	13155858	CHUTE INLET RUBBER				*		1	1.00
11		SS6090420SP		SCREW 9/64-40 L=4.0				*		2	
12		ST60308210A		SCREW D=3-24 L=8				*		2	
13		ST60308210A		SCREW D=3-24 L=8				*		1	
14		WP0370316SD		WASHER 3.7X8X0.3				*		1	
15		11959558		TABLE ASM.						1	
16		13155403		DUST-PROOF RUBBER						4	
17		13155106		HOLDING PLATE BOLT C						2	
18		13155205		HOLDING PLATE BOLT D						2	
19		13155759		CLOTH WASTE CHUTE ASM.	FOR JE					1	
20	R	13155601	13155759	CLOTH WASTE CHUTE INLET				*		1	1.00
21	R	13155700	13155759	CLOTH WASTE CHUTE UPPER				*		1	1.00
22		13155502		CHUTE SUPPORT				*		1	
23		SS5090610SP		SCREW 9/64-40 L=6				*		3	
24		NS6090310SP		NUT 9/64-40				*		3	
25		12341806		CLOTH WASTE CHUTE	FOR JE					1	
26		13161153		FRAME SUPPORT PLATE ASM.						1	
27		13155304		FRAME HOLDING PLATE COUPLING						1	
28		SM9082513CF		SCREW M8 L=25						4	
29		NM6080600SM		NUT M8						4	
30		WP0850002SC		WASHER 8.5X18X1.6						4	
31	R	SK3513200SC	SK3513201SE	WOOD SCREW D=5.1 L=32						4	1.00
32	R	11155108	11155157	DRAWER						1	1.00
33		11155207		DRAWER SUPPORT						2	
34		D8204555D00		DRAWER STOPPER						1	
35	D	SK3311500SC		WOOD SCREW D=3.1 L=15						6	
36		WS1002560KR		SPRING WASHER 10X18X2.5						4	
37		SS6090630TP		SCREW 9/64-40 L=6						5	
38		SS5110710SP		SCREW 11/64-40 L=7	EXCEPT JE					2	
39		WP1002036SE		WASHER 10X21X2						12	
40		NS6240630SE		NUT 3/8-18						12	



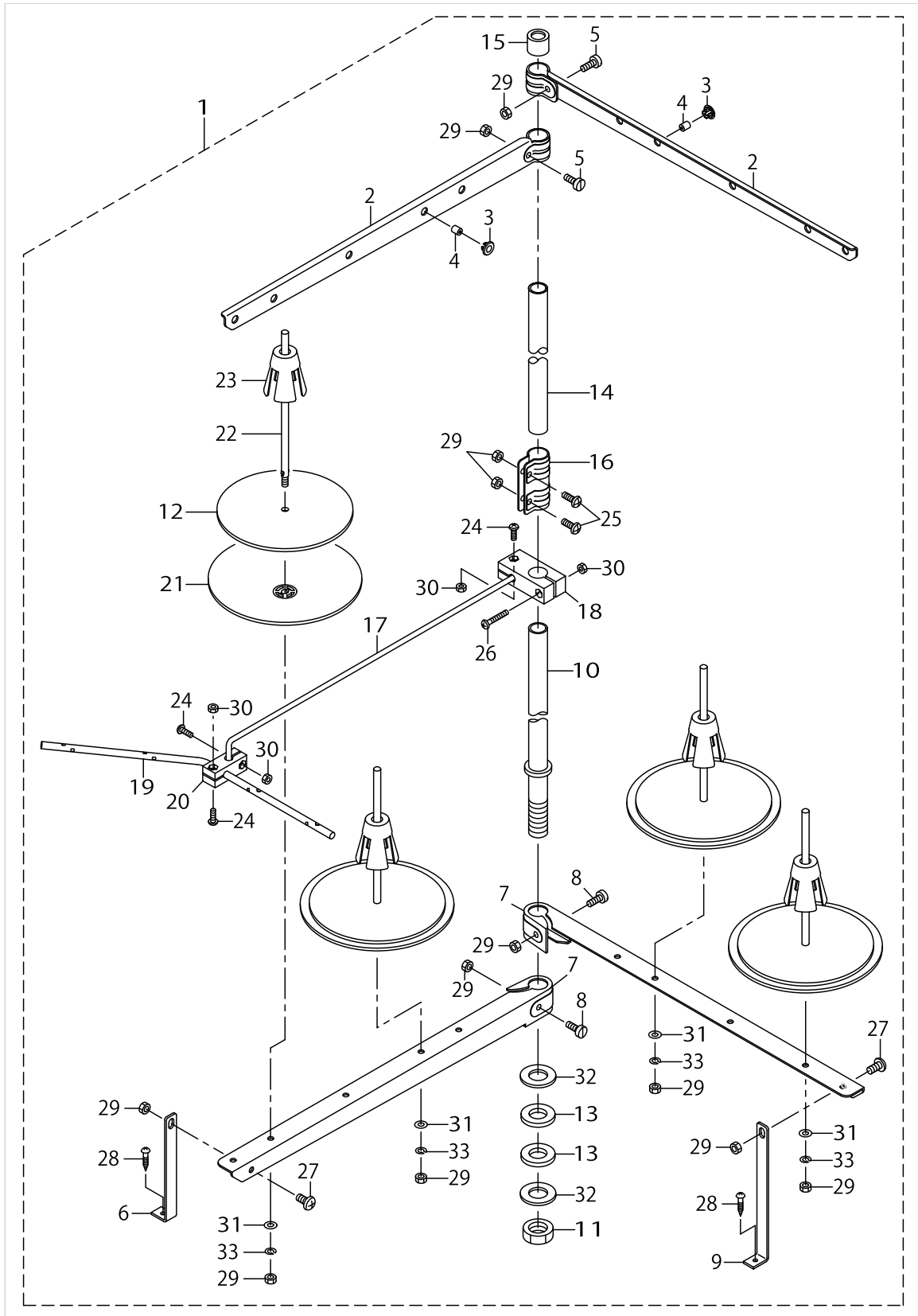
STAND COMPONENTS (Z-T)



STAND COMPONENTS (Z-T)

No.	Supply Code	Parts No.	Replacement	Parts name	Remarks	Choice	Step	Level	Cons	Qty	Rep. QTY
1		11960655		T STAND JUNCTION						1	
2		11157567		T LEG JUNCTION				*		1	
3	R	GPF06060000	GPF060600A0	PEDAL				*		1	1.00
4		GPF06070000		PEDAL MAT				*		1	
5		GPF06080000		PEDAL ADJUSTING PLATE				*		1	
6		11159001		PEDAL SHAFT BRACKET				*		2	
7		D8113555B00		PEDAL BUSHING				*		2	
8		B8153771000		PEDAL CONNECTING ROD				*		1	
9		NM6080001SE		NUT M8				*		2	
10		SL9082091SE		WASHER HEXAGONAL BOLT				*		2	
11		WP0871602SE		WASHER 8.7X18X1.6				*		2	
12		SL9061291SE		WASHER HEXAGONAL BOLT M6 L=12				*		2	
13	R	11960754	11159407	T STAND JUNCTION(WITH CASTER)		A				1	4.00
13	R	11960754	11960655	T STAND JUNCTION(WITH CASTER)		A				1	1.00
14		11159365		T STAND JUNCTION				*		1	
15	R	GPF06060000	GPF060600A0	PEDAL				*		1	1.00
16		GPF06070000		PEDAL MAT				*		1	
17		GPF06080000		PEDAL ADJUSTING PLATE				*		1	
18		11159001		PEDAL SHAFT BRACKET				*		2	
19		D8113555B00		PEDAL BUSHING				*		2	
20		B8153771000		PEDAL CONNECTING ROD				*		1	
21		NM6080001SE		NUT M8				*		2	
22		SL9082091SE		WASHER HEXAGONAL BOLT				*		2	
23		WP0871602SE		WASHER 8.7X18X1.6				*		2	
24		SL9061291SE		WASHER HEXAGONAL BOLT M6 L=12				*		2	
25		B71140120A0		MOTOR CONNECTING ROD ASM.						1	
26	D	11151065		Z LEG JUNCTION (B)						1	
27	D	B81517710A0		PEDAL ASM.						1	
28		SM9082023SE		SCREW M8 L=20				*		2	
29		WS0861410KR		SPRING WASHER 8.6X15X1.4				*		2	
30		WP0871602SE		WASHER 8.7X18X1.6				*		4	
31		11151909		PEDAL SHAFT BRACKET				*		2	
32		NM6080721SE		NUT M8				*		2	
33		D8113555B00		PEDAL BUSHING				*		2	
34		SM9061203SE		SCREW M6 L=12				*		2	
35		WS0621210KR		SPRING WASHER 6.2X11.4X1.2				*		2	
36		WP0671016SE		WASHER 6.7X13X1				*		2	
37	D	11246600		PEDAL ADJUSTING PLATE				*		1	
38	D	11246501		PEDAL				*		1	
39		B8152771000		PEDAL MAT				*		1	
40		B8153771000		PEDAL CONNECTING ROD				*		1	

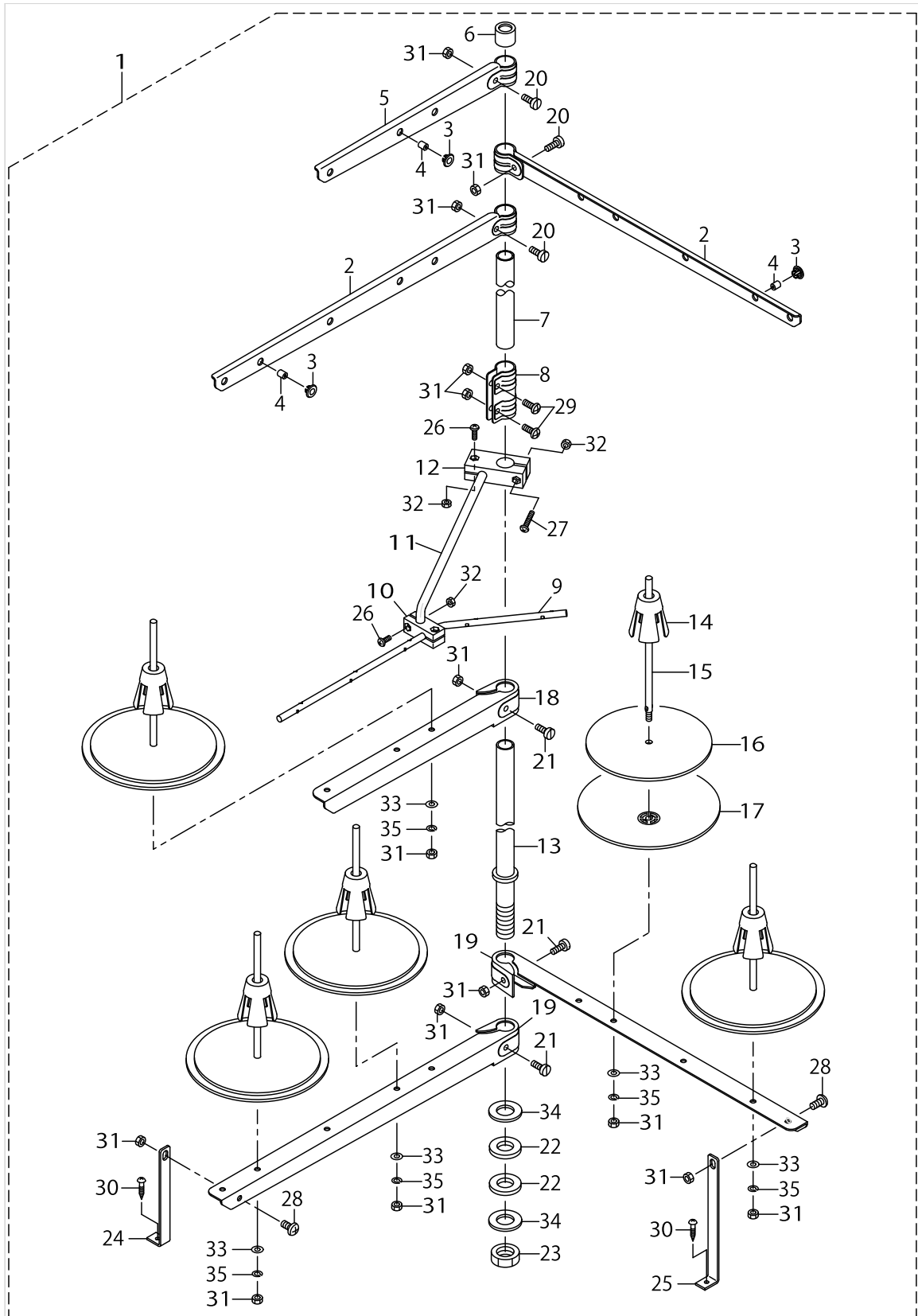
THREAD STAND COMPONENTS (FOR MO-6904J,MO-6914J)



THREAD STAND COMPONENTS (FOR MO-6904J,MO-6914J)

No.	Supply Code	Parts No.	Replacement	Parts name	Remarks	Choice	Step	Level	Cons	Qty	Rep. QTY
1		40106593		THREAD STAND ASM.						1	
2		40106575		SPOOL REST LONG ARM UPPER				*		2	
3		40085795		THREAD GUIDE BUSHING				*		4	
4		40085794		THREAD GUIDE				*		4	
5	R	40096327	SM4053001SE	SPOOL REST ARM UPPER SCREW				*		2	1.00
6		40106577		SPOOL REST ARM LOWER A				*		1	
7		40106574		SPOOL REST LONG ARM LOWER				*		2	
8		40096326		SPOOL REST ARM LOWER SCREW				*		2	
9		40106578		SPOOL REST ARM LOWER B				*		1	
10		40085784		SPOOL REST ROD LOWER				*		1	
11		40096325		SPOOL REST ROD NUT				*		1	
12		40085789		SPOOL REST CUSHION				*		4	
13		40085796		SPOOL REST ROD RUBBER CUSHION				*		2	
14		40085785		SPOOL REST ROD UPPER				*		1	
15		40085793		SPOOL REST ROD RUBBER CAP				*		1	
16		40085792		SPOOL REST ROD JOINT				*		1	
17		40106576		THREAD GUIDE ARM				*		1	
18		40106579		THREAD GUIDE ARM BASE				*		1	
19		40106582		THREAD GUIDE 4				*		1	
20		40106580		THREAD GUIDE UNDER BASE				*		1	
21		40085788		SPOOL REST				*		4	
22		40085790		SPOOL PIN				*		4	
23		40085791		SPOOL RETAINER				*		4	
24		SM4041201SC		SCREW M4 L=12				*		3	
25		SM4051405SE		SCREW M5 L=14				*		2	
26		SM4042501SC		SCREW M4X0.7 L=25				*		1	
27		SM4051001SE		SCREW M5 L=10				*		2	
28		SK3412001SE		WOOD SCREW D=4.1 L=20				*		2	
29		NM6050001SE		NUT M5				*		12	
30	R	NM6040002SC	NM6040002SE	NUT M4				*		4	1.00
31		WP0531001SC		WASHER M5				*		4	
32		WP1612616SE		WASHER 16X30X2.6				*		2	
33		WS0510002KN		SPRING WASHER M5				*		4	

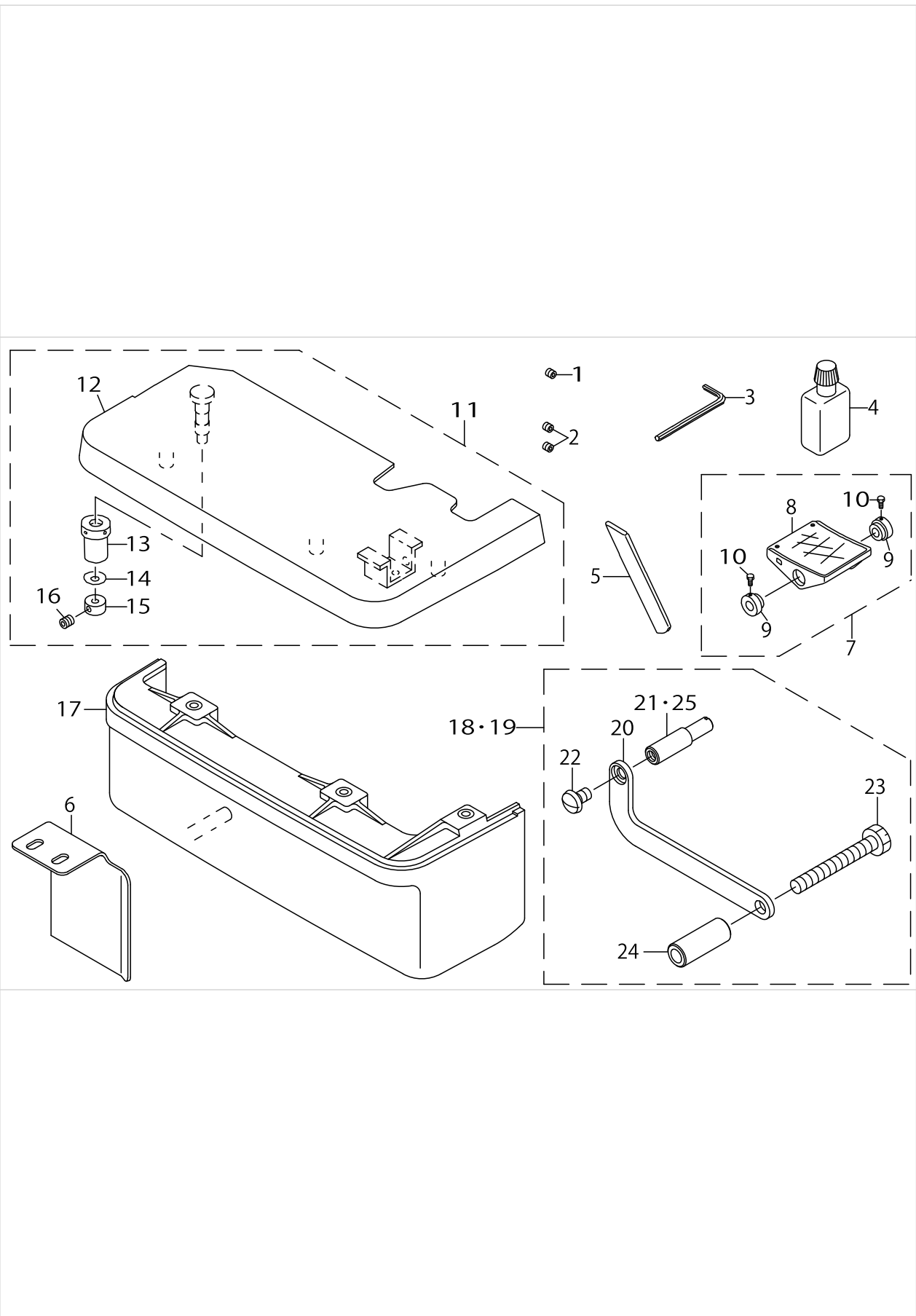
THREAD STAND COMPONENTS (FOR MO-6916J)



THREAD STAND COMPONENTS (FOR MO-6916J)

No.	Supply Code	Parts No.	Replacement	Parts name	Remarks	Choice	Step	Level	Cons	Qty	Rep. QTY
1		40106604		THREAD STAND ASM.						1	
2		40106575		SPOOL REST LONG ARM UPPER				*		2	
3		40085794		THREAD GUIDE				*		5	
4		40085795		THREAD GUIDE BUSHING				*		5	
5		40085787		SPOOL REST ARM UPPER				*		1	
6		40085793		SPOOL REST ROD RUBBER CAP				*		1	
7		40085785		SPOOL REST ROD UPPER				*		1	
8		40085792		SPOOL REST ROD JOINT				*		1	
9		40106581		THREAD GUIDE 5				*		1	
10		40106580		THREAD GUIDE UNDER BASE				*		1	
11		40106576		THREAD GUIDE ARM				*		1	
12		40106579		THREAD GUIDE ARM BASE				*		1	
13		40085784		SPOOL REST ROD LOWER				*		1	
14		40085791		SPOOL RETAINER				*		5	
15		40085790		SPOOL PIN				*		5	
16		40085789		SPOOL REST CUSHION				*		5	
17		40085788		SPOOL REST				*		5	
18		40085786		SPOOL REST ARM LOWER				*		1	
19		40106574		SPOOL REST LONG ARM LOWER				*		2	
20	R	40096327	SM4053001SE	SPOOL REST ARM UPPER SCREW				*		3	1.00
21		40096326		SPOOL REST ARM LOWER SCREW				*		3	
22		40085796		SPOOL REST ROD RUBBER CUSHION				*		2	
23		40096325		SPOOL REST ROD NUT				*		1	
24		40106577		SPOOL REST ARM LOWER A				*		1	
25		40106578		SPOOL REST ARM LOWER B				*		1	
26		SM4041201SC		SCREW M4 L=12				*		3	
27		SM4042501SC		SCREW M4X0.7 L=25				*		1	
28		SM4051001SE		SCREW M5 L=10				*		2	
29		SM4051405SE		SCREW M5 L=14				*		2	
30		SK3412001SE		WOOD SCREW D=4.1 L=20				*		2	
31		NM6050001SE		NUT M5				*		15	
32	R	NM6040002SC	NM6040002SE	NUT M4				*		4	1.00
33		WP0531001SC		WASHER M5				*		5	
34		WP1612616SE		WASHER 16X30X2.6				*		2	
35		WS0510002KN		SPRING WASHER M5				*		5	

SPECIAL ORDER PARTS COMPONENTS

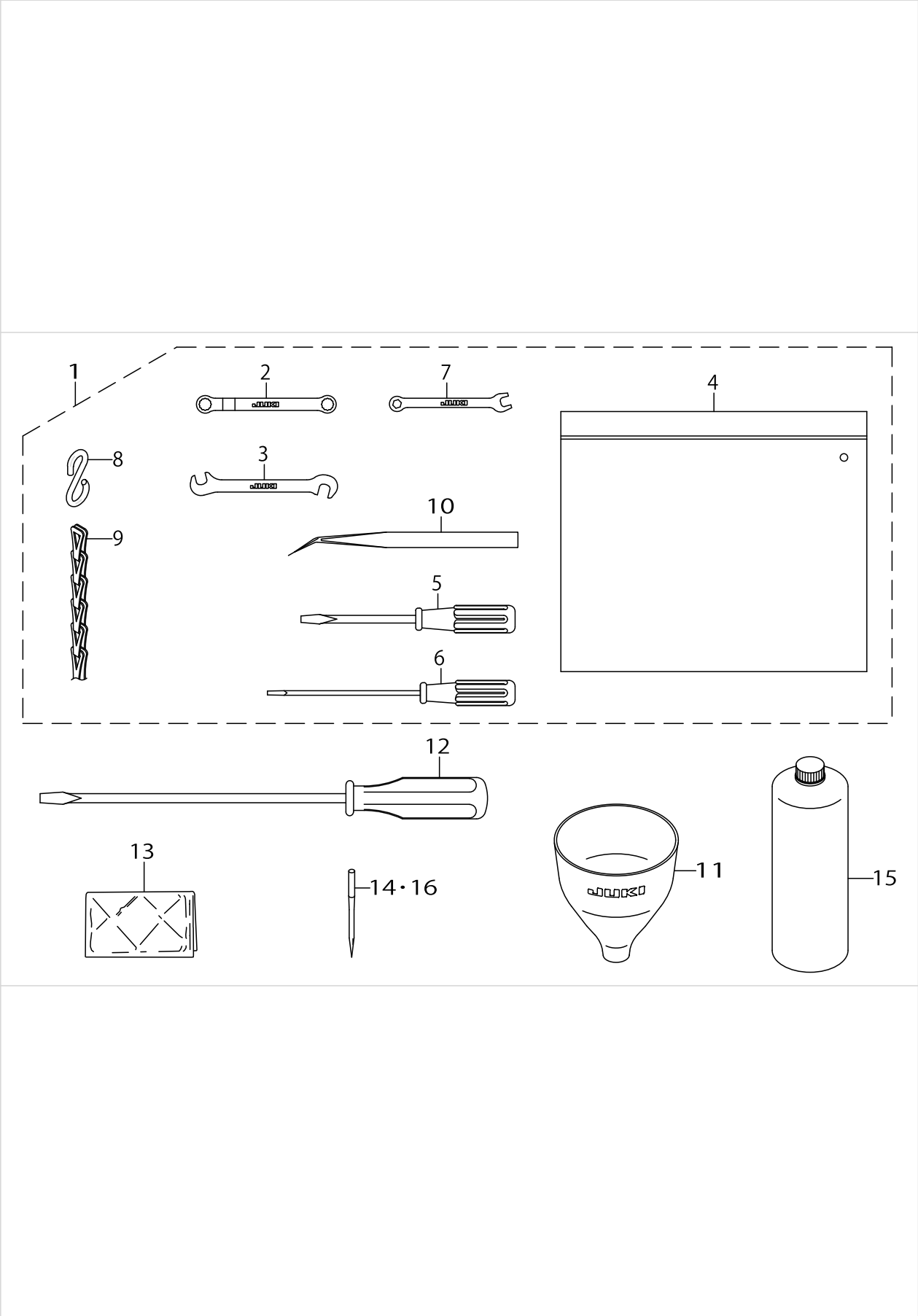


SPECIAL ORDER PARTS COMPONENTS

No.	Supply Code	Parts No.	Replacement	Parts name	Remarks	Choice	Step	Level	Cons	Qty	Rep. QTY
1		SS8080322TP		SCREW 1/8-44 L=3.2	FOR MO-6904J					1	
2		SS8080322TP		SCREW 1/8-44 L=3.2	FOR MO-6-914J,MO-6916J					2	
3		B9112804000		SPANNER						1	
4		B91351230B0		SILICON OIL LUBRICANT ASM. (30CC)						1	
5		12005302		SINTERED LOWER KNIFE						1	
6		40036778		V_BELT SLIDER						1	
7		11965753		PEDAL ASM.						1	
8		11965704		PEDAL				*		1	
9		11965803		PEDAL THRUST COLLAR				*		2	
10		SM9061203SE		SCREW M6 L=12				*		2	
11		12105458		CLOTH PLATE ASM.	FOR MO-6916J					1	
12	R	12104550	12105458	CLOTH PLATE ASM.				*		1	1.00
13		11501301		ECCENTRIC BUSHING				*		1	
14		WZ0420350KP		DISC SPRING				*		1	
15	R	CS0400671SD	13172903	THRUST HOLDER				*		1	1.00
16		SM8040302TP		SETSCREW				*		1	
17	D	11949104		CLOTH BASE COVER	FOR MO-6916J					1	
18		40025294		SYNCHRONIZER STOPPER ASM.						1	
19		40011755		SYNCHRONIZER TURN STOPPER ASM.	FOR SC-380					1	
20		40011757		SYNCHRONIZER STOPPER BASE				*		1	
21		40022255		SYNCHRONIZER STOPPER				*		1	
22		SS5120810SP		SCREW				*		1	
23		SS9154540SP		SCREW 15/64-28L=45				*		1	
24		40011758		SYNCHRONIZER BASE COLLAR				*		1	
25		40011756		SYNCHRONIZER STOPPER	FOR SC-380			*		1	



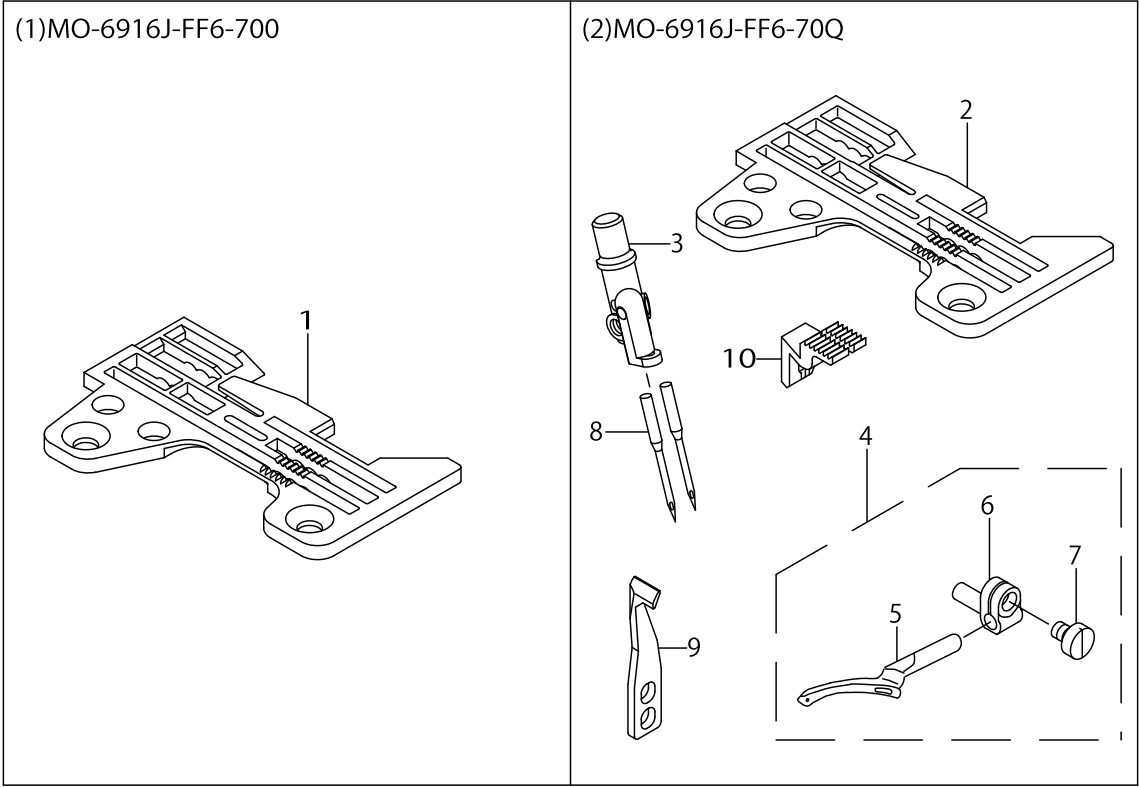
ACCESSORIES PARTS COMPONENTS



ACCESSORIES PARTS COMPONENTS

No.	Supply Code	Parts No.	Replacement	Parts name	Remarks	Choice	Step	Level	Cons	Qty	Rep. QTY
1		13160858		ACCESSORIE BAG ASM.						1	
2		13160007		RING SPANNER				*		1	
3		13160205		PIN SPANNER				*		1	
4		22932800		ACCESSORIE BAG				*		1	
5		22933105		SCREW DRIVER MIDDLE				*		1	
6		12347308		SCREW DRIVER (SMALL)				*		1	
7		13160106		SPANNER (5X6)				*		1	
8		13160304		S SHAPED HOOK				*		2	
9		13160403		CHAIN				*		1	
10		12288403		TWEEZERS				*		1	
11		13160601		FUNNEL						1	
12		22933006		SCREW DRIVER LARGE						1	
13		40048535		HEAD_COVER						1	
14		MDO500S2104		NEEDLE DOX5 S #21S-4	FOR MO-6-904J,MO-6916J					1	
15		MML018900CA		JUKI MACHINE OIL 18						1	
16		MDO500S1804		NEEDLE DOX5 S #18S-4	FOR MO-6914J					1	

SUBCLASSES



SUBCLASSES

No.	Supply Code	Parts No.	Replacement	Parts name	Remarks	Choice	Step	Level	Cons	Qty	Rep. QTY
1		R4612J6FL00		THROAT PLATE						1	
2		R4612J6FG0A		THROAT PLATE						1	
3		40012200		CHAIN LOOPER NEEDLE CLAMP						1	
4		11993656		UPPER LOOPER ASM.						1	
5		11993607		UPPER LOOPER				*		1	
6		11544707		UPPER LOOPER SUPPORT ARM				*		1	
7		SS6080410SP		SCREW 1/8-44 L=4				*		1	
8		MDC270B1600		NEEDLE DCX27 #16						2	
9		40014687		NEEDLE HOLDER						1	
10		40014688		AUXILIARY FEEDDOG						1	

LIST FOR INFORMATION OF CHANGE

As to the place changed, refer to the corresponding Rev.No.  
 When previous parts(Obsoleted part)and new parts(Added parts)are  
 not interchangeable with each other:  
 In this case,even obsoleted parts(D.)can be ordered with the  
 obsoleted part number,so select the parts with changed dates and  
 place your orders.

変更箇所は、該当Rev.No.版をご参照ください。  
 部品の互換性がない変更の場合は、削除された品番でも、ご注文できます。

29362902  
 No.1373-05 Rev.No.

\*A:Added parts追加部品/D:Obsoleted parts削除部品/E:Erratum訂正

* Rev. No.	Page 頁	Ref. No.	Parts No. 品番	* Rev. No.	Page 頁	Ref. No.	Parts No. 品番
D 04	2	41	132-01504	A 05	2	41	401-02307
				A 05	2	54	401-50131
D 04	4	17	CM-3002000-A1	A 05	4	17	CM-3002000-01
D 04	4	36	CM-3002001-B1	A 05	4	36	CM-3013000-01
D 04	8	27	123-04507	A 05	8	27	312-03300
D 04	10	23	122-82703	A 05	10	23	131-19409
D 04	10	24	122-82802	A 05	10	24	131-19508
D 04	12	10	121-18204	A 05	12	10	700-04244
D 04	14	21	123-08409	A 05	14	21	400-78183
D 04	16	5	123-08409	A 05	16	5	400-78183
D 04	16	18	123-11502	A 05	16	18	312-10503
D 04	18	19	131-32550	A 05	18	19	400-59766
D 04	18	20	131-32501	A 05	18	20	400-59765
D 04	18	47	131-72853	A 05	18	47	CS-1031210-SH
D 04	18	48	131-72804	A 05	18	48	CS-1031219-SH
D 04	18	57	131-72853	A 05	18	57	CS-1031210-SH
D 04	18	58	131-72804	A 05	18	58	CS-1031219-SH
D 04	20	1	121-13205	A 05	20	1	131-15001
D 04	20	30	SS-8110520-TP	A 05	20	30	SM-8050412-TP
				A 05	20	47	700-04672
				A 05	20	48	SS-8080310-TP
D 04	24	34	122-83909	A 05	24	34	131-28509
D 04	24	35	122-84006	A 05	24	35	131-28608
D 04	24	37	131-28905	A 05	24	37	131-29259
D 04	24	39	B2202-816-000	A 05	24	39	131-30000
D 04	24	41	131-29200				
D 04	27	4	123-18101	A 05	27	4	312-16005
D 04	28	5	SM-4040855-SP	A 05	28	5	SM-4041055-SP
D 04	31	18	SK-2351600-SC	A 05	31	18	SK-2351601-SE
D 04	31	24	SK-2351600-SC	A 05	31	24	SK-2351601-SE
D 04	32	4	SK-2351600-SC	A 05	32	4	SK-2351601-SE
D 04	36	1	131-67754	A 05	36	1	401-06593
D 04	38	1	131-67853	A 05	38	1	401-06604
D 04	40	16	131-42500				

## HOW TO MAKE USE OF THIS PARTS LIST

### 1.Explanation of codes

1)"\*"mark.....means this part is changed from the previous parts book.

As to the details of the change, refer to the "List for information of change".

2)"#01".....refer to "Note" explanation at bottom of page.

### 2.Codes on the "Qty" column

• Each numeral indicates the number of parts required.

• "0.1" and "2.5" indicate the length (in meters) of the respective parts.

3.Parentheses mean that the corresponding part is a subpart that constructs an assembly part.

4.Dotted lines on the Figures indicate assembly parts.

### 1."注記"欄の記号説明

1) "\*"印.....前回のパーツブックに比較して今回変更された部品を意味します。

変更内容は、"変更情報リスト"を参照してください。

2) "#01".....ページ下の"注記"の説明を参照してください。

2.数量欄の数字は、個数を表し、0.1、2.5等の数値は、長さ（単位メートル）を表します。

3.数量欄の（ ）は、組部品を構成している子部品であることを意味します。

4.イラストページの-----枠は、組構成であることを意味します。

# NUMERICAL INDEX OF PARTS

PART NO	PAGE	REF NO.	PART NO	PAGE	REF NO.	PART NO	PAGE	REF NO.
10753309	6	39	11890001	32	5	12108403	10	25
11151065	64	26	11898400	28	28	12113817	38	4
11151909	64	31	11913407	24	29	12116604	18	18~22
11155108	60	19	11914405	24	30	12116604	30	29·51~ 54
11155108	62	32	11918109	56	6	12116703	18	18~22
11155207	60	20	11925104	42	16	12116703	28	29·51~ 54
11155207	62	33	11929403	42	23	12116802	18	18~22
11157567	64	2	11930609	42	18	12116802	30	29·51~ 54
11159001	64	18	11930906	42	15	12116901	18	18~22
11159365	64	14	11949104	70	17	12116901	30	29·51~ 54
11246501	64	38	11959400	60	21	12117008	18	18~22
11246600	64	37	11959558	62	15	12117008	30	29·51~ 54
11501301	70	13	11960655	64	1	12118303	20	9
11528403	22	69	11960754	64	13	12119210	18	6
11528502	22	71	11965704	70	8	12129318	56	17
11529005	28	24	11965753	70	7	12132106	10	43
11530110	18	33	11965803	70	9	12132619	48	15
11544707	74	6	11993607	74	5	12132700	48	20·26
11545100	32	45	11993656	74	4	12133211	50	34
11565504	52	27	12002606	10	4	12133708	48	36
11565603	52	20·26	12005302	70	5	12133708	50	36
11565702	52	19	12012506	42	19	12280103	10	9
11565900	52	8·17	12012555	42	12	12280301	14	5
11566502	50	45	12013306	22	65	12280707	14	2
11566809	24	28	12013405	22	68	12280756	14	1
11566809	52	12	12015301	50	39	12282604	18	16
11598000	52	7·30	12015400	50	40	12283008	18	25
11651809	22	70	12015509	50	38	12283602	44	31
11700507	22	67	12019006	52	7·30	12283701	44	32
11701604	22	64	12019105	52	10·11	12283800	44	33
11804606	48	9	12022901	42	11	12288403	72	10
11806304	48	12	12022950	42	4	12288700	38	33
11824075	18	32	12023206	42	30	12304309	14	22
11825304	22	51	12023255	42	20	12305504	26	64
11826005	28	25	12023305	42	28	12305611	42	1
11826104	28	26	12024303	42	24	12306007	24	14
11826203	28	27	12024402	42	25	12306106	38	10
11826401	22	52	12024501	42	31	12306353	38	12
11829314	36	6	12025706	10	10·42	12306551	38	13
11829751	36	9	12102950	48	31	12306601	38	15
11840303	56	8	12103107	48	29	12306700	38	16
11846607	48	14	12103602	48	19	12306809	38	22
11846805	48	28	12103701	48	18			
11848405	52	20·26	12104550	70	12			
11848603	48	5	12105458	70	11			

# NUMERICAL INDEX OF PARTS

PART NO	PAGE	REF NO.	PART NO	PAGE	REF NO.	PART NO	PAGE	REF NO.
12308102	28	2	12341806	60	16	13101506	2	25
12308201	28	3	12341806	62	25	13101605	2	26
12308300	24	26	12341905	60	5	13101704	2	28
12308300	28	4	12341954	60	4	13101803	2	32
12308508	28	6	12342309	36	1	13101902	2	36
12308706	28	9	12343406	10	23	13102058	2	35
12308755	28	8	12347308	72	6	13102207	4	45
12308805	28	10	12347555	46	38	13102405	2	3
12308904	28	13	12372405	14	40	13102504	6	20
12309605	24	6	12372603	10	28	13102553	6	19
12309704	24	7	12374104	36	13	13102603	6	23
12309902	24	9	12374203	36	18	13102702	50	46
12310009	24	10	12375051	10	30	13102900	6	38
12310504	24	15	12375150	10	34	13103650	2	34
12310801	24	19	12375259	10	38	13103700	4	51
12310850	24	18	12375705	32	35	13103809	2	13
12310900	24	20	12375952	32	24	13103908	6	24
12311007	24	22	12377552	48	10·11	13104104	2	1·11
12311106	24	23	12377586	48	10·11	13104302	2	44
12311205	28	15	12377602	48	22	13104500	6	10
12311809	28	20	12377701	48	24	13104807	6	29
12311908	28	21	12377800	48	20·26	13104906	10	20
12312005	28	22	12377909	48	27	13105507	2	2
12312104	28	23	12378006	48	32	13107701	10	10·42
12315008	56	1	12378105	50	35	13107800	10	6
12315800	56	27	12378204	48	23	13108105	10	24
12315909	56	3	12378303	48	7	13108303	10	27
12316006	56	10	12382503	22	66	13108402	10	8
12316105	56	11	12383501	32	9	13108600	10	18
12316402	26	68~70	12383600	32	7	13110002	14	15
12316501	26	68~70	12384202	32	4	13110606	14	4
12316600	26	68~70	12384400	36	12	13115001	38	1
12316709	26	71~73	12384509	50	41	13115407	38	8
12316808	26	71~73	12385258	4	52	13116207	38	23
12316907	26	71~73	12385357	4	53	13116306	38	20
12317004	56	9	12386603	14	31	13116603	38	24
12317103	26	74	12388807	26	60	13116702	42	2
12317202	26	75	12388906	26	61	13116900	38	21
12318002	52	2	12389003	26	62	13117007	38	19
12340303	32	31	13100805	2	16	13117106	38	34
12340402	32	33	13100904	2	15	13118054	18	1
12340501	32	12	13101001	2	21	13119300	18	14
12340600	32	25	13101209	2	18	13119409	18	23
12340709	32	27	13101308	2	30	13119508	18	24
12340808	34	50	13101407	2	19	13119706	18	39



# NUMERICAL INDEX OF PARTS

PART NO	PAGE	REF NO.	PART NO	PAGE	REF NO.	PART NO	PAGE	REF NO.
13119805	18	42	13130000	46	39	13155403	60	13
13120001	18	41	13131800	34	46	13155403	62	16
13120506	18	2	13132600	32	23	13155502	60	10
13120605	18	3	13137559	44	2	13155502	62	22
13120803	20	33	13137609	44	18	13155601	60	8
13120902	20	29	13137708	44	10~13	13155601	62	20
13121009	20	31	13137807	44	6~9	13155700	60	9
13121058	20	30	13137906	44	19	13155700	62	21
13121108	22	75	13138003	44	16	13155759	60	7
13121207	20	43	13138102	44	14	13155759	62	19
13121256	20	42	13138201	44	27	13155858	62	5
13121306	20	40	13138359	44	3	13155908	62	8
13121405	20	26	13138409	44	10~13	13156005	62	9
13121603	22	49	13138508	44	6~9	13156104	62	10
13121900	20	45	13138656	44	5	13156203	62	6
13122007	16	49~52	13138706	44	10~13	13156302	62	7
13122007	52	13~16	13138805	44	6~9	13156500	60	14
13122106	16	49~52	13138904	44	17	13160007	72	2
13122106	52	13~16	13139555	44	20	13160106	72	7
13122205	16	49~52	13139605	44	22	13160205	72	3
13122205	52	13~16	13139704	44	25	13160304	72	8
13122304	16	49~52	13139803	44	24	13160403	72	9
13122304	52	13~16	13139902	44	23	13160601	72	11
13122700	20	18	13140009	44	21	13160700	6	42
13122809	20	24	13140108	44	10~13	13160858	72	1
13123302	20	39	13140207	44	6~9	13160908	60	2
13123302	38	44	13140355	44	4	13160908	62	2
13126008	36	4	13142500	56	25	13161005	60	1
13126503	36	19~22	13142609	16	48	13161005	62	1
13126602	36	19~22	13142609	56	38	13161153	60	3
13126701	36	19~22	13142955	56	33	13161153	62	26
13126800	36	19~22	13143300	56	29	13162557	54	6
13126909	36	3	13143417	56	43	13162565	54	7
13127006	36	17	13143508	58	44	13162573	54	8
13127204	36	23~26	13143706	58	48	13162805	54	18
13127303	36	23~26	13144001	56	30	13162904	54	20
13127402	36	23~26	13144100	56	39	13163001	54	21
13127501	36	23~26	13144209	56	40	13163159	54	15
13128103	36	16	13150800	52	10·11	13163167	54	16
13128509	44	34	13151006	52	6	13163175	54	17
13128608	44	35	13151105	50	48	13163456	54	1
13128707	44	36	13155007	60	15	13163704	54	25
13129259	46	37	13155106	62	17	13163803	54	2
13129309	32	21	13155205	62	18	13163902	54	3
13129309	36	7	13155304	62	27	13170006	6	9

# NUMERICAL INDEX OF PARTS

PART NO	PAGE	REF NO.	PART NO	PAGE	REF NO.	PART NO	PAGE	REF NO.
13170105	6	21	13209309	14	9~11	13221601	34	60~62
13170204	6	11	13209408	14	12~14	13221700	34	63~65
13170204	20	34	13209507	14	12~14	13221809	34	63~65
13170303	10	14	13209606	14	12~14	13221908	34	63~65
13170402	38	37	13210109	14	17	13222401	32	29
13170501	22	48	13210158	14	16	13222609	32	2
13170600	32	16	13210208	14	38	13222708	32	3
13170808	56	34	13210307	14	39	13224001	34	52
13171004	6	22	13212709	38	35	13225008	44	1
13172507	18	11	13212808	38	41	13225107	46	51·52
13172556	18	10	13212915	38	43	13228655	56	23
13172705	16	55	13213012	20	38	13228804	58	55
13172754	16	54	13213012	38	42	13228903	58	59
13172903	2	38	13213301	38	39	13229000	58	61
13200209	6	1	13215108	20	2	13229109	58	57
13200308	6	2	13215157	20	1	13229307	58	53
13200407	6	5	13215207	20	3	13229406	58	58
13200605	6	6	13215306	20	4	13230008	58	47
13200704	2	7	13215405	20	5	13230107	58	45
13200803	2	8	13215504	20	6	13240007	4	48~50
13200902	22	77	13215603	20	7	13240106	4	48~50
13201009	6	12	13215702	20	11	13240205	4	48~50
13201108	6	28	13215900	20	13	13244009	16	47
13201207	6	33	13216007	20	14	13244108	18	30
13201306	6	32	13216106	20	19	13255005	16	62
13201405	6	16	13216205	20	21	13255104	16	63
13201454	6	15	13216304	20	23	13255203	16	64
13201603	2	42	13216601	18	28	13270400	6	43
13204003	6	35	13216700	18	29	13270509	6	44
13205406	10	19	13216809	18	26	13272505	14	43
13205505	10	2	13217104	20	17	13272554	14	42
13205554	10	1	13217351	22	47	13273701	38	2
13207600	14	19	13217401	22	57	13274204	38	11
13207709	14	18	13217500	22	58	13274253	38	9
13207808	14	20	13217708	20	36	13275003	58	52
13207907	14	7	13217807	18	5·31	13275102	58	51
13207956	14	6	13217906	18	5·31	13275151	58	50
13208004	16	68	13218003	22	54	13275201	58	54
13208103	16	69	13218052	22	50	13276209	24	12
13208608	16	46	13218102	22	56	13276308	24	11
13208707	14	30	13220009	36	15	13276407	24	16
13208806	14	28	13220108	36	34	13276506	24	17
13208905	14	29	13221304	32	8	13276704	24	13
13209101	14	9~11	13221403	34	60~62	13276803	26	81
13209200	14	9~11	13221502	34	60~62	13276902	58	67

# NUMERICAL INDEX OF PARTS

PART NO	PAGE	REF NO.	PART NO	PAGE	REF NO.	PART NO	PAGE	REF NO.
13277009	58	68	40011755	70	18·19	40085793	68	6
13277157	58	69	40011756	70	21·25	40085794	66	4
13277207	26	79	40011757	70	20	40085794	68	3
13277405	24	8	40011758	70	24	40085795	66	3
13277405	52	5	40012200	74	3	40085795	68	4
13343009	56	4	40014687	74	9	40085796	66	13
13765607	58	72	40014688	74	10	40085796	68	22
22901805	6	37	40014729	16	61	40096325	66	11
22921407	44	26	40014730	14	26	40096325	68	23
22924708	6	8	40016762	56	12	40096326	66	8
22932800	72	4	40016763	56	20	40096326	68	21
22933006	72	12	40017714	12	47	40096327	66	5
22933105	72	5	40017824	10	41	40096327	68	20
23630007	14	45	40018045	56	2	40102307	2	41
23630007	56	73	40022239	10	17	40106574	66	7
23630007	58	73	40022255	70	21·25	40106574	68	19
31018005	58	60	40025294	70	18·19	40106575	66	2
31200504	8	46	40026021	32	10	40106575	68	2
31200900	2	1·11	40034897	38	31	40106576	66	17
31202609	14	34	40035711	12	49	40106576	68	11
31202708	14	35	40036778	70	6	40106577	66	6
31202906	14	36	40037392	8	50	40106577	68	24
31203201	14	24	40040065	8	51	40106578	66	9
31203300	14	27	40048535	72	13	40106578	68	25
31204258	38	7	40059765	32	20	40106579	66	18
31204407	26	63	40059766	32	19	40106579	68	12
31207301	28	1	40078183	24	21	40106580	66	20
31207905	28	7	40078183	28	5	40106580	68	10
31208408	28	14	40085784	66	10	40106581	68	9
31208507	24	1	40085784	68	13	40106582	66	19
31208606	24	2	40085785	66	14	40106593	66	1
31208705	24	3	40085785	68	7	40106604	68	1
31208804	24	4	40085786	68	18	40150131	4	54
31208903	24	5	40085787	68	5	70004244	20	10
31210305	28	16	40085788	66	21	70004672	40	47
31210404	28	17	40085788	68	17	B1215804000	10	21·22
31210503	28	18	40085789	66	12	B1422804A00	32	37~41
31210750	28	19	40085789	68	16	B1422804B00	32	37~41
31211303	24	24	40085790	66	22	B1422804C00	32	37~41
31211402	24	25	40085790	68	15	B1422804D00	32	37~41
31216005	52	4	40085791	66	23	B1422804E00	32	37~41
40010804	34	55	40085791	68	14	B1606704000	18	13
40010805	36	5	40085792	66	16	B1612804A00	18	35~38
40011234	32	11	40085792	68	8	B1612804A00	26	31·76~
40011753	38	32	40085793	66	15			78

NUMERICAL INDEX OF PARTS

PART NO	PAGE	REF NO.	PART NO	PAGE	REF NO.	PART NO	PAGE	REF NO.
B1612804B00	18	35~38	CS1031219SH	34	58	R4300J6FL00	48	1
B1612804B00	26	31·76~ 78	CS1111019SH	24	36	R4306J6HJ00	48	2
B1612804C00	18	35~38	CS1111019SH	52	22	R4612J6FG0A	74	2
B1612804C00	24	31·76~ 78	CS111101HSH	24	35	R4612J6FL00	74	1
B1612804D00	18	35~38	CS111101HSH	52	21	R4612J6HL00	48	3
B1612804D00	26	31·76~ 78	D8113555B00	64	33	RE0300000K0	20	37
B1646704000A	28	30	D8204555D00	60	22	RE0300000K0	28	37
B2024771000	24	32	D8204555D00	62	34	RE0300000K0	38	18
B2024771000	52	1	EA9500B0100	14	21	RE0400000K0	24	40
B2105816000	36	11	GPF06060000	64	15	RE0400000K0	28	38
B2119816A00	36	27~31	GPF06070000	64	16	RE0500000K0	20	41
B2119816B00	36	27~31	GPF06080000	64	17	RE0900000K0	28	39
B2119816C00	36	27~31	MDC270B1600	74	8	RO068190100	28	40
B2119816D00	36	27~31	MDO500S1800	16	53	SB110000300	10	21·22
B2119816E00	36	27~31	MDO500S1804	72	14·16	SD0600341TP	46	42
B2120816000	36	10	MDO500S2100	14	66	SD0720271SP	22	59
B2402716000	46	40	MDO500S2100	16	66	SD0720803TH	36	33
B2530704000	34	56	MDO500S2104	72	14·16	SK2351601SE	60	24
B3525704000	26	52	MML018900CA	72	15	SK2351601SE	62	4
B3534352000	56	7	NM6040000SN	24	38	SK3311500SC	60	25
B411180400E	52	8·17	NM6040002SC	66	30	SK3311500SC	62	35
B71140120A0	64	25	NM6040002SC	68	32	SK3412001SE	6	40
B81517710A0	64	27	NM6050001SE	66	29	SK3412001SE	66	28
B8152771000	64	39	NM6050001SE	68	31	SK3412001SE	68	30
B8153771000	64	40	NM6060003SC	38	25	SK3513200SC	60	26
B9112804000	70	3	NM6080001SE	64	21	SK3513200SC	62	31
B91351230B0	70	4	NM6080011SF	24	39	SL9061291SE	64	24
BP30000010R	58	62	NM6080600SM	62	29	SL9082091SE	64	22
CM300200001	2	40	NM6080721SE	64	32	SM0030301SN	28	42
CM300200001	6	17	NS6090310SN	2	5	SM1040801SC	2	10
CM301300001	6	36	NS6090310SP	52	29	SM1040801SC	6	13
CM600100101	8	52	NS6090310SP	60	12	SM4030455SP	20	16
CQ200000000	14	44	NS6090310SP	62	24	SM4040655SP	2	31
CQ202000000	16	58	NS6110310SP	56	32	SM4040655SP	32	30
CQ202000000	26	80·82	NS6110420SP	4	46	SM4040855SP	2	43
CQ202000000	34	53	NS6110420SP	38	26	SM4040855SP	6	14
CQ202000000	58	70	NS6150430SP	26	65	SM4040855SP	10	26
CQ252000000	16	60	NS6240630SE	60	23	SM4040855SP	14	41
CQ252000000	26	80·82	NS6240630SE	62	40	SM4040855SP	20	35
CS0400671SD	70	15	NS6620320SP	18	40	SM4041055SP	2	17
CS1001011SH	24	33	NS6680410SP	6	27	SM4041055SP	22	60
CS1001011SH	28	33	PS0150082KH	28	12	SM4041055SP	54	5
CS1031210SH	34	57	PS0200052KH	44	28	SM4041201SC	66	24
			PS0200062KH	36	32	SM4041201SC	68	26
			PS0300062KH	32	18	SM4041455SN	18	27

NUMERICAL INDEX OF PARTS

PART NO	PAGE	REF NO.	PART NO	PAGE	REF NO.	PART NO	PAGE	REF NO.
SM4042501SC	66	26	SQ1110451MZ	56	36	SS6090630TP	32	15
SM4042501SC	68	27	SQ1150441SD	58	64	SS6090630TP	60	27
SM4050855SP	10	7	SQ1150451MZ	56	37	SS6090630TP	62	37
SM4050855SP	46	44	SQ1150454SD	56	26	SS6090670TP	14	37
SM4051001SE	66	27	SS1060610SP	20	20	SS6090670TP	42	26
SM4051001SE	68	28	SS2090520SL	2	4	SS6090810SP	56	14
SM4051055SP	8	45	SS2110710TP	24	44	SS6110420TP	24	45
SM4051055SP	48	8	SS2110910SL	48	4	SS6110520TP	24	46
SM4051255SP	6	7	SS3090610SP	2	6	SS6110610TP	8	47
SM4051255SP	20	25	SS3090610SP	32	51	SS6110610TP	48	17
SM4051405SE	66	25	SS3090610SP	34	51	SS6110710TP	26	47
SM4051405SE	68	29	SS4060310SP	52	25	SS6110710TP	36	38
SM4051601SC	56	35	SS4080620TP	22	72	SS6110710TP	38	5
SM4060801SE	58	71	SS4090415SP	46	48	SS6110820TP	26	48
SM6030510SC	28	43	SS4090515SP	20	27	SS6111440SP	4	47
SM6040600SP	20	22	SS4090515SP	30	47	SS6120620TP	58	66
SM6051202TP	18	34	SS4090615SP	32	13	SS6121020SP	26	67
SM6051202TP	22	55	SS4091015SP	2	14	SS6121020SP	38	40
SM6051202TP	36	14	SS4091015SP	54	22	SS6121020SP	58	46
SM6061200SP	32	17	SS4110515SP	14	33	SS6121220TP	18	4
SM6061200SP	38	27	SS4110515SP	46	49	SS6151440SP	50	47
SM6061202TP	10	37	SS4110615SP	44	30	SS6660710TP	30	49
SM6061210SC	28	45	SS4110615SP	56	19	SS6661110SP	20	46
SM6061402TP	14	8	SS4112215SP	56	13	SS7060310SP	20	12
SM6061402TP	18	7	SS4120615SP	2	12	SS7060310SP	58	49
SM6061610SC	28	46	SS4151215SP	6	18	SS7060510SP	42	3
SM6061802TP	56	21	SS5080212TP	10	3	SS7060510SP	50	43
SM8040302TP	2	39	SS5090610SP	60	11	SS7060610SP	34	54
SM8040302TP	70	16	SS5090610SP	62	23	SS7080520SP	42	21
SM8040402TP	38	38	SS5110710SP	6	31	SS7090410SP	26	49
SM8050402TP	36	36	SS5110710SP	60	17	SS7090510SP	50	42
SM8050412TP	38	30	SS5110710SP	62	38	SS7090530SP	2	20
SM8050412TP	56	5	SS5120810SP	70	22	SS7090610SP	2	22
SM8050502TP	56	42	SS5150510SP	46	50	SS7090610SP	50	44
SM8050602TP	36	35	SS6060440TP	32	1	SS7090610SP	54	19
SM9051203CP	24	41	SS6080320SP	18	15	SS7090611SL	6	34
SM9061203SE	64	34	SS6080340SP	22	78	SS7090710SP	48	25
SM9061203SE	70	10	SS6080410SP	22	53	SS7090850SP	32	26
SM9061250TP	24	43	SS6080410SP	32	28	SS7091410SP	2	33
SM9061250TP	28	44	SS6080410SP	74	7	SS7091810SP	52	28
SM9061250TP	52	3	SS6080720SP	14	23	SS7110510SP	2	27
SM9082023SE	64	28	SS6081210TP	12	48	SS7110510SP	38	14
SM9082513CF	62	28	SS6090420SP	62	11	SS7110710SL	44	29
SQ0000451MZ	58	63	SS6090620TP	20	8	SS7110710SP	2	29
SQ1110401MZ	56	15	SS6090620TP	32	44	SS7110720SP	48	13

NUMERICAL INDEX OF PARTS

PART NO	PAGE	REF NO.	PART NO	PAGE	REF NO.	PART NO	PAGE	REF NO.
SS7110720TP	36	39	SS9151210TP	36	8	WS0621210KR	64	35
SS7110740TP	26	50	SS9151210TP	38	6	WS0822010KP	6	26
SS7110840SP	10	46	SS9151220SR	26	66	WS0861410KR	64	29
SS7110840SP	12	46	SS9154540SP	70	23	WS1002560KR	60	29
SS7110840SP	32	36	SS9681610TP	10	12	WS1002560KR	62	36
SS7110840SP	38	28	ST60308210A	62	13	WZ0420350KP	2	37
SS7110840SP	50	37	TA0180401M0	26	54	WZ0420350KP	70	14
SS7110840SP	54	24	TA0340201R0	24	55	WZ0640312K0	46	43
SS7110910TP	8	48	TA0340201R0	26	55	WZ0850302K0	6	30
SS7110910TP	18	17	TA0400301M0	56	41	WZ2640310KH	10	15
SS7111410TP	10	40	TA0800501R0	26	56			
SS7111410TP	38	29	TA0800504R0	22	76			
SS7111810TP	10	44	TA0950806R0	54	4			
SS7111810TP	28	41	TA1030402R0	18	8			
SS7150740SP	38	45	TA1871602R0	6	41			
SS7151120SP	48	30	TA2050416R0	18	9			
SS7161040SP	38	3	WP0370316SD	62	14			
SS8080310TP	16	67	WP0371016SD	20	28			
SS8080310TP	40	48	WP0371016SD	28	35			
SS8080322TP	70	2	WP0371026SD	42	22			
SS8090530TP	16	59	WP0371026SD	54	23			
SS8110410TP	2	24	WP0371036SD	26	57			
SS8110410TP	18	12	WP0451026SH	26	58			
SS8110410TP	20	44	WP0460556SD	22	61			
SS8110410TP	46	41	WP0460556SD	28	36			
SS8110422TP	36	37	WP0460556SD	40	46			
SS8110520TP	56	28	WP0480856SP	22	62			
SS8151150TP	10	5	WP0531001SC	66	31			
SS8660330SP	20	32	WP0531001SC	68	33			
SS8660330SP	24	37	WP0621016SD	22	63			
SS8660330SP	52	23	WP0621016SD	30	48			
SS8660530TP	24	34	WP0621016SH	26	59			
SS8660530TP	28	34	WP0621036SP	48	16			
SS8660610TP	16	56	WP0651056SD	56	22			
SS8660610TP	34	59	WP0671016SE	64	36			
SS9090410TP	32	43	WP0751576SD	6	25			
SS9090610TP	30	50	WP0764016SP	10	13			
SS9090610TP	32	42	WP0850002SC	62	30			
SS9111010SP	22	73	WP0871602SE	64	30			
SS9111010SP	48	21	WP1002036SE	60	28			
SS9111050SP	22	74	WP1002036SE	62	39			
SS9111610SP	52	9-18	WP1612616SE	66	32			
SS9112420TP	52	9-18	WP1612616SE	68	34			
SS9151210TP	8	49	WS0510002KN	66	33			
SS9151210TP	32	22	WS0510002KN	68	35			