

MODEL : SC-910

List No : 1370-01

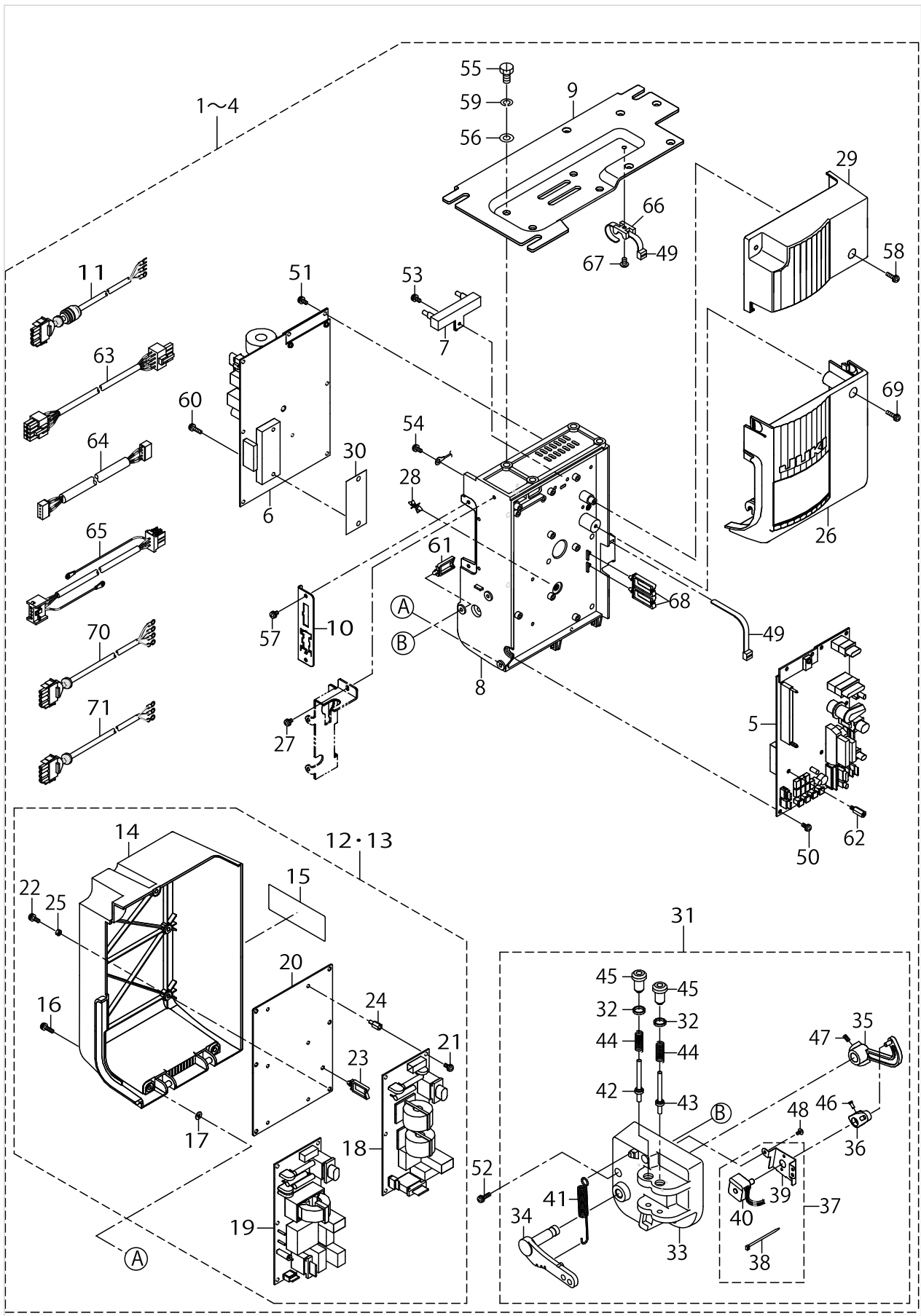
PARTS LIST

Published:05/12/2017

CONTENTS

PSC UNIT COMPONENTS	1
PSC UNIT COMPONENTS (TYPE LH).....	5
ACCESSORIE PART COMPONENTS	9
HOW TO MAKE USE OF THIS PARTS LIST	13

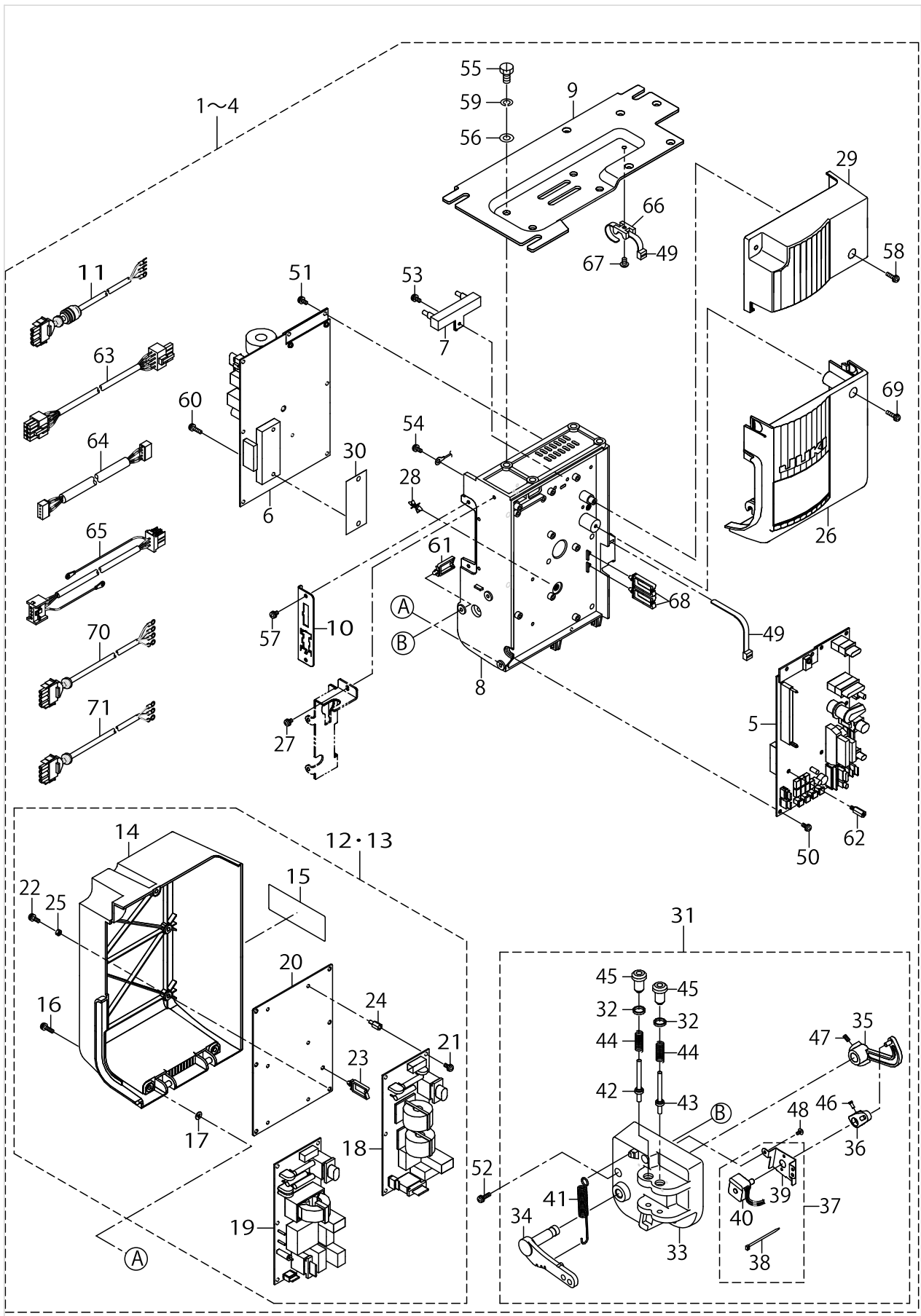
PSC UNIT COMPONENTS



PSC UNIT COMPONENTS

No.	Supply Code	Parts No.	Replacement	Parts name	Remarks	Choice	Step	Level	Cons	Qty	Rep. QTY
1	D	40006160		PSC UNIT VOLTAGE CHANGE PFL	FOR EXPO-RT 200~240V 3φ					1	
2		40006162		PSC UNIT 1-PHASE 200-240V	FOR EXPO-RT 200~240V 1φ					1	
3		40006164		PSC UNIT 1-PHASE 200-230V	FOR CE 220~240V 1φ					1	
4	D	40006160		PSC UNIT VOLTAGE CHANGE PFL	FOR EXPO-RT 100~120V 1φ					1	
5	D	40006038		CTL PCB A ASS'Y				*		1	
6	D	40006057		PWR PCB A ASS'Y				*		1	
7	D	40006134		RESISTANCE A ASS'Y				*		1	
8	D	40006096		FRAME				*		1	
9		40006095		BOX BRACKET				*		1	
10		40006105		HOUSING PLATE				*		1	
11		40006139		CABLE D ASS'Y	FOR CE			*		1	
12		40006123		REAR COVER A ASM.	FOR EXPO-RT 200~240V 3φ 10~120V 1φ			*		1	
13		40006124		REAR COVER B ASM.	FOR EXPO-RT 200~240V 1φ			*		1	
14	D	40006093		REAR COVER				*		1	
15		CM300100402		LABEL 3(SMALL)				*		1	
16		SL4041691SC		SCREW M4 L=16				*		2	
17		M8002430000		STOPPER				*		3	
18	D	40018664		FLT-S PCB B ASSY	FOR EXPO-RT 200~240V 1φ			*		1	
19	D	40018674		FLT-T PCB B ASSY	FOR EXPO-RT 200~240V 3φ 10~120V 1φ			*		1	
20		40006103		FILTER PCB BKT				*		1	
21		SL4041081SC		SCREW M4 L=10				*		6	
22		SL4041291SC		SCREW M4 L=12				*		6	
23		HX00222000B		CABLE CLAMP				*		1	
24		HX003390000		STUD				*		6	
25		NM6040001SC		NUT M4				*		6	
26	R	40006092	40006121	FRONT COVER				*		1	1.00
27		SL4040881SC		SCREW M4 L=8				*		3	
28		KX000000220		LOCKING CIRCUIT BOARD SUPPORT				*		1	
29	D	40006091		TOP COVER				*		1	
30		40017139		SARCON SHEET				*		1	
31		40006128		PEDAL SENSOR B ASM.				*		1	
32		40006202		ADJUST NUT				*		2	
33		40006104		PEDALSENSORBASE				*		1	
34		40006112		PEDAL LEVER				*		1	
35		40006204		PEDAL LINK				*		1	
36		40006205		VOLUME LINK				*		1	
37		40006135		SENSOR FITTING PLATE A ASM.				*		1	
38		EA9500B0100		CABLE BAND				*		1	
39		40006206		SENSOR INSTALLING PLATE				*		1	
40		40006136		SENSOR A ASM.				*		1	
41		40006207		FRONT SPRING				*		1	

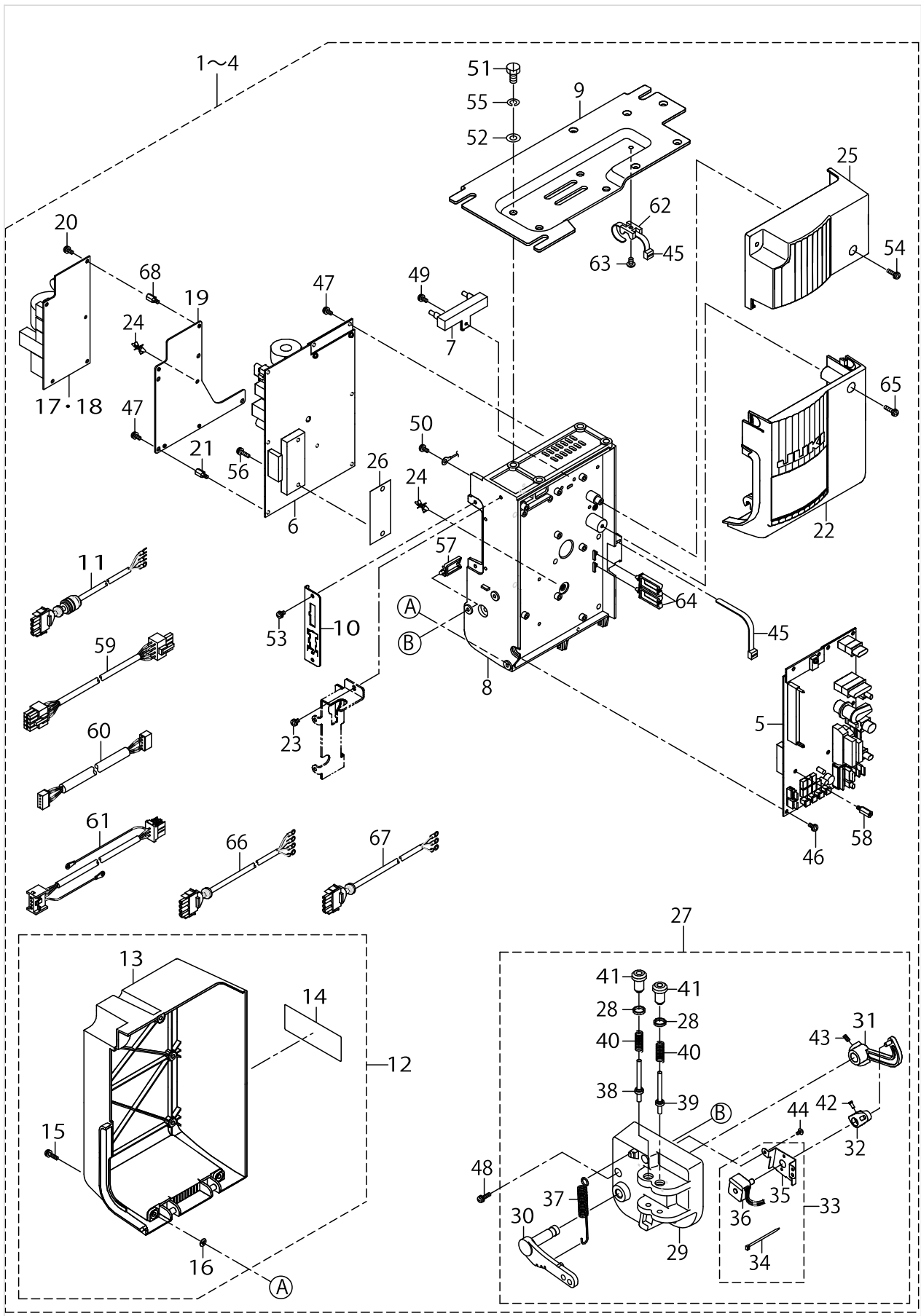
PSC UNIT COMPONENTS



PSC UNIT COMPONENTS

No.	Supply Code	Parts No.	Replacement	Parts name	Remarks	Choice	Step	Level	Cons	Qty	Rep. QTY
42		40006208		SPRING SHAFT A				*		1	
43		40006209		SPRING SHAFT B				*		1	
44		40006211		SPRING B				*		2	
45		40006212		ADJUST SCREW				*		1	
46		SM4030801SC		SCREW M3 X 8				*		1	
47		SM8040802TP		SCREW M4X8				*		2	
48		SV4030601SR		SCREW M3 L=6				*		2	
49		KX000000230		RELEASIBLE CABLE TIE				*		2	
50		SL4041081SC		SCREW M4 L=10				*		6	
51		SL4041081SC		SCREW M4 L=10				*		8	
52		SL4041681SC		SCREW M4 L=16				*		3	
53		SL4041081SC		SCREW M4 L=10				*		1	
54		SL4041091SC		SCREW M4 L=10				*		3	
55		SM9081653SC		SCREW M8 L=16				*		4	
56		WP0841601SC		WASHER 8.4X17.4X1.6				*		4	
57		SL4040881SC		SCREW M4 L=8				*		2	
58		SL4041691SC		SCREW M4 L=16				*		2	
59		WS0820002KN		SPRING WASHER M8				*		4	
60		SL4041681SC		SCREW M4 L=16				*		2	
61		KX000000190		LOCKING WIRE SADDLE				*		1	
62		E3724715000		VCS STUD A				*		3	
63		40006130		SOLENOID CORD A ASS'Y				*		1	
64		40006131		RELAY CORD A ASS'Y				*		1	
65		40006129		AC POWER SUPPLY CORD A				*		1	
66		KX000000210		SADDLE TYPE TIE MOUNT				*		1	
67	D	SM4050801SC		SCREW M5X0.8 L=8				*		1	
68		KX000000200		LOCKING WIRE SADDLE				*		2	
69		SL4041895SC		SCREW				*		1	
70		40012008		PSC UNIT CABLE A ASS'Y	FOR EXPO- RT 200~240V 3φ			*		1	
71		40012009		PSC UNIT CABLE B ASS'Y	FOR EXPO- RT 200~240V 1φ			*		1	

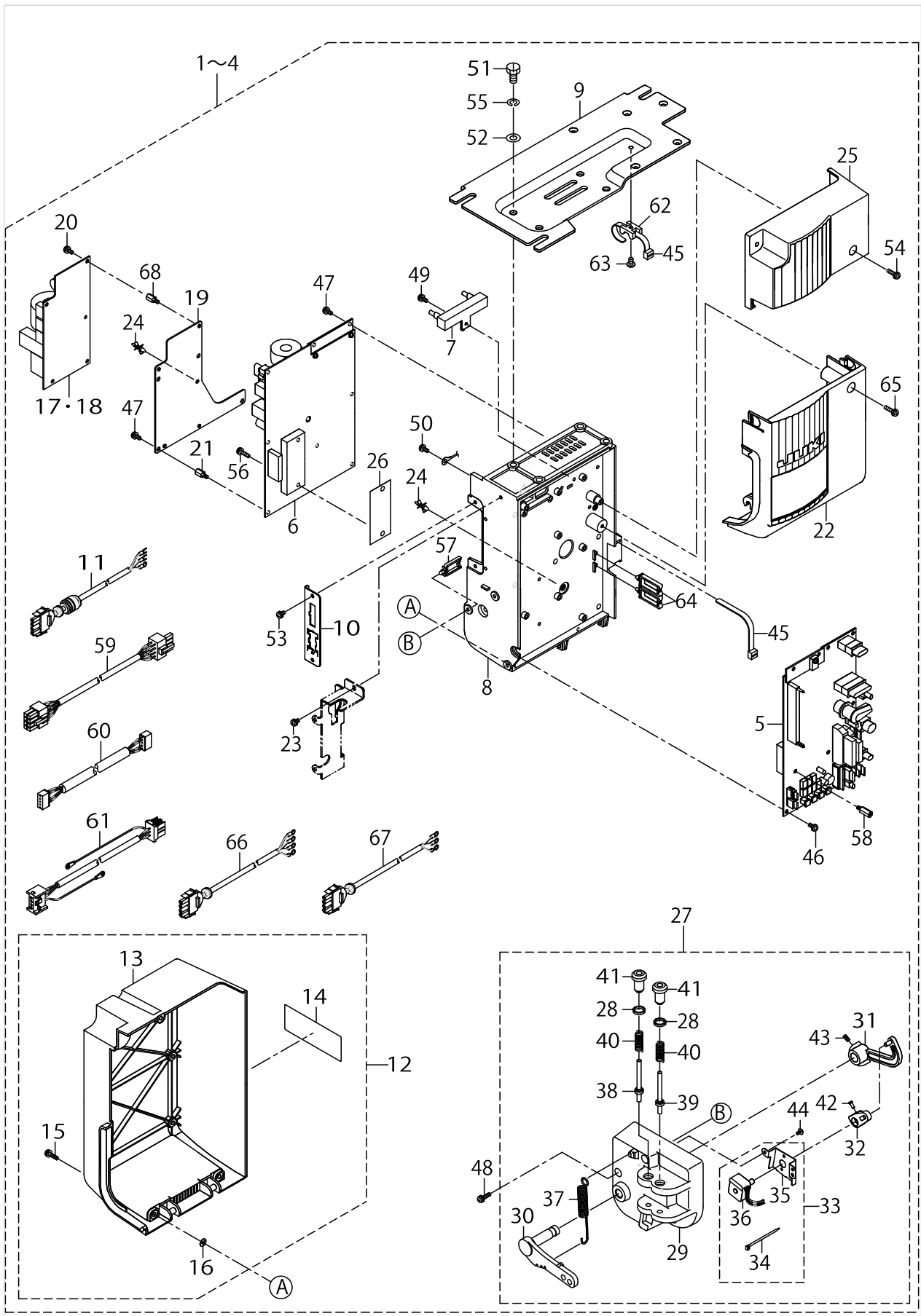
PSC UNIT COMPONENTS (TYPE LH)



PSC UNIT COMPONENTS (TYPE LH)

No.	Supply Code	Parts No.	Replacement	Parts name	Remarks	Choice	Step	Level	Cons	Qty	Rep. QTY
1	D	40034992		PSC UNIT VOLTAGE SELECT PFL(LH)	FOR EXPO-RT 200~240V 3φ					1	
2		40034993		PSC UNIT 1PHASE 200-240V(LH)	FOR EXPO-RT 200~240V 1φ					1	
3		40034994		PSC UNITE 1PHASE 200-240V CE P	FOR CE 220~240V 1φ					1	
4	D	40006160		PSC UNIT VOLTAGE CHANGE PFL	FOR EXPO-RT 100~120V 1φ					1	
5	R	40035000	40006038	CTL PCB B ASSY				*		1	1.00
6	D	40006057		PWR_PCB_A_ASSY				*		1	
7	D	40006134		RESISTANCE_A_ASSY				*		1	
8	D	40006096		FRAME				*		1	
9		40006095		BOX BRACKET				*		1	
10		40006105		HOUSING_PLATE				*		1	
11		40006139		CABLE_D_ASSY	FOR CE			*		1	
12		40043863		REAR COVER C ASSY				*		1	
13		40043864		REAR COVER B				*		1	
14		CM300100402		LABEL 3(SMALL)				*		1	
15		SL4041691SC		SCREW M4 L=16				*		2	
16		M8002430000		STOPPER				*		3	
17		40040166		FLT-S PCB A ASSY	FOR EXPO-RT 200~240V 1φ			*		1	
18	D	40040176		FLT-T PCB A ASSY	FOR EXPO-RT 200~240V 3φ 10~120V 1φ			*		1	
19		40043865		FLT PCB HOLDER BOARD				*		1	
20		SL4041081SC		SCREW M4 L=10				*		4	
21		40037480		STUD				*		4	
22	R	40006092	40006121	FRONT_COVER				*		1	1.00
23		SL4040881SC		SCREW M4 L=8				*		3	
24		KX000000220		LOCKING CIRCUIT BOARD SUPPORT				*		2	
25	D	40006091		TOP_COVER				*		1	
26		40017139		SARCON SHEET				*		1	
27		40006128		PEDAL SENSOR B ASM.				*		1	
28		40006202		ADJUST_NUT				*		2	
29		40006104		PEDAL_SENSOR_BASE				*		1	
30		40006112		PEDAL_LEVER				*		1	
31		40006204		PEDAL_LINK				*		1	
32		40006205		VOLUME_LINK				*		1	
33		40006135		SENSOR FITTING PLATE A ASM.				*		1	
34		EA9500B0100		CABLE BAND				*		1	
35		40006206		SENSOR_INSTALLING_PLATE				*		1	
36		40006136		SENSOR A ASM.				*		1	
37		40006207		FRONT_SPRING				*		1	
38		40006208		SPRING_SHAFT_A				*		1	
39		40006209		SPRING_SHAFT_B				*		1	
40		40006211		SPRING_B				*		1	
41		40006212		ADJUST_SCREW				*		1	
42		SM4030801SC		SCREW M3 X 8				*		1	

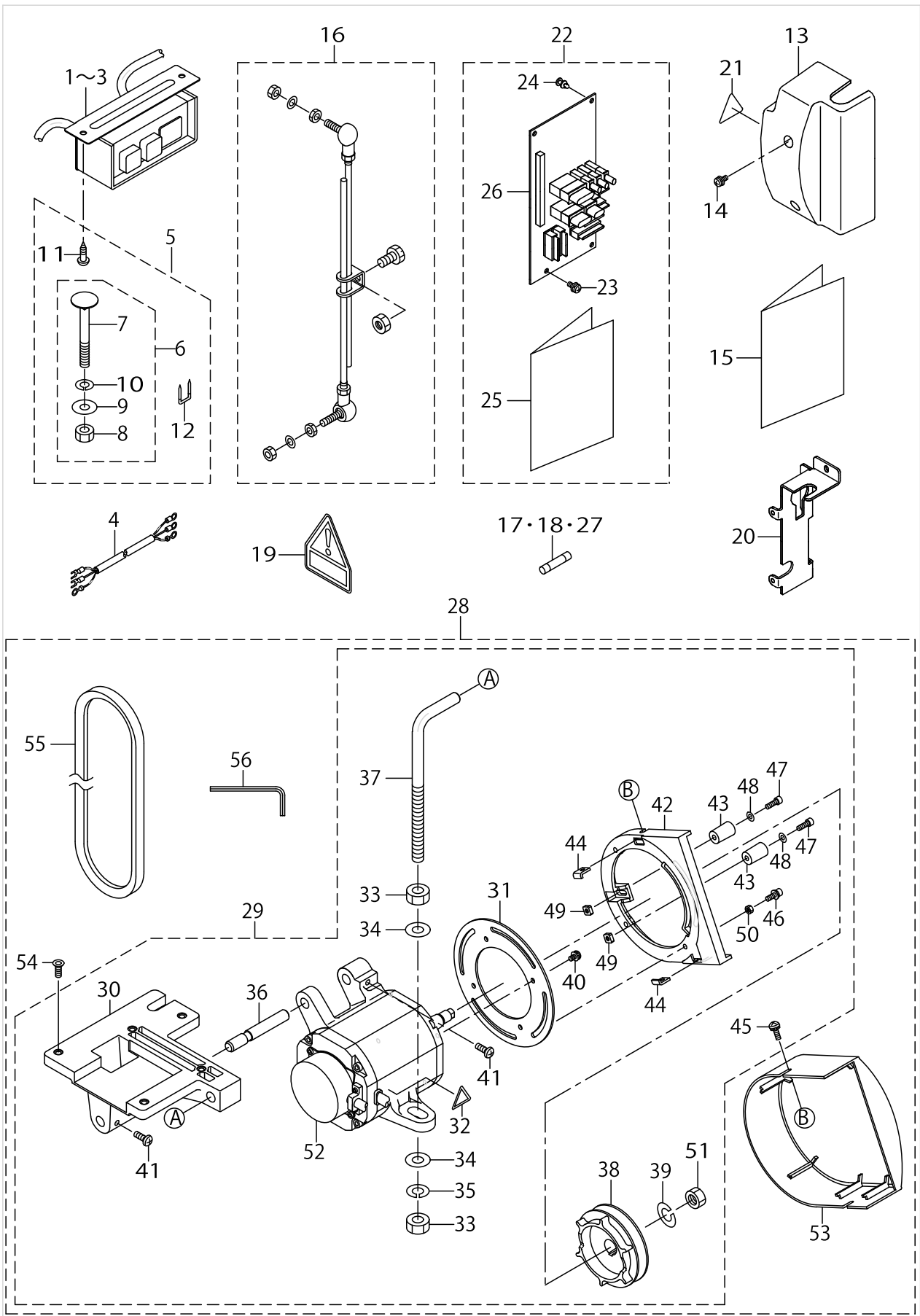
PSC UNIT COMPONENTS (TYPE LH)



PSC UNIT COMPONENTS (TYPE LH)

No.	Supply Code	Parts No.	Replacement	Parts name	Remarks	Choice	Step	Level	Cons	Qty	Rep. QTY
43		SM8040802TP		SCREW M4X8				*		2	
44		SV4030601SR		SCREW M3 L=6				*		2	
45		KX000000230		RELEASIBLE CABLE TIE				*		2	
46		SL4041081SC		SCREW M4 L=10				*		6	
47		SL4041081SC		SCREW M4 L=10				*		8	
48		SL4041681SC		SCREW M4 L=16				*		3	
49		SL4041081SC		SCREW M4 L=10				*		1	
50		SL4041091SC		SCREW M4 L=10				*		3	
51		SM9081653SC		SCREW M8 L=16				*		4	
52		WP0841601SC		WASHER 8.4X17.4X1.6				*		4	
53		SL4040881SC		SCREW M4 L=8				*		2	
54		SL4041691SC		SCREW M4 L=16				*		2	
55		WS0820002KN		SPRING WASHER M8				*		4	
56		SL4041681SC		SCREW M4 L=16				*		2	
57		KX000000190		LOCKING WIRE SADDLE				*		1	
58		E3724715000		VCS STUD A				*		3	
59		40006130		SOLENOID_CORD_A_ASSY				*		1	
60		40006131		RELAY_CORD_A_ASSY				*		1	
61		40006129		AC_POWER_SUPPLY_CORD_A				*		1	
62		KX000000210		SADDLE TYPE TIE MOUNT				*		1	
63	D	SM4050801SC		SCREW M5X0.8 L=8				*		1	
64		KX000000200		LOCKING WIRE SADDLE				*		2	
65		SL4041895SC		SCREW				*		1	
66		40012008		PSC_UNIT_CABLE_A_ASSY	FOR EXPO- RT 200~240V 3φ			*		1	
67		40012009		PSC_UNIT_CABLE_B_ASSY	FOR EXPO- RT 200~240V 1φ			*		1	
68		HX003390000		STUD				*		4	

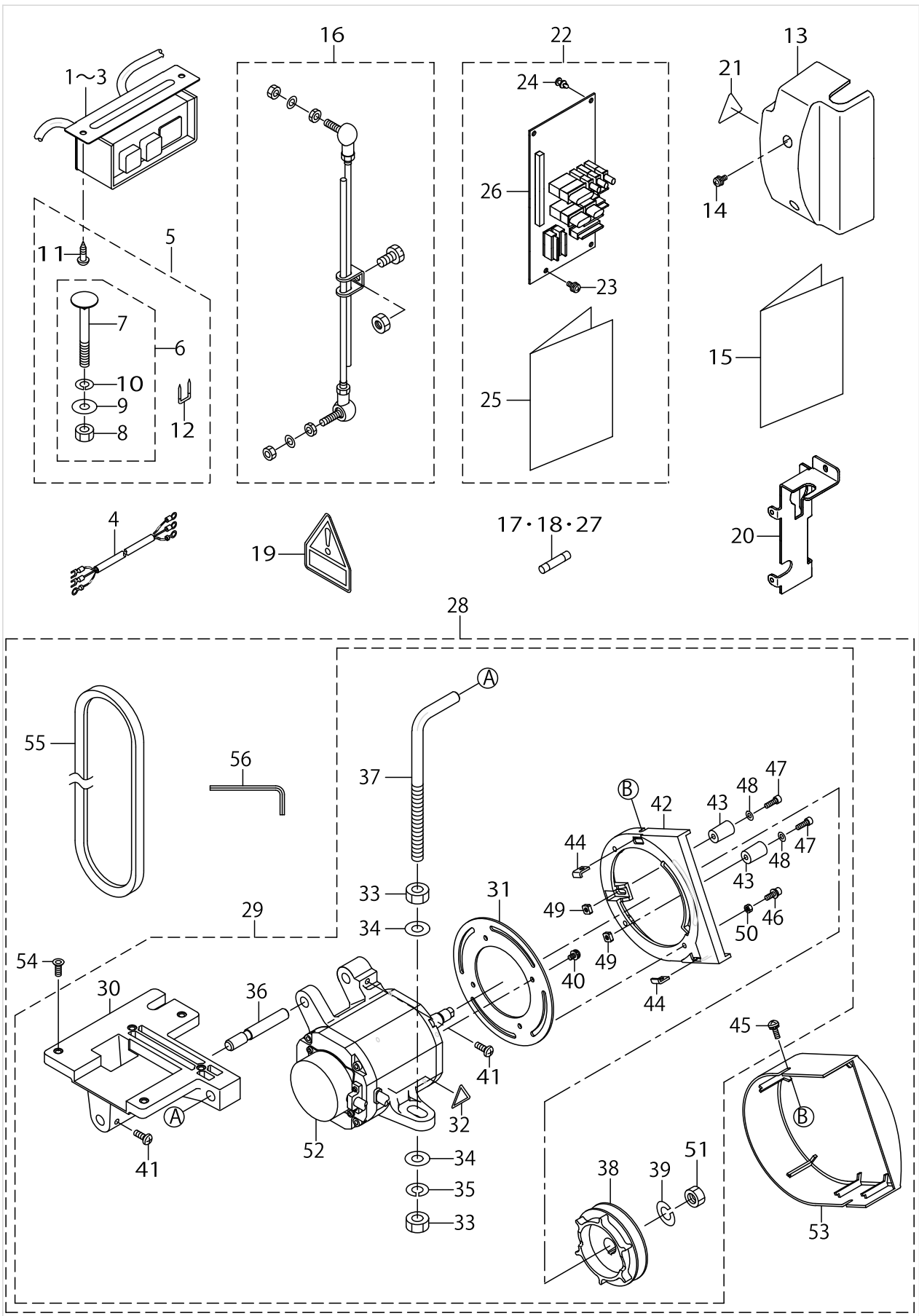
ACCESSORIE PART COMPONENTS



ACCESSORIE PART COMPONENTS

No.	Supply Code	Parts No.	Replacement	Parts name	Remarks	Choice	Step	Level	Cons	Qty	Rep. QTY
1	D	M6101471AA0		POWER SWITCH A ASM.	FOR 200~240V 3φ					1	
2		M6101471CA0		POWER SWITCH C ASM.	FOR 200~240V 1φ					1	
3	D	M6101471BA0		POWER SOURCE SWITCH B ASM.	FOR 100~120V 1φ					1	
4		M6102461DAA		AC INPUT CABLE ASM.(CE)	FOR CE 22-0~240V 1φ					1	
5	R	M4401471AA0	SK3512001SE	BOX ACCESSORIE PART A ASM.	FOR EXCEPT CE	A				1	2.00
5	R	M4401471AA0	WS0820002KR	BOX ACCESSORIE PART A ASM.	FOR EXCEPT CE	A				1	3.00
5	R	M4401471AA0	NM6080002SC	BOX ACCESSORIE PART A ASM.	FOR EXCEPT CE	A				1	3.00
5	R	M4401471AA0	MAO11532000	BOX ACCESSORIE PART A ASM.	FOR EXCEPT CE	A				1	5.00
5	R	M4401471AA0	MTSHJ100003	BOX ACCESSORIE PART A ASM.	FOR EXCEPT CE	A				1	3.00
5	R	M4401471AA0	WP0851846SC	BOX ACCESSORIE PART A ASM.	FOR EXCEPT CE	A				1	3.00
6		M4401471BA0		BOX ACCESSORIE PART B ASM.				*		1	
7		MTSHJ100003		BOLT				*		3	
8		NM6080002SC		NUT M8				*		3	
9		WP0851846SC		WASHER 8.5X22.0X1.8				*		3	
10		WS0820002KR		SPRING WASHER, M8				*		3	
11		SK3512001SE		WOOD SCREW D=5.1 L=20				*		2	
12	D	MA011532000		STAPLE				*		5	
13		40006106		POWER_COVER	FOR CE 22-0~240V 1φ					1	
14		SL4041081SC		SCREW M4 L=10	FOR CE 22-0~240V 1φ					2	
15		40006220		SC-910 INSTRUCTION MANUAL						1	
16		M4501471AA0		CONNECTING ROD A ASM.						1	
17		KF000000030		FUSE 6.3A						1	
18		HF0013020P0		FUSE 2A						1	
19		CM300400701		VOLTAGE CAUTION LABEL						1	
20		40006107		POWER_COVER_BASE	FOR CE 22-0~240V 1φ					1	
21		CM300100001		LABEL	FOR CE 22-0~240V 1φ					1	
22		40006080		IO UNIT A						1	
23		SL4041081SC		SCREW M4 L=10				*		3	
24		HX00453000A		MINI CARD SPACER				*		1	
25		40006081		INSTRUCTION MANUAL				*		1	
26		40006077		IO_PCB_A_ASSY				*		1	
27		KF000000080		FUSE 3.15A						1	
28	D	40006180		M91						1	
29		40006125		MOTOR_UNIT				*		1	
30		40006097		MOTOR_BASE				*		1	
31		40006102		PULLEY_COVER_BRACKET				*		1	
32		CM300300002		LABEL2 (25)				*		1	
33		NM6100011SF		NUT M10				*		2	
34	R	WP1052001SE	WP1052001SC	WASHER 10.5X21X2				*		2	1.00
35		WS1020002KR		SPRINGWASHER,M10				*		1	
36		M4201461000		MOTOR SUPPORT SHAFT				*		1	
37		M4202461000		MOTOR SUPPORT BOLT				*		1	
38		MTSP0070A00		MOTOR PULLEY				*		1	
39		WS1002560KR		SPRING WASHER 10X18X2.5				*		1	

ACCESSORIE PART COMPONENTS



ACCESSORIE PART COMPONENTS

No.	Supply Code	Parts No.	Replacement	Parts name	Remarks	Choice	Step	Level	Cons	Qty	Rep. QTY
40		SL4040841SE		SCREW M4 L=8				*		4	
41		SM4051401SE		SCREW M5 L=14				*		2	
42		40006100		PULLEY_COVER_A				*		1	
43		40006098		SAFTY_PIN				*		2	
44		40006111		COVER_PLATE				*		2	
45		SL4041291SC		SCREW M4 L=12				*		2	
46		SL6041292TN		SCREW				*		3	
47		SM6041202TP		SCREW M4X0.7 L=12				*		2	
48		WP0430800SC		WASHER M4				*		2	
49		E2292802000		RAIL NUT				*		2	
50		NM6040000SN		NUT M4				*		3	
51		NM6100011SF		NUT M10				*		1	
52	D	40018866		MOTOR F ASM.				*		1	
53	D	40006101		PULLEY_COVER_B				*		1	
54		SM1051452TN		PLATE SCREW				*		5	
55		MTJVM00380A		V-BELT				*		1	
56		J106600000D		HEXAGONAL WRENCH KEY				*		1	

HOW TO MAKE USE OF THIS PARTS LIST

1.As to "#01" and "#02" refer to the "Note" given at the bottom of the respective pages.

2.Codes on the "Qty" column

- Each numeral indicates the number of parts required.
- "0.1" and "2.5" indicate the length (in meters) of the respective parts.

3.Parentheses mean that the corresponding part is a subpart that constructs an assembly part.

4.Dotted lines on the Figures indicate assembly parts.

1. リストページの# 0 1、# 0 2の印は、ページ下の"注記"の説明を参照下さい。
2. 数量欄の数字は、個数を表し、0. 1、2. 5等の数値は、長さ（単位メートル）を表します。
3. 数量欄の（ ）は、組部品を構成している子部品であることを意味します。
4. イラストページの-----枠は、組構成であることを意味します。

NUMERICAL INDEX OF PARTS

PART NO	PAGE	REF NO.	PART NO	PAGE	REF NO.	PART NO	PAGE	REF NO.
40006038	2	5	40006136	2	40	40043864	6	13
40006057	2	6	40006136	6	36	40043865	6	19
40006057	6	6	40006139	2	11	CM300100001	10	21
40006077	10	26	40006139	6	11	CM300100402	2	15
40006080	10	22	40006160	2	1~4	CM300100402	6	14
40006081	10	25	40006160	6	1~4	CM300300002	10	32
40006091	2	29	40006162	2	1~4	CM300400701	10	19
40006091	6	25	40006164	2	1~4	E2292802000	12	49
40006092	2	26	40006180	10	28	E3724715000	4	62
40006092	6	22	40006202	2	32	E3724715000	8	58
40006093	2	14	40006202	6	28	EA9500B0100	2	38
40006095	2	9	40006204	2	35	EA9500B0100	6	34
40006095	6	9	40006204	6	31	HF0013020P0	10	17·18·27
40006096	2	8	40006205	2	36	HX00222000B	2	23
40006096	6	8	40006205	6	32	HX003390000	2	24
40006097	10	30	40006206	2	39	HX003390000	8	68
40006098	12	43	40006206	6	35	HX00453000A	10	24
40006100	12	42	40006207	2	41	J106600000D	12	56
40006101	12	53	40006207	6	37	KF000000030	10	17·18·27
40006102	10	31	40006208	4	42	KF000000080	10	17·18·27
40006103	2	20	40006208	6	38	KX000000190	4	61
40006104	2	33	40006209	4	43	KX000000190	8	57
40006104	6	29	40006209	6	39	KX000000200	4	68
40006105	2	10	40006211	4	44	KX000000200	8	64
40006105	6	10	40006211	6	40	KX000000210	4	66
40006106	10	13	40006212	4	45	KX000000210	8	62
40006107	10	20	40006212	6	41	KX000000220	2	28
40006111	12	44	40006220	10	15	KX000000220	6	24
40006112	2	34	40012008	4	70	KX000000230	4	49
40006112	6	30	40012008	8	66	KX000000230	8	45
40006123	2	12·13	40012009	4	71	M4201461000	10	36
40006124	2	12·13	40012009	8	67	M4202461000	10	37
40006125	10	29	40017139	2	30	M4401471AA0	10	5
40006128	2	31	40017139	6	26	M4401471BA0	10	6
40006128	6	27	40018664	2	18	M4501471AA0	10	16
40006129	4	65	40018674	2	19	M6101471AA0	10	1~3
40006129	8	61	40018866	12	52	M6101471BA0	10	1~3
40006130	4	63	40034992	6	1~4	M6101471CA0	10	1~3
40006130	8	59	40034993	6	1~4	M6102461DAA	10	4
40006131	4	64	40034994	6	1~4	M8002430000	2	17
40006131	8	60	40035000	6	5	M8002430000	6	16
40006134	2	7	40037480	6	21	MA011532000	10	12
40006134	6	7	40040166	6	17·18	MTJVM00380A	12	55
40006135	2	37	40040176	6	17·18	MTSHJ100003	10	7
40006135	6	33	40043863	6	12	MTSP0070A00	10	38

NUMERICAL INDEX OF PARTS

PART NO	PAGE	REF NO.	PART NO	PAGE	REF NO.
NM6040000SN	12	50	WP0851846SC	10	9
NM6040001SC	2	25	WP1052001SE	10	34
NM6080002SC	10	8	WS0820002KN	4	59
NM6100011SF	10	51	WS0820002KN	8	55
NM6100011SF	12	51	WS0820002KR	10	10
SK3512001SE	10	11	WS1002560KR	10	39
SL4040841SE	12	40	WS1020002KR	10	35
SL4040881SC	2	57			
SL4040881SC	4	57			
SL4040881SC	6	53			
SL4040881SC	8	53			
SL4041081SC	2	53			
SL4041081SC	4	53			
SL4041081SC	6	49			
SL4041081SC	8	49			
SL4041081SC	10	23			
SL4041091SC	4	54			
SL4041091SC	8	50			
SL4041291SC	2	22			
SL4041291SC	12	45			
SL4041681SC	4	60			
SL4041681SC	8	56			
SL4041691SC	2	58			
SL4041691SC	4	58			
SL4041691SC	6	54			
SL4041691SC	8	54			
SL4041895SC	4	69			
SL4041895SC	8	65			
SL6041292TN	12	46			
SM1051452TN	12	54			
SM4030801SC	4	46			
SM4030801SC	6	42			
SM4050801SC	4	67			
SM4050801SC	8	63			
SM4051401SE	12	41			
SM6041202TP	12	47			
SM8040802TP	4	47			
SM8040802TP	8	43			
SM9081653SC	4	55			
SM9081653SC	8	51			
SV4030601SR	4	48			
SV4030601SR	8	44			
WP0430800SC	12	48			
WP0841601SC	4	56			
WP0841601SC	8	52			