

MODEL : MO-6904G-0F6/MO-6914G-CH6/MO-6916G-FH6

List No : 1363-06

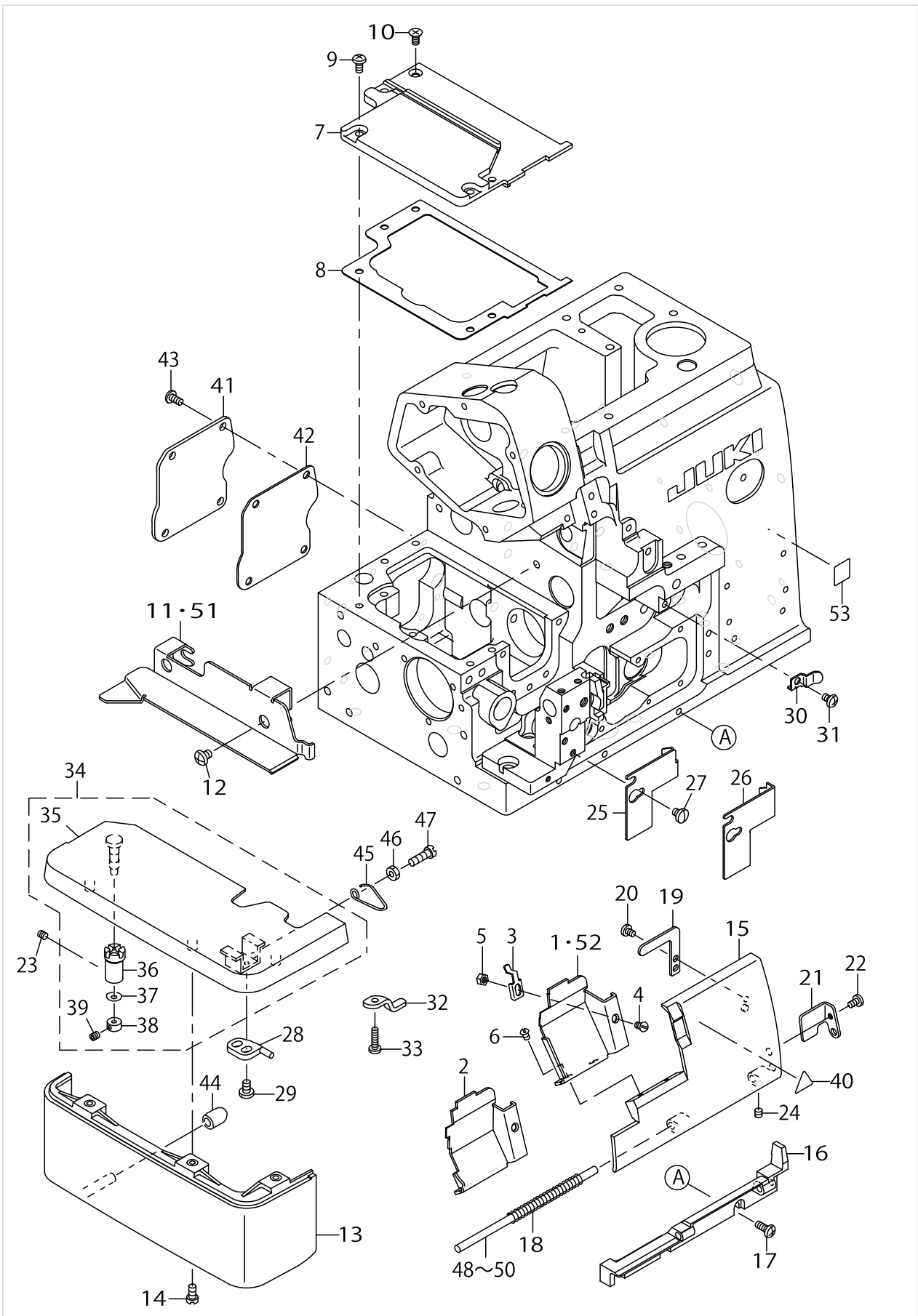
PARTS LIST

Published:05/12/2017

CONTENTS

MISCELLANEOUS COVER COMPONENTS (1).....	1
MISCELLANEOUS COVER COMPONENTS (2).....	5
CRANKSHAFT COMPONENTS	9
NEEDLE DRIVING SHAFT COMPONENTS.....	13
FEED MECHANISM COMPONENTS (1).....	17
FEED MECHANISM COMPONENTS (2).....	19
UPPER & LOWER LOOPER COMPONENTS.....	23
CHAIN LOOPER COMPONENTS (FOR MO-6916G).....	27
PRESSER FOOT COMPONENTS (1).....	29
PRESSER FOOT COMPONENTS (2).....	33
THREAD TENSION COMPONENTS	35
LOWER KNIFE COMPONENTS.....	39
UPPER KNIFE COMPONENTS	43
NEEDLE COOLING MECHANISM COMPONENTS.....	47
LUBRICATION MECHANISM COMPONENTS.....	49
SEMI-SUNKEN TYPE TABLE COMPONENTS.....	53
FULLY-SUNKEN TYPE TABLE COMPONENTS.....	55
STAND COMPONENTS (ZAET).....	57
THREAD STAND COMPONENTS (FOR MO-6904G,MO-6914G).....	59
THREAD STAND COMPONENTS (FOR MO-6916G)	61
SPECIAL ORDER PARTS COMPONENTS.....	63
ACCESSORIES PARTS COMPONENTS	65
LIST FOR INFORMATION OF CHANGE.....	67
HOW TO MAKE USE OF THIS PARTS LIST	68

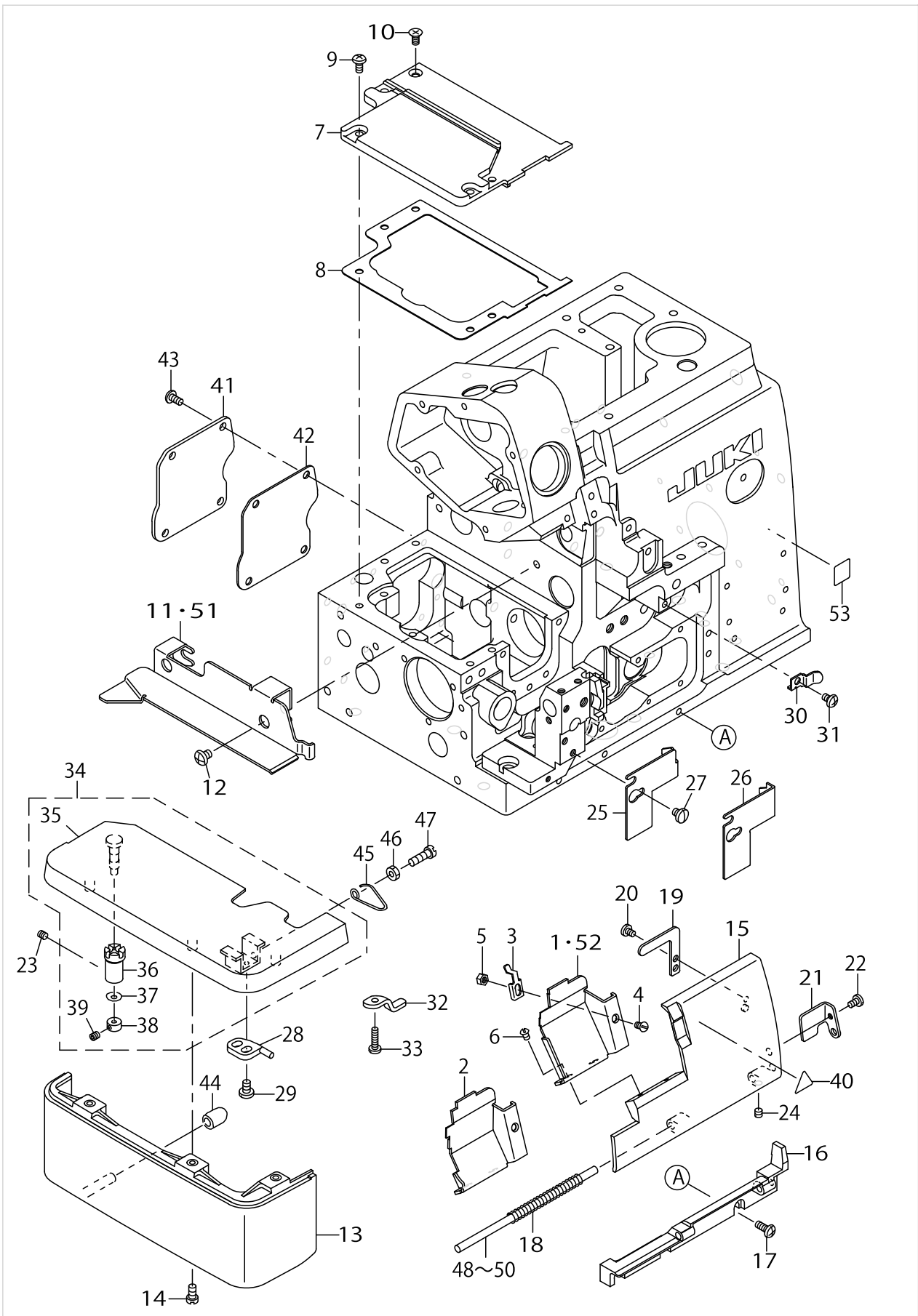
MISCELLANEOUS COVER COMPONENTS (1)



MISCELLANEOUS COVER COMPONENTS (1)

No.	Supply Code	Parts No.	Replacement	Parts name	Remarks	Choice	Step	Level	Cons	Qty	Rep. QTY
1		13104104		CLOTH WASTE COVER	FOR MO-6904G					1	
2		13105507		CLOTH WASTE COVER	FOR MO-6916G					1	
3		13102405		CROTH WASTE COVER STOPPER						1	
4		SS2090520SL		SCREW 9/64-40 L=5						1	
5		NS6090310SN		NUT 9/64-40						1	
6		SS3090610SP		SCREW 9/64-40 L=6						2	
7		13200704		FEED MECHANISM COVER						1	
8		13200803		FEED MECHANISM COVER GASKET						1	
9		SM4040855SP		SCREW						4	
10		SM1040801SC		SCREW M4X0.7 L=8						1	
11		12370201		CLOTH BASE SIDE COVER (OVER)	FOR MO-6-904G,MO-6914G					1	
12		SS4120615SP		SCREW 3/16-28 L=6						2	
13		13103809		CLOTH BASE COVER						1	
14		SS4091015SP		SCREW 9/64-40 L=10						2	
15		13100904		LOOPER COVER						1	
16		13100805		LOOPER COVER BRACKET						1	
17		SM4041055SP		SCREW M4 L=10						3	
18		13101209		LOOPER COVER SPRING						1	
19		13101407		LOOPER COVER PRESSER PLATE						1	
20		SS7090530SP		SCREW 9/64-40 L=4.5						1	
21		13101001		LOOPER COVER GUIDE PLATE						1	
22		SS7090610SP		SCREW 9/64-40 L=6						1	
23		SS8110410TP		SCREW 11/64-40 L=3.5						1	
24		SS8110410TP		SCREW 11/64-40 L=3.5						1	
25		13101506		CLOTH WASTE COVER LEFT	FOR MO-6-904G,MO-6914G					1	
26		13101605		CLOTH WASTE COVER LEFT	FOR MO-6916G					1	
27		SS7110510SP		SCREW 11/64-40 L=5						2	
28		13101704		CLOTH BASE SWITCH-TYPE STOPPER						1	
29		SS7110710SP		SCREW 11/64-40 L=7						2	
30		13101308		LOOPER COVER PRESSER SPRING						1	
31		SM4040655SP		SCREW M4 L=6						1	
32		13101803		CROTH BASE SUPPORT PLATE						1	
33		SS7091410SP		SCREW 9/64-40 L=13.5						1	
34		13103650		CLOTH BASE CMPL.						1	
35	R	13102058	13103650	CLOTH BASE ASM.				*		1	1.00
36		13101902		CLOTH BASE ECCE-NTRIC BUSHING				*		1	
37		WZ0420350KP		DISC SPRING				*		1	
38		13172903		CLOTH BASE HINGE SHAFT COLLAR				*		1	
39		SM8040302TP		SETSCREW				*		1	
40		CM300200001		ATTENTION SEAL						1	
41		40102307		ADJUSTING_HOLE_COVER						1	
42		13201603		ADJUSTING HOLE COVER GASKET						1	
43		SM4040855SP		SCREW						4	
44		13104302		CLOTH BASE COVER RUBBER PLUG						1	

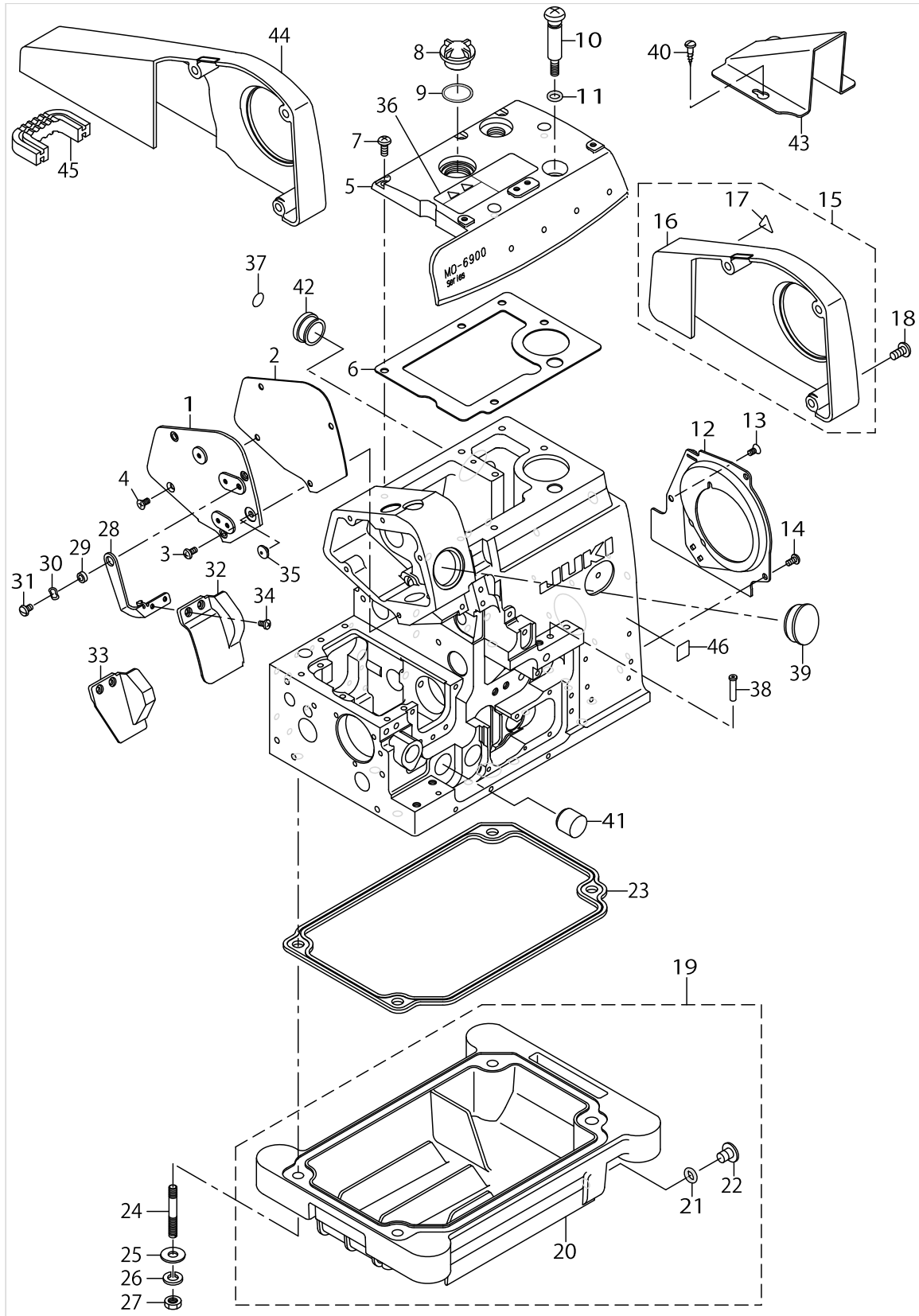
MISCELLANEOUS COVER COMPONENTS (1)



MISCELLANEOUS COVER COMPONENTS (1)

No.	Supply Code	Parts No.	Replacement	Parts name	Remarks	Choice	Step	Level	Cons	Qty	Rep. QTY
45		13102207		CLOTH BASE SWIT- CH-TYPE SPRING						1	
46		NS6110420SP		NUT 11/64-40						1	
47		SS6111440SP		SCREW 11/64-40 L=14.0						1	
48		13240007		LOOPER COVER HINGE SHAFT A	SELECTIVE PARTS					1	
49		13240106		LOOPER COVER HINGE SHAFT B	SELECTIVE PARTS					1	
50		13240205		LOOPER COVER HINGE SHAFT C	SELECTIVE PARTS					1	
51		12370300		CLOTH BASE SIDE COVER (INTER)	FOR MO-6916G					1	
52		31200900		CLOTH WASTE COVER	FOR MO-6914G					1	
53		40150131		EAC_MARK_LABEL_S	FOR JE					1	

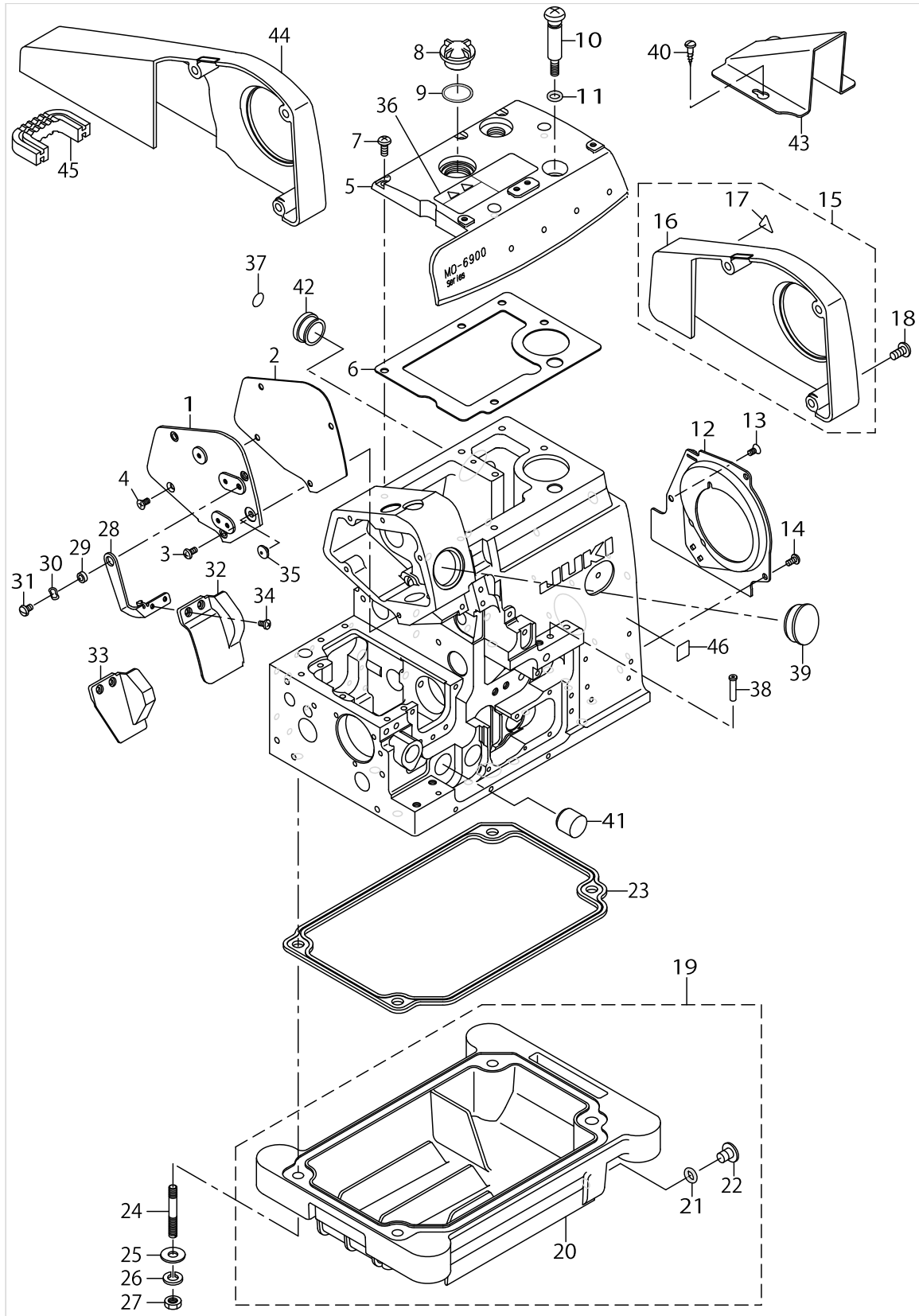
MISCELLANEOUS COVER COMPONENTS (2)



MISCELLANEOUS COVER COMPONENTS (2)

No.	Supply Code	Parts No.	Replacement	Parts name	Remarks	Choice	Step	Level	Cons	Qty	Rep. QTY
1		13200209		SIDE COVER						1	
2		13200308		SIDE COVER GASKET						1	
3		SM4040855SP		SCREW						3	
4		SM1040801SC		SCREW M4X0.7 L=8						1	
5		13200407		UPPER COVER						1	
6		13200605		UPPER COVER GASKET						1	
7		SM4051255SP		SCREW M5 L=12						5	
8		22924708		OIL SIGHT WINDOW						1	
9		13170006		RUBBER RING						1	
10		13104500		OIL DRAIN SCREW						1	
11		13170204		RUBBER RING						1	
12		13201009		COOLING FAN PLATE						1	
13		SM1040801SC		SCREW M4X0.7 L=8						1	
14		SM4040855SP		SCREW						2	
15		13201454		BELT COVER ASM.	VARIOUS NOS. FOR DESTINATIONS					1	
16	R	13201405	13201454	BELT COVER				*		1	1.00
17		CM300200001		ATTENTION SEAL				*		1	
18		SS4151215SP		SCREW 15/64-28L=12						3	
19		13102553		OIL RESERVOIR ASM.						1	
20	R	13102504	13102553	OIL RESERVOIR				*		1	1.00
21		13170105		RUBBER RING				*		1	
22	R	13171004	SM0081001SD	DRAIN SCREW				*		1	1.00
23		13102603		OIL RESERVOIR GASKET						1	
24		13103908		SCREW STUD						4	
25		WP0751576SD		WASHER 7.5X19X1.5						4	
26		WS0822010KP		SPRING WASHER 8.2X15X2						4	
27		NS6680410SP		NUT 9/32-28						4	
28		13201108		SAFETY PLATE BRACKET						1	
29		13104807		SAFETY PLATE BRACKET COLLAR						1	
30		WZ0850302K0		WAVED WASHER 8.5X12.5X0.3						1	
31		SS5110710SP		SCREW 11/64-40 L=7						1	
32		13201306		SAFETY PLATE	FOR MO-6916G					1	
33		13201207		SAFETY PLATE	FOR MO-6-904G,MO-6914G					1	
34		SS7090611SL		SCREW 9/64-40 L=6.1						2	
35		13204003		SAFETY PLATE BUSH						1	
36		CM301300001		SAFETY LABEL						1	
37		22901805		GROUND MARK						1	
38		13102900		THREAD GUIDE LARGE						2	
39		10753309		WINDOW PLATE RUBBER PLUG						1	
40		SK3412001SE		WOOD SCREW D=4.1 L=20	ACCESSORIES PARTS(FOR JE,JUS)					2	
41		TA1871602R0		RUBBER PLUG	FOR MO-6-904G,MO-6914G					1	
42		TA2050805R0		RUBBER PLUG						1	
43		13160700		BELT COVER (B)	ACCESSORIES PARTS(FOR JE,JUS)					1	

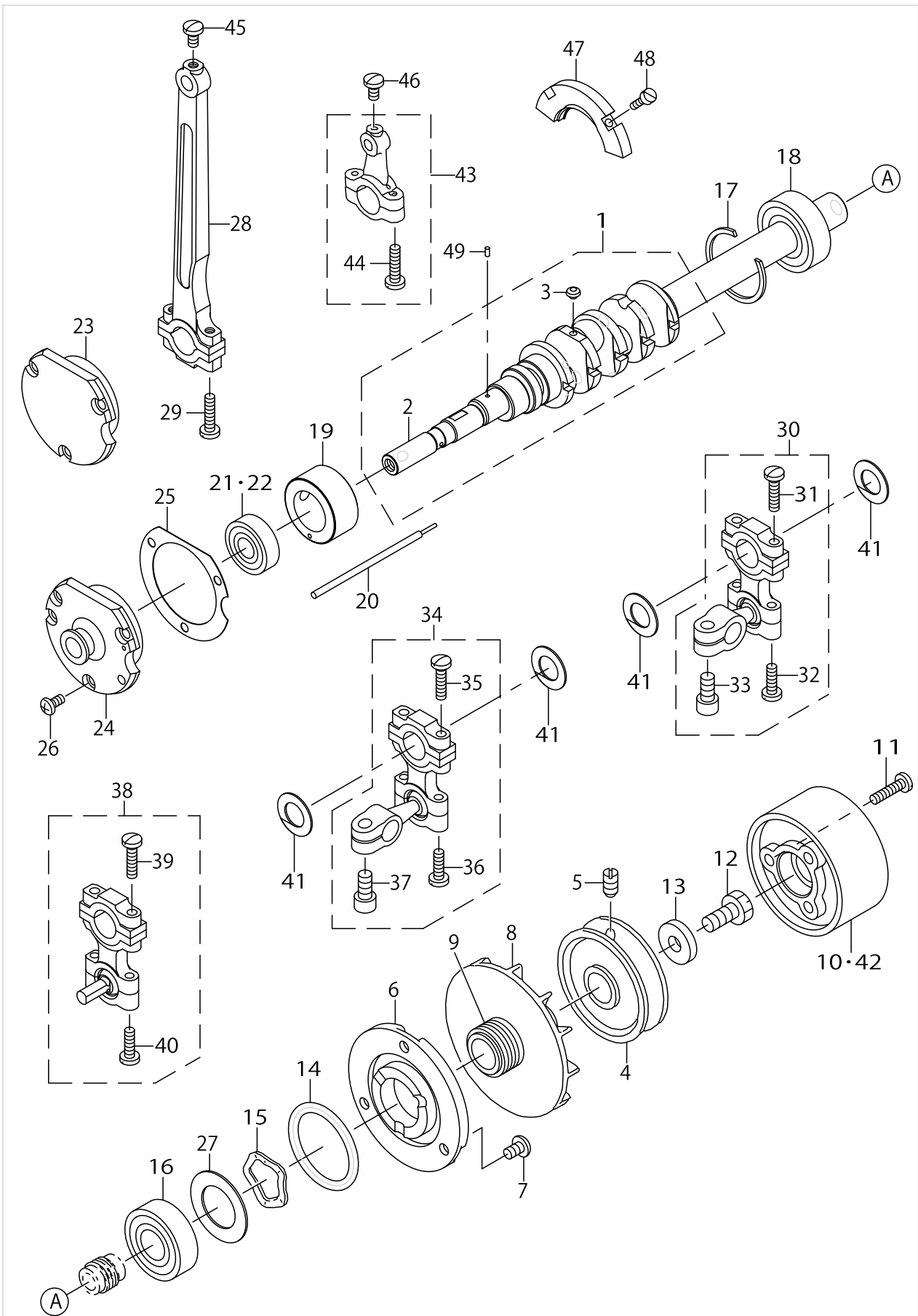
MISCELLANEOUS COVER COMPONENTS (2)



MISCELLANEOUS COVER COMPONENTS (2)

No.	Supply Code	Parts No.	Replacement	Parts name	Remarks	Choice	Step	Level	Cons	Qty	Rep. QTY
44		40037392		BELT COVER C	VARIOUS NOS. FOR DESTINATIONS					1	
45		40040065		VIBRATION PROOF RUBBER	VARIOUS NOS. FOR DESTINATIONS					1	
46		CM600100101		WEEE MARK LABEL S	FOR JE					1	

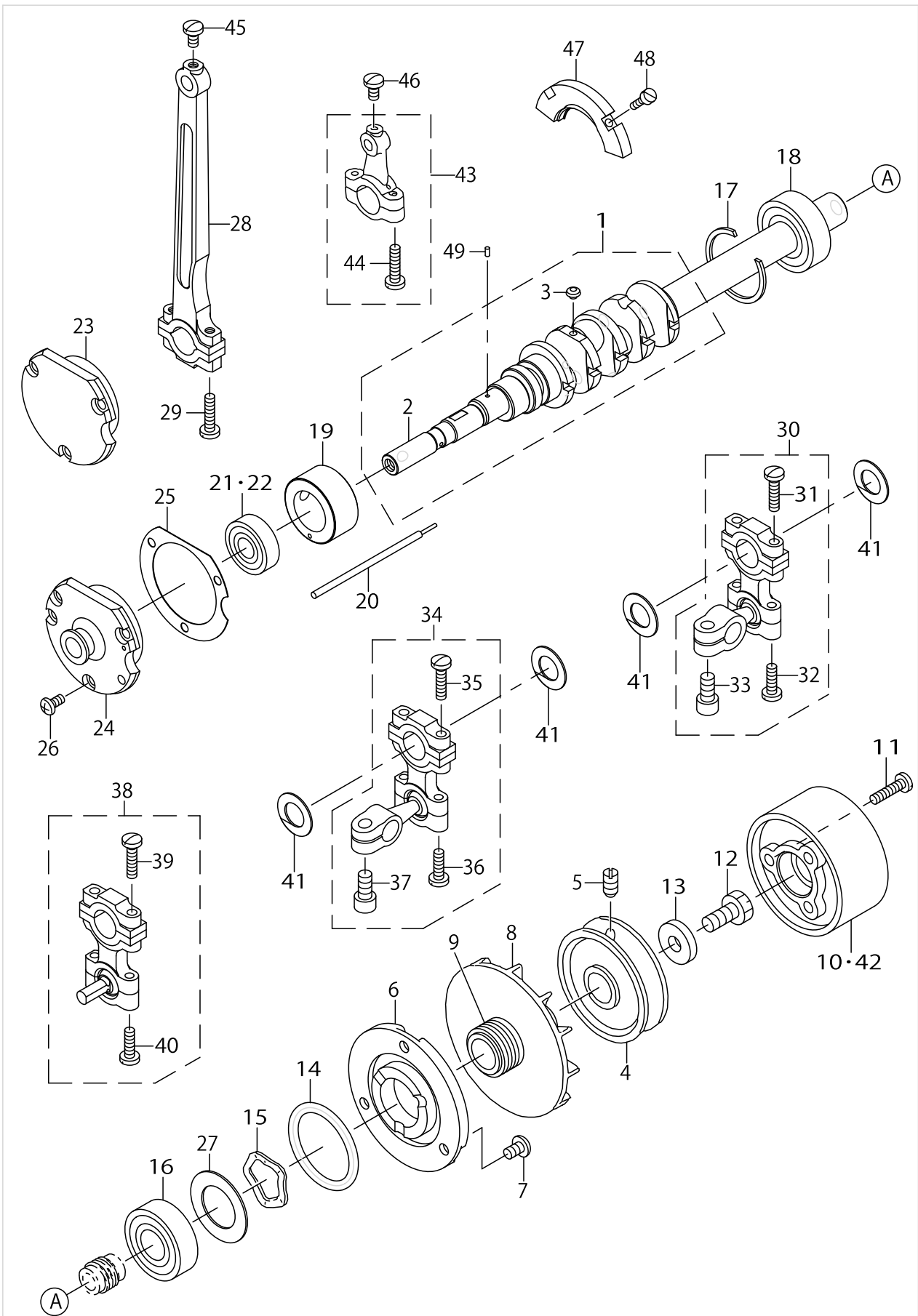
CRANKSHAFT COMPONENTS



CRANKSHAFT COMPONENTS

No.	Supply Code	Parts No.	Replacement	Parts name	Remarks	Choice	Step	Level	Cons	Qty	Rep. QTY
1		13205554		CRANKSHAFT ASM.						1	
2	R	13205505	13205554	CRANKSHAFT				*		1	1.00
3		SS5080212TP		SCREW 1/8-44 L=2				*		5	
4		12002606		HANDWHEEL A						1	
5		SS8151150TP		SCREW 15/64-28 L=10.5						2	
6		13107800		THRUST COLLAR						1	
7		SM4050855SP		SCREW M5 L=8						3	
8		13108402		COOLING FAN						1	
9		13108501		CRANKSHFT OIL SHIELD						1	
10		12025706		FLYWHEEL (C)	FOR MO-6-904G,MO-6916G					1	
11		SS7111810TP		SCREW 11/64-40L=18						3	
12		SS9681610TP		SCREW 9/32-28 L=16						1	
13		WP0764016SP		WASHER						1	
14		13170303		RUBBER RING						1	
15		WZ2640310KH		WAVED WASHER 26.4X33.9X3.5						1	
16		13108600		CRANKSHAFT BALL BEARING B						1	
17		40022239		BEARING RETAINER						1	
18		13108600		CRANKSHAFT BALL BEARING B						1	
19		13205406		CRANKSHAFT BUSHING C						1	
20		13104906		OIL ADJUSTING BAR						1	
21	R	B1215804000	13108808	BALL BEARING D	FOR MO-6-904G,MO-6914G					1	1.00
22	R	SB110000300	13108907	BALL BEARING	FOR MO-6916G					1	1.00
23		13108006		CRANKSHAFT BUSHING D	FOR MO-6-904G,MO-6914G					1	
24		13108105		CRANKSHAFT BUSHING D	FOR MO-6916G					1	
25		12108403		CRANKSHAFT BUSHING D GASKET						1	
26		SM4040855SP		SCREW						3	
27		13108303		BEARING HOLDING PLATE						1	
28	R	12372603	12372652	CONNECTING ROD						1	1.00
29		SS7111810TP		SCREW 11/64-40L=18						2	
30	R	12375051	70003341	UPPER LOOPER ARM ASM.						1	1.00
31		SS7111810TP		SCREW 11/64-40L=18				*		2	
32		SS7111410TP		SCREW 11/64-40L=14				*		2	
33		SM6061202TP		SCREW M6 L=12				*		1	
34		12375150		LOWER LOOPER ARM A ASM.	FOR MO-6-904G,MO-6914G					1	
35		SS7111810TP		SCREW 11/64-40L=18				*		2	
36		SS7111410TP		SCREW 11/64-40L=14				*		2	
37		SM6061202TP		SCREW M6 L=12				*		1	
38		12375259		LOWER LOOPER ARM B ASM.	FOR MO-6916G					1	
39		SS7111810TP		SCREW 11/64-40L=18				*		2	
40		SS7111410TP		SCREW 11/64-40L=14				*		2	
41		40017824		LOOPER LOD STOPPER						4	
42		13107701		HANDWHEEL	FOR MO-6914G					1	
43	R	12132155	13232558	KNIFE DRIVING ROD ASM.						1	1.00
44		SS7111810TP		SCREW 11/64-40L=18				*		2	
45		SS7110840SP		SCREW 11/64-40 L=7.8						1	

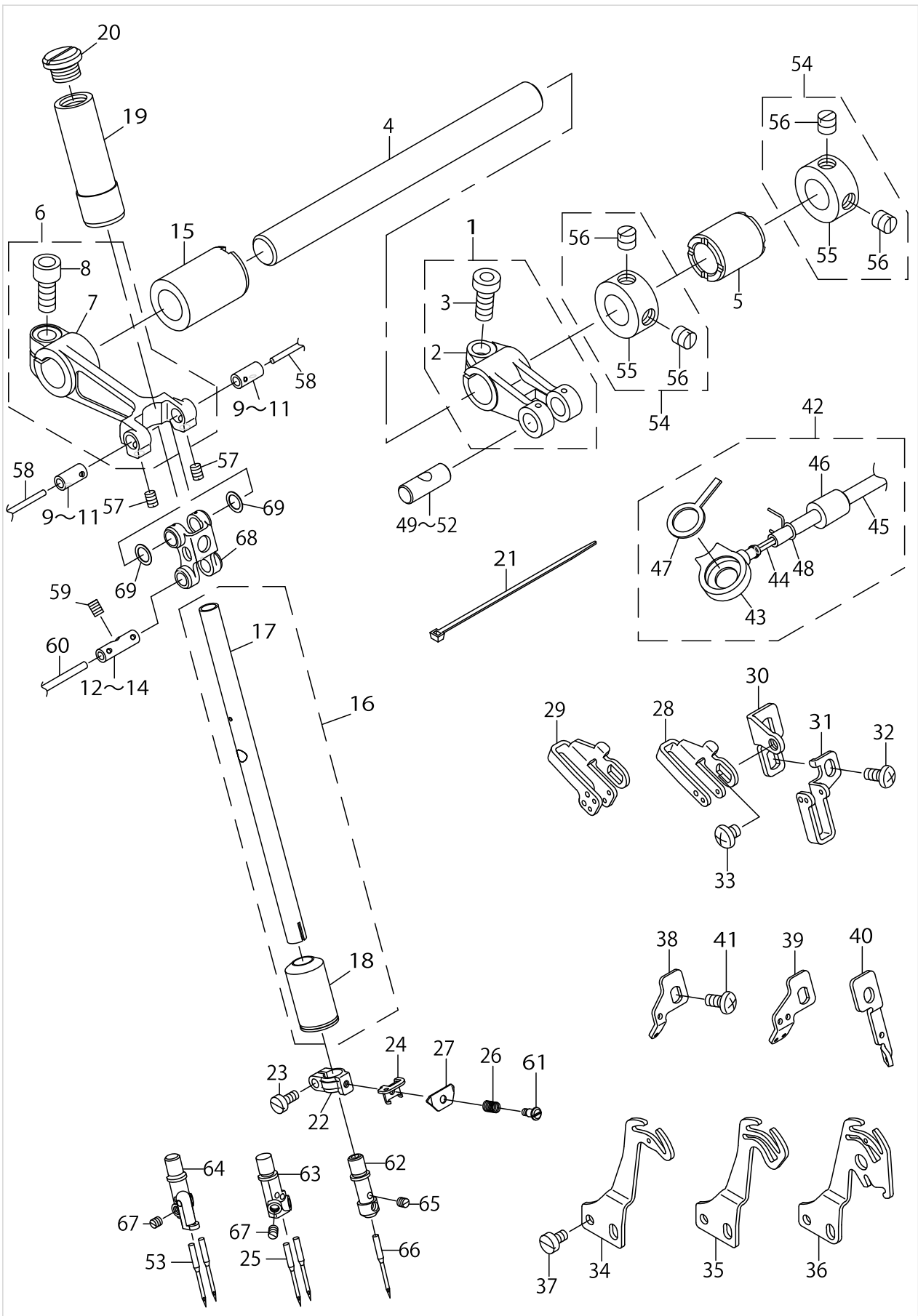
CRANKSHAFT COMPONENTS



CRANKSHAFT COMPONENTS

No.	Supply Code	Parts No.	Replacement	Parts name	Remarks	Choice	Step	Level	Cons	Qty	Rep. QTY
46		SS7110840SP		SCREW 11/64-40 L=7.8						1	
47		40017714		BALANCER						1	
48		SS6081210TP		SCREW 1/8-44 L=12						2	
49		40035711		OIL WICK						1	

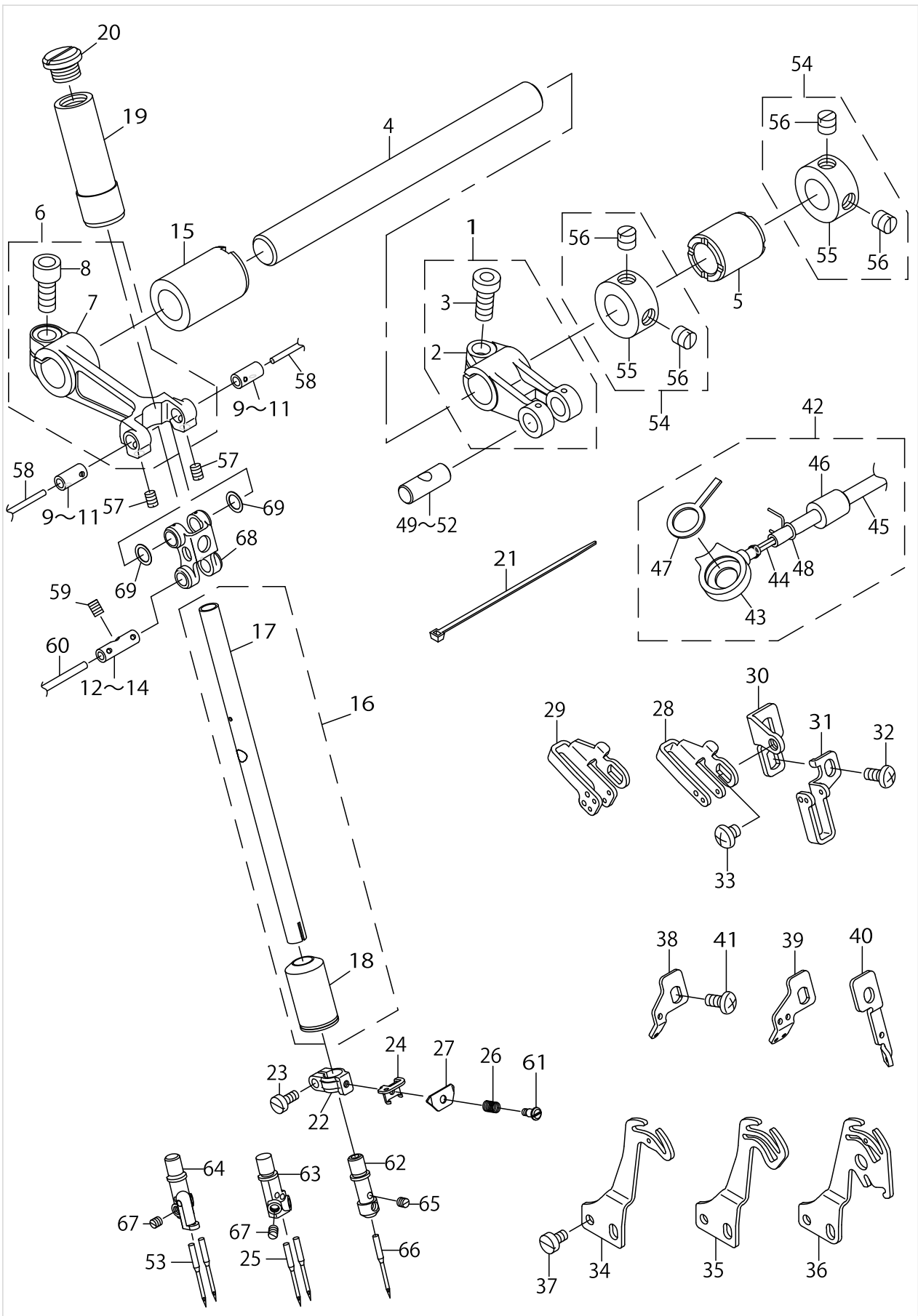
NEEDLE DRIVING SHAFT COMPONENTS



NEEDLE DRIVING SHAFT COMPONENTS

No.	Supply Code	Parts No.	Replacement	Parts name	Remarks	Choice	Step	Level	Cons	Qty	Rep. QTY
1		13110556		FEED FORKED CRANK ASM.						1	
2	R	13110507	13110556	NEEDLE DRIVING BRANCH CRANK				*		1	1.00
3		SM6061402TP		SCREW M6 L=14				*		1	
4		13110606		NEEDLE DRIVING SHAFT						1	
5	R	12280301	13110101	BUSHING REAR						1	1.00
6		13207956		NEEDLE DRIVING ARM ASM.						1	
7	R	13207907	13207956	NEEDLE DRIVING ARM				*		1	1.00
8		SM6061402TP		SCREW M6 L=14				*		1	
9		13209101		NEEDLE DRIVING ARM PIN A	SELECTIVE PARTS					2	
10		13209200		NEEDLE DRIVING ARM PIN B	SELECTIVE PARTS					2	
11		13209309		NEEDLE DRIVING ARM PIN C	SELECTIVE PARTS					2	
12		13209408		NEEDLE DRIVING PIN A	SELECTIVE PARTS					1	
13		13209507		NEEDLE DRIVING PIN B	SELECTIVE PARTS					1	
14		13209606		NEEDLE DRIVING PIN C	SELECTIVE PARTS					1	
15		13110002		BUSHING REAR						1	
16		13210158		NEEDLE ROD (C) ASM.						1	
17		13210109		NEEDLE ROD (C)				*		1	
18	R	13207709	13208350	NEEDLE ROD BUSHING LOWER				*		1	1.00
19		13207600		NEEDLE HOLDER BUSHING UPPER						1	
20		13207808		NEEDLE ROD BUSHING CAP SCREW						1	
21		EA9500B0100		CABLE BAND						1	
22		12304309		NEEDLE CLAMP HOLDER						1	
23		SS6080720SP		SCREW 1/8-44 L=7						1	
24		31203201		NEEDLE THREAD PRESSER GUIDE						1	
25		MDO500S1800		DOX5 S #18S	FOR MO-6914G					2	
26		40014730		NEEDLE THREAD PRESSER SPRING						1	
27		31203300		NEEDLE THREAD PRESSER PLATE						1	
28		13208806		NEEDLE THREAD GUIDE	FOR MO-6-904G,MO-6916G					1	
29		13208905		THREAD GUIDE 2-NEEDLE	FOR MO-6914G					1	
30		13208707		NEEDLE THREAD GUIDE BASE						1	
31		12386603		THREAD GUIDE CHAIN LOOPER	FOR MO-6916G					1	
32		SM4040855SP		SCREW						2	
33		SS4110515SP		SCREW 11/64-40 L=5						1	
34		13111208		NEEDLE THREAD TAKE-UP LEVER	FOR MO-6904G					1	
35		13111307		TAKE-UP LEVER 2-NEEDLE	FOR MO-6914G					1	
36		12372207		THREAD TAKE-UP LEVER	FOR MO-6916G					1	
37		SS6090670TP		SCREW 9/64-40 L=6						2	
38		13210208		NEEDLE THREAD BALANCE GUIDE	FOR MO-6-904G,MO-6916G					1	
39		13210307		TAKE-UP LEVER GUIDE 2-NEEDLE	FOR MO-6914G					1	
40		12372405		CHAIN LOOP	FOR MO-6916G					1	
41		SM4040855SP		SCREW						1	
42		13208459		ONCE THROUGH OIL PIPE ASM.						1	
43		13208509		ONCE THROUGH OIL COVER				*		1	
44		CQ200000000		OIL WICK				*		0.8	
45		23630007		TUBE				*		0.39	

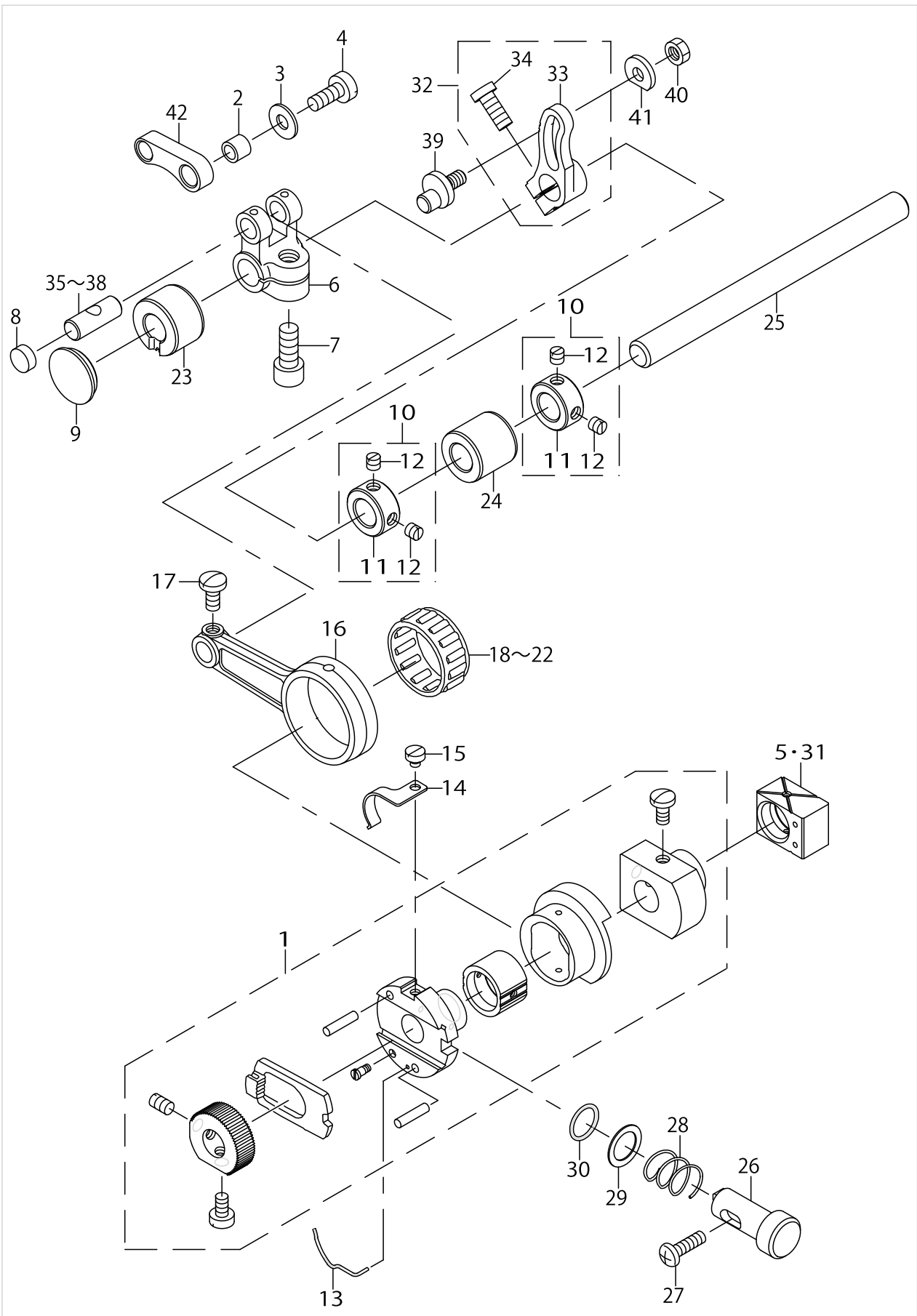
NEEDLE DRIVING SHAFT COMPONENTS



NEEDLE DRIVING SHAFT COMPONENTS

No.	Supply Code	Parts No.	Replacement	Parts name	Remarks	Choice	Step	Level	Cons	Qty	Rep. QTY
46		13244009		ONCE THROUGH OIL PIPE BUSHING				*		1	
47		13208608		ONCE THROUGH OIL FELT				*		1	
48		13142609		PIPE CLAMP				*		1	
49		13122007		FEED BRANCH CRANK PIN A	SELECTIVE PARTS					1	
50		13122106		FEED BRANCH CRANK PIN B	SELECTIVE PARTS					1	
51		13122205		FEED BRANCH CRANK PIN C	SELECTIVE PARTS					1	
52		13122304		FEED BRANCH CRANK PIN D	SELECTIVE PARTS					1	
53		MDO500S2100		DOX5 S #21S	FOR MO-6916G					2	
54		13172754		THRUST COLLAR ASM.						2	
55		13172705		THRUST COLLAR				*		1	
56		SS8660610TP		SCREW 1/4-40 L=6				*		2	
57		SS8090530TP		SCREW 9/64-40 L=5.0						2	
58		CQ202000000		OIL WICK						.09	
59		SS8090530TP		SCREW 9/64-40 L=5.0						1	
60		CQ252000000		OIL WICK						.04	
61		40014729		NEEDLE THREAD P-RESSER SCREW						1	
62		13255005		NEEDLE CLAMP 1-NEEDLE	FOR MO-6904G					1	
63		13255104		NEEDLE CLAMP 2-NEEDLE	FOR MO-6914G					1	
64		13255203		CHAIN LOOPER NEEDLE CLAMP	FOR MO-6916G					1	
65		SS8080310TP		SCREW 1/8-44 L=2.8	FOR MO-6904G					1	
66		MDO500S2100		DOX5 S #21S	FOR MO-6904G					1	
67		SS8080310TP		SCREW 1/8-44 L=2.8	FOR MO-6-914G,MO-6916G					2	
68		13208004		NEEDLE DRIVING LINK						1	
69		13208103		NEEDLE DRIVING LINK WASHER						2	

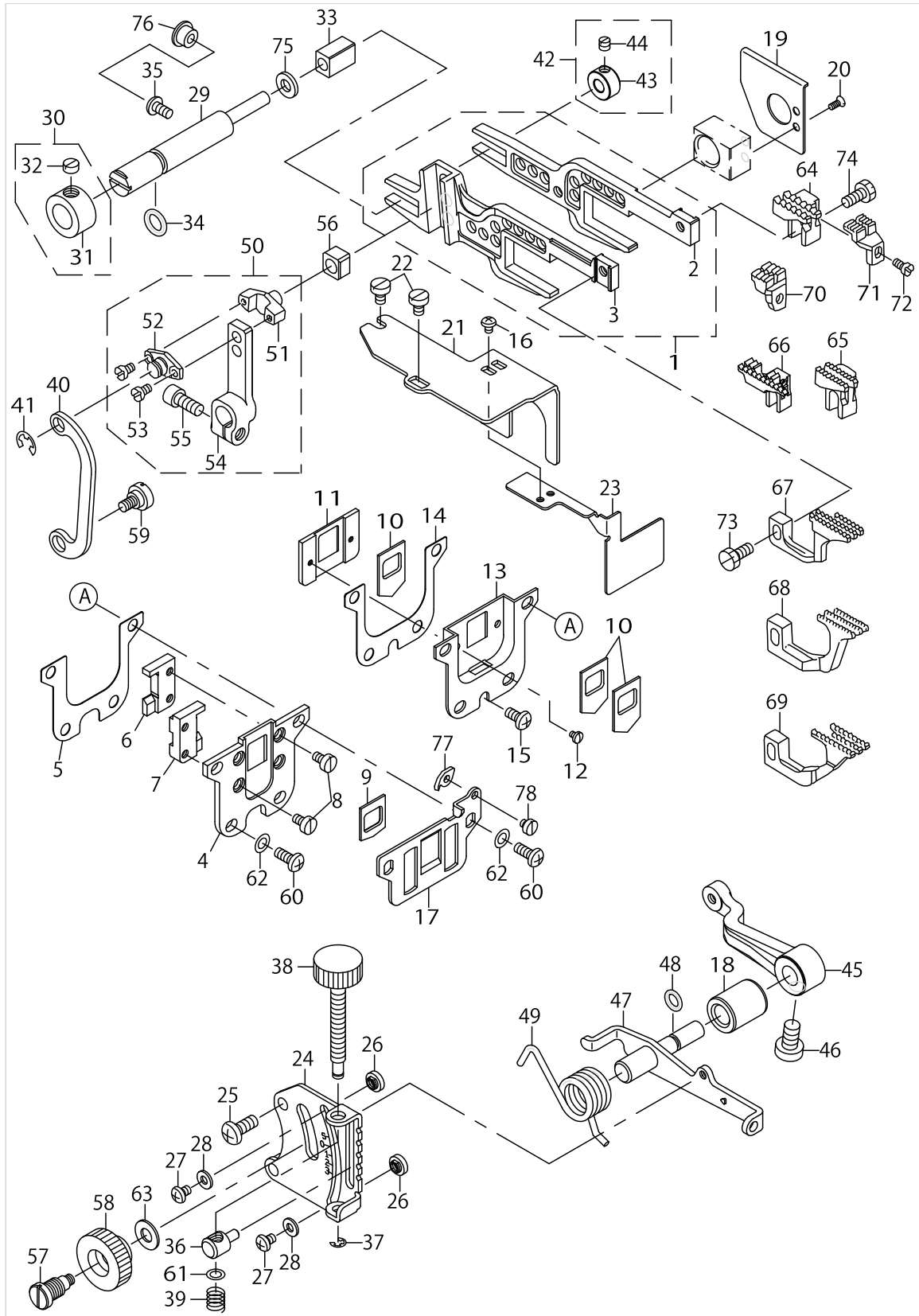
FEED MECHANISM COMPONENTS (1)



FEED MECHANISM COMPONENTS (1)

No.	Supply Code	Parts No.	Replacement	Parts name	Remarks	Choice	Step	Level	Cons	Qty	Rep. QTY
1		13118054		FEED ECCENTRIC BODY ASM.						1	
2		13120506		PIN COLLAR						1	
3		13120605		WASHER						1	
4		SS6121220TP		SCREW 3/16-28 L=11.5						1	
5		13217807		SLIDE BLOCK A	SELECTIVE PARTS					1	
6		12119210		FORKED CRANK						1	
7		SM6061402TP		SCREW M6 L=14						1	
8		TA1030402R0		RUBBER PLUG D=10.3 L=4						1	
9		TA2050416R0		RUBBER PLUG						1	
10		13172556		FEED SHAFT THRU-ST COLLAR ASM.						2	
11		13172507		FEED SHAFT THRUST COLLAR				*		1	
12		SS8110410TP		SCREW 11/64-40 L=3.5				*		2	
13		13122502		RATCHET PAWL SPRING						1	
14		13119300		RATCHET GEAR SPRING						1	
15		SS6080320SP		SCREW 1/8-44 L=2.5						1	
16		13118708		FEED CRANK ROD						1	
17		SS7110910TP		SCREW 11/64-40 L=8.5						1	
18		12116604		NEEDLE BEARING	SELECTIVE PARTS					1	
19		12116703		NEEDLE BEARING B	SELECTIVE PARTS					1	
20		12116802		NEEDLE BEARING C	SELECTIVE PARTS					1	
21		12116901		NEEDLE BEARING D	SELECTIVE PARTS					1	
22		12117008		NEEDLE BEARING E	SELECTIVE PARTS					1	
23		13119409		FEED SHAFT METAL FRONT						1	
24		13119508		FEED SHAFT METAL REAR						1	
25		13119607		FEED SHAFT						1	
26	D	13216809		PUSHBUTTONSHAFT						1	
27		SM4041455SN		SCREW M4 L=14						1	
28		13216601		PUSH BUTTON SPRING						1	
29		13216700		PUSH BUTTON SHAFT WASHER						1	
30		13244108		RUBBER RING						1	
31		13217906		SLIDE BLOCK B	SELECTIVE PARTS					1	
32		13119953		MAIN FEED ARM ASM.						1	
33		13119904		MAIN FEED ARM				*		1	
34		SM6051202TP		SCREW M5X0.8 L=12				*		1	
35		13122007		CRANK PIN A	SELECTIVE PARTS					1	
36		13122106		CRANK PIN B	SELECTIVE PARTS					1	
37		13122205		CRANK PIN C	SELECTIVE PARTS					1	
38		13122304		CRANK PIN D	SELECTIVE PARTS					1	
39		13119706		MAIN FEED ARM PIN						1	
40		NS6620320SP		NUT 3/16-32						1	
41		13120001		WASHER B						1	
42		13119805		MAIN FEED LINK						1	

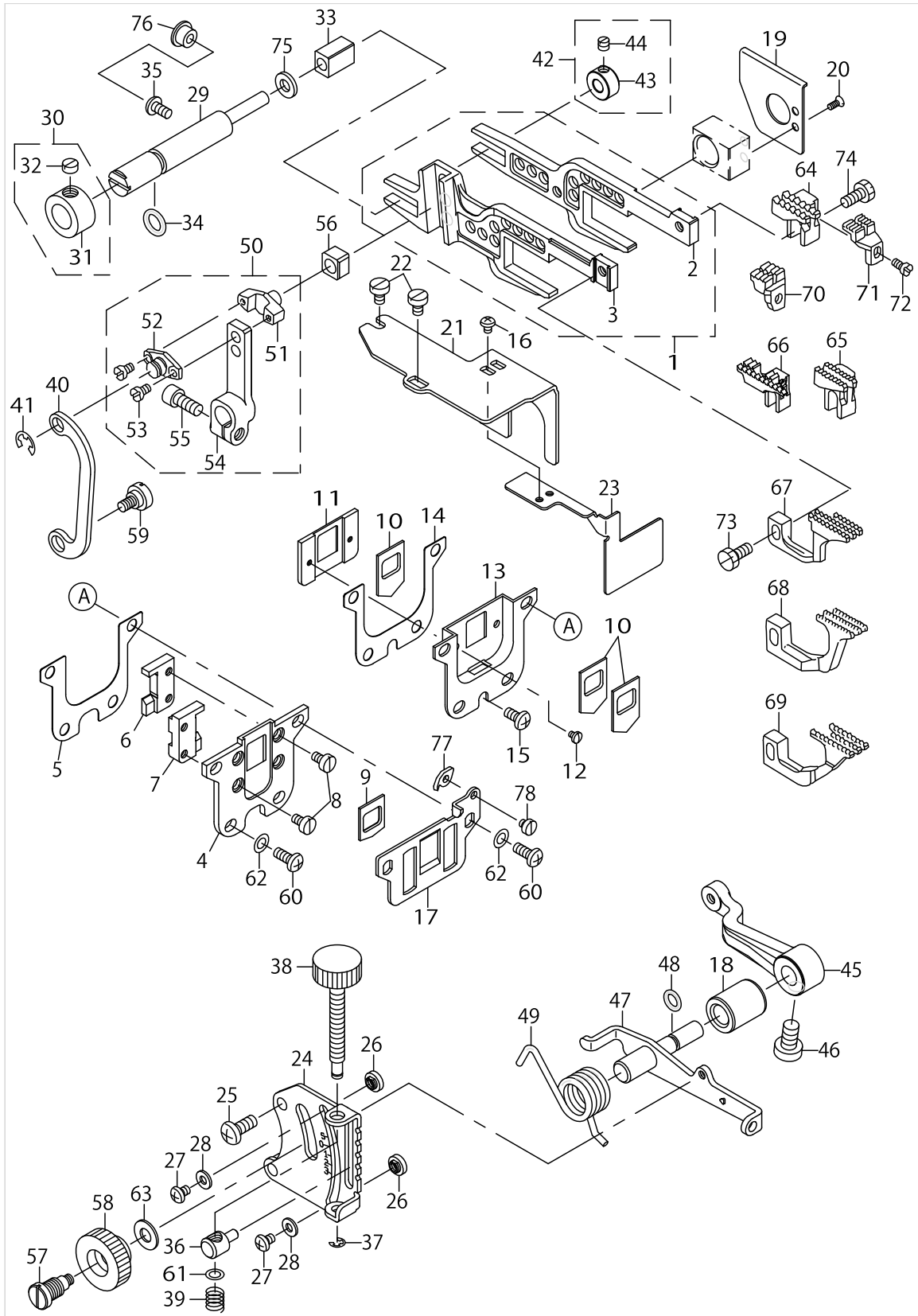
FEED MECHANISM COMPONENTS (2)



FEED MECHANISM COMPONENTS (2)

No.	Supply Code	Parts No.	Replacement	Parts name	Remarks	Choice	Step	Level	Cons	Qty	Rep. QTY
1		13215157		FEED ROCKER ASM.						1	
2	R	13215108	13215157	MAIN FEED BAR				*		1	1.00
3	R	13215207	13215157	DIFFERENTIAL FEED BAR				*		1	1.00
4		13215306		RUBBER CASE						1	
5		13215405		RUBBER CASE GASKET						1	
6		13215504		FEED BAR SUPPORT RIGHT						1	
7		13215603		FEED BAR SUPPORT LEFT						1	
8		SS6090620TP		SCREW						4	
9	R	12118303	70004244	DUST-PROOF RUBBER						1	1.00
10		70004244		OIL SHIELD RUBBER						3	
11		13215702		RUBBER HOLDING PLATE						1	
12		SS7060310SP		SCREW 3/32-56 L=3						2	
13		13215900		OIL SHIELD CASE						1	
14		13216007		OIL SHIELD CASE GASKET						1	
15		SM4040855SP		SCREW						1	
16		SM4030455SP		SCREW						2	
17		13217104		THROAT PLATE SUPPORT						1	
18		13122700		ADJUSTING SHAFT METAL						1	
19		13216106		OIL SHIECD PLATE						1	
20		SS1060610SP		SCREW 3/32-56 L=5.5						2	
21		13216205		FEED CAM OIL SHIECD PLATE						1	
22		SM6040600SP		SCREW M4 L=6						2	
23		13216304		OIL SHIECD PLATE						1	
24		13122809		DIFFERENTIAL FEED GRADUATION						1	
25		SM4051255SP		SCREW M5 L=12						2	
26		13121405		ADJUSTING STOPPER						2	
27		SS4090515SP		SCREW 9/64-40 L=5						2	
28		WP0371016SD		WASHER 3.7X8X1						2	
29		13120902		SUPPORT SHAFT						1	
30		13121058		HRUST COLLAR ASM.						1	
31		13121009		HRUST COLLAR				*		1	
32		SS8660330SP		SCREW 1/4-40 L=3.0				*		1	
33		13120803		SLIDE BLOCK						1	
34		13170204		RUBBER RING						1	
35		SM4040855SP		SCREW						1	
36		13217708		DIFFERENTIAL FEED BLOCK						1	
37		RE0300000K0		E-RING 3						1	
38		13213012		ADJUSTING SCREW						1	
39		13123302		DIFFERENTIAL FEED SCREW SPRING						1	
40		13121306		ADJUSTING LINK						1	
41		RE0500000K0		E-RING 5						1	
42		13121256		SUPPORT SHAFT COLLAR ASM.						1	
43	R	13121207	13121256	SUPPORT SHAFT COLLAR				*		1	1.00
44		SS8110410TP		SCREW 11/64-40 L=3.5				*		1	
45		13121900		DIFFERENTIAL FEED ROCKER						1	
46		SS6661110SP		SCREW 1/4-40 L=11						1	

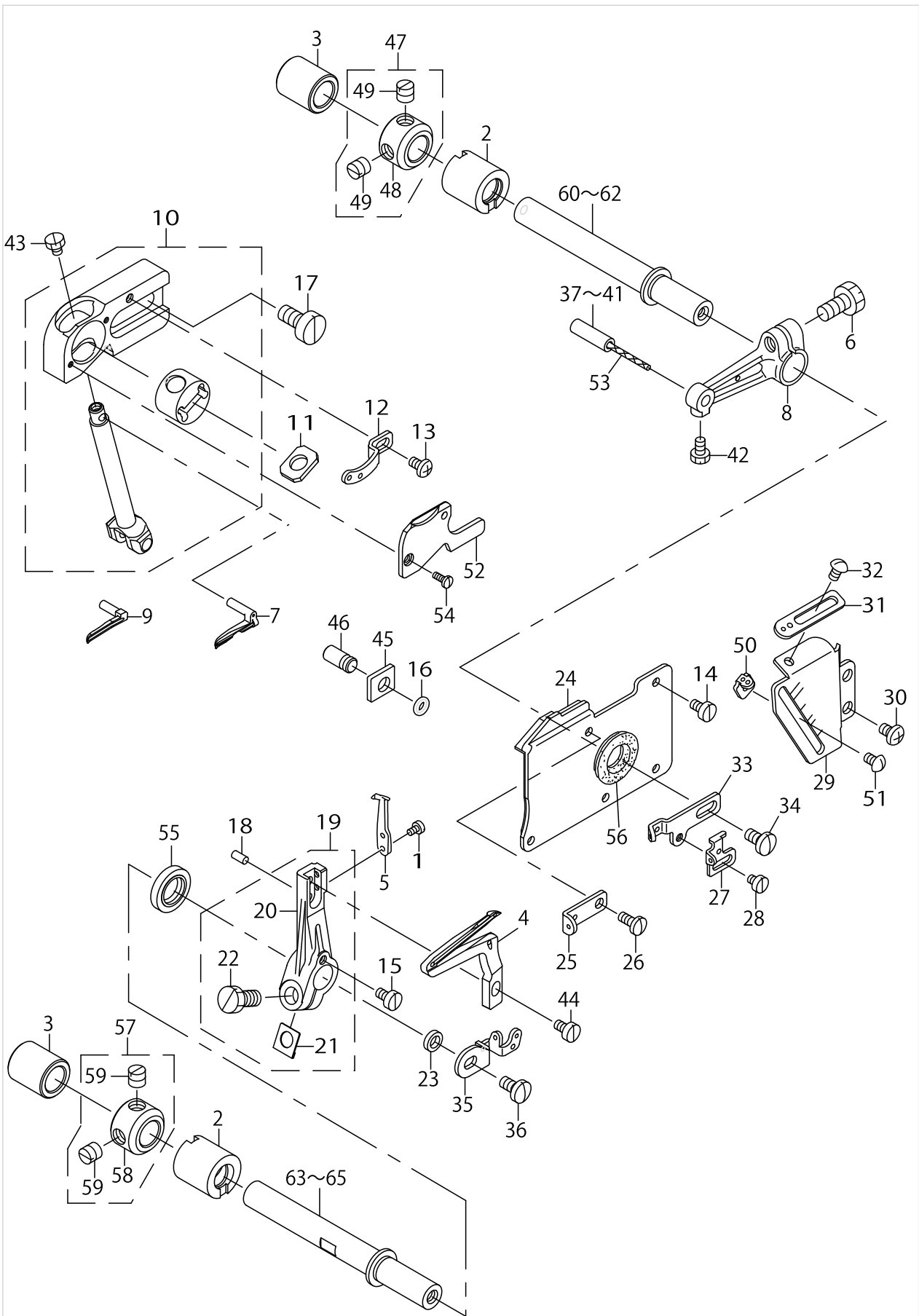
FEED MECHANISM COMPONENTS (2)



FEED MECHANISM COMPONENTS (2)

No.	Supply Code	Parts No.	Replacement	Parts name	Remarks	Choice	Step	Level	Cons	Qty	Rep. QTY
47		13217351		ROCKER SHAFT ASM.						1	
48		13170501		RUBBER RING						1	
49		13121603		ADJUSTING LEVER SPRING						1	
50		13218052		DIFFERENTIAL FEED ARM ASM.						1	
51		11825304		DIFFERENTIAL FEED PIN				*		1	
52	R	11826401	13218052	DIFFERENTIAL FEED PIN COVER				*		1	1.00
53		SS6080410SP		SCREW 1/8-44 L=4				*		2	
54	R	13218003	13218052	DIFFERENTIAL FEED ARM				*		1	1.00
55		SM6051202TP		SCREW M5X0.8 L=12				*		1	
56		13218102		SLIDE BLOCK						1	
57		13217401		DIFFERENTIAL FEED HINGE SCREW						1	
58		13217500		DIFFERENTIAL FEED LOCK NUT						1	
59		SD0720271SP		HINGE SCREW D=7.2 H=2.7						1	
60		SM4041055SP		SCREW M4 L=10						4	
61		WP0460556SD		WASHER 4.6X7.5X0.5						1	
62		WP0480856SP		WASHER 4.8X8.4X0.8						4	
63		WP0621016SD		WASHER 6.2X13X1						1	
64		11701604		MAIN FEED DOG	FOR MO-6904G					1	
65		12013306		MAIN FEED DOG	FOR MO-6914G					1	
66		12382503		MAIN FEED DOG	FOR MO-6916G					1	
67		11700507		DIFFERENTIAL FEED DOG	FOR MO-6904G					1	
68		12013405		SUB FEED DOG	FOR MO-6914G					1	
69		11528403		DIFFERENTIAL FEED DOG	FOR MO-6916G					1	
70		11528502		AUXILIARY FEED DOG	FOR MO-6916G					1	
71		11651809		AUXILIARY FEED DOG	FOR MO-6-904G,MO-6914G					1	
72		SS4080620TP		SCREW 1/8-44 L=6						1	
73		SS9111010SP		SCREW 11/64-40 L=9.5						1	
74		SS9111050SP		SCREW 11/64-40 L=9.5						1	
75		13121108		WASHER						1	
76		TA0800504R0		PLUG D=8 L=4.5						1	
77		13200902		FEED MECHANISM COVER PRESSER						1	
78		SS6080340SP		SCREW 1/8-44 L=2.9						1	

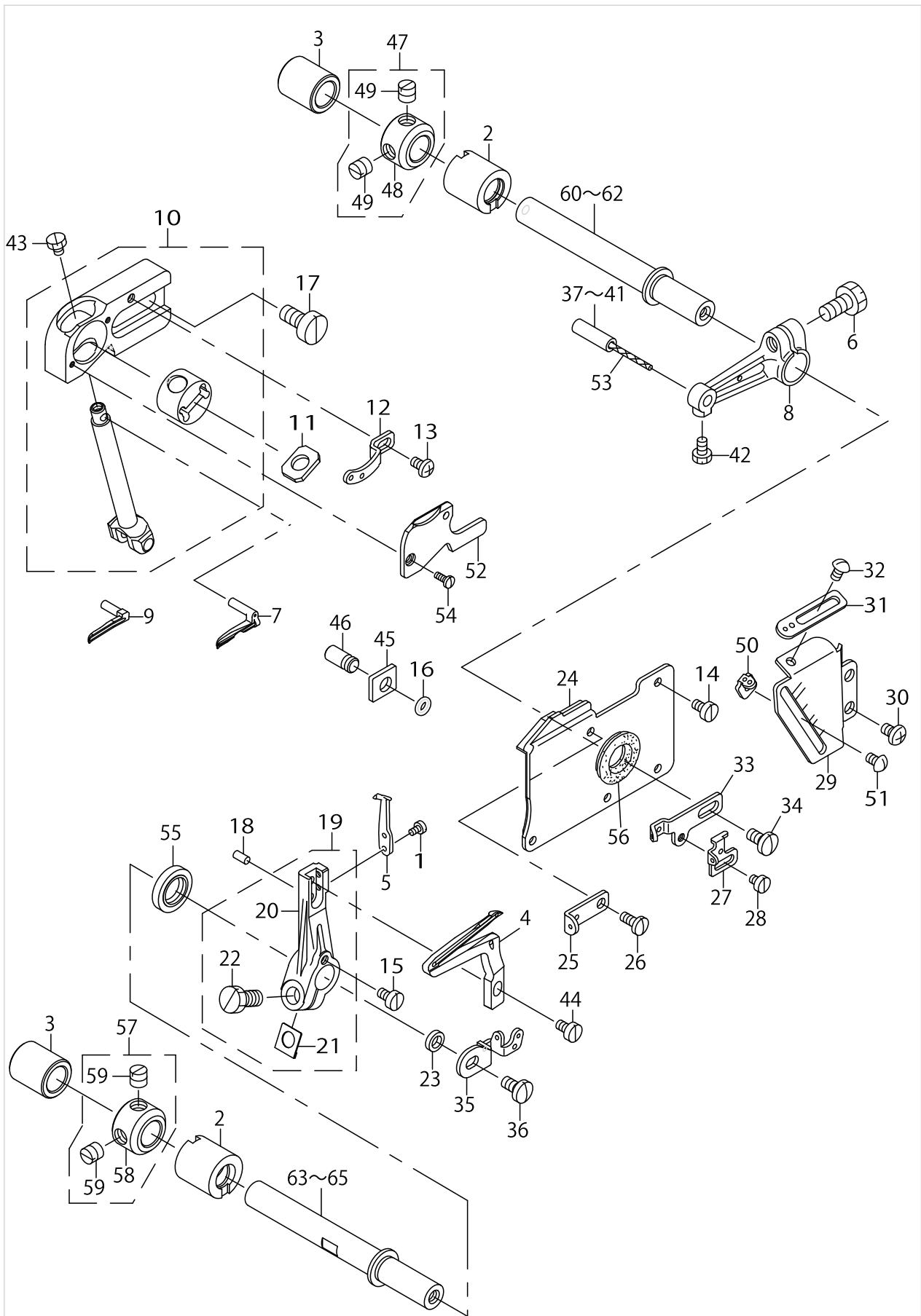
UPPER & LOWER LOOPER COMPONENTS



UPPER & LOWER LOOPER COMPONENTS

No.	Supply Code	Parts No.	Replacement	Parts name	Remarks	Choice	Step	Level	Cons	Qty	Rep. QTY
1		SS6060440TP		SCREW 3/32-56 L=3.5						2	
2		13222609		LOOPER SHAFT FRONT BUSHING						2	
3		13222708		LOOPER SHAFT REAR BUSHING						2	
4		12384202		LOWER LOOPER						1	
5		11890001		TRAVELING NEEDLE GUARD						1	
6		SS9151210TP		SCREW 15/64-28 L=11.8						1	
7		12383600		UPPER LOOPER	FOR MO-6914G					1	
8		13221304		UPPER LOOPER ARM						1	
9		12383501		UPPER LOOPER	FOR MO-6-904G,MO-6916G					1	
10		40026021		GUIDE SUPPORT ASM.						1	
11		40011234		DUST SEALING FELT						1	
12		12340501		THREAD GUIDE UPPER						1	
13		SS4090615SP		SCREW 9/64-40 L=6						1	
14		SS6090630TP		SCREW 9/64-40 L=6						4	
15		SS6090630TP		SCREW 9/64-40 L=6						1	
16		13170600		RUBBER RING						1	
17		SM6061200SP		SCREW M6 L=12						2	
18		PS0300062KH		SPRING PIN 3X6						1	
19		40059766		LOWER LOOPER SUPPORT ARM ASM.						1	
20		40059765		LOWER LOOPER SUPPORT ARM				*		1	
21		13129309		WASHER				*		1	
22		SS9151210TP		SCREW 15/64-28 L=11.8				*		1	
23		13132600		COLLAR						1	
24		12375952		OIL SHIELD ASM.						1	
25		12340600		UPPER LOOPER THREAD GUIDE						1	
26		SS7090850SP		SCREW 9/64-40 L=8						1	
27		12340709		LOWER LOOPER THREAD TAKE-UP						1	
28		SS6080410SP		SCREW 1/8-44 L=4						1	
29		13222401		LOOPER THREAD TAKE-UP COVER						1	
30		SM4040655SP		SCREW M4 L=6						2	
31		12340303		THREADGUIDERIGHT						1	
32		SS3090610SP		SCREW 9/64-40 L=6						1	
33		12340402		THREAD TAKE-UP RIGHT						1	
34		SS7110840SP		SCREW 11/64-40 L=7.8						1	
35		12375705		LOOPER THREAD TAKE-UP LEFT						1	
36		SS7110840SP		SCREW 11/64-40 L=7.8						1	
37		B1422804A00		PIN (A)	SELECTIVE PARTS					1	
38		B1422804B00		PIN (B)	SELECTIVE PARTS					1	
39	R	B1422804C00	B1422804D00	PIN (C)	SELECTIVE PARTS					1	1.00
40		B1422804D00		PIN (D)	SELECTIVE PARTS					1	
41	D	B1422804E00		PIN(E)	SELECTIVE PARTS					1	
42		SS9090610TP		SCREW 9/64-40 L=5.5						1	
43		SS9090410TP		SCREW						1	
44		SS6090620TP		SCREW						1	
45		11545100		GAUGE						1	

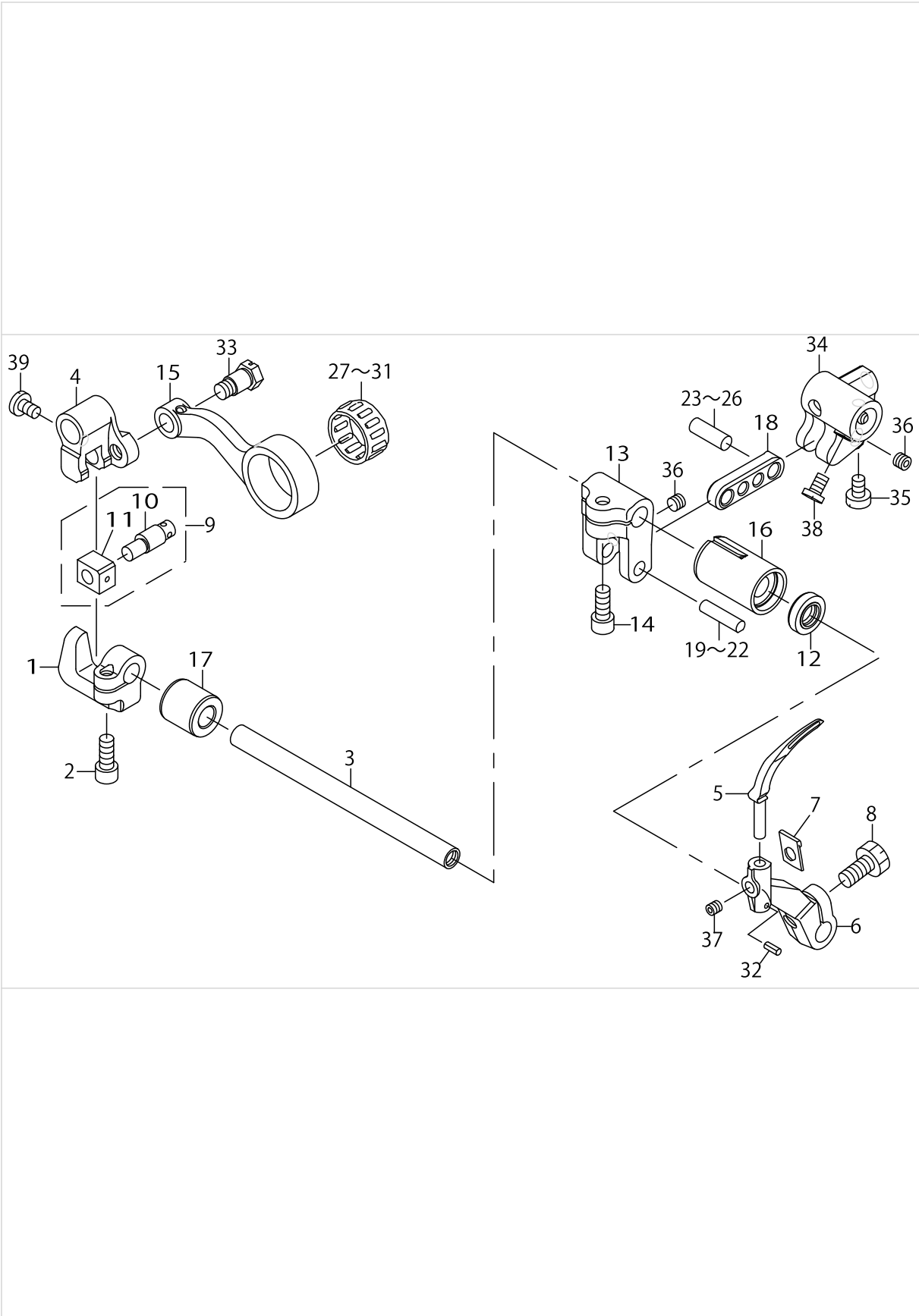
UPPER & LOWER LOOPER COMPONENTS



UPPER & LOWER LOOPER COMPONENTS

No.	Supply Code	Parts No.	Replacement	Parts name	Remarks	Choice	Step	Level	Cons	Qty	Rep. QTY
46		13131800		GAUGE FIXING PIN						1	
47		CS1031210SH		THRUST COLLAR A- SM. D=10.32 W=12	FOR MO-6- 904G,MO-6914G					2	
48	R	CS1031219SH	CS1031210SH	THRUST COLLAR D=10.32 W=12				*		1	1.00
49		SS8660610TP		SCREW 1/4-40 L=6				*		2	
50		12340808		THREAD GUIDE						1	
51		SS3090610SP		SCREW 9/64-40 L=6						1	
52		13224001		UPPER LOOPER GUIDE COVER						1	
53		CQ202000000		OIL WICK						.05	
54		SS7060610SP		SCREW 3/32-56 L=5.5						2	
55		40010804		OIL SEAL RING						1	
56		B2530704000		UPPER LOOPER SH- AFT RUBBER RING						1	
57		CS1031210SH		THRUST COLLAR A- SM. D=10.32 W=12	FOR MO-6916G					1	
58	R	CS1031219SH	CS1031210SH	THRUST COLLAR D=10.32 W=12				*		1	1.00
59		SS8660610TP		SCREW 1/4-40 L=6				*		2	
60		13221403		UPPER LOOPER SHAFT A	SELECTIVE PARTS					1	
61		13221502		UPPER LOOPER SHAFT B	SELECTIVE PARTS					1	
62		13221601		UPPER LOOPER SHAFT C	SELECTIVE PARTS					1	
63		13221700		UPPER LOOPER SHAFT A	SELECTIVE PARTS					1	
64		13221809		UPPER LOOPER SHAFT B	SELECTIVE PARTS					1	
65		13221908		UPPER LOOPER SHAFT C	SELECTIVE PARTS					1	

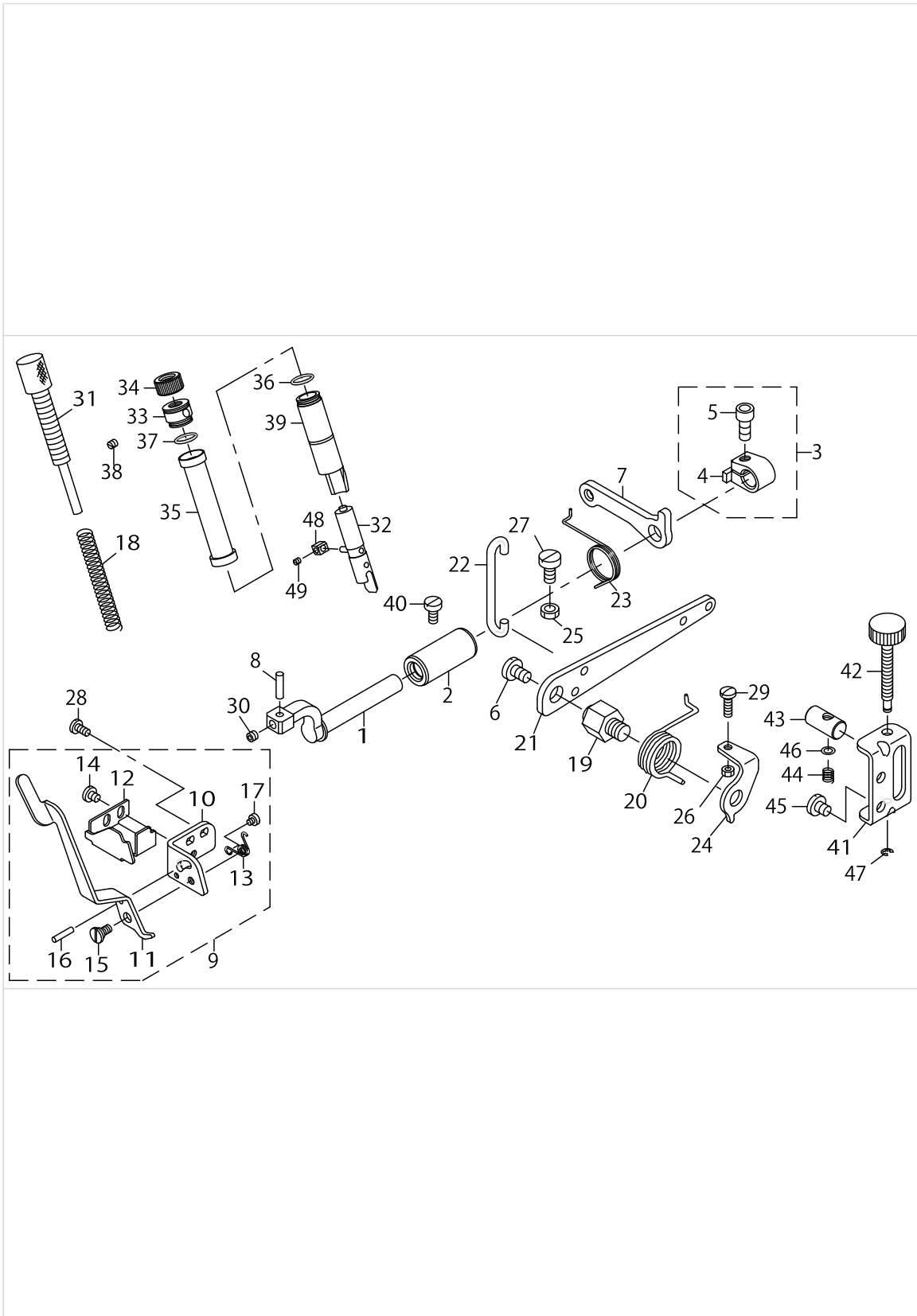
CHAIN LOOPER COMPONENTS (FOR MO-6916G)



CHAIN LOOPER COMPONENTS (FOR MO-6916G)

No.	Supply Code	Parts No.	Replacement	Parts name	Remarks	Choice	Step	Level	Cons	Qty	Rep. QTY
1	R	12342309	13129853	BRACKET						1	1.00
2		SM6051202TP		SCREW M5X0.8 L=12						1	
3		13126909		CHAIN LOOPER SHAFT						1	
4		13126008		FRONT-AND-REAR ARM						1	
5		12384400		CHAIN LOOPER						1	
6		11829314		CHAIN LOOPER DRIVING ARM						1	
7		13129309		WASHER						1	
8		SS9151210TP		SCREW 15/64-28 L=11.8						1	
9		13126354		SLIDE BLOCK PIN ASM.						1	
10	R	13126206	13126354	CHAIN LOOPER SLIDE BLOCK PIN				*		1	1.00
11		13126305		CHAIN LOOPER SLIDE BLOCK				*		1	
12		40010805		OIL SEAL RING						1	
13	R	12374104	SM8050402TP	DRIVING ARM		A				1	1.00
13	R	12374104	40078484	DRIVING ARM		A				1	1.00
13	R	12374104	SS4080620TP	DRIVING ARM		A				1	1.00
14		SM6051202TP		SCREW M5X0.8 L=12						1	
15		13220009		CHAIN LOOPER ROD						1	
16		13128103		BUSHING FORNT						1	
17		13127006		BUSHING REAR						1	
18		12374203		DRIVING LINK						1	
19		13126503		PIN LONG A	SELECTIVE PARTS					1	
20		13126602		PIN LONG B	SELECTIVE PARTS					1	
21		13126701		PIN LONG C	SELECTIVE PARTS					1	
22		13126800		PIN LONG D	SELECTIVE PARTS					1	
23		13127204		PIN SHORT A	SELECTIVE PARTS					1	
24		13127303		PIN SHORT B	SELECTIVE PARTS					1	
25		13127402		PIN SHORT C	SELECTIVE PARTS					1	
26		13127501		PIN SHORT D	SELECTIVE PARTS					1	
27		B2119816A00		BEARING A	SELECTIVE PARTS					1	
28		B2119816B00		BEARING B	SELECTIVE PARTS					1	
29		B2119816C00		BEARING C	SELECTIVE PARTS					1	
30		B2119816D00		BEARING D	SELECTIVE PARTS					1	
31	D	B2119816E00		BEARING E	SELECTIVE PARTS					1	
32		PS0200062KH		SPRING PIN 2X6						1	
33		SD0720803TH		STEP-SCREW D=7.24 H=8						1	
34	R	13220108	132201080A0	DRIVING BALL ARM BRACKET						1	1.00
35		SM8050602TP		SCREW M5 L=6						1	
36		SM8050402TP		SCREW						2	
37		SS8110422TP		SCREW 11/64-40 L=4						1	
38		SS6110710TP		SCREW 11/64-40 L=6.5						2	
39		SS7110720TP		SCREW 11/64-40 L=7						1	

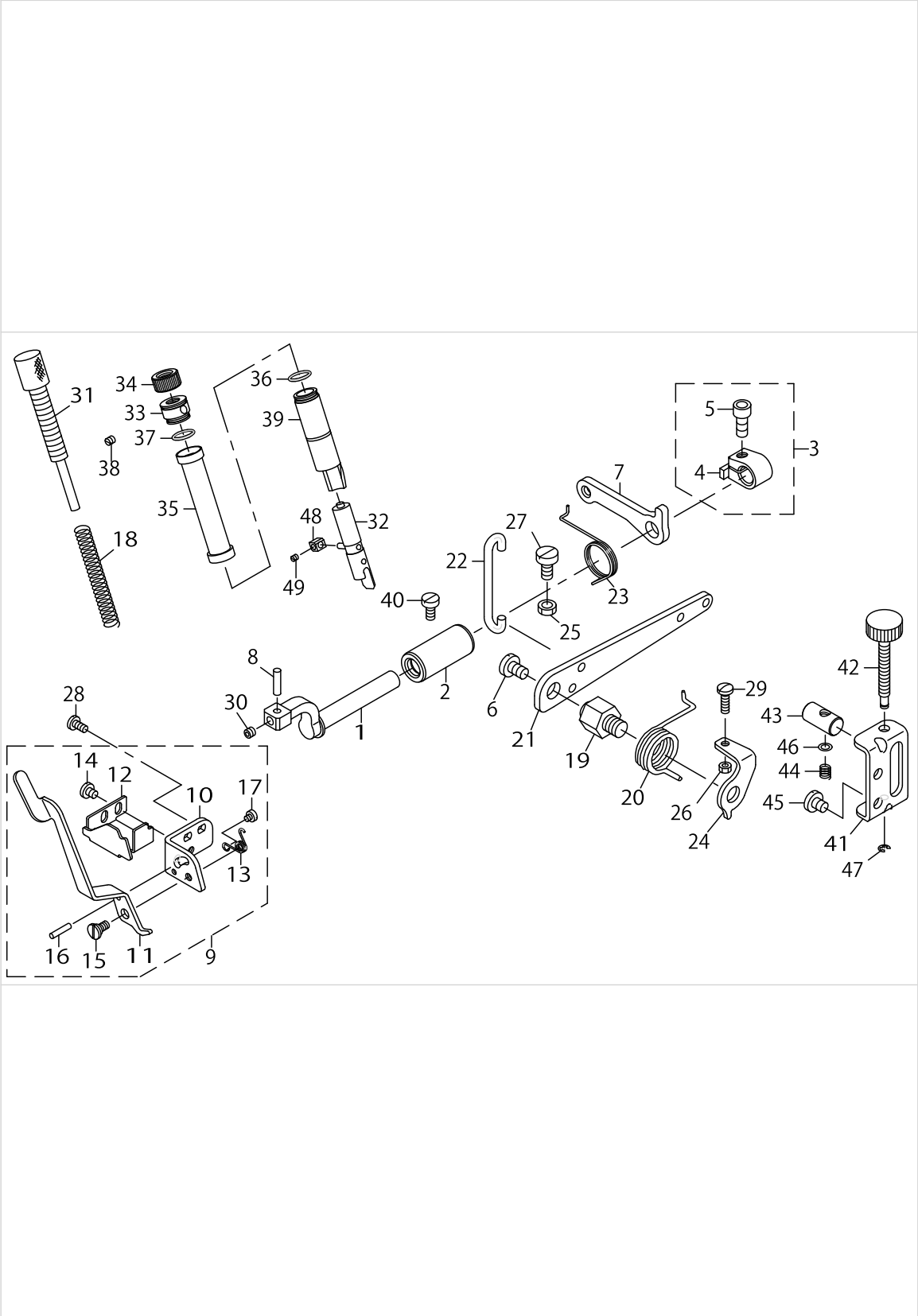
PRESSER FOOT COMPONENTS (1)



PRESSER FOOT COMPONENTS (1)

No.	Supply Code	Parts No.	Replacement	Parts name	Remarks	Choice	Step	Level	Cons	Qty	Rep. QTY
1		13115001		PRESSER FOOT SHAFT						1	
2		13115100		PRESSER FOOT SHAFT BUSHING						1	
3		40096182		THRUST ARM ASM.						1	
4		40096181		THRUST ARM				*		1	
5		SM6061402TP		SCREW M6 L=14				*		1	
6		SS7161040SP		SCREW 1/4-24 L=9.5						1	
7		13116801		LIFTING ARM						1	
8		13115407		PRESSER FOOT AR- M HINGE SHAFT						1	
9		13115753		PRESSER LIFTING LEVER BASE ASM.						1	
10		13115803		PRESSER LIFTING LEVER BASE				*		1	
11		13115902		PRESSER LIFTING LEVER				*		1	
12		13116009		PRESSER ARM STOPPER				*		1	
13		13116108		PRESSER FOOT LIFTING SPRING				*		1	
14		SS7110510SP		SCREW 11/64-40 L=5				*		2	
15		SD0640241SP		HINGE SCREW D=6.35 H=2.4				*		1	
16		PS0300142KH		SPRING PIN 0.3X14				*		1	
17		SS6080340SP		SCREW 1/8-44 L=2.9				*		1	
18		13116207		PRESSER FOOT SPRING						1	
19		13117007		PRESSER LIFTING LEVER SCREW						1	
20		13116306		PRESSER LIFTING LEVER SPRING						1	
21		13116900		PRESSER LIFTING LEVER						1	
22		13116405		PRESSER LIFTING HOOK						1	
23		13116504		LIFTING LEVER ARM SPRING						1	
24		13116603		PRESSER LIFTING LEVER SPRING						1	
25		NM6060003SC		NUT M6						1	
26		NS6110420SP		NUT 11/64-40						1	
27		SM6061200SP		SCREW M6 L=12						1	
28		SS7110840SP		SCREW 11/64-40 L=7.8						2	
29		SS7111410TP		SCREW 11/64-40 L=14						1	
30		SM8050412TP		SCREW M5 L=4						1	
31		40034897		PRESSER ADJUSTING SCREW						1	
32		13115654		PRESSER BAR ASM.						1	
33		12288700		PRESSER REGULAT- OR SCREW WASHER						1	
34		13117106		PRESSER REGULATOR NUT						1	
35		13212709		PRESSER BAR COVER						1	
36		13170402		RUBBER RING						2	
37		13170402		RUBBER RING						1	
38		SM8040402TP		SCREW M4X0.7 L=4						1	
39		13213301		PRESSER BAR BUSHING						1	
40		SS6121020SP		SCREW 3/16-28 L=9.5						1	
41		13212808		ADJUSTING BASE						1	
42		13213012		ADJUSTING SCREW						1	
43		13212915		ADJUSTING BLOCK						1	
44		13123302		ADJUSTING SPRING						1	
45		SS7150740SP		SCREW 15/64-28 L=7						2	

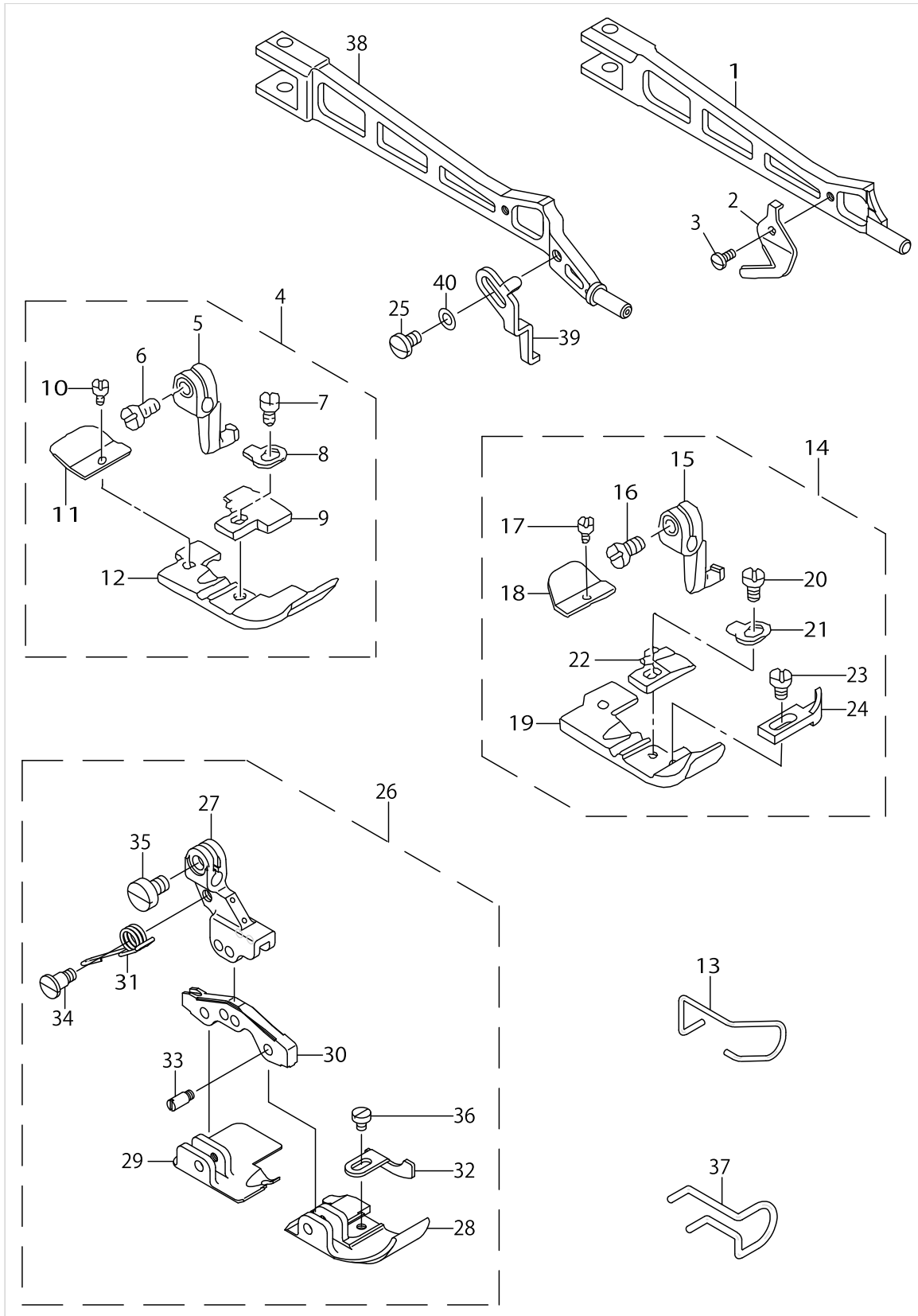
PRESSER FOOT COMPONENTS (1)



PRESSER FOOT COMPONENTS (1)

No.	Supply Code	Parts No.	Replacement	Parts name	Remarks	Choice	Step	Level	Cons	Qty	Rep. QTY
46		WP0460556SD		WASHER 4.6X7.5X0.5						1	
47		RE0300000K0		E-RING 3						1	
48		70004672		SLIDE BLOCK						1	
49		SS8080310TP		SCREW 1/8-44 L=2.8						1	

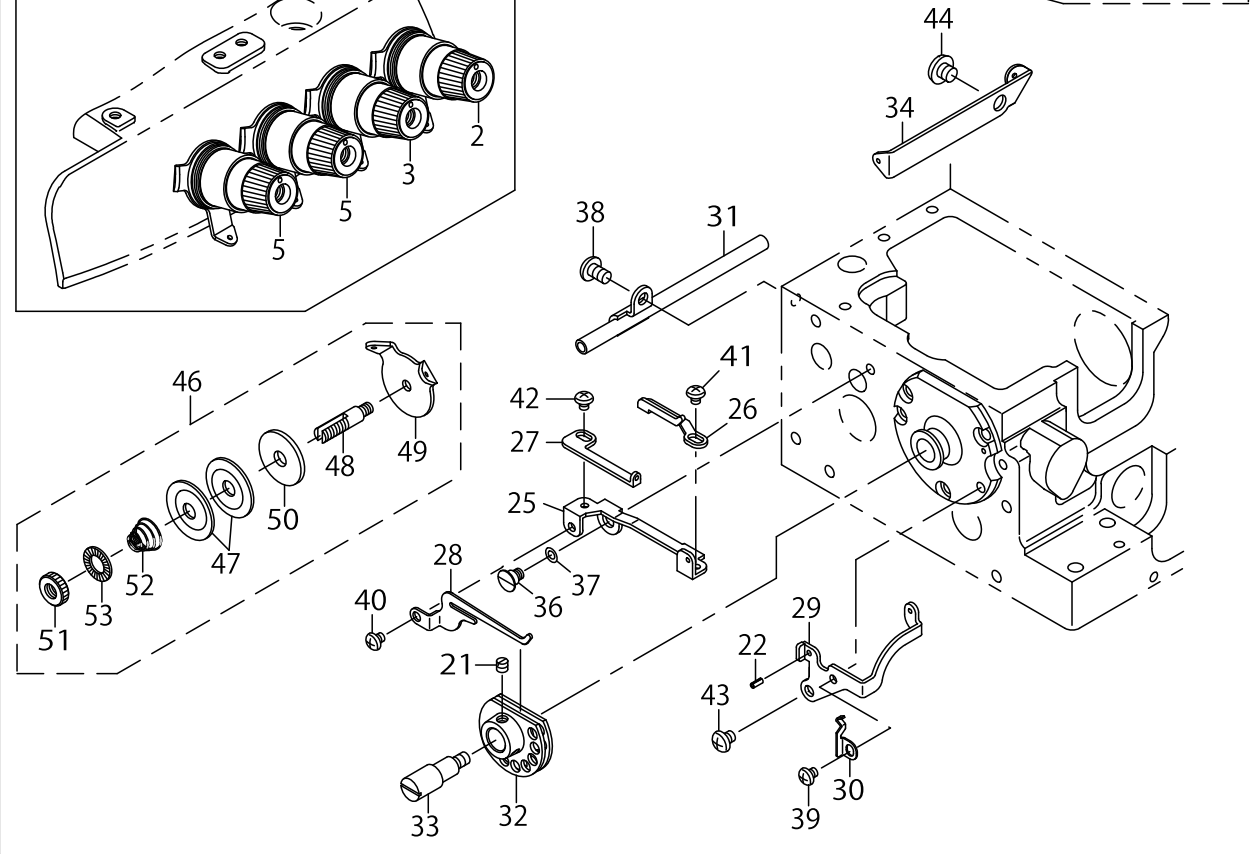
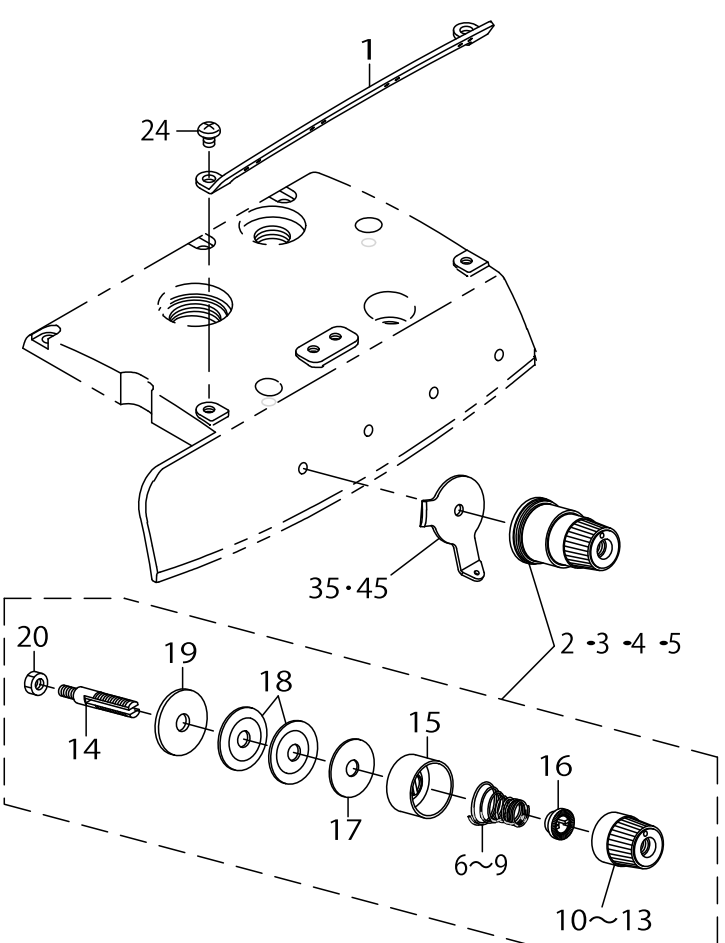
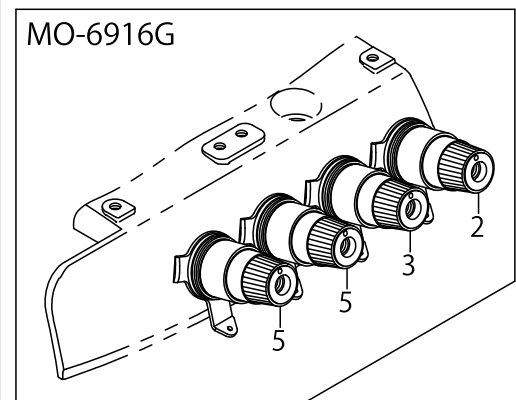
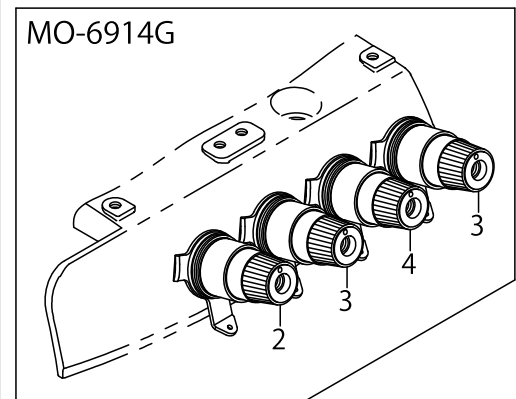
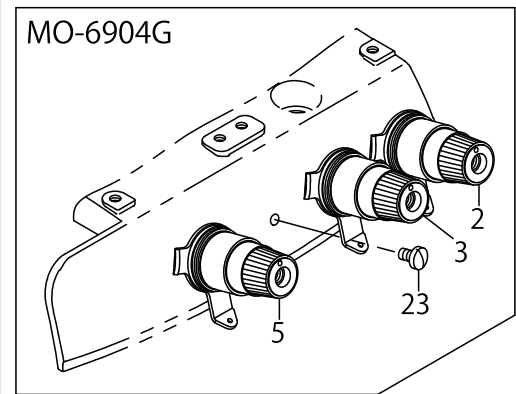
PRESSER FOOT COMPONENTS (2)



PRESSER FOOT COMPONENTS (2)

No.	Supply Code	Parts No.	Replacement	Parts name	Remarks	Choice	Step	Level	Cons	Qty	Rep. QTY
1		12253829		PRESSER FOOT ARM	FOR MO-6916G					1	
2		13116702		THREAD TRIMMER						1	
3		SS7060510SP		SCREW 3/32-56 L=4.8						1	
4		12381752		PRESSER FOOT COMPL.	FOR MO-6904G					1	
5		11651304		PRESSER FOOT HINGE				*		1	
6		SS6090670TP		SCREW 9/64-40 L=6				*		1	
7		SS7080520SP		SCREW 1/8-44 L=4.9				*		1	
8		B1508804000		SPRING				*		1	
9	R	11700408	11700457	STITCH TONGUE				*		1	1.00
10		SS6060340SP		SCREW 3/32-56 L=2.5				*		1	
11	D	11680709		REARPRESSERFOOT				*		1	
12		11680501		PRESSER FOOT				*		1	
13		11522802		FINGER GUARD	FOR MO-6-904G,MO-6914G					1	
14		12381158		PRESSER FOOT COMPL.	FOR MO-6914G					1	
15		11651304		PRESSER FOOT HINGE				*		1	
16		SS6090670TP		SCREW 9/64-40 L=6				*		1	
17		SS6060210SP		SCREW 3/32-56 L=1.9				*		1	
18		B1511814000		REARPRESSERFOOT				*		1	
19		12010807		PRESSER FOOT				*		1	
20		SS7080520SP		SCREW 1/8-44 L=4.9				*		1	
21		B1508804000		SPRING				*		1	
22		11700101		STITCH TONGUE				*		1	
23		SS6060440TP		SCREW 3/32-56 L=3.5				*		1	
24		B1510814000		CURL GUARD				*		1	
25		SS7080520SP		SCREW 1/8-44 L=4.9	FOR MO-6-904G,MO-6914G					1	
26		12381257		PRESSER FOOT ASM.	FOR MO-6916G					1	
27		12157319		PRESSER FOOT HINGE ARM				*		1	
28		12381208		FRONT PRESSER (FOR 16)				*		1	
29		12381307		REAR PRESSER (FOR 16)				*		1	
30		12168407		PRESSER FOOT HINGE				*		1	
31		12168506		PRESSER FOOT ARM SPRING				*		1	
32		12381406		CLOTH PRESSER				*		1	
33		11930708		PRESSER FOOT HINGE PIN				*		3	
34		B1514816000		SCREW				*		1	
35		SS6090670TP		SCREW 9/64-40 L=6				*		1	
36		SS6060340SP		SCREW 3/32-56 L=2.5				*		1	
37		12168803		FINGER GUARD	FOR MO-6916G					1	
38		12114120		PRESSER FOOT ARM	FOR MO-6-904G,MO-6914G					1	
39		12160800		STOPPER	FOR MO-6-904G,MO-6914G					1	
40		WP0320500SD		M3 WASHER	FOR MO-6-904G,MO-6914G					1	

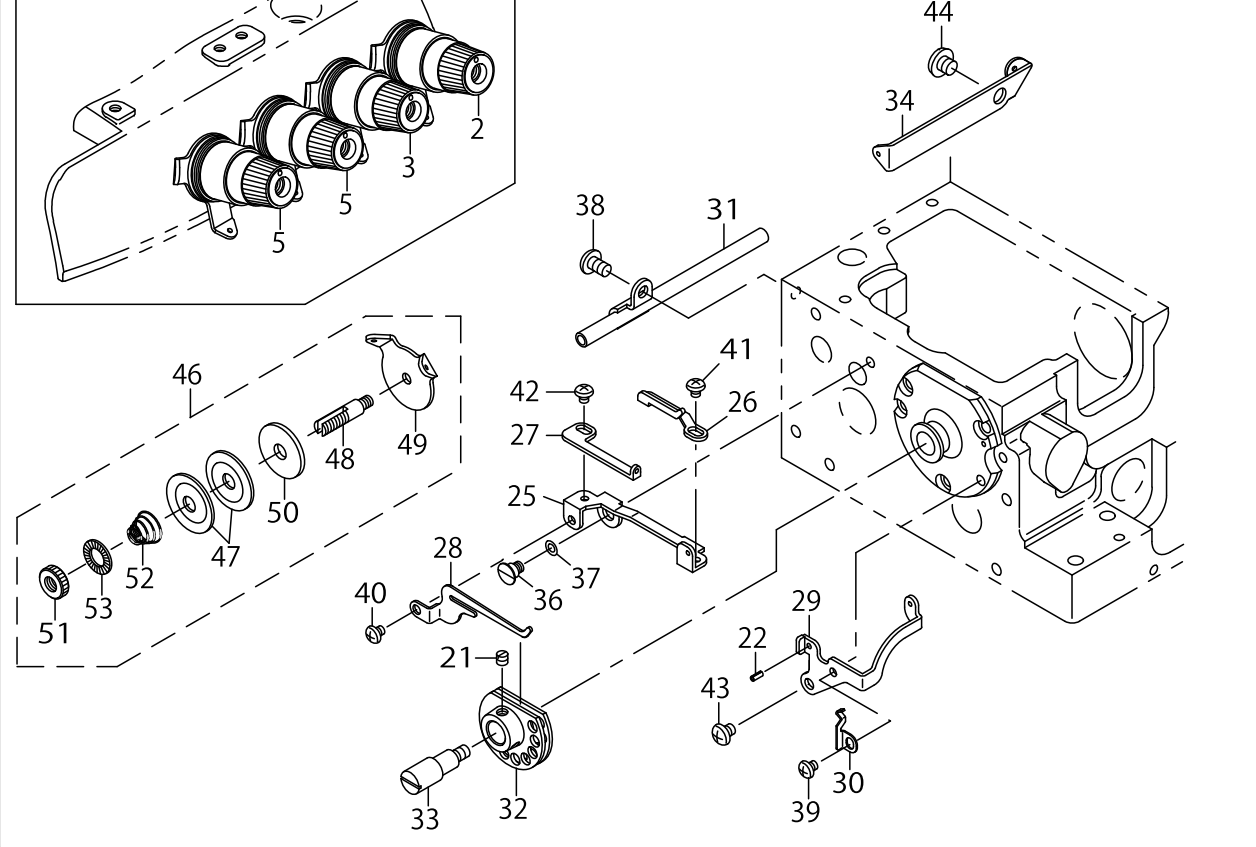
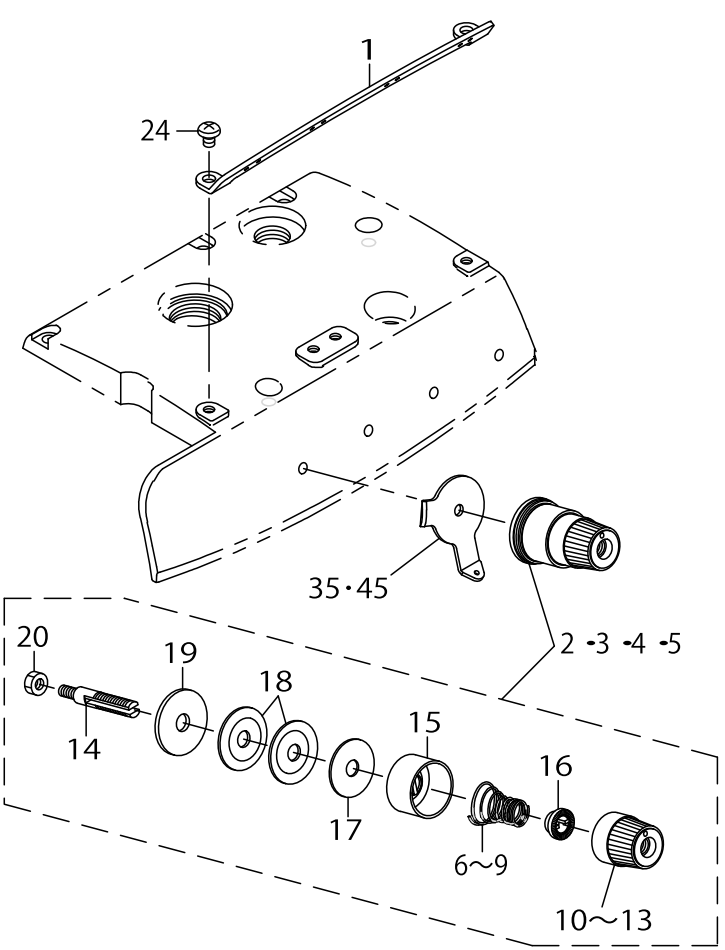
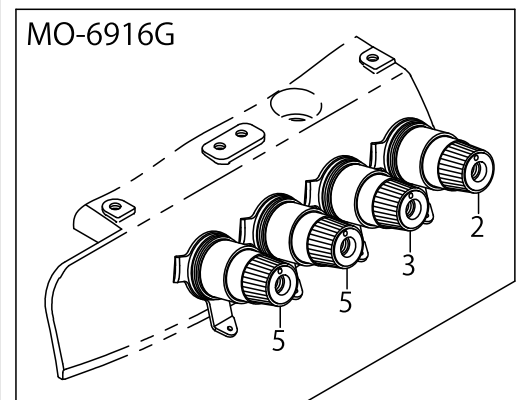
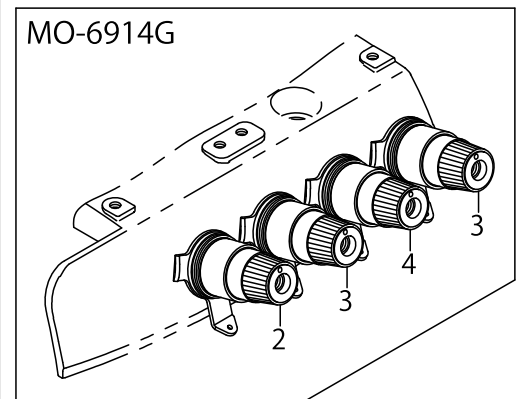
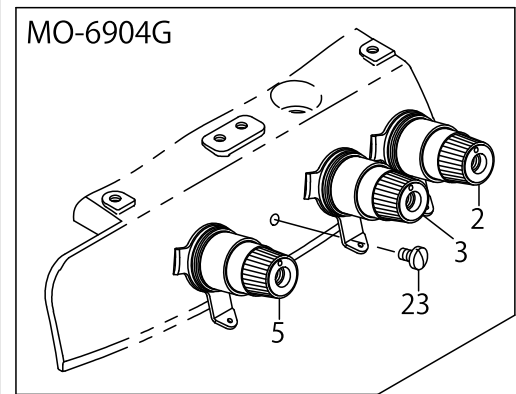
THREAD TENSION COMPONENTS



THREAD TENSION COMPONENTS

No.	Supply Code	Parts No.	Replacement	Parts name	Remarks	Choice	Step	Level	Cons	Qty	Rep. QTY
1		13225008		CENTER THREAD GUIDE						1	
2		13137559		THREAD TENSION SPRING COMPL.						1	
3		13138359		THREAD TENSION SPRING COMPL.	FOR MO-6-904G,MO--6916G (1 P-C. IS USED.)					1	
4		13138656		THREAD TENSION SPRING COMPL.	FOR MO-6914G(2 PC. ARE USED.)					1	
5		13140355		THREAD TENSION SPRING COMPL.	FOR MO-6-904G(1 PC. IS USED.)					1	
6		13138508		THREAD TENSION SPRING YELLOW	FOR MO-6-916G(2 PC. ARE USED.)			*		1	
7		13137807		THREAD TENSION SPRING RED				*		1	
8		13138805		THREAD TENSION SPRING BLUE				*		1	
9		13140207		THREAD TENSION SPRING PURPLE				*		1	
10		13137708		THREAD TENSION KNOB RED				*		1	
11		13138409		THREAD TENSION KNOB YELLOW				*		1	
12		13138706		THREAD TENSION KNOB BLUE				*		1	
13		13140108		THREAD TENSION KNOB PURPLE				*		1	
14	R	13138904	13137559	THREAD TENSION BAR		A	A:	*		1	1.00
14	R	13138904	13138359	THREAD TENSION BAR		B	B:	*		1	1.00
14	R	13138904	13138656	THREAD TENSION BAR		C	C:	*		1	1.00
15		13137609		THREAD TENSION DISK PRESSER				*		1	
16		13137906		SPRING BUSHING				*		1	
17		13138102		THREAD TENSION SPRING FELT				*		1	
18		13138201		THREAD TENSION DISK				*		2	
19		13138003		THREAD TENSION RUBBER WASHER				*		1	
20		NS6110420SP		NUT 11/64-40				*		1	
21		SS8110410TP		SCREW 11/64-40 L=3.5	FOR MO-6916G					2	
22		PS0200052KH		SPRING PIN 2.3X5	FOR MO-6916G					1	
23		SS7110710SL		SCREW 11/64-40 L=7.0	FOR MO-6904G					1	
24		SS4110615SP		SCREW 11/64-40 L=6						2	
25	R	12283602	13128202	THREAD GUIDE BASE	FOR MO-6916G					1	1.00
26	R	12283701	13128301	THREAD GUIDE A	FOR MO-6916G					1	1.00
27	R	12283800	13128400	THREAD GUIDE B	FOR MO-6916G					1	1.00
28		13128509		LOWER THREAD CAM HOOK	FOR MO-6916G					1	
29		13128608		LOWER THREAD GUIDE	FOR MO-6916G					1	
30		13128707		THREAD GUIDE BASE SPRING	FOR MO-6916G					1	
31		13129259		MOUNTING BRACKET ASM.	FOR MO-6916G					1	
32	R	12347555	13129457	LOWER THREAD CAM COMPL.	FOR MO-6916G					1	1.00
33		13130000		LOWER THREAD CAM SHAFT	FOR MO-6916G					1	
34		13129101		LOWER THREAD CONDUIT GUIDE	FOR MO-6916G					1	
35		13225107		TESION DISK THREAD GUIDE	FOR MO-6-914G,MO-6916G					4	
36		SD0600341TP		HINGE SCREW D=6.0 H=3.4	FOR MO-6916G					1	

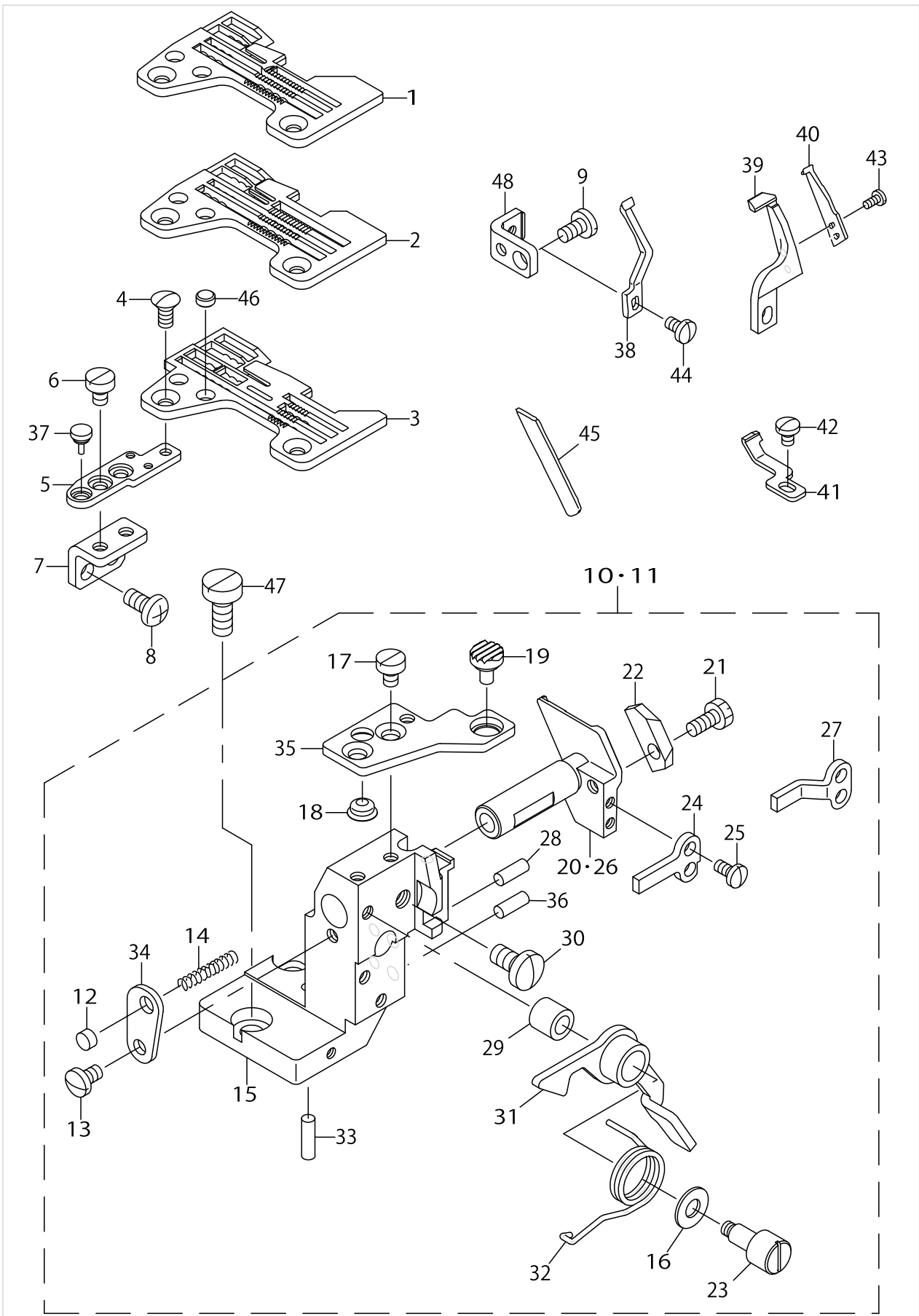
THREAD TENSION COMPONENTS



THREAD TENSION COMPONENTS

No.	Supply Code	Parts No.	Replacement	Parts name	Remarks	Choice	Step	Level	Cons	Qty	Rep. QTY
37		WZ0640312K0		WAVED WASHER	FOR MO-6916G					1	
38		SM4050855SP		SCREW M5 L=8	FOR MO-6916G					1	
39		SS4090415SP		SCREW 9/64-40 L=4	FOR MO-6916G					1	
40		SS4090415SP		SCREW 9/64-40 L=4	FOR MO-6916G					1	
41		SS4090415SP		SCREW 9/64-40 L=4	FOR MO-6916G					1	
42		SS4090415SP		SCREW 9/64-40 L=4	FOR MO-6916G					1	
43		SS4110515SP		SCREW 11/64-40 L=5	FOR MO-6916G					1	
44		SS5150510SP		SCREW 15/64-28 L=5	FOR MO-6916G					1	
45		13225107		TESION DISK THREAD GUIDE	FOR MO-6904G					3	
46		13139555		THREAD TENSION POST CONPL.	FOR MO-6916G					1	
47		13138201		THREAD TENSION DISK				*		2	
48	R	13140009	13139555	THREAD TENSION POST				*		1	1.00
49		13139605		TESION DISK THREAD GUIDE				*		1	
50		13139902		THREAD TENSION SPRING FELT				*		1	
51		13139803		THREAD TENSION NUT				*		1	
52		13139704		THREAD TENSION SPRING				*		1	
53		22921407		ROTATION STOPPER				*		1	

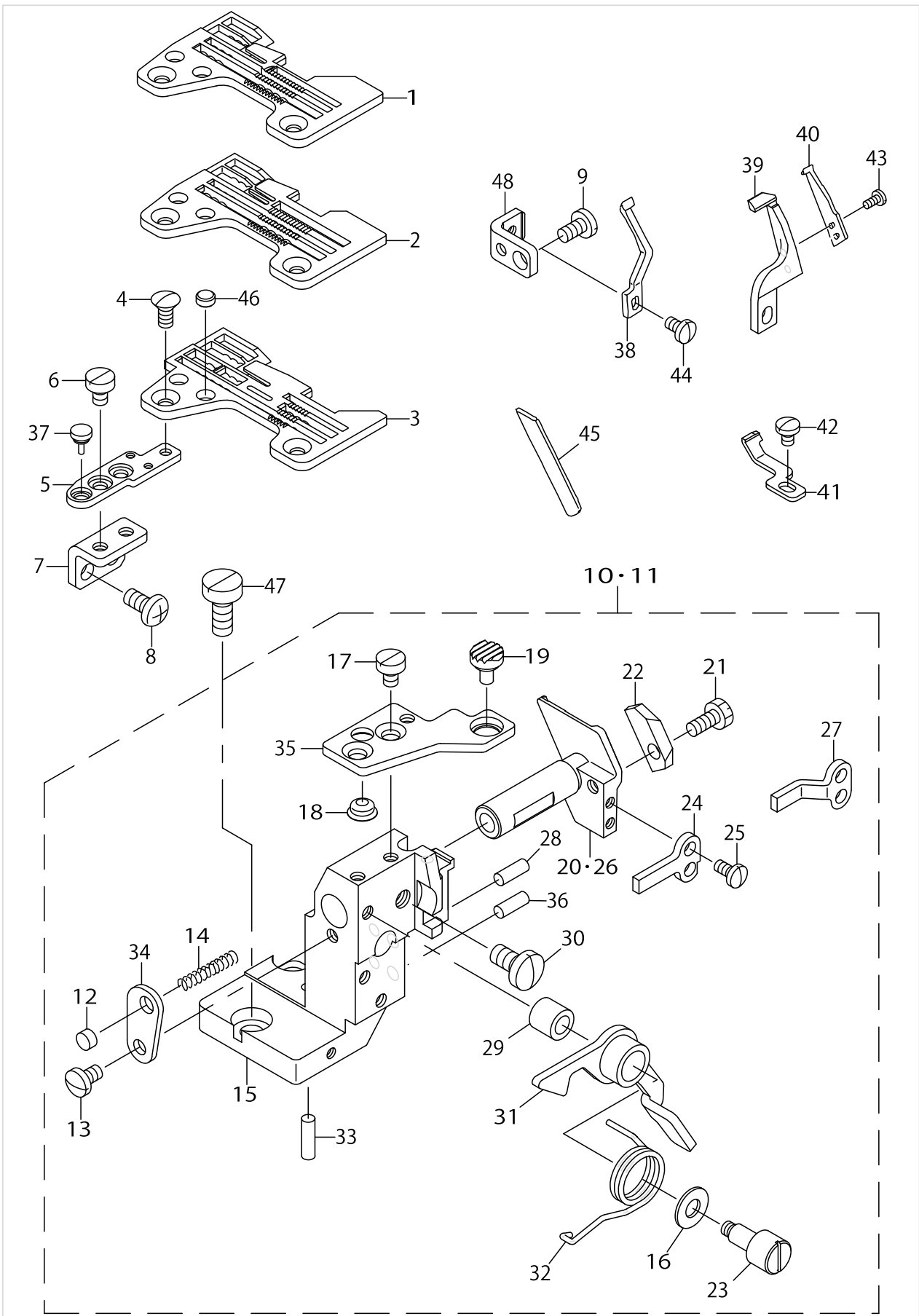
LOWER KNIFE COMPONENTS



LOWER KNIFE COMPONENTS

No.	Supply Code	Parts No.	Replacement	Parts name	Remarks	Choice	Step	Level	Cons	Qty	Rep. QTY
1		R4300J6FL00		THROAT PLATE	FOR MO-6904G					1	
2		R4306J6HJ00		THROAT PLATE	FOR MO-6914G					1	
3		R4612J6HL00		THROAT PLATE	FOR MO-6916G					1	
4		SS2110910SL		SCREW 11/64-40 L=9						2	
5		11848603		THROAT PLATE BASE C						1	
6		SS6110610TP		SCREW 11/64-40 L=6						2	
7		12378303		THROAT PLATE BASE B RETAINER						1	
8		SM4051055SP		SCREW						2	
9		SS7110840SP		SCREW 11/64-40 L=7.8						1	
10		12377552		LOWER KNIFE BRACKET ASM.	FOR MO-6-904G,MO-6914G					1	
11		12377586		LOWER KNIFE BRACKET ASM.	FOR MO-6916G					1	
12	R	11806304	13102702	PLUG				*		1	1.00
13		SS7110720SP		SCREW 11/64-40 L=7				*		1	
14		11846607		SPRING				*		1	
15	R	12132619	13232657	LOWER KNIFE BRACKET				*		1	1.00
16		WP0621036SP		WASHER				*		1	
17		SS6110610TP		SCREW 11/64-40 L=6				*		2	
18		12103701		RUBBER PLUG B				*		1	
19	R	12103602	13235304	RUBBER PLUG A				*		1	1.00
20	R	12132700	13149505	LOWER KNIFE SLIDE STUD	FOR MO-6-904G,MO-6914G			*		1	1.00
21		SS9111010SP		SCREW 11/64-40 L=9.5				*		1	
22		12377602		LOWER KNIFE PRESSER				*		1	
23		12378204		LEVER SHAFT				*		1	
24	D	12377701		ROTATING STOPPER	FOR MO-6-904G,MO-6914G			*		1	
25		SS7090710SP		SCREW 9/64-40 L=6.8				*		2	
26		12377800		LOWER KNIFE SLIDE SHAFT	FOR MO-6916G			*		1	
27		12377909		ROTATING STOPPER	FOR MO-6916G			*		1	
28		11846805		HOLDER PIN				*		1	
29	R	12103107	13148903	RUBBER PLUG				*		1	1.00
30		SS7151120SP		SCREW 15/64-28L=11				*		1	
31	R	12102950	13148556	LEVER ASM.				*		1	1.00
32	R	12378006	12133666	SPRING		B	MO-3916.-MOR-3916.3916E	*		1	1.00
32	R	12378006	12377586	SPRING		D	MOJ-3916.-MOG-3716-.MO-6916G.-6916J	*		1	1.00
32	R	12378006	12377560	SPRING		E	MOJ-3904	*		1	1.00
32	R	12378006	12377552	SPRING		F	MOJ-3914.-MOG-3704-.3714.MO-6904G.-6914G	*		1	1.00
32	R	12378006	13232657	SPRING		G	MO-6104D.-6114D	*		1	1.00
32	R	12378006	13232756	SPRING		H	MO-6116D	*		1	1.00
32	R	12378006	13232657	SPRING				*		1	1.00
32	R	12378006	12257267	SPRING				*		1	1.00
33	R	12133708	12133666	HOLDER PIN		B	MO-3916, MOR-3916/3916E	*		1	1.00
33	R	12133708	12377586	HOLDER PIN		D	MOJ-3916, MOG-3716, MO-6916G/6916J	*		1	1.00

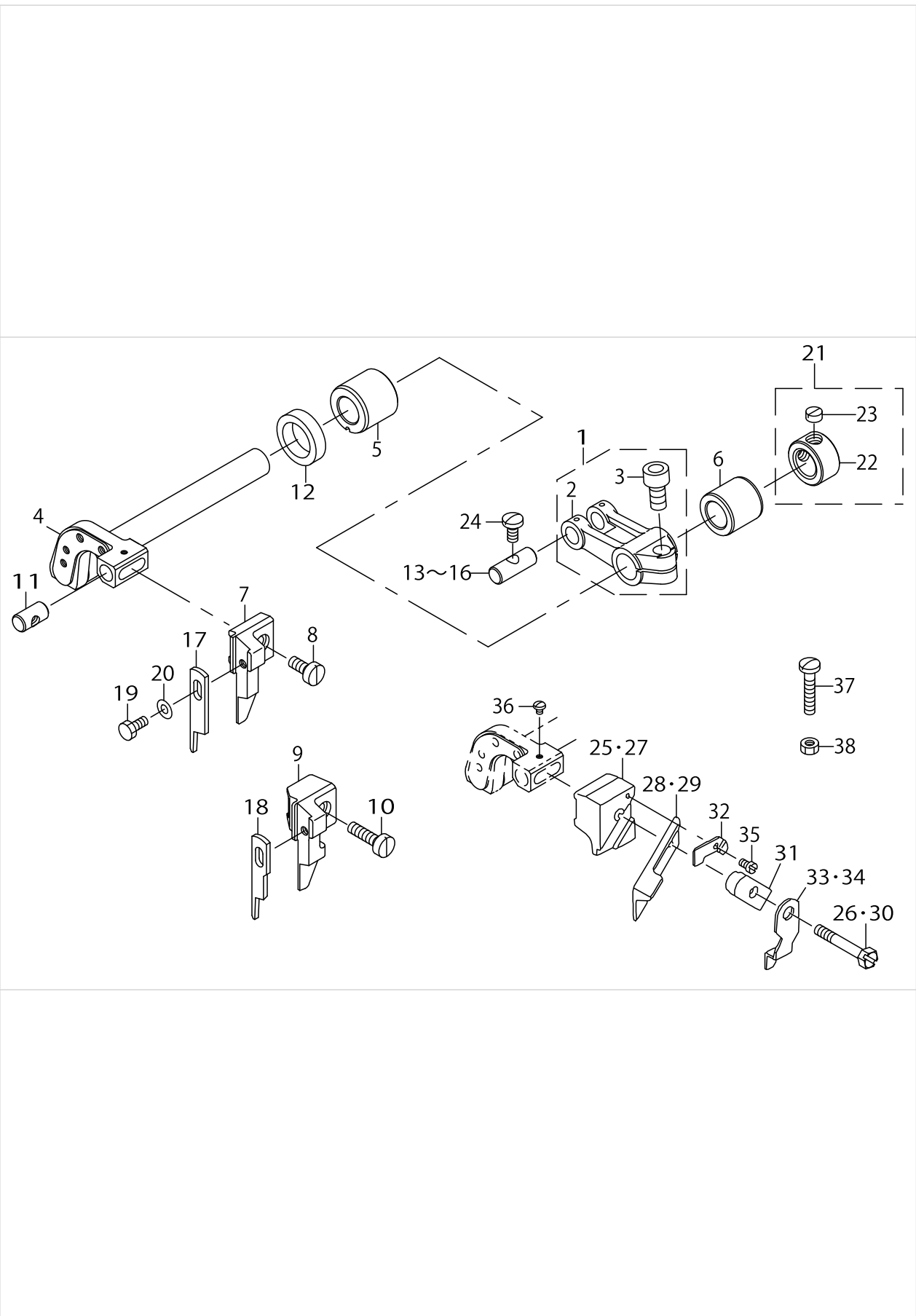
LOWER KNIFE COMPONENTS



LOWER KNIFE COMPONENTS

No.	Supply Code	Parts No.	Replacement	Parts name	Remarks	Choice	Step	Level	Cons	Qty	Rep. QTY
33	R	12133708	12377560	HOLDER PIN		F	MOJ-3904	*		1	1.00
33	R	12133708	12377552	HOLDER PIN		G	MOJ-3914, MOG-3704- /3714, MO- -6904G/6914G	*		1	1.00
33	R	12133708	13232657	HOLDER PIN		H	MO-6104D/6114D	*		1	1.00
33	R	12133708	13232756	HOLDER PIN		I	MO-6116D	*		1	1.00
33	R	12133708	13232657	HOLDER PIN				*		1	1.00
33	R	12133708	12257267	HOLDER PIN				*		1	1.00
34	R	12133211	13149307	SPRING STOPPER				*		1	1.00
35	R	12378105	12377552	THROAT PLATE BASE A	FOR MO-6- 914G,MO-6916G			*		1	1.00
36	R	12133708	12133666	HOLDER PIN		B	MO-3916, MOR-3916/3916E	*		1	1.00
36	R	12133708	12377586	HOLDER PIN		D	MOJ-3916, MOG-3716, MO-6916G/6916J	*		1	1.00
36	R	12133708	12377560	HOLDER PIN		F	MOJ-3904	*		1	1.00
36	R	12133708	12377552	HOLDER PIN		G	MOJ-3914, MOG-3704- /3714, MO- -6904G/6914G	*		1	1.00
36	R	12133708	13232657	HOLDER PIN		H	MO-6104D/6114D	*		1	1.00
36	R	12133708	13232756	HOLDER PIN		I	MO-6116D	*		1	1.00
36	R	12133708	13232657	HOLDER PIN				*		1	1.00
36	R	12133708	12257267	HOLDER PIN				*		1	1.00
37		11804606		RUBBER PLUG						1	
38		12015509		NEEDLE GUARD	FOR MO-6- 904G,MO-6914G					1	
39		12015301		NEEDLE HOLDER	FOR MO-6916G					1	
40		12015400		NEEDLE HOLDER	FOR MO-6916G					1	
41		12384509		NEEDLE HOLDER	FOR MO-6916G					1	
42		SS7090510SP		SCREW 9/64-40 L=4.6	FOR MO-6916G					1	
43		SS7060510SP		SCREW 3/32-56 L=4.8	FOR MO-6916G					2	
44		SS7090610SP		SCREW 9/64-40 L=6						1	
45		11566502		LOWER KNIFE						1	
46		13102702		THROAT PLATE COVER						2	
47		SS6151440SP		SCREW 15/64-28L=14						2	
48		13151105		NEEDLE HOLDER SUPPORT						1	

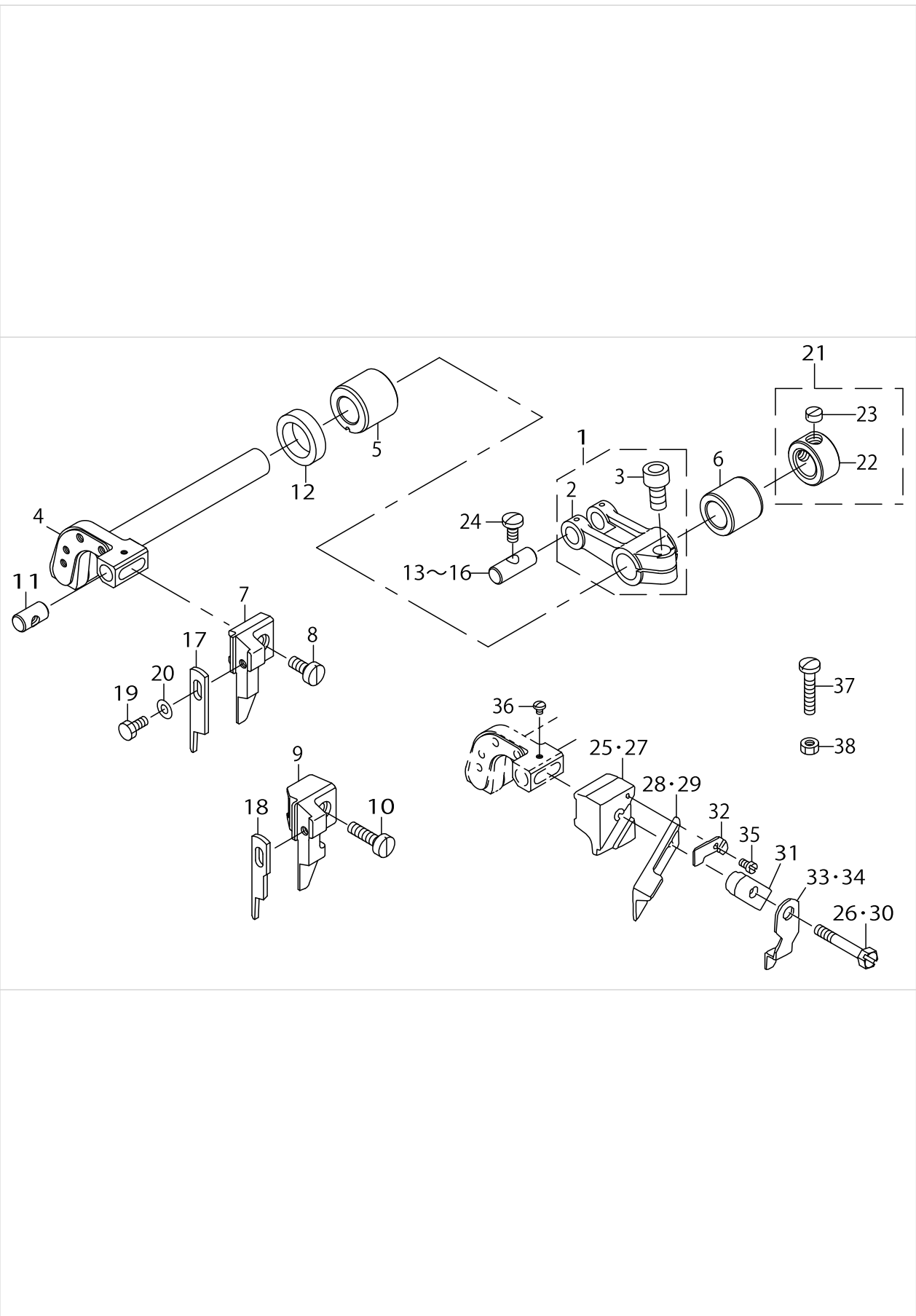
UPPER KNIFE COMPONENTS



UPPER KNIFE COMPONENTS

No.	Supply Code	Parts No.	Replacement	Parts name	Remarks	Choice	Step	Level	Cons	Qty	Rep. QTY
1		13147558		FEED FORKED ARM ASM.						1	
2	R	13147509	13147558	FEED FORKED ARM				*		1	1.00
3		SM6061402TP		SCREW M6 L=14				*		1	
4		13151303		KNIFE DRIVING ARM SHAFT						1	
5		13150909		BUSHING FRONT						1	
6		13151006		BUSHING REAR						1	
7		13147400		PLAIN KNIFE SUPPORT A	FOR MO-6-904G.MO--6914G (EXCEPT JE)					1	
8		SS6111040SP		SCREW 11/64-40 L=9.5	FOR MO-6-904G.MO--6914G (EXCEPT JE)					1	
9		12004800		UPPER KNIFE SUPPORT	FOR MO-6-916G(EXCEPT JE)					1	
10		SS6111610SP		SCREW11/64-40L=16	FOR MO-6-916G(EXCEPT JE)					1	
11		13150800		UPPER KNIFE GUIDE SHAFT						1	
12		11566809		OIL SEAL						1	
13		13122007		CRANK PIN A	SELECTIVE PARTS					1	
14		13122106		CRANK PIN B	SELECTIVE PARTS					1	
15		13122205		CRANK PIN C	SELECTIVE PARTS					1	
16		13122304		CRANK PIN D	SELECTIVE PARTS					1	
17		13150503		PLAIN KNIFE	FOR MO-6-914G(EXCEPT JE)					1	
18		12004909		KNIFE	FOR MO-6-904G.MO--6916G (EXCEPT JE)					1	
19		SS9090823TP		SCREW 9/64-40 L=8	EXCEPT JE					1	
20		WP0370316SD		WASHER 3.7X8X0.3	EXCEPT JE					1	
21		CS111101HSH		THRUST COLLAR ASM.						1	
22		CS1111019SH		THRUST COLLAR D=11.11 W=10				*		1	
23		SS8660330SP		SCREW 1/4-40 L=3.0				*		2	
24		SS7110840SP		SCREW 11/64-40 L=7.8						1	
25		11598000		UPPER KNIFE SUPPORT	FOR MO-6-904G.MO--6914G(FOR JE)					1	
26		SS9111610SP		SCREW11/64-40L=16	FOR MO-6-904G.MO--6914G(FOR JE)					1	
27		11565405		UPPER KNIFE SUPPORT	FOR MO-6-916G(FOR JE)					1	
28		11565900		UPPER KNIFE	FOR MO-6-904G.MO--6916G(FOR JE)					1	
29		B411180400E		UPPER KNIFE	FOR MO-6-914G(FOR JE)					1	
30		SS9112420TP		SCREW11/64-40L=24	FOR MO-6-916G(FOR JE)					1	
31		11565504		UPPER KNIFE PRESSER PLATE	FOR JE					1	
32		11565702		WASHER	FOR JE					1	
33		11565603		UPPER KNIFE COVER	FOR MO-6-904G.MO--6916G(FOR JE)					1	
34		11848405		UPPER KNIFE COVER	FOR MO-6-914G(FOR JE)					1	
35		SS4060310SP		SCREW 3/32-56 L=2.5	FOR JE					1	
36		SS4060310SP		SCREW 3/32-56 L=2.5	FOR JE					1	
37		SS7092110TP		SCREW 9/64-40 L=21	FOR MO-6-916G(FOR JE)					1	

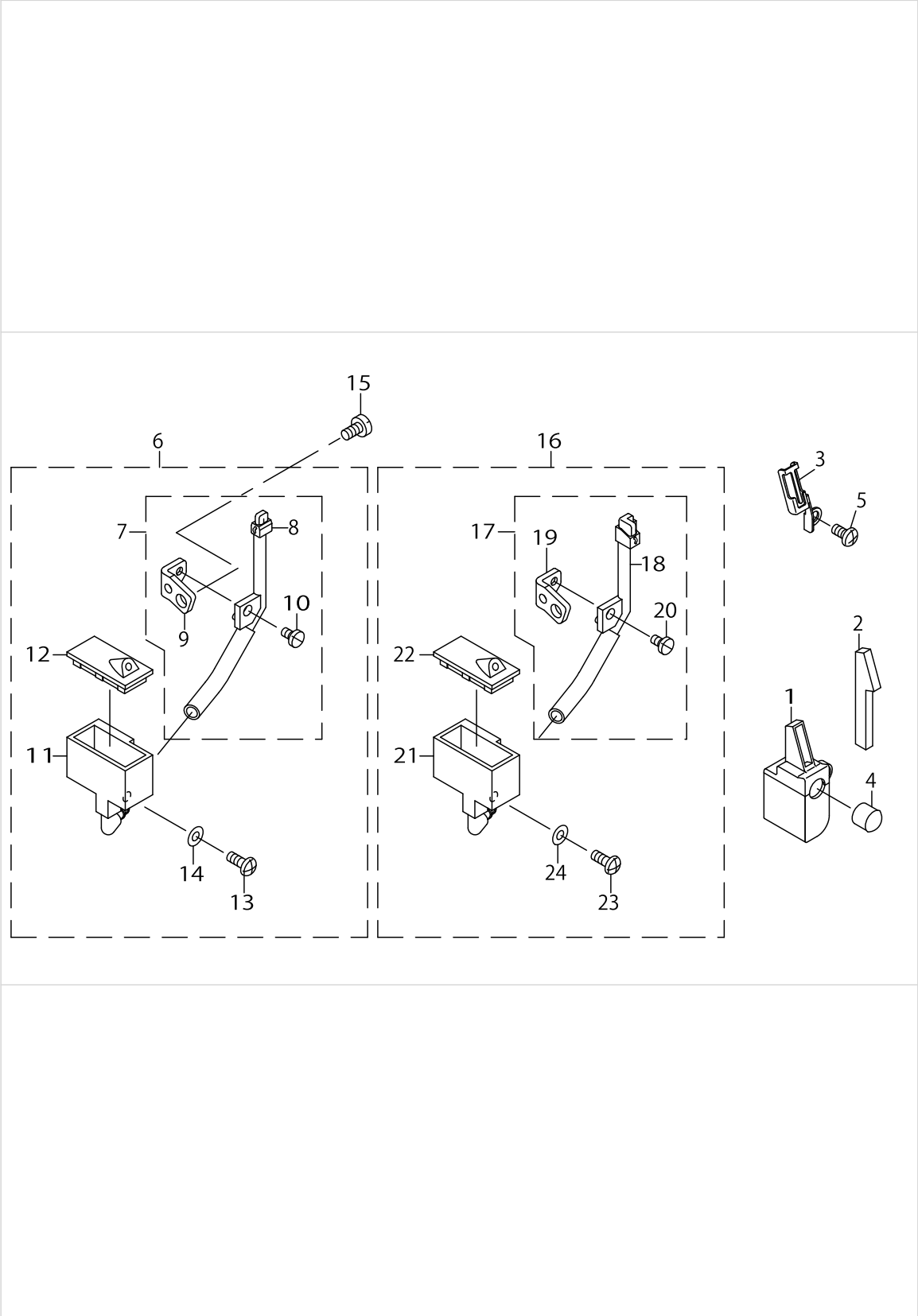
UPPER KNIFE COMPONENTS



UPPER KNIFE COMPONENTS

No.	Supply Code	Parts No.	Replacement	Parts name	Remarks	Choice	Step	Level	Cons	Qty	Rep. QTY
38		NS6090310SP		NUT 9/64-40	FOR MO-6-916G(FOR JE)					1	

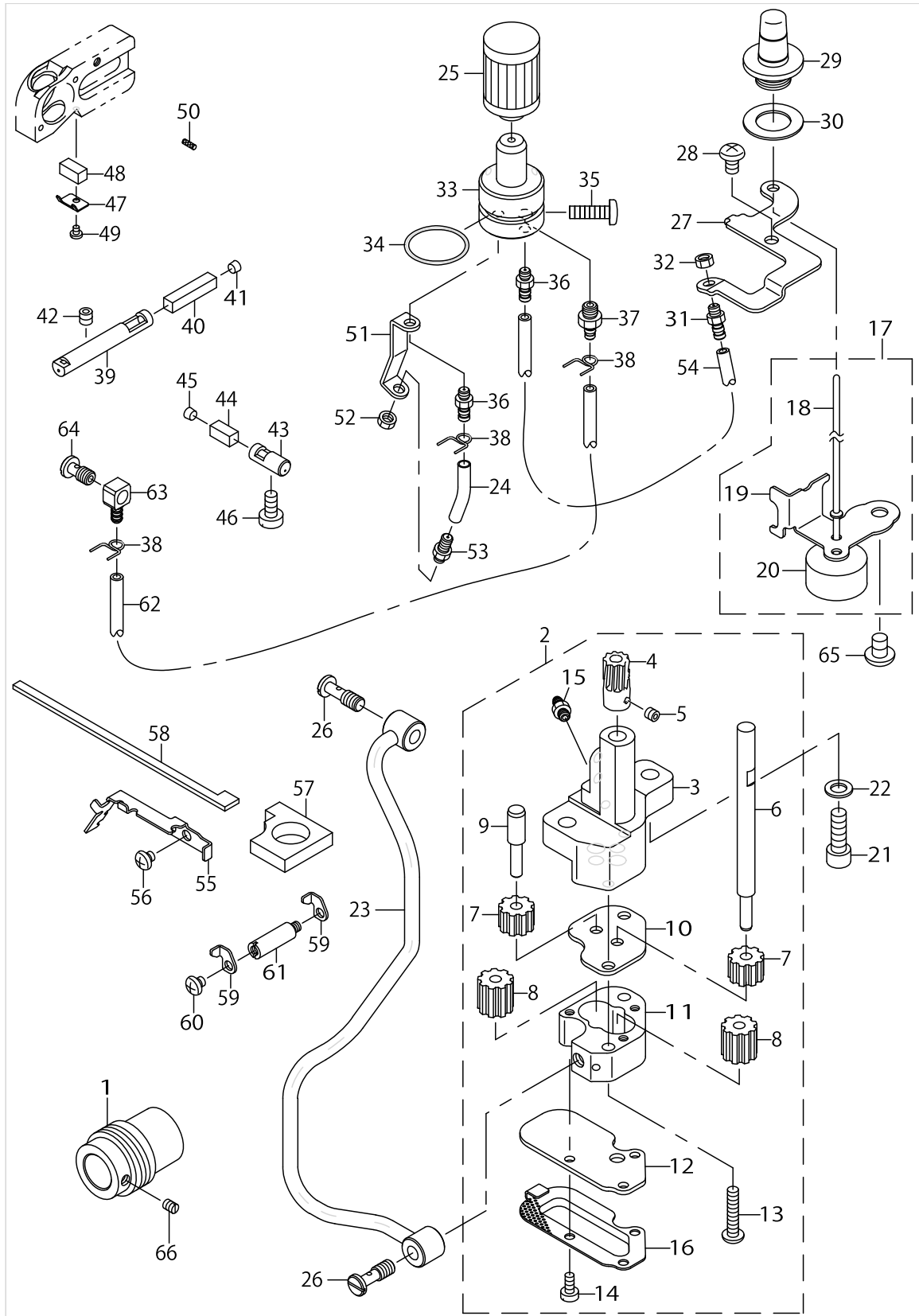
NEEDLE COOLING MECHANISM COMPONENTS



NEEDLE COOLING MECHANISM COMPONENTS

No.	Supply Code	Parts No.	Replacement	Parts name	Remarks	Choice	Step	Level	Cons	Qty	Rep. QTY
1		13163456		SILICON TANK ASM.						1	
2		13163803		NEEDLE THREAD FELT						1	
3		13163902		NEEDLE THREAD FELT PRESSER						1	
4		TA0950806R0		RUBBER PLUG						1	
5		SM4041055SP		SCREW						1	
6		13162557		NEEDLE COOLER U-NIT ASM. (OVER)	FOR MO-6-904G,MO-6914G					1	
7	R	13162565	13162581	NEEDLE COOLER UNIT COMPL.				*		1	1.00
8	R	13162573	13162581	NEEDLE COOLER U-NIT ASM. (OVER)				*		1	1.00
9		13162805		NEEDLE COOLER SUPPORT				*		1	
10		SS7090610SP		SCREW 9/64-40 L=6				*		1	
11		13162904		TANK				*		1	
12		13163001		TANK COVER				*		1	
13		SS4091015SP		SCREW 9/64-40 L=10				*		1	
14		WP0371026SD		WASHER 3.7X7X1				*		1	
15		SS7110840SP		SCREW 11/64-40 L=7.8						1	
16		13163159		NEEDLE COOLER U-NIT ASM.(INTER)	FOR MO-6916G					1	
17	R	13163167	13163183	NEEDLE COOLER COMPL.(INTER)				*		1	1.00
18	R	13163175	13163183	NEEDLE COOLER ASM.(INTER)				*		1	1.00
19		13162805		NEEDLE COOLER SUPPORT				*		1	
20		SS7090610SP		SCREW 9/64-40 L=6				*		1	
21		13162904		TANK				*		1	
22		13163001		TANK COVER				*		1	
23		SS4091015SP		SCREW 9/64-40 L=10				*		1	
24		WP0371026SD		WASHER 3.7X7X1				*		1	

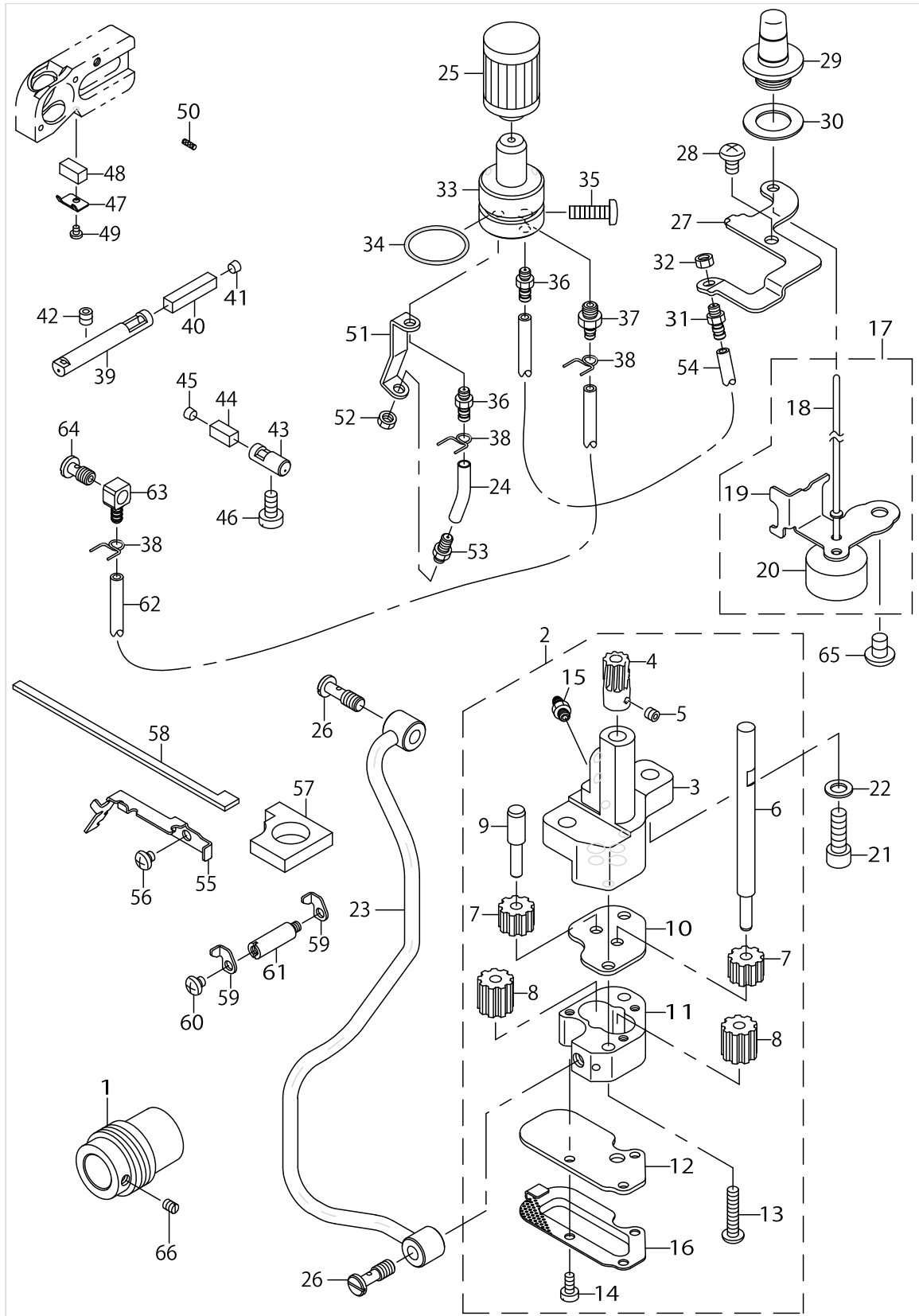
LUBRICATION MECHANISM COMPONENTS



LUBRICATION MECHANISM COMPONENTS

No.	Supply Code	Parts No.	Replacement	Parts name	Remarks	Choice	Step	Level	Cons	Qty	Rep. QTY
1	R	40019900	13230305	WORM						1	1.00
2		40018044		OIL PUMP ASM.						1	
3	R	12315909	40018044	OIL PUMP				*		1	1.00
4		13343009		WORM WHEEL				*		1	
5		SM8050412TP		SCREW M5 L=4				*		2	
6	R	11918109	40018044	GEAR PUMP SHAFT LARGE				*		1	1.00
7	R	B3534352000	13228309	PINION GEAR				*		2	1.00
8		11840303		OIL PUMP PINION				*		2	
9	R	12317004	40018044	GEAR PUMP SHAFT		A	MO6700/6900G	*		1	1.00
9	R	12317004	40018045	GEAR PUMP SHAFT		B	MO6900R/6900J	*		1	1.00
10	R	12316006	40018044	PINION SPACER				*		1	1.00
11	D	12316105		CASING				*		1	
12	R	40016762	40018044	PUMP COVER		A	MO-6700.6900G.S	*		1	1.00
12	R	40016762	40018045	PUMP COVER		B	MO-6900C.J.R	*		1	1.00
12	R	40016762	40109455	PUMP COVER				*		1	1.00
13		SS4112215SP		SCREW 11/64-40L=22				*		2	
14		SS6090810SP		SCREW 9/64-40 L=7.5				*		3	
15		SQ1110401MZ		CONNECTING SCREW				*		1	
16		40016763		PUMP NET				*		1	
17		13229356		FLOAT ASM.						1	
18		12129904		OIL GAUGE BAR				*		1	
19		13229307		FLOAT SUPPORT				*		1	
20		12129805		FLOAT				*		1	
21		SM6061802TP		SCREW M6 L=18						2	
22		WP0651056SD		WASHER 6.5X11X1						2	
23		13228655		LUBRICATION MEC- HANISM PIPE ASM.						1	
24		BP30000010R		VINYL PIPE						.03	
25		13142500		CARTRIDGE FILTER						1	
26		SQ1150454SD		CONNECTING SCREW						2	
27	D	13143805		EXHAUST PORT SUPPORT						1	
28		SM4050855SP		SCREW						1	
29		13143300		OIL GAUGE						1	
30		13144001		OIL GAUGE GASKET						1	
31		SQ1110451MZ		CONNECTING SCREW						1	
32		NS6110310SP		NUT 11/64-40						1	
33		13142955		FILTER GUIDE ASM.						1	
34		13170808		RUBBER RING						1	
35		SM4051601SC		SCREW M5X0.8 L=16						1	
36		SQ1110451MZ		CONNECTING SCREW						2	
37		SQ1150451MZ		CONNECTING SCREW						1	
38		13142609		OIL TUBE HOLDER						3	
39		13144100		OILING PIN						1	
40		13144209		OIL FELT						1	
41		TA0400301M0		PLUG D=4X4.5 L=3						1	
42		SM8050502TP		SCREW M5 L=5						1	
43		13143417		OILING PIN						1	

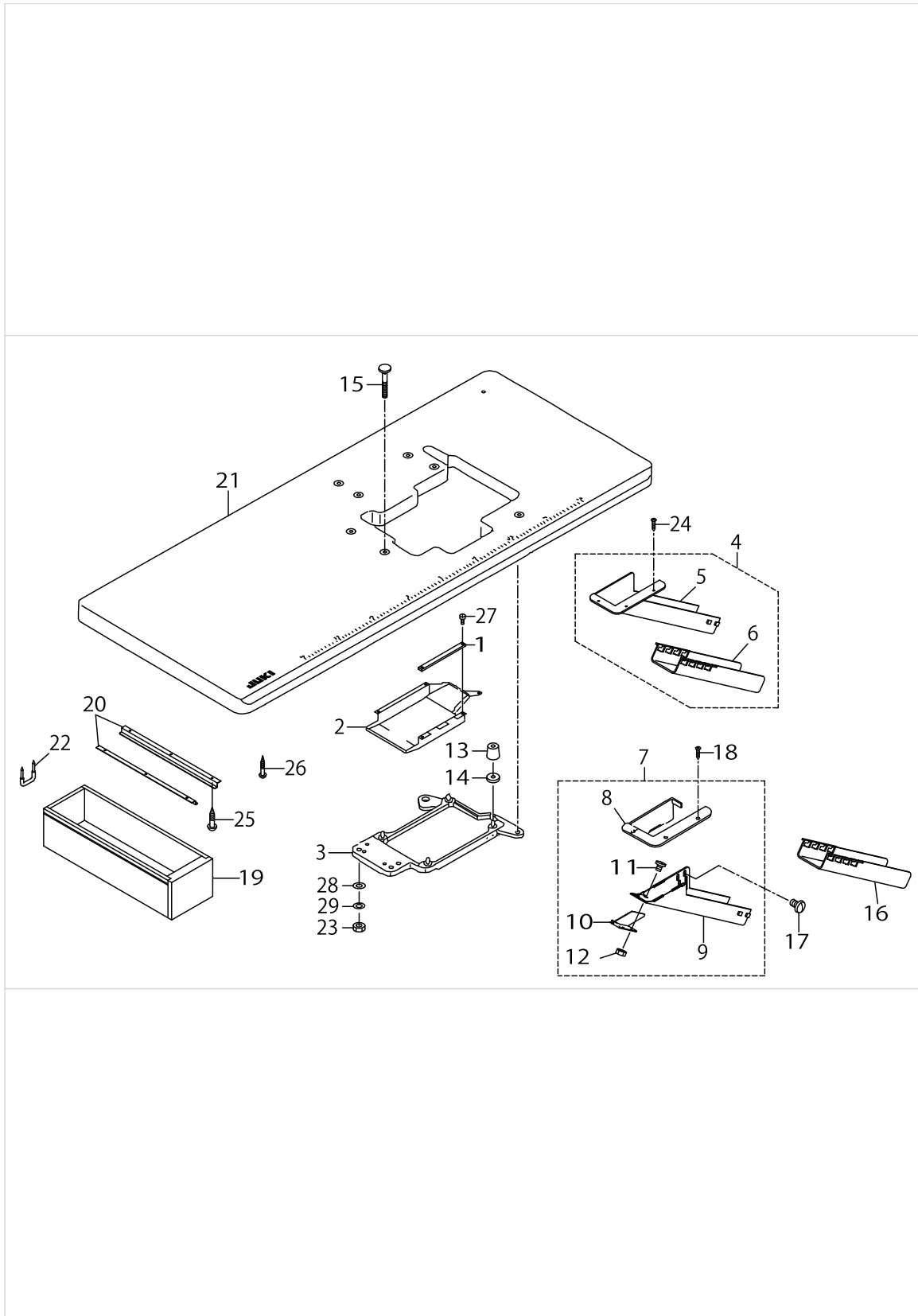
LUBRICATION MECHANISM COMPONENTS



LUBRICATION MECHANISM COMPONENTS

No.	Supply Code	Parts No.	Replacement	Parts name	Remarks	Choice	Step	Level	Cons	Qty	Rep. QTY
44		13143508		OIL FELT						1	
45		13230107		OIL PLUG						1	
46		SS6121020SP		SCREW 3/16-28 L=9.5						1	
47		13230008		OIL FELT PRESSER						1	
48		13143706		OIL FELT						1	
49		SS7060310SP		SCREW 3/32-56 L=3						1	
50		CQ202000000		OIL WICK						.06	
51		13229208		WORM EXHAUST PORT GUIDE						1	
52		NS6110310SP		NUT 11/64-40						1	
53		SQ1110451MZ		CONNECTING SCREW						1	
54		23630007		TUBE						.17	
55		13228804		OIL FELT GUIDE						1	
56		31018005		SCREW						2	
57		13229109		OIL FELT B						1	
58		13229406		OIL FELT A						1	
59		13228903		OIL FELT PRESSER						2	
60		31018005		SCREW						1	
61		13229000		FELT PRESSER SPACER						1	
62		BP30000010R		VINYL PIPE						.29	
63		SQ0000451MZ		CONNECTING SCREW						1	
64		SQ1150441SD		CONNECTING SCREW						1	
65		SM4060801SE		SCREW						1	
66		SS8110520TP		SCREW 11/64-40 L=4.5						1	

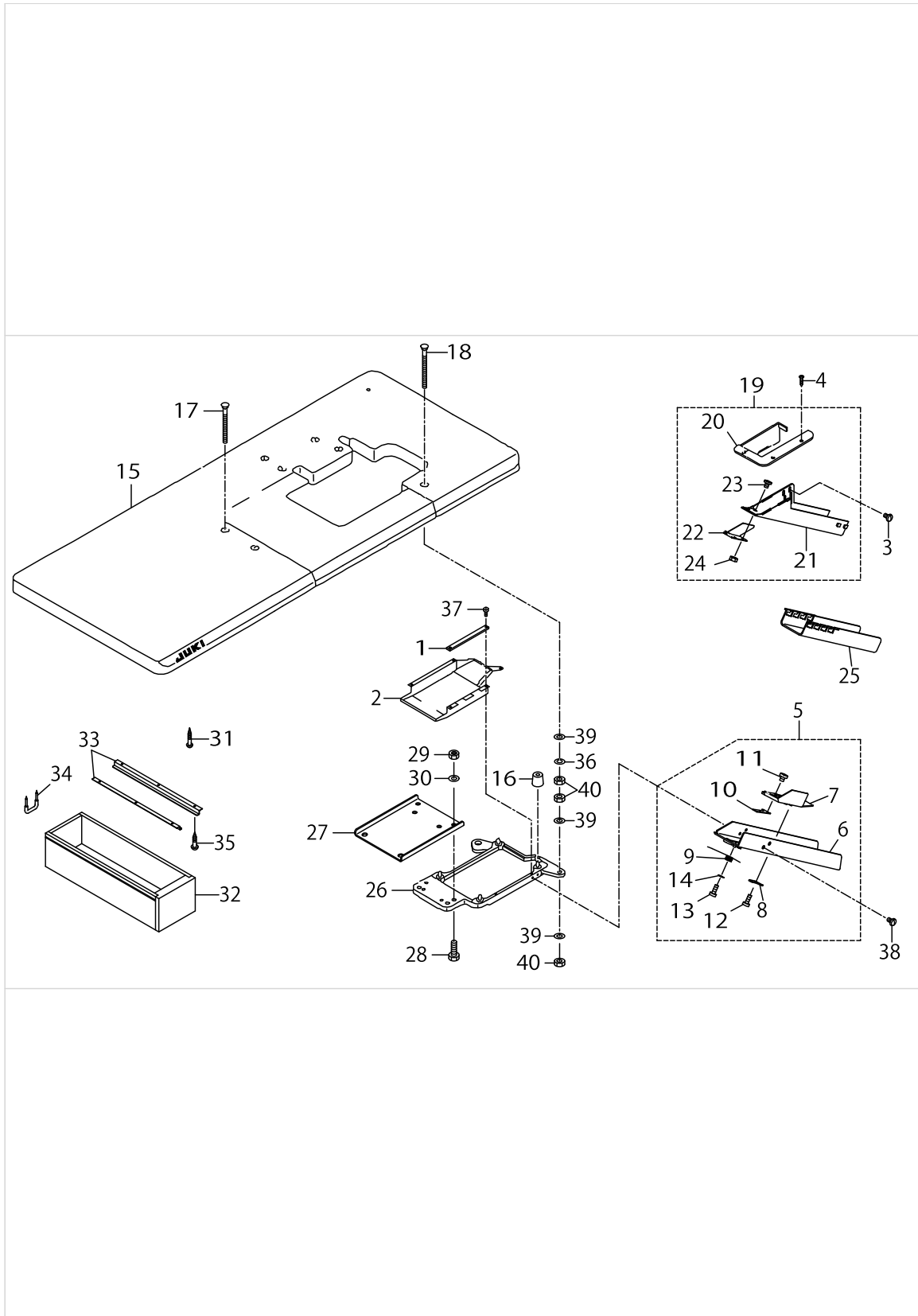
SEMI-SUNKEN TYPE TABLE COMPONENTS



SEMI-SUNKEN TYPE TABLE COMPONENTS

No.	Supply Code	Parts No.	Replacement	Parts name	Remarks	Choice	Step	Level	Cons	Qty	Rep. QTY
1		13161005		CASE SPONGE						1	
2		13160908		COOLING FAN CASE						1	
3		13161153		FRAME SUPPORT PLATE ASM.						1	
4		12341954		CLOTH WASTE CHUTE ASM.	EXCEPT JE					1	
5		12341905		CLOTH WASTE CHUTE(SEMI-SUNKEN)				*		1	
6		12341806		CLOTH WASTE CHUTE				*		1	
7		13155759		CLOTH WASTE CHUTE ASM.	FOR JE					1	
8	R	13155601	13155759	CLOTH WASTE CHUTE INLET				*		1	1.00
9	R	13155700	13155759	CLOTH WASTE CHUTE UPPER				*		1	1.00
10		13155502		CHUTE SUPPORT				*		1	
11		SS5090610SP		SCREW 9/64-40 L=6				*		3	
12		NS6090310SP		NUT 9/64-40				*		3	
13		13155403		DUST-PROOF RUBBER						4	
14		13156500		DUST-PROOF RUBBER SPACER						4	
15		13155007		HOLDING PLATE BOLT						4	
16		12341806		CLOTH WASTE CHUTE	FOR JE					1	
17		SS5110710SP		SCREW 11/64-40 L=7	FOR JE					2	
18		SK2351601SE		SCREW	FOR JE					3	
19	R	11155108	11155157	DRAWER						1	1.00
20		11155207		DRAWER SUPPORT						2	
21		11959400		TABLE (SEMI-SUNKEN)						1	
22		D8204555D00		DRAWER STOPPER						1	
23		NS6240630SE		NUT 3/8-18						4	
24		SK2351601SE		SCREW	EXCEPT JE					3	
25	D	SK3311500SC		WOOD SCREW D=3.1 L=15						6	
26	R	SK3513200SC	SK3513201SE	WOOD SCREW D=5.1 L=32						4	1.00
27		SS6090630TP		SCREW 9/64-40 L=6						5	
28		WP1002036SE		WASHER 10X21X2						4	
29		WS1002560KR		SPRING WASHER 10X18X2.5						4	

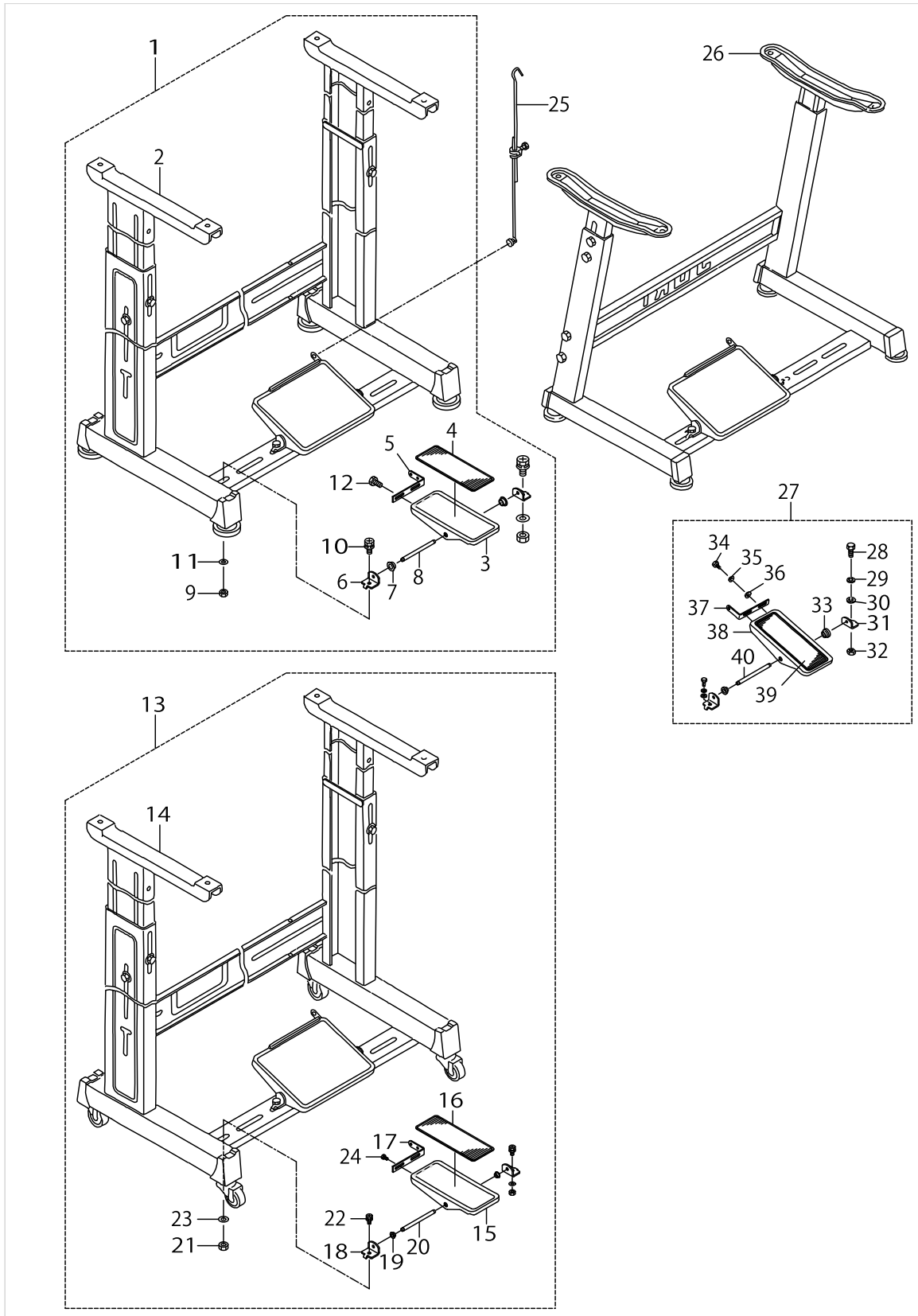
FULLY-SUNKEN TYPE TABLE COMPONENTS



FULLY-SUNKEN TYPE TABLE COMPONENTS

No.	Supply Code	Parts No.	Replacement	Parts name	Remarks	Choice	Step	Level	Cons	Qty	Rep. QTY
1		13161005		CASE SPONGE						1	
2		13160908		COOLING FAN CASE						1	
3		SS5110710SP		SCREW 11/64-40 L=7	FOR JE					2	
4		SK2351601SE		SCREW	FOR JE					3	
5		13155858		CLOTH WASTE CHUTE ASM.	EXCEPT JE					1	
6	R	13156203	13155858	CLOTH WASTE CHUTE				*		1	1.00
7	R	13156302	13155858	CLOTH WASTE CHUTE INLET				*		1	1.00
8	R	13155908	13155858	CHUTE INLET LEVER				*		1	1.00
9	R	13156005	13155858	CHUTE INLET SPRING				*		1	1.00
10	R	13156104	13155858	CHUTE INLET RUBBER				*		1	1.00
11		SS6090420SP		SCREW 9/64-40 L=4.0				*		2	
12		ST60308210A		SCREW D=3-24 L=8				*		2	
13		ST60308210A		SCREW D=3-24 L=8				*		1	
14		WP0370316SD		WASHER 3.7X8X0.3				*		1	
15		11959558		TABLE ASM.						1	
16		13155403		DUST-PROOF RUBBER						4	
17		13155106		HOLDING PLATE BOLT C						2	
18		13155205		HOLDING PLATE BOLT D						2	
19		13155759		CLOTH WASTE CHUTE ASM.	FOR JE					1	
20	R	13155601	13155759	CLOTH WASTE CHUTE INLET				*		1	1.00
21	R	13155700	13155759	CLOTH WASTE CHUTE UPPER				*		1	1.00
22		13155502		CHUTE SUPPORT				*		1	
23		SS5090610SP		SCREW 9/64-40 L=6				*		3	
24		NS6090310SP		NUT 9/64-40				*		3	
25		12341806		CLOTH WASTE CHUTE	FOR JE					1	
26		13161153		FRAME SUPPORT PLATE ASM.						1	
27		13155304		FRAME HOLDING PLATE COUPLING						1	
28		SM9082513CF		SCREW M8 L=25						4	
29		NM6080600SM		NUT M8						4	
30		WP0850002SC		WASHER 8.5X18X1.6						4	
31	R	SK3513200SC	SK3513201SE	WOOD SCREW D=5.1 L=32						4	1.00
32	R	11155108	11155157	DRAWER						1	1.00
33		11155207		DRAWER SUPPORT						2	
34		D8204555D00		DRAWER STOPPER						1	
35	D	SK3311500SC		WOOD SCREW D=3.1 L=15						6	
36		WS1002560KR		SPRING WASHER 10X18X2.5						4	
37		SS6090630TP		SCREW 9/64-40 L=6						5	
38		SS5110710SP		SCREW 11/64-40 L=7	EXCEPT JE					2	
39		WP1002036SE		WASHER 10X21X2						12	
40		NS6240630SE		NUT 3/8-18						12	

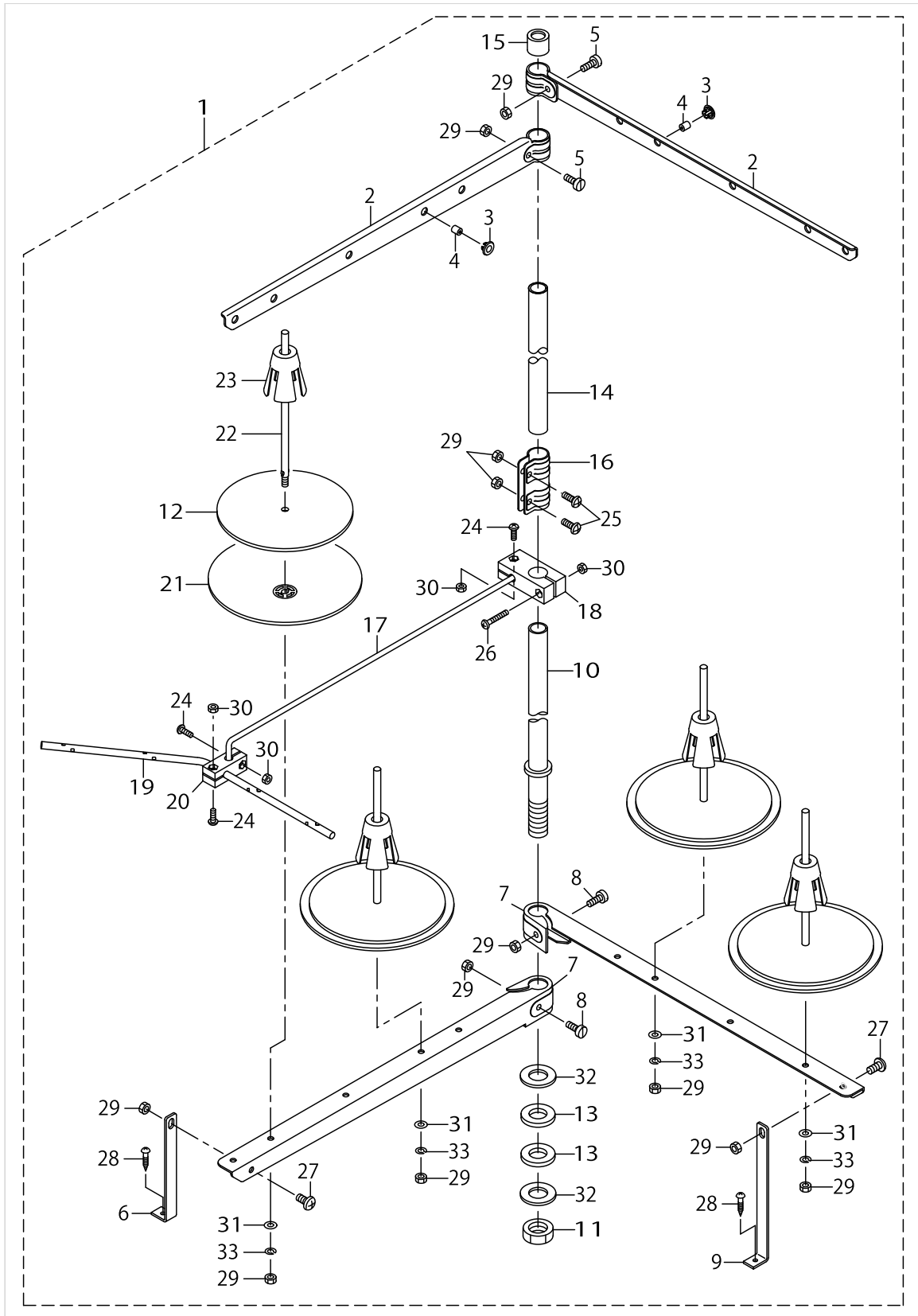
STAND COMPONENTS (ZAET)



STAND COMPONENTS (ZAET)

No.	Supply Code	Parts No.	Replacement	Parts name	Remarks	Choice	Step	Level	Cons	Qty	Rep. QTY
1		11960655		T STAND JUNCTION						1	
2		11157567		T LEG JUNCTION				*		1	
3	R	GPF06060000	GPF060600A0	PEDAL				*		1	1.00
4		GPF06070000		PEDAL MAT				*		1	
5		GPF06080000		PEDAL ADJUSTING PLATE				*		1	
6		11159001		PEDAL SHAFT BRACKET				*		2	
7		D8113555B00		PEDAL BUSHING				*		2	
8		B8153771000		PEDAL CONNECTING ROD				*		1	
9		NM6080001SE		NUT M8				*		2	
10		SL9082091SE		WASHER HEXAGONAL BOLT				*		2	
11		WP0871602SE		WASHER 8.7X18X1.6				*		2	
12		SL9061291SE		WASHER HEXAGONAL BOLT M6 L=12				*		2	
13	R	11960754	11159407	T STAND JUNCTION(WITH CASTER)		A				1	4.00
13	R	11960754	11960655	T STAND JUNCTION(WITH CASTER)		A				1	1.00
14		11159365		T STAND JUNCTION				*		1	
15	R	GPF06060000	GPF060600A0	PEDAL				*		1	1.00
16		GPF06070000		PEDAL MAT				*		1	
17		GPF06080000		PEDAL ADJUSTING PLATE				*		1	
18		11159001		PEDAL SHAFT BRACKET				*		2	
19		D8113555B00		PEDAL BUSHING				*		2	
20		B8153771000		PEDAL CONNECTING ROD				*		1	
21		NM6080001SE		NUT M8				*		2	
22		SL9082091SE		WASHER HEXAGONAL BOLT				*		2	
23		WP0871602SE		WASHER 8.7X18X1.6				*		2	
24		SL9061291SE		WASHER HEXAGONAL BOLT M6 L=12				*		2	
25		B71140120A0		MOTOR CONNECTING ROD ASM.						1	
26	D	11151065		Z LEG JUNCTION (B)						1	
27	D	B81517710A0		PEDAL ASM.						1	
28		SM9082023SE		SCREW M8 L=20				*		2	
29		WS0861410KR		SPRING WASHER 8.6X15X1.4				*		2	
30		WP0871602SE		WASHER 8.7X18X1.6				*		4	
31		11151909		PEDAL SHAFT BRACKET				*		2	
32		NM6080721SE		NUT M8				*		2	
33		D8113555B00		PEDAL BUSHING				*		2	
34		SM9061203SE		SCREW M6 L=12				*		2	
35		WS0621210KR		SPRING WASHER 6.2X11.4X1.2				*		2	
36		WP0671016SE		WASHER 6.7X13X1				*		2	
37	D	11246600		PEDAL ADJUSTING PLATE				*		1	
38	D	11246501		PEDAL				*		1	
39		B8152771000		PEDAL MAT				*		1	
40		B8153771000		PEDAL CONNECTING ROD				*		1	

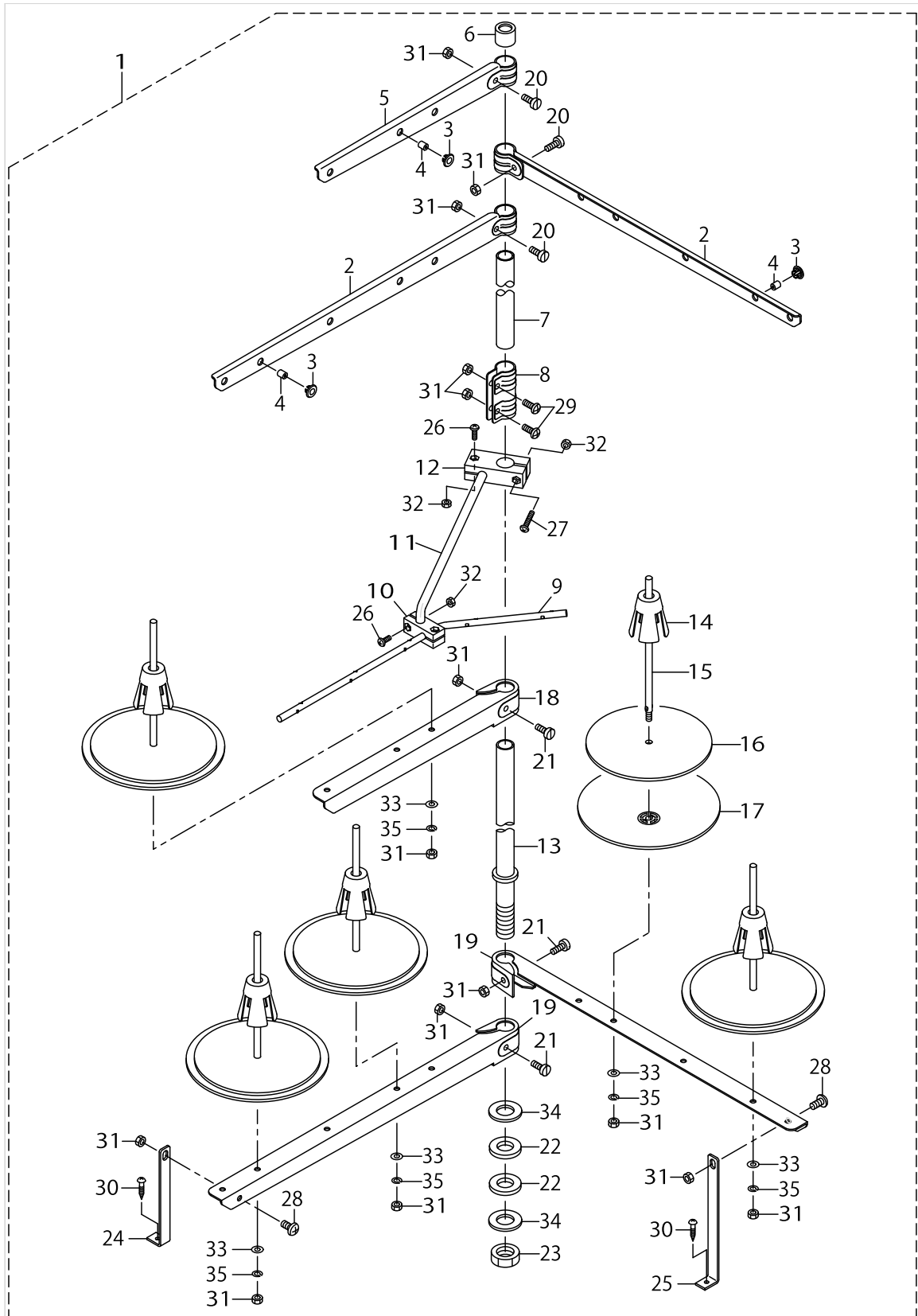
THREAD STAND COMPONENTS (FOR MO-6904G,MO-6914G)



THREAD STAND COMPONENTS (FOR MO-6904G,MO-6914G)

No.	Supply Code	Parts No.	Replacement	Parts name	Remarks	Choice	Step	Level	Cons	Qty	Rep. QTY
1		40106593		THREAD STAND ASM.						1	
2		40106575		SPOOL REST LONG ARM UPPER				*		2	
3		40085795		THREAD GUIDE BUSHING				*		4	
4		40085794		THREAD GUIDE				*		4	
5	R	40096327	SM4053001SE	SPOOL REST ARM UPPER SCREW				*		2	1.00
6		40106577		SPOOL REST ARM LOWER A				*		1	
7		40106574		SPOOL REST LONG ARM LOWER				*		2	
8		40096326		SPOOL REST ARM LOWER SCREW				*		2	
9		40106578		SPOOL REST ARM LOWER B				*		1	
10		40085784		SPOOL REST ROD LOWER				*		1	
11		40096325		SPOOL REST ROD NUT				*		1	
12		40085789		SPOOL REST CUSHION				*		4	
13		40085796		SPOOL REST ROD RUBBER CUSHION				*		2	
14		40085785		SPOOL REST ROD UPPER				*		1	
15		40085793		SPOOL REST ROD RUBBER CAP				*		1	
16		40085792		SPOOL REST ROD JOINT				*		1	
17		40106576		THREAD GUIDE ARM				*		1	
18		40106579		THREAD GUIDE ARM BASE				*		1	
19		40106582		THREAD GUIDE 4				*		1	
20		40106580		THREAD GUIDE UNDER BASE				*		1	
21		40085788		SPOOL REST				*		4	
22		40085790		SPOOL PIN				*		4	
23		40085791		SPOOL RETAINER				*		4	
24		SM4041201SC		SCREW M4 L=12				*		3	
25		SM4051405SE		SCREW M5 L=14				*		2	
26		SM4042501SC		SCREW M4X0.7 L=25				*		1	
27		SM4051001SE		SCREW M5 L=10				*		2	
28		SK3412001SE		WOOD SCREW D=4.1 L=20				*		2	
29		NM6050001SE		NUT M5				*		12	
30	R	NM6040002SC	NM6040002SE	NUT M4				*		4	1.00
31		WP0531001SC		WASHER M5				*		4	
32		WP1612616SE		WASHER 16X30X2.6				*		2	
33		WS0510002KN		SPRING WASHER M5				*		4	

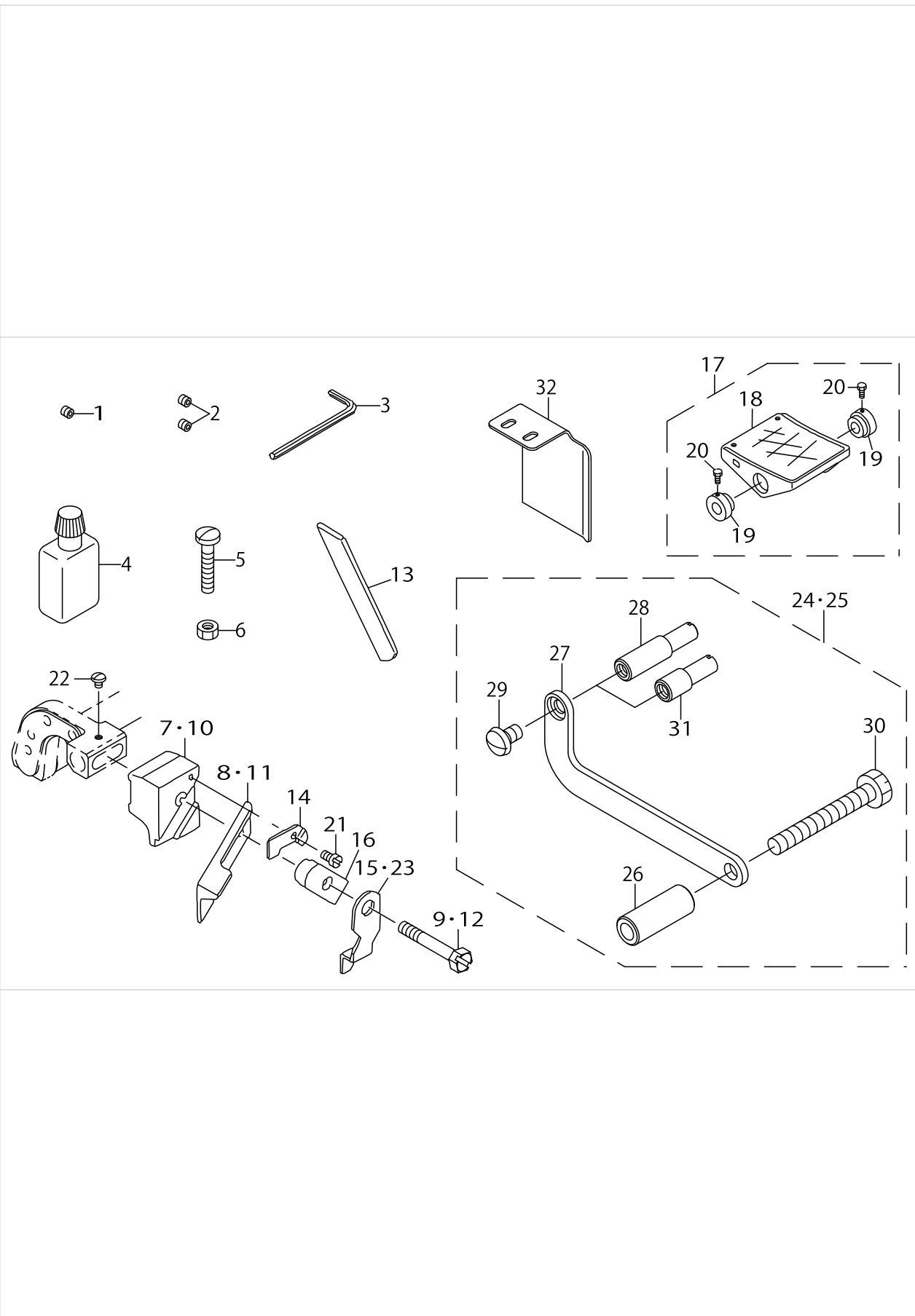
THREAD STAND COMPONENTS (FOR MO-6916G)



THREAD STAND COMPONENTS (FOR MO-6916G)

No.	Supply Code	Parts No.	Replacement	Parts name	Remarks	Choice	Step	Level	Cons	Qty	Rep. QTY
1		40106604		THREAD STAND ASM.						1	
2		40106575		SPOOL REST LONG ARM UPPER				*		2	
3		40085794		THREAD GUIDE				*		5	
4		40085795		THREAD GUIDE BUSHING				*		5	
5		40085787		SPOOL REST ARM UPPER				*		1	
6		40085793		SPOOL REST ROD RUBBER CAP				*		1	
7		40085785		SPOOL REST ROD UPPER				*		1	
8		40085792		SPOOL REST ROD JOINT				*		1	
9		40106581		THREAD GUIDE 5				*		1	
10		40106580		THREAD GUIDE UNDER BASE				*		1	
11		40106576		THREAD GUIDE ARM				*		1	
12		40106579		THREAD GUIDE ARM BASE				*		1	
13		40085784		SPOOL REST ROD LOWER				*		1	
14		40085791		SPOOL RETAINER				*		5	
15		40085790		SPOOL PIN				*		5	
16		40085789		SPOOL REST CUSHION				*		5	
17		40085788		SPOOL REST				*		5	
18		40085786		SPOOL REST ARM LOWER				*		1	
19		40106574		SPOOL REST LONG ARM LOWER				*		2	
20	R	40096327	SM4053001SE	SPOOL REST ARM UPPER SCREW				*		3	1.00
21		40096326		SPOOL REST ARM LOWER SCREW				*		3	
22		40085796		SPOOL REST ROD RUBBER CUSHION				*		2	
23		40096325		SPOOL REST ROD NUT				*		1	
24		40106577		SPOOL REST ARM LOWER A				*		1	
25		40106578		SPOOL REST ARM LOWER B				*		1	
26		SM4041201SC		SCREW M4 L=12				*		3	
27		SM4042501SC		SCREW M4X0.7 L=25				*		1	
28		SM4051001SE		SCREW M5 L=10				*		2	
29		SM4051405SE		SCREW M5 L=14				*		2	
30		SK3412001SE		WOOD SCREW D=4.1 L=20				*		2	
31		NM6050001SE		NUT M5				*		15	
32	R	NM6040002SC	NM6040002SE	NUT M4				*		4	1.00
33		WP0531001SC		WASHER M5				*		5	
34		WP1612616SE		WASHER 16X30X2.6				*		2	
35		WS0510002KN		SPRING WASHER M5				*		5	

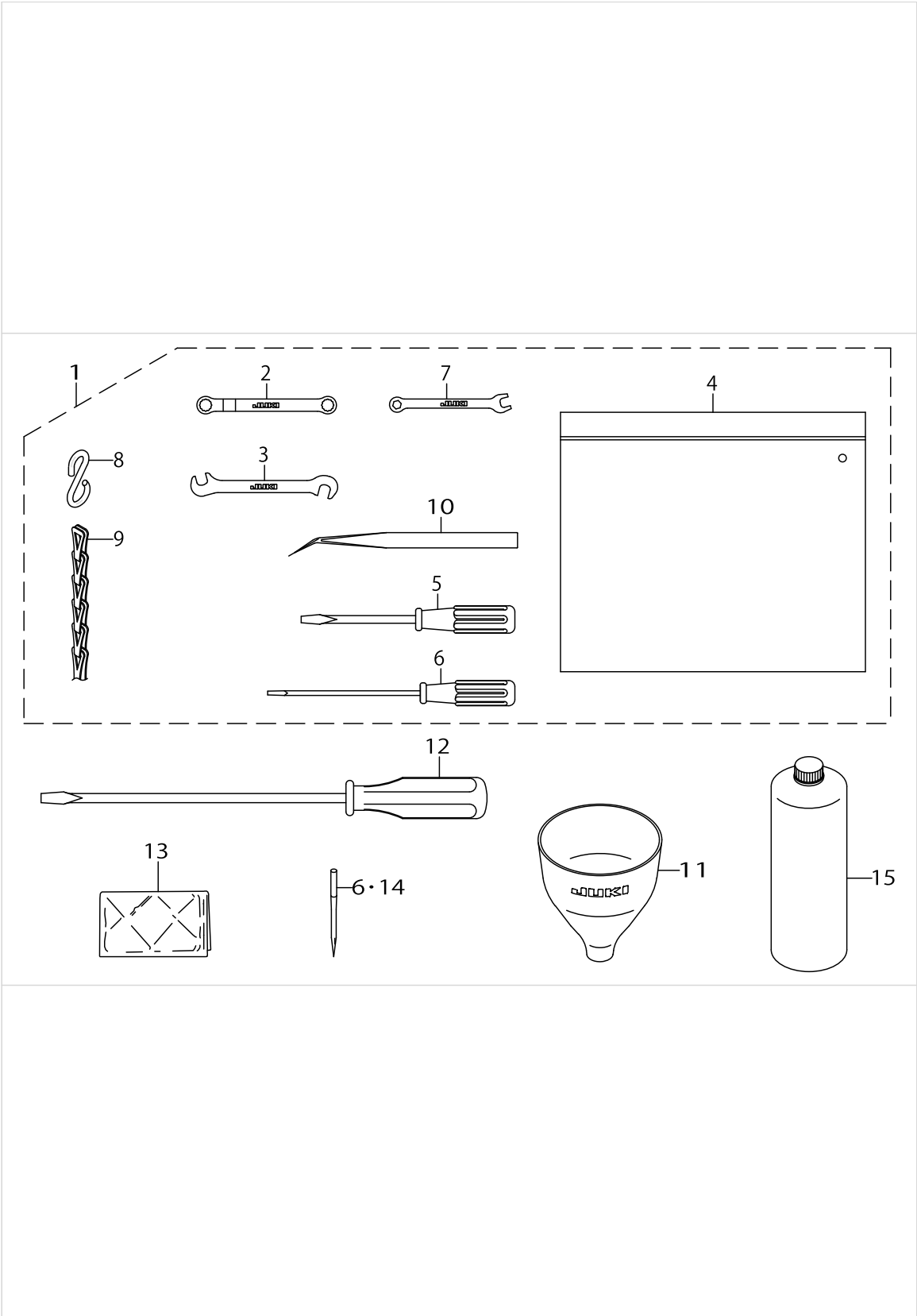
SPECIAL ORDER PARTS COMPONENTS



SPECIAL ORDER PARTS COMPONENTS

No.	Supply Code	Parts No.	Replacement	Parts name	Remarks	Choice	Step	Level	Cons	Qty	Rep. QTY
1		SS8080322TP		SCREW 1/8-44 L=3.2	FOR MO-6904G					1	
2		SS8080322TP		SCREW 1/8-44 L=3.2	FOR MO-6-914G,MO-6916G					2	
3		B9112804000		SPANNER						1	
4		B91351230B0		SILICON OIL LUBRICANT ASM. (30CC)						1	
5		SS7092110TP		SCREW 9/64-40 L=21	FOR MO-6916G					1	
6		NS6090310SP		NUT 9/64-40	FOR MO-6916G					1	
7		11598000		UPPER KNIFE SUPPORT	FOR MO-6-904G,MO-6914G					1	
8		11565900		UPPER KNIFE	FOR MO-6-904G,MO-6916G					1	
9		SS9111610SP		SCREW 11/64-40L=16	FOR MO-6-904G,MO-6914G					1	
10		11565405		UPPER KNIFE SUPPORT	FOR MO-6916G					1	
11		B411180400E		UPPER KNIFE	FOR MO-6914G					1	
12		SS9112420TP		SCREW 11/64-40L=24	FOR MO-6916G					1	
13		12005302		SINTERED LOWER KNIFE						1	
14		11565702		WASHER						1	
15		11565603		UPPER KNIFE COVER	FOR MO-6-904G,MO-6916G					1	
16		11565504		UPPER KNIFE PRESSER PLATE						1	
17		11965753		PEDAL ASM.						1	
18		11965704		PEDAL				*		1	
19		11965803		PEDAL THRUST COLLAR				*		2	
20		SM9061203SE		SCREW M6 L=12				*		2	
21		SS4060310SP		SCREW 3/32-56 L=2.5						1	
22		SS4060310SP		SCREW 3/32-56 L=2.5						1	
23		11848405		UPPER KNIFE COVER	FOR MO-6914G					1	
24		40011755		SYNCHRONIZER TURN STOPPER ASM.	FOR FOR SC-380					1	
25		40025294		SYNCHRONIZER STOPPER ASM.						1	
26		40011758		SYNCHRONIZER BASE COLLAR				*		1	
27		40011757		SYNCHRONIZER STOPPER BASE				*		1	
28		40022255		SYNCHRONIZER STOPPER				*		1	
29		SS5120810SP		SCREW				*		1	
30		SS9154540SP		SCREW 15/64-28L=45				*		1	
31		40011756		SYNCHRONIZER STOPPER	FOR FOR SC-380			*		1	
32		40036778		V_BELT SLIDER						1	

ACCESSORIES PARTS COMPONENTS



ACCESSORIES PARTS COMPONENTS

No.	Supply Code	Parts No.	Replacement	Parts name	Remarks	Choice	Step	Level	Cons	Qty	Rep. QTY
1		13160858		ACCESSORIE BAG ASM.						1	
2		13160007		RING SPANNER				*		1	
3		13160205		PIN SPANNER				*		1	
4		22932800		ACCESSORIE BAG				*		1	
5		22933105		SCREW DRIVER MIDDLE				*		1	
6		12347308		SCREW DRIVER (SMALL)				*		1	
7		13160106		SPANNER (5X6)				*		1	
8		13160304		S SHAPED HOOK				*		2	
9		13160403		CHAIN				*		1	
10		12288403		TWEEZERS				*		1	
11		13160601		FUNNEL						1	
12		22933006		SCREW DRIVER LARGE						1	
13		40048535		HEAD_COVER						1	
14		MDO500S2104		NEEDLE DOX5 S #21S-4	FOR MO-6-904G,MO-6916G					1	
15		MML018900CA		JUKI MACHINE OIL 18						1	
16		MDO500S1804		NEEDLE DOX5 S #18S-4	FOR MO-6914G					1	

HOW TO MAKE USE OF THIS PARTS LIST

1.Explanation of codes

1)"*"mark.....means this part is changed from the previous parts book.

As to the details of the change, refer to the "List for information of change".

2)"#01".....refer to "Note" explanation at bottom of page.

2.Codes on the "Qty" column

- Each numeral indicates the number of parts required.
- "0.1" and "2.5" indicate the length (in meters) of the respective parts.

3.Parentheses mean that the corresponding part is a subpart that constructs an assembly part.

4.Dotted lines on the Figures indicate assembly parts.

1."注記"欄の記号説明

1) "*"印.....前回のパーツブックに比較して今回変更された部品を意味します。

変更内容は、"変更情報リスト"を参照してください。

2) "#01".....ページ下の"注記"の説明を参照してください。

2.数量欄の数字は、個数を表し、0.1、2.5等の数値は、長さ（単位メートル）を表します。

3.数量欄の（ ）は、組部品を構成している子部品であることを意味します。

4.イラストページの-----枠は、組構成であることを意味します。

NUMERICAL INDEX OF PARTS

PART NO	PAGE	REF NO.	PART NO	PAGE	REF NO.	PART NO	PAGE	REF NO.
10753309	6	39	11846805	40	28	12133708	42	36
11151065	58	26	11848405	44	33·34	12157319	34	27
11151909	58	31	11848405	64	15·23	12160800	34	39
11155108	54	19	11848603	40	5	12168407	34	30
11155108	56	32	11890001	24	5	12168506	34	31
11155207	54	20	11918109	50	6	12168803	34	37
11155207	56	33	11930708	34	33	12253829	34	1
11157567	58	2	11959400	54	21	12280301	14	5
11159001	58	18	11959558	56	15	12283602	36	25
11159365	58	14	11960655	58	1	12283701	36	26
11246501	58	38	11960754	58	13	12283800	36	27
11246600	58	37	11965704	64	18	12288403	66	10
11522802	34	13	11965753	64	17	12288700	30	33
11528403	22	69	11965803	64	19	12304309	14	22
11528502	22	70	12002606	10	4	12315909	50	3
11545100	24	45	12004800	44	9	12316006	50	10
11565405	44	25·27	12004909	44	18	12316105	50	11
11565405	64	7·10	12005302	64	13	12317004	50	9
11565504	44	31	12010807	34	19	12340303	24	31
11565504	64	16	12013306	22	65	12340402	24	33
11565603	44	33·34	12013405	22	68	12340501	24	12
11565603	64	15·23	12015301	42	39	12340600	24	25
11565702	44	32	12015400	42	40	12340709	24	27
11565702	64	14	12015509	42	38	12340808	26	50
11565900	44	28·29	12025706	10	10·42	12341806	54	16
11565900	64	8·11	12102950	40	31	12341806	56	25
11566502	42	45	12103107	40	29	12341905	54	5
11566809	44	12	12103602	40	19	12341954	54	4
11598000	44	25·27	12103701	40	18	12342309	28	1
11598000	64	7·10	12108403	10	25	12347308	66	6·14
11651304	34	15	12114120	34	38	12347555	36	32
11651809	22	71	12116604	18	18~22	12370201	2	11·51
11680501	34	12	12116703	18	18~22	12370300	4	11·51
11680709	34	11	12116802	18	18~22	12372207	14	36
11700101	34	22	12116901	18	18~22	12372405	14	40
11700408	34	9	12117008	18	18~22	12372603	10	28
11700507	22	67	12118303	20	9	12374104	28	13
11701604	22	64	12119210	18	6	12374203	28	18
11804606	42	37	12129805	50	20	12375051	10	30
11806304	40	12	12129904	50	18	12375150	10	34
11825304	22	51	12132155	10	43	12375259	10	38
11826401	22	52	12132619	40	15	12375705	24	35
11829314	28	6	12132700	40	20·26	12375952	24	24
11840303	50	8	12133211	42	34	12377552	40	10·11
11846607	40	14	12133708	40	36	12377586	40	10·11

NUMERICAL INDEX OF PARTS

PART NO	PAGE	REF NO.	PART NO	PAGE	REF NO.	PART NO	PAGE	REF NO.
12377602	40	22	13104500	6	10	13119904	18	33
12377701	40	24	13104807	6	29	13119953	18	32
12377800	40	20·26	13104906	10	20	13120001	18	41
12377909	40	27	13105507	2	2	13120506	18	2
12378006	40	32	13107701	10	10·42	13120605	18	3
12378105	42	35	13107800	10	6	13120803	20	33
12378204	40	23	13108006	10	23	13120902	20	29
12378303	40	7	13108105	10	24	13121009	20	31
12381158	34	14	13108303	10	27	13121058	20	30
12381208	34	28	13108402	10	8	13121108	22	75
12381257	34	26	13108501	10	9	13121207	20	43
12381307	34	29	13108600	10	18	13121256	20	42
12381406	34	32	13110002	14	15	13121306	20	40
12381752	34	4	13110507	14	2	13121405	20	26
12382503	22	66	13110556	14	1	13121603	22	49
12383501	24	9	13110606	14	4	13121900	20	45
12383600	24	7	13111208	14	34	13122007	16	49~52
12384202	24	4	13111307	14	35	13122007	18	35~38
12384400	28	5	13115001	30	1	13122007	44	13~16
12384509	42	41	13115100	30	2	13122106	16	49~52
12386603	14	31	13115407	30	8	13122106	18	35~38
13100805	2	16	13115654	30	32	13122106	44	13~16
13100904	2	15	13115753	30	9	13122205	16	49~52
13101001	2	21	13115803	30	10	13122205	18	35~38
13101209	2	18	13115902	30	11	13122205	44	13~16
13101308	2	30	13116009	30	12	13122304	16	49~52
13101407	2	19	13116108	30	13	13122304	18	35~38
13101506	2	25	13116207	30	18	13122304	44	13~16
13101605	2	26	13116306	30	20	13122502	18	13
13101704	2	28	13116405	30	22	13122700	20	18
13101803	2	32	13116504	30	23	13122809	20	24
13101902	2	36	13116603	30	24	13123302	20	39
13102058	2	35	13116702	34	2	13123302	30	44
13102207	4	45	13116801	30	7	13126008	28	4
13102405	2	3	13116900	30	21	13126206	28	10
13102504	6	20	13117007	30	19	13126305	28	11
13102553	6	19	13117106	30	34	13126354	28	9
13102603	6	23	13118054	18	1	13126503	28	19~22
13102702	42	46	13118708	18	16	13126602	28	19~22
13102900	6	38	13119300	18	14	13126701	28	19~22
13103650	2	34	13119409	18	23	13126800	28	19~22
13103809	2	13	13119508	18	24	13126909	28	3
13103908	6	24	13119607	18	25	13127006	28	17
13104104	2	1·52	13119706	18	39	13127204	28	23~26
13104302	2	44	13119805	18	42	13127303	28	23~26

NUMERICAL INDEX OF PARTS

PART NO	PAGE	REF NO.	PART NO	PAGE	REF NO.	PART NO	PAGE	REF NO.
13127402	28	23~26	13143706	52	48	13161005	54	1
13127501	28	23~26	13143805	50	27	13161005	56	1
13128103	28	16	13144001	50	30	13161153	54	3
13128509	36	28	13144100	50	39	13161153	56	26
13128608	36	29	13144209	50	40	13162557	48	6
13128707	36	30	13147400	44	7	13162565	48	7
13129101	36	34·35	13147509	44	2	13162573	48	8
13129259	36	31	13147558	44	1	13162805	48	19
13129309	24	21	13150503	44	17	13162904	48	21
13129309	28	7	13150800	44	11	13163001	48	22
13130000	36	33	13150909	44	5	13163159	48	16
13131800	26	46	13151006	44	6	13163167	48	17
13132600	24	23	13151105	42	48	13163175	48	18
13137559	36	2	13151303	44	4	13163456	48	1
13137609	36	15	13155007	54	15	13163803	48	2
13137708	36	10~13	13155106	56	17	13163902	48	3
13137807	36	6~9	13155205	56	18	13170006	6	9
13137906	36	16	13155304	56	27	13170105	6	21
13138003	36	19	13155403	54	13	13170204	6	11
13138102	36	17	13155403	56	16	13170204	20	34
13138201	36	47	13155502	54	10	13170303	10	14
13138201	38	47	13155502	56	22	13170402	30	37
13138359	36	3	13155601	54	8	13170501	22	48
13138409	36	10~13	13155601	56	20	13170600	24	16
13138508	36	6~9	13155700	54	9	13170808	50	34
13138656	36	4	13155700	56	21	13171004	6	22
13138706	36	10~13	13155759	54	7	13172507	18	11
13138805	36	6~9	13155759	56	19	13172556	18	10
13138904	36	14	13155858	56	5	13172705	16	55
13139555	38	46	13155908	56	8	13172754	16	54
13139605	38	49	13156005	56	9	13172903	2	38
13139704	38	52	13156104	56	10	13200209	6	1
13139803	38	51	13156203	56	6	13200308	6	2
13139902	38	50	13156302	56	7	13200407	6	5
13140009	38	48	13156500	54	14	13200605	6	6
13140108	36	10~13	13160007	66	2	13200704	2	7
13140207	36	6~9	13160106	66	7	13200803	2	8
13140355	36	5	13160205	66	3	13200902	22	77
13142500	50	25	13160304	66	8	13201009	6	12
13142609	16	48	13160403	66	9	13201108	6	28
13142609	50	38	13160601	66	11	13201207	6	33
13142955	50	33	13160700	6	43	13201306	6	32
13143300	50	29	13160858	66	1	13201405	6	16
13143417	50	43	13160908	54	2	13201454	6	15
13143508	52	44	13160908	56	2	13201603	2	42

NUMERICAL INDEX OF PARTS

PART NO	PAGE	REF NO.	PART NO	PAGE	REF NO.	PART NO	PAGE	REF NO.
13204003	6	35	13216304	20	23	13244108	18	30
13205406	10	19	13216601	18	28	13255005	16	62
13205505	10	2	13216700	18	29	13255104	16	63
13205554	10	1	13216809	18	26	13255203	16	64
13207600	14	19	13217104	20	17	13343009	50	4
13207709	14	18	13217351	22	47	22901805	6	37
13207808	14	20	13217401	22	57	22921407	38	53
13207907	14	7	13217500	22	58	22924708	6	8
13207956	14	6	13217708	20	36	22932800	66	4
13208004	16	68	13217807	18	5·31	22933006	66	12
13208103	16	69	13217906	18	5·31	22933105	66	5
13208459	14	42	13218003	22	54	23630007	14	45
13208509	14	43	13218052	22	50	23630007	52	54
13208608	16	47	13218102	22	56	31018005	52	60
13208707	14	30	13220009	28	15	31200900	4	1·52
13208806	14	28	13220108	28	34	31203201	14	24
13208905	14	29	13221304	24	8	31203300	14	27
13209101	14	9~11	13221403	26	60~62	40010804	26	55
13209200	14	9~11	13221502	26	60~62	40010805	28	12
13209309	14	9~11	13221601	26	60~62	40011234	24	11
13209408	14	12~14	13221700	26	63~65	40011755	64	24·25
13209507	14	12~14	13221809	26	63~65	40011756	64	31
13209606	14	12~14	13221908	26	63~65	40011757	64	27
13210109	14	17	13222401	24	29	40011758	64	26
13210158	14	16	13222609	24	2	40014729	16	61
13210208	14	38	13222708	24	3	40014730	14	26
13210307	14	39	13224001	26	52	40016762	50	12
13212709	30	35	13225008	36	1	40016763	50	16
13212808	30	41	13225107	36	45	40017714	12	47
13212915	30	43	13225107	38	45	40017824	10	41
13213012	20	38	13228655	50	23	40018044	50	2
13213012	30	42	13228804	52	55	40019900	50	1
13213301	30	39	13228903	52	59	40022239	10	17
13215108	20	2	13229000	52	61	40022255	64	28
13215157	20	1	13229109	52	57	40025294	64	24·25
13215207	20	3	13229208	52	51	40026021	24	10
13215306	20	4	13229307	50	19	40034897	30	31
13215405	20	5	13229356	50	17	40035711	12	49
13215504	20	6	13229406	52	58	40036778	64	32
13215603	20	7	13230008	52	47	40037392	8	44
13215702	20	11	13230107	52	45	40040065	8	45
13215900	20	13	13240007	4	48~50	40048535	66	13
13216007	20	14	13240106	4	48~50	40059765	24	20
13216106	20	19	13240205	4	48~50	40059766	24	19
13216205	20	21	13244009	16	46	40085784	60	10

NUMERICAL INDEX OF PARTS

PART NO	PAGE	REF NO.	PART NO	PAGE	REF NO.	PART NO	PAGE	REF NO.
40085784	62	13	40106580	62	10	CS1031219SH	26	58
40085785	60	14	40106581	62	9	CS11111019SH	44	22
40085785	62	7	40106582	60	19	CS1111101HSH	44	21
40085786	62	18	40106593	60	1	D8113555B00	58	33
40085787	62	5	40106604	62	1	D8204555D00	54	22
40085788	60	21	40150131	4	53	D8204555D00	56	34
40085788	62	17	70004244	20	10	EA9500B0100	14	21
40085789	60	12	70004672	32	48	GPF06060000	58	15
40085789	62	16	B1215804000	10	21·22	GPF06070000	58	16
40085790	60	22	B1422804A00	24	37~41	GPF06080000	58	17
40085790	62	15	B1422804B00	24	37~41	MDO500S1800	14	25
40085791	60	23	B1422804C00	24	37~41	MDO500S1804	66	16
40085791	62	14	B1422804D00	24	37~41	MDO500S2100	16	66
40085792	60	16	B1422804E00	24	37~41	MDO500S2104	66	6·14
40085792	62	8	B1508804000	34	21	MML018900CA	66	15
40085793	60	15	B1510814000	34	24	NM6040002SC	60	30
40085793	62	6	B1511814000	34	18	NM6040002SC	62	32
40085794	60	4	B1514816000	34	34	NM6050001SE	60	29
40085794	62	3	B2119816A00	28	27~31	NM6050001SE	62	31
40085795	60	3	B2119816B00	28	27~31	NM6060003SC	30	25
40085795	62	4	B2119816C00	28	27~31	NM6080001SE	58	21
40085796	60	13	B2119816D00	28	27~31	NM6080600SM	56	29
40085796	62	22	B2119816E00	28	27~31	NM6080721SE	58	32
40096181	30	4	B2530704000	26	56	NS6090310SN	2	5
40096182	30	3	B3534352000	50	7	NS6090310SP	46	38
40096325	60	11	B411180400E	44	28·29	NS6090310SP	54	12
40096325	62	23	B411180400E	64	8·11	NS6090310SP	56	24
40096326	60	8	B71140120A0	58	25	NS6090310SP	64	6
40096326	62	21	B81517710A0	58	27	NS6110310SP	50	52
40096327	60	5	B8152771000	58	39	NS6110310SP	52	52
40096327	62	20	B8153771000	58	40	NS6110420SP	4	46
40102307	2	41	B9112804000	64	3	NS6110420SP	30	26
40106574	60	7	B91351230B0	64	4	NS6110420SP	36	20
40106574	62	19	BP30000010R	50	62	NS6240630SE	54	23
40106575	60	2	BP30000010R	52	62	NS6240630SE	56	40
40106575	62	2	CM300200001	2	40	NS6620320SP	18	40
40106576	60	17	CM300200001	6	17	NS6680410SP	6	27
40106576	62	11	CM301300001	6	36	PS0200052KH	36	22
40106577	60	6	CM600100101	8	46	PS0200062KH	28	32
40106577	62	24	CQ200000000	14	44	PS0300062KH	24	18
40106578	60	9	CQ202000000	16	58	PS0300142KH	30	16
40106578	62	25	CQ202000000	26	53	R4300J6FL00	40	1
40106579	60	18	CQ202000000	52	50	R4306J6HJ00	40	2
40106579	62	12	CQ252000000	16	60	R4612J6HL00	40	3
40106580	60	20	CS1031210SH	26	57	RE0300000K0	20	37

NUMERICAL INDEX OF PARTS

PART NO	PAGE	REF NO.	PART NO	PAGE	REF NO.	PART NO	PAGE	REF NO.
RE0300000K0	32	47	SM4051405SE	62	29	SS4091015SP	2	14
RE0500000K0	20	41	SM4051601SC	50	35	SS4091015SP	48	23
SB110000300	10	21-22	SM4060801SE	52	65	SS4110515SP	14	33
SD0600341TP	36	36	SM6040600SP	20	22	SS4110515SP	38	43
SD0640241SP	30	15	SM6051202TP	18	34	SS4110615SP	36	24
SD0720271SP	22	59	SM6051202TP	22	55	SS4112215SP	50	13
SD0720803TH	28	33	SM6051202TP	28	14	SS4120615SP	2	12
SK2351601SE	54	24	SM6061200SP	24	17	SS4151215SP	6	18
SK2351601SE	56	4	SM6061200SP	30	27	SS5080212TP	10	3
SK3311500SC	54	25	SM6061202TP	10	37	SS5090610SP	54	11
SK3311500SC	56	35	SM6061402TP	14	8	SS5090610SP	56	23
SK3412001SE	6	40	SM6061402TP	18	7	SS5110710SP	6	31
SK3412001SE	60	28	SM6061402TP	30	5	SS5110710SP	54	17
SK3412001SE	62	30	SM6061402TP	44	3	SS5110710SP	56	38
SK3513200SC	54	26	SM6061802TP	50	21	SS5120810SP	64	29
SK3513200SC	56	31	SM8040302TP	2	39	SS5150510SP	38	44
SL9061291SE	58	24	SM8040402TP	30	38	SS6060210SP	34	17
SL9082091SE	58	22	SM8050402TP	28	36	SS6060340SP	34	36
SM1040801SC	2	10	SM8050412TP	30	30	SS6060440TP	24	1
SM1040801SC	6	13	SM8050412TP	50	5	SS6060440TP	34	23
SM4030455SP	20	16	SM8050502TP	50	42	SS6080320SP	18	15
SM4040655SP	2	31	SM8050602TP	28	35	SS6080340SP	22	78
SM4040655SP	24	30	SM9061203SE	58	34	SS6080340SP	30	17
SM4040855SP	2	43	SM9061203SE	64	20	SS6080410SP	22	53
SM4040855SP	6	14	SM9082023SE	58	28	SS6080410SP	24	28
SM4040855SP	10	26	SM9082513CF	56	28	SS6080720SP	14	23
SM4040855SP	14	41	SQ0000451MZ	52	63	SS6081210TP	12	48
SM4040855SP	20	35	SQ1110401MZ	50	15	SS6090420SP	56	11
SM4041055SP	2	17	SQ1110451MZ	50	53	SS6090620TP	20	8
SM4041055SP	22	60	SQ1110451MZ	52	53	SS6090620TP	24	44
SM4041055SP	48	5	SQ1150441SD	52	64	SS6090630TP	24	15
SM4041201SC	60	24	SQ1150451MZ	50	37	SS6090630TP	54	27
SM4041201SC	62	26	SQ1150454SD	50	26	SS6090630TP	56	37
SM4041455SN	18	27	SS1060610SP	20	20	SS6090670TP	14	37
SM4042501SC	60	26	SS2090520SL	2	4	SS6090670TP	34	35
SM4042501SC	62	27	SS2110910SL	40	4	SS6090810SP	50	14
SM4050855SP	10	7	SS3090610SP	2	6	SS6110610TP	40	17
SM4050855SP	38	38	SS3090610SP	24	51	SS6110710TP	28	38
SM4050855SP	50	28	SS3090610SP	26	51	SS6111040SP	44	8
SM4051001SE	60	27	SS4060310SP	44	36	SS6111440SP	4	47
SM4051001SE	62	28	SS4060310SP	64	22	SS6111610SP	44	10
SM4051055SP	40	8	SS4080620TP	22	72	SS6121020SP	30	40
SM4051255SP	6	7	SS4090415SP	38	42	SS6121020SP	52	46
SM4051255SP	20	25	SS4090515SP	20	27	SS6121220TP	18	4
SM4051405SE	60	25	SS4090615SP	24	13	SS6151440SP	42	47

NUMERICAL INDEX OF PARTS

PART NO	PAGE	REF NO.	PART NO	PAGE	REF NO.	PART NO	PAGE	REF NO.
SS6661110SP	20	46	SS8110410TP	36	21	WP0764016SP	10	13
SS7060310SP	20	12	SS8110422TP	28	37	WP0850002SC	56	30
SS7060310SP	52	49	SS8110520TP	52	66	WP0871602SE	58	30
SS7060510SP	34	3	SS8151150TP	10	5	WP1002036SE	54	28
SS7060510SP	42	43	SS8660330SP	20	32	WP1002036SE	56	39
SS7060610SP	26	54	SS8660330SP	44	23	WP1612616SE	60	32
SS7080520SP	34	25	SS8660610TP	16	56	WP1612616SE	62	34
SS7090510SP	42	42	SS8660610TP	26	59	WS0510002KN	60	33
SS7090530SP	2	20	SS9090410TP	24	43	WS0510002KN	62	35
SS7090610SP	2	22	SS9090610TP	24	42	WS0621210KR	58	35
SS7090610SP	42	44	SS9090823TP	44	19	WS0822010KP	6	26
SS7090610SP	48	20	SS9111010SP	22	73	WS0861410KR	58	29
SS7090611SL	6	34	SS9111010SP	40	21	WS1002560KR	54	29
SS7090710SP	40	25	SS9111050SP	22	74	WS1002560KR	56	36
SS7090850SP	24	26	SS9111610SP	44	26-30	WZ0420350KP	2	37
SS7091410SP	2	33	SS9111610SP	64	9-12	WZ0640312K0	38	37
SS7092110TP	44	37	SS9112420TP	44	26-30	WZ0850302K0	6	30
SS7092110TP	64	5	SS9112420TP	64	9-12	WZ2640310KH	10	15
SS7110510SP	2	27	SS9151210TP	24	22			
SS7110510SP	30	14	SS9151210TP	28	8			
SS7110710SL	36	23	SS9154540SP	64	30			
SS7110710SP	2	29	SS9681610TP	10	12			
SS7110720SP	40	13	ST60308210A	56	13			
SS7110720TP	28	39	TA0400301M0	50	41			
SS7110840SP	10	46	TA0800504R0	22	76			
SS7110840SP	12	46	TA0950806R0	48	4			
SS7110840SP	24	36	TA1030402R0	18	8			
SS7110840SP	30	28	TA1871602R0	6	41			
SS7110840SP	40	9	TA2050416R0	18	9			
SS7110840SP	44	24	TA2050805R0	6	42			
SS7110840SP	48	15	WP0320500SD	34	40			
SS7110910TP	18	17	WP0370316SD	44	20			
SS7111410TP	10	40	WP0370316SD	56	14			
SS7111410TP	30	29	WP0371016SD	20	28			
SS7111810TP	10	44	WP0371026SD	48	24			
SS7150740SP	30	45	WP0460556SD	22	61			
SS7151120SP	40	30	WP0460556SD	32	46			
SS7161040SP	30	6	WP0480856SP	22	62			
SS8080310TP	16	67	WP0531001SC	60	31			
SS8080310TP	32	49	WP0531001SC	62	33			
SS8080322TP	64	2	WP0621016SD	22	63			
SS8090530TP	16	59	WP0621036SP	40	16			
SS8110410TP	2	24	WP0651056SD	50	22			
SS8110410TP	18	12	WP0671016SE	58	36			
SS8110410TP	20	44	WP0751576SD	6	25			