

MODEL : MO-6116D SUBCLASSES

List No : 1356-00

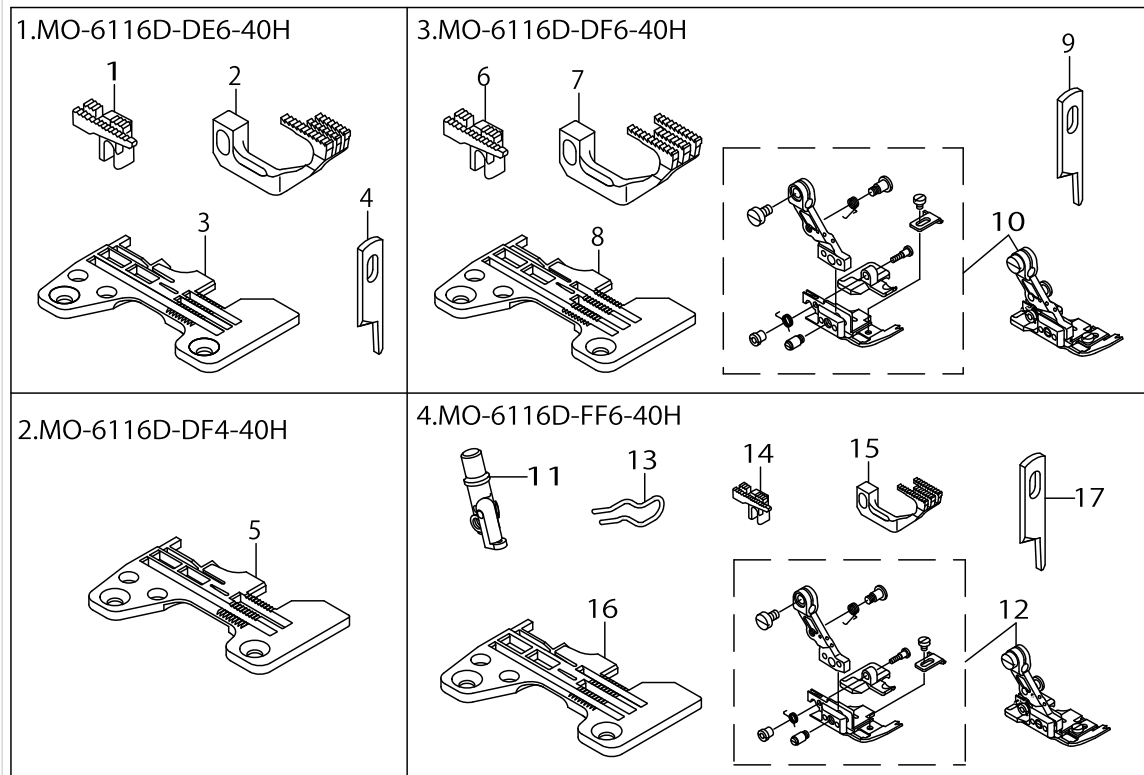
PARTS LIST

Published:05/12/2017

CONTENTS

MO-6116D SUBCLASSES (1).....	1
MO-6116D SUBCLASSES (2).....	3
MO-6116D SUBCLASSES (3).....	5
MO-6116D SUBCLASSES (4).....	7
HOW TO MAKE USE OF THIS PARTS LIST	9

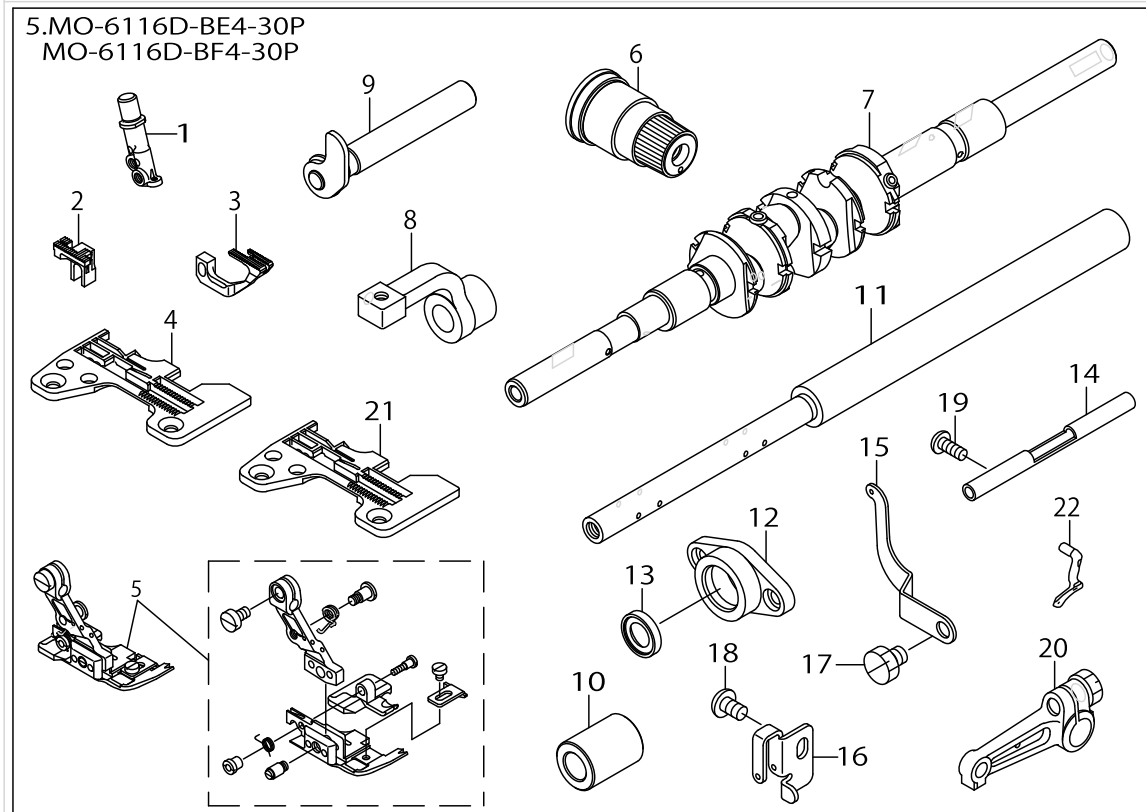
MO-6116D SUBCLASSES (1)



MO-6116D SUBCLASSES (1)

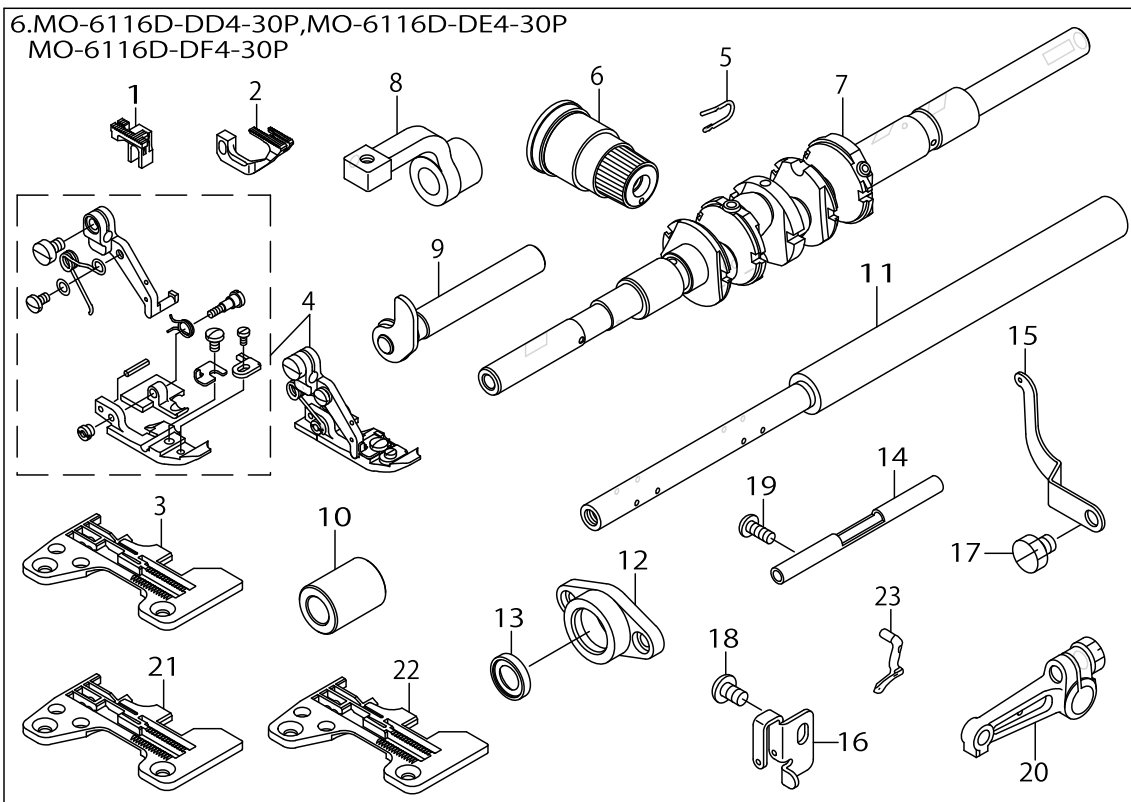
No.	Supply Code	Parts No.	Replacement	Parts name	Remarks	Choice	Step	Level	Cons	Qty	Rep. QTY
1		11882909		MAIN FEED DOG						1	
2		12173209		DIFFERENTIAL FEED DOG						1	
3		R4608J6ED00		THROAT PLATE						1	
4		13150503		KNIFE						1	
5		R4508J6FD00		THROAT PLATE						1	
6		11987708		MAIN FEED DOG						1	
7		12173308		DIFFERENTIAL FEED DOG						1	
8		R4608J6FD00		THROAT PLATE						1	
9		13150503		KNIFE						1	
10	R	12154159	12154167	PRESSER FOOT ASM.						1	1.00
11		12257507		NEEDLE CLAMP, CHAIN LOOPER						1	
12	R	12154258	12154266	PRESSER FOOT ASM.						1	1.00
13		12168209		FINGER GUARD						1	
14		11884004		MAIN FEED DOG						1	
15		12173308		DIFFERENTIAL FEED DOG						1	
16		R4612J6FD00		THROAT PLATE						1	
17		13150503		KNIFE						1	

MO-6116D SUBCLASSES (2)



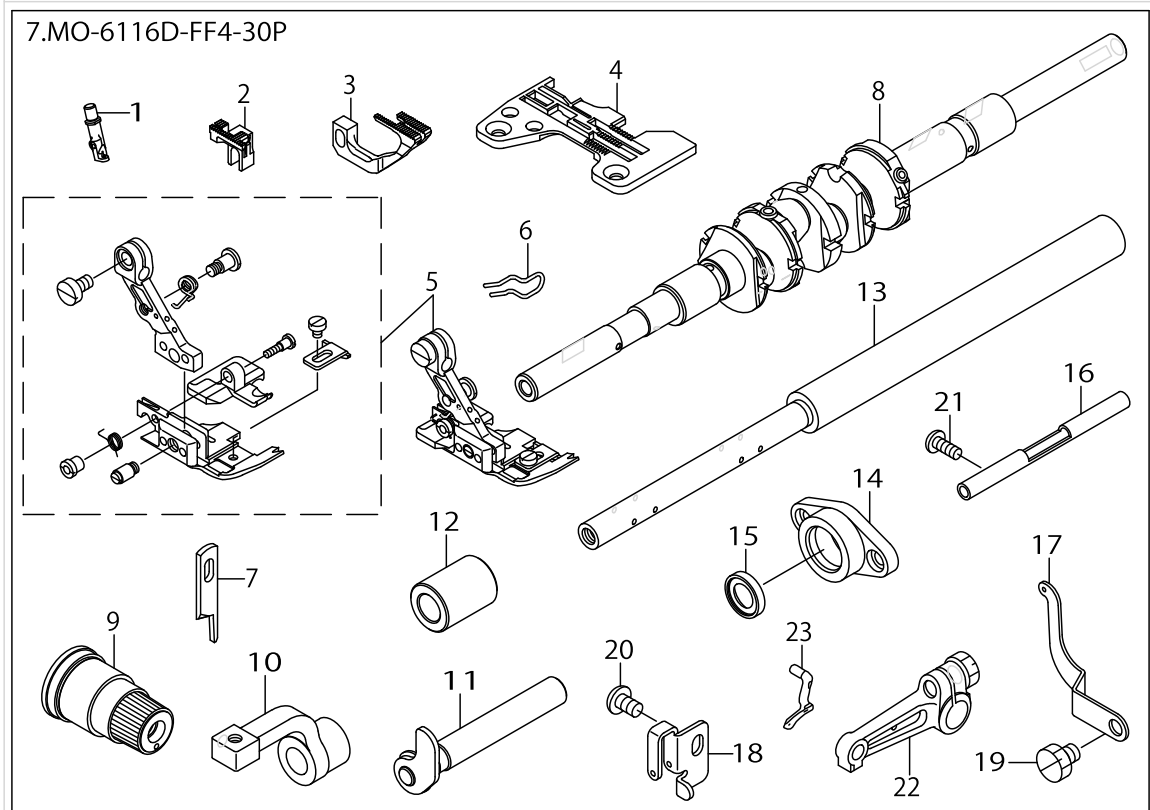
MO-6116D SUBCLASSES (2)

No.	Supply Code	Parts No.	Replacement	Parts name	Remarks	Choice	Step	Level	Cons	Qty	Rep. QTY
1	D	12150009		CHAIN LOOPER NEEDLE CLAMP						1	
2		12171302		MAIN FEED DOG						1	
3		12174603		SUB-FEED DOG						1	
4		R4505J6ED0A		THROAT PLATE	FOR MO-6-116D-BE4-30P					1	
5	R	12153953	12153961	PRESSER FOOT ASM.						1	1.00
6		13138359		THREAD TENSION SPRING JUNCTION						1	
7	R	40004537	40022784	MAIN SHAFT (30P) ASM.						1	1.00
8		12115515		PRESSERSHAFTARM						1	
9		12115655		PRESSER SHAFT ASM.						1	
10		12115812		PRESSER SHAFT METAL						1	
11		40004609		FEED SHAFT 30P						1	
12		40004612		FEED SHAFT THRU-ST COVER (30P)						1	
13		GAK33025000		OIL SEAL						1	
14		12121703		LOWER THREAD COPPER PIP						1	
15		40004732		LOWER THREAD TAKE-UP LEVER						1	
16		12121901		THREAD TAKE-UP LEVER GUIDE						1	
17		SS9150730SP		SCREW 15/64-28 L=7						1	
18		SM4050855SP		SCREW						1	
19		SM4041055SP		SCREW						1	
20		13131057		UPPER LOOPER ARM A ASM.						1	
21		R4505J6FD0A		THROAT PLATE	FOR MO-6-116D-BF4-30P					1	
22		11888104		UPPER LOOPER						1	



MO-6116D SUBCLASSES (3)

No.	Supply Code	Parts No.	Replacement	Parts name	Remarks	Choice	Step	Level	Cons	Qty	Rep. QTY
1		12171302		MAIN FEED DOG						1	
2		12174306		SUB-FEED DOG						1	
3		R4508J6DD0A		THROAT PLATE	FOR MO-6-116D-DD4-30P					1	
4	R	11879954	11879962	PRESSER FOOT ASM.						1	1.00
5		11894904		FINGER GUARD						1	
6		13138359		THREAD TENSION SPRING JUNCTION						1	
7	R	40004537	40022784	MAIN SHAFT (30P) ASM.						1	1.00
8		12115515		PRESSERSHAFTARM						1	
9		12115655		PRESSER SHAFT ASM.						1	
10		12115812		PRESSER SHAFT METAL						1	
11		40004609		FEED SHAFT 30P						1	
12		40004612		FEED SHAFT THRU-ST COVER (30P)						1	
13		GAK33025000		OIL SEAL						1	
14		12121703		LOWER THREAD COPPER PIP						1	
15		40004732		LOWER THREAD TAKE-UP LEVER						1	
16		12121901		THREAD TAKE-UP LEVER GUIDE						1	
17		SS9150730SP		SCREW 15/64-28 L=7						1	
18		SM4050855SP		SCREW						1	
19		SM4041055SP		SCREW						1	
20		13131057		UPPER LOOPER ARM A ASM.						1	
21		R4508J6ED0A		THROAT PLATE	FOR MO-6-116D-DE4-30P					1	
22		R4508J6FD0A		THROAT PLATE	FOR MO-6-116D-DF4-30P					1	
23		11888104		UPPER LOOPER						1	



MO-6116D SUBCLASSES (4)

No.	Supply Code	Parts No.	Replacement	Parts name	Remarks	Choice	Step	Level	Cons	Qty	Rep. QTY
1	R	12150306	12257507	NEEDLE CLAMP, CHAIN LOOPER						1	1.00
2		12171609		MAIN FEED DOG						1	
3		12174702		SUB-FEED DOG						1	
4		R4512J6FD0A		THROAT PLATE						1	
5	R	12154258	12154266	PRESSER FOOT ASM.						1	1.00
6		12168209		FINGER GUARD						1	
7		13150503		KNIFE						1	
8	R	40004537	40022784	MAIN SHAFT (30P) ASM.						1	1.00
9		13138359		THREAD TENSION SPRING JUNCTION						1	
10		12115515		PRESSERSHAFTARM						1	
11		12115655		PRESSER SHAFT ASM.						1	
12		12115812		PRESSER SHAFT METAL						1	
13		40004609		FEED SHAFT 30P						1	
14		40004612		FEED SHAFT THRU- ST COVER (30P)						1	
15		GAK33025000		LOWER THREAD COPPER PIP						1	
16		12121703		LOWER THREAD COPPER PIP						1	
17		40004732		LOWER THREAD TAKE-UP LEVER						1	
18		12121901		THREAD TAKE-UP LEVER GUIDE						1	
19		SS9150730SP		SCREW 15/64-28 L=7						1	
20		SM4050855SP		SCREW						1	
21		SM4041055SP		SCREW						1	
22		13131057		UPPER LOOPER ARM A ASM.						1	
23		11888104		UPPER LOOPER						1	

HOW TO MAKE USE OF THIS PARTS LIST

1.As to "#01" and "#02" refer to the "Note" given at the bottom of the respective pages.

2.Codes on the "Qty" column

- Each numeral indicates the number of parts required.
- "0.1" and "2.5" indicate the length (in meters) of the respective parts.

3.Parentheses mean that the corresponding part is a subpart that constructs an assembly part.

4.Dotted lines on the Figures indicate assembly parts.

1. リストページの# 0 1、# 0 2の印は、ページ下の"注記"の説明を参照下さい。
2. 数量欄の数字は、個数を表し、0. 1、2. 5等の数値は、長さ（単位メートル）を表します。
3. 数量欄の（ ）は、組部品を構成している子部品であることを意味します。
4. イラストページの-----枠は、組構成であることを意味します。

NUMERICAL INDEX OF PARTS

PART NO	PAGE	REF NO.	PART NO	PAGE	REF NO.
11879954	6	4	13138359	8	9
11882909	2	1	13150503	2	17
11884004	2	14	13150503	8	7
11888104	4	22	40004537	4	7
11888104	6	23	40004537	6	7
11888104	8	23	40004537	8	8
11894904	6	5	40004609	4	11
11987708	2	6	40004609	6	11
12115515	4	8	40004609	8	13
12115515	6	8	40004612	4	12
12115515	8	10	40004612	6	12
12115655	4	9	40004612	8	14
12115655	6	9	40004732	4	15
12115655	8	11	40004732	6	15
12115812	4	10	40004732	8	17
12115812	6	10	GAK33025000	4	13
12115812	8	12	GAK33025000	6	13
12121703	4	14	GAK33025000	8	15
12121703	6	14	R4505J6ED0A	4	4
12121703	8	16	R4505J6FD0A	4	21
12121901	4	16	R4508J6DD0A	6	3
12121901	6	16	R4508J6ED0A	6	21
12121901	8	18	R4508J6FD00	2	5
12150009	4	1	R4508J6FD0A	6	22
12150306	8	1	R4512J6FD0A	8	4
12153953	4	5	R4608J6ED00	2	3
12154159	2	10	R4608J6FD00	2	8
12154258	2	12	R4612J6FD00	2	16
12154258	8	5	SM4041055SP	4	19
12168209	2	13	SM4041055SP	6	19
12168209	8	6	SM4041055SP	8	21
12171302	4	2	SM4050855SP	4	18
12171302	6	1	SM4050855SP	6	18
12171609	8	2	SM4050855SP	8	20
12173209	2	2	SS9150730SP	4	17
12173308	2	15	SS9150730SP	6	17
12174306	6	2	SS9150730SP	8	19
12174603	4	3			
12174702	8	3			
12257507	2	11			
13131057	4	20			
13131057	6	20			
13131057	8	22			
13138359	4	6			
13138359	6	6			