

MODEL : MO-6114D SUBCLASSES

List No : 1355-00

# PARTS LIST

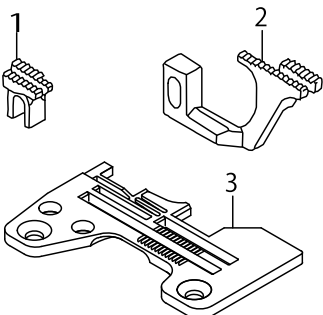
Published:05/12/2017

## CONTENTS

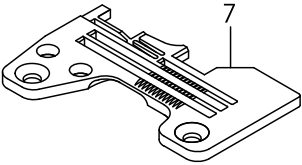
---

MO-6114D SUBCLASSES (1).....	1
MO-6114D SUBCLASSES (2).....	3
MO-6114D SUBCLASSES (3).....	5
MO-6114D SUBCLASSES (4).....	7
HOW TO MAKE USE OF THIS PARTS LIST .....	9

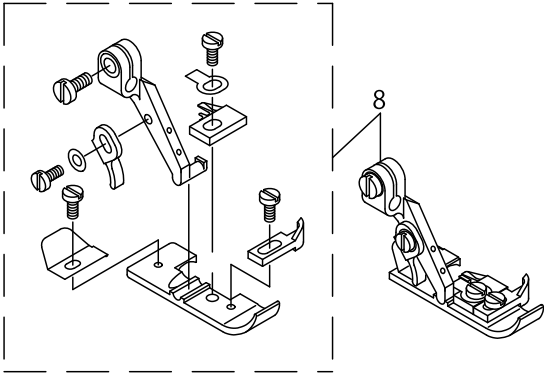
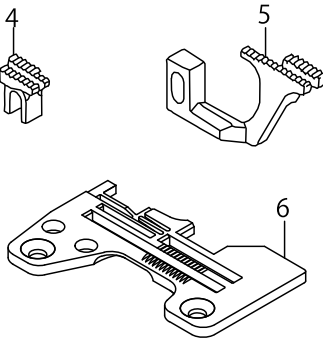
1.MO-6114D-BD4-40H



3.MO-6114D-BD6-40H



2.MO-6114D-BE4-40H

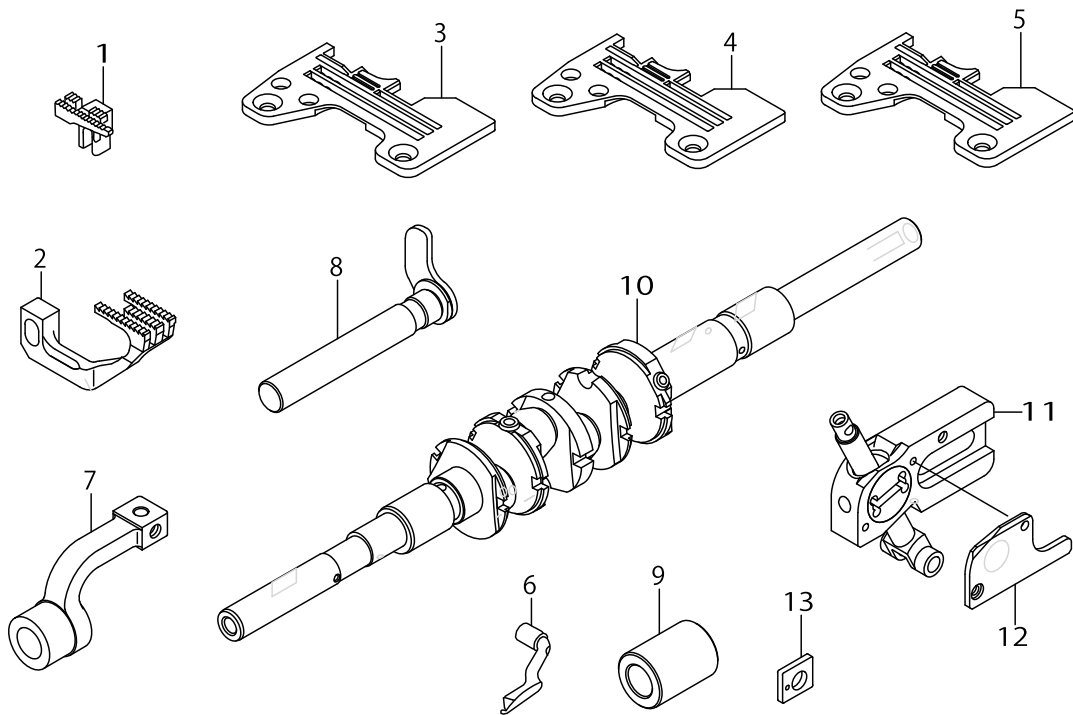


MO-6114D SUBCLASSES (1)

No.	Supply Code	Parts No.	Replacement	Parts name	Remarks	Choice	Step	Level	Cons	Qty	Rep. QTY
1		11597101		MAIN FEED DOG						1	
2		B1657814B0E		DIFFERENTIAL FEED DOG						1	
3		R4205J6DE00		THROAT PLATE						1	
4		11597101		MAIN FEED DOG						1	
5		B1657814B0E		DIFFERENTIAL FEED DOG						1	
6		R4205J6EE00		THROAT PLATE						1	
7		R4305J6DE00		THROAT PLATE						1	
8	R	12152559	12152567	PRESSER FOOT COMPL.						1	1.00

MO-6114D SUBCLASSES (2)

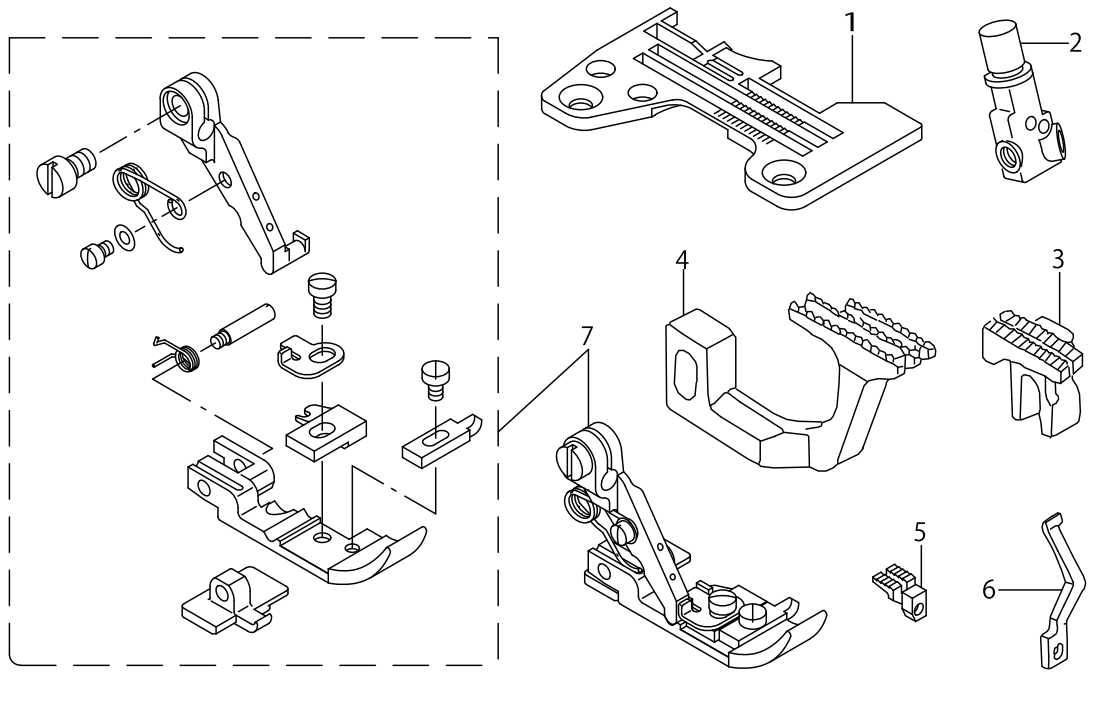
4.MO-6114D-BB6-30P,MO-6114D-BD6-30P,  
MO-6114D-BE6-30P



MO-6114D SUBCLASSES (2)

No.	Supply Code	Parts No.	Replacement	Parts name	Remarks	Choice	Step	Level	Cons	Qty	Rep. QTY
1		12171500		MAIN FEED DOG						1	
2		12172003		DIFF,FEED DOG						1	
3		R4305J6BE0A		THROAT PLATE	FOR MO-6-114D-BB6-30P					1	
4		R4305J6DE0A		THROAT PLATE	FOR MO-6-114D-BD6-30P					1	
5		R4305J6EE0B		THROAT PLATE	FOR MO-6-114D-BE6-30P					1	
6		12176004		UPPER LOOPER						1	
7		12115515		PRESSERSHAFTARM						1	
8		12115655		PRESSER SHAFT ASM.						1	
9		12115812		PRESSER SHAFT METAL						1	
10	R	40004537	40022784	MAIN SHAFT (30P) ASM.						1	1.00
11	R	40004710	40039401	LOOPER GUIDE SUPPORT B ASM.						1	1.00
12		40004714		UPPER LOOPER GUIDE COVER B						1	
13		13131909		GUIDE SUPPORT GAUGE						1	

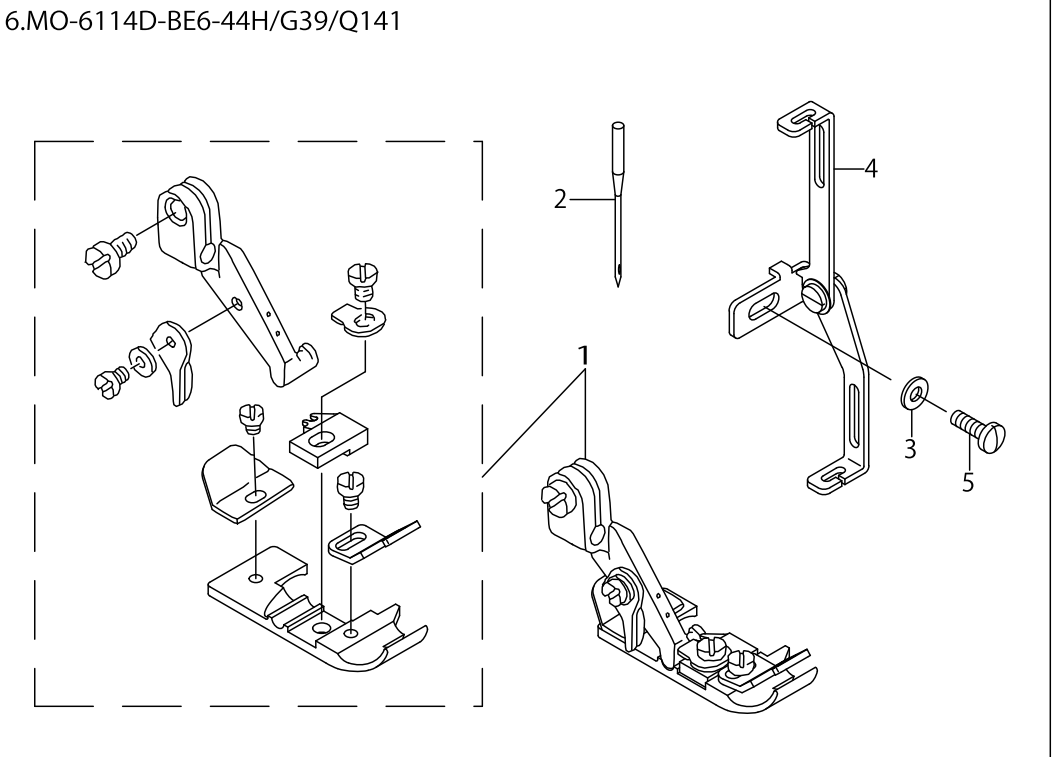
5.MO-6114D-CF6-40H



MO-6114D SUBCLASSES (3)

No.	Supply Code	Parts No.	Replacement	Parts name	Remarks	Choice	Step	Level	Cons	Qty	Rep. QTY
1		R4306J6FE00		THROAT PLATE						1	
2		12149308		NEEDLE CLAMP, 2-NEEDLE						1	
3		11882503		MAIN FEED DOG						1	
4		11790706		DIFFERENTIAL FEED DOG						1	
5		11887205		AUXILIARY FEED DOG						1	
6		11890407		NEEDLE GUARD						1	
7	R	11984457	11984465	PRESSER ASM.						1	1.00





MO-6114D SUBCLASSES (4)

No.	Supply Code	Parts No.	Replacement	Parts name	Remarks	Choice	Step	Level	Cons	Qty	Rep. QTY
1	R	12152955	12152963	PRESSER FOOT ASM.						1	1.00
2		MDC270B1400		NEEDLE DCX27 #14						2	
3		WP0371016SD		WASHER 3.7X8X1						1	
4	R	MAQ141000A0	MAQ141000B0	TAPE GUIDE ASM.						1	1.00
5		SS7091110TP		SCREW 9/64-40 L=10.5						1	

## HOW TO MAKE USE OF THIS PARTS LIST

1.As to "#01" and "#02" refer to the "Note" given at the bottom of the respective pages.

2.Codes on the "Qty" column

- Each numeral indicates the number of parts required.
- "0.1" and "2.5" indicate the length (in meters) of the respective parts.

3.Parentheses mean that the corresponding part is a subpart that constructs an assembly part.

4.Dotted lines on the Figures indicate assembly parts.

1. リストページの# 0 1、# 0 2の印は、ページ下の"注記"の説明を参照下さい。
2. 数量欄の数字は、個数を表し、0. 1、2. 5等の数値は、長さ（単位メートル）を表します。
3. 数量欄の（ ）は、組部品を構成している子部品であることを意味します。
4. イラストページの-----枠は、組構成であることを意味します。

# NUMERICAL INDEX OF PARTS

PART NO	PAGE	REF NO.
11597101	2	4
11790706	6	4
11882503	6	3
11887205	6	5
11890407	6	6
11984457	6	7
12115515	4	7
12115655	4	8
12115812	4	9
12149308	6	2
12152559	2	8
12152955	8	1
12171500	4	1
12172003	4	2
12176004	4	6
13131909	4	13
40004537	4	10
40004710	4	11
40004714	4	12
B1657814B0E	2	5
MAQ141000A0	8	4
MDC270B1400	8	2
R4205J6DE00	2	3
R4205J6EE00	2	6
R4305J6BE0A	4	3
R4305J6DE00	2	7
R4305J6DE0A	4	4
R4305J6EE0B	4	5
R4306J6FE00	6	1
SS7091110TP	8	5
WP0371016SD	8	3