

MODEL : LK-1910-5241/LK-1910-4261

List No : 1336-00

# PARTS LIST

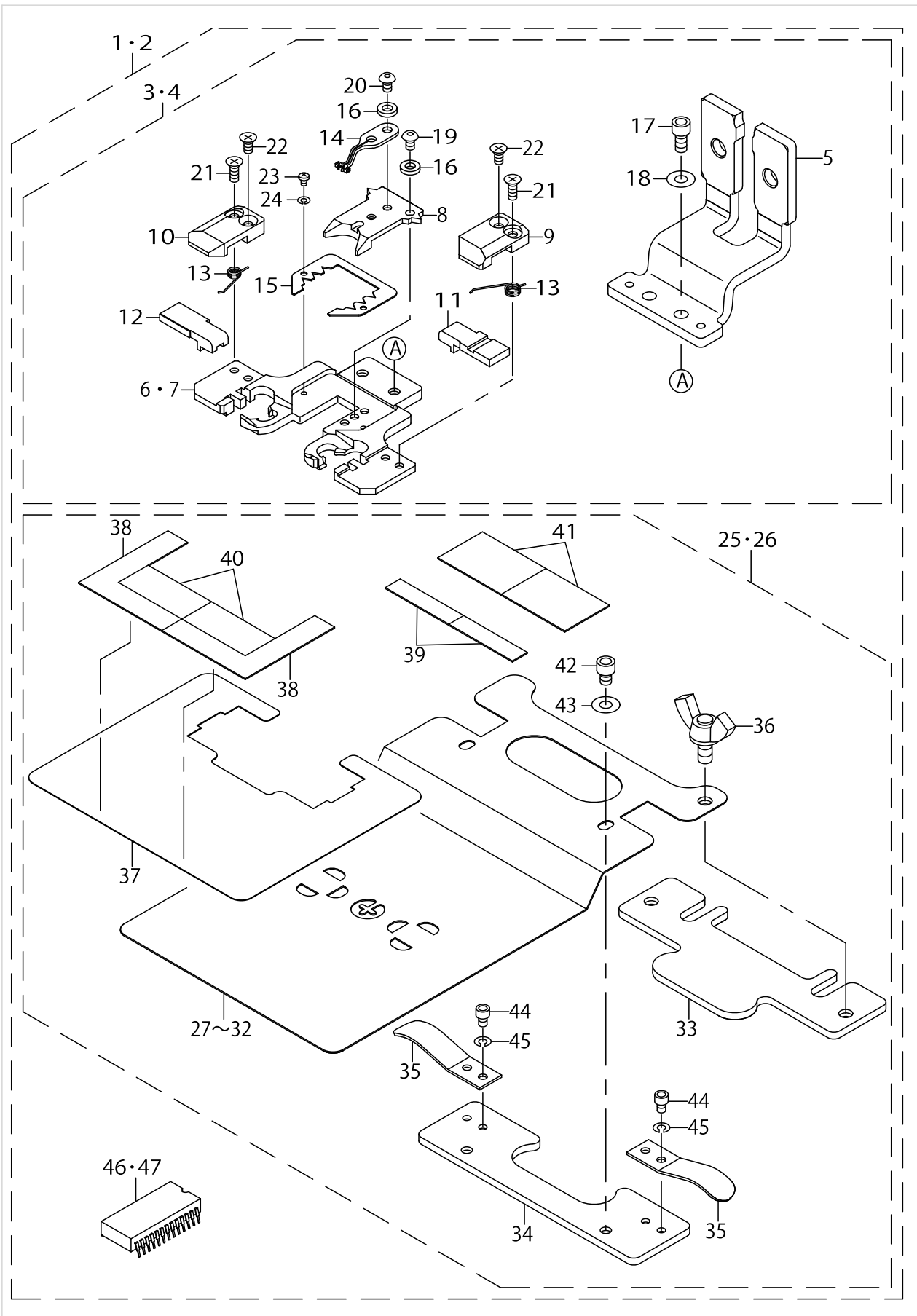
Published:05/12/2017

## CONTENTS

---

|  |    |
|--|----|
| LK-1910-5241/5261 SEWING HOOKS ATTACHMENT COMPONENTS ..... | 1  |
| LK-1910-5242 SEWING EYES ATTACHMENT COMPONENTS .....       | 5  |
| WIPER COMPONENTS.....                                      | 7  |
| HAND SWITCH COMPONENTS .....                               | 9  |
| NEEDLE BAR & TABLE COMPONENTS.....                         | 11 |
| CONTROL BOX & ACCESSORIES PARTS COMPONENTS.....            | 13 |
| OPTION & ATTACHMENT COMPONENTS (1) .....                   | 15 |
| OPTION & ATTACHMENT COMPONENTS (2).....                    | 19 |
| HOW TO MAKE USE OF THIS PARTS LIST .....                   | 21 |

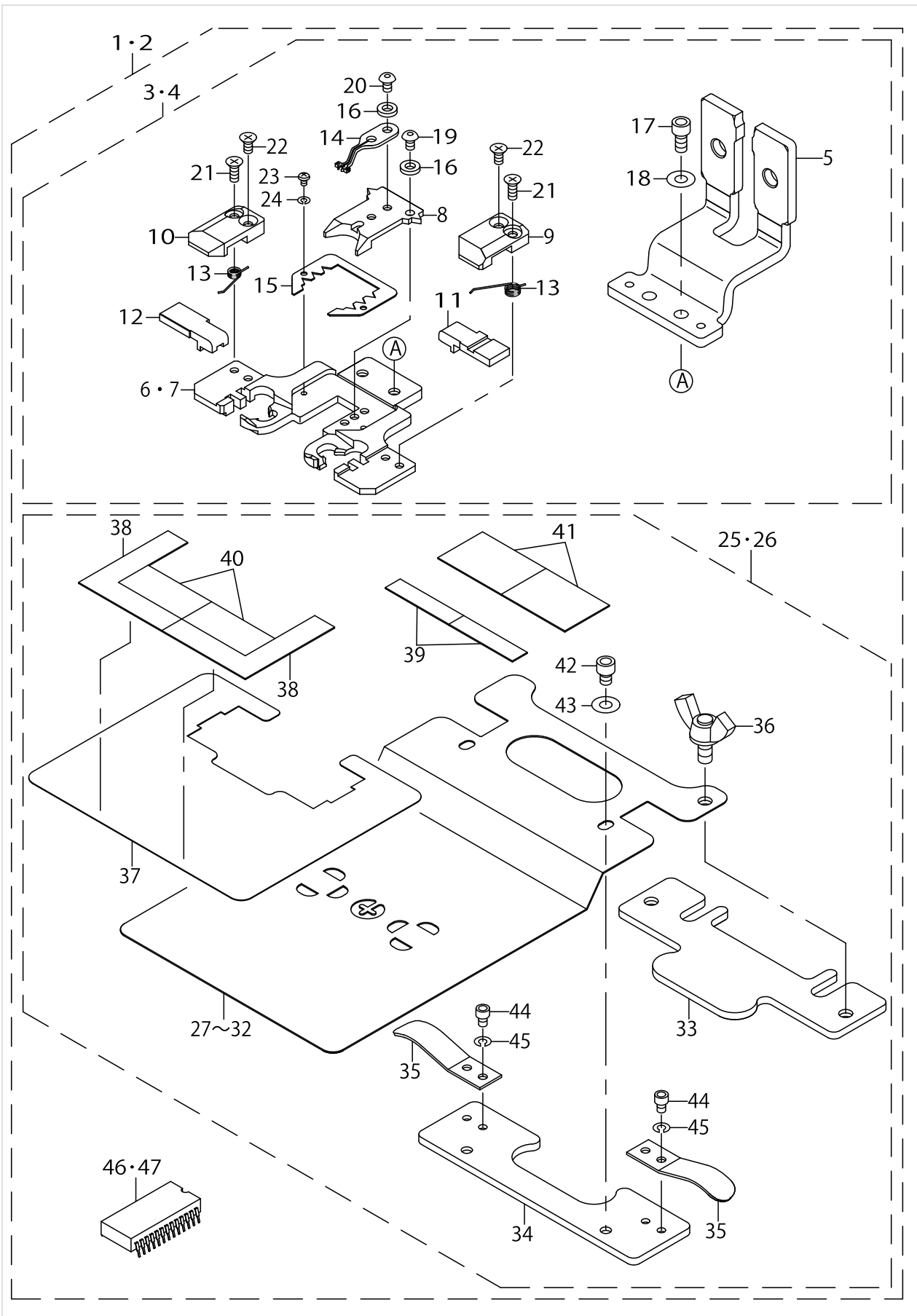
LK-1910-5241/5261 SEWING HOOKS ATTACHMENT COMPONENTS



LK-1910-5241/5261 SEWING HOOKS ATTACHMENT COMPONENTS

| No. | Supply Code | Parts No.   | Replacement | Parts name                    | Remarks                          | Choice | Step | Level | Cons | Qty | Rep. QTY |
|-----|-------------|-------------|-------------|-------------------------------|----------------------------------|--------|------|-------|------|-----|----------|
| 1   |             | 40005742    |             | SEWING HOOKS AT-TACHMENT ASM. | EXCLUSIVE PARTS FOR LK-1910-5241 |        |      |       |      | 1   |          |
| 2   |             | 40005743    |             | SEWING HOOKS AT-TACHMENT ASM. | EXCLUSIVE PARTS FOR LK-1910-5261 |        |      |       |      | 1   |          |
| 3   |             | 40004806    |             | SEWING HOOKS AT-TACHMENT ASM. | EXCLUSIVE PARTS FOR LK-1910-5241 |        |      | *     |      | 1   |          |
| 4   |             | 40004850    |             | SEWING HOOKS AT-TACHMENT ASM. | EXCLUSIVE PARTS FOR LK-1910-5261 |        |      | *     |      | 1   |          |
| 5   |             | 14217764    |             | SLIDING PLATE COMPL.          |                                  |        |      | *     |      | 1   |          |
| 6   |             | 40004808    |             | BASE                          | EXCLUSIVE PARTS FOR LK-1910-5241 |        |      | *     |      | 1   |          |
| 7   |             | 40004852    |             | BASE                          | EXCLUSIVE PARTS FOR LK-1910-5261 |        |      | *     |      | 1   |          |
| 8   |             | 40004809    |             | SNAP PLATE                    |                                  |        |      | *     |      | 1   |          |
| 9   |             | 40004810    |             | COVER ,RIGHT                  |                                  |        |      | *     |      | 1   |          |
| 10  |             | 40004811    |             | COVER ,LEFT                   |                                  |        |      | *     |      | 1   |          |
| 11  |             | 40004812    |             | PUSHER ,RIGHT                 |                                  |        |      | *     |      | 1   |          |
| 12  |             | 40004813    |             | PUSHER ,LEFT                  |                                  |        |      | *     |      | 1   |          |
| 13  |             | 40004814    |             | PUSHER SPRING                 |                                  |        |      | *     |      | 2   |          |
| 14  |             | 40004815    |             | PUSHER HOLDER                 |                                  |        |      | *     |      | 1   |          |
| 15  |             | 40004816    |             | SNAP AUXILIARY PLATE          |                                  |        |      | *     |      | 1   |          |
| 16  |             | 40004829    |             | SPACER                        |                                  |        |      | *     |      | 3   |          |
| 17  |             | SM6040802TN |             | SCREW                         |                                  |        |      | *     |      | 2   |          |
| 18  |             | WP0450826SC |             | WASHER 4.5X10X0.8             |                                  |        |      | *     |      | 2   |          |
| 19  |             | SM3030552TN |             | SCREW M3 L=5                  |                                  |        |      | *     |      | 1   |          |
| 20  |             | SM3030552TN |             | SCREW M3 L=5                  |                                  |        |      | *     |      | 2   |          |
| 21  |             | SM1030801SR |             | SCREW M3 L=8                  |                                  |        |      | *     |      | 2   |          |
| 22  |             | SM1030601SC |             | SCREW M3 L=6                  |                                  |        |      | *     |      | 2   |          |
| 23  |             | SM4020301SC |             | SCREW M2X0.4 L=3              |                                  |        |      | *     |      | 2   |          |
| 24  |             | WS0210002KN |             | SPRING WASHER M2              |                                  |        |      | *     |      | 2   |          |
| 25  |             | 40004807    |             | FEED PLATE ASM. HOOKS M-508   | EXCLUSIVE PARTS FOR LK-1910-5241 |        |      | *     |      | 1   |          |
| 26  | D           | 40004851    |             | FEED PLATE ASM. HOOKS M-608   | EXCLUSIVE PARTS FOR LK-1910-5261 |        |      | *     |      | 1   |          |
| 27  |             | 40004817    |             | FEED PLATE                    | EXCLUSIVE PARTS FOR LK-1910-5241 |        |      | *     |      | 1   |          |
| 28  |             | 40004827    |             | FEED PLATE 5 M-508 HOOKS      | OPTIONAL PARTS FOR LK-1910-5241  |        |      | *     |      | 1   |          |
| 29  |             | 40004828    |             | FEED PLATE 10 M-508 HOOKS     | OPTIONAL PARTS FOR LK-1910-5241  |        |      | *     |      | 1   |          |
| 30  |             | 40004853    |             | FEED PLATE                    | EXCLUSIVE PARTS FOR LK-1910-5261 |        |      | *     |      | 1   |          |
| 31  | D           | 40004854    |             | FEED PLATE 5 M-608 HOOKS      | OPTIONAL PARTS FOR LK-1910-5261  |        |      | *     |      | 1   |          |
| 32  | D           | 40004855    |             | FEED PLATE 10 M-608 HOOKS     | OPTIONAL PARTS FOR LK-1910-5261  |        |      | *     |      | 1   |          |
| 33  |             | 40004818    |             | FITTING PLATE                 |                                  |        |      | *     |      | 1   |          |

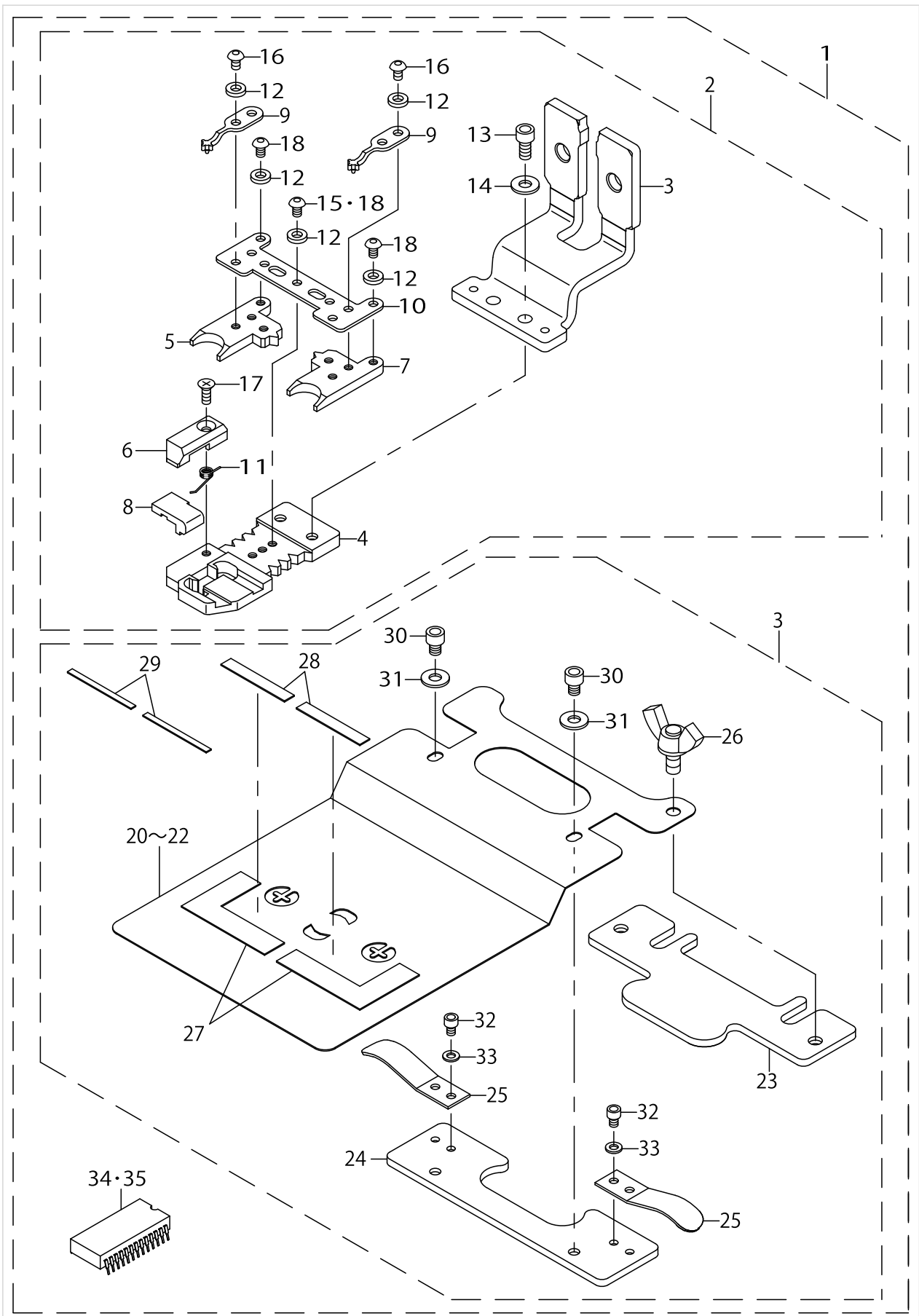
LK-1910-5241/5261 SEWING HOOKS ATTACHMENT COMPONENTS



LK-1910-5241/5261 SEWING HOOKS ATTACHMENT COMPONENTS

| No. | Supply Code | Parts No.   | Replacement | Parts name                | Remarks                          | Choice | Step | Level | Cons | Qty | Rep. QTY |
|-----|-------------|-------------|-------------|---------------------------|----------------------------------|--------|------|-------|------|-----|----------|
| 34  |             | 40004819    |             | FITTING AUXILIARY PLATE   |                                  |        |      | *     |      | 1   |          |
| 35  |             | 40004820    |             | LEVER                     |                                  |        |      | *     |      | 2   |          |
| 36  |             | 16137804    |             | WING SCREW                |                                  |        |      | *     |      | 1   |          |
| 37  |             | 40004822    |             | PLATE                     |                                  |        |      | *     |      | 1   |          |
| 38  |             | 40004823    |             | FIXING L GAUGE            |                                  |        |      | *     |      | 2   |          |
| 39  |             | 40004824    |             | GAUGE 2.5                 |                                  |        |      | *     |      | 2   |          |
| 40  |             | 40004825    |             | GAUGE 3                   |                                  |        |      | *     |      | 2   |          |
| 41  |             | 40004826    |             | GAUGE 3.5                 |                                  |        |      | *     |      | 2   |          |
| 42  | R           | SM6040502TN | SM6040502TP | SCREW                     |                                  |        |      | *     |      | 2   | 1.00     |
| 43  |             | WP0450826SC |             | WASHER 4.5X10X0.8         |                                  |        |      | *     |      | 2   |          |
| 44  |             | SM6030402TN |             | SCREW M3X4                |                                  |        |      | *     |      | 4   |          |
| 45  |             | WS0310002KR |             | SPRING WASHER 3.1X5.9X0.7 |                                  |        |      | *     |      | 4   |          |
| 46  |             | HL011940004 |             | MEMORY IC (M508)          | EXCLUSIVE PARTS FOR LK-1910-5241 |        |      | *     |      | 1   |          |
| 47  |             | HL011940003 |             | MEMORY IC (M608)          | EXCLUSIVE PARTS FOR LK-1910-5261 |        |      | *     |      | 1   |          |

LK-1910-5242 SEWING EYES ATTACHMENT COMPONENTS

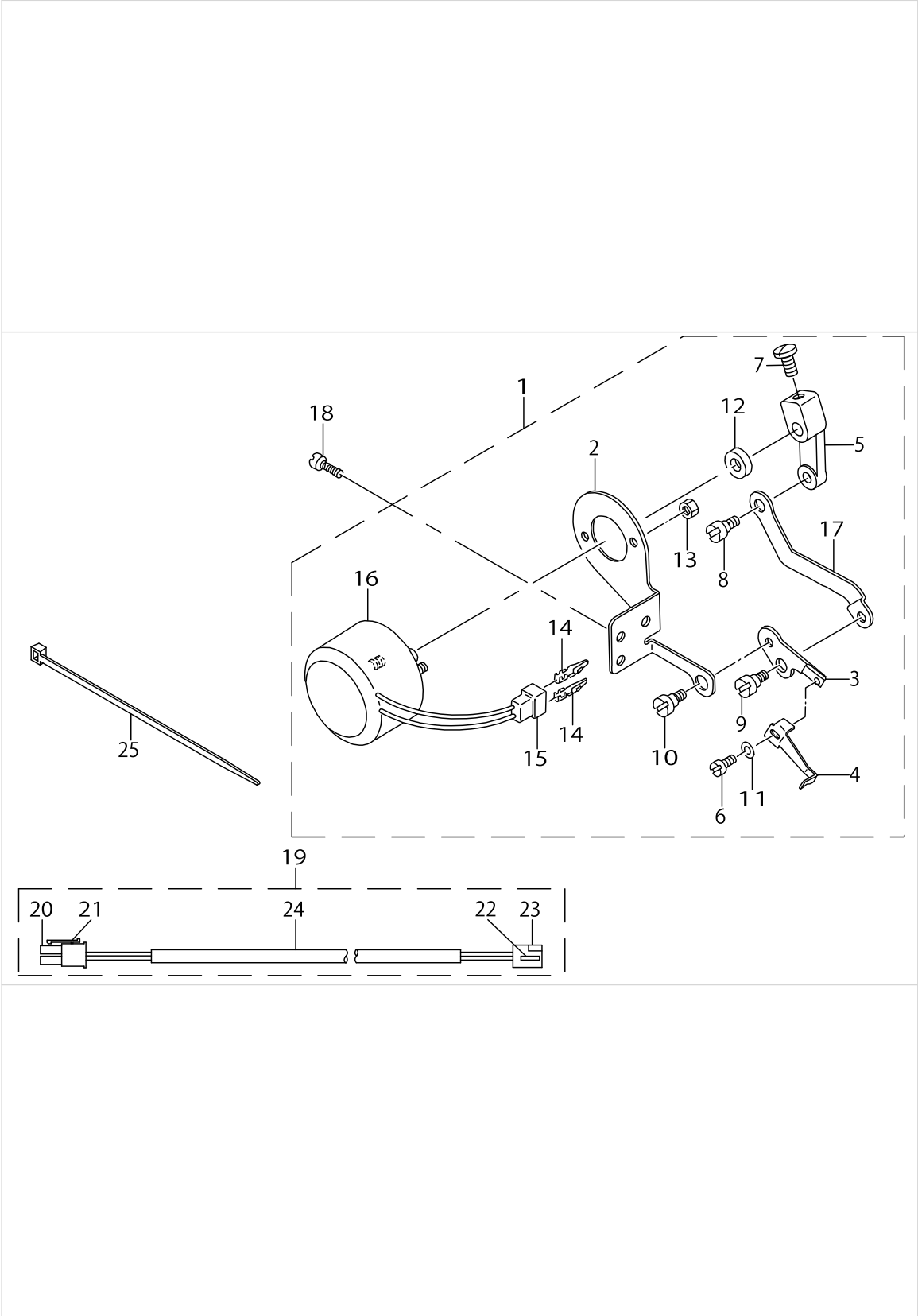


LK-1910-5242 SEWING EYES ATTACHMENT COMPONENTS

| No. | Supply Code | Parts No.   | Replacement | Parts name                  | Remarks        | Choice | Step | Level | Cons | Qty | Rep. QTY |
|-----|-------------|-------------|-------------|-----------------------------|----------------|--------|------|-------|------|-----|----------|
| 1   |             | 40005744    |             | SEWING EYES ATTACHMENT ASM. |                |        |      |       |      | 1   |          |
| 2   |             | 40004830    |             | SEWING EYES ATTACHMENT ASM. |                |        |      | *     |      | 1   |          |
| 3   |             | 14217764    |             | SLIDING PLATE COMPL.        |                |        |      | *     |      | 1   |          |
| 4   |             | 40004832    |             | BASE                        |                |        |      | *     |      | 1   |          |
| 5   |             | 40004833    |             | SNAP AUXILIARY BASE, LEFT   |                |        |      | *     |      | 1   |          |
| 6   |             | 40004834    |             | COVER                       |                |        |      | *     |      | 1   |          |
| 7   |             | 40004835    |             | SNAP AUXILIARY BASE, RIGHT  |                |        |      | *     |      | 1   |          |
| 8   |             | 40004836    |             | PUSHER                      |                |        |      | *     |      | 1   |          |
| 9   |             | 40004837    |             | SNAP HOLDER                 |                |        |      | *     |      | 2   |          |
| 10  |             | 40004838    |             | SNAP AUXILIARY PLATE        |                |        |      | *     |      | 1   |          |
| 11  |             | 40004814    |             | PUSHER SPRING               |                |        |      | *     |      | 1   |          |
| 12  |             | 40004829    |             | SPACER                      |                |        |      | *     |      | 9   |          |
| 13  |             | SM6040802TN |             | SCREW                       |                |        |      | *     |      | 2   |          |
| 14  |             | WP0450826SC |             | WASHER 4.5X10X0.8           |                |        |      | *     |      | 2   |          |
| 15  |             | SM3030552TN |             | SCREW M3 L=5                |                |        |      | *     |      | 1   |          |
| 16  |             | SM3030552TN |             | SCREW M3 L=5                |                |        |      | *     |      | 4   |          |
| 17  |             | SM1030801SR |             | SCREW M3 L=8                |                |        |      | *     |      | 1   |          |
| 18  |             | SM3030552TN |             | SCREW M3 L=5                |                |        |      | *     |      | 4   |          |
| 19  |             | 40004831    |             | FEED PLATE ASM. EYES M-508  |                |        |      | *     |      | 1   |          |
| 20  |             | 40004839    |             | FEED PLATE                  |                |        |      | *     |      | 1   |          |
| 21  |             | 40004843    |             | FEED PLATE 5 EYES M-508     | OPTIONAL PARTS |        |      | *     |      | 1   |          |
| 22  |             | 40004844    |             | FEED PLATE 10 EYES M-508    | OPTIONAL PARTS |        |      | *     |      | 1   |          |
| 23  |             | 40004818    |             | FITTING PLATE               |                |        |      | *     |      | 1   |          |
| 24  |             | 40004819    |             | FITTING AUXILIARY PLATE     |                |        |      | *     |      | 1   |          |
| 25  |             | 40004820    |             | LEVER                       |                |        |      | *     |      | 2   |          |
| 26  |             | 16137804    |             | WING SCREW                  |                |        |      | *     |      | 1   |          |
| 27  |             | 40004840    |             | FIXING L GAUGE              |                |        |      | *     |      | 2   |          |
| 28  |             | 40004841    |             | GAUGE 3                     |                |        |      | *     |      | 2   |          |
| 29  |             | 40004842    |             | GAUGE 3.5                   |                |        |      | *     |      | 2   |          |
| 30  | R           | SM6040502TN | SM6040502TP | SCREW                       |                |        |      | *     |      | 2   | 1.00     |
| 31  |             | WP0450826SC |             | WASHER 4.5X10X0.8           |                |        |      | *     |      | 2   |          |
| 32  |             | SM6030402TN |             | SCREW M3X4                  |                |        |      | *     |      | 4   |          |
| 33  |             | WS0310002KR |             | SPRING WASHER 3.1X5.9X0.7   |                |        |      | *     |      | 4   |          |
| 34  |             | HL011940004 |             | MEMORY IC(M508)             |                |        |      | *     |      | 1   |          |
| 35  |             | HL011940003 |             | MEMORY IC(M608)             |                |        |      | *     |      | 1   |          |



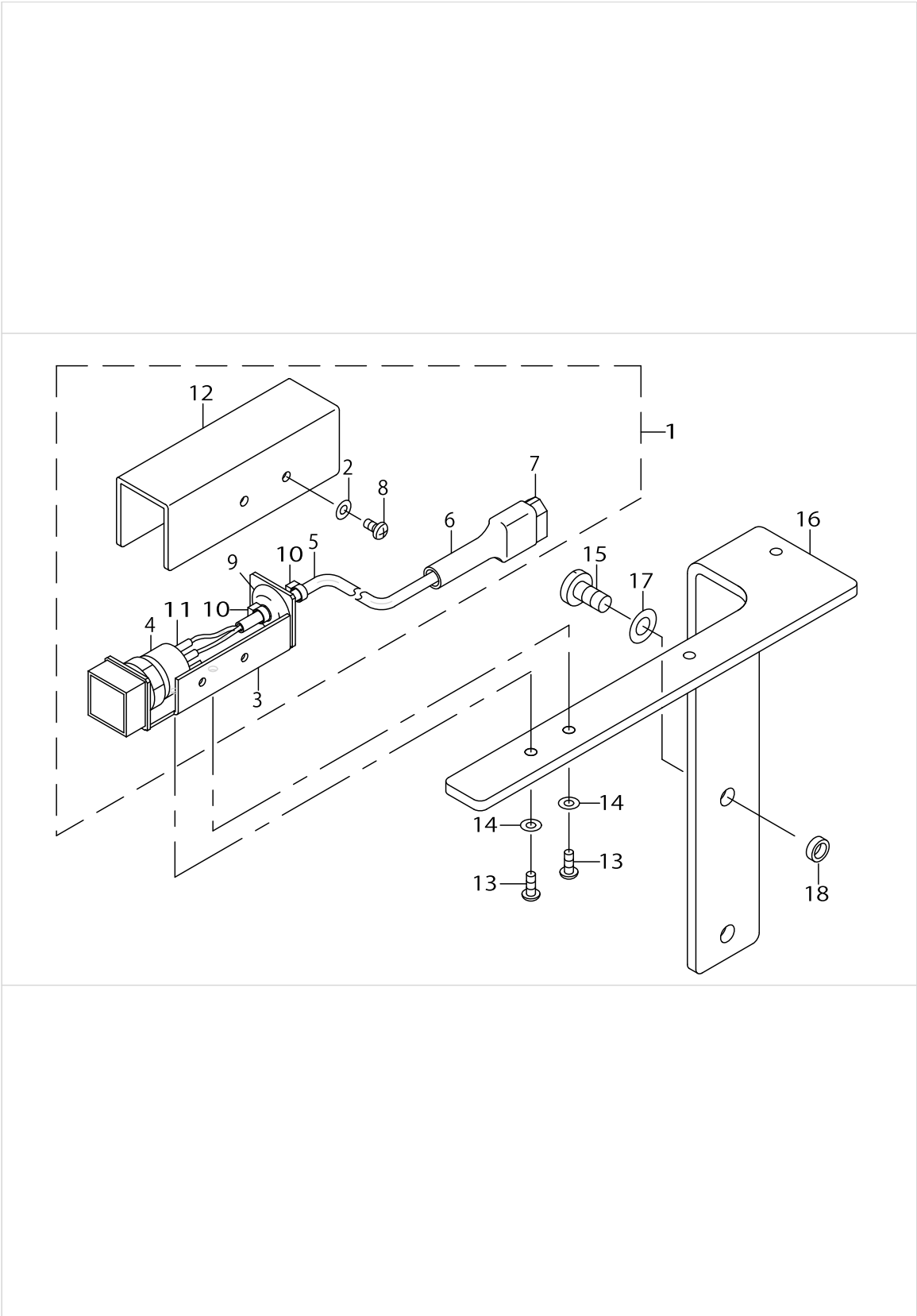
WIPER COMPONENTS



WIPER COMPONENTS

| No. | Supply Code | Parts No.   | Replacement | Parts name                 | Remarks | Choice | Step | Level | Cons | Qty | Rep. QTY |
|-----|-------------|-------------|-------------|----------------------------|---------|--------|------|-------|------|-----|----------|
| 1   |             | B21012200A0 |             | WIPER ASM.                 |         |        |      |       |      | 1   |          |
| 2   |             | B2104220000 |             | SOLENOID INSTALLING PLATE  |         |        |      | *     |      | 1   |          |
| 3   |             | B2106220000 |             | WIPER INSTALLING PLATE     |         |        |      | *     |      | 1   |          |
| 4   |             | B2107210000 |             | WIPER                      |         |        |      | *     |      | 1   |          |
| 5   |             | B210220500A |             | WIPER ARM                  |         |        |      | *     |      | 1   |          |
| 6   |             | SS6090630TP |             | SCREW 9/64-40 L=6          |         |        |      | *     |      | 1   |          |
| 7   | R           | SS7111120SP | SS7111120TP | SCREW 11/64-40 L=10.5      |         |        |      | *     |      | 1   | 1.00     |
| 8   |             | SD0600352SP |             | HINGE SCREW                |         |        |      | *     |      | 1   |          |
| 9   |             | SD0640321SP |             | HINGE SCREW D= 6.35 H= 3.2 |         |        |      | *     |      | 1   |          |
| 10  |             | SD0640321SP |             | HINGE SCREW D= 6.35 H= 3.2 |         |        |      | *     |      | 1   |          |
| 11  |             | WP0371016SD |             | WASHER 3.7X8X1             |         |        |      | *     |      | 1   |          |
| 12  |             | WP0561616SC |             | WASHER 5.6X16X1.6          |         |        |      | *     |      | 1   |          |
| 13  |             | NM6040003SC |             | NUT M4                     |         |        |      | *     |      | 2   |          |
| 14  |             | HP000200200 |             | PIN-SHAPE TERMINAL, MALE   |         |        |      | *     |      | 2   |          |
| 15  |             | HK018800020 |             | 2-POLE PLUG                |         |        |      | *     |      | 1   |          |
| 16  |             | B2101220000 |             | WIPER SOLENOID             |         |        |      | *     |      | 1   |          |
| 17  |             | B2103220000 |             | WIPER CONNECTING PLATE     |         |        |      | *     |      | 1   |          |
| 18  |             | SS7110840SP |             | SCREW 11/64-40 L=7.8       |         |        |      |       |      | 2   |          |
| 19  |             | M90605920A0 |             | CONNECTING CABLE ASM.      |         |        |      |       |      | 1   |          |
| 20  |             | HK03461002B |             | HOUSING                    |         |        |      | *     |      | 1   |          |
| 21  |             | HK034640000 |             | PIN CONTACT                |         |        |      | *     |      | 2   |          |
| 22  |             | HP000600210 |             | CONNECTOR PIN              |         |        |      | *     |      | 2   |          |
| 23  |             | HK018820020 |             | RECEPTACLE 2P              |         |        |      | *     |      | 1   |          |
| 24  | D           | HW000590020 |             | CABTYRE CORD               |         |        |      | *     |      | 1.7 |          |
| 25  |             | EA9500B0100 |             | CABLE BAND                 |         |        |      |       |      | 1   |          |

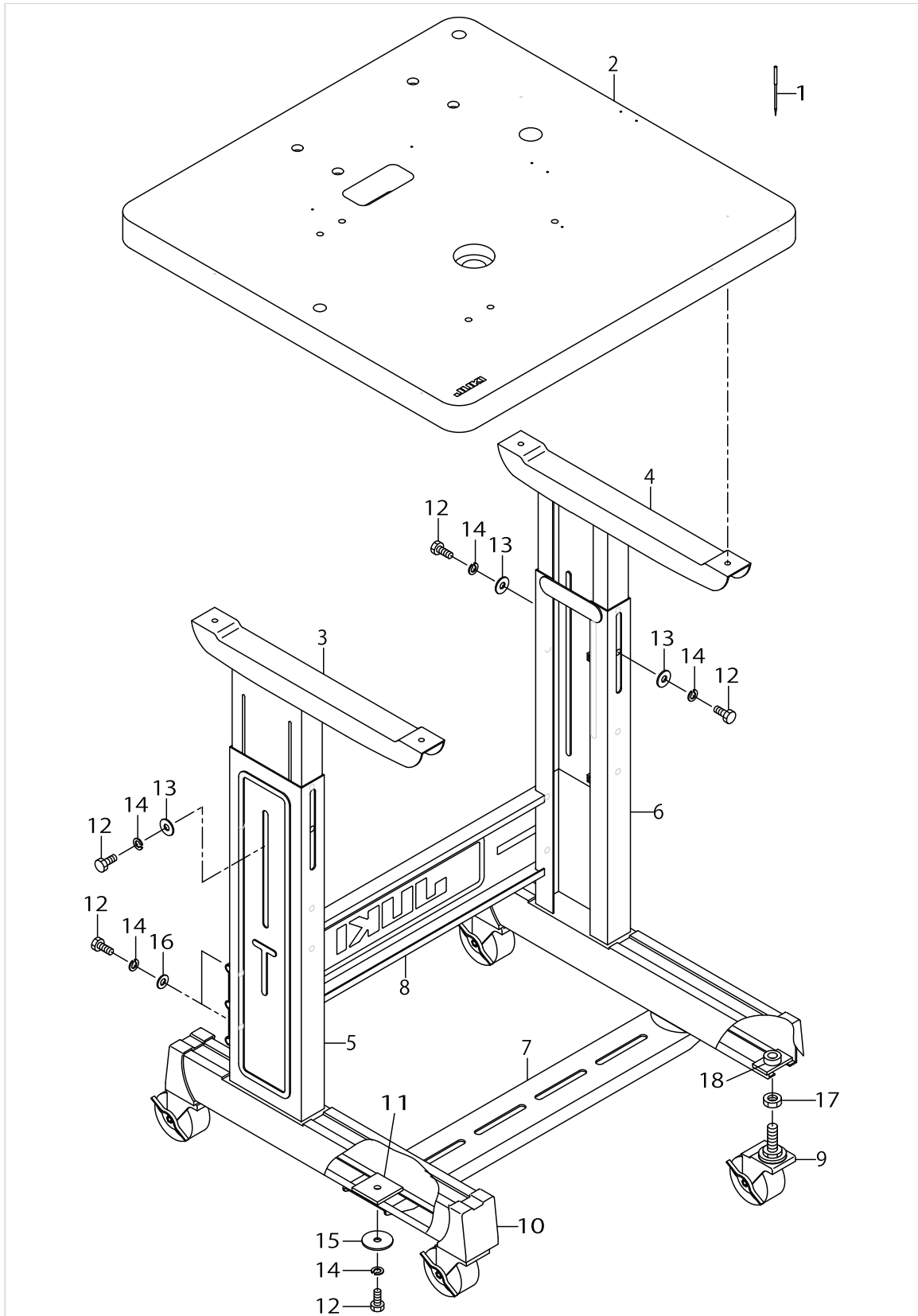
HAND SWITCH COMPONENTS



## HAND SWITCH COMPONENTS

| No. | Supply Code | Parts No.    | Replacement | Parts name                | Remarks | Choice | Step | Level | Cons | Qty  | Rep. QTY |
|-----|-------------|--------------|-------------|---------------------------|---------|--------|------|-------|------|------|----------|
| 1   |             | D8310205KAA  |             | NEAR SWITCH A ASM.        |         |        |      |       |      | 1    |          |
| 2   |             | WP0320501SC  |             | WASHER M3                 |         |        |      | *     |      | 2    |          |
| 3   | D           | D1129205K0AA |             | SWITCH BASE               |         |        |      | *     |      | 1    |          |
| 4   |             | HA002830000  |             | PUSH SWITCH               |         |        |      | *     |      | 1    |          |
| 5   |             | HW500140000  |             | 2-C CABLE                 |         |        |      | *     |      | 1.6  |          |
| 6   |             | MAT81126T00  |             | 2-POLE PLUG COVER         |         |        |      | *     |      | 1    |          |
| 7   |             | MAI15040000  |             | 2-POLE PLUG               |         |        |      | *     |      | 1    |          |
| 8   |             | SM4030601SN  |             | SCREW M3 X 6              |         |        |      | *     |      | 2    |          |
| 9   | D           | D2570205K0A  |             | GLOMMET                   |         |        |      | *     |      | 1    |          |
| 10  |             | EA9500B0000  |             | CLIP CV-70S               |         |        |      | *     |      | 2    |          |
| 11  |             | E8760452D00  |             | TUBE 0.015M               |         |        |      | *     |      | 0.06 |          |
| 12  |             | G6214345000  |             | START SWITCH COVER        |         |        |      | *     |      | 1    |          |
| 13  |             | SM4030801SN  |             | SCREW M3 L=8              |         |        |      |       |      | 2    |          |
| 14  |             | WP0320501SC  |             | WASHER M3                 |         |        |      |       |      | 2    |          |
| 15  |             | SS7151210SP  |             | SCREW 15/64-28L=12        |         |        |      |       |      | 2    |          |
| 16  |             | 40004861     |             | HAND SWITCH FITTING PLATE |         |        |      |       |      | 1    |          |
| 17  |             | WP0641601SD  |             | WASHER M6                 |         |        |      |       |      | 2    |          |
| 18  |             | B1504280000  |             | COLLAR                    |         |        |      |       |      | 2    |          |

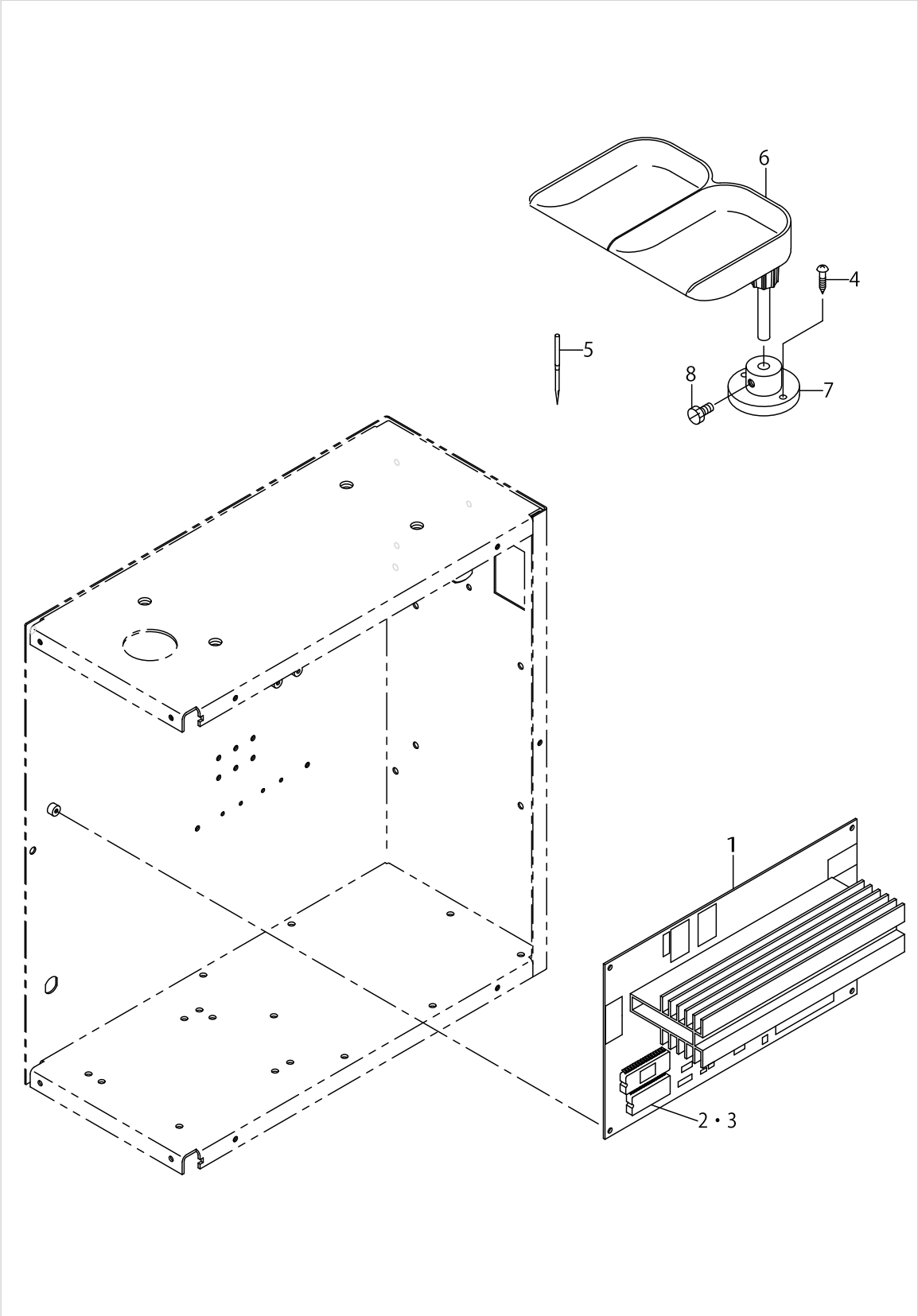
# NEEDLE BAR & TABLE COMPONENTS



NEEDLE BAR & TABLE COMPONENTS

| No. | Supply Code | Parts No.   | Replacement | Parts name                | Remarks | Choice | Step | Level | Cons | Qty | Rep. QTY |
|-----|-------------|-------------|-------------|---------------------------|---------|--------|------|-------|------|-----|----------|
| 1   |             | MDP170B1400 |             | NEEDLE DPX17 #14          |         |        |      |       |      | 1   |          |
| 2   |             | 40004860    |             | TABLE                     |         |        |      |       |      | 1   |          |
| 3   |             | B81012050BA |             | UPPER STAND ASM., LEFT    |         |        |      |       |      | 1   |          |
| 4   |             | B81022050AA |             | UPPER STAND COMPL., RIGHT |         |        |      |       |      | 1   |          |
| 5   |             | 18077909    |             | LOWER LEG, LEFT           |         |        |      |       |      | 1   |          |
| 6   |             | 18078006    |             | LOWER LEG, RIGHT          |         |        |      |       |      | 1   |          |
| 7   |             | D8307205K0A |             | LEG BOTTOM SUPPORT        |         |        |      |       |      | 1   |          |
| 8   |             | D8308205K0A |             | STAND SIDE SUPPORT        |         |        |      |       |      | 1   |          |
| 9   |             | 17007204    |             | CASTER                    |         |        |      |       |      | 4   |          |
| 10  | D           | 18078204    |             | CAP                       |         |        |      |       |      | 4   |          |
| 11  |             | 17007402    |             | NUT                       |         |        |      |       |      | 2   |          |
| 12  |             | SM9082023SE |             | SCREW M8 L=20             |         |        |      |       |      | 12  |          |
| 13  | D           | 17007907    |             | WASHER                    |         |        |      |       |      | 6   |          |
| 14  |             | WS0861410KR |             | SPRING WASHER 8.6X15X1.4  |         |        |      |       |      | 12  |          |
| 15  |             | 17008004    |             | WASHER                    |         |        |      |       |      | 2   |          |
| 16  | D           | 17008103    |             | WASHER                    |         |        |      |       |      | 4   |          |
| 17  |             | NM6120003SE |             | NUT M12                   |         |        |      |       |      | 4   |          |
| 18  | D           | 17007105    |             | RING                      |         |        |      |       |      | 4   |          |

CONTROL BOX & ACCESSORIES PARTS COMPONENTS

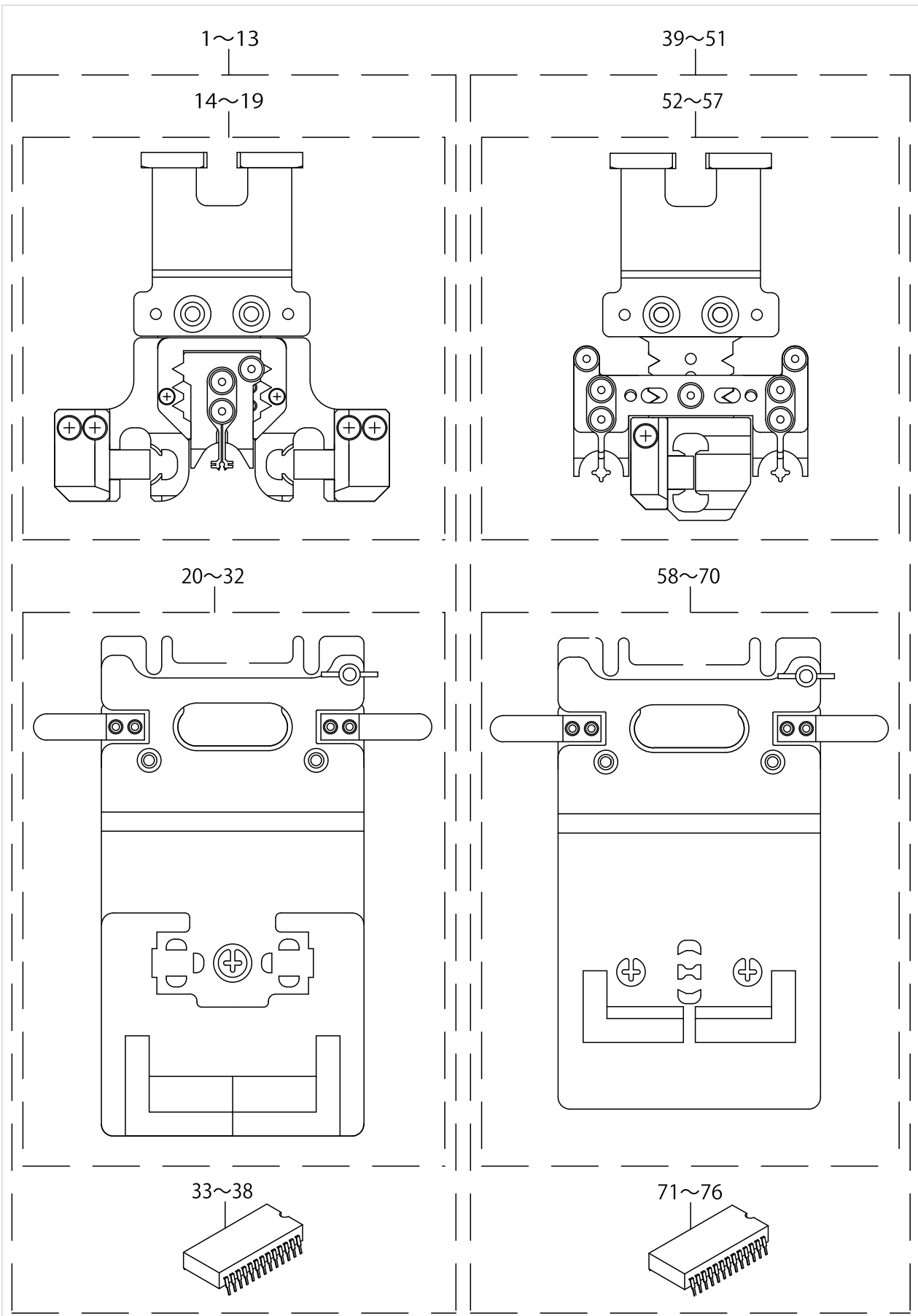


CONTROL BOX & ACCESSORIES PARTS COMPONENTS

| No. | Supply Code | Parts No.   | Replacement | Parts name                | Remarks | Choice | Step | Level | Cons | Qty | Rep. QTY |
|-----|-------------|-------------|-------------|---------------------------|---------|--------|------|-------|------|-----|----------|
| 1   |             | M8601592AB0 |             | MAIN CIRCUIT BOARD A ASM. |         |        |      |       |      | 1   |          |
| 2   |             | HL011940004 |             | MEMORY IC (M508)          |         |        |      |       |      | 1   |          |
| 3   |             | HL011940003 |             | MEMORY IC (M608)          |         |        |      |       |      | 1   |          |
| 4   |             | SS9151210TP |             | SCREW 15/64-28 L=11.8     |         |        |      |       |      | 1   |          |
| 5   | R           | MDP170B1402 | MDP170B1400 | NEEDLE DPX17#14-2         |         |        |      |       |      | 1   | 1.00     |
| 6   |             | 17848458    |             | BUTTON TRAY ASM.          |         |        |      |       |      | 1   |          |
| 7   | R           | 17848508    | 40033635    | BUTTON TRAY BASE          |         |        |      |       |      | 1   | 1.00     |
| 8   |             | SK3412001SE |             | WOOD SCREW D=4.1 L=20     |         |        |      |       |      | 2   |          |



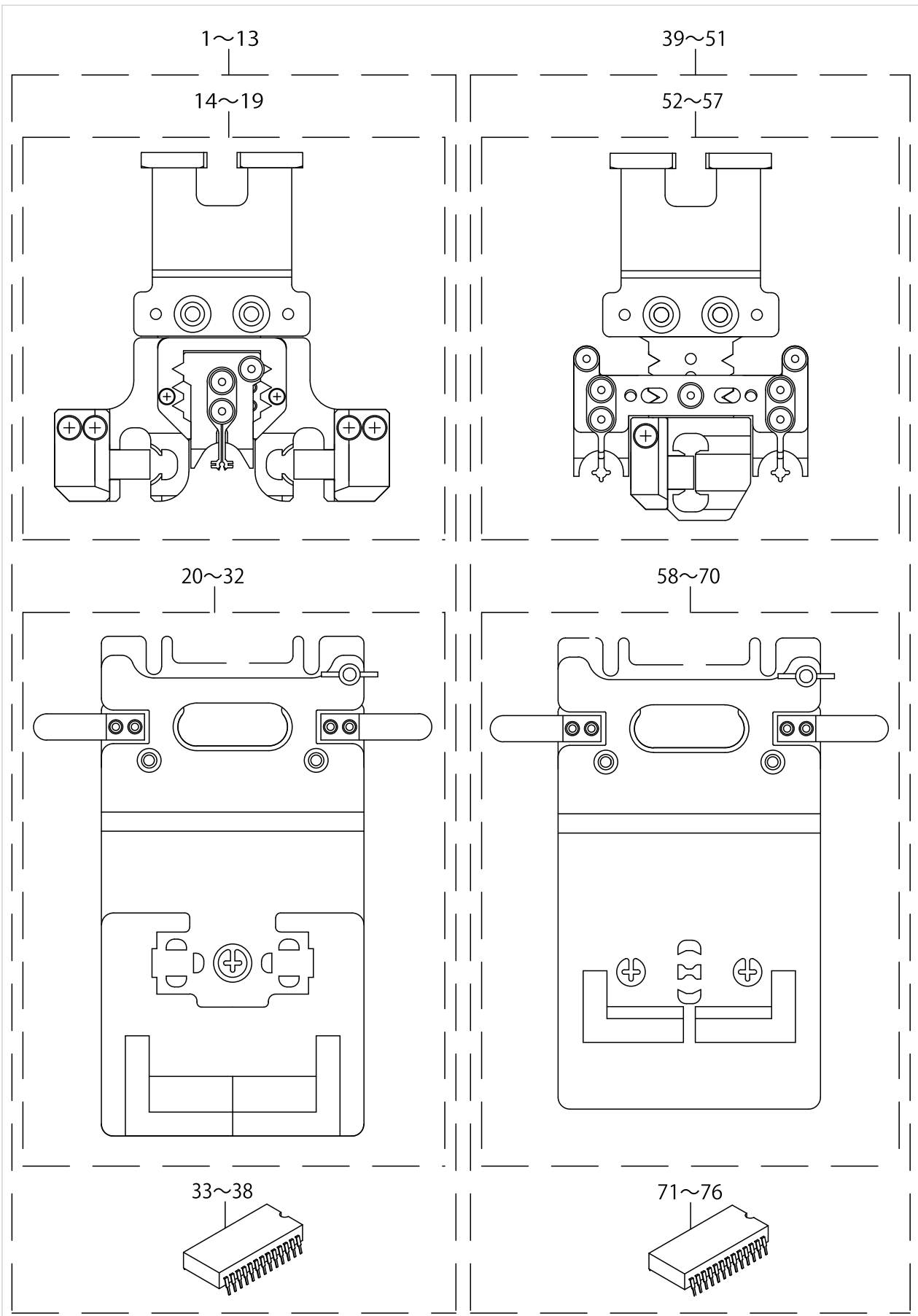
OPTION & ATTACHMENT COMPONENTS (1)



OPTION & ATTACHMENT COMPONENTS (1)

| No. | Supply Code | Parts No.   | Replacement | Parts name                      | Remarks | Choice | Step | Level | Cons | Qty | Rep. QTY |
|-----|-------------|-------------|-------------|---------------------------------|---------|--------|------|-------|------|-----|----------|
| 1   |             | 40006231    |             | SEWING HOOKS AT-TACHMENT ASM.   |         |        |      |       |      | 1   |          |
| 2   |             | 40006232    |             | SEWING HOOKS AT-TACHMENT ASM.   |         |        |      |       |      | 1   |          |
| 3   |             | 40006233    |             | SEWING HOOKS AT-TACHMENT ASM.   |         |        |      |       |      | 1   |          |
| 4   |             | 40006234    |             | SEWING HOOKS AT-TACHMENT ASM.   |         |        |      |       |      | 1   |          |
| 5   |             | 40006237    |             | SEWING HOOKS AT-TACHMENT ASM.   |         |        |      |       |      | 1   |          |
| 6   |             | 40006238    |             | SEWING HOOKS AT-TACHMENT ASM.   |         |        |      |       |      | 1   |          |
| 7   |             | 40006239    |             | SEWING HOOKS AT-TACHMENT ASM.   |         |        |      |       |      | 1   |          |
| 8   |             | 40006240    |             | SEWING HOOKS AT-TACHMENT ASM.   |         |        |      |       |      | 1   |          |
| 9   |             | 40006241    |             | SEWING HOOKS AT-TACHMENT ASM.   |         |        |      |       |      | 1   |          |
| 10  |             | 40006242    |             | SEWING HOOKS AT-TACHMENT ASM.   |         |        |      |       |      | 1   |          |
| 11  |             | 40006243    |             | SEWING HOOKS AT-TACHMENT ASM.   |         |        |      |       |      | 1   |          |
| 12  |             | 40006244    |             | SEWING HOOKS AT-TACHMENT ASM.   |         |        |      |       |      | 1   |          |
| 13  |             | 40006245    |             | SEWING HOOKS AT-TACHMENT ASM.   |         |        |      |       |      | 1   |          |
| 14  |             | 40004806    |             | SEWING HOOKS AT-TACHMENT ASM.   |         |        |      | *     |      | 1   |          |
| 15  |             | 40004850    |             | SEWING HOOKS AT-TACHMENT ASM.   |         |        |      | *     |      | 1   |          |
| 16  |             | 40005746    |             | SEWING HOOKS AT-TACHMENT ASM.   |         |        |      | *     |      | 1   |          |
| 17  |             | 40005754    |             | SEWING HOOKS AT-TACHMENT ASM.   |         |        |      | *     |      | 1   |          |
| 18  |             | 40005766    |             | SEWING HOOKS AT-TACHMENT ASM.   |         |        |      | *     |      | 1   |          |
| 19  |             | 40005787    |             | SEWING HOOKS AT-TACHMENT ASM.   |         |        |      | *     |      | 1   |          |
| 20  |             | 40005774    |             | FEED PLATE ASM. 5MM M508 HOOKS  |         |        |      | *     |      | 1   |          |
| 21  |             | 40005775    |             | FEED PLATE ASM.1-0MM M508 HOOKS |         |        |      | *     |      | 1   |          |
| 22  |             | 40005776    |             | FEED PLATE ASM. 5MM M608 HOOKS  |         |        |      | *     |      | 1   |          |
| 23  |             | 40005777    |             | FEED PLATE ASM.1-0MM M608 HOOKS |         |        |      | *     |      | 1   |          |
| 24  |             | 40005748    |             | FEED PLATE ASM. M525 HOOKS      |         |        |      | *     |      | 1   |          |
| 25  |             | 40005750    |             | FEED PLATE ASM. 5MM M525 HOOKS  |         |        |      | *     |      | 1   |          |
| 26  |             | 40005751    |             | FEED PLATE ASM.1-0MM M525 HOOKS |         |        |      | *     |      | 1   |          |
| 27  |             | 40005757    |             | FEED PLATE ASM. M528 670 HOOKS  |         |        |      | *     |      | 1   |          |
| 28  |             | 40005760    |             | FEED PLATE ASM. 5MM HOOKS       |         |        |      | *     |      | 1   |          |
| 29  |             | 40005768    |             | FEED PLATE ASM. M520 HOOKS      |         |        |      | *     |      | 1   |          |
| 30  |             | 40005770    |             | FEED PLATE ASM. 5MM M520 HOOKS  |         |        |      | *     |      | 1   |          |
| 31  |             | 40005771    |             | FEED PLATE ASM.1-0MM M520 HOOKS |         |        |      | *     |      | 1   |          |
| 32  |             | 40005794    |             | FEED PLATE ASM. M533 HOOKS      |         |        |      | *     |      | 1   |          |
| 33  |             | HL011940004 |             | MEMORY IC (M508)                |         |        |      | *     |      | 1   |          |
| 34  |             | HL011940003 |             | MEMORY IC (M608)                |         |        |      | *     |      | 1   |          |
| 35  |             | HL011940009 |             | EP-ROM (M525)                   |         |        |      | *     |      | 1   |          |
| 36  |             | HL011940006 |             | EP-ROM (M528)                   |         |        |      | *     |      | 1   |          |

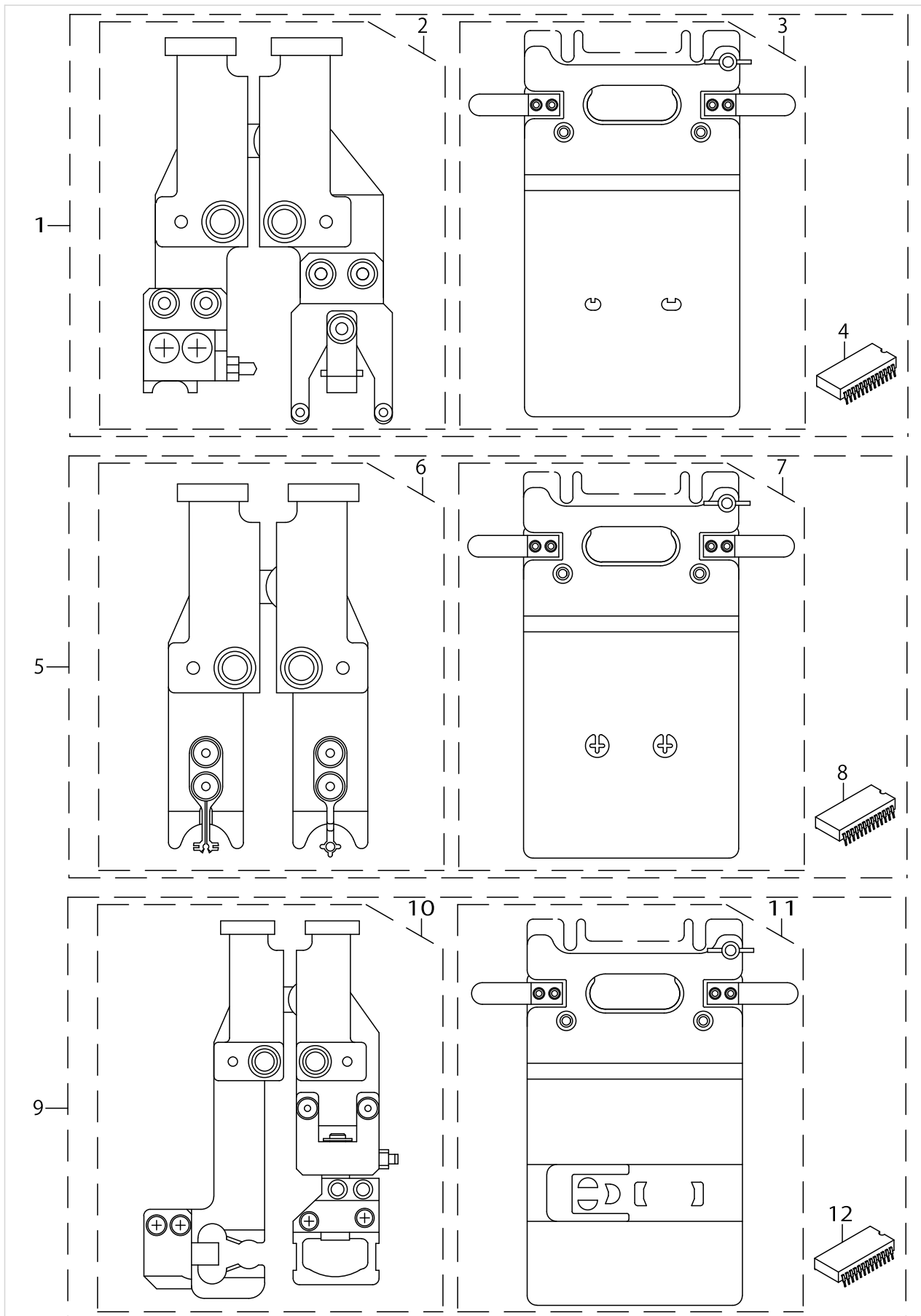
OPTION & ATTACHMENT COMPONENTS (1)



OPTION & ATTACHMENT COMPONENTS (1)

| No. | Supply Code | Parts No.   | Replacement | Parts name                        | Remarks | Choice | Step | Level | Cons | Qty | Rep. QTY |
|-----|-------------|-------------|-------------|-----------------------------------|---------|--------|------|-------|------|-----|----------|
| 37  |             | HL011940008 |             | EP-ROM (M520)                     |         |        |      | *     |      | 1   |          |
| 38  |             | HL011940011 |             | EP-ROM (M533)                     |         |        |      | *     |      | 1   |          |
| 39  |             | 40006235    |             | SEWING EYES ATTACHMENT ASM.       |         |        |      |       |      | 1   |          |
| 40  |             | 40006236    |             | SEWING EYES ATTACHMENT ASM.       |         |        |      |       |      | 1   |          |
| 41  |             | 40006246    |             | SEWING EYES ATTACHMENT ASM.       |         |        |      |       |      | 1   |          |
| 42  |             | 40006247    |             | SEWING EYES ATTACHMENT ASM.       |         |        |      |       |      | 1   |          |
| 43  |             | 40006248    |             | SEWING EYES ATTACHMENT ASM.       |         |        |      |       |      | 1   |          |
| 44  |             | 40006249    |             | SEWING EYES ATTACHMENT ASM.       |         |        |      |       |      | 1   |          |
| 45  |             | 40006250    |             | SEWING EYES ATTACHMENT ASM.       |         |        |      |       |      | 1   |          |
| 46  |             | 40006251    |             | SEWING EYES ATTACHMENT ASM.       |         |        |      |       |      | 1   |          |
| 47  |             | 40006252    |             | SEWING EYES ATTACHMENT ASM.       |         |        |      |       |      | 1   |          |
| 48  |             | 40006253    |             | SEWING EYES ATTACHMENT ASM.       |         |        |      |       |      | 1   |          |
| 49  |             | 40006254    |             | SEWING EYES ATTACHMENT ASM.       |         |        |      |       |      | 1   |          |
| 50  |             | 40006255    |             | SEWING EYES ATTACHMENT ASM.       |         |        |      |       |      | 1   |          |
| 51  |             | 40006256    |             | SEWING EYES ATTACHMENT ASM.       |         |        |      |       |      | 1   |          |
| 52  |             | 40004830    |             | SEWING EYES ATTACHMENT ASM.       |         |        |      | *     |      | 1   |          |
| 53  |             | 40005747    |             | SEWING EYES ATTACHMENT ASM.       |         |        |      | *     |      | 1   |          |
| 54  |             | 40005755    |             | SEWING EYES ATTACHMENT ASM.       |         |        |      | *     |      | 1   |          |
| 55  |             | 40005756    |             | SEWING EYES ATTACHMENT ASM.       |         |        |      | *     |      | 1   |          |
| 56  |             | 40005767    |             | SEWING EYES ATTACHMENT ASM.       |         |        |      | *     |      | 1   |          |
| 57  |             | 40005788    |             | SEWING EYES ATTACHMENT ASM.       |         |        |      | *     |      | 1   |          |
| 58  |             | 40005778    |             | FEED PLATE ASM. 5MM EYES          |         |        |      | *     |      | 1   |          |
| 59  |             | 40005779    |             | FEED PLATE ASM. 10MM EYES         |         |        |      | *     |      | 1   |          |
| 60  |             | 40005749    |             | FEED PLATE ASM. M525 EYES         |         |        |      | *     |      | 1   |          |
| 61  |             | 40005752    |             | FEED PLATE ASM.<br>5MM M525 EYES  |         |        |      | *     |      | 1   |          |
| 62  |             | 40005753    |             | FEED PLATE ASM.<br>10MM M525 EYES |         |        |      | *     |      | 1   |          |
| 63  |             | 40005758    |             | FEED PLATE ASM. M528 EYES         |         |        |      | *     |      | 1   |          |
| 64  |             | 40005762    |             | FEED PLATE ASM.<br>5MM M528 EYES  |         |        |      | *     |      | 1   |          |
| 65  |             | 40005759    |             | FEED PLATE ASM. M670 EYES         |         |        |      | *     |      | 1   |          |
| 66  |             | 40005764    |             | FEED PLATE ASM.<br>5MM M670 EYES  |         |        |      | *     |      | 1   |          |
| 67  |             | 40005769    |             | FEED PLATE ASM. M520 EYES         |         |        |      | *     |      | 1   |          |
| 68  |             | 40005772    |             | FEED PLATE ASM.<br>5MM M520 EYES  |         |        |      | *     |      | 1   |          |
| 69  |             | 40005773    |             | FEED PLATE ASM.<br>10MM M520 EYES |         |        |      | *     |      | 1   |          |
| 70  |             | 40005798    |             | FEED PLATE ASM. M533 EYES         |         |        |      | *     |      | 1   |          |
| 71  |             | HL011940004 |             | MEMORY IC (M508)                  |         |        |      | *     |      | 1   |          |
| 72  |             | HL011940009 |             | EP-ROM (M525)                     |         |        |      | *     |      | 1   |          |
| 73  |             | HL011940006 |             | EP-ROM (M528)                     |         |        |      | *     |      | 1   |          |
| 74  |             | HL011940007 |             | EP-ROM (M670)                     |         |        |      | *     |      | 1   |          |
| 75  |             | HL011940008 |             | EP-ROM (M520)                     |         |        |      | *     |      | 1   |          |
| 76  |             | HL011940011 |             | EP-ROM (M533)                     |         |        |      | *     |      | 1   |          |

OPTION & ATTACHMENT COMPONENTS (2)



OPTION & ATTACHMENT COMPONENTS (2)

| No. | Supply Code | Parts No.   | Replacement | Parts name                    | Remarks | Choice | Step | Level | Cons | Qty | Rep. QTY |
|-----|-------------|-------------|-------------|-------------------------------|---------|--------|------|-------|------|-----|----------|
| 1   |             | 40006258    |             | SPRING HOOKS AT-TACHMENT ASM  |         |        |      |       |      | 1   |          |
| 2   |             | 40005791    |             | SPRING HOOKS AT-TACHMENT ASM. |         |        |      | *     |      | 1   |          |
| 3   |             | 40005797    |             | FEED PLATE ASM.(M10)          |         |        |      | *     |      | 1   |          |
| 4   |             | HL011940012 |             | EP-ROM(M10)                   |         |        |      | *     |      | 1   |          |
| 5   |             | 40006259    |             | SEWING SNAPS AT-TACHMENT ASM. |         |        |      |       |      | 1   |          |
| 6   |             | 40005793    |             | SEWING SNAPS AT-TACHMENT ASM. |         |        |      | *     |      | 1   |          |
| 7   |             | 40005799    |             | FEED PLATE ASM.(SW-2)         |         |        |      | *     |      | 1   |          |
| 8   |             | HL011940005 |             | MEMORY IC(SW-2)               |         |        |      | *     |      | 1   |          |
| 9   |             | 40006257    |             | SEWING HOOKS AT-TACHMENT ASM. |         |        |      |       |      | 1   |          |
| 10  |             | 40005789    |             | SEWING HOOKS AT-TACHMENT ASM. |         |        |      | *     |      | 1   |          |
| 11  |             | 40005796    |             | FEED PLATE ASM.(M510)         |         |        |      | *     |      | 1   |          |
| 12  |             | HL011940010 |             | EP-ROM(M510)                  |         |        |      | *     |      | 1   |          |

## HOW TO MAKE USE OF THIS PARTS LIST

1.As to "#01" and "#02" refer to the "Note" given at the bottom of the respective pages.

2.Codes on the "Qty" column

- Each numeral indicates the number of parts required.
- "0.1" and "2.5" indicate the length (in meters) of the respective parts.

3.Parentheses mean that the corresponding part is a subpart that constructs an assembly part.

4.Dotted lines on the Figures indicate assembly parts.

1. リストページの# 0 1、# 0 2の印は、ページ下の"注記"の説明を参照下さい。
2. 数量欄の数字は、個数を表し、0. 1、2. 5等の数値は、長さ（単位メートル）を表します。
3. 数量欄の（ ）は、組部品を構成している子部品であることを意味します。
4. イラストページの-----枠は、組構成であることを意味します。

Note : When there are parts not be listed in this parts list,  
Please refer to LK-1910/1920 PARTS LIST (No.1243)

注記 : このパーツリストに記載されていない部品については、  
LK-1910/1920 パーツリスト (No.1243) をご参照下さい。

# NUMERICAL INDEX OF PARTS

| PART NO  | PAGE | REF NO. | PART NO  | PAGE | REF NO. | PART NO  | PAGE | REF NO. |
|----------|------|---------|----------|------|---------|----------|------|---------|
| 14217764 | 2    | 5       | 40004830 | 18   | 52~57   | 40005767 | 18   | 52~57   |
| 14217764 | 6    | 3       | 40004831 | 6    | 19      | 40005768 | 16   | 20~32   |
| 16137804 | 4    | 36      | 40004832 | 6    | 4       | 40005769 | 18   | 58~70   |
| 16137804 | 6    | 26      | 40004833 | 6    | 5       | 40005770 | 16   | 20~32   |
| 17007105 | 12   | 18      | 40004834 | 6    | 6       | 40005771 | 16   | 20~32   |
| 17007204 | 12   | 9       | 40004835 | 6    | 7       | 40005772 | 18   | 58~70   |
| 17007402 | 12   | 11      | 40004836 | 6    | 8       | 40005773 | 18   | 58~70   |
| 17007907 | 12   | 13      | 40004837 | 6    | 9       | 40005774 | 16   | 20~32   |
| 17008004 | 12   | 15      | 40004838 | 6    | 10      | 40005775 | 16   | 20~32   |
| 17008103 | 12   | 16      | 40004839 | 6    | 20~22   | 40005776 | 16   | 20~32   |
| 17848458 | 14   | 6       | 40004840 | 6    | 27      | 40005777 | 16   | 20~32   |
| 17848508 | 14   | 7       | 40004841 | 6    | 28      | 40005778 | 18   | 58~70   |
| 18077909 | 12   | 5       | 40004842 | 6    | 29      | 40005779 | 18   | 58~70   |
| 18078006 | 12   | 6       | 40004843 | 6    | 20~22   | 40005787 | 16   | 14~19   |
| 18078204 | 12   | 10      | 40004844 | 6    | 20~22   | 40005788 | 18   | 52~57   |
| 40004806 | 2    | 3·4     | 40004850 | 2    | 3·4     | 40005789 | 20   | 10      |
| 40004806 | 16   | 14~19   | 40004850 | 16   | 14~19   | 40005791 | 20   | 2       |
| 40004807 | 2    | 25·26   | 40004851 | 2    | 25·26   | 40005793 | 20   | 6       |
| 40004808 | 2    | 6·7     | 40004852 | 2    | 6·7     | 40005794 | 16   | 20~32   |
| 40004809 | 2    | 8       | 40004853 | 2    | 27~32   | 40005796 | 20   | 11      |
| 40004810 | 2    | 9       | 40004854 | 2    | 27~32   | 40005797 | 20   | 3       |
| 40004811 | 2    | 10      | 40004855 | 2    | 27~32   | 40005798 | 18   | 58~70   |
| 40004812 | 2    | 11      | 40004860 | 12   | 2       | 40005799 | 20   | 7       |
| 40004813 | 2    | 12      | 40004861 | 10   | 16      | 40006231 | 16   | 1~13    |
| 40004814 | 2    | 13      | 40005742 | 2    | 1·2     | 40006232 | 16   | 1~13    |
| 40004814 | 6    | 11      | 40005743 | 2    | 1·2     | 40006233 | 16   | 1~13    |
| 40004815 | 2    | 14      | 40005744 | 6    | 1       | 40006234 | 16   | 1~13    |
| 40004816 | 2    | 15      | 40005746 | 16   | 14~19   | 40006235 | 18   | 39~51   |
| 40004817 | 2    | 27~32   | 40005747 | 18   | 52~57   | 40006236 | 18   | 39~51   |
| 40004818 | 2    | 33      | 40005748 | 16   | 20~32   | 40006237 | 16   | 1~13    |
| 40004818 | 6    | 23      | 40005749 | 18   | 58~70   | 40006238 | 16   | 1~13    |
| 40004819 | 4    | 34      | 40005750 | 16   | 20~32   | 40006239 | 16   | 1~13    |
| 40004819 | 6    | 24      | 40005751 | 16   | 20~32   | 40006240 | 16   | 1~13    |
| 40004820 | 4    | 35      | 40005752 | 18   | 58~70   | 40006241 | 16   | 1~13    |
| 40004820 | 6    | 25      | 40005753 | 18   | 58~70   | 40006242 | 16   | 1~13    |
| 40004822 | 4    | 37      | 40005754 | 16   | 14~19   | 40006243 | 16   | 1~13    |
| 40004823 | 4    | 38      | 40005755 | 18   | 52~57   | 40006244 | 16   | 1~13    |
| 40004824 | 4    | 39      | 40005756 | 18   | 52~57   | 40006245 | 16   | 1~13    |
| 40004825 | 4    | 40      | 40005757 | 16   | 20~32   | 40006246 | 18   | 39~51   |
| 40004826 | 4    | 41      | 40005758 | 18   | 58~70   | 40006247 | 18   | 39~51   |
| 40004827 | 2    | 27~32   | 40005759 | 18   | 58~70   | 40006248 | 18   | 39~51   |
| 40004828 | 2    | 27~32   | 40005760 | 16   | 20~32   | 40006249 | 18   | 39~51   |
| 40004829 | 2    | 16      | 40005762 | 18   | 58~70   | 40006250 | 18   | 39~51   |
| 40004829 | 6    | 12      | 40005764 | 18   | 58~70   | 40006251 | 18   | 39~51   |
| 40004830 | 6    | 2       | 40005766 | 16   | 14~19   | 40006252 | 18   | 39~51   |



# NUMERICAL INDEX OF PARTS

| PART NO      | PAGE | REF NO. | PART NO     | PAGE | REF NO. | PART NO     | PAGE | REF NO. |
|--------------|------|---------|-------------|------|---------|-------------|------|---------|
| 40006253     | 18   | 39~51   | HL011940009 | 16   | 71~76   | WP0561616SC | 8    | 12      |
| 40006254     | 18   | 39~51   | HL011940009 | 18   | 71~76   | WP0641601SD | 10   | 17      |
| 40006255     | 18   | 39~51   | HL011940010 | 20   | 12      | WS0210002KN | 2    | 24      |
| 40006256     | 18   | 39~51   | HL011940011 | 18   | 71~76   | WS0310002KR | 4    | 45      |
| 40006257     | 20   | 9       | HL011940012 | 20   | 4       | WS0310002KR | 6    | 33      |
| 40006258     | 20   | 1       | HP000200200 | 8    | 14      | WS0861410KR | 12   | 14      |
| 40006259     | 20   | 5       | HP000600210 | 8    | 22      |             |      |         |
| B1504280000  | 10   | 18      | HW000590020 | 8    | 24      |             |      |         |
| B2101220000  | 8    | 16      | HW500140000 | 10   | 5       |             |      |         |
| B21012200A0  | 8    | 1       | M8601592AB0 | 14   | 1       |             |      |         |
| B210220500A  | 8    | 5       | M90605920A0 | 8    | 19      |             |      |         |
| B2103220000  | 8    | 17      | MAI15040000 | 10   | 7       |             |      |         |
| B2104220000  | 8    | 2       | MAT81126T00 | 10   | 6       |             |      |         |
| B2106220000  | 8    | 3       | MDP170B1400 | 12   | 1       |             |      |         |
| B2107210000  | 8    | 4       | MDP170B1402 | 14   | 5       |             |      |         |
| B81012050BA  | 12   | 3       | NM6040003SC | 8    | 13      |             |      |         |
| B81022050AA  | 12   | 4       | NM6120003SE | 12   | 17      |             |      |         |
| D1129205K0AA | 10   | 3       | SD0600352SP | 8    | 8       |             |      |         |
| D2570205K0A  | 10   | 9       | SD0640321SP | 8    | 10      |             |      |         |
| D8307205K0A  | 12   | 7       | SK3412001SE | 14   | 8       |             |      |         |
| D8308205K0A  | 12   | 8       | SM1030601SC | 2    | 22      |             |      |         |
| D8310205KAA  | 10   | 1       | SM1030801SR | 2    | 21      |             |      |         |
| E8760452D00  | 10   | 11      | SM1030801SR | 6    | 17      |             |      |         |
| EA9500B0000  | 10   | 10      | SM3030552TN | 2    | 20      |             |      |         |
| EA9500B0100  | 8    | 25      | SM3030552TN | 6    | 15·18   |             |      |         |
| G6214345000  | 10   | 12      | SM4020301SC | 2    | 23      |             |      |         |
| HA002830000  | 10   | 4       | SM4030601SN | 10   | 8       |             |      |         |
| HK018800020  | 8    | 15      | SM4030801SN | 10   | 13      |             |      |         |
| HK018820020  | 8    | 23      | SM6030402TN | 4    | 44      |             |      |         |
| HK03461002B  | 8    | 20      | SM6030402TN | 6    | 32      |             |      |         |
| HK034640000  | 8    | 21      | SM6040502TN | 4    | 42      |             |      |         |
| HL011940003  | 4    | 46·47   | SM6040502TN | 6    | 30      |             |      |         |
| HL011940003  | 6    | 34·35   | SM6040802TN | 2    | 17      |             |      |         |
| HL011940003  | 14   | 3       | SM6040802TN | 6    | 13      |             |      |         |
| HL011940003  | 16   | 33~38   | SM9082023SE | 12   | 12      |             |      |         |
| HL011940004  | 4    | 46·47   | SS6090630TP | 8    | 6       |             |      |         |
| HL011940004  | 6    | 34·35   | SS7110840SP | 8    | 18      |             |      |         |
| HL011940004  | 14   | 2       | SS7111120SP | 8    | 7       |             |      |         |
| HL011940004  | 16   | 71~76   | SS7151210SP | 10   | 15      |             |      |         |
| HL011940004  | 18   | 71~76   | SS9151210TP | 14   | 4       |             |      |         |
| HL011940005  | 20   | 8       | WP0320501SC | 10   | 14      |             |      |         |
| HL011940006  | 16   | 71~76   | WP0371016SD | 8    | 11      |             |      |         |
| HL011940006  | 18   | 71~76   | WP0450826SC | 2    | 43      |             |      |         |
| HL011940007  | 18   | 71~76   | WP0450826SC | 4    | 43      |             |      |         |
| HL011940008  | 18   | 71~76   | WP0450826SC | 6    | 31      |             |      |         |