

MODEL : FLS-350NA·NB,351NA

List No : 1310-02

# PARTS LIST

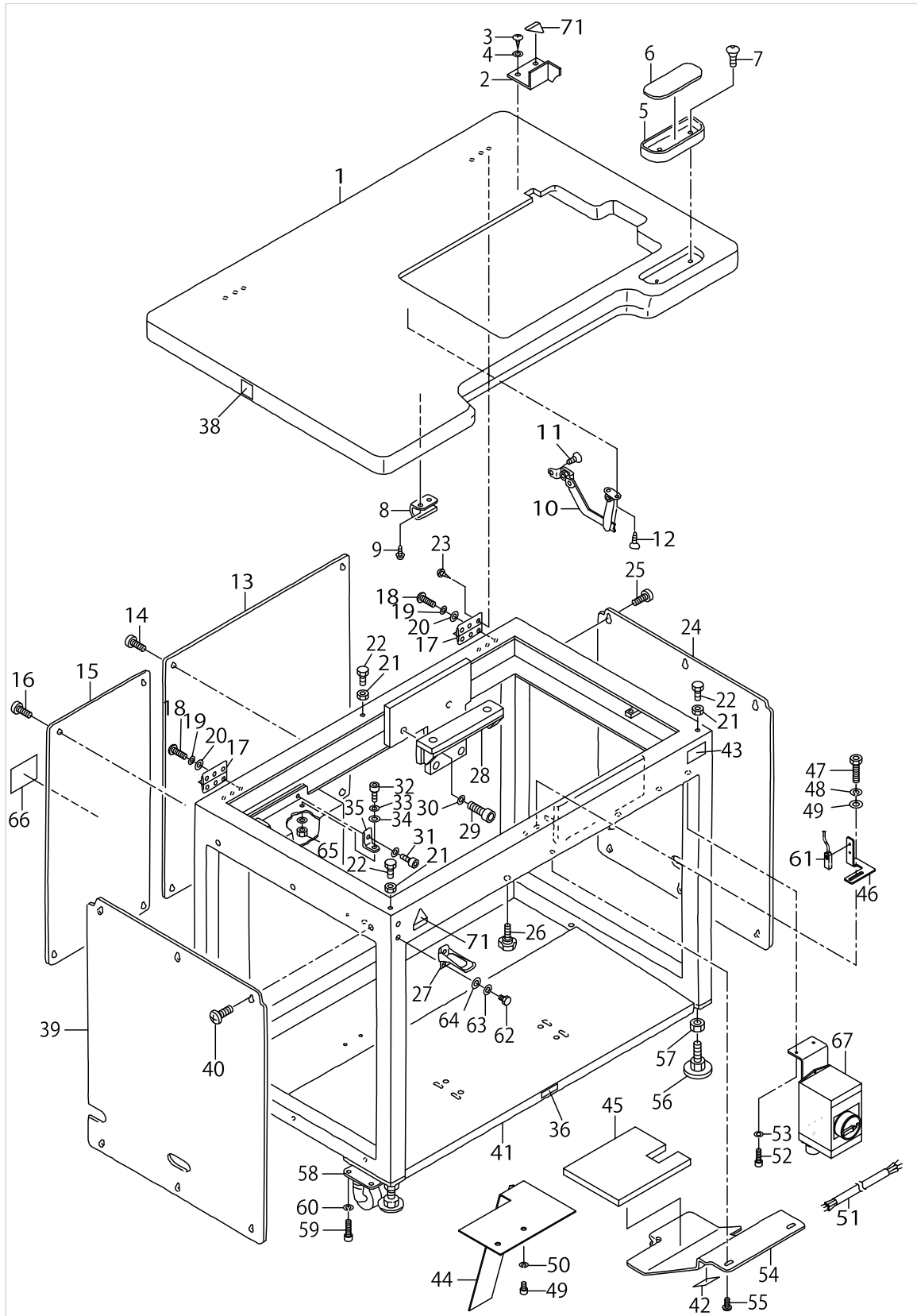
Published:05/12/2017

## CONTENTS

---

FRAME & COVER COMPONENTS.....	1
GEAR BOX FRAME COMPONENTS(1).....	5
GEAR BOX FRAME COMPONENTS(2).....	11
HANDLE & MOTOR COMPONENTS.....	13
LEET & RIGHT LOOPER COMPONENTS.....	19
THREAD STAND COMPONENTS.....	23
THREADING COMPONENTS.....	25
UPPER NEEDLE BAR COMPONENTS.....	27
LOWER NEEDLE BAR COMPONENTS.....	31
DRUM COMPONENTS.....	35
CYLINDRICAL CAM SHAFT COMPONENTS.....	37
LOWER LOOPER COMPONENTS.....	41
HOOK & NEEDLE GRASP COMPONENTS.....	45
HOOK COMPONENTS.....	47
KNEE PRESS LIFTER COMPONENTS.....	49
PRESSER FOOT COMPONENTS.....	51
LOWER FEED COMPONENTS.....	55
INTERMEDIATE PLATE &FEED CHANGE MOTOR COMPONENTS.....	59
FEED CONNECTING COMPONENTS.....	61
TRANSMISSION COMPONENTS (1).....	63
TRANSMISSION COMPONENTS (2).....	65
TRANSMISSION COMPONENTS (3).....	67
ACCESSORIES COMPONENTS.....	69
LIST FOR INFORMATION OF CHANGE.....	71
HOW TO MAKE USE OF THIS PARTS LIST.....	72

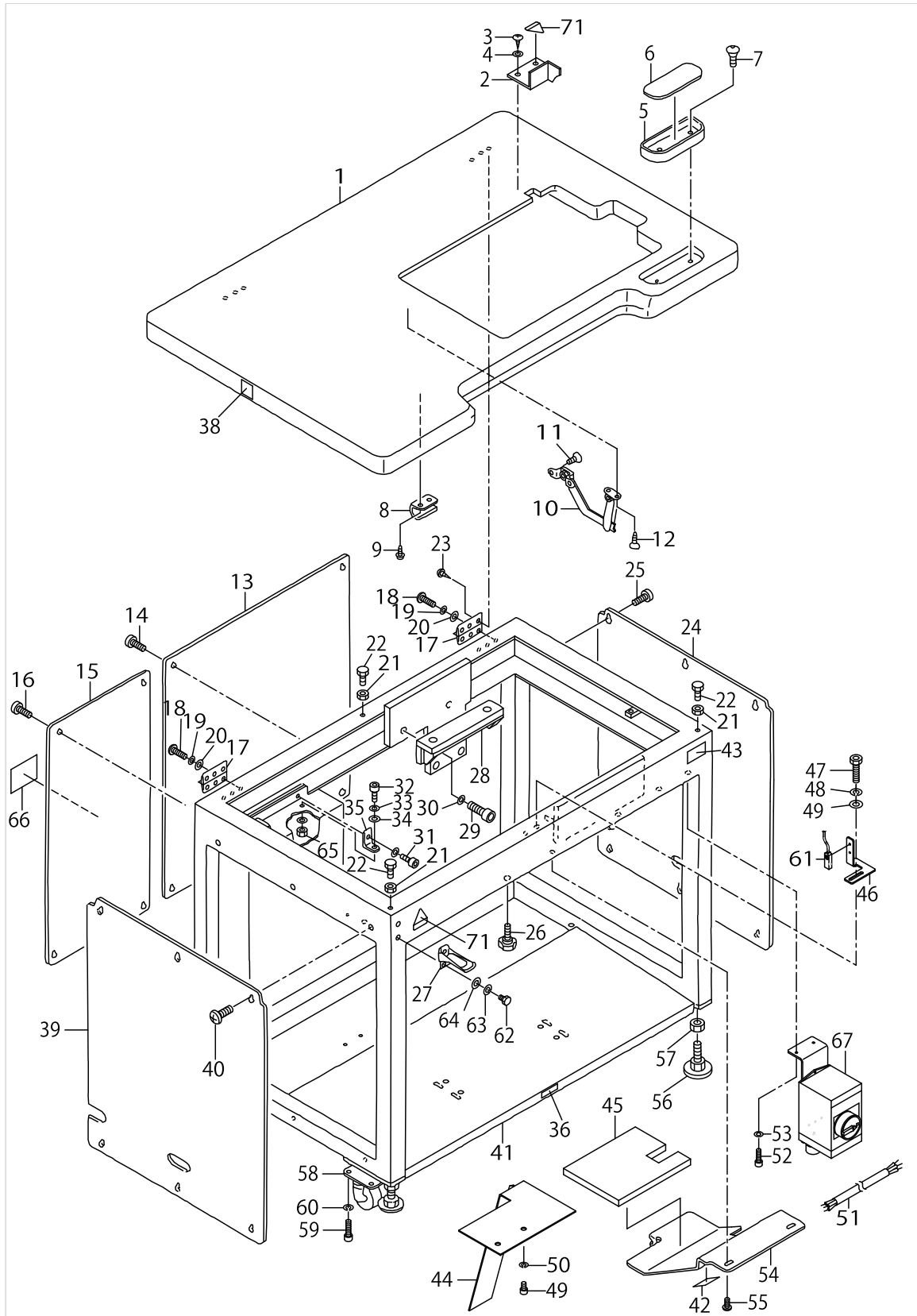
FRAME & COVER COMPONENTS



FRAME & COVER COMPONENTS

No.	Supply Code	Parts No.	Replacement	Parts name	Remarks	Choice	Step	Level	Cons	Qty	Rep. QTY
1		25235409		TABLE						1	
2	D	16679102		BELT COVER						1	
3		ST4041621SN		TAPPING SCREW						2	
4		WP0320501SC		WASHER M3						2	
5		11156007		CASE						1	
6		11155801		CASE MAGNET						1	
7		SK3382001SC		WOOD SCREW D=3.8 L=20						2	
8		16679201		HOOK BRACKET						1	
9		16717704		TAPPING SCREW						2	
10		16715906		STAY						1	
11		SM1040852TP		DISH SCREW						2	
12		16718009		TAPPING SCREW						2	
13	D	25236209		FRAME COVER,B						1	
14		SM0050801SC		SCREW						6	
15	D	25236100		FRAME COVER,A						1	
16		SM0050801SC		SCREW						4	
17		16679003		HINGE						2	
18		SM6051552TP		SCREW M5 L=15						6	
19		WS0510002KN		SPRING WASHER						6	
20		WP0531001SC		WASHER						6	
21		NM6060001SC		NUT M6						3	
22		16677809		ADJUSTING BOLT						3	
23		16717803		TAPPING SCREW						6	
24	D	25236407		FRAME COVER,D						1	
25		SM0050801SC		SCREW						6	
26		25252305		KNOB						1	
27		16716003		CATCH CLIP						1	
28		16677700		GEAR BOX INSTALLING BASE						1	
29		SM6103002TP		HEXAGNAN-HOLE BOLT						2	
30		WS1020002KN		SPRING WASHER M10						2	
31		SM6051202TP		SCREW M5X0.8 L=12						2	
32		SM6051552TP		SCREW M5 L=15						2	
33		WS0510002KN		SPRING WASHER						4	
34		WP0531001SC		WASHER						6	
35		25235508		TRANSMISSION BOX BRACKET						2	
36		16870206		GRAVITY SEAL						2	
37		CM3002000B2		LABEL(25).						2	
38		16701302		TABLE CAUTION LABEL						2	
39	D	25236407		FRAME COVER,D						1	
40		SM0050801SC		SCREW						6	
41		25243502		FRAME						1	
42		CM300600102		LABEL(LARGE)						1	
43		CM300200301		SAFETY LABEL, 5(SMALL).						1	
44		25223801		PULLEY COVER						1	
45	D	25251208		NOISE-PROOF RUBBER						1	
46		25161506		DRUM SENSOR BRACKET						1	

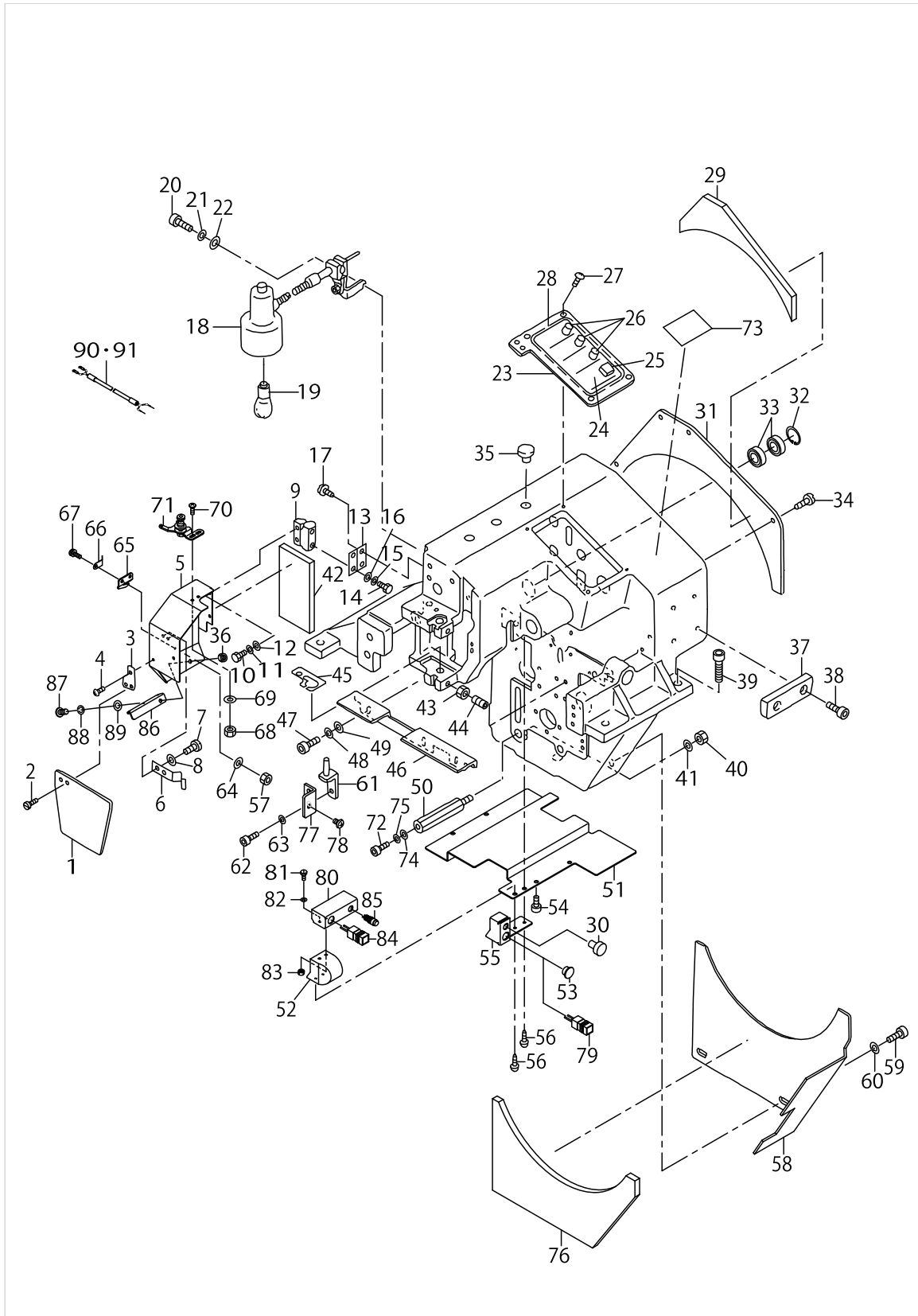
FRAME & COVER COMPONENTS



FRAME & COVER COMPONENTS

No.	Supply Code	Parts No.	Replacement	Parts name	Remarks	Choice	Step	Level	Cons	Qty	Rep. QTY
47		SM6041002TP		SCREW M4 L=10						2	
48		WS0410002KN		SPRING WASHER						2	
49		SM6061002TP		SCREW M6 L=10						2	
50		WS0610002KN		SPRING WASHER 6.1X12.2X1.5						2	
51		25396052		POWER CABLE ASM.	FOR USE IN JAPAN,GENERAL EXPORT					1	
52		SM6051002TP		SCREW M5X0.8 L=10						2	
53		WS0510002KN		SPRING WASHER						2	
54		25238304		FRONT PANEL						1	
55		SM0050801SC		SCREW						3	
56		16716508		ADJUSTER FOOT						4	
57		NM6201202SC		NUT M20						4	
58		16715609		CASTER						4	
59		SM6061202TP		SCREW M6 L=12						16	
60		WS0610002KN		SPRING WASHER 6.1X12.2X1.5						16	
61	D	25212150		NS-5 CABLE ASM.						1	
62		SM9061003SC		SCREW M6X10						2	
63		WS0610002KN		SPRING WASHER 6.1X12.2X1.5						2	
64		WP0641601SC		WASHER						2	
65		NM6050001SC		NUT M5						2	
66		CM300100102		DANGER LABEL (LARGE)						1	
67		G85031920A0		POWER SOURCE SWITCH ASM.	FOR JE					1	

GEAR BOX FRAME COMPONENTS(1)

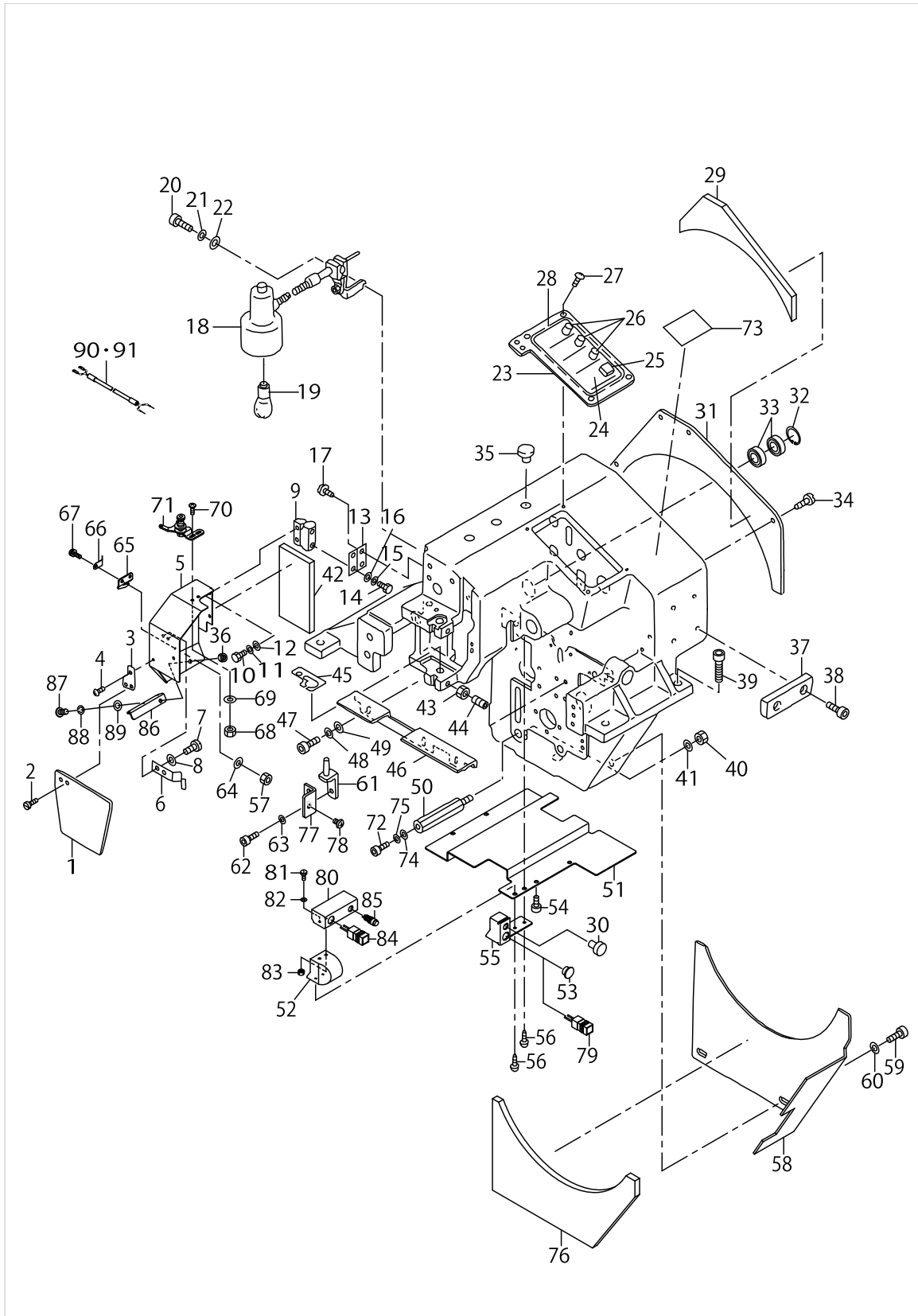


GEAR BOX FRAME COMPONENTS(1)

No.	Supply Code	Parts No.	Replacement	Parts name	Remarks	Choice	Step	Level	Cons	Qty	Rep. QTY
1		16680100		SAFETY COVER						1	
2		SS4090610SP		SCREW 9/64-40 L=6						1	
3		16680001		COVER BRACKET						1	
4		SM0040801SC		SCREW						1	
5	D	25236506		BED COVER						1	
6		16679904		PLATE SPRING						1	
7		SS7120410TP		SCREW 3/16-28 L=4.2						2	
8		WP0430801SC		WASHER 4.3X9X0.8						2	
9		16716409		HINGE						1	
10		SM9040803SD		BOLT M4X0.7 L=8						2	
11		WS0410002KN		SPRING WASHER						2	
12		WP0430801SC		WASHER 4.3X9X0.8						2	
13		25236605		COVER FITTING PLATE						1	
14		SM9051603SD		BOLT M5X0.8 L=16						2	
15		WS0510002KN		SPRING WASHER						2	
16		WP0531001SC		WASHER						2	
17		SM0041001SC		SCREW M4 L=10						2	
18		16590200		LAMP	FOR USE IN JAPAN,GENERAL EXPORT					1	
19		25212309		LIGHT	FOR USE IN JAPAN,GENERAL EXPORT					1	
20		SM6062002TP		SCREW M6 L=20	FOR USE IN JAPAN,GENERAL EXPORT					1	
21		WS0610002KN		SPRING WASHER 6.1X12.2X1.5	FOR USE IN JAPAN,GENERAL EXPORT					1	
22		WP0641601SC		WASHER	FOR USE IN JAPAN,GENERAL EXPORT					1	
23		25236704		PANEL COVER						1	
24		25214305		OPERATION PANEL SEAT						1	
25	D	HA002510010		SWITCH BUTTON						1	
26	D	HX001650000		PICK-UP						3	
27		SM0040801SC		SCREW						4	
28	D	16554552		PANEL CIRCUIT BOARD ASM.						1	
29		25251000		NOISE-PROOF RUBBER						1	
30		25209255		PB-5 CABLE ASM.,2						1	
31		25237009		G.B COVER						1	
32		16718702		RETAINING RING						1	
33		16710006		BEARING						2	
34		SM4040601SC		SCREW M4X0.7 L=6						4	
35		20321204		BUSH						1	
36		NM6050001SC		NUT M5	FOR GENERAL EXPORT,JE					1	
37		25243403		PLATE						1	
38		SM6041002TP		SCREW M4 L=10						2	
39		SM6104002TP		SCREW						4	
40	R	NM6120001SC	NM6120002SE	NUT M12						1	1.00
41	R	WS1220002KN	WS1220002KP	SPRING WASHER						1	1.00



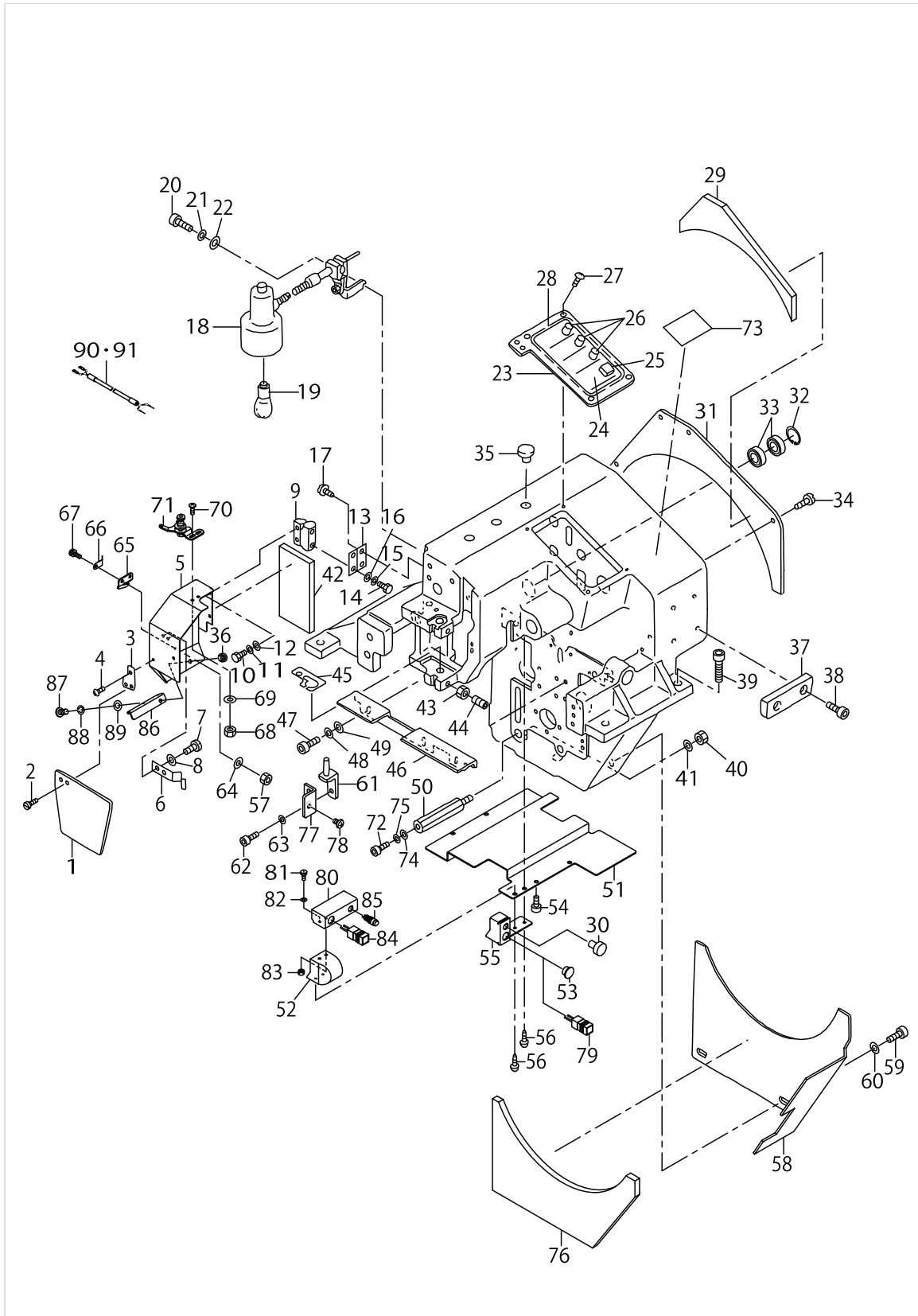
GEAR BOX FRAME COMPONENTS(1)



GEAR BOX FRAME COMPONENTS(1)

No.	Supply Code	Parts No.	Replacement	Parts name	Remarks	Choice	Step	Level	Cons	Qty	Rep. QTY
42	D	25250804		NOISE-PROOF RUBBER						1	
43		NM6030003SC		NUT M3						2	
44		SM8030802TP		SCREW M3X0.5 L=8						2	
45		25248204		OIL RESERVOIR SEAT						1	
46		25234709		COVER HOLDING,1						1	
47		SM6040802TP		SCREW M4X0.7 L=8						3	
48		WS0410002KN		SPRING WASHER						3	
49		WP0430801SC		WASHER 4.3X9X0.8						3	
50		25216706		CONNECTING STUD						1	
51		25161407		UNDER COVER						1	
52		25234303		NEEDLE ROD SHAFT COVER						1	
53		B1150490000		RUBBER PLUG	FOR USE IN JAPAN					1	
54		25251604		BOLT						4	
55		25162405		NEAR SWITCH BRACKET	FOR USE IN JAPAN,GENERAL EXPORT					1	
56	D	25251802		BOLT						2	
57		NM6860001SC		NUT M2.6						1	
58		25237108		G.B REAR COVER						1	
59		SM6061002TP		SCREW M6 L=10						2	
60		WS0610002KN		SPRING WASHER 6.1X12.2X1.5						2	
61		16680209		PIN BRACKET						1	
62		SM6041202TP		SCREW M4X0.7 L=12						2	
63		WS0410002KN		SPRING WASHER						2	
64		WP0280500SC		WASHER						1	
65		11521903		THREAD TRIMMER						1	
66	D	25156407		THREAD PRESSER PLATE						1	
67		SM0860501SC		SCREW M2.6X0.45 L=5						1	
68		NM6040001SC		NUT M4						2	
69		WP0430801SC		WASHER 4.3X9X0.8						2	
70		SM0041201SA		SCREW M4X0.7 L=12						2	
71		13764352		TENSION BRACKET CONNEC.						1	
72	D	SM6123002TP		SCREW M12 L=30						1	
73		CM300600102		LABEL(LARGE)						1	
74		WP1302500SC		WASHER						1	
75	R	WS1220002KN	WS1220002KP	SPRING WASHER						1	1.00
76		25251109		NOISE-PROOF RUBBER						1	
77		25161001		HEAD COVER FIXING BRACKET						1	
78		SM4040601SC		SCREW M4X0.7 L=6						1	
79	D	25162751		SWITCH ASM.	FOR GENERAL EXPORT					1	
80		25397902		NEAR SW BRACKET (JE)	FOR JE					1	
81		SM9041050SC		SCREW M4X0.7 L=10	FOR JE					2	
82		WS0410002KN		SPRING WASHER	FOR JE					2	
83		NM6050001SC		NUT M5	FOR JE					2	
84	D	25162751		SWITCH ASM.	FOR JE					1	
85		25213356		BACK TACK SWITCH ASM.	FOR JE					1	

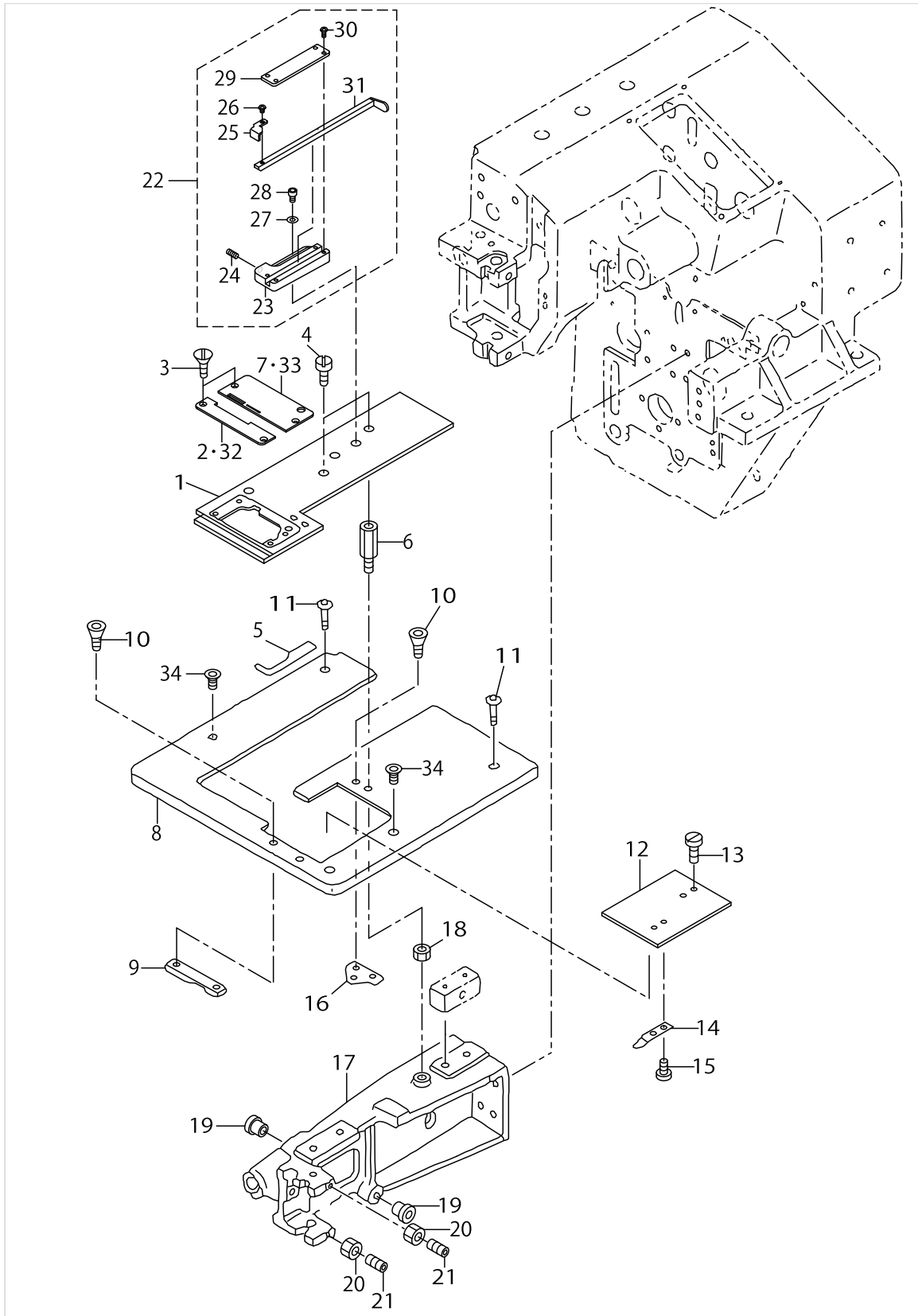
GEAR BOX FRAME COMPONENTS(1)



GEAR BOX FRAME COMPONENTS(1)

No.	Supply Code	Parts No.	Replacement	Parts name	Remarks	Choice	Step	Level	Cons	Qty	Rep. QTY
86		17961707		THREAD GUIDE NO.1	FOR GENERAL EXPORT,JE					1	
87		SM0051001SC		SCREW	FOR GENERAL EXPORT,JE					1	
88		WS0510002KN		SPRING WASHER	FOR GENERAL EXPORT,JE					1	
89		WP0531001SC		WASHER	FOR GENERAL EXPORT,JE					1	
90		25212457		LAMP CABLE ASM.(1)	EXCEPT 100V					1	
91		25213257		LAMP CABLE ASM.(2)	FOR 100V					1	

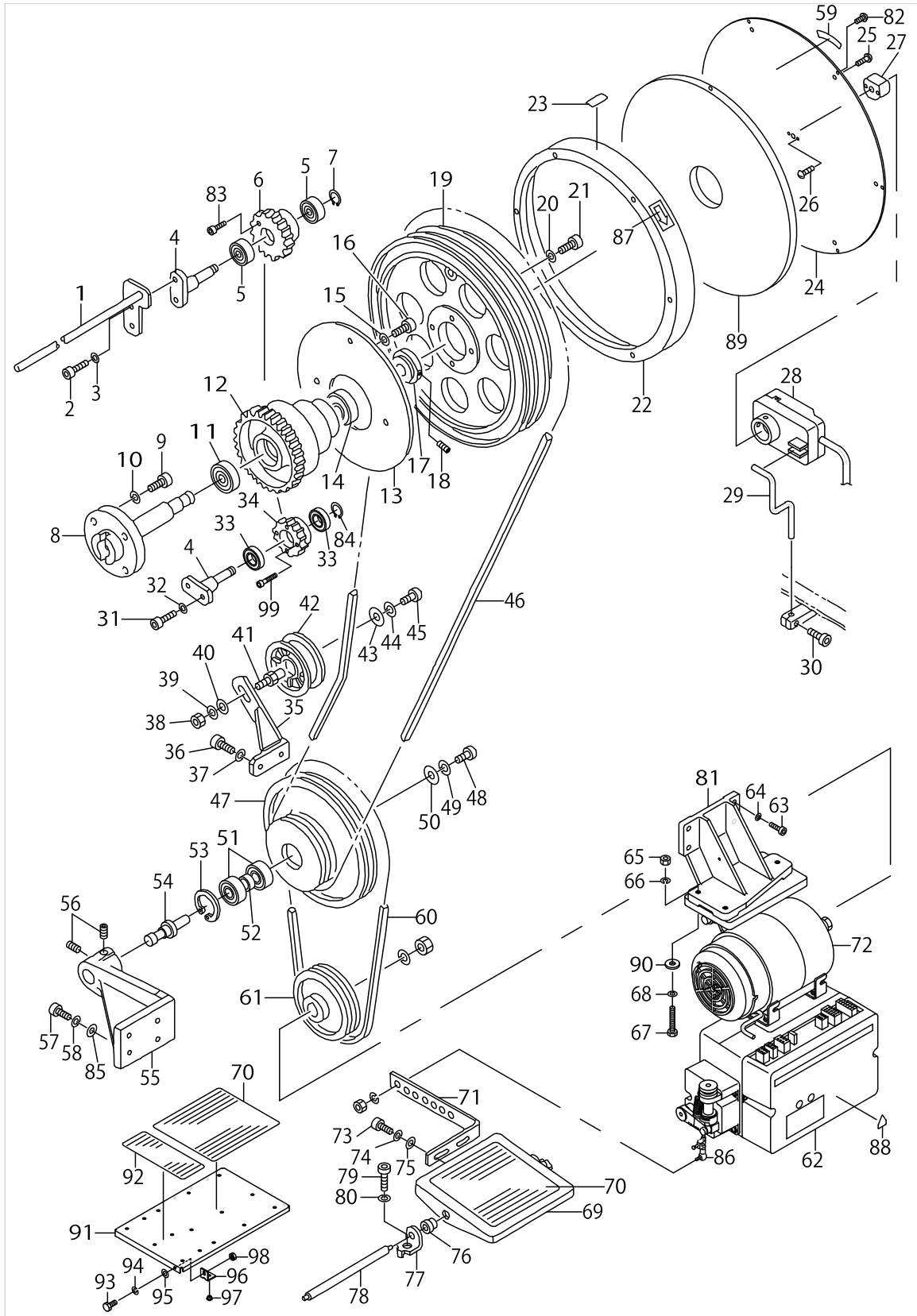
# GEAR BOX FRAME COMPONENTS(2)



GEAR BOX FRAME COMPONENTS(2)

No.	Supply Code	Parts No.	Replacement	Parts name	Remarks	Choice	Step	Level	Cons	Qty	Rep. QTY
1		25226200		WORKPIECE PLATE						1	
2	D	25249004		THROAT PLATE	FOR FLS-350NA,NB					1	
3		SS2090510SP		SCREW 9/64-40 L=5						4	
4		SS6121210SP		SCREW 3/16-28 L=12						4	
5		25251109		NOISE-PROOF RUBBER						1	
6		25226309		PLATE HOLDING STUD						1	
7	D	25249103		THROAT PLATE R	FOR FLS-350NA,NB					1	
8		25234600		TABLE COVER						1	
9	D	16704520		SLIDING PLATE GUIDE B						1	
10		25152109		SCREW						2	
11	D	25251802		BOLT						2	
12		16704322		SLIDE PLATE						1	
13		25152109		SCREW						1	
14		B1109481000		SPRING						1	
15		SS6060220SP		SCREW 3/32-56 L=2.0						2	
16	D	16877417		SLIDING PLATE BASE						1	
17		25215401		LOWER FRAME						1	
18		NM6060003SC		NUT M6						1	
19		16629503		BUSHING						2	
20		NM6030003SC		NUT M3						2	
21		SM8030802TP		SCREW M3X0.5 L=8						2	
22		16652257		STITCHING RULER ASM.	FOR FLS-350NA					1	
23		16652216		HOLDER				*		1	
24		16713604		BALL PLUNGER				*		1	
25		16800104		HOLDER				*		1	
26		SS4090515SP		SCREW 9/64-40 L=5				*		1	
27		WP0841601SC		WASHER 8.4X17.4X1.6				*		2	
28		SM6050802TP		SCREW M5X0.8 L=8				*		2	
29		16879108		HOLDER COVER				*		1	
30		SS4090815SP		SCREW 9/64-40 L=8				*		4	
31		16652315		LEVER				*		1	
32		25237900		THROAT PLATE L	FOR FLS-351NA					1	
33		25226705		THROAT PLATE R	FOR FLS-351NA					1	
34		SM1040852TP		DISH SCREW						2	

# HANDLE & MOTOR COMPONENTS

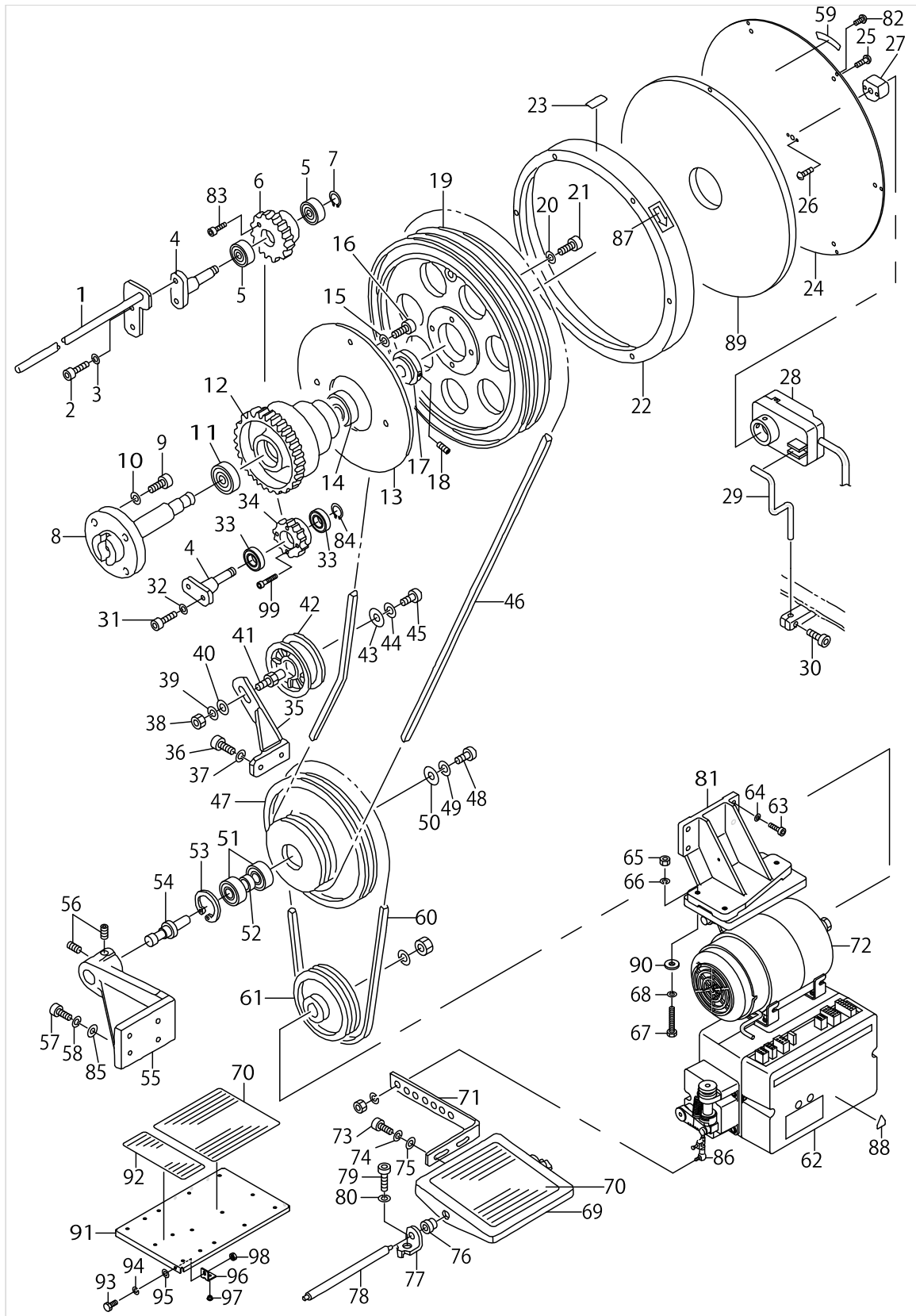


HANDLE & MOTOR COMPONENTS

No.	Supply Code	Parts No.	Replacement	Parts name	Remarks	Choice	Step	Level	Cons	Qty	Rep. QTY
1		16679508		INSTALLING BASE						1	
2		SM6052502TP		SCREW M5X0.8 L=25						2	
3		WS0510002KN		SPRING WASHER						2	
4		16625402		GEAR PIN 1						2	
5		SB112000200		BEARING						2	
6		16625501		FLAT GEAR G						1	
7		RC1200001KP		C-SHAPED SNAP RING						1	
8		25215500		CENTER SHAFT						1	
9		SM6082502TP		SCREW M8 L=25						4	
10		WS0820002KN		SPRING WASHER M8						4	
11		B1210761000		BALL BEARING						1	
12		16624603		CENTER GEAR						1	
13		16876906		LEFT LOOPER CAM						1	
14		SB120000200		BEARING 20X42						1	
15		WS0510002KN		SPRING WASHER						2	
16		SM6051202TP		SCREW M5X0.8 L=12						2	
17		16624900		BEARING PRESSER						1	
18		SM8060802TP		SCREW M6 L=8						2	
19		25217803		CAM WHEEL						1	
20		WS0820002KN		SPRING WASHER M8						4	
21		SM6083002TP		SCREW M8 L=30						4	
22		16625105		HANDLE						1	
23	D	16879504		REFLECTION SEAT						1	
24	D	16625006		HANDLE COVER						1	
25		SM1040601SP		SCREW M4X0.7 L=6						6	
26		25151705		SCREW						1	
27		16625204		ADAPTER						1	
28	D	MSCM80000A0		SYNCHRONIZERASM.						1	
29		16625303		FIXED ROD						1	
30		SM6041202TP		SCREW M4X0.7 L=12						1	
31		SM6052002TP		SCREW M5 L=20						2	
32		WS0510002KN		SPRING WASHER						2	
33		G1812870000		LOWER SHAFT INNER BEARING						1	
34	D	16626111		FLAT GEAR E						1	
35		16645202		IDLER BRACKET						1	
36		SM6062002TP		SCREW M6 L=20						2	
37		WS0610002KN		SPRING WASHER 6.1X12.2X1.5						2	
38		NM6080003SC		NUT M8						1	
39		WS0820002KN		SPRING WASHER M8						1	
40		WP0841601SC		WASHER 8.4X17.4X1.6						1	
41		16645301		IDLER SHAFT						1	
42		16715401		IDLER PULLEY						1	
43		16645400		WASHER						1	
44		WS0510002KN		SPRING WASHER						1	
45		SM6051202TP		SCREW M5X0.8 L=12						1	
46		16715005		WEDGE BELT						1	



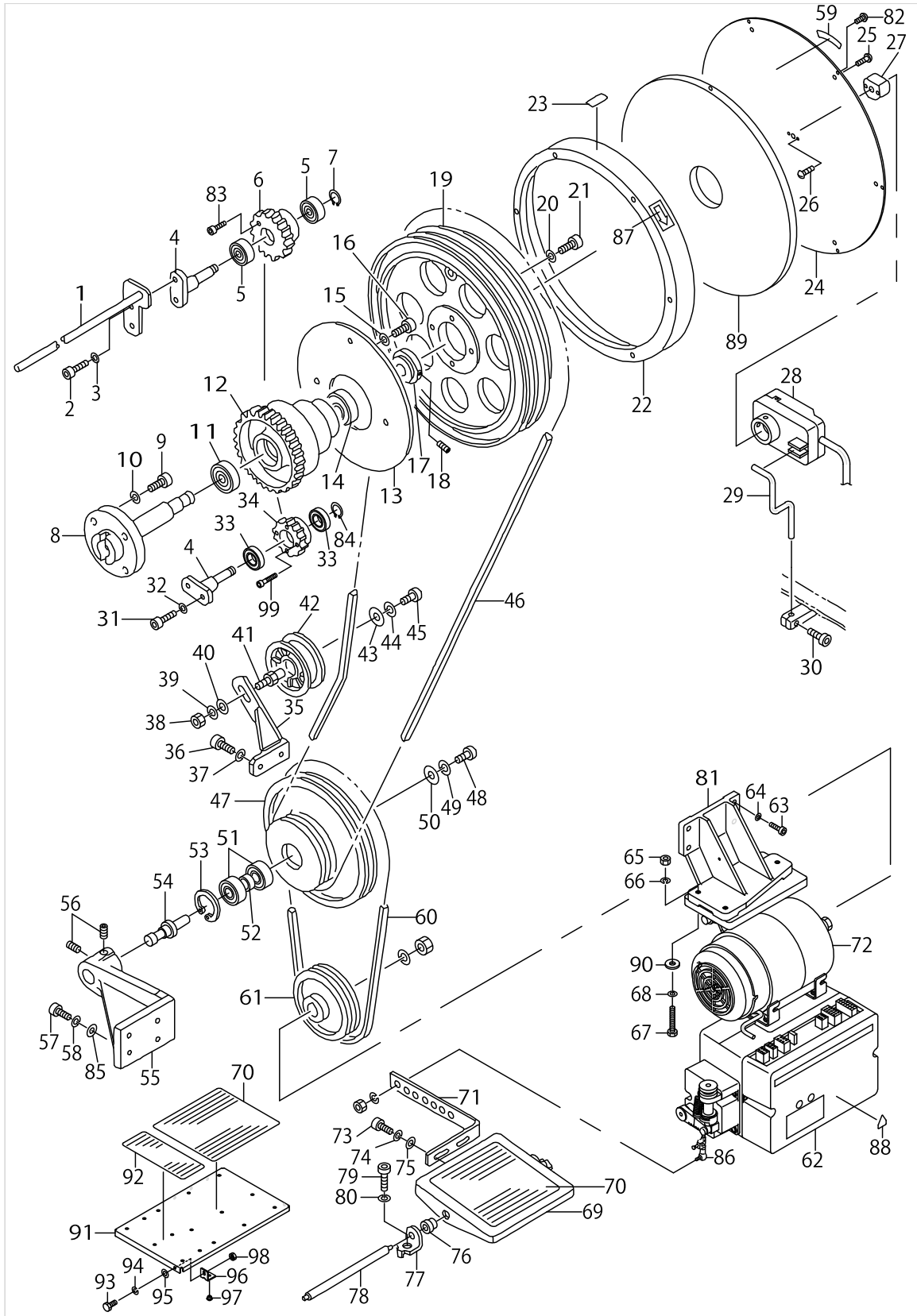
# HANDLE & MOTOR COMPONENTS



HANDLE & MOTOR COMPONENTS

No.	Supply Code	Parts No.	Replacement	Parts name	Remarks	Choice	Step	Level	Cons	Qty	Rep. QTY
47		16644908		PULLEY, INTERMEDIATE						1	
48	R	SM6061552TP	SM6061552SP	SCREW M6 L=15						1	1.00
49		WS0610002KN		SPRING WASHER 6.1X12.2X1.5						1	
50		16645103		WASHER						1	
51		16710709		BEARING						2	
52		16645004		BEARING COLLAR						1	
53	D	RC3700002KP		RETAINING RING 37						1	
54		16644809		PULLEY SHAFT						1	
55		16644700		BRACKET						1	
56		SM8060802TP		SCREW M6 L=8						2	
57		SM6062502TP		SCREW M6 L=25						4	
58		WS0610002KN		SPRING WASHER 6.1X12.2X1.5						4	
59		B1144210000		REVOLVING DIRECTION LABEL						1	
60		MTJVM003100		V-BELT, 31 INCH						1	
61	D	MTSP01100B0		MOTOR PULLEY ASM. P.C.D 110						1	
62		MSCM2012DAZ		SC-380(230V) FLS						1	
63		SM6082502TP		SCREW M8 L=25						4	
64		WS0820002KN		SPRING WASHER M8						4	
65		NM6080001SC		NUT M8X1.25						3	
66		WS0820002KN		SPRING WASHER M8						3	
67		SM9085013SC		SCREW M8 L=50						3	
68		WP0841601SC		WASHER 8.4X17.4X1.6						3	
69		11158805		PEDAL						1	
70		11158904		PEDAL MAT						2	
71	D	25238908		PEDAL ADJUSTING PLATE						1	
72	D	MSCM6000AA0		MOTOR COMPLETED 200-240VCE						1	
73	R	SM6061552TP	SM6061552SP	SCREW M6 L=15						2	1.00
74		WS0610002KN		SPRING WASHER 6.1X12.2X1.5						2	
75		WP0641601SC		WASHER						2	
76		D8113555B00		PEDAL BUSHING						2	
77		11159001		PEDAL SHAFT BRACKET						2	
78		D8115555B00		PEDAL SHAFT						1	
79		SM6081552TP		SCREW M8 L=15						2	
80		WS0820002KN		SPRING WASHER M8						2	
81		16644601		MOTOR BASE						1	
82		SS3090810SL		SCREW 9/64-40 L=8						6	
83		SM6042002TP		SCREW M4X0.7 L=20						4	
84		RC1200001KP		C-SHAPED SNAP RING						1	
85		WP0641601SC		WASHER						4	
86		16678609		PITMAN ROD						1	
87		CM500300001		DIRECTION LABEL						1	
88		CM3002000A1		CAUTION LABEL(16)						1	
89		25250705		NOISE-PROOF RUBBER						1	
90		D6056555B00		RUBBERCUSHION(B)						3	
91		25381500		PEDAL COVER	FOR JE					1	
92		GPF06070000		PEDAL MAT	FOR JE					1	

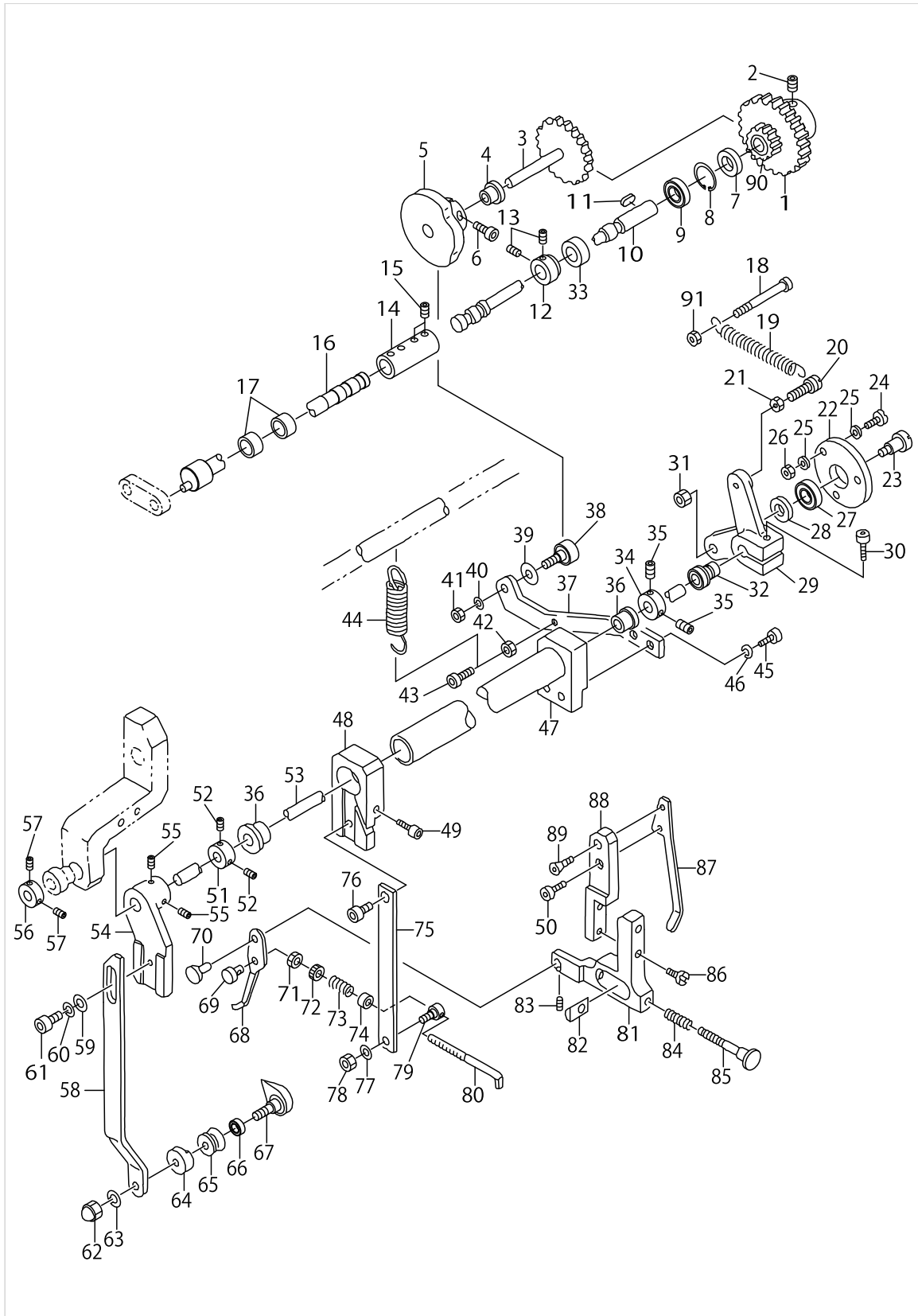
# HANDLE & MOTOR COMPONENTS



HANDLE & MOTOR COMPONENTS

No.	Supply Code	Parts No.	Replacement	Parts name	Remarks	Choice	Step	Level	Cons	Qty	Rep. QTY
93	D	SM9061403SC		SCREW M6 L=14	FOR JE					2	
94		WS0610002KN		SPRING WASHER 6.1X12.2X1.5	FOR JE					2	
95		WP0641601SC		WASHER	FOR JE					2	
96	D	E1366715000		STANDARD BRACKET	FOR JE					2	
97		TA0800504R0		PLUG D=8 L=4.5	FOR JE					2	
98		NM6060003SC		NUT M6	FOR JE					2	
99		SM6042002TP		SCREW M4X0.7 L=20						4	

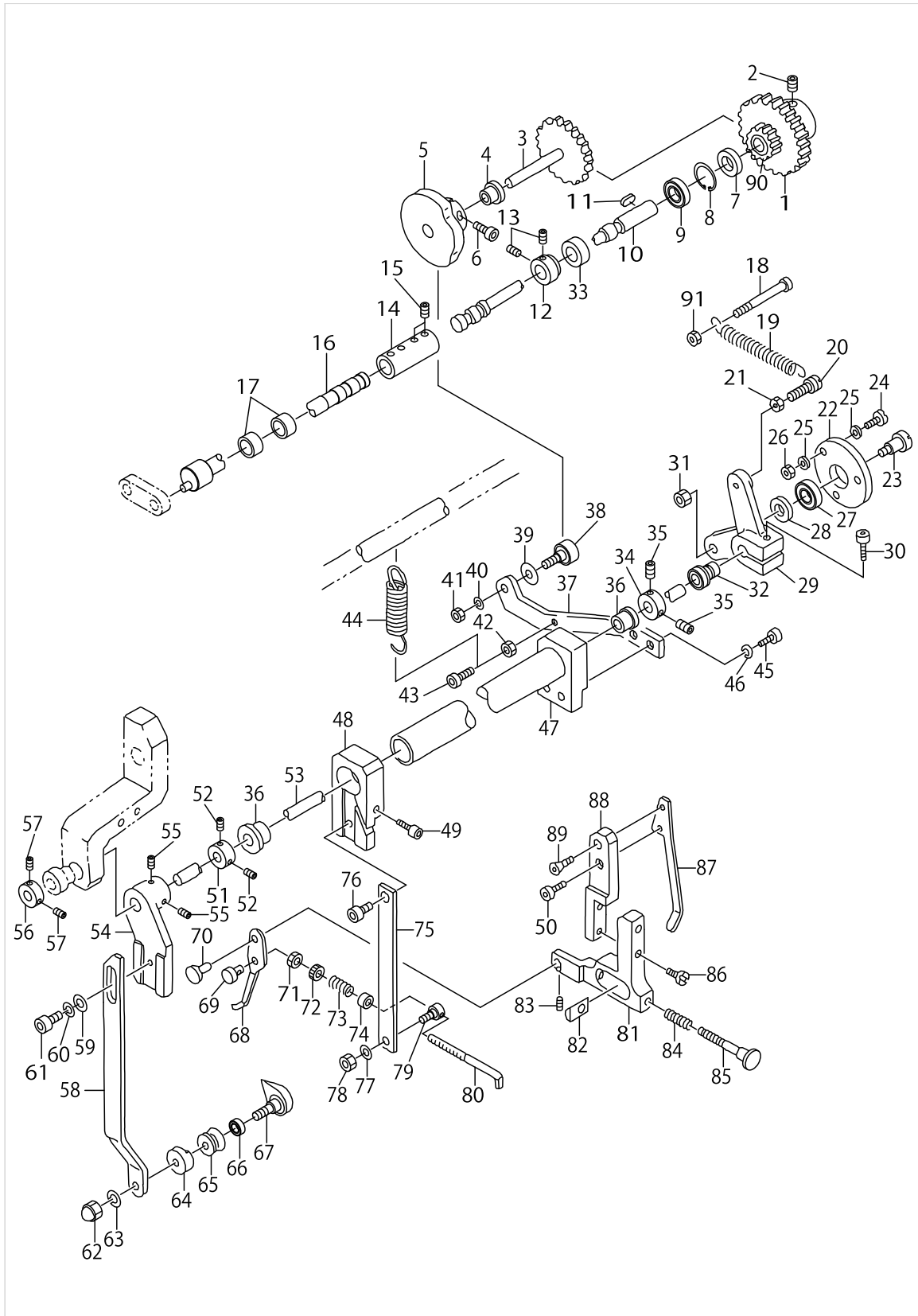
# LEET & RIGHT LOOPER COMPONENTS



LEET & RIGHT LOOPER COMPONENTS

No.	Supply Code	Parts No.	Replacement	Parts name	Remarks	Choice	Step	Level	Cons	Qty	Rep. QTY
1		16625709		FLAT GEAR H						1	
2		SM8050812TP		SCREW M5X8						2	
3		16625808		FLAT GEAR J						1	
4		25242603		BUSHING						1	
5		16878001		RIGHT LOOPER CAM (3MM)						1	
6		SM6041502TP		SCREW M4X0.7 L=15						1	
7		25242801		COLLAR,B						1	
8	D	25253204		SNAP RING						1	
9		G1812870000		LOWER SHAFT INNER BEARING						1	
10		16665101		SHAFT						1	
11		16714503		KEY						1	
12		16711301		COLLAR						1	
13		SM8050602TP		SCREW M5 L=6						2	
14		16665002		SHAFT JOINTING						1	
15		SM8050502TP		SCREW M5 L=5						4	
16		25161100		SHAFT 5MM						1	
17		25253303		NEEDLE BEARING						2	
18		SM6086002TP		SCREW						1	
19	D	16627515		SPRING						1	
20	D	16699605		SPRINGSUSPENSION						1	
21		NM6060001SC		NUT M6						1	
22		16627804		ROLLER						1	
23		25243908		ROLLER PIN						1	
24		SS6121210SP		SCREW 3/16-28 L=12						3	
25		16627903		WASHER						6	
26		NS6120310SP		NUT 3/16-28						3	
27		SB110000900		BEARING						1	
28		16627606		COLLAR						1	
29		25216508		ROLLER LEVER						1	
30		SM6062002TP		SCREW M6 L=20						1	
31		NM6060001SC		NUT M6						1	
32		25254608		BEARING						1	
33		25242702		COLLAR,A						1	
34	D	16711608		COLLAR						1	
35		SM8040502TP		SCREW M4X0.7 L=5						2	
36		16630303		BUSHING						2	
37		16630709		LEVER						1	
38		16713208		CAM FOLLOWER						1	
39		16630808		WASHER						1	
40		WS0510002KN		SPRING WASHER						1	
41		NM6050001SC		NUT M5						1	
42		NM6040001SC		NUT M4						1	
43		SM6041502TP		SCREW M4X0.7 L=15						1	
44		16630907		SPRING						1	
45		SM6041502TP		SCREW M4X0.7 L=15						2	
46		WS0410002KN		SPRING WASHER						2	

# LEET & RIGHT LOOPER COMPONENTS

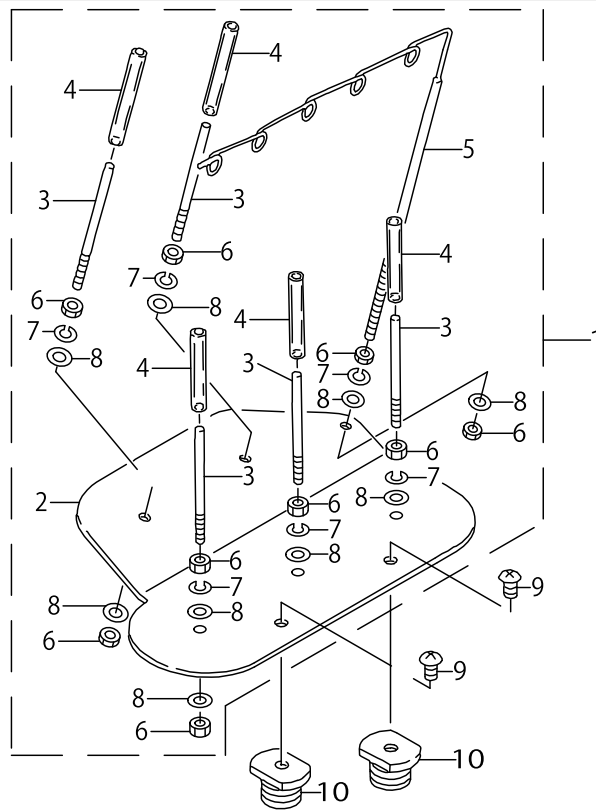


LEET & RIGHT LOOPER COMPONENTS

No.	Supply Code	Parts No.	Replacement	Parts name	Remarks	Choice	Step	Level	Cons	Qty	Rep. QTY
47		25217506		LONG COLLAR						1	
48		16631004		HOLDER						1	
49		SM6052502TP		SCREW M5X0.8 L=25						1	
50		SM6041002TP		SCREW M4 L=10						1	
51	D	16711608		COLLAR						1	
52		SM8040502TP		SCREW M4X0.7 L=5						2	
53		25217407		LEFT LOOPER SHAFT						1	
54		16629701		LEVER HOLDER						1	
55		SS8660612TP		SCREW 1/4-40 L=6						2	
56		16630204		SET COLLAR						1	
57		SM8040502TP		SCREW M4X0.7 L=5						2	
58	D	16629800		LOOPER ARM						1	
59		WP0430801SC		WASHER 4.3X9X0.8						1	
60		WS0410002KN		SPRING WASHER						1	
61		SM6041002TP		SCREW M4 L=10						1	
62		NM7030510SA		NUT M3						1	
63		WS0310002KN		SPRING WASHER M3						1	
64		25217308		LOOPER HOLDING DISH						1	
65		25217209		LOOPER ROLLER						1	
66		SB104000500		ROLLING SHAFT HOLDER						1	
67	D	25217100		LEFT LOOPER						1	
68		16631814		RIGHT LOOPER						1	
69		16631707		PIN 2						1	
70		16632010		PIN						1	
71		NM6030001SC		NUT M3						1	
72		16631509		NUT						1	
73		16631400		TENSION SPRING						1	
74		16631608		COLLAR						1	
75		16631111		LEVER						1	
76		SM6040502TP		SCREW M4X0.7 L=5						1	
77		WP0430801SE		WASHER 4.3X9X0.8						1	
78		NM6040001SD		NUT M4						1	
79		16631202		PIN 1						1	
80		16631301		RIGHT LOOPER PIN						1	
81		16631939		BRACKET						1	
82		16632200		ADJUSTING NUT						1	
83		SM8030302TP		SCREW M3X0.5 L=3						1	
84		16632309		SPRING						1	
85		16632119		ADJUSTING SCREW						1	
86		SS6081210SP		SCREW 1/8-44 L=12						2	
87		16632408		PRESSER SPRING						1	
88		16877508		MOUNTING BASE						1	
89		16717001		SCREW						1	
90		16625600		FLAT GEAR I						1	
91		NM6080001SC		NUT M8X1.25						1	



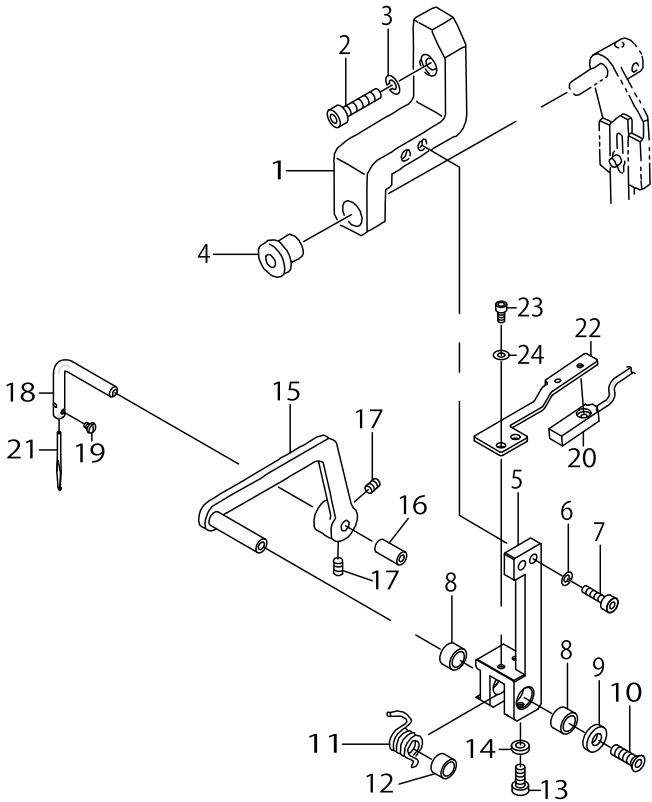
THREAD STAND COMPONENTS



THREAD STAND COMPONENTS

No.	Supply Code	Parts No.	Replacement	Parts name	Remarks	Choice	Step	Level	Cons	Qty	Rep. QTY
1		25238551		THREAD REISING ASM.						1	
2		25238502		THREAD RAISING BASE				*		1	
3		25238700		THREAD RAISING ROD				*		5	
4		BT0600400EC		TUBE HOSE, BLUE				*		5	
5		25238601		THREAD GUIDE				*		1	
6		NM6040003SC		NUT M4				*		12	
7		WS0410002KN		SPRING WASHER				*		6	
8		WP0430801SC		WASHER 4.3X9X0.8				*		12	
9		25151903		SCREW						2	
10		25238809		NUT						2	

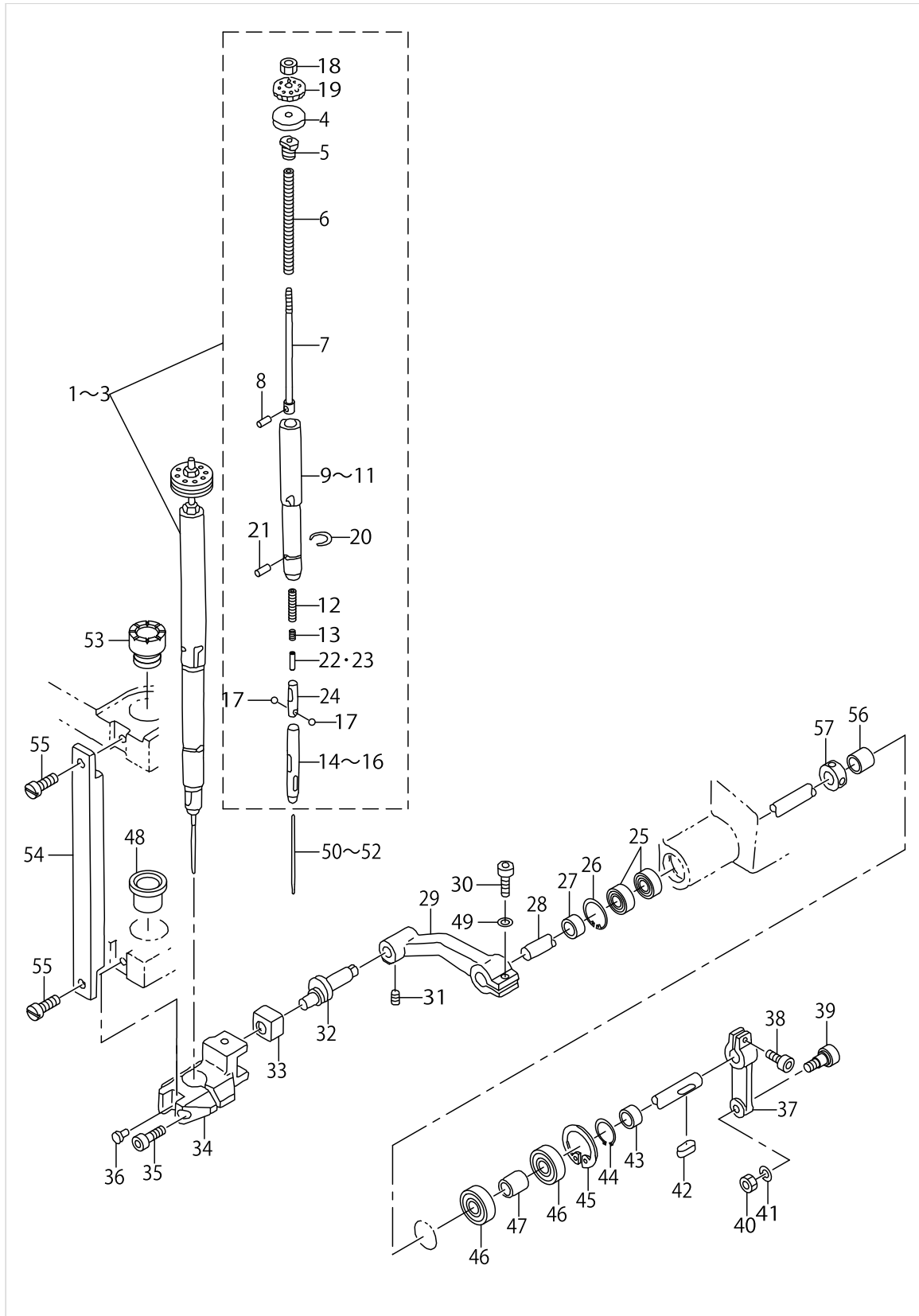
THREADING COMPONENTS



THREADING COMPONENTS

No.	Supply Code	Parts No.	Replacement	Parts name	Remarks	Choice	Step	Level	Cons	Qty	Rep. QTY
1		25219205		BRACKET						1	
2		SM6082502TP		SCREW M8 L=25						1	
3		WS0820002KN		SPRING WASHER M8						1	
4		16629503		BUSHING						1	
5		25218009		BRACKET						1	
6		WS0410002KN		SPRING WASHER						2	
7		SM6041502TP		SCREW M4X0.7 L=15						2	
8	D	16632606		BUSHING						2	
9		16633109		DISK WASHER						1	
10		25150004		SCREW						1	
11		16633000		SPRING						1	
12	D	16632903		GUIDE COLLAR						1	
13		SM6031002TP		HEXAGONAL BOLT M3 X 10						1	
14		NM6030001SC		NUT M3						1	
15		25218108		THREADING LEVER						1	
16		BT0600400EC		TUBE HOSE, BLUE						1	
17		16718405		SCREW						2	
18		16633216		NEEDLE FIXING PIN						1	
19		SS4060310SP		SCREW 3/32-56 L=2.5						1	
20		25212259		NS-6 CABLE ASM.						1	
21	D	16633406		THREADING NEEDLE						1	
22		25161803		THREADING SENSOR BRACKET						1	
23		SM6030602TP		SCREW M3X0.5 L=6						2	
24		WP0320501SC		WASHER M3						2	

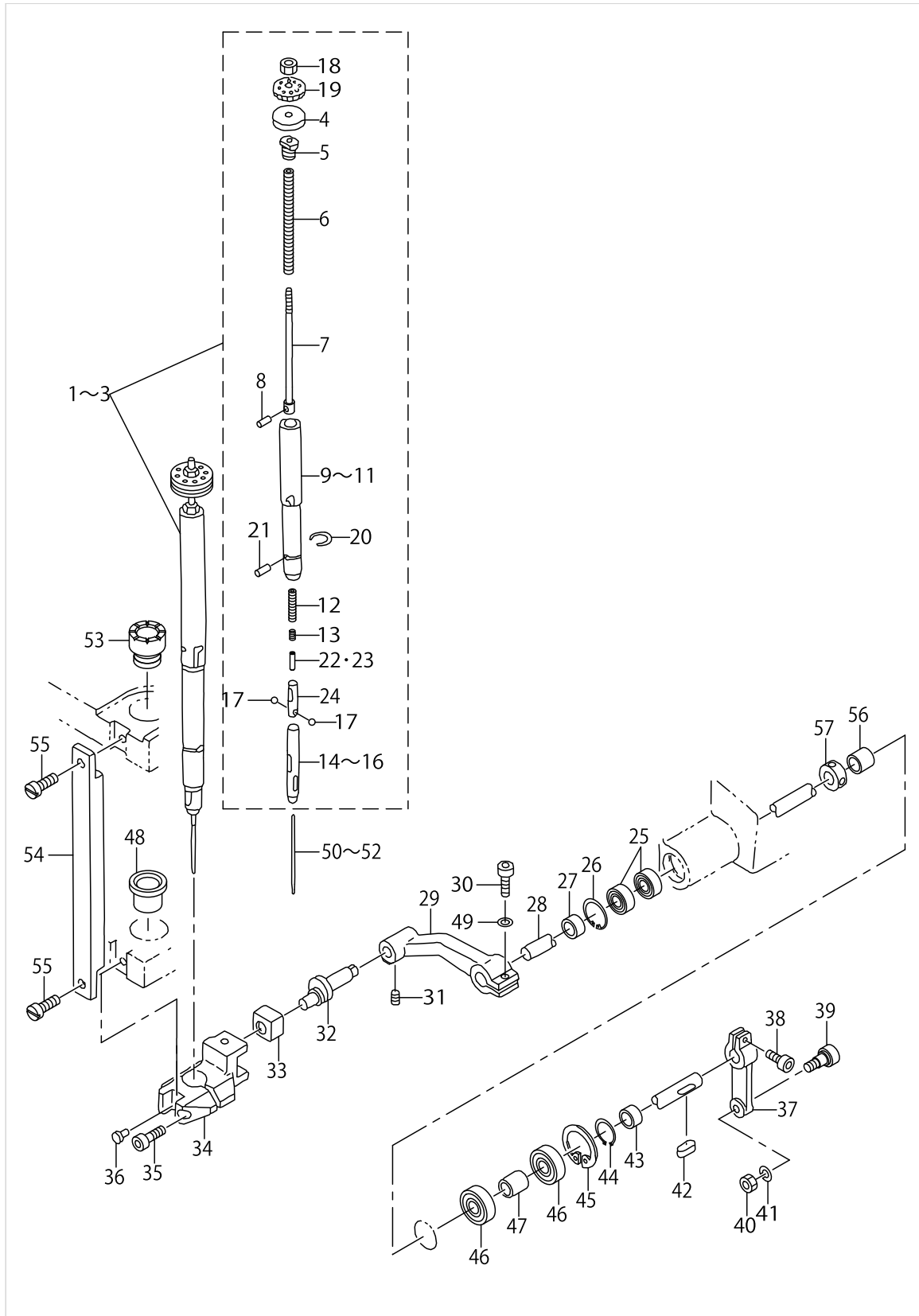
# UPPER NEEDLE BAR COMPONENTS



UPPER NEEDLE BAR COMPONENTS

No.	Supply Code	Parts No.	Replacement	Parts name	Remarks	Choice	Step	Level	Cons	Qty	Rep. QTY
1		25249962		NEEDLEBARASM.#38	FOR FLS-350NA					1	
2		16799660		NEEDLEBARASM.#49	FOR FLS-350NB					1	
3		25243668		NEEDLEBARASM.#32	FOR FLS-351NA					1	
4		16661704		RUBBER WASHER				*		1	
5		16661308		BOLT				*		1	
6		16661605		BAR SPRING				*		1	
7		16661506		SUPPORT SLEEVE ROD				*		1	
8		G5514340000		PIN				*		1	
9		16661209		SUPPORT CYLINDER	FOR FLS-350NA			*		1	
10		16798100		SUPPORT CYLINDER	FOR FLS-351NA			*		1	
11		16799603		SUPPORT CYLINDER B, #49	FOR FLS-350NB			*		1	
12		G5507340000		LOCK SPRING				*		1	
13		G5506340000		STOP SPRING				*		1	
14		25249905		SUPPORT SLEEVE	FOR FLS-350NA			*		1	
15		16799702		SUPPORT SLEEVE, B #49	FOR FLS-350NB			*		1	
16		25243601		SUPPORT SLEEVE	FOR FLS-351NA			*		1	
17	D	G5542340000		STEEL BALL				*		2	
18		16680803		NUT				*		1	
19		16661803		NEEDLE BOLT				*		1	
20		G5513340000		RING				*		1	
21	D	G5512340000		STOP PIN				*		1	
22		25250010		PIN	FOR FLS-350NA,NB			*		1	
23	D	25234105		PIN (FOR #32)	FOR FLS-351NA			*		1	
24	D	G5503340000		STEEL BALL HOLDER				*		1	
25		SB115000400		RADIAL BEARING						2	
26	D	RC3200002KP		C RING						1	
27		25219007		COLLAR,6						1	
28		25218801		UPPER NEEDLE ROD SHAFT						1	
29	D	25218504		ARM,UPPER						1	
30		SM6062502TP		SCREW M6 L=25						1	
31		SM8060552TP		SCREW M6 L=5						1	
32	D	16633802		ECCENTRIC PIN, UPPER						1	
33	D	16633901		SLIDE BLOCK						1	
34	D	16661019		LIFTING BOSS (UPPER)						1	
35		SM6052002TP		SCREW M5 L=20						1	
36	D	25234006		PIN						1	
37		25218405		CAM FOLLOWER LEVER						1	
38		SM6063002TP		SCREW M6 L=30						1	
39	D	25254301		CAM FOLLOWER						1	
40		NM6080001SC		NUT M8X1.25						1	
41		WS0820002KN		SPRING WASHER M8						1	
42		25252008		KEY						1	
43		25218306		COLLAR,7						1	
44		RC0150001KP		RETAINING RING 13.8						1	
45		16718702		RETAINING RING						1	
46		SB115001200		BEARING						2	

# UPPER NEEDLE BAR COMPONENTS

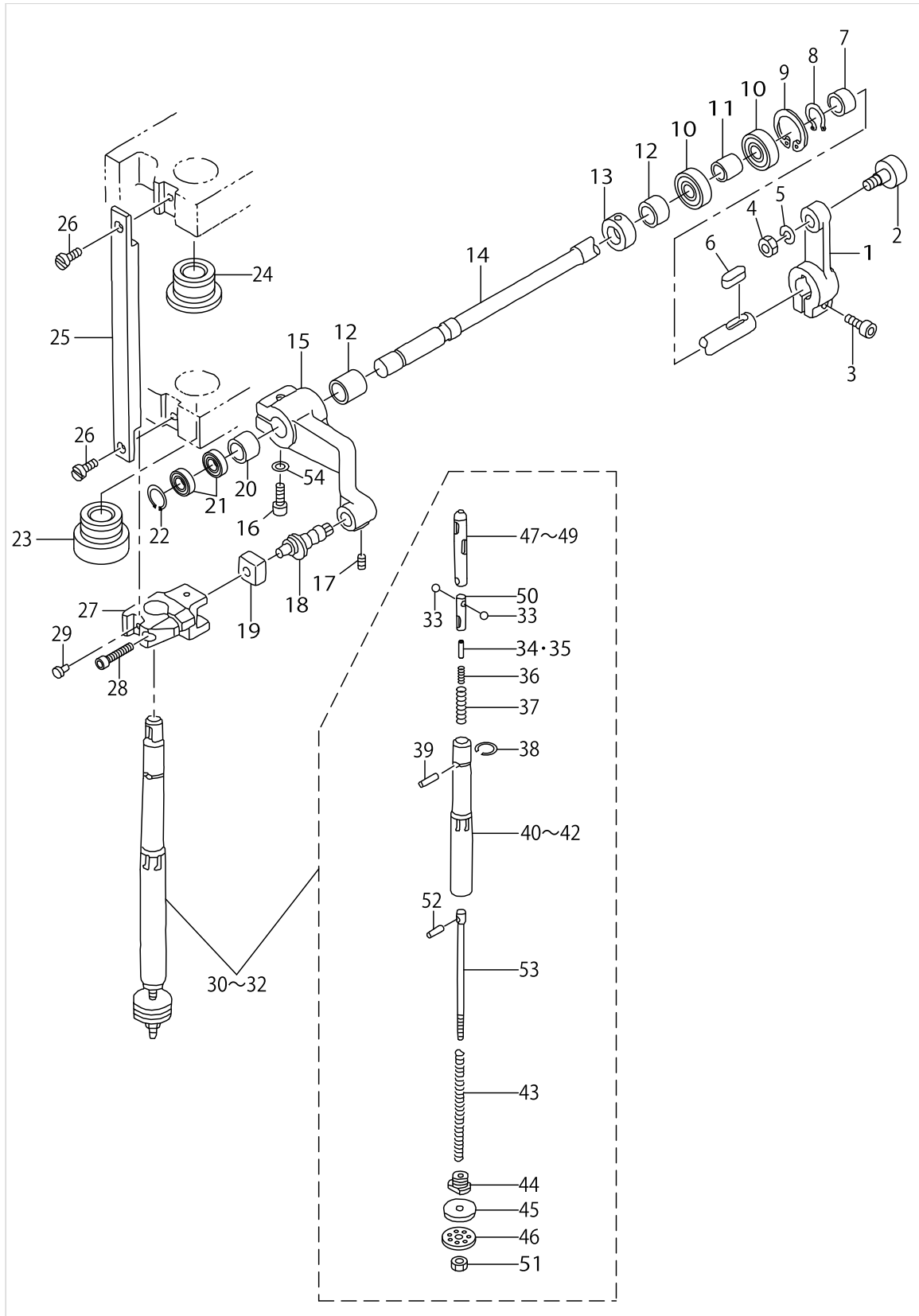


UPPER NEEDLE BAR COMPONENTS

No.	Supply Code	Parts No.	Replacement	Parts name	Remarks	Choice	Step	Level	Cons	Qty	Rep. QTY
47		16629008		BEARING COLLAR						1	
48	D	16662009		BUSHING B						1	
49		WP0621016SH		WASHER						1	
50		MDPN10A0000		NEEDLE DPN-1032B38	FOR FLS-350NA					1	
51		MDPN10B0000		NEEDLE DPN-1032B49	FOR FLS-350NB					1	
52		MDPN10C0000		NEEDLE DPN-1032B32	FOR FLS-351NA					1	
53		16661902		BUSHING A						1	
54		16662108		STAY						1	
55		SS6090810SP		SCREW 9/64-40 L=7.5						2	
56		25219106		COLLAR						1	
57		16711202		COLLAR						1	



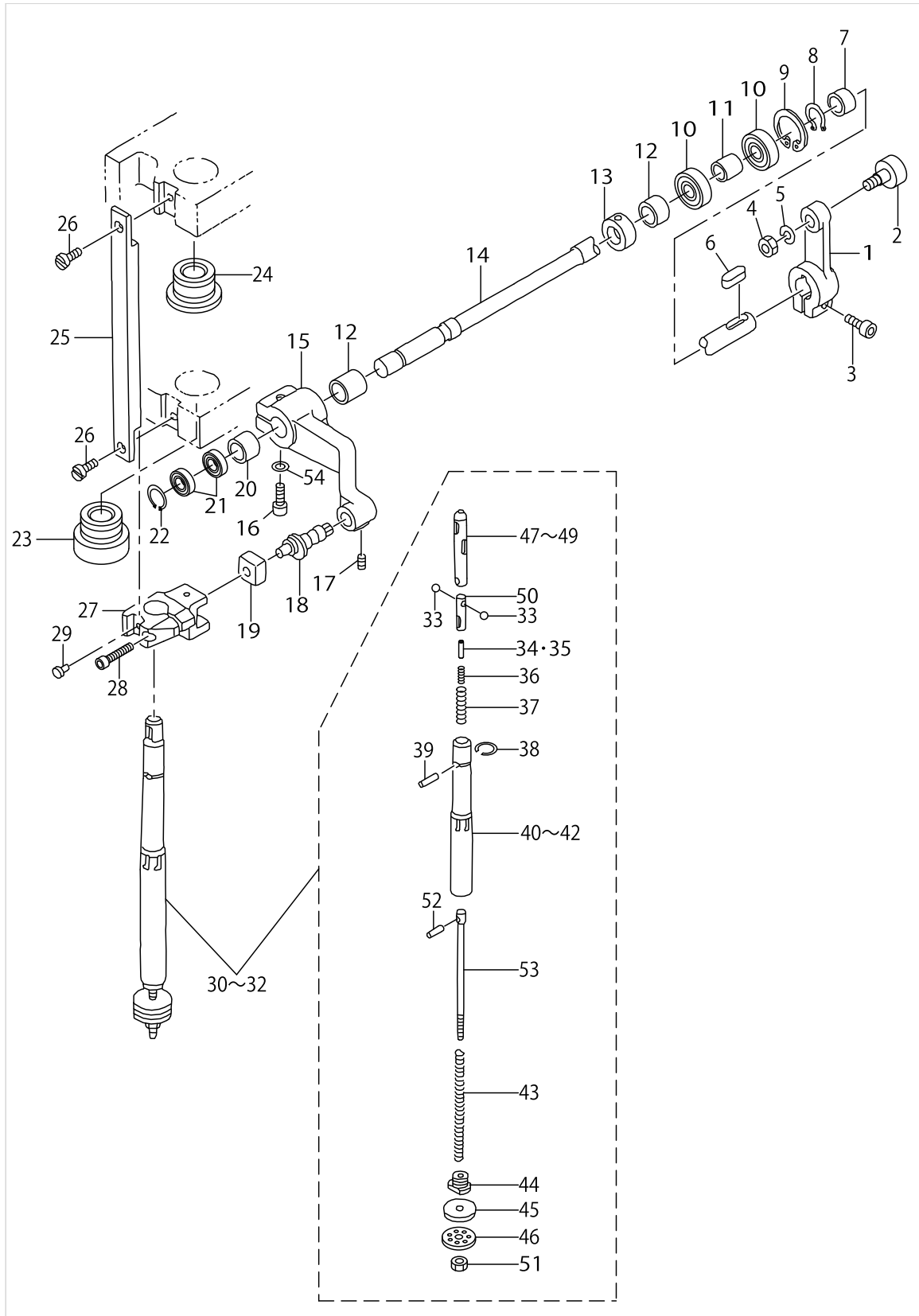
LOWER NEEDLE BAR COMPONENTS



LOWER NEEDLE BAR COMPONENTS

No.	Supply Code	Parts No.	Replacement	Parts name	Remarks	Choice	Step	Level	Cons	Qty	Rep. QTY
1		25218405		CAM FOLLOWER LEVER						1	
2	D	25254301		CAM FOLLOWER						1	
3		SM6063002TP		SCREW M6 L=30						1	
4		NM6080001SC		NUT M8X1.25						1	
5		WS0820002KN		SPRING WASHER M8						1	
6		25252008		KEY						1	
7		25218306		COLLAR,7						1	
8		RC0150001KP		RETAINING RING 13.8						1	
9		16718702		RETAINING RING						1	
10		SB115001200		BEARING						2	
11		16629008		BEARING COLLAR						1	
12		25219106		COLLAR						2	
13		16711202		COLLAR						1	
14		25218702		LOWER NEEDLE ROD SHAFT						1	
15	D	25218603		ARM,LOWER						1	
16		SM6062502TP		SCREW M6 L=25						1	
17		SM8060552TP		SCREW M6 L=5						1	
18	D	16635005		ECCENTRIC PIN, LOWER						1	
19	D	16633901		SLIDE BLOCK						1	
20		25219007		COLLAR,6						1	
21		SB115000400		RADIAL BEARING						2	
22	D	RC3200002KP		C RING						1	
23		16661902		BUSHING A						1	
24	D	16662009		BUSHING B						1	
25		16662108		STAY						1	
26		SS6090810SP		SCREW 9/64-40 L= 7.5						2	
27	D	16661118		LIFTING BOSS (LOWER)						1	
28		SM6052002TP		SCREW M5 L=20						1	
29	D	25234006		PIN						1	
30		25249962		NEEDLEBARASM.#38	FOR FLS-350NA					1	
31		16799660		NEEDLEBARASM.#49	FOR FLS-350NB					1	
32		25243668		NEEDLEBARASM.#32	FOR FLS-351NA					1	
33	D	G5542340000		STEEL BALL				*		2	
34		25250010		PIN	FOR FLS-350NA,NB			*		1	
35	D	25234105		PIN (FOR #32)	FOR FLS-351NA			*		1	
36		G5506340000		STOP SPRING				*		1	
37		G5507340000		LOCK SPRING				*		1	
38		G5513340000		RING				*		1	
39	D	G5512340000		STOP PIN				*		1	
40		16661209		SUPPORT CYLINDER	FOR FLS-350NA			*		1	
41		16798100		SUPPORT CYLINDER	FOR FLS-351NA			*		1	
42		16799603		SUPPORT CYLINDER B, #49	FOR FLS-350NB			*		1	
43		16661605		BAR SPRING				*		1	
44		16661308		BOLT				*		1	
45		16661704		RUBBER WASHER				*		1	
46		16661803		NEEDLE BOLT				*		1	

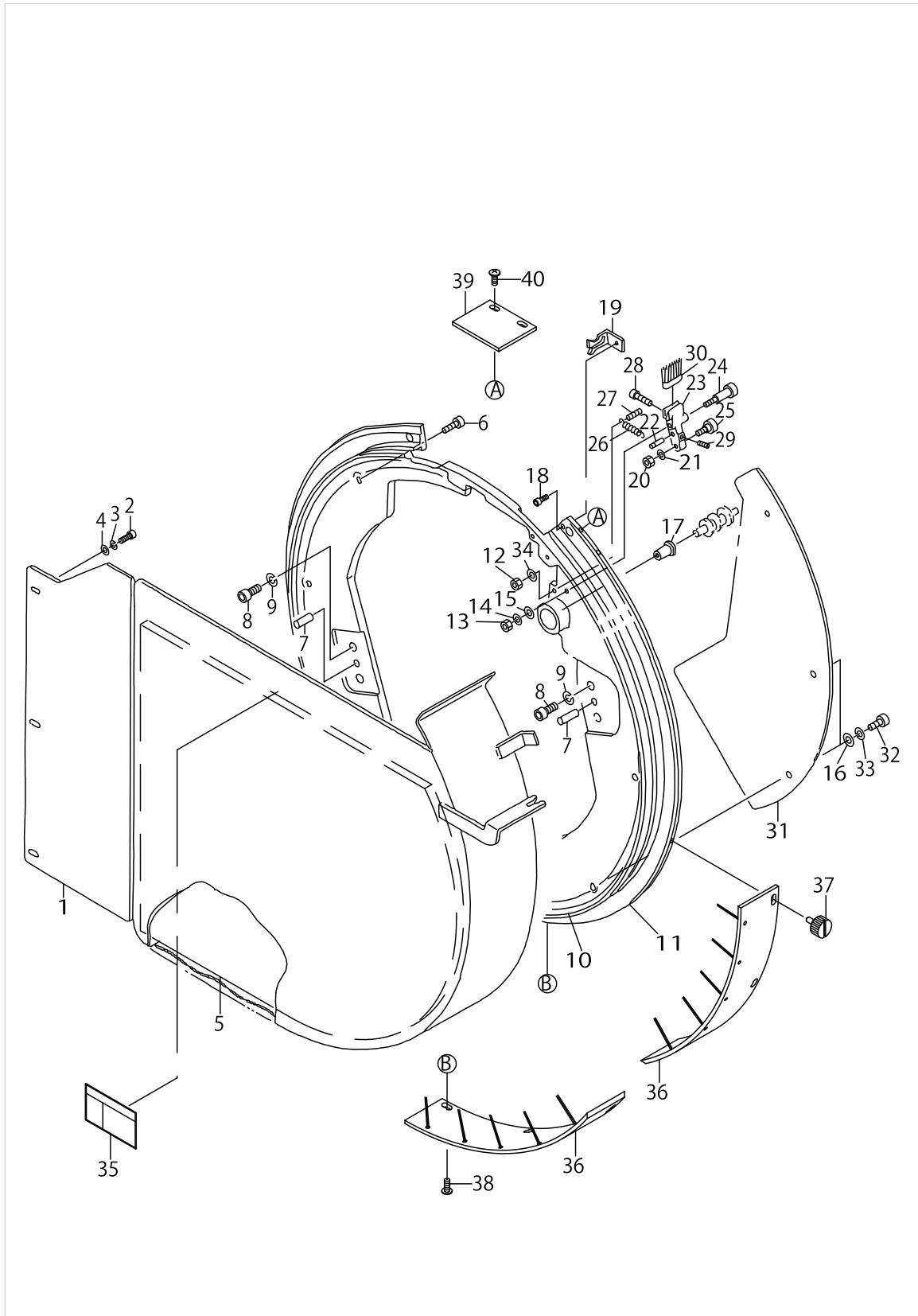
# LOWER NEEDLE BAR COMPONENTS



LOWER NEEDLE BAR COMPONENTS

No.	Supply Code	Parts No.	Replacement	Parts name	Remarks	Choice	Step	Level	Cons	Qty	Rep. QTY
47		25249905		SUPPORT SLEEVE	FOR FLS-350NA			*		1	
48		16799702		SUPPORT SLEEVE, B #49	FOR FLS-350NB			*		1	
49		25243601		SUPPORT SLEEVE	FOR FLS-351NA			*		1	
50	D	G5503340000		STEEL BALL HOLDER				*		1	
51		16680803		NUT				*		1	
52		G5514340000		PIN				*		1	
53		16661506		SUPPORT SLEEVE ROD				*		1	
54		WP0621016SH		WASHER				*		1	

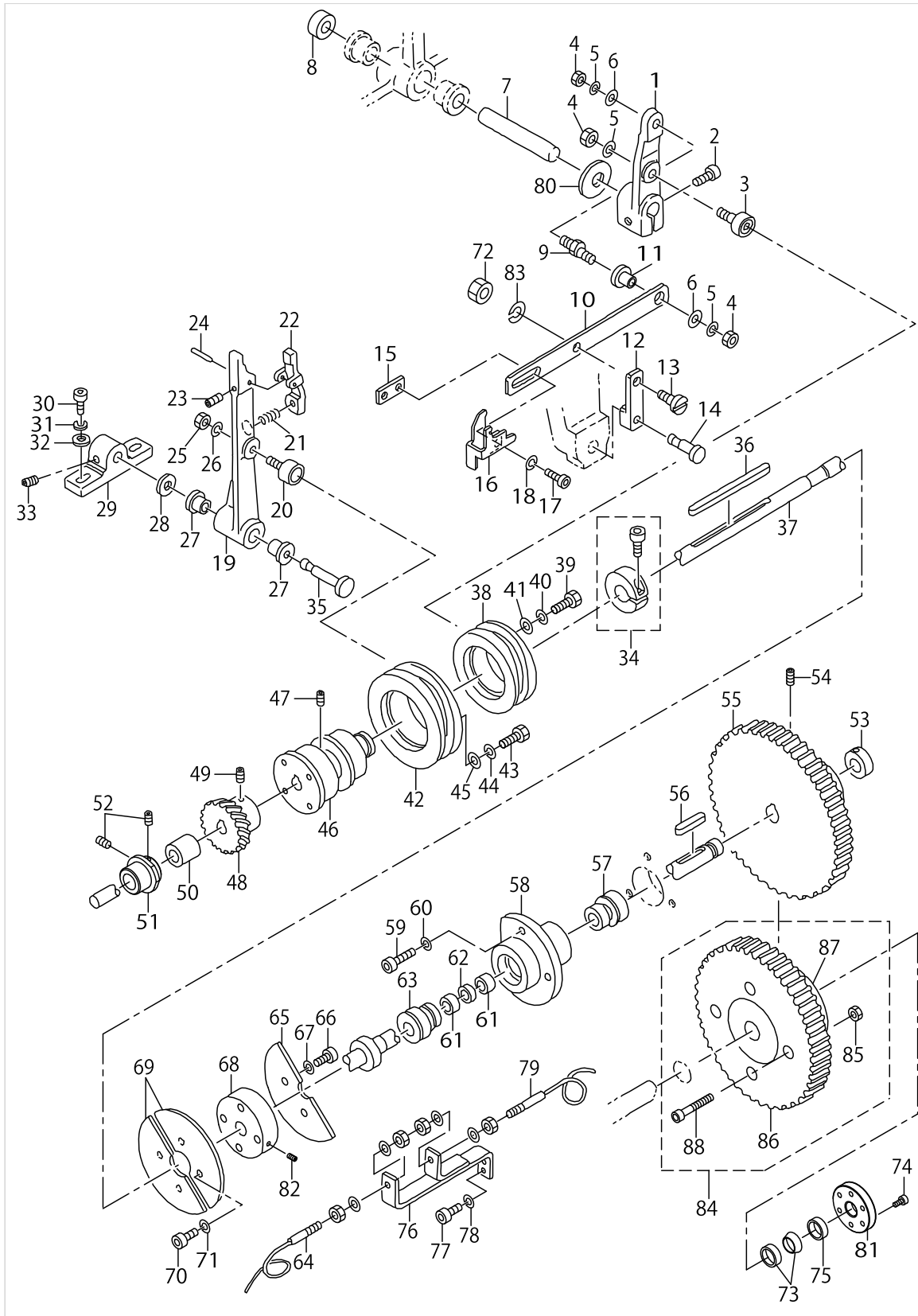
DRUM COMPONENTS



DRUM COMPONENTS

No.	Supply Code	Parts No.	Replacement	Parts name	Remarks	Choice	Step	Level	Cons	Qty	Rep. QTY
1		25165002		DRUM COVER,C						1	
2		SM6051202TP		SCREW M5X0.8 L=12						3	
3		WS0510002KN		SPRING WASHER						3	
4		WP0531001SC		WASHER						3	
5		25250903		NOISE-PROOF RUBBER						1	
6		SM6082502TP		SCREW M8 L=25						1	
7		16712507		PIN						2	
8		SM6083002TP		SCREW M8 L=30						4	
9		WS0820002KN		SPRING WASHER M8						4	
10		25219304		DRUM,INNER						1	
11	D	25250309		DRUM,OUTER						1	
12		NM6040001SC		NUT M4						1	
13		NM6050001SC		NUT M5						1	
14		WS0510002KN		SPRING WASHER						1	
15		WP0531001SC		WASHER						1	
16		WP0841601SC		WASHER 8.4X17.4X1.6						6	
17		16637308		BUSHING						1	
18		SM6030802TP		SCREW M3X0.5 L=8						1	
19	D	25220005		GUIDE BRACKET						1	
20		NM6050001SC		NUT M5						1	
21		WS0510002KN		SPRING WASHER						1	
22		16636706		ANCHOR						1	
23		25220609		BRUSH BRACKET,1						1	
24		25219700		PIN						1	
25		16713208		CAM FOLLOWER						1	
26		16878308		SPRING						1	
27		25239807		SPRING						1	
28		SM6031002TP		HEXAGONAL BOLT M3 X 10						2	
29		SM8030502TP		SCREW M3 L=5						1	
30		25241902		BRUSH						1	
31		25235102		DRUM COVER,B						1	
32		SM6083002TP		SCREW M8 L=30						6	
33		WS0820002KN		SPRING WASHER M8						6	
34		WP0430801SC		WASHER 4.3X9X0.8						1	
35		CM300200202		SAFETY LABEL 2 (LARGE)						1	
36	D	25240102		BRUSH						6	
37		25251406		SCREW						3	
38		SM0041001SC		SCREW M4 L=10						15	
39		25240003		PLATE						1	
40		SM0041001SC		SCREW M4 L=10						2	

# CYLINDRICAL CAM SHAFT COMPONENTS



CYLINDRICAL CAM SHAFT COMPONENTS

No.	Supply Code	Parts No.	Replacement	Parts name	Remarks	Choice	Step	Level	Cons	Qty	Rep. QTY
1		25244708		THREAD HAUL ARM						1	
2		SM6062002TP		SCREW M6 L=20						1	
3		25254509		CAM FOLLOWER						1	
4		NM6050001SC		NUT M5						3	
5		WS0510002KN		SPRING WASHER						3	
6		WP0531001SC		WASHER						2	
7		25244609		HAUL ARM PIN						1	
8	D	16711608		COLLAR						1	
9		25244302		THREAD HAUL CONNECTING PIN						1	
10		25244104		THREAD HAUL FITTING PLATE						1	
11	D	25244203		THREAD HAUL BUSHING						1	
12	D	25244500		LINK						1	
13	D	G5528340000A		LEVER STRUT						1	
14		25240508		LINK PIN,1						1	
15		16652117		HOLDING PLATE						1	
16	D	25230301		THREAD HAUL						1	
17		SM6030602TP		SCREW M3X0.5 L=6						1	
18		WS0310002KN		SPRING WASHER M3						1	
19		25221409		SWITCH-TYPELEVER						1	
20		25252909		CAM FOLLOWER						1	
21	D	25253907		SPRING						1	
22		25221508		SLIDE BLOCK PRESSER LEVER						1	
23		SM8040802TP		SCREW M4X8						1	
24	D	25253808		PARALLEL PIN						1	
25		NM6060001SC		NUT M6						1	
26		WS0610002KN		SPRING WASHER 6.1X12.2X1.5						1	
27		16629503		BUSHING						2	
28		16710600		THRUST WASHER						1	
29		25221607		FULCRUM BASIS						1	
30		SM6062502TP		SCREW M6 L=25						2	
31		WS0610002KN		SPRING WASHER 6.1X12.2X1.5						2	
32		WP0641601SC		WASHER						2	
33		SM8060602TP		SCREW M6X6						1	
34		16711400		SLIT COLLAR						1	
35		16641508		PIVOT PIN						1	
36		16714206		KEY						1	
37		25220104		SHAFT						1	
38		25250606		THREAD HAUL CAM						1	
39		SM9051603SD		BOLT M5X0.8 L=16						4	
40		WS0510002KN		SPRING WASHER						4	
41		16638108		WASHER						4	
42		16637902		CYLINDER CAM						1	
43		SM9051603SD		BOLT M5X0.8 L=16						4	
44		WS0510002KN		SPRING WASHER						4	
45		16638108		WASHER						4	
46		16637803		BOSS						1	

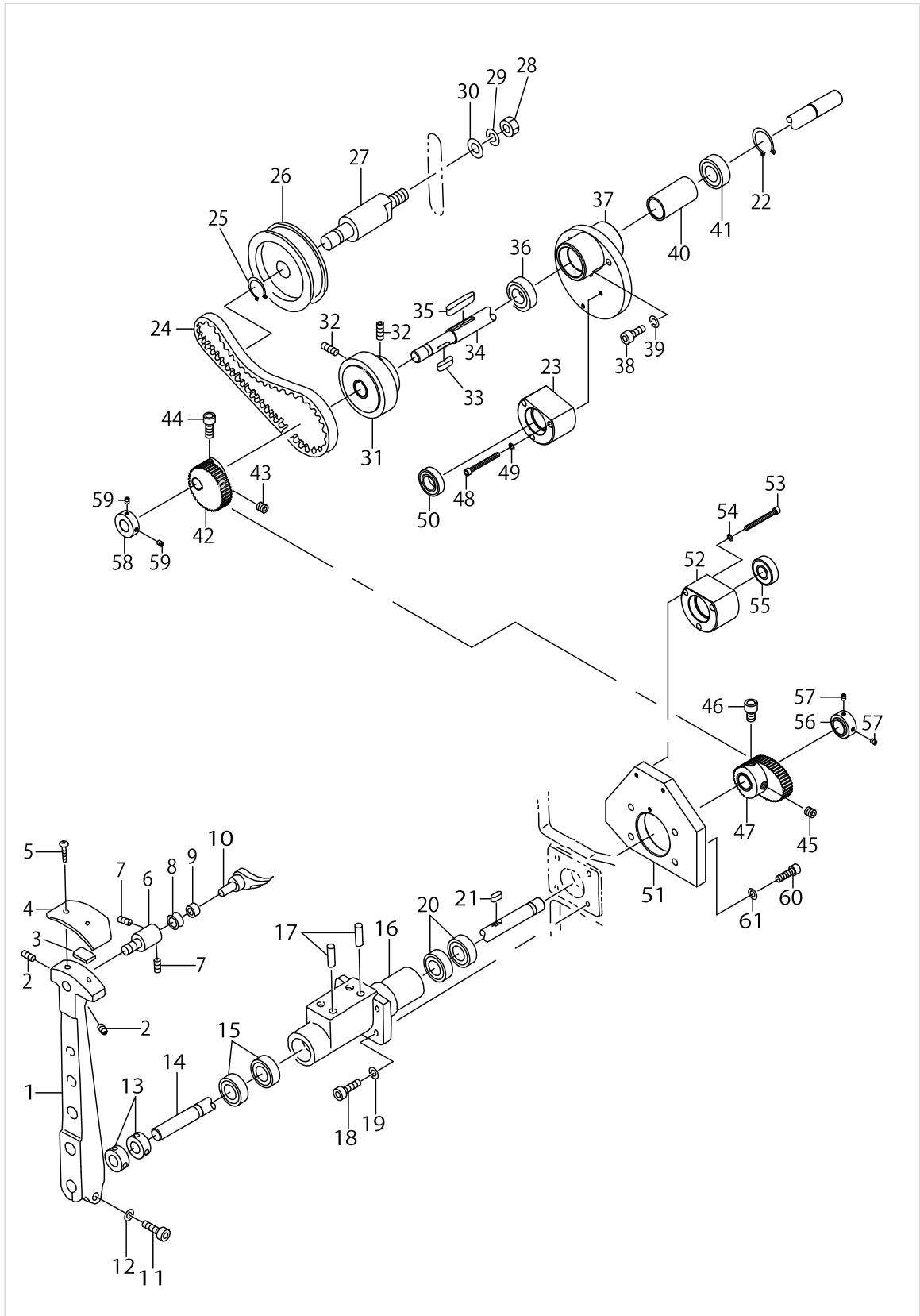




CYLINDRICAL CAM SHAFT COMPONENTS

No.	Supply Code	Parts No.	Replacement	Parts name	Remarks	Choice	Step	Level	Cons	Qty	Rep. QTY
47		SS8660612TP		SCREW 1/4-40 L=6						1	
48	D	16637704		GEAR 2						1	
49		SM8050602TP		SCREW M5 L=6						1	
50		16795007		POSITIONING COLLAR						1	
51		25249707		CAM						1	
52		SM8050602TP		SCREW M5 L=6						2	
53		16711301		COLLAR						1	
54		SM8050602TP		SCREW M5 L=6						1	
55		16626400		FLAT GEAR D						1	
56		16714305		KEY						1	
57		16710204		NEEDLE BEARING						1	
58		16626202		BEARING CASE						1	
59		SM6051802TP		SCREW M5 L=18						3	
60		WS0510002KN		SPRING WASHER						3	
61		16710907		COLLAR						2	
62		16711004		COLLAR						1	
63		16710204		NEEDLE BEARING						1	
64		25210550		NS-2 CABLE ASM.						1	
65		16638405		INSTRUCTIONS PLATE 2						1	
66		SM6040802TP		SCREW M4X0.7 L=8						2	
67		WS0410002KN		SPRING WASHER						2	
68		16638306		INSTRUCTIONS DRUM						1	
69		16638207		INSTRUCTIONS PLATE 1						2	
70		SM6040802TP		SCREW M4X0.7 L=8						4	
71		WS0410002KN		SPRING WASHER						4	
72		NM6050003SC		NUT M5X0.8						1	
73		25251505		POWER LOCK						2	
74		SM6042002TP		SCREW M4X0.7 L=20						6	
75		25250408		SLEEVE						1	
76		16629107		SENSOR BRACKET						1	
77		SM6051552TP		SCREW M5 L=15						2	
78		WS0510002KN		SPRING WASHER						2	
79		25210451		NS-1 CABLE ASM.						1	
80		16710600		THRUST WASHER						1	
81		25250507		FRANGE						1	
82		SM8040802TP		SCREW M4X8						2	
83		WS0510002KN		SPRING WASHER						1	
84		25249855		72T GEAR ASM.						1	
85		NM6040001SC		NUT M4					*	4	
86		25243700		72T GEAR					*	1	
87		25249806		72T GEAR BOSS					*	1	
88		SM6042502TP		SCREW M4X0.7 L=25					*	4	

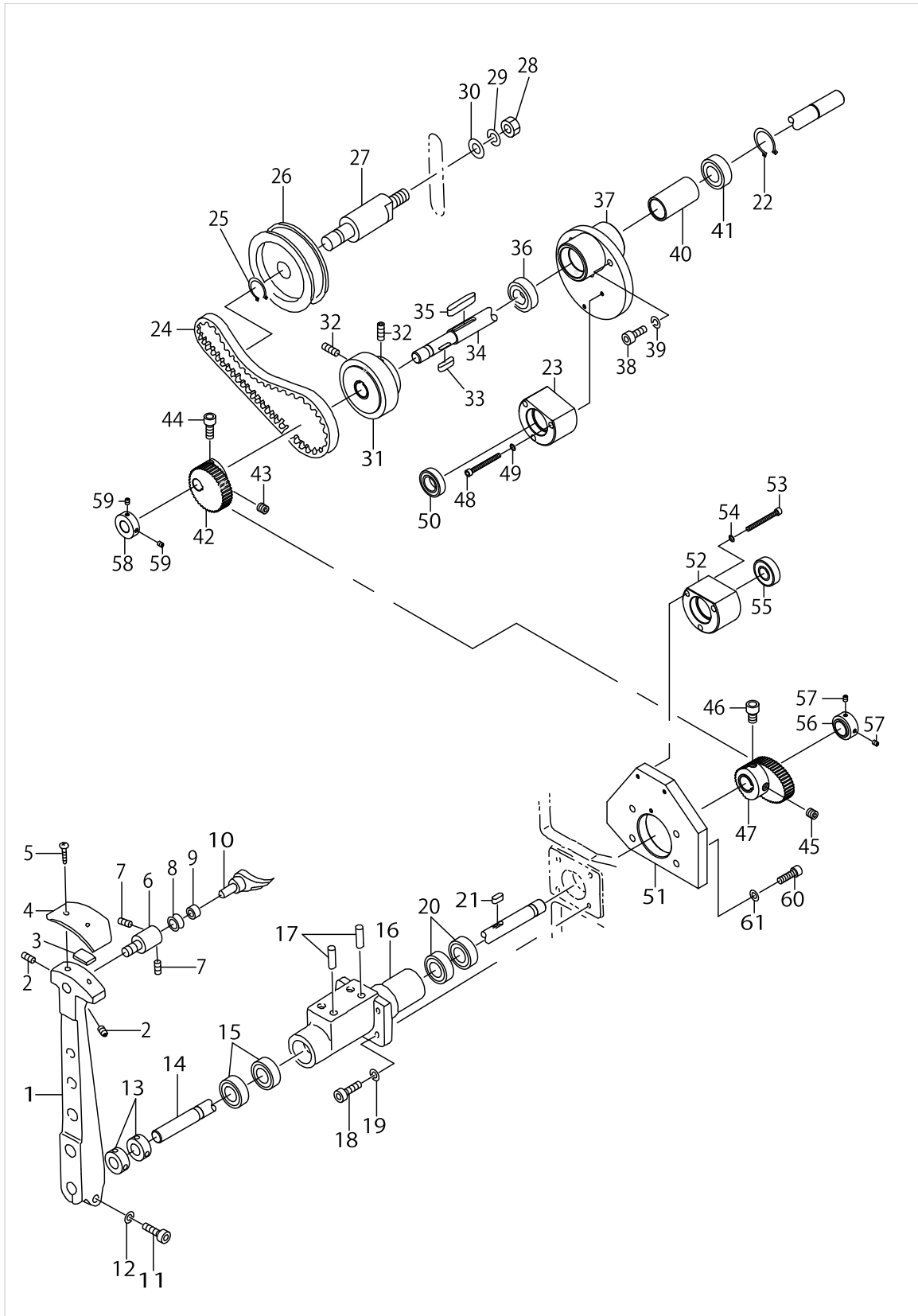
# LOWER LOOPER COMPONENTS



LOWER LOOPER COMPONENTS

No.	Supply Code	Parts No.	Replacement	Parts name	Remarks	Choice	Step	Level	Cons	Qty	Rep. QTY
1		25221102		LOWER LOOPER ARM						1	
2		SM8050812TP		SCREW M5X8						2	
3		16811705		SPACER						1	
4		16639106		GUIDE PLATE						1	
5		SM0040601SC		SCREW M4X0.7 L=6						2	
6		25242009		ECCENTRIC PIN						1	
7		SM8040502TP		SCREW M4X0.7 L=5						2	
8	D	25242108		LOWER LOOPER ROLLER						1	
9	D	16710501		BEARING						1	
10	D	16639403		LOWER LOOPER						1	
11		SM6083002TP		SCREW M8 L=30						1	
12		WP0841601SC		WASHER 8.4X17.4X1.6						1	
13		16711202		COLLAR						2	
14		25381005		LOWER LOOPER SHAFT						1	
15		SB115000400		RADIAL BEARING						2	
16		25221201		BEARING CASE						1	
17		16712507		PIN						2	
18		SM6063002TP		SCREW M6 L=30						4	
19		WS0610002KN		SPRING WASHER 6.1X12.2X1.5						4	
20		SB115000400		RADIAL BEARING						2	
21		25252008		KEY						1	
22		RC0150001KP		RETAINING RING 13.8						1	
23		25160409		SHAFTHOLDERCASE						1	
24	D	25254707		TIMING BELT						1	
25		RC1200001KP		C-SHAPED SNAP RING						1	
26	D	25254905		IDLER PULLEY						1	
27		25215708		IDLER SHAFT						1	
28		NM6100001SC		NUT M10X1.5						1	
29		WS1020002KN		SPRING WASHER M10						1	
30		WP1052001SC		WASHER 10,5X21X2						1	
31		25216417		TIMING PULLEY,2						1	
32		SM8050802TP		SCREW M5X0.8 L=8						2	
33		25252107		KEY						1	
34		25160805		GEAR SHAFT(A)						1	
35		25252206		KEY						1	
36		SB115000400		RADIAL BEARING						1	
37		25160300		BEARING CASE						1	
38		SM6051802TP		SCREW M5 L=18						3	
39		WS0510002KN		SPRING WASHER						3	
40		25381203		BEARING COLLAR						1	
41		SB115000400		RADIAL BEARING						1	
42		25166307		ELLIPSE GEAR (AN)						1	
43		SM8080802TP		SCREW						1	
44	R	25148404	SM8080802TP	SCREW						1	1.00
45		SM8080802TP		SCREW						1	
46	R	25148404	SM8080802TP	SCREW						1	1.00

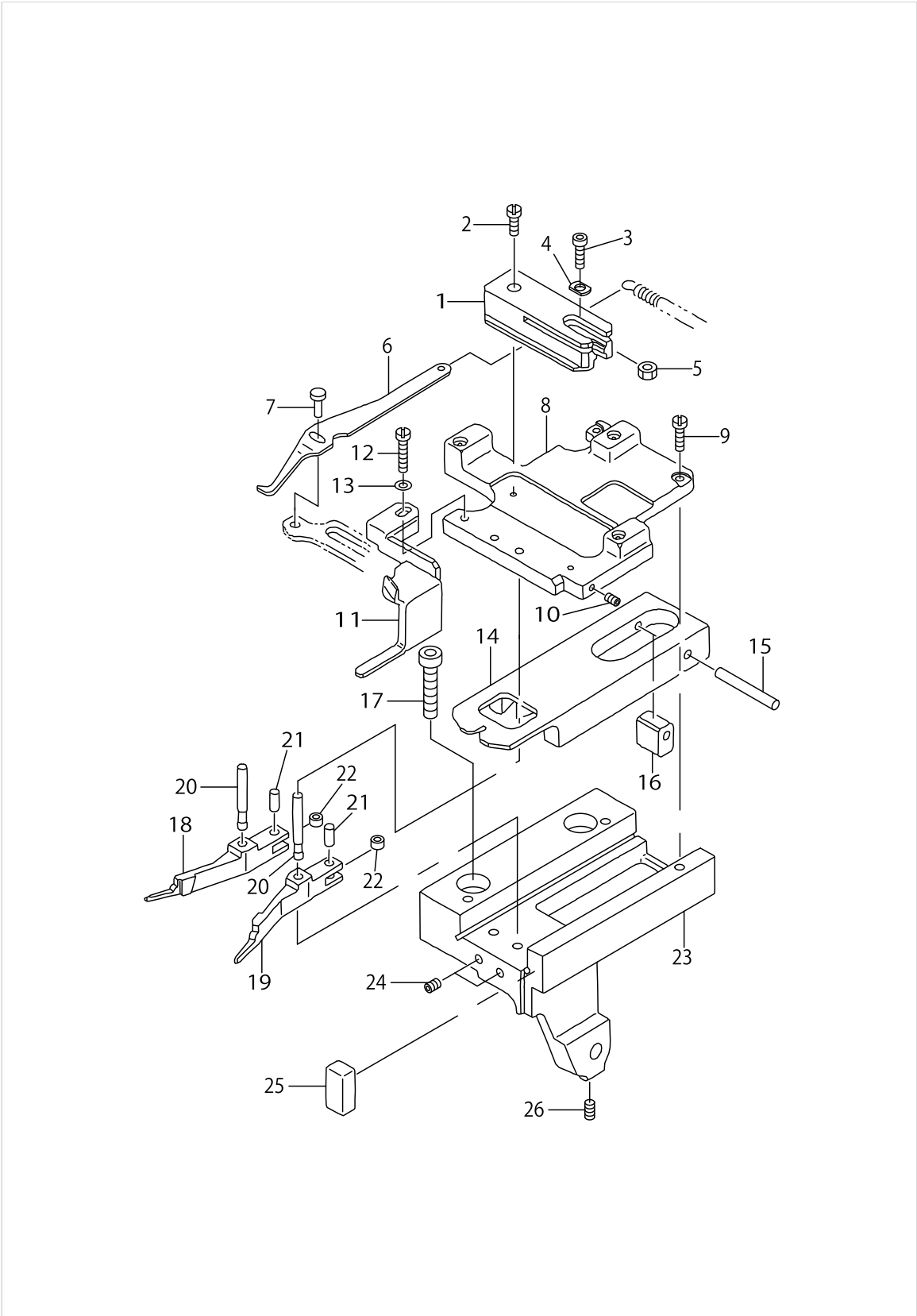
# LOWER LOOPER COMPONENTS



LOWER LOOPER COMPONENTS

No.	Supply Code	Parts No.	Replacement	Parts name	Remarks	Choice	Step	Level	Cons	Qty	Rep. QTY
47	D	25166406		ELLIPSE GEAR (BN)						1	
48		SM6044002TP		SCREW						3	
49		WS0410002KN		SPRING WASHER						3	
50		G1211870000		UPPER SHAFT MID- DLE METAL BEARI						1	
51		25160508		SHAFTHOLDERBASE						1	
52		25160409		SHAFTHOLDERCASE						1	
53		SM6044002TP		SCREW						3	
54		WS0410002KN		SPRING WASHER						3	
55		SB112000200		BEARING						1	
56	D	25160607		BEARING PRESSER(A)						1	
57		SM8040502TP		SCREW M4X0.7 L=5						2	
58		25160706		BEARING PRESSER(B)						1	
59		SM8040502TP		SCREW M4X0.7 L=5						2	
60		SM6062002TP		SCREW M6 L=20						4	
61		WS0610002KN		SPRING WASHER 6.1X12.2X1.5						4	

HOOK & NEEDLE GRASP COMPONENTS

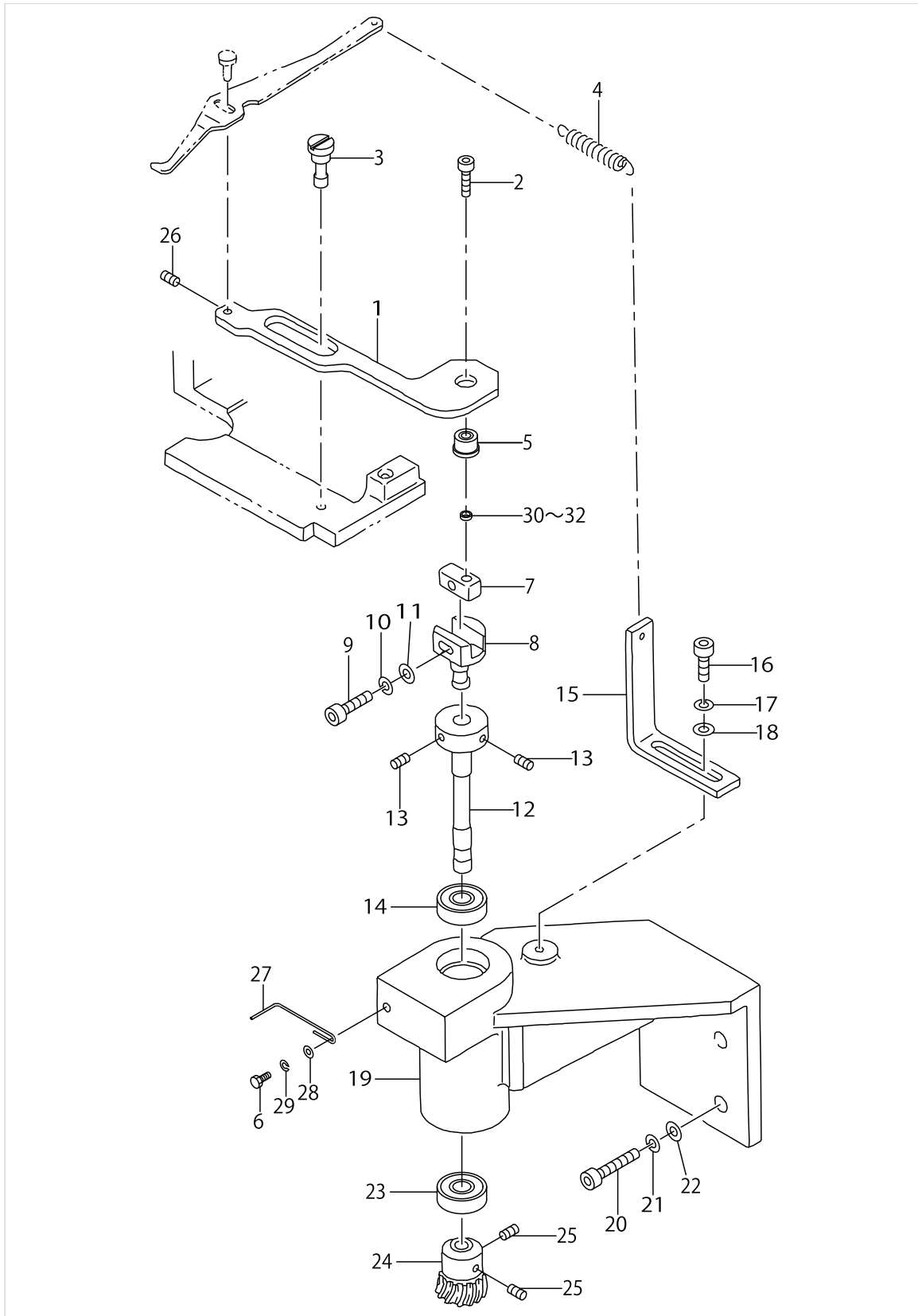


HOOK & NEEDLE GRASP COMPONENTS

No.	Supply Code	Parts No.	Replacement	Parts name	Remarks	Choice	Step	Level	Cons	Qty	Rep. QTY
1		16642407		GUIDE PLATE						1	
2		SS6121010SP		SCREW 3/16-28 L=10						1	
3		SM6040602TP		SCREW M4 L=6						1	
4		16642506		GUIDE WASHER						1	
5		NM6040001SC		NUT M4						1	
6	D	16796104		HOOK FINGER						1	
7		16642704		PIN						1	
8		16642217		BLOCK COVER						1	
9	R	SS7111410SP	SS7111410TP	SCREW11/64-40L=14						2	1.00
10		SM8040802TP		SCREW M4X8						1	
11	D	25222803		THREAD GUIDE						1	
12	R	SS7111410SP	SS7111410TP	SCREW11/64-40L=14						1	1.00
13		WP0531001SC		WASHER						1	
14		16641029		SLIDE BLOCK						1	
15	D	16641102		BLOCK PIN						1	
16	D	25221904		SWITCH-TYPE SLIDE BLOCK						1	
17		SM6082002TN		SCREW M8 L=20						2	
18		25250101		PAWL,A						1	
19		25250200		PAWL,B						1	
20	D	16640500		PIN						2	
21		16640807		ROLLER PIN						2	
22		16640914		ROLLER						2	
23		25244005		SLIDE CASE						1	
24		SM8040502TP		SCREW M4X0.7 L=5						2	
25		25244807		RUBBER						1	
26		SM8050602TP		SCREW M5 L=6						1	



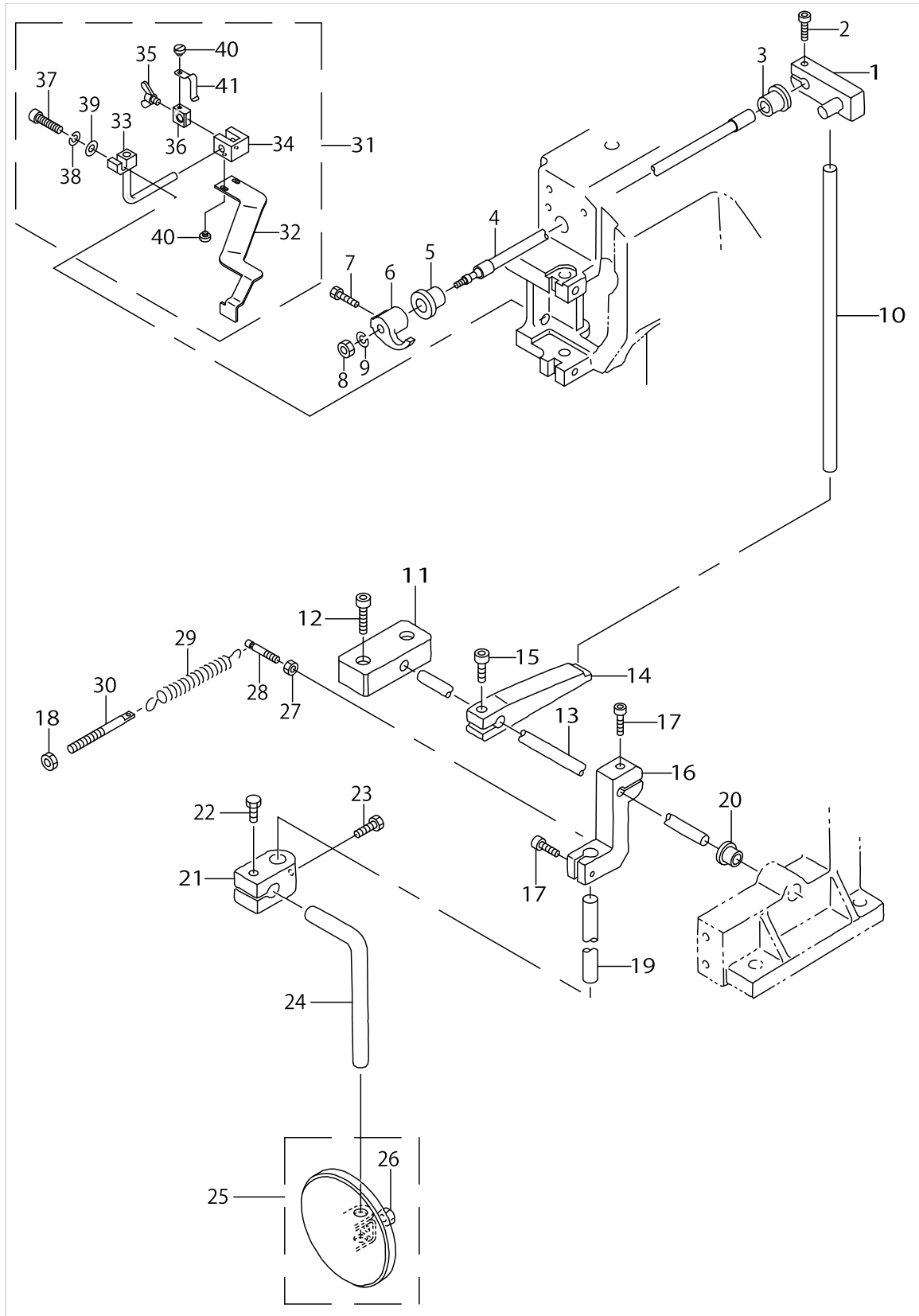
# HOOK COMPONENTS



HOOK COMPONENTS

No.	Supply Code	Parts No.	Replacement	Parts name	Remarks	Choice	Step	Level	Cons	Qty	Rep. QTY
1	D	16642811		LEVER						1	
2		SM6051002TP		SCREW M5X0.8 L=10						1	
3		16643009		ECCENTRIC PIN						1	
4		16643504		SPRING						1	
5		SB105000300		BALL BEARING						1	
6		SM9041003SD		SCREW M4X0.7 L=10						1	
7	D	25222605		KEY						1	
8		25222506		HOLDER						1	
9		SM6041002TP		SCREW M4 L=10						1	
10		WS0410002KN		SPRING WASHER						1	
11		WP0430801SC		WASHER 4.3X9X0.8						1	
12		25222407		ROTATING SHAFT						1	
13		SM8040802TP		SCREW M4X8						2	
14		SB108000400		BUSHING						1	
15		16643603		SPRINGSUSPENSION						1	
16		SM6051202TP		SCREW M5X0.8 L=12						1	
17		WS0510002KN		SPRING WASHER						1	
18		WP0531001SC		WASHER						1	
19		16643405		BRACKET						1	
20		SM6062002TP		SCREW M6 L=20						1	
21		WS0610002KN		SPRING WASHER 6.1X12.2X1.5						1	
22		WP0641601SC		WASHER						1	
23		SB108000400		BUSHING						1	
24	D	16643306		GEAR 1						1	
25		SM8040502TP		SCREW M4X0.7 L=5						2	
26		SM8030502TP		SCREW M3 L=5						1	
27		25222308		THREAD PRESSER ROD						1	
28		WP0430801SC		WASHER 4.3X9X0.8						1	
29		WS0410002KN		SPRING WASHER						1	
30		25248303		COLLAR A	SELECTIVE PARTS					1	
31		25248402		COLLAR B	SELECTIVE PARTS					1	
32		25248501		COLLAR C	SELECTIVE PARTS					1	

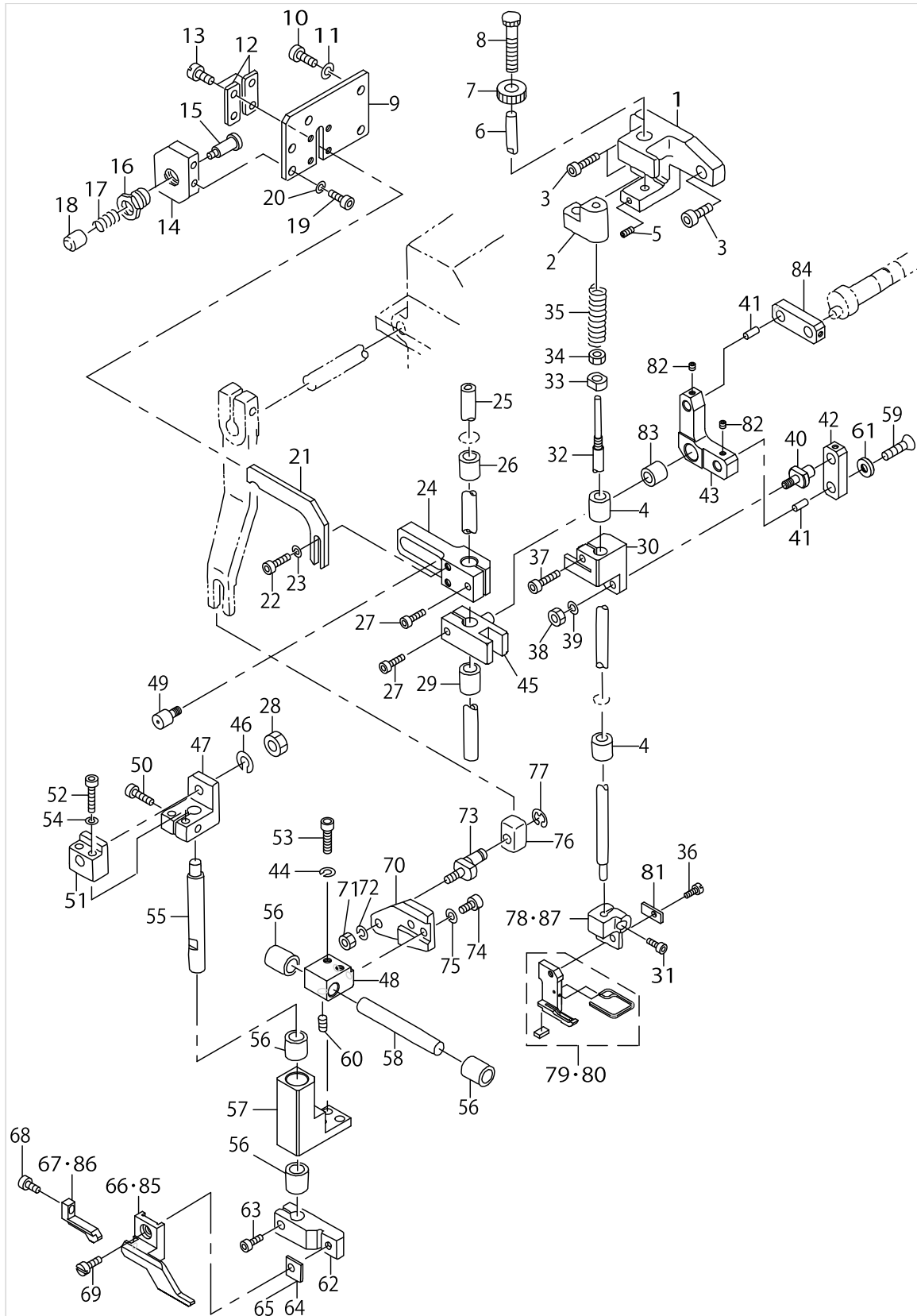
# KNEE PRESS LIFTER COMPONENTS



KNEE PRESS LIFTER COMPONENTS

No.	Supply Code	Parts No.	Replacement	Parts name	Remarks	Choice	Step	Level	Cons	Qty	Rep. QTY
1		16645707		LEVER						1	
2		SM6061802TP		SCREW M6 L=18						1	
3		16628000		BUSHING						1	
4		16645608		KNEE LIFTER SHAFT						1	
5	D	16628505		BUSHING						1	
6		16645806		PAWL						1	
7		SS9111010SP		SCREW 11/64-40 L=9.5						1	
8		NM6060003SC		NUT M6						1	
9		WS0610002KN		SPRING WASHER 6.1X12.2X1.5						1	
10		25224106		CONNECTING SHAFT						1	
11		25224304		BLOCK						1	
12		SM6063002TP		SCREW M6 L=30						2	
13		25224205		KNEE LIFTER CONNECTING SHAFT						1	
14		25224007		KNEE LIFTER LEVER						1	
15		SM6051802TP		SCREW M5 L=18						1	
16		16646515		BRACKET						1	
17		SM6062002TP		SCREW M6 L=20						2	
18		NM6050001SC		NUT M5						1	
19		16646721		L SHAFT						1	
20		16628901		BUSHING						1	
21	R	11024502	22932453	KNEE PRESS LOD BEARING BRACKET						1	1.00
22		SS9182010SN		SCREW 9/32-20 L=20						1	
23		SS9182010SN		SCREW 9/32-20 L=20						1	
24	R	B3419122000	22934608	KNEE LIFTER PLATE ROD						1	1.00
25	R	16775850	22934251	KNEE PRESS PLATE ASM.						1	1.00
26		SM6051002TP		SCREW M5X0.8 L=10				*		1	
27		NM6050003SC		NUT M5X0.8						1	
28		16646606		ANCHOR A						1	
29		16647000		SPRING						1	
30		25253600		SPRING RACK						1	
31		25242561		RULER ASM.	FOR FLS-- 350NB,351NA					1	
32		25242504		COBA RULER				*		1	
33		25222209		COBA RULER BRACKET				*		1	
34		16797409		COBA RULER GUIDE				*		1	
35		25253501		BOLT M4X5L				*		1	
36		16797615		COBA RULER GUIDE STOPPER				*		1	
37		SM6042002TP		SCREW M4X0.7 L=20				*		1	
38		WS0410002KN		SPRING WASHER				*		1	
39		WP0430801SC		WASHER 4.3X9X0.8				*		1	
40		SS6060440TP		SCREW 3/32-56 L=3.5				*		3	
41		16797706		SPRING PLATE				*		1	

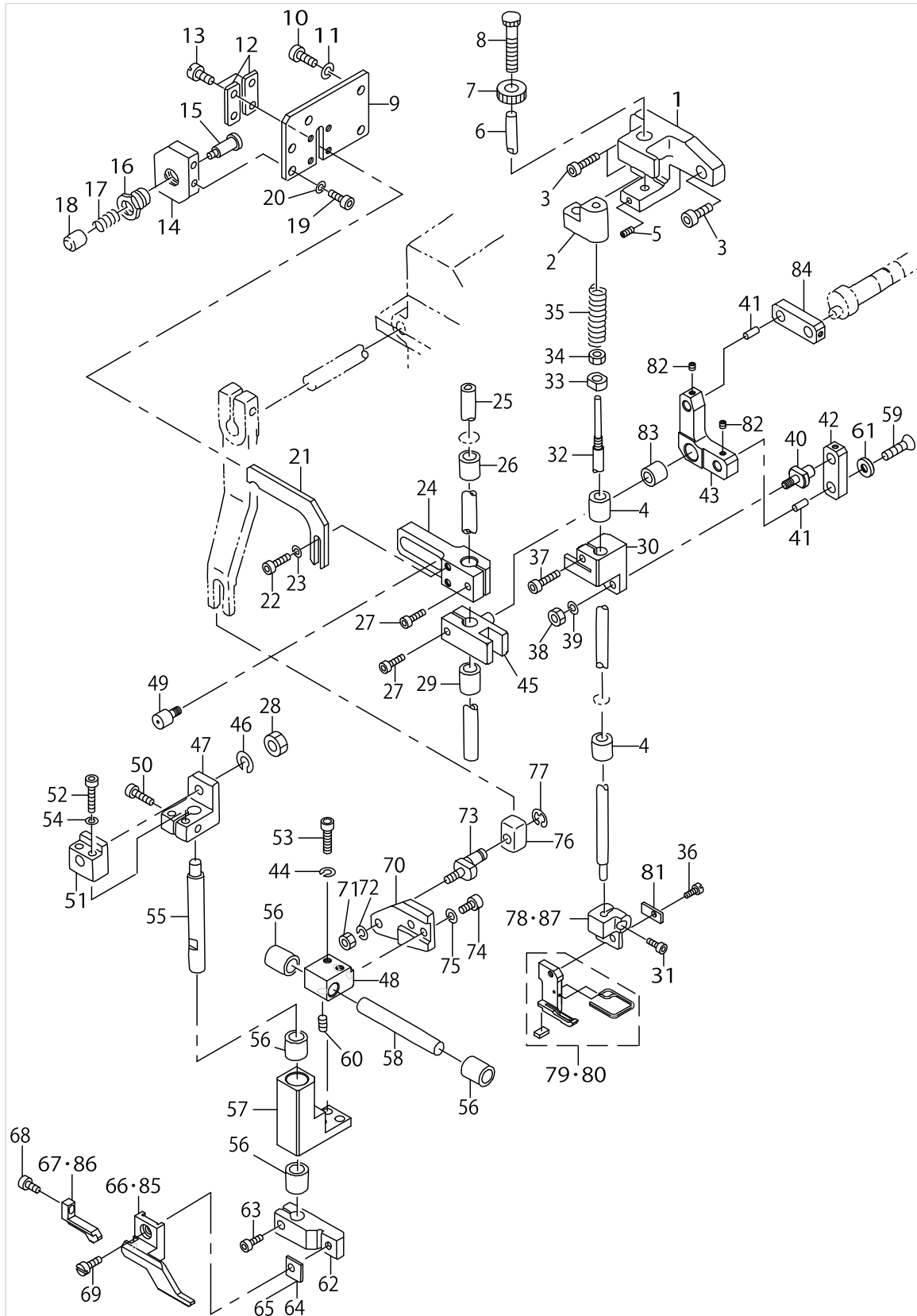
# PRESSER FOOT COMPONENTS



PRESSER FOOT COMPONENTS

No.	Supply Code	Parts No.	Replacement	Parts name	Remarks	Choice	Step	Level	Cons	Qty	Rep. QTY
1		16660706		BRACKET						1	
2		16663908		SPRING PRESSER BLOCK						1	
3		SM6041202TP		SCREW M4X0.7 L=12						3	
4		16628703		BUSHING						2	
5	R	SS8110510SP	SS8110520TP	SCREW 11/64-40 L=5						1	1.00
6	D	16680704		PIN						1	
7		16680605		NUT						1	
8		16680506		ADJUSTING SCREW						1	
9		25166109		SIDE PLATE						1	
10		SM6041002TP		SCREW M4 L=10						3	
11		WS0410002KN		SPRING WASHER						3	
12		25246505		GUIDE PLATE						2	
13		SS6090810SP		SCREW 9/64-40 L=7.5						4	
14		25227208		LOCK PIN METAL						1	
15		16663007		STOPPER PIN						1	
16		16662900		SPRING HOLDER						1	
17	D	16663106		SPRING						1	
18	D	16663205		CAP						1	
19		SM6041002TP		SCREW M4 L=10						2	
20		WS0410002KN		SPRING WASHER						2	
21		25246315		ROCKING PLATE						1	
22		SM6041002TP		SCREW M4 L=10						2	
23		WS0410002KN		SPRING WASHER						2	
24		25248600		ROCKING BLOCK						1	
25		25245606		VERTICAL SHAFT,1						1	
26		25253402		BUSHING						1	
27		SM6041502TP		SCREW M4X0.7 L=15						2	
28		NM6040003SC		NUT M4						1	
29		25253402		BUSHING						1	
30		25245317		BLOCK						1	
31		SM6041002TP		SCREW M4 L=10						1	
32		16663411		PRESSER SHAFT						1	
33		16663718		FIXING COLLAR						1	
34		25227604		NUT						1	
35		16663809		SPRING						1	
36		SS6080720SP		SCREW						1	
37		SM6041502TP		SCREW M4X0.7 L=15						1	
38		NM6040003SC		NUT M4						1	
39		WS0410002KN		SPRING WASHER						1	
40		25228511		LINK PIN,1						1	
41		25252503		PIN						2	
42	D	25162009		FEED CONNECTING LINK 20MM						2	
43	D	25229915		L LINK A						1	
44		WS0410002KN		SPRING WASHER						2	
45	D	25248709		ROCKING BLOCK						1	
46		WS0410002KN		SPRING WASHER						1	

# PRESSER FOOT COMPONENTS

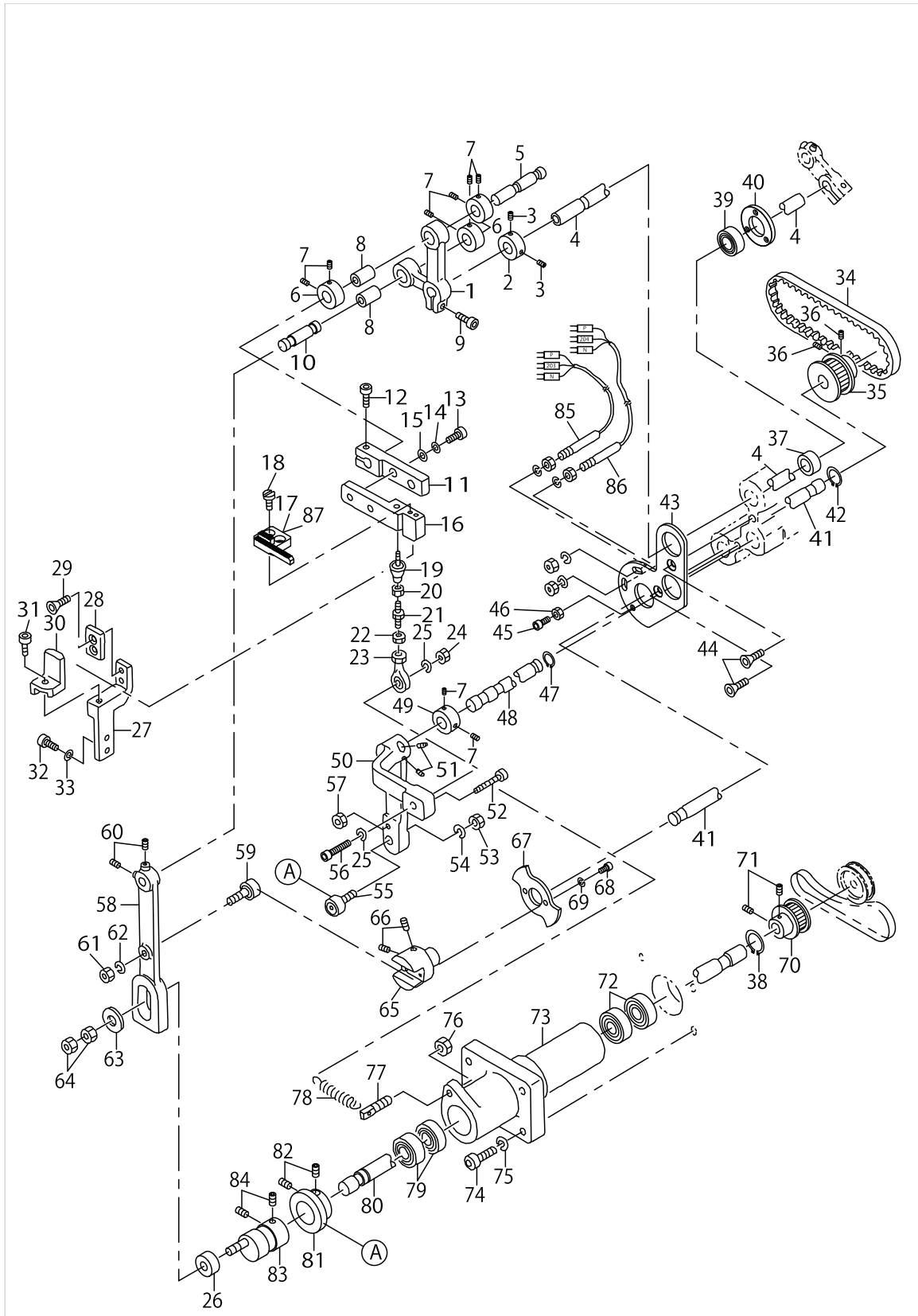


PRESSER FOOT COMPONENTS

No.	Supply Code	Parts No.	Replacement	Parts name	Remarks	Choice	Step	Level	Cons	Qty	Rep. QTY
47		25245903		HOLDER METAL,1						1	
48		25247107		CROSSFEED CASE						1	
49		25252701		CAM FOLLOWER						1	
50		SM6041502TP		SCREW M4X0.7 L=15						1	
51		25245705		HOLDER METAL						1	
52		SM6031502TP		SCREW M3 X 15						2	
53		SM6041502TP		SCREW M4X0.7 L=15						2	
54		WS0310002KN		SPRING WASHER M3						2	
55		25245812		VERTICAL SHAFT,2						1	
56		25253402		BUSHING						4	
57		25248907		FEED CASE						1	
58		25246901		SIDE SHAFT						1	
59		25150103		BOLT						1	
60		SM8040602TP		SCREW M4X0.7 L=6						1	
61		25169905		DISH WASHER						1	
62		25246604		UPPER FEED FITTING LEVER						1	
63		SM6051202TP		SCREW M5X0.8 L=12						1	
64	D	25246703		UPPER FEED FITTING SHIM,1	SELECTIVE PARTS					1	
65	D	25246802		UPPER FEED FITTING SHIM,2	SELECTIVE PARTS					1	
66		25165507		UPPERFEEDDOG(ST)	FOR FLS-350NA,NB					1	
67		25165705		INTERMEDIATE FEED DOG (ST)	FOR FLS-350NA,NB					1	
68		SS6081210SP		SCREW 1/8-44 L=12						1	
69	R	SS7111120SP	SS7111120TP	SCREW 11/64-40 L=10.5						1	1.00
70		25247206		PLATE						1	
71		NM6040003SC		NUT M4						1	
72		WS0410002KN		SPRING WASHER						1	
73		25247305		SLIDE BLOCK PIN						1	
74		SM6041002TP		SCREW M4 L=10						2	
75		WS0410002KN		SPRING WASHER						2	
76	D	25247404		SLIDE BLOCK PIN						1	
77		RC0470611KP		RETAINING RING 4.7						1	
78	R	16669418	16669426	PRESSER FOOT HOLDER	FOR FLS-350NA,NB					1	1.00
79	D	25162355		PRESSER ASM.	FOR FLS-350NA,NB					1	
80	D	25242959		STANDARDPRESSER	FOR FLS-351NA					1	
81		16670101		WASHER PLATE						1	
82		SM8030302TP		SCREW M3X0.5 L=3						2	
83	D	25253105		BEARING						1	
84	D	25161902		FEED CONNECTING LINK 18MM						1	
85	D	25227901		UPPER FEED DOG ASM.	FOR FLS-351NA					1	
86		25228008		INSIDE FEED DOG ASM.	FOR FLS-351NA					1	
87	D	16669426		PRESSER FOOT HOLDER	FOR FLS-351NA					1	



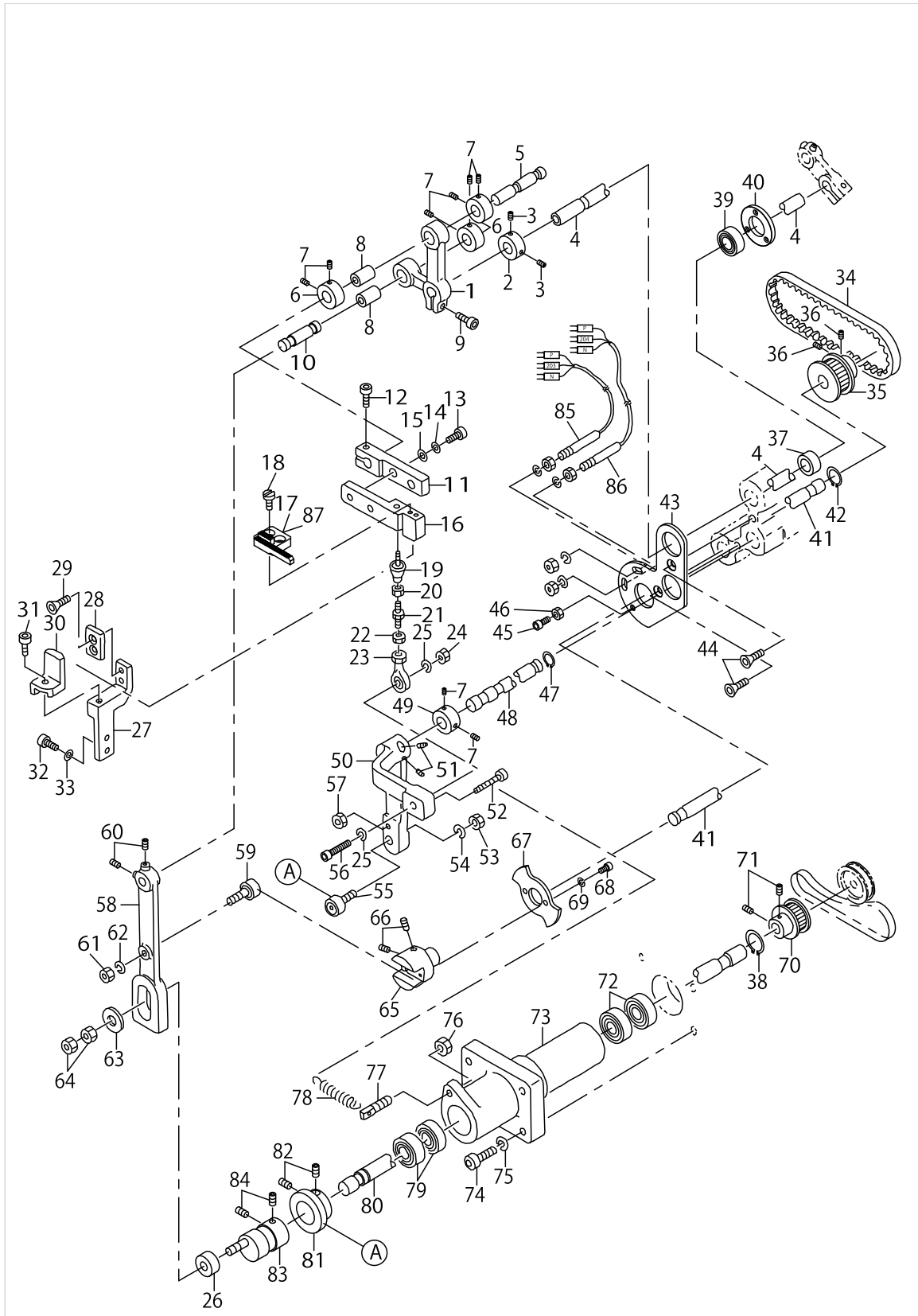
LOWER FEED COMPONENTS



LOWER FEED COMPONENTS

No.	Supply Code	Parts No.	Replacement	Parts name	Remarks	Choice	Step	Level	Cons	Qty	Rep. QTY
1		25230509		LOWER FEED ARM,2						1	
2	D	16711608		COLLAR						1	
3		SM8040502TP		SCREW M4X0.7 L=5						2	
4		25233115		CONNECTING SHAFT,LOWER						1	
5		25231002		ARM PIN,1						1	
6		16711509		COLLAR						3	
7		SM8040502TP		SCREW M4X0.7 L=5						8	
8		25253006		NEEDLE BEARING						2	
9		SM6061202TP		SCREW M6 L=12						1	
10		25231101		ARM PIN,2						1	
11		25230806		LOWERFEEDLEVER,2						1	
12		SM6051552TP		SCREW M5 L=15						1	
13		SM6051552TP		SCREW M5 L=15						2	
14		WS0510002KN		SPRING WASHER						2	
15		WP0531001SC		WASHER						2	
16		25230608		LOWERFEEDLEVER,A						1	
17	D	25165606		LOWER FEED DOG (ST)	FOR FLS-350NA,NB					1	
18		SS6090810SP		SCREW 9/64-40 L= 7.5						2	
19	D	16713703		LINK BALL						1	
20		NM6050003SC		NUT M5X0.8						1	
21		25231200		SHAFT						1	
22		NM6050550SD		NUT M5X0.8						1	
23	D	G5181340000		JOINT B						1	
24		NM6050003SC		NUT M5X0.8						1	
25		WS0510002KN		SPRING WASHER						2	
26	D	25252602		ROLLER FOLLOWER						1	
27		25231408		LOOSENESS PREVENTION,1						1	
28	D	25232505		LINER						1	
29		25152109		SCREW						2	
30	D	25231507		LOOSENESS PREVENTION,2						1	
31		SM6041002TP		SCREW M4 L=10						1	
32		SM6041802TP		SCREW M4 L=18						2	
33		WS0410002KN		SPRING WASHER						2	
34	D	25253709		TIMING BELT						1	
35		25223405		TIMING PULLEY						1	
36		SM8050602TP		SCREW M5 L=6						2	
37	D	16711608		COLLAR						1	
38		RC1200001KP		C-SHAPED SNAP RING						1	
39		SB110000400		BALL BEARING						1	
40		25215609		BEARING PRESSER						1	
41		25231705		FULCRUM SHAFT						1	
42		RC0931011KP		RETAINING RING						1	
43		25161605		BEARING PRESSER PLATE						1	
44		25150509		SCREW						2	
45		SM6051202TP		SCREW M5X0.8 L=12						1	
46		NM6050001SC		NUT M5						1	

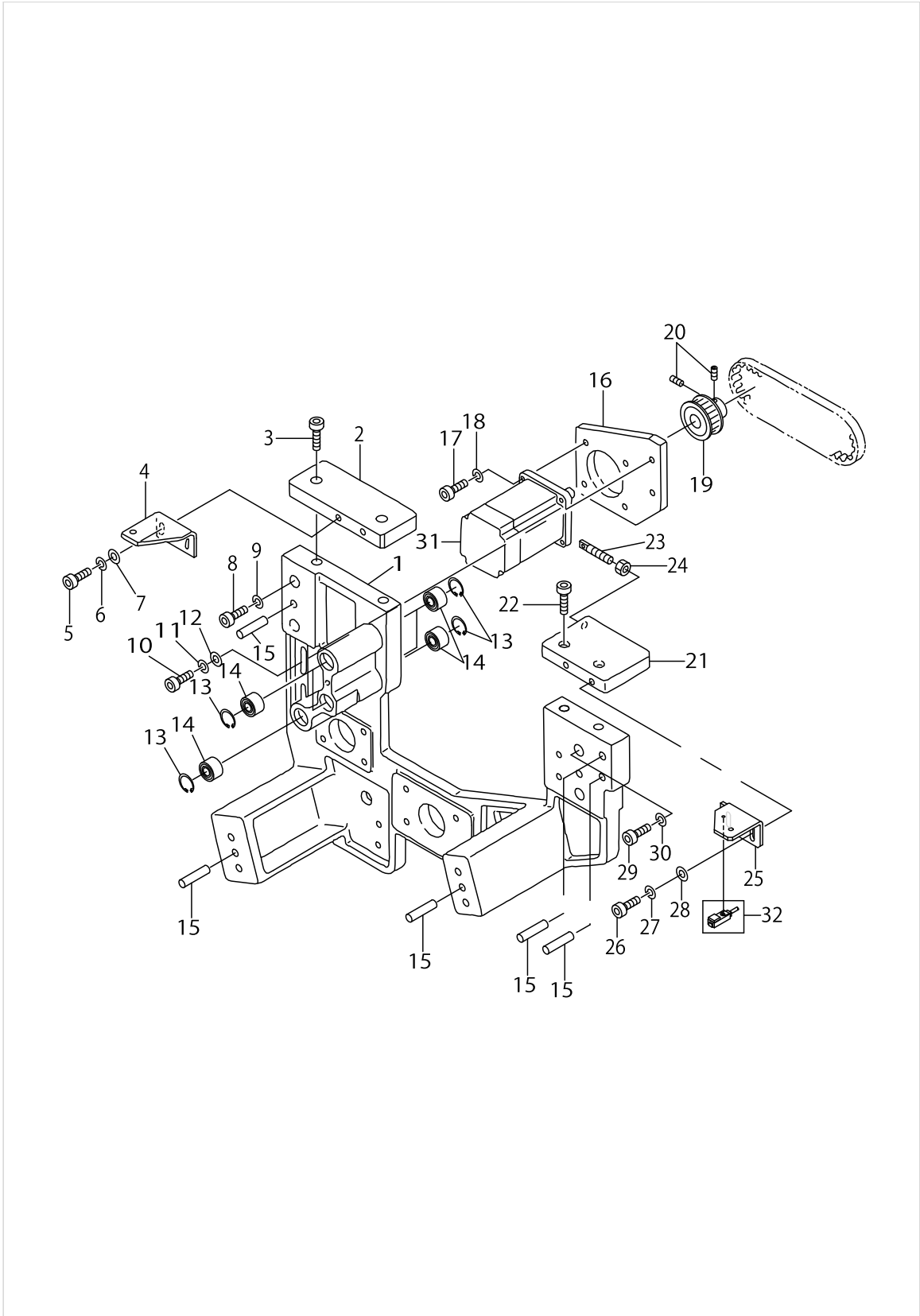
LOWER FEED COMPONENTS



LOWER FEED COMPONENTS

No.	Supply Code	Parts No.	Replacement	Parts name	Remarks	Choice	Step	Level	Cons	Qty	Rep. QTY
47		RC0931011KP		RETAINING RING						1	
48		25230905		ARM SHAFT,1						1	
49	D	16711608		COLLAR						1	
50		25230400		LOWER FEED ARM,1						1	
51		SM8050602TP		SCREW M5 L=6						2	
52		SM6062002TP		SCREW M6 L=20						1	
53		NM6060003SC		NUT M6						1	
54		WS0610002KN		SPRING WASHER 6.1X12.2X1.5						1	
55		16713307		CAM FOLLOWER						1	
56		SM6052502TP		SCREW M5X0.8 L=25						1	
57		NM6060003SC		NUT M6						1	
58		25231804		ROCKING LEVER						1	
59		25252909		CAM FOLLOWER						1	
60		SM8050602TP		SCREW M5 L=6						2	
61		NM6060003SC		NUT M6						1	
62		WS0610002KN		SPRING WASHER 6.1X12.2X1.5						1	
63		25232000		WASHER						1	
64		NM6060003SC		NUT M6						2	
65		25232406		ROTATING BOSS						1	
66		SM8051002TP		SCREW M5 L=10						2	
67		25160912		SENSOR PLATE						1	
68		SM6041002TP		SCREW M4 L=10						2	
69		WS0410002KN		SPRING WASHER						2	
70		25216318		TIMING PULLEY,1						1	
71		SM8050602TP		SCREW M5 L=6						2	
72		SB112000200		BEARING						2	
73		25232208		BEARING BASE						1	
74		SM6062502TP		SCREW M6 L=25						4	
75		WS0610002KN		SPRING WASHER 6.1X12.2X1.5						4	
76		NM6060003SC		NUT M6						1	
77		25252800		POST						1	
78	D	16666406		SPRING						1	
79		SB112000200		BEARING						2	
80	D	25232109		LOWER FEED PULLEY SHAFT						1	
81		25232315		LOWER FEED VERTICAL CAM						1	
82		SM8050602TP		SCREW M5 L=6						2	
83		25231903		ECCENTRIC BOSS						1	
84		SM8050602TP		SCREW M5 L=6						2	
85		25210659		NS-3 CABLE ASM.						1	
86		25210758		NS-4 CABLE ASM.						1	
87		25231309		LOWER FEED DOG ASM.	FOR FLS-351NA					1	

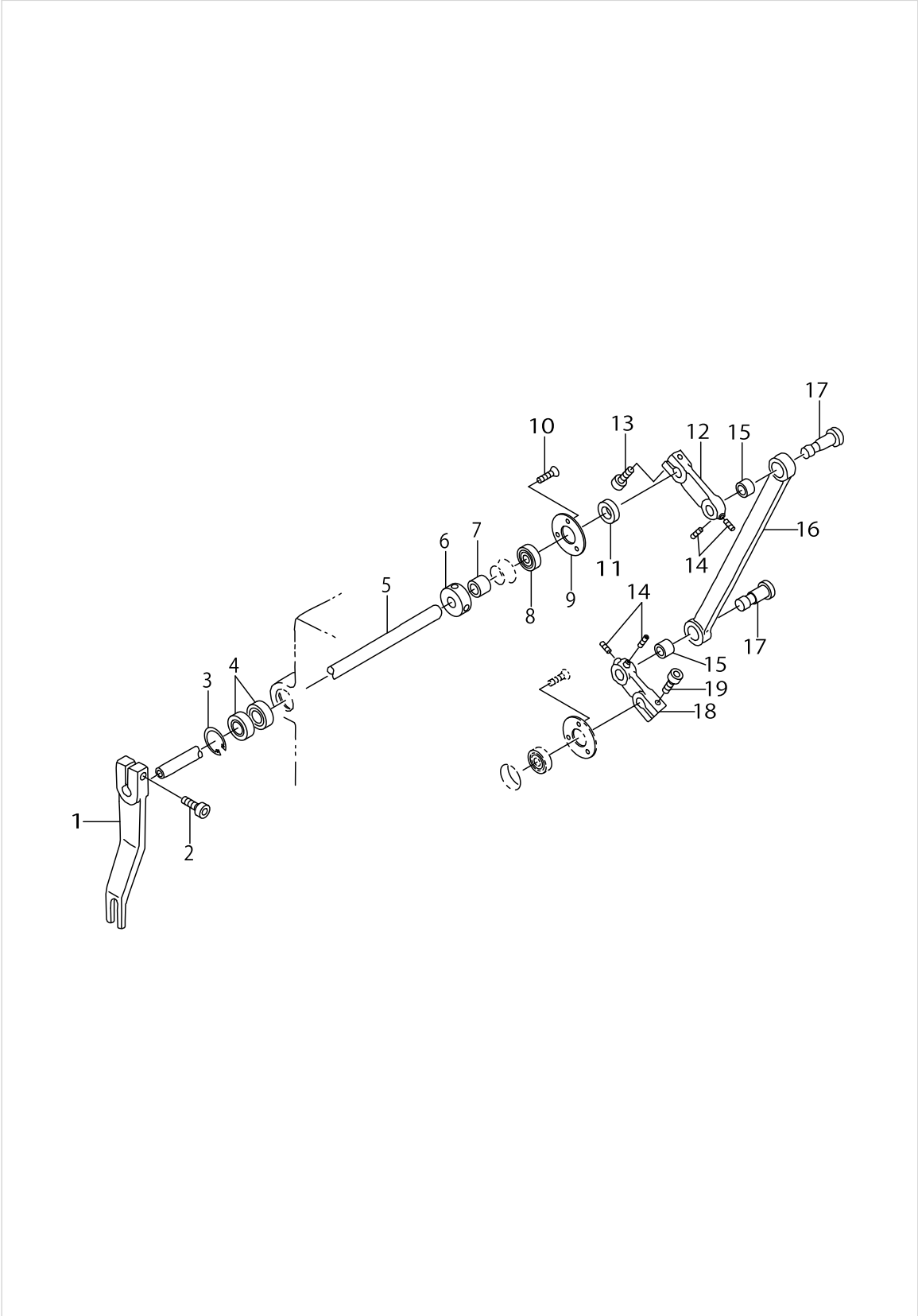
INTERMEDIATE PLATE & FEED CHANGE MOTOR COMPONENTS



INTERMEDIATE PLATE & FEED CHANGE MOTOR COMPONENTS

No.	Supply Code	Parts No.	Replacement	Parts name	Remarks	Choice	Step	Level	Cons	Qty	Rep. QTY
1		25222902		INTERMEDIATE PLATE						1	
2		25242306		FITTING BASIS,L						1	
3		SM6051002TP		SCREW M5X0.8 L=10						2	
4	D	25234501		COVER HOLDING,L						1	
5		SM6040802TP		SCREW M4X0.7 L=8						2	
6		WS0410002KN		SPRING WASHER						2	
7		WP0430801SC		WASHER 4.3X9X0.8						2	
8		SM6104002TP		SCREW						2	
9		WS1020002KN		SPRING WASHER M10						2	
10		SM6062002TP		SCREW M6 L=20						2	
11		WS0610002KN		SPRING WASHER 6.1X12.2X1.5						2	
12		WP0641601SC		WASHER						2	
13		RC2600002KP		C-SHAPED SNAP RING						6	
14		SB110000400		BALL BEARING						6	
15		16712408		PIN						4	
16		25223009		MOTOR PLATE						1	
17		SM6062002TP		SCREW M6 L=20						4	
18		WS0610002KN		SPRING WASHER 6.1X12.2X1.5						4	
19		25242405		TIMING PULLEY						1	
20		SM8050602TP		SCREW M5 L=6						2	
21		25242207		FITTING BASE,R						1	
22		SM6051202TP		SCREW M5X0.8 L=12						2	
23		25253600		SPRING RACK						1	
24		NM6050001SC		NUT M5						1	
25		25234402		COVER HOLDING,R						1	
26		SM6040802TP		SCREW M4X0.7 L=8						2	
27		WS0410002KN		SPRING WASHER						2	
28		WP0430801SC		WASHER 4.3X9X0.8						2	
29		SM6104002TP		SCREW						2	
30		WS1020002KN		SPRING WASHER M10						2	
31		25208851		PULSE MOTOR ASM.						1	
32	D	25397456		STARTING PREVENT SENSOR ASM.	FOR JE					1	

FEED CONNECTING COMPONENTS

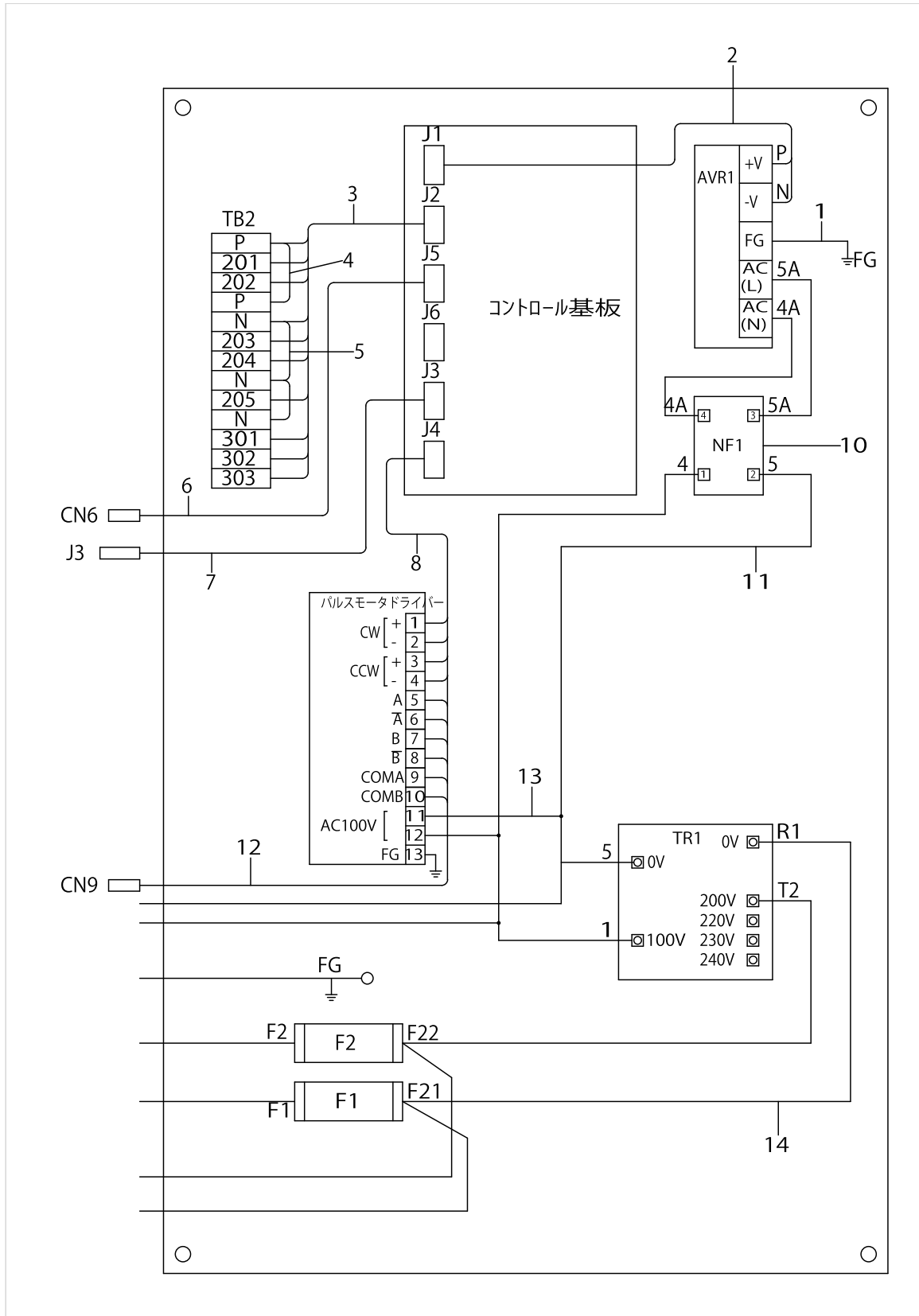


FEED CONNECTING COMPONENTS

No.	Supply Code	Parts No.	Replacement	Parts name	Remarks	Choice	Step	Level	Cons	Qty	Rep. QTY
1		25247503		UPPER FEED LEVER						1	
2		SM6051552TP		SCREW M5 L=15						1	
3		RC0220001KP		C-TYPE SNAP RING						1	
4		16710303		BEARING						2	
5		25233016		CONNECTING SHAFT						1	
6	D	16711608		COLLAR						1	
7		25233206		CONNECTING SHAFT COLLAR,1						1	
8		SB110000400		BALL BEARING						1	
9		25215609		BEARING PRESSER						1	
10		25150103		BOLT						3	
11		25233305		CONNECTING SHAFT COLLAR,2						1	
12		25232703		COMMUNICATION LEVER,UPPER						1	
13		SM6051552TP		SCREW M5 L=15						1	
14		SM8040502TP		SCREW M4X0.7 L=5						4	
15		25252404		BUSHING						2	
16		25232604		COMMUNICATION LINK						1	
17		25232901		COMMUNICATION LINK PIN						2	
18		25232802		COMMUNICATION LEVER,LOWER						1	
19		SM6051552TP		SCREW M5 L=15						1	



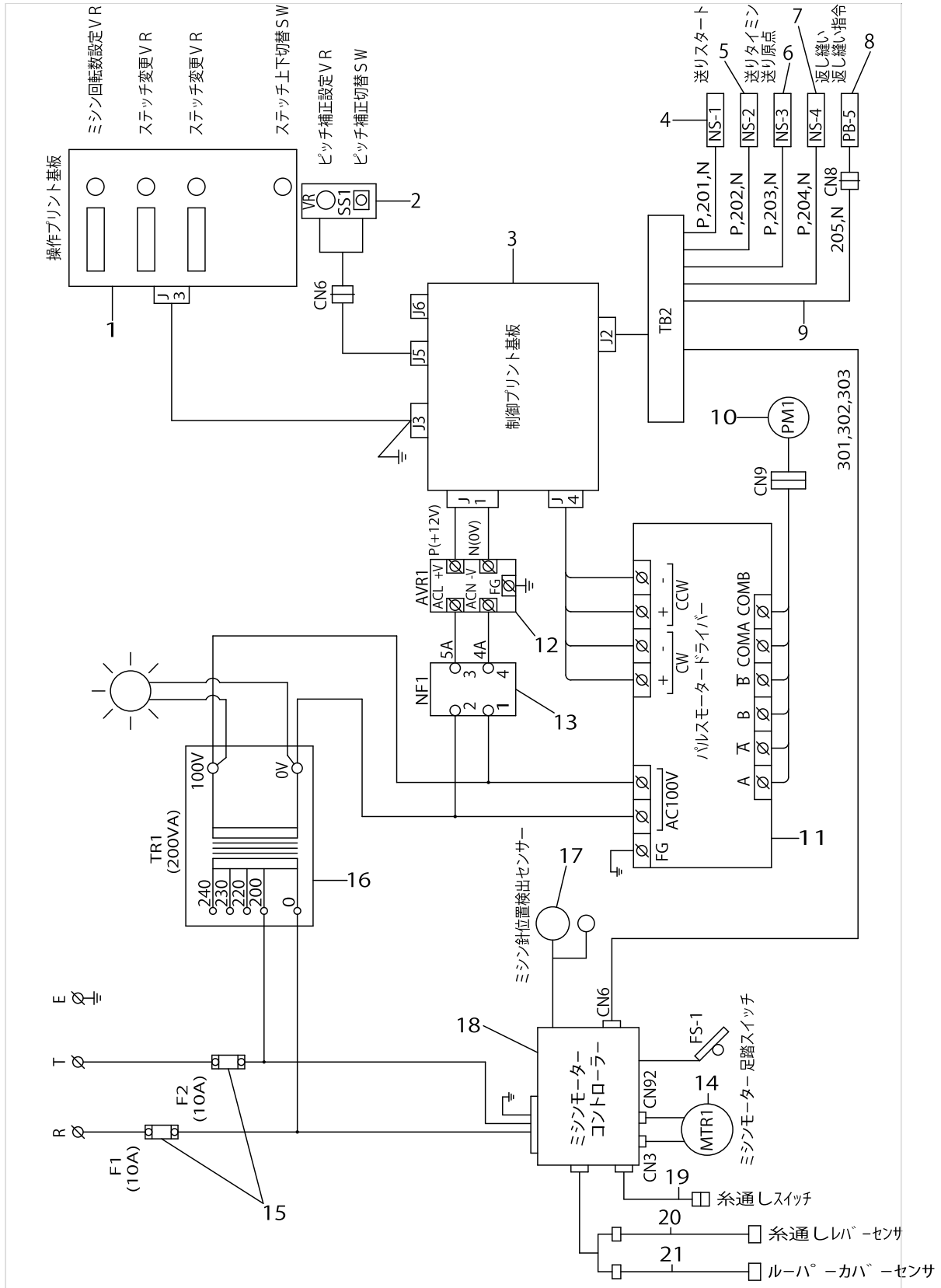
TRANSMISSION COMPONENTS (1)



TRANSMISSION COMPONENTS (1)

No.	Supply Code	Parts No.	Replacement	Parts name	Remarks	Choice	Step	Level	Cons	Qty	Rep. QTY
1		25208158		FG CABLE ASM.,3						1	
2		25210352		CONTROL BASE POWER SOURCE ASM.						1	
3		25208455		INPUT CABLE ASM.						1	
4		25208554		TB-2 CABLE ASM.						1	
5		16552952		TB-2 PASSAGE CABLE ASM. 2						1	
6		25208653		PITCH TRIMMING CABLE ASM.						1	
7		16554156		OPERATION CABLE ASM.						1	
8		25208257		PULSE OUTPUT CABLE ASM.						1	
9		25206558		CABLE ASM.,2						1	
10		25207259		NOISE FILTER ASM.						1	
11		25206756		CABLE ASM.,4						1	
12		25208356		PULSE MOTOR CABLE ASM.						1	
13		25207457		POWER SOURCE ASM.,2						1	
14		25209651		TRANSFORMER CABLE ASM.,4						1	

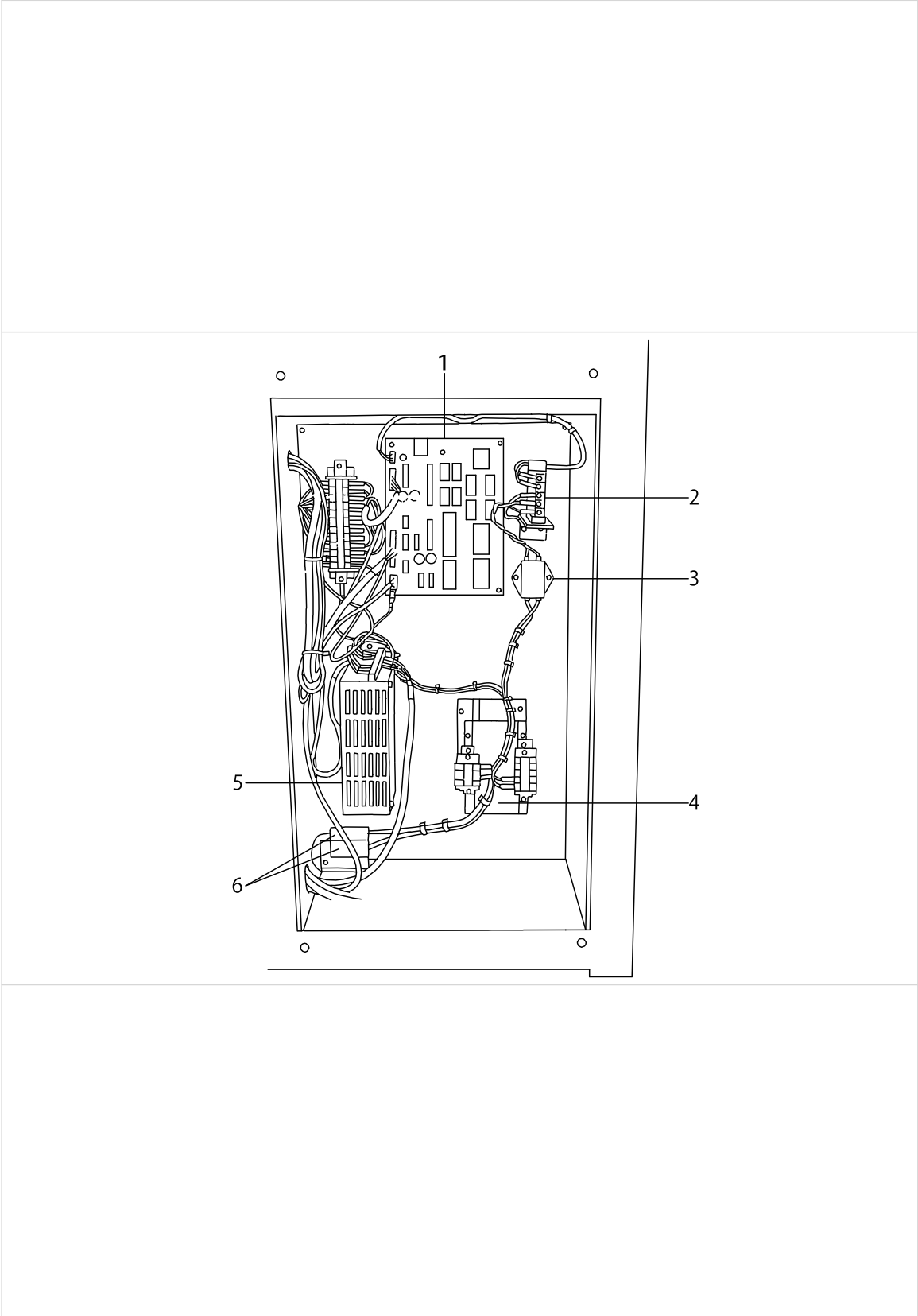
TRANSMISSION COMPONENTS (2)



TRANSMISSION COMPONENTS (2)

No.	Supply Code	Parts No.	Replacement	Parts name	Remarks	Choice	Step	Level	Cons	Qty	Rep. QTY
1	D	16554552		PANEL CIRCUIT BOARD ASM.						1	
2		25208950		PITCH TRIMMING BOX ASM.						1	
3		16554461		CONTROL TRIMMING BOX ASM.						1	
4		25210451		NS-1 CABLE ASM.						1	
5		25210550		NS-2 CABLE ASM.						1	
6		25210659		NS-3 CABLE ASM.						1	
7		25210758		NS-4 CABLE ASM.						1	
8		25209255		PB-5 CABLE ASM.,2						1	
9		25209156		PB-5 CABLE ASM.,1						1	
10		25208851		PULSE MOTOR ASM.						1	
11		25212507		PULSE MOTOR DRIVER						1	
12		25212705		SWITCHING POWER SUPPLY						1	
13		25207259		NOISE FILTER ASM.						1	
14	D	MSCM6000AA0		MOTOR COMPLETED 200-240V						1	
15	D	HF001501000		FUSE						1	
16		25212606		TRANSFORMER						1	
17	D	MSCM8000A0		SYNCHRONIZERASM.						1	
18		MSCM2012DAZ		SC-380(230V)FLS						1	
19	D	25162751		SWITCH ASM.	OPTIONAL PART					1	
20		25212259		NS-6 CABLE ASM.						1	
21	D	25212150		NS-5 CABLE ASM.						1	

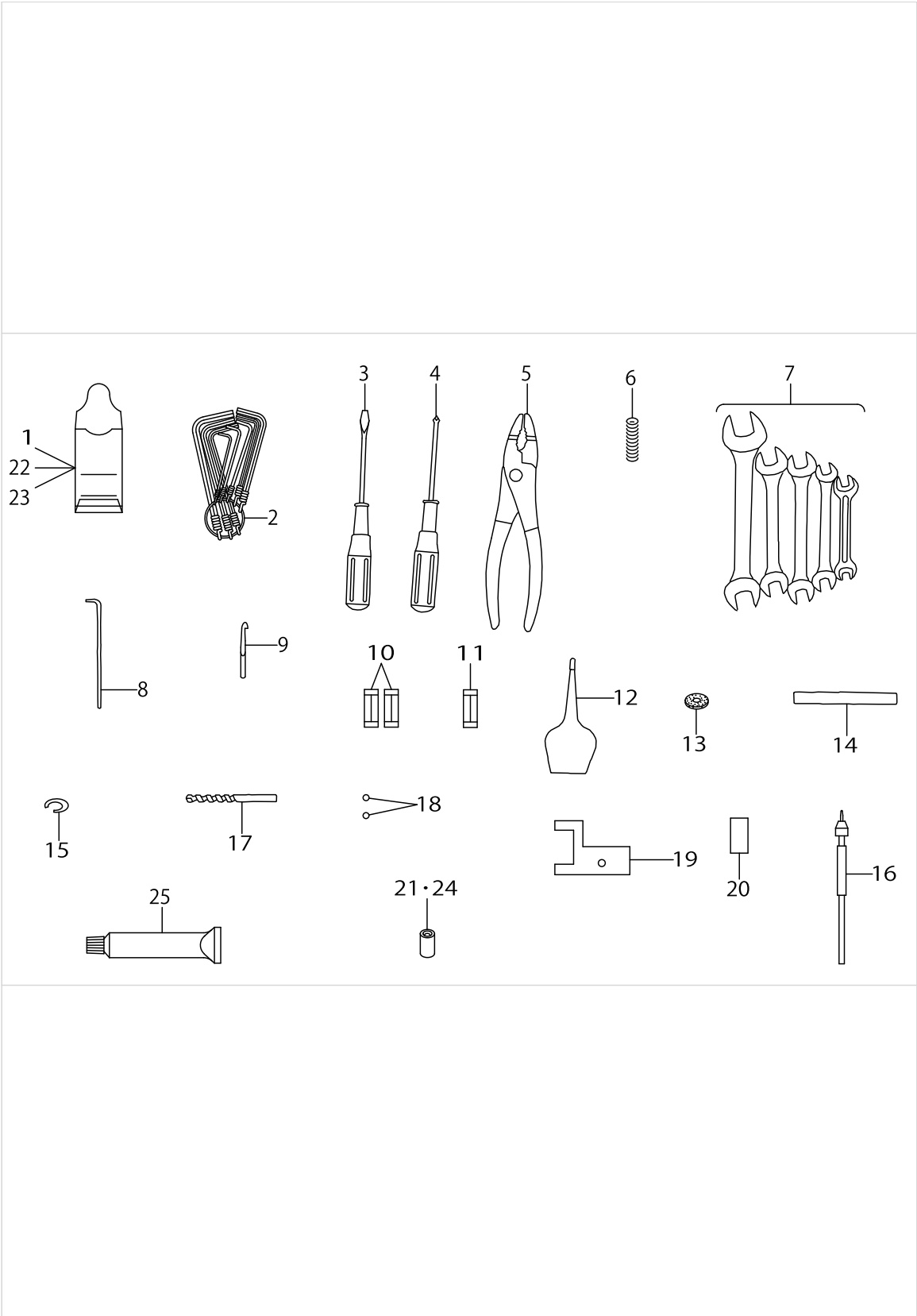
TRANSMISSION COMPONENTS (3)



TRANSMISSION COMPONENTS (3)

No.	Supply Code	Parts No.	Replacement	Parts name	Remarks	Choice	Step	Level	Cons	Qty	Rep. QTY
1		16554461		CONTROL CIRCUIT BOARD ASM.						1	
2		25212705		SWITCHING POWER SUPPLY						1	
3		25207259		NOISE FILTER ASM.						1	
4		25212606		TRANSFORMER						1	
5		25212507		PULSE MOTOR DRIVER						1	
6	D	HF001501000		FUSE						2	

ACCESSORIES COMPONENTS



ACCESSORIES COMPONENTS

No.	Supply Code	Parts No.	Replacement	Parts name	Remarks	Choice	Step	Level	Cons	Qty	Rep. QTY
1	R	MDPN10A000T	MDPN10A0000	NEEDLE ASM. DPN-1032B38	FOR FLS-350NA					1	1.00
2		G91011160A0		L-SHAPED WRENCH ASM.						1	
3	R	B9110012000	22933105	SCREW DRIVER, MIDDLE						1	1.00
4	D	G9119116000		DRIVER +						1	
5	D	G5701340000		PLIER						1	
6		25217704		STOP SPRING						4	
7		G91201160A0		SPANNER ASM.						1	
8		B9101490000		DRIVER						1	
9	D	16633406		THREADING NEEDLE						4	
10	D	HF001501000		FUSE						2	
11	D	HF0012030P0		FUSE 3A 125V REF NO.112						1	
12		A9102062BA0		OILER WITH OIL						1	
13		16661704		RUBBER WASHER						4	
14		16681009		PIN						1	
15		G5513340000		RING						4	
16	D	G5704340000		THREADING HOLDER						1	
17		17779802		DRILL (D=0.3)						1	
18	D	G5542340000		STEEL BALL						2	
19		25381906		GAUGE						1	
20		25244807		RUBBER						1	
21		25250010		NEEDLE HOLDER PIN	FOR FLS-350NA,NB					2	
22		MDPN10B000T		NEEDLE DPN-1032B49	FOR FLS-350NB					1	
23		MDPN10C000T		NEEDLE DPN-1032B32	FOR FLS-351NA					1	
24	D	25234105		PIN (FOR #32)	FOR FLS-351NA					2	
25		13525506		GREASE TUBE						1	





## HOW TO MAKE USE OF THIS PARTS LIST

### 1.Explanation of codes

1)"\*"mark.....means this part is changed from the previous parts book.

As to the details of the change, refer to the "List for information of change".

2)"#01".....refer to "Note" explanation at bottom of page.

### 2.Codes on the "Qty" column

- Each numeral indicates the number of parts required.
- "0.1" and "2.5" indicate the length (in meters) of the respective parts.

3.Parentheses mean that the corresponding part is a subpart that constructs an assembly part.

4.Dotted lines on the Figures indicate assembly parts.

### 1."注記"欄の記号説明

1) "\*"印.....前回のパーツブックに比較して今回変更された部品を意味します。

変更内容は、"変更情報リスト"を参照してください。

2) "#01".....ページ下の"注記"の説明を参照してください。

2.数量欄の数字は、個数を表し、0.1、2.5等の数値は、長さ（単位メートル）を表します。

3.数量欄の（ ）は、組部品を構成している子部品であることを意味します。

4.イラストページの-----枠は、組構成であることを意味します。

# NUMERICAL INDEX OF PARTS

PART NO	PAGE	REF NO.	PART NO	PAGE	REF NO.	PART NO	PAGE	REF NO.
11024502	50	21	16629800	22	58	16640914	46	22
11155801	2	6	16630204	22	56	16641029	46	14
11156007	2	5	16630303	20	36	16641102	46	15
11158805	16	69	16630709	20	37	16641508	38	35
11158904	16	70	16630808	20	39	16642217	46	8
11159001	16	77	16630907	20	44	16642407	46	1
11521903	8	65	16631004	22	48	16642506	46	4
13525506	70	25	16631111	22	75	16642704	46	7
13764352	8	71	16631202	22	79	16642811	48	1
16552952	64	5	16631301	22	80	16643009	48	3
16554156	64	7	16631400	22	73	16643306	48	24
16554461	66	3	16631509	22	72	16643405	48	19
16554461	68	1	16631608	22	74	16643504	48	4
16554552	6	28	16631707	22	69	16643603	48	15
16554552	66	1	16631814	22	68	16644601	16	81
16590200	6	18	16631939	22	81	16644700	16	55
16624603	14	12	16632010	22	70	16644809	16	54
16624900	14	17	16632119	22	85	16644908	16	47
16625006	14	24	16632200	22	82	16645004	16	52
16625105	14	22	16632309	22	84	16645103	16	50
16625204	14	27	16632408	22	87	16645202	14	35
16625303	14	29	16632606	26	8	16645301	14	41
16625402	14	4	16632903	26	12	16645400	14	43
16625501	14	6	16633000	26	11	16645608	50	4
16625600	22	90	16633109	26	9	16645707	50	1
16625709	20	1	16633216	26	18	16645806	50	6
16625808	20	3	16633406	26	21	16646515	50	16
16626111	14	34	16633406	70	9	16646606	50	28
16626202	40	58	16633802	28	32	16646721	50	19
16626400	40	55	16633901	28	33	16647000	50	29
16627515	20	19	16633901	32	19	16652117	38	15
16627606	20	28	16635005	32	18	16652216	12	23
16627804	20	22	16636706	36	22	16652257	12	22
16627903	20	25	16637308	36	17	16652315	12	31
16628000	50	3	16637704	40	48	16660706	52	1
16628505	50	5	16637803	38	46	16661019	28	34
16628703	52	4	16637902	38	42	16661118	32	27
16628901	50	20	16638108	38	45	16661209	28	9~11
16629008	30	47	16638207	40	69	16661209	32	40~42
16629008	32	11	16638306	40	68	16661308	28	5
16629107	40	76	16638405	40	65	16661308	32	44
16629503	12	19	16639106	42	4	16661506	28	7
16629503	26	4	16639403	42	10	16661506	34	53
16629503	38	27	16640500	46	20	16661605	28	6
16629701	22	54	16640807	46	21	16661605	32	43

# NUMERICAL INDEX OF PARTS

PART NO	PAGE	REF NO.	PART NO	PAGE	REF NO.	PART NO	PAGE	REF NO.
16661704	28	4	16704520	12	9	16718405	26	17
16661704	32	45	16710006	6	33	16718702	6	32
16661704	70	13	16710204	40	63	16718702	28	45
16661803	28	19	16710303	62	4	16718702	32	9
16661803	32	46	16710501	42	9	16775850	50	25
16661902	30	53	16710600	38	80	16795007	40	50
16661902	32	23	16710600	40	80	16796104	46	6
16662009	30	48	16710709	16	51	16797409	50	34
16662009	32	24	16710907	40	61	16797615	50	36
16662108	30	54	16711004	40	62	16797706	50	41
16662108	32	25	16711202	30	57	16798100	28	9~11
16662900	52	16	16711202	32	13	16798100	32	40~42
16663007	52	15	16711202	42	13	16799603	28	9~11
16663106	52	17	16711301	20	12	16799603	32	40~42
16663205	52	18	16711301	40	53	16799660	28	1~3
16663411	52	32	16711400	38	34	16799660	32	30~32
16663718	52	33	16711509	56	6	16799702	28	14~16
16663809	52	35	16711608	20	51	16799702	34	47~49
16663908	52	2	16711608	22	51	16800104	12	25
16665002	20	14	16711608	38	8	16811705	42	3
16665101	20	10	16711608	56	49	16870206	2	36
16666406	58	78	16711608	58	49	16876906	14	13
16669418	54	78·87	16711608	62	6	16877417	12	16
16669426	54	78·87	16712408	60	15	16877508	22	88
16670101	54	81	16712507	36	7	16878001	20	5
16677700	2	28	16712507	42	17	16878308	36	26
16677809	2	22	16713208	20	38	16879108	12	29
16678609	16	86	16713208	36	25	16879504	14	23
16679003	2	17	16713307	58	55	17779802	70	17
16679102	2	2	16713604	12	24	17961707	10	86
16679201	2	8	16713703	56	19	20321204	6	35
16679508	14	1	16714206	38	36	25148404	42	46
16679904	6	6	16714305	40	56	25150004	26	10
16680001	6	3	16714503	20	11	25150103	54	59
16680100	6	1	16715005	14	46	25150103	62	10
16680209	8	61	16715401	14	42	25150509	56	44
16680506	52	8	16715609	4	58	25151705	14	26
16680605	52	7	16715906	2	10	25151903	24	9
16680704	52	6	16716003	2	27	25152109	12	13
16680803	28	18	16716409	6	9	25152109	56	29
16680803	34	51	16716508	4	56	25156407	8	66
16681009	70	14	16717001	22	89	25160300	42	37
16699605	20	20	16717704	2	9	25160409	42	52
16701302	2	38	16717803	2	23	25160409	44	52
16704322	12	12	16718009	2	12	25160508	44	51

## NUMERICAL INDEX OF PARTS

PART NO	PAGE	REF NO.	PART NO	PAGE	REF NO.	PART NO	PAGE	REF NO.
25160607	44	56	25210451	66	4	25218603	32	15
25160706	44	58	25210550	40	64	25218702	32	14
25160805	42	34	25210550	66	5	25218801	28	28
25160912	58	67	25210659	58	85	25219007	28	27
25161001	8	77	25210659	66	6	25219007	32	20
25161100	20	16	25210758	58	86	25219106	30	56
25161407	8	51	25210758	66	7	25219106	32	12
25161506	2	46	25212150	4	61	25219205	26	1
25161605	56	43	25212150	66	21	25219304	36	10
25161803	26	22	25212259	26	20	25219700	36	24
25161902	54	84	25212259	66	20	25220005	36	19
25162009	52	42	25212309	6	19	25220104	38	37
25162355	54	79-80	25212457	10	90-91	25220609	36	23
25162405	8	55	25212507	66	11	25221102	42	1
25162751	8	84	25212507	68	5	25221201	42	16
25162751	66	19	25212606	66	16	25221409	38	19
25165002	36	1	25212606	68	4	25221508	38	22
25165507	54	66-85	25212705	66	12	25221607	38	29
25165606	56	17	25212705	68	2	25221904	46	16
25165705	54	67-86	25213257	10	90-91	25222209	50	33
25166109	52	9	25213356	8	85	25222308	48	27
25166307	42	42	25214305	6	24	25222407	48	12
25166406	44	47	25215401	12	17	25222506	48	8
25169905	54	61	25215500	14	8	25222605	48	7
25206558	64	9	25215609	56	40	25222803	46	11
25206756	64	11	25215609	62	9	25222902	60	1
25207259	64	10	25215708	42	27	25223009	60	16
25207259	66	13	25216318	58	70	25223405	56	35
25207259	68	3	25216417	42	31	25223801	2	44
25207457	64	13	25216508	20	29	25224007	50	14
25208158	64	1	25216706	8	50	25224106	50	10
25208257	64	8	25217100	22	67	25224205	50	13
25208356	64	12	25217209	22	65	25224304	50	11
25208455	64	3	25217308	22	64	25226200	12	1
25208554	64	4	25217407	22	53	25226309	12	6
25208653	64	6	25217506	22	47	25226705	12	7-33
25208851	60	31	25217704	70	6	25227208	52	14
25208851	66	10	25217803	14	19	25227604	52	34
25208950	66	2	25218009	26	5	25227901	54	66-85
25209156	66	9	25218108	26	15	25228008	54	67-86
25209255	6	30	25218306	28	43	25228511	52	40
25209255	66	8	25218306	32	7	25229915	52	43
25209651	64	14	25218405	28	37	25230301	38	16
25210352	64	2	25218405	32	1	25230400	58	50
25210451	40	79	25218504	28	29	25230509	56	1

# NUMERICAL INDEX OF PARTS

PART NO	PAGE	REF NO.	PART NO	PAGE	REF NO.	PART NO	PAGE	REF NO.
25230608	56	16	25237009	6	31	25245705	54	51
25230806	56	11	25237108	8	58	25245812	54	55
25230905	58	48	25237900	12	2·32	25245903	54	47
25231002	56	5	25238304	4	54	25246315	52	21
25231101	56	10	25238502	24	2	25246505	52	12
25231200	56	21	25238551	24	1	25246604	54	62
25231309	58	87	25238601	24	5	25246703	54	64
25231408	56	27	25238700	24	3	25246802	54	65
25231507	56	30	25238809	24	10	25246901	54	58
25231705	56	41	25238908	16	71	25247107	54	48
25231804	58	58	25239807	36	27	25247206	54	70
25231903	58	83	25240003	36	39	25247305	54	73
25232000	58	63	25240102	36	36	25247404	54	76
25232109	58	80	25240508	38	14	25247503	62	1
25232208	58	73	25241902	36	30	25248204	8	45
25232315	58	81	25242009	42	6	25248303	48	30~32
25232406	58	65	25242108	42	8	25248402	48	30~32
25232505	56	28	25242207	60	21	25248501	48	30~32
25232604	62	16	25242306	60	2	25248600	52	24
25232703	62	12	25242405	60	19	25248709	52	45
25232802	62	18	25242504	50	32	25248907	54	57
25232901	62	17	25242561	50	31	25249004	12	2·32
25233016	62	5	25242603	20	4	25249103	12	7·33
25233115	56	4	25242702	20	33	25249707	40	51
25233206	62	7	25242801	20	7	25249806	40	87
25233305	62	11	25242959	54	79·80	25249855	40	84
25234006	28	36	25243403	6	37	25249905	28	14~16
25234006	32	29	25243502	2	41	25249905	34	47~49
25234105	28	22·23	25243601	28	14~16	25249962	28	1~3
25234105	32	34·35	25243601	34	47~49	25249962	32	30~32
25234105	70	21·24	25243668	28	1~3	25250010	28	22·23
25234303	8	52	25243668	32	30~32	25250010	32	34·35
25234402	60	25	25243700	40	86	25250010	70	21·24
25234501	60	4	25243908	20	23	25250101	46	18
25234600	12	8	25244005	46	23	25250200	46	19
25234709	8	46	25244104	38	10	25250309	36	11
25235102	36	31	25244203	38	11	25250408	40	75
25235409	2	1	25244302	38	9	25250507	40	81
25235508	2	35	25244500	38	12	25250606	38	38
25236100	2	15	25244609	38	7	25250705	16	89
25236209	2	13	25244708	38	1	25250804	8	42
25236407	2	39	25244807	46	25	25250903	36	5
25236506	6	5	25244807	70	20	25251000	6	29
25236605	6	13	25245317	52	30	25251109	8	76
25236704	6	23	25245606	52	25	25251109	12	5

# NUMERICAL INDEX OF PARTS

PART NO	PAGE	REF NO.	PART NO	PAGE	REF NO.	PART NO	PAGE	REF NO.
25251208	2	45	B1109481000	12	14	G91011160A0	70	2
25251406	36	37	B1144210000	16	59	G9119116000	70	4
25251505	40	73	B1150490000	8	53	G91201160A0	70	7
25251604	8	54	B1210761000	14	11	GPF06070000	16	92
25251802	8	56	B3419122000	50	24	HA002510010	6	25
25251802	12	11	B9101490000	70	8	HF0012030P0	70	11
25252008	28	42	B9110012000	70	3	HF001501000	66	15
25252008	32	6	BT0600400EC	24	4	HF001501000	68	6
25252008	42	21	BT0600400EC	26	16	HF001501000	70	10
25252107	42	33	CM300100102	4	66	HX001650000	6	26
25252206	42	35	CM3002000A1	16	88	MDPN10A0000	30	50~52
25252305	2	26	CM3002000B2	2	37	MDPN10A000T	70	1
25252404	62	15	CM300200202	36	35	MDPN10B0000	30	50~52
25252503	52	41	CM300200301	2	43	MDPN10B000T	70	22
25252602	56	26	CM300600102	2	42	MDPN10C0000	30	50~52
25252701	54	49	CM300600102	8	73	MDPN10C000T	70	23
25252800	58	77	CM500300001	16	87	MSCM2012DAZ	16	62
25252909	38	20	D6056555B00	16	90	MSCM2012DAZ	66	18
25252909	58	59	D8113555B00	16	76	MSCM6000AA0	16	72
25253006	56	8	D8115555B00	16	78	MSCM6000AA0	66	14
25253105	54	83	E1366715000	18	96	MSCM80000A0	14	28
25253204	20	8	G1211870000	44	50	MSCM80000A0	66	17
25253303	20	17	G1812870000	14	33	MTJVM003100	16	60
25253402	52	56	G1812870000	20	9	MTSP01100B0	16	61
25253402	54	56	G5181340000	56	23	NM6030001SC	22	71
25253501	50	35	G5503340000	28	24	NM6030001SC	26	14
25253600	50	30	G5503340000	34	50	NM6030003SC	8	43
25253600	60	23	G5506340000	28	13	NM6030003SC	12	20
25253709	56	34	G5506340000	32	36	NM6040001SC	8	68
25253808	38	24	G5507340000	28	12	NM6040001SC	20	42
25253907	38	21	G5507340000	32	37	NM6040001SC	36	12
25254301	28	39	G5512340000	28	21	NM6040001SC	40	85
25254301	32	2	G5512340000	32	39	NM6040001SC	46	5
25254509	38	3	G5513340000	28	20	NM6040001SD	22	78
25254608	20	32	G5513340000	32	38	NM6040003SC	24	6
25254707	42	24	G5513340000	70	15	NM6040003SC	52	71
25254905	42	26	G5514340000	28	8	NM6040003SC	54	71
25381005	42	14	G5514340000	34	52	NM6050001SC	4	65
25381203	42	40	G5528340000A	38	13	NM6050001SC	6	83
25381500	16	91	G5542340000	28	17	NM6050001SC	8	83
25381906	70	19	G5542340000	32	33	NM6050001SC	20	41
25396052	4	51	G5542340000	70	18	NM6050001SC	36	20
25397456	60	32	G5701340000	70	5	NM6050001SC	38	4
25397902	8	80	G5704340000	70	16	NM6050001SC	50	18
A9102062BA0	70	12	G85031920A0	4	67	NM6050001SC	56	46

NUMERICAL INDEX OF PARTS

PART NO	PAGE	REF NO.	PART NO	PAGE	REF NO.	PART NO	PAGE	REF NO.
NM6050001SC	60	24	SB112000200	14	5	SM6041202TP	52	3
NM6050003SC	40	72	SB112000200	44	55	SM6041502TP	20	45
NM6050003SC	50	27	SB112000200	58	79	SM6041502TP	26	7
NM6050003SC	56	24	SB115000400	28	25	SM6041502TP	52	53
NM6050550SD	56	22	SB115000400	32	21	SM6041502TP	54	53
NM6060001SC	2	21	SB115000400	42	41	SM6041802TP	56	32
NM6060001SC	20	31	SB115001200	28	46	SM6042002TP	16	99
NM6060001SC	38	25	SB115001200	32	10	SM6042002TP	18	99
NM6060003SC	12	18	SB120000200	14	14	SM6042002TP	40	74
NM6060003SC	18	98	SK3382001SC	2	7	SM6042002TP	50	37
NM6060003SC	50	8	SM0040601SC	42	5	SM6042502TP	40	88
NM6060003SC	58	76	SM0040801SC	6	27	SM6044002TP	44	53
NM6080001SC	16	65	SM0041001SC	6	17	SM6050802TP	12	28
NM6080001SC	22	91	SM0041001SC	36	40	SM6051002TP	4	52
NM6080001SC	28	40	SM0041201SA	8	70	SM6051002TP	48	2
NM6080001SC	32	4	SM0050801SC	2	55	SM6051002TP	50	26
NM6080003SC	14	38	SM0050801SC	4	55	SM6051002TP	60	3
NM6100001SC	42	28	SM0051001SC	10	87	SM6051202TP	2	31
NM6120001SC	6	40	SM0860501SC	8	67	SM6051202TP	14	45
NM6201202SC	4	57	SM1040601SP	14	25	SM6051202TP	36	2
NM6860001SC	8	57	SM1040852TP	2	11	SM6051202TP	48	16
NM7030510SA	22	62	SM1040852TP	12	34	SM6051202TP	54	63
NS6120310SP	20	26	SM4040601SC	6	78	SM6051202TP	56	45
RC0150001KP	28	44	SM4040601SC	8	78	SM6051202TP	60	22
RC0150001KP	32	8	SM6030602TP	26	23	SM6051552TP	2	32
RC0150001KP	42	22	SM6030602TP	38	17	SM6051552TP	40	77
RC0220001KP	62	3	SM6030802TP	36	18	SM6051552TP	56	13
RC0470611KP	54	77	SM6031002TP	26	13	SM6051552TP	62	19
RC0931011KP	56	47	SM6031002TP	36	28	SM6051802TP	40	59
RC0931011KP	58	47	SM6031502TP	54	52	SM6051802TP	42	38
RC1200001KP	14	84	SM6040502TP	22	76	SM6051802TP	50	15
RC1200001KP	16	84	SM6040602TP	46	3	SM6052002TP	14	31
RC1200001KP	42	25	SM6040802TP	8	47	SM6052002TP	28	35
RC1200001KP	56	38	SM6040802TP	40	70	SM6052002TP	32	28
RC2600002KP	60	13	SM6040802TP	60	26	SM6052502TP	14	2
RC3200002KP	28	26	SM6041002TP	4	47	SM6052502TP	22	49
RC3200002KP	32	22	SM6041002TP	6	38	SM6052502TP	58	56
RC3700002KP	16	53	SM6041002TP	22	61	SM6061002TP	4	49
SB104000500	22	66	SM6041002TP	48	9	SM6061002TP	8	59
SB105000300	48	5	SM6041002TP	52	74	SM6061202TP	4	59
SB108000400	48	23	SM6041002TP	54	74	SM6061202TP	56	9
SB110000400	56	39	SM6041002TP	56	68	SM6061552TP	16	73
SB110000400	60	14	SM6041002TP	58	68	SM6061802TP	50	2
SB110000400	62	8	SM6041202TP	8	62	SM6062002TP	6	20
SB110000900	20	27	SM6041202TP	14	30	SM6062002TP	14	36



NUMERICAL INDEX OF PARTS

PART NO	PAGE	REF NO.	PART NO	PAGE	REF NO.	PART NO	PAGE	REF NO.
SM6062002TP	20	30	SM8040802TP	38	82	SS6121210SP	12	4
SM6062002TP	38	2	SM8040802TP	40	82	SS6121210SP	20	24
SM6062002TP	44	60	SM8040802TP	46	10	SS7111120SP	54	69
SM6062002TP	48	20	SM8040802TP	48	13	SS7111410SP	46	12
SM6062002TP	50	17	SM8050502TP	20	15	SS7120410TP	6	7
SM6062002TP	58	52	SM8050602TP	20	13	SS8110510SP	52	5
SM6062002TP	60	17	SM8050602TP	40	54	SS8660612TP	22	55
SM6062502TP	16	57	SM8050602TP	46	26	SS8660612TP	40	47
SM6062502TP	28	30	SM8050602TP	56	84	SS9111010SP	50	7
SM6062502TP	32	16	SM8050602TP	58	84	SS9182010SN	50	23
SM6062502TP	38	30	SM8050602TP	60	20	ST4041621SN	2	3
SM6062502TP	58	74	SM8050802TP	42	32	TA0800504R0	18	97
SM6063002TP	28	38	SM8050812TP	20	2	WP0280500SC	8	64
SM6063002TP	32	3	SM8050812TP	42	2	WP0320501SC	2	4
SM6063002TP	42	18	SM8051002TP	58	66	WP0320501SC	26	24
SM6063002TP	50	12	SM8060552TP	28	31	WP0430801SC	6	69
SM6081552TP	16	79	SM8060552TP	32	17	WP0430801SC	8	69
SM6082002TN	46	17	SM8060602TP	38	33	WP0430801SC	22	59
SM6082502TP	14	63	SM8060802TP	14	56	WP0430801SC	24	8
SM6082502TP	16	63	SM8060802TP	16	56	WP0430801SC	36	34
SM6082502TP	26	2	SM8080802TP	42	45	WP0430801SC	48	28
SM6082502TP	36	6	SM9040803SD	6	10	WP0430801SC	50	39
SM6083002TP	14	21	SM9041003SD	48	6	WP0430801SC	60	28
SM6083002TP	36	32	SM9041050SC	8	81	WP0430801SE	22	77
SM6083002TP	42	11	SM9051603SD	6	14	WP0531001SC	2	34
SM6086002TP	20	18	SM9051603SD	38	43	WP0531001SC	6	89
SM6103002TP	2	29	SM9061003SC	4	62	WP0531001SC	10	89
SM6104002TP	6	39	SM9061403SC	18	93	WP0531001SC	36	15
SM6104002TP	60	29	SM9085013SC	16	67	WP0531001SC	38	6
SM6123002TP	8	72	SS2090510SP	12	3	WP0531001SC	46	13
SM8030302TP	22	83	SS3090810SL	16	82	WP0531001SC	48	18
SM8030302TP	54	82	SS4060310SP	26	19	WP0531001SC	56	15
SM8030502TP	36	29	SS4090515SP	12	26	WP0621016SH	30	49
SM8030502TP	48	26	SS4090610SP	6	2	WP0621016SH	34	54
SM8030802TP	8	44	SS4090815SP	12	30	WP0641601SC	4	64
SM8030802TP	12	21	SS6060220SP	12	15	WP0641601SC	6	22
SM8040502TP	20	57	SS6060440TP	50	40	WP0641601SC	16	95
SM8040502TP	22	57	SS6080720SP	52	36	WP0641601SC	18	95
SM8040502TP	42	59	SS6081210SP	22	86	WP0641601SC	38	32
SM8040502TP	44	59	SS6081210SP	54	68	WP0641601SC	48	22
SM8040502TP	46	24	SS6090810SP	30	55	WP0641601SC	60	12
SM8040502TP	48	25	SS6090810SP	32	26	WP0841601SC	12	27
SM8040502TP	56	7	SS6090810SP	52	13	WP0841601SC	14	68
SM8040502TP	62	14	SS6090810SP	56	18	WP0841601SC	16	68
SM8040602TP	54	60	SS6121010SP	46	2	WP0841601SC	36	16

# NUMERICAL INDEX OF PARTS

PART NO	PAGE	REF NO.	PART NO	PAGE	REF NO.
WP0841601SC	42	12	WS0610002KN	58	75
WP1052001SC	42	30	WS0610002KN	60	18
WP1302500SC	8	74	WS0820002KN	14	80
WS0310002KN	22	63	WS0820002KN	16	80
WS0310002KN	38	18	WS0820002KN	26	3
WS0310002KN	54	54	WS0820002KN	28	41
WS0410002KN	4	48	WS0820002KN	32	5
WS0410002KN	6	82	WS0820002KN	36	33
WS0410002KN	8	82	WS1020002KN	2	30
WS0410002KN	20	60	WS1020002KN	42	29
WS0410002KN	22	60	WS1020002KN	60	30
WS0410002KN	24	7	WS1220002KN	6	75
WS0410002KN	26	6	WS1220002KN	8	75
WS0410002KN	40	71			
WS0410002KN	44	54			
WS0410002KN	48	29			
WS0410002KN	50	38			
WS0410002KN	52	75			
WS0410002KN	54	75			
WS0410002KN	56	69			
WS0410002KN	58	69			
WS0410002KN	60	27			
WS0510002KN	2	53			
WS0510002KN	4	53			
WS0510002KN	6	88			
WS0510002KN	10	88			
WS0510002KN	14	44			
WS0510002KN	20	40			
WS0510002KN	36	21			
WS0510002KN	38	83			
WS0510002KN	40	83			
WS0510002KN	42	39			
WS0510002KN	48	17			
WS0510002KN	56	25			
WS0610002KN	4	63			
WS0610002KN	6	60			
WS0610002KN	8	60			
WS0610002KN	14	94			
WS0610002KN	16	94			
WS0610002KN	18	94			
WS0610002KN	38	31			
WS0610002KN	42	61			
WS0610002KN	44	61			
WS0610002KN	48	21			
WS0610002KN	50	9			