

MODEL : MO-6716 Subclasses

List No : 1323-01

PARTS LIST

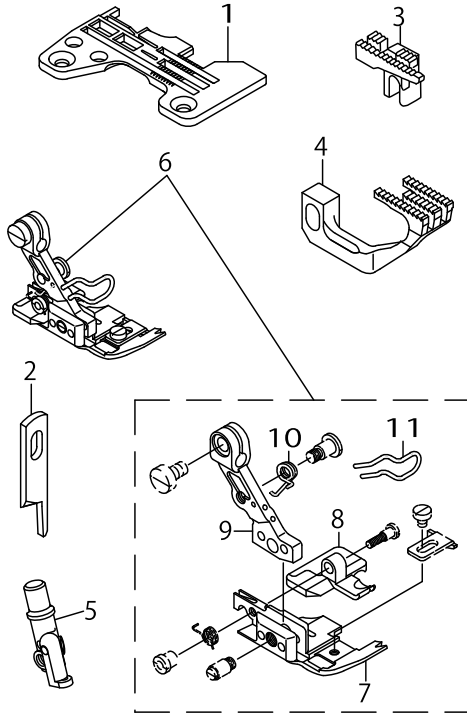
Published:05/12/2017

CONTENTS

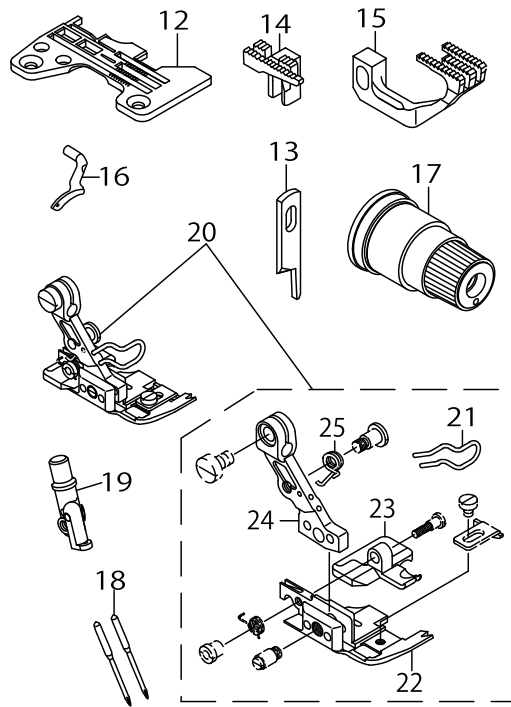
MO-6716S, MO-6745S SUBCLASSES (1)	1
MO-6716S, MO-6745S SUBCLASSES (2)	5
HOW TO MAKE USE OF THIS PARTS LIST	9

MO-6716S, MO-6745S SUBCLASSES (1)

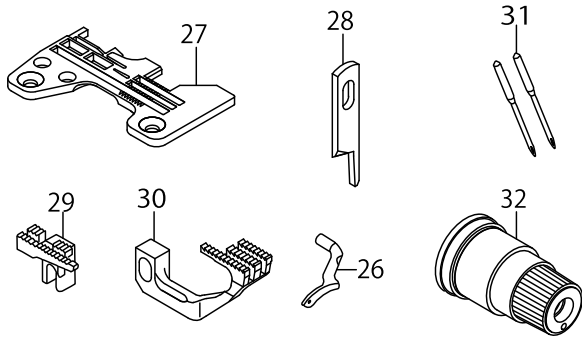
1.MO-6716S-FF6-300



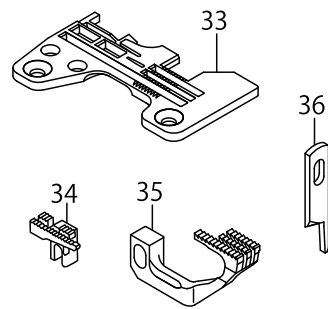
2.MO-6716S-FF6-500



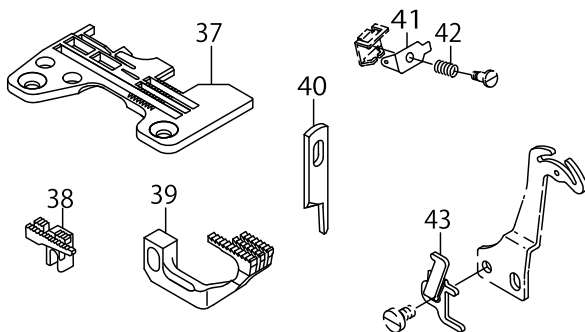
3.MO-6716S-DD6-500



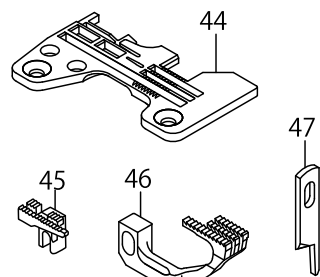
4.MO-6716S-DD6-300



5.MO-6716S-DD6-3F0



6.MO-6716S-DE6-300

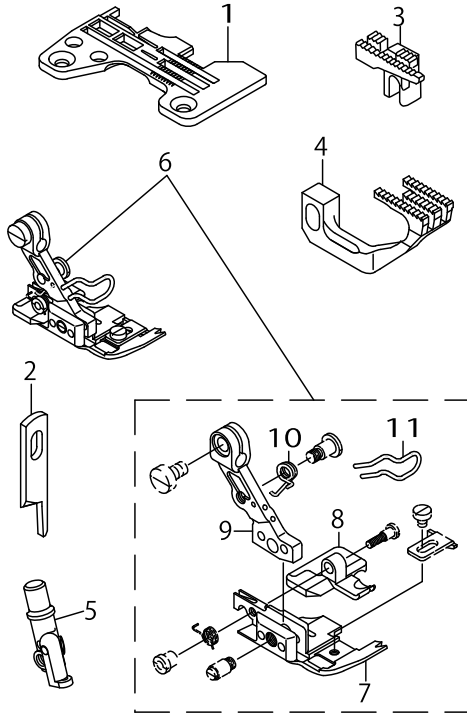


MO-6716S, MO-6745S SUBCLASSES (1)

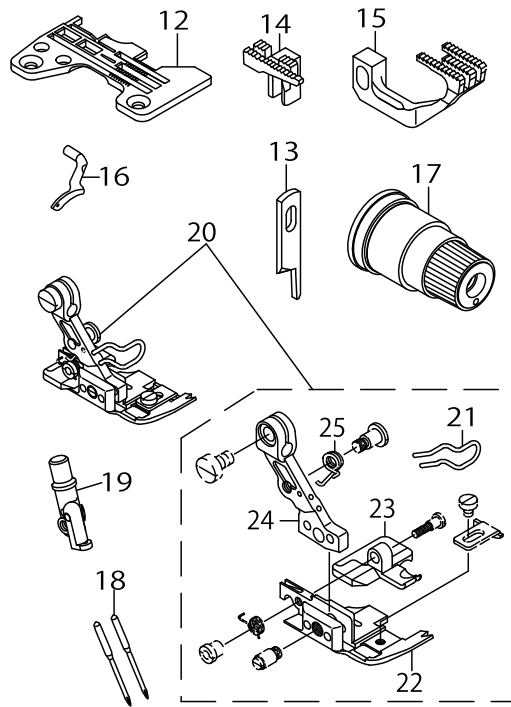
No.	Supply Code	Parts No.	Replacement	Parts name	Remarks	Choice	Step	Level	Cons	Qty	Rep. QTY
1		R4612J6FD00		THROAT PLATE						1	
2		13150503		KNIFE						1	
3		11884004		MAIN FEED DOG						1	
4		12173308		DIFFERENTIAL FEED DOG						1	
5		12257507		NEEDLE CLAMP, CHAIN LOOPER						1	
6		12154266		PRESSER FOOT ASM.						1	
7	R	12162707	12154266	PRESSER FOOT				*		1	1.00
8	R	12165304	12154266	REARPRESSERFOOT				*		1	1.00
9		12157004		PRESSER FOOT HINGE				*		1	
10		12168001		PRESSER FOOT ARM SPRING, (B)				*		1	
11		12168209		FINGER GUARD						1	
12		R4612J6FG00		THROAT PLATE						1	
13		13150503		KNIFE						1	
14		11883006		MAIN FEED DOG						1	
15		12173506		DIFFERENTIAL FEED DOG						1	
16		11999208		UPPER LOOPER						1	
17		13137559		TENSION SPRING UNION (RED)						1	
18		MDC270B1600		NEEDLE DCX27 #16						2	
19		12257507		NEEDLE CLAMP, CHAIN LOOPER						1	
20		12154266		PRESSER FOOT ASM.						1	
21		12168209		FINGER GUARD				*		1	
22	R	12162707	12154266	PRESSER FOOT				*		1	1.00
23	R	12165304	12154266	REARPRESSERFOOT				*		1	1.00
24		12157004		PRESSER FOOT HINGE				*		1	
25		12168001		PRESSER FOOT ARM SPRING, (B)				*		1	
26		11999208		UPPER LOOPER						1	
27		R4608J6DF00		THROAT PLATE						1	
28		13150503		KNIFE						1	
29		11980802		MAIN FEED DOG						1	
30		12173902		DIFFERENTIAL FEED DOG						1	
31		MDC270B1600		NEEDLE DCX27 #16						2	
32		13137559		TENSION SPRING JUNCTION						1	
33		R4608J6DD00		THROAT PLATE						1	
34		11882909		MAIN FEED DOG						1	
35		12173209		DIFFERENTIAL FEED DOG						1	
36		13150503		KNIFE						1	
37		R4608J6DD00		THROAT PLATE						1	
38		11882909		MAIN FEED DOG						1	
39		12173209		DIFFERENTIAL FEED DOG						1	
40		13150503		KNIFE						1	
41		12112504		NEEDLE THREAD P- RESSER PLATE C						1	
42		12112702		NEEDLE THREAD P- RESSER SPRING B						1	
43		12112603		DIFFERENTIAL FEED CAM						1	
44		R4608J6ED00		THROAT PLATE						1	
45		11882909		MAIN FEED DOG						1	

MO-6716S, MO-6745S SUBCLASSES (1)

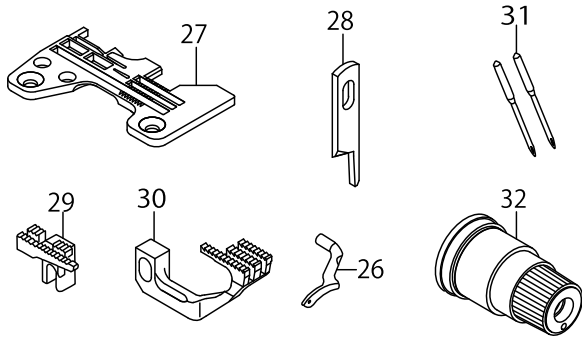
1.MO-6716S-FF6-300



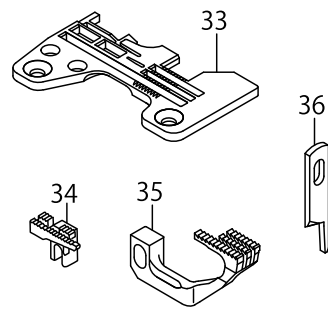
2.MO-6716S-FF6-500



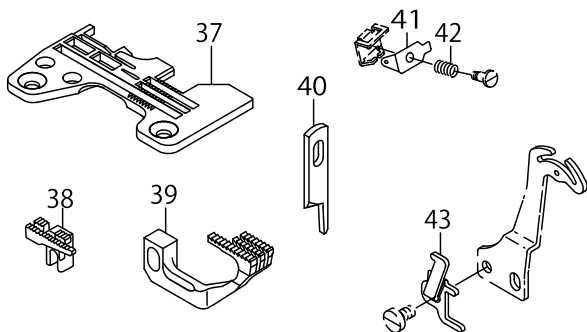
3.MO-6716S-DD6-500



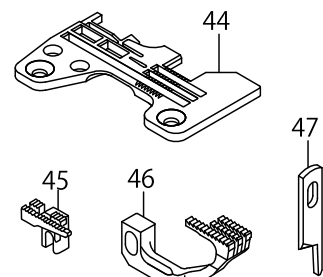
4.MO-6716S-DD6-300



5.MO-6716S-DD6-3F0

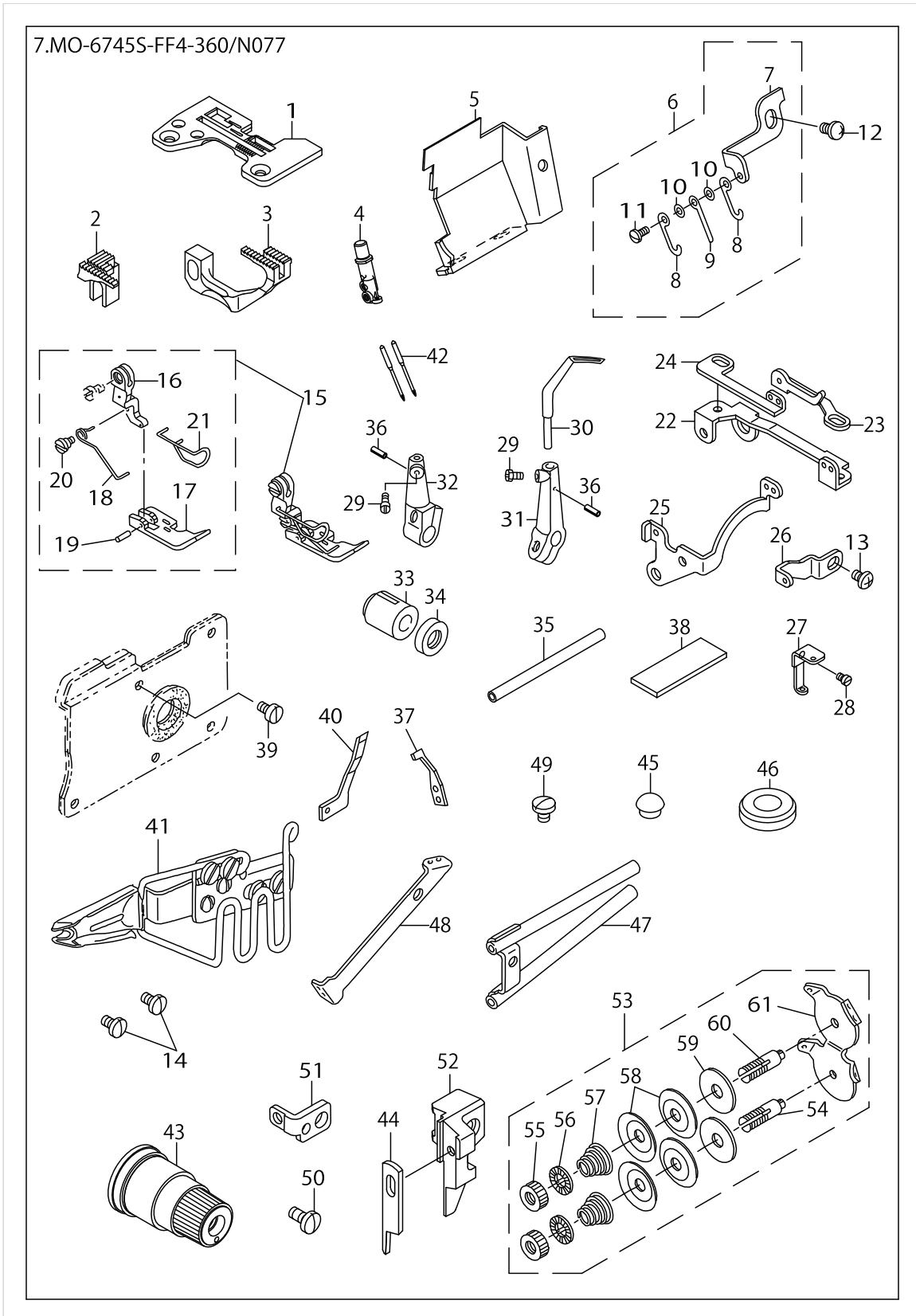


6.MO-6716S-DE6-300



MO-6716S, MO-6745S SUBCLASSES (1)

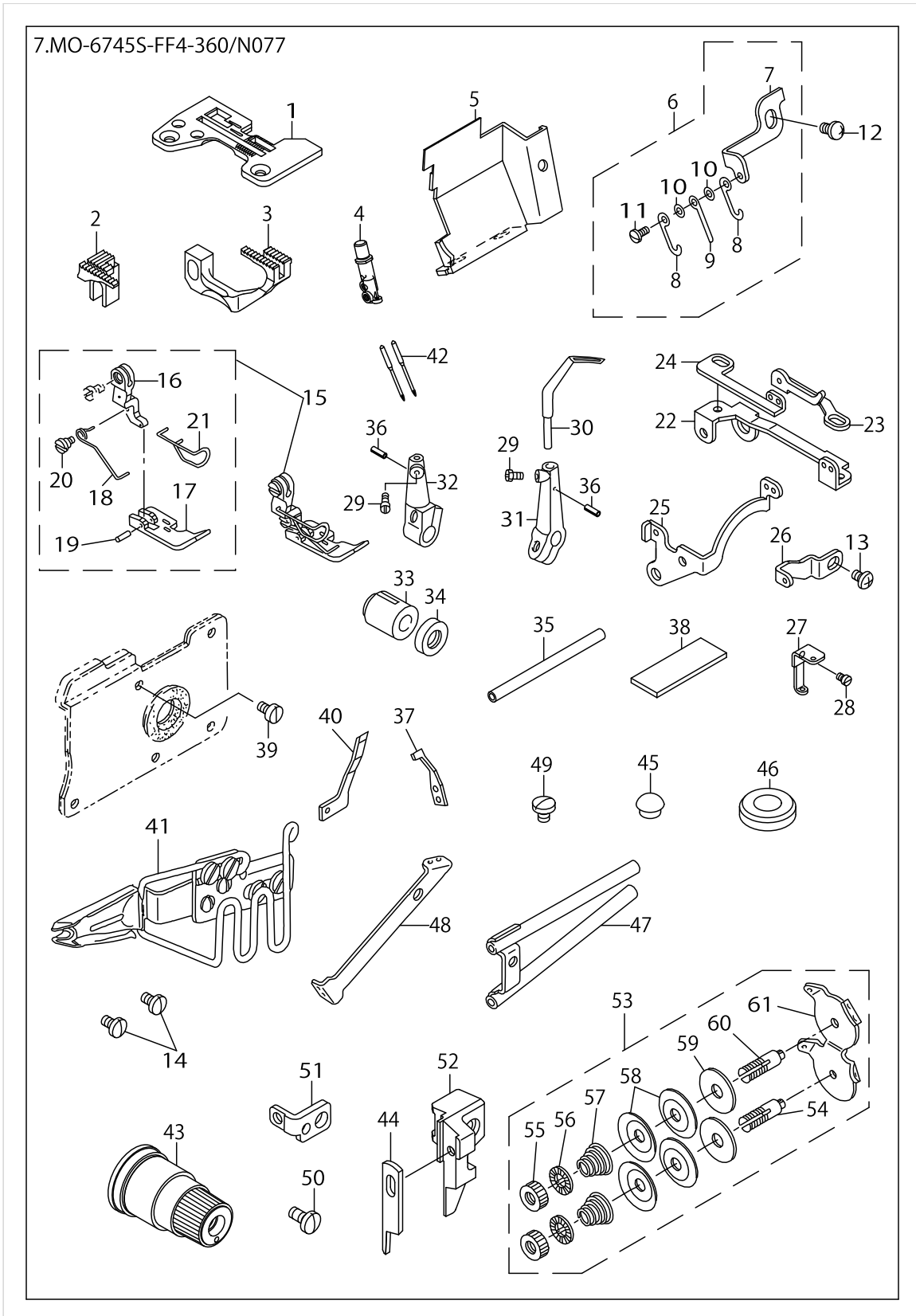
No.	Supply Code	Parts No.	Replacement	Parts name	Remarks	Choice	Step	Level	Cons	Qty	Rep. QTY
46		12173209		DIFFERENTIAL FEED DOG						1	
47		13150503		KNIFE						1	



MO-6716S, MO-6745S SUBCLASSES (2)

No.	Supply Code	Parts No.	Replacement	Parts name	Remarks	Choice	Step	Level	Cons	Qty	Rep. QTY
1		40026881		THROAT PLATE						1	
2		40031382		MAIN FEED DOG						1	
3		40031381		DIFFERENTIAL FEED DOG						1	
4	R	12150306	12257507	NEEDLE CLAMP, CHAIN LOOPER						1	1.00
5		13105309		CLOTH WASTE COVER						1	
6		12145652		CHAIN LOOPER THREAD TAKE-UP						1	
7		12145702		THREAD TAKE-UP FITTING BASE				*		1	
8	R	B1427816000	13112404	NEEDLE THREAD TAKE-UP LEVER A				*		2	1.00
9		B1428816000		NEEDLE THREAD TAKE-UP LEVER B				*		1	
10		WP0250516SD		WASHER 2.5X6X0.5				*		2	
11		SS7060510SP		SCREW 3/32-56 L=4.8				*		1	
12		SM4040655SP		SCREW M4 L=6						1	
13		SM4040655SP		SCREW M4 L=6						1	
14		SS7110710SL		SCREW 11/64-40 L=7.0						2	
15		40031637		PRESSER FOOT COMPL.						1	
16		11872405		PRESSER FOOT HINGE				*		1	
17	R	40026885	40031637	PRESSER FOOT				*		1	1.00
18		11892106		PRESSER SPRING				*		1	
19		B1511357000		PIN				*		1	
20		SD0370401SP		HINGE SCREW D= 3.70 H= 4.0				*		1	
21		11894706		FINGER GUARD				*		1	
22		12146007		THREAD GUIDE BASE						1	
23		12146106		THREAD GUIDE A						1	
24		12146205		THREAD GUIDE B						1	
25		12146304		THREAD GUIDE						1	
26		12145801		CHAIN LOOPER THREAD GUIDE						1	
27		12145900		NEEDLE THREAD GUIDE						1	
28		SS6060340SP		SCREW 3/32-56 L=2.5						1	
29		SS9090610TP		SCREW 9/64-40 L=5.5						2	
30		11999604		DOUBLE-RING LOOPER						2	
31		B211784500A		CHAIN LOOPER SUPPORT ARM A						1	
32		B211784500B		CHAIN LOOPER SUPPORT ARM						1	
33		B2110845000		BUSHING, FRONT						1	
34		B2121845000		OIL SEAL						1	
35		B2109816000		CHAIN LOOPER SHAFT						1	
36		PS0200062KH		SPRING PIN 2X6						2	
37		11891009		NEEDLE GUARD						1	
38		B2528845000		CHIP GUARD PLATE						1	
39		SS6090630TP		SCREW 9/64-40 L=6						1	
40		11890902		NEEDLE GUARD						1	
41		MAN0770F0A0		TOP CENTER PLAIT BINDER ASM.						1	
42		MDC270B1100		NEEDLE DCX27 #11						2	
43		13140652		TENSION SPRING UNION (GREEN)						2	
44		13150503		KNIFE						1	
45		TA0750404R0		PLUG D=7.5 L=3.5						1	

MO-6716S, MO-6745S SUBCLASSES (2)



MO-6716S, MO-6745S SUBCLASSES (2)

No.	Supply Code	Parts No.	Replacement	Parts name	Remarks	Choice	Step	Level	Cons	Qty	Rep. QTY
46		TA2000502R0		RUBBER PLUG						1	
47		11893054		LOOPER THREAD G- UIDE TUBE ASM.						1	
48		11893104		LOOPER THREAD G- UIDE TUBE GUIDE						1	
49		SS7090510SP		SCREW 9/64-40 L=4.6						1	
50		SS7110840SP		SCREW 11/64-40 L=7.8						1	
51		11854205		SUPPORT						1	
52		40033522		KNIFE SUPPORT						1	
53		11892957		TENSION CONTROLLER ASM.						1	
54	D	11892908		THREAD TENSION POST B				*		1	
55		B2314019000		TENSION POST NUT				*		2	
56		B3120125000		ROTATING STOPPER				*		2	
57		B2017372000		TENSION SPRING NO.1				*		2	
58	R	B3126012000	22921506	THREAD TENSION DISK				*		4	1.00
59	R	B3120352000	13139902	THREAD TENSION SPRING FELT				*		2	1.00
60	R	11550803	13139555	THREAD TENSION POST				*		1	1.00
61		11892809		THREAD GUIDE				*		1	

HOW TO MAKE USE OF THIS PARTS LIST

1.As to "#01" and "#02" refer to the "Note" given at the bottom of the respective pages.

2.Codes on the "Qty" column

- Each numeral indicates the number of parts required.
- "0.1" and "2.5" indicate the length (in meters) of the respective parts.

3.Parentheses mean that the corresponding part is a subpart that constructs an assembly part.

4.Dotted lines on the Figures indicate assembly parts.

1. リストページの# 0 1、# 0 2の印は、ページ下の"注記"の説明を参照下さい。
2. 数量欄の数字は、個数を表し、0. 1、2. 5等の数値は、長さ（単位メートル）を表します。
3. 数量欄の（ ）は、組部品を構成している子部品であることを意味します。
4. イラストページの-----枠は、組構成であることを意味します。

NUMERICAL INDEX OF PARTS

PART NO	PAGE	REF NO.	PART NO	PAGE	REF NO.
11550803	8	60	13150503	2	47
11854205	8	51	13150503	4	47
11872405	6	16	13150503	6	44
11882909	2	45	40026881	6	1
11883006	2	14	40026885	6	17
11884004	2	3	40031381	6	3
11890902	6	40	40031382	6	2
11891009	6	37	40031637	6	15
11892106	6	18	40033522	8	52
11892809	8	61	B1427816000	6	8
11892908	8	54	B1428816000	6	9
11892957	8	53	B1511357000	6	19
11893054	8	47	B2017372000	8	57
11893104	8	48	B2109816000	6	35
11894706	6	21	B2110845000	6	33
11980802	2	29	B211784500A	6	31
11999208	2	26	B211784500B	6	32
11999604	6	30	B2121845000	6	34
12112504	2	41	B2314019000	8	55
12112603	2	43	B2528845000	6	38
12112702	2	42	B3120125000	8	56
12145652	6	6	B3120352000	8	59
12145702	6	7	B3126012000	8	58
12145801	6	26	MAN0770F0A0	6	41
12145900	6	27	MDC270B1100	6	42
12146007	6	22	MDC270B1600	2	31
12146106	6	23	PS0200062KH	6	36
12146205	6	24	R4608J6DD00	2	37
12146304	6	25	R4608J6DF00	2	27
12150306	6	4	R4608J6ED00	2	44
12154266	2	20	R4612J6FD00	2	1
12157004	2	24	R4612J6FG00	2	12
12162707	2	22	SD0370401SP	6	20
12165304	2	23	SM4040655SP	6	13
12168001	2	25	SS6060340SP	6	28
12168209	2	21	SS6090630TP	6	39
12173209	2	46	SS7060510SP	6	11
12173209	4	46	SS7090510SP	8	49
12173308	2	4	SS7110710SL	6	14
12173506	2	15	SS7110840SP	8	50
12173902	2	30	SS9090610TP	6	29
12257507	2	19	TA0750404R0	6	45
13105309	6	5	TA2000502R0	8	46
13137559	2	32	WP0250516SD	6	10
13140652	6	43			