

MODEL : MO-6916 SUBCLASSES

List No : 1318-01

PARTS LIST

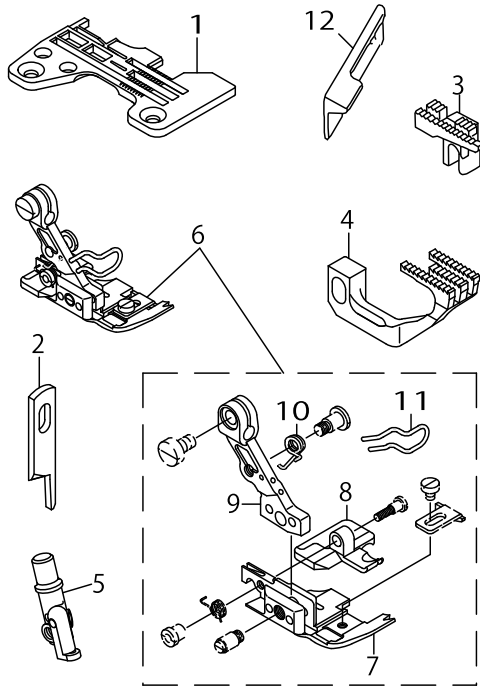
Published:05/12/2017

CONTENTS

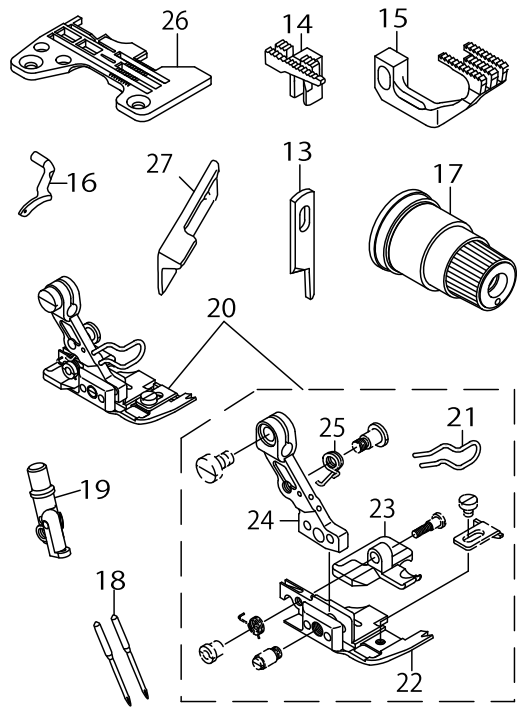
MO-6916S, MO-6945S SUBCLASSES (1) & (2).....	1
HOW TO MAKE USE OF THIS PARTS LIST	5

MO-6916S, MO-6945S SUBCLASSES (1) & (2)

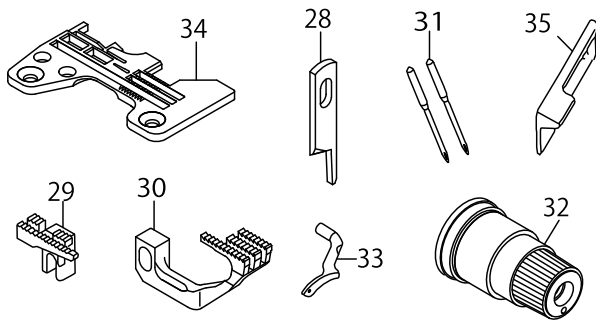
1.MO-6916S-FF6-300



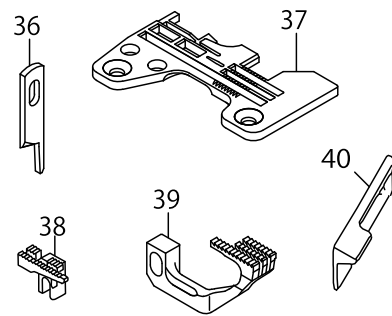
2.MO-6916S-FF6-500



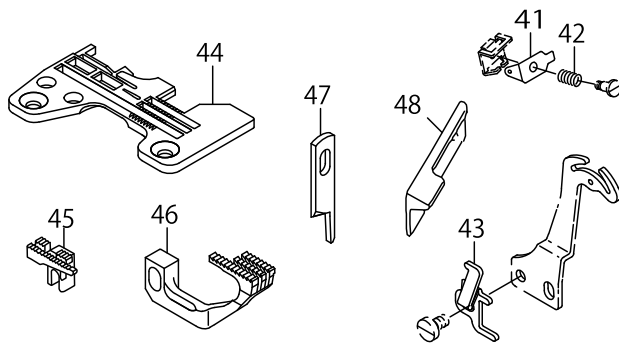
3.MO-6916S-DD6-500



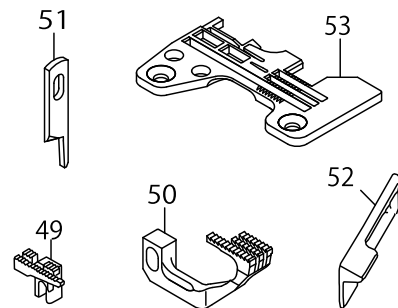
4.MO-6916S-DD6-300



5.MO-6916S-DD6-3F0



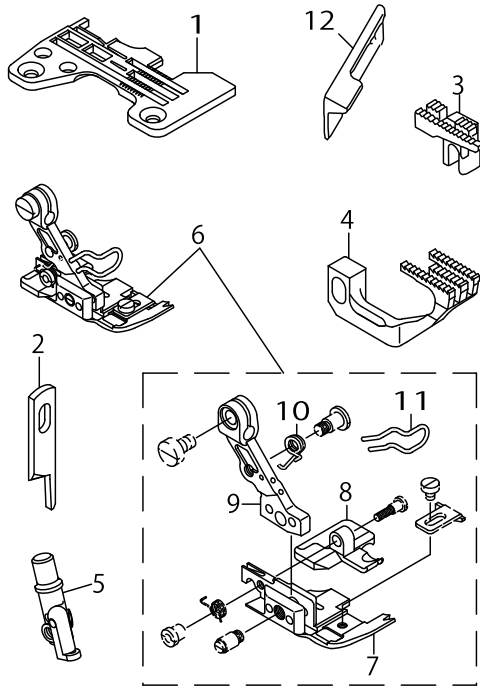
6.MO-6916S-DE6-300



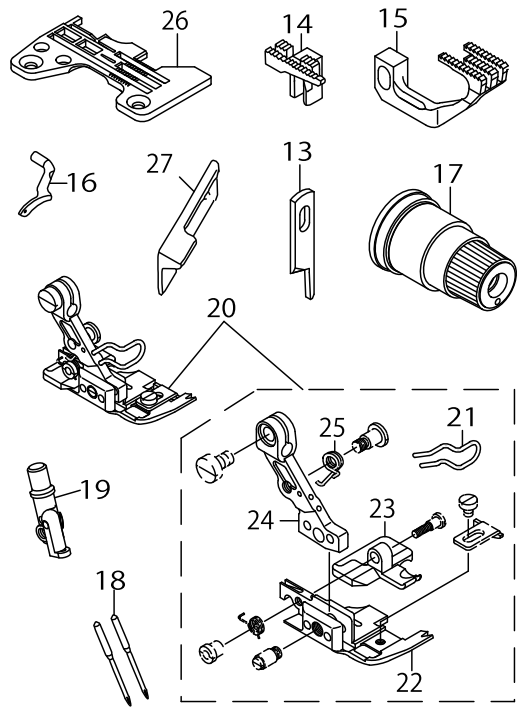
MO-6916S, MO-6945S SUBCLASSES (1) & (2)

No.	Supply Code	Parts No.	Replacement	Parts name	Remarks	Choice	Step	Level	Cons	Qty	Rep. QTY
1		R4612J6FD00		THROAT PLATE						1	
2		13150503		KNIFE	EXCEPT JE					1	
3		11884004		MAIN FEED DOG						1	
4		12173308		DIFFERENTIAL FEED DOG						1	
5		12257507		NEEDLE CLAMP, CHAIN LOOPER						1	
6		12154266		PRESSER FOOT ASM.						1	
7	R	12162707	12154266	PRESSER FOOT				*		1	1.00
8	R	12165304	12154266	REARPRESSERFOOT				*		1	1.00
9		12157004		PRESSER FOOT HINGE				*		1	
10		12168001		PRESSER FOOT ARM SPRING, (B)				*		1	
11		12168209		FINGER GUARD				*		1	
12		11845807		UPPER KNIFE	FOR JE					1	
13		13150503		KNIFE	EXCEPT JE					1	
14		11883006		MAIN FEED DOG						1	
15		12173506		DIFFERENTIAL FEED DOG						1	
16		11999208		UPPER LOOPER						1	
17		13137559		TENSION SPRING UNION (RED)						1	
18		MDC270B1600		NEEDLE DCX27 #16						2	
19		12257507		NEEDLE CLAMP, CHAIN LOOPER						1	
20		12154266		PRESSER FOOT ASM.						1	
21		12168209		FINGER GUARD				*		1	
22	R	12162707	12154266	PRESSER FOOT				*		1	1.00
23	R	12165304	12154266	REARPRESSERFOOT				*		1	1.00
24		12157004		PRESSER FOOT HINGE				*		1	
25		12168001		PRESSER FOOT ARM SPRING, (B)				*		1	
26		R4612J6FG00		THROAT PLATE						1	
27		11845807		UPPER KNIFE	FOR JE					1	
28		13150503		KNIFE	EXCEPT JE					1	
29		11980802		MAIN FEED DOG						1	
30		12173902		DIFFERENTIAL FEED DOG						1	
31		MDC270B1600		NEEDLE DCX27 #16						2	
32		13137559		TENSION SPRING JUNCTION						1	
33		11999208		UPPER LOOPER						1	
34		R4608J6DF00		THROAT PLATE						1	
35		11845807		UPPER KNIFE	FOR JE					1	
36		13150503		KNIFE	EXCEPT JE					1	
37		R4608J6DD00		THROAT PLATE						1	
38		11882909		MAIN FEED DOG						1	
39		12173209		DIFFERENTIAL FEED DOG						1	
40		11845807		UPPER KNIFE	FOR JE					1	
41		12112504		NEEDLE THREAD P- RESSER PLATE C						1	
42		12112702		NEEDLE THREAD P- RESSER SPRING B						1	
43		12112603		DIFFERENTIAL FEED CAM						1	
44		R4608J6DD00		THROAT PLATE						1	
45		11882909		MAIN FEED DOG						1	

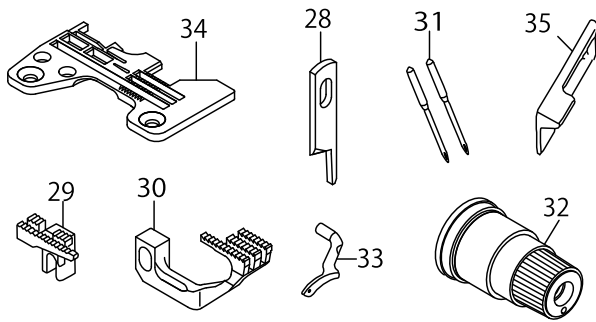
1.MO-6916S-FF6-300



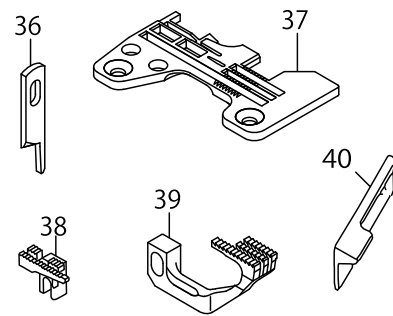
2.MO-6916S-FF6-500



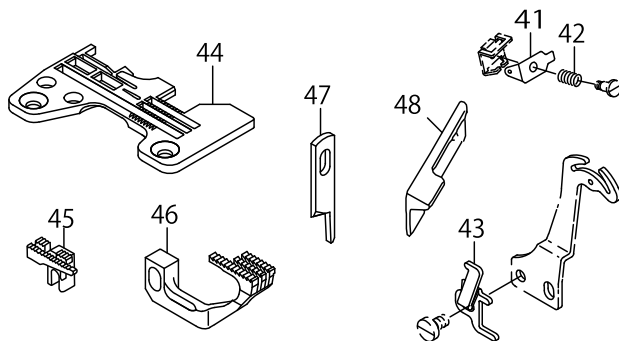
3.MO-6916S-DD6-500



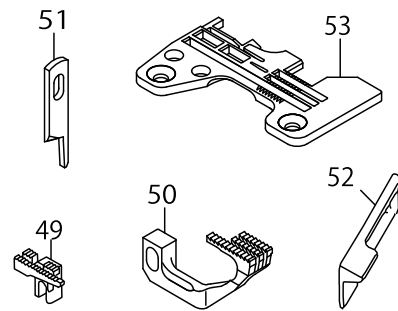
4.MO-6916S-DD6-300



5.MO-6916S-DD6-3F0



6.MO-6916S-DE6-300



MO-6916S, MO-6945S SUBCLASSES (1) & (2)

No.	Supply Code	Parts No.	Replacement	Parts name	Remarks	Choice	Step	Level	Cons	Qty	Rep. QTY
46		12173209		DIFFERENTIAL FEED DOG						1	
47		13150503		KNIFE						1	
48		11845807		UPPER KNIFE	FOR JE					1	
49		11882909		MAIN FEED DOG						1	
50		12173209		DIFFERENTIAL FEED DOG						1	
51		13150503		KNIFE	EXCEPT JE					1	
52		11845807		UPPER KNIFE	FOR JE					1	
53		R4608J6ED00		THROAT PLATE						1	

HOW TO MAKE USE OF THIS PARTS LIST

1.As to "#01" and "#02" refer to the "Note" given at the bottom of the respective pages.

2.Codes on the "Qty" column

- Each numeral indicates the number of parts required.
- "0.1" and "2.5" indicate the length (in meters) of the respective parts.

3.Parentheses mean that the corresponding part is a subpart that constructs an assembly part.

4.Dotted lines on the Figures indicate assembly parts.

1. リストページの# 0 1、# 0 2の印は、ページ下の"注記"の説明を参照下さい。
2. 数量欄の数字は、個数を表し、0. 1、2. 5等の数値は、長さ（単位メートル）を表します。
3. 数量欄の（ ）は、組部品を構成している子部品であることを意味します。
4. イラストページの-----枠は、組構成であることを意味します。

NUMERICAL INDEX OF PARTS

PART NO	PAGE	REF NO.
11845807	2	52
11845807	4	52
11882909	2	49
11882909	4	49
11883006	2	14
11884004	2	3
11980802	2	29
11999208	2	33
12112504	2	41
12112603	2	43
12112702	2	42
12154266	2	20
12157004	2	24
12162707	2	22
12165304	2	23
12168001	2	25
12168209	2	21
12173209	2	50
12173209	4	50
12173308	2	4
12173506	2	15
12173902	2	30
12257507	2	19
13137559	2	32
13150503	2	51
13150503	4	51
MDC270B1600	2	31
R4608J6DD00	2	44
R4608J6DF00	2	34
R4608J6ED00	4	53
R4612J6FD00	2	1
R4612J6FG00	2	26