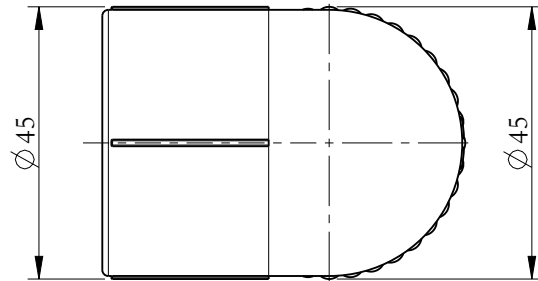
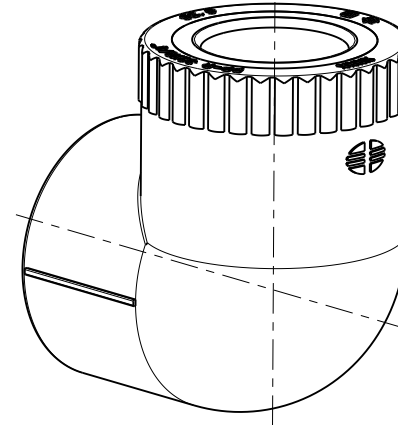
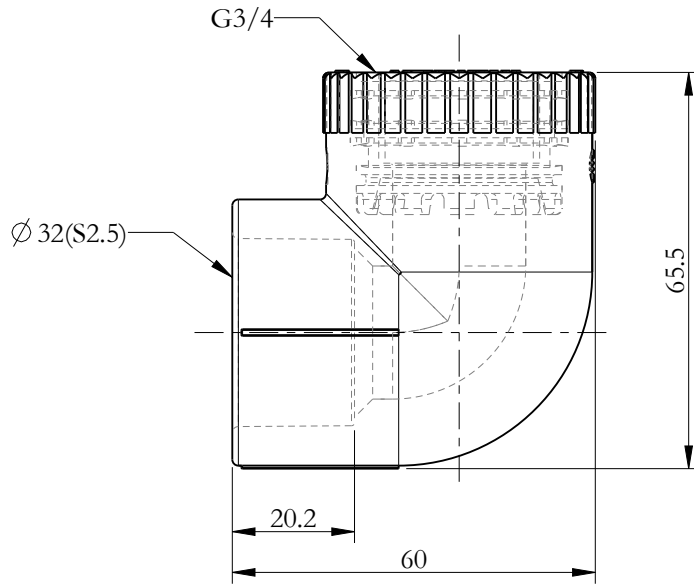


Revision No. A.1



						Material	PP-R			RIIFO
Mark	Qty	Change Record		AUTH	Date		Frame	Projection	Unit	
★		Critical Dim.	Proofread by	Qiubanglong		A4		mm	117	4: 5
()		Reference Dim.	Checked by	Diaozhenbin						elbow female PP-R/brass 90° 32-3/4
Drawn by		Weihaoning	Approved by	Linxiyong						1100043494
Process designed by		Chenyongde	Date	2023.08.28		Sheet	1	Of	1	