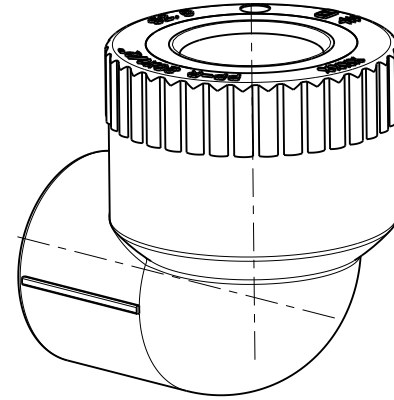
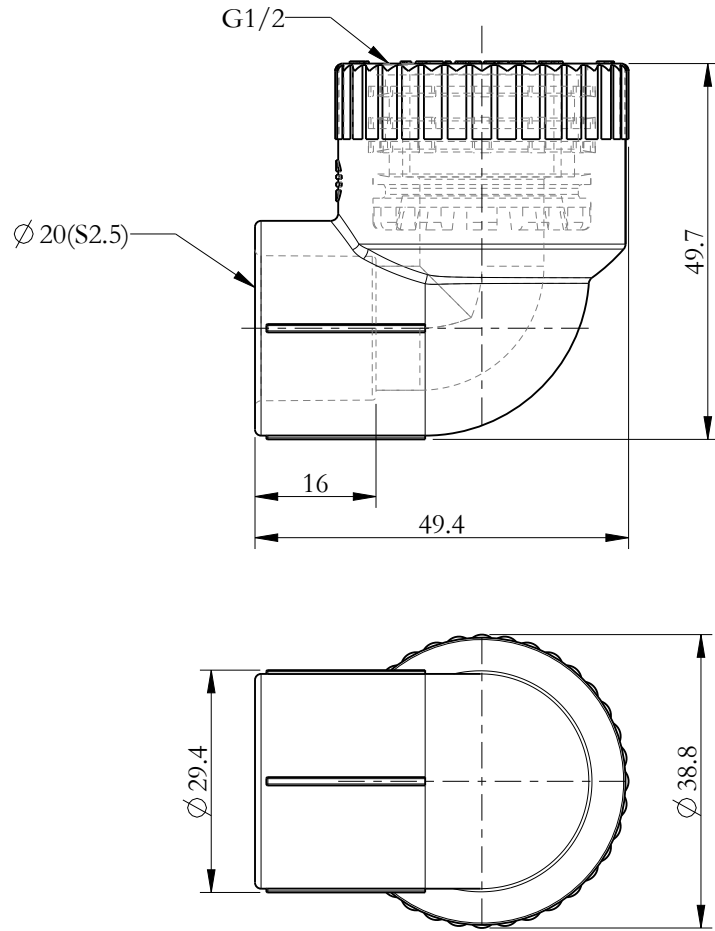


Revision No. A.1



						Material	PP-R			<b>RIIFO</b>
							Frame	Projection	Unit	
Mark	Qty	Change Record		AUTH	Date	A4		mm	67	1: 1
★		Critical Dim.	Proofread by	Qiubanglong						elbow female PP-R/brass 90° 20-1/2
( )		Reference Dim.	Checked by	Diaozhenbin						
Drawn by		Weihaoning	Approved by	Linxiyong						
Process designed by		Chenyongde	Date	2023.08.28		Sheet	1	Of	1	1100041700