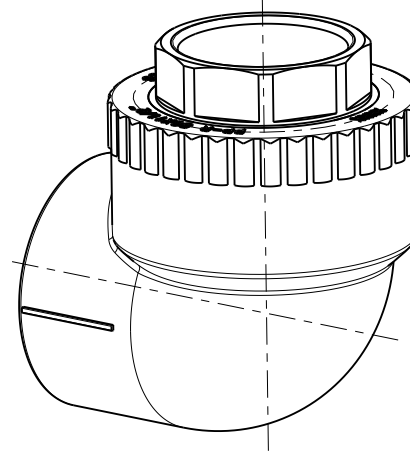
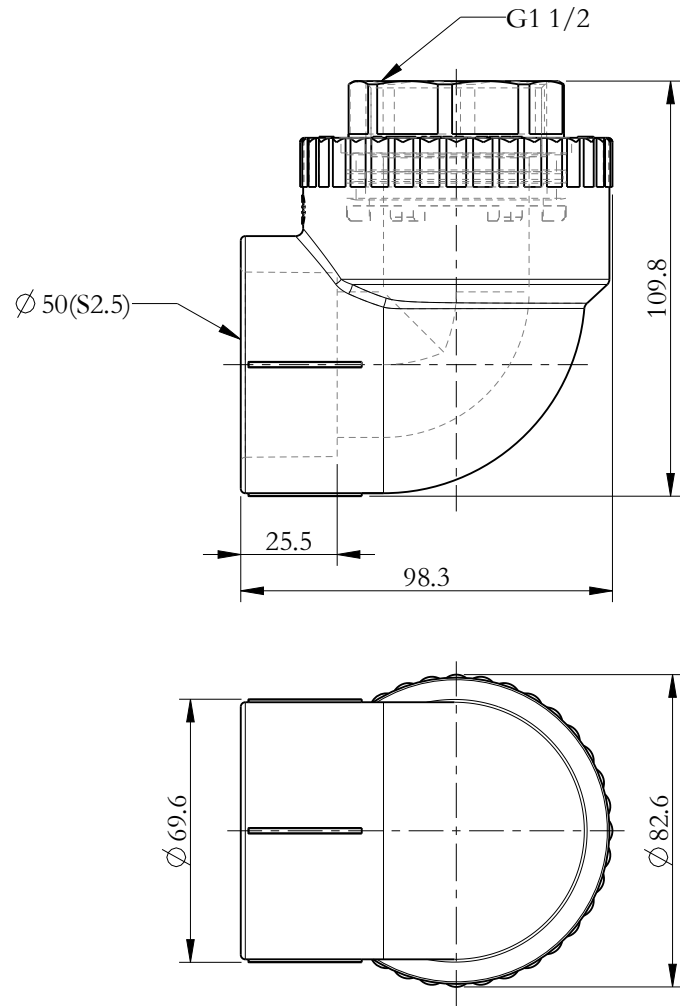


Revision No. A.1



| | | | | | | | | | | |
|---------------------|-----|----------------|--------------|-------------|------|--------------|-------|------------|-------|--|
| | | | | | | Material | PP-R | | | RIIFO |
| | | | | | | | Frame | Projection | Unit | |
| Mark | Qty | Change Record | | AUTH | Date | A4 | | mm | 497.4 | 1: 2 |
| ★ | | Critical Dim. | Proofread by | Qiubanglong | | Sheet 1 Of 1 | | | | elbow female PP-R/brass 90° 50-1 1/2 |
| () | | Reference Dim. | Checked by | Diaozhenbin | | | | | | |
| Drawn by | | Weihaoning | Approved by | Linxiyong | | 1100043497 | | | | |
| Process designed by | | Chenyongde | Date | 2023.08.28 | | | | | | |