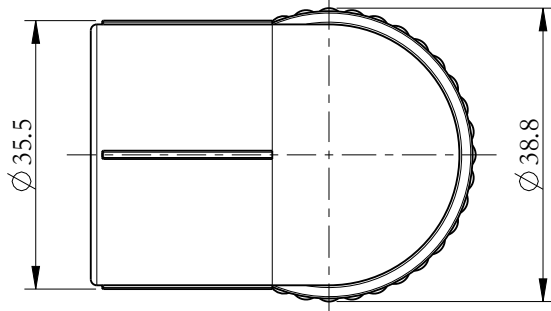
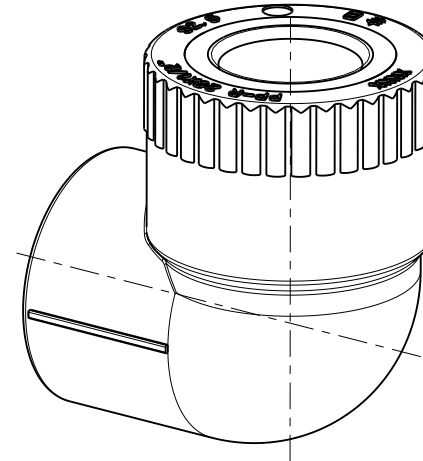
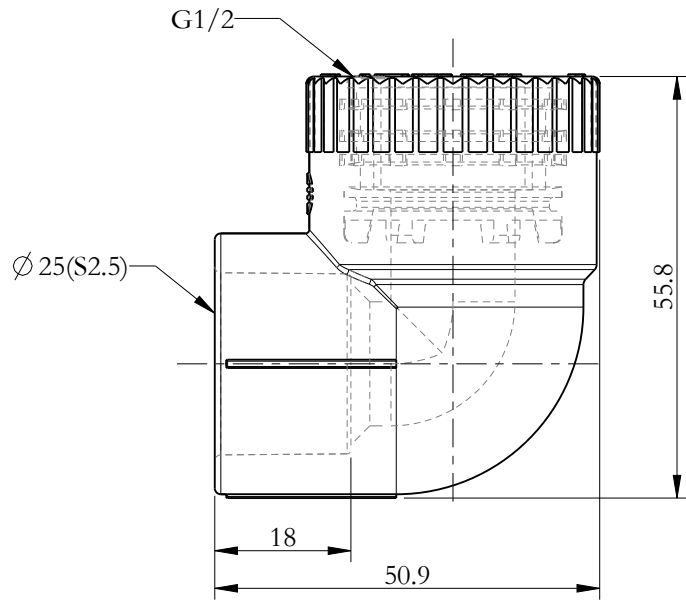


Revision No. A.1



						Material	PP-R				<b>RIIFO</b>
Mark	Qty	Change Record		AUTH	Date	Frame	Projection	Unit	NW(g)	Scale	1100041701
★		Critical Dim.	Proofread by	Qiubanglong		A4		mm	78	1: 1	
( )		Reference Dim.	Checked by	Diaozhenbin							
Drawn by		Weihaoning	Approved by	Linxiyong							
Process designed by		Chenyongde	Date	2023.08.28		Sheet	1		Of	1	