

2SC5515

Silicon NPN triple diffusion mesa type

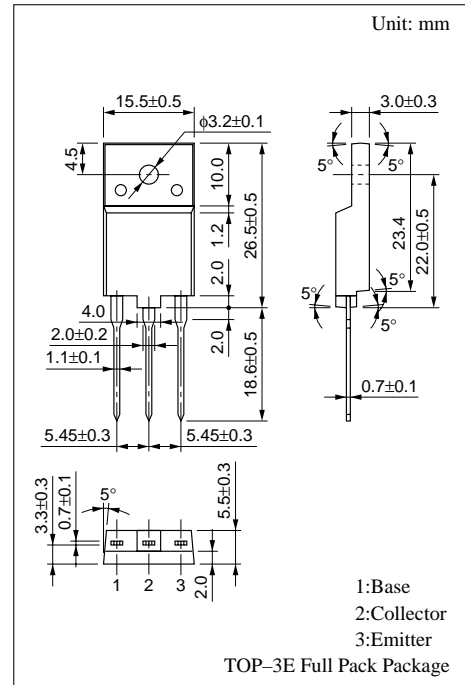
For horizontal deflection output

■ Features

- High breakdown voltage, and high reliability through the use of a glass passivation layer
- High-speed switching
- Wide area of safe operation (ASO)

■ Absolute Maximum Ratings (T_C=25°C)

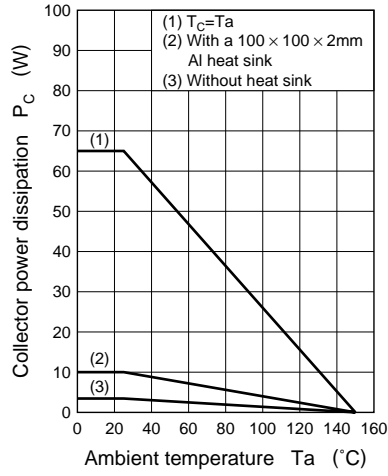
Parameter	Symbol	Ratings	Unit	
Collector to base voltage	V _{CBO}	1500	V	
Collector to emitter voltage	V _{CES}	1500	V	
	V _{CEO}	600	V	
Emitter to base voltage	V _{EBO}	5	V	
Peak collector current	I _{CP}	27	A	
Collector current	I _C	17	A	
Base current	I _B	8	A	
Collector power dissipation	P _C	T _C =25°C	65	W
		T _a =25°C	3	
Junction temperature	T _j	150	°C	
Storage temperature	T _{stg}	-55 to +150	°C	



■ Electrical Characteristics (T_C=25°C)

Parameter	Symbol	Conditions	min	typ	max	Unit
Collector cutoff current	I _{CBO}	V _{CB} = 1000V, I _E = 0			50	μA
		V _{CB} = 1500V, I _E = 0			1	mA
Emitter cutoff current	I _{EBO}	V _{EB} = 5V, I _C = 0			50	μA
Forward current transfer ratio	h _{FE}	V _{CE} = 5V, I _C = 8.5A	5		10	
Collector to emitter saturation voltage	V _{CE(sat)}	I _C = 8.5A, I _B = 2.13A			3	V
Base to emitter saturation voltage	V _{BE(sat)}	I _C = 8.5A, I _B = 2.13A			1.5	V
Transition frequency	f _T	V _{CE} = 10V, I _C = 0.1A, f = 0.5MHz		3		MHz
Storage time	t _{stg}	I _C = 8.5A, I _{B1} = 2.13A, I _{B2} = -4.25A			2.7	μs
Fall time	t _f				0.2	μs

P_C — T_a



Area of safe operation, horizontal operation ASO

