

MODEL : MB-1800 SERIES

List No : 1288-12

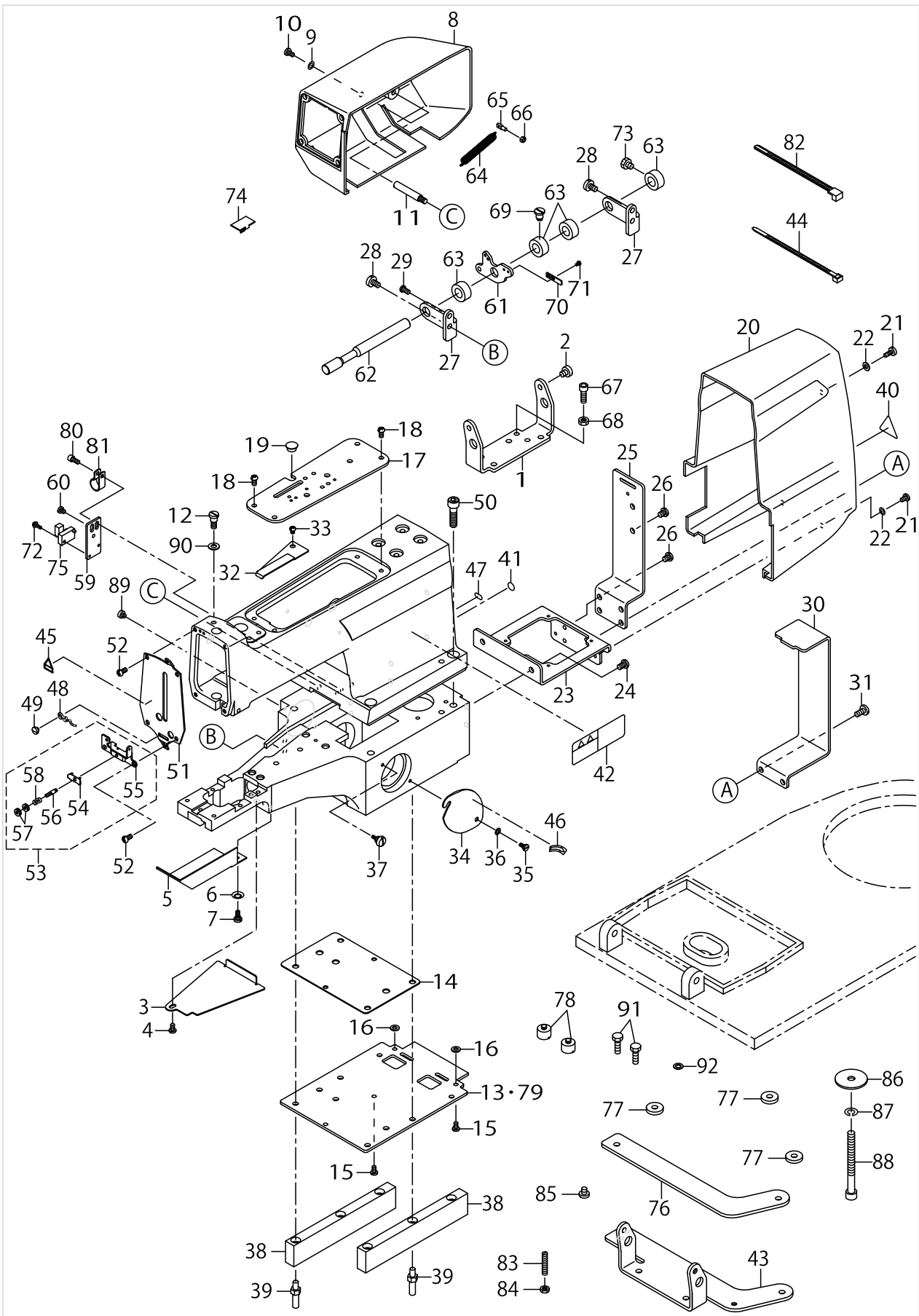
PARTS LIST

Published:05/12/2017

CONTENTS

FRAME & MISCELLANEOUS COVER COMPONENTS	1
BUTTON CLAMP MECHANISM COMPONENTS	7
LOOPER SHAFT MECHANISM COMPONENTS	9
THREAD TENSION RELEASE COMPONENTS.....	11
FEED MECHANISM COMPONENTS.....	13
PRESSER LIFTER & THREAD CUTTER COMPONENTS	15
NEEDLE BAR & NEEDLE DRIVING PULLEY SHAFT COMPONENTS	19
TRANSMISSION COMPONENTS.....	21
TABLE COMPONENTS	23
ACCESSORIE PARTS COMPONENTS	25
WIPER COMPONENTS (MB-1800A,MB-1800B,MB-1800C OPTION).....	29
BUTTON CLAMP MECHANISM COMPONENTS (FOR MB-1800A).....	31
ATTACHMENT COMPONENTS FOR MODEL MB-1800 (1).....	35
ATTACHMENT COMPONENTS FOR MODEL MB-1800 (2).....	39
ATTACHMENT COMPONENTS FOR MODEL MB-1800 (3).....	43
ATTACHMENT COMPONENTS FOR MODEL MB-1800 (4).....	45
LIST FOR INFORMATION OF CHANGE.....	47
HOW TO MAKE USE OF THIS PARTS LIST	48

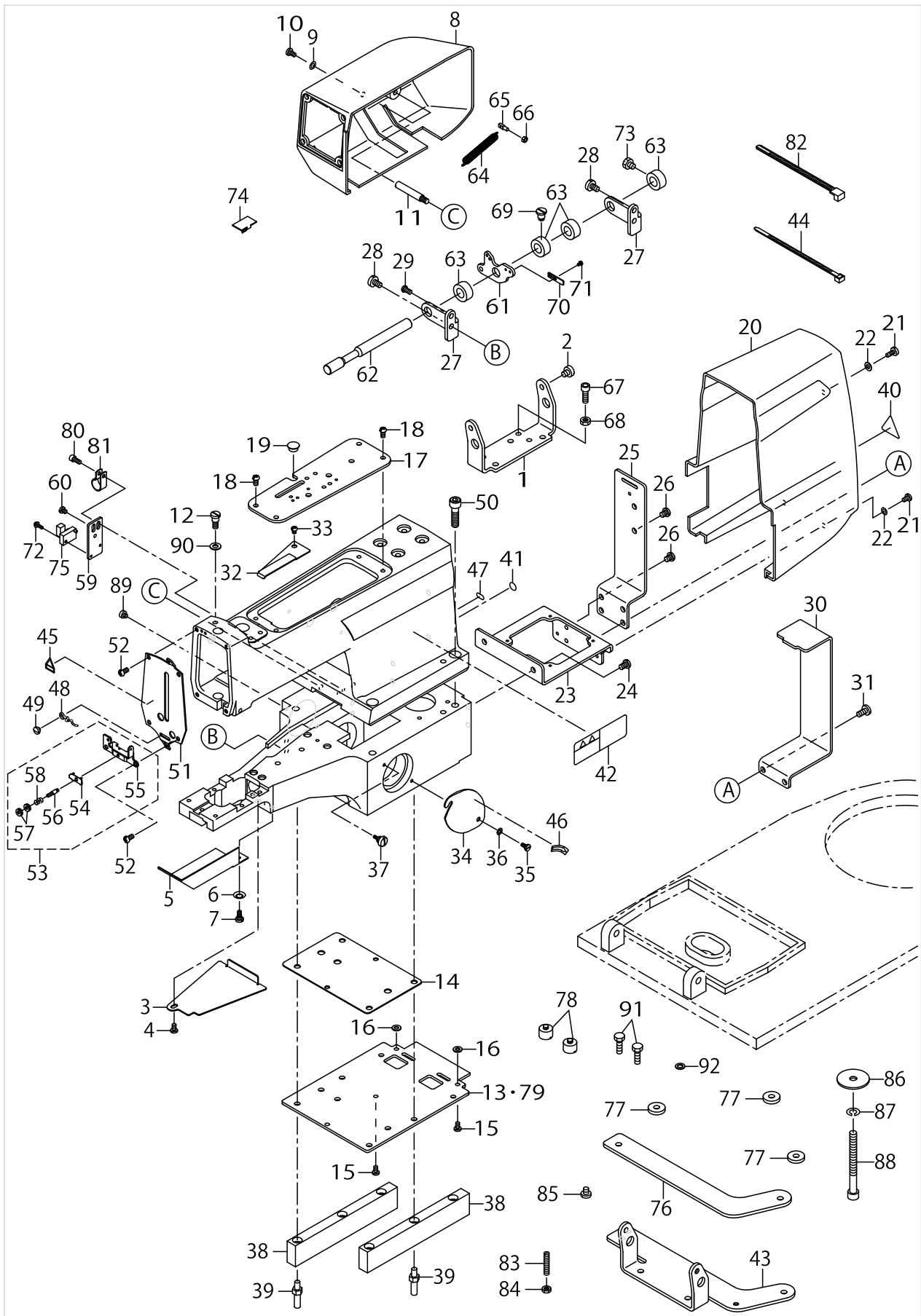
FRAME & MISCELLANEOUS COVER COMPONENTS



FRAME & MISCELLANEOUS COVER COMPONENTS

No.	Supply Code	Parts No.	Replacement	Parts name	Remarks	Choice	Step	Level	Cons	Qty	Rep. QTY
1		14600605		MACHINE SUB-BASE	EXCEPT MB-1800A					1	
2		SS6660710TP		SCREW 1/4-40 L=7						2	
3		14601801		BED COVER						1	
4		SS7110840SP		SCREW 11/64-40 L=7.8						1	
5		14600902		LOOPER COVER						1	
6		WS0650389KP		SPRING WASHER 6.5X14.0X1.7						1	
7		SD0600271SP		HINGE SCREW D=6 H=2.7						1	
8		14601009		SIDE COVER						1	
9		WP0501016SD		WASHER 5X10.5X1						2	
10		SS7110840SP		SCREW 11/64-40 L=7.8						2	
11		D8232555B00		BELT COVER SUPPORT						2	
12		SD0790641SP		HINGE SCREW D=7.94 H=6.4						1	
13	D	14600407		BASE COVER						1	
14		14600506		BASE COVER PACKING						1	
15		SS7110840SP		SCREW 11/64-40 L=7.8						4	
16		WP0501016SD		WASHER 5X10.5X1						2	
17	D	14600704		TOP COVER						1	
18		SS4120915SP		SCREW 3/16-28 L=9						4	
19		TA1050504R0		RUBBER PLUG						1	
20		14600803		TRANSMISSION COVER						1	
21		SS7110740TP		SCREW 11/64-40 L=7						3	
22		WS0510002KP		SPRING WASHER 5.1X9.2X1.3						3	
23		14602205		BASE GUIDE A						1	
24		SS4150915SP		SCREW 15/64-28 L=9						2	
25		14602304		BASE GUIDE B						1	
26		SS4150715SP		SCREW 15/64-28 L=7						4	
27		14601207		BED HINGE						2	
28		SS6151040SP		SCREW 15/64-28 L=10						3	
29		SS7150740SP		SCREW 15/64-28 L=7						1	
30		14602403		TRANSMISSION COVER GUIDE	EXCEPT MB-1800A					1	
31		SS7151210SP		SCREW 15/64-28 L=12	EXCEPT MB-1800A					2	
32		14607808		THREAD CUTTING COVER						1	
33		SS4110515SP		SCREW 11/64-40 L=5						1	
34		14601405		MANUAL PULLEY COVER						1	
35		SD0500251SP		HINGE SCREW D=5 H=2.5						1	
36		WP0531000SD		WASHER M5						1	
37		B2549372000		CLAMP SCREW A						1	
38		14601603		RUBBER BASE						2	
39		22602601		BED SCREW STUD						6	
40		CM300100001		LABEL						1	
41	R	10004109	22901805	GROUND MARK						1	1.00
42		CM301300001		SAFETY LABEL						1	
43		40010067		MACHINE_SUB_BASE	EXCLUSIVE PARTS MB-1800A					1	
44		HX00065000B		CABLE BAND						1	
45		CM300200001		ATTENTION SEAL						1	
46		CM500200001		DIRECTION LABEL.						1	

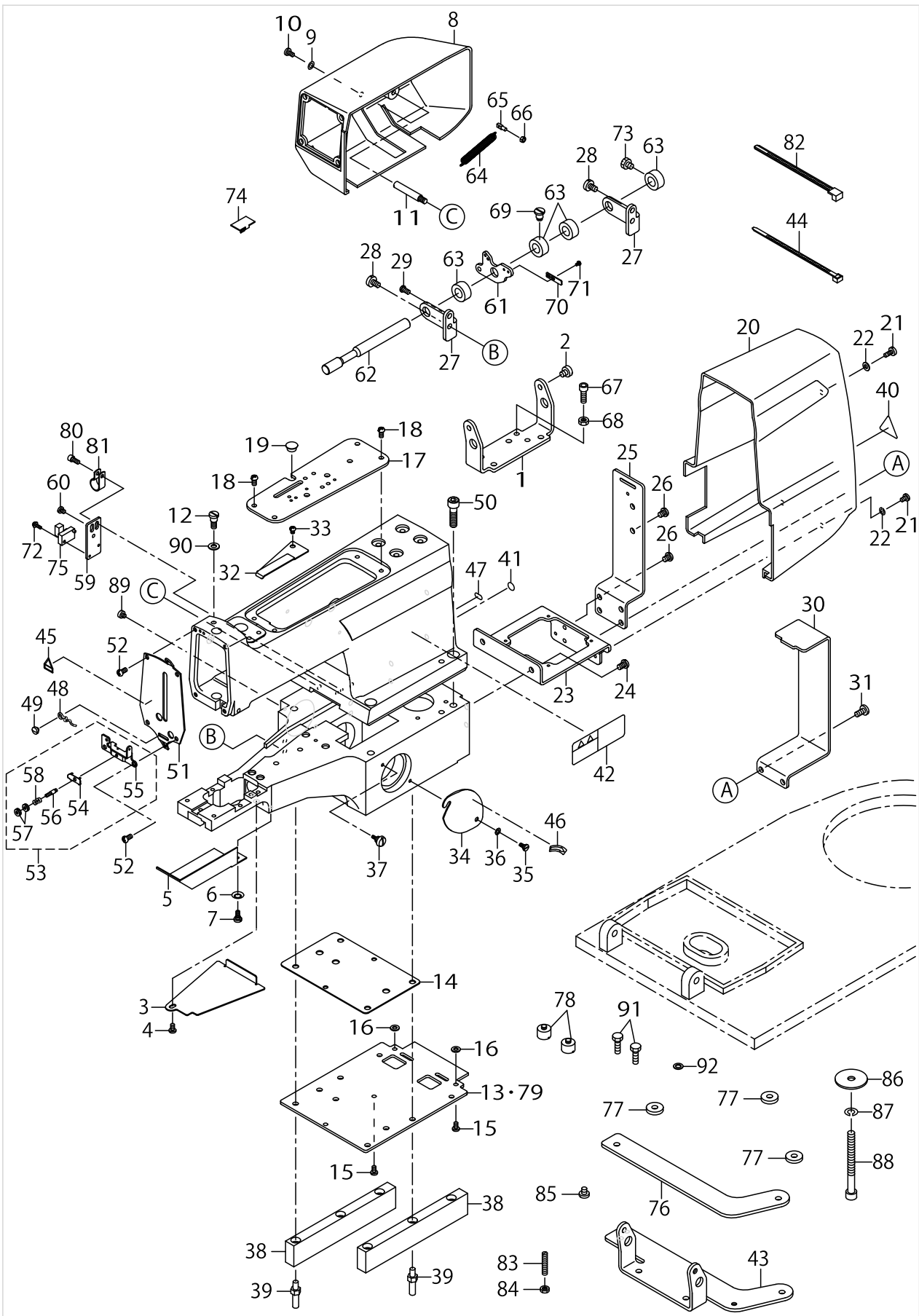
FRAME & MISCELLANEOUS COVER COMPONENTS



FRAME & MISCELLANEOUS COVER COMPONENTS

No.	Supply Code	Parts No.	Replacement	Parts name	Remarks	Choice	Step	Level	Cons	Qty	Rep. QTY
47		CM200100001		PE MARK LABEL						1	
48		26031203		THREAD GUIDE NO.4						1	
49		SS7110350SP		SCREW 11/64-40 L=3.5						1	
50		SM6083042CH		SCREW M8 L=30						4	
51		14601108		FRONT COVER						1	
52		SS4120915SP		SCREW 3/16-28 L=9						4	
53		26031351		THREAD TENSION NO.3 ASM.						1	
54	R	26031401	10129104	THREAD PRESSER PLATE				*		1	1.00
55		26031302		TENSION ADJUSTING BASE NO.3				*		1	
56	R	26031609	25002809	THREAD TENSION STUD				*		1	1.00
57	R	26031708	26031351	THREAD TENSION NUT				*		2	1.00
58	R	26031500	B1136850000	TENSION SPRING B				*		1	1.00
59		B4004210D00		X SENSOR INSTALLING PLATE						1	
60		SS7110510SP		SCREW 11/64-40 L=5						1	
61		14602007		STARTING LEVER						1	
62		14601306		STARTING LEVER SHAFT						1	
63		CS1201010SH		THRUST COLLAR ASM. D=12 W=10						4	
64		B2410280000		TENSION SPRING						1	
65		B3406581000		SUSPENSION SCREW						1	
66		NS6090310SP		NUT 9/64-40						1	
67		SS6151812TP		SCREW15/64-28L=18						1	
68		NS6150430SP		NUT 15/64-28						1	
69		SD0800681SP		HINGE SCREW D=8 H=6.8						1	
70		MAO25026000		SENSOR PLATE						1	
71		SS6060440TP		SCREW 3/32-56 L=3.5						2	
72		SL4031091SC		SCREW M3X10						1	
73		SS9660720SP		SCREW 1/4-40 L=7						1	
74	D	HX00237000A		CORD KEEP						1	
75		HD00057000A		PHOTO SENSOR						1	
76	D	14611206		BASE SPACER	EXCLUSIVE PARTS MB-1800C					1	
77		WP0704016SP		WASHER 7X20X4	EXCLUSIVE PARTS MB-1800A, MB-1800C					3	
78		14611305		BASE COVER STUD	EXCLUSIVE PARTS MB-1800A, MB-1800C					2	
79		14611800		BASE COVER BR	EXCLUSIVE PARTS MB-1800A, MB-1800C					1	
80		SS6111052TP		SCREW						1	
81		HX00150000F		CABLE CLIP						1	
82		HX00292000A		CABLE BAND						1	
83		SS8153010SR		SCREW15/64-28L=30	EXCLUSIVE PARTS MB-1800A, MB-1800C					2	
84		NS6150310SP		NUT 15/64-28	EXCLUSIVE PARTS MB-1800A, MB-1800C					2	
85		SS7150740SP		SCREW 15/64-28 L=7	EXCLUSIVE PARTS MB-1800A, MB-1800C					3	

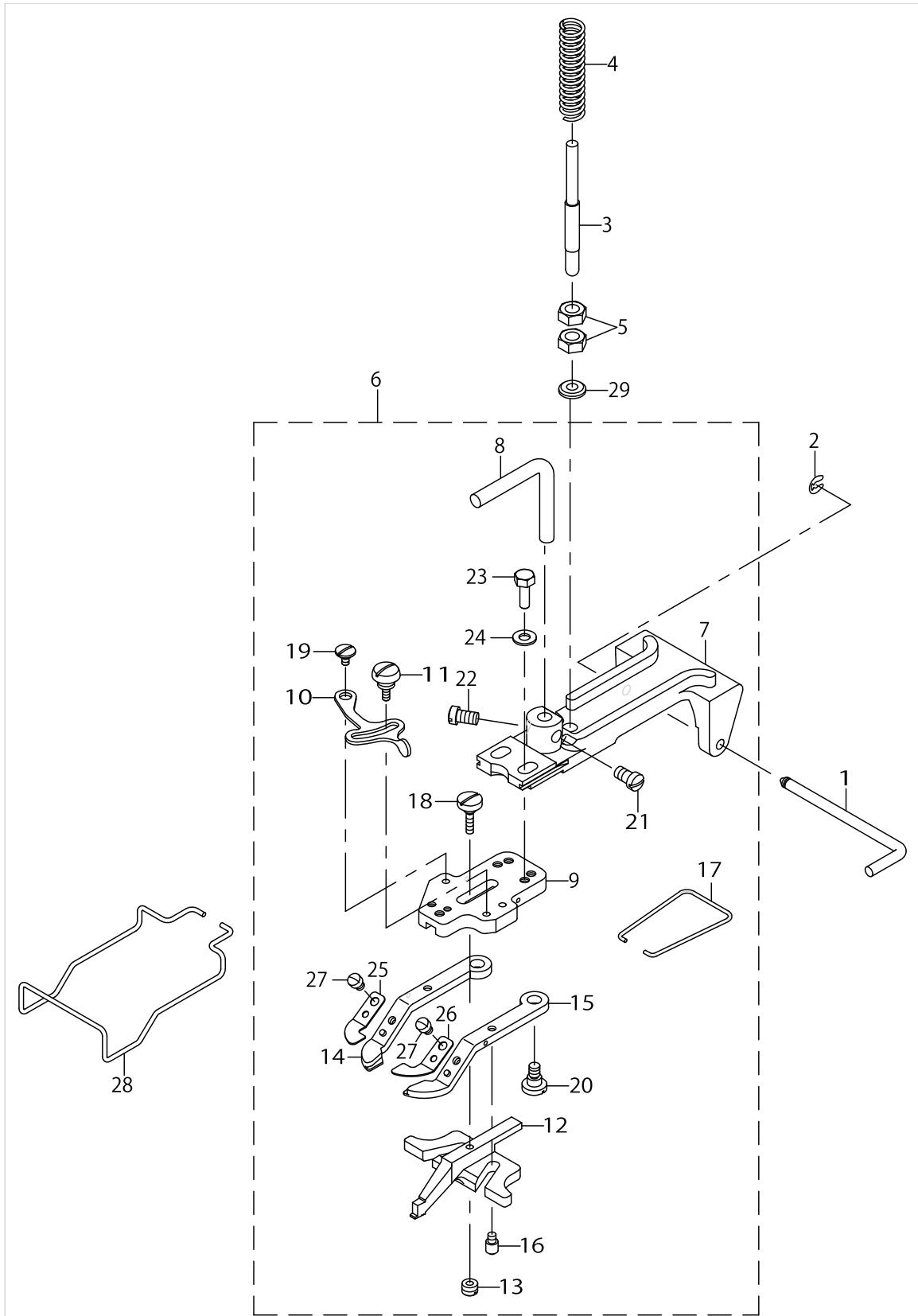
FRAME & MISCELLANEOUS COVER COMPONENTS



FRAME & MISCELLANEOUS COVER COMPONENTS

No.	Supply Code	Parts No.	Replacement	Parts name	Remarks	Choice	Step	Level	Cons	Qty	Rep. QTY
86		17008004		WASHER	EXCLUSIVE PARTS MB-1800A, MB-1800C					2	
87		WS0820002KP		SPRING WASHER	EXCLUSIVE PARTS MB-1800A, MB-1800C					1	
88		SM6088502TP		SCREW M8 L=85	EXCLUSIVE PARTS MB-1800A, MB-1800C					1	
89		SS6110420TP		SCREW 11/64-40 L=4.8						1	
90		WP0621016SD		WASHER 6.2X13X1	EXCLUSIVE PARTS MB-1800A, MB-1800C					1	
91		SM9062003SC		SCREW M6 L=20	EXCLUSIVE PARTS MB-1800A					2	
92		WP0651056SD		WASHER 6.5X11X1	EXCLUSIVE PARTS MB-1800A					1	

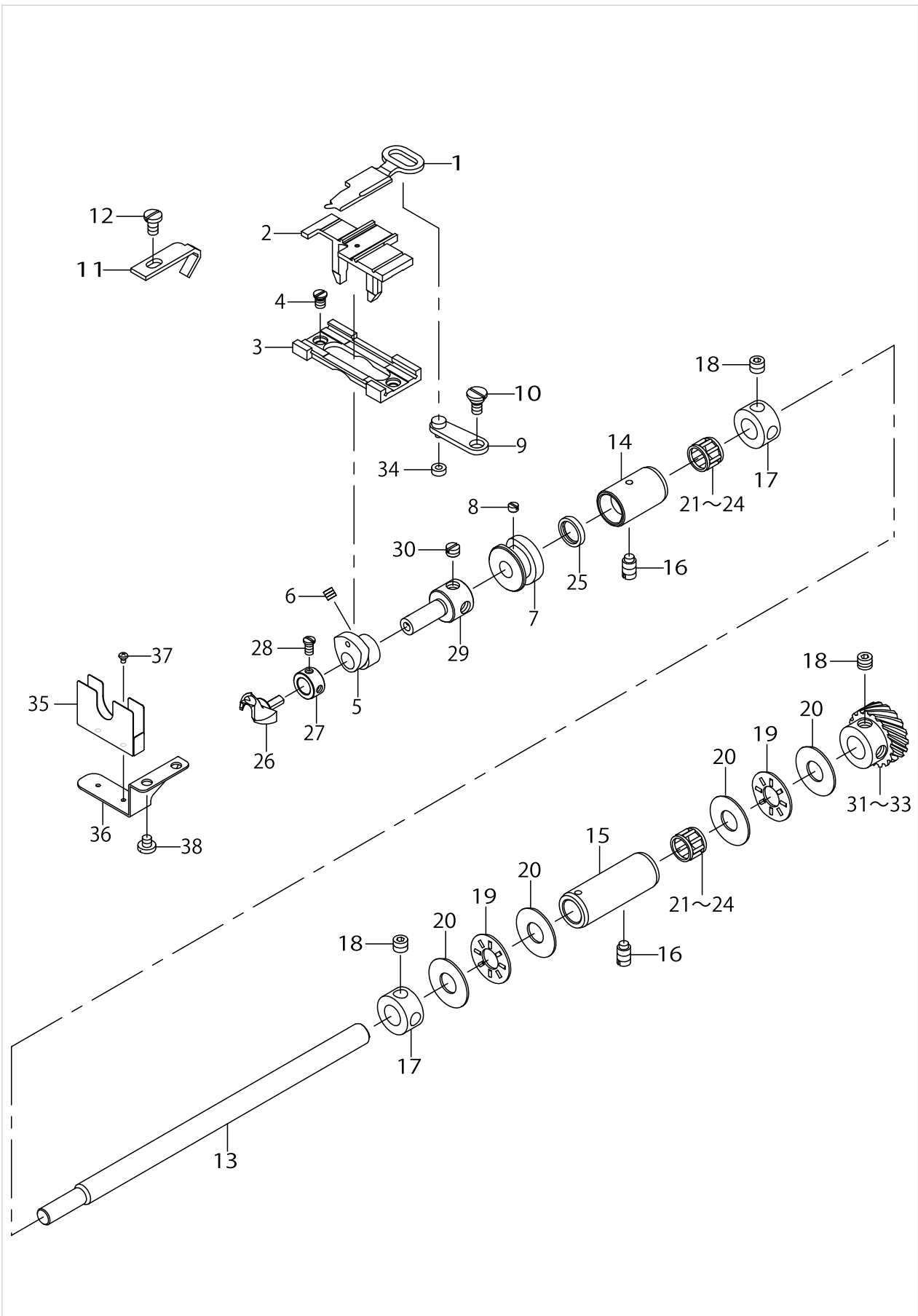
BUTTON CLAMP MECHANISM COMPONENTS



BUTTON CLAMP MECHANISM COMPONENTS

No.	Supply Code	Parts No.	Replacement	Parts name	Remarks	Choice	Step	Level	Cons	Qty	Rep. QTY
1		26025205		HINGE PIN						1	
2		B2541372000		SNAP RING						1	
3		26027003		BUTTON CLAMP P- RESSURE ADJUSTING						1	
4		26027102		PRESSURE ADJUSTING SPRING						1	
5		NS6660511SP		NUT 1/4-40						2	
6		14602551		FLAT BUTTON COMPL.						1	
7		26025502		BUTTON CLAMP HOLDER				*		1	
8		14602502		BUTTON CLAMP LIFTING HOOK				*		1	
9	R	40023556	14146302	JAW LEVER HOLDER				*		1	1.00
10	R	26025700	B2548372000	SNAP FASTENER C- LAMP STOP LEVER				*		1	1.00
11		26025809		CLAMP SCREW A				*		1	
12		26025908		BUTTON CLAMP SLIDE				*		1	
13		26026005		SCREW B				*		1	
14	R	26026104	B2555372000	BUTTON CLAMP LE- VER JAW LEFT A				*		1	1.00
15	R	26026302	B2557372000	BUTTON CLAMP LE- VER JAW RIGHT				*		1	1.00
16		26026609		BUTTON CLAMP STOP PIN				*		2	
17	R	26026708	B2561372000	BUTTON CLAMP SPRING				*		1	1.00
18		SD0550301SP		HINGE SCREW D=5.5 H=3				*		1	
19		SD0550181SP		HINGE SCREW D=5.50 H=1.8				*		1	
20		SD0640391TP		HINGE SCREW D=6.35 H=3.9				*		2	
21		SS7150940SP		SCREW 15/64-28 L=9				*		1	
22		SS7150940SP		SCREW 15/64-28 L=9				*		1	
23		SS9621413SP		SCREW 3/16-32 L=13.5				*		2	
24		WP0501016SD		WASHER 5X10.5X1				*		2	
25	R	26026203	B2556372000	SPRING LEFT				*		1	1.00
26	R	26026401	B2558372000	SPRING RIGHT				*		1	1.00
27		SS7090410SP		SCREW 9/64-40 L=3.5				*		2	
28		26027409		FINGER GUARD						1	
29		14602809		SPRING HOLDING PLATE						1	

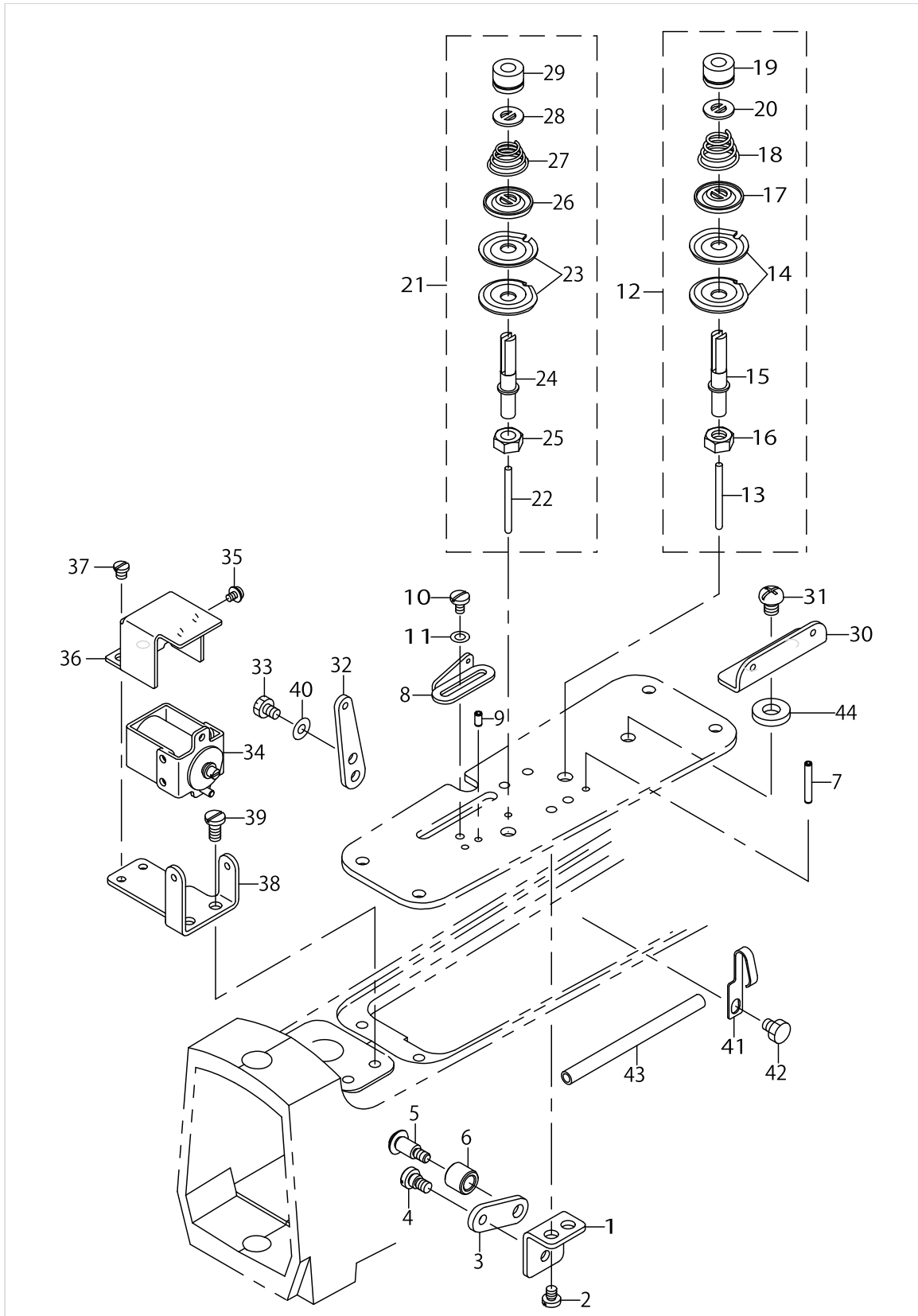
LOOPER SHAFT MECHANISM COMPONENTS



LOOPER SHAFT MECHANISM COMPONENTS

No.	Supply Code	Parts No.	Replacement	Parts name	Remarks	Choice	Step	Level	Cons	Qty	Rep. QTY
1		26013805		YOKE SLIDE						1	
2	R	B1236373000	26013607	POSITIONING FINGER YOKE SLIDE						1	1.00
3	R	B1235373000	26013409	YOKE SLIDE INSERT						1	1.00
4		SS1110710SP		SCREW 11/64-40 L=7						2	
5	R	B1234372A00	26003103	LOOP POSITIONING FINGER CAM A						1	1.00
6		SS8110410TP		SCREW 11/64-40 L=3.5						2	
7		26015404		LOOP POSITIONING FINGER CAM REAR						1	
8		SS8110310SP		SCREW 11/64-40 L=2.8						2	
9		26003756		LOOP POSITIONING FINGER LEVER						1	
10		SD0640241SP		HINGE SCREW D=6.35 H=2.4						1	
11		26015206		NEEDLE GUIDE						1	
12		SS7110840SP		SCREW 11/64-40 L=7.8						1	
13		14603906		LOOPER SHAFT						1	
14		14604003		LOOPER SHAFT BUSHING FRONT						1	
15		14604102		LOOPER SHAFT BUSHING REAR						1	
16		SS8151150TP		SCREW 15/64-28 L=10.5						2	
17		CS1001011SH		THRUST COLLAR						2	
18		SS8660512TP		SCREW 1/4-40 L=5						4	
19		11272408		THRUST COLLAR						2	
20		16992604		THRUST WASHER						4	
21		SB31000080A		BEARING	SELECTIVE PARTS					2	
22		SB31000080B		BEARING	SELECTIVE PARTS					2	
23		SB31000080C		BEARING	SELECTIVE PARTS					2	
24		SB31000080D		BEARING	SELECTIVE PARTS					2	
25		10108009		OIL SEAL						1	
26		B1239372000		LOOPER						1	
27		CS0790721TH		THRUST COLLAR D=7.94 W=7						1	
28		SS7090620TP		SCREW 9/64-40 L=6.1						1	
29		26015503		CAM & LOOPER SLEEVE						1	
30		SS8150410TP		SCREW 15/64-28 L=4.0						2	
31		14604409		TOOTHED WHEEL D	SELECTIVE PARTS					1	
32		14604508		TOOTHED WHEEL C	SELECTIVE PARTS					1	
33		14604607		TOOTHED WHEEL B	SELECTIVE PARTS					1	
34	R	B1232372000	26003905	LOOP POSITIONING FINGER LEVER						1	1.00
35		40013923		GREASE_COVER						1	
36		40013924		GREASE_STAY						1	
37		SM4020301SC		SCREW M2X0.4 L=3						2	
38		SS7110410SP		SCREW 11/64-40 L=4						2	

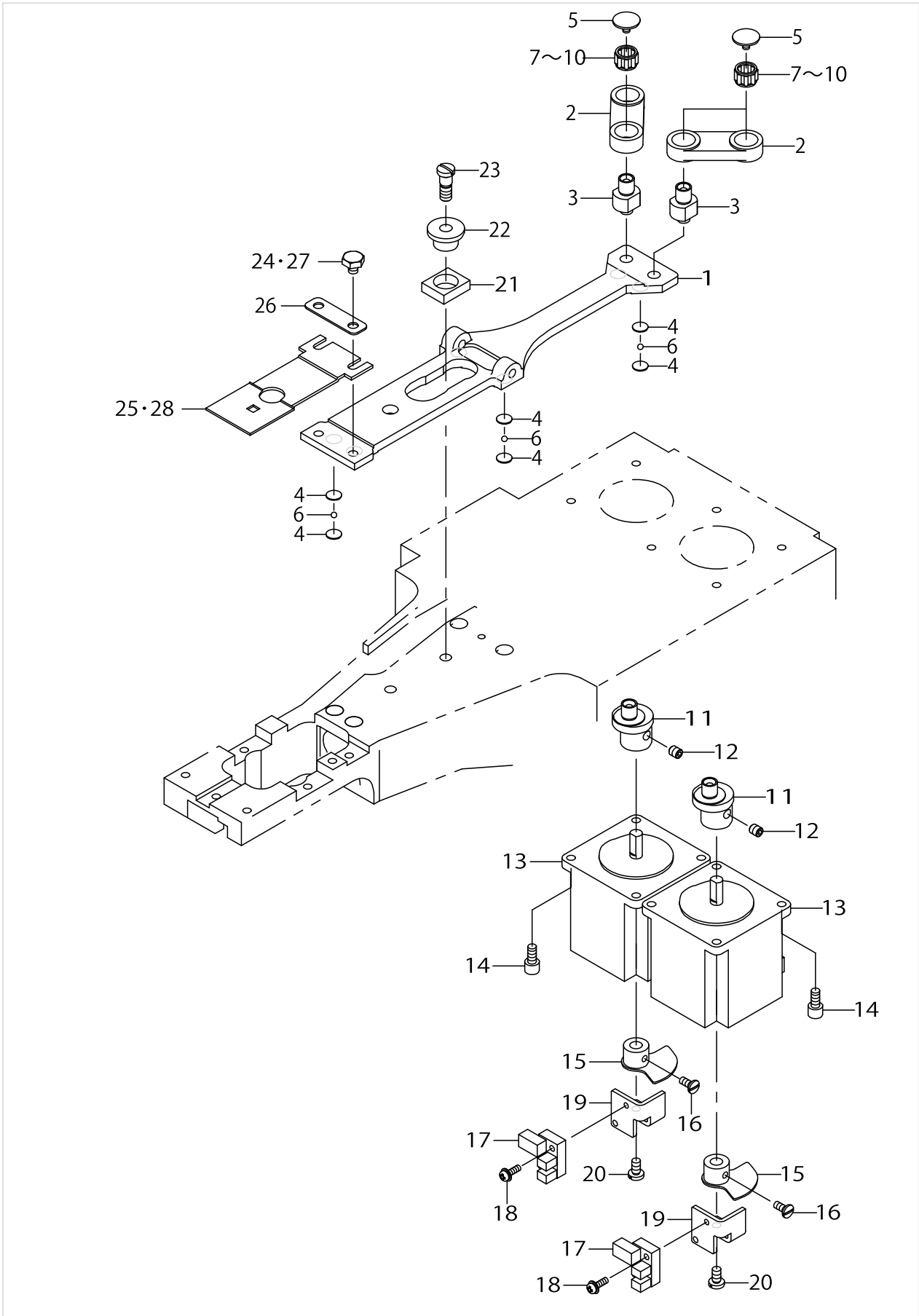
THREAD TENSION RELEASE COMPONENTS



THREAD TENSION RELEASE COMPONENTS

No.	Supply Code	Parts No.	Replacement	Parts name	Remarks	Choice	Step	Level	Cons	Qty	Rep. QTY
1		14607907		FITTING PLATE						1	
2		SS7110510SP		SCREW 11/64-40 L=5						2	
3		B1616210000		SUSPENSION LINK						1	
4		SD0600322SD		HINGE SCREW D=6 H=3.2						1	
5		SD0641003SP		HINGE SCREW D=6.35 H=10						1	
6		13858808		THREAD CUTTER A- UXILIARY ROLLER						1	
7		PS0300201KP		SPRING PIN 3.0X20						2	
8		B1126111000		THREAD GUIDE						1	
9		PS0300062KH		SPRING PIN 3X6						2	
10		SS7090610SP		SCREW 9/64-40 L=6						1	
11		WP0430800SD		WASHER M4						1	
12		14608152		FIRST THREAD TENSION ASM.						1	
13		13760707		PIN				*		1	
14		B2016372000		TENSION DISC				*		2	
15		B2019372000		TENSION POST NO.2				*		1	
16		NS6160520SP		NUT 1/4-24				*		1	
17		B3132012000		TENSION DISC HOLDER				*		1	
18		B3129012A00		TENSION SPRING				*		1	
19		B3116125000		TENSION NUT				*		1	
20		B3120125000		ROTATING STOPPER				*		1	
21		14608251		SECOND THREAD TENSION ASM.						1	
22		13760707		PIN				*		1	
23		B2016372000		TENSION DISC				*		2	
24		B2019372000		TENSION POST NO.2				*		1	
25		NS6160520SP		NUT 1/4-24				*		1	
26		B3132012000		TENSION DISC HOLDER				*		1	
27		B2021372000		THREAD TENSION SPRING NO.2				*		1	
28		B3120125000		ROTATING STOPPER				*		1	
29		B3116125000		TENSION NUT				*		1	
30		26021402		THREAD GUIDE NO.1						1	
31		SS4150715SP		SCREW 15/64-28 L=7						1	
32		14605208		ADJUSTING PLATE						1	
33		SS9110620TP		SCREW						2	
34		M85096300B0		SOLENOID ASM.						1	
35		SL4030591SC		SCREW M3X5						2	
36		14605109		SOLENOID FITTING PLATE						1	
37		SS7110410SP		SCREW 11/64-40 L=4						2	
38		14605307		SOLENOID THREAD GUIDE						1	
39		SS6121050SP		SCREW 3/16-28 L=9.5						2	
40		WP0450826SC		WASHER 4.5X10X0.8						2	
41		26230409		LUBRICATING OIL WICK STOPPER						1	
42		SS9120643TP		SCREW 3/16-28 L=6						1	
43		BP600000000		VINYL PIPE						.08	
44		WP0753016SZ		WASHER 7.5X16.0X3.0						1	

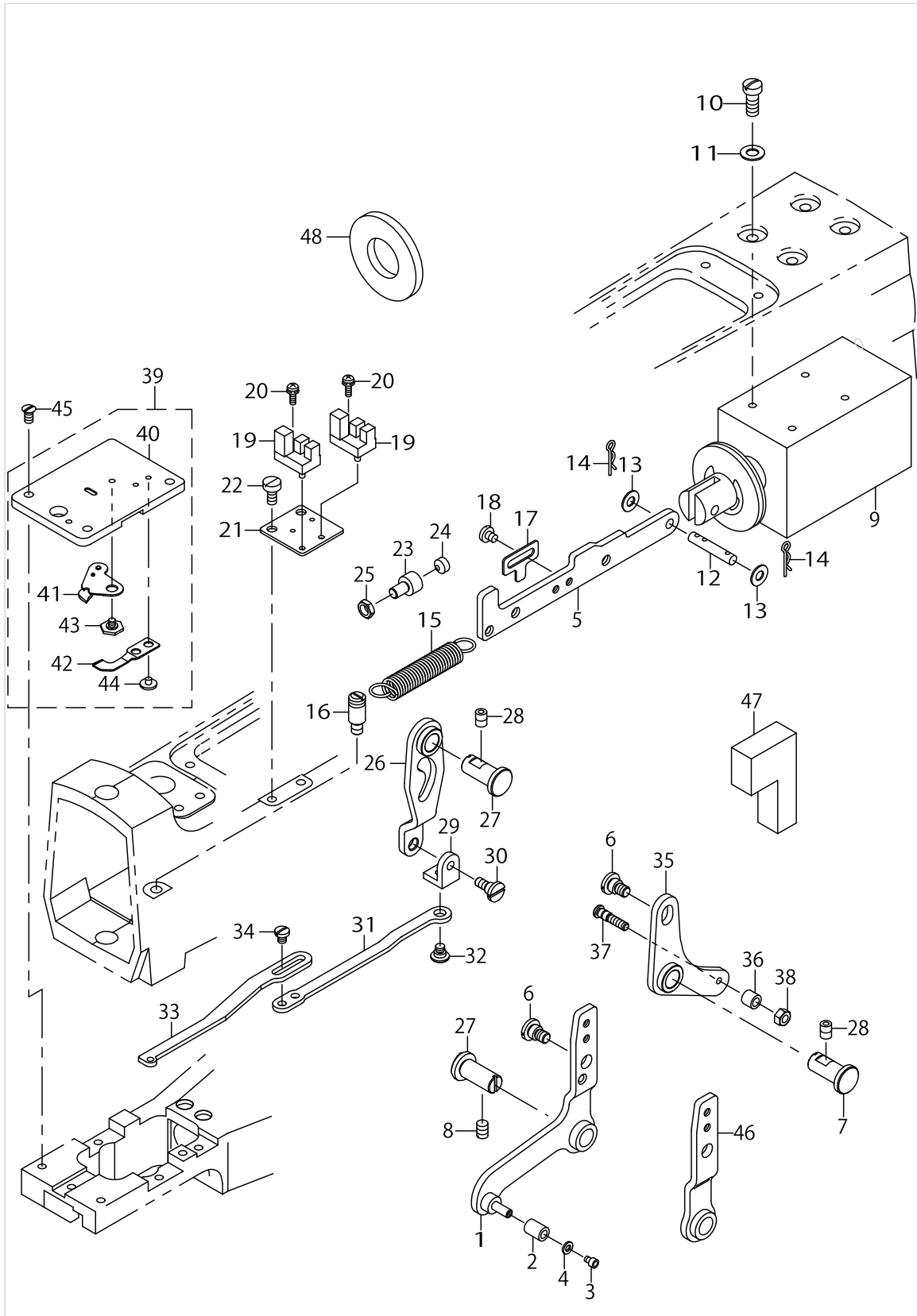
FEED MECHANISM COMPONENTS



FEED MECHANISM COMPONENTS

No.	Supply Code	Parts No.	Replacement	Parts name	Remarks	Choice	Step	Level	Cons	Qty	Rep. QTY
1	R	14606602	40059861	FEED PLATE						1	1.00
2		14606701		SLIDE PLATE CONNECTING ROD						2	
3		14606909		SLIDE PLATE CONNECTING STUD						2	
4		14607006		BALL HOLDING PLATE						12	
5		B1903552000		LEFT SCREW						4	
6		B2549280000		WORK CLAMP FOOT MOUNTING BASE						6	
7		B1905541A00		NEEDLE BEARING A	SELECTIVE PARTS					4	
8		B1905541B00		NEEDLE BEARING	SELECTIVE PARTS					4	
9		B1905541C00		NEEDLE BEARING	SELECTIVE PARTS					4	
10		B1905541D00		NEEDLE BEARING	SELECTIVE PARTS					4	
11		14606800		FEED CRANK						2	
12		SM8050602TP		SCREW M5 L=6						4	
13		M8901630000		FEED PULSE MOTOR						2	
14		SS6111052TP		SCREW						8	
15		14507156		DETECTION PLATE ASM.						2	
16		SS7090850SP		SCREW 9/64-40 L=8						4	
17		HD00057000A		PHOTO SENSOR						2	
18		SL4031091SC		SCREW M3X10						2	
19		40102001		SENSOR FITTING PLATE						2	
20		SS7110840SP		SCREW 11/64-40 L=7.8						2	
21		26024604		INDICATOR PIN BEARING BLOCK						1	
22		26024703		CROSSWISE FEED INDICATOR PIN						1	
23		SD0640641SP		HINGE SCREW D=6.35 H=6.4						1	
24		SS9120643TP		SCREW 3/16-28 L=6						2	
25		B2529373000		FEED PLATE SMALL BUTTON						1	
26		26025106		SPACER						1	
27		SS9120623TP		SCREW	EXCLUSIVE PARTS MB-1800A, MB-1800C					2	
28		D2529373B00A		FEED PLATE MIDDLE BUTTON	FOR MB-1800ΔM					1	

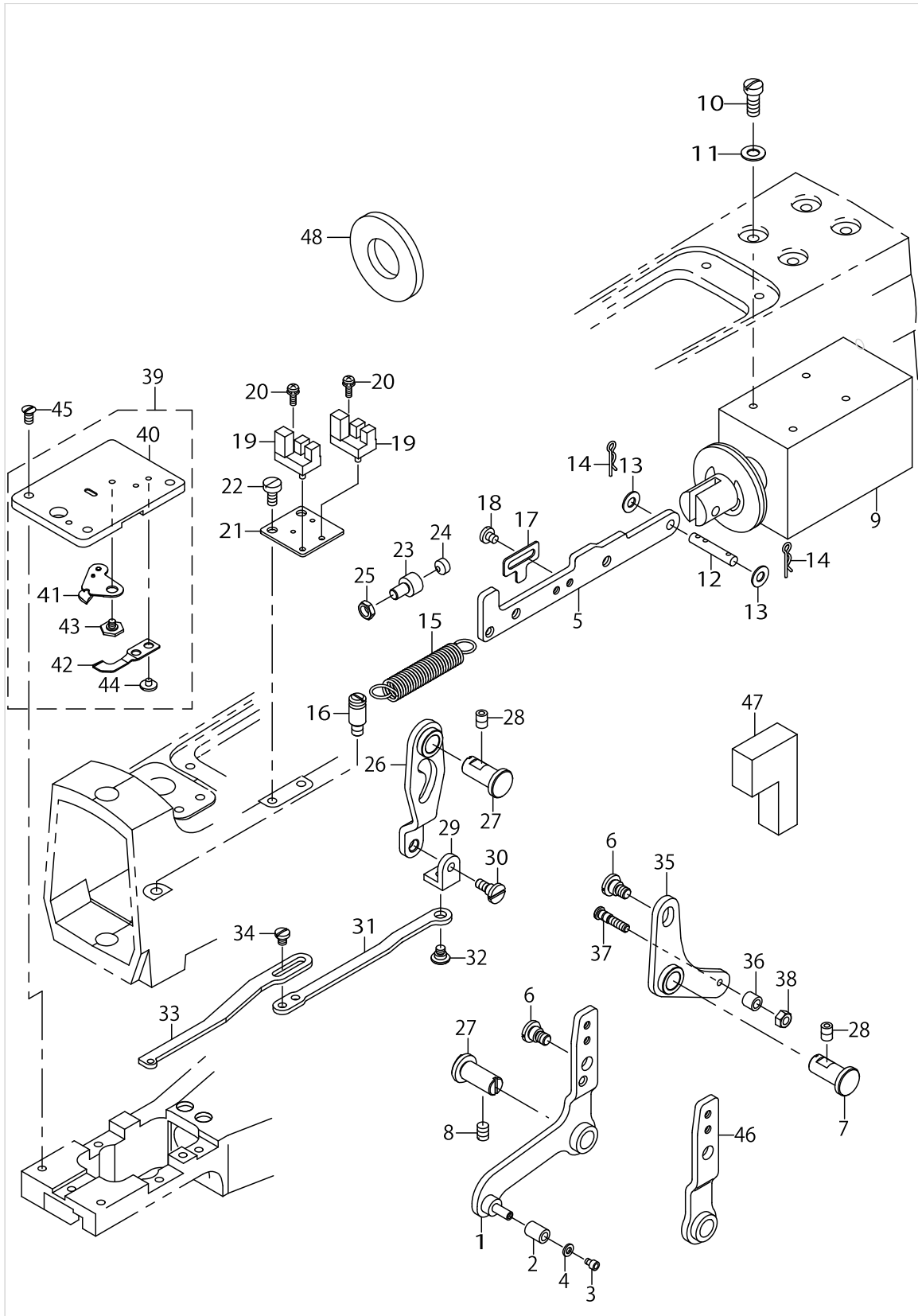
PRESSER LIFTER & THREAD CUTTER COMPONENTS



PRESSER LIFTER & THREAD CUTTER COMPONENTS

No.	Supply Code	Parts No.	Replacement	Parts name	Remarks	Choice	Step	Level	Cons	Qty	Rep. QTY
1		14602759		PRESSER LIFTING LEVER ASM.						1	
2		B4417372000		BUTTON CLAMP LIFTING ROD ROLLER						1	
3		SM6030402TP		SCREW M3X0.5 L=4						1	
4		WP0371026SD		WASHER 3.7X7X1						1	
5		14602601		PRESSER LIFTING LINK						1	
6		SD0790433TP		HINGE SCREW D=7.94 H=4.3						2	
7		14603104		FULCRUM SHAFT						1	
8		SS8150822TP		SCREW 15/64-28 L=8						1	
9		M85086300A0		PRESSER LIFTER SOLENOID						1	
10		SS7661540SP		SCREW 1/4-40 L=15.0						4	
11		WP0650876SD		WASHER 6.5X13X0.8						4	
12		B1513210D00		MAGNET PIN						1	
13		WP0560860SE		WASHER 5.6X12X0.8						2	
14		B1515210D00		PIN						2	
15		16627507		SPRING						1	
16		26212308		SCREW						1	
17		14603005		PRESSER LIFTER SENSOR SLIT						1	
18		SS7110510SP		SCREW 11/64-40 L=5						2	
19		HD000570000		SENSOR						2	
20		SL4031091SC		SCREW M3X10						2	
21		14603401		SENSOR FITTING PLATE						1	
22		SS6121050SP		SCREW 3/16-28 L=9.5						2	
23	R	B1453761000	40009095	SWINGARMSTOPPER						1	1.00
24		B1432761000		SWING ARM STOPPER RUBBER						1	
25		NS6150430SP		NUT 15/64-28						1	
26		14605653		THREAD CUTTER ARM ASM.						1	
27		14603104		FULCRUM SHAFT						2	
28		SS8150822TP		SCREW 15/64-28 L=8						2	
29		B2413373N00		CONNECTING METAL						1	
30		SD0640451TP		HINGE SCREW D=6.35 H=4.5						1	
31		14605802		CONNECTING PLATE B						1	
32		SD0630272SP		HINGE SCREW						1	
33		14605703		CONNECTING PLATE A						1	
34		SS7110510SP		SCREW 11/64-40 L=5						2	
35		40096978		THREAD_CUTTER_ASSY						1	
36		23517808		NEEDLE CAM ROLLER D						1	
37		40096866		ROLLER_SHAFT						1	
38		NS6110420SP		NUT 11/64-40						1	
39		B12413730B0		THROAT PLATE ASM.						1	
40		B1241373000		THROAT PLATE				*		1	
41		B24063730A0		MOVING KNIFE ASM.				*		1	
42		B2410373000		COUNTER KNIFE				*		1	
43		SD0600095TH		HINGE SCREW D=6 H=0.85				*		1	
44		SS7080310SP		SCREW 1/8-44 L=3.0				*		2	
45		SS2110920TP		SCREW 11/64-40 L=8.5						3	

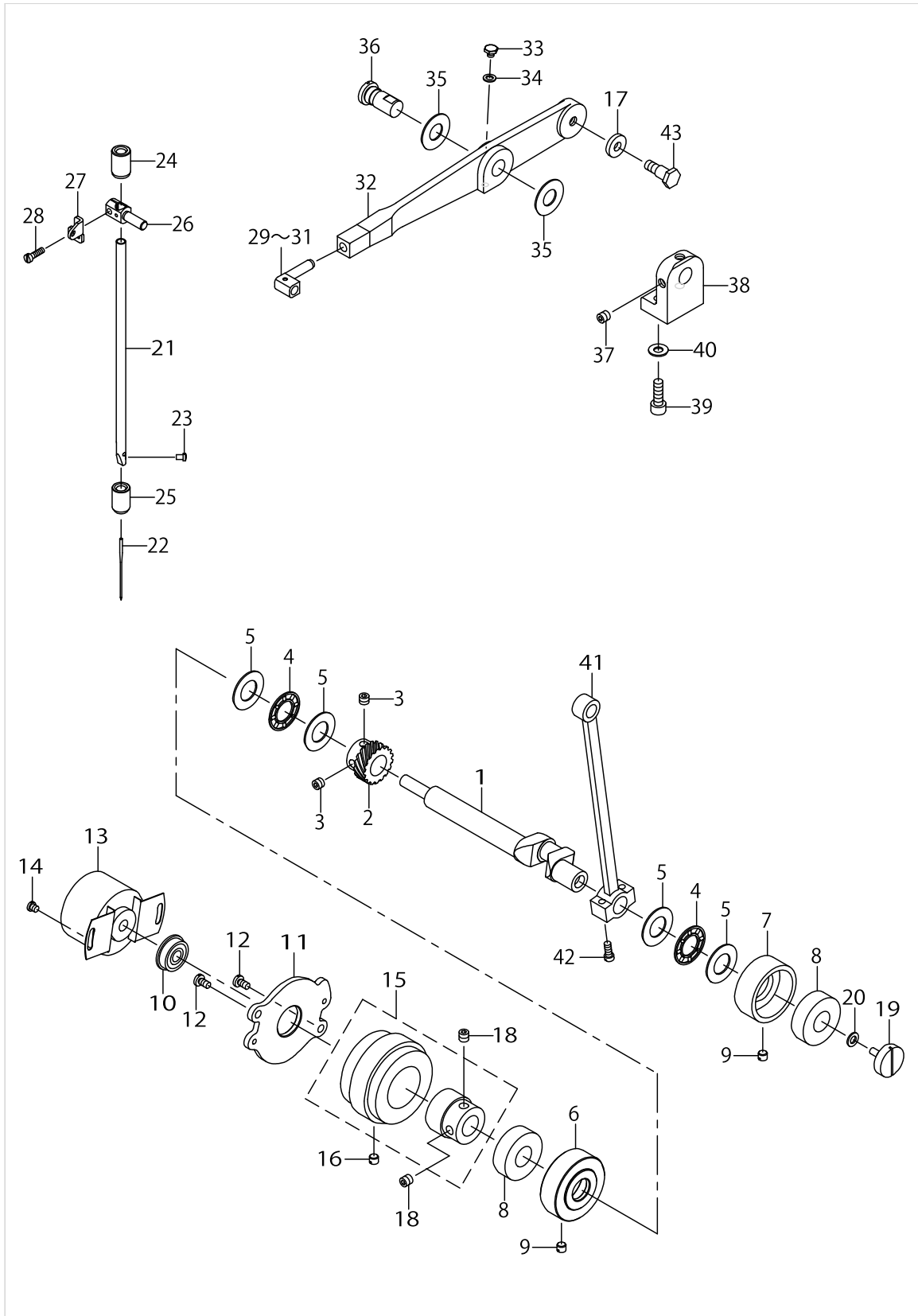
PRESSER LIFTER & THREAD CUTTER COMPONENTS



PRESSER LIFTER & THREAD CUTTER COMPONENTS

No.	Supply Code	Parts No.	Replacement	Parts name	Remarks	Choice	Step	Level	Cons	Qty	Rep. QTY
46		14611156		PRESSER LIFTING LEVER ASM.	EXCLUSIVE PARTS MB-1800A, MB-1800C					1	
47		13766308		OIL TANK A FELT						1	
48		14517601		SOLENOID CUSHION	EXCLUSIVE PARTS MB-1800A, MB-1800C					1	

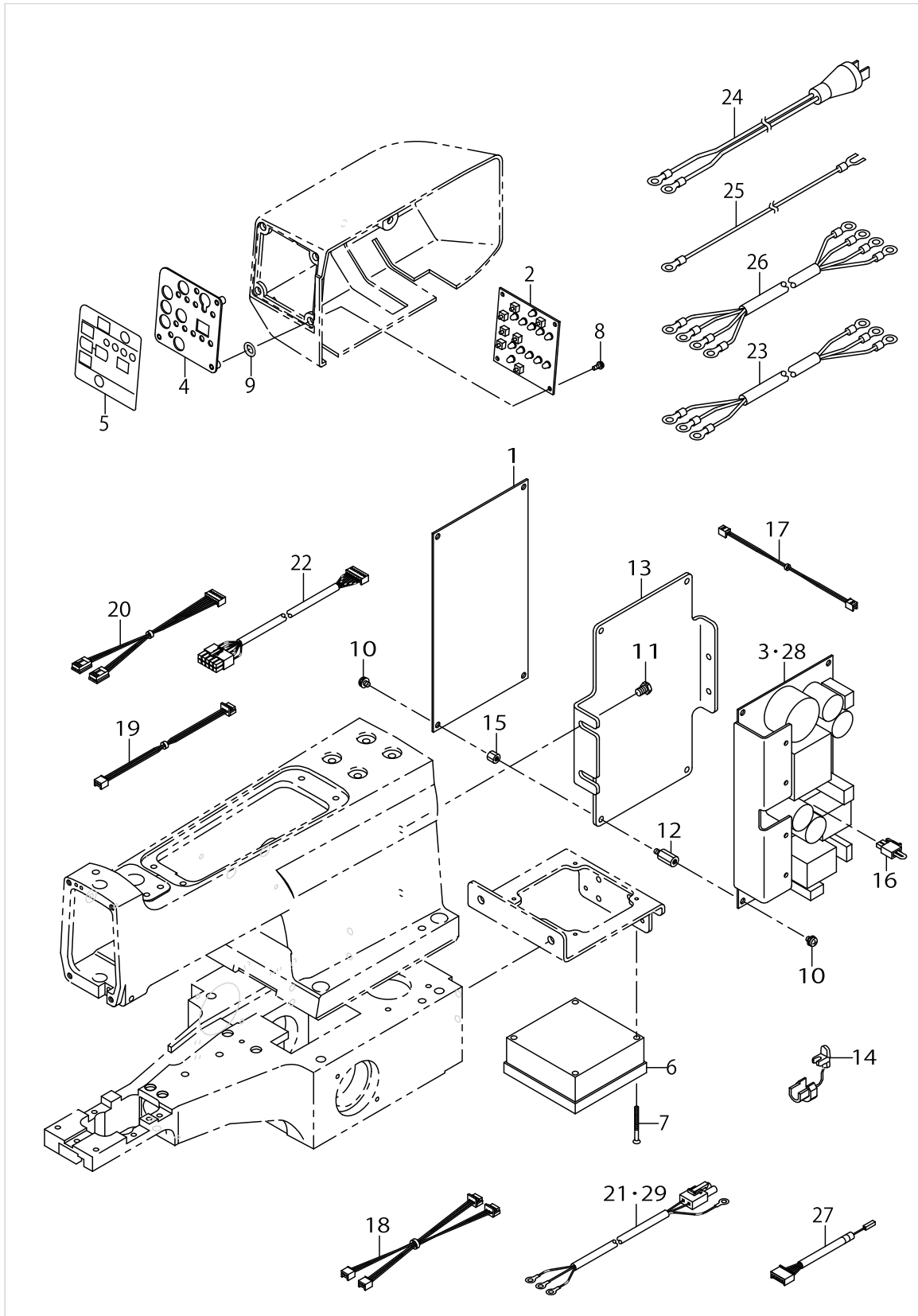
NEEDLE BAR & NEEDLE DRIVING PULLEY SHAFT COMPONENTS



NEEDLE BAR & NEEDLE DRIVING PULLEY SHAFT COMPONENTS

No.	Supply Code	Parts No.	Replacement	Parts name	Remarks	Choice	Step	Level	Cons	Qty	Rep. QTY
1		14603500		DRIVING SHAFT						1	
2		14604805		TOOTHED WHEEL						1	
3		SS8660512TP		SCREW 1/4-40 L=5						4	
4		B1211980000		UPPER SHAFT THRUST BEARING						2	
5		B1220771000		THRUST WASHER A						4	
6		14603609		DRIVING SHAFT METAL LEFT						1	
7		14603708		DRIVING SHAFT METAL RIGHT						1	
8		SB115000200		BEARING						2	
9		SS8150510TP		SCREW 15/64-28 L=4.7						2	
10		SB108000500		RADIAL BEARING						1	
11		14601900		MOTOR COVER						1	
12		SS7110840SP		SCREW 11/64-40 L=7.8						2	
13		M8904630000		SERVO COVER						1	
14		SS7110410SP		SCREW 11/64-40 L=4						2	
15		M8903630000		SERVO MOTOR ASM.						1	
16		SS8150510TP		SCREW 15/64-28 L=4.7						1	
17		B3010141H00		WASHER						1	
18		SS8660612TP		SCREW 1/4-40 L=6						2	
19		MAT80110L00		CLAMP SCREW						1	
20		WP0450000SD		WASHER 4.5X8X0.5						1	
21		14606107		NEEDLE ROD						1	
22		MTQ700B1600		NEEDLE TQX7 #16						1	
23		SS7080510TP		SCREW 1/8-44 L=4.5						1	
24		14605901		NEEDLE ROD BUSHING UPPER						1	
25		14606008		NEEDLE ROD BUSHING LOWER						1	
26		26031906		NEEDLE BAR CLAMP						1	
27		26031807		NEEDLE BAR BALANCE						1	
28		SS6091210TP		SCREW 9/64-40 L=12						1	
29		40038120		NEEDLE_BAR_SLIDE_BLOCK_A	SELECTIVE PARTS					1	
30		40038121		NEEDLE_BAR_SLIDE_BLOCK_B	SELECTIVE PARTS					1	
31		40038122		NEEDLE_BAR_SLIDE_BLOCK_C	SELECTIVE PARTS					1	
32		14606206		NEEDLE BAR ROCKING PIPE						1	
33		SS9110453TP		SCREW						1	
34		WP0480856SP		WASHER 4.8X8.4X0.8						1	
35		13887005		THRUST WASHER						2	
36		14606404		FULCRUM SHAFT						1	
37		SS8660612TP		SCREW 1/4-40 L=6						2	
38		14606503		FULCRUM SHAFT BASE						1	
39		SS6151812TP		SCREW 15/64-28 L=18						2	
40		WP0621016SD		WASHER 6.2X13X1						2	
41	R	14606305	14606354	CRANK ROD						1	1.00
42		SS7111110TP		SCREW 11/64-40 L=10.5						2	
43		SD0801021TP		HINGE SCREW D=8 H=10.2						1	

TRANSMISSION COMPONENTS



TRANSMISSION COMPONENTS

No.	Supply Code	Parts No.	Replacement	Parts name	Remarks	Choice	Step	Level	Cons	Qty	Rep. QTY
1		M8601630AA0		MAIN CIRCUIT BOARD A ASM.						1	
2		M86026300A0A		PANEL CIRCUIT BOARD ASM.						1	
3		40011382		PWR CIRCUIT BOARD ASM.	FOR 1-PH-ASE,USE IN JAPAN, EXPORT 3-PHASE					1	
4		M2003630000		PANEL FITTING PLATE						1	
5		M3001630000		PANEL SEET						1	
6		M85405900A0		FAN ASM.						1	
7		SM1033501SC		SCREW M3X0.5 L=35						4	
8		SL4030881SC		SCREW M3X8						3	
9		RO074240100		RUBBER RING						3	
10		SL4040681SC		COMBINATION SCREW M4X6						8	
11		SS9150910SP		SCREW						3	
12		HX00339000E		SPACER						4	
13		14602106		BOARD FITTING PLATE						1	
14		HX000980000		CORD BUSH						1	
15		HX005350000		SPACER						4	
16		M85236000A0		INPUT CHANGEVER CORD ASM.						1	
17		M85026300A0		TEMPERATURE SENSOR CORD ASM.						1	
18		M85056300A0		FEED HOME POSITION CORD ASM.						1	
19		M85066300A0		STARTING CORD ASM.						1	
20		M85076300A0		PRESSER SENSOR CORD ASM.						1	
21		M85046300A0		TRANSMISSION POWER CORD ASM.	FOR 1-PH-ASE,USE IN JAPAN, EXPORT 3-PHASE					1	
22		M85146300A0		BR RELAY CORD	FOR MB-1-800A,MB-1800C					1	
23		M90245800A0		POWER CABLE ASM. 100V	FOR JE,EXPORT 1-PHASE					1	
24		M90355800A0		POWER SOURCE CORD ASM.	FOR USE IN JAPAN					1	
25		M90345800A0		GROUND CORD ASM.	FOR USE IN JAPAN					1	
26		M90175800A0		POWER CABLE ASM.	FOR USE IN JAPAN, EXPORT 3-PHASE					1	
27		M85216300A0		BR RELAY CODE 2 ASM.	FOR MB-1-800A,MB-1800C					1	
28		40163030		PWR PCB CE ASSY	FOR CE					1	
29		40162895		POWERCORDCEASM.	FOR CE					1	

TABLE COMPONENTS

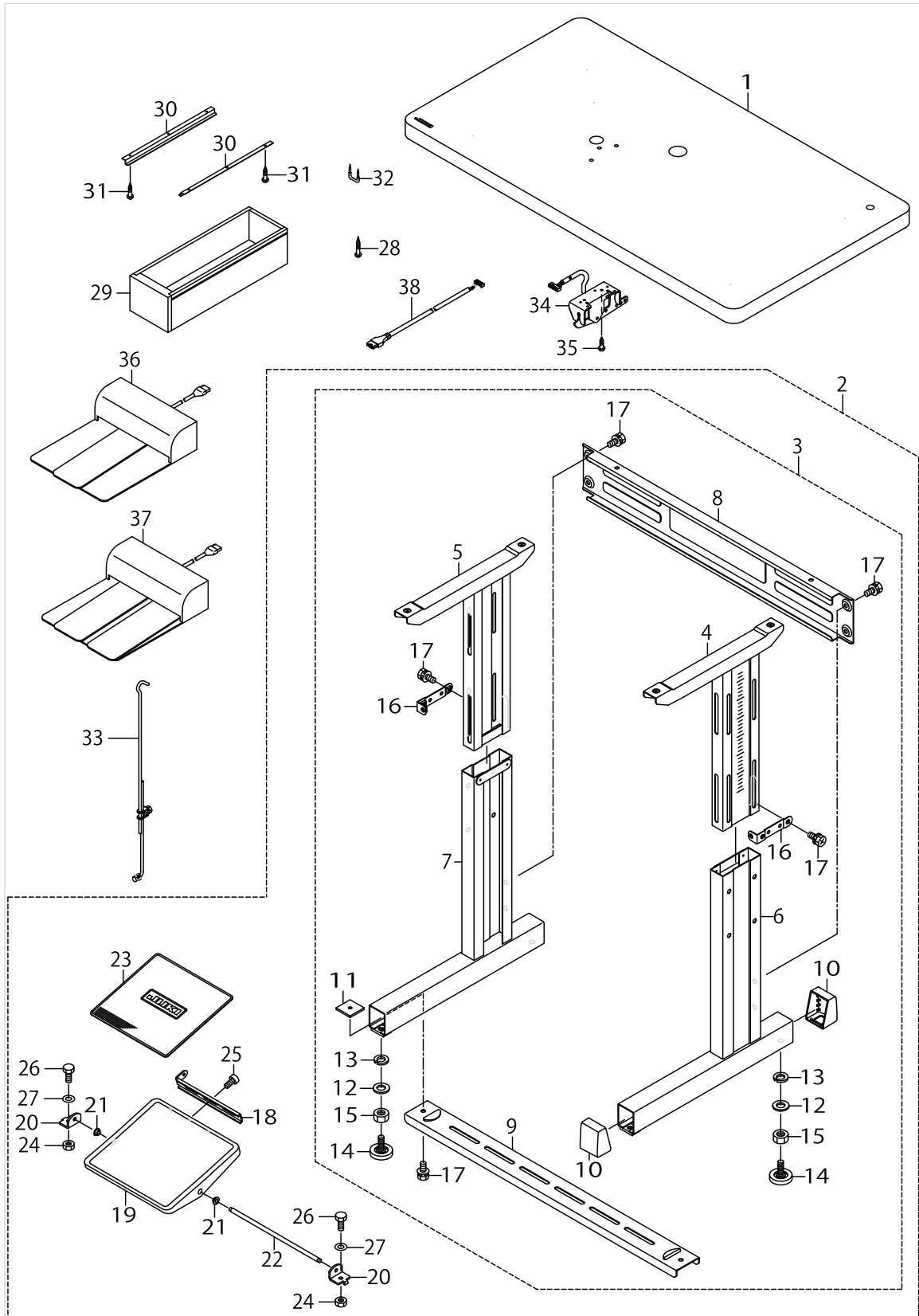
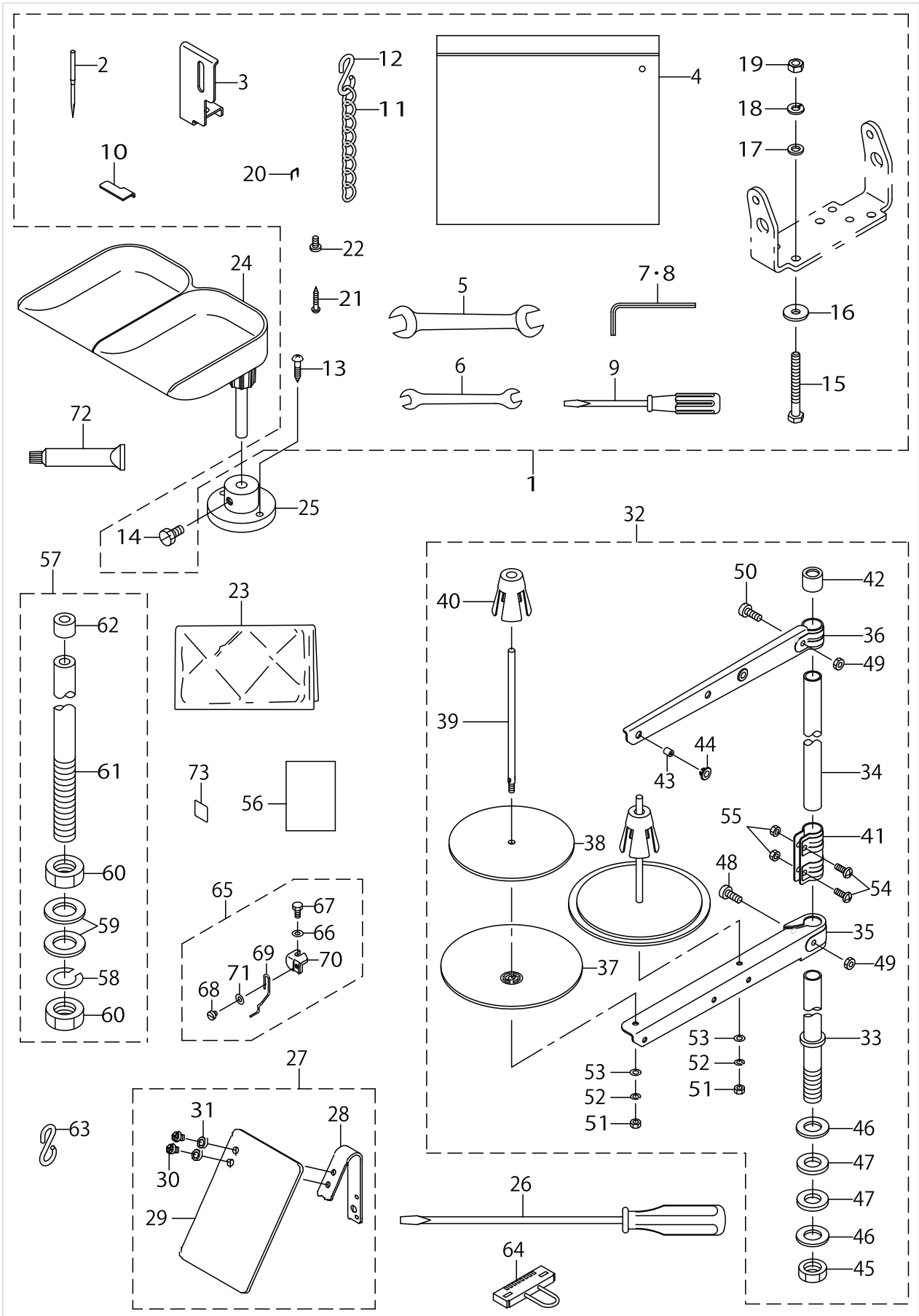


TABLE COMPONENTS

No.	Supply Code	Parts No.	Replacement	Parts name	Remarks	Choice	Step	Level	Cons	Qty	Rep. QTY
1		14607600		TABLE						1	
2		11157567		T LEG JUNCTION						1	
3	R	11157559	11157567	T-STAND ASM.				*		1	1.00
4		11157666		UPPER STAND ASM. RIGHT				*		1	
5		11157765		UPPER STAND ASM. LEFT				*		1	
6		11157963		LOWER LEG RIGHT				*		1	
7		11158060		LOWER LEG LEFT				*		1	
8	D	11158300		STAND SIDE SUPPORT				*		1	
9		11158409		STAND SIDE SUPPORT				*		1	
10		11158607		RUBBER CAP				*		4	
11		17007402		NUT				*		2	
12		WP1302501SE		WASHER M12				*		4	
13		WS1253010KN		SPRING WASHER 12.5X21.5X3				*		4	
14		B81085550A0		ADJUSTING SCREW ASM. WITH CAP				*		4	
15		NM6120001SE		NUT M12				*		1	
16		11158516		UPPERSTANDPLATE				*		2	
17		SL9082091SE		WASHER HEXAGONAL BOLT				*		12	
18		11158706		PEDAL ADJUSTING PLATE				*		1	
19		11158805		PEDAL				*		1	
20		11159001		PEDAL SHAFT BRACKET				*		2	
21		D8113555B00		PEDAL BUSHING				*		2	
22		D8115555B00		PEDAL SHAFT				*		1	
23		11158904		PEDAL MAT				*		1	
24		NM6080001SE		NUT M8				*		2	
25		SL9061291SE		WASHER HEXAGONAL BOLT M6 L=12				*		2	
26		SL9082091SE		WASHER HEXAGONAL BOLT				*		2	
27		WP0871602SE		WASHER 8.7X18X1.6				*		2	
28		SK3483201SE		WOOD SCREW D=4.8 L=32						4	
29	R	11155108	11155157	DRAWER						1	1.00
30		11155207		DRAWER SUPPORT						2	
31		SK3311601SE		WOOD SCREW D=3.1 L=16						6	
32		D8204555D00		DRAWER STOPPER						1	
33	R	MA0720020A0	26104851	CONNECTING ROD ASM.	OPTION PARTS					1	1.00
34		M85205900A0		1-PEDAL ASM.	OPTION PARTS					1	
35		SK3482001SE		WOOD SCREW D=4.8 L=20	OPTION PARTS					2	
36		GPK510010C0		PEDAL SWITCH ASM.	OPTION PARTS					1	
37		GPK570010B0		PEDAL SWITCH ASM.	OPTION PARTS					1	
38		M90135900A0		PK57 TRANSFER CABLE ASM.	OPTION PARTS					1	

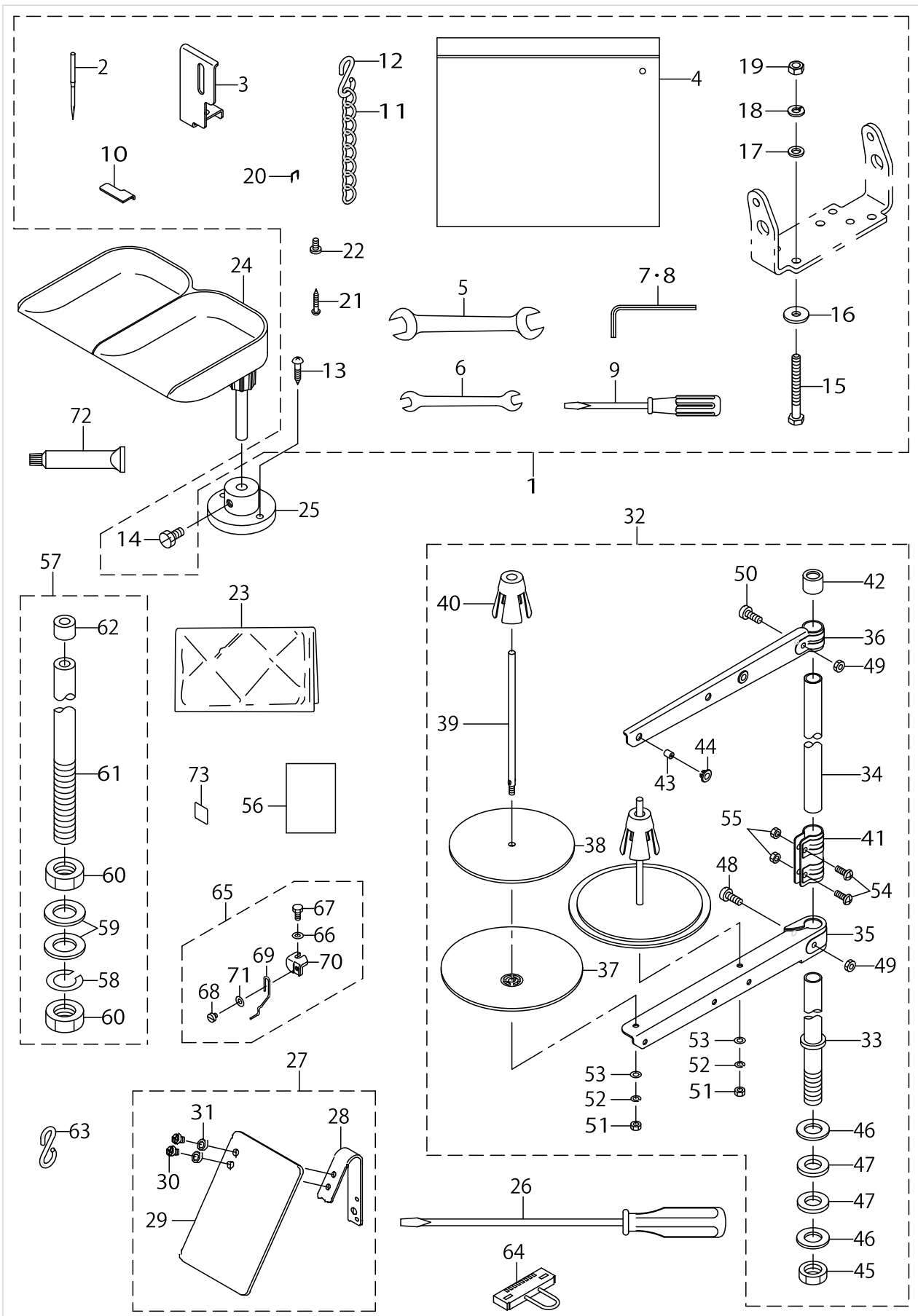
ACCESSORIE PARTS COMPONENTS



ACCESSORIE PARTS COMPONENTS

No.	Supply Code	Parts No.	Replacement	Parts name	Remarks	Choice	Step	Level	Cons	Qty	Rep. QTY
1		14609655		ACCESSORIE PARTS BAG ASM.						1	
2		MTQ700B1602		NEEDLE TQX7 #16-2				*		1	
3		B1421372000		NEEDLE BAR GUARD				*		1	
4		22932800		ACCESSORIE BAG				*		1	
5		26034702		WRENCH (11X14)				*		1	
6		B9143372000		WRENCH (7.1X8.1)				*		1	
7		B9140372000		HEXAGONAL WRENCH SMALL				*		1	
8		J106600000D		HEXAGONAL WRENCH KEY				*		1	
9		22933105		SCREW DRIVER MIDDLE				*		1	
10		B2414373000		GAUGE				*		1	
11	R	B8103980000	26037903	CHAIN				*		1	1.00
12		13160304		S SHAPED HOOK				*		2	
13		SK3412001SE		WOOD SCREW D=4.1 L=20				*		2	
14		SM6061202TP		SCREW M6 L=12				*		1	
15		SM9065513SF		SCREW M6X55				*		3	
16		WP0641600SC		WASHER 6.4X12.5X1.6				*		3	
17		WP0612056SE		WASHER 6.1X18.5X2				*		3	
18	R	WS0610002KR	WS0610002KN	SPRING WASHER M6				*		3	1.00
19		NM6060002SE		NUT M6				*		3	
20		MAO11532000		CORD STAPLE				*		5	
21		SK3482001SE		WOOD SCREW D=4.8 L=20				*		2	
22		SS7110840SP		SCREW 11/64-40 L=7.8				*		1	
23		22933303		VINYL COVER	FOR EXPORT					1	
24		17848458		BUTTON TRAY ASM.						1	
25		40033635		BUTTON TRAY BASE						1	
26		22933006		SCREW DRIVER LARGE						1	
27		40054729		ASSY SAFETY PLATE						1	
28		40054730		SAFETY PLATE INSTALLING BASE				*		1	
29		26037200		SAFETY PLATE				*		1	
30		SM4040655SP		SCREW M4 L=6				*		2	
31		WP0430800SD		WASHER M4				*		2	
32		40096354		THREAD STAND ASM.						1	
33		40085784		SPOOL REST ROD LOWER				*		1	
34		40085785		SPOOL REST ROD UPPER				*		1	
35		40085786		SPOOL REST ARM LOWER				*		1	
36		40085787		SPOOL REST ARM UPPER				*		1	
37		40085788		SPOOL REST				*		2	
38		40085789		SPOOL REST CUSHION				*		2	
39		40085790		SPOOL PIN				*		2	
40		40085791		SPOOL RETAINER				*		2	
41		40085792		SPOOL REST ROD JOINT				*		1	
42		40085793		SPOOL REST ROD RUBBER CAP				*		1	
43		40085794		THREAD GUIDE				*		2	
44		40085795		THREAD GUIDE BUSHING				*		2	
45		40096325		SPOOL REST ROD NUT				*		1	
46		WP1612616SE		WASHER 16X30X2.6				*		2	

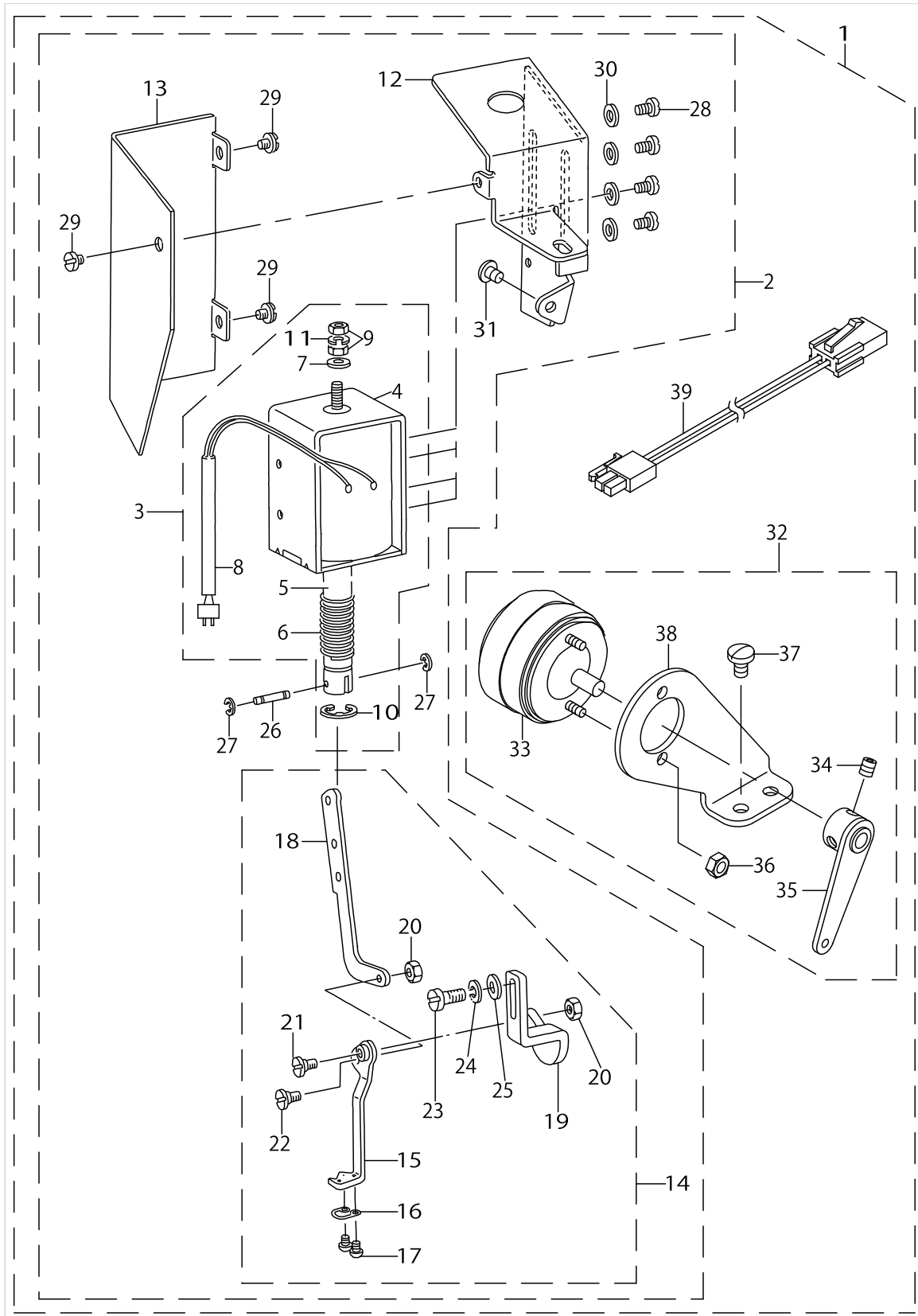
ACCESSORIE PARTS COMPONENTS



ACCESSORIE PARTS COMPONENTS

No.	Supply Code	Parts No.	Replacement	Parts name	Remarks	Choice	Step	Level	Cons	Qty	Rep. QTY
47		40085796		SPOOL REST ROD RUBBER CUSHION				*		2	
48		40096326		SPOOL REST ARM LOWER SCREW				*		1	
49		NM6050001SE		NUT M5				*		2	
50	R	40096327	SM4053001SE	SPOOL REST ARM UPPER SCREW				*		1	1.00
51		NM6050001SE		NUT M5				*		2	
52		WS0510002KN		SPRING WASHER M5				*		2	
53		WP0531001SC		WASHER M5				*		2	
54		SM4051405SE		SCREW M5 L=14				*		2	
55		NM6050001SE		NUT M5				*		2	
56		CM600100201		WEEE INFORMATION SHEET						1	
57		40023920		FRAME_SUPPORT_BAR_ASSY	FOR MB-1- 800A,MB-1800C					1	
58	R	WS1643202KR	WP1612616SE	SPRING WASHER		A		*		1	2.00
58	R	WS1643202KR	40085796	SPRING WASHER		A		*		1	2.00
59		WP1702600S0		WASHER 17X30X2.6				*		2	
60		NM6160013SN		NUT M16				*		2	
61		40022039		FRAME_SUPPORT_BAR				*		1	
62		13771704		RUBBER CAP				*		1	
63		13160304		S SHAPED HOOK	FOR MB-1- 800A,MB-1800C					1	
64		M85206300A0		MB-1800A CONNECTOR	FOR MB-1- 800A,MB-1800C					1	
65		14146757		BUTTON RISING BAR ASM.	FOR MB-1- 800,MB-1800B					1	
66		WP0370316SD		WASHER 3.7X8X0.3				*		1	
67		SS9090813TP		SCREW 9/64-40 L=8				*		1	
68		SS6080340SP		SCREW 1/8-44 L=2.9				*		1	
69		14146708		BUTTON RISING BAR				*		1	
70		14146807		INSTALLING BASE				*		1	
71		WP0370316SD		WASHER 3.7X8X0.3				*		1	
72		40006323		JUKI GREASE A TUBE						1	
73		CM600100101		WEEE MARK LABEL S						1	

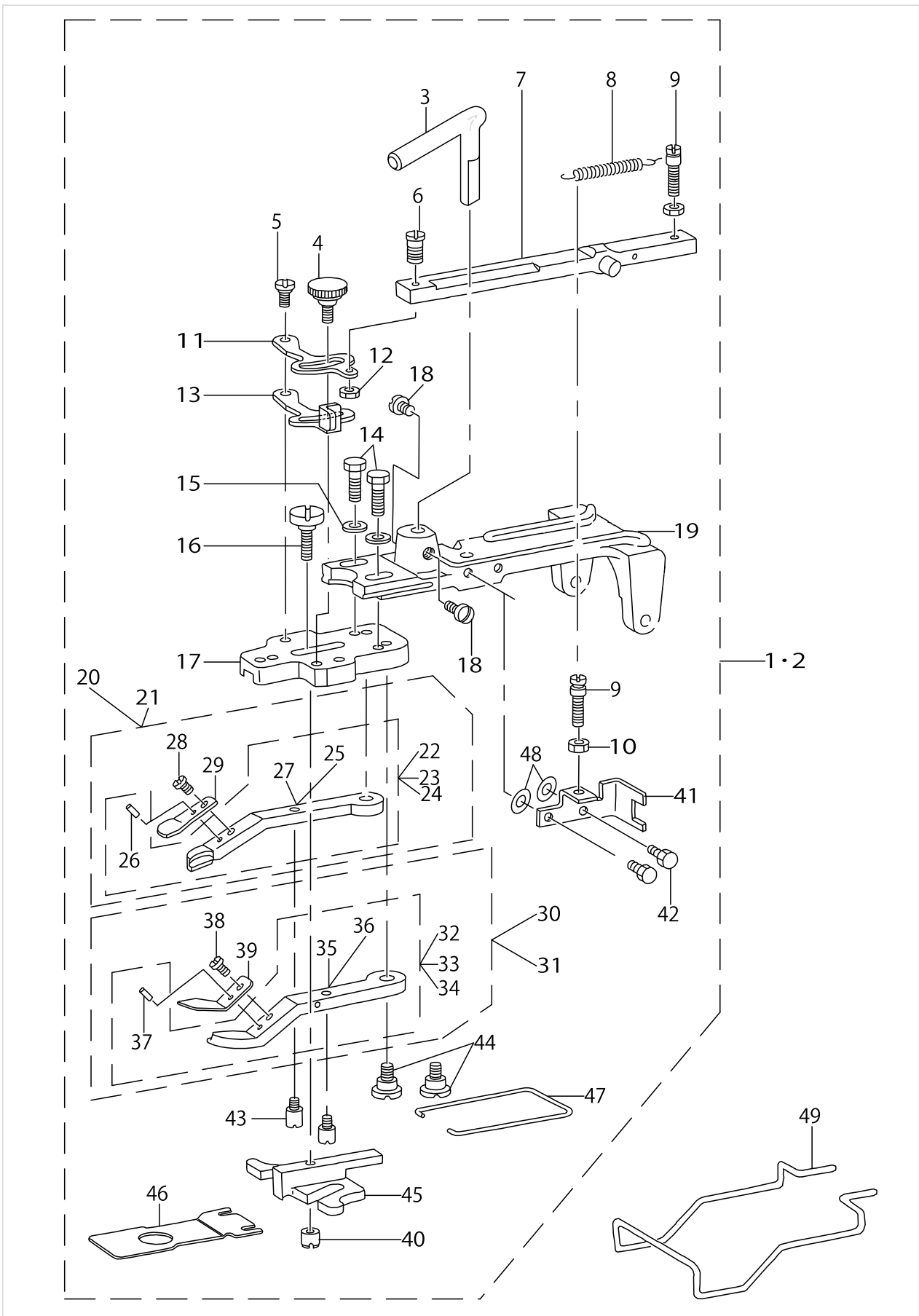
WIPER COMPONENTS (MB-1800A,MB-1800B,MB-1800C OPTION)



WIPER COMPONENTS (MB-1800A,MB-1800B,MB-1800C OPTION)

No.	Supply Code	Parts No.	Replacement	Parts name	Remarks	Choice	Step	Level	Cons	Qty	Rep. QTY
1		M85126300A0		WIPER DEVICE	OPTION P-ARTS,MB-1800B FOR MB-1-800A,MB-1800C					1	
2		M85156300A0		WIPER COMPL.		*				1	
3		M85176300A0		WIPER SOLENOID ASM.		*				1	
4		MAZ08801000		WIPER MAGNET		*				1	
5		D2118555B00A		PLUNGER		*				1	
6		MAT80113T00		SPRING		*				1	
7		MAT80115T00		WASHER		*				1	
8		HW5F18S1228		TWO-CORE CORD		*				0.9	
9		NM6043212SA		NUT M4X0.7		*				2	
10		RE0901110K0		SNAP RING 9		*				1	
11	R	WS0410002KS	WS0410002KN	SPRING WASHER M4	*				1	1.00	
12		MAZ08802000		INSTALLING BASE	*				1		
13		MAZ08803000		INSTALLING BASE COVER	*				1		
14	R	MAZ025060A0	MAZ025060B0	WIPER UNIT ASM.	*				1	1.00	
15		MAZ02506000		WIPER	*				1		
16		MAZ02507000A		WIPER THREAD GUARD SPRING	*				1		
17		SS5060310SP		SCREW 3/32-56 L=2.8	*				2		
18		MAZ02504000		WIPER LINK	*				1		
19		MAZ02505000		WIPER BASE	*				1		
20		NS6110310SP		NUT 11/64-40	*				2		
21		SD0460571CP		HINGE SCREW D=4.6 H=5.7	*				1		
22		SD0550211SP		HINGE SCREW	*				1		
23		SS6121220TP		SCREW 3/16-28 L=11.5	*				1		
24		WS0521010KN		SPRING WASHER 5.2X8.2X1	*				1		
25		WP0480856SP		WASHER 4.8X8.4X0.8	*				1		
26		D2107555B00		WIPER LINK SHAFT A	*				1		
27		RE0250000K0		E-RING 2.5	*				2		
28		SM4040601SB		SCREW M4 L=6	*				4		
29		SS7110340SP		SCREW 11/64-40 L=3.2	*				3		
30		WP0480856SP		WASHER 4.8X8.4X0.8	*				4		
31		SS4120615SP		SCREW 3/16-28 L=6	*				1		
32		M85166300A0		THREAD TENSION LEVER COMPL.	*				1		
33		M85186300A0		THREAD TENSION SOLENOID ASM.	*				1		
34		SM8050602TP		SCREW M5 L=6	*				2		
35		M20116300A0		THREAD TENSION LEVER ASM.	*				1		
36		NM6040003SC		NUT M4	*				2		
37		SS7110710SP		SCREW 11/64-40 L=7	*				2		
38		M2010630000		SOLENOID FITTING PLATE	*				1		
39		M85196300A0		RELAY CORD ASM.	*				1		

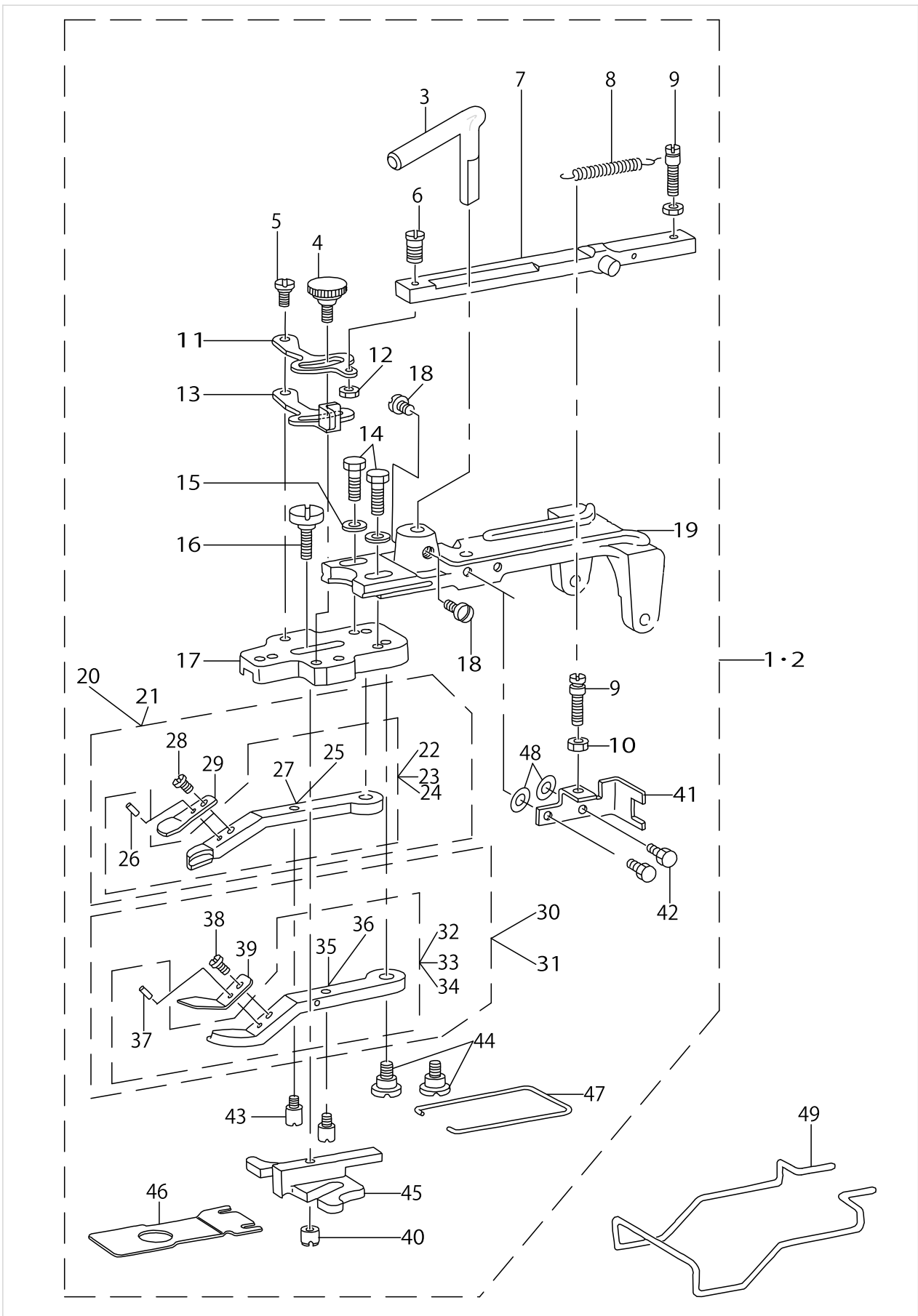
BUTTON CLAMP MECHANISM COMPONENTS (FOR MB-1800A)



BUTTON CLAMP MECHANISM COMPONENTS (FOR MB-1800A)

No.	Supply Code	Parts No.	Replacement	Parts name	Remarks	Choice	Step	Level	Cons	Qty	Rep. QTY
1		40114058		PICK-UP DEVICE COMPL.						1	
2		40114059		PICK-UP DEVICE COMPL.	SPECIAL ORDER PARTS (LARGE BUTTON)					1	
3		14611404		LIFTING ROD				*		1	
4		B2549372R00A		SCREW				*		1	
5		SD0500404SP		HINGE SCREW				*		1	
6		SS7091480SP		SCREW 9/64-40 L=13.5				*		1	
7		MAZ088270A0		CLAMP RELEASE LINK ASM.				*		1	
8		GBR01606000		RELEASE RETURN SPRING				*		1	
9		GBR01607000		SPRING HOOK				*		2	
10		NS6080210SP		NUT 1/8-44				*		2	
11		GBR01601000A		CLAMP RELEASE LEVER				*		1	
12		NS6090310SP		NUT 9/64-40				*		1	
13		B2548372R00A		OPEN LEVER				*		1	
14		SS9621413SP		SCREW 3/16-32 L=13.5				*		2	
15		WP0501016SD		WASHER 5X10.5X1				*		2	
16		SD0550303SP		HINGE SCREW				*		1	
17		B2547372000		JAW LEVER HOLDER				*		1	
18		SS7150940SP		SCREW 15/64-28 L=9				*		2	
19		40113237		BUTTON CLAMP HOLDER				*		1	
20		MAZ088220B0A		BUTTNCLAMP(LEFT)				*		1	
21		MAZ088220BAA		BIG BUTTON PICK-UP FOOT (LEFT)	SPECIAL ORDER PARTS (LARGE BUTTON)			*		1	
22	R	MAZ088220AAA	MAZ088220BAA	PICK-UP FOOT (LEFT) ASM.	SPECIAL ORDER PARTS (LARGE BUTTON)			*		1	1.00
23		MAZ088220A0A		PICK-UP FOOT (LEFT) ASM.				*		1	
24		18216457		PICK-UP FOOT (LEFT) ASM.				*		1	
25		MAZ08822000A		BUTTON PICK-UP FOOT (LEFT)				*		1	
26		B2559372000		BUTTON CLAMP LOCATING PIN				*		2	
27		MAZ0882200AA		PICK-UP FOOT (LEFT)	SPECIAL ORDER PARTS (LARGE BUTTON)			*		1	
28		SS7090520TP		SCREW 9/64-40 L=4.5				*		2	
29		MAZ08828000		SPRING LEFT				*		1	
30		MAZ088230BAA		BIG BUTTON PICK-UP FOOT(RIGHT)	SPECIAL ORDER PARTS (LARGE BUTTON)			*		1	
31		MAZ088230B0A		PICK-UP FOOT (RIGHT) ASM.				*		1	
32		MAZ088230A0A		PICK-UP FOOT (RIGHT) ASM.				*		1	
33	R	MAZ088230AAA	MAZ088230BAA	PICK-UP FOOT (RIGHT) ASM.	SPECIAL ORDER PARTS (LARGE BUTTON)			*		1	1.00
34		18216655		PICK-UP FOOT (RIGHT) ASM.				*		1	
35		MAZ0882300AA		PICK-UP FOOT (RIGHT)	SPECIAL ORDER PARTS (LARGE BUTTON)			*		1	

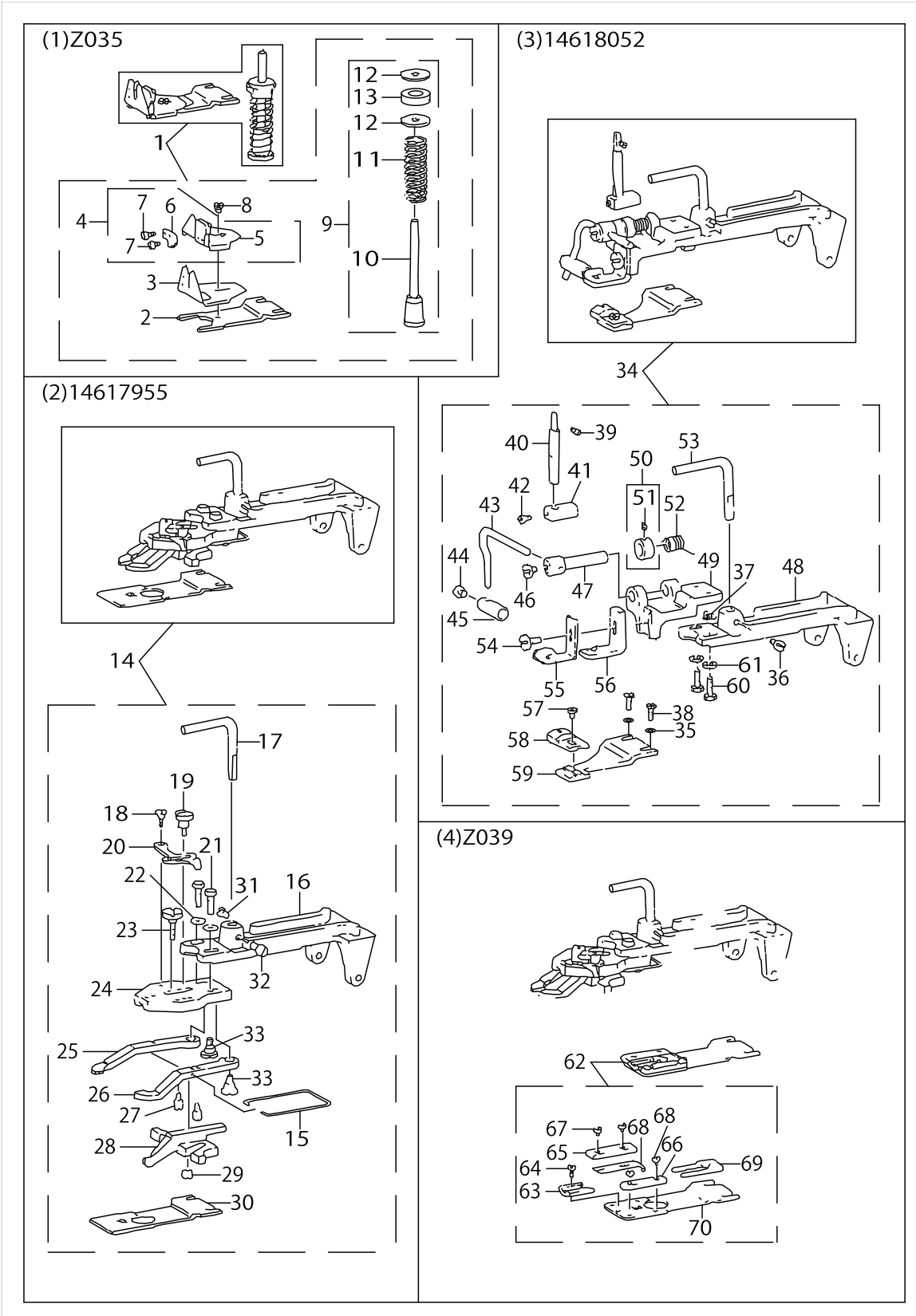
BUTTON CLAMP MECHANISM COMPONENTS (FOR MB-1800A)



BUTTON CLAMP MECHANISM COMPONENTS (FOR MB-1800A)

No.	Supply Code	Parts No.	Replacement	Parts name	Remarks	Choice	Step	Level	Cons	Qty	Rep. QTY
36		MAZ08823000A		PICK-UP FOOT (RIGHT)				*		1	
37		B2559372000		BUTTON CLAMP LOCATING PIN				*		2	
38		SS7090520TP		SCREW 9/64-40 L=4.5				*		2	
39		MAZ08829000		SPRING RIGHT				*		1	
40		26026005		NUT				*		1	
41		GBR01602000		SLIDE BRACKET				*		1	
42		SS9091010SP		SCREW 9/64-40 L=10				*		2	
43		B2560372000		BUTTON CLAMP STOP PIN				*		2	
44		SD0640391TP		HINGE SCREW D=6.35 H=3.9				*		2	
45		MAZ16522000		BUTTON GUIDE FOOT				*		1	
46		D2529373C00A		FEED PLATE LARGE BUTTON	SPECIAL ORDER PARTS (LARGE BUTTON)			*		1	
47		B2561372000		BUTTON CLAMP SPRING				*		1	
48		WP0430801SC		WASHER M4				*		2	
49		B3130373N00		FINGER GUARD				*		1	

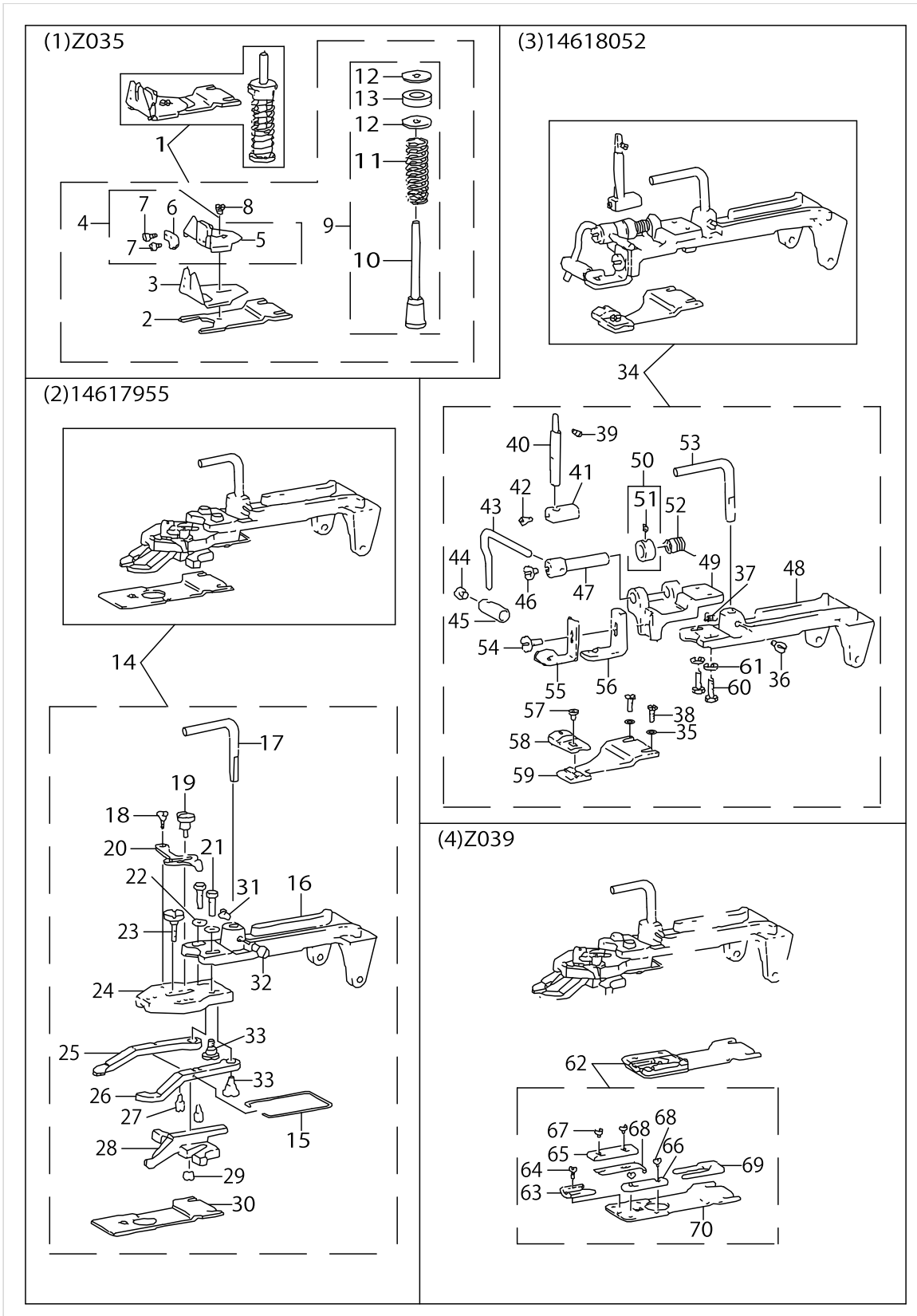
ATTACHMENT COMPONENTS FOR MODEL MB-1800 (1)



ATTACHMENT COMPONENTS FOR MODEL MB-1800 (1)

No.	Supply Code	Parts No.	Replacement	Parts name	Remarks	Choice	Step	Level	Cons	Qty	Rep. QTY
1		B24403730A0		WRAPPED-AROUND BUTTON CLAMP ASM.						1	
2		B2440373000		FEED PLATE				*		1	
3		B2441372000		WRAPPED GUIDE LARGE				*		1	
4		B24423720A0		WRAPPED GUIDE (MIDDLE) ASM.				*		1	
5	R	B2442372000	B24423720A0	WRAPPED GUIDE MIDDLE				*		1	1.00
6	D	B2448372000		SPRING				*		2	
7		SS9110513TP		SCREW 11/64-40 L=5				*		1	
8		SS9110513TP		SCREW 11/64-40 L=5				*		1	
9		B44163730A0		MOVING KNIFE PUS- H-BACK SPRING				*		1	
10		B4416373000		SPRING GUIDE SHAFT				*		1	
11		D9317762T00		GIMP GUIDE SHAFT SPRING				*		1	
12		WP0751576SD		WASHER 7.5X19X1.5				*		2	
13		B4420373000		CUSHION				*		1	
14		14617955		SNAP CLAMP COMPL.						1	
15		B2561372000		BUTTON CLAMP SPRING				*		1	
16		26025502		BUTTON CLAMP HOLDER				*		1	
17		14602502		LIFTING ROD				*		1	
18		SD0550181SP		HINGE SCREW D=5.50 H=1.8				*		1	
19		B2549372000		CLAMP SCREW A				*		1	
20		B2548372000		SNAP FASTENER C- LAMP STOP LEVER				*		1	
21		SS9621413SP		SCREW 3/16-32 L=13.5				*		2	
22		WP0501016SD		WASHER 5X10.5X1				*		2	
23		SD0550301SP		HINGE SCREW D=5.5 H=3				*		1	
24		B2547372000		JAW LEVER HOLDER				*		1	
25		B2555372B00		SNAP FASTENER C- LAMP JAW LEVER LEFT				*		1	
26		B2557372B00		CLAMP JAW LEVER RIGHT				*		1	
27		B2560372000		BUTTON CLAMP STOP PIN				*		2	
28		B2552372B00		CLAMP JAW LEVER RIGHT				*		1	
29		B2553372000		NUT				*		1	
30		B2529373B00A		FEED PLATE MEDIU- M SIZE BUTTON				*		1	
31		SS7150940SP		SCREW 15/64-28 L=9				*		1	
32		SS7150940SP		SCREW 15/64-28 L=9				*		1	
33		SD0640391TP		HINGE SCREW D=6.35 H=3.9				*		2	
34		14618052		METAL BUTTON CLAMP COMPL.						1	
35		WP0501016SD		WASHER 5X10.5X1				*		2	
36		SS7150940SP		SCREW 15/64-28 L=9				*		1	
37		SS7150940SP		SCREW 15/64-28 L=9				*		1	
38		SS9120910TP		SCREW 3/16-28 L=9				*		2	
39		SS8120740SP		SCREW 3/16-28 L=7				*		1	
40		B2411372000		BUTTON CLAMP STUD				*		1	
41		B2412372000		BUTTON CLAMP BLOCK				*		1	
42		SS7110540SP		SCREW 11/64-40 L=5				*		1	
43		B2405372000		BUTTON CLAMP LEVER				*		1	
44		SS7110710SP		SCREW 11/64-40 L=7				*		1	

ATTACHMENT COMPONENTS FOR MODEL MB-1800 (1)

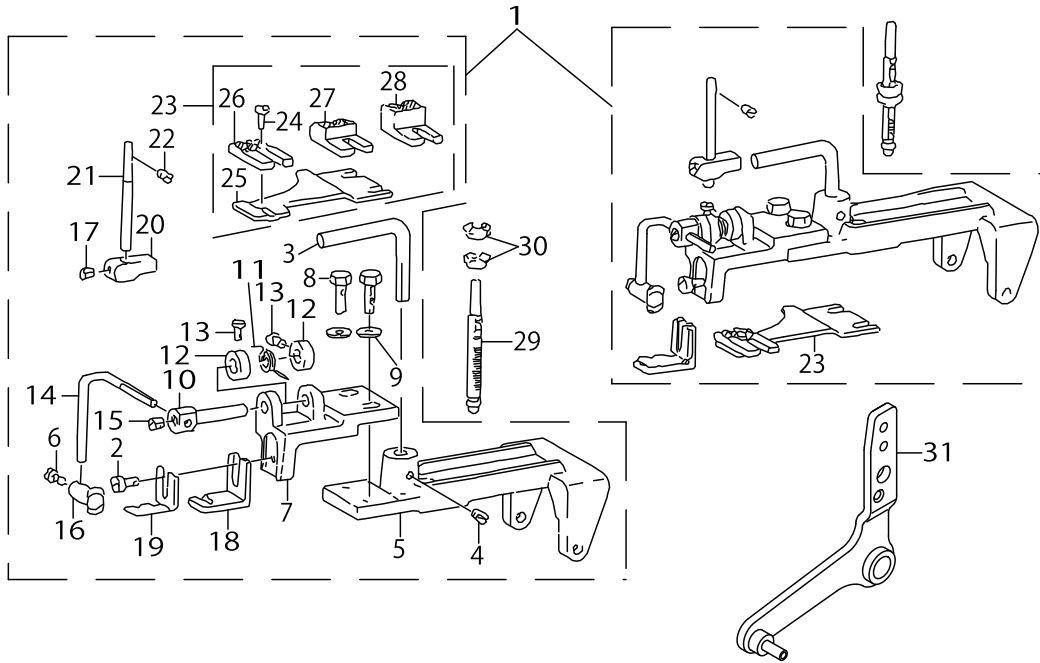


ATTACHMENT COMPONENTS FOR MODEL MB-1800 (1)

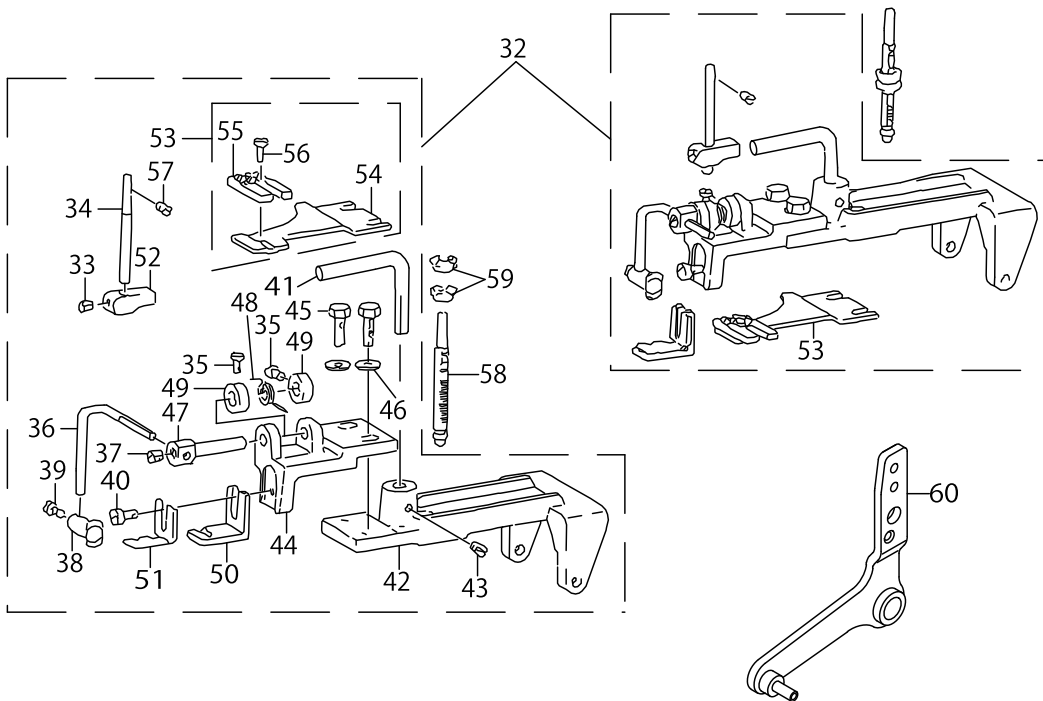
No.	Supply Code	Parts No.	Replacement	Parts name	Remarks	Choice	Step	Level	Cons	Qty	Rep. QTY
45		B2406372000		SHANK BUTTON HOLDING CLAMP				*		1	
46		SS7110570SP		SCREW 11/64-40 L=4.8				*		1	
47		B2402372000		BUTTON CLAMP LEVER HOLDING SHAFT				*		1	
48		B254237200C		BUTTON CLAMP HOLDER				*		1	
49		B240137200B		SHANK BUTTON CLAMP BRACKET				*		1	
50		CS072081ASP		THRUST COLLAR ASM. D=7.24 W=8				*		1	
51		SS8110410TP		SCREW 11/64-40 L=3.5				*		1	
52		B2404372000		SPRING FOR LEVER HOLDING SHAFT				*		1	
53		14602502		LIFTING ROD				*		1	
54		SS6111140SP		SCREW 11/64-40 L=11				*		1	
55		B2422372000		METAL SHANK BUTTON GUARD				*		1	
56		B2421372000		METAL SHANK BUTTON ADAPTER				*		1	
57		SS6110480SP		SCREW 11/64-40 L=4.3				*		1	
58		B2423373000		METAL BUTTON WORKSUPPORTPLATE				*		1	
59		B2470373000		BUTTON CLAMP FEED PLATE				*		1	
60		SS9621413SP		SCREW 3/16-32 L=13.5				*		2	
61		WP0501016SD		WASHER 5X10.5X1				*		2	
62		MAZ039010A0		REINFORCING-STAY BUTTON ATCHMT						1	
63		MAT60905Z00A		HOLDER (B)				*		1	
64		SS6080340SP		SCREW 1/8-44 L=2.9				*		1	
65		MAT60903Z00A		GUIDE (B)				*		1	
66		MAT60902Z00		GUIDE (A)				*		1	
67		SS6080340SP		SCREW 1/8-44 L=2.9				*		4	
68		MAZ00906000		PRESSER SPRING				*		1	
69		MAT60904Z00A		HOLDER (A)				*		1	
70		MAZ03901000		FEED PLATE				*		1	

ATTACHMENT COMPONENTS FOR MODEL MB-1800 (2)

(5)14617757



(6)14617856

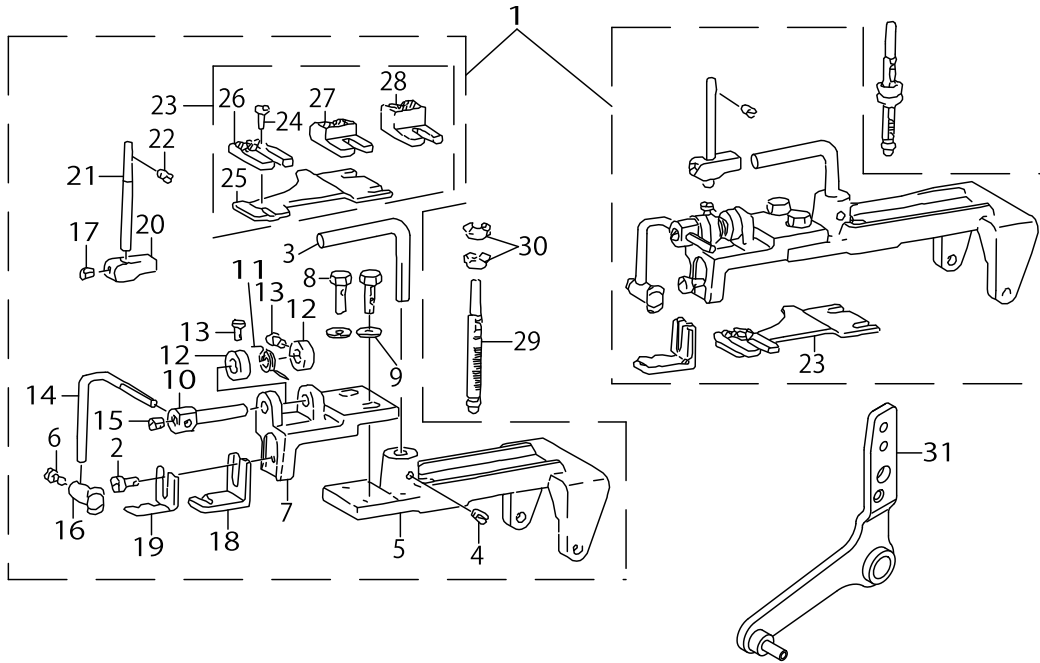


ATTACHMENT COMPONENTS FOR MODEL MB-1800 (2)

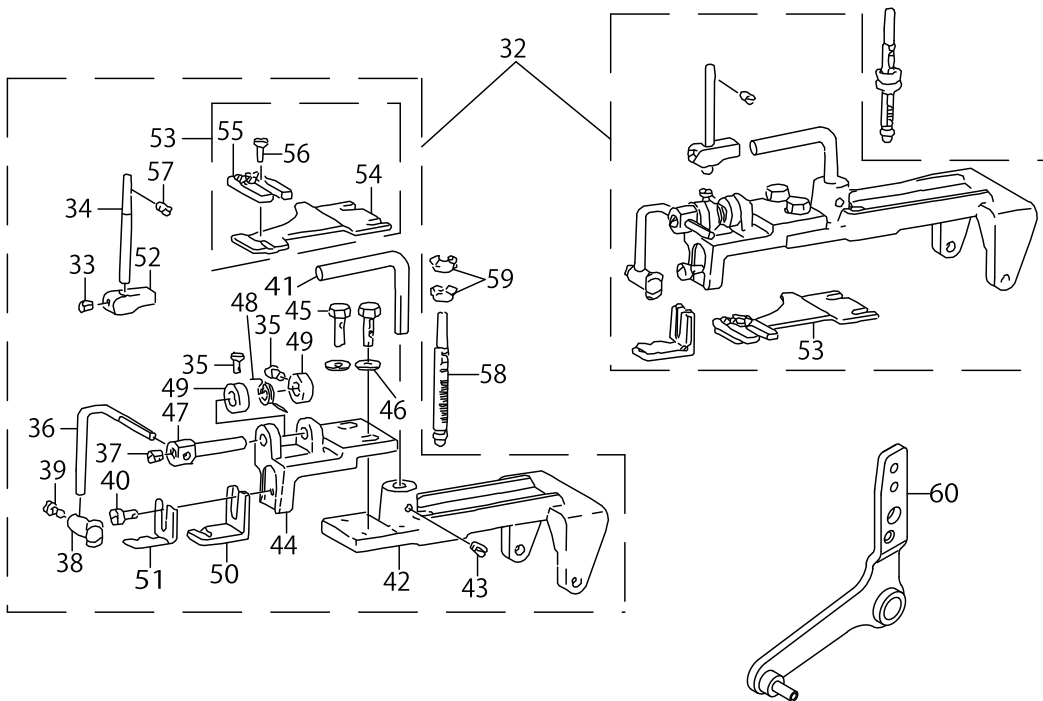
No.	Supply Code	Parts No.	Replacement	Parts name	Remarks	Choice	Step	Level	Cons	Qty	Rep. QTY
1		14617757		BUTTON CLAMP COMPL.						1	
2		SS6111140SP		SCREW11/64-40L=11				*		1	
3		14602502		LIFTING ROD				*		1	
4		B2431372L00		SET SCREW				*		1	
5		B2542372L0A		BUTTON CLAMP HOLDER L				*		1	
6		SS7110730SP		SCREW 11/64-40 L=6.5				*		1	
7		B2401372L0AA		BUTTON CLAMP HOLDER L				*		1	
8		SS9621413SP		SCREW 3/16-32 L=13.5				*		2	
9		WP0501016SD		WASHER 5X10.5X1				*		2	
10	D	B2402372L00		ROLLER STUD FOR TRIPPING LEVER				*		1	
11		B2404372L00		SPRING FOR HOLDING SHAFT				*		1	
12		B2426372L00A		THRUST RING L				*		2	
13		SS7090620TP		SCREW 9/64-40 L=6.1				*		2	
14		B2405372L00		BUTTON CLAMP LEVER				*		1	
15		B2429372L00		SET SCREW				*		1	
16		B2406372L00A		SHANK BUTTON HOLDING CLAMP L				*		1	
17		B2433372L00		SET SCREW				*		1	
18		B2419372L00		SHANK BUTTON ADAPTER				*		1	
19		B2408372L00		SHANK BUTTON GUARD				*		1	
20		B2412372L00		BUTTON CLAMP BLOCK				*		1	
21		B2411372L00		BUTTON CLAMP STUD				*		1	
22		SS8120740SP		SCREW 3/16-28 L=7				*		1	
23		B2409373LA0		BUTTON CLAMP FEED PLATE ASM. L				*		1	
24		B2434372L00		SET SCREW				*		1	
25		B2409373L00		BUTTON CLAMP FEED PLATE (L)				*		1	
26		B2410372L0A		WORK SUPPORT PLATE (L)				*		1	
27		B2410372L0B		WORK SUPPORT PLATE (L)				*		1	
28		B2410372L0C		WORK SUPPORT PLATE (L)				*		1	
29		B2544372L00A		PRESSURE ADJUSTING BAR L						1	
30		B2435372L00A		NUT L						2	
31		40071734		PRESSER_LIFTING_LEVER_ASM.						1	
32		14617856		SHANK BUTTON CLAMP COMPL.						1	
33		B2433372L00		SET SCREW				*		1	
34		B2411372L00		BUTTON CLAMP STUD				*		1	
35		SS7090620TP		SCREW 9/64-40 L=6.1				*		2	
36		B2405372L00		BUTTON CLAMP LEVER				*		1	
37		B2429372L00		SET SCREW				*		1	
38		B2406372B00		SHANK BUTTON HOLDING CLAMP (B)				*		1	
39		SS7110720SP		SCREW 11/64-40 L=7				*		1	
40		SS6111140SP		SCREW11/64-40L=11				*		1	
41		14602502		LIFTING ROD				*		1	
42		B2542372L0A		BUTTON CLAMP HOLDER L				*		1	
43		B2431372L00		SET SCREW				*		1	
44		B2401372L0AA		BUTTON CLAMP HOLDER L				*		1	
45		SS9621413SP		SCREW 3/16-32 L=13.5				*		2	

ATTACHMENT COMPONENTS FOR MODEL MB-1800 (2)

(5)14617757



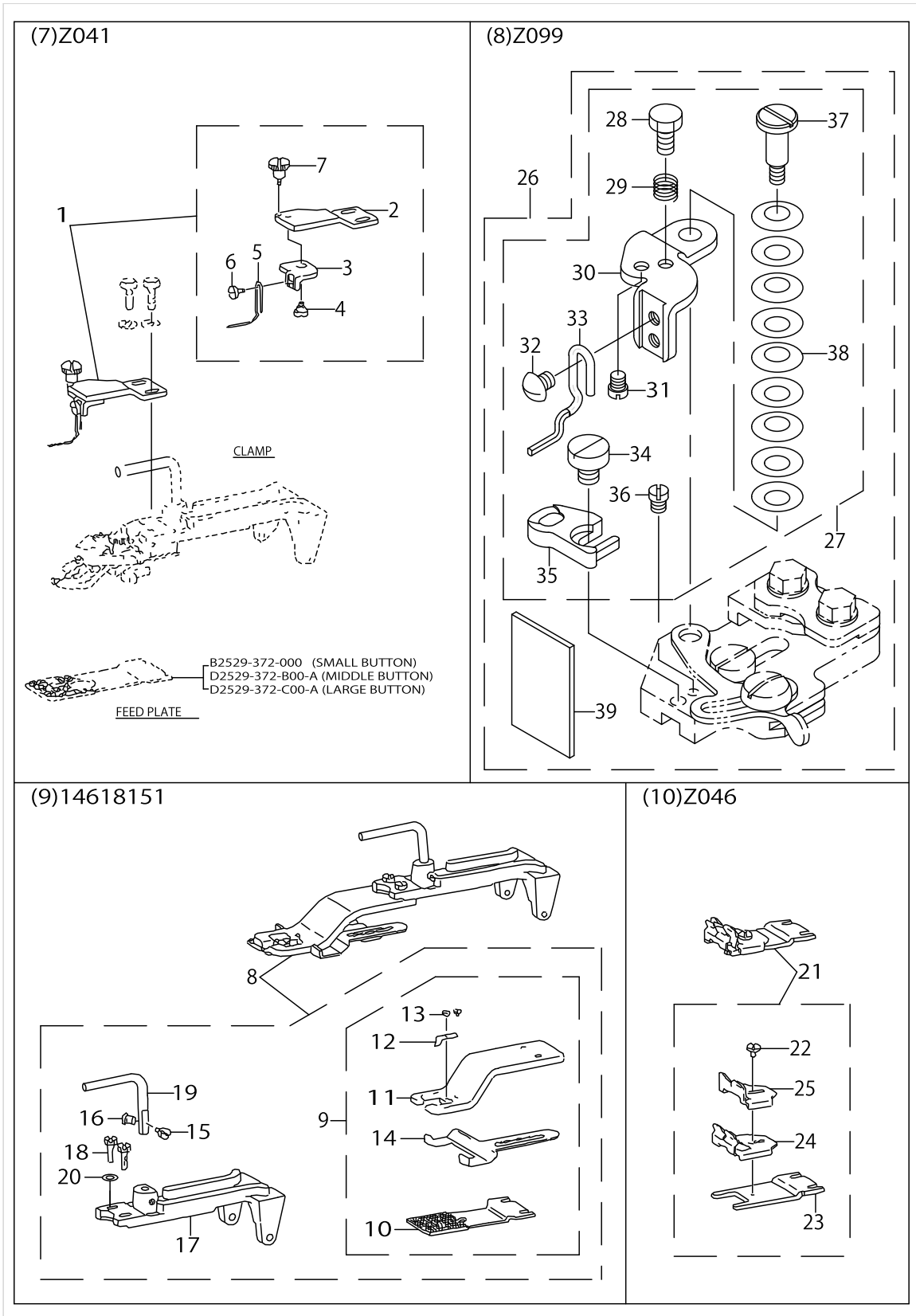
(6)14617856



ATTACHMENT COMPONENTS FOR MODEL MB-1800 (2)

No.	Supply Code	Parts No.	Replacement	Parts name	Remarks	Choice	Step	Level	Cons	Qty	Rep. QTY
46		WP0501016SD		WASHER 5X10.5X1				*		2	
47	D	B2402372L00		ROLLER STUD FOR TRIPPING LEVER				*		1	
48		B2404372L00		SPRING FOR HOLDING SHAFT				*		1	
49		B2426372L00A		THRUST RING L				*		2	
50		B2419372C00		SHANK BUTTON ADAPTER				*		1	
51		B2408372B00		SHANK BUTTON GUARD				*		1	
52		B2412372L00		BUTTON CLAMP BLOCK				*		1	
53	D	B2409373BA0		FEED PLATE ASM.				*		1	
54		B2409373L00		BUTTON CLAMP FEED PLATE (L)				*		1	
55		B2410372B00		BUTTON CLAMP S-UPPORT PLATE 6MM				*		1	
56		B2434372L00		SET SCREW				*		1	
57		SS8120740SP		SCREW 3/16-28 L=7				*		1	
58		B2544372L00A		PRESSURE ADJUSTING BAR L						1	
59		B2435372L00A		NUT L						2	
60		40071734		PRESSER_LIFTING_LEVER_ASM.						1	

ATTACHMENT COMPONENTS FOR MODEL MB-1800 (3)

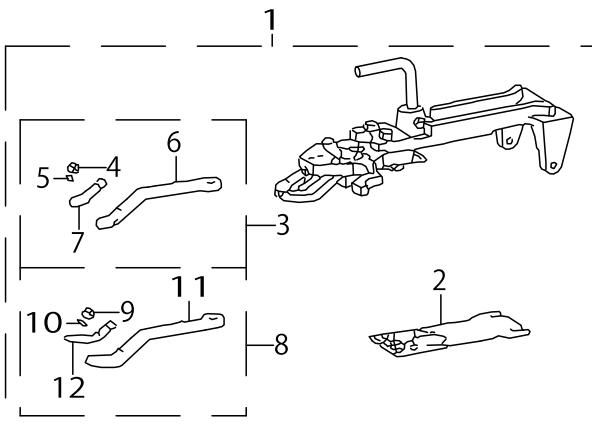


ATTACHMENT COMPONENTS FOR MODEL MB-1800 (3)

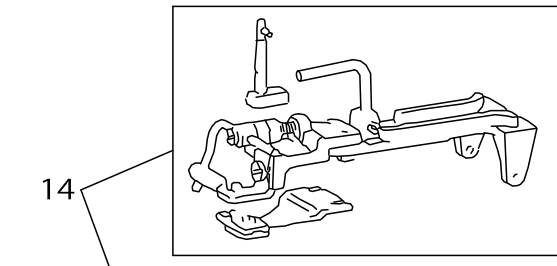
No.	Supply Code	Parts No.	Replacement	Parts name	Remarks	Choice	Step	Level	Cons	Qty	Rep. QTY
1		MAZ041010A0		WRAPPED AROUND BUTTON CLAMP ASM.						1	
2		MAZ04101000		ADJUSTING BASE				*		1	
3		MAZ04102000		GUIDE BAR				*		1	
4		SD0630301SP		HINGE SCREW D=6.35 H=3				*		1	
5		MAZ04103000		GUIDE BAR (SHANK BUTTON WIDTH)				*		1	
6		SS5080710SP		SCREW 1/8-44 L=6.5				*		1	
7		B2549372000		CLAMP SCREW A				*		1	
8		14618151		LABEL SEWER ATT- ACHMENT COMPL.						1	
9		MAT64401ZA0		CLAMP ASM. FOR LABEL				*		1	
10		MAZ04404000A		FEED PLATE				*		1	
11		MAT61401Z00		CLAMP FOR LABEL				*		1	
12		MAT61402Z00		SPRING				*		1	
13		SS5060310SP		SCREW 3/32-56 L=2.8				*		2	
14		MAT61403Z00		STOPPER				*		1	
15		SS7150940SP		SCREW 15/64-28 L=9				*		1	
16		SS7150940SP		SCREW 15/64-28 L=9				*		1	
17		26025502		BUTTON CLAMP HOLDER				*		1	
18		SS9621413SP		SCREW 3/16-32 L=13.5				*		2	
19		14602502		LIFTING ROD				*		1	
20		WP0501016SD		WASHER 5X10.5X1				*		2	
21		MAZ046010A0		FEED PLATE ASM.						1	
22		SS7110570SP		SCREW 11/64-40 L=4.8				*		1	
23		MAZ04601000		PAJAMAS FITTING PLATE				*		1	
24		MAT61603Z00		CLOTH PLATE				*		1	
25	D	MAT61602Z00		PLATE				*		1	
26		14134050		BUTTON ATTCHMENT ASM.						1	
27	R	14134159	14134050	BUTTON ATTCHMENT				*		1	1.00
28		SS9090813TP		SCREW 9/64-40 L=8				*		1	
29		MAT03509000		SPRING				*		1	
30		14134100		ADJUSTING BASE				*		1	
31		B2446372000		GUIDE PIN				*		1	
32		SS3090530SP		SCREW 9/64-40 L=4.5				*		1	
33		14134308		THREAD GUIDE BAR A				*		1	
34		SS6120620TP		SCREW				*		1	
35		14134209		NEEDLE HOLDER BASE				*		1	
36		B2446372000		GUIDE PIN				*		1	
37		MAT61104Z00		SCREW				*		1	
38		WZ0620550KP		WASHER				*		9	
39		29344702		INSTRUCTION MANUAL Z099				*		1	

ATTACHMENT COMPONENTS FOR MODEL MB-1800 (4)

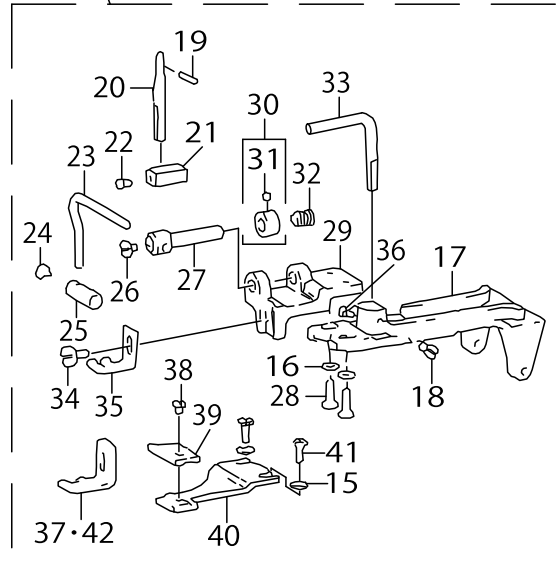
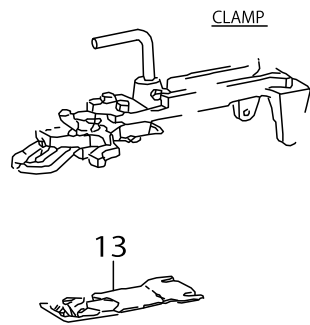
(11)14617559



(13)14617658



(12)Z032



ATTACHMENT COMPONENTS FOR MODEL MB-1800 (4)

No.	Supply Code	Parts No.	Replacement	Parts name	Remarks	Choice	Step	Level	Cons	Qty	Rep. QTY
1		14617559		LARGE BUTTON CLAMP COMPL.						1	
2		D2529373C00A		FEED PLATE LARGE BUTTON				*		1	
3		D2555372CA0		WORK CLAMP FOOT ASM. (LEFT & LARGE)				*		1	
4		SS7090410SP		SCREW 9/64-40 L=3.5				*		1	
5		B2559372000		BUTTON CLAMP LOCATING PIN				*		1	
6	R	D2555372C00	D2555372CA0	WORK CLAMP FOOT ASM. (LEFT)				*		1	1.00
7		D2556372C00		BUTTON HOLDING SPRING LEFT				*		1	
8		D2557372CA0		BUTTON CLAMP LEVER JAW RIGHT				*		1	
9		SS7090410SP		SCREW 9/64-40 L=3.5				*		1	
10		B2559372000		BUTTON CLAMP LOCATING PIN				*		1	
11		D2557372C00		BUTTON HOLDING SPRING RIGHT				*		1	
12		D2558372C00		BUTTON HOLDING SPRING RIGHT				*		1	
13		D2529373B00A		FEED PLATE SMALL BUTTON						1	
14		14617658		SHANK BUTTON CLAMP COMPL.						1	
15		WP0501016SD		WASHER 5X10.5X1				*		2	
16		WP0501016SD		WASHER 5X10.5X1				*		2	
17		B254237200C		BUTTON CLAMP HOLDER				*		1	
18		SS7150940SP		SCREW 15/64-28 L=9				*		1	
19		SS8120740SP		SCREW 3/16-28 L=7				*		1	
20		B2411372000		BUTTON CLAMP STUD				*		1	
21		B2412372000		BUTTON CLAMP BLOCK				*		1	
22		SS7110540SP		SCREW 11/64-40 L=5				*		1	
23		B2405372000		BUTTON CLAMP LEVER				*		1	
24		SS7110710SP		SCREW 11/64-40 L=7				*		1	
25		B2406372000		SHANK BUTTON HOLDING CLAMP				*		1	
26		SS7110570SP		SCREW 11/64-40 L=4.8				*		1	
27		B2402372000		BUTTON CLAMP LEVER HOLDING SHAFT				*		1	
28		SS9621413SP		SCREW 3/16-32 L=13.5				*		2	
29		B240137200B		SHANK BUTTON CLAMP BRACKET				*		1	
30		CS072081ASP		THRUST COLLAR ASM. D=7.24 W=8				*		1	
31		SS8110410TP		SCREW 11/64-40 L=3.5				*		1	
32		B2404372000		SPRING FOR LEVER HOLDING SHAFT				*		1	
33		14602502		LIFTING ROD				*		1	
34		SS6111140SP		SCREW 11/64-40 L=11				*		1	
35		B2408372000		SHANK BUTTON GUARD				*		1	
36		SS7150940SP		SCREW 15/64-28 L=9				*		1	
37		B2419372B00		SHANK BUTTON ADAPTER (B)				*		1	
38		SS6110480SP		SCREW 11/64-40 L=4.3				*		1	
39		B2410372000		BUTTON CLAMP WORKSUPPORTPLATE				*		1	
40		B2470373000		BUTTON CLAMP FEED PLATE				*		1	
41		SS9120910TP		SCREW 3/16-28 L=9				*		2	
42		B2419372A00		SHANK BUTTON ADAPTER (A)				*		1	

HOW TO MAKE USE OF THIS PARTS LIST

1.Explanation of codes

1)"*"mark.....means this part is changed from the previous parts book.

As to the details of the change, refer to the "List for information of change".

2)"#01".....refer to "Note" explanation at bottom of page.

2.Codes on the "Qty" column

• Each numeral indicates the number of parts required.

• "0.1" and "2.5" indicate the length (in meters) of the respective parts.

3.Parentheses mean that the corresponding part is a subpart that constructs an assembly part.

4.Dotted lines on the Figures indicate assembly parts.

1."注記"欄の記号説明

1) "*"印.....前回のパーツブックに比較して今回変更された部品を意味します。

変更内容は、"変更情報リスト"を参照してください。

2) "#01".....ページ下の"注記"の説明を参照してください。

2.数量欄の数字は、個数を表し、0.1、2.5等の数値は、長さ（単位メートル）を表します。

3.数量欄の（ ）は、組部品を構成している子部品であることを意味します。

4.イラストページの-----枠は、組構成であることを意味します。

NUMERICAL INDEX OF PARTS

PART NO	PAGE	REF NO.	PART NO	PAGE	REF NO.	PART NO	PAGE	REF NO.
10004109	2	41	14601306	4	62	14606503	20	38
10108009	10	25	14601405	2	34	14606602	14	1
11155108	24	29	14601603	2	38	14606701	14	2
11155207	24	30	14601801	2	3	14606800	14	11
11157559	24	3	14601900	20	11	14606909	14	3
11157567	24	2	14602007	4	61	14607006	14	4
11157666	24	4	14602106	22	13	14607600	24	1
11157765	24	5	14602205	2	23	14607808	2	32
11157963	24	6	14602304	2	25	14607907	12	1
11158060	24	7	14602403	2	30	14608152	12	12
11158300	24	8	14602502	8	8	14608251	12	21
11158409	24	9	14602502	36	53	14609655	26	1
11158516	24	16	14602502	38	53	14611156	18	46
11158607	24	10	14602502	40	41	14611206	4	76
11158706	24	18	14602502	44	19	14611305	4	78
11158805	24	19	14602502	46	33	14611404	32	3
11158904	24	23	14602551	8	6	14611800	4	13·79
11159001	24	20	14602601	16	5	14617559	46	1
11272408	10	19	14602759	16	1	14617658	46	14
13160304	26	63	14602809	8	29	14617757	40	1
13160304	28	63	14603005	16	17	14617856	40	32
13760707	12	22	14603104	16	27	14617955	36	14
13766308	18	47	14603401	16	21	14618052	36	34
13771704	28	62	14603500	20	1	14618151	44	8
13858808	12	6	14603609	20	6	16627507	16	15
13887005	20	35	14603708	20	7	16992604	10	20
14134050	44	26	14603906	10	13	17007402	24	11
14134100	44	30	14604003	10	14	17008004	6	86
14134159	44	27	14604102	10	15	17848458	26	24
14134209	44	35	14604409	10	31~33	18216457	32	24
14134308	44	33	14604508	10	31~33	18216655	32	34
14146708	28	69	14604607	10	31~33	22602601	2	39
14146757	28	65	14604805	20	2	22932800	26	4
14146807	28	70	14605109	12	36	22933006	26	26
14507156	14	15	14605208	12	32	22933105	26	9
14517601	18	48	14605307	12	38	22933303	26	23
14600407	2	13·79	14605653	16	26	23517808	16	36
14600506	2	14	14605703	16	33	26003756	10	9
14600605	2	1	14605802	16	31	26013805	10	1
14600704	2	17	14605901	20	24	26015206	10	11
14600803	2	20	14606008	20	25	26015404	10	7
14600902	2	5	14606107	20	21	26015503	10	29
14601009	2	8	14606206	20	32	26021402	12	30
14601108	4	51	14606305	20	41	26024604	14	21
14601207	2	27	14606404	20	36	26024703	14	22

NUMERICAL INDEX OF PARTS

PART NO	PAGE	REF NO.	PART NO	PAGE	REF NO.	PART NO	PAGE	REF NO.
26025106	14	26	40054729	26	27	B1903552000	14	5
26025205	8	1	40054730	26	28	B1905541A00	14	7~10
26025502	8	7	40071734	40	60	B1905541B00	14	7~10
26025502	36	16	40071734	42	60	B1905541C00	14	7~10
26025502	44	17	40085784	26	33	B1905541D00	14	7~10
26025700	8	10	40085785	26	34	B2016372000	12	23
26025809	8	11	40085786	26	35	B2019372000	12	24
26025908	8	12	40085787	26	36	B2021372000	12	27
26026005	8	13	40085788	26	37	B240137200B	38	49
26026005	34	40	40085789	26	38	B240137200B	46	29
26026104	8	14	40085790	26	39	B2401372L0AA	40	44
26026203	8	25	40085791	26	40	B2402372000	38	47
26026302	8	15	40085792	26	41	B2402372000	46	27
26026401	8	26	40085793	26	42	B2402372L00	40	47
26026609	8	16	40085794	26	43	B2402372L00	42	47
26026708	8	17	40085795	26	44	B2404372000	38	52
26027003	8	3	40085796	28	47	B2404372000	46	32
26027102	8	4	40096325	26	45	B2404372L00	40	48
26027409	8	28	40096326	28	48	B2404372L00	42	48
26031203	4	48	40096327	28	50	B2405372000	36	43
26031302	4	55	40096354	26	32	B2405372000	46	23
26031351	4	53	40096866	16	37	B2405372L00	40	36
26031401	4	54	40096978	16	35	B2406372000	38	45
26031500	4	58	40102001	14	19	B2406372000	46	25
26031609	4	56	40113237	32	19	B2406372B00	40	38
26031708	4	57	40114058	32	1·2	B2406372L00A	40	16
26031807	20	27	40114059	32	1·2	B24063730A0	16	41
26031906	20	26	40162895	22	21·29	B2408372000	46	35
26034702	26	5	40163030	22	3·28	B2408372B00	42	51
26037200	26	29	B1126111000	12	8	B2408372L00	40	19
26212308	16	16	B1211980000	20	4	B2409373BA0	42	53
26230409	12	41	B1220771000	20	5	B2409373L00	40	54
29344702	44	39	B1232372000	10	34	B2409373L00	42	54
40006323	28	72	B1234372A00	10	5	B2409373LA0	40	23
40010067	2	43	B1235373000	10	3	B2410280000	4	64
40011382	22	3·28	B1236373000	10	2	B2410372000	46	39
40013923	10	35	B1239372000	10	26	B2410372B00	42	55
40013924	10	36	B1241373000	16	40	B2410372L0A	40	26
40022039	28	61	B12413730B0	16	39	B2410372LOB	40	27
40023556	8	9	B1421372000	26	3	B2410372LOC	40	28
40023920	28	57	B1432761000	16	24	B2410373000	16	42
40033635	26	25	B1453761000	16	23	B2411372000	36	40
40038120	20	29	B1513210D00	16	12	B2411372000	46	20
40038121	20	30	B1515210D00	16	14	B2411372L00	40	34
40038122	20	31	B1616210000	12	3	B2412372000	36	41

NUMERICAL INDEX OF PARTS

PART NO	PAGE	REF NO.	PART NO	PAGE	REF NO.	PART NO	PAGE	REF NO.
B2412372000	46	21	B2549372000	44	7	D2529373B00A	46	13
B2412372L00	40	52	B2549372R00A	32	4	D2529373C00A	34	46
B2412372L00	42	52	B2552372B00	36	28	D2529373C00A	46	2
B2413373N00	16	29	B2553372000	36	29	D2555372C00	46	6
B2414373000	26	10	B2555372B00	36	25	D2555372CA0	46	3
B2419372A00	46	37·42	B2557372B00	36	26	D2556372C00	46	7
B2419372B00	46	37·42	B2559372000	32	37	D2557372C00	46	11
B2419372C00	42	50	B2559372000	34	37	D2557372CA0	46	8
B2419372L00	40	18	B2559372000	46	10	D2558372C00	46	12
B2421372000	38	56	B2560372000	34	43	D8113555B00	24	21
B2422372000	38	55	B2560372000	36	27	D8115555B00	24	22
B2423373000	38	58	B2561372000	34	47	D8204555D00	24	32
B2426372L00A	40	49	B2561372000	36	15	D8232555B00	2	11
B2426372L00A	42	49	B3010141H00	20	17	D9317762T00	36	11
B2429372L00	40	37	B3116125000	12	29	GBR01601000A	32	11
B2431372L00	40	43	B3120125000	12	28	GBR01602000	34	41
B2433372L00	40	33	B3129012A00	12	18	GBR01606000	32	8
B2434372L00	40	56	B3130373N00	34	49	GBR01607000	32	9
B2434372L00	42	56	B3132012000	12	26	GPK510010C0	24	36
B2435372L00A	40	59	B3406581000	4	65	GPK570010B0	24	37
B2435372L00A	42	59	B4004210D00	4	59	HD000570000	16	19
B2440373000	36	2	B4416373000	36	10	HD00057000A	4	75
B24403730A0	36	1	B44163730A0	36	9	HD00057000A	14	17
B2441372000	36	3	B4417372000	16	2	HW5F18S1228	30	8
B2442372000	36	5	B4420373000	36	13	HX00065000B	2	44
B24423720A0	36	4	B8103980000	26	11	HX000980000	22	14
B2446372000	44	36	B81085550A0	24	14	HX00150000F	4	81
B2448372000	36	6	B9140372000	26	7·8	HX00237000A	4	74
B2470373000	38	59	B9143372000	26	6	HX00292000A	4	82
B2470373000	46	40	BP600000000	12	43	HX00339000E	22	12
B2529373000	14	25·28	CM200100001	4	47	HX005350000	22	15
B2529373B00A	36	30	CM300100001	2	40	J106600000D	26	7·8
B2541372000	8	2	CM300200001	2	45	M2003630000	22	4
B254237200C	38	48	CM301300001	2	42	M2010630000	30	38
B254237200C	46	17	CM500200001	2	46	M20116300A0	30	35
B2542372L0A	40	42	CM600100101	28	73	M3001630000	22	5
B2544372L00A	40	58	CM600100201	28	56	M85026300A0	22	17
B2544372L00A	42	58	CS072081ASP	38	50	M85046300A0	22	21·29
B2547372000	32	17	CS072081ASP	46	30	M85056300A0	22	18
B2547372000	36	24	CS0790721TH	10	27	M85066300A0	22	19
B2548372000	36	20	CS1001011SH	10	17	M85076300A0	22	20
B2548372R00A	32	13	CS1201010SH	4	63	M85086300A0	16	9
B2549280000	14	6	D2107555B00	30	26	M85096300B0	12	34
B2549372000	2	37	D2118555B00A	30	5	M85126300A0	30	1
B2549372000	36	19	D2529373B00A	14	25·28	M85146300A0	22	22

NUMERICAL INDEX OF PARTS

PART NO	PAGE	REF NO.	PART NO	PAGE	REF NO.	PART NO	PAGE	REF NO.
M85156300A0	30	2	MAZ039010A0	38	62	NS6660511SP	8	5
M85166300A0	30	32	MAZ04101000	44	2	PS0300062KH	12	9
M85176300A0	30	3	MAZ041010A0	44	1	PS0300201KP	12	7
M85186300A0	30	33	MAZ04102000	44	3	RE0250000K0	30	27
M85196300A0	30	39	MAZ04103000	44	5	RE0901110K0	30	10
M85205900A0	24	34	MAZ04404000A	44	10	RO074240100	22	9
M85206300A0	28	64	MAZ04601000	44	23	SB108000500	20	10
M85216300A0	22	27	MAZ046010A0	44	21	SB115000200	20	8
M85236000A0	22	16	MAZ08801000	30	4	SB31000080A	10	21~24
M85405900A0	22	6	MAZ08802000	30	12	SB31000080B	10	21~24
M8601630AA0	22	1	MAZ08803000	30	13	SB31000080C	10	21~24
M86026300A0A	22	2	MAZ08822000A	32	25	SB31000080D	10	21~24
M8901630000	14	13	MAZ0882200AA	32	27	SD0460571CP	30	21
M8903630000	20	15	MAZ088220A0A	32	23	SD0500251SP	2	35
M8904630000	20	13	MAZ088220AAA	32	22	SD0500404SP	32	5
M90135900A0	24	38	MAZ088220B0A	32	20	SD0550181SP	8	19
M90175800A0	22	26	MAZ088220BAA	32	21	SD0550181SP	36	18
M90245800A0	22	23	MAZ08823000A	34	36	SD0550211SP	30	22
M90345800A0	22	25	MAZ0882300AA	32	35	SD0550301SP	8	18
M90355800A0	22	24	MAZ088230A0A	32	32	SD0550301SP	36	23
MAO11532000	26	20	MAZ088230AAA	32	33	SD0550303SP	32	16
MAO25026000	4	70	MAZ088230B0A	32	31	SD0600095TH	16	43
MAO720020A0	24	33	MAZ088230BAA	32	30	SD0600271SP	2	7
MAT03509000	44	29	MAZ088270A0	32	7	SD0600322SD	12	4
MAT60902Z00	38	66	MAZ08828000	32	29	SD0630272SP	16	32
MAT60903Z00A	38	65	MAZ08829000	34	39	SD0630301SP	44	4
MAT60904Z00A	38	69	MAZ16522000	34	45	SD0640241SP	10	10
MAT60905Z00A	38	63	MTQ700B1600	20	22	SD0640391TP	8	20
MAT61104Z00	44	37	MTQ700B1602	26	2	SD0640391TP	34	44
MAT61401Z00	44	11	NM6040003SC	30	36	SD0640391TP	36	33
MAT61402Z00	44	12	NM6043212SA	30	9	SD0640451TP	16	30
MAT61403Z00	44	14	NM6050001SE	28	55	SD0640641SP	14	23
MAT61602Z00	44	25	NM6060002SE	26	19	SD0641003SP	12	5
MAT61603Z00	44	24	NM6080001SE	24	24	SD0790433TP	16	6
MAT64401ZA0	44	9	NM6120001SE	24	15	SD0790641SP	2	12
MAT80110L00	20	19	NM6160013SN	28	60	SD0800681SP	4	69
MAT80113T00	30	6	NS6080210SP	32	10	SD0801021TP	20	43
MAT80115T00	30	7	NS6090310SP	4	66	SK3311601SE	24	31
MAZ00906000	38	68	NS6090310SP	32	12	SK3412001SE	26	13
MAZ02504000	30	18	NS6110310SP	30	20	SK3482001SE	24	35
MAZ02505000	30	19	NS6110420SP	16	38	SK3482001SE	26	21
MAZ02506000	30	15	NS6150310SP	4	84	SK3483201SE	24	28
MAZ025060A0	30	14	NS6150430SP	4	68	SL4030591SC	12	35
MAZ02507000A	30	16	NS6150430SP	16	25	SL4030881SC	22	8
MAZ03901000	38	70	NS6160520SP	12	25	SL4031091SC	4	72

NUMERICAL INDEX OF PARTS

PART NO	PAGE	REF NO.	PART NO	PAGE	REF NO.	PART NO	PAGE	REF NO.
SL4031091SC	14	18	SS6121050SP	16	22	SS7150940SP	32	18
SL4031091SC	16	20	SS6121220TP	30	23	SS7150940SP	36	37
SL4040681SC	22	10	SS6151040SP	2	28	SS7150940SP	44	16
SL9061291SE	24	25	SS6151812TP	4	67	SS7150940SP	46	36
SL9082091SE	24	26	SS6151812TP	20	39	SS7151210SP	2	31
SM1033501SC	22	7	SS6660710TP	2	2	SS7661540SP	16	10
SM4020301SC	10	37	SS7080310SP	16	44	SS8110310SP	10	8
SM4040601SB	30	28	SS7080510TP	20	23	SS8110410TP	10	6
SM4040655SP	26	30	SS7090410SP	8	27	SS8110410TP	38	51
SM4051405SE	28	54	SS7090410SP	46	9	SS8110410TP	46	31
SM6030402TP	16	3	SS7090520TP	32	38	SS8120740SP	36	39
SM6061202TP	26	14	SS7090520TP	34	38	SS8120740SP	40	57
SM6083042CH	4	50	SS7090610SP	12	10	SS8120740SP	42	57
SM6088502TP	6	88	SS7090620TP	10	28	SS8120740SP	46	19
SM8050602TP	14	12	SS7090620TP	40	35	SS8150410TP	10	30
SM8050602TP	30	34	SS7090850SP	14	16	SS8150510TP	20	16
SM9062003SC	6	91	SS7091480SP	32	6	SS8150822TP	16	28
SM9065513SF	26	15	SS7110340SP	30	29	SS8151150TP	10	16
SS1110710SP	10	4	SS7110350SP	4	49	SS8153010SR	4	83
SS2110920TP	16	45	SS7110410SP	10	38	SS8660512TP	10	18
SS3090530SP	44	32	SS7110410SP	12	37	SS8660512TP	20	3
SS4110515SP	2	33	SS7110410SP	20	14	SS8660612TP	20	37
SS4120615SP	30	31	SS7110510SP	4	60	SS9090813TP	28	67
SS4120915SP	2	52	SS7110510SP	12	2	SS9090813TP	44	28
SS4120915SP	4	52	SS7110510SP	16	34	SS9091010SP	34	42
SS4150715SP	2	26	SS7110540SP	36	42	SS9110453TP	20	33
SS4150715SP	12	31	SS7110540SP	46	22	SS9110513TP	36	8
SS4150915SP	2	24	SS7110570SP	38	46	SS9110620TP	12	33
SS5060310SP	30	17	SS7110570SP	44	22	SS9120623TP	14	24·27
SS5060310SP	44	13	SS7110570SP	46	26	SS9120643TP	12	42
SS5080710SP	44	6	SS7110710SP	30	37	SS9120643TP	14	24·27
SS6060440TP	4	71	SS7110710SP	36	44	SS9120910TP	36	38
SS6080340SP	28	68	SS7110710SP	46	24	SS9120910TP	46	41
SS6080340SP	38	67	SS7110720SP	40	39	SS9150910SP	22	11
SS6091210TP	20	28	SS7110730SP	40	6	SS9621413SP	8	23
SS6110420TP	6	89	SS7110740TP	2	21	SS9621413SP	32	14
SS6110480SP	38	57	SS7110840SP	2	15	SS9621413SP	36	60
SS6110480SP	46	38	SS7110840SP	10	12	SS9621413SP	38	60
SS6111052TP	4	80	SS7110840SP	14	20	SS9621413SP	40	45
SS6111052TP	14	14	SS7110840SP	20	12	SS9621413SP	44	18
SS6111140SP	38	54	SS7110840SP	26	22	SS9621413SP	46	28
SS6111140SP	40	40	SS7111110TP	20	42	SS9660720SP	4	73
SS6111140SP	46	34	SS7150740SP	2	85	TA1050504R0	2	19
SS6120620TP	44	34	SS7150740SP	4	85	WP0370316SD	28	71
SS6121050SP	12	39	SS7150940SP	8	22	WP0371026SD	16	4

NUMERICAL INDEX OF PARTS

PART NO	PAGE	REF NO.
WP0430800SD	12	11
WP0430800SD	26	31
WP0430801SC	34	48
WP0450000SD	20	20
WP0450826SC	12	40
WP0480856SP	20	34
WP0480856SP	30	30
WP0501016SD	2	16
WP0501016SD	8	24
WP0501016SD	32	15
WP0501016SD	36	61
WP0501016SD	38	61
WP0501016SD	40	46
WP0501016SD	42	46
WP0501016SD	44	20
WP0501016SD	46	16
WP0531000SD	2	36
WP0531001SC	28	53
WP0560860SE	16	13
WP0612056SE	26	17
WP0621016SD	6	90
WP0621016SD	20	40
WP0641600SC	26	16
WP0650876SD	16	11
WP0651056SD	6	92
WP0704016SP	4	77
WP0751576SD	36	12
WP0753016SZ	12	44
WP0871602SE	24	27
WP1302501SE	24	12
WP1612616SE	26	46
WP1702600S0	28	59
WS0410002KS	30	11
WS0510002KN	28	52
WS0510002KP	2	22
WS0521010KN	30	24
WS0610002KR	26	18
WS0650389KP	2	6
WS0820002KP	6	87
WS1253010KN	24	13
WS1643202KR	28	58
WZ0620550KP	44	38