

MODEL : AMS-210DHL6350/AL6

List No : 1301-00

# PARTS LIST

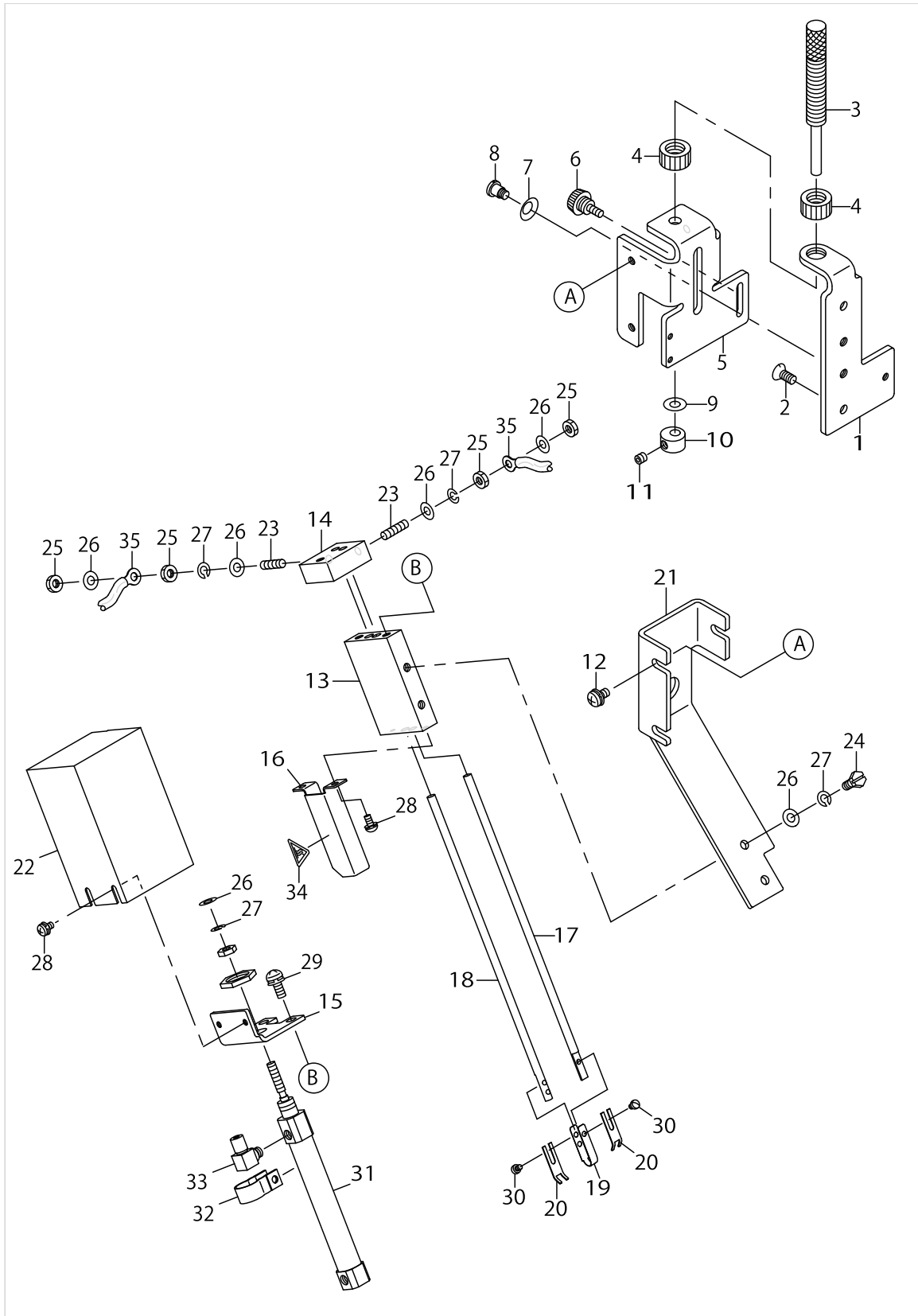
Published:05/12/2017

## CONTENTS

---

UPPER HOT-WIRE COMPONENTS .....	1
LOWER HOT-WIRE COMPONENTS.....	3
NEEDLE THREAD FEEDER COMPONENTS.....	5
SOLENOID VALVE & OTHER COMPONENTS (1).....	7
SOLENOID VALVE & OTHER COMPONENTS (2).....	9
ELECTRICAL EQUIPMENT COMPONENTS .....	11
HOW TO MAKE USE OF THIS PARTS LIST .....	13

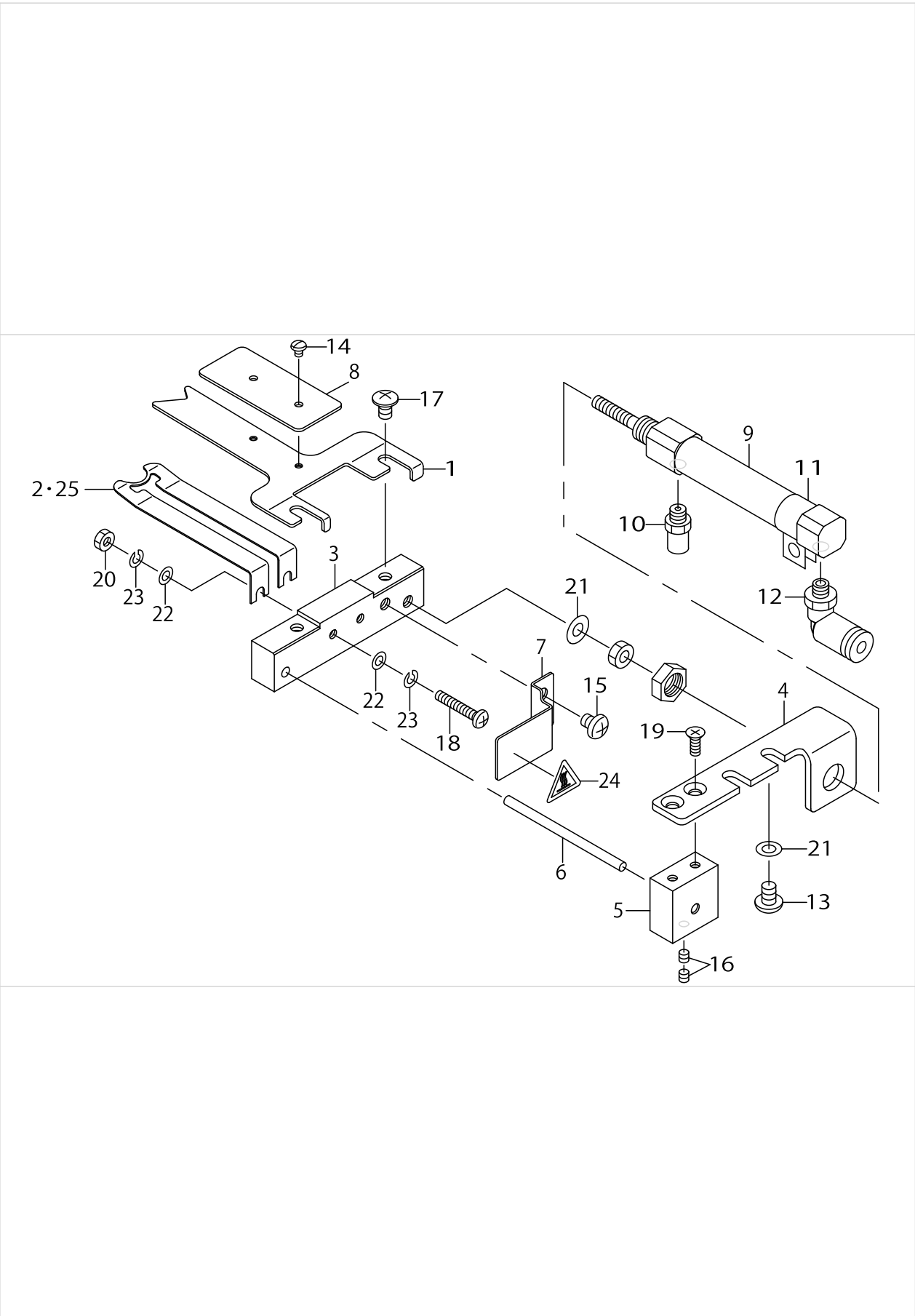
UPPER HOT-WIRE COMPONENTS



UPPER HOT-WIRE COMPONETNS

No.	Supply Code	Parts No.	Replacement	Parts name	Remarks	Choice	Step	Level	Cons	Qty	Rep. QTY
1		D1015D10N0H		ADJUST PLATE						1	
2		SS2111010TP		SCREW 11/64-40 L=9.5						2	
3		12114716		PRESSER REGULATOR SCREW						1	
4		12114807		PRESSER REGULATOR NUT						2	
5		D1001D10N0H		FIXED PLATE						1	
6		B2549372000		CLAMP SCREW A						1	
7		B3125155000		DISK SPRING						2	
8		SD0550451SP		HINGE SCREW						2	
9		WP0531001SC		WASHER						1	
10		B3418245000		SPRING HOLDER						1	
11		SS8110422TP		SCREW 11/64-40 L=4						1	
12		SL4040891SC		SCREW M4 L=8						3	
13	D	D4001D10P0P		SLIDE SHAFT GUIDE						1	
14		D4002D10P0P		HEATER SHAFT FIXED BASE						1	
15		D4003D10P0P		CYLINDER FITTING BASE						1	
16		D4004D10P0P		HOT-WIRE PROTECT COVER						1	
17		D4005D10P0P		HOT-WIRE SHAFT						1	
18		D4006D10P0P		HOT-WIRE						1	
19		D4007D10P0P		HOT-WIRE PLATE						1	
20		D4008D10P0P		HOT-WIRE GUIDE PLATE						2	
21		D4009D10P0P		UPPER HOT-WIRE FITTING PLATE						1	
22		D4010D10P0P		UPPER HOT-WIRE COVER						1	
23		SM8041552TP		SCREW M4 L=15						2	
24		SM9041050SC		SCREW M4X0.7 L=10						2	
25		NM6040003SC		NUT M4						4	
26		WP0430801SC		WASHER 4.3X9X0.8						7	
27		WS0410002KN		SPRING WASHER						5	
28		SL4030691SC		SCREW M3X6						4	
29		SL4041091SC		SCREW M4 L=10						2	
30		SS7060310SP		SCREW 3/32-56 L=3						3	
31		PA1004510A0		AIR CYLINDER						1	
32		PX5000500A0		BRACKET						1	
33		PJ046052503		HOSE ELBOW						2	
34		CM300300001		SEAL						1	
35		D5021D10NAH		HEATER CORD ASM.						2	

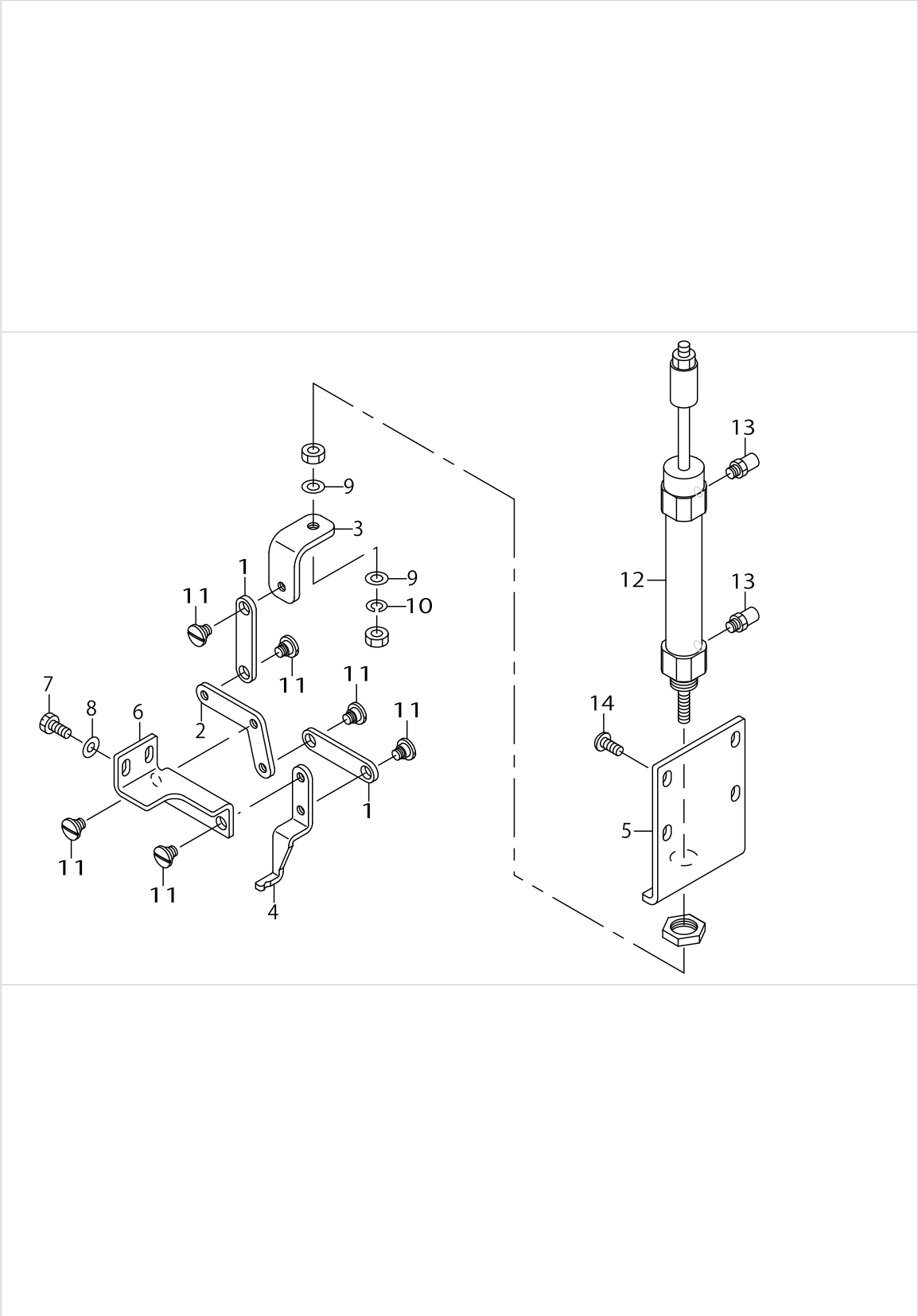
LOWER HOT-WIRE COMPONENTS



LOWER HOT-WIRE COMPONENTS

No.	Supply Code	Parts No.	Replacement	Parts name	Remarks	Choice	Step	Level	Cons	Qty	Rep. QTY
1	D	D4017D10P0P		LOWER THREAD FEEDER						1	
2		D4018D10P0P		LOWER HOT-WIRE						1	
3		D4019D10P0P		THREAD TRIMMER BASE						1	
4		D2001D10N0H		CYLINDER STAY						1	
5		D2003D10N0H		GUIDE BASE						1	
6		D2004D10N0H		GUIDE BAR						1	
7		D2005D10N0H		COVER						1	
8		D2007D10N0H		INSULATING PLATE G						1	
9		PA1003024A0		AIR CYLINDER						1	
10		PJ032052503		HOSE NIPPLE						1	
11		PX5000500A0		BRACKET						1	
12		PJ304040504		ELBOW UNION						1	
13		SS4110615SP		SCREW 11/64-40 L=6						2	
14		SS4060310SP		SCREW 3/32-56 L=2.5						2	
15		SM4040501SN		SCREW M4X0.7 L=5						1	
16		SM8030302TP		SCREW M3X0.5 L=3						2	
17		SM0040601SC		SCREW M4X0.7 L=6						2	
18		SM4031851SR		SCREW						2	
19		SM1030801SC		SCREW M3 L=8						2	
20		NM6030001SC		NUT M3						2	
21		WP0430800SC		WASHER M4						3	
22		WP0320500SC		WASHER M3						4	
23		WS0310002KN		SPRING WASHER M3						4	
24		CM300300001		SEAL						1	
25	D	D4018D10P0PA		LOWER HOT-WIRE	OPTIONAL PARTS					1	

NEEDLE THREAD FEEDER COMPONENTS

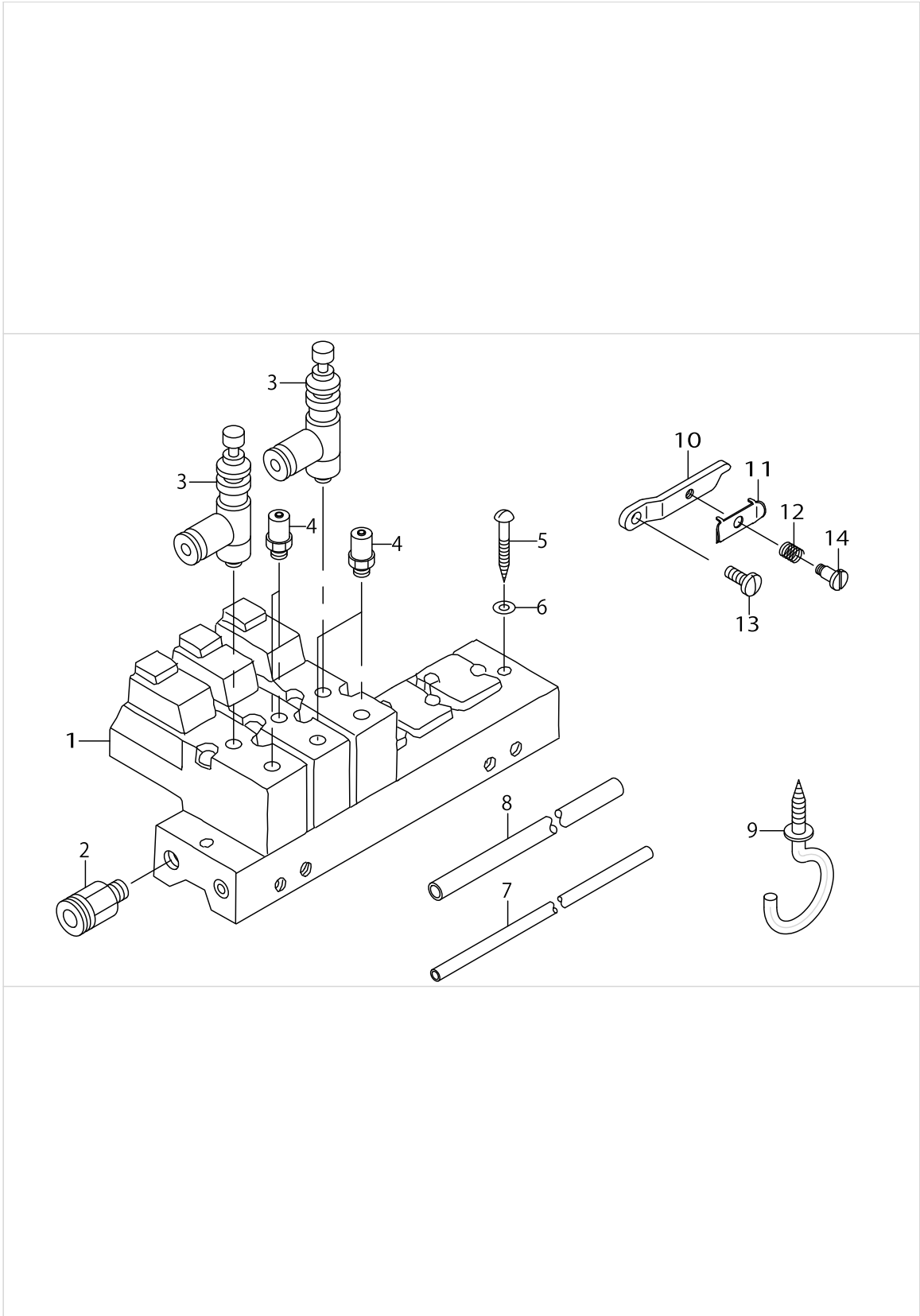


NEEDLE THREAD FEEDER COMPONENTS

No.	Supply Code	Parts No.	Replacement	Parts name	Remarks	Choice	Step	Level	Cons	Qty	Rep. QTY
1	D	D4011D10POP		CONNECTING ARM						2	
2	D	D4012D10POP		V FORM CONNECTING ARM						1	
3		D4013D10POP		CYLINDER CONNECTING ARM						1	
4		D4014D10POP		UPPER THREAD EXORCIZE						1	
5		D4015D10POP		CYLINDER STAY						1	
6	D	D4016D10POP		FITTING BASE						1	
7		SS9111010SP		SCREW 11/64-40 L=9.5						2	
8		WP0450801SD		WASHER 4.5X10X0.8						2	
9		WP0531001SC		WASHER						2	
10		WS0510002KN		SPRING WASHER						1	
11		SD0640271TP		HINGE SCREW						6	
12		PA1604003A0		AIR CYLINDER						1	
13		PJ032052503		HOSE NIPPLE						2	
14		SS4111015SP		SCREW11/64-40L=10						4	



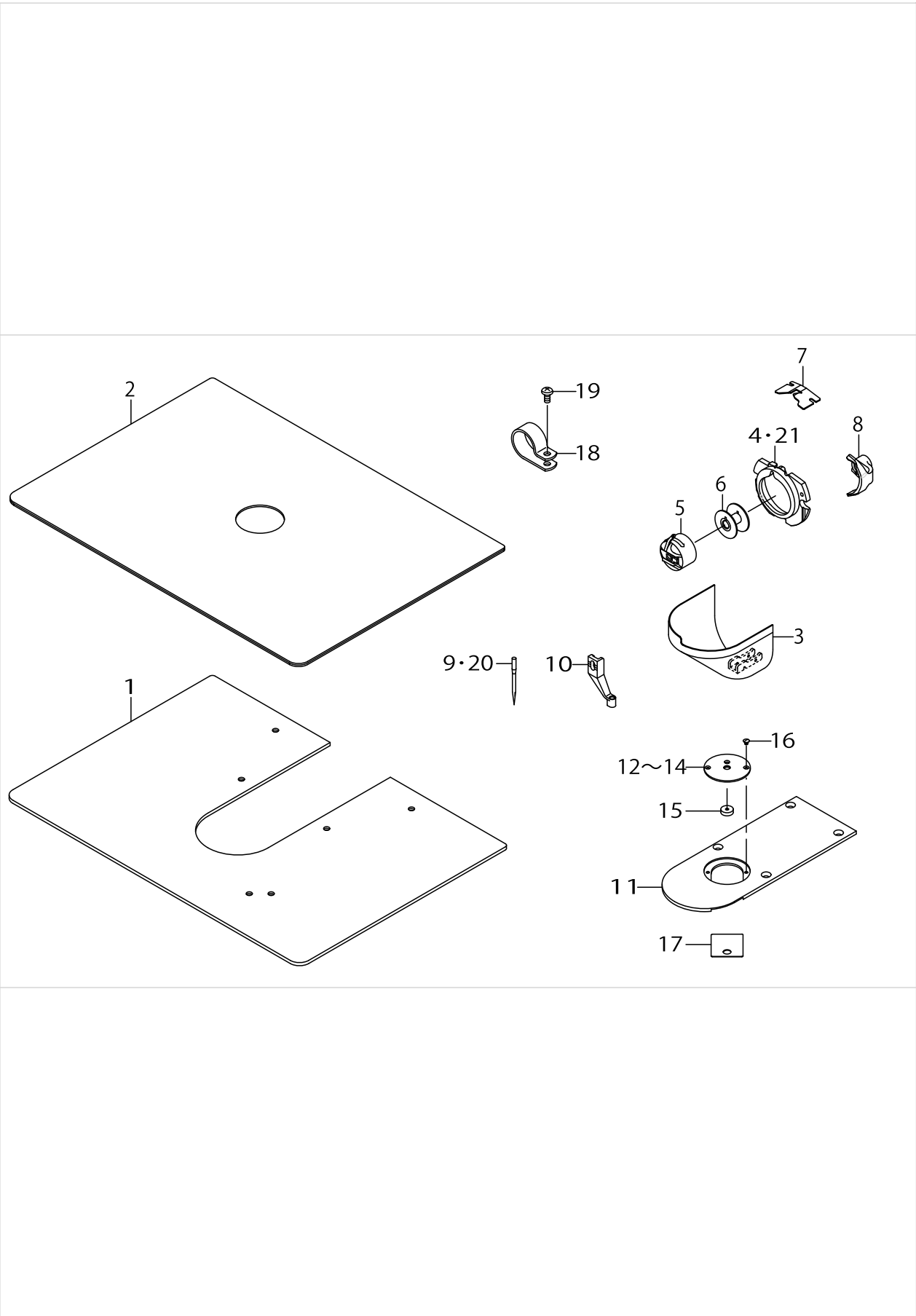
SOLENOID VALVE & OTHER COMPONENTS (1)



SOLENOID VALVE & OTHER COMPONENTS (1)

No.	Supply Code	Parts No.	Replacement	Parts name	Remarks	Choice	Step	Level	Cons	Qty	Rep. QTY
1		PV0351240B0		SOLENOID VALVE ASM.						1	
2		PJ301065103		HALF UNION 6XPT1/8						1	
3		PF070501000		PRESSURE DECREASING VALVE						2	
4		PJ032052503		HOSE NIPPLE						4	
5		SK3312500SE		WOOD SCREW D=3.1 L=25						2	
6		WP0320500SC		WASHER M3						2	
7		BT0400251EB		URETHANE HOSE, BLACK						7.6	
8		BT0600401EB		TUBE						.8	
9		MAT81163T00		CORD HOLDER						1	
10	D	B1145210000		INSTALLING BASE						1	
11		10129104		THREAD PRESSER PLATE						1	
12		B1132521000		THREAD PRESSER PLATE SPRING						1	
13	R	SS7090910SP	SS7090910TP	SCREW 9/64-40 L=8.5						1	1.00
14		SD0380551SL		HINGE SCREW D= 3.80 H= 5.5						1	

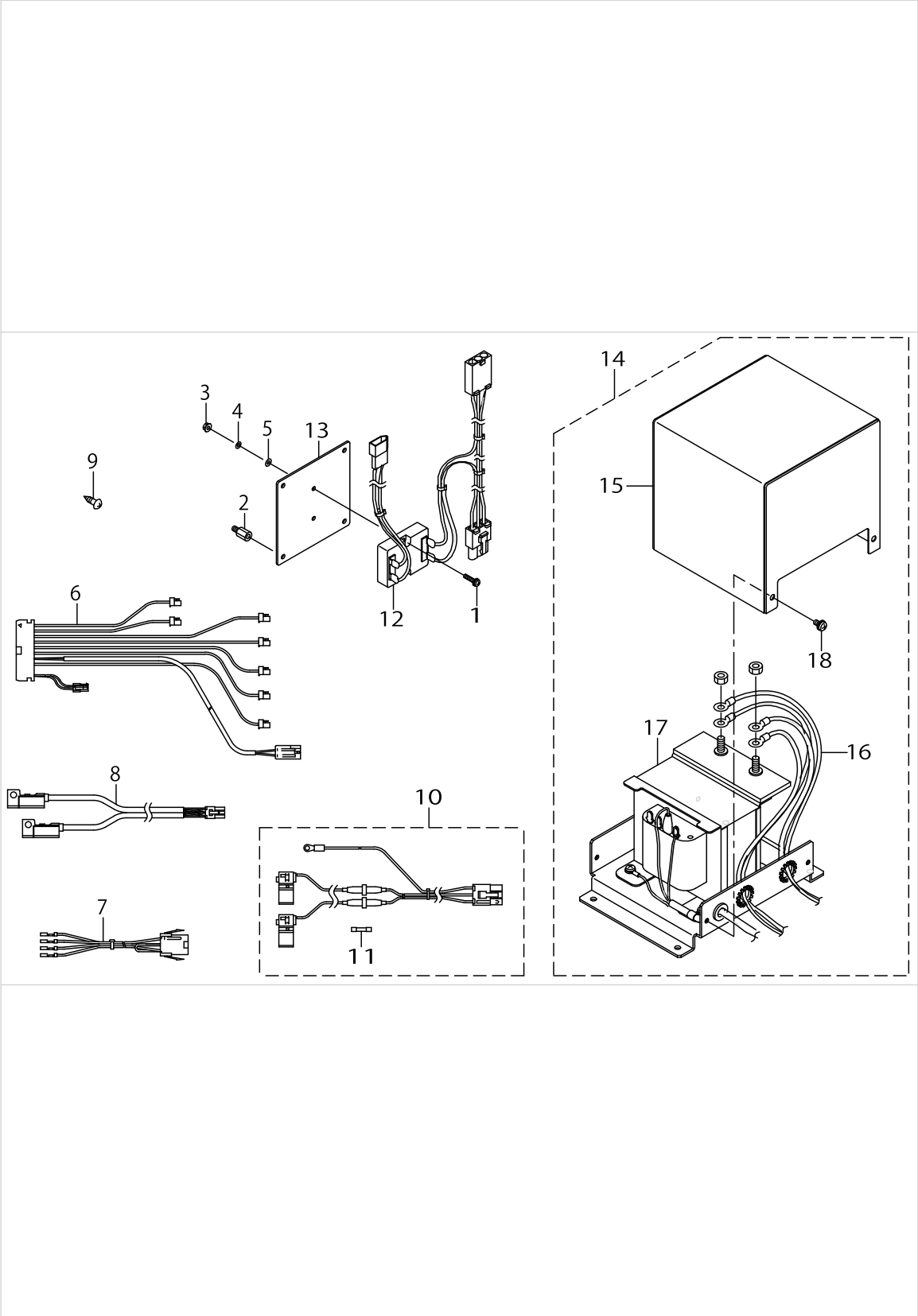
SOLENOID VALVE & OTHER COMPONENTS (2)



SOLENOID VALVE & OTHER COMPONENTS (2)

No.	Supply Code	Parts No.	Replacement	Parts name	Remarks	Choice	Step	Level	Cons	Qty	Rep. QTY
1		D4005D10N0H		NEEDLE PLATE SU-PPORT COVER(AL)						1	
2		D4006D10N0H		COVER SHEET						1	
3		D4007D10N0H		CYLINDER ARM CAP						1	
4		D4008D10NAH		SHUTTLE RACE RING ASM.,H						1	
5		B1828210DAC		BOBBIN CASE ASM.						1	
6		B1806210D0A		BOBBIN						1	
7		B1815210D0A		SPRING						1	
8		D4009D10N0H		SHUTTLE DRIVER (FOR #8)						1	
9		MDP170B2600		NEEDLE DPX17 #26						1	
10		B1601210D0CA		INTERMEDIATE PRESSER C						1	
11	D	D4001D10N0H		NEEDLE PLATE						1	
12		D4002D10N0H		NEEDLE HOLE GUIDE D=4.5						1	
13		D4002D10N0K		NEEDLE HOLE GUIDE D=3.5	OPTIONAL PARTS					1	
14	D	D4021D10P0P		ELLIPSE NEEDLE HOLE GUIDE	OPTIONAL PARTS					1	
15		D4004D10N0H		HOT-WIRE SUPPORT						1	
16		SS2060320SP		SCREW 3/32-56 L= 3.2						3	
17		D4003D10N0H		INSULATING PLATE F						1	
18		HX00150000M		CABLE CLIP						3	
19		SS4110915SP		SCREW 11/64-40 L=9						3	
20		MDP170B2500		NEEDLE DPX17 #25	OPTIONAL PARTS					1	
21		B1817210DAE		SHUTTLE RACE RING ASM.,E	OPTIONAL PARTS					1	

ELECTRICAL EQUIPMENT COMPONENTS



ELECTRICAL EQUIPMENT COMPONENTS

No.	Supply Code	Parts No.	Replacement	Parts name	Remarks	Choice	Step	Level	Cons	Qty	Rep. QTY
1		SL4031481SC		SCREW M3 X 14						2	
2		HX003390000		STUD						4	
3		NM6030001SC		NUT M3						2	
4		WS0310002KN		SPRING WASHER M3						2	
5		WP0320500SC		WASHER M3						2	
6		D5001D10PAP		SOLENOID VALVE CABLE A ASM.						1	
7	D	D5004D10PAP		SENSOR RELAY CORD						1	
8		D5011D10NAH		CYLINDER SENSOR ASM.						1	
9		SK3451601SC		WOOD SCREW						4	
10		D5017D10NAHA		HEATER POWER SUPPLY CORD ASM.						1	
11	D	HF001400100		FUSE						2	
12		D5026D10NAH		HEATER RELAY ASM.						1	
13		D5025D10N0H		HEATER RELAY INSTALLING PLATE						1	
14		D5020D10NAH		HEATER TRANSFORMER COMPL.						1	
15		G5604341000		TRANSFORMER COVER						1	
16		D5021D10NAH		HEATER CORD ASM.						4	
17		D5022D10NAH		HEATER TRANSFORMER ASM.						1	
18		SL4040891SC		SCREW M4 L=8						4	

## HOW TO MAKE USE OF THIS PARTS LIST

1.As to "#01" and "#02" refer to the "Note" given at the bottom of the respective pages.

2.Codes on the "Qty" column

- Each numeral indicates the number of parts required.
- "0.1" and "2.5" indicate the length (in meters) of the respective parts.

3.Parentheses mean that the corresponding part is a subpart that constructs an assembly part.

4.Dotted lines on the Figures indicate assembly parts.

1. リストページの# 0 1、# 0 2の印は、ページ下の"注記"の説明を参照下さい。
2. 数量欄の数字は、個数を表し、0. 1、2. 5等の数値は、長さ（単位メートル）を表します。
3. 数量欄の（ ）は、組部品を構成している子部品であることを意味します。
4. イラストページの-----枠は、組構成であることを意味します。

# NUMERICAL INDEX OF PARTS

PART NO	PAGE	REF NO.	PART NO	PAGE	REF NO.	PART NO	PAGE	REF NO.
10129104	8	11	D4012D10P0P	6	2	SD0640271TP	6	11
12114716	2	3	D4013D10P0P	6	3	SK3312500SE	8	5
12114807	2	4	D4014D10P0P	6	4	SK3451601SC	12	9
B1132521000	8	12	D4015D10P0P	6	5	SL4030691SC	2	28
B1145210000	8	10	D4016D10P0P	6	6	SL4031481SC	12	1
B1601210D0CA	10	10	D4017D10P0P	4	1	SL4040891SC	2	12
B1806210D0A	10	6	D4018D10P0P	4	2·25	SL4040891SC	12	18
B1815210D0A	10	7	D4018D10P0PA	4	2·25	SL4041091SC	2	29
B1817210DAE	10	4·21	D4019D10P0P	4	3	SM0040601SC	4	17
B1828210DAC	10	5	D4021D10P0P	10	12~14	SM1030801SC	4	19
B2549372000	2	6	D5001D10PAP	12	6	SM4031851SR	4	18
B3125155000	2	7	D5004D10PAP	12	7	SM4040501SN	4	15
B3418245000	2	10	D5011D10NAH	12	8	SM8030302TP	4	16
BT0400251EB	8	7	D5017D10NAHA	12	10	SM8041552TP	2	23
BT0600401EB	8	8	D5020D10NAH	12	14	SM9041050SC	2	24
CM300300001	2	34	D5021D10NAH	2	35	SS2060320SP	10	16
CM300300001	4	24	D5021D10NAH	12	16	SS2111010TP	2	2
D1001D10N0H	2	5	D5022D10NAH	12	17	SS4060310SP	4	14
D1015D10N0H	2	1	D5025D10N0H	12	13	SS4110615SP	4	13
D2001D10N0H	4	4	D5026D10NAH	12	12	SS4110915SP	10	19
D2003D10N0H	4	5	G5604341000	12	15	SS4111015SP	6	14
D2004D10N0H	4	6	HF001400100	12	11	SS7060310SP	2	30
D2005D10N0H	4	7	HX00150000M	10	18	SS7090910SP	8	13
D2007D10N0H	4	8	HX003390000	12	2	SS8110422TP	2	11
D4001D10N0H	10	11	MAT81163T00	8	9	SS9111010SP	6	7
D4001D10P0P	2	13	MDP170B2500	10	9·20	WP0320500SC	4	22
D4002D10N0H	10	12~14	MDP170B2600	10	9·20	WP0320500SC	8	6
D4002D10N0K	10	12~14	NM6030001SC	4	20	WP0320500SC	12	5
D4002D10P0P	2	14	NM6030001SC	12	3	WP0430800SC	4	21
D4003D10N0H	10	17	NM6040003SC	2	25	WP0430801SC	2	26
D4003D10P0P	2	15	PA1003024A0	4	9	WP0450801SD	6	8
D4004D10N0H	10	15	PA1004510A0	2	31	WP0531001SC	2	9
D4004D10P0P	2	16	PA1604003A0	6	12	WP0531001SC	6	9
D4005D10N0H	10	1	PF070501000	8	3	WS0310002KN	4	23
D4005D10P0P	2	17	PJ032052503	4	10	WS0310002KN	12	4
D4006D10N0H	10	2	PJ032052503	6	13	WS0410002KN	2	27
D4006D10P0P	2	18	PJ032052503	8	4	WS0510002KN	6	10
D4007D10N0H	10	3	PJ046052503	2	33			
D4007D10P0P	2	19	PJ301065103	8	2			
D4008D10NAH	10	4·21	PJ304040504	4	12			
D4008D10P0P	2	20	PV0351240B0	8	1			
D4009D10N0H	10	8	PX5000500A0	2	32			
D4009D10P0P	2	21	PX5000500A0	4	11			
D4010D10P0P	2	22	SD0380551SL	8	14			
D4011D10P0P	6	1	SD0550451SP	2	8			