

MODEL : LU-1560/LU-1560-7

List No : 1280-02

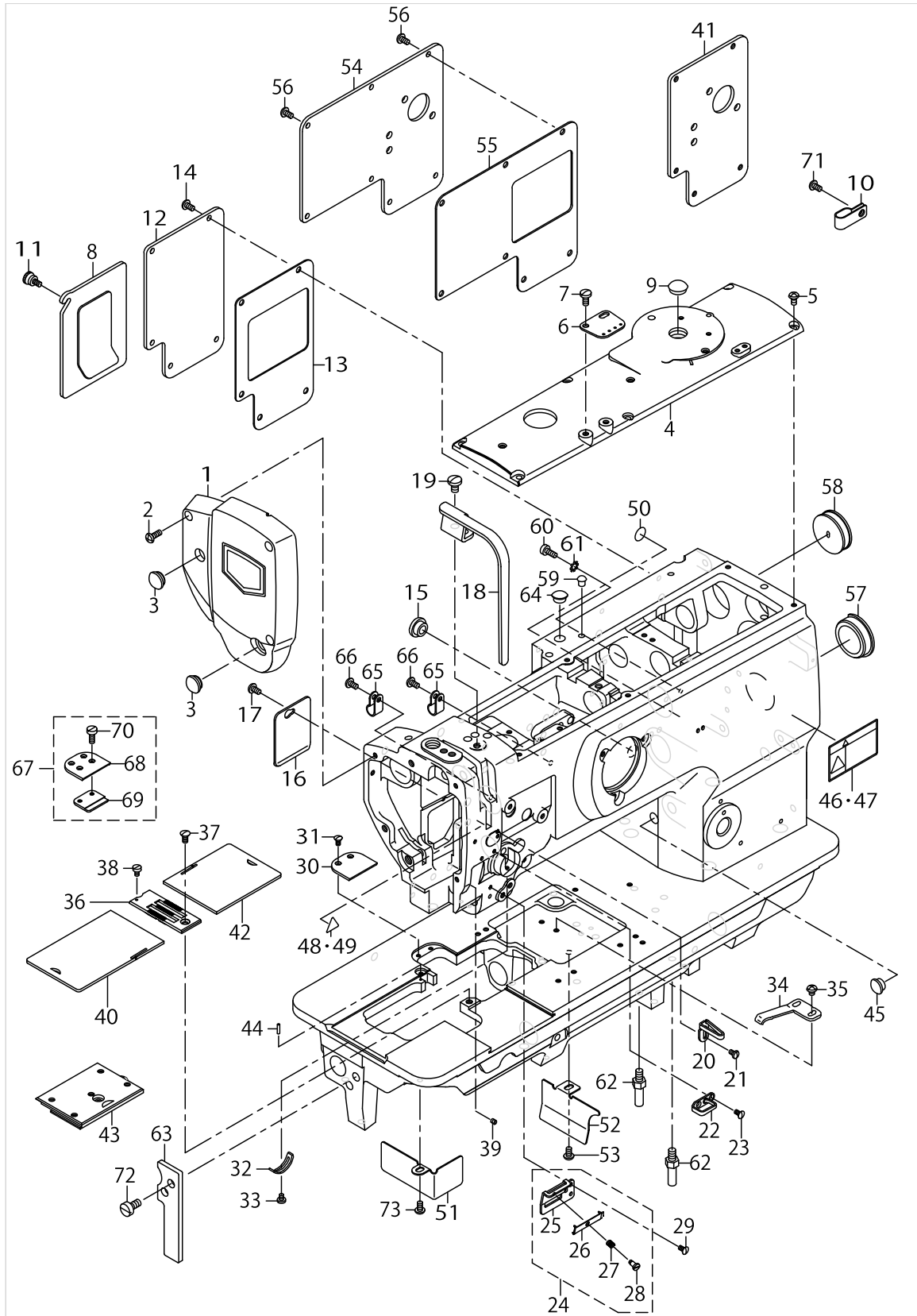
PARTS LIST

Published:05/12/2017

CONTENTS

FRAME & MISCELLANEOUS COVER COMPONENTS	1
UPPER SHAFT,LOWER SHAFT DRIVING & BALANCE COMPONENTS	5
NEEDLE BAR ROCKING COMPONENTS	9
HOOK SHAFT & LOWER SHAFT COMPONENTS	11
PRESSURE ADJUSTING & UPPER FEED MECHANISM COMPONENTS	15
FEED MECHANISM COMPONENTS.....	21
THREAD CUTTING COMPONENTS.....	25
LUBRICATION COMPONENTS	29
KNEE LIFTING COMPONENTS	33
LOWER THREAD WINDER MECHANISM COMPONENTS	35
AUTOMATIC PRESSER LIFTING MECHANISM (OPTION) COMPONENTS.....	37
THREAD STAND COMPONENTS.....	39
OPTIONAL PARTS (ADDITIONAL SPRING FOR PRESSER BAR) COMPONENTS	41
BELT COVER & OIL RESERVOIR COMPONENTS.....	43
AUTOMATIC BACK COMPONENTS (FOR LU-1560-7)	45
THREAD TENSION COMPONENTS (FOR 1560-7)	47
THREAD TENSION COMPONENTS (FOR LU-1560).....	49
AIR MECHANISM COMPONENTS (FOR LU-1560-7)	51
SUSPENSION SQUARE (OPTION) COMPONENTS.....	53
ACCESSORIES PARTS COMPONENT	55
TABLE OF EXCHANGING GAUGE PARTS.....	57
LIST FOR INFORMATION OF CHANGE.....	61
HOW TO MAKE USE OF THIS PARTS LIST	62

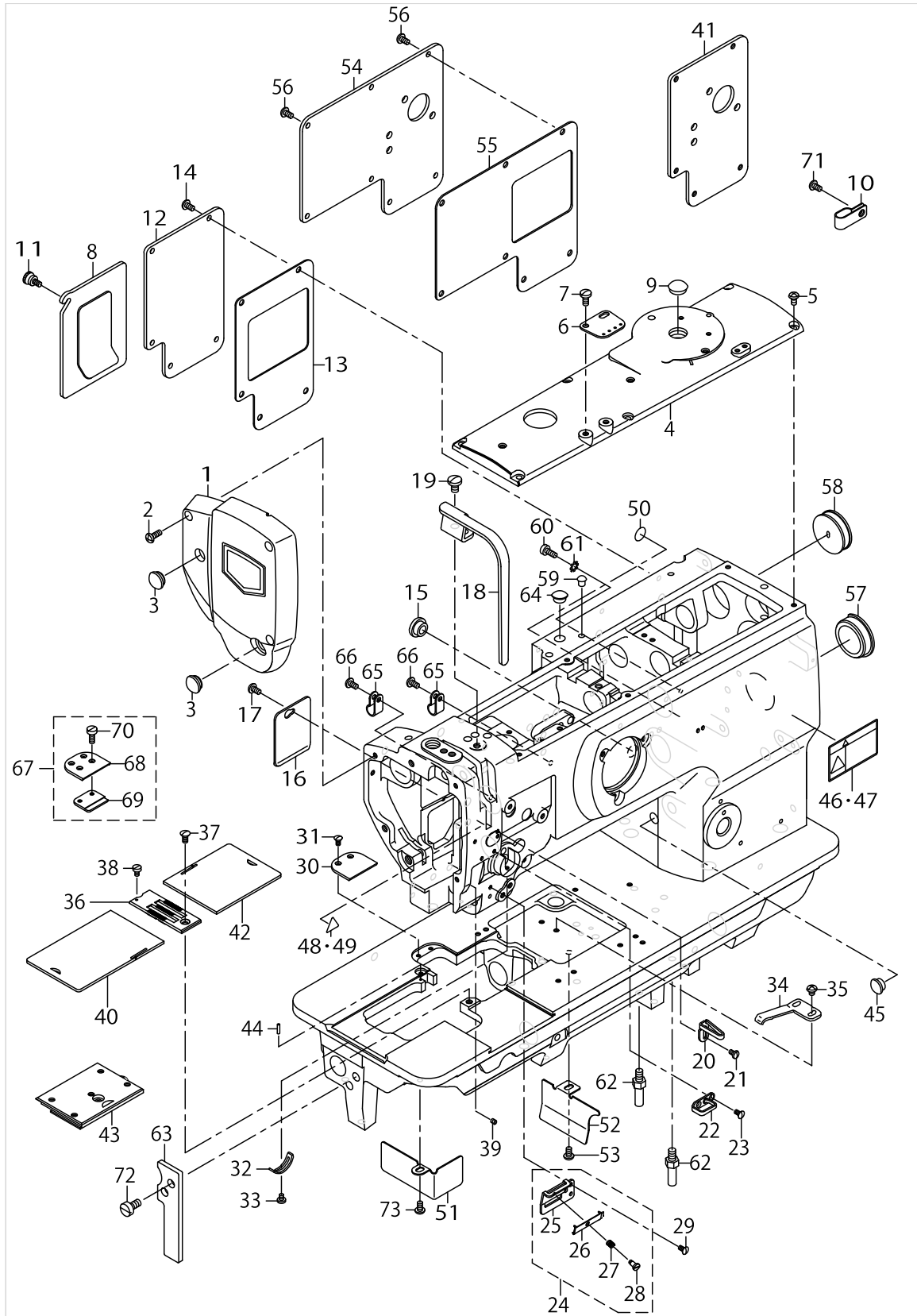
FRAME & MISCELLANEOUS COVER COMPONENTS



FRAME & MISCELLANEOUS COVER COMPONENTS

No.	Supply Code	Parts No.	Replacement	Parts name	Remarks	Choice	Step	Level	Cons	Qty	Rep. QTY
1		21331558		FACE PLATE ASM.						1	
2		SS4111215SP		SCREW 11/64-40L=12						3	
3		TA1250406R0		RUBBER PLUG D=12.5 L=4						2	
4		21331301		TOP COVER B						1	
5		SS4110815SP		SCREW 11/64-40 L=8						6	
6		21355904		ARM THREAD GUIDE						1	
7		SS7621040SP		SCREW 3/16-32L=9.5						2	
8		21331756		WINDOW PLATE A ASM.	FOR LU-1560					1	
9		TA1450404R0		RUBBER PLUG D=14.5 L=4	FOR LU-1560					1	
10		D2112555B00		CORD HOLDER, LARGE	FOR LU-1560-7					1	
11		21331202		SETSCREW	FOR LU-1560					1	
12		21331806		WINDOW PLATE B	FOR LU-1560					1	
13		21332002		WINDOW PLATE PACKING B	FOR LU-1560					1	
14		SS4110815SP		SCREW 11/64-40 L=8	FOR LU-1560					5	
15		TA1250504R0		RUBBER PLUG						1	
16		21332309		SIDE COVER						1	
17		SS4110815SP		SCREW 11/64-40 L=8						1	
18		21331608		BALANCE COVER						1	
19		SS7150910TP		SCREW 15/64-28 L=9						1	
20	R	21355805	40108674	THREAD GUIDE						1	1.00
21		SS5090610SP		SCREW 9/64-40 L=6						1	
22		B1129051000		FRAME THREAD GUIDE, UPPER						1	
23		SS2090710TP		SCREW 9/64-40 L=7.2						2	
24		21408554		THREAD GUIDE ASM.						1	
25	R	21408505	21408554	THREAD GUIDE PLATE				*		1	1.00
26		17912106		NEEDLE THREAD PRESSER PLATE				*		1	
27		B1132521000		THREAD PRESSER PLATE SPRING				*		1	
28		SD0380551SL		HINGE SCREW D= 3.80 H= 5.5				*		1	
29		SS2090710TP		SCREW 9/64-40 L=7.2						1	
30		22651202		AUXILIARY COVER	FOR LU-1560-7					1	
31		SS2090710TP		SCREW 9/64-40 L=7.2						2	
32		B3138512000		TAKE-UP SPRING A-DJUSTING PLATE						1	
33		SS7090520TP		SCREW 9/64-40 L=4.5						1	
34		B1111563000		BED SLIDE SPRING						1	
35		SS4110515SP		SCREW 11/64-40 L=5						2	
36		21366406		NEEDLE PLATE 3/8	EXCHANGI- NG GAUGE PARTS					1	
37		SS2110920TP		SCREW 11/64-40 L=8.5						1	
38	R	SS6090630SP	SS6090630TP	SCREW 9/64-40 L=6						1	1.00
39	R	SS8090410TP	SS8090410SP	SCREW 9/64-40 L=3.9						1	1.00
40		21365606		BED SLIDE(LEFT) A	SELECTIVE PART					1	
41		21348909		WIDOW PLATE D	OPTIONAL PARTS					1	
42		21365002		BED SLIDE(RIGHT) A	SELECTIVE PART					1	
43		22650055		BED SLIDE ASM.						1	
44		B1104051000		THROAT PLATE PIN						1	
45		TA1050504R0		RUBBER PLUG						1	

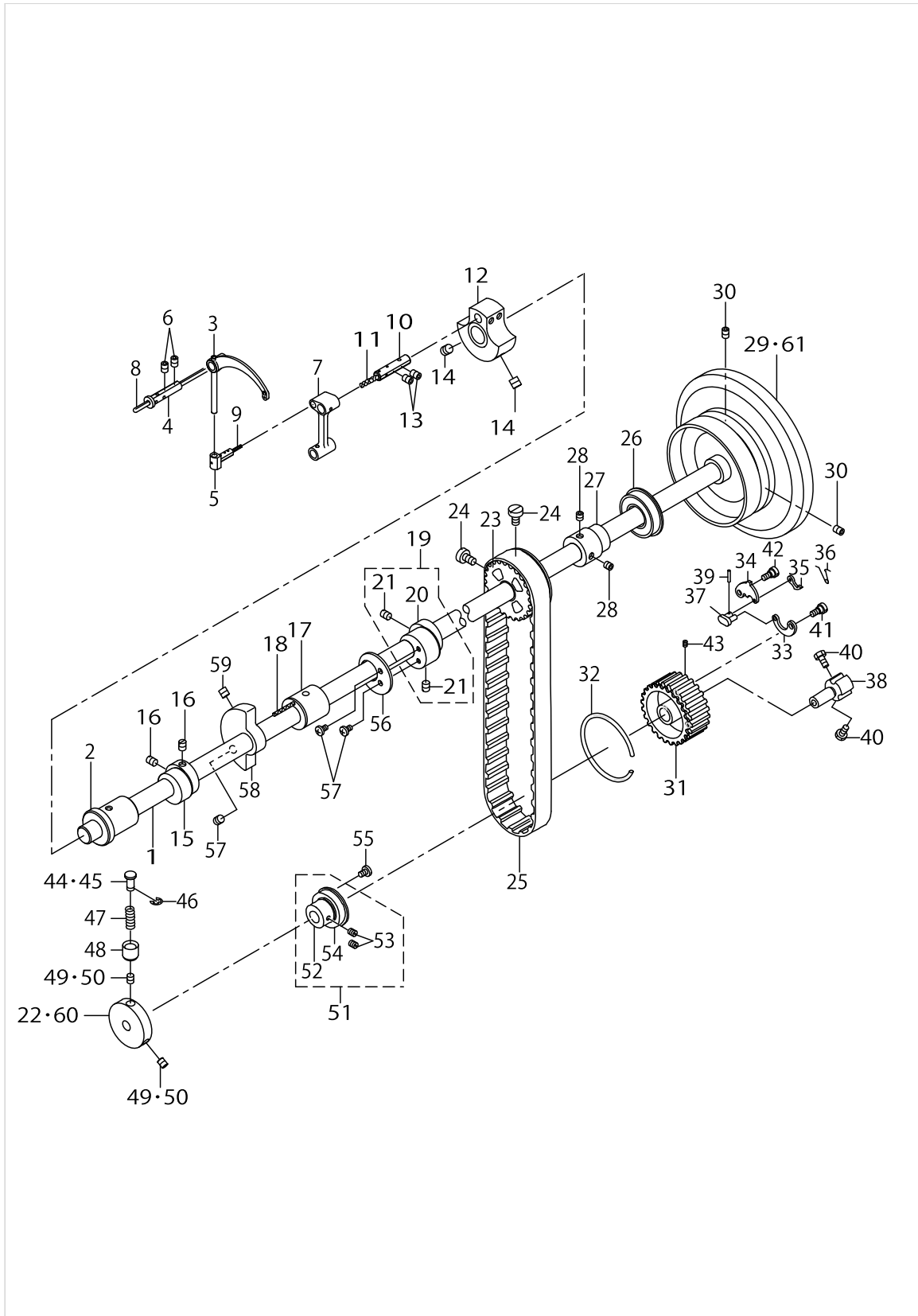
FRAME & MISCELLANEOUS COVER COMPONENTS



FRAME & MISCELLANEOUS COVER COMPONENTS

No.	Supply Code	Parts No.	Replacement	Parts name	Remarks	Choice	Step	Level	Cons	Qty	Rep. QTY
46		CM300200101		SAFETY LABEL, 1(SMALL).	FOR JAPAN					1	
47		CM3002001A1		SAFETY LABEL.,3 (SMALL).	EXCEPT JAPAN					1	
48		CM3002000B1		LABEL(16)	FOR JAPAN					1	
49		CM300200001		ATTENTION SEAL	EXCEPT JAPAN					1	
50	R	10004109	22901805	GROUND MARK						1	1.00
51		21332200		OIL SHIELD (LEFT)						1	
52	D	22877609		DUST COVER	FOR LU-1560					1	
53		SS4110815SP		SCREW 11/64-40 L=8	FOR LU-1560					1	
54	R	21331905	40107950	WINDOW PLATE C	FOR LU-1560-7					1	1.00
55		21332101		WINDOW PLATE PACKING C	FOR LU-1560-7					1	
56		SS4110815SP		SCREW 11/64-40 L=8	FOR LU-1560-7					6	
57		22619100		CAP						1	
58		10201200		RUBBER PLUG						1	
59		TA0550604R0		RUBBER PLUG	FOR LU-1560-7					1	
60		SS6111140SP		SCREW11/64-40L=11	FOR LU-1560-7					1	
61		WT0530002KS		TOOTHED WASHER D=5.3	FOR LU-1560-7					1	
62		22602601		BED SCREW STUD						2	
63		21361407		BEDSUPPORTPLATE						1	
64		TA1050504R0		RUBBER PLUG						1	
65		HX00123000A		CABLE CLIP	FOR LU-1560-7					2	
66		SS4110815SP		SCREW 11/64-40 L=8	FOR LU-1560-7					2	
67		23208556		AUXILIARY COVER ASM.	FOR LU-1560					1	
68		23208507		AUXILIARY COVER	FOR LU-1560			*		1	
69	R	23208606	23208556	SLIDING PLATE SUPPORT	FOR LU-1560			*		1	1.00
70		SS6111140SP		SCREW11/64-40L=11	FOR LU-1560-7			*		2	
71		SS4110815SP		SCREW 11/64-40 L=8						1	
72		SS6151210SP		SCREW15/64-28L=12						2	
73		SS4110815SP		SCREW 11/64-40 L=8						1	

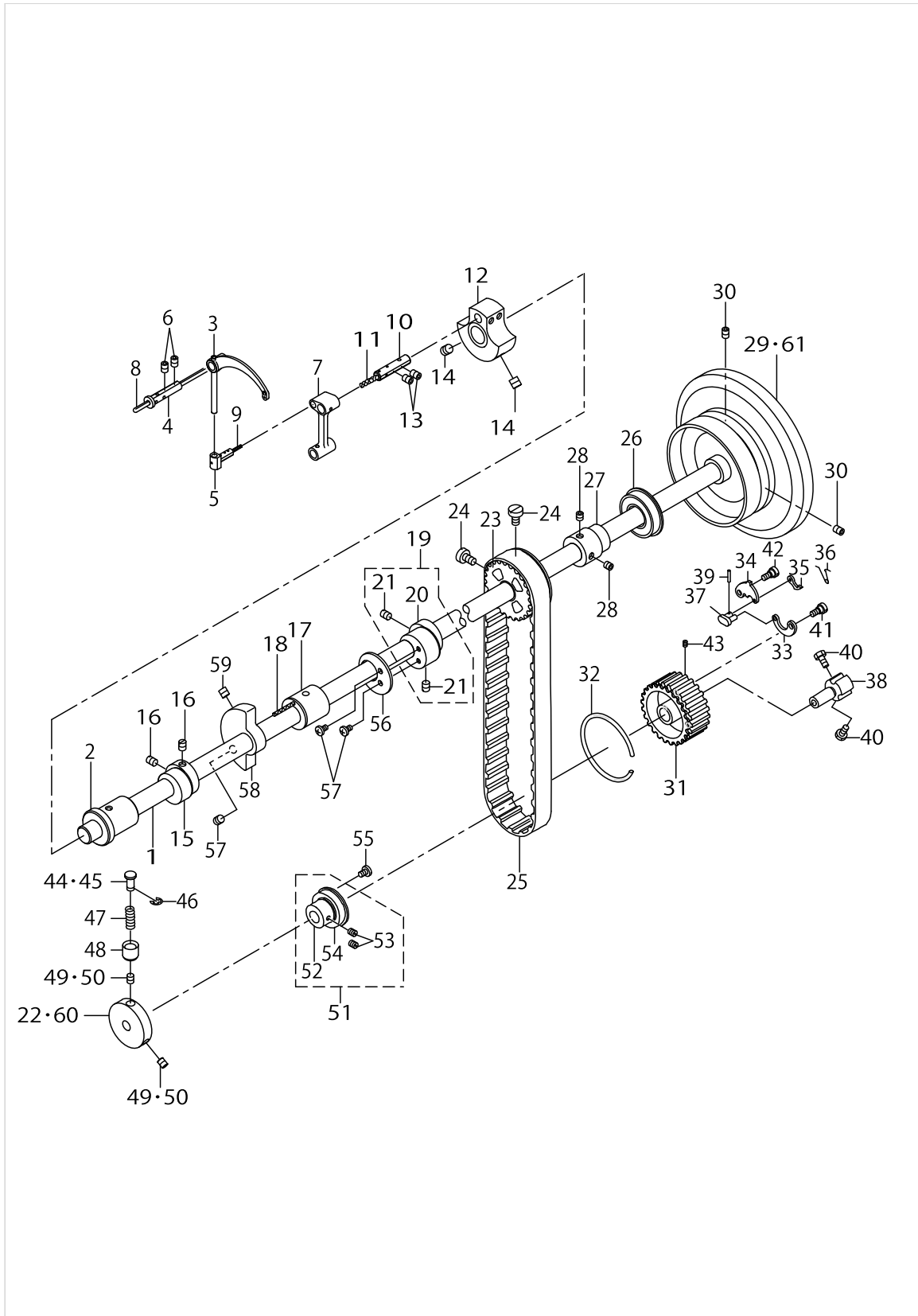
UPPER SHAFT, LOWER SHAFT DRIVING & BALANCE COMPONENTS



UPPER SHAFT,LOWER SHAFT DRIVING & BALANCE COMPONENTS

No.	Supply Code	Parts No.	Replacement	Parts name	Remarks	Choice	Step	Level	Cons	Qty	Rep. QTY
1		21332705		UPPER SHAFT						1	
2		21333000		UPPER SHAFT FRONT METAL						1	
3		B1905520000		THREAD TAKE-UP LEVER						1	
4		B1906051000		TAKE-UP LEVER PIN						1	
5		B1907057000		THRUST PIN						1	
6		SS8150822TP		SCREW 15/64-28 L=8						2	
7		21339106		NEEDLE BAR CRANK ROD						1	
8		CQ303000000		OIL WICK						.45	
9		CQ202000000		OIL WICK						.03	
10		B1210051000		NEEDLE BAR CRANK PIN						1	
11		CQ505000000		OIL WICK						.03	
12		21332507		COUNTER WEIGHT (A) (36MM)						1	
13		SS8150822TP		SCREW 15/64-28 L=8						2	
14		SM8080812TP		SCREW M8X8						2	
15	R	21339502	21339551	UPPERFEEDCAM(3.5)	FOR LU-1560					1	1.00
16		SS8660810TP		SCREW 1/4-40 L=8						2	
17		21333109		UPPER SHAFT INNER METAL						1	
18		CQ202000000		OIL WICK						.15	
19		21336557		ECCENTRIC CAM A ASM.						1	
20	R	21336508	21336557	ECCENTRIC CAM A				*		1	1.00
21		SS8660810TP		SCREW 1/4-40 L=8				*		2	
22		21333703		SAFETY CLUTCH DISC						1	
23		22604904		UPPER SPROCKET						1	
24		SS6661110SP		SCREW 1/4-40 L=11						2	
25		22604300		TIMING BELT						1	
26		B1203512000		BUSHING, REAR						1	
27		10704906		UPPER SHAFT BEARING HOOK						1	
28		SM8060602TP		SCREW M6X6						2	
29	D	21332804		FLYWHEEL	FOR LU-1560-7					1	
30		SS8150822TP		SCREW 15/64-28 L=8						2	
31		21333505		LOWER SPROCKET						1	
32		B1214019000		SPROCKET RING						1	
33		B1305055000A		SAFETY CLUTCH SPRING						1	
34	R	B1307055000	21387600	SAFETY CLUTCH HOOK						1	1.00
35		B1308055000		SAFETY CLUTCH COUNTER-HOOK						1	
36	R	B1309055000	40113224	COUNTER-HOOK SPRING						1	1.00
37		B1310055000		SAFETY CLUTCH SMALL LINK						1	
38		10503605		SAFETY BASE						1	
39		B1314055000		SAFETY CLUTCH SMALL LINK PIN						1	
40		SS6661110SP		SCREW 1/4-40 L=11						2	
41		SD0640322TP		HINGE SCREW D= 6.35 H= 3.2						1	
42		SD0640322TP		HINGE SCREW D= 6.35 H= 3.2						1	
43		SS8090540SP		SCREW 9/64-40 L=5						1	
44		B1312563000A		SAFETY CLUTCH PUSH BUTTON	FOR LU-1560					1	
45	R	21333802	40104367	SAFETY CLUTCH PUSH BUTTON	FOR LU-1560-7					1	1.00
46		RE0500000K0		E-RING						1	

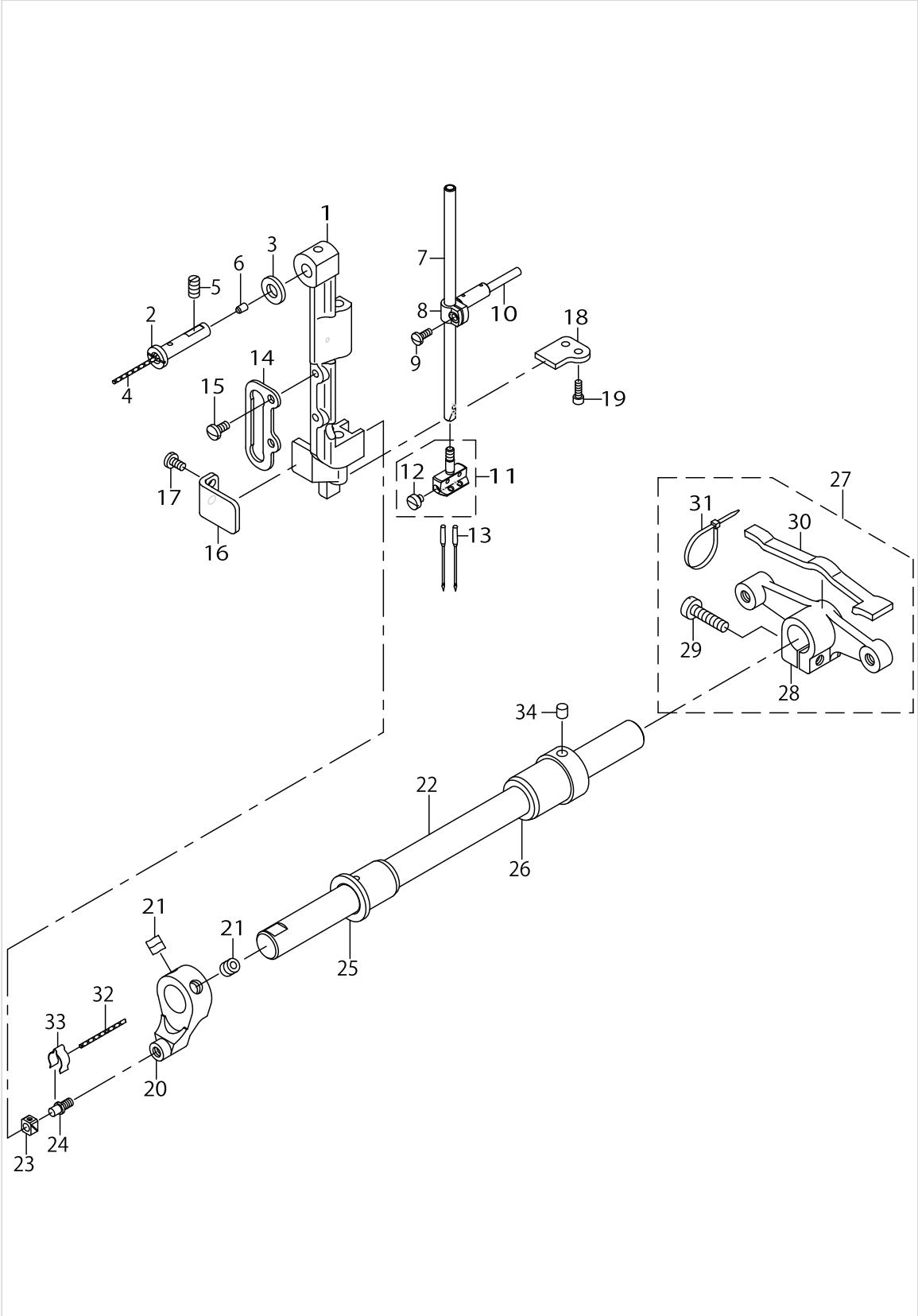
UPPER SHAFT, LOWER SHAFT DRIVING & BALANCE COMPONENTS



UPPER SHAFT,LOWER SHAFT DRIVING & BALANCE COMPONENTS

No.	Supply Code	Parts No.	Replacement	Parts name	Remarks	Choice	Step	Level	Cons	Qty	Rep. QTY
47		B1639051000		SPRING						1	
48		B1313055000		SAFETY CLUTCH KNOB SLEEVE						1	
49		SS8150710TP		SCREW 15/64-28 L=7	FOR LU-1560					2	
50		SS8660530TP		SCREW 1/4-40 L= 4.5	FOR LU-1560-7					2	
51		22611651		THRUST COLLAR ASM., B						1	
52		22611602		THRUST COLLAR, B				*		1	
53		SS8661030SP		SCREW 1/4-40 L=10				*		2	
54		SB120000200		BEARING 20X42				*		1	
55		SS7120760SP		SCREW 3/16-28 L=7.0						2	
56		21353008		HORIZONTAL FEED CAM COVER						1	
57		SS7110710SP		SCREW 11/64-40 L=7						2	
58		21333406		BALANCER	FOR LU-1560					1	
59		SS8151550SP		SCREW 15/64-28 L=15	FOR LU-1560					2	
60		21333901		SAFETY CLUTCH DISC	FOR LU-1560-7					1	
61		21334008		FLYWHEEL	FOR LU-1560					1	

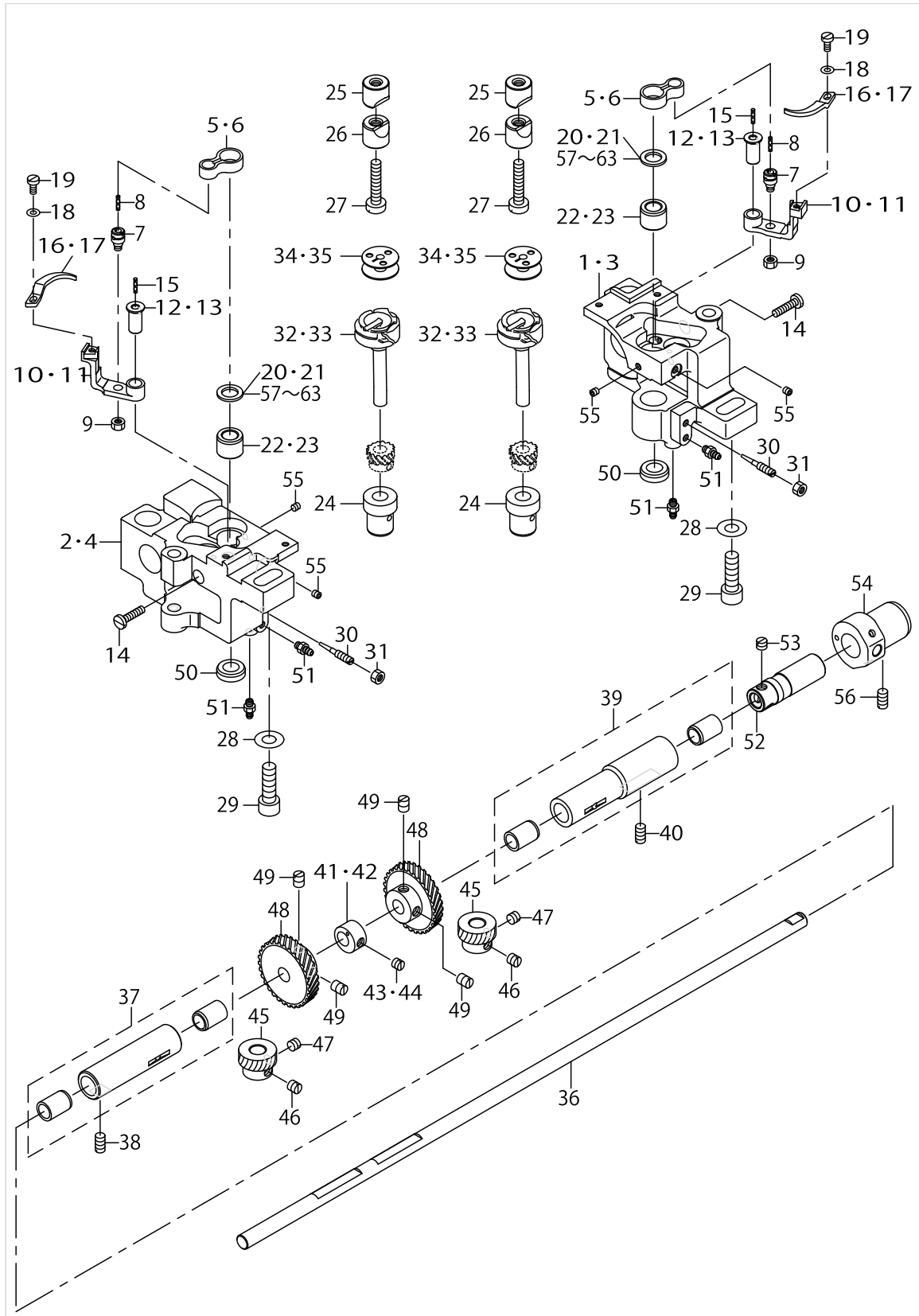
NEEDLE BAR ROCKING COMPONENTS



NEEDLE BAR ROCKING COMPONENTS

No.	Supply Code	Parts No.	Replacement	Parts name	Remarks	Choice	Step	Level	Cons	Qty	Rep. QTY
1		21362504		NEEDLE BAR FRAME						1	
2		21339403		HINGE STUD						1	
3		B185351200CA		HOOK SHAFT WASHER, C						1	
4		CQ202000000		OIL WICK						.05	
5		SS8151150TP		SCREW 15/64-28 L=10.5						1	
6		TA0370601M0		PLUG D=3.9X4 L=6						1	
7		B1401518000		NEEDLE BAR						1	
8		B1411521000		NEEDLERODHOLDER						1	
9	R	SS7090910SP	SS7090910TP	SCREW 9/64-40 L=8.5						1	1.00
10		B1412051000		FELT						1	
11		21368451		NEEDLE CLAMP 3/8 ASM.	EXCHANGI- NG GAUGE PARTS (O- RDER FOR NEEDLE C- LAMP ONLY CANNOT B- E ACCEPTED)					1	
12		SS6090410TP		SCREW 9/64-40 L=3.5				*		2	
13		MC372001600		NEEDLE SY3355 160						2	
14		B1467563000		UPPER FEED BAR GUIDE						1	
15		SS7110910TP		SCREW 11/64-40 L= 8.5						2	
16		21338702		ROCKING BASE GUIDE						1	
17		SS7110830SP		SCREW 11/64-40 L= 7.5						2	
18		21338603		ROCKING BASE GUIDE (B)						1	
19		SS6091022TP		SCREW						2	
20		21338801		ROCKINGFRONTARM						1	
21		SM8080802TP		SCREW						2	
22		21338900		ROCKING SHAFT						1	
23		B1414232000		SQUARE BLOCK						1	
24		B1410771000		STUD						1	
25		21339304		ROCKING SHAFT FRONT METAL						1	
26	D	21339205		ROCKING SHAFT REAR METAL						1	
27		21339056		ROCKING REAR ARM ASM.						1	
28		21339007		ROCKING REAR ARM				*		1	
29		SS6152440SP		SCREW 15/64-28 L=23.5				*		1	
30		21347406		ROCKING REAR ARM FELT				*		1	
31		EA9500B0100		CABLE BAND				*		2	
32		CQ202000000		OIL WICK						.05	
33		B1437051000		OIL WICK RETAINER						1	
34		22814909		FELT						1	

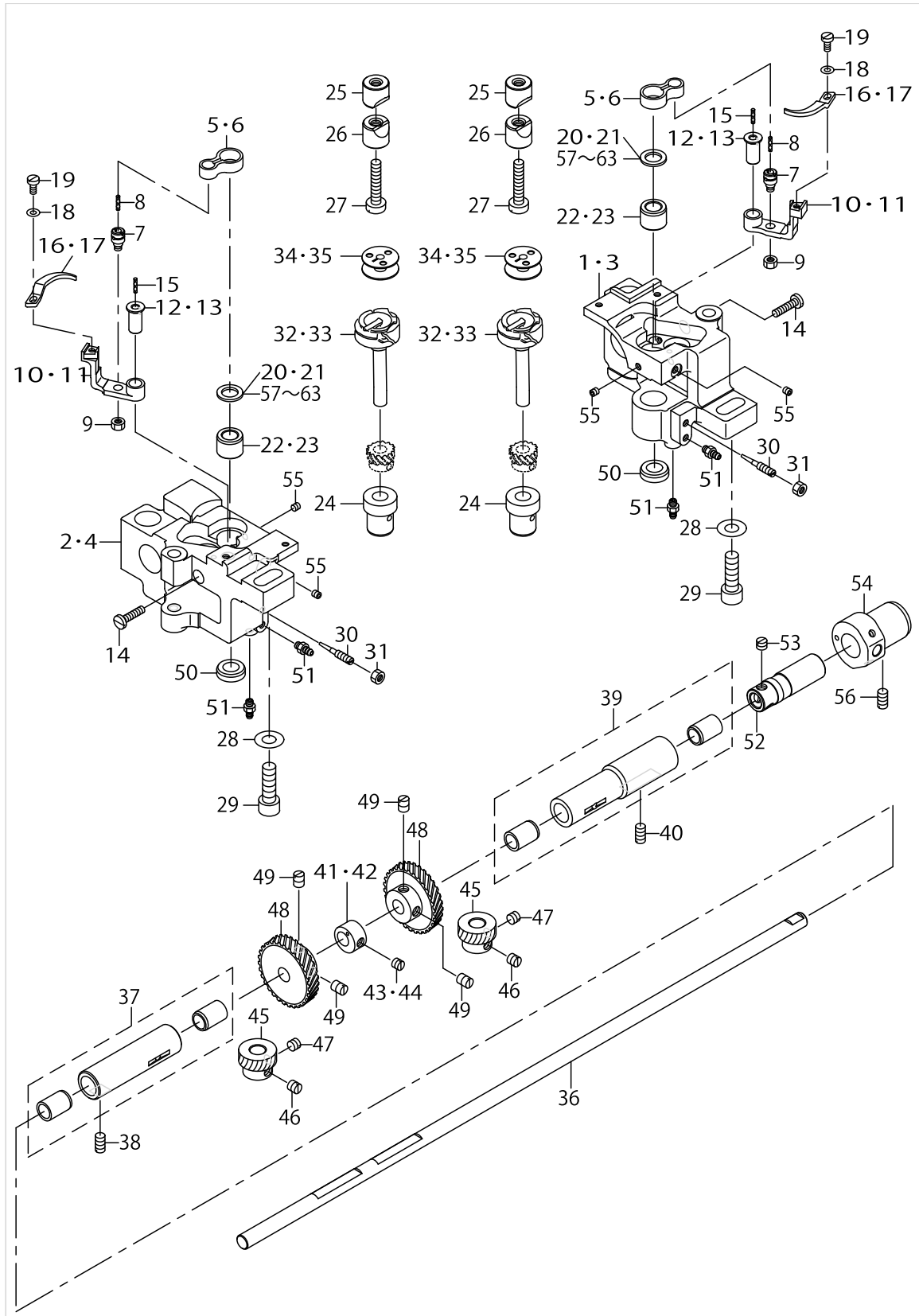
HOOK SHAFT & LOWER SHAFT COMPONENTS



HOOK SHAFT & LOWER SHAFT COMPONENTS

No.	Supply Code	Parts No.	Replacement	Parts name	Remarks	Choice	Step	Level	Cons	Qty	Rep. QTY
1	R	21335203	21390000	SHAFT BASE (RIGHT)	FOR LU-1560-7					1	1.00
2	D	21362207		HOOK SHAFT BASE (LEFT)	FOR LU-1560-7					1	
3		21335104		HOOK SHAFT BASE (RIGHT)	FOR LU-1560					1	
4		21362108		HOOK SHAFT BASE (LEFT)	FOR LU-1560					1	
5		21334909		INNER HOOK GUIDE LINK	FOR LU-1560-7					2	
6		B1820563000		BOBBIN CASE OPENING LEVER LINK	FOR LU-1560					2	
7		B1821051000		CRANK SCREW STUD						2	
8		CQ202000000		OIL WICK						.02	
9		NS6110420SP		NUT 11/64-40						2	
10		21335500		GUIDE ARM (FOR THREAD CUTTING)	FOR LU-1560-7					2	
11		B1822563000		BOBBIN CASE OPENING LEVER CRAN	FOR LU-1560					2	
12		21335708		INNER HOOK GUIDE ARM SHAFT	FOR LU-1560-7					2	
13		B1823051000		OPENING LEVER CRANK PIN	FOR LU-1560					2	
14		SS7111810TP		SCREW 11/64-40L=18						2	
15		CQ202000000		OIL WICK						.02	
16		21335807		INNER HOOK GUIDE	FOR LU-1560-7					2	
17		B1824563000		BOBBIN CASE OPENING LEVER	FOR LU-1560					2	
18		WP0371016SD		WASHER 3.7X8X1						2	
19		SS6090810SP		SCREW 9/64-40L=7.5						2	
20		10111102		THRUST WASHER 1.3						2	
21		10112704		THRUST WASHER 1.8	SELECTIVE PARTS					2	
22		21378401		HOOK SHAFT UPPER METAL	FOR LU-1560-7					2	
23		21378500		HOOK SHAFT UPPER METAL	FOR LU-1560					2	
24		21334701		HOOK SHAFT LOWER METAL						2	
25		10109908		SADDLE INSTALLING BLOCK, UPPER						2	
26		10112407		SADDLE INSTALLING BLOCK, LOWER						2	
27		SS6153040SP		SCREW 15/64-28L=30						2	
28		WP0850002SP		WASHER 8.5X18X1.6						2	
29		SM6082502TP		SCREW M8 L=25						2	
30		B1834512000A		OIL ADJUSTING SCREW						2	
31		NS6110420SP		NUT 11/64-40						2	
32		21334552		THREAD CUTTING HOOK ASM.	FOR LU-1560-7					2	
33		B18305630A0		VERTICAL-AXIS SEWING HOOK ASM.	FOR LU-1560					2	
34		21334800		ALUMINUM BOBBIN WITH KNURL	FOR LU-1560-7					2	
35		B9117563000		BOBBIN	FOR LU-1560					2	
36		21361704		LOWER SHAFT						1	
37		B18025120A0A		BUSHING ASM., FRONT						1	
38		SS8151150TP		SCREW 15/64-28 L=10.5						1	
39		B18035150A0		BUSHING ASM., INTERMEDIATE						1	
40		SS8151150TP		SCREW 15/64-28 L=10.5						1	
41	R	21378104	21378153	FEED DRIVING ECCENTRIC	FOR LU-1560-7					1	1.00
42		22609804		FEED DRIVING CAM	FOR LU-1560					1	
43		SS8150510TP		SCREW 15/64-28 L= 4.7	FOR LU-1560-7					1	
44		SS8660530TP		SCREW 1/4-40 L= 4.5	FOR LU-1560					1	

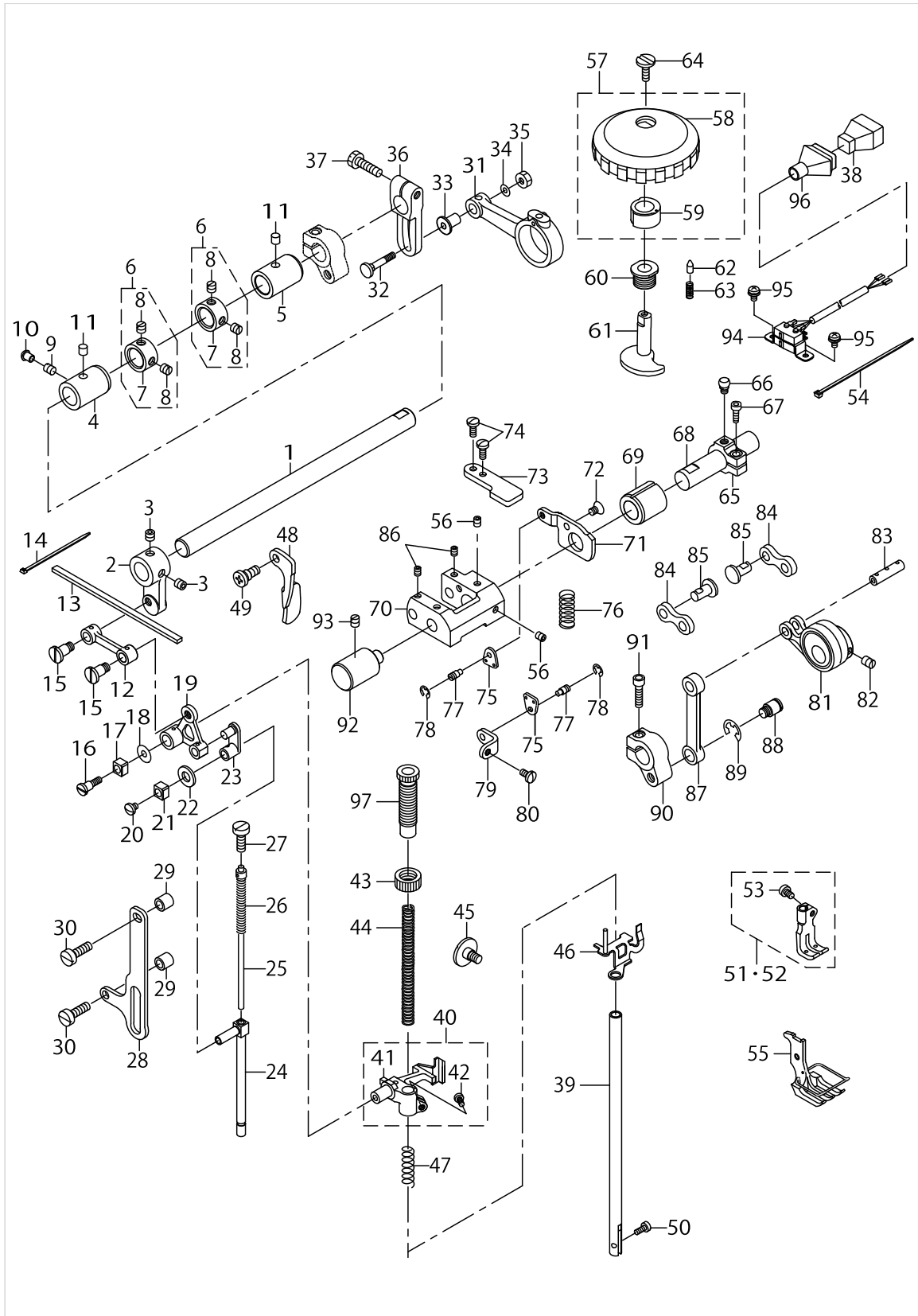
HOOK SHAFT & LOWER SHAFT COMPONENTS



HOOK SHAFT & LOWER SHAFT COMPONENTS

No.	Supply Code	Parts No.	Replacement	Parts name	Remarks	Choice	Step	Level	Cons	Qty	Rep. QTY
45		B1817051000		HOOK DRIVING SH-AFT GEAR, SMALL						2	
46		SS8660670SP		SCREW 1/4-40 L= 6.1						2	
47		SS8660530TP		SCREW 1/4-40 L= 4.5						2	
48		B1816051000		HOOK DRIVING SH-AFT GEAR, LARGE						2	
49		SS8660810TP		SCREW 1/4-40 L=8						4	
50		TA1750502R0		RUBBER PLUG D=17.5 L=5						2	
51		SQ1110401MZ		CONNECTING SCREW						4	
52		22611909		OIL PUMP SHAFT						1	
53		SS8660530TP		SCREW 1/4-40 L= 4.5						3	
54		22611701		PLUNGER BUSHING, B						1	
55		SS8110422TP		SCREW 11/64-40 L=4						4	
56	R	SS8151150SP	SS8151150TP	SCREW 15/64-28 L=10.5						1	1.00
57		10109700		THRUST WASHER, A	SELECTIVE PARTS					2	
58		10109809		THRUST WASHER, B	SELECTIVE PARTS					2	
59		10110906		BUSHING THRUST 1.1	SELECTIVE PARTS					2	
60		10111003		THRUST WASHER 1.2	SELECTIVE PARTS					2	
61		10111201		THRUST WASHER, F	SELECTIVE PARTS					2	
62		10112506		THRUST WASHER 1.6	SELECTIVE PARTS					2	
63		10112605		THRUST WASHER 1.7	SELECTIVE PARTS					2	

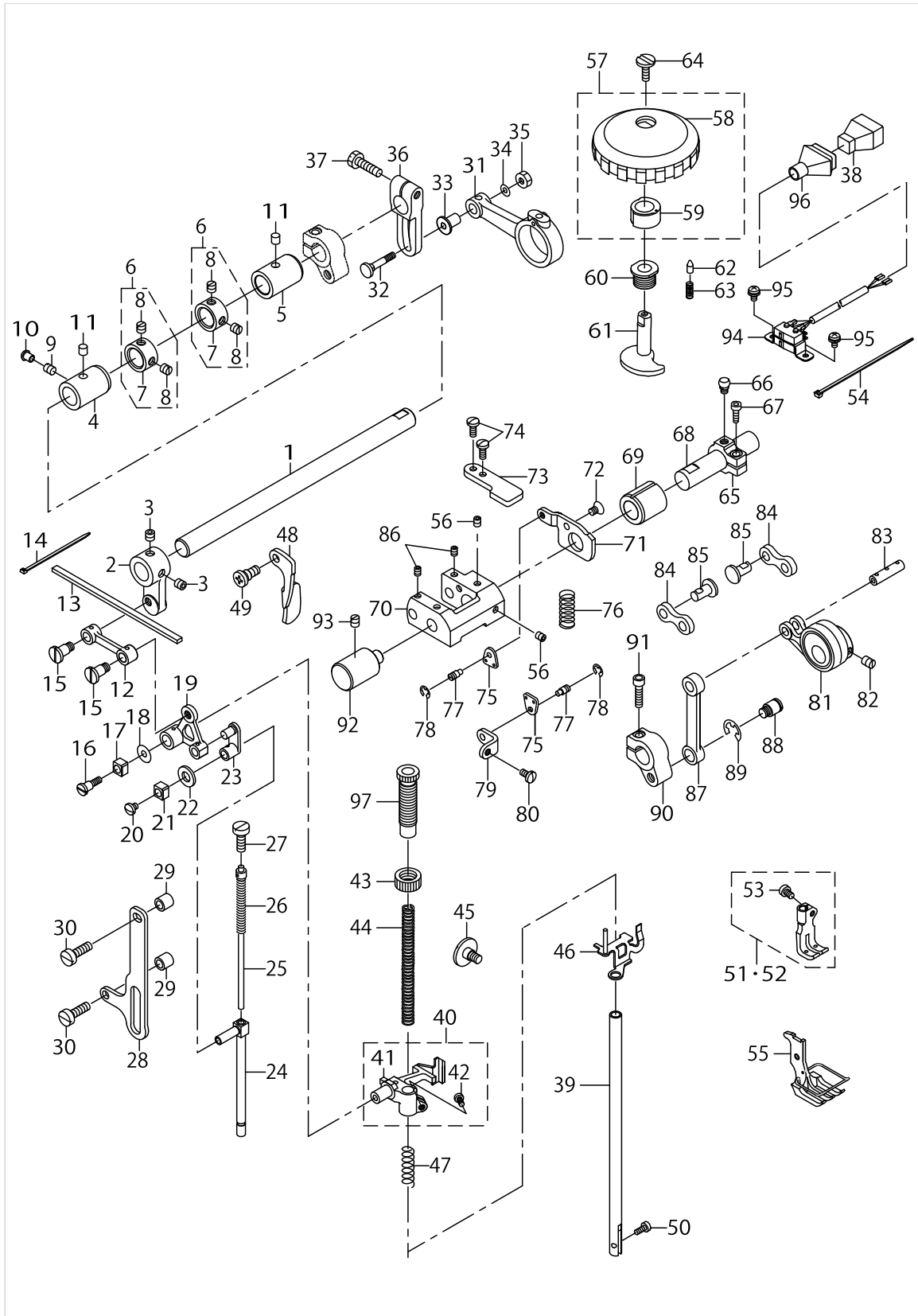
PRESSURE ADJUSTING & UPPER FEED MECHANISM COMPONENTS



PRESSURE ADJUSTING & UPPER FEED MECHANISM COMPONENTS

No.	Supply Code	Parts No.	Replacement	Parts name	Remarks	Choice	Step	Level	Cons	Qty	Rep. QTY
1		21340401		UPPER FEED SHAFT						1	
2		21340500		UPPER FEED FRONT ARM						1	
3		SS8660612TP		SCREW 1/4-40 L=6						2	
4		21341904		FRONT METAL						1	
5		21378302		FEED SHAFT METAL						1	
6		22904155		MAIN SHAFT THRU-ST COLLAR ASM.						2	
7	R	22904106	22904155	MAIN SHAFT THRUST COLLAR				*		1	1.00
8		SS8660610TP		SCREW 1/4-40 L=6				*		2	
9	R	SS8150710SP	SS8150710TP	SCREW 15/64-28 L=7						1	1.00
10		TA0550604R0		RUBBER PLUG						1	
11		22814909		FELT						2	
12	R	21339908	40033026	UPPER FEED LINK						1	1.00
13		21347109		FELT						1	
14		EA9500B0000		CLIP CV-70S						2	
15		B3016141H00		HINGE SCREW, B						2	
16		SD0640701SP		HINGE SCREW D=6.35 H=7						1	
17		B1414555000		SLIDE BLOCK						1	
18		WP0501046SC		WASHER 5 X 13 X 1						1	
19	R	21340807	40033028	TRIANGULAR LEVER						1	1.00
20		SS7110510SP		SCREW 11/64-40 L=5						1	
21		B1414555000		SLIDE BLOCK						1	
22		10509701		FELT						1	
23		B1465053000		WALKING BAR DRIVING LINK						1	
24	R	B1466563000	40033030	WALKING BAR						1	1.00
25		B14670530A0		WALKING BAR ASM.						1	
26		B1468053000		WALKING BAR SPRING						1	
27		SS6151780SP		SCREW 15/64-28 L=17.0						1	
28		21341300		UPPER FEED GUIDE PLATE						1	
29	R	13514310	26225201	ROLLER						2	1.00
30		SS6151920SP		SCREW 15/64-28 L=19.0						2	
31		21340104		UPPER FEED ROD	FOR LU-1560					1	
32		D1456055B00		HINGE SCREW	FOR LU-1560					1	
33		D1455055B00		CONNECTING STUD	FOR LU-1560					1	
34		WP0482086SD		WASHER 4.8X11.5X2	FOR LU-1560					1	
35		NS6110530SP		NUT 11/64-40	FOR LU-1560					1	
36		21340203		UPPER FEED REAR ARM	FOR LU-1560					1	
37		SM9062250SC		SCREW M6 L=22	FOR LU-1560					1	
38		GBC02621000		15-POLE PLUG, WHITE	FOR LU-1560-7					1	
39		B1501241H00		PRESSER BAR						1	
40	R	21341052	40033032	PRESSER BAR HOLDER ASM.						1	1.00
41	R	21341003	40033032	PRESSER BAR HOLDER				*		1	1.00
42		SS7110910TP		SCREW 11/64-40 L= 8.5				*		1	
43	R	B1511555000	40012052	NUT						1	1.00
44		B1502246000		PRESSER SPRING						1	
45		SD0800481SP		HINGE SCREW D= 8 H= 4.9						1	

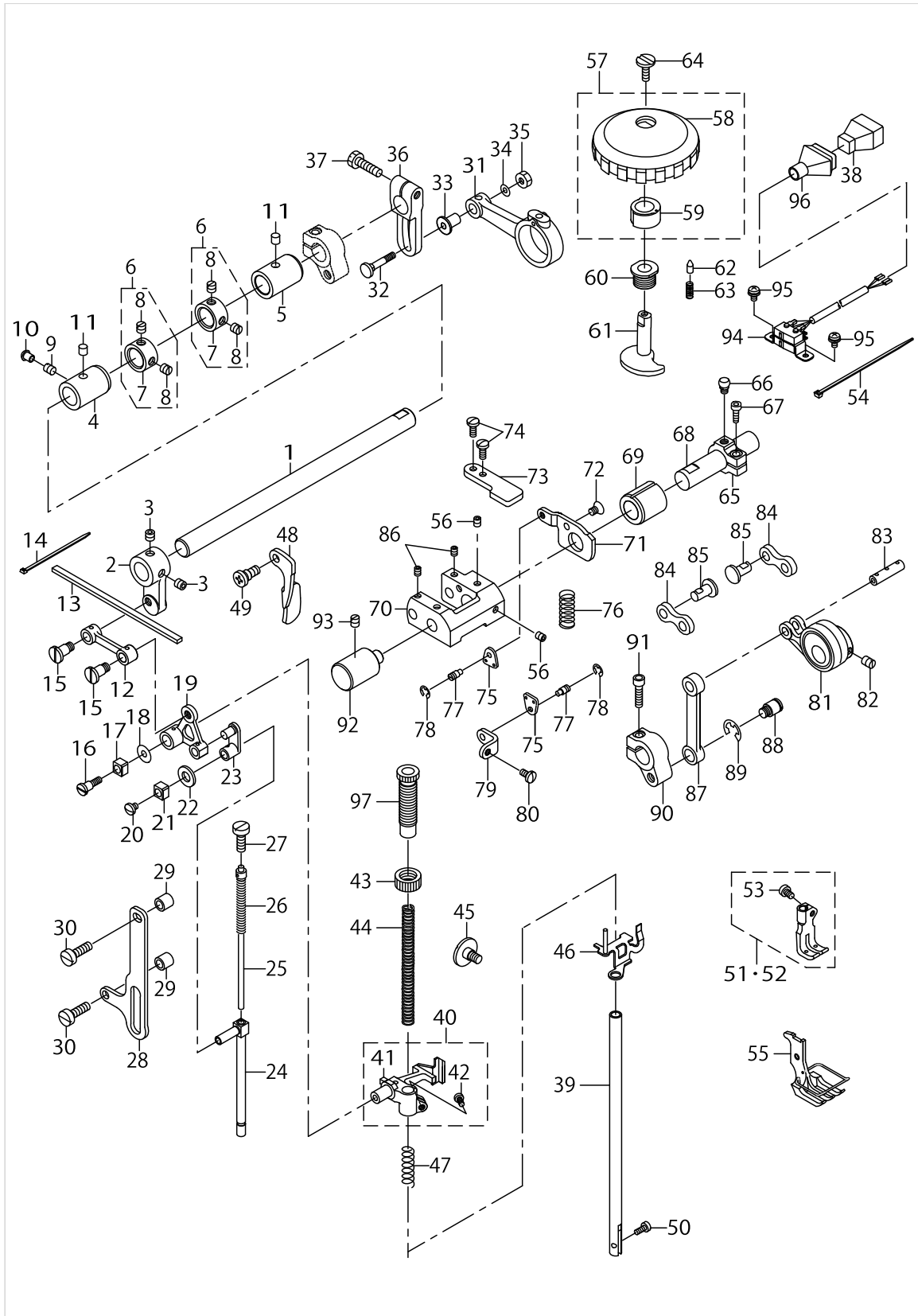
PRESSURE ADJUSTING & UPPER FEED MECHANISM COMPONENTS



PRESSURE ADJUSTING & UPPER FEED MECHANISM COMPONENTS

No.	Supply Code	Parts No.	Replacement	Parts name	Remarks	Choice	Step	Level	Cons	Qty	Rep. QTY
46		21341151		THREAD RELEASE HOLDING PLATE						1	
47		B1462053000		THREAD RELEASE SPRING						1	
48		21343504		PRESSER LIFTER LEVER						1	
49	R	11006509	22908701	LINK SHAFT						1	1.00
50		SS6090910TP		SCREW 9/64-40 L=9						1	
51		21372651		WALKING FOOT 1-1/4 ASM.	EXCHANGI-NG GAUGE PARTS (F-OR LU-1560)					1	
52		21367453		WALKING FOOT ASM.	EXCHANGI-NG GAUGE PARTS (F-OR LU-1560-7)					1	
53		SS6110710TP		SCREW 11/64-40 L= 6.5				*		1	
54		EA9500B0100		CABLE BAND	FOR LU-1560-7					1	
55		21367958		PRESSER FOOT ASM. 3/8	EXCHANGI-NG GAUGE PARTS					1	
56		SM8050602TP		SCREW M5 L=6	FOR LU-1560-7					2	
57		10774354		UPPER AND LOWER DIAL ASM.	FOR LU-1560-7					1	
58	R	10774305	10774354	VERTICAL DIAL				*		1	1.00
59		10774404		VERTICAL CAM				*		1	
60		10715100		VERTICAL DIAL SHAFT BUSHING	FOR LU-1560-7					1	
61	R	10715001	40108542	VERTICAL ADJUSTING CAM	FOR LU-1560-7					1	1.00
62		10715704		VERTICAL DIAL PIN	FOR LU-1560-7					1	
63		B152652700G		SPRING	FOR LU-1560-7					1	
64		SS6110630TP		SCREW 11/64-40 L=6	FOR LU-1560-7					1	
65		21341607		VERTICAL ADJUSTING ARM	FOR LU-1560-7					1	
66		10715308		PIN	FOR LU-1560-7					1	
67		SM6051402TP		SCREW M5X0.8 L=14	FOR LU-1560-7					1	
68		21341508		VERTICAL CHANGE BASE SHAFT	FOR LU-1560-7					1	
69		10718203		FEED SHAFT FRONT METAL	FOR LU-1560-7					1	
70		10714202		VERTICAL CHANGE BELT	FOR LU-1560-7					1	
71		21339601		UPPER FEED STOPPER PLATE (A)	FOR LU-1560-7					1	
72	R	SM1050801SR	SM1050801SC	SCREW M5 L=8	FOR LU-1560-7					1	1.00
73		21339700		UPPER FEED STOPPER PLATE (B)						1	
74		SS7111120TP		SCREW						2	
75		10713501		SPRING HOOK	FOR LU-1560-7					2	
76		10716504		VERTICAL SHAFT SPRING	FOR LU-1560-7					1	
77		B3416552000		CONNECTING ROD HINGE SCREW	FOR LU-1560-7					2	
78		RE0500000K0		E-RING	FOR LU-1560-7					2	
79		21339809		UPPER FEED DOG SPRING HOOK	FOR LU-1560-7					1	
80		SS7110830SP		SCREW 11/64-40 L= 7.5	FOR LU-1560-7					1	
81		10713766		ECCENTRIC ROD (SET)	FOR LU-1560-7					1	
82		SS8660810TP		SCREW 1/4-40 L=8	FOR LU-1560-7					2	
83		10713808		CONNECTION LINK PIN B	FOR LU-1560-7					1	
84	R	10714509	40107949	CONNECTION LINK B	FOR LU-1560-7					2	1.00
85	R	10714608	40052263	CONNECTION LINK B SUPPORT PIN	FOR LU-1560-7					2	1.00
86		SM8050602TP		SCREW M5 L=6	FOR LU-1560-7					2	
87		21340005		UPPER FEED LINK (B)	FOR LU-1560-7					1	

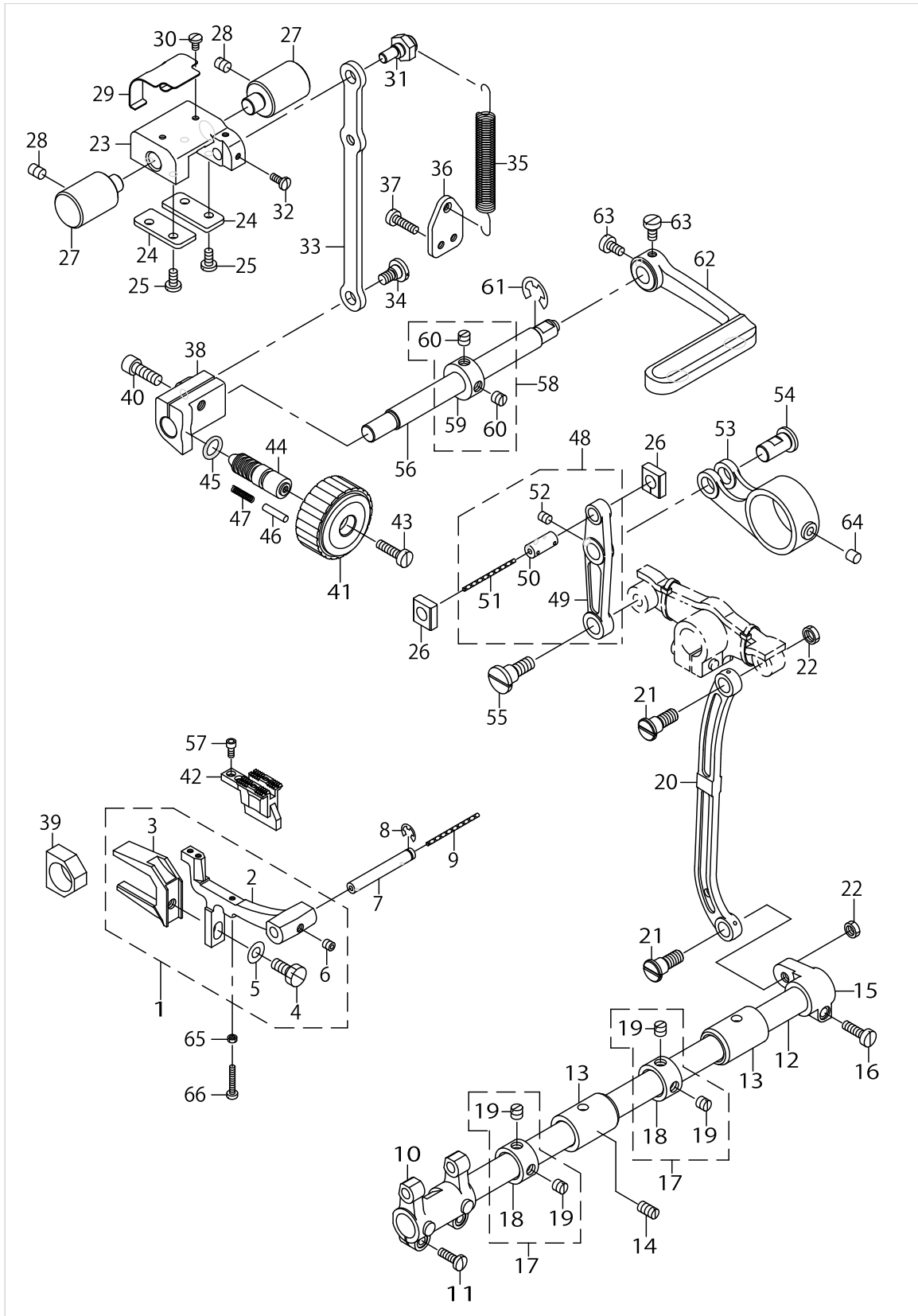
PRESSURE ADJUSTING & UPPER FEED MECHANISM COMPONENTS



PRESSURE ADJUSTING & UPPER FEED MECHANISM COMPONENTS

No.	Supply Code	Parts No.	Replacement	Parts name	Remarks	Choice	Step	Level	Cons	Qty	Rep. QTY
88		21048707		HINGE SCREW	FOR LU-1560-7					1	
89		RE0800000K0		E-SHAPED SNAP RING (8MM)	FOR LU-1560-7					1	
90		21340302		UPPER FEED REAR ARM (B)	FOR LU-1560-7					1	
91		SM6052002TP		SCREW M5 L=20	FOR LU-1560-7					1	
92		21337803		FEED ADJUSTING BASE SUPPORT	FOR LU-1560-7					1	
93	R	SS8150710SP	SS8150710TP	SCREW 15/64-28 L=7	FOR LU-1560-7					1	1.00
94		21357561		VERTICAL DETECT-OR SWITCH ASM.	FOR LU-1560-7					1	
95		SL4040881SC		SCREW M4 L=8	FOR LU-1560-7					2	
96		GPK58005000		PLUG COVER 15P	FOR LU-1560-7					1	
97		21340906		PRESSER ADJUSTING SCREW						1	

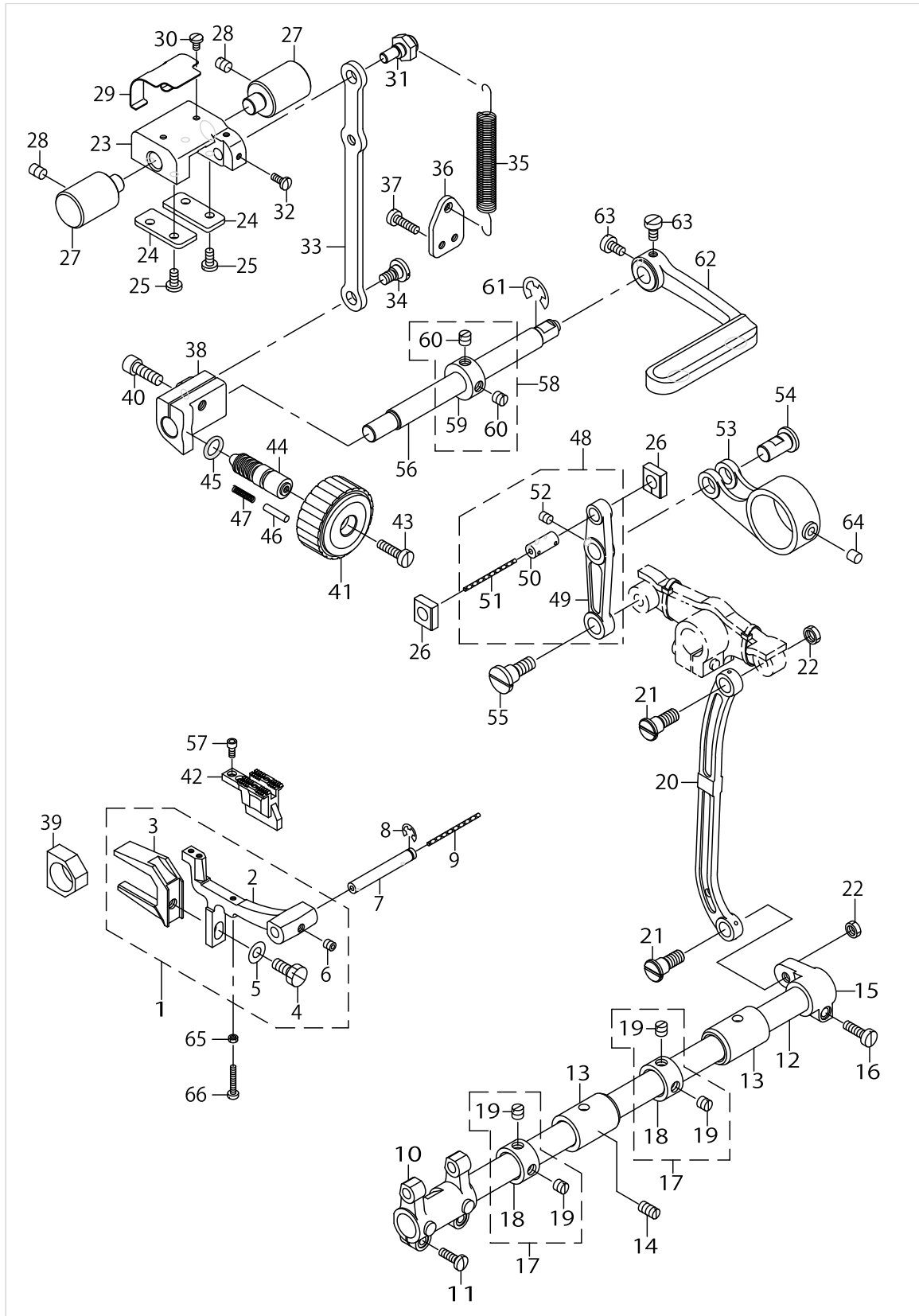
FEED MECHANISM COMPONENTS



FEED MECHANISM COMPONENTS

No.	Supply Code	Parts No.	Replacement	Parts name	Remarks	Choice	Step	Level	Cons	Qty	Rep. QTY
1		21364252		FEED BASE ASM.						1	
2	R	21364203	21364252	FEED BASE				*		1	1.00
3	R	10107902	40039258	FEED BAR FORK		A	PLC-17*	*		1	1.00
3	R	10107902	21336060	FEED BAR FORK		B	LU-1510N-7 NA-7	*		1	1.00
3	R	10107902	21364252	FEED BAR FORK		C	LU-1560N N-7 LU-1565	*		1	1.00
3	R	10107902	21393459	FEED BAR FORK		D	LU-1520N-7	*		1	1.00
3	R	10107902	23003353	FEED BAR FORK		E	PLC-16*	*		1	1.00
3	R	10107902	21336052	FEED BAR FORK		G	LU-1510/1510-7	*		1	1.00
3	R	10107902	22609762	FEED BAR FORK				*		1	1.00
4		SS9151440CP		SCREW15/64-28L=14				*		1	
5		WP0621016SD		WASHER 6.2X13X1				*		1	
6		SM8050502TP		SCREW M5 L=5				*		1	
7		B1604012000A		FEED BAR SHAFT						1	
8		RE0500711KP		SNAP RING 5						1	
9		CQ202000000		OIL WICK						.14	
10		21364104		FEED ROCKER						1	
11	R	SS7111410SP	SS7111410TP	SCREW11/64-40L=14						2	1.00
12		22609408		FEED ROCK SHAFT						1	
13		21378302		FEED SHAFT METAL						2	
14		SS8151150TP		SCREW 15/64-28 L=10.5						1	
15		22609309		FEED ROCKER SHAFT CRANK						1	
16		SS6121610TP		SCREW 3/16-28 L=15.5						1	
17		22904155		MAIN SHAFT THRU- ST COLLAR ASM.						2	
18	R	22904106	22904155	MAIN SHAFT THRUST COLLAR				*		1	1.00
19		SS8660610TP		SCREW 1/4-40 L=6				*		2	
20		10205201		NEEDLE BAR FRAME ROD						1	
21		SD0900701TP		HINGE SCREW D= 9 H= 7						1	
22		NS6680320SP		NUT 9/32-28						1	
23		21337506		FEED ADJUSTING BASE						1	
24		21337704		FEED ADJUSTING BASE COVER						2	
25		SS7110910TP		SCREW 11/64-40 L= 8.5						4	
26		21337407		SQUARE BLOCK						2	
27		21337803		FEED ADJUSTING BASE SUPPORT						2	
28		SS8150822TP		SCREW 15/64-28 L=8						2	
29		21338306		FELT SUPPORT						1	
30		SS7090610SP		SCREW 9/64-40 L=6						2	
31		21337902		ECCENTRIC PIN						1	
32		SS7090910TP		SCREW9/64-40L=8.5						2	
33		21337308		FEED ADJUSTING ROD						1	
34		SD0800402TP		HINGE SCREW D= 8 H= 4						1	
35		21337605		SPRING						1	
36		21338009		SPRING HOOK						1	
37		SS6111610SP		SCREW11/64-40L=16						2	
38		21337209		FEED ADJUSTING A						1	
39		B1610512000		FEED DRIVING SLIDE BLOCK						1	

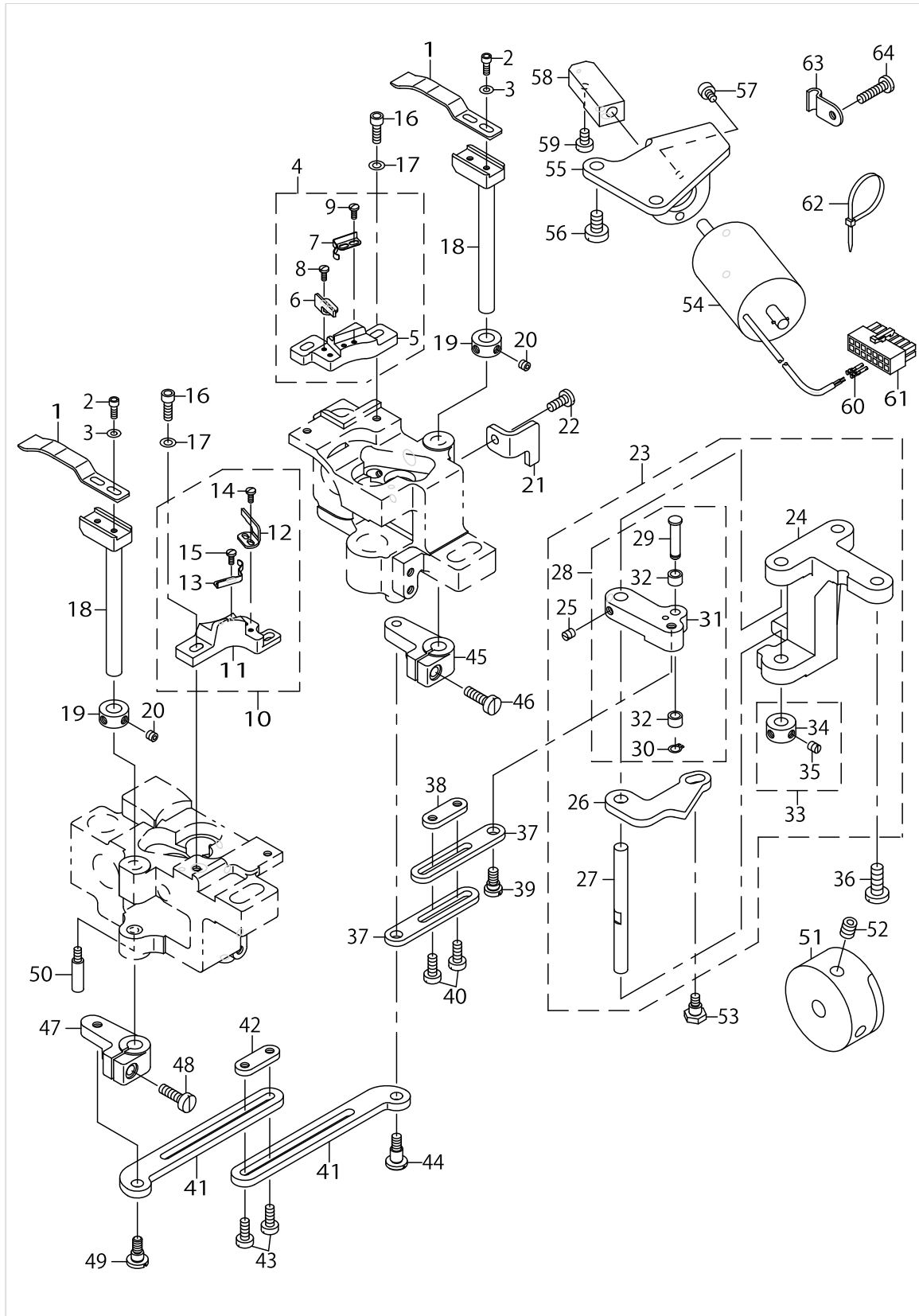
FEED MECHANISM COMPONENTS



FEED MECHANISM COMPONENTS

No.	Supply Code	Parts No.	Replacement	Parts name	Remarks	Choice	Step	Level	Cons	Qty	Rep. QTY
40		SM6061802TP		SCREW M6 L=18						1	
41		21336805		FEED DIAL A						1	
42		21366901		FEED DOG 3/8	EXCHANGI- NG GAUGE PARTS					1	
43		SS6121860SP		SCREW 3/16-28 L=18						1	
44	R	11009909	22911804	FEED REGULATOR SCREW						1	1.00
45		RO092270200		RUBBER RING						1	
46	R	11052701	22912000	PIN						1	1.00
47		22912109		FEED REGULATOR PIN SPRING						1	
48		21336656		FEED LINK ASM.						1	
49		21336607		FEED LINK				*		1	
50	R	B1418761000	40009103	CONNECTING FORKED LINK PIN				*		1	1.00
51		CQ202000000		OIL WICK				*		0.04	
52		SM8050612TP		SCREW M5X6				*		1	
53		21336706		FEED ROD A						1	
54	R	21338207	21378906	FEED LINK PIN						1	1.00
55		SD1000801SH		HINGE SCREW D=10 H=8						1	
56		21336300		BACKWARD FEED LEVER SHAFT						1	
57		SS6580752TP		SCREW 1/8-40 L=7						2	
58		CS1201010SH		THRUST COLLAR ASM. D=12 W=10						1	
59		CS1201011SH		THRUST COLLAR D=12 W=10				*		1	
60		SS8660610TP		SCREW 1/4-40 L=6				*		2	
61		RE0900000K0		E-RING 9						1	
62	R	22610505	21388004	REVERSE FEED CONTROL LEVER						1	1.00
63		SS6120930TP		SCREW 3/16-28 L=9	FOR LU-1560					2	
64		22814909		FELT						1	
65		NS6080210SP		NUT 1/8-44						1	
66		SS6081810SP		SCREW 1/8-44 L=18.0						1	

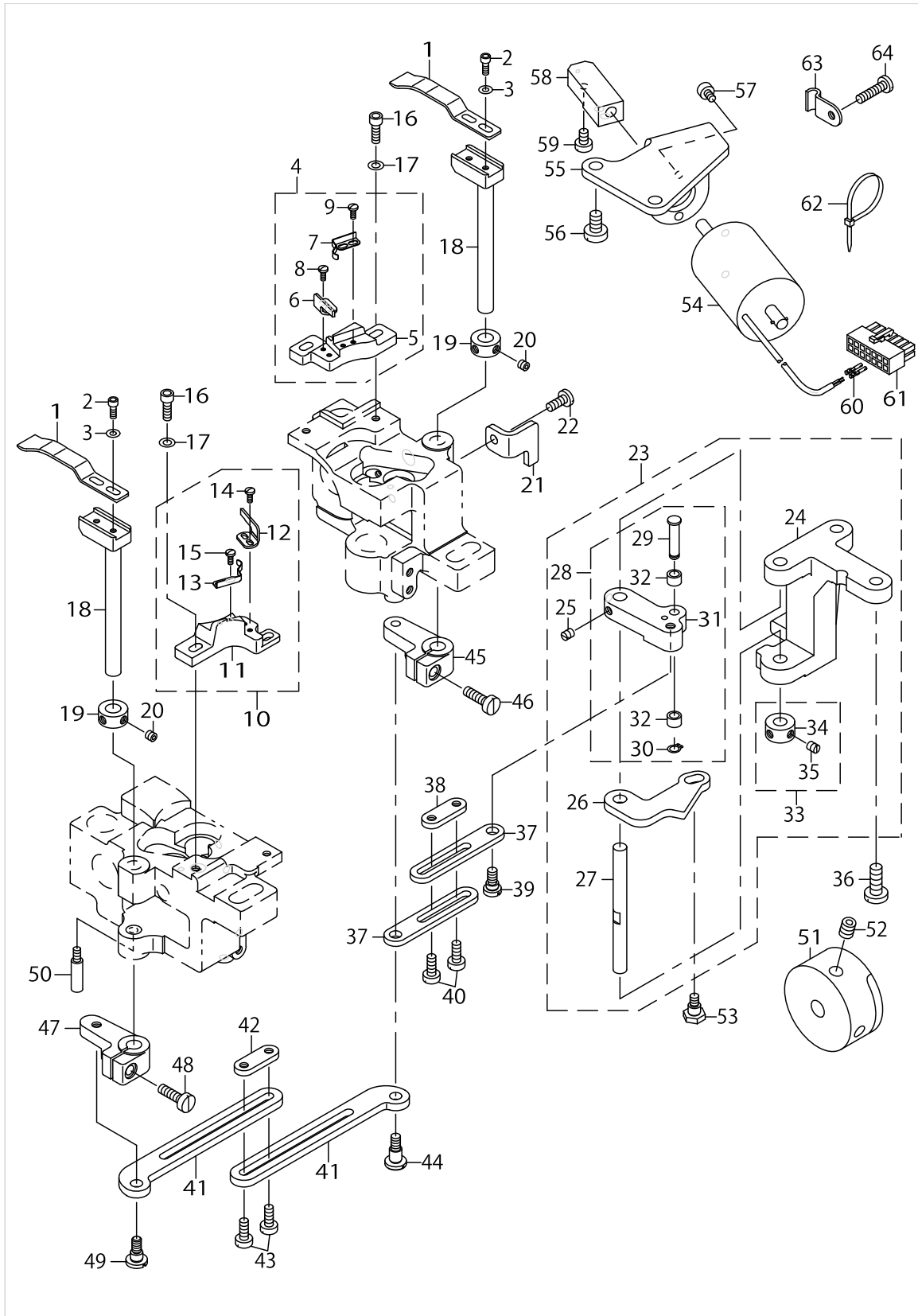
THREAD CUTTING COMPONENTS



THREAD CUTTING COMPONENTS

No.	Supply Code	Parts No.	Replacement	Parts name	Remarks	Choice	Step	Level	Cons	Qty	Rep. QTY
1		21363304		MOVING KNIFE						2	
2		SM6030802TP		SCREW M3X0.5 L=8						4	
3		WP0320501SC		WASHER M3						4	
4		21354857		FIXED KNIFE BASIS ASM.						1	
5	R	21354808	21354857	FIXED KNIFE BASIS				*		1	1.00
6		10726404		FIXED KNIFE				*		1	
7		10726909		CLAMP SPRING				*		1	
8		SS7060610SP		SCREW 3/32-56 L=5.5				*		2	
9		SS7060610SP		SCREW 3/32-56 L=5.5				*		2	
10	D	21363452		FIXED KNIFE BASIS, LEFT ASM.						1	
11	D	21363403		FIXED KNIFE BASIS, LEFT				*		1	
12		10726404		FIXED KNIFE				*		1	
13		10726909		CLAMP SPRING				*		1	
14		SS7060610SP		SCREW 3/32-56 L=5.5				*		2	
15		SS7060610SP		SCREW 3/32-56 L=5.5				*		2	
16		SM6041202TP		SCREW M4X0.7 L=12						4	
17		WP0430800SC		WASHER M4						4	
18		21354907		MOVINGKNIFESHAF						2	
19	R	CS0790731SH	CS079073ASH	THRUST COLLAR						2	1.00
20		SS8110422TP		SCREW 11/64-40 L=4						4	
21		21354501		THREAD CUTTING STOPPER (RIGHT)						1	
22	R	SS7111120SP	SS7111120TP	SCREW 11/64-40 L=10.5						1	1.00
23		21353750		VERTICAL FITTING BASIS ASM.						1	
24		21353701		VERTICAL FITTING BASIS				*		1	
25	R	SS8110510SP	SS8110520TP	SCREW 11/64-40 L=5				*		2	1.00
26		21354006		THREAD CUTTING DRIVING PLATE				*		1	
27		10116804		SHAFT				*		1	
28		21353859		THREAD CUTTING ROLLER ARM				*		1	
29	R	21353909	40104369	CAM ROLLER SHAFT				*		1	1.00
30		D2430555B00		SNAP RING				*		1	
31	D	21353800		THREAD CUTTING ROLLER ARM				*		1	
32		D2427555B00B		CAM ROLLER				*		2	
33		CS070081BSH		THRUST COLLAR ASM. D=7 W=8				*		1	
34		CS0700811SH		THRUST COLLAR D=7 W=8				*		1	
35	R	SS8110510SP	SS8110520TP	SCREW 11/64-40 L=5				*		2	1.00
36		SS7151610SP		SCREW 15/64-28 L=16						2	
37		21354105		CONNECTING PLATE						2	
38		21354204		STOPPING PLATE						1	
39		SD0640325SP		HINGE SCREW						1	
40		SS6111140SP		SCREW 11/64-40 L=11						2	
41		21363601		CONNECTING PLATE						2	
42		21354204		STOPPING PLATE						1	
43		SS6111140SP		SCREW 11/64-40 L=11						2	
44		SD0640751SP		HINGE SCREW D= 6.35 H= 7.5						1	
45		21354402		ROCKING ARM						1	
46		SS6121610TP		SCREW 3/16-28 L=15.5						1	

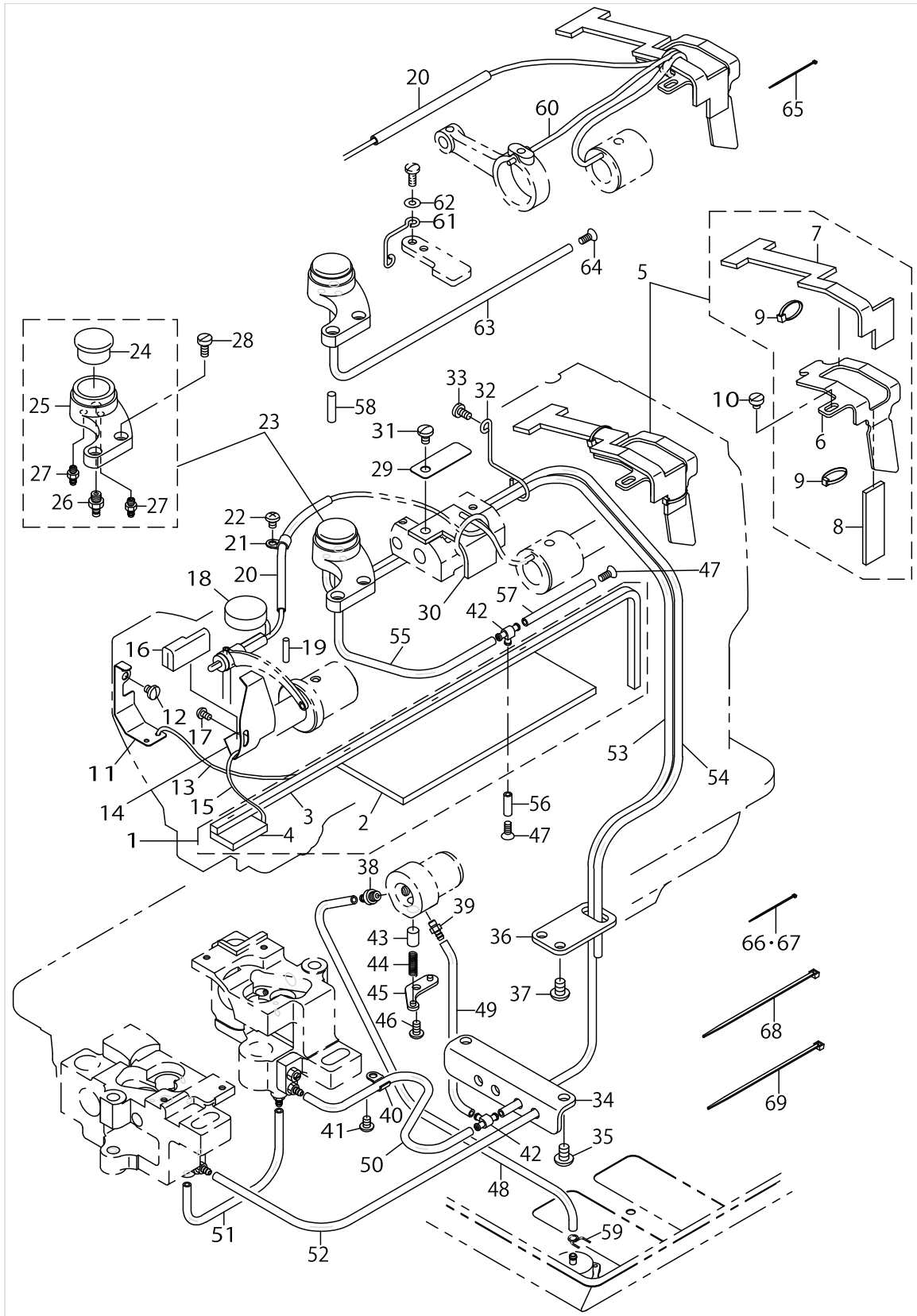
THREAD CUTTING COMPONENTS



THREAD CUTTING COMPONENTS

No.	Supply Code	Parts No.	Replacement	Parts name	Remarks	Choice	Step	Level	Cons	Qty	Rep. QTY
47		21363502		ROCKING ARM						1	
48		SS6121610TP		SCREW 3/16-28 L=15.5						1	
49		SD0640451TP		HINGE SCREW D=6.35 H=4.5						1	
50		B1515051000		HAND LIFTER PIN						1	
51	D	21353602		THREAD CUTTING CAM						1	
52		SS8660612TP		SCREW 1/4-40 L=6						2	
53		SD0640482SP		HINGE SCREW D= 6.35 H= 4.8						1	
54		21355102		THREAD CUTTING SOLENOID						1	
55		21354600		SOLENOID FITTING PLATE						1	
56		SS6151040SP		SCREW 15/64-28L=10						2	
57		SM6040802TP		SCREW M4X0.7 L=8						2	
58		21354709		SOLENOID CONNECTING PLATE						1	
59		SS6110710TP		SCREW 11/64-40 L= 6.5						2	
60		HK03464000B		PIN CONTACT						2	
61		HK034610140		HOUSING 14P						1	
62		EA9500B0100		CABLE BAND						1	
63		22620801		PIPE HOLDER						1	
64		SS7111810TP		SCREW 11/64-40L=18						1	

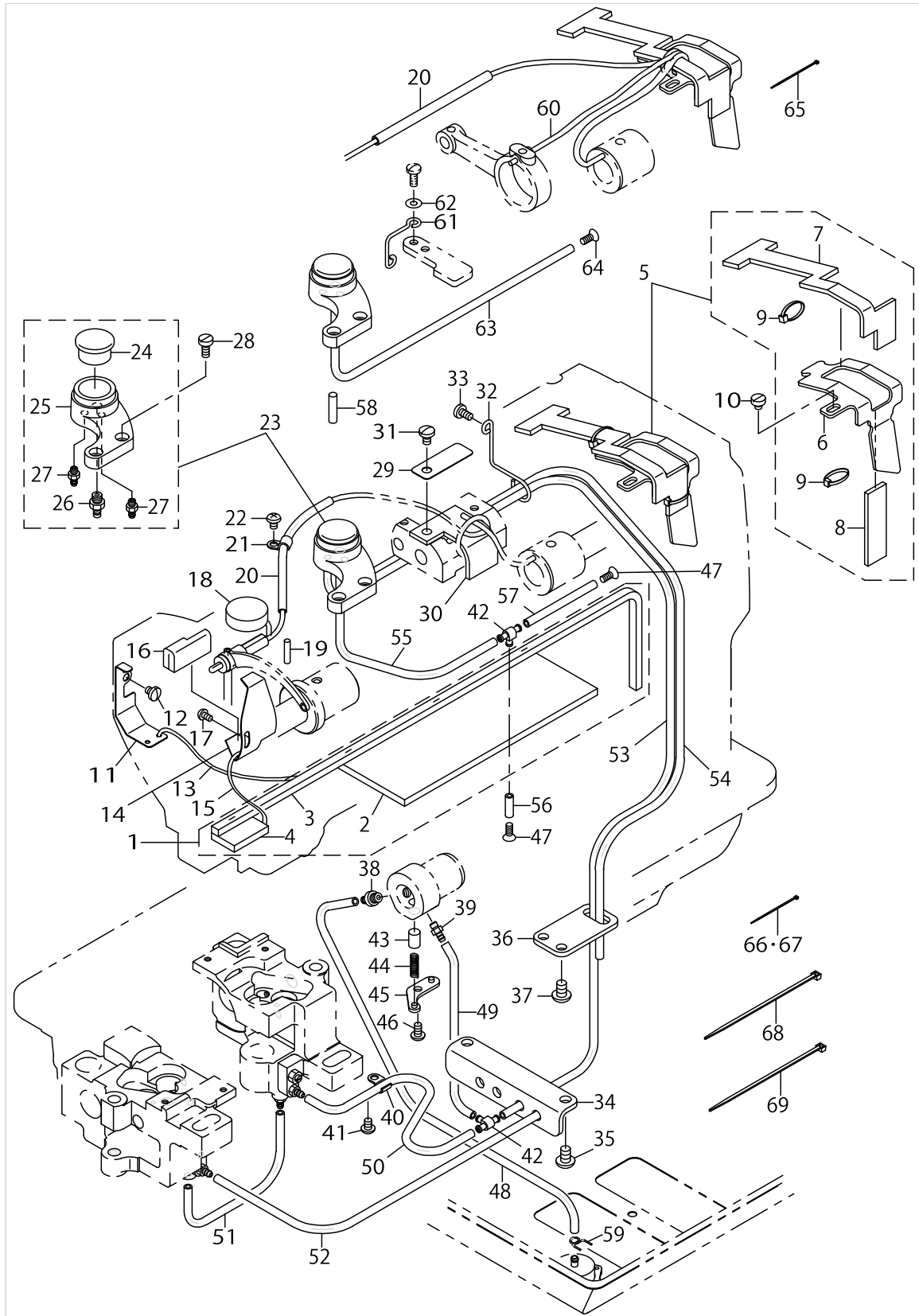
LUBRICATION COMPONENTS



LUBRICATION COMPONENTS

No.	Supply Code	Parts No.	Replacement	Parts name	Remarks	Choice	Step	Level	Cons	Qty	Rep. QTY
1		21345756		ARM ONCE THROU- GH OIL FELT ASM.						1	
2		21345707		ARM ONCE THROUGH FELT A				*		1	
3		21345806		FELT B				*		1	
4		21345905		FACE ONCE THROUGH FELT				*		1	
5		21346358		FELT SUPPORT ASM.						1	
6		21346309		FELT				*		1	
7		21346507		FEED CHANGE FELT				*		1	
8		21346408		FELT				*		1	
9		EA9500B0000		CLIP CV-70S				*		2	
10		SS6110480SP		SCREW 11/64-40 L=4.3						1	
11		21340708		UPPER FEED OIL BAR PLATE						1	
12		SS7110510SP		SCREW 11/64-40 L=5						1	
13		CQ202000000		OIL WICK						.2	
14		21347000		TAKE-UP OIL PLATE						1	
15		CQ202000000		OIL WICK						.2	
16		21347208		TAKE-UP LUBRICATION FELT						1	
17		SS3090610SP		SCREW 9/64-40 L=6						1	
18		21346002		FELT						1	
19		B1412051000		FELT						1	
20		BT0600402EA		OIL TUBE						.12	
21		B3538112000		OIL RETURN TUBE HOLDER						1	
22		SS4110615SP		SCREW 11/64-40 L=6						1	
23		21345657		ARM OIL TANK ASM.						1	
24		B3520586000		OIL SIGHT WINDOW				*		1	
25	R	21345608	21345657	ARM OIL TANK				*		1	1.00
26		SQ1110401MZ		CONNECTING SCREW				*		1	
27		SQ11150451MZ		CONNECTING SCREW				*		2	
28	R	SS6111010SP	SS6111010TP	SCREW 11/64-40 L= 9.5						2	1.00
29		21346101		LUBRICATION FELT PRESSER	FOR LU-1560-7					1	
30		21346200		MUTUAL VERTICAL CHANGE FELT	FOR LU-1560-7					1	
31		SS7120760SP		SCREW 3/16-28 L=7.0	FOR LU-1560-7					1	
32		21346606		PIPE SUPPORT						1	
33		SS7110830SP		SCREW 11/64-40 L= 7.5						1	
34		21345103		LUBRICATION BRACKET						1	
35		SS4150915SP		SCREW 15/64-28 L=9						2	
36		21345202		OIL PIPE STAY						1	
37		SS4150915SP		SCREW 15/64-28 L=9						2	
38		SQ11150451MZ		CONNECTING SCREW						1	
39		SQ1110401MZ		CONNECTING SCREW						1	
40		B3538112000		OIL RETURN TUBE HOLDER						1	
41		SS4110615SP		SCREW 11/64-40 L=6						1	
42		13765607		OIL CONNEC. ARM						2	
43		B3534155000		PLUNGER						1	
44		B1214038000		PLUNGER SPRING						1	
45		B3524552000		PLUNGER THRUST PLATE						1	
46		SS4110815SP		SCREW 11/64-40 L=8						1	

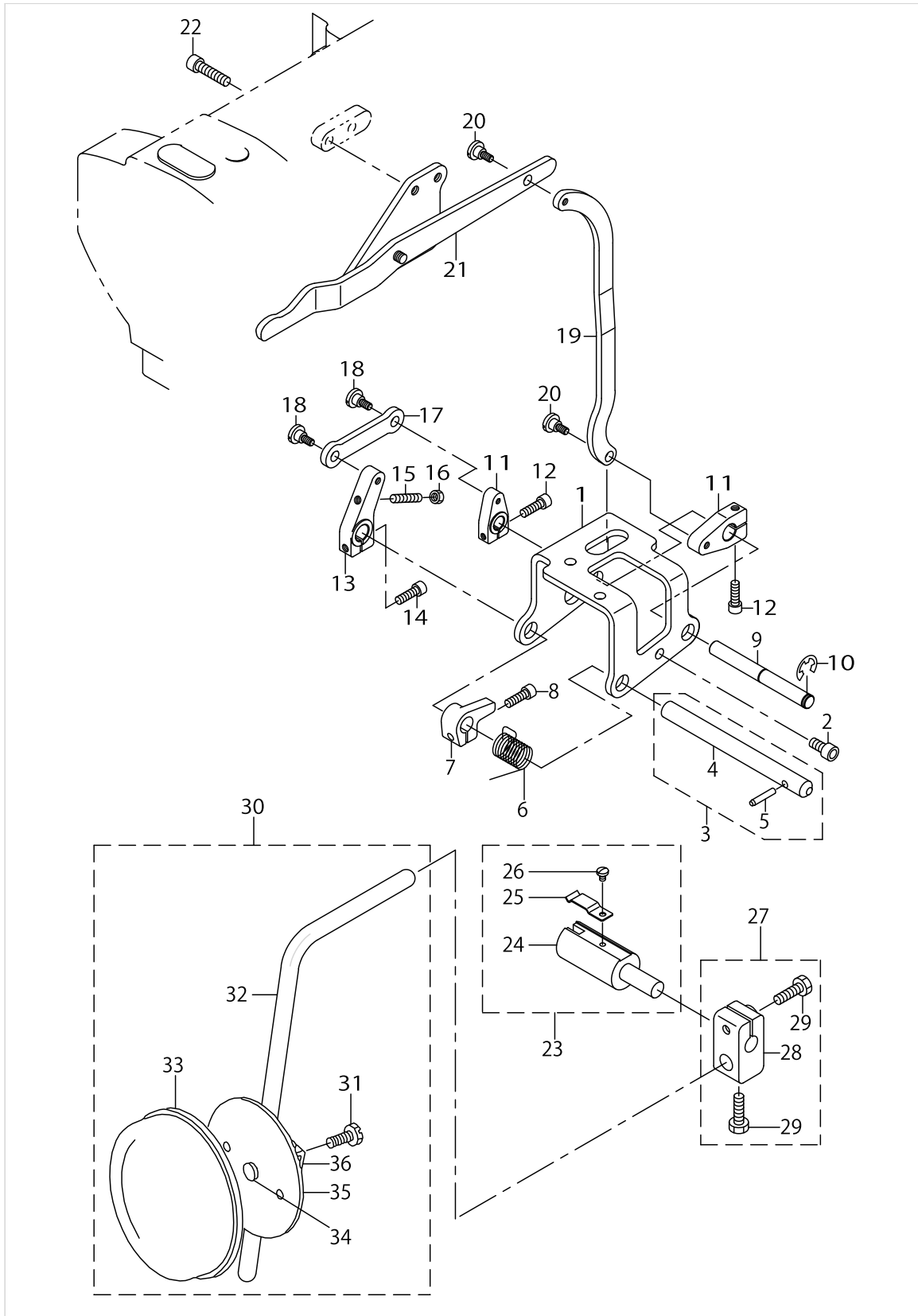
LUBRICATION COMPONENTS



LUBRICATION COMPONENTS

No.	Supply Code	Parts No.	Replacement	Parts name	Remarks	Choice	Step	Level	Cons	Qty	Rep. QTY
47	D	SM2041001SB		SCREW M4X0.7 L=10						2	
48		23630007		TUBE						.36	
49		23630007		TUBE						.08	
50		23630007		TUBE						.22	
51		23630007		TUBE						.1	
52		23630007		TUBE						.4	
53		23630007		TUBE						.6	
54		23630007		TUBE						.46	
55		23630007		TUBE	FOR LU-1560-7					.13	
56		23630007		TUBE	FOR LU-1560-7					.02	
57		23630007		TUBE	FOR LU-1560-7					.06	
58		PS0500202KP		SPRING PIN 5X20	FOR LU-1560					1	
59		10126803		OIL TUBE HOLDER						1	
60		CQ202000000		OIL WICK	FOR LU-1560					.2	
61		22620504		OIL WICK HOLDER	FOR LU-1560					1	
62		WP0450801SD		WASHER 4.5X10X0.8	FOR LU-1560					1	
63		BT0500300EA		OIL TUBE	FOR LU-1560					.2	
64	D	SM2041001SB		SCREW M4X0.7 L=10	FOR LU-1560					1	
65		EA9500B0000		CLIP CV-70S	FOR LU-1560					1	
66		EA9500B0000		CLIP CV-70S	FOR LU-1560					15	
67		EA9500B0000		CLIP CV-70S	FOR LU-1560-7					18	
68		EA9500B0100		CABLE BAND						1	
69		A407855000A		CLIP BAND						1	

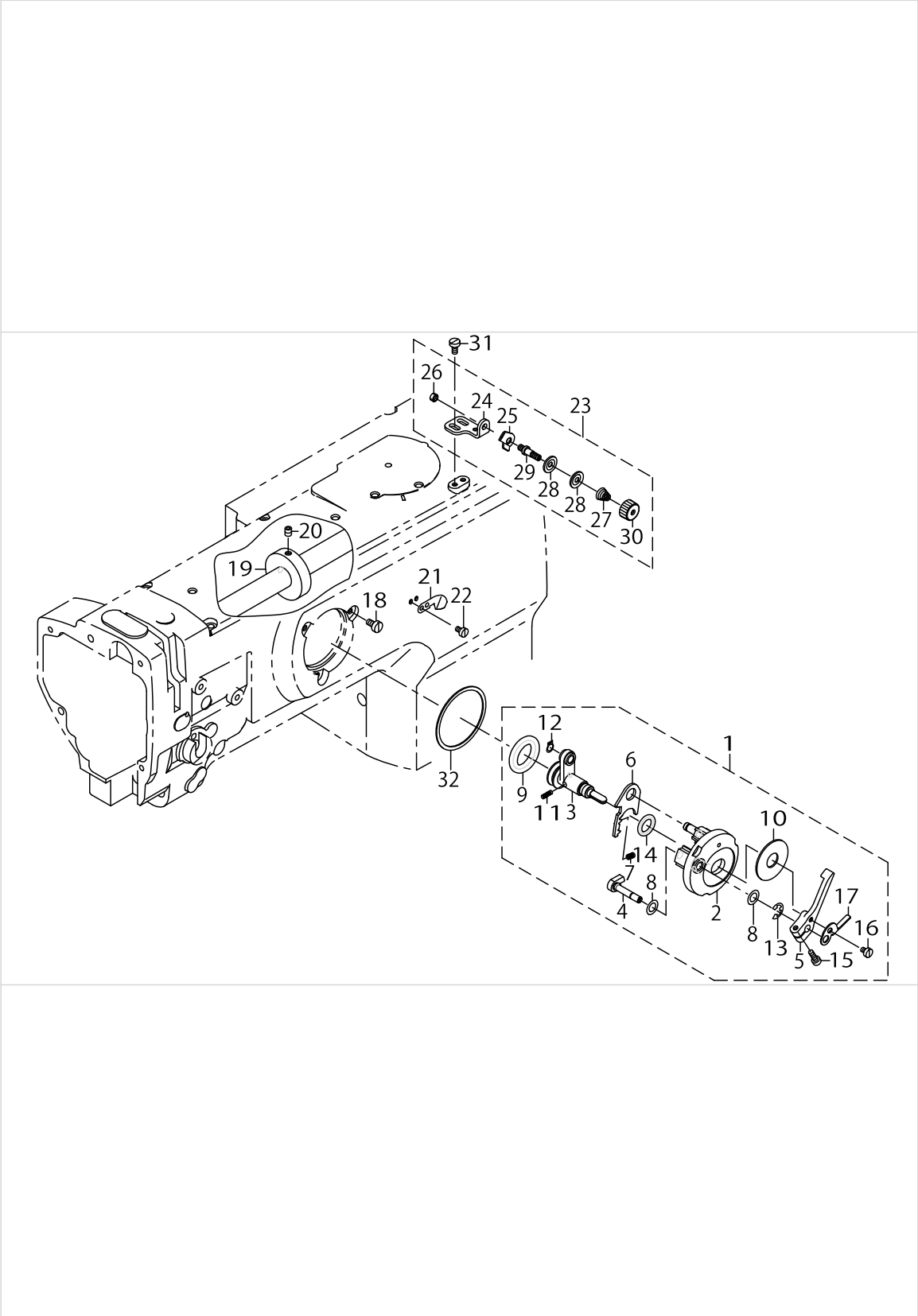
KNEE LIFTING COMPONENTS



KNEE LIFTING COMPONENTS

No.	Supply Code	Parts No.	Replacement	Parts name	Remarks	Choice	Step	Level	Cons	Qty	Rep. QTY
1		21343207		KNEE LIFTER SHAFT BASIS						1	
2		SM6061202TP		SCREW M6 L=12						3	
3		21342555		KNEE LIFTER SHAFT A ASM.						1	
4	R	21342506	21342555	KNEELIFTERSCHAFTA				*		1	1.00
5	R	21342605	21342555	KNEE LIFTER SHAFT PIN				*		1	1.00
6		21343702		KNEE LIFTER SHAFT A SPRING						1	
7		21343801		KNEE LIFTER SPRING RACK						1	
8		SM6051602TP		SCREW M5X0.8 L=16						1	
9		21342704		KNEELIFTERSCHAFTB						1	
10		RE0800000K0		E-SHAPED SNAP RING (8MM)						1	
11		21343009		KNEELIFTERLEVERB						2	
12		SM6051602TP		SCREW M5X0.8 L=16						2	
13		21342803		KNEELIFTERLEVERA						1	
14		SM6051602TP		SCREW M5X0.8 L=16						1	
15		SM8052502TP		SCREW M5X0.8 L=25						1	
16		NM6050001SD		NUT M5X0.8						1	
17		21342902		KNEE LIFTER LINK						1	
18		SD0700451TP		HINGE SCREW D=7 H=4.5						2	
19		21343405		KNEE LIFTER CONNECTING PLATE						1	
20		SD0700451TP		HINGE SCREW D=7 H=4.5						2	
21		21343355		KNEE LIFTER LEVER						1	
22		SM6062502TP		SCREW M6 L=25						2	
23		22863252		KNEE LIFTER JOINT ASM.						1	
24	R	22863203	22863252	KNEE LIFTER JOINT				*		1	1.00
25		B3428521000		PRESSER SPRING				*		1	
26		SS7090510SP		SCREW 9/64-40 L= 4.6				*		1	
27		22932453		BRACKET ASM.						1	
28	R	22932404	22932453	BRACKET				*		1	1.00
29		22934707		SCREW				*		2	
30		21343157		KNEE PRESS PLATE ASM.						1	
31		SM9061203SE		SCREW M6 L=12				*		1	
32	R	21343108	21343157	KNEE PRESS LEVER				*		1	1.00
33		22934509		KNEE PAD PLATE COVER				*		1	
34		22934400		KNEE PAD PLATE RUBBER				*		1	
35		22934202		KNEE PAD PLATE				*		1	
36		22934301		KNEE PAD PLATE SUPPORT				*		1	

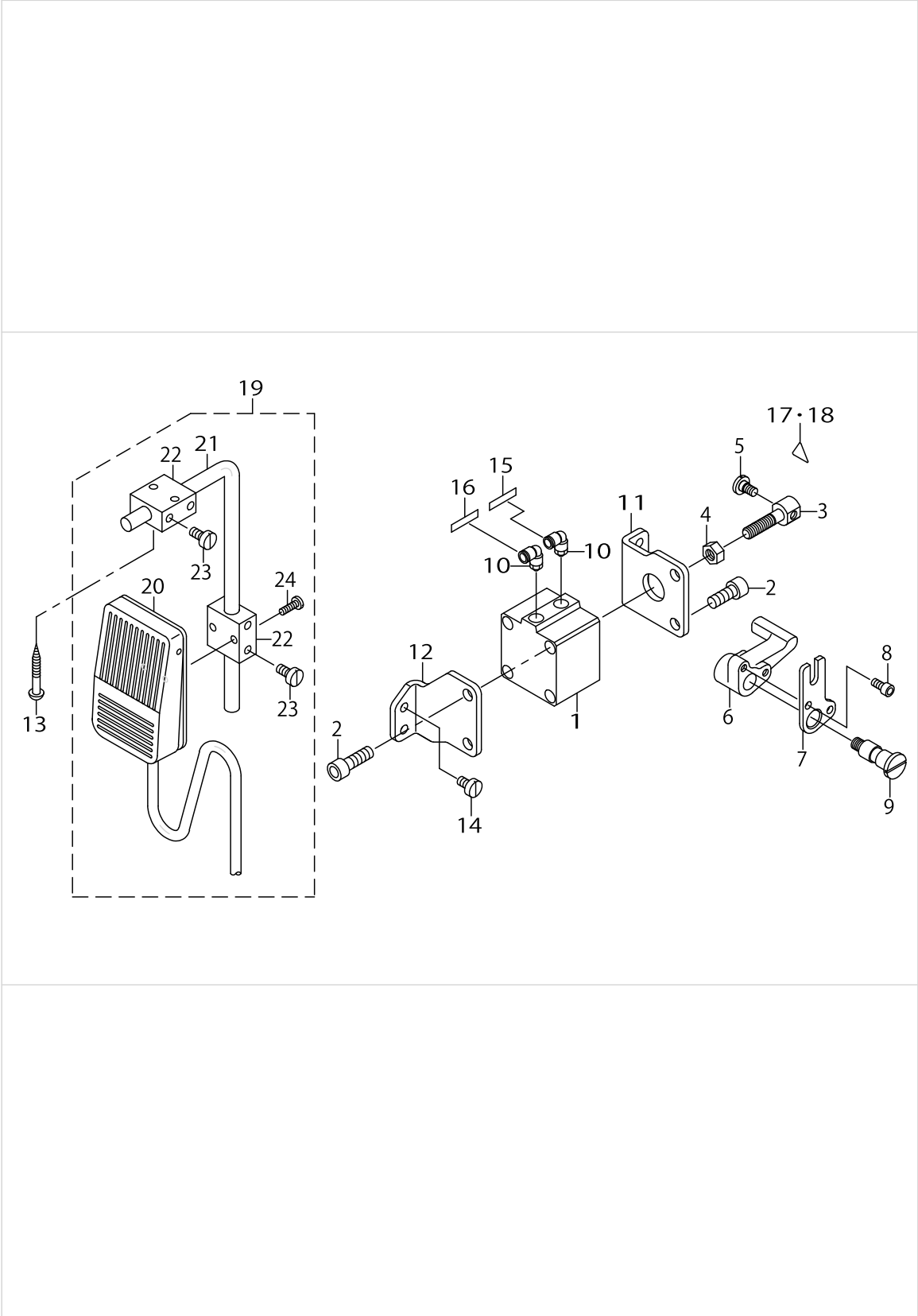
LOWER THREAD WINDER MECHANISM COMPONENTS



LOWER THREAD WINDER MECHANISM COMPONENTS

No.	Supply Code	Parts No.	Replacement	Parts name	Remarks	Choice	Step	Level	Cons	Qty	Rep. QTY
1		21357967		BOBBIN DEVICE ASM.						1	
2		22537658		BOBBIN FITTING BASIS COMPL.				*		1	
3		21357959		BOBIN SHAFT COMPL.				*		1	
4		22538151		BOBBIN CAM SHAFT COMPL.				*		1	
5		23636202		BOBBIN LEVER				*		1	
6		21356001		ADJUSTING PLATE				*		1	
7		B152989000CA		PRESSUR FOOT SPRING				*		1	
8		10618304		VERTICAL ROLLER WASHER				*		2	
9		A321600100A		RUBBER RING				*		1	
10		B3205210000		CUSHION				*		1	
11	R	B1148555000	22912109	SPRING				*		1	1.00
12		RC0560711KP		RETAINING RING				*		1	
13		RE0500000K0		E-RING				*		1	
14		RO092270200		RUBBER RING				*		1	
15		SS7091410SP		SCREW 9/64-40 L=13.5				*		1	
16		SS6090520SP		SCREW 9/64-40 L= 5.0				*		1	
17		14512503		BOBBIN ADJUSTING PLATE				*		1	
18		SS6110810TP		SCREW 11/64-40 L=8						3	
19		10704807		BOBBIN FRICTION WHEEL						1	
20		SM8050602TP		SCREW M5 L=6						2	
21		10502300		THREAD CUTTER						1	
22	R	SS6090620SP	SS6090620TP	SCREW 9/64-40 L=6						2	1.00
23		21355755		LOWER THREAD GUIDE ASM.						1	
24	R	21355706	21355755	FITTING BASE				*		1	1.00
25		D3162555B00		THREAD GUIDE				*		1	
26		NS6110310SP		NUT 11/64-40				*		1	
27		D3168555H0B		TENSION SPRING NO.1				*		1	
28	R	B3214047000	22945802	BOBBIN WINDER TENSION DISC				*		2	1.00
29	R	21378708	21355755	THREAD TENSION POST				*		1	1.00
30		11072402		THREAD TENSION NUT				*		1	
31		SM6040800SP		SCREW						2	
32		22538706		PACKING						1	

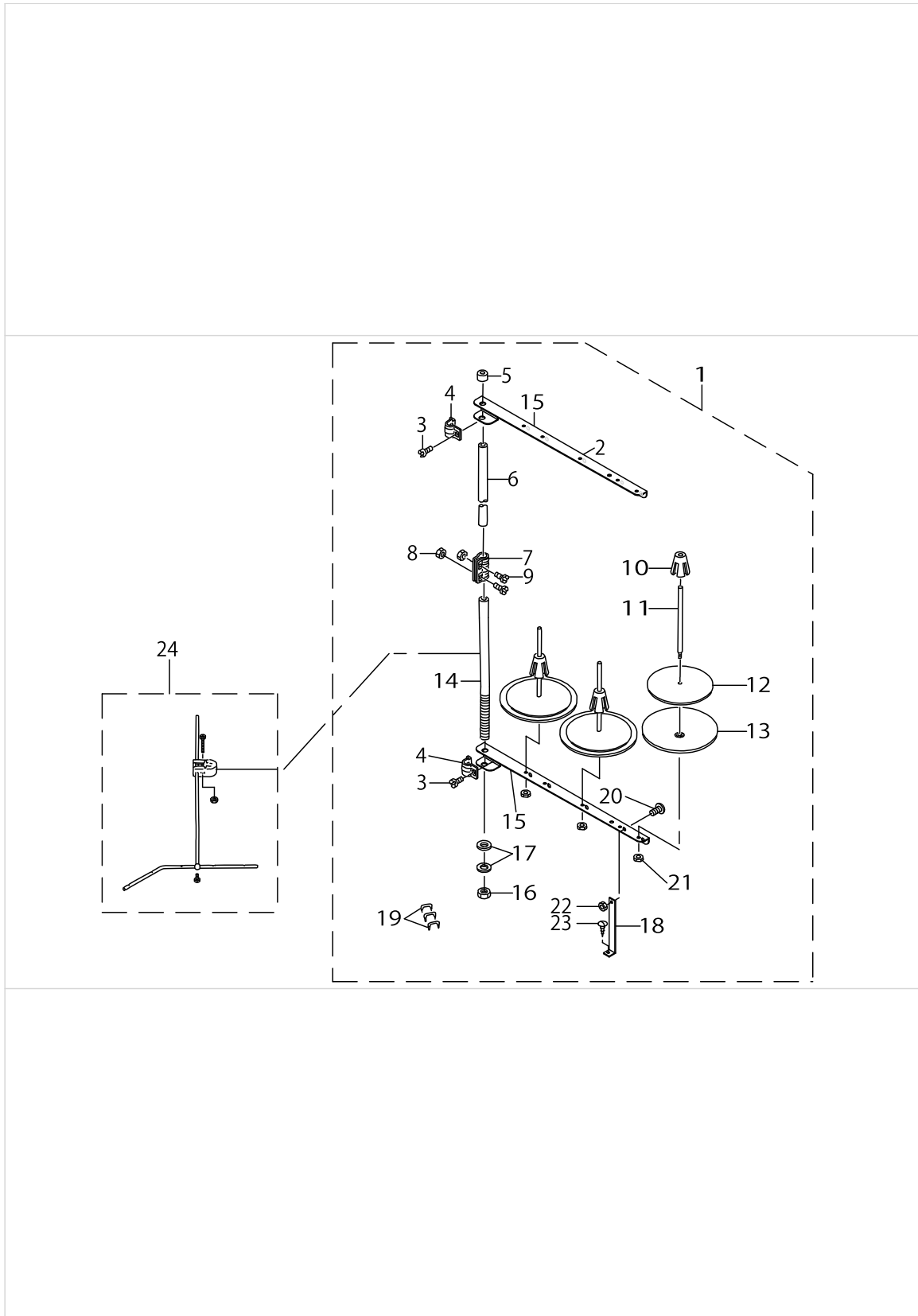
AUTOMATIC PRESSER LIFTING MECHANISM (OPTION) COMPONENTS



AUTOMATIC PRESSER LIFTING MECHANISM (OPTION) COMPONENTS

No.	Supply Code	Parts No.	Replacement	Parts name	Remarks	Choice	Step	Level	Cons	Qty	Rep. QTY
1		PA400150100		AIR CYLINDER						1	
2		SM6082002TP		SCREW M8 L=20						4	
3		21356506		CYLINDER CONNECTING SCREW						1	
4		NM6080001SE		NUT M8						1	
5		SD0720331SP		HINGE SCREW D= 7.24 H= 3.3						1	
6		21356605		LEVER A						1	
7		21356803		LEVER B						1	
8		SM6051002TP		SCREW M5X0.8 L=10						2	
9		21356704		SHAFT						1	
10		PJ304065102		ELBOW						2	
11		21356308		CYLINDER STAY(FRONT)						1	
12		21356407		CYLINDER STAY(REAR)						1	
13	R	SK3514000SC	SK3514001SE	WOOD SCREW D=5.1 L=40						2	1.00
14		SS6151040SP		SCREW15/64-28L=10						4	
15		HX002950000		WIRE MARK(1)						1	
16		HX00295000A		WIRE MARK(2)						1	
17		CM3002000B1		LABEL(16)	FOR JAPAN					1	
18		CM300200001		ATTENTION SEAL	EXCEPT JAPAN					1	
19		GAKA14040D0		KNEE SWITCH B ASM.						1	
20		GAKA14040B0		KNEE SWITCH B ASM.				*		1	
21		MAT80231T00		DRIVING BAR, T002				*		1	
22		MAT80230T00		KNEE SWITCH SUPPORT BASE				*		2	
23		SS6151220SP		SCREW 15/64-28 L=11.5				*		4	
24	R	SS7111410SP	SS7111410TP	SCREW11/64-40L=14				*		2	1.00

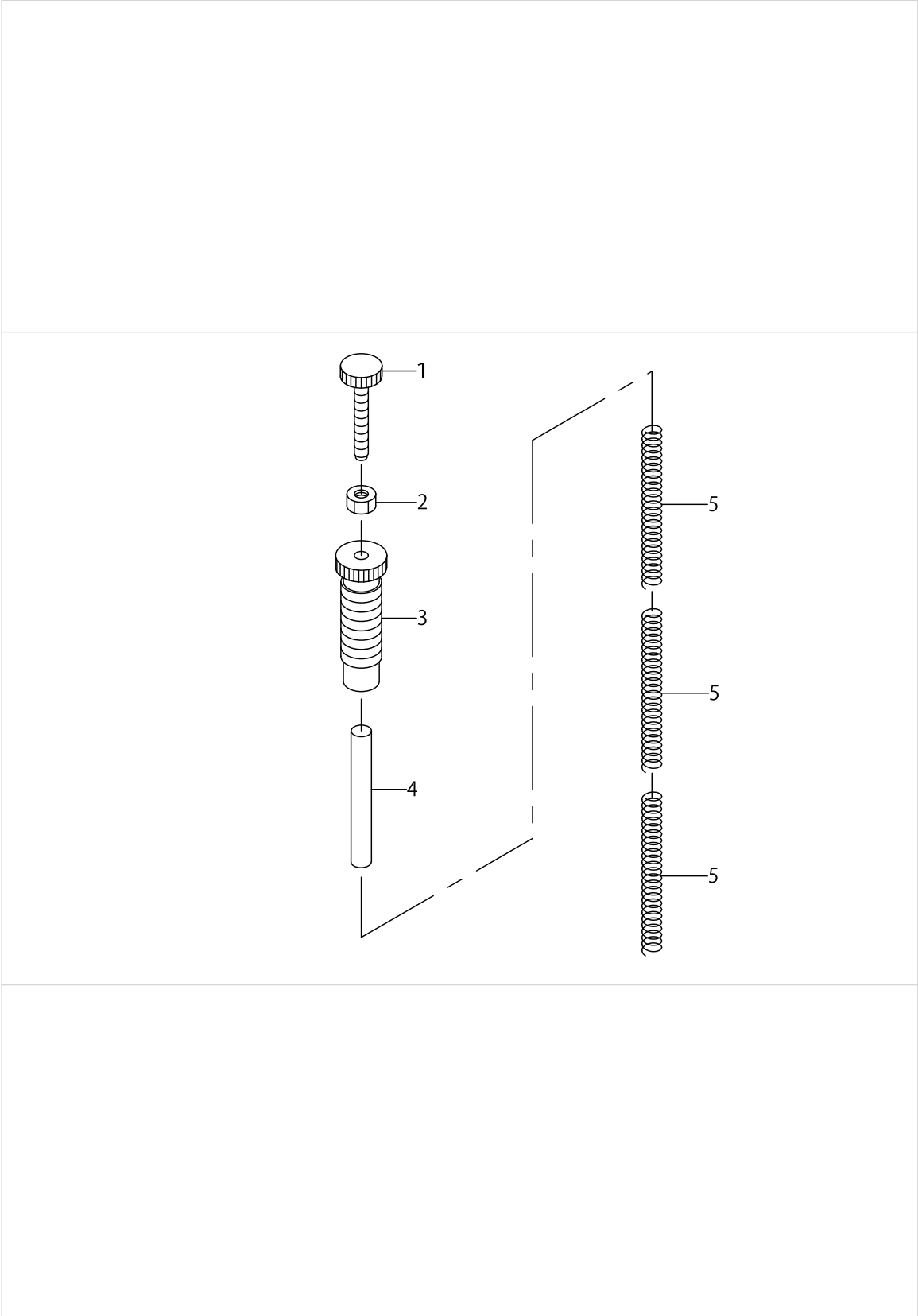
THREAD STAND COMPONENTS



THREAD STAND COMPONENTS

No.	Supply Code	Parts No.	Replacement	Parts name	Remarks	Choice	Step	Level	Cons	Qty	Rep. QTY
1	R	D3301772TAB	26105551	THREAD STAND ASM.		A	LBH,MOL,AVP			1	1.00
1	R	D3301772TAB	26910158	THREAD STAND ASM.		B	LG,LH,LU			1	1.00
2	R	B3319704L00	22931208	THREAD GUIDE				*		3	1.00
3		SM6061610SC		SCREW M6 L=16				*		2	
4		B3318704L00A		THREAD GUIDE ARM JOINT				*		2	
5	R	B3311704000	22931406	SPOOL REST ROD CAP				*		1	1.00
6	R	11185204	40096354	SPOOL REST ROD,UPPER				*		1	1.00
7	R	B3305704000A	40096354	SPOOL REST ROD JOINT				*		1	1.00
8		NM6050001SE		NUT M5				*		2	
9		SM4051405SE		SCREW M5 L=14				*		2	
10	D	11185501		SPOOL RETAINER				*		3	
11	R	B3320704L00A	40085790	SPOOL PIN				*		3	1.00
12	D	B3311012000		SPOOL REST CUSHION				*		3	
13	R	11966504	22930804	SPOOL REST				*		3	1.00
14	R	11185105	40096354	SPOOL REST ROD,LOWER				*		1	1.00
15	R	11969508	13168802	SPOOL REST ARM A				*		2	1.00
16	R	B3317704000	NM6160511SE	NUT				*		1	1.00
17		WP1612616SE		WASHER 16X30X2.6				*		2	
18		B3321704L00		SPOOL REST ARM SUPPORT, A				*		1	
19		MAO11532000		CORD STAPLE				*		3	
20		SM4061201SE		SCREW M6 L=12				*		1	
21		NM6050001SE		NUT M5				*		3	
22		NM6060001SE		NUT M6				*		1	
23		SK3382001SE		SCREW D=3.8 L=20				*		1	
24	R	B33097040A0	26910059	THREAD GUIDE ARM ASM.	FOR LU-1560-7					1	1.00

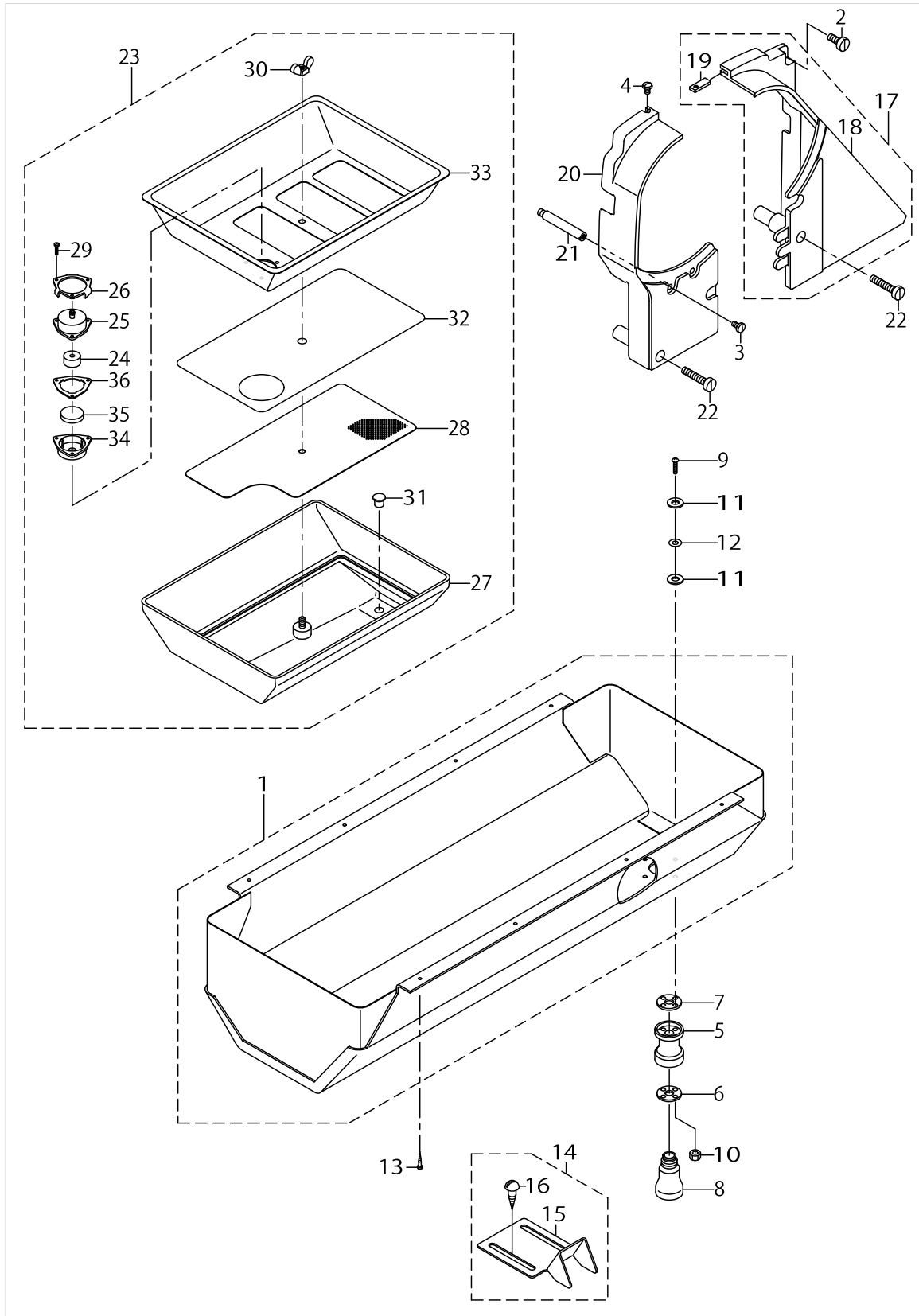
OPTIONAL PARTS (ADDITIONAL SPRING FOR PRESSER BAR) COMPONENTS



OPTIONAL PARTS (ADDITIONAL SPRING FOR PRESSER BAR) COMPONENTS

No.	Supply Code	Parts No.	Replacement	Parts name	Remarks	Choice	Step	Level	Cons	Qty	Rep. QTY
1		21006507		ADJUST SCREW B						1	
2		NS6110530SP		NUT 11/64-40						1	
3		21006408		ADJUST SCREW A						1	
4		21342407		GUIDE SHAFT						1	
5		21006002		ADJUST SPRING B						3	

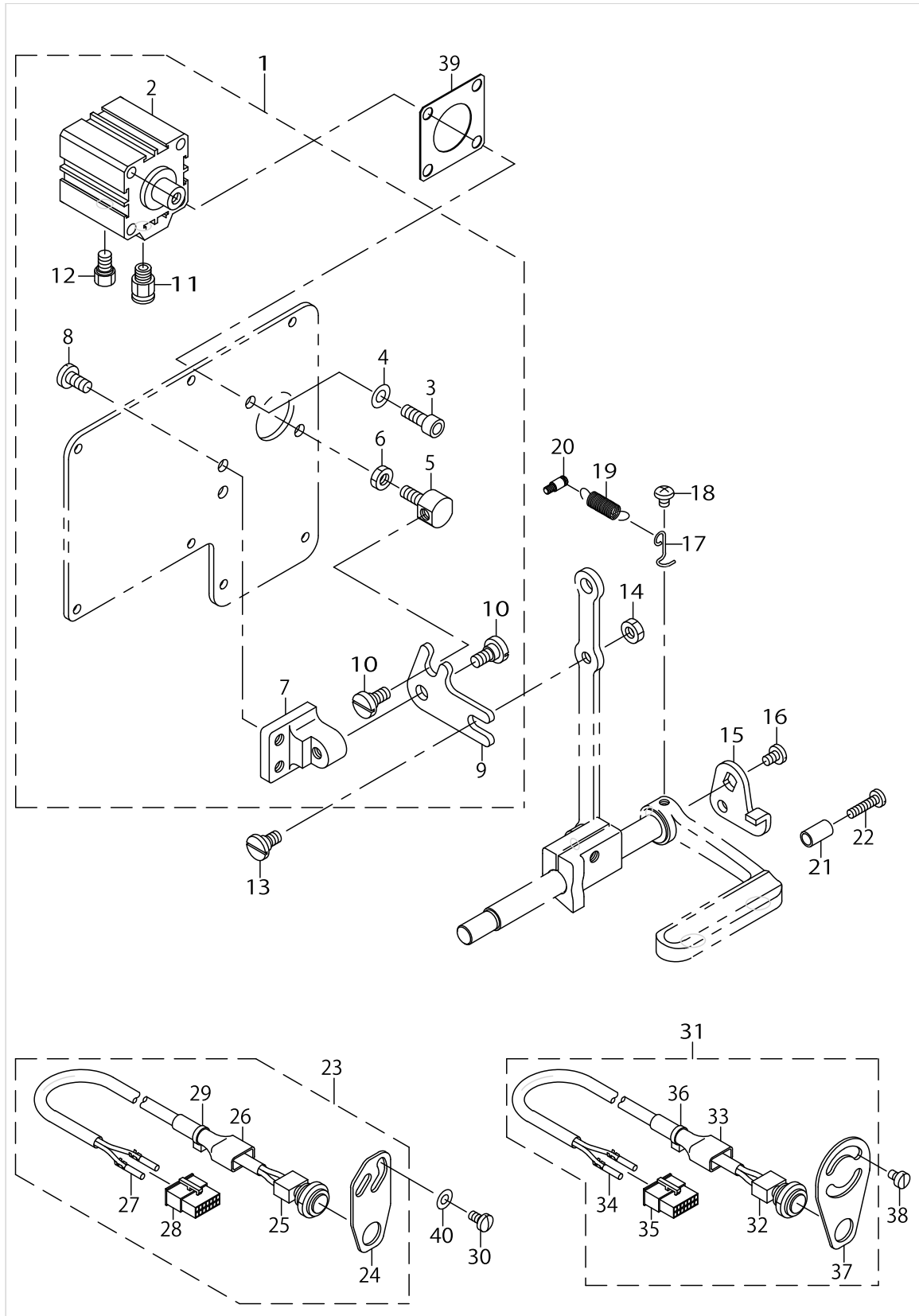
BELT COVER & OIL RESERVOIR COMPONENTS



BELT COVER & OIL RESERVOIR COMPONENTS

No.	Supply Code	Parts No.	Replacement	Parts name	Remarks	Choice	Step	Level	Cons	Qty	Rep. QTY
1		21351457		OIL RESERVOIR ASM.						1	
2		SS6151440SP		SCREW15/64-28L=14						1	
3		SS7110840SP		SCREW 11/64-40 L=7.8						1	
4		SS5110740TP		SCREW 11/64-40 L= 6.5						1	
5		B8202205000		OIL MANAGEMENT						1	
6		B8111220000		WASHER						1	
7		B8112220000		OIL SEAL						1	
8		B9121012000		OIL CAN						1	
9		SM3031401SE		SCREW M3X0.5 L=14						4	
10		NM6030001SC		NUT M3						4	
11		10748101		OIL REMOVING SET- SCREW PACKING						8	
12		WP0320501SC		WASHER M3						4	
13		SK3241601SC		WOOD SCREW D=2.4 L=16						8	
14		10755254		BELT COVER C ASM. (FOR JE)						1	
15		10755205		BELT COVER C(JE)				*		1	
16	R	SK3482500SC	SK3482501SE	WOOD SCREW D=4.8 L=25				*		2	1.00
17		21351150		BELT COVER ASM. (RIGHT)						1	
18	R	21351101	21351150	BELT COVER (RIGHT)				*		1	1.00
19		21351002		BELT COVER AUXILIARY PLATE				*		1	
20		21351200		BELT COVER (LEFT)						1	
21		D8232241E00		BELT COVER SUPPORT A						1	
22		SS6153040SP		SCREW15/64-28L=30						2	
23		21345350		OIL TANK ASM.						1	
24		10727303		FILTER				*		1	
25		10727204		FILTER CAP				*		1	
26		10753002		FILTER PLATE				*		1	
27		21345301		OIL TANK				*		1	
28		21346804		COVER(LOWER)				*		1	
29		SM6021000TP		SCREW				*		3	
30		NM9050001SC		WING NUT M5X0.8				*		1	
31		TA0800704R0		RUBBER PLUG				*		1	
32		21346903		FILTER				*		1	
33		21346705		COVER(REAR)				*		1	
34		21345509		FILTER CASE				*		1	
35		B8228125000		OIL RESERVOIR MAGNET				*		1	
36		10739209		FILTER PACKING				*		1	

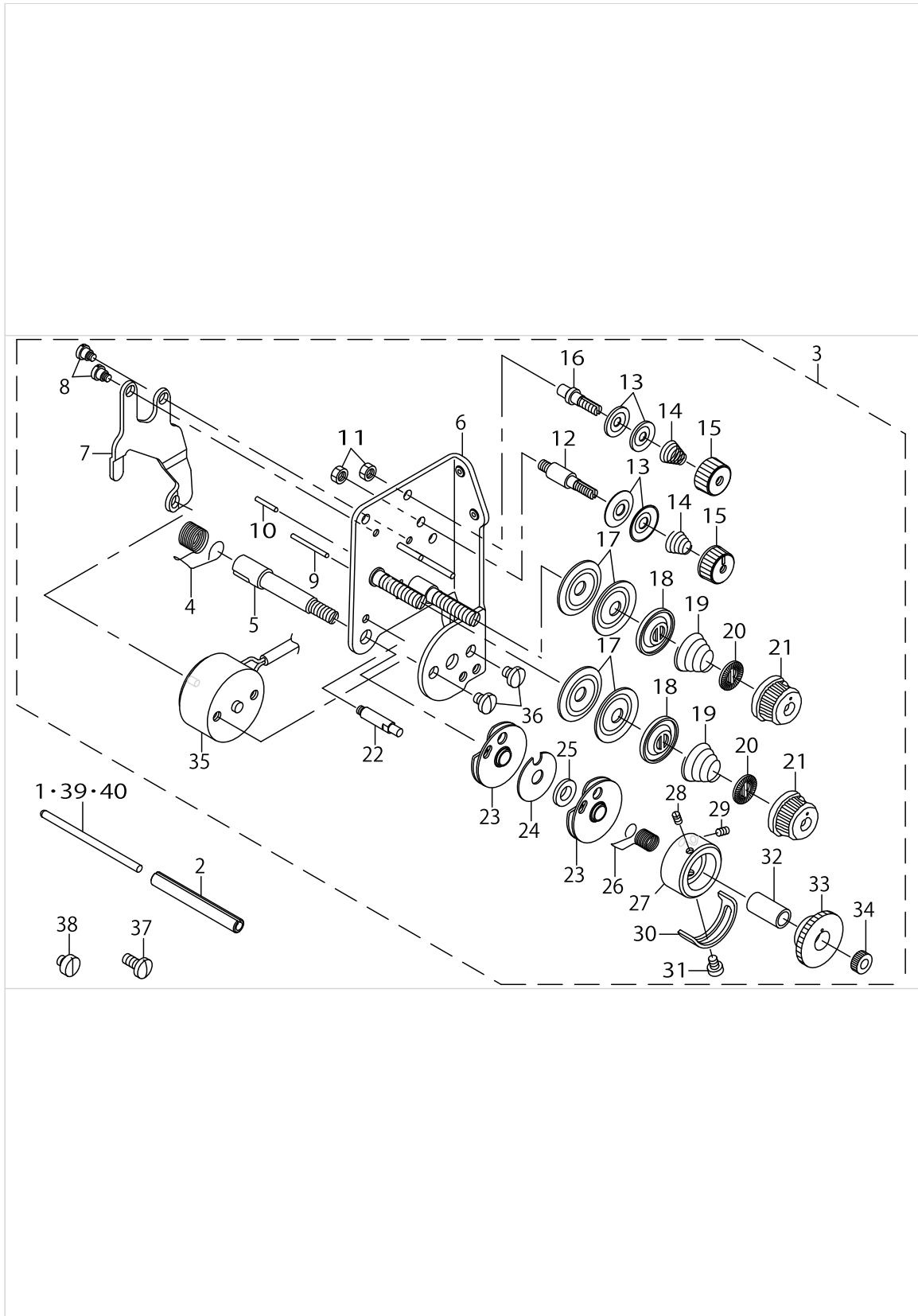
AUTOMATIC BACK COMPONENTS (FOR LU-1560-7)



AUTOMATIC BACK COMPONENTS (FOR LU-1560-7)

No.	Supply Code	Parts No.	Replacement	Parts name	Remarks	Choice	Step	Level	Cons	Qty	Rep. QTY
1		21348958		WINDOW PLATE ASM.						1	
2		PA320150200		JIG CYLINDER				*		1	
3		SM6061602TP		SCREW M6 L=16				*		2	
4		WP0641601SD		WASHER M6				*		2	
5		21348602		CYLINDER CONNECTING SCREW				*		1	
6		NM6060003SC		NUT M6				*		1	
7		21348503		FITTING BASE				*		1	
8		SS7151210SP		SCREW15/64-28L=12				*		2	
9		21348701		BACKWARD FEED LINK				*		1	
10		SD0800352SP		HINGE SCREW D= 8 H= 3.5				*		2	
11		PJ301065104		HALF UNION				*		1	
12		PX015101000		MUFFLER				*		1	
13		SD0800402TP		HINGE SCREW D= 8 H= 4						1	
14		NS6150430SP		NUT 15/64-28						1	
15		22656102		REVERSE FEED LINK, (1)						1	
16		SS7120760SP		SCREW 3/16-28L=7.0						1	
17		22656003		SPRINGSUSPENSION						1	
18		SS4120615SP		SCREW 3/16-28 L=6						1	
19	R	13515606	26226209	SPRING						1	1.00
20		10120004		SPRINGSUSPENSION						1	
21	R	11100500	22952501	REVERSE FEED LEVER STOPPER						1	1.00
22	R	SS7111810SP	SS7111810TP	SCREW11/64-40L=18						1	1.00
23		21348859		TOUCH BUCK SWITCH ASM.	EXCEPT JAPAN					1	
24		21348800		SWITCH FITTING PLATE				*		1	
25		D1680141EA0		TOUCH BUCK SWITCH ASM				*		1	
26		MAT81126T00		2-POLE PLUG COVER				*		1	
27		HK03464000B		PIN CONTACT				*		2	
28		HK034610140		HOUSING 14P				*		1	
29		EA9500B0100		CABLE BAND				*		1	
30		SS7110840SP		SCREW 11/64-40 L=7.8	EXCEPT JAPAN					2	
31	D	21349055		TOUCH BUCK SWITCH B ASM.	FOR JAPAN					1	
32		D1680141EA0		TOUCH BUCK SWITCH ASM				*		1	
33		MAT81126T00		2-POLE PLUG COVER				*		1	
34		HK03464000B		PIN CONTACT				*		2	
35		HK034610140		HOUSING 14P				*		1	
36		EA9500B0000		CLIP CV-70S				*		1	
37		21349006		SWITCH FITTING PLATE B				*		1	
38		SS6110610TP		SCREW 11/64-40 L=6	FOR JAPAN					2	
39		21349105		CYLINDER PACKING						1	
40		WP0501016SD		WASHER 5X10.5X1						2	

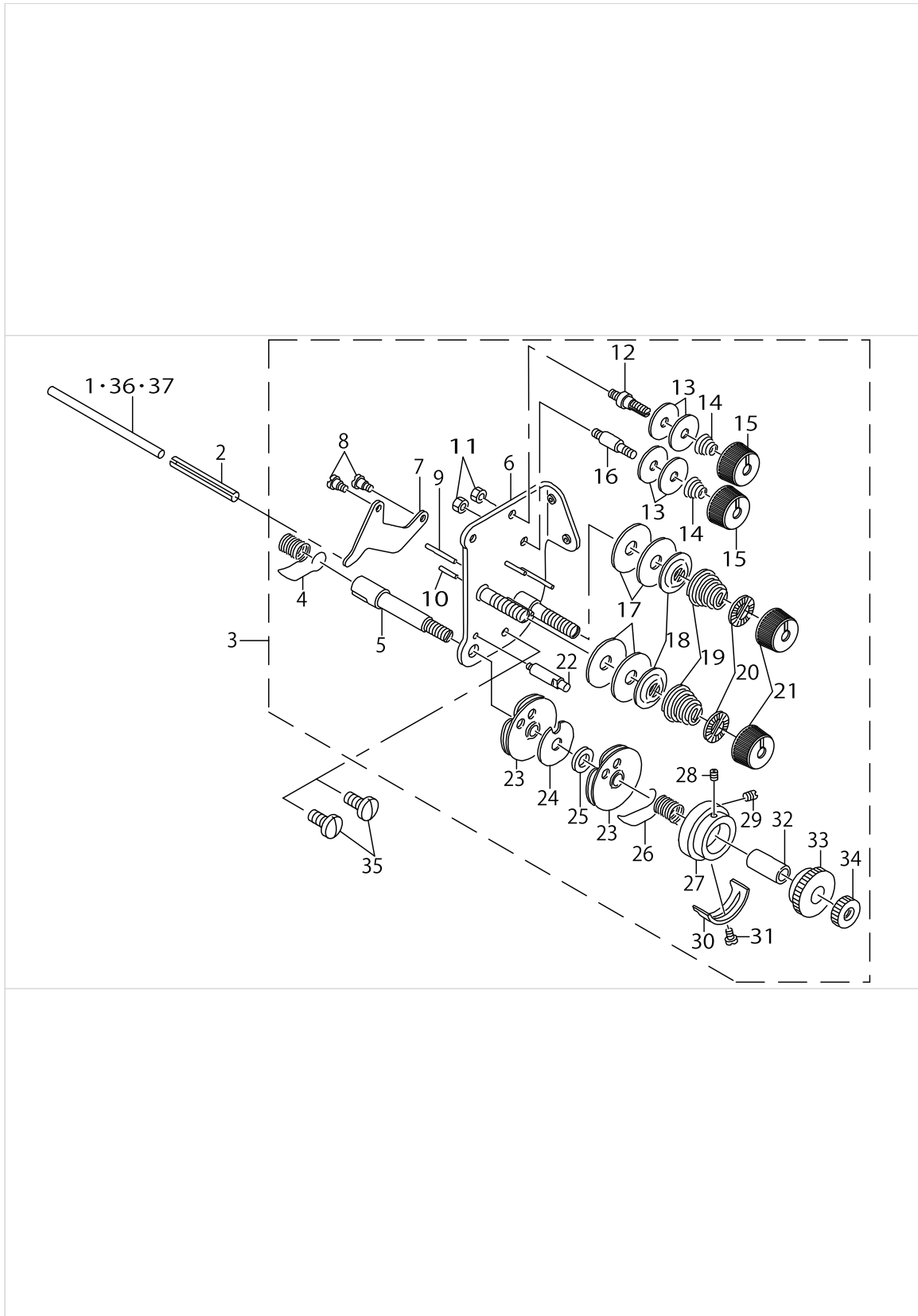
THREAD TENSION COMPONENTS (FOR 1560-7)



THREAD TENSION COMPONENTS (FOR 1560-7)

No.	Supply Code	Parts No.	Replacement	Parts name	Remarks	Choice	Step	Level	Cons	Qty	Rep. QTY
1		10321107		TENSION RELEASE BAR	SELECTIVE PARTS					1	
2		PS0600502KP		SPRING PIN						1	
3		21377973		THREAD TENSION ASM.						1	
4		B3128051000		THREAD TAKE-UP SPRING, A				*		1	
5		10124501		THREAD TAKE-UP SPRING STUD				*		1	
6		21377957		THREAD TENSION POST COMPL.				*		1	
7		21378005		THREAD TENSION RELEASE PLATE				*		1	
8		SD0470281SP		HINGE SCREW D=4.7 H=2.8				*		2	
9		22618300		TENSION RELEASE PIN, B				*		1	
10		22618201		TENSION RELEASE PIN, A				*		1	
11		NS6110310SP		NUT 11/64-40				*		2	
12		10124204		THREAD TENSION POST, A				*		1	
13	R	B3214047000	22945802	BOBBIN WINDER TENSION DISC				*		4	1.00
14		D3168555H0B		TENSION SPRING NO.1				*		2	
15		11072402		THREAD TENSION NUT				*		2	
16		10124303		THREAD TENSION POST, B				*		1	
17	R	B3126012000	22921506	THREAD TENSION DISK				*		4	1.00
18		22617906		THREAD TENSION DISK PRESSER				*		2	
19		B3129053000		TENSION SPRING				*		2	
20		B3120125000		ROTATING STOPPER				*		2	
21		11956802		THREAD TENSION KNOB, BLUE				*		2	
22		B3143527000		TAKE-UP SPRING GUIDE STUD				*		1	
23		B31375270A0		TAKE-UP SPRING GUIDE ASM.				*		2	
24		B3142527000		TAKE-UP SPRING GUIDE PLATE				*		1	
25		B3139527000		COLLAR				*		1	
26		B3128527000		THREAD TAKE-UP SPRING B				*		1	
27		22617609		THREAD TENSION POST				*		1	
28		SS8080410TP		SCREW 1/8-44 L=3.5				*		1	
29		SS8080610SP		SCREW 1/8-44 L=5.5				*		1	
30		B3138527000		ADJUSTING PLATE B				*		1	
31		SS7090510SP		SCREW 9/64-40 L=4.6				*		1	
32		B3141527000		PRESSER COLLAR				*		1	
33		22617708		TAKE-UP SPRING GUIDE				*		1	
34	R	B3125012000	22928808	THREAD TENSION NUT				*		1	1.00
35		21363106		TENSION RELEASE SOLENOID				*		1	
36		SS7110570SP		SCREW 11/64-40 L= 4.8				*		2	
37	R	SS7110910SP	SS7110910TP	SCREW 11/64-40 L=8.5						2	1.00
38		SS6110480SP		SCREW 11/64-40 L=4.3						1	
39		21348206		TENSION RELEASE BAR	SELECTIVE PARTS					1	
40		23006406		TENSION RELEASE BAR	SELECTIVE PARTS					1	

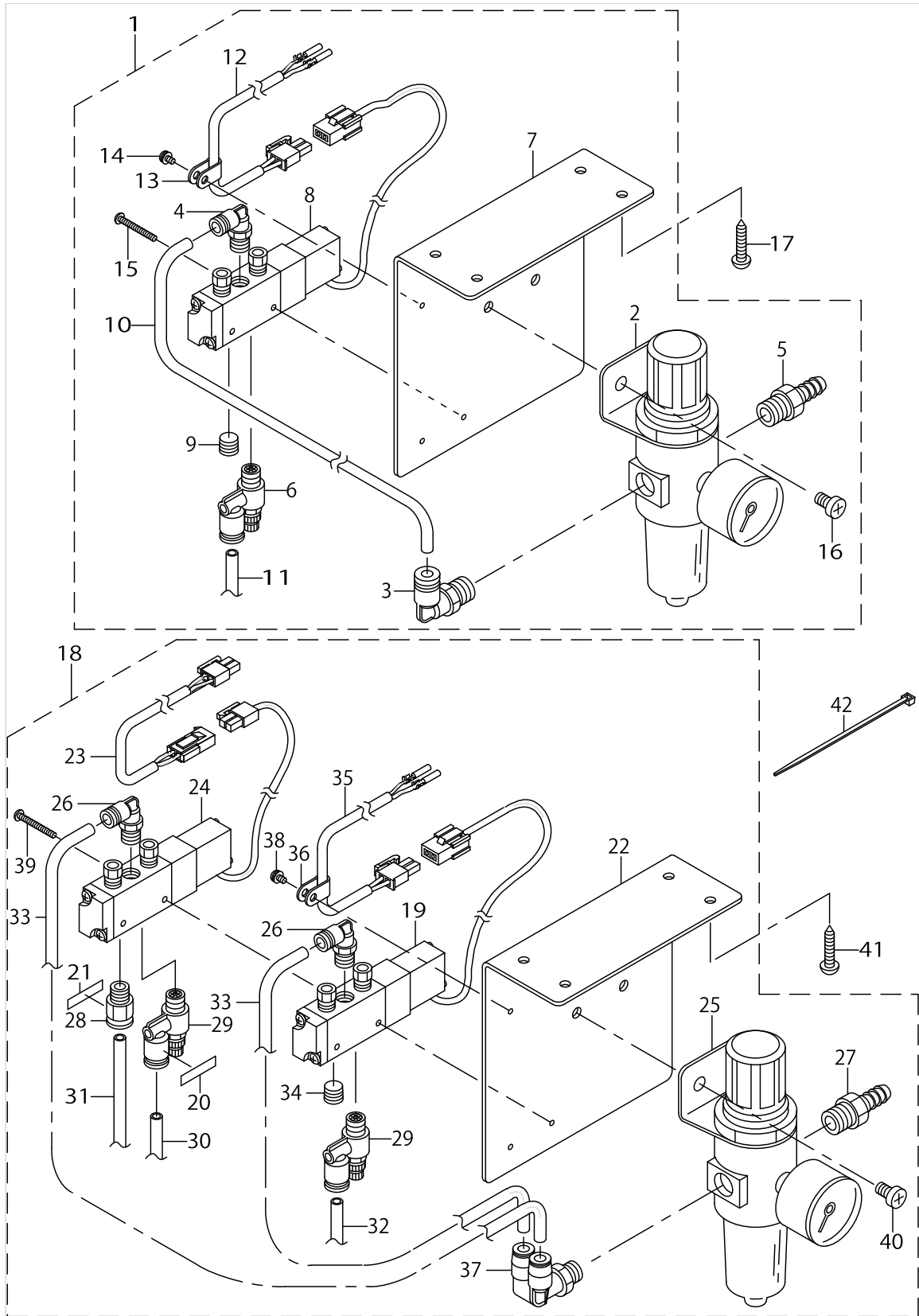
THREAD TENSION COMPONENTS (FOR LU-1560)



THREAD TENSION COMPONENTS (FOR LU-1560)

No.	Supply Code	Parts No.	Replacement	Parts name	Remarks	Choice	Step	Level	Cons	Qty	Rep. QTY
1		23006406		TENSION RELEASE BAR	SELECTIVE PARTS					1	
2		PS0600502KP		SPRING PIN						1	
3	D	23022353		THREAD TENSION ASM.						1	
4		B3128051000		THREAD TAKE-UP SPRING, A				*		1	
5		10124501		THREAD TAKE-UP SPRING STUD				*		1	
6		10355055		TENSION POST ASM.				*		1	
7		B3134521000		TENSION RELEASE LEVER				*		1	
8		SD0470281SP		HINGE SCREW D=4.7 H=2.8				*		2	
9		B3127527000		PIN B				*		1	
10		B3127051000		TENSION RELEASE PIN, SHORT				*		1	
11		NS6110310SP		NUT 11/64-40				*		2	
12		10124204		THREAD TENSION POST, A				*		1	
13	R	B3214047000	22945802	BOBBIN WINDER TENSION DISC				*		4	1.00
14		D3168555H0B		TENSION SPRING NO.1				*		2	
15		11072402		THREAD TENSION NUT				*		2	
16		10124303		THREAD TENSION POST, B				*		1	
17		B3126051000		TENSION DISC				*		4	
18		B3132051000		TENSION DISC HOLDER				*		2	
19		B3129053000		TENSION SPRING				*		2	
20		B3120125000		ROTATING STOPPER				*		2	
21		11072204		TENSION NUT				*		2	
22		B3143527000		TAKE-UP SPRING GUIDE STUD				*		1	
23		B31375270A0		TAKE-UP SPRING GUIDE ASM.				*		2	
24		B3142527000		TAKE-UP SPRING GUIDE PLATE				*		1	
25		B3139527000		COLLAR				*		1	
26		B3128527000		THREAD TAKE-UP SPRING B				*		1	
27	R	B3140527000	22617609	THREAD TENSION POST				*		1	1.00
28		SS8080410TP		SCREW 1/8-44 L=3.5				*		1	
29		SS8080610SP		SCREW 1/8-44 L=5.5				*		1	
30		B3138527000		ADJUSTING PLATE B				*		1	
31	R	SS7090520SP	SS7090520TP	SCREW 9/64-40 L=4.5				*		1	1.00
32		B3141527000		PRESSER COLLAR				*		1	
33		B3125527000		TAKE-UP SPRING GUIDE				*		1	
34	R	B3125012000	22928808	THREAD TENSION NUT				*		1	1.00
35		SS7110910TP		SCREW 11/64-40 L= 8.5						2	
36		21348206		TENSION RELEASE BAR	SELECTIVE PARTS					1	
37		10321107		TENSION RELEASE BAR	SELECTIVE PARTS					1	

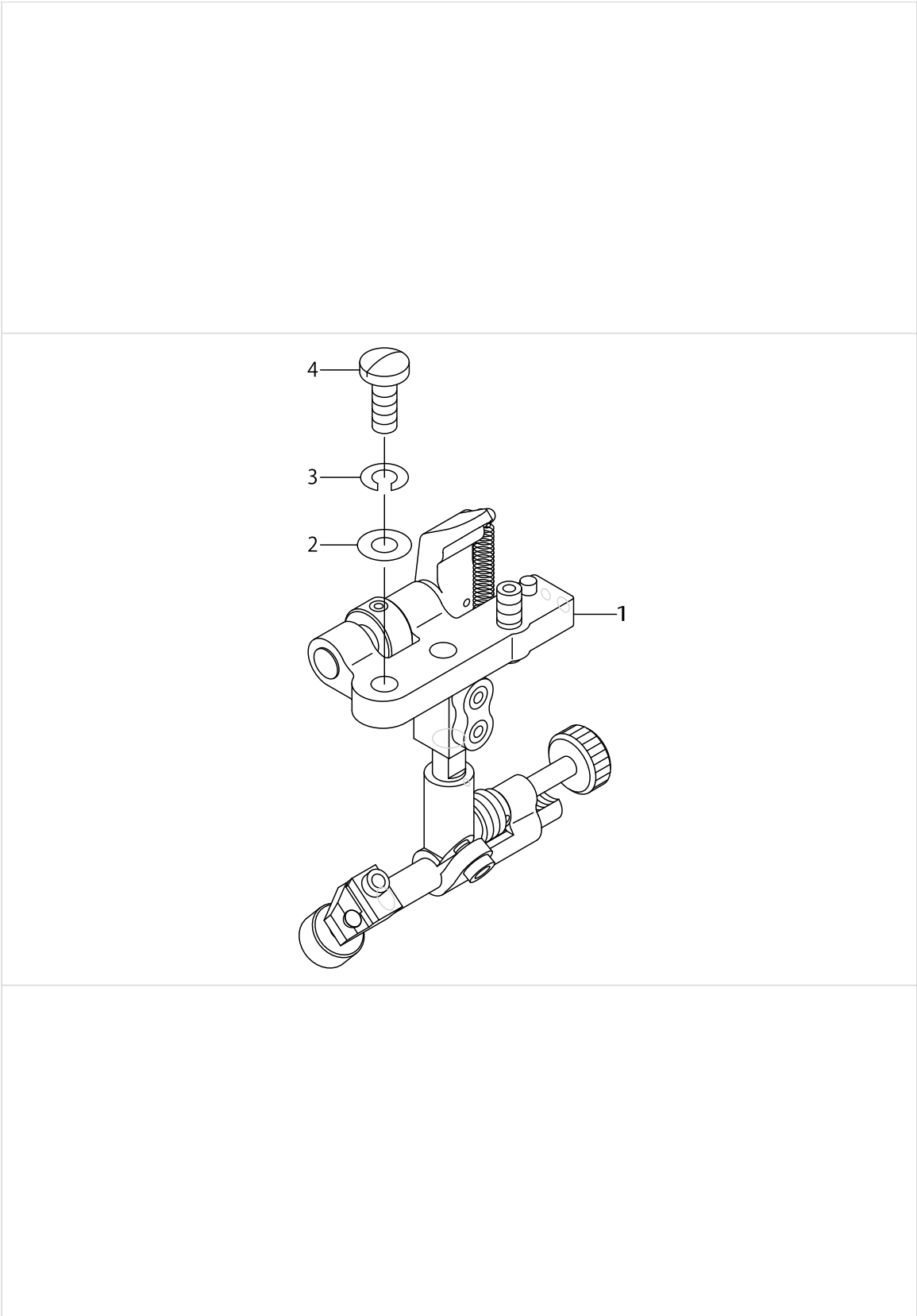
AIR MECHANISM COMPONENTS (FOR LU-1560-7)



AIR MECHANISM COMPONENTS (FOR LU-1560-7)

No.	Supply Code	Parts No.	Replacement	Parts name	Remarks	Choice	Step	Level	Cons	Qty	Rep. QTY
1		23105554		AIR COMPONENTS ASM.						1	
2		GAK29007000		FILTER REGULATOR				*		1	
3		GAK29009000		ELBOW				*		1	
4		GAK29010000		ELBOW B				*		1	
5		GAK29011000		NIPPLE				*		1	
6		GAK29016000		SPEED CONTROLLER				*		1	
7		GAKA1401000		SOLENOID VALVE MOUNTING PLATE				*		1	
8		GAKA17040A0		SOLENOID VALVE ASM.				*		1	
9		GHP03511000		PLUG 1/8				*		1	
10		BT0600401EB		TUBE				*		0.18	
11		BT0600401EB		TUBE				*		1.3	
12		GAKA17050A0		CORD ASM.				*		1	
13		HX001230000		CABLE CLIP				*		1	
14		SL4030691SC		SCREW M3X6				*		1	
15		SM4032501SB		SCREW M3X0.5 L=25.0				*		2	
16		SM4061001SB		SCREW M6 L=10				*		2	
17	R	SK3482500SC	SK3482501SE	WOOD SCREW D=4.8 L=25						4	1.00
18		GAKA17010A0		AIR COMPONENTS ASM.						1	
19		GAKA17040A0		SOLENOID VALVE ASM.				*		1	
20		HX002950000		WIRE MARK(1)				*		1	
21		HX00295000A		WIRE MARK(2)				*		1	
22		GAKA1401000		SOLENOID VALVE MOUNTING PLATE				*		1	
23		GAKA14020A0		CORD ASM.				*		1	
24		GAKA14030A0		SOLENOID VALVE ASM.				*		1	
25		GAK29007000		FILTER REGULATOR				*		1	
26		GAK29010000		ELBOW B				*		2	
27		GAK29011000		NIPPLE				*		1	
28		GAK29015000		JOINT A				*		1	
29		GAK29016000		SPEED CONTROLLER				*		2	
30		BT0600401EB		TUBE				*		1.3	
31		BT0600401EB		TUBE				*		1.3	
32		BT0600401EB		TUBE				*		1.3	
33		BT0600401EB		TUBE				*		0.18	
34		GHP03511000		PLUG 1/8				*		1	
35		GAKA17050A0		CORD ASM.				*		1	
36		HX00123000A		CABLE CLIP				*		1	
37		PJ309065202		JOINT				*		1	
38		SL4030691SC		SCREW M3X6				*		1	
39		SM4034001SN		SCREW M3 L=40				*		2	
40		SM4061001SB		SCREW M6 L=10				*		2	
41	R	SK3482500SC	SK3482501SE	WOOD SCREW D=4.8 L=25						4	1.00
42		EA9500B0100		CABLE BAND						3	

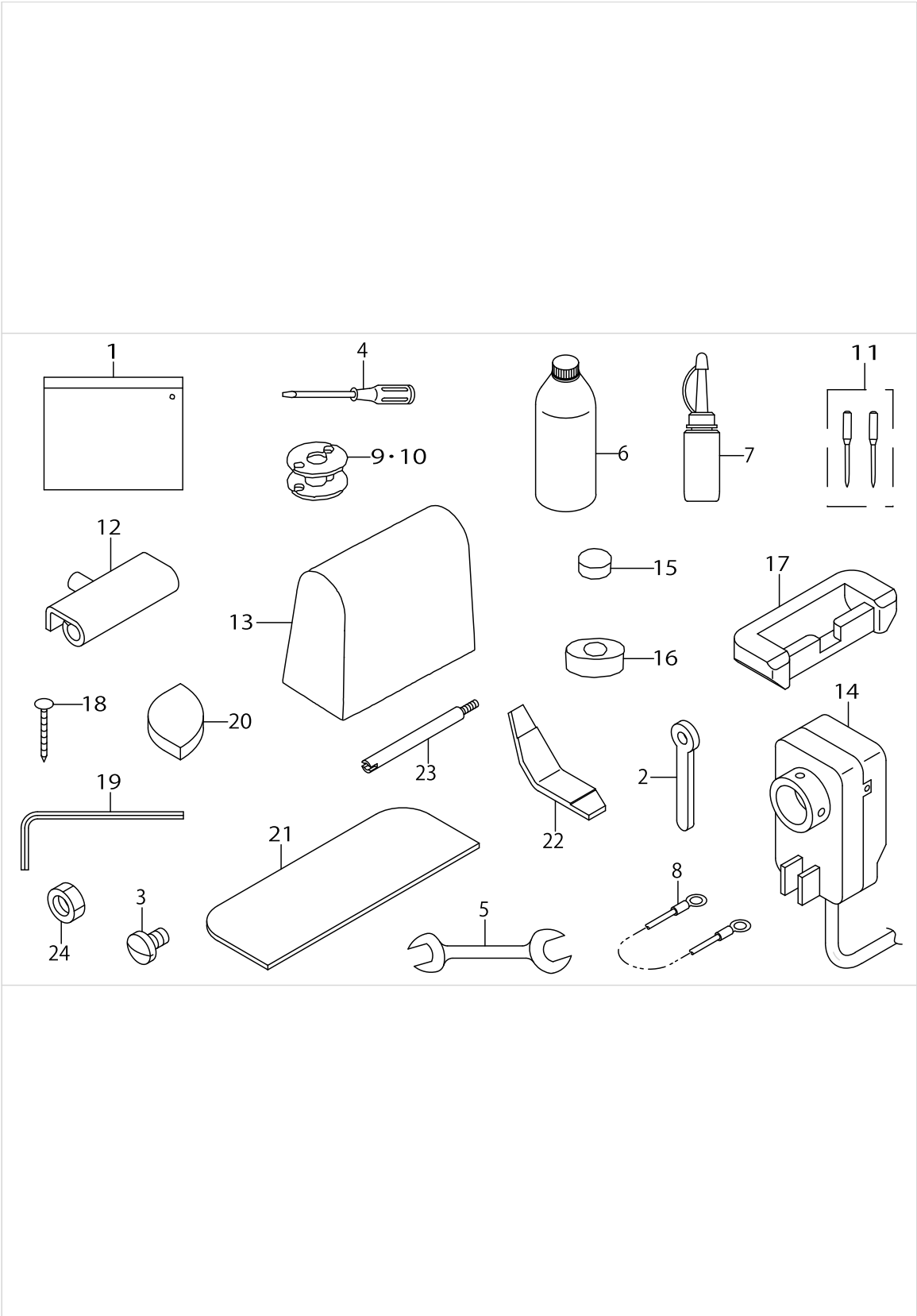
SUSPENSION SQUARE (OPTION) COMPONENTS



SUSPENSION SQUARE (OPTION) COMPONENTS

No.	Supply Code	Parts No.	Replacement	Parts name	Remarks	Choice	Step	Level	Cons	Qty	Rep. QTY
1		MAH152010A0		RULER						1	
2		WP0621016SD		WASHER 6.2X13X1						2	
3		WS0610002KN		SPRING WASHER 6.1X12.2X1.5						2	
4		SS7151610SP		SCREW15/64-28L=16						2	

ACCESSORIES PARTS COMPONENT

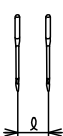


ACCESSORIES PARTS COMPONENT


No.	Supply Code	Parts No.	Replacement	Parts name	Remarks	Choice	Step	Level	Cons	Qty	Rep. QTY
1		21413158		ACCESSORY BAG ASM.						1	
2		B9109246000		DETECTOR SUPPORT PLATE	FOR LU-1560-7					1	
3		SS7110710SP		SCREW 11/64-40 L=7	FOR LU-1560-7					1	
4		22933006		SCREW DRIVER,LARGE						1	
5		B9113012000		WRENCH (9X10)						1	
6		MDFRX2700C0		NEW DEFRIX OIL NO.2(700CC)						1	
7		J1067000000		OILER						1	
8		10741759		GROUND WIRE ASM.	FOR LU-1560-7					1	
9		B9117563000		BOBBIN	FOR LU-1560					2	
10		21334800		ALUMINUM BOBBIN WITH KNURL	FOR LU-1560-7					2	
11	R	MC372001602	MC372001600	NEEDLE SY3355 #160-2						1	1.00
12	R	B8213125AA0	22958052	HINGE ASM.						2	1.00
13	R	10529808	22933303	COVER	EXCEPT JAPAN					1	1.00
14	D	MSCM80000A0		SYNCHRONIZERASM.	FOR LU-1560-7					1	
15		B8206012000		FELT CUSHION						4	
16		B8209012000		RUBBER CUSHION						4	
17		11075801		RUBBER SPACER						2	
18		B8210012000		CUSHION SET NAIL						8	
19		B9102057000		WRENCH (3/32)						1	
20		B8207012000		CUSHION (A)						4	
21		10742005		SPACER						2	
22	D	21364906		FIXED KNIFE GAUGE	FOR LU-1560-7					1	
23		D7101245E00		SYNCHRONIZER HOLDER STUD	FOR LU-1560-7					1	
24		NS6150430SP		NUT 15/64-28	FOR LU-1560-7					1	

TABLE OF EXCHANGING GAUGE PARTS

Common Parts
共通部品

Needle gauge size 針幅	Throat Plate 針板		Feed Dog 送り歯		Presser Foot asm. 押さえ足組		Presser Foot asm. (with Center guide) 押さえ足組 (センターガイド付)		Needle Clamp asm. 針留組	
	Ref.No	Part No.	Ref.No	Part No.	Ref.No	Part No.	Ref.No	Part No.	Ref.No	Part No.
										
(1/8)	1	213-68709	13	213-69400	25	213-70853			40	213-71554
(3/16)	2	213-66109	14	213-66604	26	213-67651			41	213-68154
(1/4)	3	213-66208	15	213-66703	27	213-67750			42	213-68253
(5/16)	4	213-66307	16	213-66802	28	213-67859	37	213-74657	43	213-68352
(3/8)	5	213-66406	17	213-66901	29	213-67958	38	213-74756	44	213-68451
(1/2)	6	213-66505	18	213-67008	30	213-68055	39	213-74855	45	213-68550
(5/8)	7	213-66808	19	213-69509	31	213-70952			46	213-71653
(3/4)	8	213-68907	20	213-69608	32	213-71059			47	213-71752
(7/8)	9	213-69004	21	213-69707	33	213-71158			48	213-71851
(1)	10	213-69103	22	213-69806	34	213-71257			49	213-71950
(1-1/8)	11	213-69202	23	213-69905	35	213-71356			50	213-72057
(1-1/4)	12	213-69301	24	213-70002	36	213-71455			51	213-72156

For LU-1560-7
LU-1560-7用

Needle gauge size 針幅	Feed Hoot asm. 送り足組		Bed Slide asm. (Left) 滑り板 (左)		Bed Slide asm. (Right) 滑り板 (右)	
	Ref.No	Part No.	Ref.No	Part No.	Ref.No	Part No.
						
(1/8)	52	213-70150	63	213-65606	66	213-65002
(3/16)	53	213-67156				
(1/4)	54	213-67255				
(5/16)	55	213-67354				
(3/8)	56	213-67453				
(1/2)	57	213-67552	64	213-65705	67	213-65101
(5/8)	58	213-70259				
(3/4)	59	213-70358				
(7/8)	60	213-70457	65	213-65804	68	213-65200
(1)	61	213-70556				
(1-1/8)	62	213-70655				

For LU-1560
LU-1560用


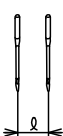
Needle gauge size 針幅	Feed Hoot asm. 送り足組		Feed Hoot asm. (Option) 送り足組 (オプション)	
	Ref.No	Part No.	Ref.No	Part No.
				
(1/8)	69	213-72255	81	213-73451
(3/16)	70	213-72354	82	213-73550
(1/4)	71	213-72453	83	213-73659
(5/16)	72	213-72552	84	213-73758
(3/8)	73	213-72651	85	213-73857
(1/2)	74	213-72750	86	213-73956
(5/8)	75	213-72859	87	213-74053
(3/4)	76	213-72958	88	213-74152
(7/8)	77	213-73055	89	213-74251
(1)	78	213-73154	90	213-74350
(1-1/8)	79	213-73253	91	213-74459
(1-1/4)	80	213-73352	92	213-74558

TABLE OF EXCHANGING GAUGE PARTS


No.	Supply Code	Parts No.	Replacement	Parts name	Remarks	Choice	Step	Level	Cons	Qty	Rep. QTY
1		21368709		NEEDLE PLATE 1/8						1	
2		21366109		NEEDLE PLATE 3/16						1	
3		21366208		NEEDLE PLATE 1/4						1	
4		21366307		NEEDLE PLATE 5/16						1	
5		21366406		NEEDLE PLATE 3/8						1	
6		21366505		NEEDLE PLATE 1/2						1	
7		21368808		NEEDLE PLATE 5/8						1	
8		21368907		NEEDLE PLATE 3/4						1	
9		21369004		NEEDLE PLATE 7/8						1	
10		21369103		NEEDLE PLATE 1						1	
11		21369202		NEEDLE PLATE 1-1/8						1	
12		21369301		NEEDLE PLATE 1-1/4	EXCLUSIVE LU-1560					1	
13		21369400		FEED DOG 1/8						1	
14		21366604		FEED DOG 3/16						1	
15		21366703		FEED DOG 1/4						1	
16		21366802		FEED DOG 5/16						1	
17		21366901		FEED DOG 3/8						1	
18		21367008		FEED DOG 1/2						1	
19		21369509		FEED DOG 5/8						1	
20		21369608		FEED DOG 3/4						1	
21		21369707		FEED DOG 7/8						1	
22		21369806		FEED DOG 1						1	
23		21369905		FEED DOG 1-1/8						1	
24		21370002		FEED DOG 1-1/4	EXCLUSIVE LU-1560					1	
25		21370853		PRESSER FOOT ASM. 1/8						1	
26		21367651		PRESSER FOOT ASM. 3/16						1	
27		21367750		PRESSER FOOT ASM. 1/4						1	
28		21367859		PRESSER FOOT ASM. 5/16						1	
29		21367958		PRESSER FOOT ASM. 3/8						1	
30		21368055		PRESSER FOOT ASM. 1/2						1	
31		21370952		PRESSER FOOT ASM. 5/8						1	
32		21371059		PRESSER FOOT ASM. 3/4						1	
33		21371158		PRESSER FOOT ASM. 7/8						1	
34		21371257		PRESSER FOOT ASM. 1						1	
35		21371356		PRESSER FOOT ASM. 1-1/8						1	
36		21371455		PRESSER FOOT ASM. 1-1/4	EXCLUSIVE LU-1560					1	
37		21374657		PRESSER FOOT 5/16 ASM.						1	
38		21374756		PRESSER FOOT 3/8 ASM.						1	
39		21374855		PRESSER FOOT 1/2 ASM.						1	
40		21371554		NEEDLE CLAMP 1/8 ASM.						1	
41		21368154		NEEDLE CLAMP 3/16 ASM.						1	
42		21368253		NEEDLE CLAMP 1/4 ASM.						1	
43		21368352		NEEDLE CLAMP 5/16 ASM.						1	
44		21368451		NEEDLE CLAMP 3/8 ASM.						1	
45		21368550		NEEDLE CLAMP 1/2 ASM.						1	
46		21371653		NEEDLE CLAMP 5/8 ASM.						1	

TABLE OF EXCHANGING GAUGE PARTS

Common Parts
共通部品

Needle gauge size 針幅	Throat Plate 針板		Feed Dog 送り歯		Presser Foot asm. 押さえ足組		Presser Foot asm. (with Center guide) 押さえ足組 (センターガイド付)		Needle Clamp asm. 針留組	
	Ref.No	Part No.	Ref.No	Part No.	Ref.No	Part No.	Ref.No	Part No.	Ref.No	Part No.
										
(1/8)	1	213-68709	13	213-69400	25	213-70853			40	213-71554
(3/16)	2	213-66109	14	213-66604	26	213-67651			41	213-68154
(1/4)	3	213-66208	15	213-66703	27	213-67750			42	213-68253
(5/16)	4	213-66307	16	213-66802	28	213-67859	37	213-74657	43	213-68352
(3/8)	5	213-66406	17	213-66901	29	213-67958	38	213-74756	44	213-68451
(1/2)	6	213-66505	18	213-67008	30	213-68055	39	213-74855	45	213-68550
(5/8)	7	213-66808	19	213-69509	31	213-70952			46	213-71653
(3/4)	8	213-68907	20	213-69608	32	213-71059			47	213-71752
(7/8)	9	213-69004	21	213-69707	33	213-71158			48	213-71851
(1)	10	213-69103	22	213-69806	34	213-71257			49	213-71950
(1-1/8)	11	213-69202	23	213-69905	35	213-71356			50	213-72057
(1-1/4)	12	213-69301	24	213-70002	36	213-71455			51	213-72156

For LU-1560-7
LU-1560-7用

Needle gauge size 針幅	Feed Hoot asm. 送り足組		Bed Slide asm. (Left) 滑り板 (左)		Bed Slide asm. (Right) 滑り板 (右)	
	Ref.No	Part No.	Ref.No	Part No.	Ref.No	Part No.
						
(1/8)	52	213-70150	63	213-65606	66	213-65002
(3/16)	53	213-67156				
(1/4)	54	213-67255				
(5/16)	55	213-67354				
(3/8)	56	213-67453				
(1/2)	57	213-67552	64	213-65705	67	213-65101
(5/8)	58	213-70259				
(3/4)	59	213-70358				
(7/8)	60	213-70457	65	213-65804	68	213-65200
(1)	61	213-70556				
(1-1/8)	62	213-70655				

For LU-1560
LU-1560用


Needle gauge size 針幅	Feed Hoot asm. 送り足組		Feed Hoot asm. (Option) 送り足組 (オプション)	
	Ref.No	Part No.	Ref.No	Part No.
				
(1/8)	69	213-72255	81	213-73451
(3/16)	70	213-72354	82	213-73550
(1/4)	71	213-72453	83	213-73659
(5/16)	72	213-72552	84	213-73758
(3/8)	73	213-72651	85	213-73857
(1/2)	74	213-72750	86	213-73956
(5/8)	75	213-72859	87	213-74053
(3/4)	76	213-72958	88	213-74152
(7/8)	77	213-73055	89	213-74251
(1)	78	213-73154	90	213-74350
(1-1/8)	79	213-73253	91	213-74459
(1-1/4)	80	213-73352	92	213-74558

TABLE OF EXCHANGING GAUGE PARTS

No.	Supply Code	Parts No.	Replacement	Parts name	Remarks	Choice	Step	Level	Cons	Qty	Rep. QTY
47		21371752		NEEDLE CLAMP 3/4 ASM.						1	
48		21371851		NEEDLE CLAMP 7/8 ASM.						1	
49		21371950		NEEDLE CLAMP 1 ASM.						1	
50		21372057		NEEDLE CLAMP 1-1/8 ASM.						1	
51		21372156		NEEDLE CLAMP 1-1/4 ASM.	EXCLUSIVE LU-1560					1	
52		21370150		WALKING FOOT 1/8 ASM.						1	
53		21367156		WALKING FOOT 3/16 ASM.						1	
54		21367255		WALKING FOOT 1/4 ASM.						1	
55		21367354		WALKING FOOT 5/16 ASM.						1	
56		21367453		WALKING FOOT 3/8 ASM.						1	
57		21367552		WALKING FOOT 1/2 ASM.						1	
58		21370259		WALKING FOOT 5/8 ASM.						1	
59		21370358		WALKING FOOT 3/4 ASM.						1	
60		21370457		WALKING FOOT 7/8 ASM.						1	
61		21370556		WALKING FOOT 1 ASM.						1	
62		21370655		WALKING FOOT 1-1/8 ASM.						1	
63		21365606		BED SLIDE(LEFT) A						1	
64		21365705		BED SLIDE(LEFT) B						1	
65		21365804		BED SLIDE(LEFT) C						1	
66		21365002		BED SLIDE(RIGHT) A						1	
67		21365101		BED SLIDE(RIGHT) B						1	
68		21365200		BED SLIDE(RIGHT) C						1	
69		21372255		WALKING FOOT 1/8 ASM.						1	
70		21372354		WALKING FOOT 3/16 ASM.						1	
71		21372453		WALKING FOOT 1/4 ASM.						1	
72		21372552		WALKING FOOT 5/16 ASM.						1	
73		21372651		WALKING FOOT 3/8 ASM.						1	
74		21372750		WALKING FOOT 1/2 ASM.						1	
75		21372859		WALKING FOOT 5/8 ASM.						1	
76		21372958		WALKING FOOT 3/4 ASM.						1	
77		21373055		WALKING FOOT 7/8 ASM.						1	
78		21373154		WALKING FOOT 1 ASM.						1	
79		21373253		WALKING FOOT 1-1/8 ASM.						1	
80		21373352		WALKING FOOT 1-1/4 ASM.						1	
81		21373451		WALKING FOOT 1/8 ASM.						1	
82		21373550		WALKING FOOT ASM. 3/16						1	
83		21373659		WALKING FOOT 1/4 ASM.						1	
84		21373758		WALKING FOOT ASM. 5/16						1	
85		21373857		WALKING FOOT 3/8 ASM.						1	
86		21373956		WALKING FOOT ASM. 1/2						1	
87		21374053		WALKING FOOT 5/8 ASM.						1	
88		21374152		WALKING FOOT 3/4 ASM.						1	
89	D	21374251		WALKING FOOT 7/8 ASM.						1	
90		21374350		WALKING FOOT 1 ASM.						1	
91		21374459		WALKING FOOT 1-1/8 ASM.						1	
92		21374558		WALKING FOOT 1-1/4 ASM.						1	

HOW TO MAKE USE OF THIS PARTS LIST

1.Explanation of codes

1)"*"mark.....means this part is changed from the previous parts book.

As to the details of the change, refer to the "List for information of change".

2)"#01".....refer to "Note" explanation at bottom of page.

2.Codes on the "Qty" column

- Each numeral indicates the number of parts required.
- "0.1" and "2.5" indicate the length (in meters) of the respective parts.

3.Parentheses mean that the corresponding part is a subpart that constructs an assembly part.

4.Dotted lines on the Figures indicate assembly parts.

1."注記"欄の記号説明

1) "*"印.....前回のパーツブックに比較して今回変更された部品を意味します。

変更内容は、"変更情報リスト"を参照してください。

2) "#01".....ページ下の"注記"の説明を参照してください。

2.数量欄の数字は、個数を表し、0.1、2.5等の数値は、長さ（単位メートル）を表します。

3.数量欄の（ ）は、組部品を構成している子部品であることを意味します。

4.イラストページの-----枠は、組構成であることを意味します。

NUMERICAL INDEX OF PARTS

PART NO	PAGE	REF NO.	PART NO	PAGE	REF NO.	PART NO	PAGE	REF NO.
10004109	4	50	10718203	18	69	21331905	4	54
10107902	22	3	10726404	26	12	21332002	2	13
10109700	14	57~63	10726909	26	13	21332101	4	55
10109809	14	57~63	10727204	44	25	21332200	4	51
10109908	12	25	10727303	44	24	21332309	2	16
10110906	14	57~63	10739209	44	36	21332507	6	12
10111003	14	57~63	10741759	56	8	21332705	6	1
10111102	12	20·21	10742005	56	21	21332804	6	29·61
10111201	14	57~63	10748101	44	11	21333000	6	2
10112407	12	26	10753002	44	26	21333109	6	17
10112506	14	57~63	10755205	44	15	21333406	8	58
10112605	14	57~63	10755254	44	14	21333505	6	31
10112704	12	20·21	10774305	18	58	21333703	6	22·60
10116804	26	27	10774354	18	57	21333802	6	44·45
10120004	46	20	10774404	18	59	21333901	8	22·60
10124204	48	12	11006509	18	49	21334008	8	29·61
10124204	50	12	11009909	24	44	21334552	12	32·33
10124303	48	16	11052701	24	46	21334701	12	24
10124303	50	16	11072204	50	21	21334800	12	34·35
10124501	48	5	11072402	36	30	21334800	56	9·10
10124501	50	5	11072402	48	15	21334909	12	5·6
10126803	32	59	11072402	50	15	21335104	12	3
10201200	4	58	11075801	56	17	21335203	12	1
10205201	22	20	11100500	46	21	21335500	12	10·11
10321107	48	1·39·40	11185105	40	14	21335708	12	12·13
10321107	50	1·36·37	11185204	40	6	21335807	12	16·17
10355055	50	6	11185501	40	10	21336300	24	56
10502300	36	21	11956802	48	21	21336508	6	20
10503605	6	38	11966504	40	13	21336557	6	19
10509701	16	22	11969508	40	15	21336607	24	49
10529808	56	13	13514310	16	29	21336656	24	48
10618304	36	8	13515606	46	19	21336706	24	53
10704807	36	19	13765607	30	42	21336805	24	41
10704906	6	27	14512503	36	17	21337209	22	38
10713501	18	75	17912106	2	26	21337308	22	33
10713766	18	81	21006002	42	5	21337407	22	26
10713808	18	83	21006408	42	3	21337506	22	23
10714202	18	70	21006507	42	1	21337605	22	35
10714509	18	84	21048707	20	88	21337704	22	24
10714608	18	85	21331202	2	11	21337803	20	92
10715001	18	61	21331301	2	4	21337803	22	27
10715100	18	60	21331558	2	1	21337902	22	31
10715308	18	66	21331608	2	18	21338009	22	36
10715704	18	62	21331756	2	8	21338207	24	54
10716504	18	76	21331806	2	12	21338306	22	29

NUMERICAL INDEX OF PARTS

PART NO	PAGE	REF NO.	PART NO	PAGE	REF NO.	PART NO	PAGE	REF NO.
21338603	10	18	21343702	34	6	21353008	8	56
21338702	10	16	21343801	34	7	21353602	28	51
21338801	10	20	21345103	30	34	21353701	26	24
21338900	10	22	21345202	30	36	21353750	26	23
21339007	10	28	21345301	44	27	21353800	26	31
21339056	10	27	21345350	44	23	21353859	26	28
21339106	6	7	21345509	44	34	21353909	26	29
21339205	10	26	21345608	30	25	21354006	26	26
21339304	10	25	21345657	30	23	21354105	26	37
21339403	10	2	21345707	30	2	21354204	26	42
21339502	6	15	21345756	30	1	21354402	26	45
21339601	18	71	21345806	30	3	21354501	26	21
21339700	18	73	21345905	30	4	21354600	28	55
21339809	18	79	21346002	30	18	21354709	28	58
21339908	16	12	21346101	30	29	21354808	26	5
21340005	18	87	21346200	30	30	21354857	26	4
21340104	16	31	21346309	30	6	21354907	26	18
21340203	16	36	21346358	30	5	21355102	28	54
21340302	20	90	21346408	30	8	21355706	36	24
21340401	16	1	21346507	30	7	21355755	36	23
21340500	16	2	21346606	30	32	21355805	2	20
21340708	30	11	21346705	44	33	21355904	2	6
21340807	16	19	21346804	44	28	21356001	36	6
21340906	20	97	21346903	44	32	21356308	38	11
21341003	16	41	21347000	30	14	21356407	38	12
21341052	16	40	21347109	16	13	21356506	38	3
21341151	18	46	21347208	30	16	21356605	38	6
21341300	16	28	21347406	10	30	21356704	38	9
21341508	18	68	21348206	48	1-39-40	21356803	38	7
21341607	18	65	21348206	50	1-36-37	21357561	20	94
21341904	16	4	21348503	46	7	21357959	36	3
21342407	42	4	21348602	46	5	21357967	36	1
21342506	34	4	21348701	46	9	21361407	4	63
21342555	34	3	21348800	46	24	21361704	12	36
21342605	34	5	21348859	46	23	21362108	12	2-4
21342704	34	9	21348909	2	41	21362207	12	2-4
21342803	34	13	21348958	46	1	21362504	10	1
21342902	34	17	21349006	46	37	21363106	48	35
21343009	34	11	21349055	46	31	21363304	26	1
21343108	34	32	21349105	46	39	21363403	26	11
21343157	34	30	21351002	44	19	21363452	26	10
21343207	34	1	21351101	44	18	21363502	28	47
21343355	34	21	21351150	44	17	21363601	26	41
21343405	34	19	21351200	44	20	21364104	22	10
21343504	18	48	21351457	44	1	21364203	22	2

NUMERICAL INDEX OF PARTS

PART NO	PAGE	REF NO.	PART NO	PAGE	REF NO.	PART NO	PAGE	REF NO.
21364252	22	1	21369202	58	11	21373758	60	84
21364906	56	22	21369301	58	12	21373857	60	85
21365002	2	42	21369400	58	13	21373956	60	86
21365002	60	66	21369509	58	19	21374053	60	87
21365101	60	67	21369608	58	20	21374152	60	88
21365200	60	68	21369707	58	21	21374251	60	89
21365606	2	40	21369806	58	22	21374350	60	90
21365606	60	63	21369905	58	23	21374459	60	91
21365705	60	64	21370002	58	24	21374558	60	92
21365804	60	65	21370150	60	52	21374657	58	37
21366109	58	2	21370259	60	58	21374756	58	38
21366208	58	3	21370358	60	59	21374855	58	39
21366307	58	4	21370457	60	60	21377957	48	6
21366406	2	36	21370556	60	61	21377973	48	3
21366406	58	5	21370655	60	62	21378005	48	7
21366505	58	6	21370853	58	25	21378104	12	41·42
21366604	58	14	21370952	58	31	21378302	16	5
21366703	58	15	21371059	58	32	21378302	22	13
21366802	58	16	21371158	58	33	21378401	12	22·23
21366901	24	42	21371257	58	34	21378500	12	22·23
21366901	58	17	21371356	58	35	21378708	36	29
21367008	58	18	21371455	58	36	21408505	2	25
21367156	60	53	21371554	58	40	21408554	2	24
21367255	60	54	21371653	58	46	21413158	56	1
21367354	60	55	21371752	60	47	22537658	36	2
21367453	18	51·52	21371851	60	48	22538151	36	4
21367453	60	56	21371950	60	49	22538706	36	32
21367552	60	57	21372057	60	50	22602601	4	62
21367651	58	26	21372156	60	51	22604300	6	25
21367750	58	27	21372255	60	69	22604904	6	23
21367859	58	28	21372354	60	70	22609309	22	15
21367958	18	55	21372453	60	71	22609408	22	12
21367958	58	29	21372552	60	72	22609804	12	41·42
21368055	58	30	21372651	18	51·52	22610505	24	62
21368154	58	41	21372651	60	73	22611602	8	52
21368253	58	42	21372750	60	74	22611651	8	51
21368352	58	43	21372859	60	75	22611701	14	54
21368451	10	11	21372958	60	76	22611909	14	52
21368451	58	44	21373055	60	77	22617609	48	27
21368550	58	45	21373154	60	78	22617708	48	33
21368709	58	1	21373253	60	79	22617906	48	18
21368808	58	7	21373352	60	80	22618201	48	10
21368907	58	8	21373451	60	81	22618300	48	9
21369004	58	9	21373550	60	82	22619100	4	57
21369103	58	10	21373659	60	83	22620504	32	61

NUMERICAL INDEX OF PARTS

PART NO	PAGE	REF NO.	PART NO	PAGE	REF NO.	PART NO	PAGE	REF NO.
22620801	28	63	B1307055000	6	34	B1907057000	6	5
22650055	2	43	B1308055000	6	35	B3016141H00	16	15
22651202	2	30	B1309055000	6	36	B3120125000	48	20
22656003	46	17	B1310055000	6	37	B3120125000	50	20
22656102	46	15	B1312563000A	6	44·45	B3125012000	48	34
22814909	10	34	B1313055000	8	48	B3125012000	50	34
22814909	16	11	B1314055000	6	39	B3125527000	50	33
22814909	24	64	B1401518000	10	7	B3126012000	48	17
22863203	34	24	B1410771000	10	24	B3126051000	50	17
22863252	34	23	B1411521000	10	8	B3127051000	50	10
22877609	4	52	B1412051000	10	10	B3127527000	50	9
22904106	16	7	B1412051000	30	19	B3128051000	48	4
22904106	22	18	B1414232000	10	23	B3128051000	50	4
22904155	16	6	B1414555000	16	21	B3128527000	48	26
22904155	22	17	B1418761000	24	50	B3128527000	50	26
22912109	24	47	B1437051000	10	33	B3129053000	48	19
22932404	34	28	B1462053000	18	47	B3129053000	50	19
22932453	34	27	B1465053000	16	23	B3132051000	50	18
22933006	56	4	B1466563000	16	24	B3134521000	50	7
22934202	34	35	B14670530A0	16	25	B31375270A0	48	23
22934301	34	36	B1467563000	10	14	B31375270A0	50	23
22934400	34	34	B1468053000	16	26	B3138512000	2	32
22934509	34	33	B1501241H00	16	39	B3138527000	48	30
22934707	34	29	B1502246000	16	44	B3138527000	50	30
23006406	48	1·39·40	B1511555000	16	43	B3139527000	48	25
23006406	50	1·36·37	B1515051000	28	50	B3139527000	50	25
23022353	50	3	B152652700G	18	63	B3140527000	50	27
23105554	52	1	B152989000CA	36	7	B3141527000	48	32
23208507	4	68	B1604012000A	22	7	B3141527000	50	32
23208556	4	67	B1610512000	22	39	B3142527000	48	24
23208606	4	69	B1639051000	8	47	B3142527000	50	24
23630007	32	57	B18025120A0A	12	37	B3143527000	48	22
23636202	36	5	B18035150A0	12	39	B3143527000	50	22
A321600100A	36	9	B1816051000	14	48	B3205210000	36	10
A407855000A	32	69	B1817051000	14	45	B3214047000	36	28
B1104051000	2	44	B1820563000	12	5·6	B3214047000	48	13
B1111563000	2	34	B1821051000	12	7	B3214047000	50	13
B1129051000	2	22	B1822563000	12	10·11	B3305704000A	40	7
B1132521000	2	27	B1823051000	12	12·13	B33097040A0	40	24
B1148555000	36	11	B1824563000	12	16·17	B3311012000	40	12
B1203512000	6	26	B18305630A0	12	32·33	B3311704000	40	5
B1210051000	6	10	B1834512000A	12	30	B3317704000	40	16
B1214019000	6	32	B185351200CA	10	3	B3318704L00A	40	4
B1214038000	30	44	B1905520000	6	3	B3319704L00	40	2
B1305055000A	6	33	B1906051000	6	4	B3320704L00A	40	11

NUMERICAL INDEX OF PARTS

PART NO	PAGE	REF NO.	PART NO	PAGE	REF NO.	PART NO	PAGE	REF NO.
B3321704L00	40	18	D1455055B00	16	33	HX00123000A	4	65
B3416552000	18	77	D1456055B00	16	32	HX00123000A	52	36
B3428521000	34	25	D1680141EA0	46	32	HX002950000	38	15
B3520586000	30	24	D2112555B00	2	10	HX002950000	52	20
B3524552000	30	45	D2427555B00B	26	32	HX00295000A	38	16
B3534155000	30	43	D2430555B00	26	30	HX00295000A	52	21
B3538112000	30	40	D3162555B00	36	25	J1067000000	56	7
B8111220000	44	6	D3168555H0B	36	27	MAH152010A0	54	1
B8112220000	44	7	D3168555H0B	48	14	MAO11532000	40	19
B8202205000	44	5	D3168555H0B	50	14	MAT80230T00	38	22
B8206012000	56	15	D3301772TAB	40	1	MAT80231T00	38	21
B8207012000	56	20	D7101245E00	56	23	MAT81126T00	46	33
B8209012000	56	16	D8232241E00	44	21	MC372001600	10	13
B8210012000	56	18	EA9500B0000	16	14	MC372001602	56	11
B8213125AA0	56	12	EA9500B0000	30	66-67	MDFRX2700C0	56	6
B8228125000	44	35	EA9500B0000	32	66-67	MSCM80000A0	56	14
B9102057000	56	19	EA9500B0000	46	36	NM6030001SC	44	10
B9109246000	56	2	EA9500B0100	10	31	NM6050001SD	34	16
B9113012000	56	5	EA9500B0100	18	54	NM6050001SE	40	21
B9117563000	12	34-35	EA9500B0100	28	62	NM6060001SE	40	22
B9117563000	56	9-10	EA9500B0100	32	68	NM6060003SC	46	6
B9121012000	44	8	EA9500B0100	46	29	NM6080001SE	38	4
BT0500300EA	32	63	EA9500B0100	52	42	NM9050001SC	44	30
BT0600401EB	52	33	GAK29007000	52	25	NS6080210SP	24	65
BT0600402EA	30	20	GAK29009000	52	3	NS6110310SP	36	26
CM300200001	4	48-49	GAK29010000	52	26	NS6110310SP	48	11
CM300200001	38	17-18	GAK29011000	52	27	NS6110310SP	50	11
CM3002000B1	4	48-49	GAK29015000	52	28	NS6110420SP	12	31
CM3002000B1	38	17-18	GAK29016000	52	29	NS6110530SP	16	35
CM300200101	4	46-47	GAKA1401000	52	22	NS6110530SP	42	2
CM3002001A1	4	46-47	GAKA14020A0	52	23	NS6150430SP	46	14
CQ202000000	6	18	GAKA14030A0	52	24	NS6150430SP	56	24
CQ202000000	10	32	GAKA14040B0	38	20	NS6680320SP	22	22
CQ202000000	12	15	GAKA14040D0	38	19	PA320150200	46	2
CQ202000000	22	51	GAKA17010A0	52	18	PA400150100	38	1
CQ202000000	24	51	GAKA17040A0	52	19	PJ301065104	46	11
CQ202000000	30	60	GAKA17050A0	52	35	PJ304065102	38	10
CQ202000000	32	60	GBC02621000	16	38	PJ309065202	52	37
CQ303000000	6	8	GHP03511000	52	34	PS0500202KP	32	58
CQ505000000	6	11	GPK58005000	20	96	PS0600502KP	48	2
CS0700811SH	26	34	HK034610140	28	61	PS0600502KP	50	2
CS070081BSH	26	33	HK034610140	46	35	PX015101000	46	12
CS0790731SH	26	19	HK03464000B	28	60	RC0560711KP	36	12
CS1201010SH	24	58	HK03464000B	46	34	RE0500000K0	6	46
CS1201011SH	24	59	HX001230000	52	13	RE0500000K0	18	78

NUMERICAL INDEX OF PARTS

PART NO	PAGE	REF NO.	PART NO	PAGE	REF NO.	PART NO	PAGE	REF NO.
RE050000K0	36	13	SM6051002TP	38	8	SS6110480SP	30	10
RE0500711KP	22	8	SM6051402TP	18	67	SS6110480SP	48	38
RE080000K0	20	89	SM6051602TP	34	14	SS6110610TP	46	38
RE080000K0	34	10	SM6052002TP	20	91	SS6110630TP	18	64
RE090000K0	24	61	SM6061202TP	34	2	SS6110710TP	18	53
RO092270200	24	45	SM6061602TP	46	3	SS6110710TP	28	59
RO092270200	36	14	SM6061610SC	40	3	SS6110810TP	36	18
SB120000200	8	54	SM6061802TP	24	40	SS6111010SP	30	28
SD0380551SL	2	28	SM6062502TP	34	22	SS6111140SP	4	70
SD0470281SP	48	8	SM6082002TP	38	2	SS6111140SP	26	43
SD0470281SP	50	8	SM6082502TP	12	29	SS6111610SP	22	37
SD0640322TP	6	42	SM8050502TP	22	6	SS6120930TP	24	63
SD0640325SP	26	39	SM8050602TP	18	86	SS6121610TP	22	16
SD0640451TP	28	49	SM8050602TP	36	20	SS6121610TP	26	48
SD0640482SP	28	53	SM8050612TP	24	52	SS6121610TP	28	48
SD0640701SP	16	16	SM8052502TP	34	15	SS6121860SP	24	43
SD0640751SP	26	44	SM8060602TP	6	28	SS6151040SP	28	56
SD0700451TP	34	20	SM8080802TP	10	21	SS6151040SP	38	14
SD0720331SP	38	5	SM8080812TP	6	14	SS6151210SP	4	72
SD0800352SP	46	10	SM9061203SE	34	31	SS6151220SP	38	23
SD0800402TP	22	34	SM9062250SC	16	37	SS6151440SP	44	2
SD0800402TP	46	13	SQ1110401MZ	14	51	SS6151780SP	16	27
SD0800481SP	16	45	SQ1110401MZ	30	39	SS6151920SP	16	30
SD0900701TP	22	21	SQ11150451MZ	30	38	SS6152440SP	10	29
SD1000801SH	24	55	SS2090710TP	2	31	SS6153040SP	12	27
SK3241601SC	44	13	SS2110920TP	2	37	SS6153040SP	44	22
SK3382001SE	40	23	SS3090610SP	30	17	SS6580752TP	24	57
SK3482500SC	44	16	SS4110515SP	2	35	SS6661110SP	6	40
SK3482500SC	52	41	SS4110615SP	30	41	SS7060610SP	26	15
SK3514000SC	38	13	SS4110815SP	2	73	SS7090510SP	34	26
SL4030691SC	52	38	SS4110815SP	4	73	SS7090510SP	48	31
SL4040881SC	20	95	SS4110815SP	30	46	SS7090520SP	50	31
SM1050801SR	18	72	SS4111215SP	2	2	SS7090520TP	2	33
SM2041001SB	32	64	SS4120615SP	46	18	SS7090610SP	22	30
SM3031401SE	44	9	SS4150915SP	30	37	SS7090910SP	10	9
SM4032501SB	52	15	SS5090610SP	2	21	SS7090910TP	22	32
SM4034001SN	52	39	SS5110740TP	44	4	SS7091410SP	36	15
SM4051405SE	40	9	SS6081810SP	24	66	SS7110510SP	16	20
SM4061001SB	52	40	SS6090410TP	10	12	SS7110510SP	30	12
SM4061201SE	40	20	SS6090520SP	36	16	SS7110570SP	48	36
SM6021000TP	44	29	SS6090620SP	36	22	SS7110710SP	8	57
SM6030802TP	26	2	SS6090630SP	2	38	SS7110710SP	56	3
SM6040800SP	36	31	SS6090810SP	12	19	SS7110830SP	10	17
SM6040802TP	28	57	SS6090910TP	18	50	SS7110830SP	18	80
SM6041202TP	26	16	SS6091022TP	10	19	SS7110830SP	30	33

NUMERICAL INDEX OF PARTS

PART NO	PAGE	REF NO.	PART NO	PAGE	REF NO.
SS7110840SP	44	3	SS8660610TP	16	8
SS7110840SP	46	30	SS8660610TP	22	60
SS7110910SP	48	37	SS8660610TP	24	60
SS7110910TP	10	15	SS8660612TP	16	3
SS7110910TP	16	42	SS8660612TP	28	52
SS7110910TP	22	25	SS8660670SP	14	46
SS7110910TP	50	35	SS8660810TP	6	21
SS7111120SP	26	22	SS8660810TP	14	49
SS7111120TP	18	74	SS8660810TP	18	82
SS7111410SP	22	11	SS8661030SP	8	53
SS7111410SP	38	24	SS9151440CP	22	4
SS7111810SP	46	22	TA0370601M0	10	6
SS7111810TP	12	14	TA0550604R0	4	59
SS7111810TP	28	64	TA0550604R0	16	10
SS7120760SP	8	55	TA0800704R0	44	31
SS7120760SP	30	31	TA1050504R0	2	64
SS7120760SP	46	16	TA1050504R0	4	64
SS7150910TP	2	19	TA1250406R0	2	3
SS7151210SP	46	8	TA1250504R0	2	15
SS7151610SP	26	36	TA1450404R0	2	9
SS7151610SP	54	4	TA1750502R0	14	50
SS7621040SP	2	7	WP0320501SC	26	3
SS8080410TP	48	28	WP0320501SC	44	12
SS8080410TP	50	28	WP0371016SD	12	18
SS8080610SP	48	29	WP0430800SC	26	17
SS8080610SP	50	29	WP0450801SD	32	62
SS8090410TP	2	39	WP0482086SD	16	34
SS8090540SP	6	43	WP0501016SD	46	40
SS8110422TP	14	55	WP0501046SC	16	18
SS8110422TP	26	20	WP0621016SD	22	5
SS8110510SP	26	35	WP0621016SD	54	2
SS8150510TP	12	43-44	WP0641601SD	46	4
SS8150710SP	16	93	WP0850002SP	12	28
SS8150710SP	20	93	WP1612616SE	40	17
SS8150710TP	8	49-50	WS0610002KN	54	3
SS8150822TP	6	30	WT0530002KS	4	61
SS8150822TP	22	28			
SS8151150SP	14	56			
SS8151150TP	10	5			
SS8151150TP	12	40			
SS8151150TP	22	14			
SS8151550SP	8	59			
SS8660530TP	8	49-50			
SS8660530TP	12	53			
SS8660530TP	14	53			