

MODEL : LU-1510,1510-7

List No : 1277-03

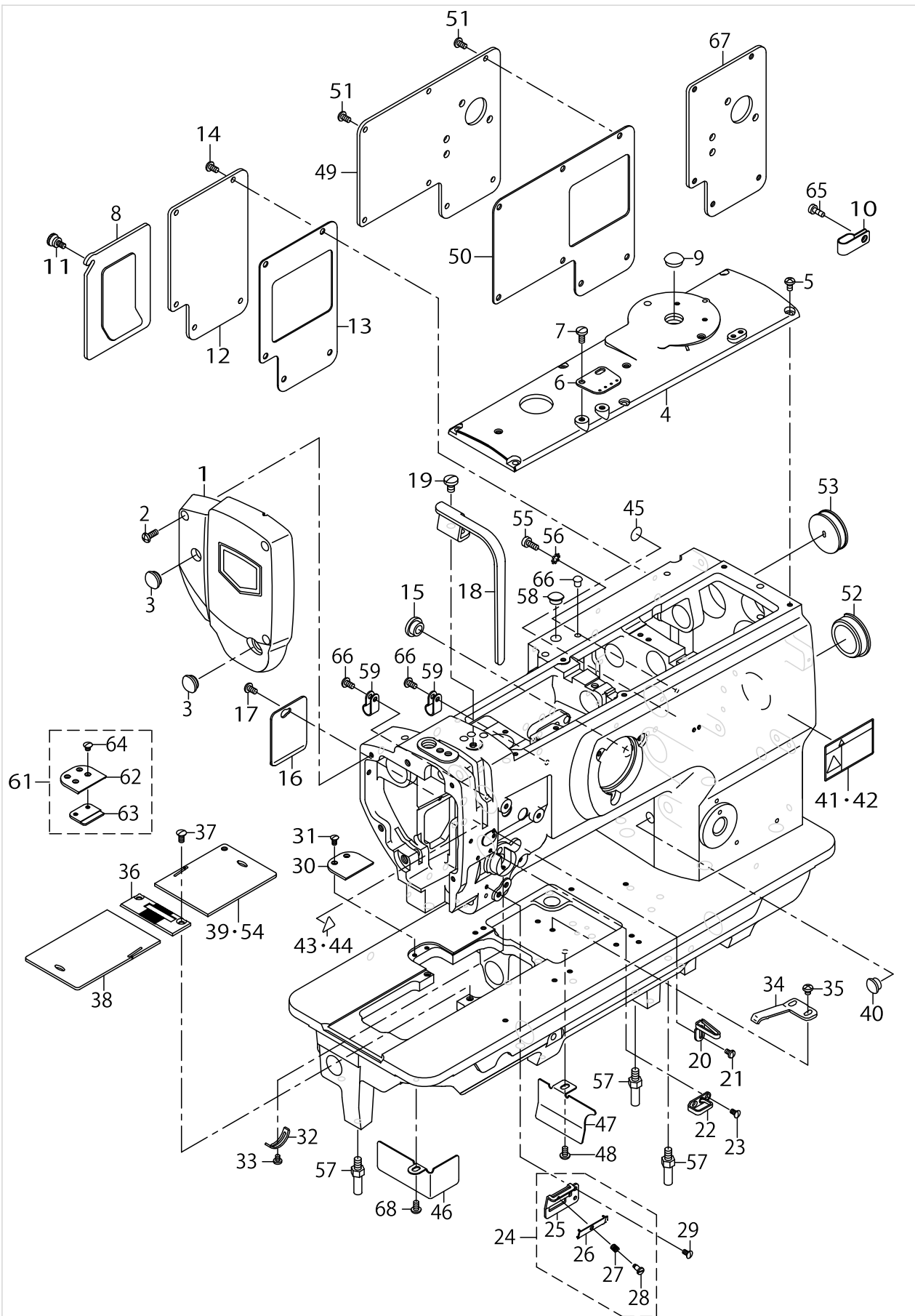
PARTS LIST

Published:05/12/2017

CONTENTS

FRAME & MISCELLANEOUS COVER COMPONENTS	1
UPPER SHAFT,LOWER SHAFT DRIVING & BALANCE COMPONENTS	5
NEEDLE BAR ROCKING COMPONENTS	9
PRESSURE ADJUSTING & UPPER FEED MECHANISM COMPONENTS.....	11
FEED MECHANISM COMPONENTS.....	17
HOOK SHAFT & LOWER SHAFT COMPONENTS	21
THREAD CUTTING COMPONENTS (FOR LU-1510-7).....	25
AUTOMATIC BACK COMPONENTS (FOR LU-1510-7)	29
THREAD TENSION COMPONENTS (FOR 1510-7).....	31
THREAD TENSION COMPONENTS (FOR LU-1510).....	33
KNEE LIFTING COMPONENTS	35
LOWER THREAD WINDER MECHANISM COMPONENTS	37
AUTOMATIC PRESSER LIFTING MECHANISM (OPTION) COMPONENTS.....	39
AIR MECHANISM COMPONENTS (FOR LU-1510-7)	41
LUBRICATION COMPONENTS	43
BELT COVER & OIL RESERVOIR COMPONENTS.....	47
THREAD STAND COMPONENTS.....	49
OPTIONAL PARTS (ADDITIONAL SPRING FOR PRESSER BAR) COMPONENTS.....	51
SUSPENSION SQUARE (OPTION) COMPONENTS.....	53
ACCESSORIES PARTS COMPONENTS	55
OPTIONAL PARTS COMPONENTS (1).....	57
OPTIONAL PARTS COMPONENTS (2).....	59
LIST FOR INFORMATION OF CHANGE.....	61
HOW TO MAKE USE OF THIS PARTS LIST	62

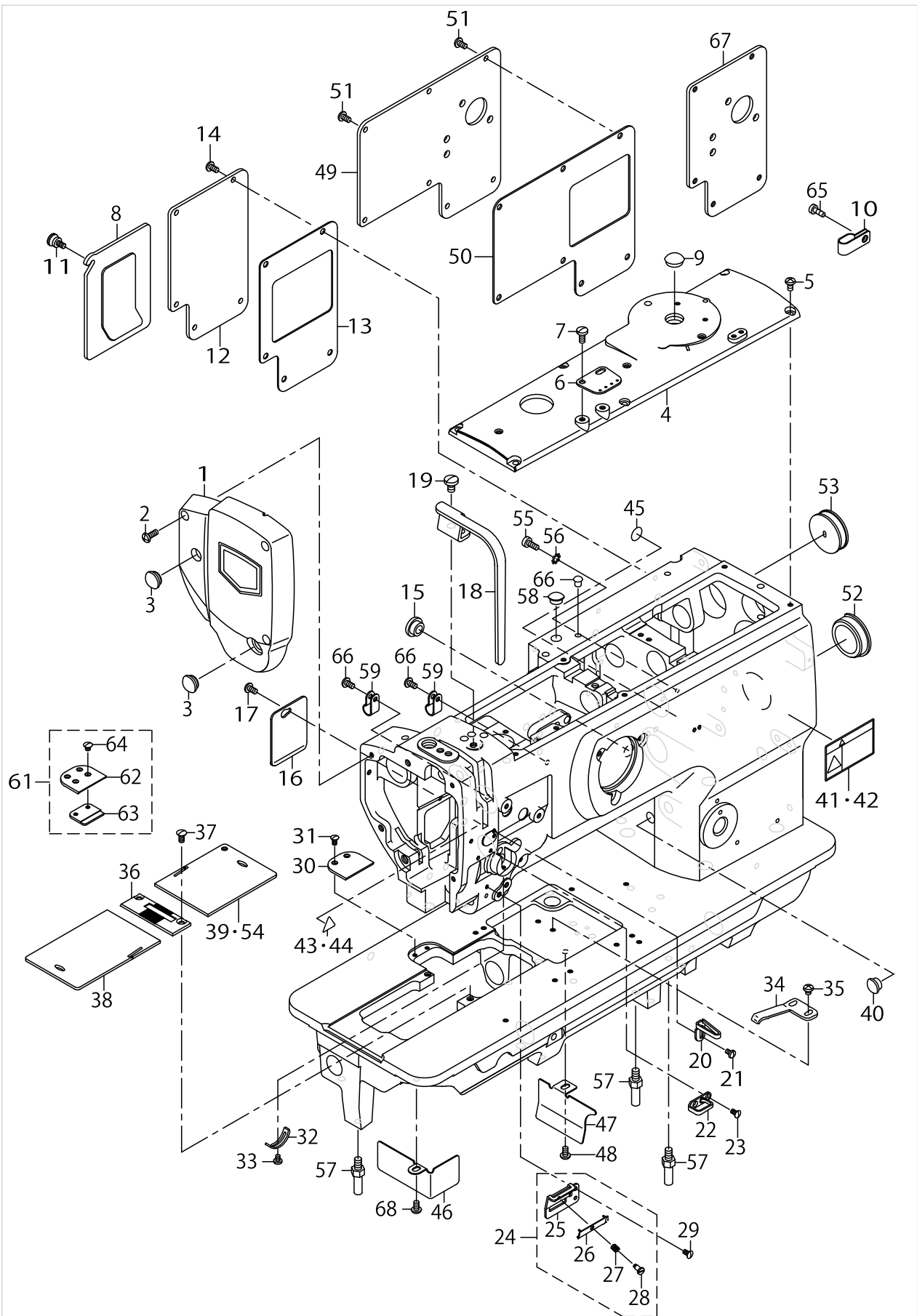
FRAME & MISCELLANEOUS COVER COMPONENTS



FRAME & MISCELLANEOUS COVER COMPONENTS

No.	Supply Code	Parts No.	Replacement	Parts name	Remarks	Choice	Step	Level	Cons	Qty	Rep. QTY
1		21331558		FACE PLATE ASM.						1	
2		SS4111215SP		SCREW11/64-40L=12						3	
3		TA1250406R0		RUBBER PLUG D=12.5 L=4						2	
4		21331301		TOP COVER B						1	
5		SS4110815SP		SCREW 11/64-40 L=8						6	
6		21355904		ARM THREAD GUIDE						1	
7		SS7621040SP		SCREW 3/16-32L=9.5						2	
8		21331756		WINDOW PLATE A ASM.	FOR LU-1510					1	
9		TA1450404R0		RUBBER PLUG D=14.5 L=4	FOR LU-1510					1	
10		D2112555B00		CORD HOLDER, LARGE	FOR LU-1510-7					1	
11		21331202		SETSCREW	FOR LU-1510					1	
12		21331806		WINDOW PLATE B	FOR LU-1510					1	
13		21332002		WINDOW PLATE PACKING B	FOR LU-1510					1	
14		SS4110815SP		SCREW 11/64-40 L=8	FOR LU-1510					5	
15		TA1250504R0		RUBBER PLUG						1	
16		21332309		SIDE COVER						1	
17		SS4110815SP		SCREW 11/64-40 L=8						1	
18		21331608		BALANCE COVER						1	
19		SS7150910TP		SCREW 15/64-28 L=9						1	
20	R	21355805	40108674	THREAD GUIDE						1	1.00
21		SS5090610SP		SCREW 9/64-40 L=6						1	
22		B1129051000		FRAME THREAD GUIDE, UPPER						1	
23		SS2090710TP		SCREW 9/64-40 L=7.2						2	
24		21408554		THREAD GUIDE ASM.						1	
25	R	21408505	21408554	THREAD GUIDE PLATE				*		1	1.00
26		17912106		NEEDLE THREAD PRESSER PLATE				*		1	
27		B1132521000		THREAD PRESSER PLATE SPRING				*		1	
28		SD0380551SL		HINGE SCREW D= 3.80 H= 5.5				*		1	
29		SS2090710TP		SCREW 9/64-40 L=7.2						1	
30		22651202		AUXILIARY COVER						1	
31		SS2090710TP		SCREW 9/64-40 L=7.2						2	
32		B3138512000		TAKE-UP SPRING A-DJUSTING PLATE						1	
33		SS7090520TP		SCREW 9/64-40 L=4.5						1	
34		B1111563000		BED SLIDE SPRING						1	
35		SS4110515SP		SCREW 11/64-40 L=5						2	
36		B1109563000		THROAT PLATE						1	
37		SS2110920TP		SCREW 11/64-40 L=8.5						2	
38		21349600		SLIDING PLATE (LEFT)						1	
39		21349709		SLIDING PLATE (RIGHT)	FOR LU-1510					1	
40		TA1050504R0		RUBBER PLUG						1	
41		CM300200101		SAFETY LABEL, 1(SMALL).	FOR JAPAN					1	
42		CM3002001A1		SAFETY LABEL.,3 (SMALL).	EXCEPT JAPAN					1	
43		CM3002000B1		LABEL(16)	FOR JAPAN					1	
44		CM300200001		ATTENTION SEAL	EXCEPT JAPAN					1	
45	R	10004109	22901805	GROUND MARK						1	1.00
46		21332200		OIL SHIELD (LEFT)						1	

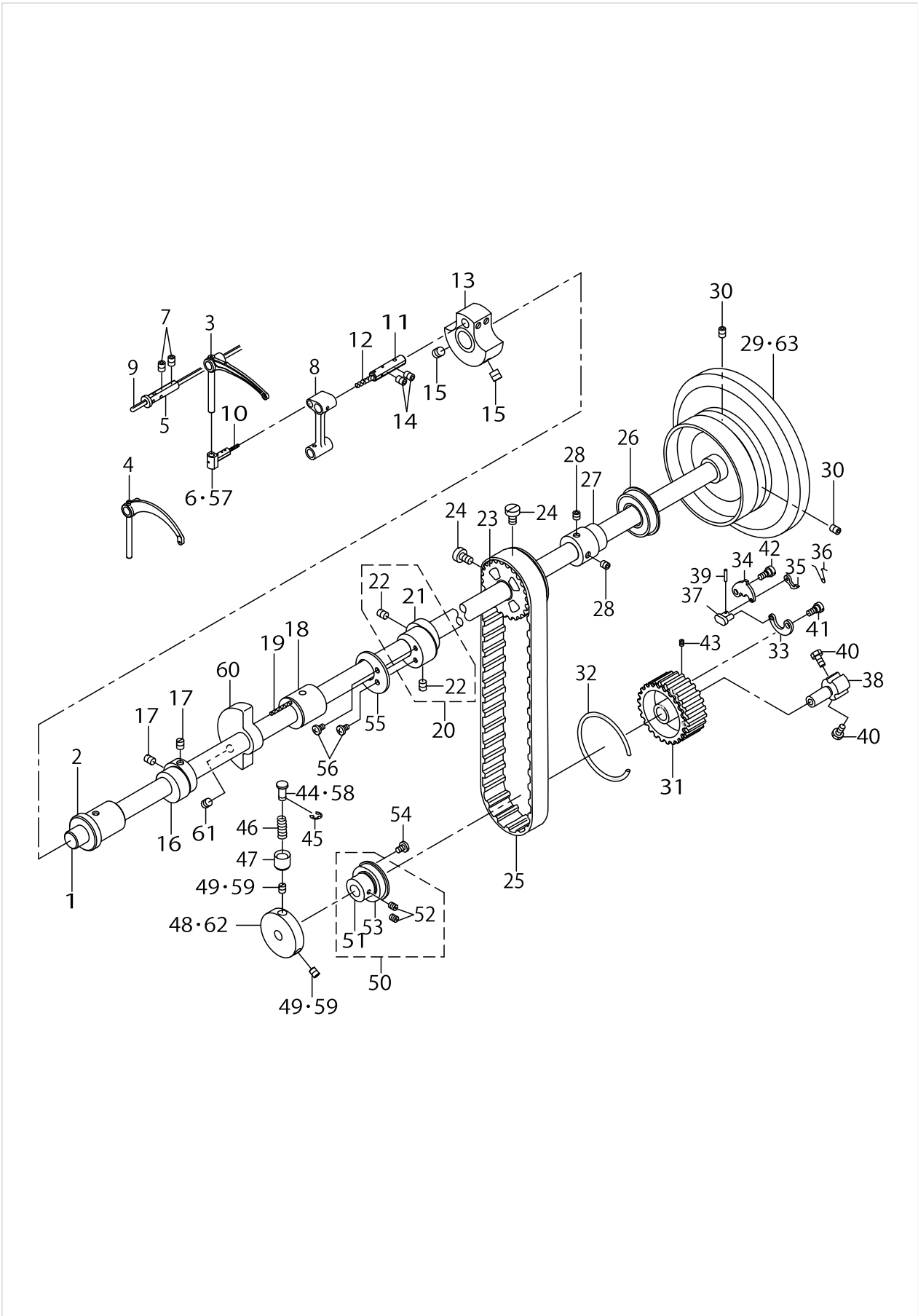
FRAME & MISCELLANEOUS COVER COMPONENTS



FRAME & MISCELLANEOUS COVER COMPONENTS

No.	Supply Code	Parts No.	Replacement	Parts name	Remarks	Choice	Step	Level	Cons	Qty	Rep. QTY
47	D	22877609		DUST COVER	FOR LU-1510					1	
48		SS4110815SP		SCREW 11/64-40 L=8	FOR LU-1510					1	
49	R	21331905	40107950	WINDOW PLATE C	FOR LU-1510-7					1	1.00
50		21332101		WINDOW PLATE PACKING C	FOR LU-1510-7					1	
51		SS4110815SP		SCREW 11/64-40 L=8	FOR LU-1510-7					7	
52		22619100		CAP						1	
53		10201200		RUBBER PLUG						1	
54		21349808		THREAD CUTTING SLIDING PLATE	FOR LU-1510-7					1	
55		SS6111140SP		SCREW 11/64-40 L=11	FOR LU-1510-7					1	
56		WT0530002KS		TOOTHED WASHER D=5.3	FOR LU-1510-7					1	
57		22602601		BED SCREW STUD						3	
58		TA1050504R0		RUBBER PLUG						1	
59		HX00123000A		CABLE CLIP	FOR LU-1510-7					2	
60		SS4110815SP		SCREW 11/64-40 L=8	FOR LU-1510-7					2	
61		23208556		AUXILIARY COVER ASM.	FOR LU-1510					1	
62		23208507		AUXILIARY COVER				*		1	
63	R	23208606	23208556	SIDEING PLATE SUPPORT				*		1	1.00
64		SS2090520SL		SCREW 9/64-40 L=5				*		2	
65		SS6111140SP		SCREW 11/64-40 L=11	FOR LU-1510-7					1	
66		TA0550604R0		RUBBER PLUG	FOR LU-1510-7					1	
67		21348909		WINDOW PLATE D	OPTIONAL PARTS					1	
68		SS4110815SP		SCREW 11/64-40 L=8						1	

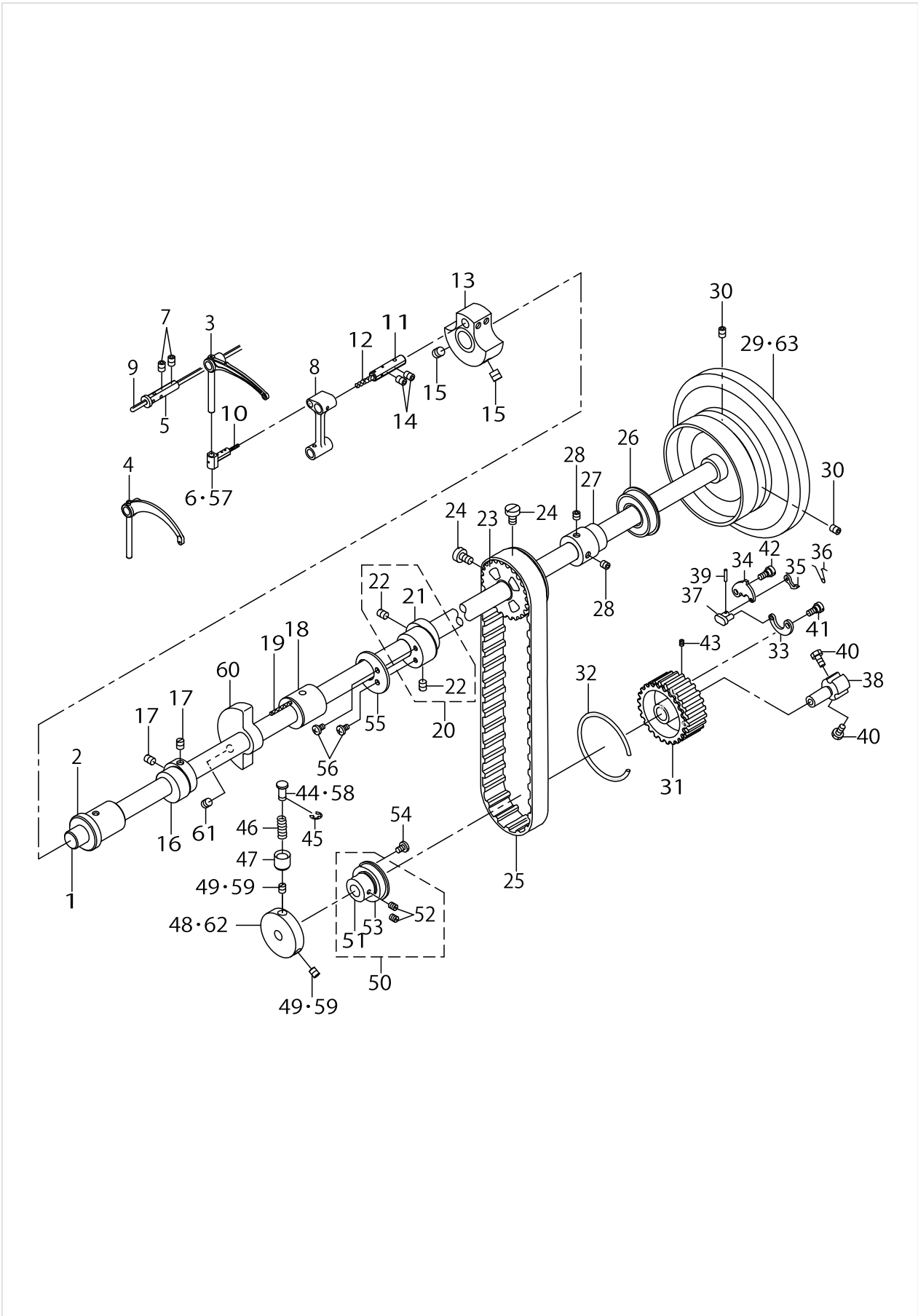
UPPER SHAFT, LOWER SHAFT DRIVING & BALANCE COMPONENTS



UPPER SHAFT,LOWER SHAFT DRIVING & BALANCE COMPONENTS

No.	Supply Code	Parts No.	Replacement	Parts name	Remarks	Choice	Step	Level	Cons	Qty	Rep. QTY
1		21332705		UPPER SHAFT						1	
2		21333000		UPPER SHAFT FRONT METAL						1	
3		21333208		BALANCE	FOR LU-1510-7					1	
4		B1905563000		THREAD TAKE-UP LEVER ASM.	FOR LU-1510					1	
5		B1906051000		TAKE-UP LEVER PIN						1	
6		B1907051000		TAKE-UP LEVER THRUST PIN	FOR LU-1510					1	
7		SS8150822TP		SCREW 15/64-28 L=8						2	
8		21339106		NEEDLE BAR CRANK ROD						1	
9		CQ303000000		OIL WICK						.45	
10		CQ202000000		OIL WICK						.03	
11		B1210051000		NEEDLE BAR CRANK PIN						1	
12		CQ505000000		OIL WICK						.03	
13		21332507		COUNTER WEIGHT (A) (36MM)						1	
14		SS8150822TP		SCREW 15/64-28 L=8						2	
15		SM8080812TP		SCREW M8X8						2	
16	R	21339502	21339551	UPPERFEEDCAM(3.5)	FOR LU-1510					1	1.00
17		SS8660810TP		SCREW 1/4-40 L=8						2	
18		21333109		UPPER SHAFT INNER METAL						1	
19		CQ202000000		OIL WICK						.15	
20		21336557		ECCENTRIC CAM A ASM.						1	
21	R	21336508	21336557	ECCENTRIC CAM A				*		1	1.00
22		SS8660810TP		SCREW 1/4-40 L=8				*		2	
23		22604904		UPPER SPROCKET						1	
24		SS6661110SP		SCREW 1/4-40 L=11						2	
25		22604300		TIMING BELT						1	
26		B1203512000		BUSHING, REAR						1	
27		10704906		UPPER SHAFT BEARING HOOK						1	
28		SM8060602TP		SCREW M6X6						2	
29	D	21332804		FLYWHEEL	FOR LU-1510-7					1	
30		SS8150822TP		SCREW 15/64-28 L=8						2	
31		21333505		LOWER SPROCKET						1	
32		B1214019000		SPROCKET RING						1	
33		B1305055000A		SAFETY CLUTCH SPRING						1	
34	R	B1307055000	21387600	SAFETY CLUTCH HOOK						1	1.00
35		B1308055000		SAFETY CLUTCH COUNTER-HOOK						1	
36	R	B1309055000	40113224	COUNTER-HOOK SPRING						1	1.00
37		B1310055000		SAFETY CLUTCH SMALL LINK						1	
38		10503605		SAFETY BASE						1	
39		B1314055000		SAFETY CLUTCH SMALL LINK PIN						1	
40		SS6661110SP		SCREW 1/4-40 L=11						2	
41		SD0640322TP		HINGE SCREW D= 6.35 H= 3.2						1	
42		SD0640322TP		HINGE SCREW D= 6.35 H= 3.2						1	
43		SS8090540SP		SCREW 9/64-40 L=5						1	
44		B1312563000A		SAFETY CLUTCH PUSH BUTTON	FOR LU-1510					1	
45		RE0500000K0		E-RING						1	
46		B1639051000		SPRING						1	

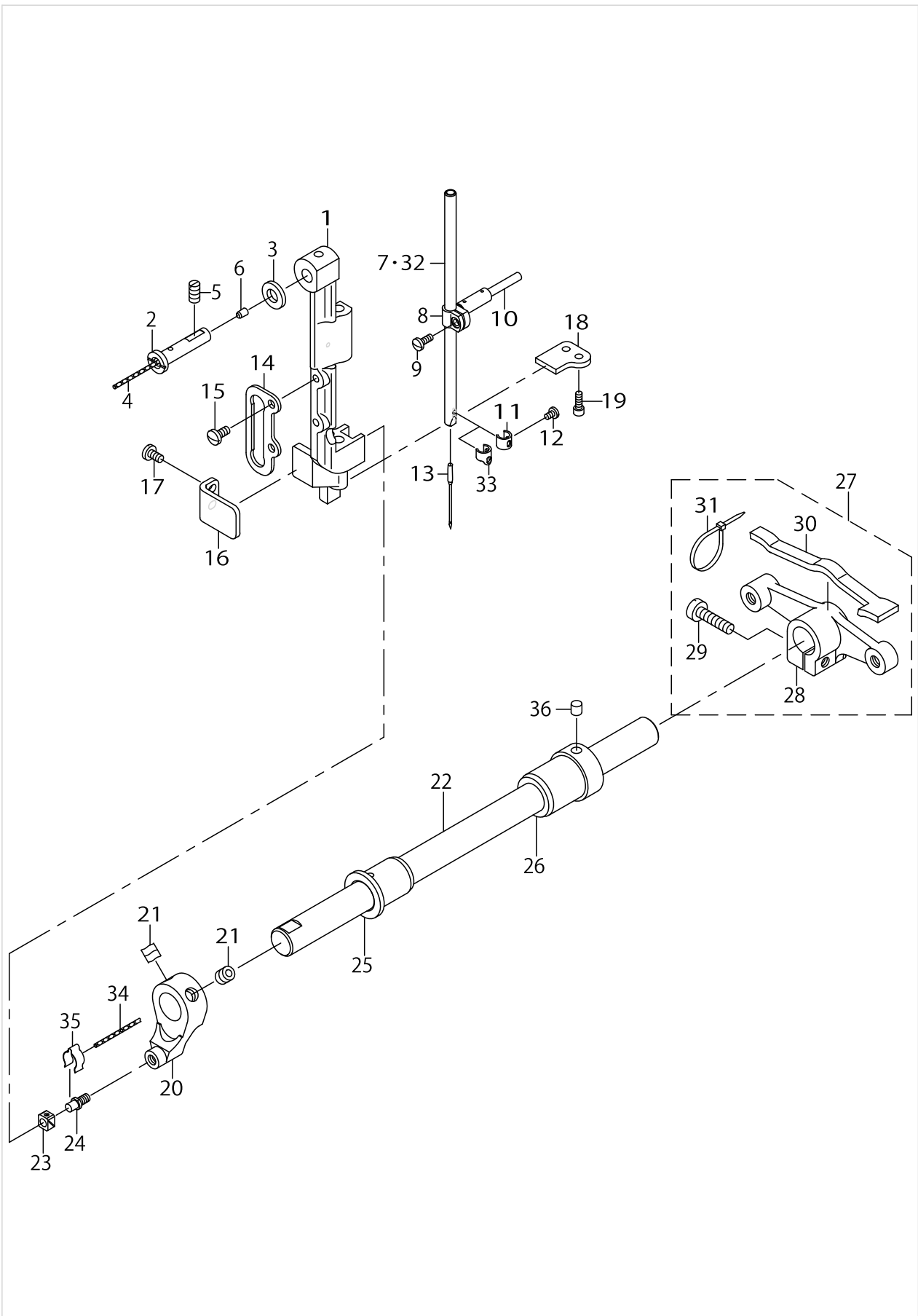
UPPER SHAFT, LOWER SHAFT DRIVING & BALANCE COMPONENTS



UPPER SHAFT,LOWER SHAFT DRIVING & BALANCE COMPONENTS

No.	Supply Code	Parts No.	Replacement	Parts name	Remarks	Choice	Step	Level	Cons	Qty	Rep. QTY
47		B1313055000		SAFETY CLUTCH KNOB SLEEVE						1	
48		21333703		SAFETY CLUTCH DISC	FOR LU-1510					1	
49		SS8150710TP		SCREW 15/64-28 L=7	FOR LU-1510					2	
50		22611651		THRUST COLLAR ASM., B						1	
51		22611602		THRUST COLLAR, B				*		1	
52		SS8661030SP		SCREW 1/4-40 L=10				*		2	
53		SB120000200		BEARING 20X42				*		1	
54		SS7120760SP		SCREW 3/16-28 L=7.0						2	
55		21353008		HORIZONTAL FEED CAM COVER						1	
56		SS7110710SP		SCREW 11/64-40 L=7						2	
57		21333307		BALANCE SLIDE SHAFT	FOR LU-1510-7					1	
58	R	21333802	40104367	SAFETY CLUTCH PUSH BUTTON	FOR LU-1510-7					1	1.00
59		SS8660530TP		SCREW 1/4-40 L=4.5	FOR LU-1510-7					2	
60		21333406		BALANCER	FOR LU-1510					1	
61		SS8151550SP		SCREW 15/64-28 L=15	FOR LU-1510					2	
62		21333901		SAFETY CLUTCH DISC	FOR LU-1510-7					1	
63		21334008		FLYWHEEL	FOR LU-1510					1	

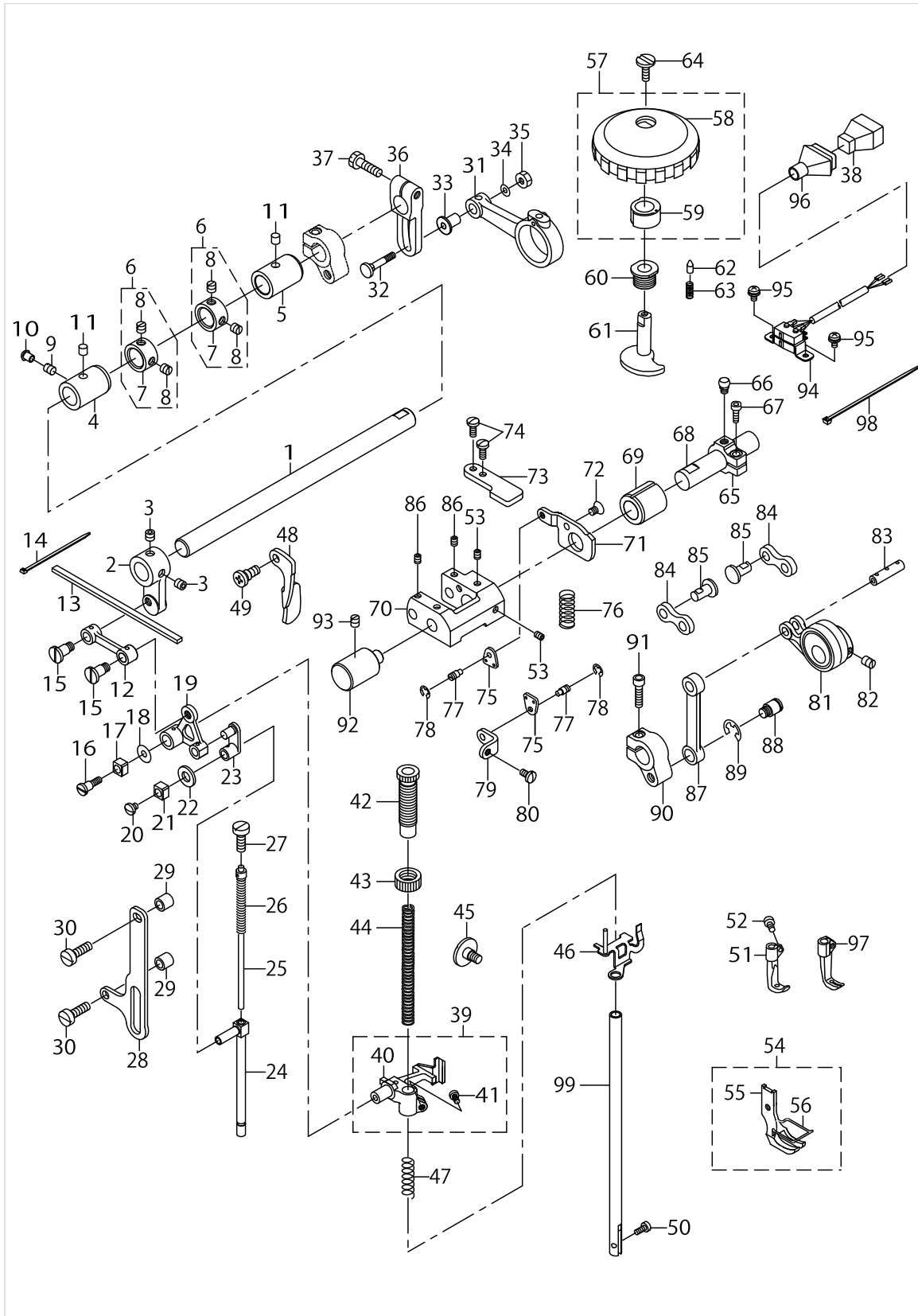
NEEDLE BAR ROCKING COMPONENTS



NEEDLE BAR ROCKING COMPONENTS

No.	Supply Code	Parts No.	Replacement	Parts name	Remarks	Choice	Step	Level	Cons	Qty	Rep. QTY
1		B1420563000		NEEDLE BAR FRAME						1	
2		21339403		HINGE STUD						1	
3		B185351200CA		HOOK SHAFT WASHER, C						1	
4		CQ202000000		OIL WICK						.05	
5		SS8151150TP		SCREW 15/64-28 L=10.5						1	
6		TA0370601M0		PLUG D=3.9X4 L=6						1	
7		B1401053000		NEEDLE BAR	FOR LU-1510					1	
8	D	B1411053000		NEEDLE BAR CONNECTION						1	
9	R	SS7090910SP	SS7090910TP	SCREW 9/64-40 L=8.5						1	1.00
10		B1412051000		FELT						1	
11		10308609		THREAD GUARD	FOR LU-1510					1	
12		SS7080510TP		SCREW 1/8-44 L=4.5						1	
13		MC372001600		NEEDLE SY3355 160						1	
14		B1467563000		UPPER FEED BAR GUIDE						1	
15		SS7110910TP		SCREW 11/64-40 L= 8.5						2	
16		21338702		ROCKING BASE GUIDE						1	
17		SS7110830SP		SCREW 11/64-40 L= 7.5						2	
18		21338603		ROCKING BASE GUIDE (B)						1	
19		SS6091022TP		SCREW						2	
20		21338801		ROCKINGFRONTARM						1	
21		SM8080802TP		SCREW						2	
22		21338900		ROCKING SHAFT						1	
23		B1414232000		SQUARE BLOCK						1	
24		B1410771000		STUD						1	
25		21339304		ROCKING SHAFT FRONT METAL						1	
26	D	21339205		ROCKING SHAFT REAR METAL						1	
27		21339056		ROCKING REAR ARM ASM.						1	
28		21339007		ROCKING REAR ARM				*		1	
29		SS6152440SP		SCREW 15/64-28 L=23.5				*		1	
30		21347406		ROCKING REAR ARM FELT				*		1	
31		EA9500B0100		CABLE BAND				*		2	
32		21338405		NEEDLE BAR THREAD RACK	FOR LU-1510-7					1	
33		21338504		NEEDLE BAR THREAD RACK	FOR LU-1510-7					1	
34		CQ202000000		OIL WICK	FOR LU-1510-7					.05	
35		B1437051000		OIL WICK RETAINER	FOR LU-1510-7					1	
36		22814909		FELT						1	

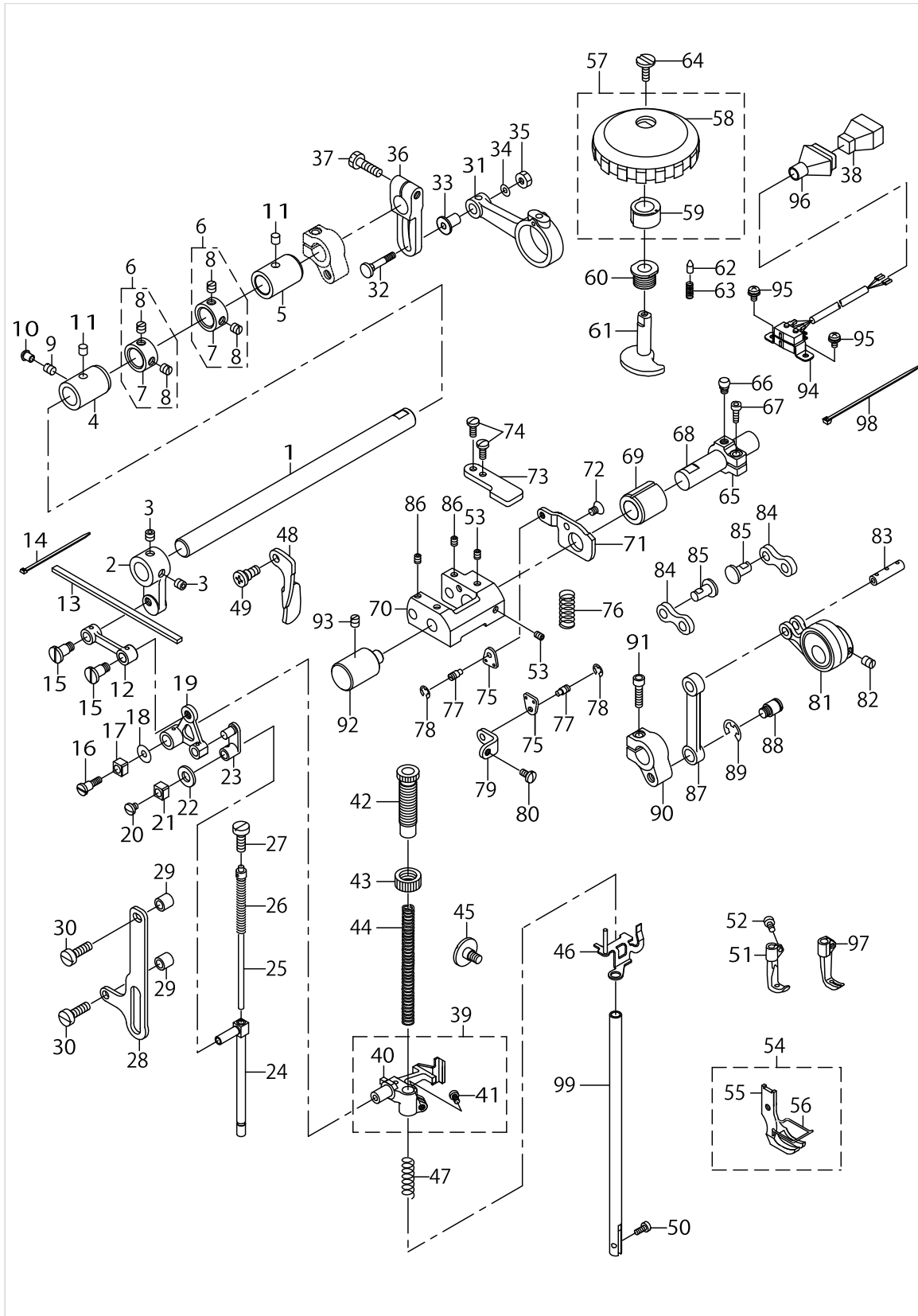
PRESSURE ADJUSTING & UPPER FEED MECHANISM COMPONENTS



PRESSURE ADJUSTING & UPPER FEED MECHANISM COMPONENTS

No.	Supply Code	Parts No.	Replacement	Parts name	Remarks	Choice	Step	Level	Cons	Qty	Rep. QTY
1		21340401		UPPER FEED SHAFT						1	
2		21340500		UPPER FEED FRONT ARM						1	
3		SS8660612TP		SCREW 1/4-40 L=6						2	
4		21341904		FRONT METAL						1	
5		21378302		FEED ROCK SHAFT METAL						1	
6		22904155		MAIN SHAFT THRU-ST COLLAR ASM.						2	
7	R	22904106	22904155	MAIN SHAFT THRUST COLLAR				*		1	1.00
8		SS8660610TP		SCREW 1/4-40 L=6				*		2	
9	R	SS8150710SP	SS8150710TP	SCREW 15/64-28 L=7						1	1.00
10		TA0550604R0		RUBBER PLUG						1	
11		22814909		FELT						2	
12	R	21339908	40033026	UPPER FEED LINK						1	1.00
13		21347109		FELT						1	
14		EA9500B0000		CLIP CV-70S						2	
15		B3016141H00		HINGE SCREW, B						2	
16		SD0640701SP		HINGE SCREW D=6.35 H=7						1	
17		B1414555000		SLIDE BLOCK						1	
18		WP0501046SC		WASHER 5 X 13 X 1						1	
19	R	21340807	40033028	TRIANGULAR LEVER						1	1.00
20		SS7110510SP		SCREW 11/64-40 L=5						1	
21		B1414555000		SLIDE BLOCK						1	
22		10509701		FELT						1	
23		B1465053000		WALKING BAR DRIVING LINK						1	
24	R	B1466563000	40033030	WALKING BAR						1	1.00
25		B14670530A0		WALKING BAR ASM.						1	
26		B1468053000		WALKING BAR SPRING						1	
27		SS6151780SP		SCREW 15/64-28 L=17.0						1	
28		21341300		UPPER FEED GUIDE PLATE						1	
29	R	13514310	26225201	ROLLER						2	1.00
30		SS6151920SP		SCREW 15/64-28 L=19.0						2	
31		21340104		UPPER FEED ROD	FOR LU-1510					1	
32		D1456055B00		HINGE SCREW	FOR LU-1510					1	
33		D1455055B00		CONNECTING STUD	FOR LU-1510					1	
34		WP0482086SD		WASHER 4.8X11.5X2	FOR LU-1510					1	
35		NS6110530SP		NUT 11/64-40	FOR LU-1510					1	
36		21340203		UPPER FEED REAR ARM	FOR LU-1510					1	
37		SM9062250SC		SCREW M6 L=22	FOR LU-1510					1	
38		GBC02621000		15-POLE PLUG, WHITE	FOR LU-1510-7					1	
39	R	21341052	40033032	PRESSER BAR HOLDER ASM.						1	1.00
40	R	21341003	40033032	PRESSER BAR HOLDER				*		1	1.00
41		SS7110910TP		SCREW 11/64-40 L= 8.5				*		1	
42		21340906		PRESSER ADJUSTING SCREW						1	
43	R	B1511555000	40012052	NUT						1	1.00
44		B1502246000		PRESSER SPRING						1	
45		SD0800481SP		HINGE SCREW D= 8 H= 4.9						1	

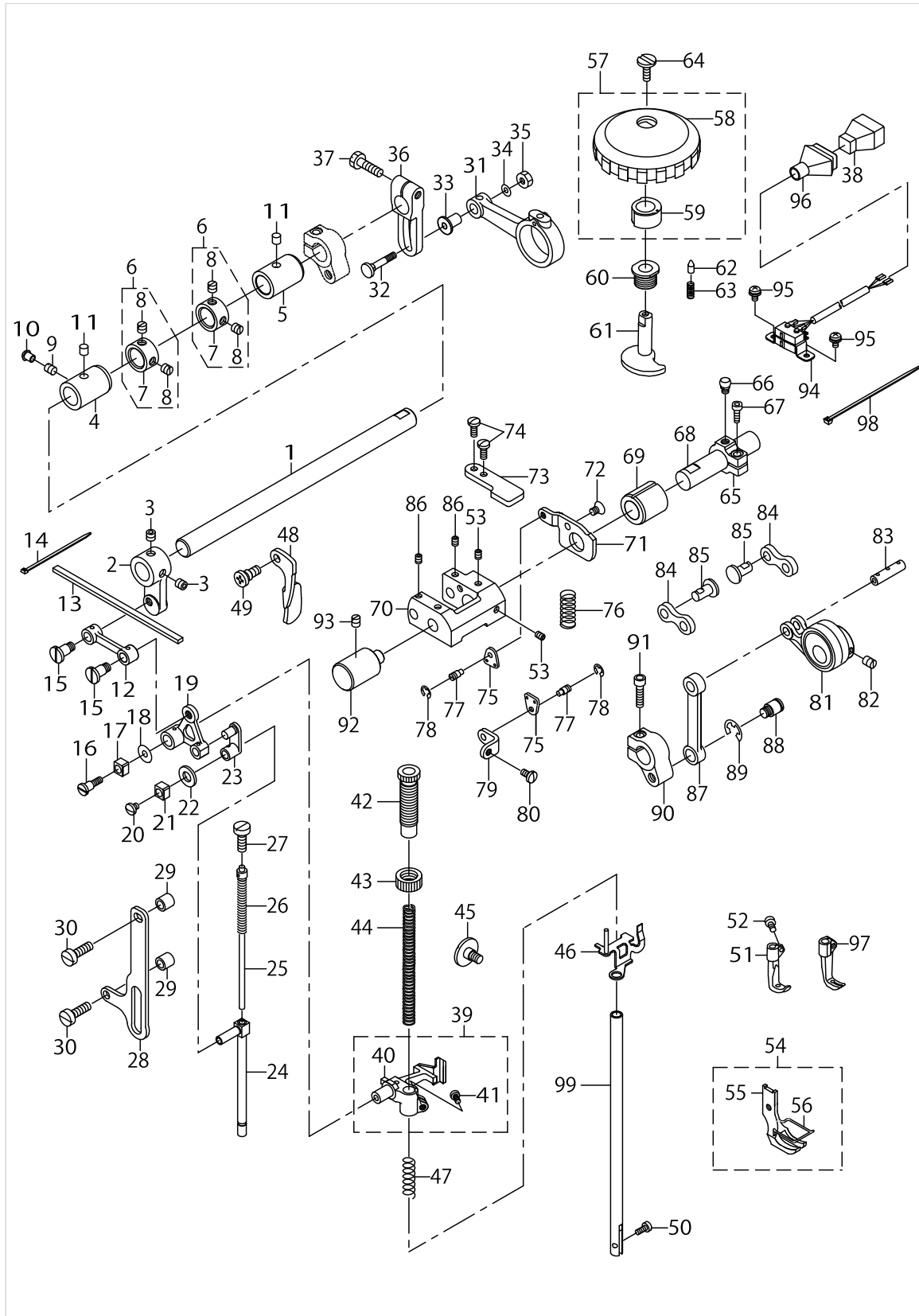
PRESSURE ADJUSTING & UPPER FEED MECHANISM COMPONENTS



PRESSURE ADJUSTING & UPPER FEED MECHANISM COMPONENTS

No.	Supply Code	Parts No.	Replacement	Parts name	Remarks	Choice	Step	Level	Cons	Qty	Rep. QTY
46		21341151		THREAD RELEASE HOLDING PLATE						1	
47		B1462053000		THREAD RELEASE SPRING						1	
48		21343504		PRESSER LIFTER LEVER						1	
49	R	11006509	22908701	LINK SHAFT						1	1.00
50		SS6090910TP		SCREW 9/64-40 L=9						1	
51	R	B1470241H00	B1470241HA0	WALKING FOOT						1	1.00
52		B1471241H00		SCREW						1	
53		SM8050602TP		SCREW M5 L=6	FOR LU-1510-7					2	
54		B1525241HA0		PRESSER FOOT ASM.						1	
55	R	B1525241H00	B1525241HA0	PRESSER FOOT				*		1	1.00
56		10337905		FINGER GUARD				*		1	
57		10774354		UPPER AND LOWER DIAL ASM.	FOR LU-1510-7					1	
58	R	10774305	10774354	VERTICAL DIAL				*		1	1.00
59		10774404		VERTICAL CAM				*		1	
60		10715100		VERTICAL DIAL SHAFT BUSHING	FOR LU-1510-7					1	
61	R	10715001	40108542	VERTICAL ADJUSTING CAM	FOR LU-1510-7					1	1.00
62		10715704		VERTICAL DIAL PIN	FOR LU-1510-7					1	
63		B152652700G		SPRING	FOR LU-1510-7					1	
64		SS6110630TP		SCREW 11/64-40 L=6	FOR LU-1510-7					1	
65		21341607		VERTICAL ADJUSTING ARM	FOR LU-1510-7					1	
66		10715308		PIN	FOR LU-1510-7					1	
67		SM6051402TP		SCREW M5X0.8 L=14	FOR LU-1510-7					1	
68		21341508		VERTICAL CHANGE BASE SHAFT	FOR LU-1510-7					1	
69		10718203		FEED SHAFT FRONT METAL	FOR LU-1510-7					1	
70		10714202		VERTICAL CHANGE BELT	FOR LU-1510-7					1	
71		21339601		UPPER FEED STOPPER PLATE (A)	FOR LU-1510-7					1	
72	R	SM1050801SR	SM1050801SC	SCREW M5 L=8	FOR LU-1510-7					1	1.00
73		21339700		UPPER FEED STOPPER PLATE (B)						1	
74		SS7111120TP		SCREW						2	
75		10713501		SPRING HOOK	FOR LU-1510-7					2	
76		10716504		VERTICAL SHAFT SPRING	FOR LU-1510-7					1	
77		B3416552000		CONNECTING ROD HINGE SCREW	FOR LU-1510-7					2	
78		RE050000K0		E-RING	FOR LU-1510-7					2	
79		21339809		UPPER FEED DOG SPRING HOOK	FOR LU-1510-7					1	
80		SS7110830SP		SCREW 11/64-40 L= 7.5	FOR LU-1510-7					1	
81		10713766		ECCENTRIC ROD (SET)	FOR LU-1510-7					1	
82		SS8660810TP		SCREW 1/4-40 L=8	FOR LU-1510-7					2	
83		10713808		CONNECTION LINK PIN B	FOR LU-1510-7					1	
84	R	10714509	40107949	CONNECTION LINK B	FOR LU-1510-7					2	1.00
85	R	10714608	40052263	CONNECTION LINK B SUPPORT PIN	FOR LU-1510-7					2	1.00
86		SM8050602TP		SCREW M5 L=6	FOR LU-1510-7					2	
87		21340005		UPPER FEED LINK (B)	FOR LU-1510-7					1	
88		21048707		HINGE SCREW	FOR LU-1510-7					1	
89		RE080000K0		E-SHAPED SNAP RING (8MM)	FOR LU-1510-7					1	
90		21340302		UPPER FEED REAR ARM (B)	FOR LU-1510-7					1	

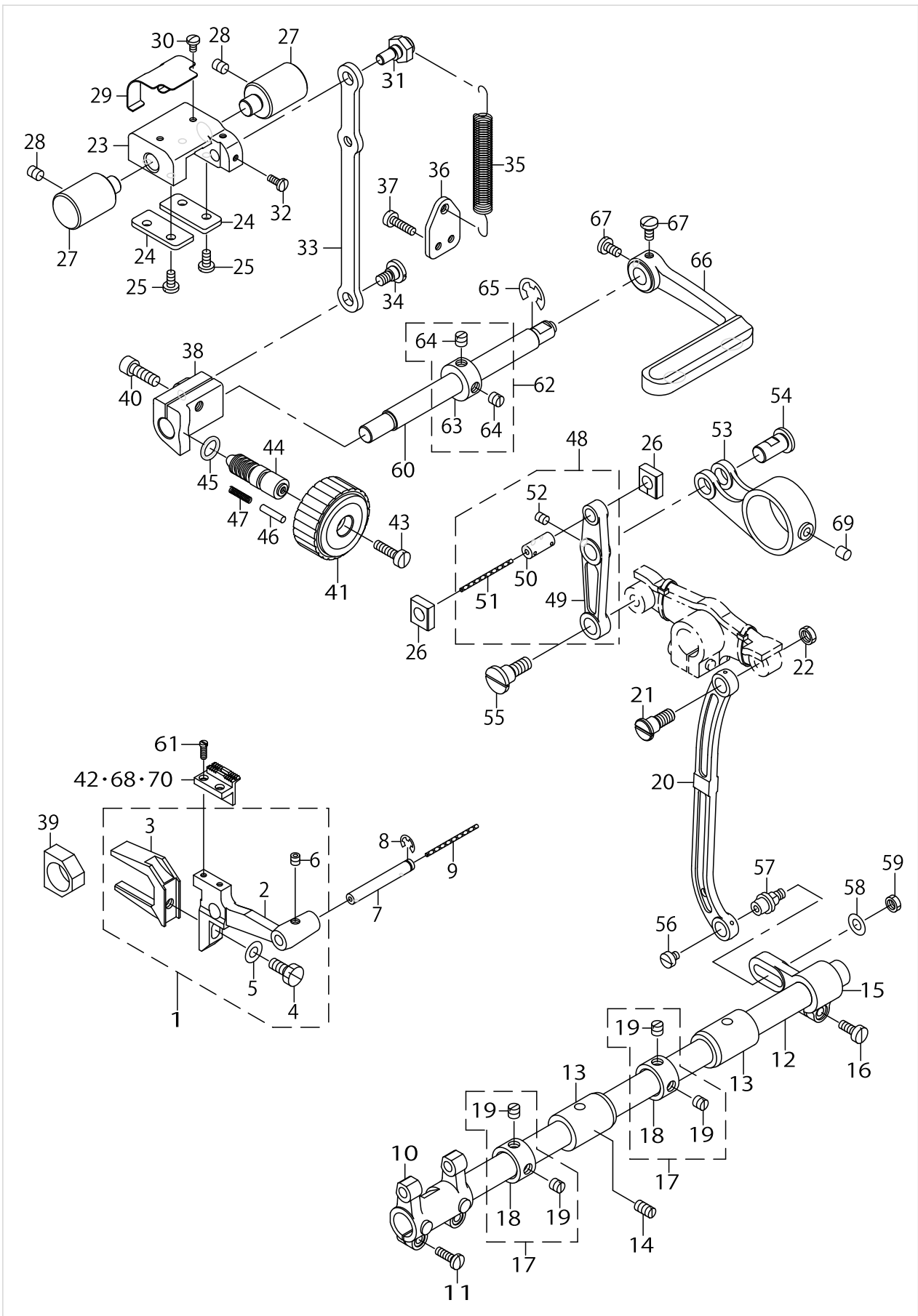
PRESSURE ADJUSTING & UPPER FEED MECHANISM COMPONENTS



PRESSURE ADJUSTING & UPPER FEED MECHANISM COMPONENTS

No.	Supply Code	Parts No.	Replacement	Parts name	Remarks	Choice	Step	Level	Cons	Qty	Rep. QTY
91		SM6052002TP		SCREW M5 L=20	FOR LU-1510-7					1	
92		21337803		FEED ADJUSTING BASE SUPPORT	FOR LU-1510-7					1	
93	R	SS8150710SP	SS8150710TP	SCREW 15/64-28 L=7	FOR LU-1510-7					1	1.00
94		21357561		VERTICAL DETECT-OR SWITCH ASM.	FOR LU-1510-7					1	
95		SL4040881SC		SCREW M4 L=8	FOR LU-1510-7					2	
96		GPK58005000		PLUG COVER 15P	FOR LU-1510-7					1	
97		D1470241E0A		WALKING FOOT	TIP-DIVID-ED TYPE(OPTION)					1	
98		EA9500B0100		CABLE BAND	FOR LU-1510-7					1	
99		B1501241H00		PRESSER BAR						1	

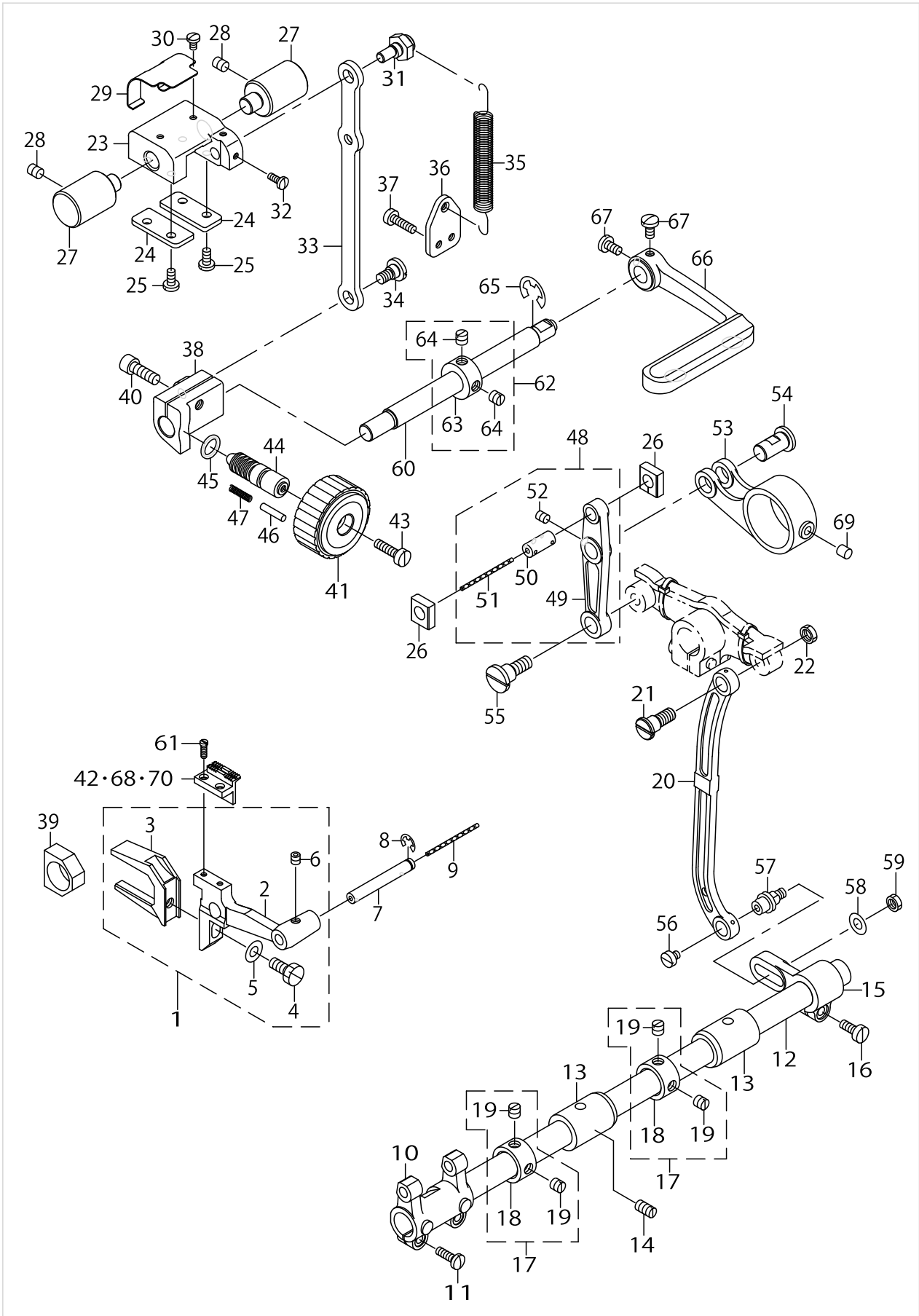
FEED MECHANISM COMPONENTS



FEED MECHANISM COMPONENTS

No.	Supply Code	Parts No.	Replacement	Parts name	Remarks	Choice	Step	Level	Cons	Qty	Rep. QTY
1		21336052		FEED BASE ASM. (A)						1	
2	R	21336003	21336052	FEED BASE		A	LU1508	*		1	1.00
2	R	21336003	21336060	FEED BASE		B	LU1510	*		1	1.00
3	R	10107902	40039258	FEED BAR FORK		A	PLC-17*	*		1	1.00
3	R	10107902	21336060	FEED BAR FORK		B	LU-1510N-7 NA-7	*		1	1.00
3	R	10107902	21364252	FEED BAR FORK		C	LU-1560N N-7 LU-1565	*		1	1.00
3	R	10107902	21393459	FEED BAR FORK		D	LU-1520N-7	*		1	1.00
3	R	10107902	23003353	FEED BAR FORK		E	PLC-16*	*		1	1.00
3	R	10107902	21336052	FEED BAR FORK		G	LU-1510/1510-7	*		1	1.00
3	R	10107902	22609762	FEED BAR FORK				*		1	1.00
4		SS9151440CP		SCREW15/64-28L=14				*		1	
5		WP0621016SD		WASHER 6.2X13X1				*		1	
6		SM8050502TP		SCREW M5 L=5				*		1	
7		B1604012000A		FEED BAR SHAFT						1	
8		RE0500711KP		SNAP RING 5						1	
9		CQ202000000		OIL WICK						.14	
10		21364104		FEED ROCKER						1	
11	R	SS7111410SP	SS7111410TP	SCREW11/64-40L=14						2	1.00
12		22609408		FEED ROCK SHAFT						1	
13		21378302		FEED ROCK SHAFT METAL						2	
14		SS8151150TP		SCREW 15/64-28 L=10.5						1	
15		B3025141H00A		CONNECTING ARM						1	
16		SS6121210TP		SCREW 3/16-28 L=12						1	
17		22904155		MAIN SHAFT THRU- ST COLLAR ASM.						2	
18	R	22904106	22904155	MAIN SHAFT THRUST COLLAR				*		1	1.00
19		SS8660610TP		SCREW 1/4-40 L=6				*		2	
20		10205201		NEEDLE BAR FRAME ROD						1	
21		SD0900701TP		HINGE SCREW D= 9 H= 7						1	
22		NS6680320SP		NUT 9/32-28						1	
23		21337506		FEED ADJUSTING BASE						1	
24		21337704		FEED ADJUSTING BASE COVER						2	
25		SS7110910TP		SCREW 11/64-40 L= 8.5						4	
26		21337407		SQUARE BLOCK						2	
27		21337803		FEED ADJUSTING BASE SUPPORT						2	
28		SS8150822TP		SCREW 15/64-28 L=8						2	
29		21338306		FELT SUPPORT						1	
30		SS7090610SP		SCREW 9/64-40 L=6						2	
31		21337902		ECCENTRIC PIN						1	
32		SS7090910TP		SCREW9/64-40L=8.5						2	
33		21337308		FEED ADJUSTING ROD						1	
34		SD0800402TP		HINGE SCREW D= 8 H= 4						1	
35		21337605		SPRING						1	
36		21338009		SPRING HOOK						1	
37		SS6111610SP		SCREW11/64-40L=16						2	
38		21337209		FEED ADJUSTING A						1	

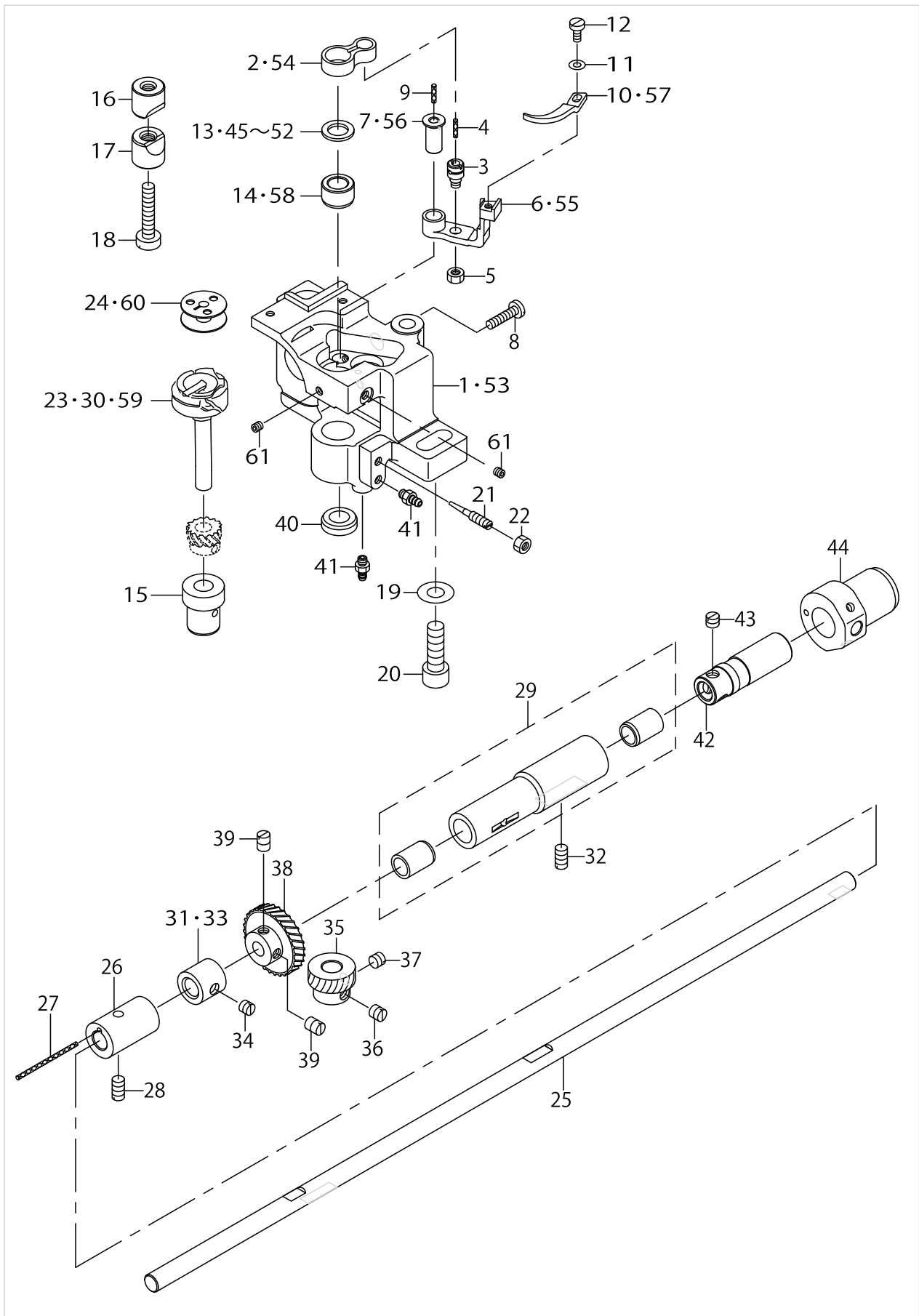
FEED MECHANISM COMPONENTS



FEED MECHANISM COMPONENTS

No.	Supply Code	Parts No.	Replacement	Parts name	Remarks	Choice	Step	Level	Cons	Qty	Rep. QTY
39		B1610512000		FEED DRIVING SLIDE BLOCK						1	
40		SM6061802TP		SCREW M6 L=18						1	
41		21336805		FEED DIAL A						1	
42		21349303		FEED DOG (2.5X7.2)	FOR LU-1510					1	
43		SS6121860SP		SCREW 3/16-28 L=18						1	
44	R	11009909	22911804	FEED REGULATOR SCREW						1	1.00
45		RO092270200		RUBBER RING						1	
46	R	11052701	22912000	PIN						1	1.00
47		22912109		FEED REGULATOR PIN SPRING						1	
48		21336656		FEED LINK ASM.						1	
49		21336607		FEED LINK				*		1	
50	R	B1418761000	40009103	CONNECTING FORKED LINK PIN				*		1	1.00
51		CQ202000000		OIL WICK				*		0.04	
52		SM8050612TP		SCREW M5X6				*		1	
53		21336706		FEED ROD A						1	
54	R	21338207	21378906	FEED LINK PIN						1	1.00
55		SD1000801SH		HINGE SCREW D=10 H=8						1	
56		SS6110520TP		SCREW 11/64-40 L=4.5						1	
57	R	21378203	40108541	FEED ROCK SHAFT HINGE SCREW						1	1.00
58		WP0650876SD		WASHER 6.5X13X0.8						1	
59		NS6150310SP		NUT 15/64-28						1	
60		21336300		BACKWARD FEED LEVER SHAFT						1	
61		B1611055000		SCREW FEED ROCK SHAF						2	
62		CS1201010SH		THRUST COLLAR ASM. D=12 W=10						1	
63		CS1201011SH		THRUST COLLAR D=12 W=10				*		1	
64		SS8660610TP		SCREW 1/4-40 L=6				*		2	
65		RE0900000K0		E-RING 9						1	
66	R	22610505	21388004	REVERSE FEED CONTROL LEVER						1	1.00
67		SS6120930TP		SCREW 3/16-28 L=9	FOR LU-1510					2	
68		21349204		FEED DOG (2.5X3.5)	FOR LU-1-510, LU-15-10-7 (OPTIONAL PARTS)					1	
69		22814909		FELT						1	
70		B1613563E00		FEED DOG	FOR LU-1-510-7 (OPTIONAL PARTS)					1	

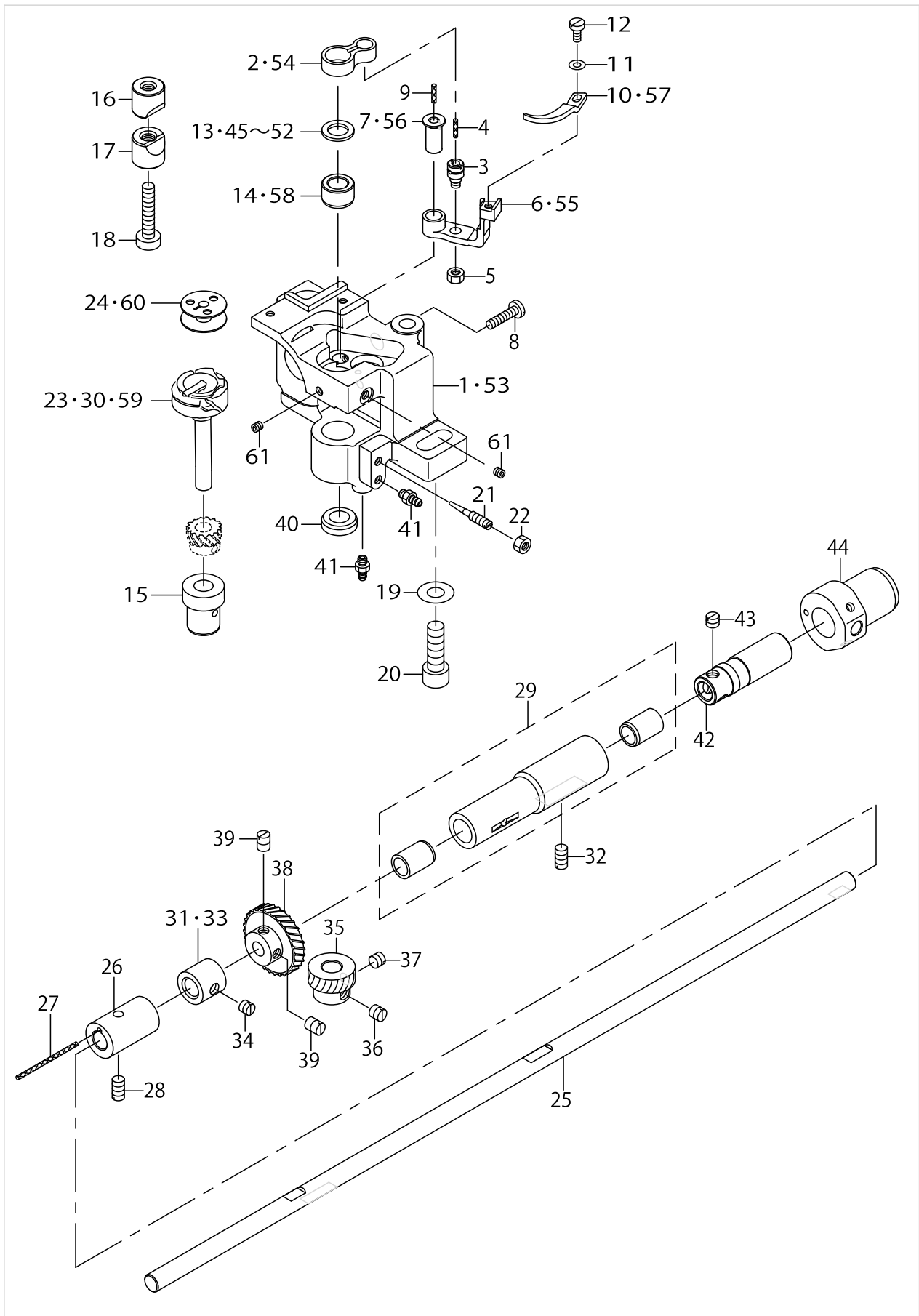
HOOK SHAFT & LOWER SHAFT COMPONENTS



HOOK SHAFT & LOWER SHAFT COMPONENTS

No.	Supply Code	Parts No.	Replacement	Parts name	Remarks	Choice	Step	Level	Cons	Qty	Rep. QTY
1	R	21335203	21390000	SHAFT BASE (RIGHT)	FOR LU-1510-7					1	1.00
2		21334909		INNER HOOK GUIDE LINK	FOR LU-1510-7					1	
3		B1821051000		CRANK SCREW STUD						1	
4		CQ202000000		OIL WICK						.01	
5		NS6110420SP		NUT 11/64-40						1	
6		21335500		GUIDE ARM (FOR T- HREAD CUTTING)	FOR LU-1510-7					1	
7		21335708		INNER HOOK GUIDE ARM SHAFT	FOR LU-1510-7					1	
8		SS7111810TP		SCREW 11/64-40 L=18						1	
9		CQ202000000		OIL WICK						.01	
10		21335807		INNER HOOK GUIDE	FOR LU-1510-7					1	
11		WP0371016SD		WASHER 3.7X8X1						1	
12		SS6090810SP		SCREW 9/64-40 L= 7.5						1	
13		10111102		THRUST WASHER 1.3	FOR LU-1510-7					1	
14		21378401		HOOK SHAFT UPPER METAL	FOR LU-1510-7					1	
15		21334701		HOOK SHAFT LOWER METAL						1	
16		10109908		SADDLE INSTALLIN- G BLOCK, UPPER						1	
17		10112407		SADDLE INSTALLIN- G BLOCK, LOWER						1	
18		SS6153040SP		SCREW 15/64-28 L=30						1	
19		WP0850002SP		WASHER 8.5X18X1.6						1	
20		SM6082502TP		SCREW M8 L=25						1	
21		B1834512000A		OIL ADJUSTING SCREW						1	
22		NS6110420SP		NUT 11/64-40						1	
23		21334552		THREAD CUTTING HOOK ASM.	FOR LU-1510-7					1	
24		21334800		ALUMINUM BOBBIN WITH KNURL	FOR LU-1510-7					1	
25		21333604		LOWER SHAFT						1	
26	D	B1802563000A		HOOK DRIVING SH- AFT FRONT METAL						1	
27		CQ202000000		OIL WICK						.04	
28		SS8151150TP		SCREW 15/64-28 L=10.5						1	
29		B18035150A0		BUSHING ASM., INTERMEDIATE						1	
30		B1830563BA0		HOOK ASM., FOR E- XTREME THICK T	FOR THICK THREAD(OPTION)					1	
31		B1840051000		FEED DRIVING ECCENTRIC	OPTIONAL PARTS(FOR LU-1510)					1	
32		SS8151150TP		SCREW 15/64-28 L=10.5						1	
33	R	21378104	21378153	VERTICAL FEED CAM						1	1.00
34		SS8150510TP		SCREW 15/64-28 L= 4.7						1	
35		B1817051000		HOOK DRIVING SH- AFT GEAR, SMALL						1	
36		SS8660670SP		SCREW 1/4-40 L= 6.1						1	
37		SS8660530TP		SCREW 1/4-40 L= 4.5						1	
38		B1816051000		HOOK DRIVING SH- AFT GEAR, LARGE						1	
39		SS8660810TP		SCREW 1/4-40 L=8						2	
40		TA1750502R0		RUBBER PLUG D=17.5 L=5						1	
41		SQ1110401MZ		CONNECTING SCREW						2	
42		22611909		OIL PUMP SHAFT						1	
43		SS8660530TP		SCREW 1/4-40 L= 4.5						3	

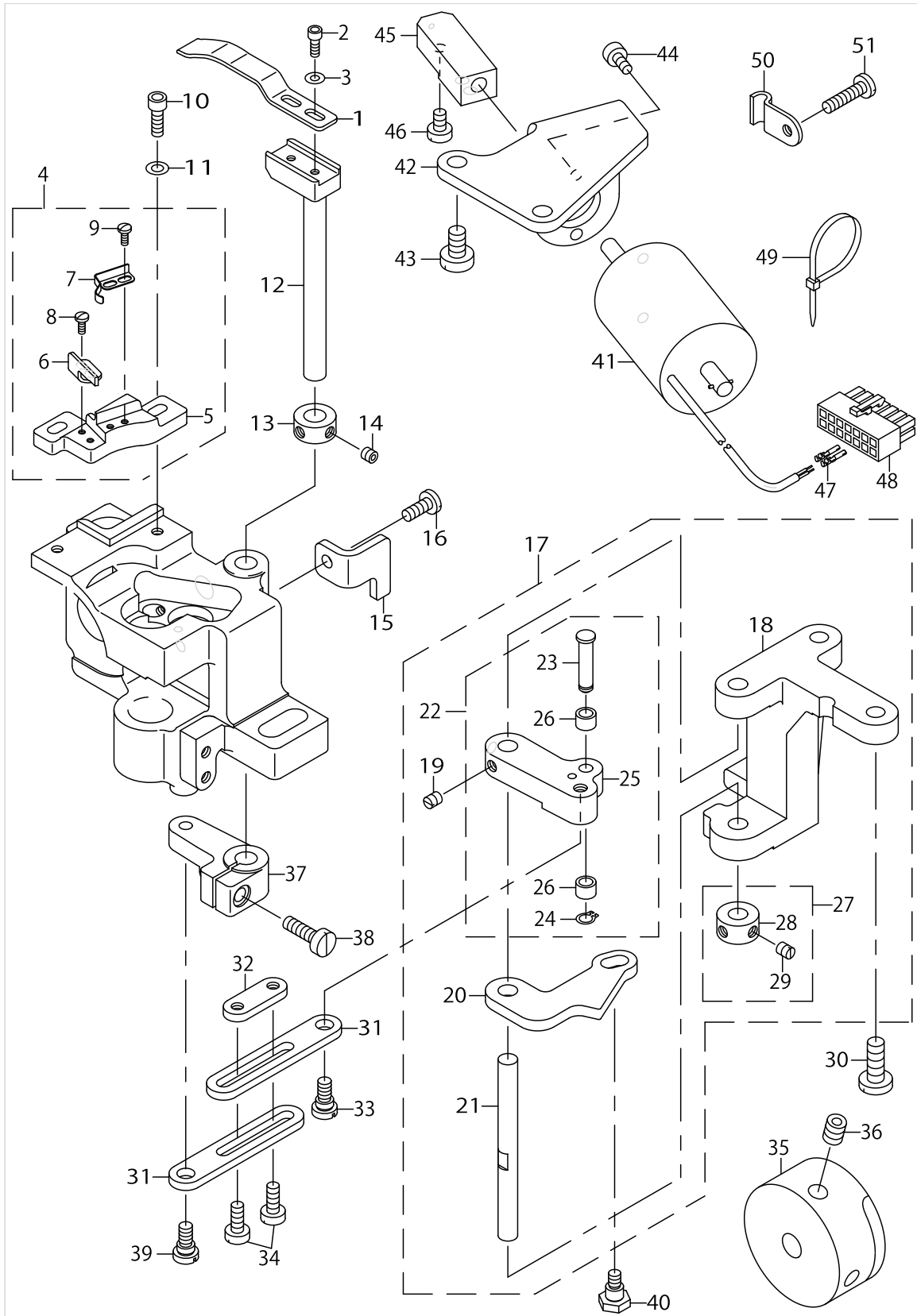
HOOK SHAFT & LOWER SHAFT COMPONENTS



HOOK SHAFT & LOWER SHAFT COMPONENTS

No.	Supply Code	Parts No.	Replacement	Parts name	Remarks	Choice	Step	Level	Cons	Qty	Rep. QTY
44		22611701		PLUNGERBUSHING,B						1	
45		10109700		THRUST WASHER, A	SELECTIVE PARTS					1	
46		10109809		THRUST WASHER, B	SELECTIVE PARTS					1	
47		10110906		BUSHING THRUST 1.1	SELECTIVE PARTS					1	
48		10111003		THRUST WASHER 1.2	SELECTIVE PARTS					1	
49		10111201		THRUST WASHER, F	SELECTIVE PARTS					1	
50		10112506		THRUST WASHER 1.6	SELECTIVE PARTS					1	
51		10112605		THRUST WASHER 1.7	SELECTIVE PARTS					1	
52		10112704		THRUST WASHER 1.8	SELECTIVE PARTS					1	
53		21335104		HOOK SHAFT BASE (RIGHT)	FOR LU-1510					1	
54		B1820563000		BOBBIN CASE OPE- NING LEVER LINK	FOR LU-1510					1	
55		B1822563000		BOBBIN CASE OPE- NING LEVER CRAN	FOR LU-1510					1	
56		B1823051000		OPENING LEVER CRANK PIN	FOR LU-1510					1	
57		B1824563000		BOBBIN CASE OPENING LEVER	FOR LU-1510					1	
58		21378500		HOOK SHAFT UPPER METAL	FOR LU-1510					1	
59		B18305630A0		VERTICAL-AXIS SE- WING HOOK ASM.	FOR LU-1510					1	
60		B9117563000		BOBBIN	FOR LU-1510					1	
61		SS8110422TP		SCREW 11/64-40 L=4						2	

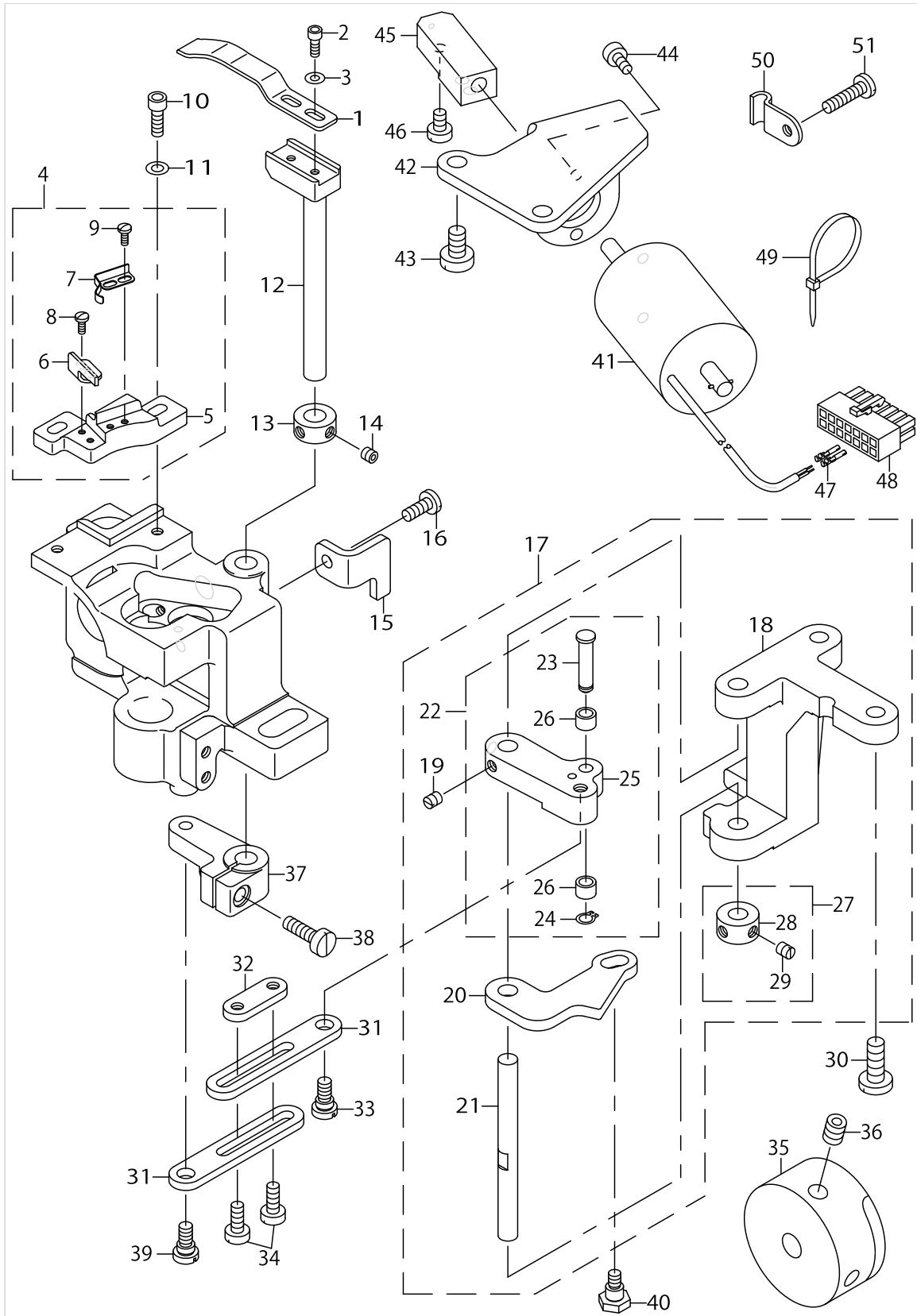
THREAD CUTTING COMPONENTS (FOR LU-1510-7)



THREAD CUTTING COMPONENTS (FOR LU-1510-7)

No.	Supply Code	Parts No.	Replacement	Parts name	Remarks	Choice	Step	Level	Cons	Qty	Rep. QTY
1		10726305		MOVING KNIFE						1	
2		SM6030802TP		SCREW M3X0.5 L=8						2	
3		WP0320501SC		WASHER M3						2	
4		21354857		FIXED KNIFE BASIS ASM.						1	
5	R	21354808	21354857	FIXED KNIFE BASIS				*		1	1.00
6		10726404		FIXED KNIFE				*		1	
7		10726909		CLAMP SPRING				*		1	
8		SS7060610SP		SCREW 3/32-56 L=5.5				*		2	
9		SS7060610SP		SCREW 3/32-56 L=5.5				*		2	
10		SM6041202TP		SCREW M4X0.7 L=12						2	
11		WP0430800SC		WASHER M4						2	
12		21354907		MOVINGKNIFESHAF						1	
13	R	CS0790731SH	CS079073ASH	THRUST COLLAR						1	1.00
14		SS8110422TP		SCREW 11/64-40 L=4						2	
15		21354501		THREAD CUTTING STOPPER (RIGHT)						1	
16	R	SS7111120SP	SS7111120TP	SCREW 11/64-40 L=10.5						1	1.00
17		21353750		VERTICAL FITTING BASIS ASM.						1	
18		21353701		VERTICAL FITTING BASIS				*		1	
19	R	SS8110510SP	SS8110520TP	SCREW 11/64-40 L=5				*		2	1.00
20		21354006		THREAD CUTTING DRIVING PLATE				*		1	
21		10116804		SHAFT				*		1	
22		21353859		THREAD CUTTING ROLLER ARM				*		1	
23	R	21353909	40104369	CAM ROLLER SHAFT				*		1	1.00
24		D2430555B00		SNAP RING				*		1	
25	D	21353800		THREAD CUTTING ROLLER ARM				*		1	
26		D2427555B00B		CAM ROLLER				*		2	
27		CS070081BSH		THRUST COLLAR ASM. D=7 W=8				*		1	
28		CS0700811SH		THRUST COLLAR D=7 W=8				*		1	
29	R	SS8110510SP	SS8110520TP	SCREW 11/64-40 L=5				*		2	1.00
30		SS7151610SP		SCREW 15/64-28 L=16						2	
31		21354105		CONNECTING PLATE						2	
32		21354204		STOPPING PLATE						1	
33		SD0640325SP		HINGE SCREW						1	
34		SS6111140SP		SCREW 11/64-40 L=11						2	
35	D	21353602		THREAD CUTTING CAM						1	
36		SS8660612TP		SCREW 1/4-40 L=6						2	
37		21354402		ROCKING ARM						1	
38		SS6121610TP		SCREW 3/16-28 L=15.5						1	
39		SD0640325SP		HINGE SCREW						1	
40		SD0640482SP		HINGE SCREW D= 6.35 H= 4.8						1	
41		21355102		THREAD CUTTING SOLENOID						1	
42		21354600		SOLENOID FITTING PLATE						1	
43		SS6151040SP		SCREW 15/64-28 L=10						2	
44		SM6040802TP		SCREW M4X0.7 L=8						2	
45		21354709		SOLENOID CONNECTING PLATE						1	
46		SS6110710TP		SCREW 11/64-40 L= 6.5						2	

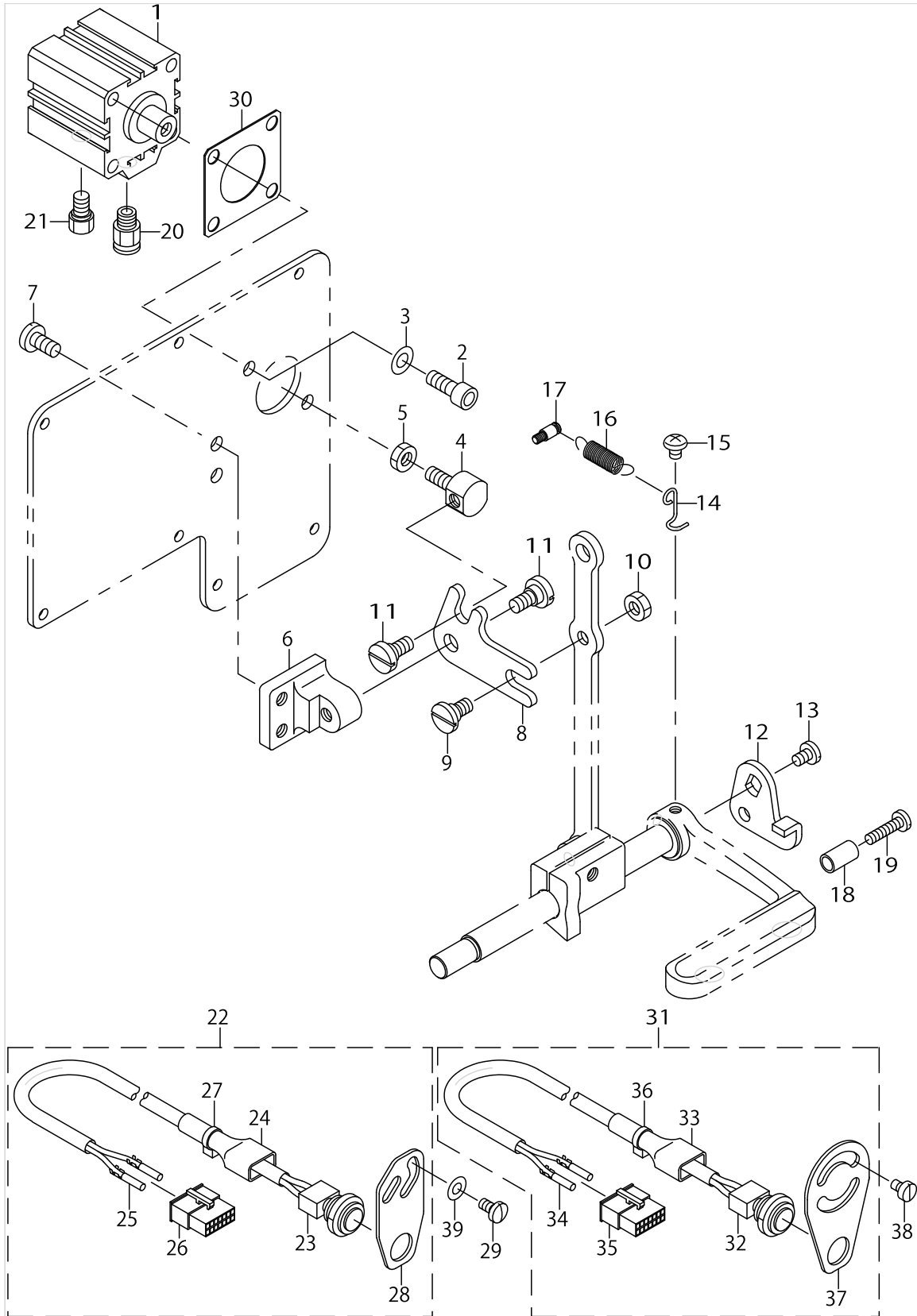
THREAD CUTTING COMPONENTS (FOR LU-1510-7)



THREAD CUTTING COMPONENTS (FOR LU-1510-7)

No.	Supply Code	Parts No.	Replacement	Parts name	Remarks	Choice	Step	Level	Cons	Qty	Rep. QTY
47		HK03464000B		PIN CONTACT						2	
48		HK034610140		HOUSING 14P						1	
49		EA9500B0100		CABLE BAND						1	
50		22620801		PIPE HOLDER						1	
51		SS7111810TP		SCREW11/64-40L=18						1	

AUTOMATIC BACK COMPONENTS (FOR LU-1510-7)



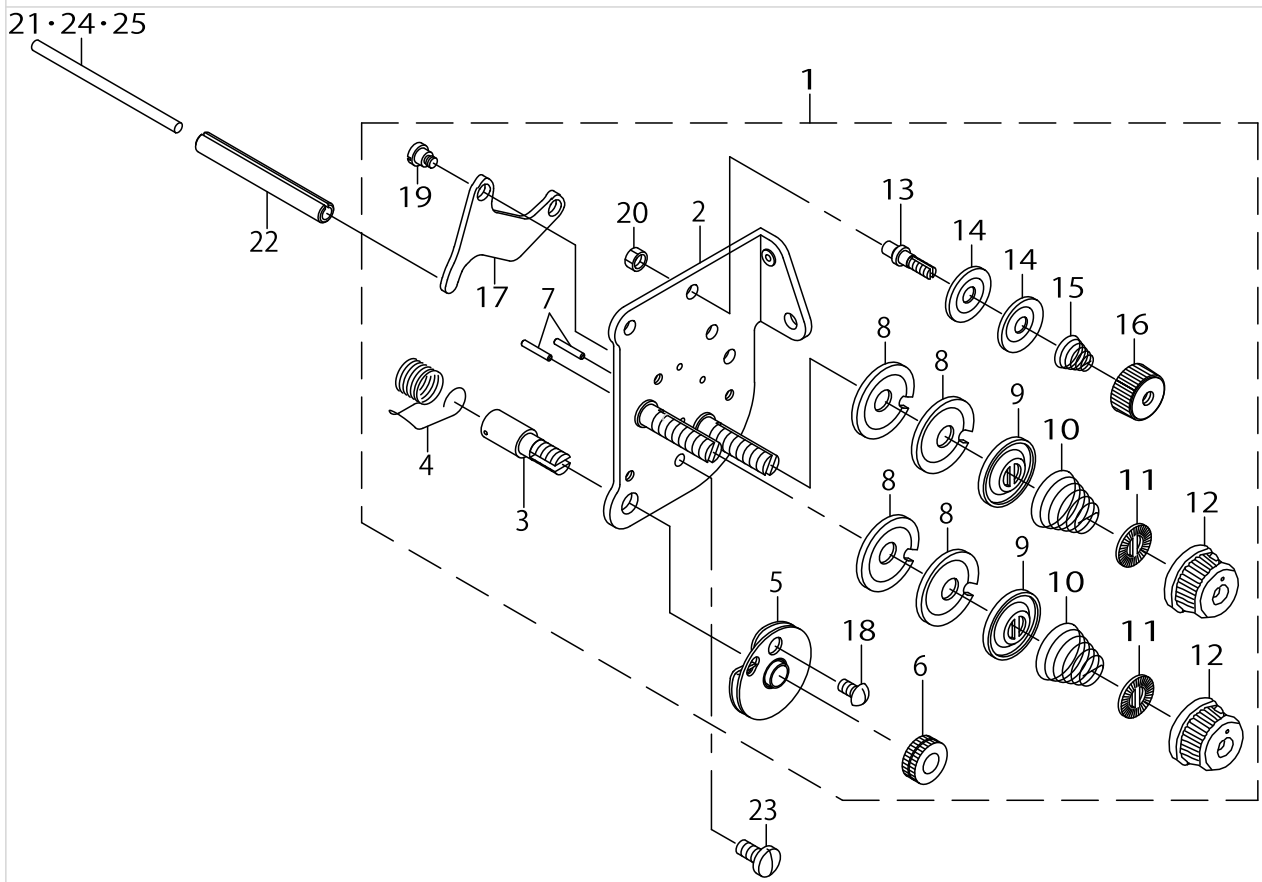
AUTOMATIC BACK COMPONENTS (FOR LU-1510-7)

No.	Supply Code	Parts No.	Replacement	Parts name	Remarks	Choice	Step	Level	Cons	Qty	Rep. QTY
1		PA320150200		JIG CYLINDER						1	
2		SM6061602TP		SCREW M6 L=16						2	
3		WP0641601SD		WASHER M6						2	
4		21348602		CYLINDER CONNECTING SCREW						1	
5		NM6060003SC		NUT M6						1	
6		21348503		FITTING BASE						1	
7		SS7151210SP		SCREW15/64-28L=12						2	
8		21348701		BACKWARD FEED LINK						1	
9		SD0800402TP		HINGE SCREW D= 8 H= 4						1	
10		NS6150430SP		NUT 15/64-28						1	
11		SD0800352SP		HINGE SCREW D= 8 H= 3.5						2	
12		22656102		REVERSE FEED LINK, (1)						1	
13		SS7120760SP		SCREW 3/16-28L=7.0						1	
14		22656003		SPRINGSUSPENSION						1	
15		SS4120615SP		SCREW 3/16-28 L=6						1	
16	R	13515606	26226209	SPRING						1	1.00
17		10120004		SPRINGSUSPENSION						1	
18	R	11100500	22952501	REVERSE FEED LEVER STOPPER						1	1.00
19	R	SS7111810SP	SS7111810TP	SCREW11/64-40L=18						1	1.00
20		PJ301065104		HALF UNION						1	
21		PX015101000		MUFFLER						1	
22		21348859		TOUCH BUCK SWITCH ASM.	EXCEPT JAPAN					1	
23		D1680141EA0		TOUCH BUCK SWITCH ASM.				*		1	
24		MAT81126T00		2-POLE PLUG COVER				*		1	
25		HK03464000B		PIN CONTACT				*		2	
26		HK034610140		HOUSING 14P				*		1	
27		EA9500B0000		CLIP CV-70S				*		1	
28		21348800		SWITCH FITTING PLATE				*		1	
29		SS7110840SP		SCREW 11/64-40 L=7.8	EXCEPT JAPAN					2	
30		21349105		CYLINDER PACKING						1	
31	D	21349055		TOUCH BUCK SWITCH B ASM.	FOR JAPAN					1	
32		D1680141EA0		TOUCH BUCK SWITCH ASM				*		1	
33		MAT81126T00		2-POLE PLUG COVER				*		1	
34		HK03464000B		PIN CONTACT				*		2	
35		HK034610140		HOUSING 14P				*		1	
36		EA9500B0000		CLIP CV-70S				*		1	
37		21349006		SWITCH FITTING PLATE B				*		1	
38		SS6110610TP		SCREW 11/64-40 L=6	FOR JAPAN					2	
39		WP0501016SD		WASHER 5X10.5X1						2	

THREAD TENSION COMPONENTS (FOR 1510-7)

No.	Supply Code	Parts No.	Replacement	Parts name	Remarks	Choice	Step	Level	Cons	Qty	Rep. QTY
1	D	21377668		THREAD TENSION ASM.						1	
2		21377650		TENSION POST BASE COMPL.				*		1	
3		10320109		SCREW STUD				*		1	
4	R	21378807	B3128520000	TENSION SPRING				*		1	1.00
5		B31375270A0		TAKE-UP SPRING GUIDE ASM.				*		1	
6		10320208		THRED TENSION STUD NUT				*		1	
7		SS3090710TP		SCREW 9/64-40 L=7				*		1	
8		B3127051000		TENSION RELEASE PIN, SHORT				*		1	
9	R	B3126012000	22921506	THREAD TENSION DISK				*		2	1.00
10		22617906		THREAD TENSION DISK PRESSER				*		1	
11		B3129053000		TENSION SPRING				*		1	
12		B3120125000		ROTATING STOPPER				*		1	
13		11956802		THREAD TENSION KNOB, BLUE				*		1	
14		10124204		THREAD TENSION POST, A				*		1	
15		10741106		FIRST THREAD TENSION PLATE				*		2	
16		D3168555H0B		TENSION SPRING NO.1				*		1	
17		11072402		THREAD TENSION NUT				*		1	
18		21378005		THREAD TENSION RELEASE PLATE				*		1	
19		SD0470281SP		HINGE SCREW D=4.7 H=2.8				*		2	
20		NS6110310SP		NUT 11/64-40				*		1	
21		SS7110910TP		SCREW 11/64-40 L= 8.5				*		2	
22		23006406		TENSION RELEASE BAR	SELECTIVE PARTS					1	
23		PS0600502KP		SPRING PIN						1	
24		21347950		THREAD TENSION ASM.						1	
25		SS7110570SP		SCREW 11/64-40 L= 4.8				*		2	
26		10320703		TENSION RELEASE SOLENOID				*		1	
27		SS6110480SP		SCREW 11/64-40 L=4.3						1	
28		21348206		TENSION RELEASE BAR	SELECTIVE PARTS					1	
29		10321107		TENSION RELEASE BAR	SELECTIVE PARTS					1	

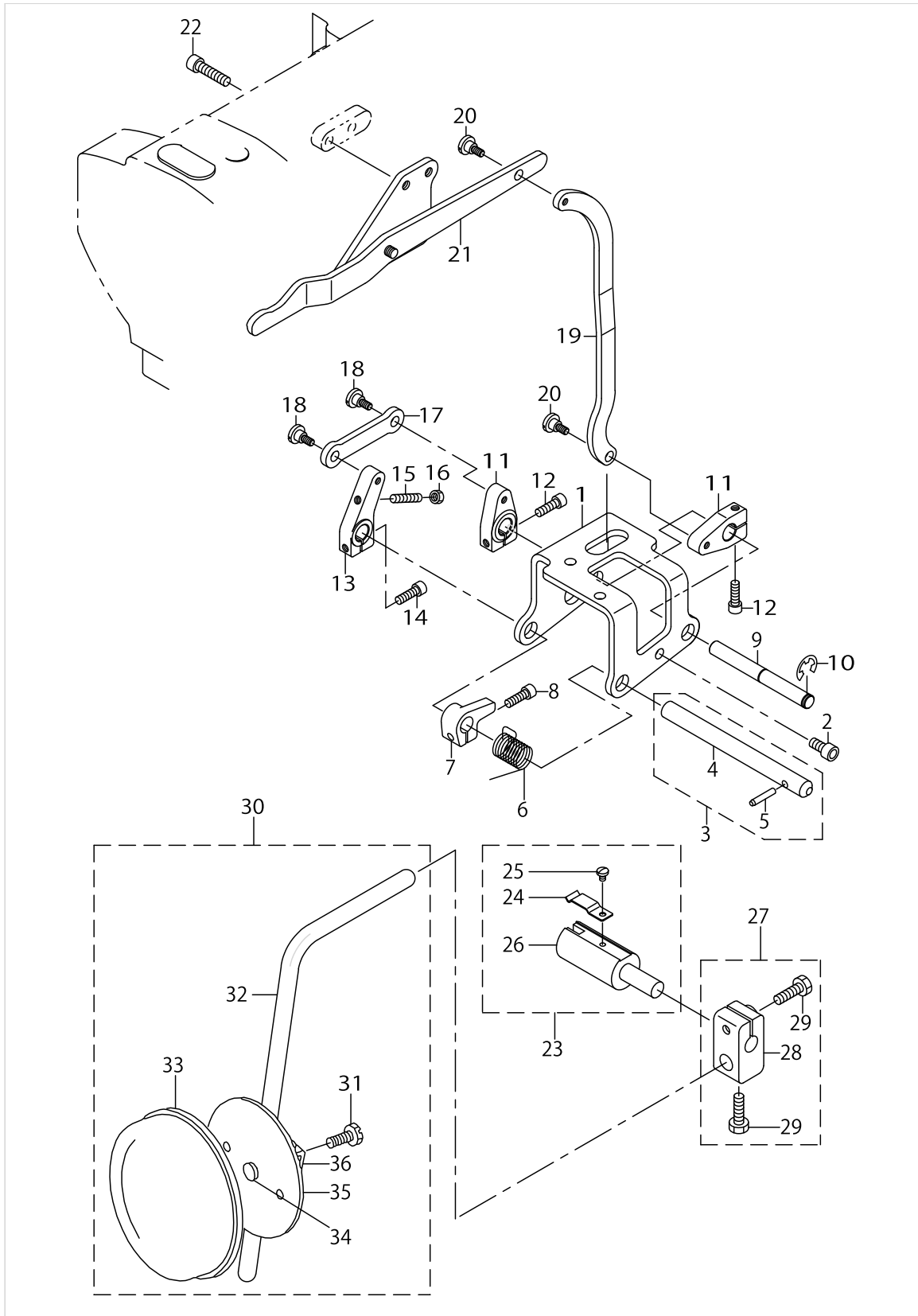
THREAD TENSION COMPONENTS (FOR LU-1510)



THREAD TENSION COMPONENTS (FOR LU-1510)

No.	Supply Code	Parts No.	Replacement	Parts name	Remarks	Choice	Step	Level	Cons	Qty	Rep. QTY
1		21377569		THREAD TENSION ASM.						1	
2	D	21377551		TENSION POST COMPL.				*		1	
3		10320109		SCREW STUD				*		1	
4	R	21378807	B3128520000	TENSION SPRING				*		1	1.00
5		B31375270A0		TAKE-UP SPRING GUIDE ASM.				*		1	
6	R	B3125012000	22928808	THREAD TENSION NUT				*		1	1.00
7		22618201		TENSION RELEASE PIN, A				*		2	
8		B3126051000		TENSION DISC				*		4	
9		22617906		THREAD TENSION DISK PRESSER				*		2	
10		B3129526000		TENSIONSPRING(1.2)				*		2	
11		B3120125000		ROTATING STOPPER				*		2	
12		11956802		THREAD TENSION KNOB, BLUE				*		2	
13		10124204		THREAD TENSION POST, A				*		1	
14		10741106		FIRST THREAD TENSION PLATE				*		2	
15		11045101		THREAD TENSION SPRING				*		1	
16		11072402		THREAD TENSION NUT				*		1	
17		B3134521000		TENSION RELEASE LEVER				*		1	
18		SS3090710TP		SCREW 9/64-40 L=7				*		1	
19		SD0470281SP		HINGE SCREW D=4.7 H=2.8				*		2	
20		NS6110310SP		NUT 11/64-40				*		1	
21		23006406		TENSION RELEASE BAR	SELECTIVE PARTS					1	
22		PS0600502KP		SPRING PIN						1	
23		SS7110910TP		SCREW 11/64-40 L= 8.5						2	
24		21348206		TENSION RELEASE BAR	SELECTIVE PARTS					1	
25		10321107		TENSION RELEASE BAR	SELECTIVE PARTS					1	

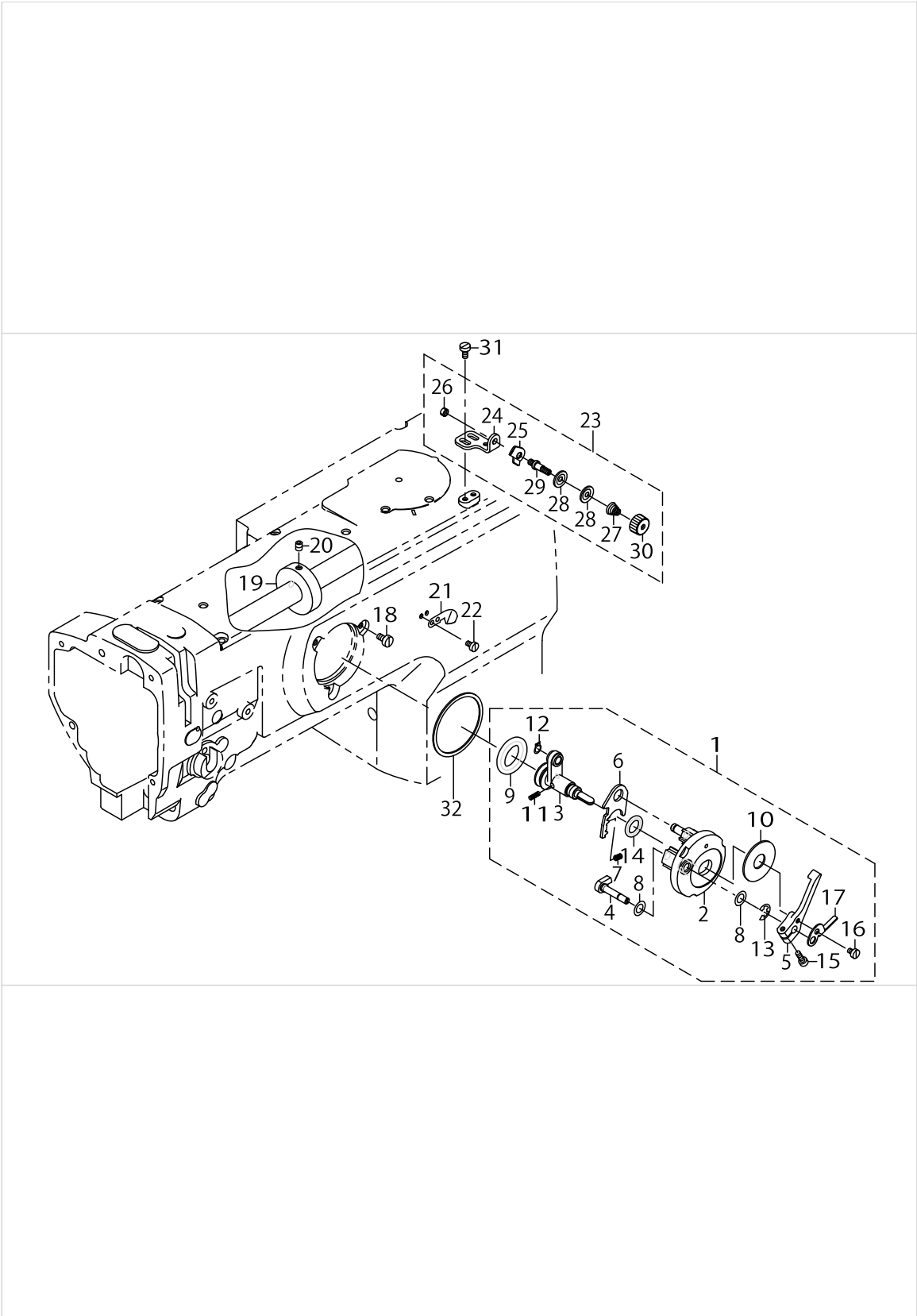
KNEE LIFTING COMPONENTS



KNEE LIFTING COMPONENTS

No.	Supply Code	Parts No.	Replacement	Parts name	Remarks	Choice	Step	Level	Cons	Qty	Rep. QTY
1		21343207		KNEE LIFTER SHAFT BASIS						1	
2		SM6061202TP		SCREW M6 L=12						3	
3		21342555		KNEE LIFTER SHAFT A ASM.						1	
4	R	21342506	21342555	KNEELIFTERSCHAFTA				*		1	1.00
5	R	21342605	21342555	KNEE LIFTER SHAFT PIN				*		1	1.00
6		21343702		KNEE LIFTER SHAFT A SPRING						1	
7		21343801		KNEE LIFTER SPRING RACK						1	
8		SM6051602TP		SCREW M5X0.8 L=16						1	
9		21342704		KNEELIFTERSCHAFTB						1	
10		RE0800000K0		E-SHAPED SNAP RING (8MM)						1	
11		21343009		KNEELIFTERLEVERB						2	
12		SM6051602TP		SCREW M5X0.8 L=16						2	
13		21342803		KNEELIFTERLEVERA						1	
14		SM6051602TP		SCREW M5X0.8 L=16						1	
15		SM8052502TP		SCREW M5X0.8 L=25						1	
16		NM6050001SD		NUT M5X0.8						1	
17		21342902		KNEE LIFTER LINK						1	
18		SD0700451TP		HINGE SCREW D=7 H=4.5						2	
19		21343405		KNEE LIFTER CONNECTING PLATE						1	
20		SD0700451TP		HINGE SCREW D=7 H=4.5						2	
21		21343355		KNEE LIFTER LEVER ASM.						1	
22		SM6062502TP		SCREW M6 L=25						2	
23		22863252		KNEE LIFTER JOINT ASM.						1	
24		B3428521000		PRESSER SPRING				*		1	
25		SS7090510SP		SCREW 9/64-40 L=4.6				*		1	
26	R	22863203	22863252	KNEE LIFTER JOINT				*		1	1.00
27		22932453		BRACKET ASM.						1	
28	R	22932404	22932453	BRACKET				*		1	1.00
29		22934707		SCREW				*		2	
30		21343157		KNEE PRESS PLATE ASM.						1	
31		SM9061203SE		SCREW M6 L=12				*		1	
32	R	21343108	21343157	KNEE PRESS LEVER				*		1	1.00
33		22934509		KNEE PAD PLATE COVER				*		1	
34		22934400		KNEE PAD PLATE RUBBER				*		1	
35		22934202		KNEE PAD PLATE				*		1	
36		22934301		KNEE PAD PLATE SUPPORT				*		1	

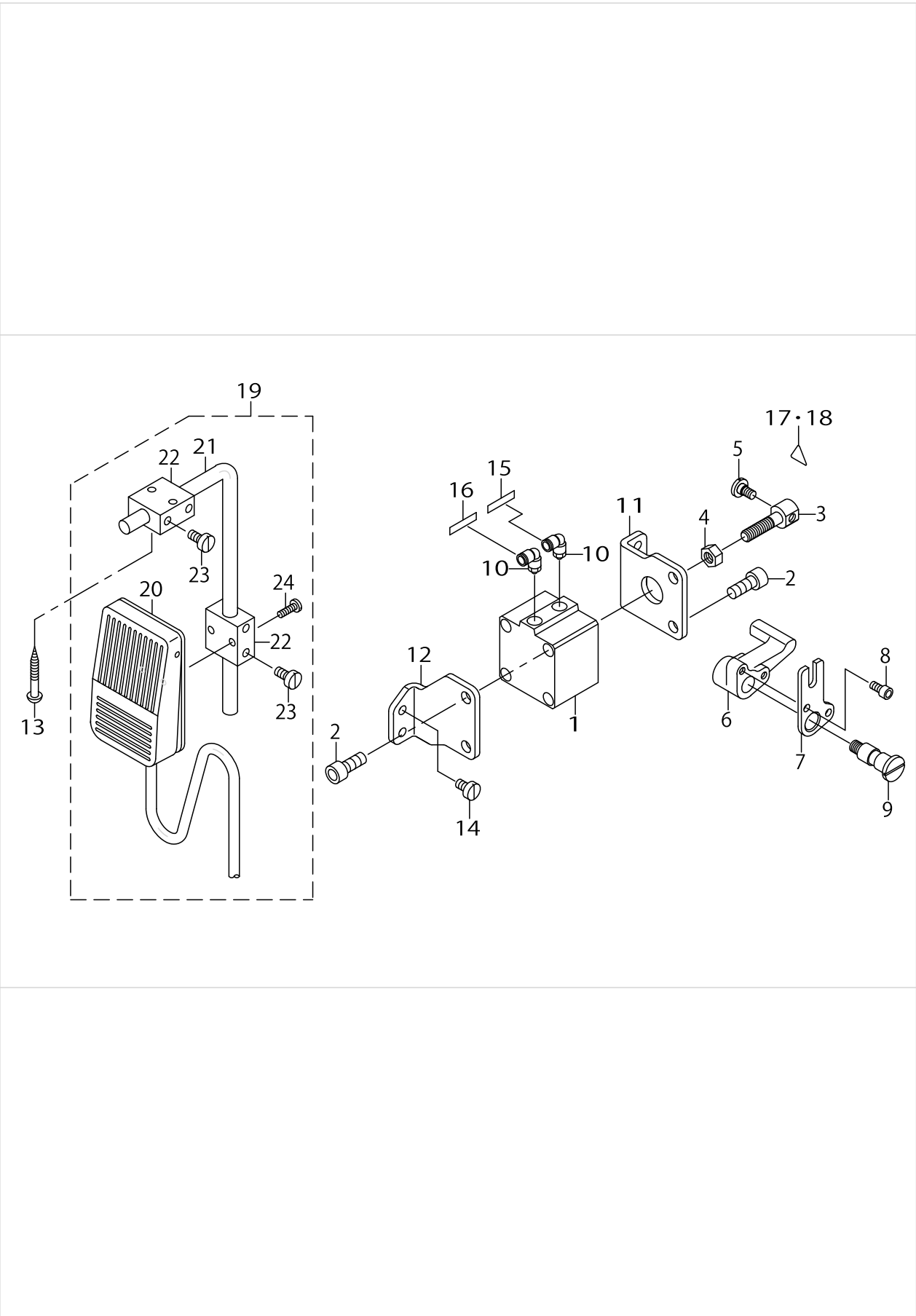
LOWER THREAD WINDER MECHANISM COMPONENTS



LOWER THREAD WINDER MECHANISM COMPONENTS

No.	Supply Code	Parts No.	Replacement	Parts name	Remarks	Choice	Step	Level	Cons	Qty	Rep. QTY
1		21357967		BOBBIN DEVICE ASM.						1	
2		22537658		BOBBIN FITTING BASIS COMPL.				*		1	
3		21357959		BOBIN SHAFT COMPL.				*		1	
4		22538151		BOBBIN CAM SHAFT COMPL.				*		1	
5		23636202		BOBBIN LEVER				*		1	
6		21356001		ADJUSTING PLATE				*		1	
7		B152989000CA		PRESSUR FOOT SPRING				*		1	
8		10618304		VERTICAL ROLLER WASHER				*		2	
9		A321600100A		RUBBER RING				*		1	
10		B3205210000		CUSHION				*		1	
11	R	B1148555000	22912109	SPRING				*		1	1.00
12		RC0560711KP		RETAINING RING				*		1	
13		RE0500000K0		E-RING				*		1	
14		RO092270200		RUBBER RING				*		1	
15		SS7091410SP		SCREW 9/64-40 L=13.5				*		1	
16		SS6090520SP		SCREW 9/64-40 L= 5.0				*		1	
17		14512503		BOBBIN ADJUSTING PLATE				*		1	
18		SS6110810TP		SCREW 11/64-40 L=8						3	
19		10704807		BOBBIN FRICTION WHEEL						1	
20		SM8050602TP		SCREW M5 L=6						2	
21		10502300		THREAD CUTTER						1	
22	R	SS6090620SP	SS6090620TP	SCREW 9/64-40 L=6						2	1.00
23		21355755		LOWER THREAD GUIDE ASM.						1	
24	R	21355706	21355755	FITTING BASE				*		1	1.00
25		D3162555B00		THREAD GUIDE				*		1	
26		NS6110310SP		NUT 11/64-40				*		1	
27		D3168555H0B		TENSION SPRING NO.1				*		1	
28	R	B3214047000	22945802	BOBBIN WINDER TENSION DISC				*		2	1.00
29	R	21378708	21355755	THREAD TENSION POST				*		1	1.00
30		11072402		THREAD TENSION NUT				*		1	
31		SM6040800SP		SCREW						2	
32		22538706		PACKING						1	

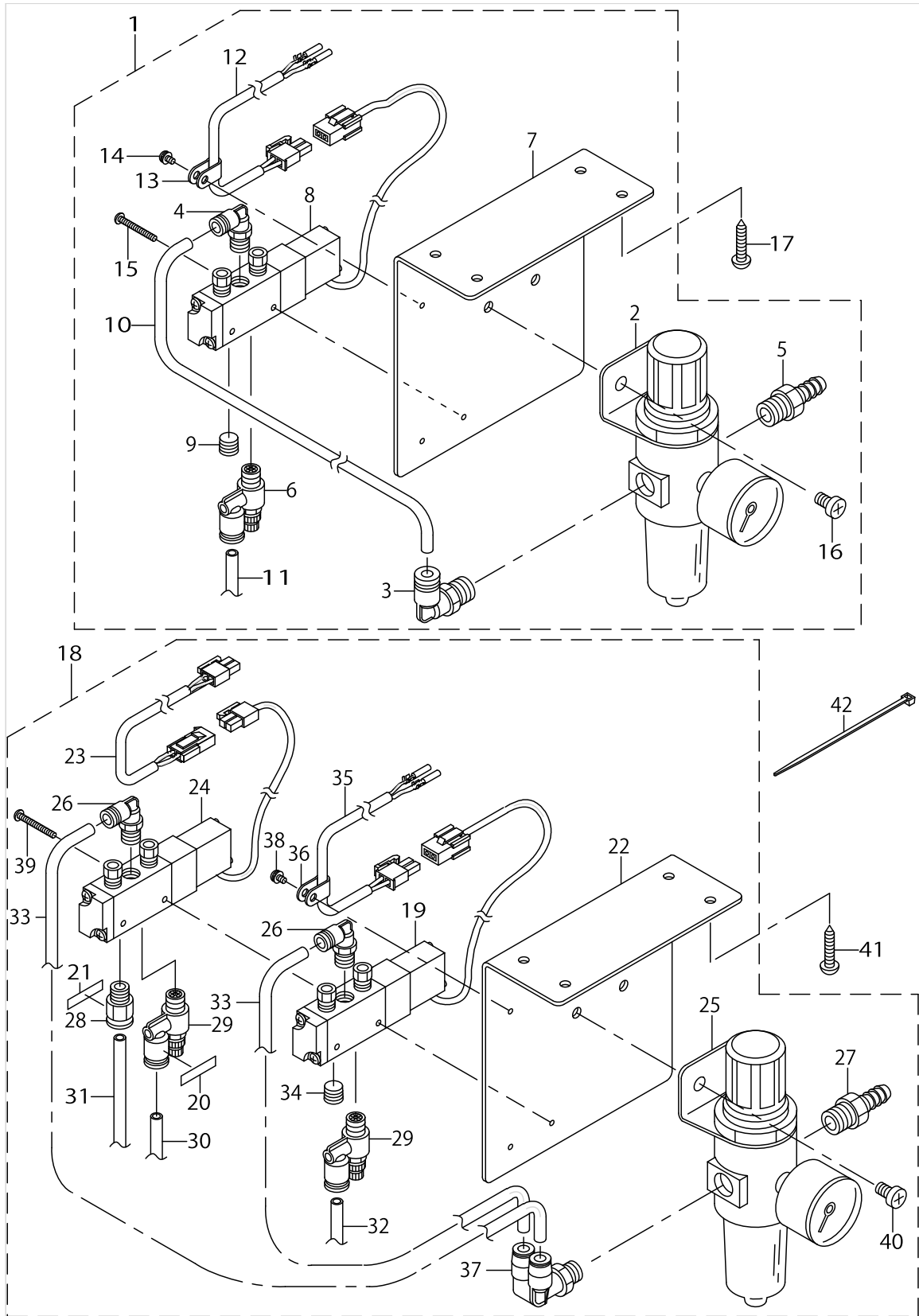
AUTOMATIC PRESSER LIFTING MECHANISM (OPTION) COMPONENTS



AUTOMATIC PRESSER LIFTING MECHANISM (OPTION) COMPONENTS

No.	Supply Code	Parts No.	Replacement	Parts name	Remarks	Choice	Step	Level	Cons	Qty	Rep. QTY
1		PA400150100		AIR CYLINDER						1	
2		SM6082002TP		SCREW M8 L=20						4	
3		21356506		CYLINDER CONNECTING SCREW						1	
4		NM6080001SE		NUT M8						1	
5		SD0720331SP		HINGE SCREW D= 7.24 H= 3.3						1	
6		21356605		LEVER A						1	
7		21356803		LEVER B						1	
8		SM6051002TP		SCREW M5X0.8 L=10						2	
9		21356704		SHAFT						1	
10		PJ304065102		ELBOW						2	
11		21356308		CYLINDER STAY(FRONT)						1	
12		21356407		CYLINDER STAY(REAR)						1	
13	R	SK3514000SC	SK3514001SE	WOOD SCREW D=5.1 L=40						2	1.00
14		SS6151040SP		SCREW15/64-28L=10						4	
15		HX002950000		WIRE MARK(1)						1	
16		HX00295000A		WIRE MARK(2)						1	
17		CM3002000B1		LABEL(16)	FOR JAPAN					1	
18		CM300200001		ATTENTION SEAL	EXCEPT JAPAN					1	
19		GAKA14040D0		KNEE SWITCH B ASM.						1	
20		GAKA14040B0		KNEE SWITCH B ASM.				*		1	
21		MAT80231T00		DRIVING BAR, T002				*		1	
22		MAT80230T00		KNEE SWITCH SUPPORT BASE				*		2	
23		SS6151220SP		SCREW 15/64-28 L=11.5				*		4	
24	R	SS7111410SP	SS7111410TP	SCREW11/64-40L=14				*		2	1.00

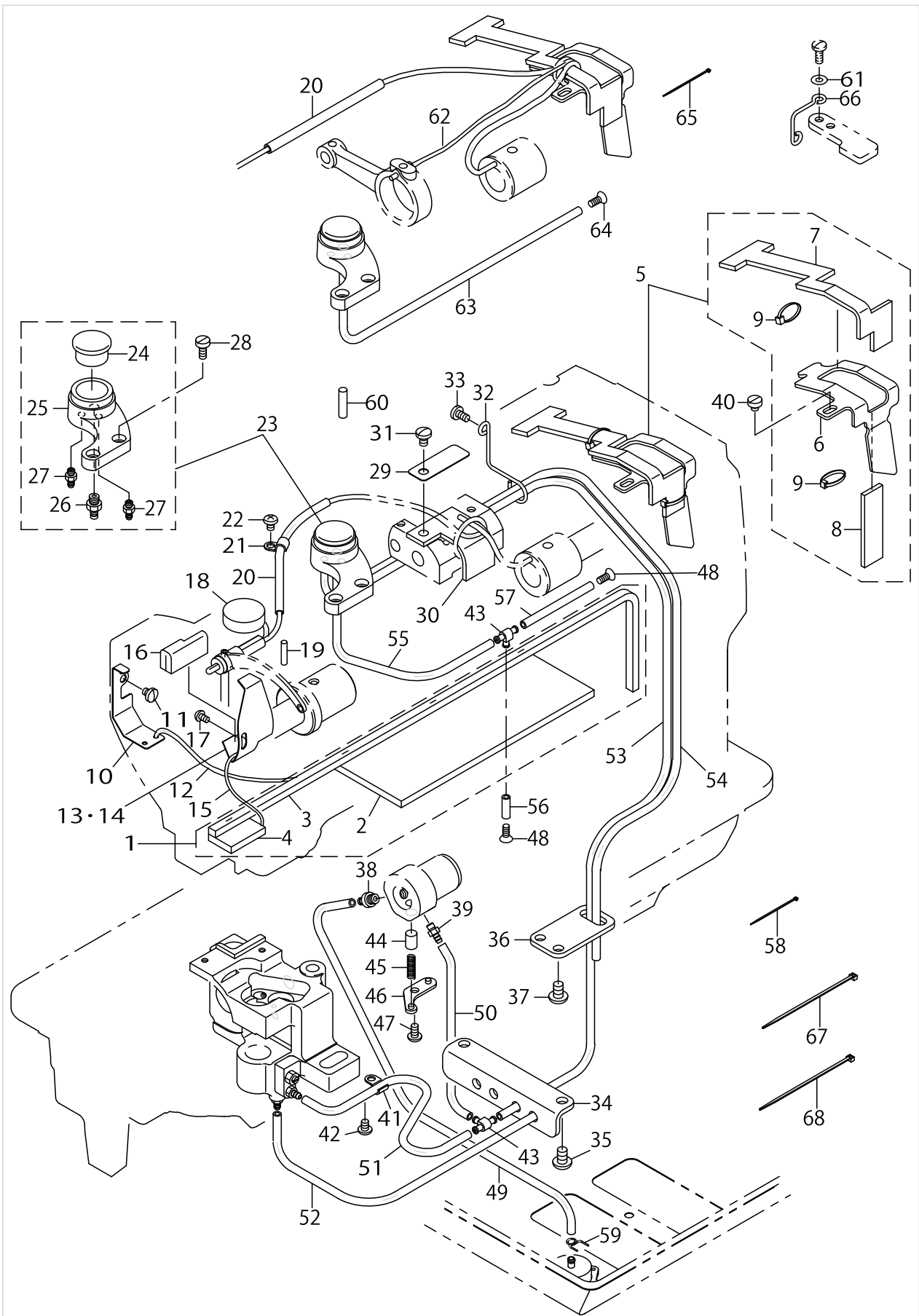
AIR MECHANISM COMPONENTS (FOR LU-1510-7)



AIR MECHANISM COMPONENTS (FOR LU-1510-7)

No.	Supply Code	Parts No.	Replacement	Parts name	Remarks	Choice	Step	Level	Cons	Qty	Rep. QTY
1		23105554		AIR COMPONENTS ASM.						1	
2		GAK29007000		FILTER REGULATOR				*		1	
3		GAK29009000		ELBOW				*		1	
4		GAK29010000		ELBOW B				*		1	
5		GAK29011000		NIPPLE				*		1	
6		GAK29016000		SPEED CONTROLLER				*		1	
7		GAKA1401000		SOLENOID VALVE MOUNTING PLATE				*		1	
8		GAKA17040A0		SOLENOID VALVE ASM.				*		1	
9		GHP03511000		PLUG 1/8				*		1	
10		BT0600401EB		TUBE				*		0.18	
11		BT0600401EB		TUBE				*		1.3	
12		GAKA17050A0		CORD ASM.				*		1	
13		HX001230000		CABLE CLIP				*		1	
14		SL4030691SC		SCREW M3X6				*		1	
15		SM4032501SB		SCREW M3X0.5 L=25.0				*		2	
16		SM4061001SB		SCREW M6 L=10				*		2	
17	R	SK3482500SC	SK3482501SE	WOOD SCREW D=4.8 L=25						4	1.00
18		GAKA17010A0		AIR COMPONENTS ASM.						1	
19		GAKA17040A0		SOLENOID VALVE ASM.				*		1	
20		HX002950000		WIRE MARK(1)				*		1	
21		HX00295000A		WIRE MARK(2)				*		1	
22		GAKA1401000		SOLENOID VALVE MOUNTING PLATE				*		1	
23		GAKA14020A0		CORD ASM.				*		1	
24		GAKA14030A0		SOLENOID VALVE ASM.				*		1	
25		GAK29007000		FILTER REGULATOR				*		1	
26		GAK29010000		ELBOW B				*		2	
27		GAK29011000		NIPPLE				*		1	
28		GAK29015000		JOINT A				*		1	
29		GAK29016000		SPEED CONTROLLER				*		2	
30		BT0600401EB		TUBE				*		1.3	
31		BT0600401EB		TUBE				*		1.3	
32		BT0600401EB		TUBE				*		1.3	
33		BT0600401EB		TUBE				*		0.18	
34		GHP03511000		PLUG 1/8				*		1	
35		GAKA17050A0		CORD ASM.				*		1	
36		HX00123000A		CABLE CLIP				*		1	
37		PJ309065202		JOINT				*		1	
38		SL4030691SC		SCREW M3X6				*		1	
39		SM4034001SN		SCREW M3 L=40				*		2	
40		SM4061001SB		SCREW M6 L=10				*		2	
41	R	SK3482500SC	SK3482501SE	WOOD SCREW D=4.8 L=25						4	1.00
42		EA9500B0100		CABLE BAND						3	

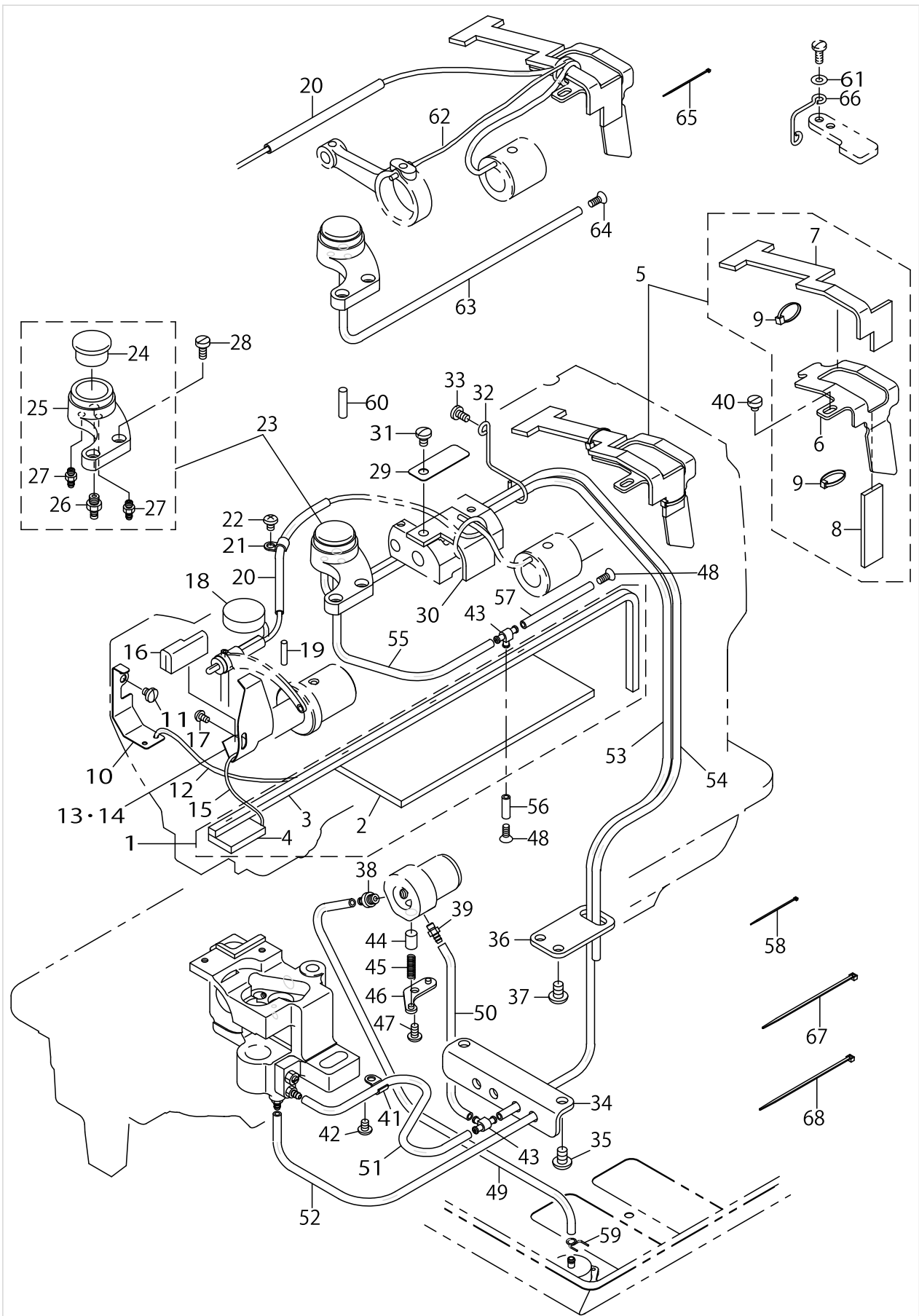
LUBRICATION COMPONENTS



LUBRICATION COMPONENTS

No.	Supply Code	Parts No.	Replacement	Parts name	Remarks	Choice	Step	Level	Cons	Qty	Rep. QTY
1		21345756		ARM ONCE THROU- GH OIL FELT ASM.						1	
2		21345707		ARM ONCE THROUGH FELT A				*		1	
3		21345806		FELT B				*		1	
4		21345905		FACE ONCE THROUGH FELT				*		1	
5		21346358		FELT SUPPORT ASM.						1	
6		21346309		FELT				*		1	
7		21346507		FEED CHANGE FELT				*		1	
8		21346408		FELT				*		1	
9		EA9500B0000		CLIP CV-70S				*		2	
10		21340708		UPPER FEED OIL BAR PLATE						1	
11		SS7110510SP		SCREW 11/64-40 L=5						1	
12		CQ202000000		OIL WICK						.2	
13		B1140051000		TAKE-UP OIL SPLASHER	FOR LU-1510					1	
14		21347000		TAKE-UP OIL PLATE	FOR LU-1510-7					1	
15		CQ202000000		OIL WICK						.2	
16		21347208		TAKE-UP LUBRICATION FELT						1	
17		SS3090610SP		SCREW 9/64-40 L=6						1	
18		21346002		FELT						1	
19		B1412051000		FELT						1	
20		BT0600402EA		OIL TUBE						.12	
21		B3538112000		OIL RETURN TUBE HOLDER						1	
22		SS4110615SP		SCREW 11/64-40 L=6						1	
23		21345657		ARM OIL TANK ASM.						1	
24		B3520586000		OIL SIGHT WINDOW				*		1	
25	R	21345608	21345657	ARM OIL TANK				*		1	1.00
26		SQ1110401MZ		CONNECTING SCREW				*		1	
27		SQ1150451MZ		CONNECTING SCREW				*		2	
28	R	SS6111010SP	SS6111010TP	SCREW 11/64-40 L= 9.5						2	1.00
29		21346101		LUBRICATION FELT PRESSER	FOR LU-1510-7					1	
30		21346200		MUTUAL VERTICAL CHANGE FELT	FOR LU-1510-7					1	
31		SS7120760SP		SCREW 3/16-28 L=7.0	FOR LU-1510-7					1	
32		21346606		PIPE SUPPORT						1	
33		SS7110830SP		SCREW 11/64-40 L= 7.5						1	
34		21345103		LUBRICATION BRACKET						1	
35		SS4150915SP		SCREW 15/64-28 L=9						2	
36		21345202		OIL PIPE STAY						1	
37		SS4150915SP		SCREW 15/64-28 L=9						2	
38		SQ1150451MZ		CONNECTING SCREW						1	
39		SQ1110401MZ		CONNECTING SCREW						1	
40		SS6110480SP		SCREW 11/64-40 L=4.3						1	
41		B3538112000		OIL RETURN TUBE HOLDER						1	
42		SS4110615SP		SCREW 11/64-40 L=6						1	
43		13765607		OIL CONNEC. ARM						2	
44		B3534155000		PLUNGER						1	
45		B1214038000		PLUNGER SPRING						1	
46		B3524552000		PLUNGER THRUST PLATE						1	

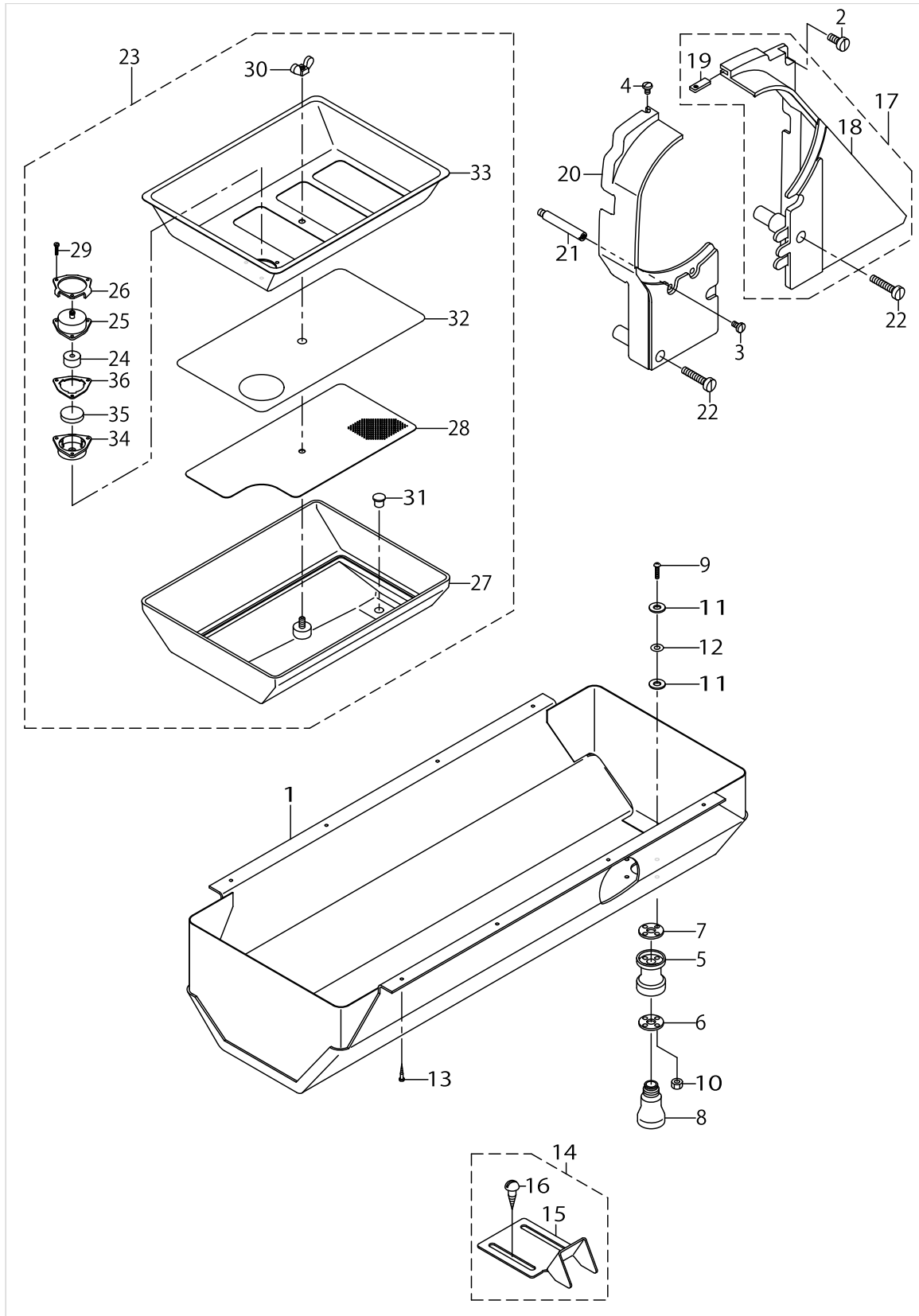
LUBRICATION COMPONENTS



LUBRICATION COMPONENTS

No.	Supply Code	Parts No.	Replacement	Parts name	Remarks	Choice	Step	Level	Cons	Qty	Rep. QTY
47		SS4110815SP		SCREW 11/64-40 L=8						1	
48	D	SM2041001SB		SCREW M4X0.7 L=10						2	
49		23630007		TUBE						.36	
50		23630007		TUBE						.08	
51		23630007		TUBE						.22	
52		23630007		TUBE						.35	
53		23630007		TUBE						.58	
54		23630007		TUBE						.46	
55		23630007		TUBE	FOR LU-1510-7					.13	
56		23630007		TUBE	FOR LU-1510-7					.02	
57		23630007		TUBE	FOR LU-1510-7					.06	
58		EA9500B0000		CLIP CV-70S						15	
59		10126803		OIL TUBE HOLDER						1	
60		PS0500202KP		SPRING PIN 5X20	FOR LU-1510					1	
61		WP0450801SD		WASHER 4.5X10X0.8	FOR LU-1510					1	
62		CQ202000000		OIL WICK	FOR LU-1510					.2	
63		BT0500300EA		OIL TUBE	FOR LU-1510					.2	
64	D	SM2041001SB		SCREW M4X0.7 L=10	FOR LU-1510					1	
65		EA9500B0000		CLIP CV-70S	FOR LU-1510					1	
66		22620504		OIL WICK HOLDER	FOR LU-1510					1	
67		EA9500B0100		CABLE BAND						1	
68		A407855000A		CLIP BAND						1	

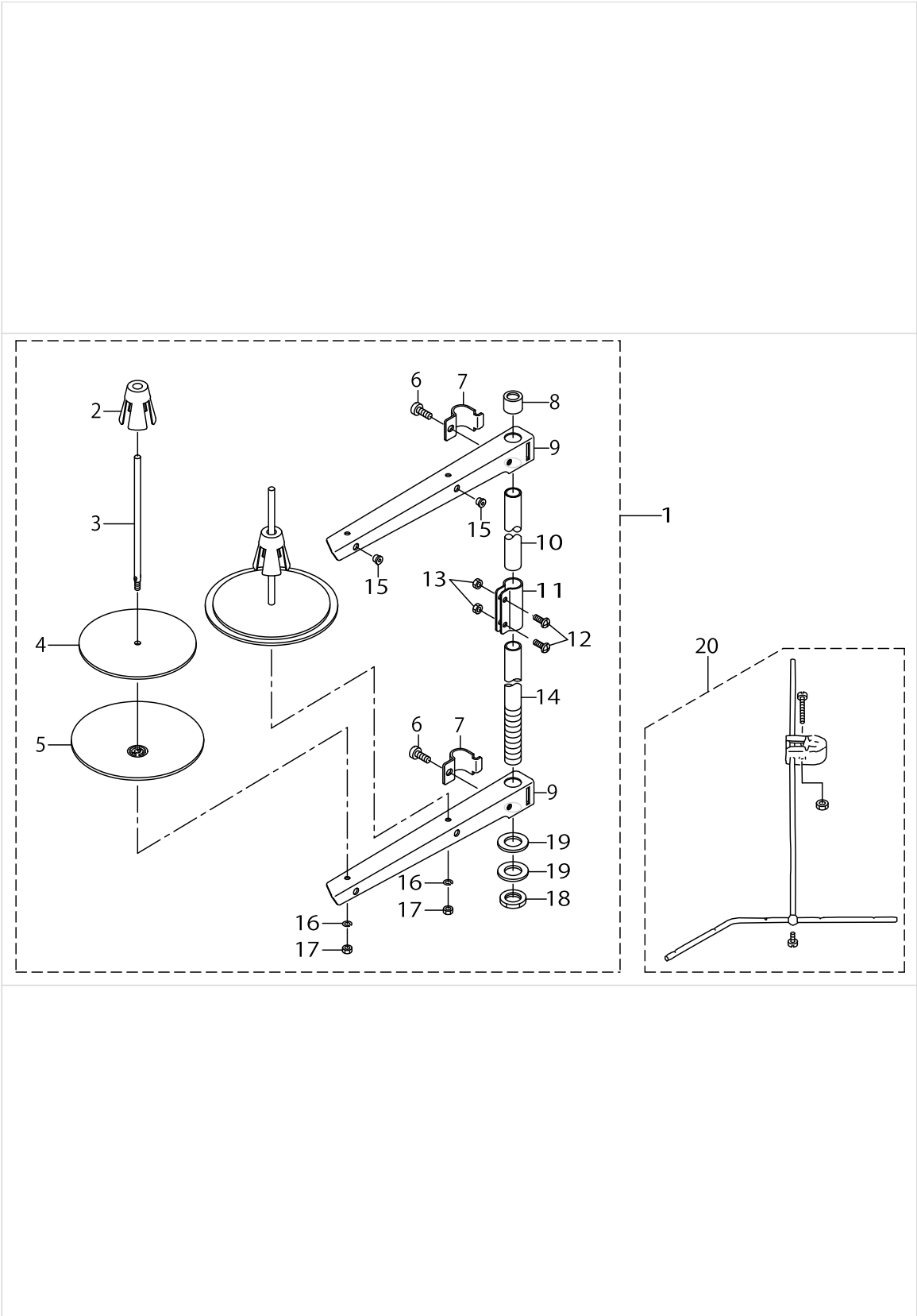
BELT COVER & OIL RESERVOIR COMPONENTS



BELT COVER & OIL RESERVOIR COMPONENTS

No.	Supply Code	Parts No.	Replacement	Parts name	Remarks	Choice	Step	Level	Cons	Qty	Rep. QTY
1		21351457		OIL RESERVOIR ASM.						1	
2		SS6151440SP		SCREW15/64-28L=14						1	
3		SS7110840SP		SCREW 11/64-40 L=7.8						1	
4		SS5110740TP		SCREW 11/64-40 L= 6.5						1	
5		B8202205000		OIL MANAGEMENT						1	
6		B8111220000		WASHER						1	
7		B8112220000		OIL SEAL						1	
8		B9121012000		OIL CAN						1	
9		SM3031401SE		SCREW M3X0.5 L=14						4	
10		NM6030001SC		NUT M3						4	
11		10748101		OIL REMOVING SET- SCREW PACKING						8	
12		WP0320501SC		WASHER M3						4	
13		SK3241601SC		WOOD SCREW D=2.4 L=16						8	
14		10755254		BELT COVER C ASM. (FOR JE)						1	
15		10755205		BELT COVER C(JE)				*		1	
16	R	SK3482500SC	SK3482501SE	WOOD SCREW D=4.8 L=25				*		2	1.00
17		21351150		BELT COVER ASM. (RIGHT)						1	
18	R	21351101	21351150	BELT COVER (RIGHT)				*		1	1.00
19		21351002		BELT COVER AUXILIARY PLATE				*		1	
20		21351200		BELT COVER (LEFT)						1	
21		D8232241E00		BELT COVER SUPPORT A						1	
22		SS6153040SP		SCREW15/64-28L=30						2	
23		21345350		OIL TANK ASM.						1	
24		10727303		FILTER				*		1	
25		10727204		FILTER CAP				*		1	
26		10753002		FILTER PLATE				*		1	
27		21345301		OIL TANK				*		1	
28		21346804		COVER(LOWER)				*		1	
29		SM6021000TP		SCREW				*		3	
30		NM9050001SC		WING NUT M5X0.8				*		1	
31		TA0800704R0		RUBBER PLUG				*		1	
32		21346903		FILTER				*		1	
33		21346705		COVER(REAR)				*		1	
34		21345509		FILTER CASE				*		1	
35		B8228125000		OIL RESERVOIR MAGNET				*		1	
36		10739209		FILTER PACKING				*		1	

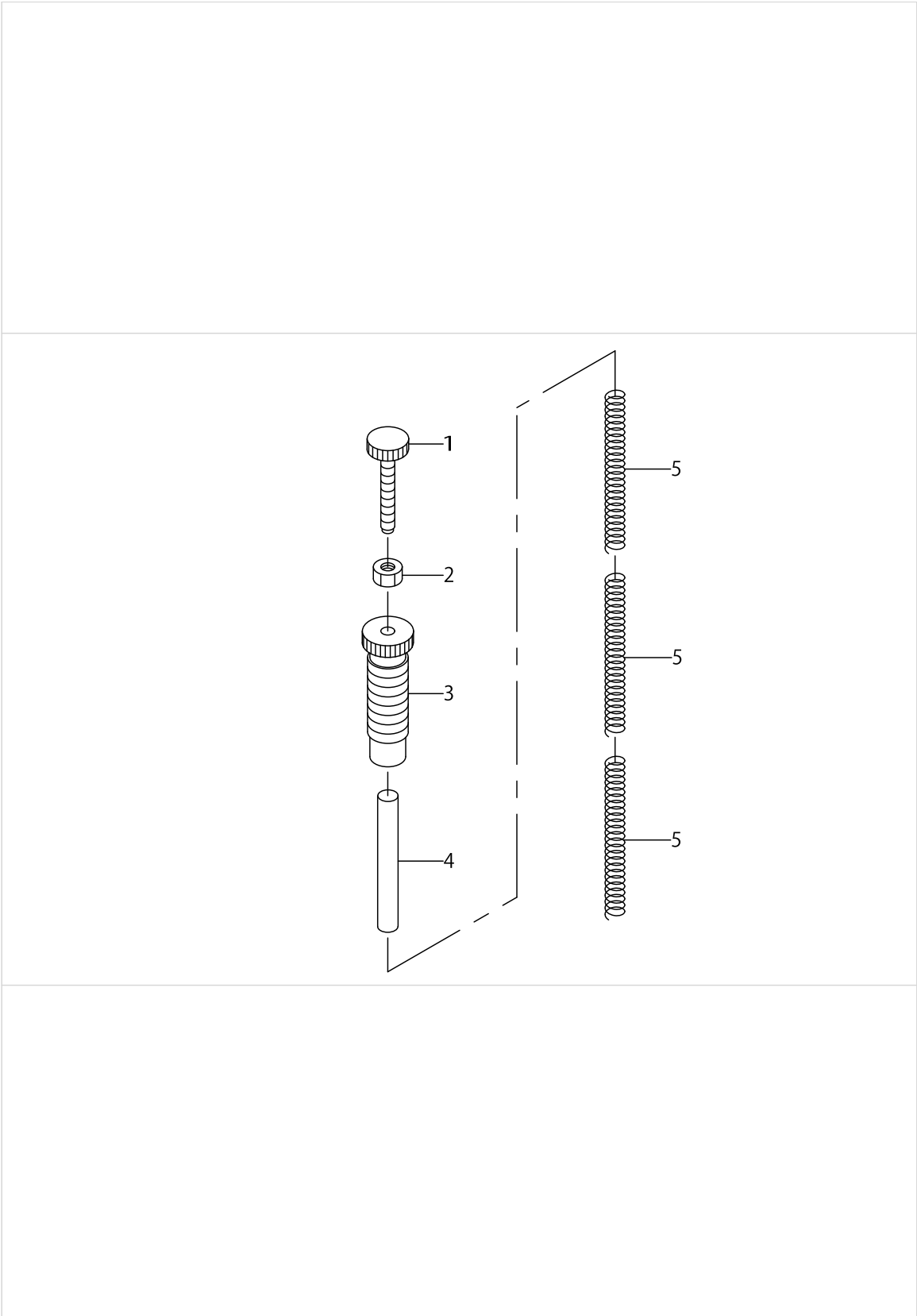
THREAD STAND COMPONENTS



THREAD STAND COMPONENTS

No.	Supply Code	Parts No.	Replacement	Parts name	Remarks	Choice	Step	Level	Cons	Qty	Rep. QTY
1	R	22930358	40096354	THREAD STAND ASM.						1	1.00
2	R	22931109	40085791	SPOOL RETAINER				*		2	1.00
3	R	22931000	40085790	SPOOL PIN				*		2	1.00
4		22930903		SPOOL REST CUSHION				*		2	
5		22930804		SPOOL REST				*		2	
6		SM6061610SC		SCREW M6 L=16				*		2	
7	R	22930705	40096354	THREAD GUIDE ARM JOINT				*		2	1.00
8		22931406		SPOOL REST ROD RUBBER CAP				*		1	
9	R	22930507	40096354	SPOOL REST ARM				*		2	1.00
10	R	22930408	40096354	SPOOL REST ROD, UPPER				*		1	1.00
11	R	22931307	40096354	SPOOL REST ROD JOINT				*		1	1.00
12		SM4051405SE		SCREW M5 L=14				*		2	
13		NM6050001SE		NUT M5				*		2	
14	R	22930309	40096354	SPOOL REST ROD, LOWER				*		1	1.00
15		22931208		THREAD GUIDE				*		2	
16		WS0510002KN		SPRING WASHER				*		2	
17		NM6050001SE		NUT M5				*		2	
18		NM6160511SE		NUT M16X1.5				*		1	
19		WP1702600S0		WASHER 17X30X2.6				*		2	
20	R	B33097040A0	26910059	THREAD GUIDE ARM ASM.	FOR LU-1510-7					1	1.00

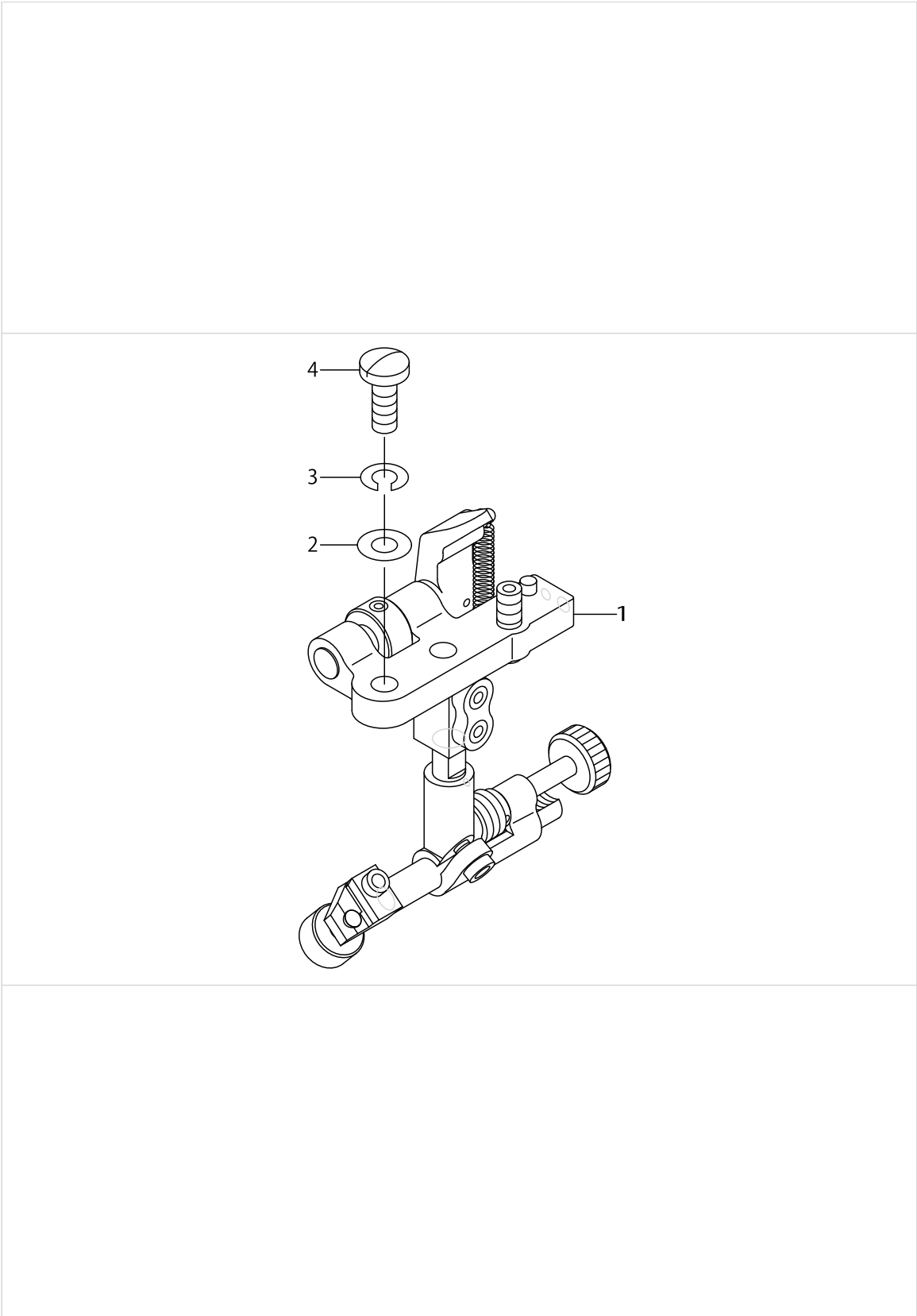
OPTIONAL PARTS (ADDITIONAL SPRING FOR PRESSER BAR) COMPONENTS



OPTIONAL PARTS (ADDITIONAL SPRING FOR PRESSER BAR) COMPONENTS

No.	Supply Code	Parts No.	Replacement	Parts name	Remarks	Choice	Step	Level	Cons	Qty	Rep. QTY
1		21006507		ADJUST SCREW B						1	
2		NS6110530SP		NUT 11/64-40						1	
3		21006408		ADJUST SCREW A						1	
4		21342407		GUIDE SHAFT						1	
5		21006002		ADJUST SPRING B						3	

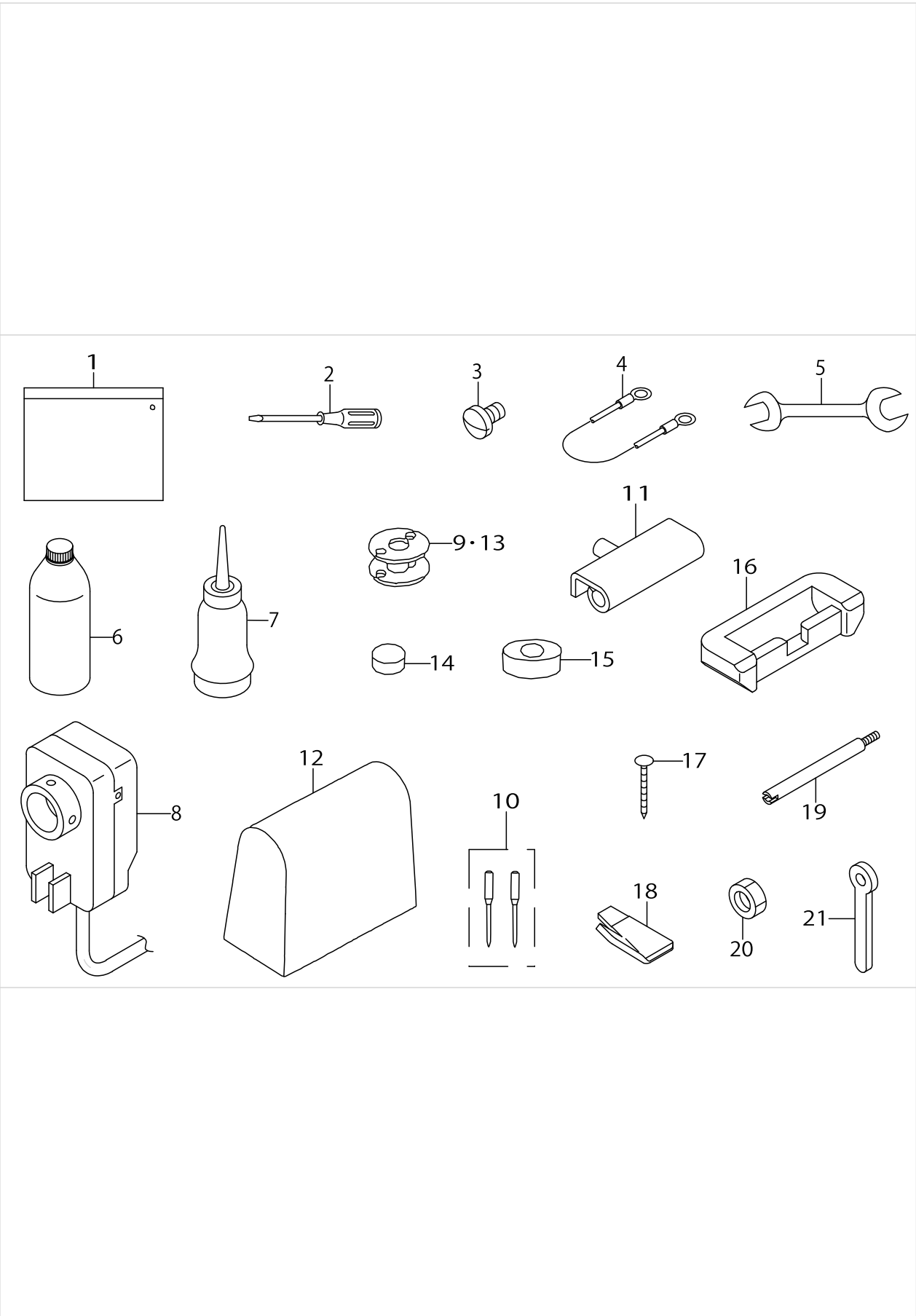
SUSPENSION SQUARE (OPTION) COMPONENTS



SUSPENSION SQUARE (OPTION) COMPONENTS

No.	Supply Code	Parts No.	Replacement	Parts name	Remarks	Choice	Step	Level	Cons	Qty	Rep. QTY
1		MAH152010A0		RULER						1	
2		WP0621016SD		WASHER 6.2X13X1						2	
3		WS0610002KN		SPRING WASHER 6.1X12.2X1.5						2	
4		SS7151610SP		SCREW15/64-28L=16						2	







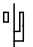


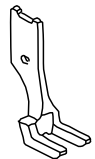

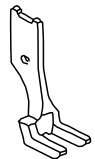




ACCESSORIES PARTS COMPONENTS



ACCESSORIES PARTS COMPONENTS

No.	Supply Code	Parts No.	Replacement	Parts name	Remarks	Choice	Step	Level	Cons	Qty	Rep. QTY
1		21413158		ACCESSORY BOX						1	
2		22933006		SCREW DRIVER,LARGE						1	
3		SS7110710SP		SCREW 11/64-40 L=7	FOR LU-1510-7					1	
4		10741759		GROUND WIRE ASM.	FOR LU-1510-7					1	
5		B9113012000		WRENCH (9X10)						1	
6		MDFRX2700C0		NEW DEFRIX OIL NO.2(700CC)						1	
7		J1067000000		OILER						1	
8	D	MSCM80000A0		SYNCHRONIZERASM.	FOR LU-1510-7					1	
9		B9117563000		BOBBIN	FOR LU-1510					1	
10	R	MC372001602	MC372001600	NEEDLE SY3355 #160-2						1	1.00
11	R	B8213125AA0	22958052	HINGE ASM.						2	1.00
12	R	10529808	22933303	COVER						1	1.00
13		21334800		ALUMINUM BOBBIN WITH KNURL	FOR LU-1510-7					1	
14		B8206012000		FELT CUSHION						4	
15		B8209012000		RUBBER CUSHION						4	
16		11075801		RUBBER SPACER						2	
17		B8210012000		CUSHION SET NAIL						8	
18		10742203		FIXED SURGICAL KNIFE GAUGE	FOR LU-1510-7					1	
19		D7101245E00		SYNCHRONIZER HOLDER STUD	FOR LU-1510-7					1	
20		NS6150430SP		NUT 15/64-28	FOR LU-1510-7					1	
21		B9109246000		DETECTOR SUPPORT PLATE	FOR LU-1510-7					1	

OPTIONAL PARTS COMPONENTS (1)

	Item	Walking foot	Item	Presser foot						
	品名	中足	品名	外足						
For piping パイピング用	 (Commonly used for every size of presser foot) (各サイズ共用)									
					Ref.No.	Part No.	Size(mm)	Ref.No.	Part No.	
					1	B1478-245-000	4.4mm(5/32)	12	B1530-245-OAC	
							4.8mm(3/16)	13	B1530-245-OAD	
							6.4mm(1/4)	14	B1530-245-OAF	
							7.9mm(5/16)	15	B1530-245-OAH	
			9.5mm(3/8)	16	B1530-245-OAK					
										
					Size(mm)	Ref.No.	Part No.	Size(mm)	Ref.No.	Part No.
					4.4mm(5/32)	2	B1478-245-000	4.4mm(5/32)	17	B1531-245-OAC
4.8mm(3/16)					3	B1479-245-00D	4.8mm(3/16)	18	B1531-245-OAD	
6.4mm(1/4)					4	B1479-245-00F	6.4mm(1/4)	19	B1531-245-OAF	
7.9mm(5/16)					5	B1479-245-00H	7.9mm(5/16)	20	B1531-245-OAH	
9.5mm(3/8)			9.5mm(3/8)							
										
				Size(mm)	Ref.No.	Part No.	Size(mm)	Ref.No.	Part No.	
				4.4mm(5/32)	6	B1474-245-00C	4.4mm(5/32)	21	B1527-245-OAC	
				4.8mm(3/16)	7	B1474-245-00D	4.8mm(3/16)	22	B1527-245-OAD	
				6.4mm(1/4)	8	B1474-245-00F	6.4mm(1/4)	23	B1527-245-OAF	
				7.9mm(5/16)	9	B1474-245-00H	7.9mm(5/16)	24	B1527-245-OAH	
9.5mm(3/8)	10	B1474-245-00K	9.5mm(3/8)	25	B1527-245-OAK					
	 (With teeth) (歯付き)		 (With teeth) (歯付き)							
					Ref.No.	Part No.	Ref.No.	Part No.		
	11	103-38309	26	B1525-563-SA0						

OPTIONAL PARTS COMPONENTS (1)

No.	Supply Code	Parts No.	Replacement	Parts name	Remarks	Choice	Step	Level	Cons	Qty	Rep. QTY
1		B1478245000		INNER PRESSER						1	
2		B1478245000		INNER PRESSER						1	
3		B147924500D		CENTER PRESSER FOOT 3/16						1	
4		B147924500F		BACK CUT INNER PRESSER 1/4						1	
5		B147924500H		BACK CUT INNER PRESSER 5/16						1	
6		B147424500C		INNER PRESSER 5/32						1	
7		B147424500D		INNER PRESSER (BLADE) 3/16						1	
8		B147424500F		WALKING FOOT, F						1	
9		B147424500H		INNER PRESSER 5/16						1	
10		B147424500K		CENTER PRESSER FOOT 3/8						1	
11	D	10338309		UPPER FEED FOOT						1	
12		B15302450AC		OUTER PRESSER ASM. 5/32						1	
13		B15302450AD		OUTER PRESSER FOOT ASM.,3/16.						1	
14		B15302450AF		OUTER PRESSER FOOT 1/4 ASM.						1	
15		B15302450AH		OUTER PRESSER F- OOT ASM. (5/16)						1	
16		B15302450AK		OUTER PRESSER FOOT ASM. (3/8)						1	
17		B15312450AC		OUTER PRESSER ASM. 5/32						1	
18		B15312450AD		OUTER PRESSER FOOT ASM. 3/16						1	
19		B15312450AF		OUTER PRESSER ASM., 1/4						1	
20		B15312450AH		FEEDING FRAME 5/16 ASM.						1	
21		B15272450AC		OUTER PRESSER FOOT ASM. 5/32						1	
22		B15272450AD		FEEDING FRAME 3/16 ASM.						1	
23		B15272450AF		OUTER PRESSER ASM., 1/4						1	
24		B15272450AH		OUTER PRESSER FOOT ASM. 5/16						1	
25		B15272450AK		OUTER PRESSER FOOT ASM.3/8						1	
26		B1525563SA0		PRESSER FOOT ASM.						1	

OPTIONAL PARTS COMPONENTS (2)

Item	Walking foot	Presser foot	Item	Walking foot	Presser foot	
品名	中足	外足	品名	中足	外足	
Ref.No.	1	6	Ref.No.	10	11	
Part No.	MAQ-09307000	MAQ-093080A0	Part No.	B1470-245-000	B1524-245-0A0	
Ref.No.	2					
Part No.	MAN-10452000					

OPTIONAL PARTS COMPONENTS (2)

No.	Supply Code	Parts No.	Replacement	Parts name	Remarks	Choice	Step	Level	Cons	Qty	Rep. QTY
1		MAQ09307000		WALKING FOOT						1	
2		MAN10452000		UPPER FEED FOOT						1	
3		B147624500A		INNER PRESSER						1	
4		10325306		WALKING FOOT						1	
5	D	10326205		UPPER FEED FOOT						1	
6		MAQ093080A0		PRESSER FOOT ASM.						1	
7		B15292450AA		OUTER PRESSER FOOT ASM., RIGHT						1	
8		10325157		PRESSER FOOT ASM.						1	
9		10326304		PRESSER FOOT						1	
10	R	B1470245000	B14702450A0	WALKING FOOT						1	1.00
11		B15242450A0		PRESSER FOOT ASM.						1	
12		B1840051000		FEED DRIVING ECCENTRIC						1	
13	R	21378104	21378153	FEED DRIVING ECCENTRIC						1	1.00

HOW TO MAKE USE OF THIS PARTS LIST

1.Explanation of codes

1)"*"mark.....means this part is changed from the previous parts book.

As to the details of the change, refer to the "List for information of change".

2)"#01".....refer to "Note" explanation at bottom of page.

2.Codes on the "Qty" column

- Each numeral indicates the number of parts required.
- "0.1" and "2.5" indicate the length (in meters) of the respective parts.

3.Parentheses mean that the corresponding part is a subpart that constructs an assembly part.

4.Dotted lines on the Figures indicate assembly parts.

1."注記"欄の記号説明

1) "*"印.....前回のパーツブックに比較して今回変更された部品を意味します。

変更内容は、"変更情報リスト"を参照してください。

2) "#01".....ページ下の"注記"の説明を参照してください。

2.数量欄の数字は、個数を表し、0.1、2.5等の数値は、長さ（単位メートル）を表します。

3.数量欄の（ ）は、組部品を構成している子部品であることを意味します。

4.イラストページの-----枠は、組構成であることを意味します。

NUMERICAL INDEX OF PARTS

PART NO	PAGE	REF NO.	PART NO	PAGE	REF NO.	PART NO	PAGE	REF NO.
10004109	2	45	10704906	6	27	17912106	2	26
10107902	18	3	10713501	14	75	21006002	52	5
10109700	24	13·45~ 52	10713766	14	81	21006408	52	3
10109809	24	13·45~ 52	10713808	14	83	21006507	52	1
10109908	22	16	10714202	14	70	21048707	14	88
10110906	24	13·45~ 52	10714509	14	84	21331202	2	11
10111003	24	13·45~ 52	10714608	14	85	21331301	2	4
10111102	22	13·45~ 52	10715001	14	61	21331558	2	1
10111201	24	13·45~ 52	10715100	14	60	21331608	2	18
10112407	22	17	10715308	14	66	21331756	2	8
10112506	24	13·45~ 52	10715704	14	62	21331806	2	12
10112605	24	13·45~ 52	10716504	14	76	21331905	4	49
10112704	24	13·45~ 52	10718203	14	69	21332002	2	13
10116804	26	21	10726305	26	1	21332101	4	50
10120004	30	17	10726404	26	6	21332200	2	46
10124204	32	14	10726909	26	7	21332309	2	16
10124204	34	13	10727204	48	25	21332507	6	13
10126803	46	59	10727303	48	24	21332705	6	1
10201200	4	53	10739209	48	36	21332804	6	29·63
10205201	18	20	10741106	32	15	21333000	6	2
10308609	10	11	10741106	34	14	21333109	6	18
10320109	32	3	10741759	56	4	21333208	6	3
10320109	34	3	10742203	56	18	21333307	8	6·57
10320208	32	6	10748101	48	11	21333406	8	60
10320703	32	26	10753002	48	26	21333505	6	31
10321107	32	22·28·29	10755205	48	15	21333604	22	25
10321107	34	21·24·25	10755254	48	14	21333703	8	48·62
10325157	60	8	10774305	14	58	21333802	8	44·58
10325306	60	4	10774354	14	57	21333901	8	48·62
10326205	60	5	10774404	14	59	21334008	8	29·63
10326304	60	9	11006509	14	49	21334552	22	23·30·59
10337905	14	56	11009909	20	44	21334701	22	15
10338309	58	11	11045101	34	15	21334800	22	24·60
10502300	38	21	11052701	20	46	21334800	56	9·13
10503605	6	38	11072402	32	17	21334909	22	2·54
10509701	12	22	11072402	34	16	21335104	24	1·53
10529808	56	12	11072402	38	30	21335203	22	1·53
10618304	38	8	11075801	56	16	21335500	22	6·55
10704807	38	19	11100500	30	18	21335708	22	7·56
			11956802	32	13	21335807	22	10·57
			11956802	34	12	21336003	18	2
			13514310	12	29	21336052	18	1
			13515606	30	16	21336300	20	60
			13765607	44	43	21336508	6	21
			14512503	38	17	21336557	6	20

NUMERICAL INDEX OF PARTS

PART NO	PAGE	REF NO.	PART NO	PAGE	REF NO.	PART NO	PAGE	REF NO.
21336607	20	49	21341300	12	28	21347406	10	30
21336656	20	48	21341508	14	68	21347950	32	24
21336706	20	53	21341607	14	65	21348206	32	22·28·29
21336805	20	41	21341904	12	4	21348206	34	21·24·25
21337209	18	38	21342407	52	4	21348503	30	6
21337308	18	33	21342506	36	4	21348602	30	4
21337407	18	26	21342555	36	3	21348701	30	8
21337506	18	23	21342605	36	5	21348800	30	28
21337605	18	35	21342704	36	9	21348859	30	22
21337704	18	24	21342803	36	13	21348909	4	67
21337803	16	92	21342902	36	17	21349006	30	37
21337803	18	27	21343009	36	11	21349055	30	31
21337902	18	31	21343108	36	32	21349105	30	30
21338009	18	36	21343157	36	30	21349204	20	42·68·70
21338207	20	54	21343207	36	1	21349303	20	42·68·70
21338306	18	29	21343355	36	21	21349600	2	38
21338405	10	7·32	21343405	36	19	21349709	2	39·54
21338504	10	33	21343504	14	48	21349808	4	39·54
21338603	10	18	21343702	36	6	21351002	48	19
21338702	10	16	21343801	36	7	21351101	48	18
21338801	10	20	21345103	44	34	21351150	48	17
21338900	10	22	21345202	44	36	21351200	48	20
21339007	10	28	21345301	48	27	21351457	48	1
21339056	10	27	21345350	48	23	21353008	8	55
21339106	6	8	21345509	48	34	21353602	26	35
21339205	10	26	21345608	44	25	21353701	26	18
21339304	10	25	21345657	44	23	21353750	26	17
21339403	10	2	21345707	44	2	21353800	26	25
21339502	6	16	21345756	44	1	21353859	26	22
21339601	14	71	21345806	44	3	21353909	26	23
21339700	14	73	21345905	44	4	21354006	26	20
21339809	14	79	21346002	44	18	21354105	26	31
21339908	12	12	21346101	44	29	21354204	26	32
21340005	14	87	21346200	44	30	21354402	26	37
21340104	12	31	21346309	44	6	21354501	26	15
21340203	12	36	21346358	44	5	21354600	26	42
21340302	14	90	21346408	44	8	21354709	26	45
21340401	12	1	21346507	44	7	21354808	26	5
21340500	12	2	21346606	44	32	21354857	26	4
21340708	44	10	21346705	48	33	21354907	26	12
21340807	12	19	21346804	48	28	21355102	26	41
21340906	12	42	21346903	48	32	21355706	38	24
21341003	12	40	21347000	44	13·14	21355755	38	23
21341052	12	39	21347109	12	13	21355805	2	20
21341151	14	46	21347208	44	16	21355904	2	6

NUMERICAL INDEX OF PARTS

PART NO	PAGE	REF NO.	PART NO	PAGE	REF NO.	PART NO	PAGE	REF NO.
21356001	38	6	22620504	46	66	A407855000A	46	68
21356308	40	11	22620801	28	50	B1109563000	2	36
21356407	40	12	22651202	2	30	B1111563000	2	34
21356506	40	3	22656003	30	14	B1129051000	2	22
21356605	40	6	22656102	30	12	B1132521000	2	27
21356704	40	9	22814909	10	36	B1140051000	44	13-14
21356803	40	7	22814909	12	11	B1148555000	38	11
21357561	16	94	22814909	20	69	B1203512000	6	26
21357959	38	3	22863203	36	26	B1210051000	6	11
21357967	38	1	22863252	36	23	B1214019000	6	32
21364104	18	10	22877609	4	47	B1214038000	44	45
21377551	34	2	22904106	12	7	B1305055000A	6	33
21377569	34	1	22904106	18	18	B1307055000	6	34
21377650	32	2	22904155	12	6	B1308055000	6	35
21377668	32	1	22904155	18	17	B1309055000	6	36
21378005	32	18	22912109	20	47	B1310055000	6	37
21378104	22	31-33	22930309	50	14	B1312563000A	6	44-58
21378104	60	13	22930358	50	1	B1313055000	8	47
21378203	20	57	22930408	50	10	B1314055000	6	39
21378302	12	5	22930507	50	9	B1401053000	10	7-32
21378302	18	13	22930705	50	7	B1410771000	10	24
21378401	22	14-58	22930804	50	5	B1411053000	10	8
21378500	24	14-58	22930903	50	4	B1412051000	10	10
21378708	38	29	22931000	50	3	B1412051000	44	19
21378807	32	4	22931109	50	2	B1414232000	10	23
21378807	34	4	22931208	50	15	B1414555000	12	21
21408505	2	25	22931307	50	11	B1418761000	20	50
21408554	2	24	22931406	50	8	B1420563000	10	1
21413158	56	1	22932404	36	28	B1437051000	10	35
22537658	38	2	22932453	36	27	B1462053000	14	47
22538151	38	4	22933006	56	2	B1465053000	12	23
22538706	38	32	22934202	36	35	B1466563000	12	24
22602601	4	57	22934301	36	36	B14670530A0	12	25
22604300	6	25	22934400	36	34	B1467563000	10	14
22604904	6	23	22934509	36	33	B1468053000	12	26
22609408	18	12	22934707	36	29	B1470241H00	14	51
22610505	20	66	23006406	32	22-28-29	B1470245000	60	10
22611602	8	51	23006406	34	21-24-25	B1471241H00	14	52
22611651	8	50	23105554	42	1	B147424500C	58	6
22611701	24	44	23208507	4	62	B147424500D	58	7
22611909	22	42	23208556	4	61	B147424500F	58	8
22617906	32	10	23208606	4	63	B147424500H	58	9
22617906	34	9	23630007	46	57	B147424500K	58	10
22618201	34	7	23636202	38	5	B147624500A	60	3
22619100	4	52	A321600100A	38	9	B1478245000	58	2

NUMERICAL INDEX OF PARTS

PART NO	PAGE	REF NO.	PART NO	PAGE	REF NO.	PART NO	PAGE	REF NO.
B147924500D	58	3	B1840051000	60	12	CM300200001	40	17-18
B147924500F	58	4	B185351200CA	10	3	CM3002000B1	2	43-44
B147924500H	58	5	B1905563000	6	4	CM3002000B1	40	17-18
B1501241H00	16	99	B1906051000	6	5	CM300200101	2	41-42
B1502246000	12	44	B1907051000	6	6-57	CM3002001A1	2	41-42
B1511555000	12	43	B3016141H00	12	15	CQ202000000	6	19
B15242450A0	60	11	B3025141H00A	18	15	CQ202000000	10	34
B1525241H00	14	55	B3120125000	32	12	CQ202000000	18	51
B1525241HA0	14	54	B3120125000	34	11	CQ202000000	20	51
B1525563SA0	58	26	B3125012000	34	6	CQ202000000	22	27
B152652700G	14	63	B3126012000	32	9	CQ202000000	44	62
B15272450AC	58	21	B3126051000	34	8	CQ202000000	46	62
B15272450AD	58	22	B3127051000	32	8	CQ303000000	6	9
B15272450AF	58	23	B3129053000	32	11	CQ505000000	6	12
B15272450AH	58	24	B3129526000	34	10	CS0700811SH	26	28
B15272450AK	58	25	B3134521000	34	17	CS070081BSH	26	27
B15292450AA	60	7	B31375270A0	32	5	CS0790731SH	26	13
B152989000CA	38	7	B31375270A0	34	5	CS1201010SH	20	62
B15302450AC	58	12	B3138512000	2	32	CS1201011SH	20	63
B15302450AD	58	13	B3205210000	38	10	D1455055B00	12	33
B15302450AF	58	14	B3214047000	38	28	D1456055B00	12	32
B15302450AH	58	15	B33097040A0	50	20	D1470241E0A	16	97
B15302450AK	58	16	B3416552000	14	77	D1680141EA0	30	32
B15312450AC	58	17	B3428521000	36	24	D2112555B00	2	10
B15312450AD	58	18	B3520586000	44	24	D2427555B00B	26	26
B15312450AF	58	19	B3524552000	44	46	D2430555B00	26	24
B15312450AH	58	20	B3534155000	44	44	D3162555B00	38	25
B1604012000A	18	7	B3538112000	44	41	D3168555H0B	32	16
B1610512000	20	39	B8111220000	48	6	D3168555H0B	38	27
B1611055000	20	61	B8112220000	48	7	D7101245E00	56	19
B1613563E00	20	42-68-70	B8202205000	48	5	D8232241E00	48	21
B1639051000	6	46	B8206012000	56	14	EA9500B0000	12	14
B1802563000A	22	26	B8209012000	56	15	EA9500B0000	30	36
B18035150A0	22	29	B8210012000	56	17	EA9500B0000	44	65
B1816051000	22	38	B8213125AA0	56	11	EA9500B0000	46	65
B1817051000	22	35	B8228125000	48	35	EA9500B0100	10	31
B1820563000	24	2-54	B9109246000	56	21	EA9500B0100	16	98
B1821051000	22	3	B9113012000	56	5	EA9500B0100	28	49
B1822563000	24	6-55	B9117563000	24	24-60	EA9500B0100	42	42
B1823051000	24	7-56	B9117563000	56	9-13	EA9500B0100	46	67
B1824563000	24	10-57	B9121012000	48	8	GAK29007000	42	25
B18305630A0	24	23-30-59	BT0500300EA	46	63	GAK29009000	42	3
B1830563BA0	22	23-30-59	BT0600401EB	42	33	GAK29010000	42	26
B1834512000A	22	21	BT0600402EA	44	20	GAK29011000	42	27
B1840051000	22	31-33	CM300200001	2	43-44	GAK29015000	42	28

NUMERICAL INDEX OF PARTS

PART NO	PAGE	REF NO.	PART NO	PAGE	REF NO.	PART NO	PAGE	REF NO.
GAK29016000	42	29	NS6110420SP	22	22	SK3514000SC	40	13
GAKA1401000	42	22	NS6110530SP	12	35	SL4030691SC	42	38
GAKA14020A0	42	23	NS6110530SP	52	2	SL4040881SC	16	95
GAKA14030A0	42	24	NS6150310SP	20	59	SM1050801SR	14	72
GAKA14040B0	40	20	NS6150430SP	30	10	SM2041001SB	46	64
GAKA14040D0	40	19	NS6150430SP	56	20	SM3031401SE	48	9
GAKA17010A0	42	18	NS6680320SP	18	22	SM4032501SB	42	15
GAKA17040A0	42	19	PA320150200	30	1	SM4034001SN	42	39
GAKA17050A0	42	35	PA400150100	40	1	SM4051405SE	50	12
GBC02621000	12	38	PJ301065104	30	20	SM4061001SB	42	40
GHP03511000	42	34	PJ304065102	40	10	SM6021000TP	48	29
GPK58005000	16	96	PJ309065202	42	37	SM6030802TP	26	2
HK034610140	28	48	PS0500202KP	46	60	SM6040800SP	38	31
HK034610140	30	35	PS0600502KP	32	23	SM6040802TP	26	44
HK03464000B	28	47	PS0600502KP	34	22	SM6041202TP	26	10
HK03464000B	30	34	PX015101000	30	21	SM6051002TP	40	8
HX001230000	42	13	RC0560711KP	38	12	SM6051402TP	14	67
HX00123000A	4	59	RE0500000K0	6	45	SM6051602TP	36	14
HX00123000A	42	36	RE0500000K0	14	78	SM6052002TP	16	91
HX002950000	40	15	RE0500000K0	38	13	SM6061202TP	36	2
HX002950000	42	20	RE0500711KP	18	8	SM6061602TP	30	2
HX00295000A	40	16	RE0800000K0	14	89	SM6061610SC	50	6
HX00295000A	42	21	RE0800000K0	36	10	SM6061802TP	20	40
J1067000000	56	7	RE0900000K0	20	65	SM6062502TP	36	22
MAH152010A0	54	1	RO092270200	20	45	SM6082002TP	40	2
MAN10452000	60	2	RO092270200	38	14	SM6082502TP	22	20
MAQ09307000	60	1	SB120000200	8	53	SM8050502TP	18	6
MAQ093080A0	60	6	SD0380551SL	2	28	SM8050602TP	14	86
MAT80230T00	40	22	SD0470281SP	32	19	SM8050602TP	38	20
MAT80231T00	40	21	SD0470281SP	34	19	SM8050612TP	20	52
MAT81126T00	30	33	SD0640322TP	6	42	SM8052502TP	36	15
MC372001600	10	13	SD0640325SP	26	39	SM8060602TP	6	28
MC372001602	56	10	SD0640482SP	26	40	SM8080802TP	10	21
MDFRX2700C0	56	6	SD0640701SP	12	16	SM8080812TP	6	15
MSCM80000A0	56	8	SD0700451TP	36	20	SM9061203SE	36	31
NM6030001SC	48	10	SD0720331SP	40	5	SM9062250SC	12	37
NM6050001SD	36	16	SD0800352SP	30	11	SQ1110401MZ	22	41
NM6050001SE	50	17	SD0800402TP	18	34	SQ1110401MZ	44	39
NM6060003SC	30	5	SD0800402TP	30	9	SQ1150451MZ	44	38
NM6080001SE	40	4	SD0800481SP	12	45	SS2090520SL	4	64
NM6160511SE	50	18	SD0900701TP	18	21	SS2090710TP	2	31
NM9050001SC	48	30	SD1000801SH	20	55	SS2110920TP	2	37
NS6110310SP	32	20	SK3241601SC	48	13	SS3090610SP	44	17
NS6110310SP	34	20	SK3482500SC	42	41	SS3090710TP	32	7
NS6110310SP	38	26	SK3482500SC	48	16	SS3090710TP	34	18

NUMERICAL INDEX OF PARTS

PART NO	PAGE	REF NO.	PART NO	PAGE	REF NO.	PART NO	PAGE	REF NO.
SS4110515SP	2	35	SS7090910SP	10	9	SS8151150TP	22	32
SS4110615SP	44	42	SS7090910TP	18	32	SS8151550SP	8	61
SS4110815SP	2	68	SS7091410SP	38	15	SS8660530TP	8	49-59
SS4110815SP	4	68	SS7110510SP	12	20	SS8660530TP	22	43
SS4110815SP	46	47	SS7110510SP	44	11	SS8660610TP	12	8
SS4111215SP	2	2	SS7110570SP	32	25	SS8660610TP	18	64
SS4120615SP	30	15	SS7110710SP	8	56	SS8660610TP	20	64
SS4150915SP	44	37	SS7110710SP	56	3	SS8660612TP	12	3
SS5090610SP	2	21	SS7110830SP	10	17	SS8660612TP	26	36
SS5110740TP	48	4	SS7110830SP	14	80	SS8660670SP	22	36
SS6090520SP	38	16	SS7110830SP	44	33	SS8660810TP	6	22
SS6090620SP	38	22	SS7110840SP	30	29	SS8660810TP	14	82
SS6090810SP	22	12	SS7110840SP	48	3	SS8660810TP	22	39
SS6090910TP	14	50	SS7110910TP	10	15	SS8661030SP	8	52
SS6091022TP	10	19	SS7110910TP	12	41	SS9151440CP	18	4
SS6110480SP	32	27	SS7110910TP	18	25	TA0370601M0	10	6
SS6110480SP	44	40	SS7110910TP	32	21	TA0550604R0	4	66
SS6110520TP	20	56	SS7110910TP	34	23	TA0550604R0	12	10
SS6110610TP	30	38	SS7111120SP	26	16	TA0800704R0	48	31
SS6110630TP	14	64	SS7111120TP	14	74	TA1050504R0	2	58
SS6110710TP	26	46	SS7111410SP	18	11	TA1050504R0	4	58
SS6110810TP	38	18	SS7111410SP	40	24	TA1250406R0	2	3
SS6111010SP	44	28	SS7111810SP	30	19	TA1250504R0	2	15
SS6111140SP	4	65	SS7111810TP	22	8	TA1450404R0	2	9
SS6111140SP	26	34	SS7111810TP	28	51	TA1750502R0	22	40
SS6111610SP	18	37	SS7120760SP	8	54	WP0320501SC	26	3
SS6120930TP	20	67	SS7120760SP	30	13	WP0320501SC	48	12
SS6121210TP	18	16	SS7120760SP	44	31	WP0371016SD	22	11
SS6121610TP	26	38	SS7150910TP	2	19	WP0430800SC	26	11
SS6121860SP	20	43	SS7151210SP	30	7	WP0450801SD	46	61
SS6151040SP	26	43	SS7151610SP	26	30	WP0482086SD	12	34
SS6151040SP	40	14	SS7151610SP	54	4	WP0501016SD	30	39
SS6151220SP	40	23	SS7621040SP	2	7	WP0501046SC	12	18
SS6151440SP	48	2	SS8090540SP	6	43	WP0621016SD	18	5
SS6151780SP	12	27	SS8110422TP	24	61	WP0621016SD	54	2
SS6151920SP	12	30	SS8110422TP	26	14	WP0641601SD	30	3
SS6152440SP	10	29	SS8110510SP	26	29	WP0650876SD	20	58
SS6153040SP	22	18	SS8150510TP	22	34	WP0850002SP	22	19
SS6153040SP	48	22	SS8150710SP	12	93	WP1702600S0	50	19
SS6661110SP	6	40	SS8150710SP	16	93	WS0510002KN	50	16
SS7060610SP	26	9	SS8150710TP	8	49-59	WS0610002KN	54	3
SS7080510TP	10	12	SS8150822TP	6	30	WT0530002KS	4	56
SS7090510SP	36	25	SS8150822TP	18	28			
SS7090520TP	2	33	SS8151150TP	10	5			
SS7090610SP	18	30	SS8151150TP	18	14			