

MODEL : LU-1565N

List No : 1281-09

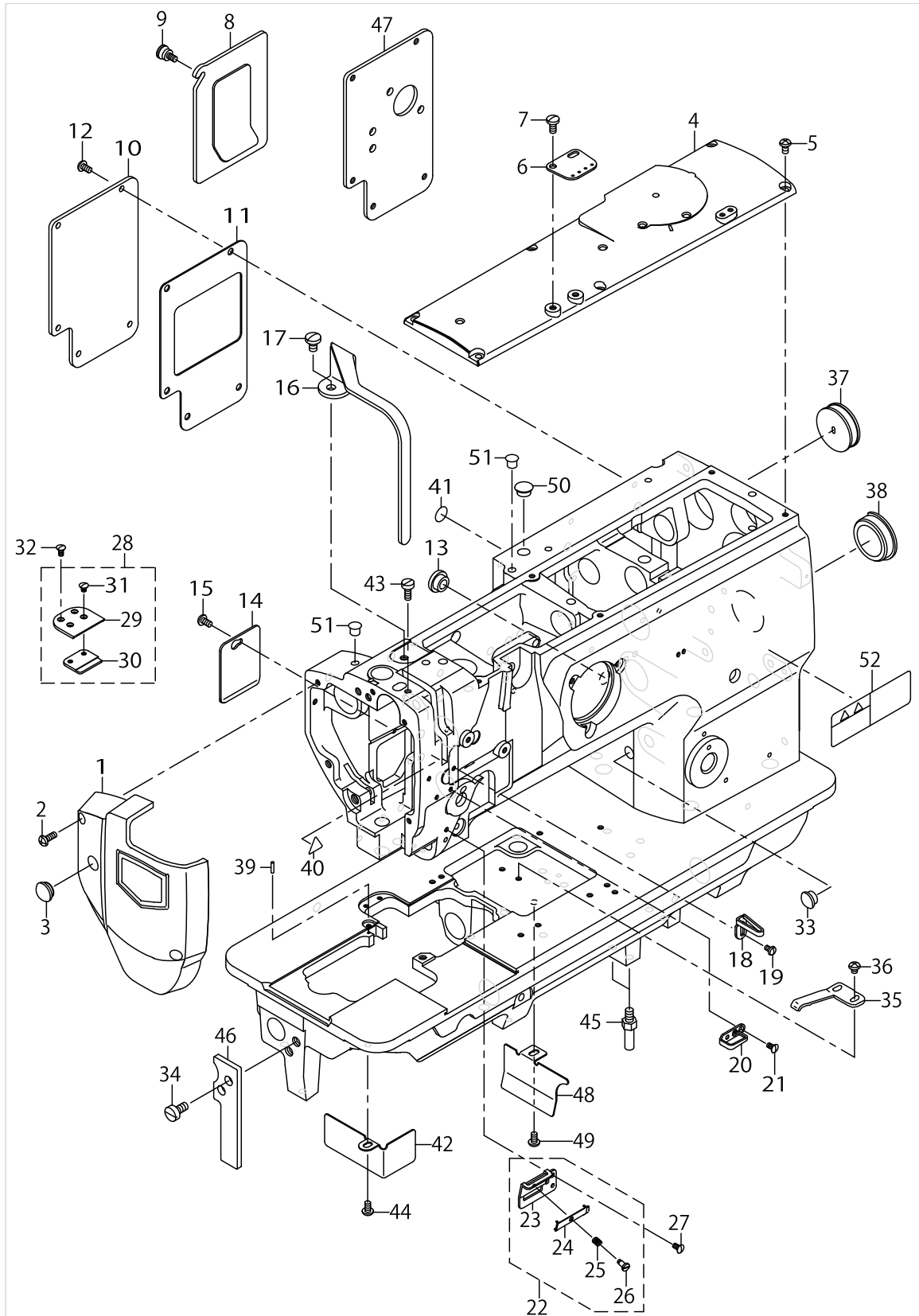
PARTS LIST

Published:05/12/2017

CONTENTS

FRAME & MISCELLANEOUS COVER COMPONENTS	1
UPPER SHAFT,LOWER SHAFT DRIVING & BALANCE COMPONENTS	5
NEEDLE STOPPAGE EXCHANGE LEVER & THREAD TENSION COMPONENTS.....	9
NEEDLE STOPPAGE MECHANISM COMPONENTS.....	13
NEEDLE BAR ROCKING COMPONENTS	17
PRESSURE ADJUSTING & UPPER FEED MECHANISM COMPONENTS.....	19
FEED MECHANISM COMPONENTS.....	23
HOOK SHAFT & LOWER SHAFT COMPONENTS	27
AUTOMATIC PRESSER LIFTING MECHANISM COMPONENTS (OPTIONAL PARTS).....	31
KNEE LIFTING COMPONENTS	33
LOWER THREAD WINDER MECHANISM COMPONENTS	35
LUBRICATION COMPONENTS	37
THREAD STAND COMPONENTS.....	39
BELT COVER & OIL RESERVOIR COMPONENTS.....	41
GAUGE COMPONENTS (STANDARD PARTS).....	43
ACCESSORIES PARTS COMPONENTS	45
TABLE OF EXCHANGE GAUGE PARTS.....	47
LIST FOR INFORMATION OF CHANGE.....	51
HOW TO MAKE USE OF THIS PARTS LIST	52

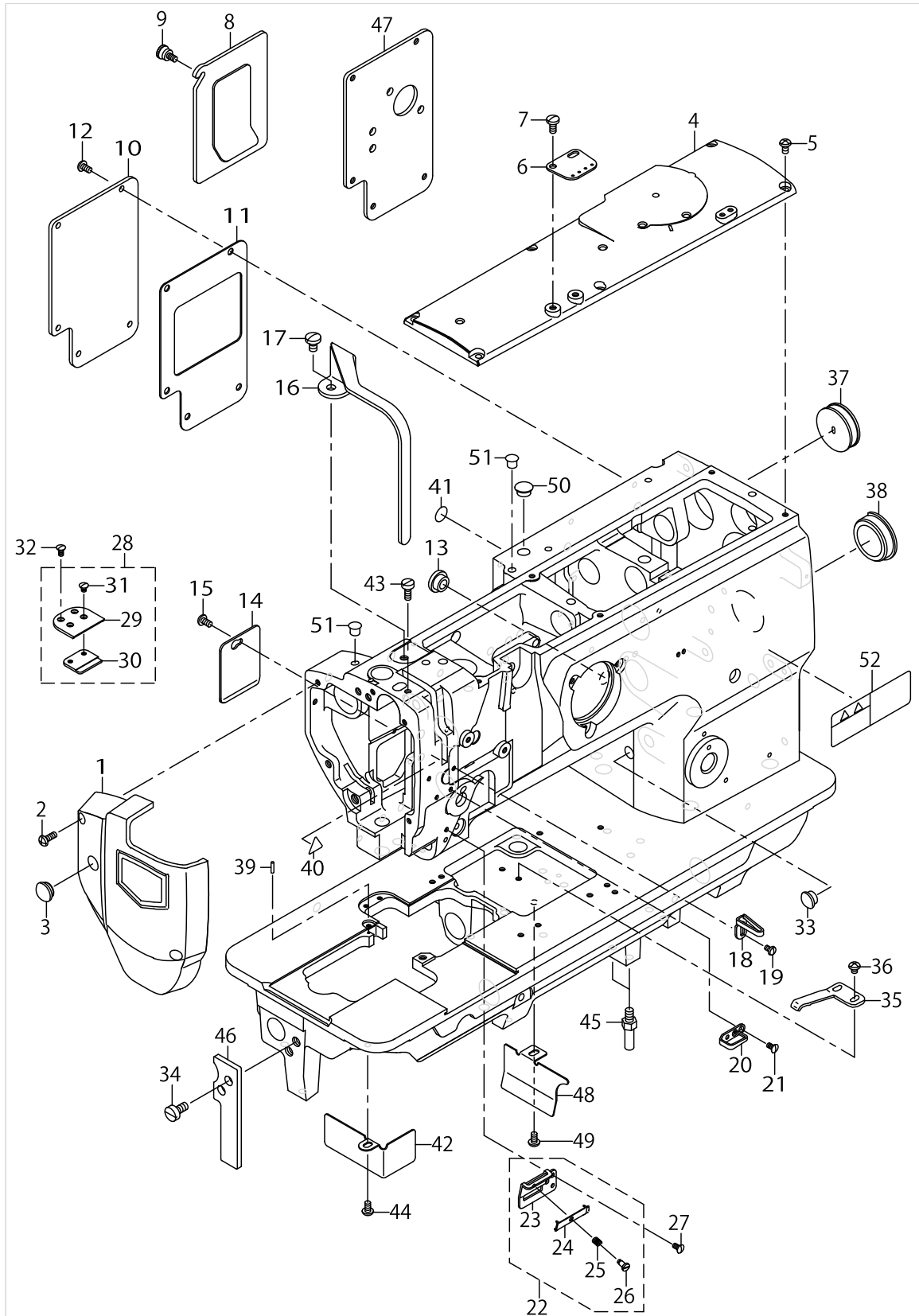
FRAME & MISCELLANEOUS COVER COMPONENTS



FRAME & MISCELLANEOUS COVER COMPONENTS

No.	Supply Code	Parts No.	Replacement	Parts name	Remarks	Choice	Step	Level	Cons	Qty	Rep. QTY
1		21375258		FACE PLATE ASM.						1	
2		SS4111215SP		SCREW11/64-40L=12						2	
3		TA1250406R0		RUBBER PLUG D=12.5 L=4						1	
4		21331400		TOP COVER A						1	
5		SS4110815SP		SCREW 11/64-40 L=8						6	
6		21355904		ARM THREAD GUIDE						1	
7		SS7621040SP		SCREW 3/16-32 L=9.5						2	
8		21331756		WINDOW PLATE A ASM.						1	
9		21331202		SETSCREW						1	
10		21331806		WINDOW PLATE B						1	
11		21332002		WINDOW PLATE PACKING B						1	
12		SS4110815SP		SCREW 11/64-40 L=8						5	
13		TA1250504R0		RUBBER PLUG						1	
14		21332309		SIDE COVER						1	
15		SS4110815SP		SCREW 11/64-40 L=8						1	
16		21375308		BALANCE COVER(F-OR HALF NEEDLE)						1	
17		SS7150910TP		SCREW 15/64-28 L=9						1	
18		40108674		THREAD GUIDE						1	
19		SS5090610SP		SCREW 9/64-40 L=6						1	
20		40108675		FRAME THREAD GUIDE						1	
21		SS2090710TP		SCREW 9/64-40 L=7.2						1	
22		21408554		THREAD GUIDE ASM.						1	
23	R	21408505	21408554	THREAD GUIDE PLATE				*		1	1.00
24		17912106		NEEDLE THREAD PRESSER PLATE				*		1	
25		B1132521000		THREAD PRESSER PLATE SPRING				*		1	
26		SD0380551SL		HINGE SCREW D=3.80 H=5.5				*		1	
27		SS2090710TP		SCREW 9/64-40 L=7.2						1	
28		23208556		AUXILIARY COVER ASM.						1	
29		23208507		AUXILIARY COVER				*		1	
30	R	23208606	23208556	SLIDING PLATE SUPPORT				*		1	1.00
31		SS2090520SL		SCREW 9/64-40 L=5				*		2	
32		SS2090710TP		SCREW 9/64-40 L=7.2						2	
33		TA1050504R0		RUBBER PLUG						1	
34		SS6151210SP		SCREW15/64-28L=12						2	
35		B1111563000		BED SLIDE SPRING						1	
36		SS4110515SP		SCREW 11/64-40 L=5						2	
37		10201200		RUBBER PLUG						1	
38		22619100		CAP						1	
39		B1104051000		THROAT PLATE PIN						1	
40		CM300200001		ATTENTION SEAL						1	
41		22901805		GROUND MARK						1	
42		21332200		OIL SHIELD (LEFT)						1	
43		SS6621210SP		SCREW 3/16-32 L=12						1	
44		SS4110815SP		SCREW 11/64-40 L=8						1	
45		22602601		BED SCREW STUD						2	
46		21361407		BEDSUPPORTPLATE						1	

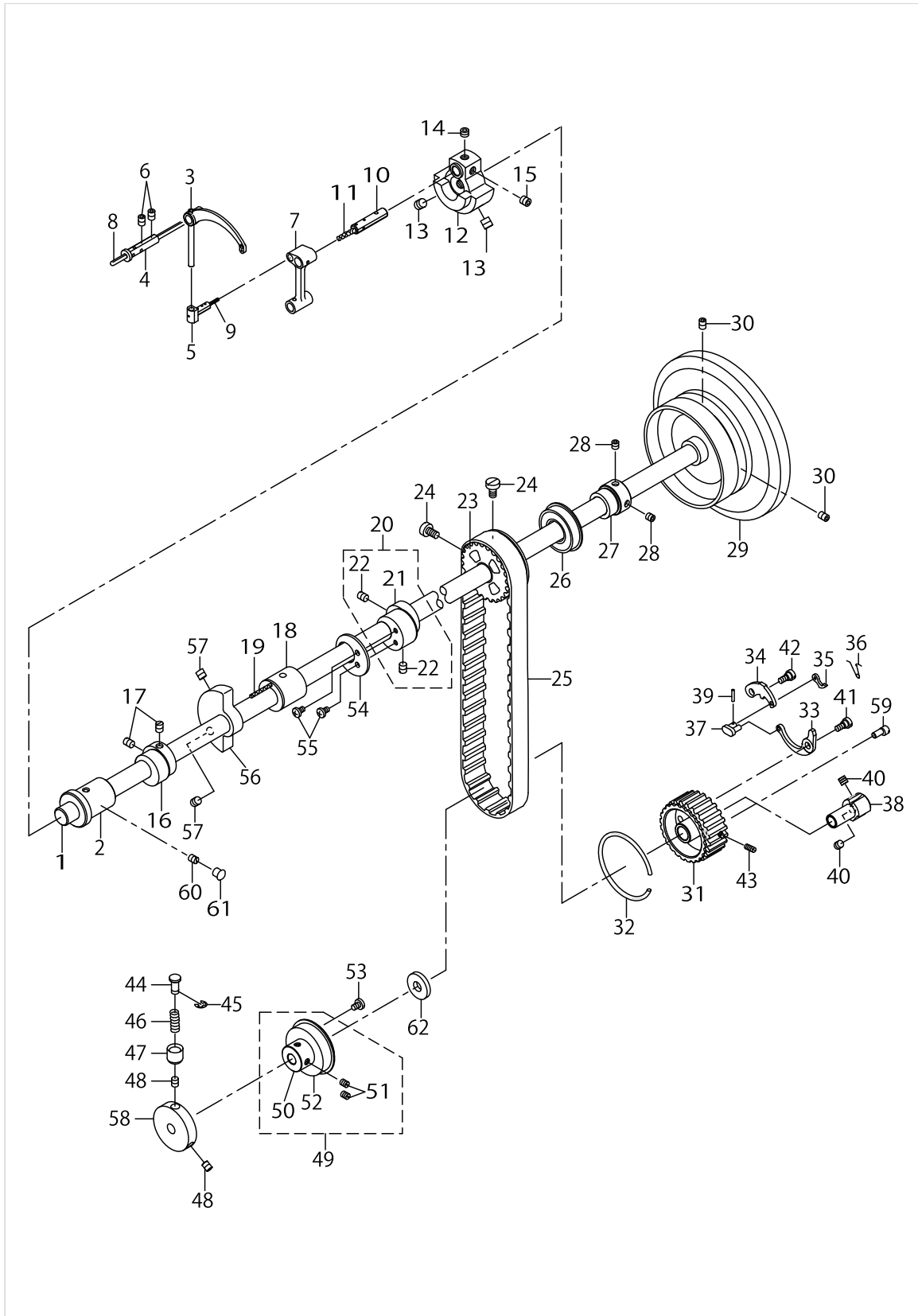
FRAME & MISCELLANEOUS COVER COMPONENTS



FRAME & MISCELLANEOUS COVER COMPONENTS

No.	Supply Code	Parts No.	Replacement	Parts name	Remarks	Choice	Step	Level	Cons	Qty	Rep. QTY
47		21348909		WIDOW PLATE D	OPTIONAL PARTS					1	
48	D	22877609		DUST COVER						1	
49		SS4110815SP		SCREW 11/64-40 L=8						1	
50		TA1250504R0		RUBBER PLUG						1	
51		TA0750704R0		RUBBER PLUG						2	
52		CM301300001		SAFETY LABEL						1	

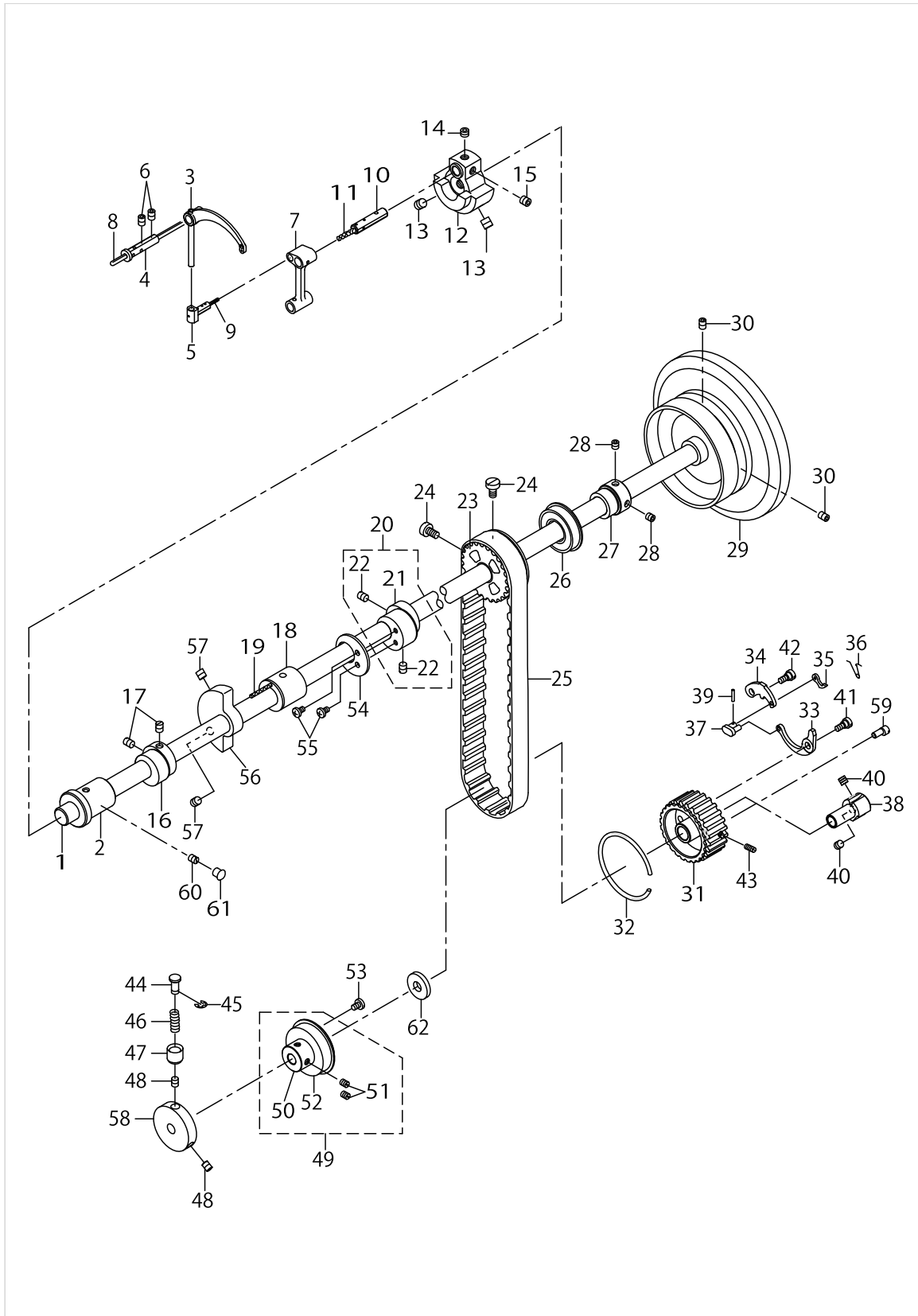
UPPER SHAFT, LOWER SHAFT DRIVING & BALANCE COMPONENTS



UPPER SHAFT,LOWER SHAFT DRIVING & BALANCE COMPONENTS

No.	Supply Code	Parts No.	Replacement	Parts name	Remarks	Choice	Step	Level	Cons	Qty	Rep. QTY
1		21332705		UPPER SHAFT						1	
2		21333000		UPPER SHAFT FRONT METAL						1	
3		B1905526000		THREAD TAKE-UP LEVER						1	
4		B1906526000		TAKE-UP LEVER						1	
5		B1907526000		TAKE-UP LEVER THRUST PIN						1	
6		SS8150822TP		SCREW 15/64-28 L=8						2	
7		B1408526000		NEEDLE BAR CRANK ROD						1	
8		CQ303000000		OIL WICK						.08	
9		CQ202000000		OIL WICK						.03	
10		22680607		NEEDLE BAR CRANK PIN						1	
11		CQ505000000		OIL WICK						.03	
12	D	21375704		COUNTER WEIGHT 33.36MM						1	
13		SM8080812TP		SCREW M8X8						2	
14		SS8680540SP		SCREW 9/32-28 L=4.5						1	
15		SS8680730SP		SCREW 9/32-28 L=7						1	
16	R	21339502	21339551	UPPERFEEDCAM(3.5)						1	1.00
17		SS8660810TP		SCREW 1/4-40 L=8						2	
18		21333109		UPPER SHAFT INNER METAL						1	
19		CQ202000000		OIL WICK						.15	
20		21336557		ECCENTRIC CAM A ASM.						1	
21	R	21336508	21336557	ECCENTRIC CAM A				*		1	1.00
22		SS8660810TP		SCREW 1/4-40 L=8				*		2	
23		40038692		UPPER SPROCKET						1	
24		SS6661110SP		SCREW 1/4-40 L=11						2	
25		22604300		TIMING BELT						1	
26		40143083		BEARING						1	
27		21402300		UPPER SHAFT BEARING HOOK						1	
28		SM8060602TP		SCREW M6X6						2	
29		21334008		FLYWHEEL						1	
30		SS8150822TP		SCREW 15/64-28 L=8						2	
31		21387501		LOWER SPROCKET						1	
32		B1214019000		SPROCKET RING						1	
33		21387709		SAFETY CLUTCH SPRING						1	
34		21387600		SAFETY CLUTCH HOOK						1	
35		B1308055000		SAFETY CLUTCH COUNTER-HOOK						1	
36		40113224		COUNTER HOOK SPRING						1	
37		B1310055000		SAFETY CLUTCH SMALL LINK						1	
38		21387808		SAFETY BASE						1	
39		B1314055000		SAFETY CLUTCH SMALL LINK PIN						1	
40		SS8660612TP		SCREW 1/4-40 L=6						2	
41		SD0640322TP		HINGE SCREW D=6.35 H=3.2						1	
42		SD0640322TP		HINGE SCREW D=6.35 H=3.2						1	
43		SS8111010TP		SCREW 11/64-40 L=9.5						1	
44		B1312563000A		SAFETY CLUTCH PUSH BUTTON						1	
45		RE0500000K0		E-RING						1	
46		B1639051000		SPRING						1	

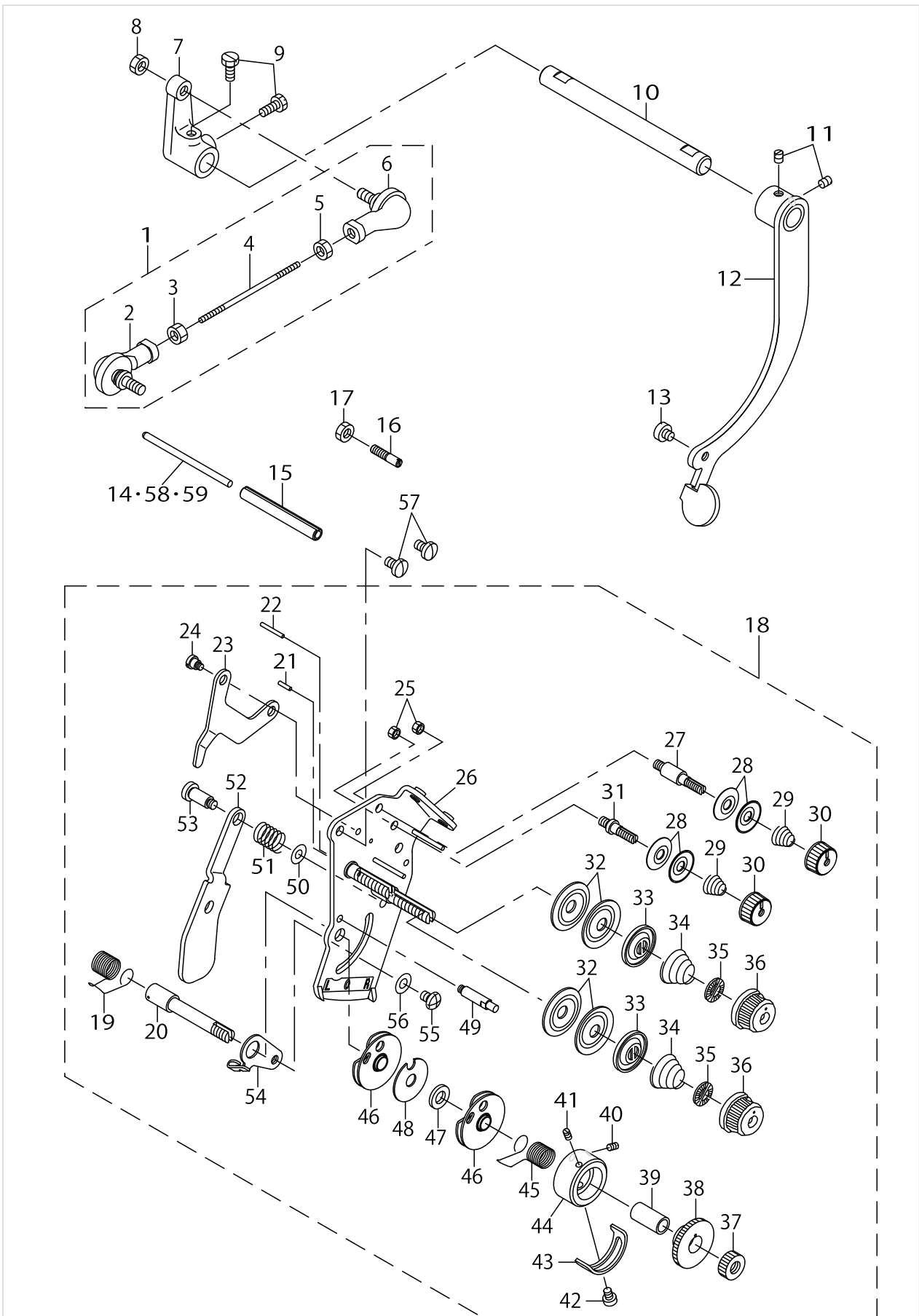
UPPER SHAFT, LOWER SHAFT DRIVING & BALANCE COMPONENTS



UPPER SHAFT,LOWER SHAFT DRIVING & BALANCE COMPONENTS

No.	Supply Code	Parts No.	Replacement	Parts name	Remarks	Choice	Step	Level	Cons	Qty	Rep. QTY
47		B1313055000		SAFETY CLUTCH KNOB SLEEVE						1	
48		SS8150710TP		SCREW 15/64-28 L=7						2	
49		40038700		THRUST COLLAR ASM.						1	
50	R	40038702	40038700	THRUST COLLAR				*		1	1.00
51		SS8661030SP		SCREW 1/4-40 L=10				*		2	
52		SB120000200		BEARING 20X42				*		1	
53		SS7120760SP		SCREW 3/16-28 L=7.0						2	
54		21353008		HORIZONTAL FEED CAM COVER						1	
55		SS7110710SP		SCREW 11/64-40 L=7						2	
56		21333406		BALANCER						1	
57		SS8151550SP		SCREW15/64-28L=15						2	
58		21333703		SAFETY CLUTCH DISC						1	
59		21387907		ADJUSTING PIN (1.2)						1	
60		SS8150710TP		SCREW 15/64-28 L=7						1	
61		TA0750704R0		RUBBER PLUG						1	
62		40016148		THRUST COLLAR B WASHER						1	

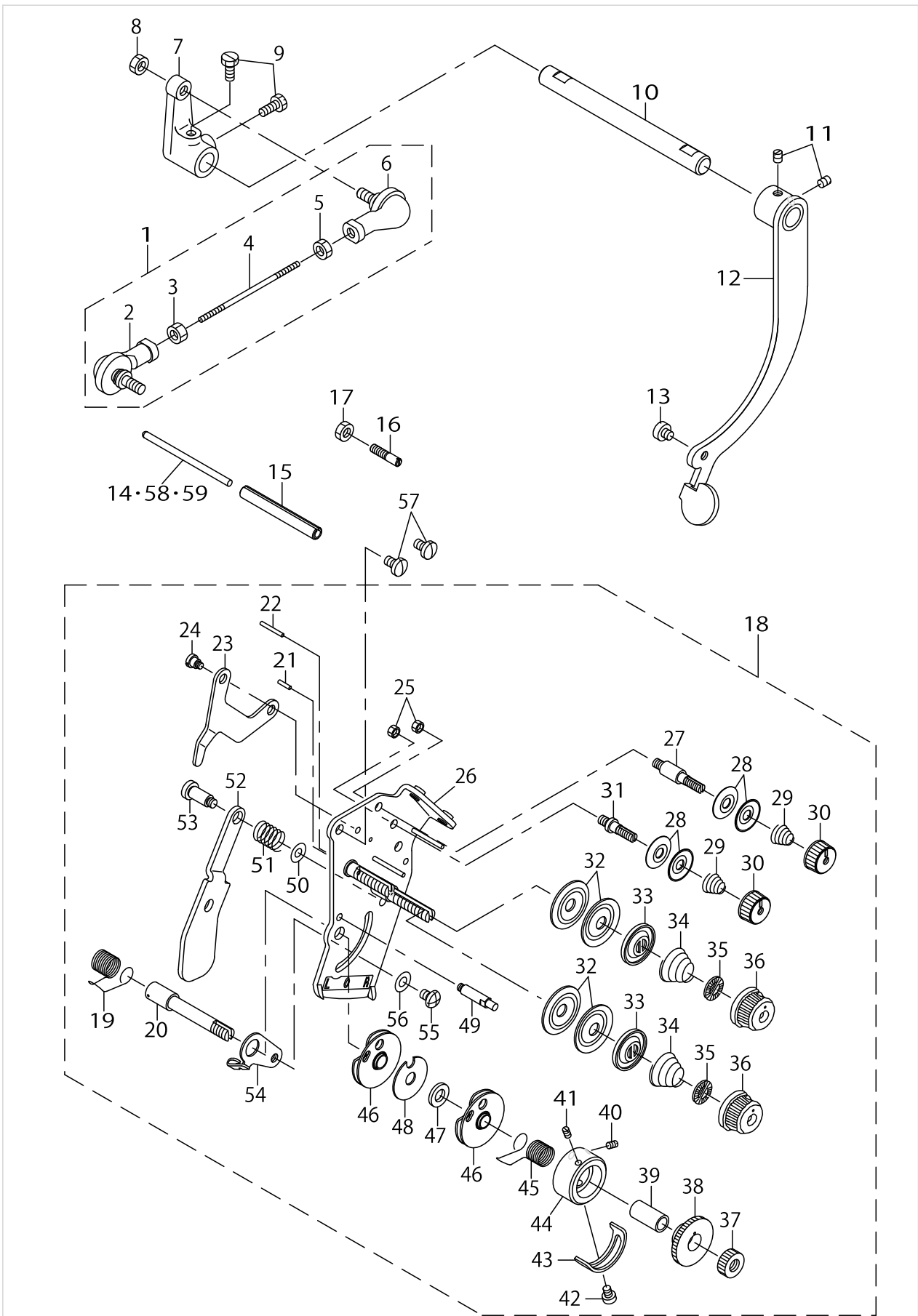
NEEDLE STOPPAGE EXCHANGE LEVER & THREAD TENSION COMPONENTS



NEEDLE STOPPAGE EXCHANGE LEVER & THREAD TENSION COMPONENTS

No.	Supply Code	Parts No.	Replacement	Parts name	Remarks	Choice	Step	Level	Cons	Qty	Rep. QTY
1	D	21377155		BALL JOINT COMPL.						1	
2		B1440526000		BALL JOINT LEFT				*		1	
3		NM6050550SD		NUT M5X0.8				*		1	
4		B1441526000		ADJUSTING SHAFT ROD				*		1	
5		NM6050001SP		NUT M5				*		1	
6		B1442526000		BALL JOINT RIGHT				*		1	
7		B144352600A		NEEDLE STOP SHIFTING ARM						1	
8		NM6050001SP		NUT M5						1	
9		SS9111010SP		SCREW 11/64-40 L=9.5						2	
10	D	21377007		REPOSITIONING LEVER SHAFT						1	
11		SS8110520TP		SCREW 11/64-40 L=4.5						2	
12		22687453		REPOSITIONING LEVER ASM.						1	
13		SS6110430TP		SCREW 11/64-40 L=4.0						1	
14		10321107		TENSION RELEASE BAR	SELECTIVE PARTS					1	
15		PS0600502KP		SPRING PIN						1	
16		SS6621210SP		SCREW 3/16-32 L=12						1	
17		NS6620310SP		NUT 3/16-32						1	
18		21375456		THREAD TENSION ASM.						1	
19		22618706		THREAD TAKE-UP SPRING A				*		1	
20		10697605		THREAD TAKE-UP SPRING STUD				*		1	
21		B3127051000		TENSION RELEASE PIN SHORT				*		1	
22		B3127527000		PIN B				*		1	
23		22618102		TENSION RELEASE LEVER				*		1	
24		SD0470281SP		HINGE SCREW D=4.7 H=2.8				*		2	
25		NS6110310SP		NUT 11/64-40				*		1	
26		22689053		TENSION BASE PLATE ASM.				*		1	
27		10124204		THREAD TENSION POST A				*		1	
28		10741106		FIRST THREAD TENSION PLATE				*		4	
29		11045101		THREAD TENSION SPRING				*		2	
30		11072402		THREAD TENSION NUT				*		2	
31		10124303		THREAD TENSION POST B				*		1	
32		13138201		THREAD TENSION DISK				*		4	
33		22617906		THREAD TENSION DISK PRESSER				*		2	
34		B3129053000		TENSION SPRING				*		2	
35		B3120125000		ROTATING STOPPER				*		2	
36		11956802		THREAD TENSION KNOB BLUE				*		2	
37	R	22617807	22928808	NUT				*		1	1.00
38		22617708		TAKE-UP SPRING GUIDE				*		1	
39		B3141527000		PRESSER COLLAR				*		1	
40	R	22618904	SM8030500SP	SET SCREW				*		1	1.00
41	R	22618904	SM8030500SP	SET SCREW				*		1	1.00
42		SS7090510SP		SCREW 9/64-40 L=4.6				*		1	
43		B3138527000		ADJUSTING PLATE B				*		1	
44		22617609		THREAD TENSION POST				*		1	
45		22618805		THREAD TAKE-UP SPRING B				*		1	
46		B31375270A0		TAKE-UP SPRING GUIDE ASM.				*		2	

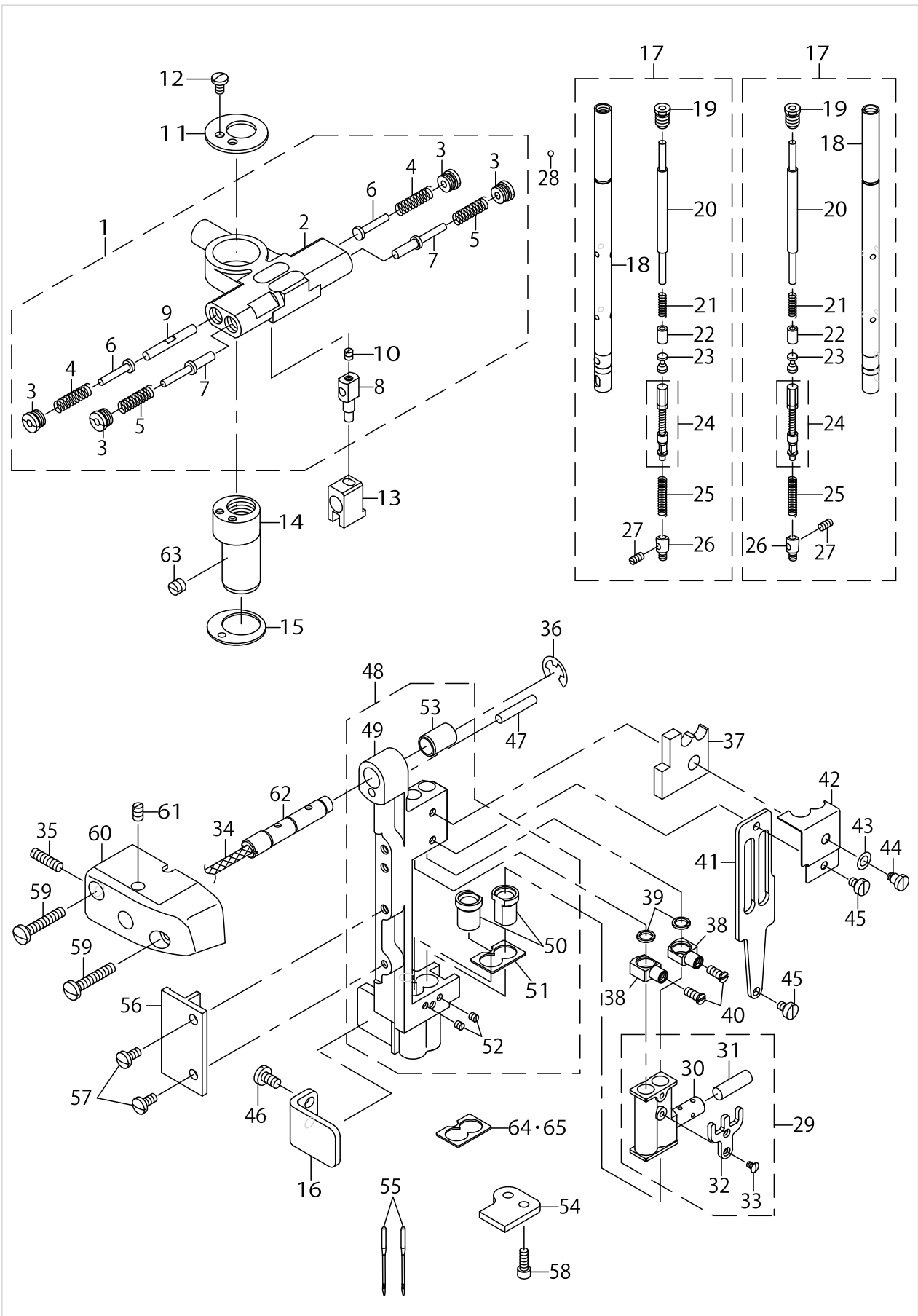
NEEDLE STOPPAGE EXCHANGE LEVER & THREAD TENSION COMPONENTS



NEEDLE STOPPAGE EXCHANGE LEVER & THREAD TENSION COMPONENTS

No.	Supply Code	Parts No.	Replacement	Parts name	Remarks	Choice	Step	Level	Cons	Qty	Rep. QTY
47		B3139527000		COLLAR				*		1	
48		B3142527000		TAKE-UP SPRING GUIDE PLATE				*		1	
49		B3143527000		TAKE-UP SPRING GUIDE STUD				*		1	
50		WP0450801SP		WASHER				*		1	
51		B1449526000		REPOSITIONING LEVER SPRING				*		1	
52		22689103		REPOSITIONING LEVER				*		1	
53		SD0601171SP		HINGE SCREW D=6 H=11.7				*		1	
54		10697506		THREAD TENSION BRACKET A				*		1	
55		SS4110615SP		SCREW 11/64-40 L=6				*		1	
56	R	WP0501016SP	WP0501016SD	WASHER 5X10.5X1				*		1	1.00
57		SS7110710SP		SCREW 11/64-40 L=7						2	
58		23006406		TENSION RELEASE BAR						1	
59		21348206		TENSION RELEASE BAR	SELECTIVE PARTS					1	

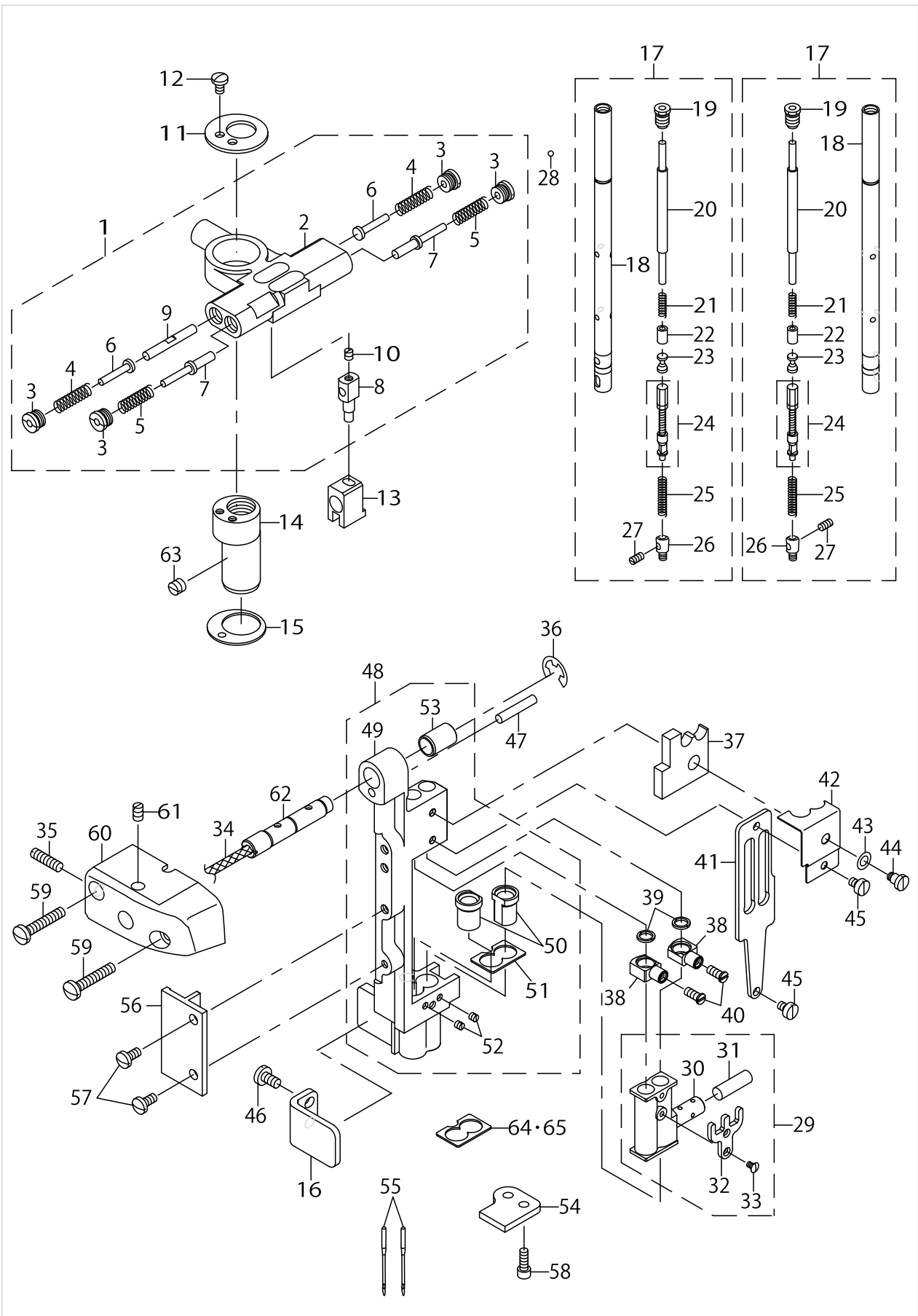
NEEDLE STOPPAGE MECHANISM COMPONENTS



NEEDLE STOPPAGE MECHANISM COMPONENTS

No.	Supply Code	Parts No.	Replacement	Parts name	Remarks	Choice	Step	Level	Cons	Qty	Rep. QTY
1		B14345280A0		REPOSITIONING BASE ASM.						1	
2		B1434528000		REPOSITIONING BASE				*		1	
3		B1438526000		PLUG SCREW				*		4	
4		B143752600A		SPRING L=21.7				*		2	
5		B1437526000		SPRING L=19.3				*		2	
6		B1435526000		GUIDE STUD				*		2	
7		B1436526000		DRIVING GUIDE STUD				*		2	
8		B1431526000		SLIDE PIN				*		1	
9		B1455526000		SLIDE BLOCK STUD				*		1	
10	R	SS8090410TP	SS8090410SP	SCREW 9/64-40 L=3.9				*		1	1.00
11		B1439528000		COVER PLATE						1	
12		SS7090620TP		SCREW 9/64-40 L=6.1						2	
13		B1427526000		DRIVING BRACKET						1	
14		B1431528000		REPOSITIONING BASE SHAFT						1	
15		B1432528000		WASHER						1	
16		21388400		ROCKING BASE GUIDE						1	
17		B14015260A0		NEEDLE BAR ASM.						2	
18		B1401526000		NEEDLE BAR				*		2	
19		B1404526000		PLUG SCREW				*		2	
20		B1405526000		PRESS BAR				*		2	
21		B1406526000		SPRING				*		2	
22		B1407526000		PRESS BAR SLEEVE				*		2	
23		B1409526000		BALL SLIDE STUD				*		2	
24		B14125260A0		ADJUSTING SLIDE STUD ASM.				*		2	
25		B1415526000		SPRING				*		2	
26		B1416528000		COLLAR				*		2	
27		B1425526000		SCREW 1/8-44 L=6				*		2	
28		B1410526000		BALL						12	
29		B14205260A0		NEEDLE BAR BRACKET ASM.						1	
30	R	B1420526000	B14205260A0	NEEDLE BAR BRACKET				*		1	1.00
31		B1412051000		FELT				*		1	
32	R	B1422526000	B14205260A0	NEEDLE BAR SUPPORT PLATE				*		1	1.00
33		SS2060410SP		SCREW 3/32-56 L=4.1				*		2	
34		CQ252000000		OIL WICK						.08	
35		SS8111010TP		SCREW 11/64-40 L=9.5						1	
36		RE0700000K0		E-RING 7						1	
37		B1451526000		OIL FELT						1	
38		21376405		NEEDLE BAR FIXED STUD						2	
39		B1417526000		HALF RING						4	
40		B1419526000		SCREW						2	
41		B1423526000		NEEDLE BAR GUIDE PLATE						1	
42		B1450526000		OIL FELT PRESSER						1	
43		WP0480856SP		WASHER 4.8X8.4X0.8						1	
44		SD0450401SP		HINGE SCREW D=4.5 H=4						1	
45		SS6090540SP		SCREW 9/64-40 L=5.0						2	
46		SS7110830SP		SCREW 11/64-40 L=7.5						2	

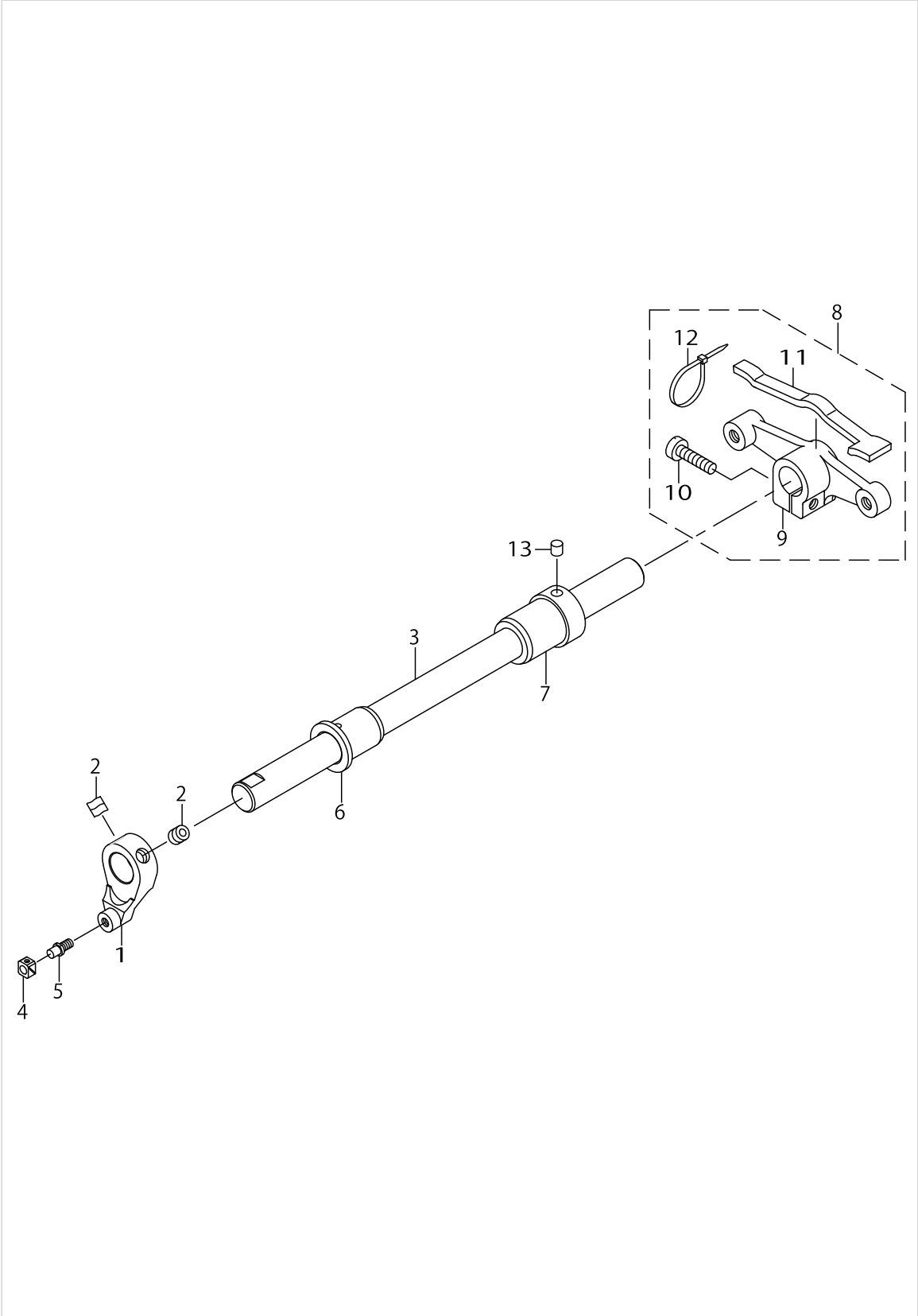
NEEDLE STOPPAGE MECHANISM COMPONENTS



NEEDLE STOPPAGE MECHANISM COMPONENTS

No.	Supply Code	Parts No.	Replacement	Parts name	Remarks	Choice	Step	Level	Cons	Qty	Rep. QTY
47		PS0400222K0		SPRING PIN						1	
48		21375852		NEEDLE ROD ROCK- ING BASE COMPL.						1	
49		21375803		NEEDLE BAR ROCKING BASE				*		1	
50		B1510526000A		NEEDLE BAR LOWER BUSHING				*		1	
51		B145352600A		THRUST PLATE A				*		1	
52	R	SS8080310SP	SS8080310TP	SCREW 1/8-44 L=2.8				*		2	1.00
53		B1452526000		NEEDLE BAR FRAME BUSHING				*		1	
54		21338603		ROCKING BASE GUIDE (B)						1	
55		M13517B1600		NEEDLE 135X17 #160						1	
56		21376207		UPPER FEED BAR GUIDE						1	
57	R	SS7110910SP	SS7110910TP	SCREW 11/64-40 L=8.5						2	1.00
58		SS6091022TP		SCREW						1	
59		SS7112420SP		SCREW 11/64-40L=24						2	
60		21376009		NEEDLE ROD ROCK- ING SHAFT BASE						1	
61		SS8110750SP		SCREW 11/64-40 L=6.5						1	
62		21376504		NEEDLE ROD ROCK- ING BASE SHAFT						1	
63		SS8150510TP		SCREW 15/64-28 L=4.7						1	
64		B145352600B		THRUST PLATE T=0.6	SELECTIVE PARTS					1	
65		B145352600C		THRUST PLATE C	SELECTIVE PARTS					1	

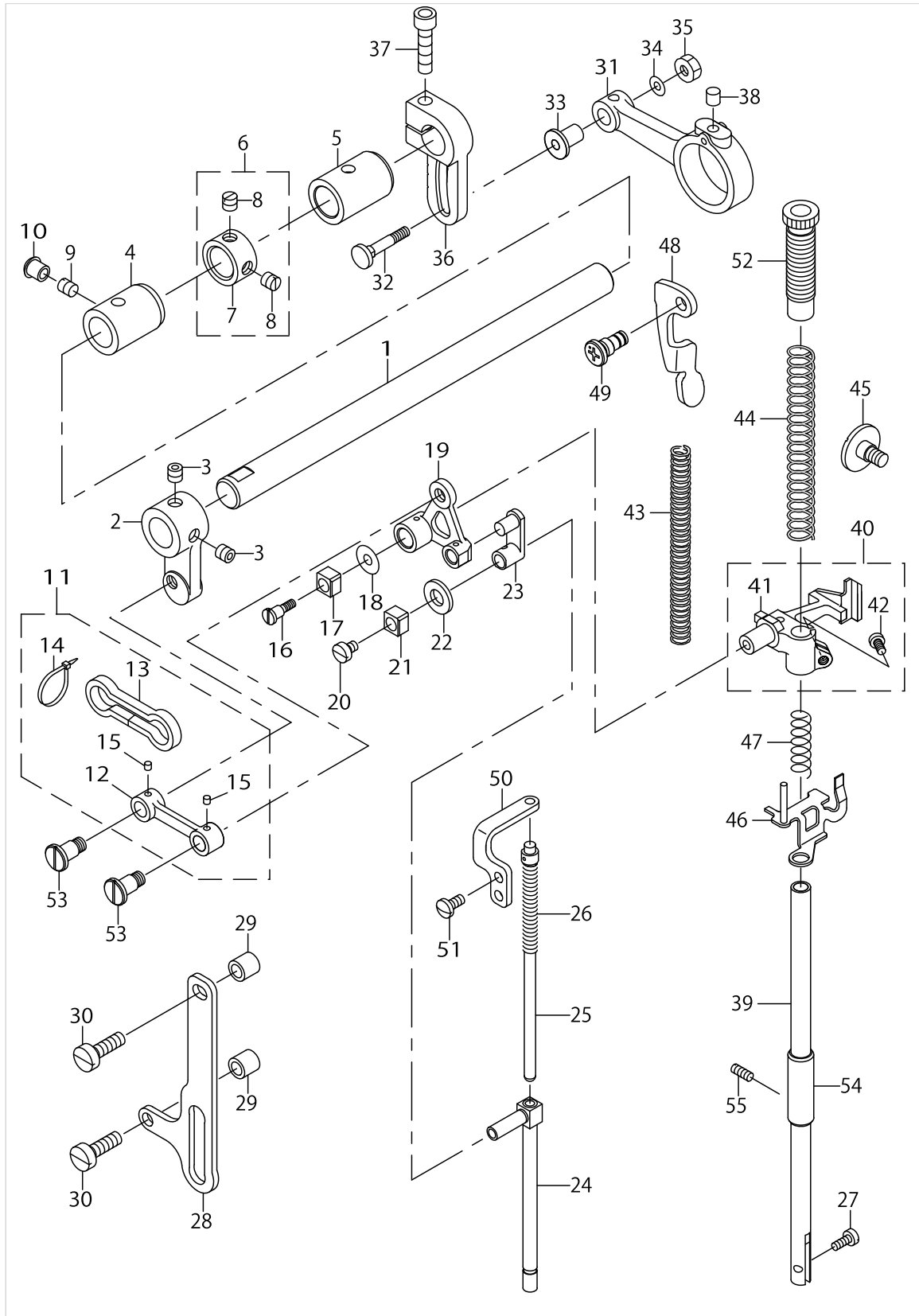
NEEDLE BAR ROCKING COMPONENTS



NEEDLE BAR ROCKING COMPONENTS

No.	Supply Code	Parts No.	Replacement	Parts name	Remarks	Choice	Step	Level	Cons	Qty	Rep. QTY
1	D	21375902		NEEDLE BAR ROCK- ING FRONT ARM						1	
2		SM8080802TP		SCREW						2	
3		21338900		ROCKING SHAFT						1	
4		B1414232000		SQUARE BLOCK						1	
5		B1410771000		STUD						1	
6		21339304		ROCKING SHAFT FRONT METAL						1	
7		40027746		BUSHING REAR						1	
8		21339056		ROCKING REAR ARM ASM.						1	
9		21339007		ROCKING REAR ARM				*		1	
10		SS6152440SP		SCREW 15/64-28 L=23.5				*		1	
11		21347406		ROCKING REAR ARM FELT				*		1	
12		EA9500B0100		CABLE BAND				*		1	
13		22814909		FELT				*		1	

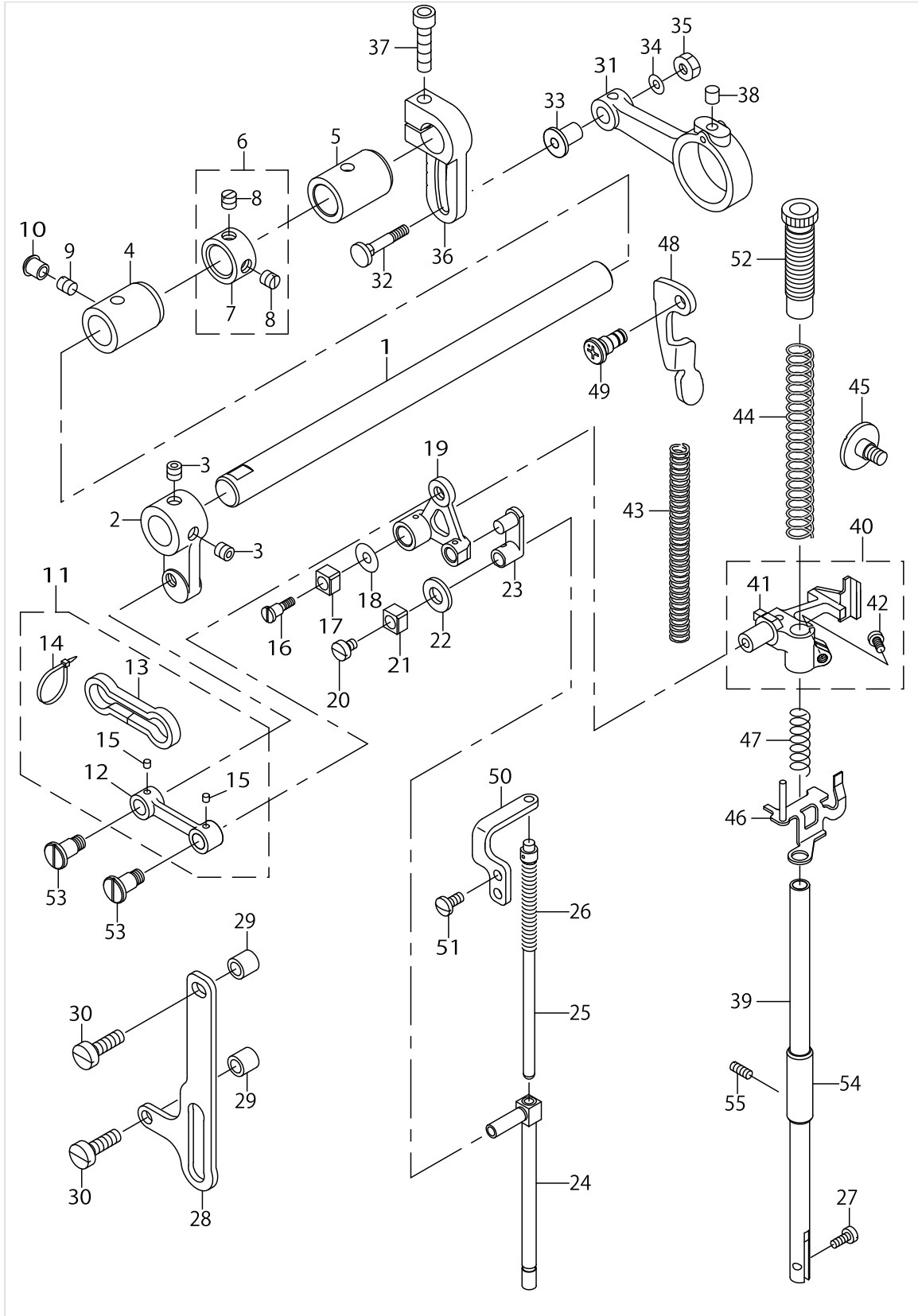
PRESSURE ADJUSTING & UPPER FEED MECHANISM COMPONENTS



PRESSURE ADJUSTING & UPPER FEED MECHANISM COMPONENTS

No.	Supply Code	Parts No.	Replacement	Parts name	Remarks	Choice	Step	Level	Cons	Qty	Rep. QTY
1		21340401		UPPER FEED SHAFT						1	
2		21340500		UPPER FEED FRONT ARM						1	
3		SS8660612TP		SCREW 1/4-40 L=6						2	
4		40039326		FRONT METAL						1	
5		21378302		FEED SHAFT METAL						1	
6		22904155		MAIN SHAFT THRU-ST COLLAR ASM.						1	
7	R	22904106	22904155	MAIN SHAFT THRUST COLLAR				*		1	1.00
8		SS8660610TP		SCREW 1/4-40 L=6				*		2	
9	R	SS8150710SP	SS8150710TP	SCREW 15/64-28 L=7						1	1.00
10		TA0750704R0		RUBBER PLUG						1	
11		40033027		UPPER FEED LINK ASM.						1	
12		40033026		UPPER FEED LINK				*		1	
13		21347109		FELT				*		1	
14		EA9500B0000		CLIP CV-70S				*		2	
15		CQ3000000F0		OIL FELT				*		0.-0028	
16		40018339		SCREW						1	
17		B1414555000		SLIDE BLOCK						1	
18		WP0501046SC		WASHER 5X13X1						1	
19	D	21376306		TRIANGULAR LEVER						1	
20		SS6110610TP		SCREW 11/64-40 L=6						1	
21		B1414555000		SLIDE BLOCK						1	
22		10509701		FELT						1	
23		B1465526000		WALKING BAR DRIVING LINK						1	
24		40033030		WALKING BAR A						1	
25		21376157		UPPER FEED SPRING HOLDER ASM.						1	
26		B1468053000		WALKING BAR SPRING						1	
27		SS6090910TP		SCREW 9/64-40 L=9						1	
28		21341300		UPPER FEED GUIDE PLATE						1	
29		26225201		ROLLER						2	
30		SS6151920SP		SCREW 15/64-28 L=19.0						2	
31		21340104		UPPER FEED ROD						1	
32		D1456055B00		HINGE SCREW						1	
33		D1455055B00		CONNECTING STUD						1	
34		WP0482086SD		WASHER 4.8X11.5X2						1	
35		NS6110530SP		NUT 11/64-40						1	
36		21437900		UPPER FEED REAR ARM						1	
37		SM6062502TP		SCREW M6 L=25						1	
38		22814909		FELT						1	
39		B1501241H00		PRESSER BAR						1	
40		40033032		PRESSER BAR HOLDER A ASM.						1	
41		40033031		PRESSER BAR HOLDER A				*		1	
42		SS7110910TP		SCREW 11/64-40 L= 8.5				*		1	
43		B1510141H00		PRESSER SPRING	OPTIONAL PARTS					1	
44		B1502246000		PRESSER SPRING						1	
45		SD0800481SP		HINGE SCREW D=8 H=4.9						1	

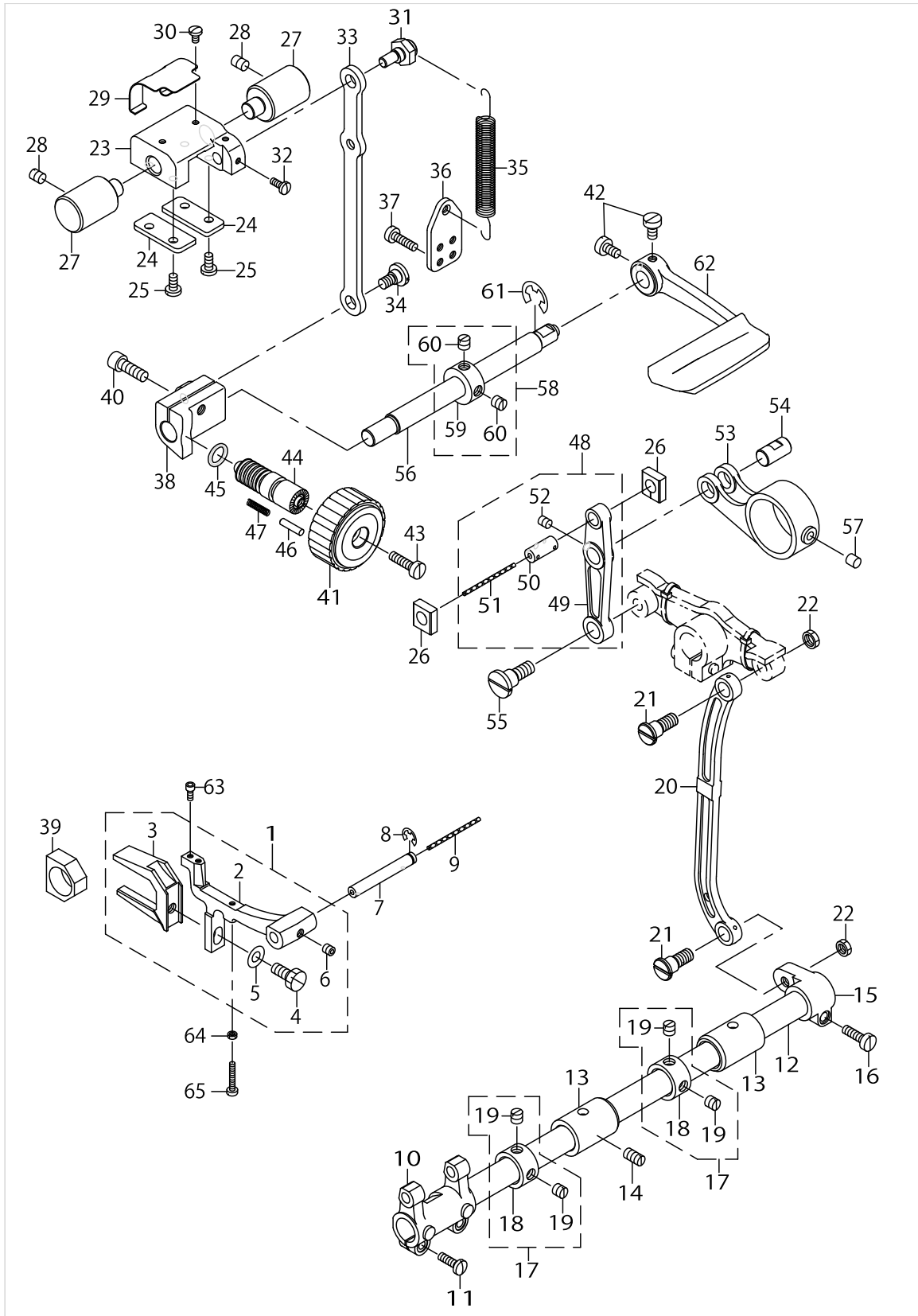
PRESSURE ADJUSTING & UPPER FEED MECHANISM COMPONENTS



PRESSURE ADJUSTING & UPPER FEED MECHANISM COMPONENTS

No.	Supply Code	Parts No.	Replacement	Parts name	Remarks	Choice	Step	Level	Cons	Qty	Rep. QTY
46		21341151		THREAD RELEASE HOLDING PLATE						1	
47		B1462053000		THREAD RELEASE SPRING						1	
48		21406103		PRESSER LIFTER LEVER						1	
49		40034204		HAND LIFTER SCREW						1	
50		23010606		WALKING BAR SUPPORT PLATE						1	
51	R	SS7110910SP	SS7110910TP	SCREW 11/64-40 L=8.5						2	1.00
52		21340906		PRESSER ADJUSTING SCREW						1	
53		40018340		SCREW						2	
54		B1510155000		PRESSER BAR LOWER BUSHING						1	
55		SS8111010TP		SCREW 11/64-40 L=9.5						1	

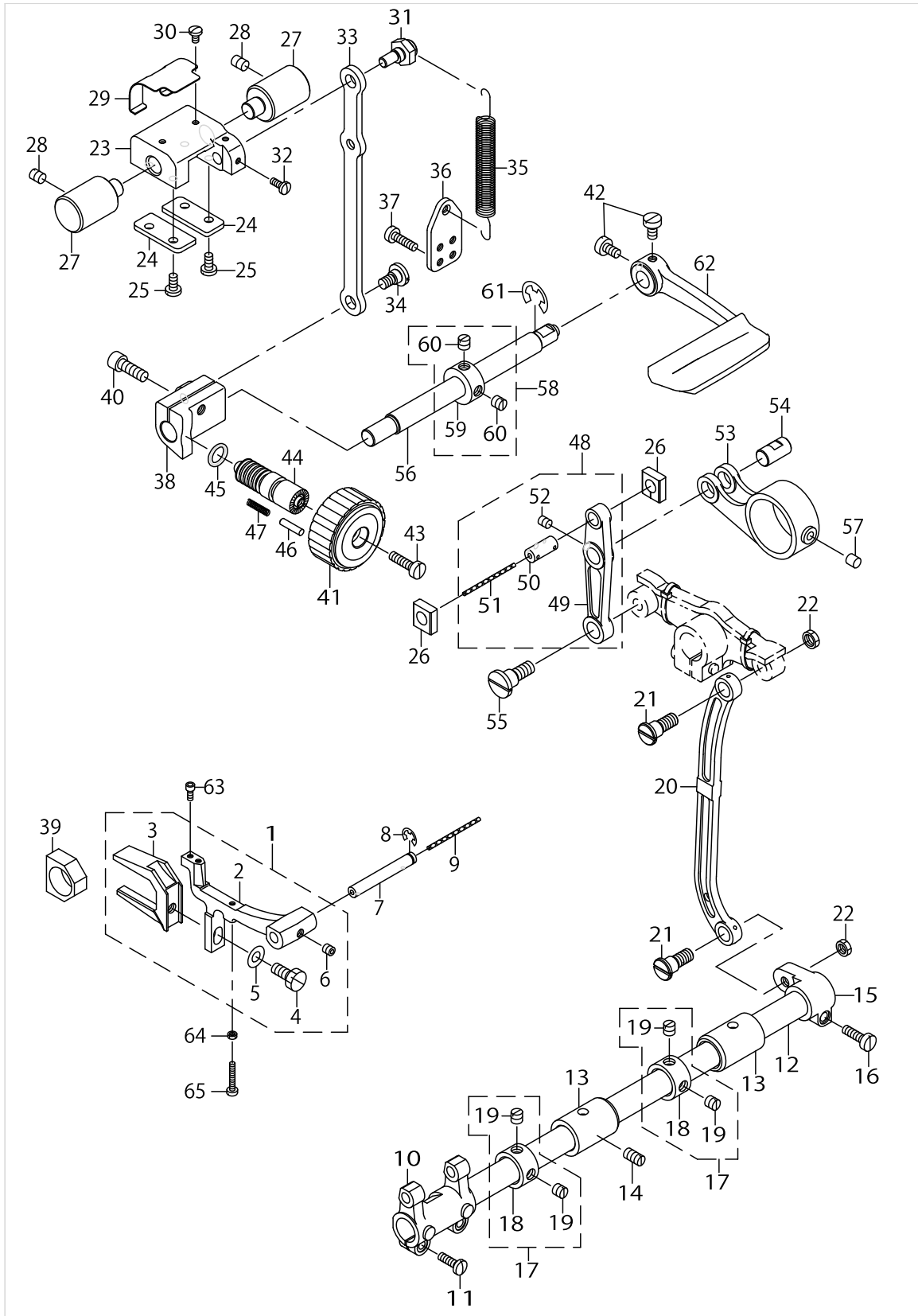
FEED MECHANISM COMPONENTS



FEED MECHANISM COMPONENTS

No.	Supply Code	Parts No.	Replacement	Parts name	Remarks	Choice	Step	Level	Cons	Qty	Rep. QTY
1		21364252		FEED BASE ASM.						1	
2	R	21364203	21364252	FEED BASE				*		1	1.00
3	R	10107902	40039258	FEED BAR FORK		A	PLC-17*	*		1	1.00
3	R	10107902	21336060	FEED BAR FORK		B	LU-1510N-7 NA-7	*		1	1.00
3	R	10107902	21364252	FEED BAR FORK		C	LU-1560N N-7 LU-1565	*		1	1.00
3	R	10107902	21393459	FEED BAR FORK		D	LU-1520N-7	*		1	1.00
3	R	10107902	23003353	FEED BAR FORK		E	PLC-16*	*		1	1.00
3	R	10107902	21336052	FEED BAR FORK		G	LU-1510/1510-7	*		1	1.00
3	R	10107902	22609762	FEED BAR FORK				*		1	1.00
4		SS9151440CP		SCREW15/64-28L=14				*		1	
5		WP0621016SD		WASHER 6.2X13X1				*		1	
6		SM8050502TP		SCREW M5 L=5				*		1	
7		B1604012000A		FEED BAR SHAFT						1	
8		RE0500711KP		SNAP RING 5						1	
9		CQ202000000		OIL WICK						.14	
10		21364104		FEED ROCKER						1	
11	R	SS7111410SP	SS7111410TP	SCREW11/64-40L=14						2	1.00
12		22609408		FEED ROCK SHAFT						1	
13		21378302		FEED SHAFT METAL						2	
14		SS8151150TP		SCREW 15/64-28 L=10.5						1	
15		22609309		FEED ROCKER SHAFT CRANK						1	
16		SS6121610TP		SCREW 3/16-28 L=15.5						1	
17		22904155		MAIN SHAFT THRU- ST COLLAR ASM.						2	
18	R	22904106	22904155	MAIN SHAFT THRUST COLLAR				*		1	1.00
19		SS8660610TP		SCREW 1/4-40 L=6				*		2	
20		10205201		NEEDLE BAR FRAME ROD						1	
21		SD0900701TP		HINGESCROWD=9H=7						1	
22		NS6680320SP		NUT 9/32-28						1	
23		21337506		FEED ADJUSTING BASE						1	
24		21337704		FEED ADJUSTING BASE COVER						2	
25		SS7110910TP		SCREW 11/64-40 L=8.5						4	
26		21337407		SQUARE BLOCK						2	
27		21337803		FEED ADJUSTING BASE SUPPORT						2	
28		SS8150822TP		SCREW 15/64-28 L=8						2	
29		21338306		FELT SUPPORT						1	
30		SS7090610SP		SCREW 9/64-40 L=6						2	
31		21337902		ECCENTRIC PIN						1	
32		SS7090910TP		SCREW 9/64-40 L=8.5						2	
33		21337308		FEED ADJUSTING ROD						1	
34		SD0800402TP		HINGESCROWD=8H=4						1	
35		21337605		SPRING						1	
36		40019926		SPRING HOOK						1	
37		SS6111610SP		SCREW11/64-40L=16						2	
38		21337209		FEED ADJUSTING A						1	
39		B1610512000		FEED DRIVING SLIDE BLOCK						1	

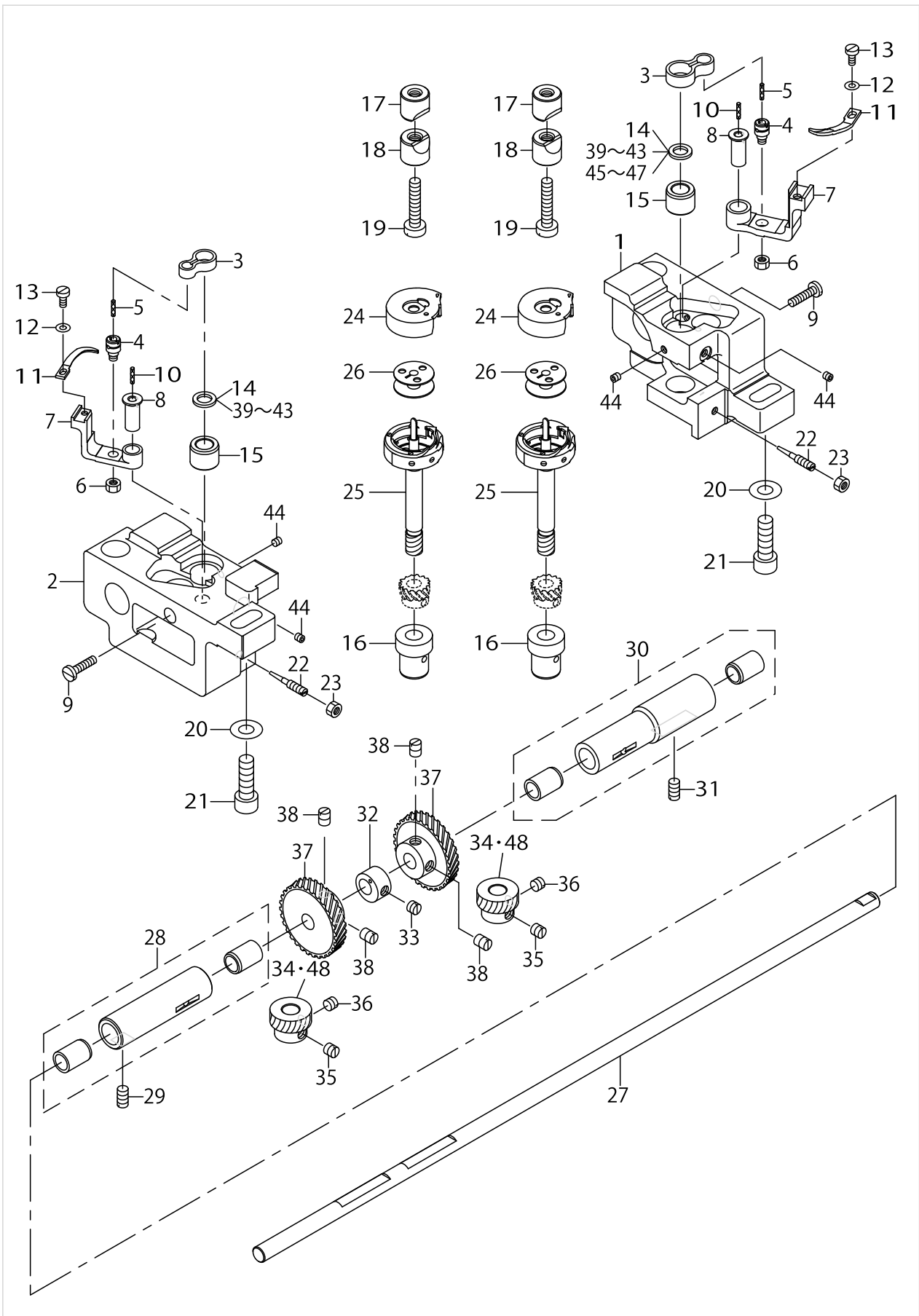
FEED MECHANISM COMPONENTS



FEED MECHANISM COMPONENTS

No.	Supply Code	Parts No.	Replacement	Parts name	Remarks	Choice	Step	Level	Cons	Qty	Rep. QTY
40		SM6061802TP		SCREW M6 L=18						1	
41		21336805		FEED DIAL A						1	
42		SS6120930TP		SCREW 3/16-28 L=9						2	
43		SS6121860SP		SCREW 3/16-28 L=18						1	
44		22911804		FEED REGULATOR SCREW						1	
45		RO092270200		RUBBER RING						1	
46		22912000		FEED REGULATOR PIN						1	
47		22912109		FEED REGULATOR PIN SPRING						1	
48		21336656		FEED LINK ASM.						1	
49		21336607		FEED LINK				*		1	
50		40009103		CONNECTING FORKED LINK PIN				*		1	
51		CQ202000000		OIL WICK				*		0.04	
52		SM8050612TP		SCREW M5X6				*		1	
53		21336706		FEED ROD A						1	
54		21378906		FEED LINK PIN						1	
55		SD1000801SH		HINGE SCREW D=10 H=8						1	
56		21336300		BACKWARD FEED LEVER SHAFT						1	
57		21387402		FELT						1	
58		CS1201010SH		THRUST COLLAR ASM. D=12 W=10						1	
59		CS1201011SH		THRUST COLLAR D=12 W=10				*		1	
60		SS8660610TP		SCREW 1/4-40 L=6				*		2	
61		RE0900000K0		E-RING 9						1	
62		21388004		REVERSE FEED CONTROL LEVER						1	
63		SS6580752TP		SCREW 1/8-40 L=7						2	
64		NS6080210SP		NUT 1/8-44						1	
65		SS6081810SP		SCREW 1/8-44 L=18.0						1	

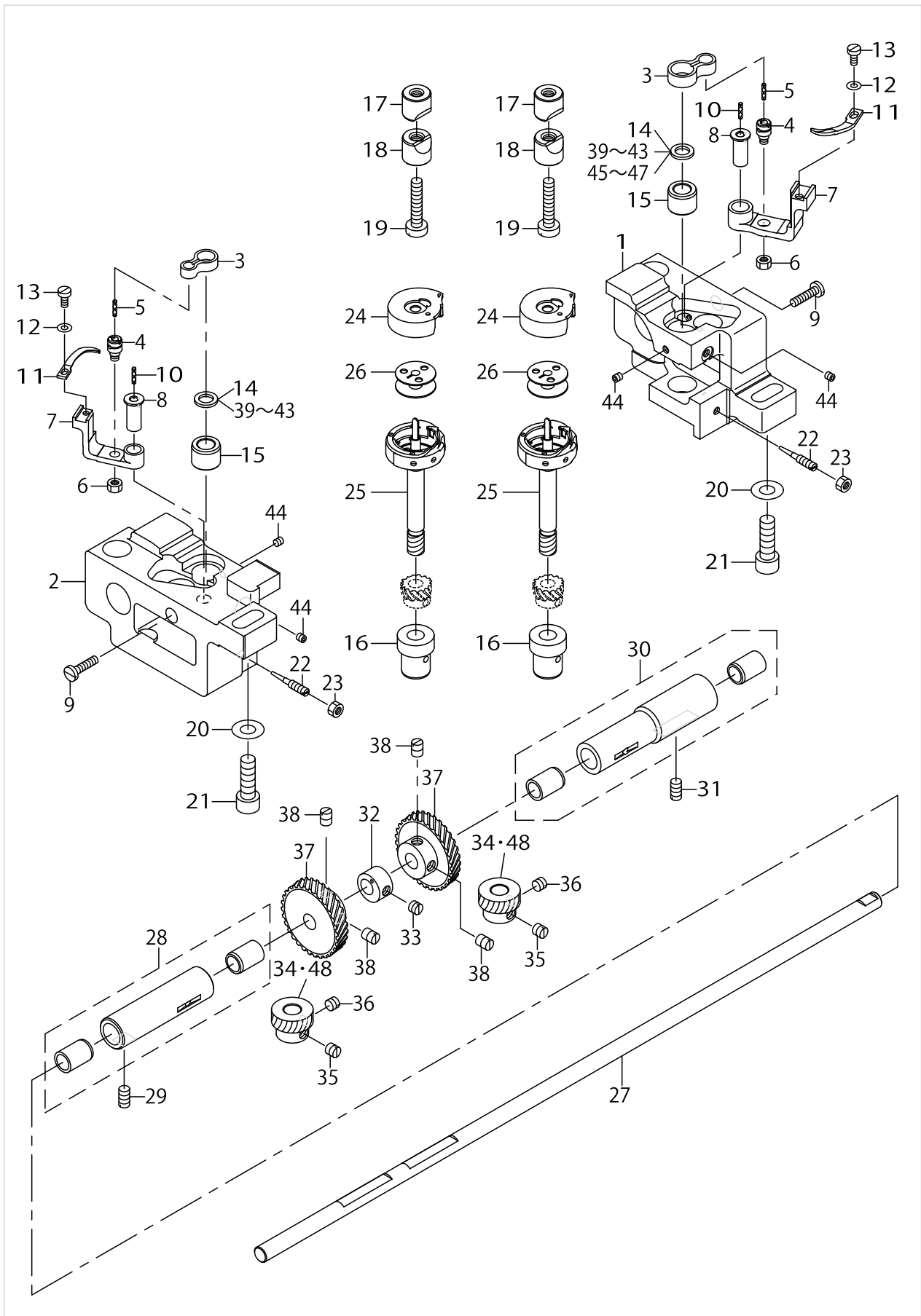
HOOK SHAFT & LOWER SHAFT COMPONENTS



HOOK SHAFT & LOWER SHAFT COMPONENTS

No.	Supply Code	Parts No.	Replacement	Parts name	Remarks	Choice	Step	Level	Cons	Qty	Rep. QTY
1		21335005		HOOK SHAFT BASE (RIGHT)						1	
2	D	21362009		HOOK SHAFT BASE(LEFT)						1	
3		B1820563000		BOBBIN CASE OPE- NING LEVER LINK						2	
4		B1821051000		CRANK SCREW STUD						2	
5		CQ202000000		OIL WICK						.02	
6		NS6110420SP		NUT 11/64-40						2	
7		B1822563000		BOBBIN CASE OPE- NING LEVER CRANK						2	
8		B1823051000		OPENING LEVER CRANK PIN						2	
9		SS7111810TP		SCREW 11/64-40L=18						2	
10		CQ202000000		OIL WICK						.02	
11		B1824563000		BOBBIN CASE OPENING LEVER						2	
12		WP0371016SD		WASHER 3.7X8X1						2	
13		SS6090810SP		SCREW 9/64-40 L=7.5						2	
14		10111102		THRUST WASHER 1.3	SELECTIVE PARTS					2	
15		21378500		HOOK SHAFT UPPER METAL						2	
16		21334701		HOOK SHAFT LOWER METAL						2	
17		10109908		SADDLE INSTALLIN- G BLOCK UPPER						2	
18		10112407		SADDLE INSTALLIN- G BLOCK LOWER						2	
19		SS6153040SP		SCREW 15/64-28L=30						2	
20		WP0850002SP		WASHER 8.5X18X1.6						2	
21		SM6082502TP		SCREW M8 L=25						2	
22		B1843563000		OIL ADJUSTING SCREW						2	
23		NS6110420SP		NUT 11/64-40						2	
24		B18375260A0		BOBBIN CASE						2	
25		B18305210A0		VERTICAL HOOK ASM. A						2	
26		B9117563000		BOBBIN						2	
27		21361704		LOWER SHAFT						1	
28		B18025120A0A		BUSHING ASM. FRONT						1	
29		SS8151150TP		SCREW 15/64-28 L=10.5						1	
30		B18035150A0		BUSHING ASM. INTERMEDIATE						1	
31		SS8151150TP		SCREW 15/64-28 L=10.5						1	
32		22609804		FEED DRIVING CAM						1	
33		SS8660530TP		SCREW 1/4-40 L=4.5						1	
34		B1817051000		HOOK DRIVING SH- AFT GEAR SMALL	SELECTIVE PARTS					2	
35		SS8660670SP		SCREW 1/4-40 L=6.1						2	
36		SS8660530TP		SCREW 1/4-40 L=4.5						2	
37		B1816051000		HOOK DRIVING SH- AFT GEAR LARGE						2	
38		SS8660810TP		SCREW 1/4-40 L=8						4	
39		10109700		THRUST WASHER A	SELECTIVE PARTS					2	
40		10109809		THRUST WASHER B	SELECTIVE PARTS					2	
41		10110906		BUSHING THRUST 1.1	SELECTIVE PARTS					2	
42		10111003		THRUST WASHER 1.2	SELECTIVE PARTS					2	
43		10111201		THRUST WASHER 1.4	SELECTIVE PARTS					2	
44		SS8110422TP		SCREW 11/64-40 L=4						4	

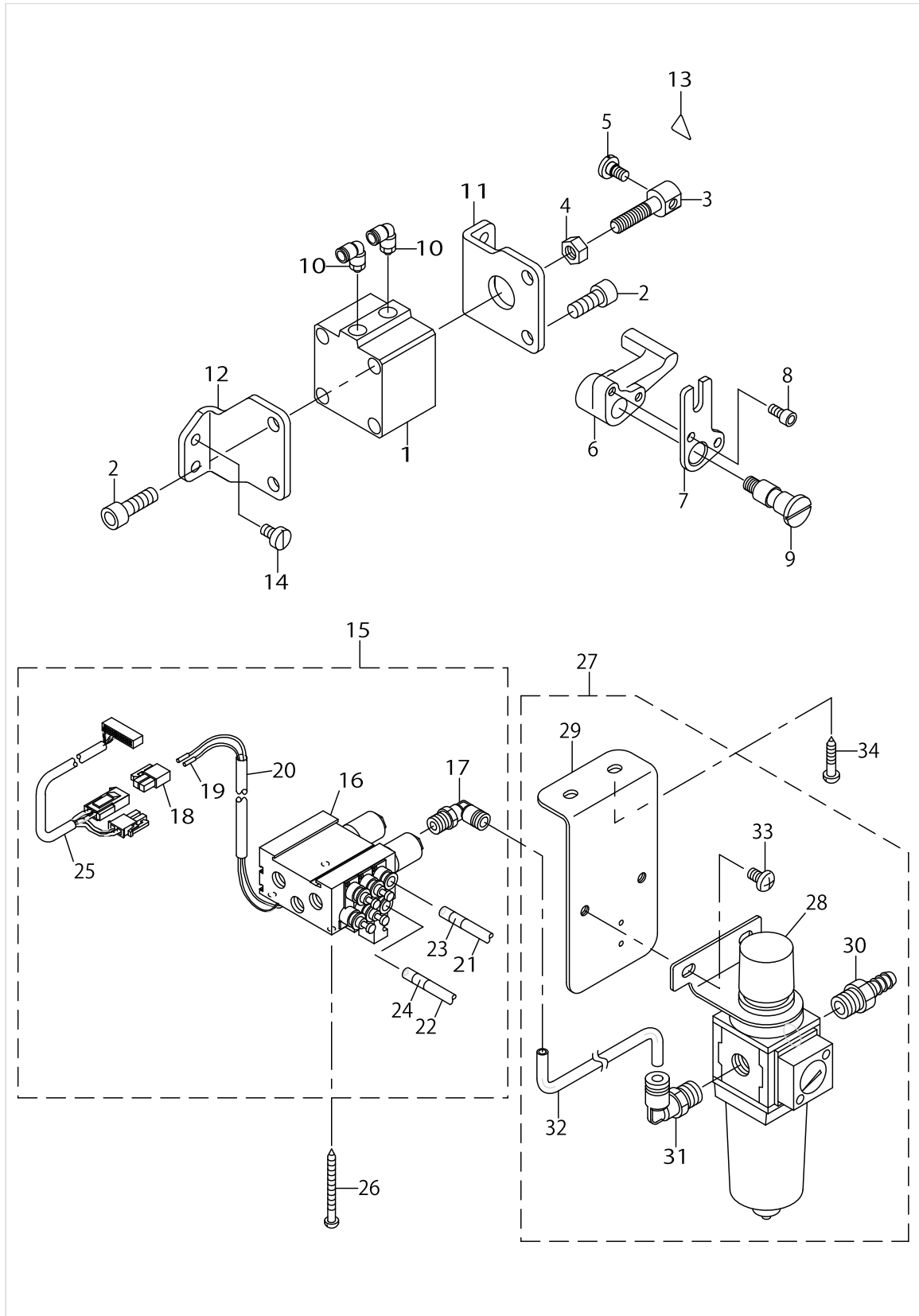
HOOK SHAFT & LOWER SHAFT COMPONENTS



HOOK SHAFT & LOWER SHAFT COMPONENTS

No.	Supply Code	Parts No.	Replacement	Parts name	Remarks	Choice	Step	Level	Cons	Qty	Rep. QTY
45		10112506		THRUST WASHER 1.6	SELECTIVE PARTS					2	
46		10112605		THRUST WASHER 1.7	SELECTIVE PARTS					2	
47		10112704		THRUST WASHER 1.8	SELECTIVE PARTS					2	
48		40042611		HOOK DRIVING SHAFT GEAR	SELECTIVE PARTS					2	

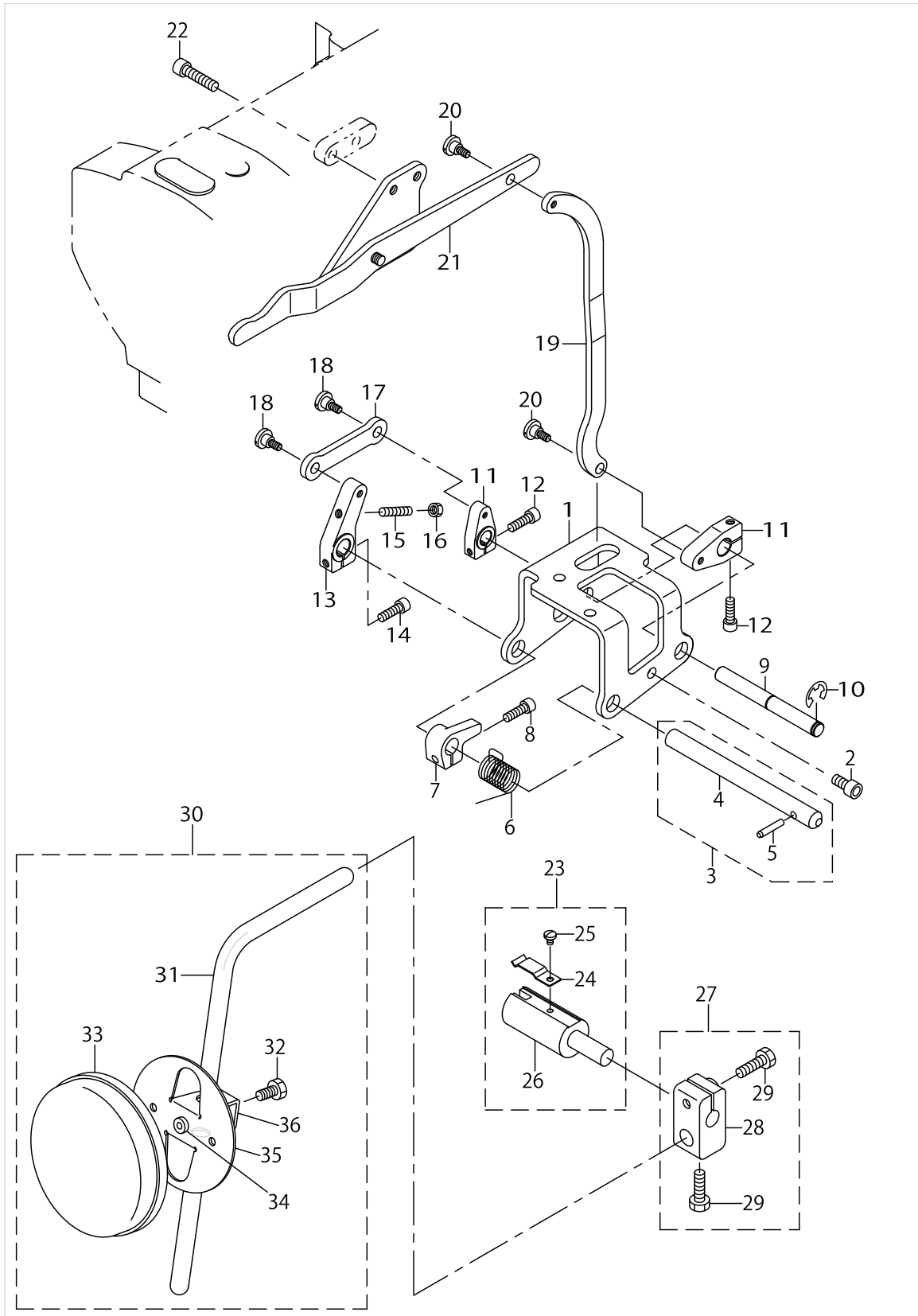
AUTOMATIC PRESSER LIFTING MECHANISM COMPONENTS (OPTIONAL PARTS)



AUTOMATIC PRESSER LIFTING MECHANISM COMPONENTS (OPTIONAL PARTS)

No.	Supply Code	Parts No.	Replacement	Parts name	Remarks	Choice	Step	Level	Cons	Qty	Rep. QTY
1		PA400150100		AIR CYLINDER						1	
2		SM6082002TP		SCREW M8 L=20						4	
3		21356506		CYLINDER CONNECTING SCREW						1	
4		NM6080001SE		NUT M8						1	
5		SD0720331SP		HINGE SCREW D=7.24 H=3.3						1	
6		21356605		LEVER A						1	
7		21356803		LEVER B						1	
8		SM6051002TP		SCREW M5X0.8 L=10						2	
9		21356704		SHAFT						1	
10		PJ304065101		ELBOW UNION 6XPT1/8						2	
11		21356308		CYLINDER STAY(FRONT)						1	
12		21356407		CYLINDER STAY(REAR)						1	
13		CM300200001		ATTENTION SEAL						1	
14		SS6151040SP		SCREW15/64-28L=10						4	
15		40103003		AIR APPARATUS(P)ASM.						1	
16		40038904		MAGNETIC VALVE(P)				*		1	
17		GAK29010000		ELBOW B				*		1	
18		HK034610020		2-POLE NYLON PLUG				*		1	
19		HK03464000A		TERMINAL FEMALE				*		2	
20		GAKA1503000		INSULATION TUBE				*		1	
21		BT0600401EB		TUBE				*		1.3	
22		BT0600401EB		TUBE				*		1.3	
23		HX00295000A		WIRE MARK(2)				*		4	
24		HX00295000B		WIRE MARK(3)				*		4	
25		40105811		CORD ASM.				*		1	
26		SK3385001SE		WOOD SCREW D=3.8 L=50						4	
27		40038722		FILTER REGULATAR ASM.						1	
28		PF0552170A0		FILTER REGULATOR				*		1	
29		40038723		FILTER REGULATOR MOUNTING PLATE				*		1	
30		40107618		NIPPLE				*		1	
31		GAK29009000		ELBOW				*		1	
32		BT0600401EB		TUBE				*		0.28	
33		SM4061001SB		SCREW M6 L=10				*		2	
34		SK3482501SE		WOOD SCREW D=4.8 L=25						2	

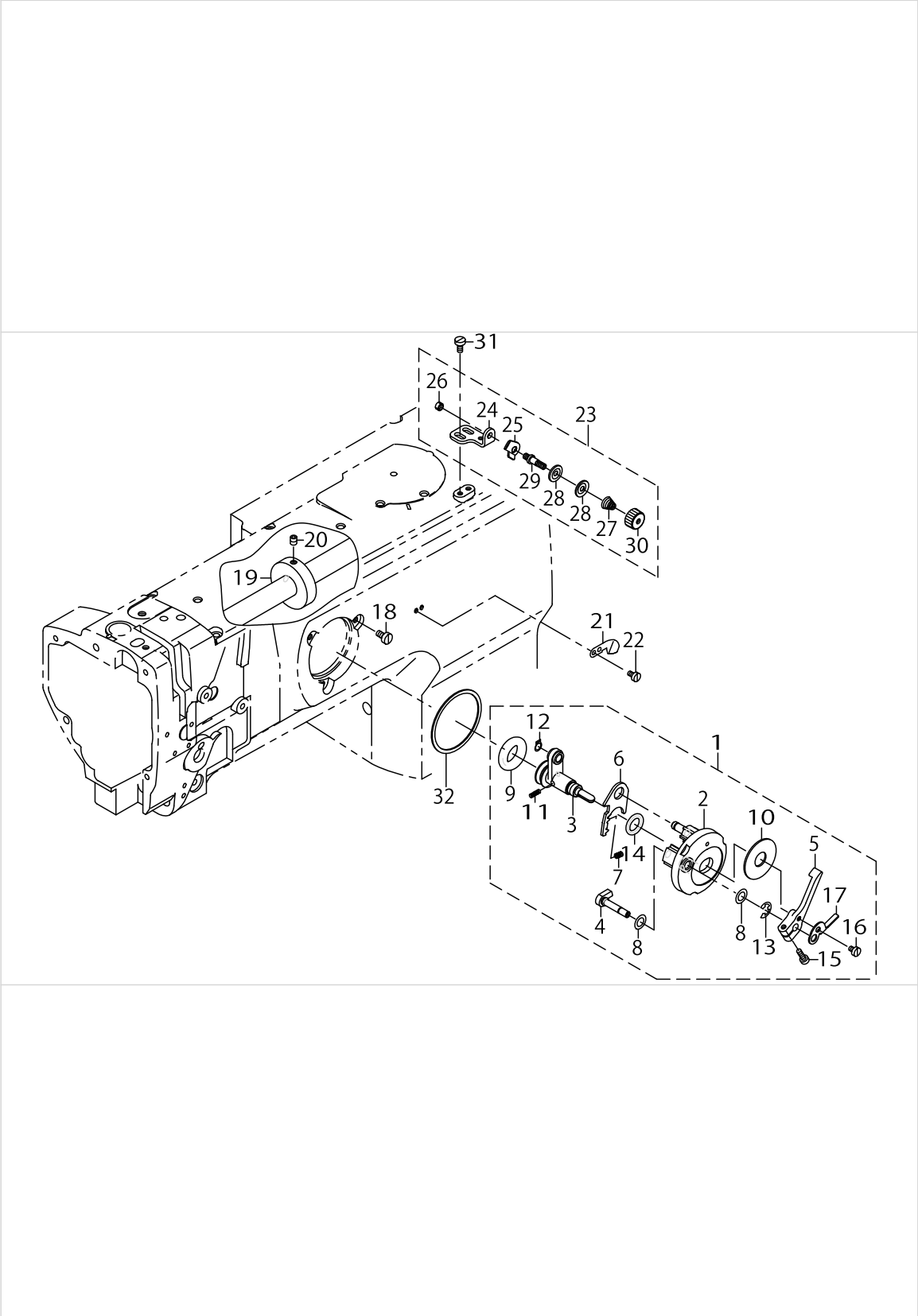
KNEE LIFTING COMPONENTS



KNEE LIFTING COMPONENTS

No.	Supply Code	Parts No.	Replacement	Parts name	Remarks	Choice	Step	Level	Cons	Qty	Rep. QTY
1		21343207		KNEE LIFTER SHAFT BASIS						1	
2		SM6061202TP		SCREW M6 L=12						3	
3		21342555		KNEE LIFTER SHAFT A ASM.						1	
4	R	21342506	21342555	KNEELIFTERSCHAFTA				*		1	1.00
5	R	21342605	21342555	KNEE LIFTER SHAFT PIN				*		1	1.00
6		21343702		KNEE LIFTER SHAFT A SPRING						1	
7		21343801		KNEE LIFTER SPRING RACK						1	
8		SM6051602TP		SCREW M5X0.8 L=16						1	
9		21342704		KNEELIFTERSCHAFTB						1	
10		RE0800000K0		E-SHAPED SNAP RING (8MM)						1	
11		21343009		KNEELIFTERLEVERB						2	
12		SM6052002TP		SCREW M5 L=20						2	
13		21342803		KNEELIFTERLEVERA						1	
14		SM6052002TP		SCREW M5 L=20						1	
15		SM8052502TP		SCREW M5X0.8 L=25						1	
16		NM6050001SD		NUT M5X0.8						1	
17		21342902		KNEE LIFTER LINK						1	
18		SD0700451TP		HINGE SCREW D=7 H=4.5						2	
19		21343405		KNEE LIFTER CONNECTING PLATE						1	
20		SD0700451TP		HINGE SCREW D=7 H=4.5						2	
21		21343355		KNEE LIFTER LEVER ASM.						1	
22		SM6062502TP		SCREW M6 L=25						2	
23		22863252		KNEE LIFTER JOINT ASM.						1	
24		B3428521000		PRESSER SPRING				*		1	
25		SS7090510SP		SCREW 9/64-40 L=4.6				*		1	
26	R	22863203	22863252	KNEE LIFTER JOINT				*		1	1.00
27		22932453		BRACKET ASM.						1	
28	R	22932404	22932453	BRACKET				*		1	1.00
29		22934707		SCREW				*		2	
30		21343157		KNEE PRESS PLATE ASM.						1	
31	R	21343108	21343157	KNEE PRESS LEVER				*		1	1.00
32		SM9061203SE		SCREW M6 L=12				*		1	
33		22934509		KNEE PAD PLATE COVER				*		1	
34		22934400		KNEE PAD PLATE RUBBER				*		1	
35		22934202		KNEE PAD PLATE				*		1	
36		22934301		KNEE PAD PLATE SUPPORT				*		1	

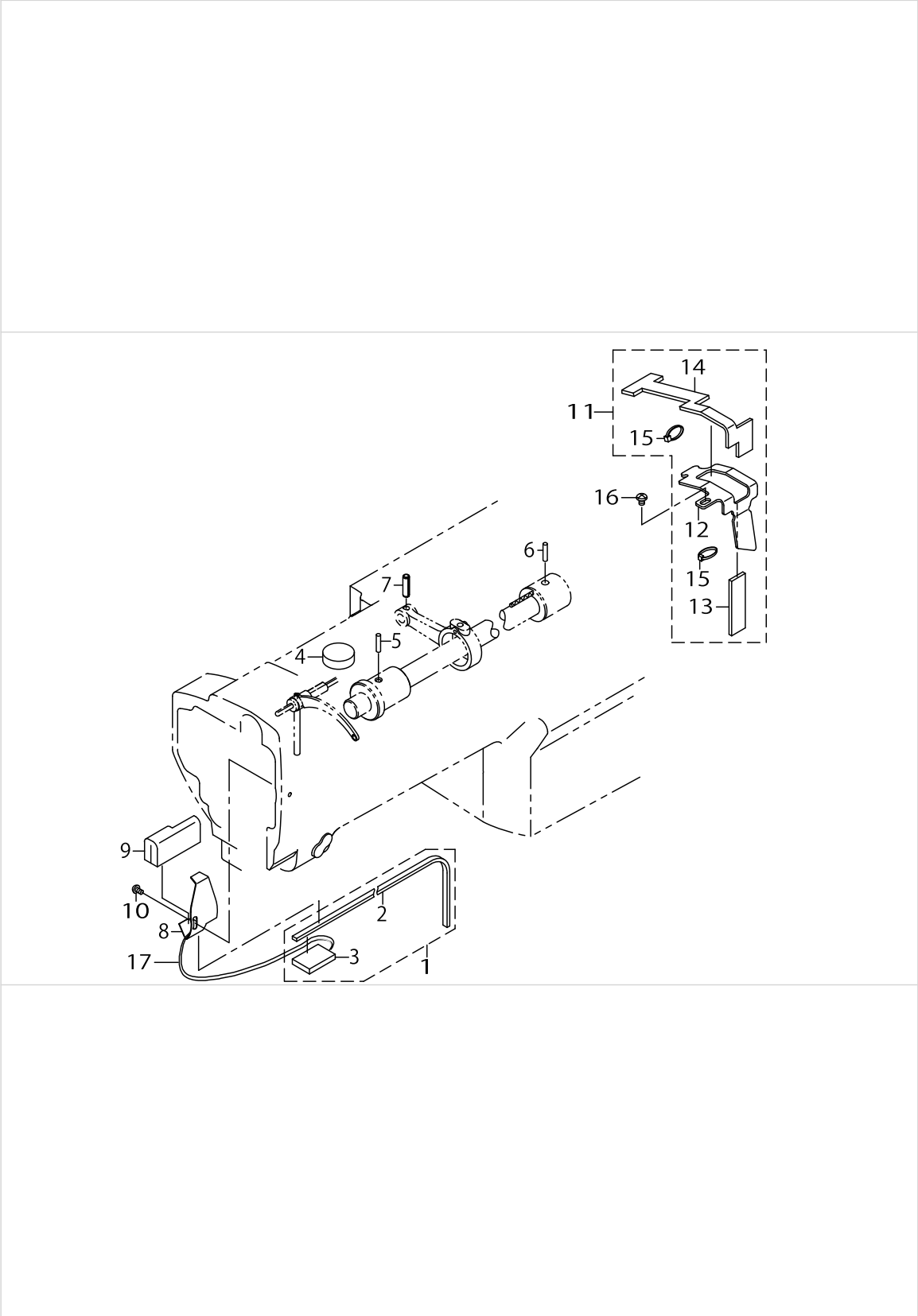
LOWER THREAD WINDER MECHANISM COMPONENTS



LOWER THREAD WINDER MECHANISM COMPONENTS

No.	Supply Code	Parts No.	Replacement	Parts name	Remarks	Choice	Step	Level	Cons	Qty	Rep. QTY
1		21357967		BOBBIN DEVICE ASM.						1	
2		22537658		BOBBIN FITTING BASIS COMPL.				*		1	
3		21357959		BOBIN SHAFT COMPL.				*		1	
4		22538151		BOBBIN CAM SHAFT COMPL.				*		1	
5		23636202		BOBBIN LEVER				*		1	
6		21356001		ADJUSTING PLATE				*		1	
7		B152989000CA		PRESSUR FOOT SPRING				*		1	
8		10618304		VERTICAL ROLLER WASHER				*		2	
9		21358205		RUBBER RING				*		1	
10		B3205210000		CUSHION				*		1	
11	R	B1148555000	22912109	SPRING				*		1	1.00
12		RC0560711KP		RETAINING RING				*		1	
13		RE0500000K0		E-RING				*		1	
14		RO092270200		RUBBER RING				*		1	
15		SS7091410SP		SCREW 9/64-40 L=13.5				*		1	
16		SS6090520SP		SCREW 9/64-40 L=5.0				*		1	
17		14512503		BOBBIN ADJU				*		1	
18		SS6110810TP		SCREW 11/64-40 L=8						3	
19		10704807		BOBBIN FRICTION WHEEL						1	
20		SM8050602TP		SCREW M5 L=6						2	
21		10502300		THREAD CUTTER						1	
22	R	SS6090620SP	SS6090620TP	SCREW 9/64-40 L=6						2	1.00
23		21355755		LOWER THREAD GUIDE ASM.						1	
24	R	21355706	21355755	FITTING BASE				*		1	1.00
25		D3162555B00		THREAD GUIDE				*		1	
26		NS6110310SP		NUT 11/64-40				*		1	
27		22945505		THREAD TENSION SPRING				*		1	
28		40113092		THREAD TENSION DISK				*		2	
29	R	21378708	21355755	THREAD TENSION POST				*		1	1.00
30		22945703		THREAD TENSION NUT				*		1	
31		SM6040800SP		SCREW						2	
32		22538706		PACKING						1	

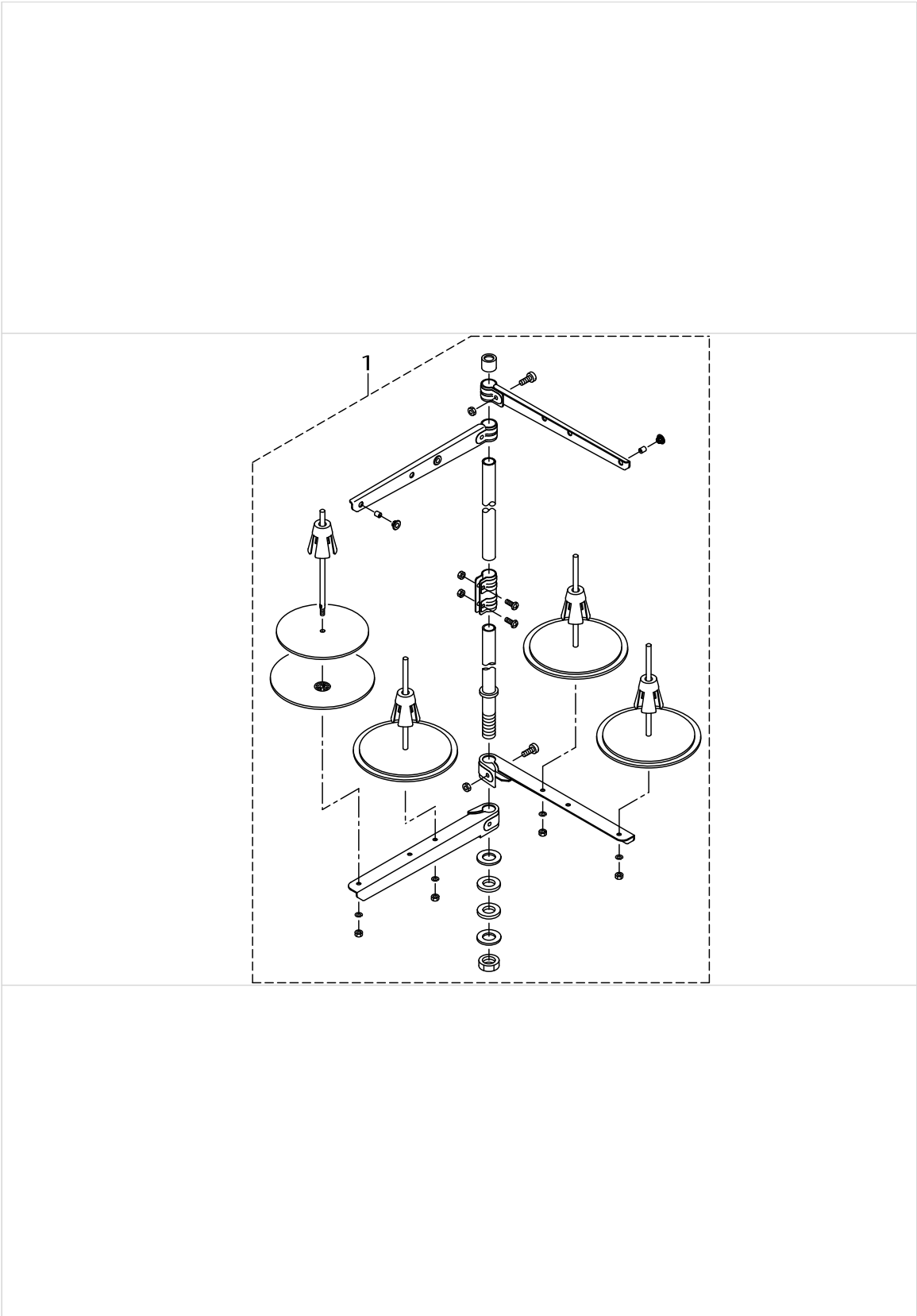
LUBRICATION COMPONENTS



LUBRICATION COMPONENTS

No.	Supply Code	Parts No.	Replacement	Parts name	Remarks	Choice	Step	Level	Cons	Qty	Rep. QTY
1		21345855		FELT (ASM.)						1	
2		21345806		FELT B				*		1	
3		21345905		FACE ONCE THROUGH FELT				*		1	
4		21346002		FELT						1	
5		B1412051000		FELT						1	
6		B1412051000		FELT						1	
7		PS0500202KP		SPRING PIN 5X20						1	
8		21347000		TAKE-UP OIL PLATE						1	
9		21347208		TAKE-UP LUBRICATION FELT						1	
10		SS3090610SP		SCREW 9/64-40 L=6						1	
11		21346358		FELT SUPPORT ASM.						1	
12		21346309		FELT				*		1	
13		21346408		FELT				*		1	
14		21346507		FEED CHANGE FELT				*		1	
15		EA9500B0000		CLIP CV-70S				*		2	
16		SS4110615SP		SCREW 11/64-40 L=6						1	
17		CQ202000000		OIL WICK						.2	

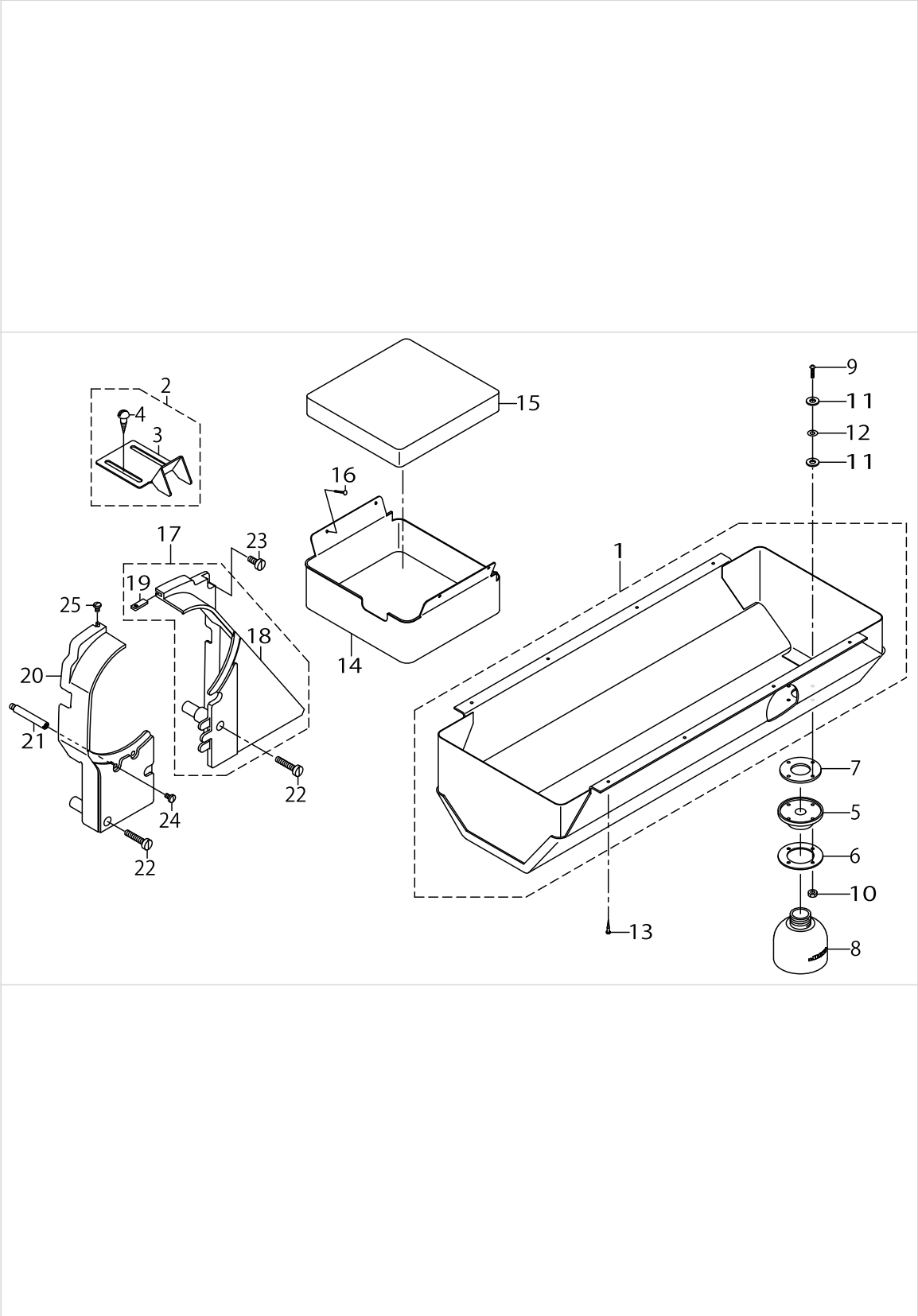
THREAD STAND COMPONENTS



THREAD STAND COMPONENTS

No.	Supply Code	Parts No.	Replacement	Parts name	Remarks	Choice	Step	Level	Cons	Qty	Rep. QTY
1		26910158		THREAD STANDING DEVICE ASM.						1	

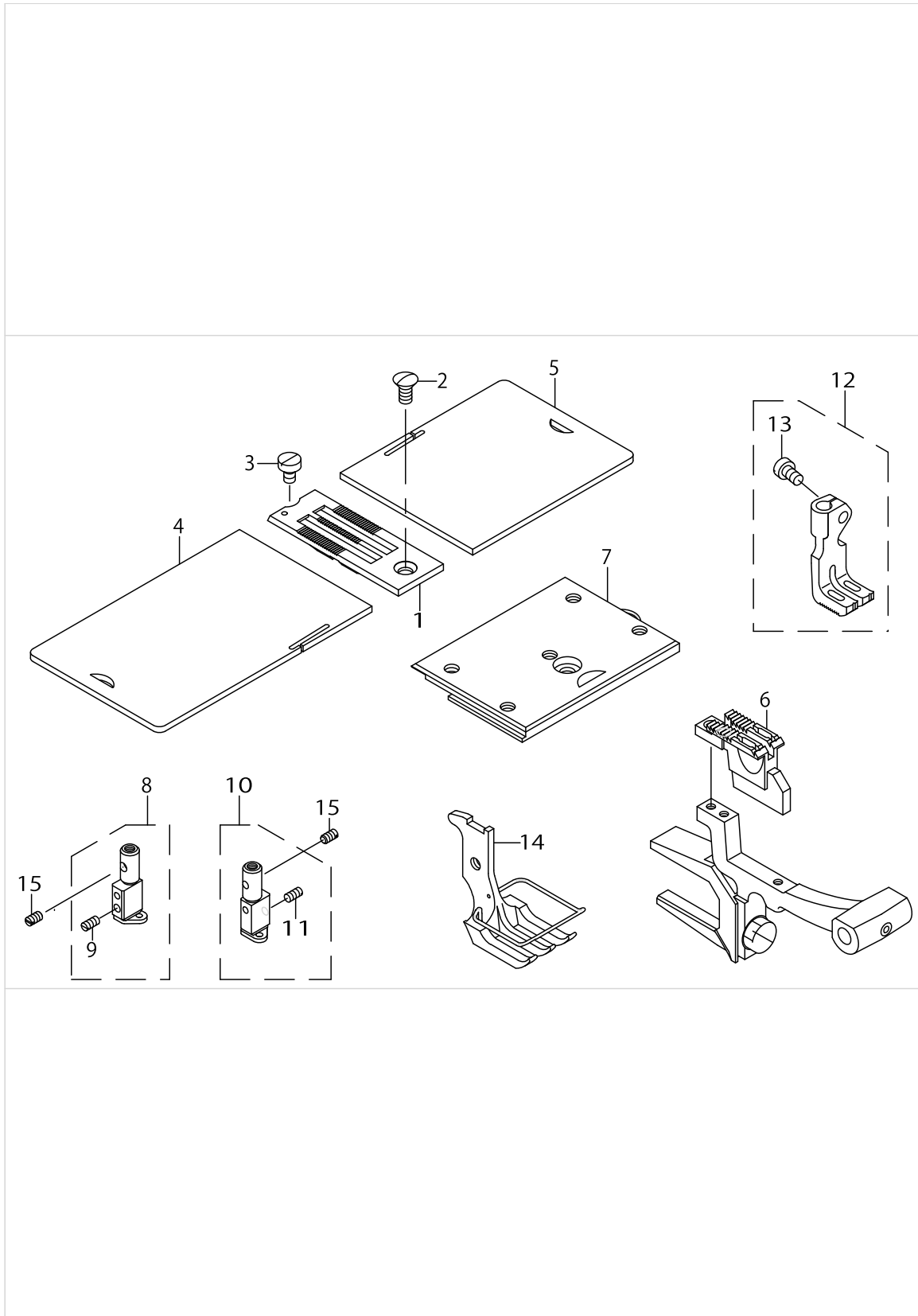
BELT COVER & OIL RESERVOIR COMPONENTS



BELT COVER & OIL RESERVOIR COMPONENTS

No.	Supply Code	Parts No.	Replacement	Parts name	Remarks	Choice	Step	Level	Cons	Qty	Rep. QTY
1		21351457		OIL RESERVOIR ASM.						1	
2		10755254		BELT COVER C ASM. (FOR JE)						1	
3		10755205		BELT COVER C(JE)				*		1	
4	R	SK3482500SC	SK3482501SE	WOOD SCREW D=4.8 L=25				*		2	1.00
5		40025299		OIL POT JOINT						1	
6		21379003		OIL MANAGEMENT WASHER						1	
7		B8112220000		OIL SEAL						1	
8		40025300		OIL POT						1	
9		SM3031401SE		SCREW M3X0.5 L=14						4	
10		NM6030001SC		NUT M3						4	
11		10748101		OIL REMOVING SET- SCREW PACKING						8	
12		WP0320501SC		WASHER M3						4	
13		SK3241601SC		WOOD SCREW D=2.4 L=16						8	
14		B1839563000		OIL RECEIVING COVER						1	
15		B1841563000		OIL DRIP FELT						1	
16		10539906		SET NAIL						4	
17		21351150		BELT COVER ASM. (RIGHT)						1	
18	R	21351101	21351150	BELT COVER (RIGHT)				*		1	1.00
19		21351002		BELT COVER AUXILIARY PLATE				*		1	
20		21351200		BELT COVER (LEFT)						1	
21		D8232241E00		BELT COVER SUPPORT A						1	
22		SS6153040SP		SCREW 15/64-28L=30						2	
23		SS6151440SP		SCREW 15/64-28L=14						1	
24		SS7110840SP		SCREW 11/64-40 L=7.8						1	
25		SS5110740TP		SCREW 11/64-40 L= 6.5						1	

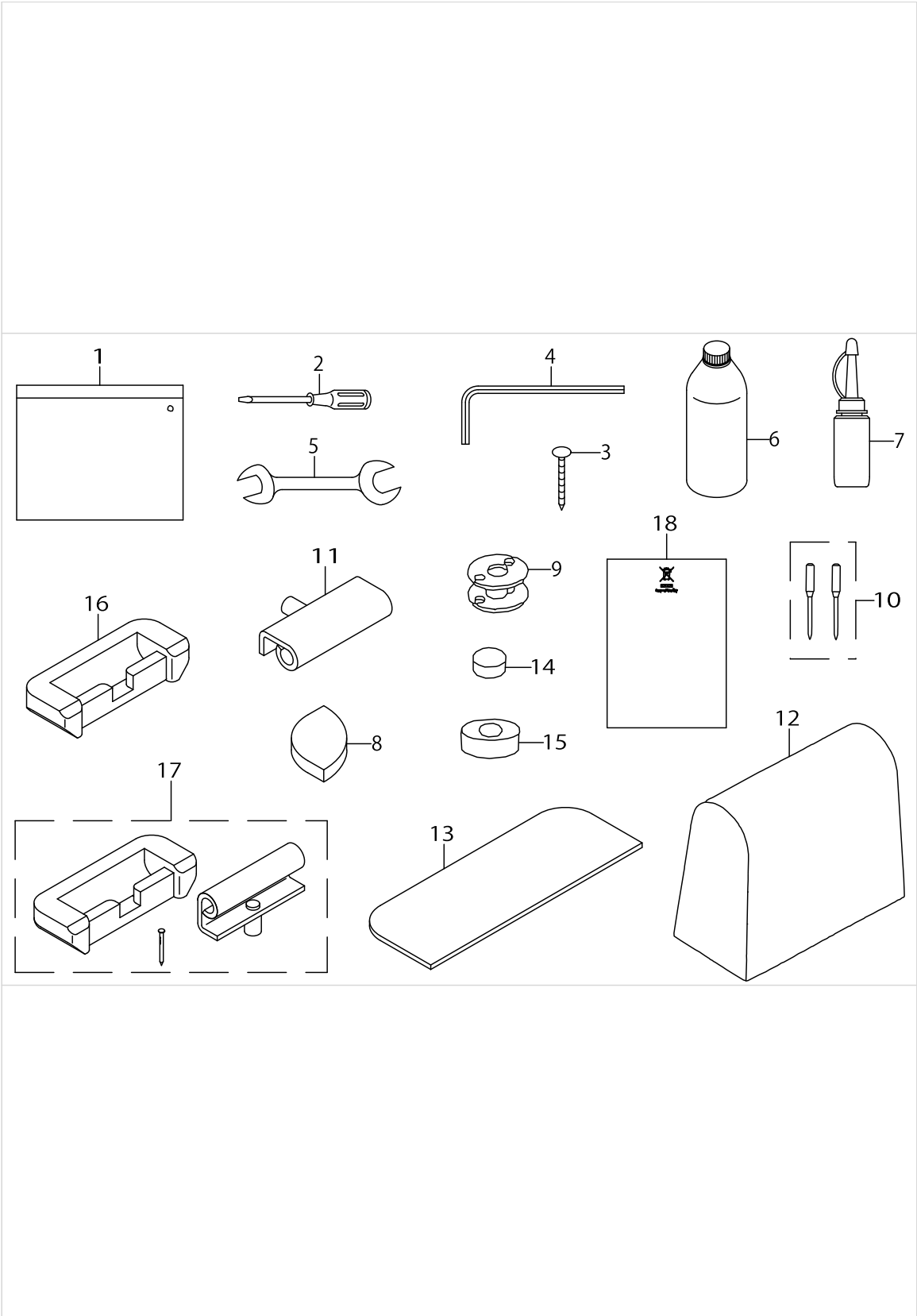
GAUGE COMPONENTS (STANDARD PARTS)



GAUGE COMPONENTS (STANDARD PARTS)

No.	Supply Code	Parts No.	Replacement	Parts name	Remarks	Choice	Step	Level	Cons	Qty	Rep. QTY
1		B1109521H00		THROAT PLATE 5/16	EXCHANGI- NG GAUGE PARTS					1	
2		SS2110920TP		SCREW 11/64-40 L=8.5						1	
3	R	SS6090630SP	SS6090630TP	SCREW 9/64-40 L=6						1	1.00
4		B1112512E00		BED SLIDE LEFT	EXCHANGI- NG GAUGE PARTS					1	
5		21377304		BED SLIDE LIGHT	EXCHANGI- NG GAUGE PARTS					1	
6		B1613521H00		FEED DOG 5/16	EXCHANGI- NG GAUGE PARTS					1	
7		22650055		BED SLIDE ASM.						1	
8		B1402526HALA		NEEDLE CLAMP LEFT ASM. 5/16	EXCHANGI- NG GAUGE PARTS (O- RDER FOR NEEDLE C- LAMP ONLY CANNOT B- E ACCEPTED.)					1	
9		SS8080660TP		SCREW 1/8-44 L=5.5				*		1	
10		B1402526HARA		NEEDLE CLAMP RIGHT ASM. 5/16	EXCHANGI- NG GAUGE PARTS (O- RDER FOR NEEDLE C- LAMP ONLY CANNOT B- E ACCEPTED.)					1	
11		SS8080660TP		SCREW 1/8-44 L=5.5				*		1	
12		B1470521HA0		WALKING FOOT ASM. 5/16	EXCHANGI- NG GAUGE PARTS					1	
13		SS6110710TP		SCREW 11/64-40 L= 6.5				*		1	
14		21367859		PRESSER FOOT ASM. 5/16	EXCHANGI- NG GAUGE PARTS					1	
15		B1425526000		SCREW 1/8-44 L=6						2	

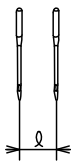
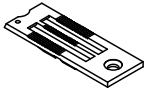
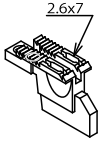
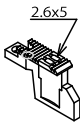
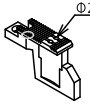

ACCESSORIES PARTS COMPONENTS

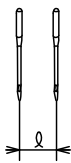


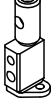
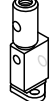


ACCESSORIES PARTS COMPONENTS

No.	Supply Code	Parts No.	Replacement	Parts name	Remarks	Choice	Step	Level	Cons	Qty	Rep. QTY
1		21413158		ACCESSORY BAG ASM.						1	
2		22933006		SCREW DRIVER LARGE						1	
3		B8210012000		CUSHION SET NAIL	COMPLETE SET DELIVERY ONLY					8	
4		B9102057000		WRENCH (3/32)						1	
5		B9113012000		WRENCH (9X10)						1	
6		MDFRX2700C0		NEW DEFRIX OIL NO.2(700CC)						1	
7		B91210120A0		OILER ASM.						1	
8		B8207012000		CUSHION (A)						4	
9		B9117563000		BOBBIN						1	
10		M13517B1602		NEEDLE 135X17 #160-2						1	
11	R	22926356	22958052	HINGE COMPL.						2	1.00
12		22933303		VINYL COVER						1	
13		10742005		SPACER						2	
14		B8206012000		FELT CUSHION						4	
15		B8209012000		RUBBER CUSHION						4	
16	R	22926000	22958052	RUBBER CUSHION						2	1.00
17		21413257		RUBBER HINGE ASM.	HEAD ONLY, HEAD AND MOTOR DELIVERY ONLY					1	
18		CM600100201		WEEE INFORMATION SHEET						1	

TABLE OF EXCHANGE GAUGE PARTS

Needle gauge size 針幅	Throat plate 針板		Feed Dog 送り歯		Feed Dog 送り歯		Feed Dog 送り歯		Presser Foot asm. 押さえ足組		
	Ref.No	Part No.	Ref.No	Part No.	Ref.No	Part No.	Ref.No	Part No.	Ref.No	Part No.	
											
	(3/16)	1	B1109-521-D00	6	B1613-521-D00	11	B1613-521-D0A	16	B1613-521-D0B	21	213-67651
	(1/4)	2	B1109-521-F00	7	B1613-521-F00	12	B1613-521-F0A	17	B1613-521-F0B	22	213-67750
	(5/16)	3	B1109-521-H00	8	B1613-521-H00	13	B1613-521-H0A	18	B1613-521-H0B	23	213-67859
	(3/8)	4	B1109-521-K00	9	B1613-521-K00	14	B1613-521-K0A	19	B1613-521-K0B	24	213-67958
	(1/2)	5	B1109-521-L00	10	B1613-521-L00	15	B1613-521-L0A	20	B1613-521-L0B	25	213-68055

Needle gauge size 針幅	Feed Foot asm. 送り足組		Feed Foot asm. (Option) 送り足組 (オプション)		Feed Foot asm. 送り足組		Needle clamp asm. (Left) 針留組 (左)		Needle clamp asm. (Right) 針留組 (右)		Needle clamp 針留		
	Ref.No	Part No.	Ref.No	Part No.	Ref.No	Part No.	Ref.No	Part No.	Ref.No	Part No.	Ref.No	Part No.	
													
	(3/16)	26	B1470-521-DA0	31	213-73550			37	B1402-526-DAL-A	42	B1402-526-DAR-A	47	B1402-526-D00
	(1/4)	27	B1470-521-FA0	32	213-73659			38	B1402-526-FAL-A	43	B1402-526-FAR-A	48	B1402-526-F00
	(5/16)	28	B1470-521-HA0	33	213-73758			39	B1402-526-HAL-A	44	B1402-526-HAR-A	49	B1402-526-H00
	(3/8)	29	B1470-521-KA0	34	213-73857	36	B1470-521-KAX	40	B1402-526-KAL-A	45	B1402-526-KAR-A	50	B1402-526-K00
	(1/2)	30	B1470-521-LA0	35	213-73956			41	B1402-526-LAL-A	46	B1402-526-LAR-A	51	B1402-526-L00

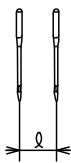


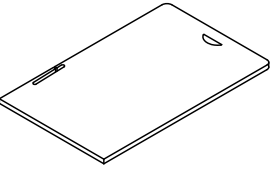
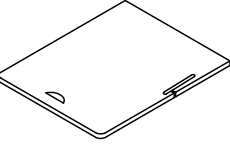
Needle gauge size 針幅	Needle clamp Thread Guide 針留め糸案内		Needle clamp Thread Guide Setscrew 針留め糸案内止めねじ		Bed Slide asm. (Left) 滑り板 (左)		Bed Slide asm. (Right) 滑り板 (右)		
	Ref.No	Part No.	Ref.No	Part No.	Ref.No	Part No.	Ref.No	Part No.	
									
	(3/16)	52	B1403-526-000	53	SS-5060310-SP	54	B1112-512-E00	56	213-77304
	(1/4)								
	(5/16)								
	(3/8)								
(1/2)	55								

TABLE OF EXCHANGE GAUGE PARTS

No.	Supply Code	Parts No.	Replacement	Parts name	Remarks	Choice	Step	Level	Cons	Qty	Rep. QTY
1		B1109521D00		THROAT PLATE 3/16						1	
2		B1109521F00		THROAT PLATE 1/4						1	
3		B1109521H00		THROAT PLATE 5/16						1	
4		B1109521K00		THROAT PLATE 3/8						1	
5		B1109521L00		THROAT PLATE 1/2						1	
6		B1613521D00		FEED DOG 3/16						1	
7		B1613521F00		FEED DOG 1/4						1	
8		B1613521H00		FEED DOG 5/16						1	
9		B1613521K00		FEED DOG 3/8						1	
10		B1613521L00		FEED DOG 1/2						1	
11		B1613521D0A		FEED DOG 3/16						1	
12		B1613521F0A		FEED DOG 1/4						1	
13		B1613521H0A		FEED DOG 5/16 2.6X5						1	
14		B1613521K0A		FEED DOG 3/8						1	
15		B1613521L0A		FEED DOG 1/2						1	
16		B1613521D0B		FEED DOG 3/16						1	
17		B1613521F0B		FEED DOG 1/4						1	
18		B1613521H0B		FEED DOG 5/16 2						1	
19		B1613521K0B		FEED DOG 3/8						1	
20		B1613521L0B		FEED DOG 1/2						1	
21		21367651		PRESSER FOOT ASM. 3/16						1	
22		21367750		PRESSER FOOT ASM. 1/4						1	
23		21367859		PRESSER FOOT ASM. 5/16						1	
24		21367958		PRESSER FOOT ASM. 3/8						1	
25		21368055		PRESSER FOOT ASM. 1/2						1	
26		B1470521DA0		WALKING FOOT ASM. 3/16						1	
27		B1470521FA0		WALKING FOOT ASM. 1/4						1	
28		B1470521HA0		WALKING FOOT ASM. 5/16						1	
29		B1470521KA0		WALKING FOOT ASM. 3/8						1	
30		B1470521LA0		WALKING FOOT ASM. 1/2						1	
31		21373550		WALKING FOOT ASM. 3/16						1	
32		21373659		WALKING FOOT ASM. 1/4						1	
33		21373758		WALKING FOOT ASM. 5/16						1	
34		21373857		WALKING FOOT ASM. 3/8						1	
35		21373956		WALKING FOOT ASM. 1/2						1	
36		B1470521KAX		WALKING FOOT ASM. 3/8						1	
37		B1402526DALA		NEEDLE CLAMP LEFT ASM. 3/16						1	
38		B1402526FALA		NEEDLE CLAMP LEFT ASM. 1/4						1	
39		B1402526HALA		NEEDLE CLAMP LEFT ASM. 5/16						1	
40		B1402526KALA		NEEDLE CLAMP LEFT ASM. 3/8						1	
41		B1402526LALA		NEEDLE CLAMP LEFT ASM. 1/2						1	
42		B1402526DARA		NEEDLE CLAMP RIGHT ASM. 3/16						1	
43		B1402526FARA		NEEDLE CLAMP RIGHT ASM. 1/4						1	
44		B1402526HARA		NEEDLE CLAMP RIGHT ASM. 5/16						1	
45		B1402526KARA		NEEDLE CLAMP RIGHT ASM. 3/8						1	
46		B1402526LARA		NEEDLE CLAMP RIGHT ASM. 1/2						1	

TABLE OF EXCHANGE GAUGE PARTS

Needle gauge size 針 幅	Throat plate 針 板		Feed Dog 送 り 歯		Feed Dog 送 り 歯		Feed Dog 送 り 歯		Presser Foot asm. 押 さ え 足 組	
	Ref.No	Part No.	Ref.No	Part No.	Ref.No	Part No.	Ref.No	Part No.	Ref.No	Part No.
(3/16)	1	B1109-521-D00	6	B1613-521-D00	11	B1613-521-D0A	16	B1613-521-D0B	21	213-67651
(1/4)	2	B1109-521-F00	7	B1613-521-F00	12	B1613-521-F0A	17	B1613-521-F0B	22	213-67750
(5/16)	3	B1109-521-H00	8	B1613-521-H00	13	B1613-521-H0A	18	B1613-521-H0B	23	213-67859
(3/8)	4	B1109-521-K00	9	B1613-521-K00	14	B1613-521-K0A	19	B1613-521-K0B	24	213-67958
(1/2)	5	B1109-521-L00	10	B1613-521-L00	15	B1613-521-L0A	20	B1613-521-L0B	25	213-68055

Needle gauge size 針 幅	Feed Foot asm. 送 り 足 組		Feed Foot asm. (Option) 送 り 足 組 (オ プ シ ョ ン)		Feed Foot asm. 送 り 足 組		Needle clamp asm. (Left) 針 留 組 (左)		Needle clamp asm. (Right) 針 留 組 (右)		Needle clamp 針 留	
	Ref.No	Part No.	Ref.No	Part No.	Ref.No	Part No.	Ref.No	Part No.	Ref.No	Part No.	Ref.No	Part No.
(3/16)	26	B1470-521-DA0	31	213-73550			37	B1402-526-DAL-A	42	B1402-526-DAR-A	47	B1402-526-D00
(1/4)	27	B1470-521-FA0	32	213-73659			38	B1402-526-FAL-A	43	B1402-526-FAR-A	48	B1402-526-F00
(5/16)	28	B1470-521-HA0	33	213-73758			39	B1402-526-HAL-A	44	B1402-526-HAR-A	49	B1402-526-H00
(3/8)	29	B1470-521-KA0	34	213-73857	36	B1470-521-KAX	40	B1402-526-KAL-A	45	B1402-526-KAR-A	50	B1402-526-K00
(1/2)	30	B1470-521-LA0	35	213-73956			41	B1402-526-LAL-A	46	B1402-526-LAR-A	51	B1402-526-L00

Needle gauge size 針 幅	Needle clamp Thread Guide 針 留 め 糸 案内		Needle clamp Thread Guide Setscrew 針 留 め 糸 案内 止 ね じ		Bed Slide asm. (Left) 滑 り 板 (左)		Bed Slide asm. (Right) 滑 り 板 (右)	
	Ref.No	Part No.	Ref.No	Part No.	Ref.No	Part No.	Ref.No	Part No.
(3/16)	52	B1403-526-000	53	SS-5060310-SP	54	B1112-512-E00	56	213-77304
(1/4)					55			
(5/16)								
(3/8)								
(1/2)								

TABLE OF EXCHANGE GAUGE PARTS

No.	Supply Code	Parts No.	Replacement	Parts name	Remarks	Choice	Step	Level	Cons	Qty	Rep. QTY
47		B1402526D00		NEEDLE CLAMP 3/16						1	
48	D	B1402526F00		NEEDLE CLAMP 1/4						1	
49	D	B1402526H00		NEEDLE CLAMP 5/16						1	
50		B1402526K00		NEEDLE CLAMP 3/8						1	
51	D	B1402526L00		NEEDLE CLAMP 1/2						1	
52		B1403526000		THREAD GUIDE						1	
53		SS5060310SP		SCREW 3/32-56 L=2.8						1	
54		B1112512E00		BED SLIDE LEFT						1	
55		B1112512J00		BED SLIDE LEFT						1	
56		21377304		BED SLIDE LIGHT						1	

LIST FOR INFORMATION OF CHANGE

As to the place changed, refer to the corresponding Rev.No.
 When previous parts(Obsoleted part)and new parts(Added parts)are
 not interchangeable with each other:
 In this case,even obsoleted parts(D.)can be ordered with the
 obsoleted part number,so select the parts with changed dates and
 place your orders.

変更箇所は,該当Rev.No.版をご参照ください。
 部品の互換性がない変更の場合は,削除された品番でも,ご注文できます。

29339207
 No.1281-09)・Rev.No.

*A:Added parts追加部品/D:Obsoleted parts削除部品/E:Erratum訂正

*	Rev. No.	Page 頁	Ref. No.	Parts No. 品番	*	Rev. No.	Page 頁	Ref. No.	Parts No. 品番
D	08	4	26	B1203-512-000	A	09	4	26	401-43083
D	08	4	36	B1309-055-000	A	09	4	36	401-13224
D	08	24	-	No.2~No.20					

HOW TO MAKE USE OF THIS PARTS LIST

1.Explanation of codes

1)"*"mark.....means this part is changed from the previous parts book.

As to the details of the change, refer to the "List for information of change".

2)"#01".....refer to "Note" explanation at bottom of page.

2.Codes on the "Qty" column

- Each numeral indicates the number of parts required.
- "0.1" and "2.5" indicate the length (in meters) of the respective parts.

3.Parentheses mean that the corresponding part is a subpart that constructs an assembly part.

4.Dotted lines on the Figures indicate assembly parts.

1."注記"欄の記号説明

1) "*"印.....前回のパーツブックに比較して今回変更された部品を意味します。

変更内容は、"変更情報リスト"を参照してください。

2) "#01".....ページ下の"注記"の説明を参照してください。

2.数量欄の数字は、個数を表し、0.1、2.5等の数値は、長さ（単位メートル）を表します。

3.数量欄の（ ）は、組部品を構成している子部品であることを意味します。

4.イラストページの-----枠は、組構成であることを意味します。

NUMERICAL INDEX OF PARTS

PART NO	PAGE	REF NO.	PART NO	PAGE	REF NO.	PART NO	PAGE	REF NO.
10107902	24	3	21333406	8	56	21343702	34	6
10109700	28	39~43	21333703	8	58	21343801	34	7
10109809	28	39~43	21334008	6	29	21345806	38	2
10109908	28	17	21334701	28	16	21345855	38	1
10110906	28	39~43	21335005	28	1	21345905	38	3
10111003	28	39~43	21336300	26	56	21346002	38	4
10111102	28	14	21336508	6	21	21346309	38	12
10111201	28	39~43	21336557	6	20	21346358	38	11
10112407	28	18	21336607	26	49	21346408	38	13
10112506	30	45~47	21336656	26	48	21346507	38	14
10112605	30	45~47	21336706	26	53	21347000	38	8
10112704	30	45~47	21336805	26	41	21347109	20	13
10124204	10	27	21337209	24	38	21347208	38	9
10124303	10	31	21337308	24	33	21347406	18	11
10201200	2	37	21337407	24	26	21348206	12	14·58·59
10205201	24	20	21337506	24	23	21348909	4	47
10321107	10	14·58·59	21337605	24	35	21351002	42	19
10502300	36	21	21337704	24	24	21351101	42	18
10509701	20	22	21337803	24	27	21351150	42	17
10539906	42	16	21337902	24	31	21351200	42	20
10618304	36	8	21338306	24	29	21351457	42	1
10697506	12	54	21338603	16	54	21353008	8	54
10697605	10	20	21338900	18	3	21355706	36	24
10704807	36	19	21339007	18	9	21355755	36	23
10741106	10	28	21339056	18	8	21355904	2	6
10742005	46	13	21339304	18	6	21356001	36	6
10748101	42	11	21339502	6	16	21356308	32	11
10755205	42	3	21340104	20	31	21356407	32	12
10755254	42	2	21340401	20	1	21356506	32	3
11045101	10	29	21340500	20	2	21356605	32	6
11072402	10	30	21340906	22	52	21356704	32	9
11956802	10	36	21341151	22	46	21356803	32	7
13138201	10	32	21341300	20	28	21357959	36	3
14512503	36	17	21342506	34	4	21357967	36	1
17912106	2	24	21342555	34	3	21358205	36	9
21331202	2	9	21342605	34	5	21361407	2	46
21331400	2	4	21342704	34	9	21361704	28	27
21331756	2	8	21342803	34	13	21362009	28	2
21331806	2	10	21342902	34	17	21364104	24	10
21332002	2	11	21343009	34	11	21364203	24	2
21332200	2	42	21343108	34	31	21364252	24	1
21332309	2	14	21343157	34	30	21367651	48	21
21332705	6	1	21343207	34	1	21367750	48	22
21333000	6	2	21343355	34	21	21367859	44	14
21333109	6	18	21343405	34	19	21367859	48	23

NUMERICAL INDEX OF PARTS

PART NO	PAGE	REF NO.	PART NO	PAGE	REF NO.	PART NO	PAGE	REF NO.
21367958	48	24	22537658	36	2	22934707	34	29
21368055	48	25	22538151	36	4	22945505	36	27
21373550	48	31	22538706	36	32	22945703	36	30
21373659	48	32	22602601	2	45	23006406	12	14·58·59
21373758	48	33	22604300	6	25	23010606	22	50
21373857	48	34	22609309	24	15	23208507	2	29
21373956	48	35	22609408	24	12	23208556	2	28
21375258	2	1	22609804	28	32	23208606	2	30
21375308	2	16	22617609	10	44	23636202	36	5
21375456	10	18	22617708	10	38	26225201	20	29
21375704	6	12	22617807	10	37	26910158	40	1
21375803	16	49	22617906	10	33	40009103	26	50
21375852	16	48	22618102	10	23	40016148	8	62
21375902	18	1	22618706	10	19	40018339	20	16
21376009	16	60	22618805	10	45	40018340	22	53
21376157	20	25	22618904	10	41	40019926	24	36
21376207	16	56	22619100	2	38	40025299	42	5
21376306	20	19	22650055	44	7	40025300	42	8
21376405	14	38	22680607	6	10	40027746	18	7
21376504	16	62	22687453	10	12	40033026	20	12
21377007	10	10	22689053	10	26	40033027	20	11
21377155	10	1	22689103	12	52	40033030	20	24
21377304	44	5	22814909	18	13	40033031	20	41
21377304	50	56	22814909	20	38	40033032	20	40
21378302	20	5	22863203	34	26	40034204	22	49
21378302	24	13	22863252	34	23	40038692	6	23
21378500	28	15	22877609	4	48	40038700	8	49
21378708	36	29	22901805	2	41	40038702	8	50
21378906	26	54	22904106	20	7	40038722	32	27
21379003	42	6	22904106	24	18	40038723	32	29
21387402	26	57	22904155	20	6	40038904	32	16
21387501	6	31	22904155	24	17	40039326	20	4
21387600	6	34	22911804	26	44	40042611	30	34·48
21387709	6	33	22912000	26	46	40103003	32	15
21387808	6	38	22912109	26	47	40105811	32	25
21387907	8	59	22926000	46	16	40107618	32	30
21388004	26	62	22926356	46	11	40108674	2	18
21388400	14	16	22932404	34	28	40108675	2	20
21402300	6	27	22932453	34	27	40113092	36	28
21406103	22	48	22933006	46	2	40113224	6	36
21408505	2	23	22933303	46	12	40143083	6	26
21408554	2	22	22934202	34	35	B1104051000	2	39
21413158	46	1	22934301	34	36	B1109521D00	48	1
21413257	46	17	22934400	34	34	B1109521F00	48	2
21437900	20	36	22934509	34	33	B1109521H00	44	1

NUMERICAL INDEX OF PARTS

PART NO	PAGE	REF NO.	PART NO	PAGE	REF NO.	PART NO	PAGE	REF NO.
B1109521H00	48	3	B14125260A0	14	24	B1470521KAX	48	36
B1109521K00	48	4	B1414232000	18	4	B1470521LA0	48	30
B1109521L00	48	5	B1414555000	20	21	B1501241H00	20	39
B1111563000	2	35	B1415526000	14	25	B1502246000	20	44
B1112512E00	44	4	B1416528000	14	26	B1510141H00	20	43
B1112512E00	50	54	B1417526000	14	39	B1510155000	22	54
B1112512J00	50	55	B1419526000	14	40	B1510526000A	16	50
B1132521000	2	25	B1420526000	14	30	B152989000CA	36	7
B1148555000	36	11	B14205260A0	14	29	B1604012000A	24	7
B1214019000	6	32	B1422526000	14	32	B1610512000	24	39
B1308055000	6	35	B1423526000	14	41	B1613521D00	48	6
B1310055000	6	37	B1425526000	14	27	B1613521D0A	48	11
B1312563000A	6	44	B1425526000	44	15	B1613521D0B	48	16
B1313055000	8	47	B1427526000	14	13	B1613521F00	48	7
B1314055000	6	39	B1431526000	14	8	B1613521F0A	48	12
B1401526000	14	18	B1431528000	14	14	B1613521F0B	48	17
B14015260A0	14	17	B1432528000	14	15	B1613521H00	44	6
B1402526D00	50	47	B1434528000	14	2	B1613521H00	48	8
B1402526DALA	48	37	B14345280A0	14	1	B1613521H0A	48	13
B1402526DARA	48	42	B1435526000	14	6	B1613521H0B	48	18
B1402526F00	50	48	B1436526000	14	7	B1613521K00	48	9
B1402526FALA	48	38	B1437526000	14	5	B1613521K0A	48	14
B1402526FARA	48	43	B143752600A	14	4	B1613521K0B	48	19
B1402526H00	50	49	B1438526000	14	3	B1613521L00	48	10
B1402526HALA	44	8	B1439528000	14	11	B1613521L0A	48	15
B1402526HALA	48	39	B1440526000	10	2	B1613521L0B	48	20
B1402526HARA	44	10	B1441526000	10	4	B1639051000	6	46
B1402526HARA	48	44	B1442526000	10	6	B18025120A0A	28	28
B1402526K00	50	50	B144352600A	10	7	B18035150A0	28	30
B1402526KALA	48	40	B1449526000	12	51	B1816051000	28	37
B1402526KARA	48	45	B1450526000	14	42	B1817051000	28	34·48
B1402526L00	50	51	B1451526000	14	37	B1820563000	28	3
B1402526LALA	48	41	B1452526000	16	53	B1821051000	28	4
B1402526LARA	48	46	B145352600A	16	51	B1822563000	28	7
B1403526000	50	52	B145352600B	16	64·65	B1823051000	28	8
B1404526000	14	19	B145352600C	16	64·65	B1824563000	28	11
B1405526000	14	20	B1455526000	14	9	B18305210A0	28	25
B1406526000	14	21	B1462053000	22	47	B18375260A0	28	24
B1407526000	14	22	B1465526000	20	23	B1839563000	42	14
B1408526000	6	7	B1468053000	20	26	B1841563000	42	15
B1409526000	14	23	B1470521DA0	48	26	B1843563000	28	22
B1410526000	14	28	B1470521FA0	48	27	B1905526000	6	3
B1410771000	18	5	B1470521HA0	44	12	B1906526000	6	4
B1412051000	14	31	B1470521HA0	48	28	B1907526000	6	5
B1412051000	38	6	B1470521KA0	48	29	B3120125000	10	35

NUMERICAL INDEX OF PARTS

PART NO	PAGE	REF NO.	PART NO	PAGE	REF NO.	PART NO	PAGE	REF NO.
B3127051000	10	21	GAK29010000	32	17	SD0800481SP	20	45
B3127527000	10	22	GAKA1503000	32	20	SD0900701TP	24	21
B3129053000	10	34	HK034610020	32	18	SD1000801SH	26	55
B31375270A0	10	46	HK03464000A	32	19	SK3241601SC	42	13
B3138527000	10	43	HX00295000A	32	23	SK3385001SE	32	26
B3139527000	12	47	HX00295000B	32	24	SK3482500SC	42	4
B3141527000	10	39	M13517B1600	16	55	SK3482501SE	32	34
B3142527000	12	48	M13517B1602	46	10	SM3031401SE	42	9
B3143527000	12	49	MDFRX2700C0	46	6	SM4061001SB	32	33
B3205210000	36	10	NM6030001SC	42	10	SM6040800SP	36	31
B3428521000	34	24	NM6050001SD	34	16	SM6051002TP	32	8
B8112220000	42	7	NM6050001SP	10	8	SM6051602TP	34	8
B8206012000	46	14	NM6050550SD	10	3	SM6052002TP	34	14
B8207012000	46	8	NM6080001SE	32	4	SM6061202TP	34	2
B8209012000	46	15	NS6080210SP	26	64	SM6061802TP	26	40
B8210012000	46	3	NS6110310SP	10	25	SM6062502TP	20	37
B9102057000	46	4	NS6110310SP	36	26	SM6062502TP	34	22
B9113012000	46	5	NS6110420SP	28	23	SM6082002TP	32	2
B9117563000	28	26	NS6110530SP	20	35	SM6082502TP	28	21
B9117563000	46	9	NS6620310SP	10	17	SM8050502TP	24	6
B91210120A0	46	7	NS6680320SP	24	22	SM8050602TP	36	20
BT0600401EB	32	32	PA400150100	32	1	SM8050612TP	26	52
CM300200001	2	40	PF0552170A0	32	28	SM8052502TP	34	15
CM300200001	32	13	PJ304065101	32	10	SM8060602TP	6	28
CM301300001	4	52	PS0400222K0	16	47	SM8080802TP	18	2
CM600100201	46	18	PS0500202KP	38	7	SM8080812TP	6	13
CQ202000000	6	19	PS0600502KP	10	15	SM9061203SE	34	32
CQ202000000	24	51	RC0560711KP	36	12	SS2060410SP	14	33
CQ202000000	26	51	RE0500000K0	6	45	SS2090520SL	2	31
CQ202000000	28	10	RE0500000K0	36	13	SS2090710TP	2	32
CQ202000000	38	17	RE0500711KP	24	8	SS2110920TP	44	2
CQ252000000	14	34	RE0700000K0	14	36	SS3090610SP	38	10
CQ3000000F0	20	15	RE0800000K0	34	10	SS4110515SP	2	36
CQ303000000	6	8	RE0900000K0	26	61	SS4110615SP	12	55
CQ505000000	6	11	RO092270200	26	45	SS4110615SP	38	16
CS1201010SH	26	58	RO092270200	36	14	SS4110815SP	2	49
CS1201011SH	26	59	SB120000200	8	52	SS4110815SP	4	49
D1455055B00	20	33	SD0380551SL	2	26	SS4111215SP	2	2
D1456055B00	20	32	SD0450401SP	14	44	SS5060310SP	50	53
D3162555B00	36	25	SD0470281SP	10	24	SS5090610SP	2	19
D8232241E00	42	21	SD0601171SP	12	53	SS5110740TP	42	25
EA9500B0000	20	14	SD0640322TP	6	42	SS6081810SP	26	65
EA9500B0000	38	15	SD0700451TP	34	20	SS6090520SP	36	16
EA9500B0100	18	12	SD0720331SP	32	5	SS6090540SP	14	45
GAK29009000	32	31	SD0800402TP	24	34	SS6090620SP	36	22

NUMERICAL INDEX OF PARTS

PART NO	PAGE	REF NO.	PART NO	PAGE	REF NO.
SS6090630SP	44	3	SS8090410TP	14	10
SS6090810SP	28	13	SS8110422TP	28	44
SS6090910TP	20	27	SS8110520TP	10	11
SS6091022TP	16	58	SS8110750SP	16	61
SS6110430TP	10	13	SS8111010TP	6	43
SS6110610TP	20	20	SS8111010TP	14	35
SS6110710TP	44	13	SS8111010TP	22	55
SS6110810TP	36	18	SS8150510TP	16	63
SS6111610SP	24	37	SS8150710SP	20	9
SS6120930TP	26	42	SS8150710TP	8	60
SS6121610TP	24	16	SS8150822TP	6	30
SS6121860SP	26	43	SS8150822TP	24	28
SS6151040SP	32	14	SS8151150TP	24	14
SS6151210SP	2	34	SS8151150TP	28	31
SS6151440SP	42	23	SS8151550SP	8	57
SS6151920SP	20	30	SS8660530TP	28	36
SS6152440SP	18	10	SS8660610TP	20	8
SS6153040SP	28	19	SS8660610TP	24	60
SS6153040SP	42	22	SS8660610TP	26	60
SS6580752TP	26	63	SS8660612TP	6	40
SS6621210SP	2	43	SS8660612TP	20	3
SS6621210SP	10	16	SS8660670SP	28	35
SS6661110SP	6	24	SS8660810TP	6	22
SS7090510SP	10	42	SS8660810TP	28	38
SS7090510SP	34	25	SS8661030SP	8	51
SS7090610SP	24	30	SS8680540SP	6	14
SS7090620TP	14	12	SS8680730SP	6	15
SS7090910TP	24	32	SS9111010SP	10	9
SS7091410SP	36	15	SS9151440CP	24	4
SS7110710SP	8	55	TA0750704R0	4	51
SS7110710SP	12	57	TA0750704R0	8	61
SS7110830SP	14	46	TA0750704R0	20	10
SS7110840SP	42	24	TA1050504R0	2	33
SS7110910SP	16	57	TA1250406R0	2	3
SS7110910SP	22	51	TA1250504R0	2	50
SS7110910TP	20	42	TA1250504R0	4	50
SS7110910TP	24	25	WP0320501SC	42	12
SS7111410SP	24	11	WP0371016SD	28	12
SS7111810TP	28	9	WP0450801SP	12	50
SS7112420SP	16	59	WP0480856SP	14	43
SS7120760SP	8	53	WP0482086SD	20	34
SS7150910TP	2	17	WP0501016SP	12	56
SS7621040SP	2	7	WP0501046SC	20	18
SS8080310SP	16	52	WP0621016SD	24	5
SS8080660TP	44	11	WP0850002SP	28	20