

MODEL : AE-8  
List No : 1271-01

# PARTS LIST

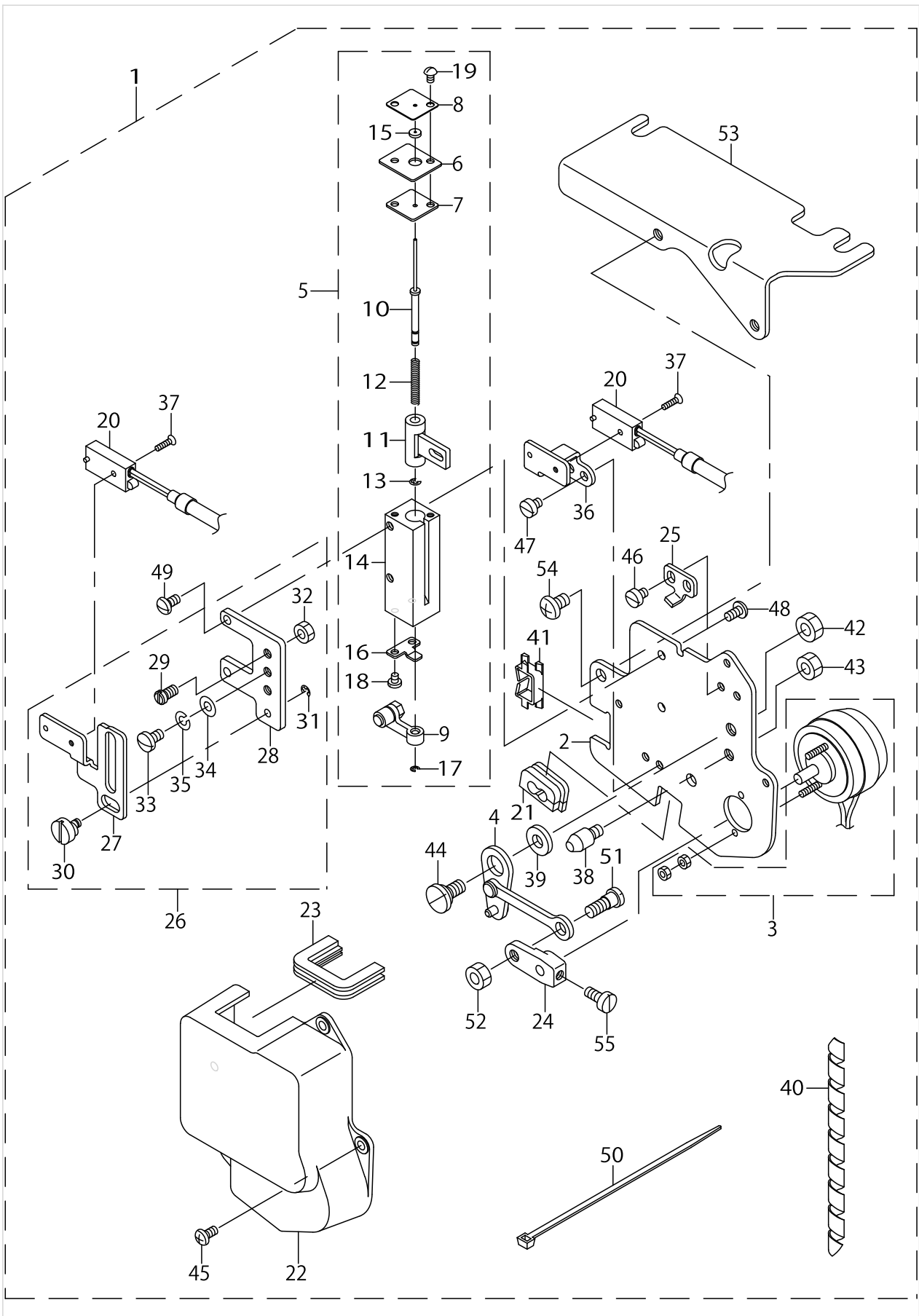
Published:05/12/2017

## CONTENTS

---

COMPONENTS .....	1
ACCESSORIES .....	5
HOW TO MAKE USE OF THIS PARTS LIST .....	7

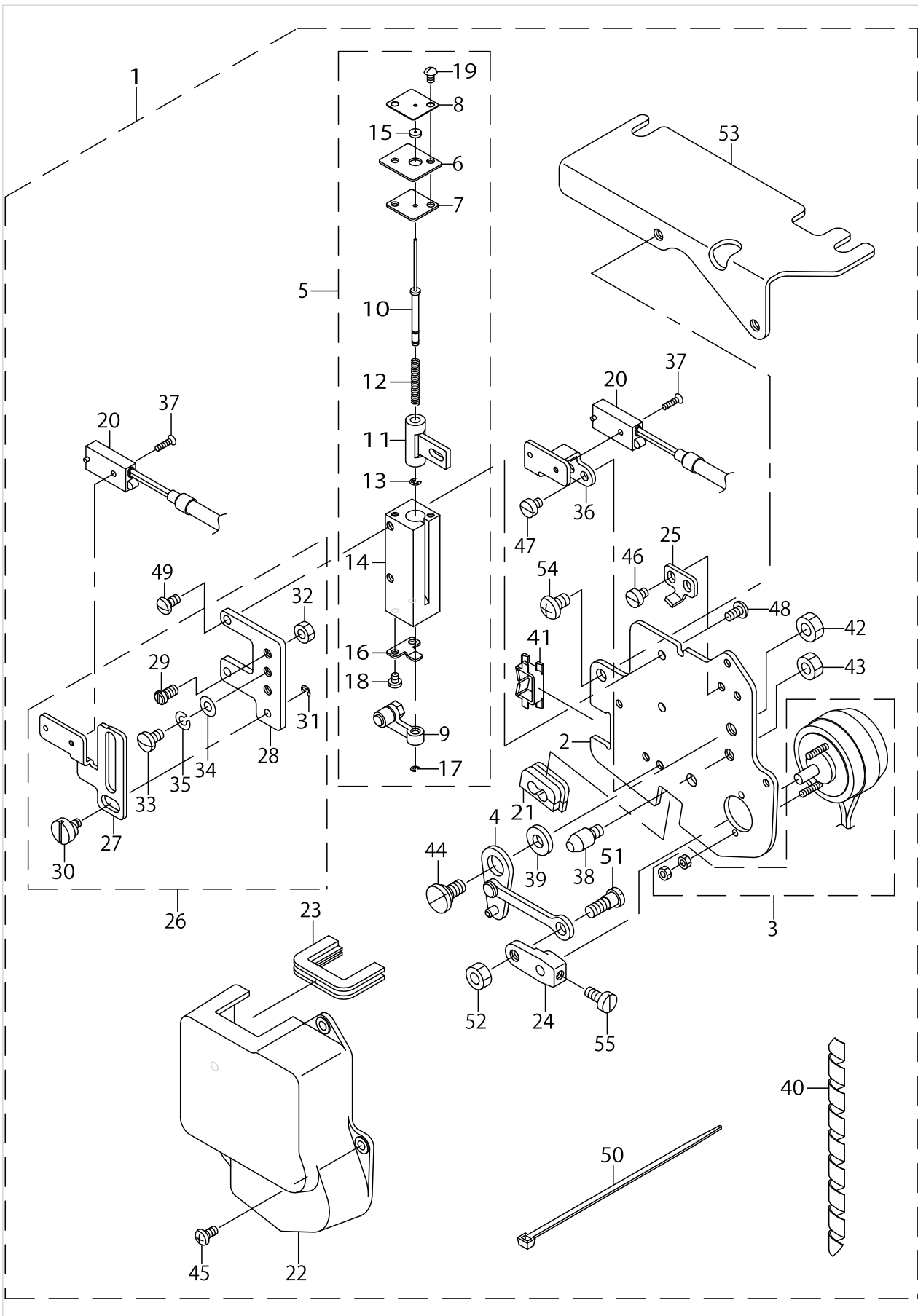
COMPONENTS



COMPONENTS

No.	Supply Code	Parts No.	Replacement	Parts name	Remarks	Choice	Step	Level	Cons	Qty	Rep. QTY
1		GAE080100A0		DRIVINGDEVICEASM.						1	
2		GAE08010000		BASE PLATE				*		1	
3		GAE040110A0		DRIVING SOLENOID ASM.				*		1	
4		GAE080140A0		DRIVING LINK ASM.				*		1	
5		GAE080260A0		DETECTING ROD GUIDE ASM.				*		1	
6		GAE08019000		DETECTING ROD FELT GUIDE				*		1	
7		GAE08027000		DETECTING ROD GUIDE PLATE				*		1	
8		GAE08029000		DETECTING ROD COVER				*		1	
9		GAE080230A0		MAGNET BRACKET ASM.				*		1	
10		GAE03020000		DETECTING ROD				*		1	
11		GAE03021000		DETECTING ROD HOLDER				*		1	
12		GAE03022000		DETECTING ROD SPRING				*		1	
13		GAE03025000		E RING				*		1	
14		GAE03026000		DETECTING ROD GUIDE				*		1	
15		GAE03028000		DETECTING ROD FELT				*		1	
16	D	GAE03036000		DETECTING ROD STOPPER				*		1	
17		RE0150000K0		SNAP RING 1.5				*		1	
18		SS7060310SP		SCREW 3/32-56 L=3				*		2	
19		SS3060410SP		SCREW 3/32-56 L=4				*		2	
20		GAE040330B0		SENSOR COMPL.				*		2	
21	D	GAE04037000		SENSOR CORD BUSH				*		1	
22		GAE08038000		DRIVING DEVICE COVER				*		1	
23		GAE08039000		DETECTING ROD RUBBER				*		1	
24		GAE08012000		SOLENOID ARM				*		1	
25		GAE08018000		DRIVING LINK STOPPER A				*		1	
26		GAE080300A0		SENSOR ADJUSTING PLATE ASM.				*		1	
27		GAE08034000		SENSOR INSTALLING BASE A				*		1	
28		GAE03030000		SENSOR ADJUSTING PLATE				*		1	
29	D	GAE03031000		SLIDE PIN				*		2	
30		GAE03032000		ECCENTRIC PIN				*		1	
31		RE0200000K0		E-RING				*		1	
32		NS6090310SP		NUT 9/64-40				*		2	
33		SS7090610SP		SCREW 9/64-40 L=6				*		1	
34		WP0370316SD		WASHER 3.7X8X0.3				*		1	
35		WS0410002KP		SPRING WASHER				*		1	
36		GAE08035000		SENSOR INSTALLING BASE B				*		1	
37		10621803		MOUNTING SCREW				*		2	
38	R	B1157781000	40008996	GUIDE PIN				*		1	1.00
39		B144418000B		WASHER				*		1	
40		HX001890000		SPIRAL TUBE				*		0.1	
41		HX00285000A		CORD HOLDER				*		1	
42		NS6120310SP		NUT 3/16-28				*		1	
43		NS6110420SP		NUT 11/64-40				*		1	
44		SD0790203SP		HINGE SCREW D=7.94 H=2				*		1	
45		SL4030681SC		SCREW M3 L=6				*		3	
46		SS6080410SP		SCREW 1/8-44 L=4				*		2	

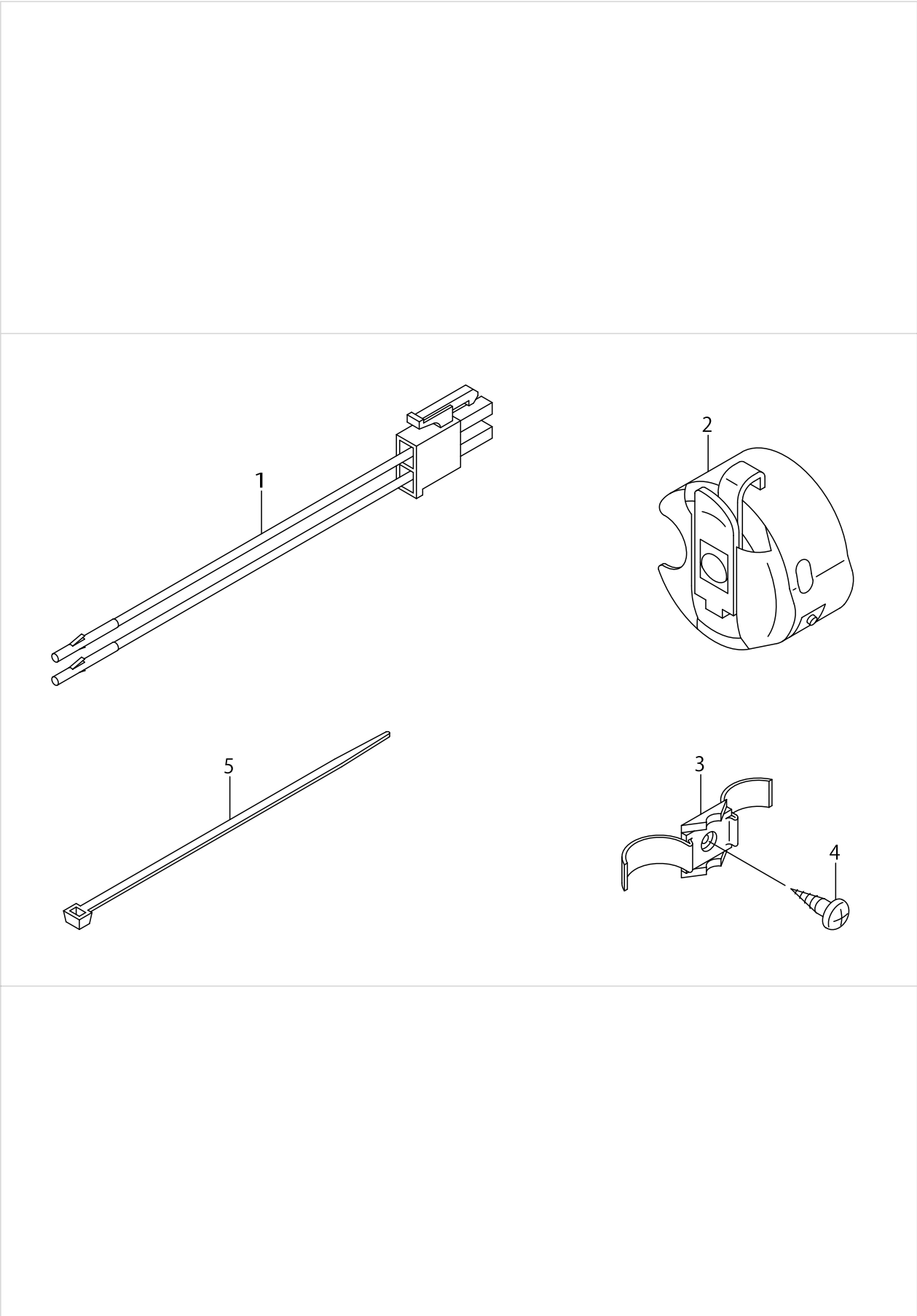
COMPONENTS



COMPONENTS

No.	Supply Code	Parts No.	Replacement	Parts name	Remarks	Choice	Step	Level	Cons	Qty	Rep. QTY
47		SS6080410SP		SCREW 1/8-44 L=4				*		2	
48	R	SS4080610SP	SS4080620TP	SCREW 1/8-44 L=6.4				*		2	1.00
49	R	SS4080610SP	SS4080620TP	SCREW 1/8-44 L=6.4				*		2	1.00
50		EA9500B0100		CABLE BAND				*		1	
51		SD0500402SP		HINGE SCREW D= 5 H= 4				*		1	
52		NS6110420SP		NUT 11/64-40				*		1	
53		GAE08040000		DEVICE INSTALLING PLATE				*		1	
54		SS4110715SP		SCREW 11/64-40 L=7				*		2	
55		SS6090810SP		SCREW 9/64-40 L= 7.5				*		1	

ACCESSORIES



ACCESSORIES

No.	Supply Code	Parts No.	Replacement	Parts name	Remarks	Choice	Step	Level	Cons	Qty	Rep. QTY
1		GAE040430A0		SOLENOID CORD ASM.						1	
2		GAE030450A0		BOBBIN CASE						1	
3	D	HX002450000		CABLE CLAMP						1	
4		SK3381601SC		WOOD SCREW D=3.8 L=16						1	
5		EA9500B0100		CABLE BAND						1	



## HOW TO MAKE USE OF THIS PARTS LIST

1.As to "#01" and "#02" refer to the "Note" given at the bottom of the respective pages.

2.Codes on the "Qty" column

- Each numeral indicates the number of parts required.
- "0.1" and "2.5" indicate the length (in meters) of the respective parts.

3.Parentheses mean that the corresponding part is a subpart that constructs an assembly part.

4.Dotted lines on the Figures indicate assembly parts.

1. リストページの# 0 1、# 0 2の印は、ページ下の"注記"の説明を参照下さい。
2. 数量欄の数字は、個数を表し、0. 1、2. 5等の数値は、長さ（単位メートル）を表します。
3. 数量欄の（ ）は、組部品を構成している子部品であることを意味します。
4. イラストページの-----枠は、組構成であることを意味します。

# NUMERICAL INDEX OF PARTS

PART NO	PAGE	REF NO.	PART NO	PAGE	REF NO.
10621803	2	37	SD0500402SP	4	51
B1157781000	2	38	SD0790203SP	2	44
B144418000B	2	39	SK3381601SC	6	4
EA9500B0100	4	50	SL4030681SC	2	45
EA9500B0100	6	5	SS3060410SP	2	19
GAE03020000	2	10	SS4080610SP	4	49
GAE03021000	2	11	SS4110715SP	4	54
GAE03022000	2	12	SS6080410SP	2	47
GAE03025000	2	13	SS6080410SP	4	47
GAE03026000	2	14	SS6090810SP	4	55
GAE03028000	2	15	SS7060310SP	2	18
GAE03030000	2	28	SS7090610SP	2	33
GAE03031000	2	29	WP0370316SD	2	34
GAE03032000	2	30	WS0410002KP	2	35
GAE03036000	2	16			
GAE030450A0	6	2			
GAE040110A0	2	3			
GAE040330B0	2	20			
GAE04037000	2	21			
GAE040430A0	6	1			
GAE08010000	2	2			
GAE080100A0	2	1			
GAE08012000	2	24			
GAE080140A0	2	4			
GAE08018000	2	25			
GAE08019000	2	6			
GAE080230A0	2	9			
GAE080260A0	2	5			
GAE08027000	2	7			
GAE08029000	2	8			
GAE080300A0	2	26			
GAE08034000	2	27			
GAE08035000	2	36			
GAE08038000	2	22			
GAE08039000	2	23			
GAE08040000	4	53			
HX001890000	2	40			
HX002450000	6	3			
HX00285000A	2	41			
NS6090310SP	2	32			
NS6110420SP	2	52			
NS6110420SP	4	52			
NS6120310SP	2	42			
RE0150000K0	2	17			
RE0200000K0	2	31			