

MODEL : AMS-221D/AMS-215D

List No : 1248-02

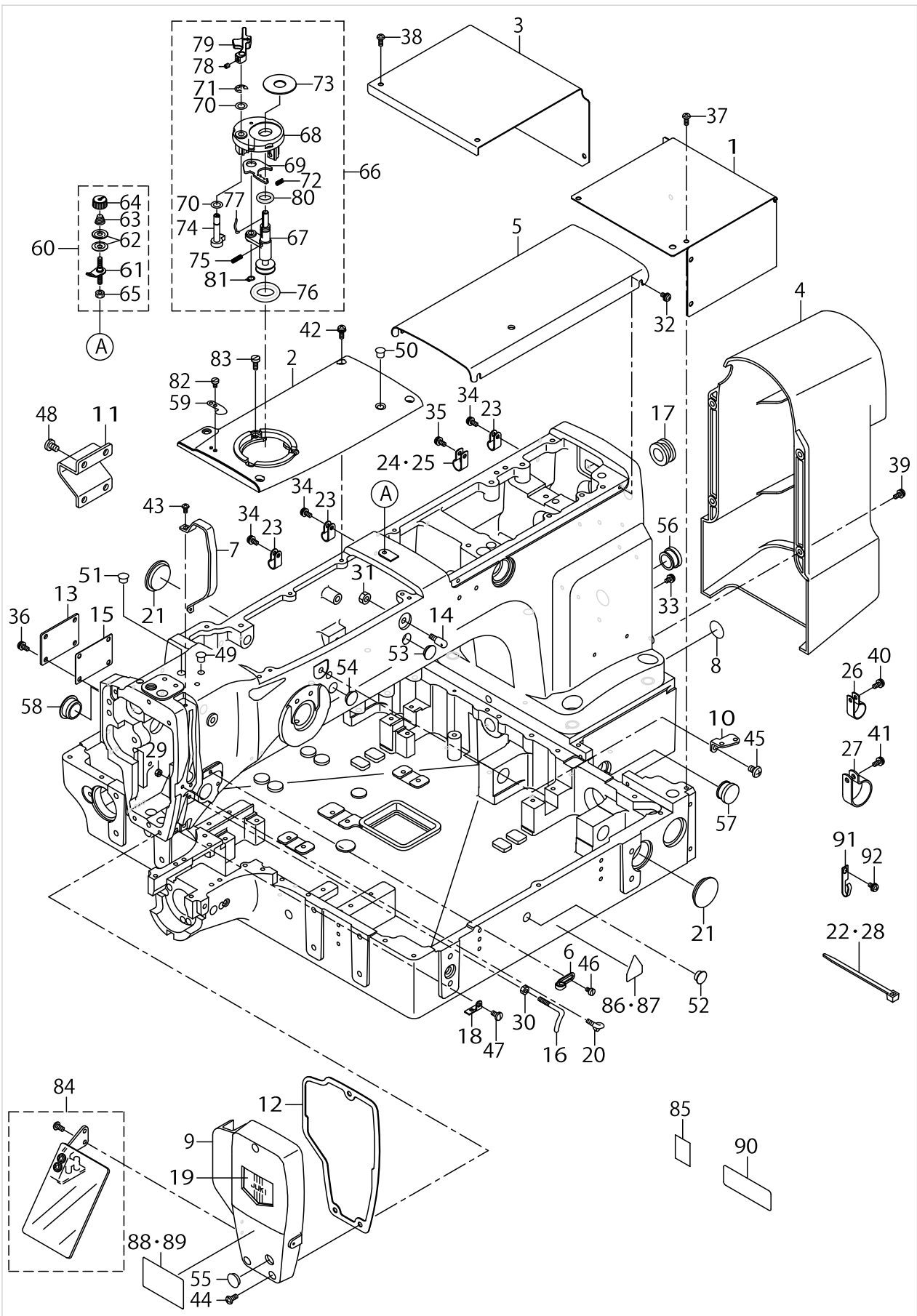
PARTS LIST

Published:05/12/2017

CONTENTS

FRAME & MISCELLANEOUS COVER COMPONENTS (1)	1
FRAME & MISCELLANEOUS COVER COMPONENTS (2)	5
MAIM SHAFT & NEEDLE BAR COMPONENTS	9
PRESSER MECHANISM COMPONENTS	15
SHUTTLE DRIVER SHAFT COMPONENTS.....	19
WIPER MECHANISM COMPONENTS	23
TENSION RELEASE & THREAD TENSION COMPONENTS.....	25
TENSION RELEASE & THREAD TRIMMER MECHANISM COMPONENTS.....	27
X-Y COMPONENTS	31
CLOTH FEED MECHANISM COMPONENTS.....	37
LUBRICATION COMPONENTS	43
SENSOR COMPONENTS	47
PNEUMATIC COMPONENTS	49
TABLE COMPONENTS	51
THREAD STAND COMPONENTS.....	55
OPERATION BOX COMPONENTS	57
CONTROL BOX COMPONENTS	59
WIRING DIAGRAM.....	63
PEDAL & ELECTRICAL EQUIPMENT ACCESSORIE PART COMPONENTS	65
ACCESSORIE PART COMPONENTS.....	67
OPTIONAL PART COMPONENTS.....	69
AMS-221D/215D PERFECT STITCH EXCLUSIVE PART COMPONENTS.....	73
LIST FOR INFORMATION OF CHANGE.....	77
HOW TO MAKE USE OF THIS PARTS LIST	78

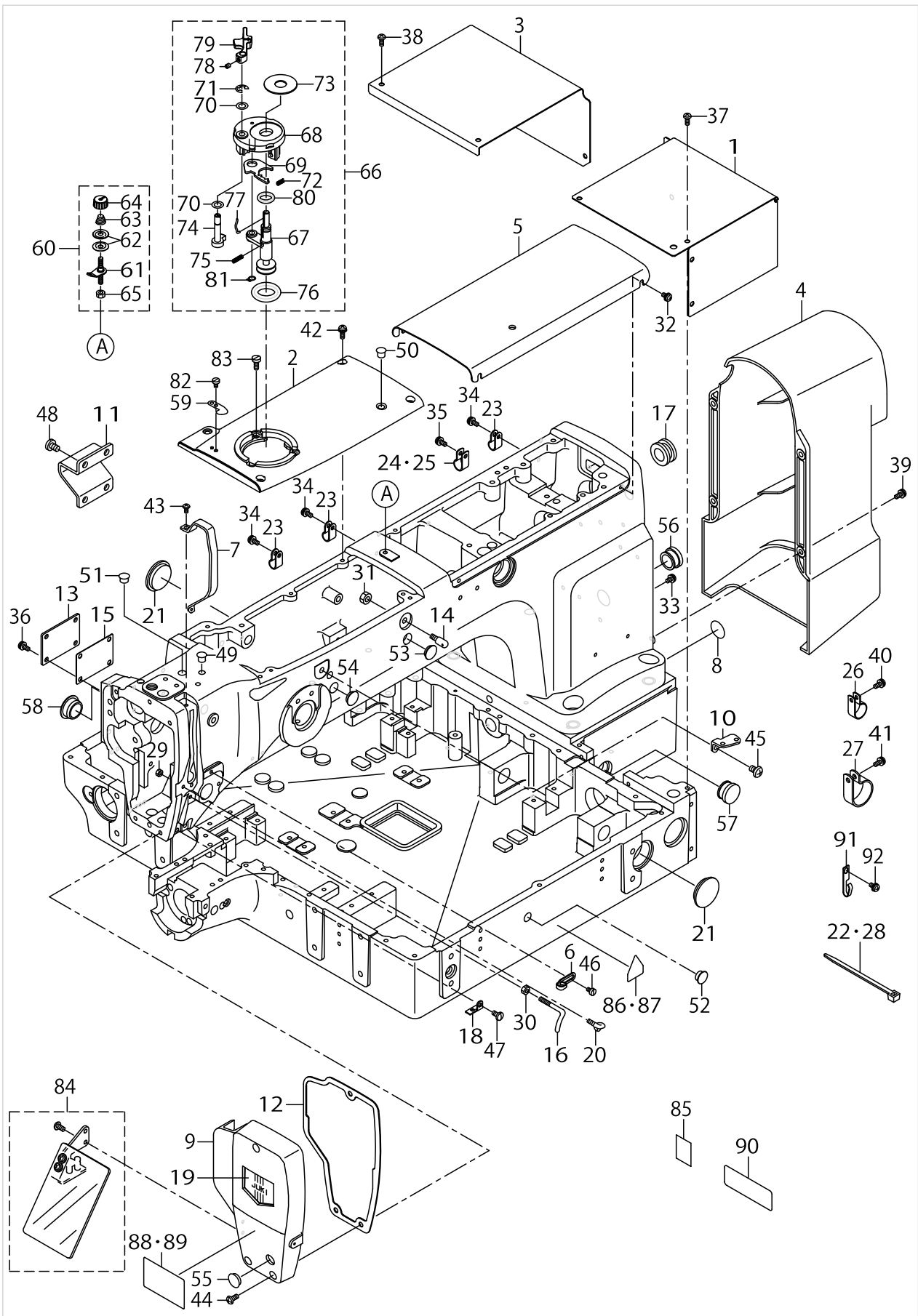
FRAME & MISCELLANEOUS COVER COMPONENTS (1)



FRAME & MISCELLANEOUS COVER COMPONENTS (1)

No.	Supply Code	Parts No.	Replacement	Parts name	Remarks	Choice	Step	Level	Cons	Qty	Rep. QTY
1		B1103221D00		BED COVER,RIGHT						1	
2		B1104221D00		TOP COVER,FRONT						1	
3		B1106221D00		BED COVER,LEFT						1	
4	D	B1107221D00		MOTOR COVER						1	
5		B1109221D00		TOP COVER,REAR						1	
6	R	11018504	22920508	ARMTHREADGUIDEA						1	1.00
7	R	13816608	26211607	BALANCE COVER						1	1.00
8	R	10004109	22901805	GROUND MARK						1	1.00
9	D	B1105210D00		FACE PLATE						1	
10	R	B1111232000	26211904	THREAD GUIDE PLATE						1	1.00
11		B1116215000		FRAME SUPPORT						1	
12		B1117210D00		FACE PLATE GASKET						1	
13		B1123210D00		COVER						1	
14	R	B1123280000	26212001	FIRST THREAD GUIDE						1	1.00
15		B1125210D00		COVER GASKET						1	
16		B1125215P00		L-SHAPED THREAD GUIDE						1	
17		B1126210000		WIRE BUSHING						1	
18		B1129210000		FRAME THREAD GUIDE (B)						1	
19		B1178191000		FACE PLATE DRESSING TABLE						1	
20		B3114771000		THREAD GUIDE						1	
21		B8267180000		RUBBER PLUG						2	
22		EA9500B0200		CABLE BAND 150						2	
23		HX00123000A		CABLE CLIP						3	
24		HX00150000D		CABLE CLIP	FOR 2△△DSS,DHS					1	
25		HX00150000F		CABLE CLIP	FOR 2△△DSL,DHL					1	
26		HX00150000H		CABLE CLIP						1	
27		HX00150000N		CABLE CLIP						1	
28		HX002330000		CLIP						1	
29		NS6090310SP		NUT 9/64-40						1	
30		NS6090310SP		NUT 9/64-40						1	
31		NS6150310SP		NUT 15/64-28						1	
32		SL4040891SC		SCREW M4 L=8						4	
33		SL4040881SC		SCREW M4 L=8						1	
34		SL4040891SC		SCREW M4 L=8						3	
35		SL4040891SC		SCREW M4 L=8						1	
36		SL4040891SC		SCREW M4 L=8						3	
37		SL4041091SC		SCREW M4 L=10						5	
38		SL4041091SC		SCREW M4 L=10						3	
39		SL4041091SC		SCREW M4 L=10						4	
40		SL4041091SC		SCREW M4 L=10						1	
41		SL4041091SC		SCREW M4 L=10						1	
42		SL4041281SC		SCREW M4X0.7 L=12						4	
43		SS4090715SP		SCREW 9/64-40 L=7						2	
44		SS4111015SP		SCREW11/64-40L=10						3	
45		SS4150915SP		SCREW 15/64-28 L=9						1	
46	R	SS6090630SP	SS6090630TP	SCREW 9/64-40 L=6						1	1.00

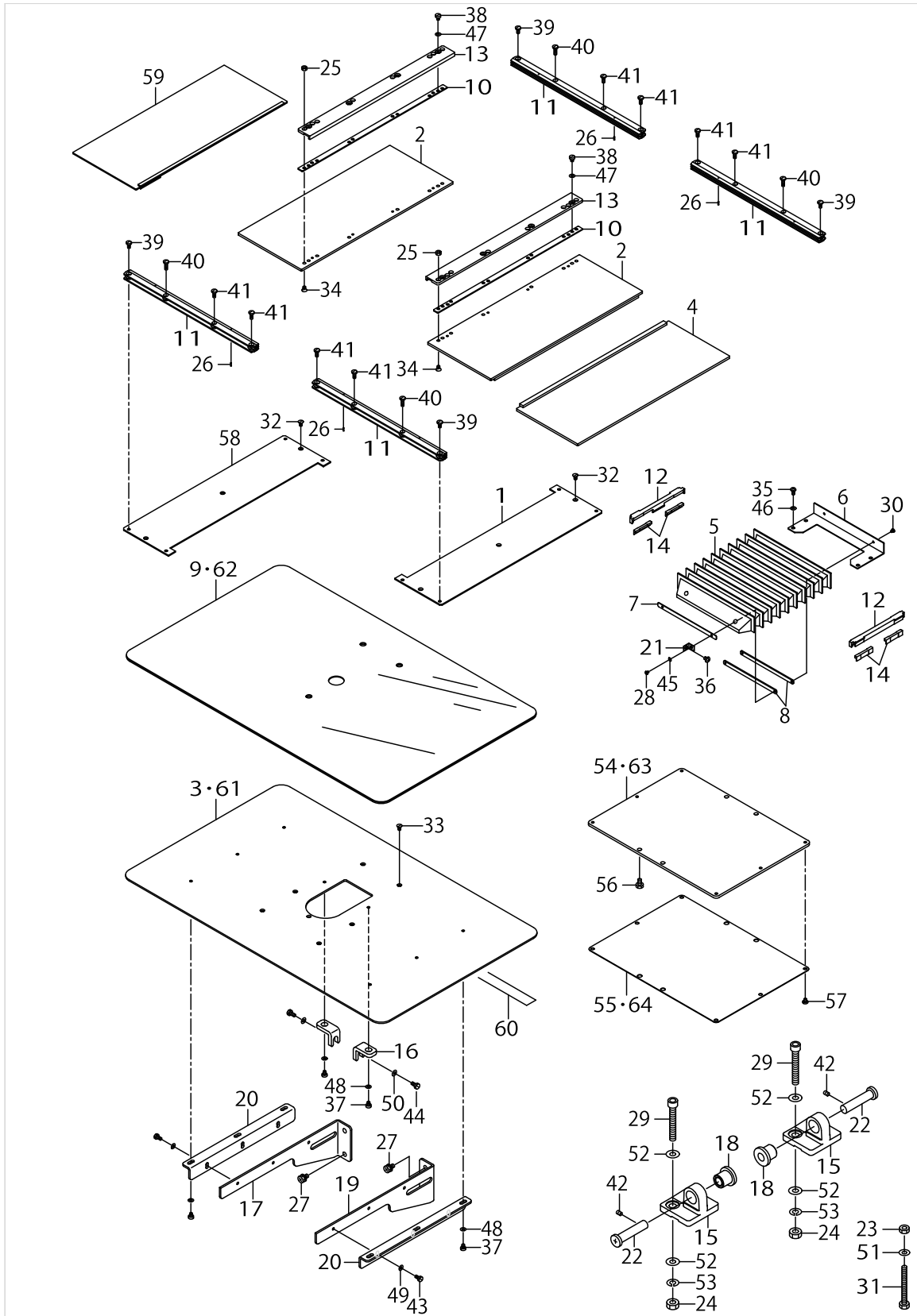
FRAME & MISCELLANEOUS COVER COMPONENTS (1)



FRAME & MISCELLANEOUS COVER COMPONENTS (1)

No.	Supply Code	Parts No.	Replacement	Parts name	Remarks	Choice	Step	Level	Cons	Qty	Rep. QTY
47		SS7110840SP		SCREW 11/64-40 L=7.8						1	
48		SS7150910TP		SCREW 15/64-28 L=9						4	
49		TA0750704R0		RUBBER PLUG						1	
50		TA0750704R0		RUBBER PLUG						1	
51		TA0850604R0		RUBBER PLUG						1	
52		TA1050504R0		RUBBER PLUG						1	
53		TA1250406R0		RUBBER PLUG D=12.5 L=4						1	
54		TA1250406R0		RUBBER PLUG D=12.5 L=4						1	
55		TA1250406R0		RUBBER PLUG D=12.5 L=4						1	
56		TA1850805R0		PLUG						1	
57		TA1850805R0		PLUG						1	
58		TA2100904R0		RUBBER PLUG						1	
59		10502300		THREAD CUTTER						1	
60		14113468		BOBBIN THREAD TENSION ASM.						1	
61		14113450		BOBBIN THREAD T- ENSION ROD ASM.				*		1	
62	R	B3126012000	22921506	THREAD TENSION DISK				*		2	1.00
63		D7133555B00		CONNECTING ROD SPRING				*		1	
64		11072402		THREAD TENSION NUT				*		1	
65		NS6110310SP		NUT 11/64-40				*		1	
66		B3204210DB0		BOBBINWINDERASM.						1	
67		B3204210DA0		BOBBIN WINDER SHAFT COMPL.				*		1	
68		22537658		BOBBIN FITTING BASIS COMPL.				*		1	
69		22538409		ADJUSTING PLATE				*		1	
70		10618304		VERTICAL ROLLER WASHER				*		2	
71		RE0500000K0		E-RING				*		1	
72		B152989000CA		PRESSUR FOOT SPRING				*		1	
73		B3205210000		CUSHION				*		1	
74		22538151		BOBBIN CAM SHAFT COMPL.				*		1	
75	R	B1148555000	22912109	SPRING				*		1	1.00
76		A321600100A		RUBBER RING				*		1	
77		B3212761000		LATCH SPRING				*		1	
78		SS8110422TP		SCREW 11/64-40 L=4				*		1	
79		22538300		BOBBIN LEVER				*		1	
80		RO092270200		RUBBER RING				*		1	
81		RC0560711KP		RETAINING RING				*		1	
82	R	SS6090620SP	SS6090620TP	SCREW 9/64-40 L=6						1	1.00
83		SS6111140SP		SCREW11/64-40L=11						3	
84	R	13551254	40052806	SAFETY PLATE ASM.						1	1.00
85	D	B1143210000		LABEL	FOR JE					1	
86		CM300200002		CAUTION LABEL(25)	FOR JE					1	
87		CM3002000B2		LABEL(25).	FOR JAPAN					1	
88		CM300200301		SAFETY LABEL, 5(SMALL).	FOR JAPAN					1	
89		CM3002003A1		SAFETY LABEL.,6 (SMALL).	FOR EXPORT					1	
90		CM500100001		CE MARKING LABEL	FOR JE					1	
91	R	13530209	26230409	LUBRICATING OIL WICK STOPPER						1	1.00
92		SL4040891SC		SCREW M4 L=8						1	

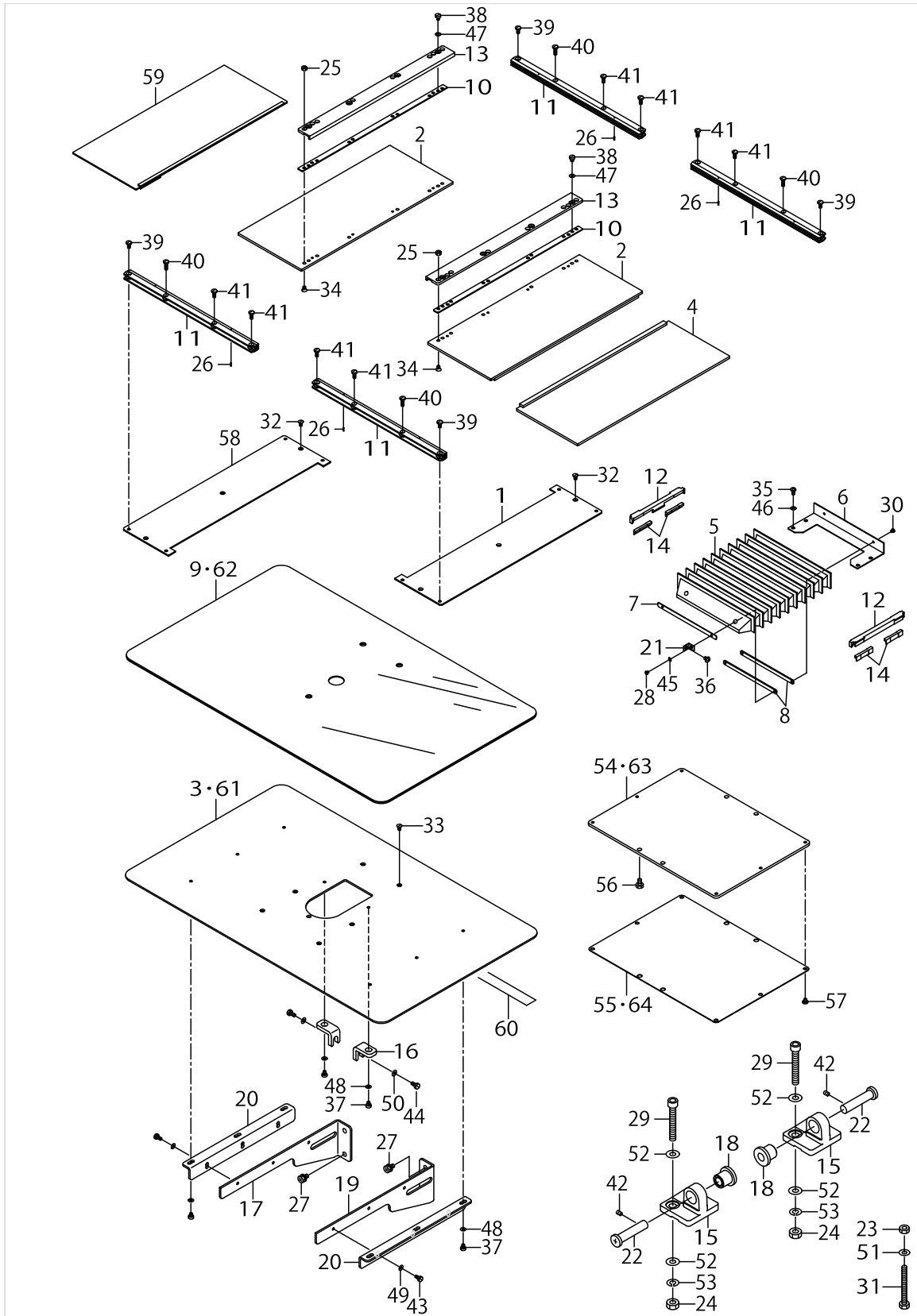
FRAME & MISCELLANEOUS COVER COMPONENTS (2)



FRAME & MISCELLANEOUS COVER COMPONENTS (2)

No.	Supply Code	Parts No.	Replacement	Parts name	Remarks	Choice	Step	Level	Cons	Qty	Rep. QTY
1	D	B1108221D00		FEED BASE COVER						1	
2		B1110221DA0		X FEED UPPER COVER ASM.						2	
3		B1112221D00		NEEDLE PLATE SUPPORT COVER	FOR 221D					1	
4		B1118221DA0		X FEED LOWER COVER ASM.						1	
5		B1153221D00		FEED COVER						1	
6		B1154221D00		FEED COVER STAY						1	
7		B1155221D00		FEED COVER FIX PLATE						1	
8		B1156221D00		FEED COVER FIX PLATE,B						2	
9		B1170221D00		NEEDLE PLATE COVER SHEET	FOR 221D					1	
10		B1180221D00		FEED COVER RAIL STOPPER PLATE						2	
11		B1181221D00		FEED BASE SUPPORT COVER RAIL X						4	
12		B1182221D00		Y GUIDE RAIL BRACKET						2	
13		B1183221D00		FEED BASE SUPPORT COVER RAIL Y						2	
14		B1193221D00		Y GUIDE RAIL BUSH						4	
15		B1111215000		BED HINGE						2	
16		B1113223C00		COVER SUPPORTER						2	
17		B1113224000		AUXILIARY COVER SUPPORT RIGHT						1	
18		B1115215000		BED HINGE RUBBER PAD						2	
19		B1121224000		AUXILIARY COVER SUPPORT LEFT						1	
20		B1132223C00		COVER BASE						2	
21		B1157215000		MOVEMENT COVER PLATE						2	
22		B2529232000		FEED ACROSS REGULATOR SHAFT						2	
23		NM6080001SC		NUT M8X1.25						1	
24		NM6100001SC		NUT M10X1.5						4	
25		NS6110310SP		NUT 11/64-40						8	
26		PS0150065KP		SPRING PIN 1.5X6						4	
27		SL9061291SE		WASHER HEXAGONAL BOLT M6 L=12						4	
28		SM4030401SC		SCREW M3X0.5 L=4						2	
29	D	SM6107002TP		SCREW M10 L=70						4	
30		SM7030450SC		SCREW M3X0.5 L=4						2	
31		SM9087523SE		HEAXGON BOLT						1	
32		SS1110840SP		SCREW 11/64-40 L=8						6	
33		SS1110840SP		SCREW 11/64-40 L=8						2	
34		SS2110710TP		SCREW 11/64-40 L=7						8	
35		SS4110915SP		SCREW 11/64-40 L=9						4	
36		SS4120615SP		SCREW 3/16-28 L=6						2	
37		SS6110610TP		SCREW 11/64-40 L=6						8	
38		SS6110610TP		SCREW 11/64-40 L=6						8	
39		SS7110910TP		SCREW 11/64-40 L= 8.5						4	
40		SS7111410TP		SCREW11/64-40L=14						4	
41		SS7111120TP		SCREW						8	
42		SS8150822TP		SCREW 15/64-28 L=8						2	
43		SS9110920CP		SCREW 11/64-40 L=9						6	
44		SS9121010TP		SCREW						2	

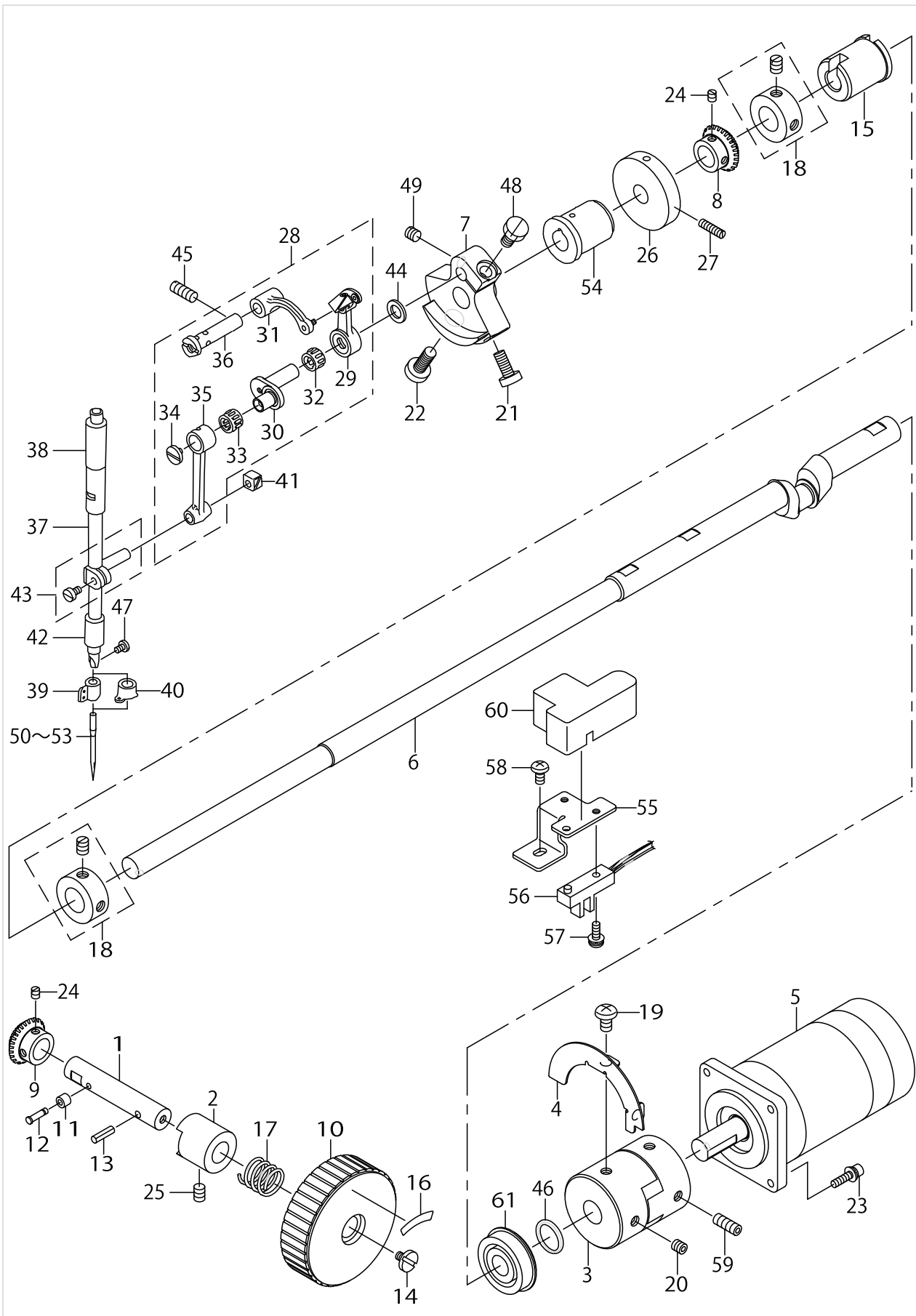
FRAME & MISCELLANEOUS COVER COMPONENTS (2)



FRAME & MISCELLANEOUS COVER COMPONENTS (2)

No.	Supply Code	Parts No.	Replacement	Parts name	Remarks	Choice	Step	Level	Cons	Qty	Rep. QTY
45		WP0330501SB		WASHER M3						2	
46		WP0450801SD		WASHER 4.5X10X0.8						4	
47		WP0450801SD		WASHER 4.5X10X0.8						8	
48		WP0520656SA		WASHER 5.2X9.5X0.6						8	
49		WP0520656SA		WASHER 5.2X9.5X0.6						6	
50		WP0520656SA		WASHER 5.2X9.5X0.6						2	
51		WP0851846SC		WASHER 8.5X22.0X1.8						1	
52		WP1052001SC		WASHER 10,5X21X2						8	
53		WS1020002KN		SPRING WASHER M10						4	
54		B1502221D00		PRESSER PLATE	FOR 221D					1	
55		B1504221D00		PRESSER PLATE SHEET	FOR 221D					1	
56		SM9061003CP		SCREW M6 L=10						4	
57		SS7110570SP		SCREW 11/64-40 L= 4.8						6	
58	D	B1108221D0A		FEED BASE COVER						1	
59		B1118221DAA		X FEED LOWER COVER ASM.,LEFT						1	
60	D	B1185221D00		TAPE						1	
61		B1112215000		NEEDLE PLATE AUXILIARY COVER	FOR 215D					1	
62		B1170215000		AUXILIARY COVER SHEET	FOR 215D					1	
63	D	B1502215D00		PRESSER PLATE	FOR 215D					1	
64		B1504215D00		PRESSER PLATE SHEET	FOR 215D					1	

MAIM SHAFT & NEEDLE BAR COMPONENTS

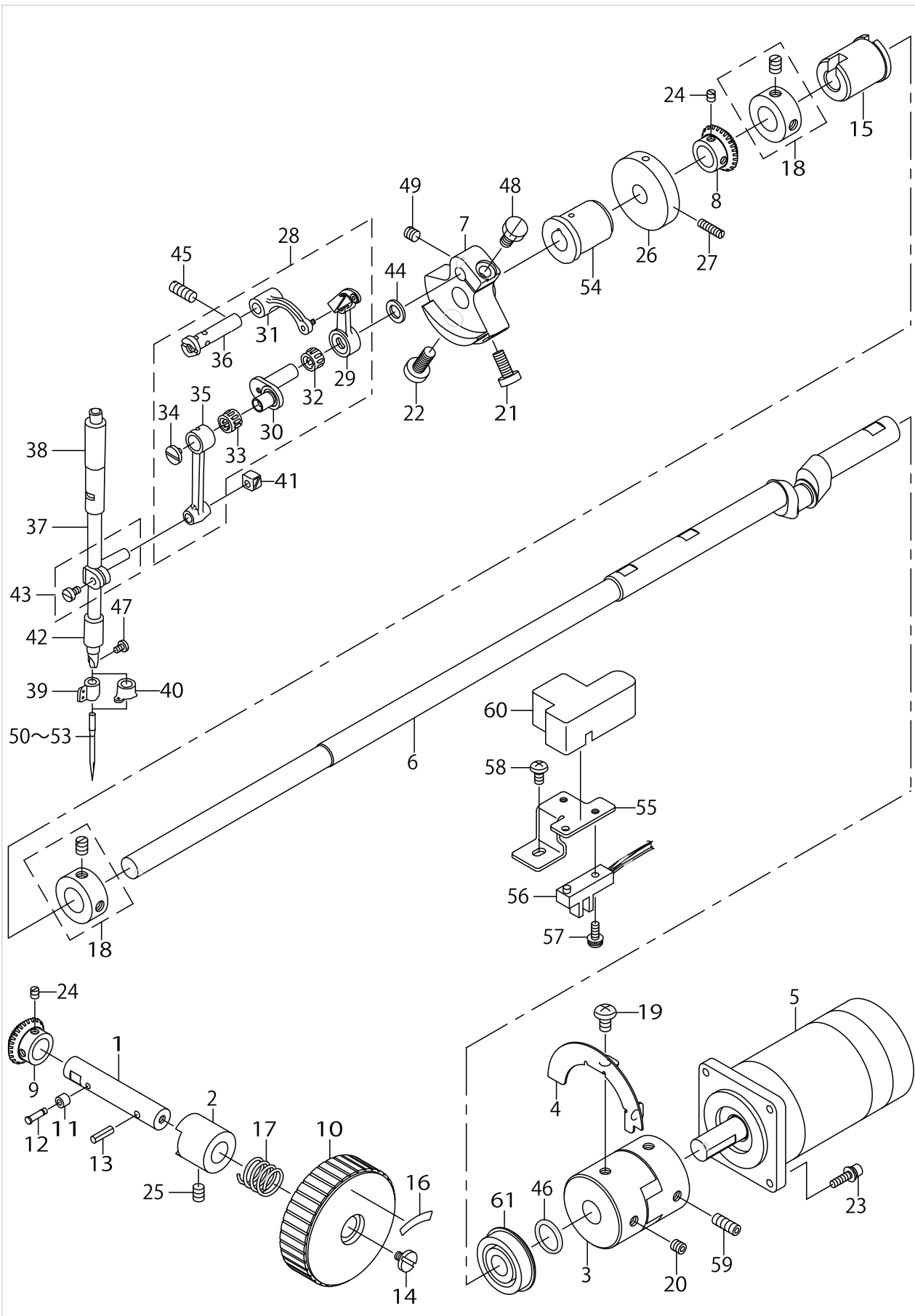


MAIM SHAFT & NEEDLE BAR COMPONENTS

No.	Supply Code	Parts No.	Replacement	Parts name	Remarks	Choice	Step	Level	Cons	Qty	Rep. QTY
1	R	B1213210D00	40044053	PULLEY SHAFT						1	1.00
2		B1214210D00		PULLEY BUSHING						1	
3		B1231210D00		COUPLING						1	
4		B1232210D00		MAIN SHAFT SLIT PLATE						1	
5	D	B1230210D00		MAIN MOTOR						1	
6	D	B1201221D00		MAIN SHAFT						1	
7		B1206210D00		COUNTER WEIGHT						1	
8		B1215210D00		PULLEY GEAR,A						1	
9		B1216210D00		PULLEY GEAR,B						1	
10		B1212210D00		PULLEY						1	
11		11217213		ROLLER						1	
12		11217114		ROLLER SHAFT						1	
13		PS0400142KH		SPRING PIN 4X14						1	
14		A1230500000A		HANDWHEEL SETSCREW						1	
15		B1203215000		BUSHING INNER						1	
16		B1144210000		REVOLVING DIRECTION LABEL						1	
17		GAF01007000		SPRING						1	
18	R	CS147121ASH	22904155	THRUST COLLAR A- SM.D=14.72 W=12						2	1.00
19		SL4061091SC		SCREW						2	
20		SM8060612TP		SCREW M6 L=6						2	
21		SS6151412TP		SCREW 15/64-28L=14						1	
22		SS6681712TP		SCREW 9/32-28 L=16.5						1	
23		SL6041692TN		SCREW						4	
24	R	SS8110510SP	SS8110520TP	SCREW 11/64-40 L=5						4	1.00
25		SM8060812TP		SCREW M6 L=8						1	
26		B3213205000		BOBBIN WINDER DRIVING WHEEL						1	
27		SS8111610SP		SCREW 11/64-40 L=15.5						2	
28		B1901210DC0		LINK THREAD TAKE-UP						1	
29		B1901210DA0		THREAD TAKE-UP LEVER COMPL.				*		1	
30	D	B1407210D00		NEEDLE BAR CRANK				*		1	
31	R	B1903210000	B19012100C0	THREAD TAKE-UP CRANK				*		1	1.00
32	R	B1905541000	B1905541A00	NEEDLE BUSHING		A		*		1	1.00
32	R	B1905541000	B1905541B00	NEEDLE BUSHING		B		*		1	1.00
32	R	B1905541000	B1905541C00	NEEDLE BUSHING		C		*		1	1.00

A:ローラー径2-
φ公差 0 ~
-0.002/A:R-
OLLER dia-
meter 2φ to-
lerance 0 ~ -0.002
B::ローラー径-
2 φ公差 -0-
.002 ~ -0.0-
04/B::ROL-
LER diame-
ter 2 φ toler-
ance -0.002 ~ -0.004
C::ローラー径-
2 φ公差 -0-
.004 ~ -0.0-
06/C::ROL-
LER diame-
ter 2 φ toler-
ance -0.004 ~ -0.006

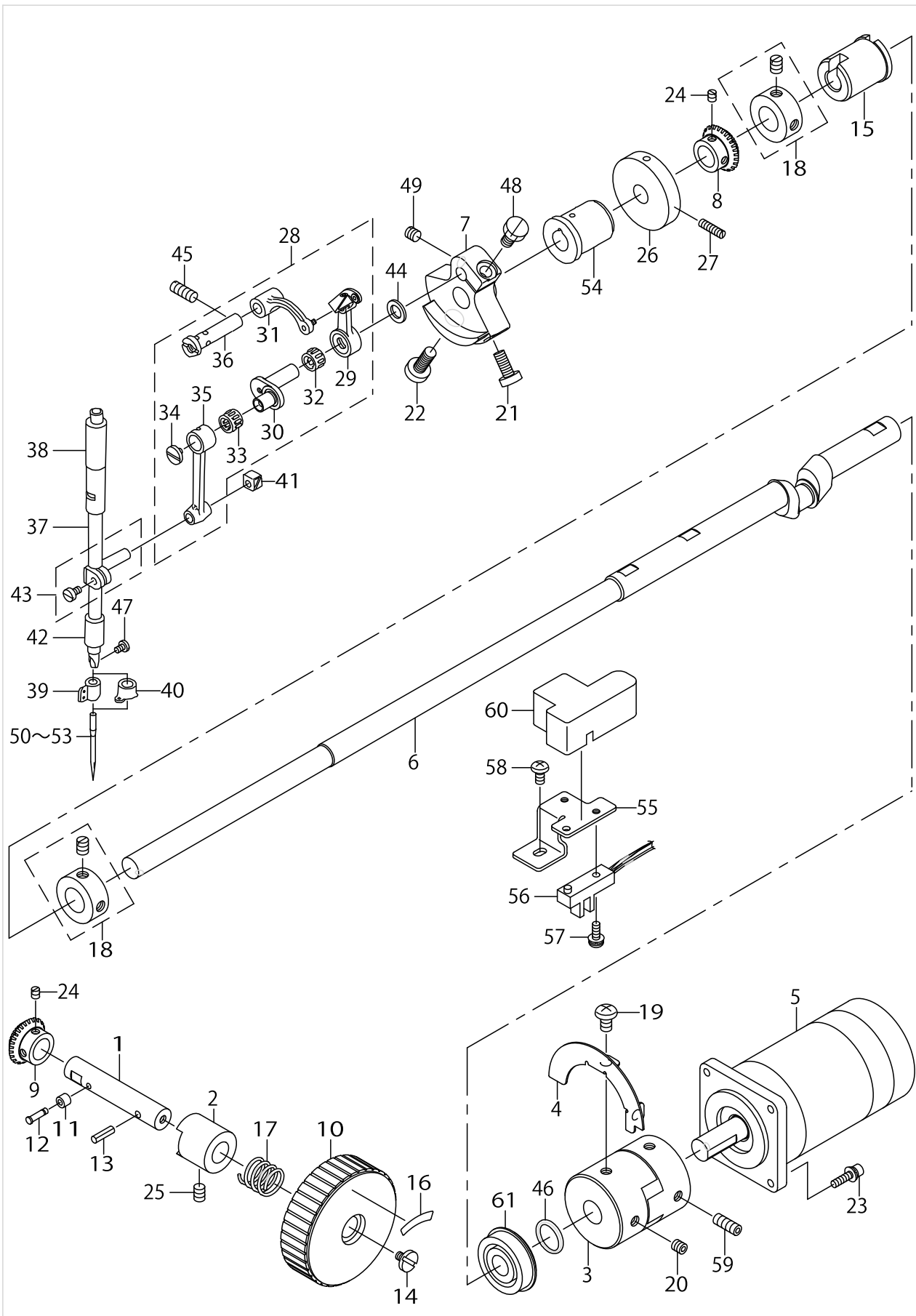
MAIM SHAFT & NEEDLE BAR COMPONENTS



MAIM SHAFT & NEEDLE BAR COMPONENTS

No.	Supply Code	Parts No.	Replacement	Parts name	Remarks	Choice	Step	Level	Cons	Qty	Rep. QTY
32	R	B1905541000	B1905541D00	NEEDLE BUSHING		D	D::ローラー径-2φ公差 -0.006~-0.008/D::ROLLER diameter 2φ tolerance -0.006~-0.008	*		1	1.00
33	R	B1411804000	B1411804A00	NEEDLE DRIVING LEVER BEARING		A	A:	*		1	1.00
33	R	B1411804000	B1411804B00	NEEDLE DRIVING LEVER BEARING		B	B:	*		1	1.00
33	R	B1411804000	B1411804C00	NEEDLE DRIVING LEVER BEARING		C	C:	*		1	1.00
33	R	B1411804000	B1411804D00	NEEDLE DRIVING LEVER BEARING		D	D:	*		1	1.00
34		B1903552000		LEFT SCREW				*		1	
35		B1404280000		NEEDLE BAR CRANK ROD				*		1	
36		B1904280000		BALANCE CRANK PIN				*		1	
37		B1401210A00		NEEDLE BAR						1	
38	R	B1402280000	26203208	NEEDLE ROD METAL						1	1.00
39		B1405210000		THREAD GUIDE A	FOR 2ΔΔDSS,DSL					1	
40	R	B1406210000	40026884	THREAD GUIDE	FOR 2ΔΔDHS,DHL					1	1.00
41		B1414232000		SQUARE BLOCK						1	
42		B1403280000		NEEDLE ROD LOWER METAL						1	
43		B14115520A0		NEEDLE BAR CONNECTING ASM.						1	
44		B1223771000		NEEDLE ROD CRANK WASHER						1	
45		SS8151550SP		SCREW 15/64-28L=15						1	
46		RO137230100		RUBBER RING						1	
47		SS7080510TP		SCREW 1/8-44 L=4.5						1	
48		SS9661230CP		SCREW 1/4-40 L=12						1	
49		SS8660610TP		SCREW 1/4-40 L=6						1	
50		MDP500B1400		NEEDLE DPX5 #14	FOR 2ΔΔDSS,DSL					1	
51		MDP170B1800		NEEDLE DPX17 #18	FOR 2ΔΔDHS,DHL					1	
52		MC200501000		NEEDLE #100	FOR 2ΔΔDSS,DSL					1	
53		MC372001100		NEEDLE 135X17 #110	FOR 2ΔΔDHS,DHL					1	
54		B1202210000		BUSHING, FRONT						1	
55		B4001221D00		MAIN SHAFT SENSOR FIX BASE						1	
56	R	HD001930000	WS0610002KN	PHOTO INTERRUPTER		A	AMS-210D SERIES			1	2.00
56	R	HD001930000	SM4060801SE	PHOTO INTERRUPTER		A	AMS-210D SERIES			1	2.00
56	R	HD001930000	40013254	PHOTO INTERRUPTER		A	AMS-210D SERIES			1	1.00
56	R	HD001930000	HD002230000	PHOTO INTERRUPTER		A	AMS-210D SERIES			1	1.00
56	R	HD001930000	B4130221DA0B	PHOTO INTERRUPTER		B	AMS-215D-/221D SERIES			1	1.00
56	R	HD001930000	HD002230000	PHOTO INTERRUPTER		B	AMS-215D-/221D SERIES			1	1.00
56	R	HD001930000	SM4060801SE	PHOTO INTERRUPTER		B	AMS-215D-/221D SERIES			1	2.00
56	R	HD001930000	WS0610002KN	PHOTO INTERRUPTER		B	AMS-215D-/221D SERIES			1	2.00
56	R	HD001930000	14115158	PHOTO INTERRUPTER		C	LK-1900 SERIES			1	1.00
56	R	HD001930000	M90115900A0	PHOTO INTERRUPTER		C	LK-1900 SERIES			1	1.00
56	R	HD001930000	SM4060801SE	PHOTO INTERRUPTER		C	LK-1900 SERIES			1	2.00
56	R	HD001930000	14115356	PHOTO INTERRUPTER		C	LK-1900 SERIES			1	1.00
56	R	HD001930000	HD002230000	PHOTO INTERRUPTER		C	LK-1900 SERIES			1	1.00
56	R	HD001930000	WS0610002KN	PHOTO INTERRUPTER		C	LK-1900 SERIES			1	2.00

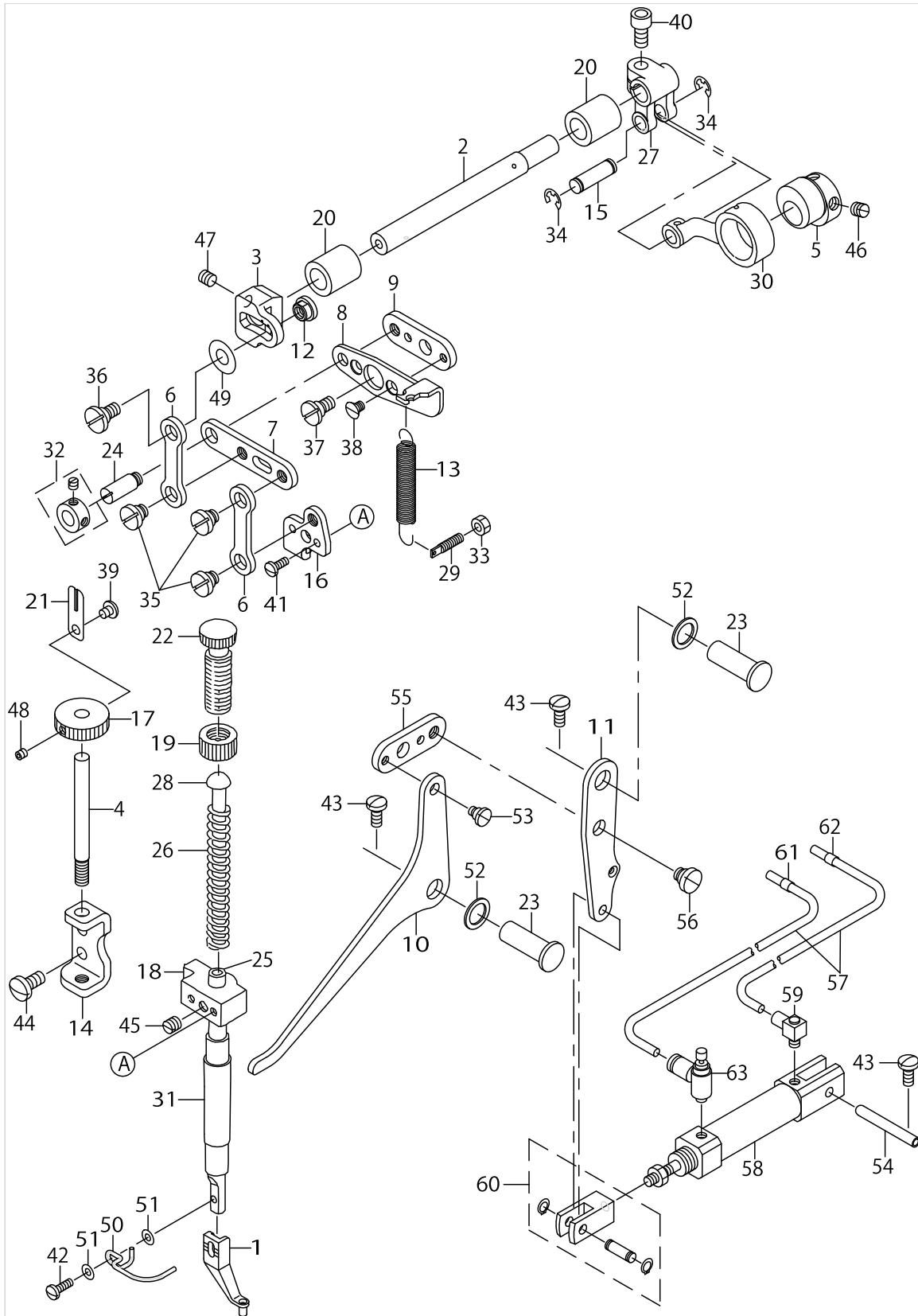
MAIM SHAFT & NEEDLE BAR COMPONENTS



MAIM SHAFT & NEEDLE BAR COMPONENTS

No.	Supply Code	Parts No.	Replacement	Parts name	Remarks	Choice	Step	Level	Cons	Qty	Rep. QTY
56	R	HD001930000	14115356	PHOTO INTERRUPTER		D	LK-1910/1-920/1930 SERIES			1	1.00
56	R	HD001930000	M90115900A0	PHOTO INTERRUPTER		D	LK-1910/1-920/1930 SERIES			1	1.00
56	R	HD001930000	HD002230000	PHOTO INTERRUPTER		D	LK-1910/1-920/1930 SERIES			1	1.00
56	R	HD001930000	SM4060801SE	PHOTO INTERRUPTER		D	LK-1910/1-920/1930 SERIES			1	2.00
56	R	HD001930000	WS0610002KN	PHOTO INTERRUPTER		D	LK-1910/1-920/1930 SERIES			1	2.00
57		SL4041291SC		SCREW M4 L=12						1	
58		SS4120915SP		SCREW 3/16-28 L=9						1	
59		SM8061612TP		SCREW M6X16						2	
60		14114508		MAIN SHAFT SENSOR COVER						1	
61		G1216870000		UPPER SHAFT REAR BEARING						1	

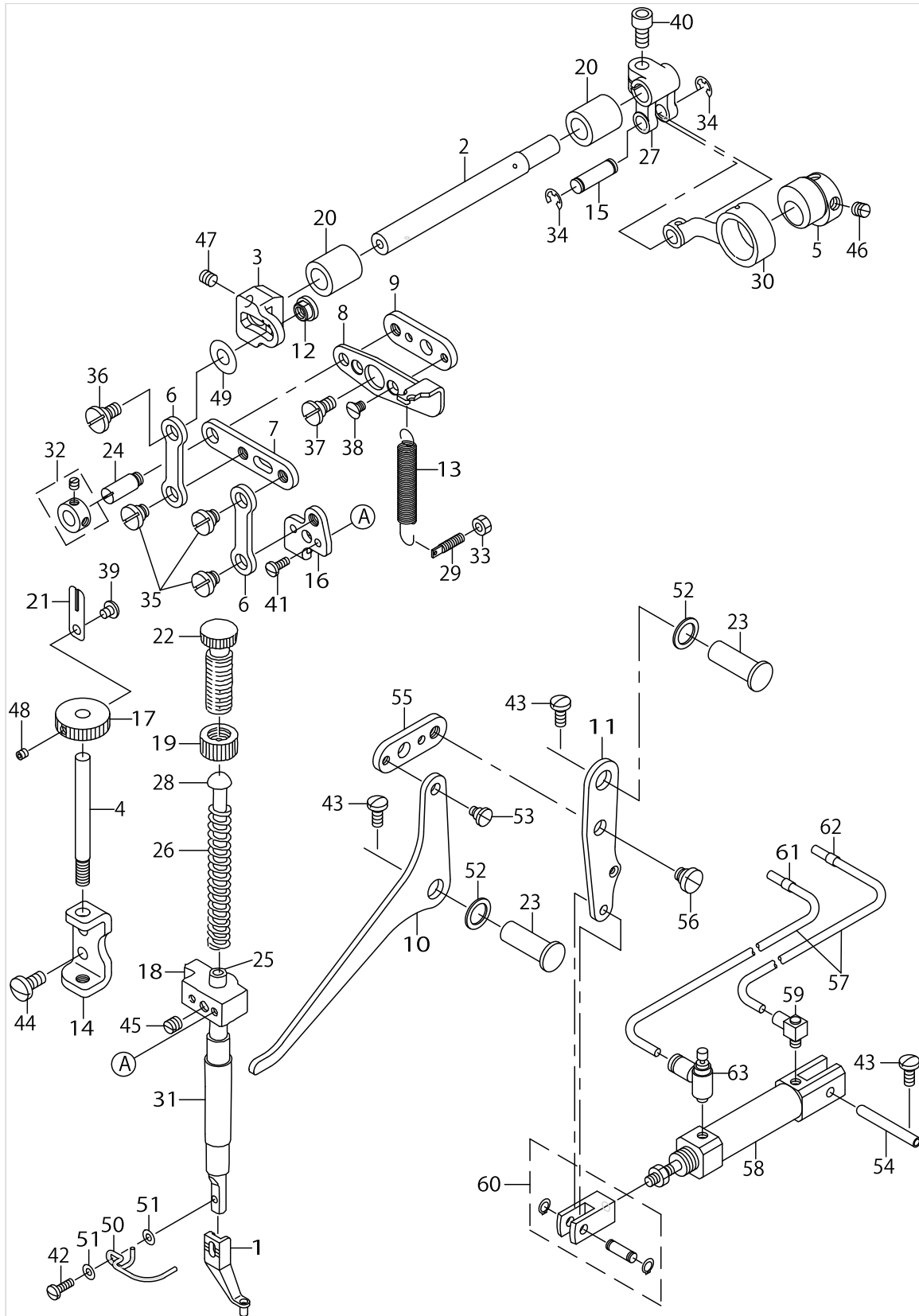
PRESSER MECHANISM COMPONENTS



PRESSER MECHANISM COMPONENTS

No.	Supply Code	Parts No.	Replacement	Parts name	Remarks	Choice	Step	Level	Cons	Qty	Rep. QTY
1	R	B1601210D00A	40023632	INTERMEDIATE PRESSER A						1	1.00
2		B1604221D00		INTERMEDIATE PRESSER SHAFT						1	
3	D	B1603210D00		ADJUSTING ARM						1	
4		B1630210D00		ADJUSTING SHAFT						1	
5	R	B1609210D00	B1609210DA0	ECCENTRIC CAM						1	1.00
6		B1612210D00		INTERMEDIATE PRESSER LINK,A						2	
7		B1610210D00		INTERMEDIATE PRESSER LINK,B						1	
8		B1606210D00		POSITIONING LINK A						1	
9		B1607210D00		POSITIONING LINK B						1	
10		B1620221D00		LIFTING LINK A						1	
11	D	B1622221D00		LIFTING LINK C						1	
12		B1633210D00		ADJUSTING NUT						1	
13		B1642210D00		INTERMEDIATE PRESSER SPRING B						1	
14		B1632210D00		ADJUSTING SHAFT BRACKET						1	
15		B1627210D00		ROD CONNECTING SHAFT						1	
16		B1611210D00		LINK CONNECTING PLATE						1	
17		B1631210D00		HEIGHT ADJUSTING KNOB						1	
18	R	11006004	22907208	PRESSER BAR GUIDE BRACKET						1	1.00
19	R	11071701	22907554	NUT						1	1.00
20	R	11847308	B1602141H00	BUSHING, REAR						2	1.00
21		13717707		ROCKING ADJUSTING SCREW STOPPE						1	
22	R	11071602	22907554	PRESSER SPRING REGULATOR						1	1.00
23		B1641562000		FEED REGULATING ARM SHAFT						2	
24		B1408180000		HINGE SCREW						1	
25	R	B1501127000	40017805	PRESSER BAR						1	1.00
26		B161121000A		INNER PRESSER SPRING.						1	
27	R	12284303	13122403	FORKED LINK						1	1.00
28		B1629224000		PRESSER GUIDE BAR						1	
29	R	B1649161000	26226506	TENSION SPRING ADJUSTING SCREW						1	1.00
30	R	B2102816000A	12284105	CHAIN LOOPER ROD (22MM)						1	1.00
31	R	D1510491D00	40014007	BUSHING, LOWER						1	1.00
32		CS079073ASH		THRUST COLLAR ASM.						1	
33		NS6110310SP		NUT 11/64-40						1	
34		RE0500000K0		E-RING						2	
35		SD0800331TH		HINGE SCREW D=8 H=3.25						3	
36		SD0800402TP		HINGE SCREW D= 8 H= 4						1	
37		SD0790402TP		HINGE SCREW D= 7.94 H= 4						1	
38		SS1110640TP		SCREW 11/64-40 L= 5.5						2	
39		SS6110610TP		SCREW 11/64-40 L=6						1	
40		SM6061202TP		SCREW M6 L=12						1	
41	R	SS7090910SP	SS7090910TP	SCREW 9/64-40 L=8.5						2	1.00
42	R	SS7091110SP	SS7091110TP	SCREW 9/64-40 L=10.5						1	1.00
43		SS7121110SP		SCREW 3/16-28 L=10.5						3	
44		SS7151210SP		SCREW 15/64-28 L=12						2	
45		SS8660610TP		SCREW 1/4-40 L=6						1	

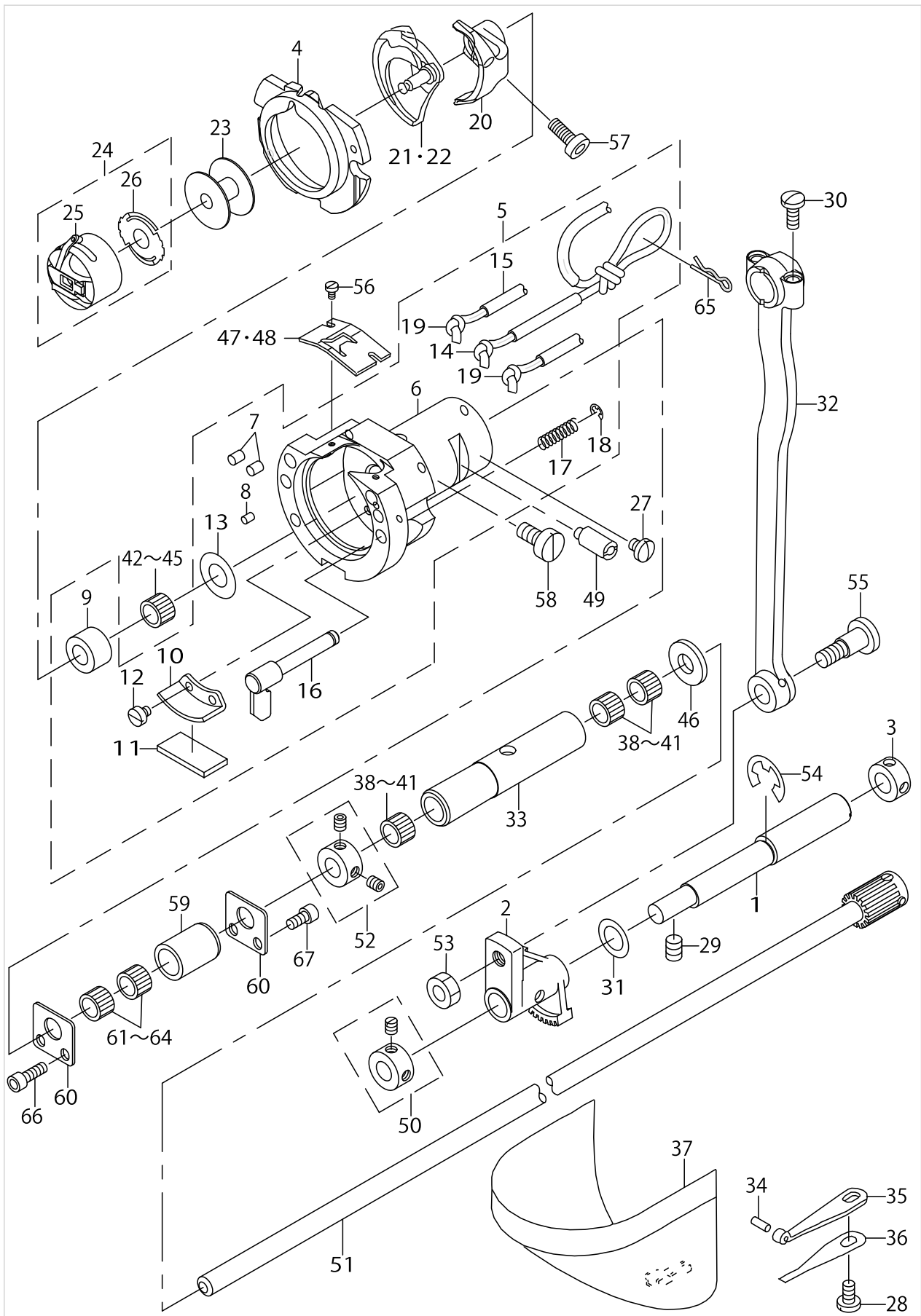
PRESSER MECHANISM COMPONENTS



PRESSER MECHANISM COMPONENTS

No.	Supply Code	Parts No.	Replacement	Parts name	Remarks	Choice	Step	Level	Cons	Qty	Rep. QTY
46		SS8660610TP		SCREW 1/4-40 L=6						2	
47		SM8060602TP		SCREW M6X6						1	
48		SM8040412TP		SET SCREW M3X3						1	
49		WP0611626SP		WASHER 15X6X1.6						1	
50		B1634210D00		FINGER GUARD						1	
51		WP0430800SC		WASHER M4						2	
52	R	13515200	26226001	THREAD CUTTING LINK WASHER						2	1.00
53		SD0600341TP		HINGE SCREW D=6.0 H=3.4						1	
54		B1527581000A		THREAD RELEASE PIN						1	
55		B1607210D00		POSITIONING LINK B						1	
56		SD0800341SP		HINGE SCREW D=8 H=3.4						1	
57		BT0400251EB		URETHANE HOSE, BLACK						1.5	
58		PA1603003A0		INTERMEDIATE PRESSER CYLINDER						1	
59		PJ046052503		HOSE ELBOW						1	
60		PX500020000		KNUCKLE JOINT						1	
61		B471122000A		AIR TUBE LABEL J01						1	
62		B471122000B		AIR TUBE LABEL J02						1	
63		PC010508000		SPEED CONTROLLER						1	

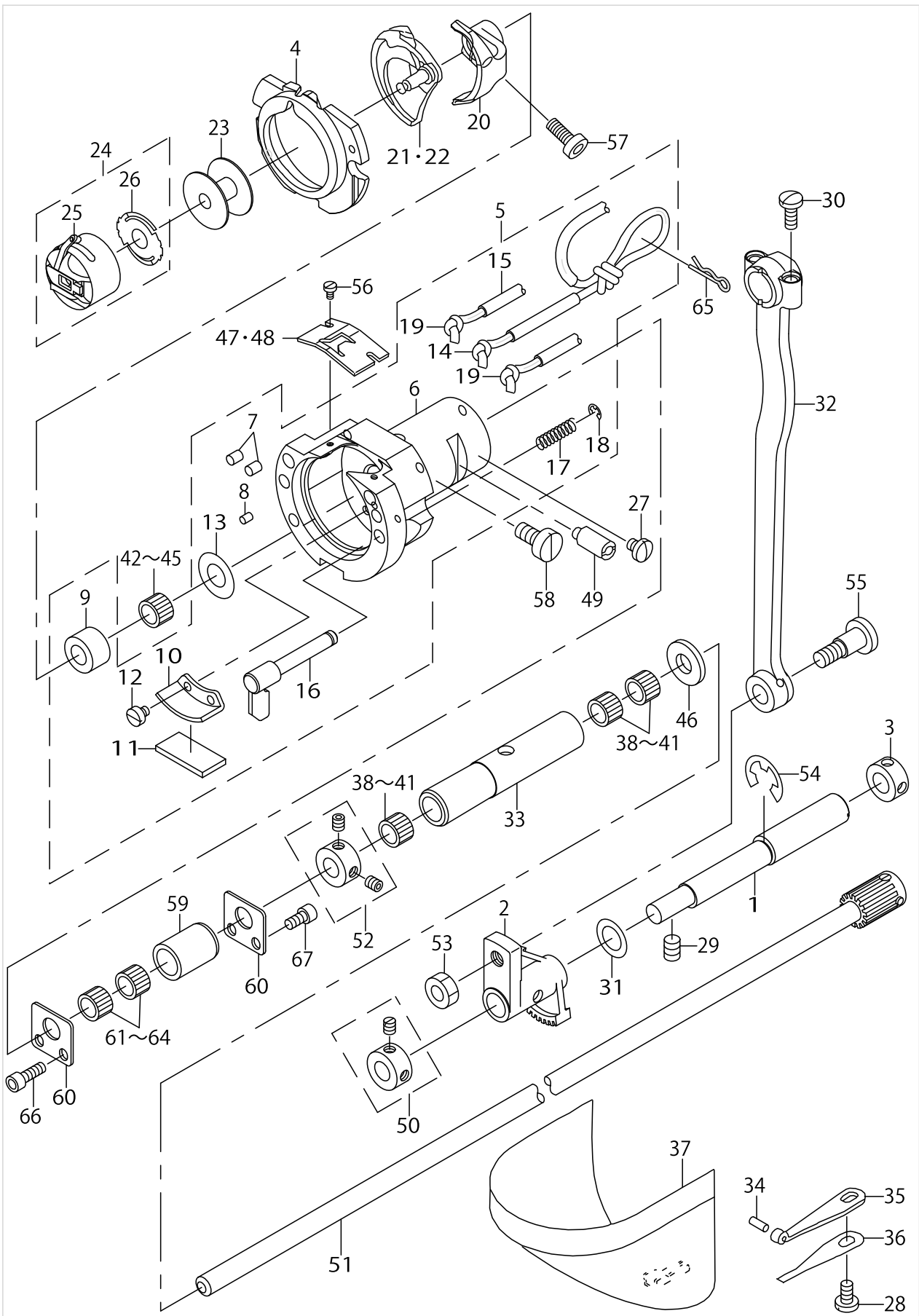
SHUTTLE DRIVER SHAFT COMPONENTS



SHUTTLE DRIVER SHAFT COMPONENTS

No.	Supply Code	Parts No.	Replacement	Parts name	Remarks	Choice	Step	Level	Cons	Qty	Rep. QTY
1		B1836210D00		OSCILLATING ECCENTRIC SHAFT						1	
2	R	B1805210D00	14103402	OSCILLATOR						1	1.00
3		CS1201010SH		THRUST COLLAR ASM. D=12 W=10						1	
4	R	B1817210DAB	14103352	SHUTTLE RACE RING COMPL.,B						1	1.00
5	D	B1814221DA0		SHUTTLE ASM.						1	
6		B1814210D00		SHUTTLE				*		1	
7		B1820210D00		SHUTTLE OIL FELT,A				*		2	
8		B1821210D00		SHUTTLE OIL FELT,B				*		1	
9		B1813980000		SHUTTLE NEEDLE OUTER RING				*		1	
10	R	B3505280000	26231100	SHUTTLE LUBRICATING PLATE				*		1	1.00
11		B3504280000		SHUTTLE FELT				*		1	
12		SS6090440SP		SCREW 9/64-40 L= 4.0				*		2	
13		WP0952616SD		WASHER 9.5X14.8X2.6				*		1	
14		CQ200000000		OIL WICK				*		0.9	
15		BP300000000		VINYL PIPE				*		2.12	
16	R	B1820215PA0A	26501858	INNER HOOK PRESSER ASM.				*		2	1.00
17		B1822215P00		INNER HOOK PRESSER SPRING				*		2	
18		RE0300000K0		E-RING 3				*		2	
19		CQ252200000		OIL WICK				*		1.84	
20		B1812210D00		SHUTTLE DRIVER						1	
21		B1818210D0A		SHUTTLE	FOR 2ΔΔDSS,DSL					1	
22		B1818210D0B		SHUTTLE,H	FOR 2ΔΔDHS,DHL					1	
23		B1806210D00		BOBBIN						1	
24		B1828210DAA		BOBBIN CASE ASM.						1	
25		B1828210D0A		BOBBIN CASE				*		1	
26		B1808210D00		SPRING				*		1	
27		SS7110510SP		SCREW 11/64-40 L=5						1	
28		SS7110840SP		SCREW 11/64-40 L=7.8						1	
29		SS8150822TP		SCREW 15/64-28 L=8						2	
30		SS7111110TP		SCREW 11/64-40 L=10.5						2	
31		10523504		WASHER						1	
32	R	B1802210D00	B1802210DA0	CRANK ROD						1	1.00
33		B1846221D00		LOWER SHAFT REAR METAL						1	
34		13508700		HOOK COVER PRESSER SPRING PIN						1	
35	R	13508809	26221101	HOOK COVER PRESSER SPRING A						1	1.00
36	R	13508908	26221200	HOOK COVER PRESSER SPRING B						1	1.00
37	R	13816855	40142674	CYLINDER ARM CAP						1	1.00
38		B1411804A00		BEARING (A)	SELECTIVE PART					3	
39		B1411804B00		NEEDLE DRIVING L-EVER BEARING B	SELECTIVE PART					3	
40		B1411804C00		NEEDLE DRIVING L-EVER BEARING C	SELECTIVE PART					3	
41		B1411804D00		BEARING (D)	SELECTIVE PART					3	
42		B1411804A00		BEARING (A)	SELECTIVE PART					1	
43		B1411804B00		NEEDLE DRIVING L-EVER BEARING B	SELECTIVE PART					1	
44		B1411804C00		NEEDLE DRIVING L-EVER BEARING C	SELECTIVE PART					1	

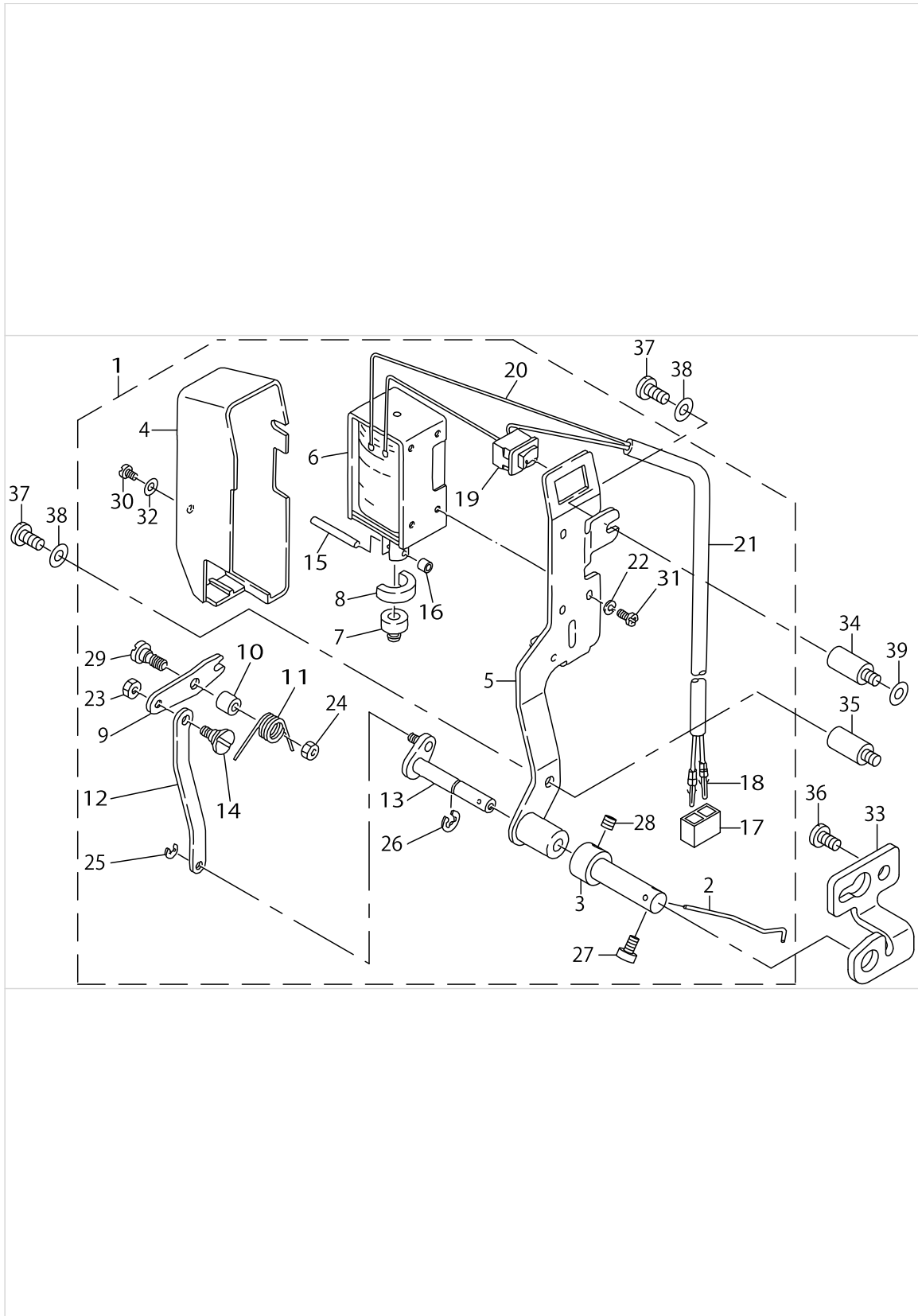
SHUTTLE DRIVER SHAFT COMPONENTS



SHUTTLE DRIVER SHAFT COMPONENTS

No.	Supply Code	Parts No.	Replacement	Parts name	Remarks	Choice	Step	Level	Cons	Qty	Rep. QTY
45		B1411804D00		BEARING (D)	SELECTIVE PART					1	
46		B2529352000		PROTECTION PLATE						1	
47	R	B1815980000	26222109	SHUTTLE UPPER SPRING	FOR 2ΔΔDSS,DSL					1	1.00
48		B1815210000		INNER HOOK UPPER SPRING	FOR 2ΔΔDHS,DHL					1	
49	R	B1819280000	26222208	SHUTTLE RACE AD- JUSTING SHAFT						1	1.00
50		CS100081CSP		THRUST COLLAR ASM.						1	
51		B1811221DA0		SHUTTLE DRIVER SHAFT ASM.						1	
52		CS080081CSH		THRUST COLLAR ASM. D=8.0 W=8						1	
53		NS6660430SP		NUT 1/4-40						1	
54		RE0900000K0		E-RING 9						1	
55		SD0801021TP		HINGE SCREW D= 8 H=10.2						1	
56		SS6060410TP		SCREW 3/32-56 L=3.5						2	
57		SS6121212TP		SCREW 3/16-28 L=12.0						1	
58		SS6151220SP		SCREW 15/64-28 L=11.5						1	
59		B1847221D00		LOWER SHAFT MIDDLE METAL						1	
60		B1849221D00		LOWER SHAFT NEEDLE SUPPORT						2	
61		B1411804A00		BEARING (A)	SELECTIVE PART					2	
62		B1411804B00		NEEDLE DRIVING L- EVER BEARING B	SELECTIVE PART					2	
63		B1411804C00		NEEDLE DRIVING L- EVER BEARING C	SELECTIVE PART					2	
64		B1411804D00		BEARING (D)	SELECTIVE PART					2	
65		B1515210D00		PIN						1	
66		SM6041202TP		SCREW M4X0.7 L=12						2	
67		SM6040802TP		SCREW M4X0.7 L=8						2	

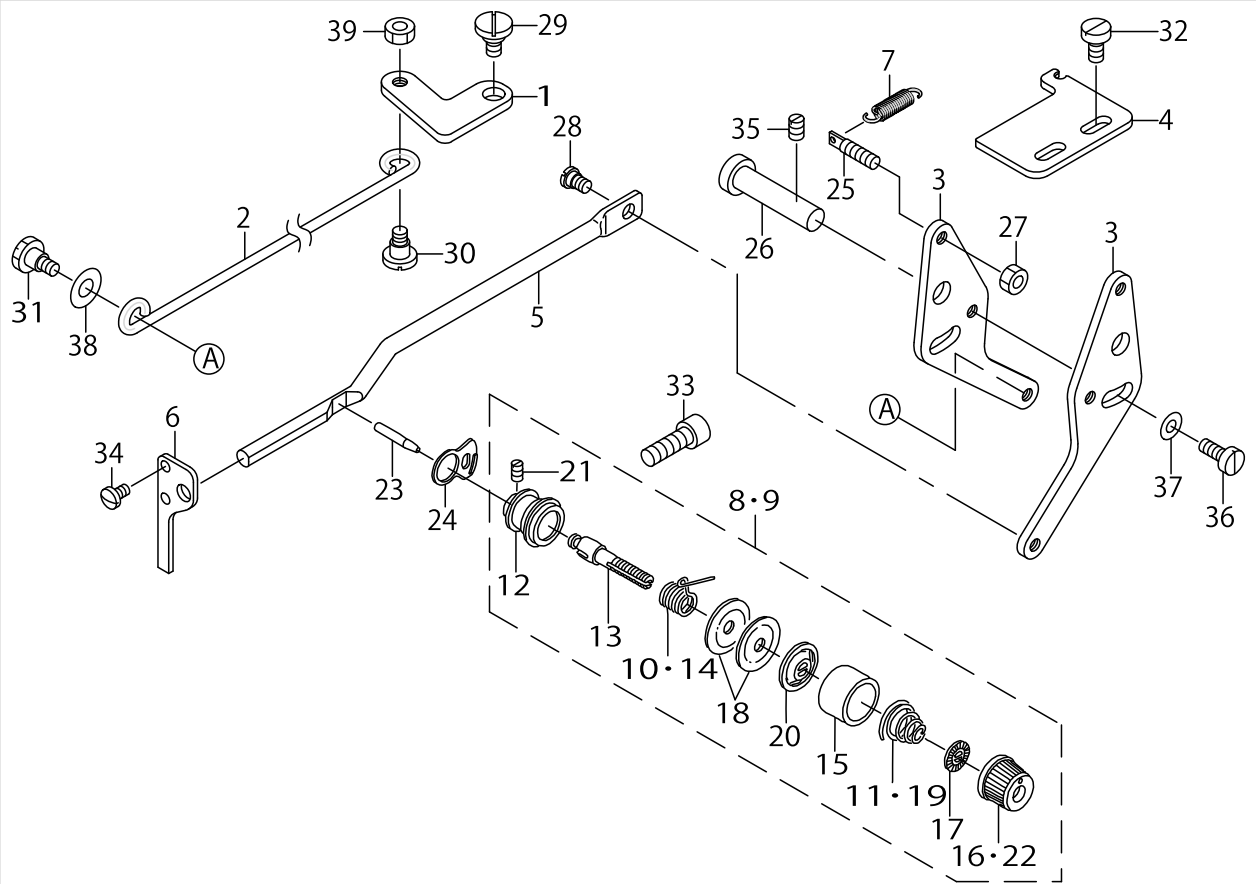
WIPER MECHANISM COMPONENTS



WIPER MECHANISM COMPONENTS

No.	Supply Code	Parts No.	Replacement	Parts name	Remarks	Choice	Step	Level	Cons	Qty	Rep. QTY
1		B2107210DA0		WIPER ASM.						1	
2		B2107210D00		WIPER				*		1	
3		B2111210D00		WIPER SHAFT CAP				*		1	
4	R	11072709	22955504	WIPER COVER				*		1	1.00
5		11110152		WIPER BASE ASM.				*		1	
6	R	11110301	40106936	WIPER SOLENOID				*		1	1.00
7	R	11110400	22955900	WIPER RUBBER A				*		1	1.00
8	R	11110509	22956007	WIPER RUBBER B				*		1	1.00
9	R	11110608	22956106	WIPER LINK A				*		1	1.00
10	R	11110707	22956205	WIPER HINGE SCREW COLLAR				*		1	1.00
11		B2130210D00		WIPER SPRING				*		1	
12	R	11110905	22956403	CONNECTING LINK				*		1	1.00
13	R	11111051	40041419	WIPER DRIVING SHAFT ASM.				*		1	1.00
14	R	11111507	22956908	WIPER LINK B, HINGE SCREW				*		1	1.00
15	R	11112000	22957104	WIPER SOLENOID PIN				*		1	1.00
16	R	11111804	22957203	WIPER LINK COLLAR				*		1	1.00
17		HK034610020		2-POLE NYLON PLUG				*		1	
18		HK034640000		PIN CONTACT				*		2	
19		HA000590000		POWER SWITCH				*		1	
20		HW200390000		ELECTRIC WIRE				*		0.1	
21		HW500070000		2-CORE CABTYRE CORD				*		1.2	
22		WS0310002KR		SPRING WASHER 3.1X5.9X0.7				*		3	
23		NS6090310SP		NUT 9/64-40				*		1	
24		NS6110310SP		NUT 11/64-40				*		1	
25		RE0250000K0		E-RING 2.5				*		1	
26		RE0500000K0		E-RING				*		1	
27		SS6090620TP		SCREW				*		1	
28		SS8110422TP		SCREW 11/64-40 L=4				*		1	
29		SD0650321TP		HINGE SCREW D=6.5 H=3.2				*		1	
30		SM4030601SN		SCREW M3 X 6				*		1	
31		SM4030601SN		SCREW M3 X 6				*		3	
32		WP0320501SC		WASHER M3				*		1	
33		B2110210D00		WIPER SHAFT SUPPORT BRACKET						1	
34		17700402		FACE COVER JOINT						1	
35	R	B3549850000	40009384	LOOPER COVER OIL SHIELD STUD						1	1.00
36		SS7110840SP		SCREW 11/64-40 L=7.8						2	
37	R	SS7110910SP	SS7110910TP	SCREW 11/64-40 L=8.5						2	1.00
38		WP0450801SD		WASHER 4.5X10X0.8						2	
39		WP0482086SD		WASHER 4.8X11.5X2						1	

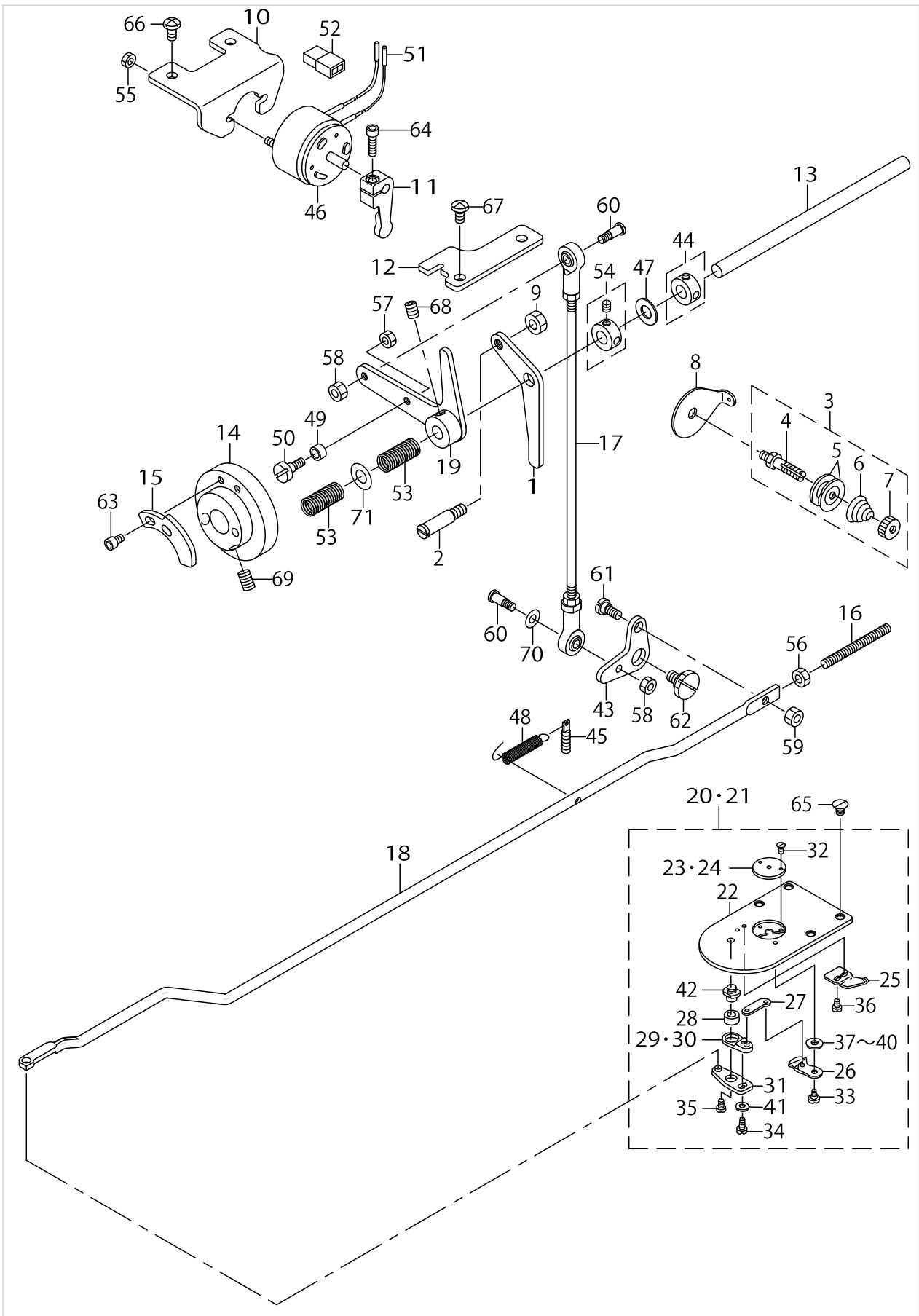
TENSION RELEASE & THREAD TENSION COMPONENTS



TENSION RELEASE & THREAD TENSION COMPONENTS

No.	Supply Code	Parts No.	Replacement	Parts name	Remarks	Choice	Step	Level	Cons	Qty	Rep. QTY
1		B2304210D00		TENSION RELEASE LINK						1	
2		B2308221D00		TENSION RELEASE CONNECTING ROD						1	
3	R	B2306210D00	26500900	TENSION RELEASE ADJUSTING ARM						2	1.00
4		B2315210D00		STOPPER PLATE						1	
5	D	13513205		TENSION RELEASE BAR						1	
6	R	13513304	26218404	THREAD TENSION ARM						1	1.00
7		13716808		SPRING						1	
8		B23022800A0		SECOND THREAD TENSION ASM.	FOR 2ΔΔDSS,DSL					1	
9		B23022050AA		SECOND THREAD TENSION.	FOR 2ΔΔDHS,DHL					1	
10		D3112L4BB00		TAKE-UP SPRING (HEAVY)	FOR 2ΔΔDHS,DHL			*		1	
11		B2305205000		TENSION SPRING	FOR 2ΔΔDHS,DHL			*		1	
12		B2313280000		THREAD TENSION ROD, LARGE				*		1	
13		B2302280000		SECOND THREAD TENSION ROD				*		1	
14		B3112761000		THREAD TAKE-UP SPRING	FOR 2ΔΔDSS,DSL			*		1	
15		B3107804000		THREAD TENSION DISK PRESSER	FOR 2ΔΔDSS,DSL			*		1	
16	R	B3119771000	13817408	THREAD TENSION NUT	FOR 2ΔΔDSS,DSL			*		1	1.00
17		B3120125000		ROTATING STOPPER				*		1	
18	R	B3126012000	22921506	THREAD TENSION DISK				*		2	1.00
19		B3114232000		THREAD TENSION SPRING	FOR 2ΔΔDSS,DSL			*		1	
20		B3132552000		THREAD TENSION DISK PRESSER				*		1	
21		SS8090610SP		SCREW 9/64-40 L=5.9				*		1	
22		13817408		THREAD TENSION NUT	FOR 2ΔΔDHS,DHL			*		1	
23		B2303280000		TENSION RELEASE PIN						1	
24		B2702210000		GUIDE PLATE						1	
25	R	B1649161000	26226506	TENSION SPRING A- DJUSTING SCREW						1	1.00
26		D2431555B00		THREAD TRIMMER SHAFT						1	
27		NS6110310SP		NUT 11/64-40						1	
28		SD0530221SP		HINGE SCREW D= 5.3 H= 2.2						1	
29		SD0720321TP		HINGE SCREW						1	
30		SD0640391TP		HINGE SCREW D= 6.35 H= 3.9						1	
31		SD0640482SP		HINGE SCREW D= 6.35 H= 4.8						1	
32		SS6120940SP		SCREW 3/16-28 L=9						2	
33		SS6151812TP		SCREW 15/64-28 L=18						1	
34		SS7090620TP		SCREW 9/64-40 L=6.1						2	
35		SS8120740SP		SCREW 3/16-28 L=7						1	
36		SS6111140SP		SCREW 11/64-40 L=11						1	
37		WP0482086SD		WASHER 4.8X11.5X2						1	
38		WP0651056SD		WASHER 6.5X11X1						1	
39		NS6120310SP		NUT 3/16-28						1	

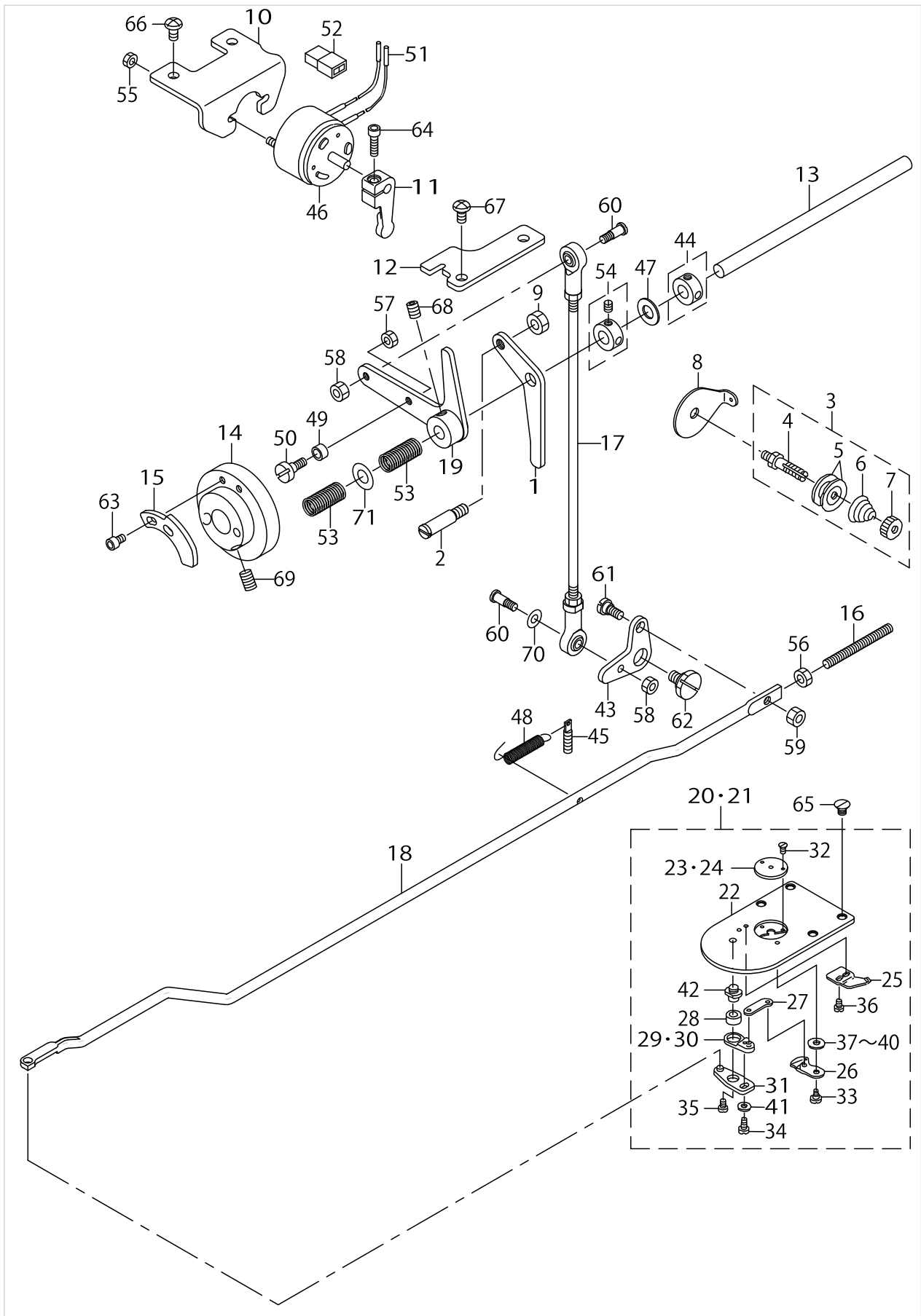
TENSION RELEASE & THREAD TRIMMER MECHANISM COMPONENTS



TENSION RELEASE & THREAD TRIMMER MECHANISM COMPONENTS

No.	Supply Code	Parts No.	Replacement	Parts name	Remarks	Choice	Step	Level	Cons	Qty	Rep. QTY
1	D	B2301210D00		TENSION RELEASE ARM						1	
2	R	14107809	26500504	TENSION RELEASE ARM PIN						1	1.00
3	R	B11152320A0	26218651	FIRST THREAD TENSION ASM.						1	1.00
4	R	B3123352000	26220400	THREAD TENSION ROD				*		1	1.00
5	R	B3126012000	22921506	THREAD TENSION DISK				*		2	1.00
6		B1115232000		FIRST THREAD TENSION SPRING				*		1	
7	R	B3125012000	22928808	THREAD TENSION NUT				*		1	1.00
8		B3111352000		UPPER LOOPER THREAD GUIDE						1	
9		NS6150310SP		NUT 15/64-28						1	
10	D	B2402210D00		MAGNET INSTALLING PLATE						1	
11		B2409210D00		THREAD TRIMMER MAGNET ARM						1	
12		B2412210D00		CAM INSTALLING LINK STOPPER						1	
13		B2408210D00		THREAD TRIMMER SHAFT						1	
14		B2401210D00		THREAD TRIMMER CAM						1	
15		B2312210D00		TENSION RELEASE NOTCH						1	
16		B2440210D00		LINK STOPPER SCREW						1	
17	D	B2407210D00		THREAD TRIMMER CONNECTING ROD						1	
18		B2413221D00		THREAD TRIMMER CONNECTING BAR						1	
19		B2404210DA0		CAM INSTALLING LINK						1	
20	D	B2425221DAA		NEEDLE PLATE ASM.	FOR 2ΔΔDSS,DSL					1	
21		B2425221DAB		NEEDLE PLATE ASM.,H TYPE	FOR 2ΔΔDHS,DHL					1	
22		B2425215000		NEEDLE PLATE				*		1	
23		B242621000A		NEEDLE HOLE GUIDE D=1.6	FOR 2ΔΔDSS,DSL			*		1	
24		B242621000B		NEEDLE HOLE GUIDE D=2.0	FOR 2ΔΔDHS,DHL			*		1	
25		B2424210000		COUNTER KNIFE				*		1	
26		B2421210AA0		MOVING KNIFE COMPL.				*		1	
27		B2418280000		MOVING KNIFE LINK				*		1	
28		B2416280000		THREAD CUTTING LEVER RING				*		1	
29		B24152800A0		THREAD CUTTER L- EVER ASM., SMAL	FOR 2ΔΔDSS,DSL			*		1	
30		B24162100A0		THREAD CUTTER S- MALL LEVER ASM.	FOR 2ΔΔDHS,DHL			*		1	
31		B24142800A0		THREAD CUTTER L- EVER ASM., LARG				*		1	
32		SS1060210TP		SCREW 3/32-56 L=2.2				*		2	
33		B2417210000		MOVING KNIFE HINGE SCREW				*		1	
34		SS7110740TP		SCREW 11/64-40 L=7				*		1	
35		SS6110430TP		SCREW 11/64-40 L= 4.0				*		1	
36		SS7090410SP		SCREW 9/64-40 L= 3.5				*		2	
37		B242328000A		MOVING KNIFE WASHER A	SELECTIVE PART			*		1	
38		B242328000B		MOVING KNIFE WASHER B	SELECTIVE PART			*		1	
39		B242328000C		MOVING KNIFE WASHER C	SELECTIVE PART			*		1	
40		B242328000D		MOVING KNIFE WASHER D	SELECTIVE PART			*		1	
41		WP0450846SP		WASHER				*		1	
42		B2417280000		THREAD CUTTER LEVER SHAFT				*		1	
43		B2411210000		THREAD TRIMMER LINK						1	
44		CS080081CSH		THRUST COLLAR ASM. D=8.0 W=8						1	

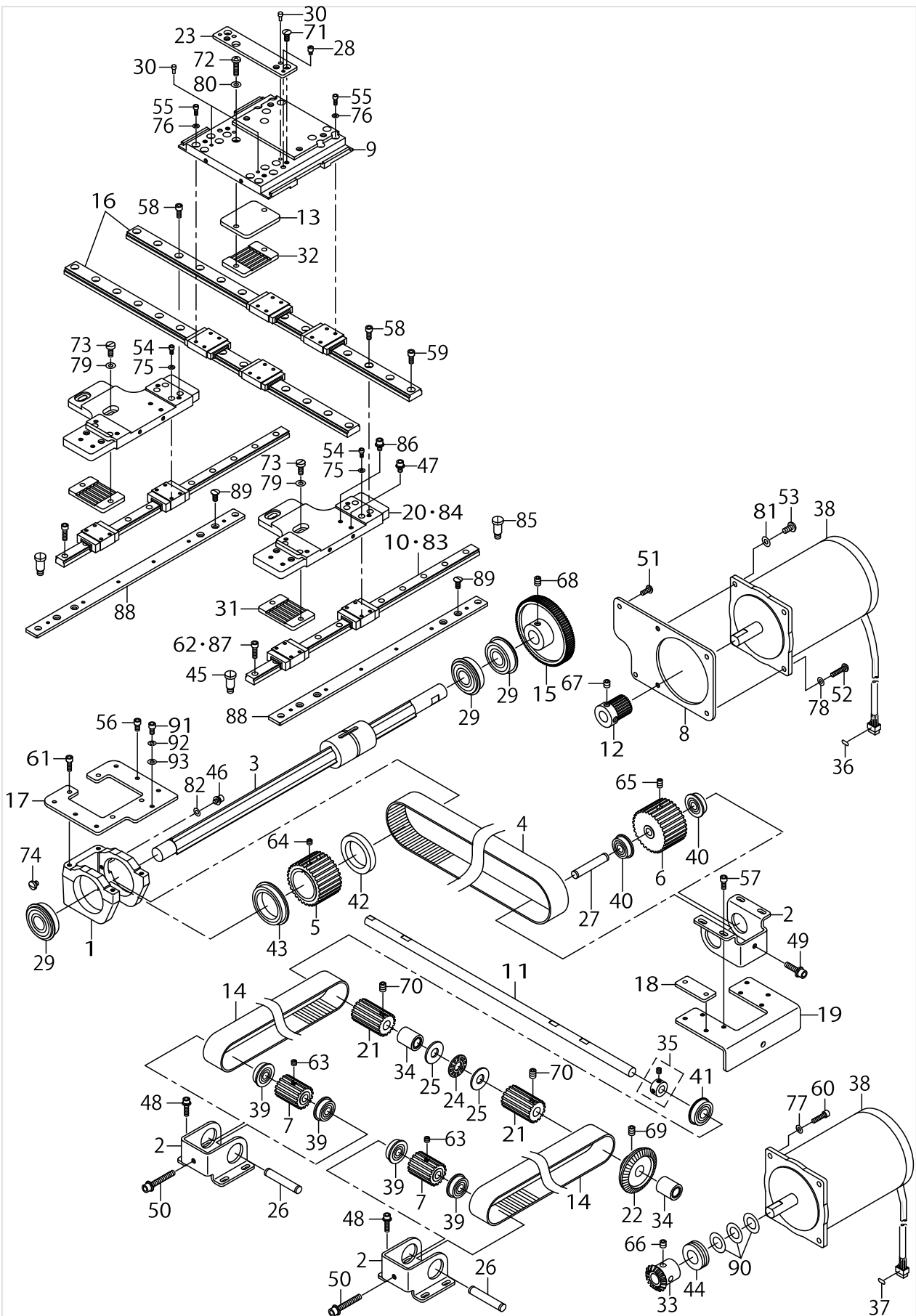
TENSION RELEASE & THREAD TRIMMER MECHANISM COMPONENTS



TENSION RELEASE & THREAD TRIMMER MECHANISM COMPONENTS

No.	Supply Code	Parts No.	Replacement	Parts name	Remarks	Choice	Step	Level	Cons	Qty	Rep. QTY
45	R	B1649161000	26226506	TENSION SPRING A-DJUSTING SCREW						1	1.00
46		B2303205000		SOLENOID						1	
47		B1116804000		CLOTH PLATE WASHER						1	
48		14109300		THREAD TRIM LINK SPRING						1	
49		D2587L8WB00		ROLLER						1	
50		D2588L8WB00		ROLLER SHAFT						1	
51		HK034630000		TERMINAL						2	
52		HK034620020		2P PLUG						1	
53		B2617771000		TRIPPING LEVER T-TENSION SPRING						2	
54		CS080081CSH		THRUST COLLAR ASM. D=8.0 W=8						1	
55		NM6040003SC		NUT M4						2	
56		NM6050001SP		NUT M5						1	
57		NS6110420SP		NUT 11/64-40						1	
58		NS6110420SP		NUT 11/64-40						2	
59		NS6120630SP		NUT 3/16-28						1	
60		SD0500803TP		HINGESCREWD=5H=8						2	
61		SD0650305TP		HINGE SCREW D= 6.5 H= 3						1	
62		SD1100301TP		HINGE SCREW H=11 W=3						1	
63		SM6040602TP		SCREW M4 L=6						2	
64		SM6041402TP		SCREW M4 L=14						1	
65		SS1110640TP		SCREW 11/64-40 L= 5.5						4	
66		SS4120915SP		SCREW 3/16-28 L=9						2	
67		SS4120915SP		SCREW 3/16-28 L=9						2	
68		SS8150822TP		SCREW 15/64-28 L=8						1	
69		SS8661012TP		SCREW						2	
70		WP0501016SD		WASHER 5X10.5X1						1	
71		WP0820526SD		WASHER 8.2X14X0.5						1	

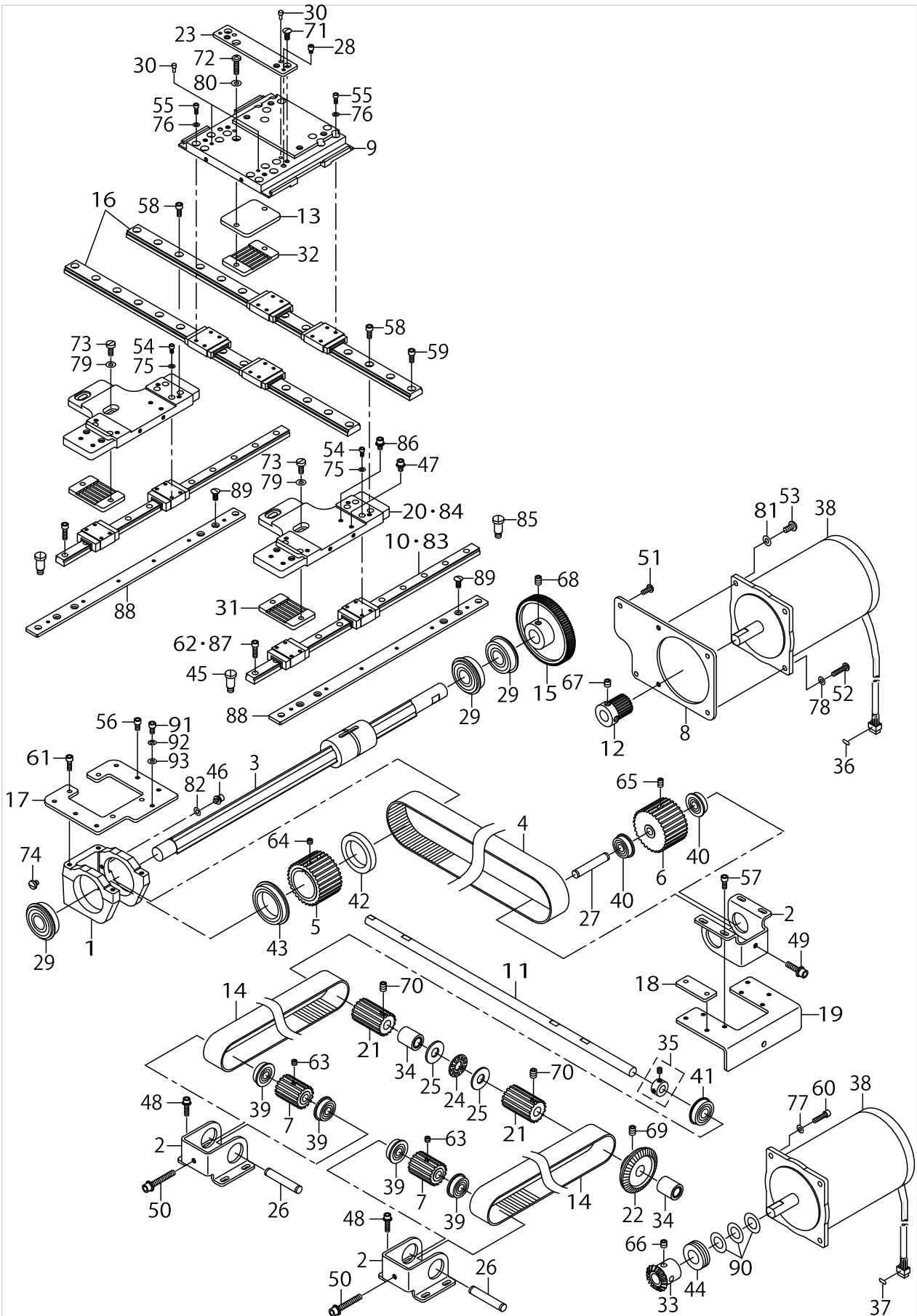
X-Y COMPONENTS



X-Y COMPONENTS

No.	Supply Code	Parts No.	Replacement	Parts name	Remarks	Choice	Step	Level	Cons	Qty	Rep. QTY
1		B2504221D00		X DRIVE BRACKET						1	
2		B2505221D00		DRIVEN BRACKET						3	
3	D	B2506221D00		X DRIVE SPLINE SHAFT						1	
4		B2512221D00		X TIMING BELT						1	
5	D	B2513221D00		X DRIVE SPROCKET						1	
6		B2514221D00		X DRIVEN SPROCKET						1	
7	D	B2516221D00		Y DRIVEN SPROCKET						2	
8		B2517221D00		MOTOR INSTALLING PLATE						1	
9		B2519221D00		X FEED BASE						1	
10	D	B2520221D00		Y-LM GUIDE	FOR 221D					2	
11		B2523221D00		Y DRIVE SHAFT						1	
12		B2525221D00		X DRIVE GEAR						1	
13	D	B2527221D00		X BELT PRESSER FIX PLATE						1	
14	D	B2528221D00		Y TIMING BELT						2	
15		B2534221D00		X DRIVEN GEAR						1	
16	D	B2540221D00		X-LM GUIDE						2	
17		B2541221D00		X DRIVE BRACKET BASE						1	
18		B2542221D00		X DRIVEN BRACKET SPACER						2	
19		B2543221D00		X DRIVEN BRACKET BASE						1	
20	D	B2544221D00		Y FEED BASE	FOR 221D					2	
21	D	B2547221D00		Y DRIVE SPROCKET						2	
22	R	B2548221D00	B2548221DA0	Y DRIVEN GEAR						1	1.00
23	D	B2555221D00		LOWER PLATE INSTALLING PLATE						1	
24		11272408		THRUST COLLAR						1	
25		16992604		THRUST WASHER						2	
26		22687701		SPRING SHAFT						2	
27		22687701		SPRING SHAFT						1	
28		B151902600G		HINGE STUD						2	
29		B1802180000		BUSHING, FRONT						3	
30		B1816280000		GUIDE PIN						4	
31		B2509224000		BELT RECEIVER						2	
32		B2509224000		BELT RECEIVER						1	
33		B2526223C00		Y DRIVE WHEEL						1	
34		GAT23301000		BEARING A 10						2	
35		CS100081CSP		THRUST COLLAR ASM.						1	
36		E2650453000		CONNECTOR MARKER J50						1	
37		E2651453000		CONNECTOR MARKER J51						1	
38		KM000000130		STEPPING MOTOR						2	
39		SB108000500		RADIAL BEARING						4	
40		SB108000500		RADIAL BEARING						2	
41		SB110001300		BEARING						1	
42		SB130000200		BEARING						1	
43		SB130000300		BEARING						1	
44		SB412000100		BEARING						1	
45		SD0791271SP		HINGE SCREW D= 7.94 H=12.7						2	
46		SL6040642TN		BOLT						1	

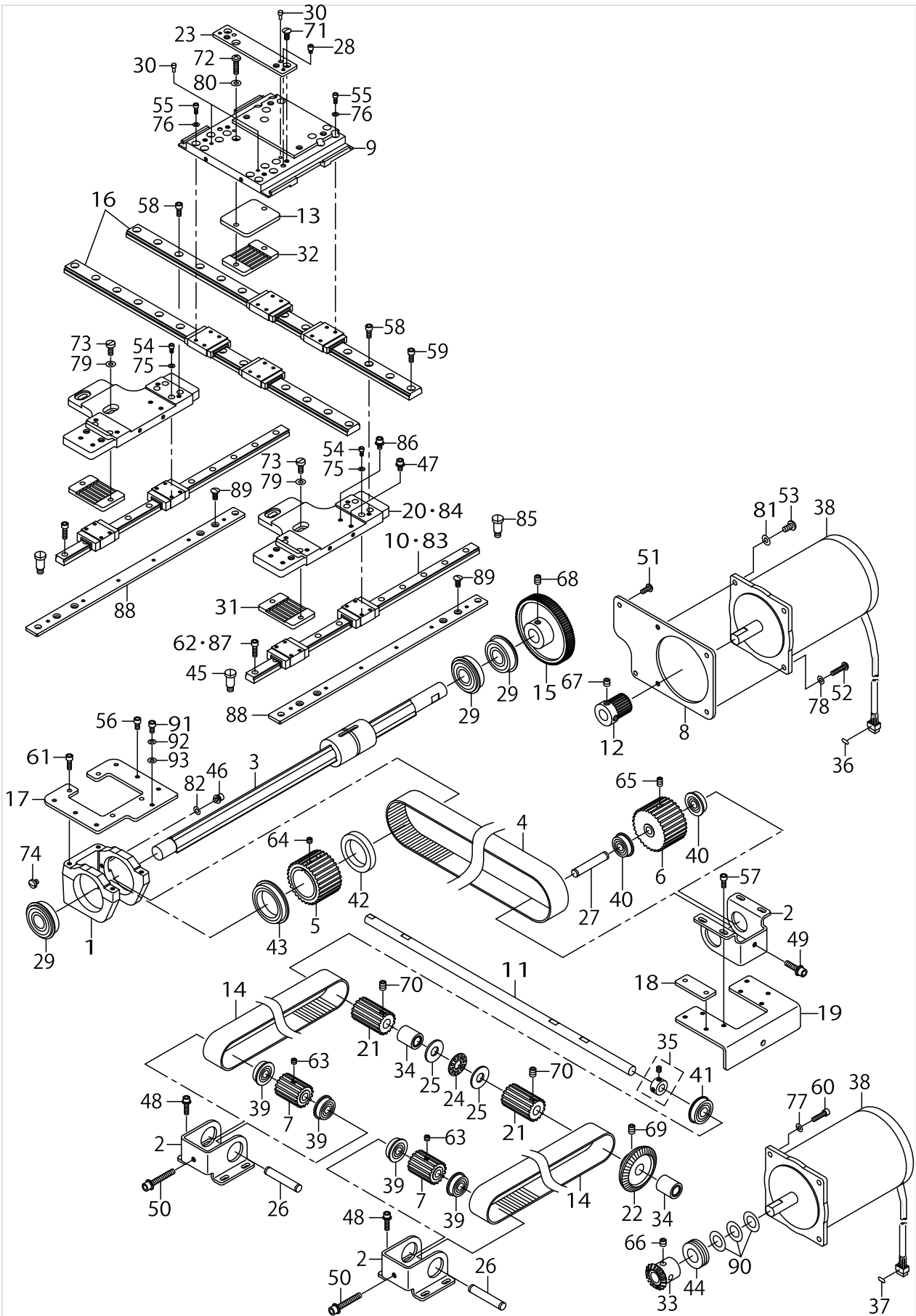
X-Y COMPONENTS



X-Y COMPONENTS

No.	Supply Code	Parts No.	Replacement	Parts name	Remarks	Choice	Step	Level	Cons	Qty	Rep. QTY
47		SL6040892TN		BOLT	FOR 221D					1	
48		SL6041692TN		SCREW						8	
49		SL6052092TN		SCREW						1	
50		SL6053592TN		BOLT						2	
51		SM4041055SP		SCREW						2	
52		SM4041801SN		SCREW M4X0.7 L=18						2	
53		SM4051055SP		SCREW						2	
54		SM6030602TP		SCREW M3X0.5 L=6						16	
55		SM6030802TP		SCREW M3X0.5 L=8						16	
56		SM6040802TP		SCREW M4X0.7 L=8						4	
57		SM6041002TP		SCREW M4 L=10						4	
58		SM6041002TP		SCREW M4 L=10						8	
59		SM6041002TP		SCREW M4 L=10						4	
60		SM6041602TP		SCREW M4X0.7 L=16						4	
61		SM6041202TP		SCREW M4X0.7 L=12						4	
62		SM6041402TP		SCREW M4 L=14	FOR 221D					8	
63		SM8050412TP		SCREW M5 L=4						2	
64		SM8050412TP		SCREW M5 L=4						2	
65		SM8050812TP		SCREW M5X8						1	
66		SM8060602TP		SCREW M6X6						2	
67		SM8060602TP		SCREW M6X6						2	
68		SM8060802TP		SCREW M6 L=8						2	
69		SM8060812TP		SCREW M6 L=8						2	
70		SM8060812TP		SCREW M6 L=8						4	
71		SS2111010TP		SCREW 11/64-40 L=9.5						2	
72		SS4111815SP		SCREW 11/64 L=18						2	
73		SS6111140SP		SCREW 11/64-40 L=11						4	
74		SS7110570SP		SCREW 11/64-40 L= 4.8						1	
75		WP0320500SD		M3 WASHER						16	
76		WP0320501SD		WASHER						16	
77		WP0482086SD		WASHER 4.8X11.5X2						4	
78		WP0482086SD		WASHER 4.8X11.5X2						2	
79		WP0450801SD		WASHER 4.5X10X0.8						4	
80		WP0450846SP		WASHER						2	
81		WP0501016SD		WASHER 5X10.5X1						2	
82		WP0430801SC		WASHER 4.3X9X0.8						1	
83		B2520215D00		Y-LM GUIDE	FOR 215D					2	
84	D	B2544215D00		Y FEED BASE	FOR 215D					2	
85		SD0791271SP		HINGE SCREW D= 7.94 H=12.7	FOR 215D					2	
86		SL6040892TN		BOLT	FOR 215D					1	
87		SM6030802TP		SCREW M3X0.5 L=8	FOR 215D					12	
88		B2545215D00		Y-LM GUIDE INSTALLING PLATE	FOR 215D					2	
89		SS2111010TP		SCREW 11/64-40 L=9.5	FOR 215D					8	
90		B2537221D00		Y DRIVE WHEEL SPACER	Q'TY TO BE SELECTIVE					3	
91		SM6040802TP		SCREW M4X0.7 L=8	FOR 215D					1	
92		WS0410002KN		SPRING WASHER	FOR 215D					1	

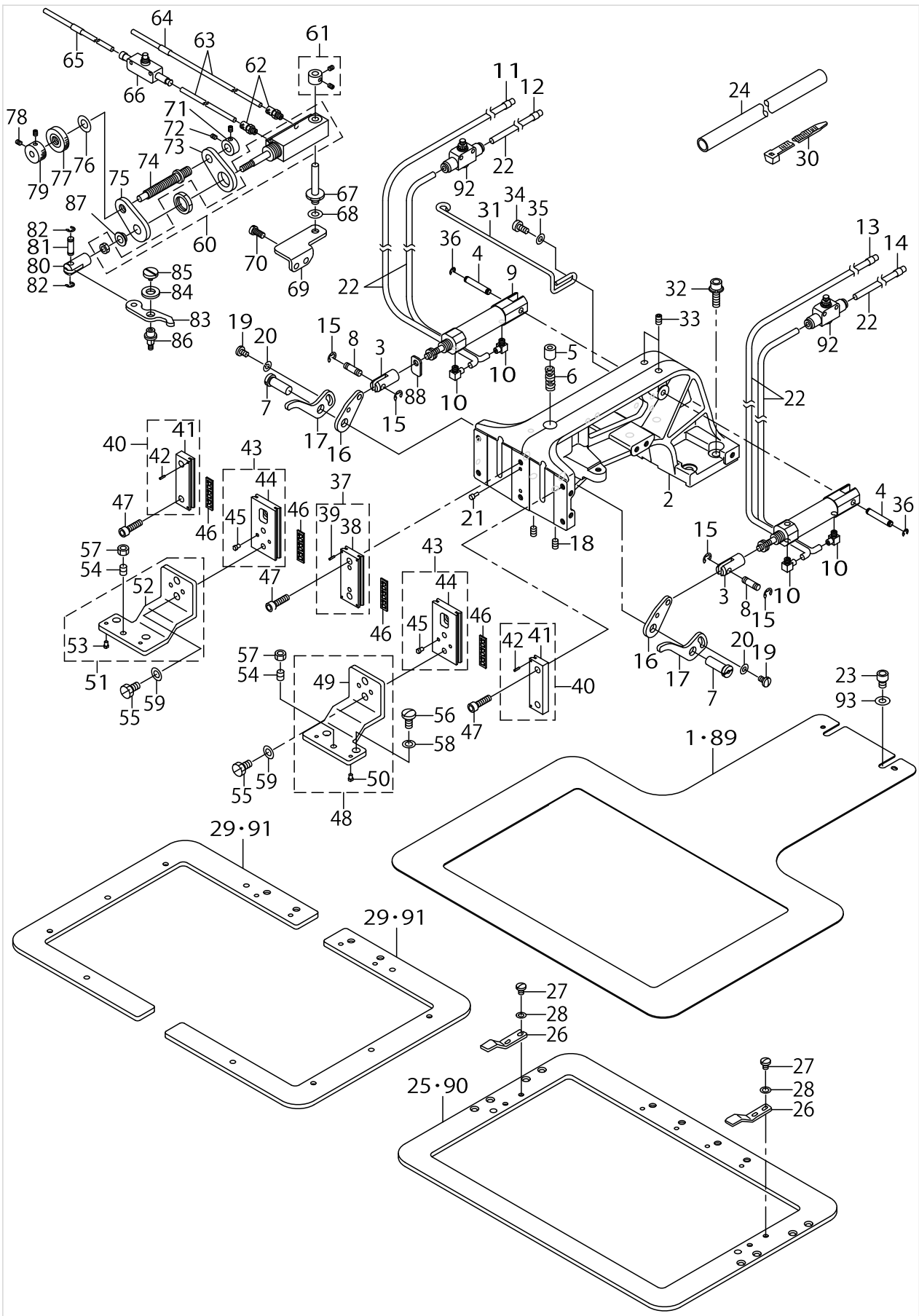
X-Y COMPONENTS



X-Y COMPONENTS

No.	Supply Code	Parts No.	Replacement	Parts name	Remarks	Choice	Step	Level	Cons	Qty	Rep. QTY
93		WP0430800SC		WASHER M4	FOR 215D					1	

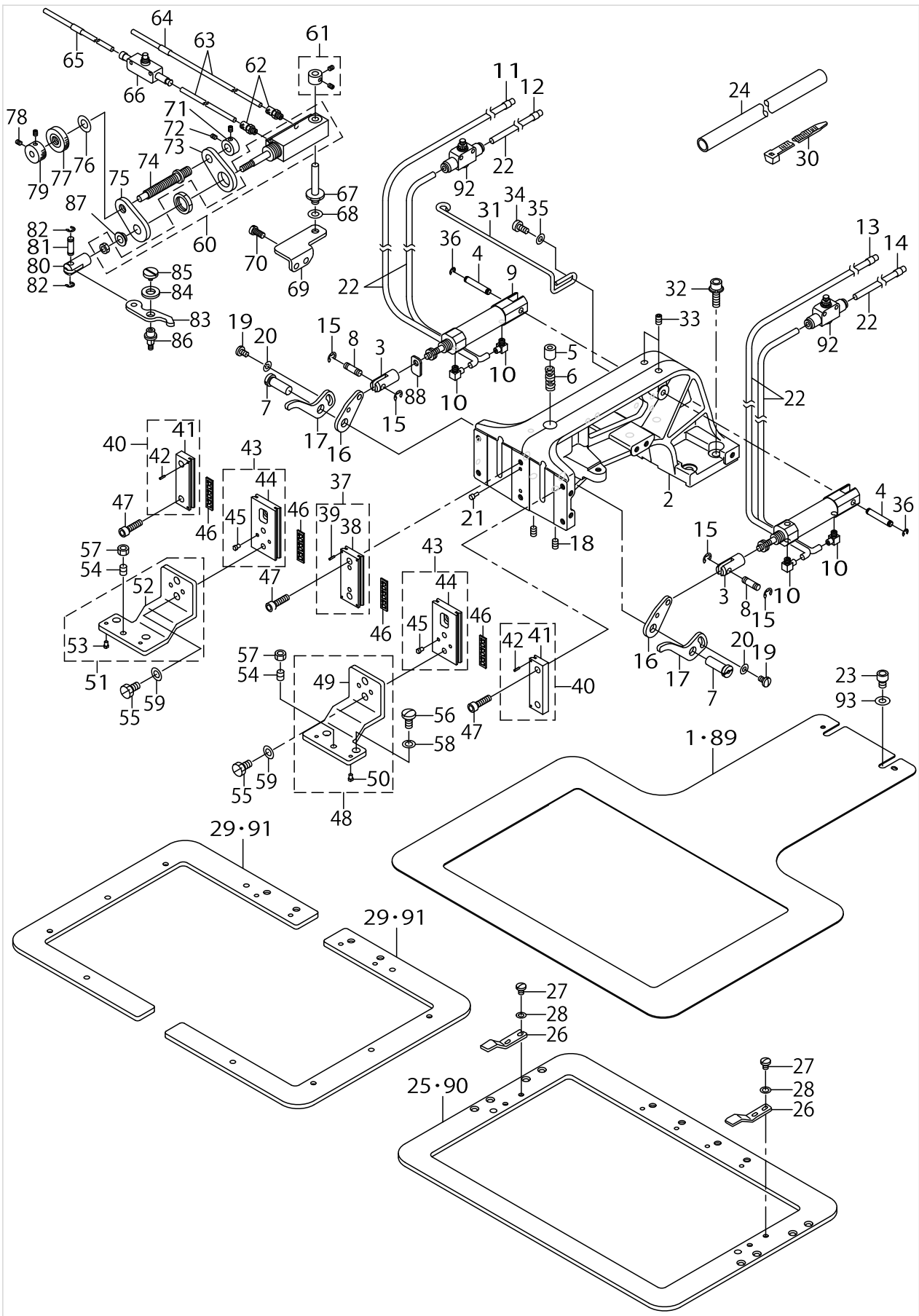
CLOTH FEED MECHANISM COMPONENTS



CLOTH FEED MECHANISM COMPONENTS

No.	Supply Code	Parts No.	Replacement	Parts name	Remarks	Choice	Step	Level	Cons	Qty	Rep. QTY
1	D	B2552221D00		LOWER PLATE	FOR 221D					1	
2		B2550221D00		CLOTH FEED BASE						1	
3		B1625220000		CYLINDER KNUCKLE						2	
4		B1504210000		CONNECTING SHAFT						2	
5	R	B1403372000A	26017707	NEEDLE BAR BUSHING LOWER						1	1.00
6		B2576220000		SLIDER SPRING						1	
7	R	B2509372000A	26023408	FEED STUD						2	1.00
8		B1626220000		CYLINDER PIN						2	
9		PA1602509A0		AIR CYLINDER						2	
10		PJ046052503		HOSE ELBOW						4	
11		B471122000C		AIR TUBE LABEL J03 LEFT						1	
12		B471122000D		AIR TUBE LABEL J04 LEFT						1	
13		B471122000G		AIR TUBE LABEL J03 RIGHT						1	
14		B471122000H		AIR TUBE LABEL J04 RIGHT						1	
15		RE0300000K0		E-RING 3						4	
16		B2570215000		LIFTING LEVER A						2	
17		B2571215000		LIFTING LEVER B						2	
18		SM8050812TP		SCREW M5X8						2	
19		SS7110710SP		SCREW 11/64-40 L=7						2	
20		WP0501016SD		WASHER 5X10.5X1						2	
21		B1816280000		GUIDE PIN						2	
22		BT0400251EB		URETHANE HOSE, BLACK						4.2	
23		SM6060802TP		SCREW M6 L=8						2	
24		HX00364000E		PARTS						.3	
25	D	B2553221000		FEEDING FRAME	FOR 221DSS,DHS					1	
26		B2558220000		PLASTIC BLANK PLATE	FOR 2ΔΔDSS,DHS					2	
27		SS7110510SP		SCREW 11/64-40 L=5	FOR 2ΔΔDSS,DHS					4	
28		WP0450801SD		WASHER 4.5X10X0.8	FOR 2ΔΔDSS,DHS					4	
29		B2606221000		FRAME	FOR 221DSL,DHL					2	
30		HX002330000		CLIP						7	
31		B2568223C00		AIR TUBE SUPPORT						1	
32		SL6062092TN		SCREW M6 L=20						4	
33		SM8050812TP		SCREW M5X8						2	
34		SS6121010SP		SCREW 3/16-28 L=10						2	
35		WP0501016SD		WASHER 5X10.5X1						2	
36		RE0320000K0		E-RING 3.2						2	
37		B26132150A0		WORK CLAMP FOOT PLATE A ASM.						1	
38	R	B2613215000	B26132150A0	WORK CLAMP FOOT PLATE A				*		1	1.00
39		PS0150065KP		SPRING PIN 1.5X6				*		4	
40		B25672150A0		WORK CLAMP FOOT PLATE B ASM.						2	
41	R	B2567215000	B25672150A0	WORK CLAMP FOOT PLATE B				*		1	1.00
42		PS0150065KP		SPRING PIN 1.5X6				*		2	
43		B26112150A0		SLIDE PLATE ASM.						2	
44	R	B2611215000	B26112150A0	WORK CLAMP FOOT SLIDE PLATE				*		1	1.00
45		B1816280000		GUIDE PIN				*		2	

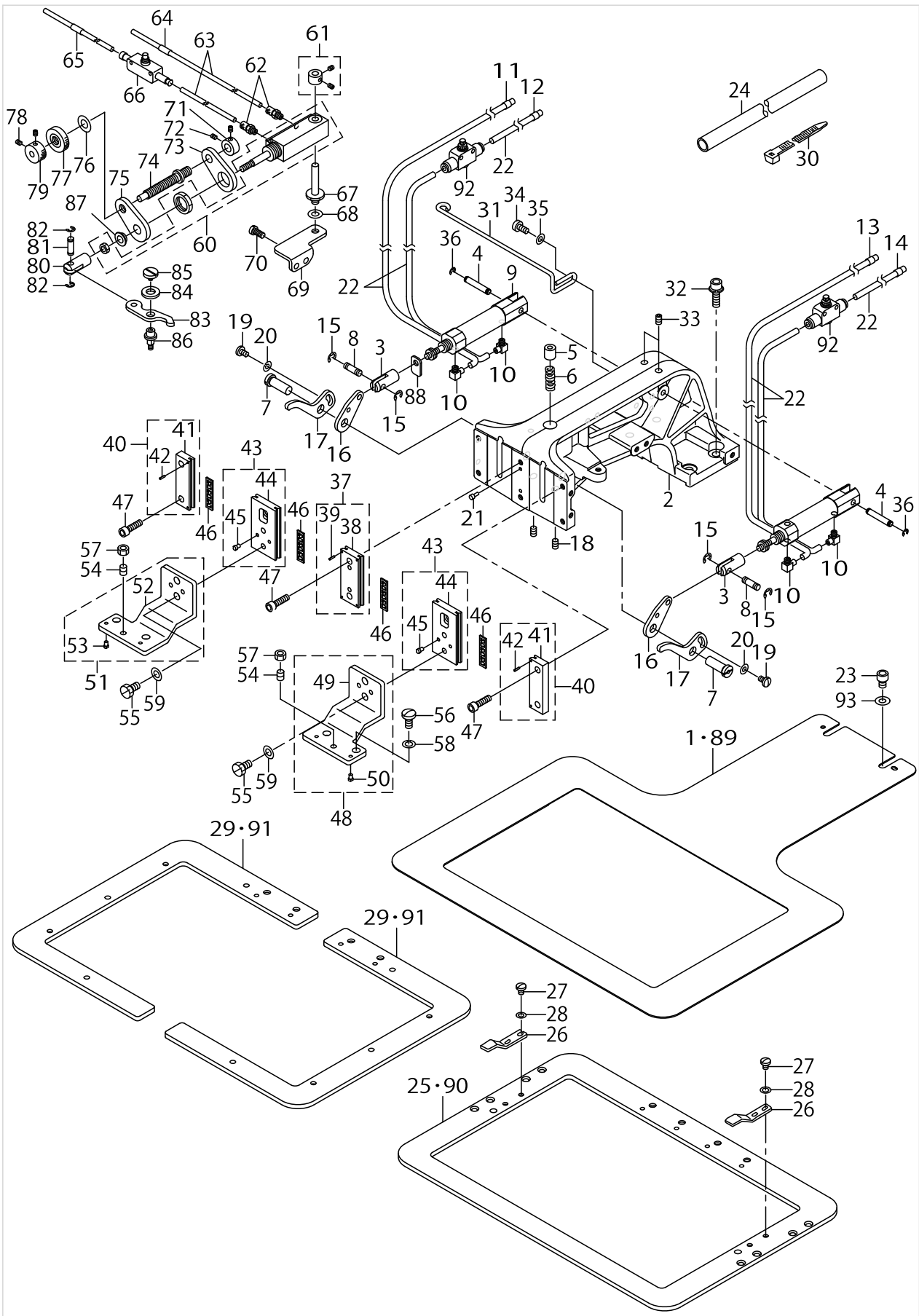
CLOTH FEED MECHANISM COMPONENTS



CLOTH FEED MECHANISM COMPONENTS

No.	Supply Code	Parts No.	Replacement	Parts name	Remarks	Choice	Step	Level	Cons	Qty	Rep. QTY
46		B2513215000		BEARING						4	
47		SM6051802TP		SCREW M5 L=18						6	
48	D	B26042150A0		RECEIVER PLATE,RIGHT ASM.						1	
49	R	B2604215000	B26042150A0	RECEIVER PLATE,RIGHT				*		1	1.00
50		B1816280000		GUIDE PIN				*		2	
51	D	B26052150A0		RECEIVER PLATE,LEFT ASM.						1	
52	R	B2605215000	B26052150A0	RECEIVER PLATE,LEFT				*		1	1.00
53		B1816280000		GUIDE PIN				*		2	
54		SS8150822TP		SCREW 15/64-28 L=8						2	
55		SS9151120CP		SCREW15/64-28L=11						4	
56		SS7150910TP		SCREW 15/64-28 L=9						4	
57		NS6150330SD		NUT 15/64-28						2	
58		WP0651056SD		WASHER 6.5X11X1						4	
59		WP0651056SD		WASHER 6.5X11X1						4	
60		PA1602510A0		AIR CYLINDER	FOR 2ΔΔDSL,DHL					1	
61		B25792290A0		THRUST BEARING	FOR 2ΔΔDSL,DHL					1	
62		PJ032052503		HOSE NIPPLE	FOR 2ΔΔDSL,DHL					2	
63		BT0400251EB		URETHANE HOSE, BLACK	FOR 2ΔΔDSL,DHL					2.1	
64		B471122000E		AIR TUBE LABEL J05	FOR 2ΔΔDSL,DHL					1	
65		B471122000F		AIR TUBE LABEL J06	FOR 2ΔΔDSL,DHL					1	
66		PC012401000		SPEED CONTROLLER	FOR 2ΔΔDSL,DHL					1	
67		B2528215000		SHAFT	FOR 2ΔΔDSL,DHL					1	
68		WP0650876SD		WASHER 6.5X13X0.8	FOR 2ΔΔDSL,DHL					1	
69		B2514215000		INSTALLING PLATE	FOR 2ΔΔDSL,DHL					1	
70		SS6121010SP		SCREW 3/16-28 L=10	FOR 2ΔΔDSL,DHL					2	
71	R	CS0790731SH	CS079073ASH	THRUST COLLAR	FOR 2ΔΔDSL,DHL					1	1.00
72		SS8110422TP		SCREW 11/64-40 L=4	FOR 2ΔΔDSL,DHL					2	
73		B2518215000		BRACKET	FOR 2ΔΔDSL,DHL					1	
74		B2527215000		REGULATION SCREW	FOR 2ΔΔDSL,DHL					1	
75		B2518215A00		REGULATION PLATE	FOR 2ΔΔDSL,DHL					1	
76		WP0820816SD		WASHER 8.2X16X0.8	FOR 2ΔΔDSL,DHL					1	
77		B3012816000		NUT	FOR 2ΔΔDSL,DHL					1	
78		SS8110422TP		SCREW 11/64-40 L=4	FOR 2ΔΔDSL,DHL					2	
79		B2304205000		KNOB	FOR 2ΔΔDSL,DHL					1	
80		B1625220000		CYLINDER KNUCKLE	FOR 2ΔΔDSL,DHL					1	
81		B1626220000		CYLINDER PIN	FOR 2ΔΔDSL,DHL					1	
82		RE0300000K0		E-RING 3	FOR 2ΔΔDSL,DHL					2	
83		B2516215000		LEVER	FOR 2ΔΔDSL,DHL					1	
84		B185351200E		HOOK SHAFT WASHER	FOR 2ΔΔDSL,DHL					1	
85		SS6110520TP		SCREW 11/64-40 L=4.5	FOR 2ΔΔDSL,DHL					1	
86		B3012490000		DRIVING LINK SHAFT	FOR 2ΔΔDSL,DHL					1	
87		B2548215000		BUSHING	FOR 2ΔΔDSL,DHL					1	
88		B2530215000		PRESSER PLATE	FOR 2ΔΔDSL,DHL					1	
89		B2552215D00		LOWER PLATE	FOR 215D					1	
90		B2553215D00		FEEDING FRAME	FOR 215DSS,DHS					1	
91		B2606215D00		FRAME	FOR 215DSL,DHL					2	

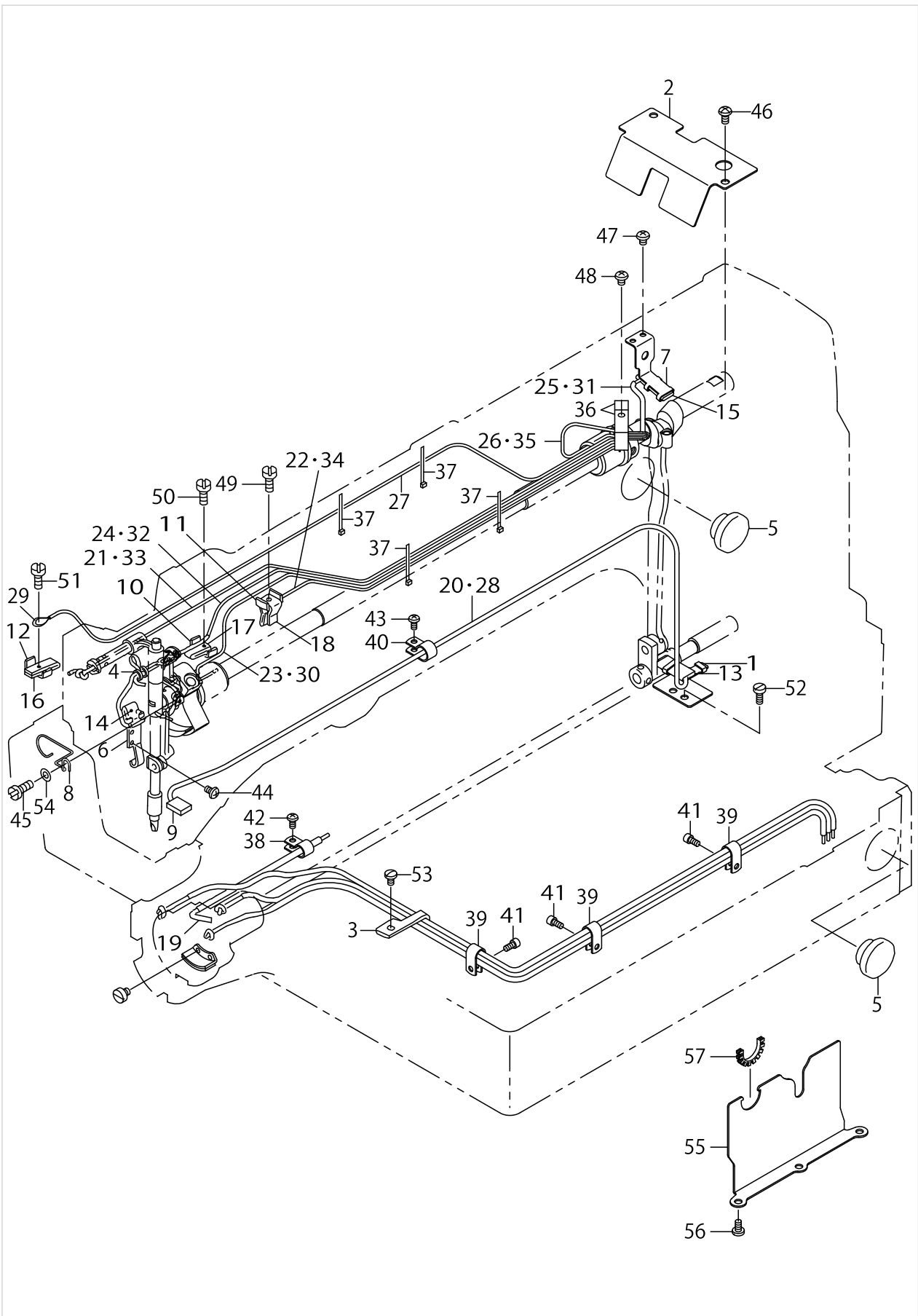
CLOTH FEED MECHANISM COMPONENTS



CLOTH FEED MECHANISM COMPONENTS

No.	Supply Code	Parts No.	Replacement	Parts name	Remarks	Choice	Step	Level	Cons	Qty	Rep. QTY
92		PC012401000		SPEED CONTROLLER						2	
93		WP0611626SP		WASHER 15X6X1.6						2	

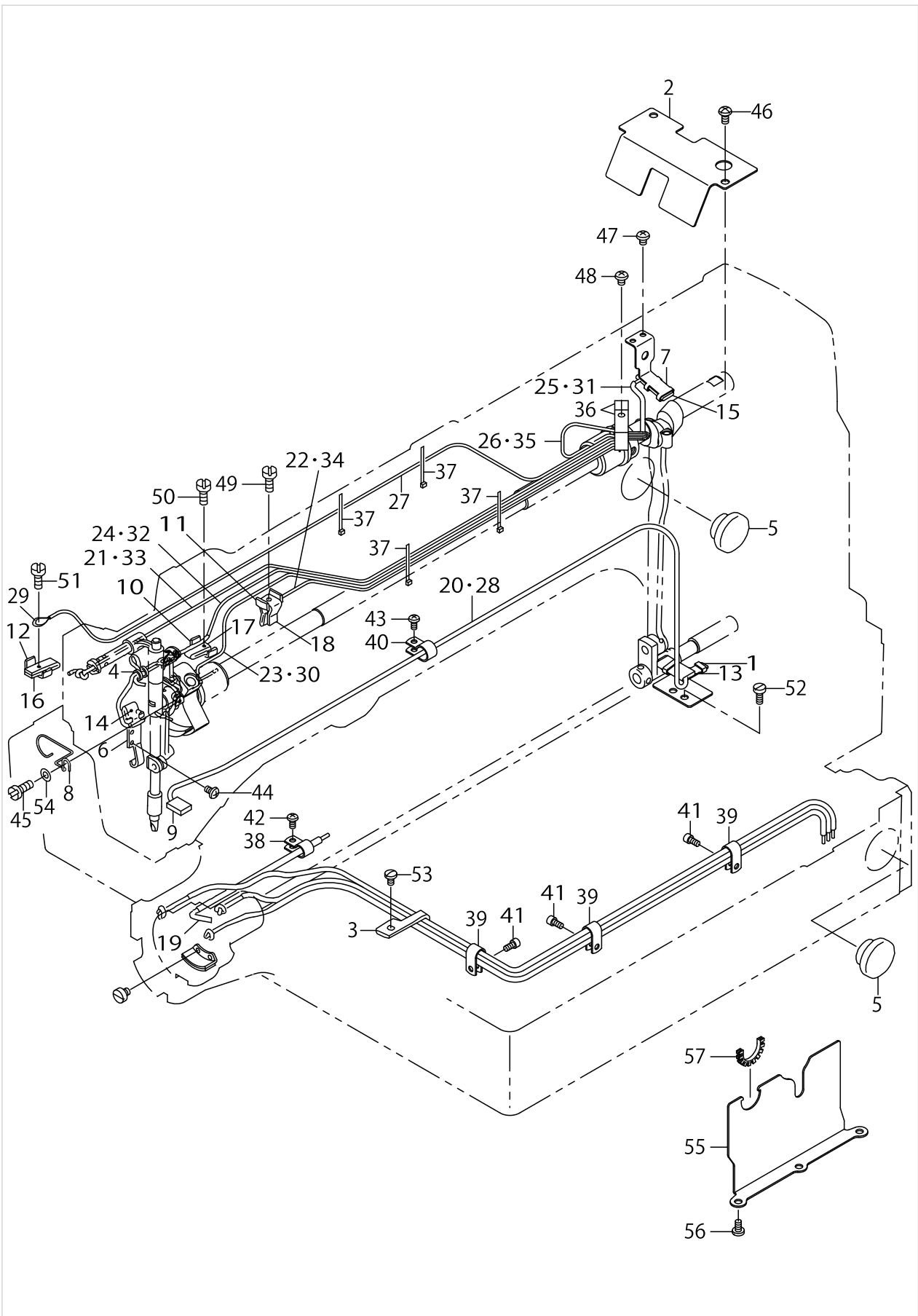
LUBRICATION COMPONENTS



LUBRICATION COMPONENTS

No.	Supply Code	Parts No.	Replacement	Parts name	Remarks	Choice	Step	Level	Cons	Qty	Rep. QTY
1		B3506221D00		LOWER SHAFT LUB- RICATION PLATE						1	
2	D	B3510221D00		MAIN SHAFT OIL PREVENT PLATE						1	
3	R	13530209	26230409	LUBRICATING OIL WICK STOPPER						1	1.00
4	R	B1419026000	26230706	OIL WICK PRESSER						3	1.00
5		B3501210000		OIL GAUGE						2	
6	D	B3502220000		OIL WICK HOLDER						1	
7		B3505210D00		CRANK ROD LUBRICATION PLATE						1	
8		B3507220000		OIL WICK HOLDER						1	
9		B3507280000		OIL FELT						1	
10	R	B3508280000	26231407	BALANCE LUBRICATING PLATE						1	1.00
11	R	B3508280000	26231407	BALANCE LUBRICATING PLATE						1	1.00
12	R	B3508280000	26231407	BALANCE LUBRICATING PLATE						1	1.00
13		B3509210D00		OIL FELT						1	
14		B3509220000		OIL SPONGE						1	
15		B3509280000		NEEDLE ROD CRANK LUBRICATING						1	
16		B3518280000		BALANCE LUBRICATING						1	
17		B3518280000		BALANCE LUBRICATING						1	
18	D	B3520220000		OIL SPONGE						1	
19		B35222200A0		OIL FELT ASM.						1	
20		B3523220000		OIL FELT						1	
21		BP300000000		VINYL PIPE						.42	
22		BP300000000		VINYL PIPE						.38	
23		BP300000000		VINYL PIPE						.44	
24		BP300000000		VINYL PIPE						.41	
25		BP300000000		VINYL PIPE						.24	
26		BP300000000		VINYL PIPE						.12	
27		BP300000000		VINYL PIPE						.5	
28		BP600000000		VINYL PIPE						.6	
29		CQ200000000		OIL WICK						1.7	
30		CQ200000000		OIL WICK						1.6	
31		CQ200000000		OIL WICK						.66	
32		CQ202000000		OIL WICK						1.35	
33		CQ252200000		OIL WICK						.8	
34		CQ252200000		OIL WICK						.65	
35		CQ252200000		OIL WICK						.35	
36		D2112555B00		CORD HOLDER, LARGE						2	
37		EA9500B0100		CABLE BAND						4	
38		HX00150000C		CABLE CLIP						1	
39		HX00150000D		CABLE CLIP						3	
40		HX00150000D		CABLE CLIP						1	
41		SM6040802TP		SCREW M4X0.7 L=8						3	
42		SL4040891SC		SCREW M4 L=8						1	
43		SL4040891SC		SCREW M4 L=8						1	
44		SS4110715SP		SCREW 11/64-40 L=7						2	
45		SS4110715SP		SCREW 11/64-40 L=7						1	

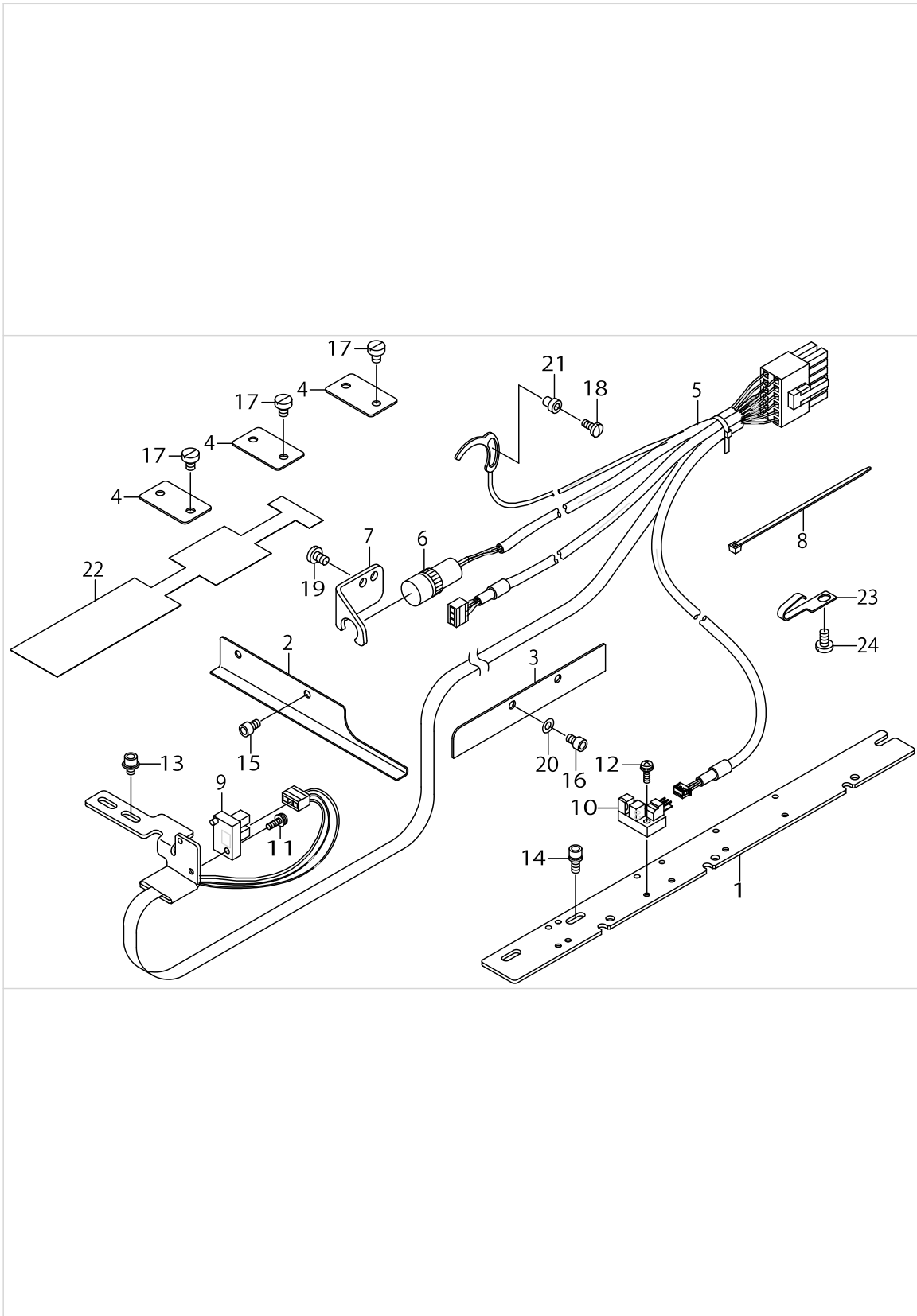
LUBRICATION COMPONENTS



LUBRICATION COMPONENTS

No.	Supply Code	Parts No.	Replacement	Parts name	Remarks	Choice	Step	Level	Cons	Qty	Rep. QTY
46		SS4120615SP		SCREW 3/16-28 L=6						2	
47		SS4120615SP		SCREW 3/16-28 L=6						2	
48		SS4120915SP		SCREW 3/16-28 L=9						1	
49		SS6092120SP		SCREW 9/64-40 L=21.2						1	
50		SS6092120SP		SCREW 9/64-40 L=21.2						1	
51		SS6092120SP		SCREW 9/64-40 L=21.2						1	
52		SS6111140SP		SCREW 11/64-40 L=11						2	
53		SS7110710SP		SCREW 11/64-40 L=7						1	
54		WP0450000SD		WASHER 4.5X8X0.5						1	
55		B3511221D00		BED OIL PREVENT PLATE						1	
56		SS7110840SP		SCREW 11/64-40 L=7.8						3	
57		HX002230000		ADJUSTABLE BUSH						.04	

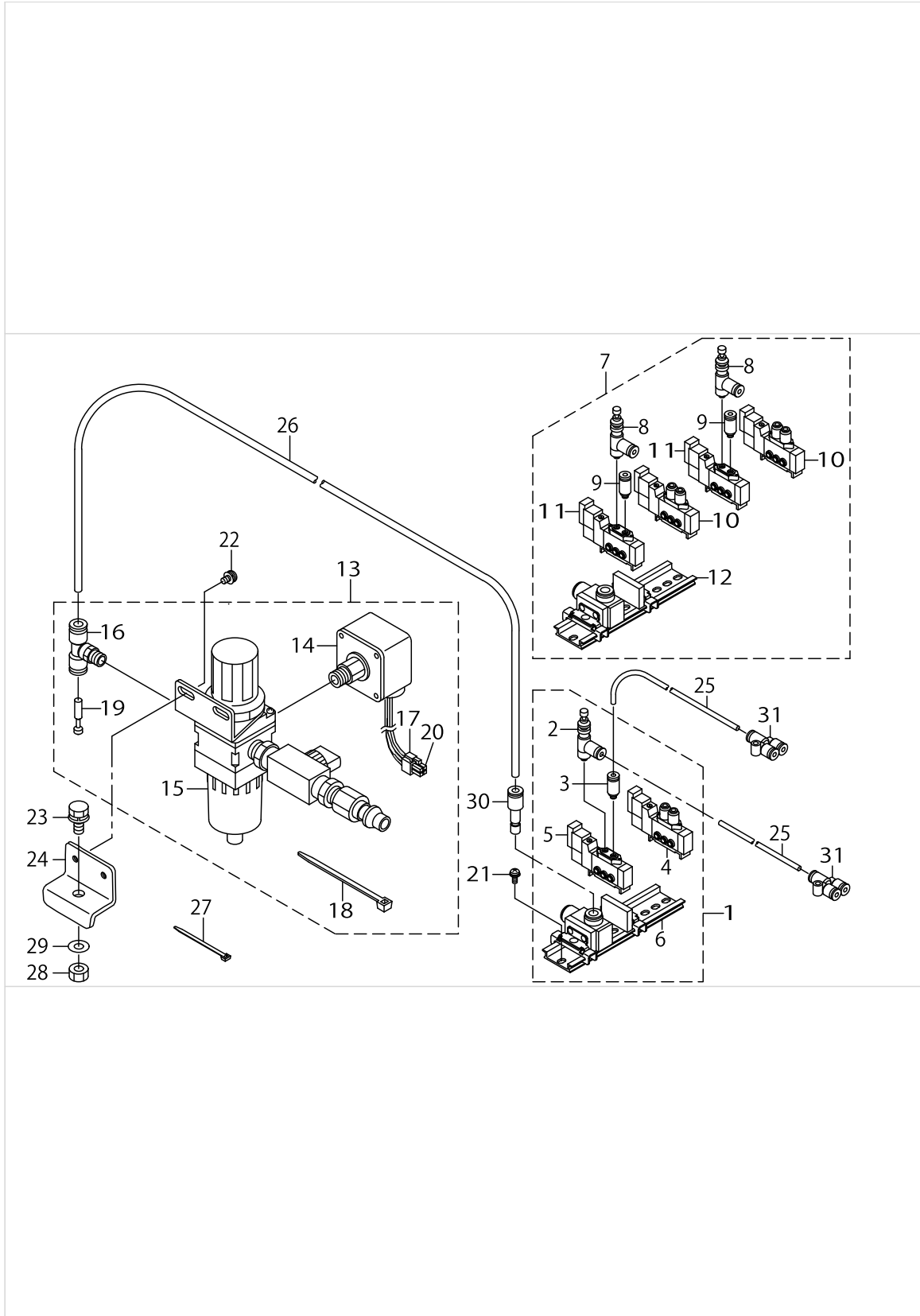
SENSOR COMPONENTS



SENSOR COMPONENTS

No.	Supply Code	Parts No.	Replacement	Parts name	Remarks	Choice	Step	Level	Cons	Qty	Rep. QTY
1		B4005221D00		Y SENSOR INSTALLING PLATE						1	
2	D	B4007221D00		X SLIT PLATE						1	
3		B4008221D00		Y SLIT PLATE						1	
4		B4022221D00		FLAT CABLE CLAMP						3	
5	R	B4130221DA0A	HD002230000	FRAME SENSOR CABLE ASM.		A				1	1.00
5	R	B4130221DA0A	B4130221DA0B	FRAME SENSOR CABLE ASM.		A				1	1.00
6		HA004580000		PUSH SWITCH						1	
7		B4110210D00A		STOP SWITCH INSTALLING PLATE						1	
8		EA9500B0100		CABLE BAND						2	
9		HD000570000		SENSOR						1	
10		HD00057000A		PHOTO SENSOR						1	
11		SL4031091SC		SCREW M3 X 10						1	
12		SL4031091SC		SCREW M3 X 10						1	
13		SL6040892TN		BOLT						2	
14		SL6040892TN		BOLT						2	
15		SM6040602TP		SCREW M4 L=6						2	
16		SM6040602TP		SCREW M4 L=6						2	
17		SS6110610TP		SCREW 11/64-40 L=6						6	
18		SS7090850SP		SCREW 9/64-40 L=8						1	
19		SS7110710SP		SCREW 11/64-40 L=7						2	
20		WP0430800SD		WASHER M4						2	
21		B2703210000		BUSHING						1	
22		B4120221D00		X CABLE GUARD						1	
23	R	13530209	26230409	LUBRICATING OIL WICK STOPPER						1	1.00
24		SS7110840SP		SCREW 11/64-40 L=7.8						1	

PNEUMATIC COMPONENTS



PNEUMATIC COMPONENTS

No.	Supply Code	Parts No.	Replacement	Parts name	Remarks	Choice	Step	Level	Cons	Qty	Rep. QTY
1		B4701221DA0		SOLENOID VALVE A ASM.	FOR 2ΔΔDSS,DHS					1	
2		PF070501000		PRESSURE DECREASING VALVE				*		1	
3		PJ301040505		HALF UNION				*		1	
4		PV150209000		5 PORT SOLENOID VALVE				*		1	
5		PV150209100		SOLENOID VALVE				*		1	
6		PV915005000		SOLENOID VALVE I- NSTALLING BASE				*		1	
7		B4702221DA0		SOLENOID VALVE B ASM.	FOR 2ΔΔDSL,DHL					1	
8		PF070501000		PRESSURE DECREASING VALVE				*		2	
9		PJ301040505		HALF UNION				*		2	
10		PV150209000		5 PORT SOLENOID VALVE				*		2	
11		PV150209100		SOLENOID VALVE				*		2	
12		PV915005000		SOLENOID VALVE I- NSTALLING BASE				*		1	
13		B47152150A0		FILTER REGULATOR ASM.						1	
14	R	G8124270000	G85048750A0	AIRPRESSUESWITCH		A	AVP-875	*		1	1.00
14	R	G8124270000	40030951	AIRPRESSUESWITCH		B	AMS-210E- N,AMS-221EN	*		1	1.00
14	R	G8124270000	B47152150A0	AIRPRESSUESWITCH		C	MEB-3200,- LK-1910/2- 0/30/41,AMS-224E	*		1	1.00
15		PF0552040B0		FILTER REGULATOR				*		1	
16		PJ305065202		TEE				*		1	
17		HK034610040		HOUSING				*		1	
18		EA9500B0100		CABLE BAND				*		5	
19		PX950009000		PLUG				*		1	
20		HK034640000		PIN CONTACT				*		3	
21		SL4040891SC		SCREW M4 L=8						2	
22		SL4051091SC		SCREW M5X0.8 L=10						2	
23		SL9082093SE		SCREW						1	
24	R	B8211206000	40023662	FILTER INSTALLING PLATE						1	1.00
25		BT0400251EB		URETHANE HOSE, BLACK	FOR 2ΔΔDSS,DHS					.5	
26		BT0600401EB		TUBE						1.5	
27		HX002330000		CLIP						7	
28		NM6080721SE		NUT M8						1	
29		WP0871602SE		WASHER 8.7X18X1.6						1	
30		PJ301060003		REDUCER						1	
31		PJ308040002		QUICK COUPLING	FOR 2ΔΔDSS,DHS					2	

TABLE COMPONENTS

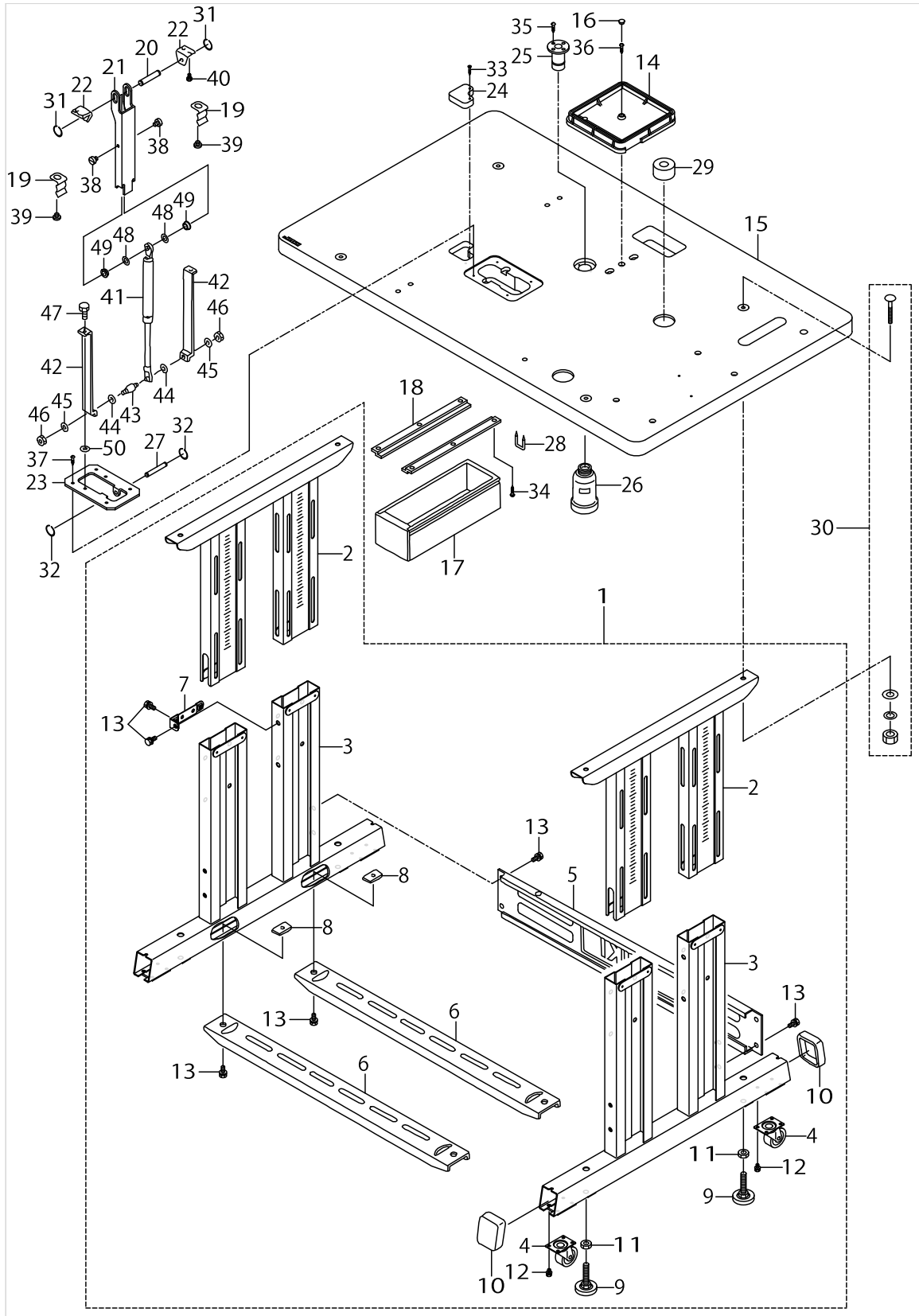


TABLE COMPONENTS

No.	Supply Code	Parts No.	Replacement	Parts name	Remarks	Choice	Step	Level	Cons	Qty	Rep. QTY
1	D R	B8101221DA0	B8101221DB0	STAND ASM.		A				1	1.00
1	D R	B8101221DA0	B8110373N00	STAND ASM.		A				1	4.00
1	D R	B8101221DA0	B8150221D00	STAND ASM.		A				1	4.00
2		B8102221DA0		UPPER STAND COMPL.				*		2	
3		B8103221DA0		STAND COMPL.				*		2	
4		B8150221D00		CASTER				*		4	
5	D	11158300		STAND SIDE SUPPORT				*		1	
6		11158409		STAND SIDE SUPPORT				*		2	
7		11158516		UPPER STAND PLATE				*		4	
8		17007402		NUT				*		4	
9		17833658		ADJUSTING BOLT ASM.				*		4	
10		B8110373N00		CAP				*		4	
11		NM6120003SE		NUT M12				*		4	
12		SL9061293SE		WASHER HEXAGONAL BOLT				*		16	
13		SL9082093SE		SCREW				*		20	
14		B8110221D00		OIL RESERVOIR						1	
15	D	B8201221D00		TABLE						1	
16		TA1050504R0		RUBBER PLUG						1	
17	R	11155108	11155157	DRAWER						1	1.00
18		11155207		DRAWER SUPPORT						2	
19		13502109		BED COVER B SPRING						2	
20	R	13518105	26223701	LIFTING LEVER SHAFT						1	1.00
21		B8115215000		FRAME BRACKET BAR						1	
22		B8162220000		LIFTER BRACKET B						2	
23		B8168215000		BRACKET BASE						1	
24		B8171223C00		RUBBER ABSORBER						1	
25		B8202205000		OIL MANAGEMENT						1	
26		B9121012000		OIL CAN						1	
27		D2502232D00		SHAFT BLOCK SHAFT						1	
28		D8204555D00		DRAWER STOPPER						1	
29		G5151171000		CUSHION						2	
30		MTJMS00000S		SCREW SET						4	
31		RE0700000K0		E-RING 7						2	
32		RE0700000K0		E-RING 7						2	
33		SK1382501SE		WOOD SCREW D=3.8 L=25						1	
34	R	SK3311600SC	SK3311601SE	WOOD SCREW D=3.1 L=16						6	1.00
35	R	SK3311600SC	SK3311601SE	WOOD SCREW D=3.1 L=16						2	1.00
36		SK3311601SE		WOOD SCREW D=3.1 L=16						1	
37		SK3452500SC		WOOD SCREW D=4.5 L=25						4	
38		SS6110510SP		SCREW 11/64-40 L=5						2	
39		SS7110410SP		SCREW 11/64-40 L=4						2	
40		SS9151120CP		SCREW 15/64-28 L=11						4	
41		B8160229000		GAS SPRING						1	
42		B8161220000		LIFTER BRACKET A						2	
43		B8163220000		LIFTER PIVOT PIN						1	
44		WP0841600SE		WASHER 8,4X15,5X1,6						2	

TABLE COMPONENTS

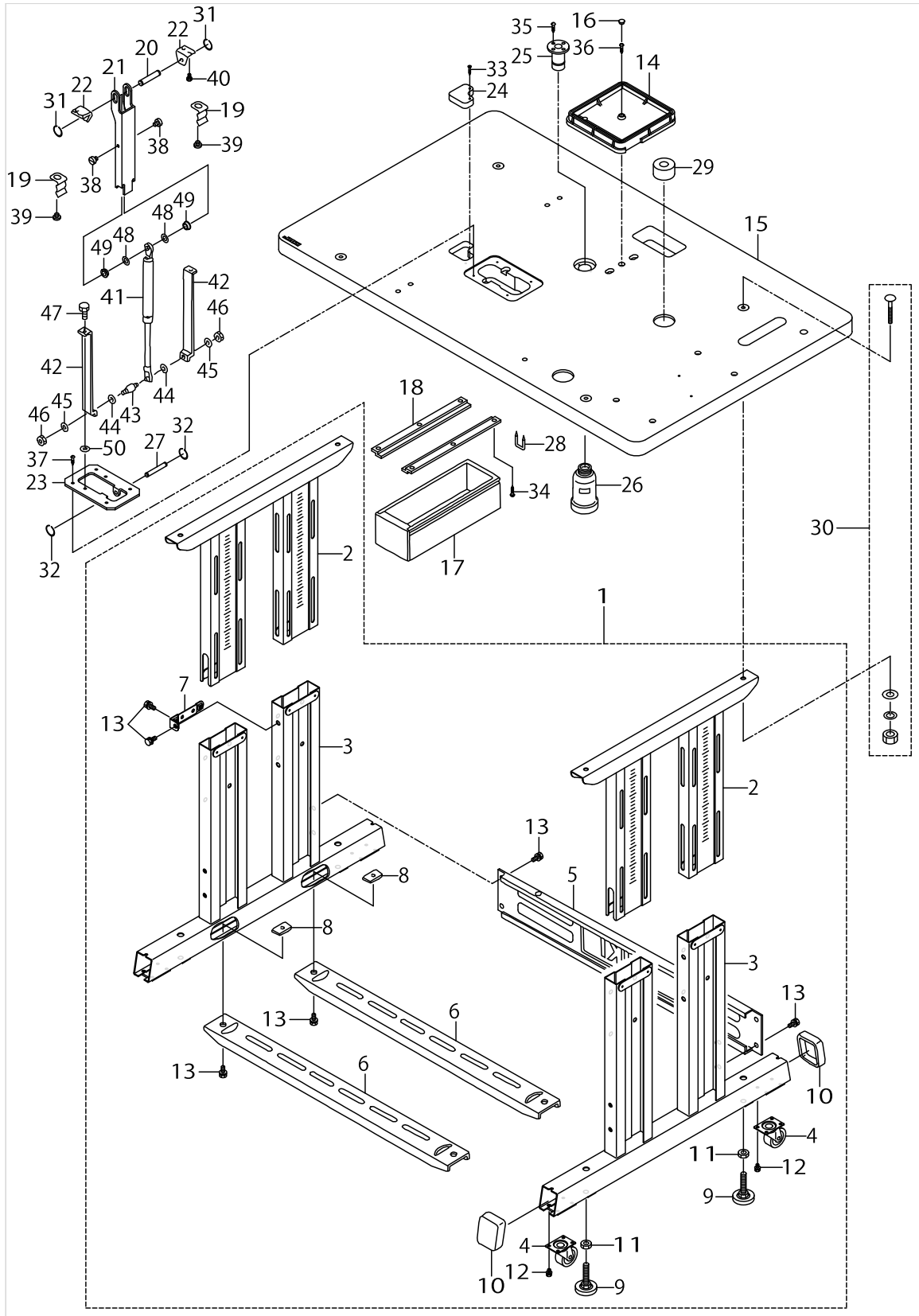
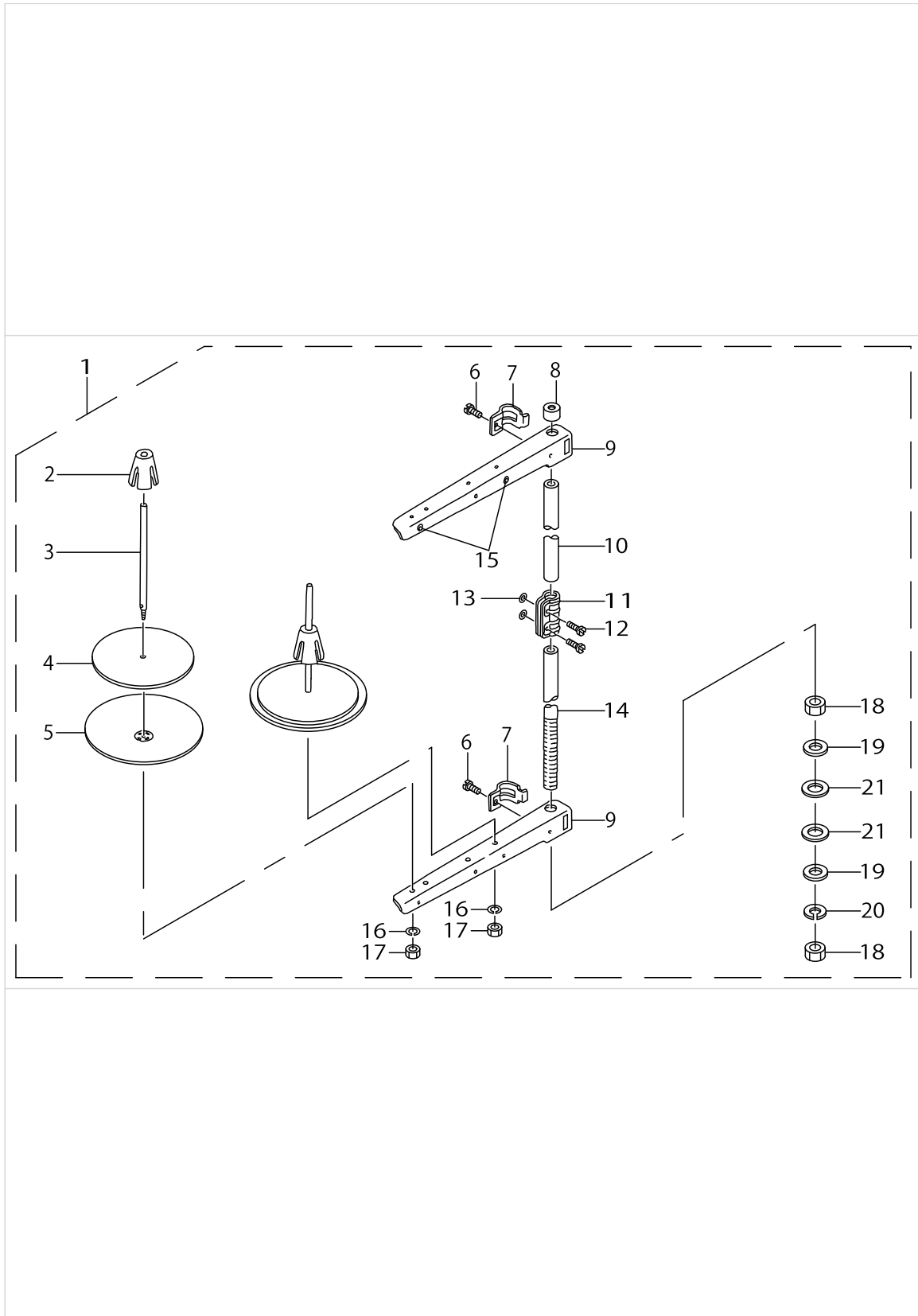


TABLE COMPONENTS

No.	Supply Code	Parts No.	Replacement	Parts name	Remarks	Choice	Step	Level	Cons	Qty	Rep. QTY
45		WP0641601SC		WASHER						2	
46		NM6060002SE		NUT M6						2	
47	D	SM9061403SC		SCREW M6 L=14						2	
48		WP0820816SD		WASHER 8.2X16X0.8						2	
49		11023603		BELTCOVERCOLLAR						2	
50		WP0704016SP		WASHER 7X20X4						2	

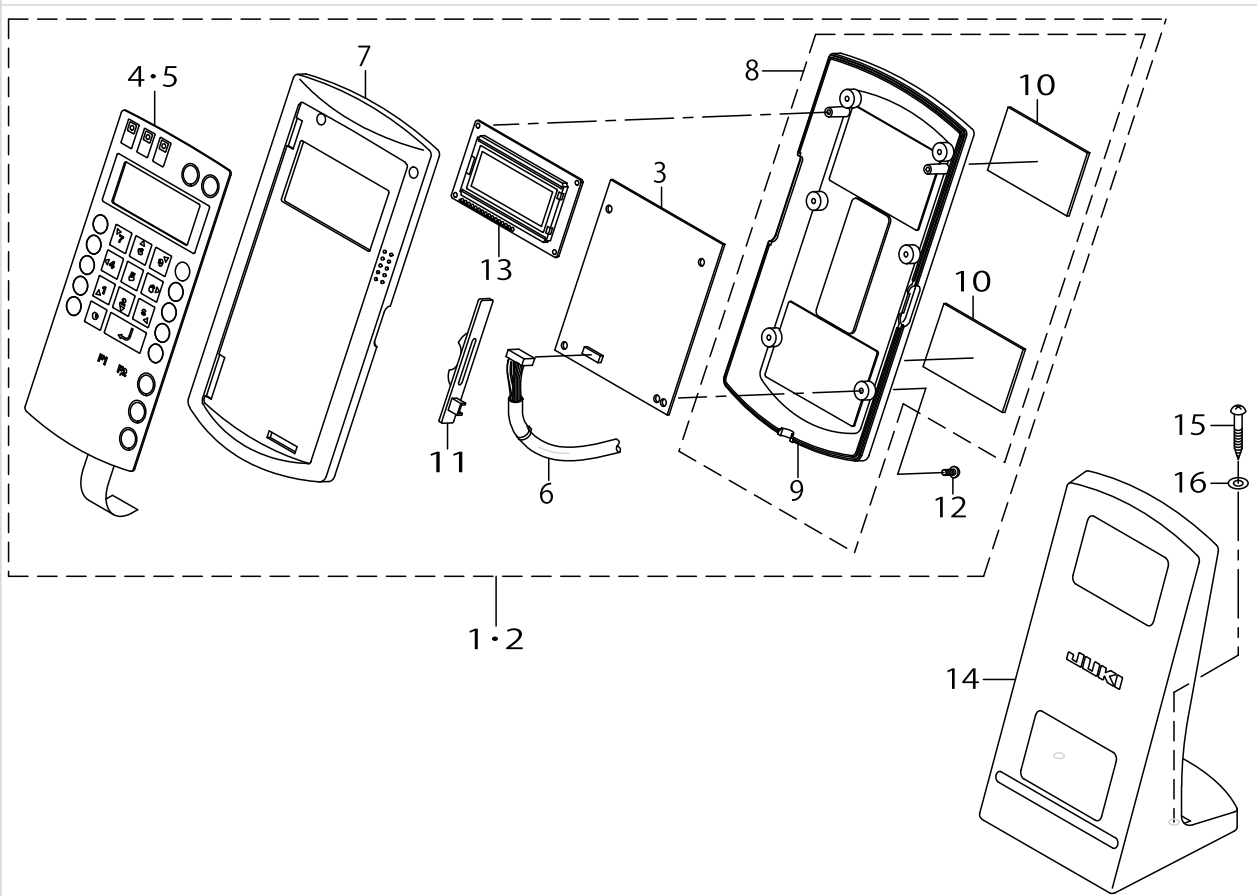
THREAD STAND COMPONENTS



THREAD STAND COMPONENTS

No.	Supply Code	Parts No.	Replacement	Parts name	Remarks	Choice	Step	Level	Cons	Qty	Rep. QTY
1	R	22930358	40096354	THREAD STAND ASM.						1	1.00
2	R	22931109	40085791	SPOOL RETAINER				*		2	1.00
3	R	22931000	40085790	SPOOL PIN				*		2	1.00
4		22930903		SPOOL REST CUSHION				*		2	
5		22930804		SPOOL REST				*		2	
6		SM6061610SC		SCREW M6 L=16				*		2	
7	R	22930705	40096354	THREAD GUIDE ARM JOINT				*		2	1.00
8		22931406		SPOOL REST ROD RUBBER CAP				*		1	
9	R	22930507	40096354	SPOOL REST ARM				*		2	1.00
10	R	22930408	40096354	SPOOL REST ROD, UPPER				*		1	1.00
11	R	22931307	40096354	SPOOL REST ROD JOINT				*		1	1.00
12		SM4051405SE		SCREW M5 L=14				*		2	
13		NM6050001SE		NUT M5				*		2	
14	R	22930309	40096354	SPOOL REST ROD, LOWER				*		1	1.00
15		22931208		THREAD GUIDE				*		2	
16		WS0510002KN		SPRING WASHER				*		2	
17		NM6050001SE		NUT M5				*		2	
18		NM6160511SE		NUT M16X1.5				*		2	
19		WP1702600S0		WASHER 17X30X2.6				*		2	
20	R	WS1643202KR	WP1612616SE	SPRING WASHER		A		*		1	2.00
20	R	WS1643202KR	40085796	SPRING WASHER		A		*		1	2.00
21		22931505		RUBBER WASHER				*		2	

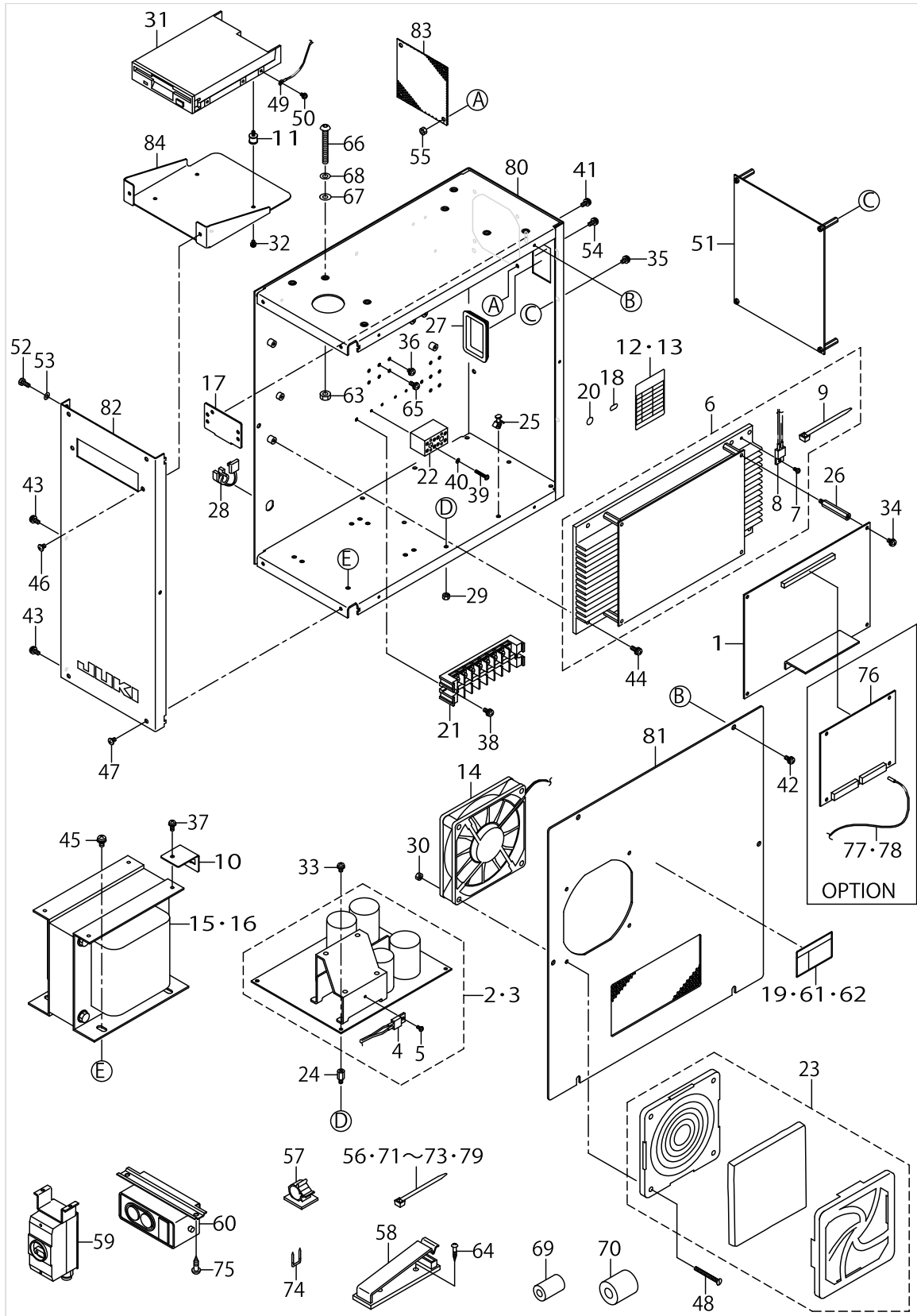
OPERATION BOX COMPONENTS



OPERATION BOX COMPONENTS

No.	Supply Code	Parts No.	Replacement	Parts name	Remarks	Choice	Step	Level	Cons	Qty	Rep. QTY
1		M8510580AA0		OPERATION BOX J ASM.	FOR JAPAN					1	
2		M8510580BA0		OPERATION BOX E ASM.	FOR EXPORT					1	
3		M86065800A0		OPERATION CIRCUIT BOARD ASM.				*		1	
4	R	M300558000A	M300558000AA	OPERATION PANEL SHEET(JAPAN)	FOR JAPAN			*		1	1.00
5	R	M300558000B	M300558000BA	OPERATION PANEL SHEET(ENGLISH)	FOR EXPORT	A		*		1	1.00
5	R	M300558000B	M1030580000A	OPERATION PANEL SHEET(ENGLISH)	FOR EXPORT	A		*		1	1.00
6		M90125800A0		PANEL SIGNAL CORD ASM.				*		1	
7	R	M1030580000	M1030580000A	OPERATION BOX UPPER CASE				*		1	1.00
8		M10315800A0		OPERATION BOX L-LOWER CASE ASM.				*		1	
9		M1031580000		OPERATION BOX LOWER CASE				*		1	
10		M1011580000		MAGNET SHEET				*		2	
11		M1032580000		VOLUME TONGUE				*		1	
12		ST4031051SN		TAPPING SCREW D=3-24 L=10				*		6	
13		M85415800A0		LCD ASM.				*		1	
14	R	M10175800A0	40035024	OPERATION BOX FI-XED PLATE ASM.						1	1.00
15		SK3413201SE		WOOD SCREW D=4.1 L=32						2	
16		WP0501016SC		WASHER 5X10.5X1						2	

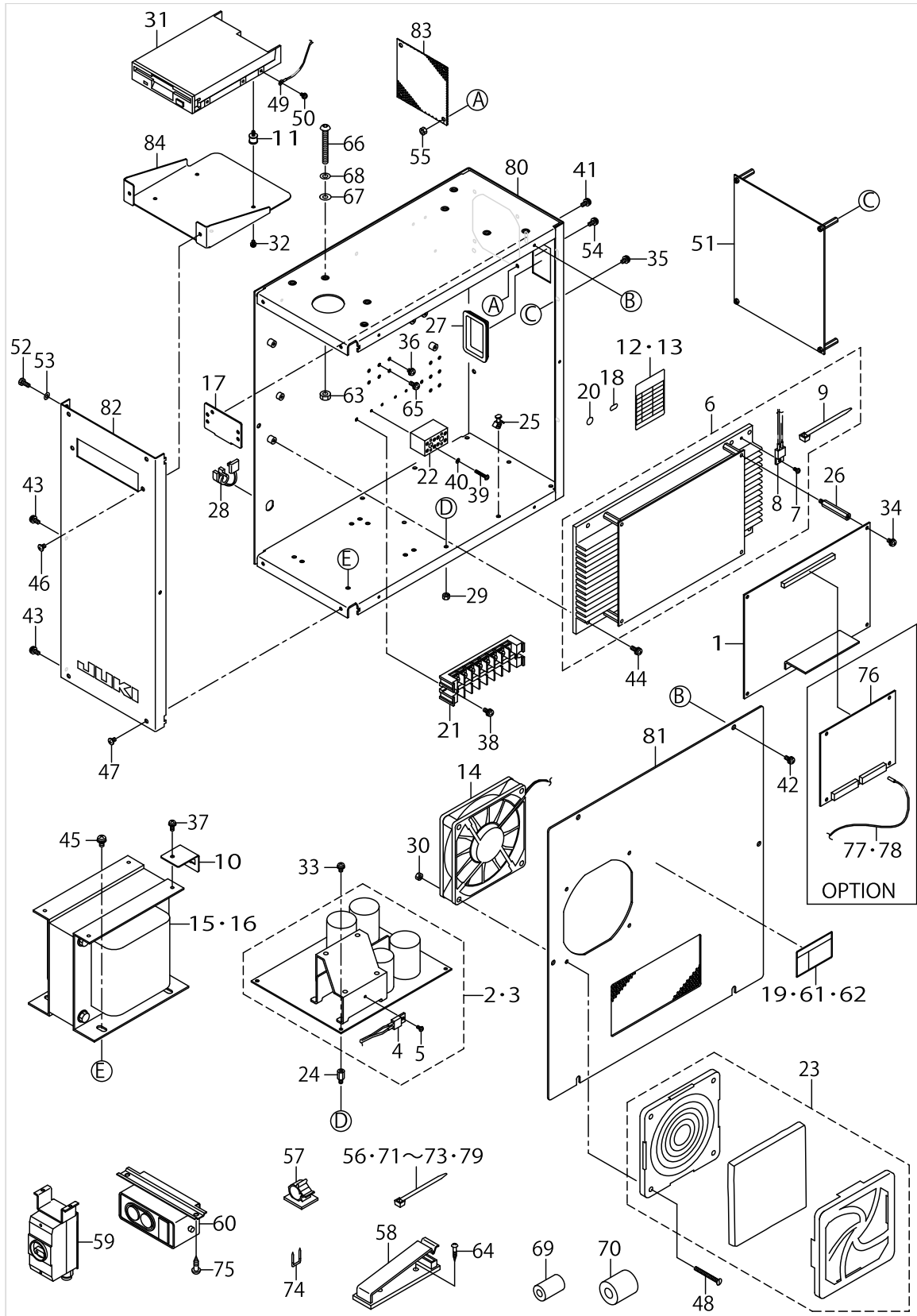
CONTROL BOX COMPONENTS



CONTROL BOX COMPONENTS

No.	Supply Code	Parts No.	Replacement	Parts name	Remarks	Choice	Step	Level	Cons	Qty	Rep. QTY
1	R	M8601580CA0	40043119	MAIN CIRCUIT BOARD C ASM.						1	1.00
2	R	M86045920B0	M86045900E0	POWER CIRCUIT BOARD ASM.	FOR 100~200V					1	1.00
3	R	M8604592AB0	M8604590AE0	POWER CIRCUIT BOARD A ASM.	FOR 380V					1	1.00
4		M9012581AA0		THERMAL SWITCH				*		1	
5		SL4030681SF		SCREW M3 L=6				*		1	
6	R	M86055810A0	M86065810A0	PMDC CIRCUIT BOARD ASM.						1	1.00
7		SL4030681SF		SCREW M3 L=6				*		1	
8		M90125810A0		THERMAL SWITCH				*		1	
9		EA9500B0100		CABLE BAND				*		1	
10		M1014580000		CONNECTOR HOLDER PLATE						1	
11		M2001580000		FDD VIBROISOLATING RUBBER						4	
12		M300551100A		SEAL A	FOR 100~200V					1	
13		M300258000B		SEAL B	FOR 380V					1	
14		M85105810A0		FAN ASM.						1	
15	D	M8901581AA0		TRANSFORMER A ASM.	FOR 100~200V					1	
16		M8901580BA0A		TRANSFORMER B ASM.	FOR 380V					1	
17		17845009		CORDFITTINGPLATE						1	
18		CM200100001		PE MARK LABEL	FOR 380V					1	
19		CM300100001		LABEL	FOR 380V					1	
20		E9567319000		EARTH MARK						2	
21		HK026650080		TERMINAL BASE 8P	FOR 100~200V					1	
22		HK054250040		TERMINAL BASE	FOR 380V					2	
23		HM000630010		FILTER						1	
24		HX00056000B		SPACER						4	
25		HX00147000C		SPACER						4	
26		HX00339000D		SPACER						4	
27		HX004070000		BUSH						1	
28		HX004100000		BUSH						1	
29		NM3034000SF		FLANGE NUT						4	
30		NM3040520SF		FLANGE NUT M4						4	
31	D	S9622710000		MICRO FLOPPY DISC DEVICE						1	
32		SL4030681SF		SCREW M3 L=6						4	
33		SL4030681SF		SCREW M3 L=6						4	
34		SL4040881SF		SCREW M4 L=8						4	
35		SL4030891SC		SCREW M3X8						4	
36		SL4040681SC		COMBINATION SCREW M4 X 8						3	
37		SL4041081SF		SCREW M4 L=10						1	
38		SL4041081SF		SCREW M4 L=10	FOR 100~200V					2	
39		SM4031851SR		SCREW	FOR 380V					4	
40		WS0310702KS		SPRING WASHER	FOR 380V					4	
41		SL4041091SC		SCREW M4 L=10						2	
42		SL4041091SC		SCREW M4 L=10						6	
43		SL4041091SC		SCREW M4 L=10						2	
44		SL4041281SF		SCREW M4 L=12						4	
45	D	SL4051081SF		SCREW M5 L=10						4	
46		SM0040601SC		SCREW M4X0.7 L=6						2	

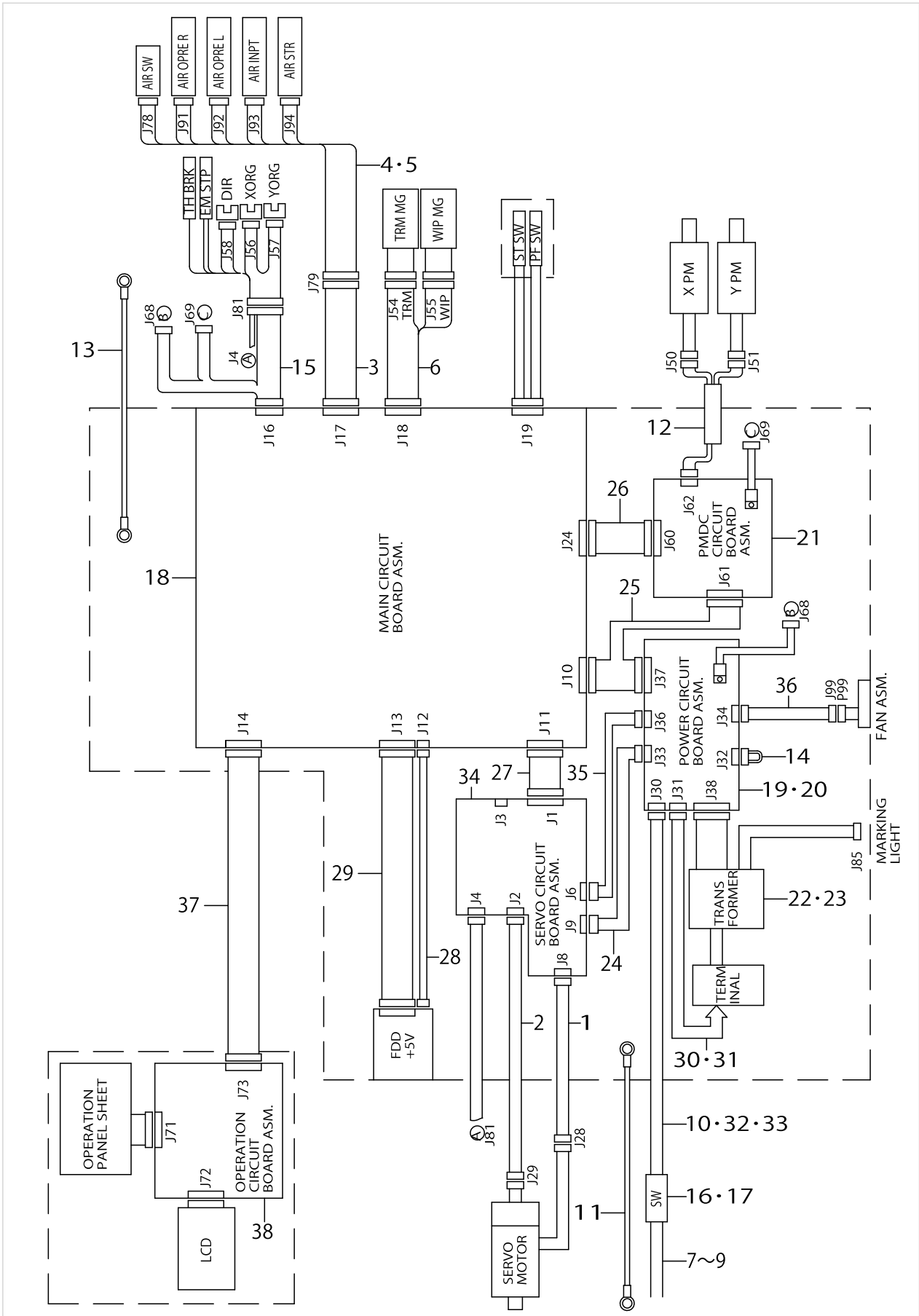
CONTROL BOX COMPONENTS



CONTROL BOX COMPONENTS

No.	Supply Code	Parts No.	Replacement	Parts name	Remarks	Choice	Step	Level	Cons	Qty	Rep. QTY
47		SM0040601SC		SCREW M4X0.7 L=6						4	
48		SM1044050SM		SCREW M4X0.7 L=40						4	
49		M90295800A0		FDD EARTH CORD ASM.						1	
50		SL4030681SF		SCREW M3 L=6						1	
51	R	M8602590BA0	M86115800A0	SERVO CIRCUIT BOARD B ASM.						1	1.00
52		SM9041050SC		SCREW M4X0.7 L=10						1	
53		WP0430800SC		WASHER M4						1	
54		SL4041091SC		SCREW M4 L=10						4	
55		NM3040520SF		FLANGE NUT M4						4	
56		EA9500B0100		CABLE BAND						1	
57		E9607603000		STICKER (SMALL)						1	
58		M964051000A		CABLE CLIP						2	
59	R	HA00303000A	M85065220A0	SWITCH	FOR 380V 3-PHASE					1	1.00
60		HA004250000		SWITCH						1	
61		CM300100101		DANGER LABEL (SMALL)	FOR 100~ 200V(JAPAN)					1	
62		G6705152U0A		LABEL	FOR 100~ 200V(EXPORT)					1	
63		NM6060001SC		NUT M6						4	
64		SK3382001SE		SCREW D=3.8 L=20						4	
65		SL4041091SC		SCREW M4 L=10						2	
66		SM3065052TC		SCREW						4	
67		WP0651001SC		WASHER						4	
68		WS0610002KN		SPRING WASHER 6.1X12.2X1.5						4	
69		HN00149000A		CLAMP FILTER	FOR 380V(JE)					1	
70		HN001490000		CLAMP FILTER(L)	FOR 380V(JE)					1	
71		EA9500B0100		CABLE BAND	FOR 380V(JE)					1	
72		EA9500B0200		CABLE BAND 150	FOR 380V(JE)					1	
73		HX00065000A		CABLE CLIP	FOR 380V(JE)					1	
74		MAO11532000		CORD STAPLE	FOR 1-PHASE					2	
75		SK3512001SF		WOOD SCREW	FOR 1-PHASE					2	
76		M8607580AA0		I/O ENLARGEMENT UNIT A ASM.	OPTION					1	
77		M90325800A0		I/O CORD (RED) ASM.	OPTION					1	
78		M90335800A0		I/O CORD (BLACK) ASM.	OPTION					1	
79		EA9500B0200		CABLE BAND 150						3	
80	D	M1001581000		CONTROL BOX						1	
81	R	M10025810A0	M85115810A0	CONTROL BOX COVER ASM.						1	1.00
82		M1003581000		CONTROL BOX PANEL						1	
83		M1004581000		VENTILATION COVER						1	
84		M1005581000		FDD INSTALLING PLATE						1	

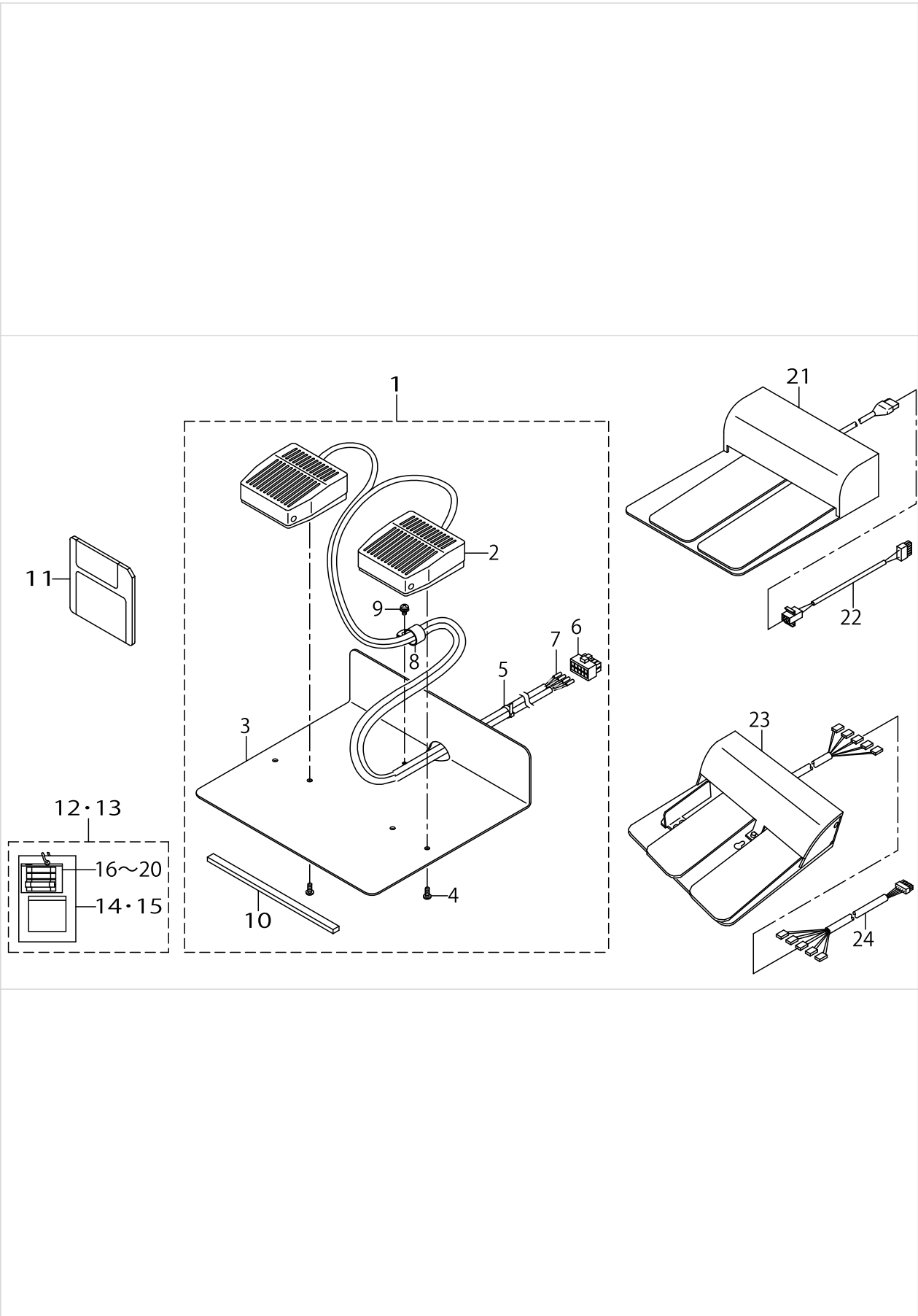
WIRING DIAGRAM



WIRING DIAGRAM

No.	Supply Code	Parts No.	Replacement	Parts name	Remarks	Choice	Step	Level	Cons	Qty	Rep. QTY
1	D	M90015810A0		SERVO MOTOR CABLE ASM.						1	
2		M90025810A0		ENCODER CONNECTING CABLE ASM.						1	
3		M90035810A0		S. VALVE CONNECTING CABLE ASM.						1	
4	D	M90085810A0		SOLENOID VALVE CABLE A ASM.	FOR SOLID TYPE FEEDING FRAME					1	
5		M90095810A0		SOLENOID VALVE CABLE B ASM.	FOR SEPARATE TYPE FEEDING FRAME					1	
6		M90045810A0		SOLENOID CABLE ASM.						1	
7		M90285800A0		POWER CABLE ASM.	FOR 380V					1	
8		M90175800A0		POWER CABLE ASM.	FOR 100~200V 3-PHASE					1	
9		M90245800A0		POWER CABLE ASM.,100V	FOR 100~200V 1-PHASE					1	
10		M90355800A0		POWER SOURCE CORD ASM.	FOR 100V(JAPAN)					1	
11		M90345800A0		GROUND CORD ASM.	FOR 100V(JAPAN)					1	
12		M90055810A0		PULSE MOTOR CABLE ASM.						1	
13	D	M90065810A0		EARTH CABLE ASM.						1	
14		M90215800A0		VOLTAGE TRANSFER CORD ASM.	FOR 100V					1	
15		M90075810A0		SENSOR CONNECTING CABLE ASM.						1	
16	R	HA00303000A	M85065220A0	SWITCH	FOR 380V 3-PHASE					1	1.00
17		HA004250000		SWITCH						1	
18	R	M8601580CA0	40043119	MAIN CIRCUIT BOARD C ASM.						1	1.00
19	R	M86045920B0	M86045900E0	POWER CIRCUIT BOARD ASM.	FOR 100~200V					1	1.00
20	R	M8604592AB0	M8604590AE0	POWER CIRCUIT BOARD A ASM.	FOR 380V					1	1.00
21	R	M86055810A0	M86065810A0	PMDC CIRCUIT BOARD ASM.						1	1.00
22	D	M8901581AA0		TRANSFORMER A ASM.	FOR 100~200V					1	
23		M8901580BA0A		TRANSFORMER B ASM.	FOR 380V					1	
24		M90025800A0		SERVO POWER CORD ASM.,B						1	
25		M90055800A0		MP POWER CORD ASM.						1	
26		M90075800A0		PMDC SIGNAL CORD ASM.						1	
27		M90085800A0		SERVO SIGNAL CORD ASM.						1	
28		M90095800A0		FDD POWER CORD ASM.						1	
29		M90105800A0		FDD SIGNAL CORD ASM.						1	
30		M90205800A0		TRANSFORMER POWER CORD ASM.	FOR 100~200V					1	
31		M9020580AA0		TRANSFORMER POWER CORD ASM.,A	FOR 380V					1	
32		M90225800A0		POWER CORD ASM.	FOR 100~200V					1	
33		M90275800A0A		POWER CORD ASM.	FOR 380V					1	
34	R	M8602590BA0	M86115800A0	SERVO CIRCUIT BOARD B ASM.						1	1.00
35		M90315900A0		SERVO POWER CORD ASM.,A						1	
36		M90105810A0		FAN CONNECTING CORD ASM.						1	
37		M90125800A0		PANEL SIGNAL CORD ASM.						1	
38		M86065800A0		OPERATION CIRCUIT BOARD ASM.						1	

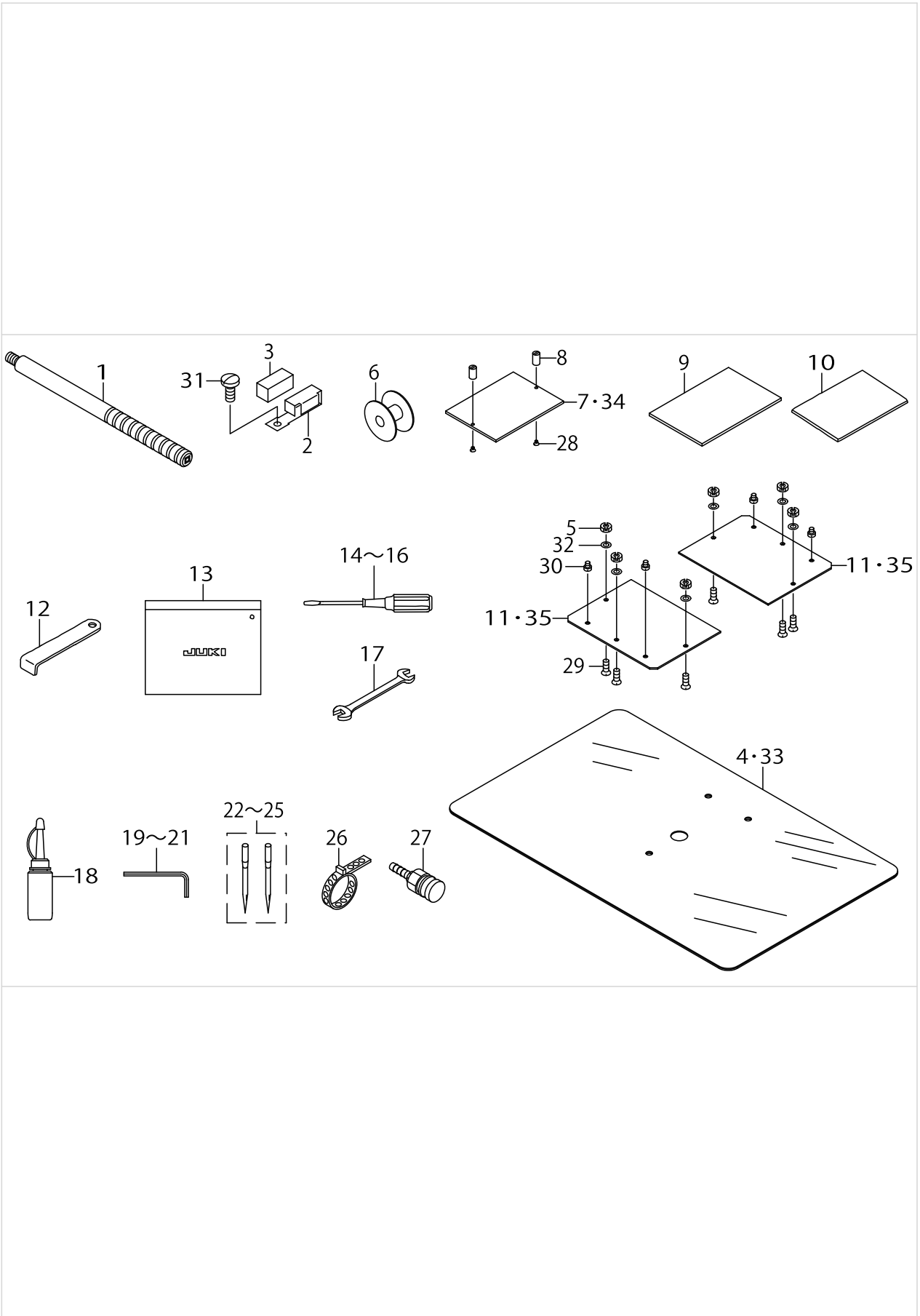
PEDAL & ELECTRICAL EQUIPMENT ACCESSORIE PART COMPONENTS



PEDAL & ELECTRICAL EQUIPMENT ACCESSORIE PART COMPONENTS

No.	Supply Code	Parts No.	Replacement	Parts name	Remarks	Choice	Step	Level	Cons	Qty	Rep. QTY
1		M85205800A0		2-PEDAL ASM.	SELECTIVE PART					1	
2		HA004260000		FOOT SWITCH				*		2	
3		M1012580000		SW. MOUNT PLATE A				*		1	
4		ST5041051SN		SCREW				*		4	
5		EA9500B0100		CABLE BAND				*		4	
6		HK034610100		10P CONNECTOR				*		1	
7		HK034640000		PIN CONTACT				*		4	
8		EA9502B0500		CABLE CLIP				*		1	
9		SL4040881SF		SCREW M4 L=8				*		1	
10		GPK26002000		PEDALBASE RUBBER				*		2	
11		M8910581000		SERVICE FLOPPY DISC						1	
12		M85995800A0		ACCESSORIE PART ASM.	FOR 100~200V					1	
13		M8599580AA0		ACCESSORIE PART ASM.,A	FOR 380V					1	
14		M300451100A		VOLTAGE INDICATION CARD,A	FOR 100~200V			*		1	
15		M3003580000		VOLTAGE INDICATION CARD,B	FOR 380V			*		1	
16		E9613601000		FUSE 2A				*		1	
17		E8523304000		FUSE 10A				*		1	
18		HF0041050P0		FUSE				*		1	
19		HF004101000		FUSE 10A				*		1	
20		HF0041080P0		FUSE 8A				*		1	
21		M85905130AA		PEDAL SWITCH ASM.	SELECTIVE PART					1	
22		M90315800A0		2-PEDAL CONNECT- ING CORD ASM.	SELECTIVE PART					1	
23		GPK470010AB		3-PEDAL ASM.	SELECTIVE PART					1	
24		M90255800A0		PEDAL SW.TRANSF- ER CABLE ASM.	SELECTIVE PART					1	

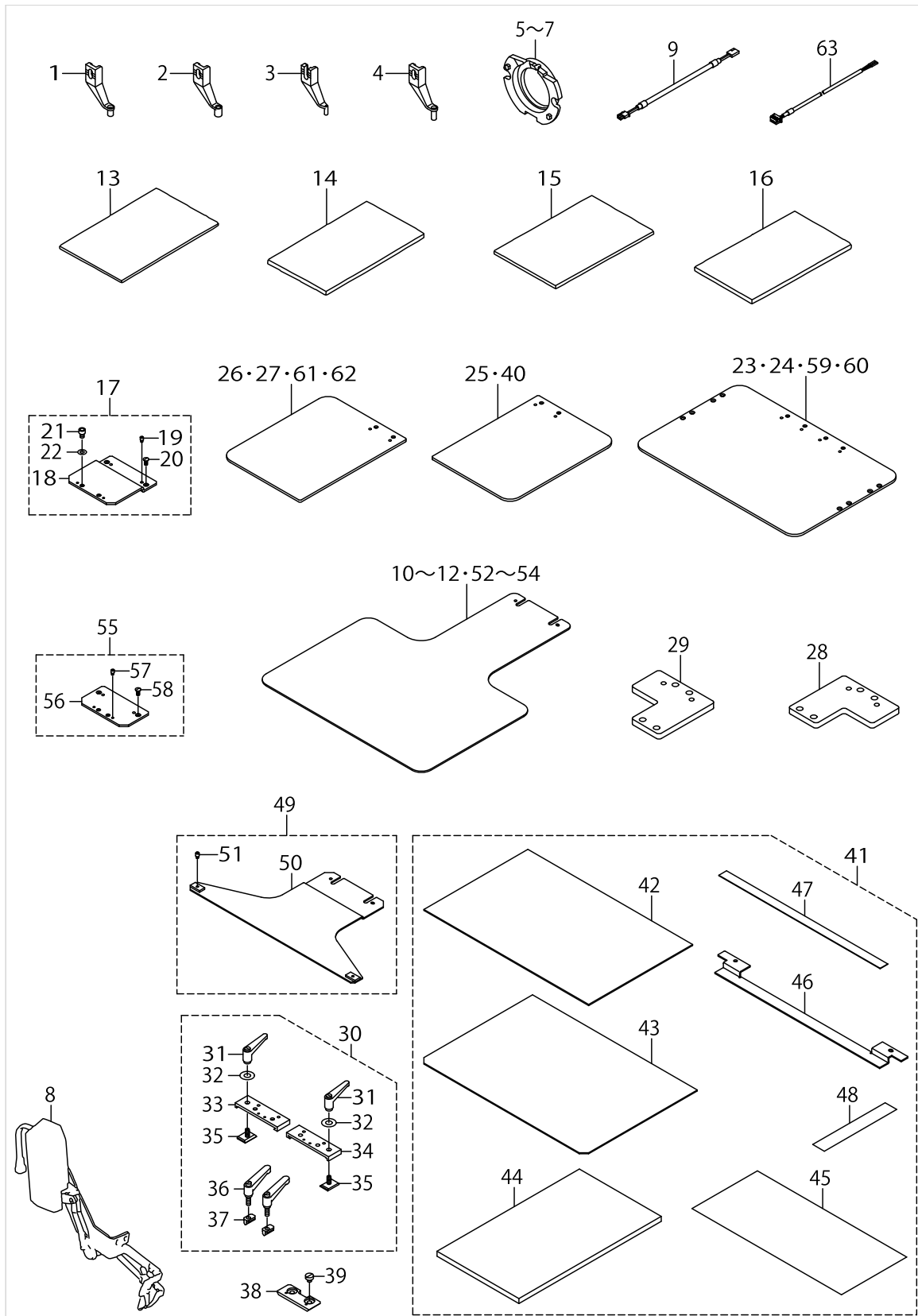
ACCESSORIE PART COMPONENTS



ACCESSORIE PART COMPONENTS

No.	Supply Code	Parts No.	Replacement	Parts name	Remarks	Choice	Step	Level	Cons	Qty	Rep. QTY
1		B9101221D00		GRIP						1	
2		10102259		THREADGUIDEASM.F						1	
3		B1131528000		FELT						1	
4		B1170221D00		NEEDLE PLATE COVER SHEET	FOR 221D					1	
5		B1626850000		ADJUSTING NUT	FOR 2ΔΔDSL,DHL					6	
6		B1806210D00		BOBBIN						1	
7	D	B2557221000		PLASTIC BLANK	FOR 221DSS,DHS					2	
8		B2559220000		HINGE PIN	FOR 2ΔΔDSS,DHS					4	
9		B2564223C00		SPONGE						1	
10		B2591220000		RUBBER SHEET						1	
11		B2618221000		PLASTIC BLANK	FOR 221DSL,DHL					4	
12		B9101490000		DRIVER						1	
13	R	B9101552000	22932800	ACCESSORY BOX						1	1.00
14	R	B9109555000	22933006	SCREW DRIVER, LARGE						1	1.00
15	R	B9110012000	22933105	SCREW DRIVER, MIDDLE						1	1.00
16	R	B9111012000	22933204	SCREW DRIVER, SMALL						1	1.00
17		B9113012000		WRENCH (9X10)						1	
18		B91212200A0		OILER (CONTAINING NO.2 OIL)						1	
19		B9140372000		HEXAGONAL WRENCH, SMALL						1	
20		GCT02906000		HEXAGONAL SPANNER						1	
21		J106600000B		HEXAGONAL WRENCH KEY (2MM)						1	
22		MC200501002		NEEDLE 134 #100-2	FOR 2ΔΔDSS,DSL					1	
23		MC372001102		NEEDLE SY3355 #110-2	FOR 2ΔΔDHS,DHL					1	
24	R	MDP170B1802	MDP170B1800	NEEDLE DPZ17#18-2	FOR 2ΔΔDHS,DHL					1	1.00
25	R	MDP500B1402	MDP500B1400	NEEDLE DPX5#14-2	FOR 2ΔΔDSS,DSL					1	1.00
26		PB000010000		HOSE BAND						1	
27		PJ309520001		SOCKET						1	
28		SS1090510SP		SCREW 9/64-40 L=5	FOR 2ΔΔDSS,DHS					4	
29		SS2111010TP		SCREW 11/64-40 L=9.5	FOR 2ΔΔDSL,DHL					6	
30		SS7090410SP		SCREW 9/64-40 L= 3.5	FOR 2ΔΔDSL,DHL					4	
31	R	SS7090910SP	SS7090910TP	SCREW 9/64-40 L=8.5						1	1.00
32		WP0450000SD		WASHER 4.5X8X0.5	FOR 2ΔΔDSL,DHL					6	
33		B1170215000		AUXILIARY COVER SHEET	FOR 215D					1	
34	D	B2557215D00		PLASTIC BLANK	FOR 215DSS,DHS					2	
35		B2618215D00		PLASTIC BLANK	FOR 215DSL,DHL					4	

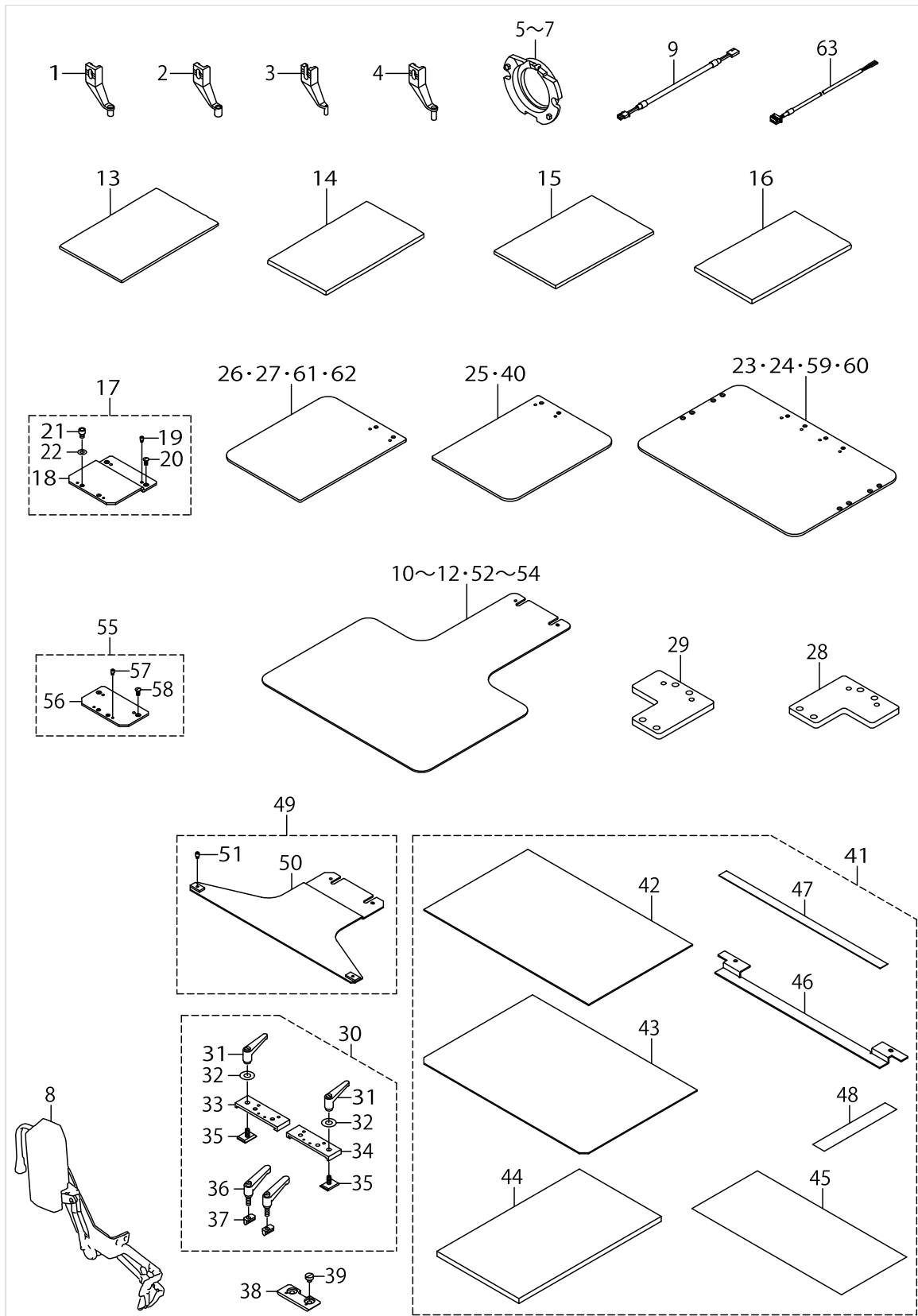
OPTIONAL PART COMPONENTS



OPTIONAL PART COMPONENTS

No.	Supply Code	Parts No.	Replacement	Parts name	Remarks	Choice	Step	Level	Cons	Qty	Rep. QTY
1		B1601210D0BA		INTERMEDIATE PRESSER B						1	
2		B1601210D0CA		INTERMEDIATE PRESSER C						1	
3		B1601210D0E		INNER PRESSER E						1	
4		B1601210D0FA		INTERMEDIATE PRESSER F						1	
5	R	B1817210DAA	14103253	SHUTTLE RACE RING COMPL.,A						1	1.00
6	R	B1817210DAC	14103659	SHUTTLE RACE RING ASM.,C						1	1.00
7		B1817210DAD		SHUTTLE RACE RING ASM.,D						1	
8	D	B21202150A0		NEEDLE THREAD CLAMP DEVICE	PART TO BE USED TOGETHER					1	
9		B4150210DA0		WIPER RELAY CABLE ASM.	PART TO BE USED TOGETHER					1	
10		B2552221D0A		LOWER PLATE	FOR 221D					1	
11	D	B2552221D0B		LOWERPLATEBLANK	FOR 221D					1	
12		B2552221D0C		LOWER PLATE BLANK (0.5MM)	FOR 221D					1	
13		B2587220000		WORK CLAMP PAPER MATERIAL (A)						1	
14		B2588220000		WORK CLAMP PAPER MATERIAL (B)						1	
15		B259522000A		PRESSER CLOTH SHEET						1	
16		B259522000B		PRESSER CLOTH SHEET B						1	
17		B2555221DAA		LOWER PLATE FIX PLATE ASM.						1	
18		B2555221D0A		LOWER PLATE FIX PLATE				*		1	
19		B151902600G		HINGE STUD				*		2	
20		SS2111010TP		SCREW 11/64-40 L=9.5				*		2	
21		SM6060802TP		SCREW M6 L=8				*		2	
22		WP0611626SP		WASHER 15X6X1.6				*		2	
23		B2620221000		FEEDING FRAME BLANK PLATE	FOR 221D					1	
24	D	B2621221000		FEEDING FRAME BLANK PLATE	FOR 221D					1	
25		B2622221000		FEEDING FRAME BLANK,RIGHT	FOR 221D					1	
26		B2623221000		FEEDING FRAME BLANK,LEFT	FOR 221D					1	
27		B2626221000		2-STEP FEEDING FRAME BLANK	FOR 221D					1	
28		B2630215AA0		SLIDING PLATE ASM. RIGHT						1	
29		B26302150A0		SLIDING PLATE ASM. LEFT						1	
30	D	B26402150B0		CLAMP ASM.						1	
31		B5116210000		CLAMP LEVER				*		2	
32		WP0650876SD		WASHER 6.5X13X0.8				*		2	
33	D	B26402150A0		FEEDING FRAME BLANK RIGHT				*		1	
34	D	B2640215AA0		FEEDING FRAME BLANK LEFT				*		1	
35		B26432150A0		SETTING PLATE ASM.				*		2	
36		B5115210000		FEEDING FRAME CLAMP LEVER				*		2	
37		B2645215000		LOWER PLATE				*		2	
38		B26412150A0		SLIDE ASM.						1	
39		SS6150610SP		SCREW 15/64-28 L=5.5						2	
40		B2622215D00		FEEDING FRAME BLANK,RIGHT	FOR 215D					1	
41		B25822210A0		CASSETTE PRESSER ASM.						1	
42		B2584221000		CASSETTE PRESSE- R UPPER PLATE				*		1	
43		B2583221000		CASSETTE PRESSE- R LOWER PLATE				*		1	

OPTIONAL PART COMPONENTS



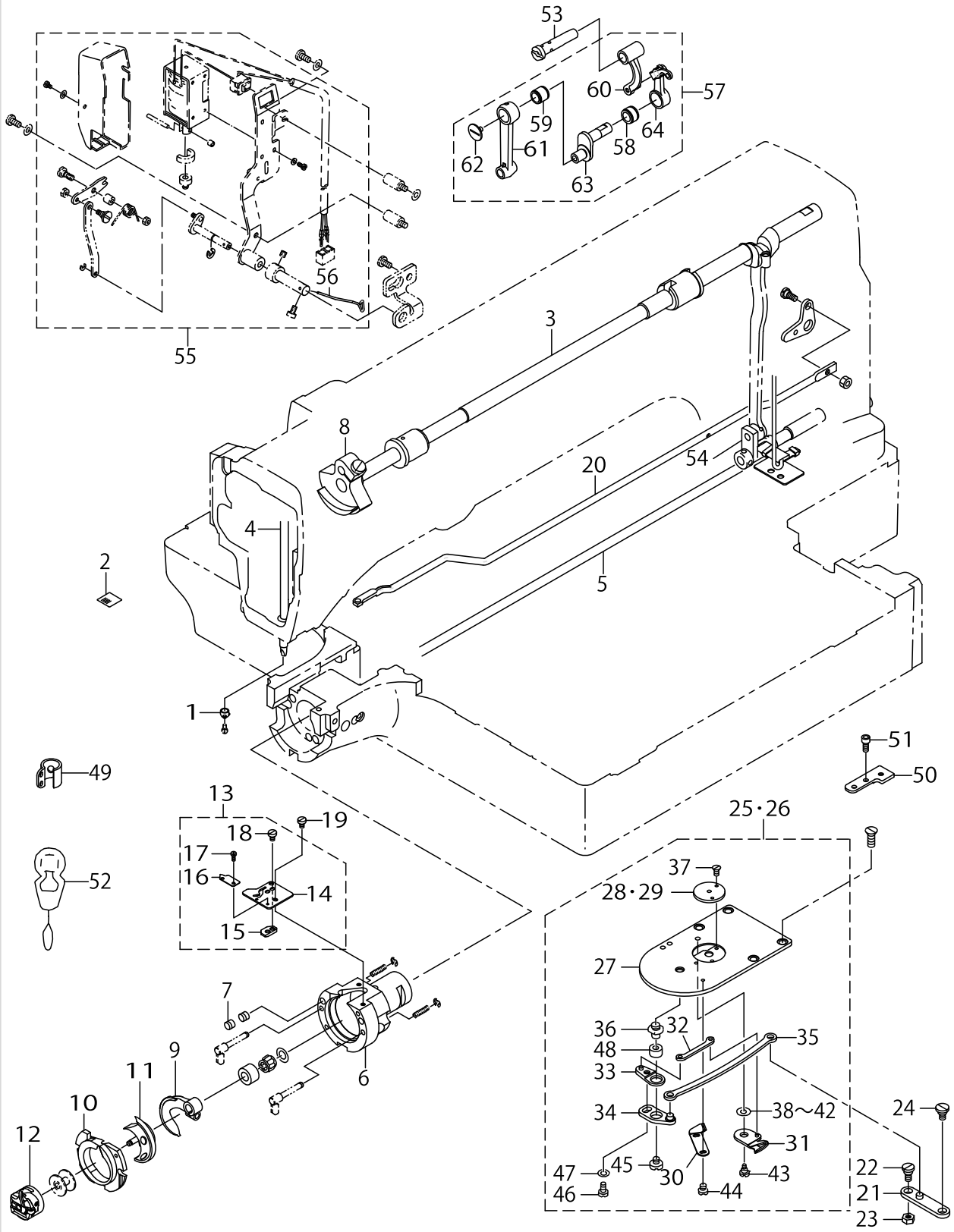
OPTIONAL PART COMPONENTS

No.	Supply Code	Parts No.	Replacement	Parts name	Remarks	Choice	Step	Level	Cons	Qty	Rep. QTY
44		B2588220000		WORK CLAMP PAPER MATERIAL (B)				*		1	
45		B2646215000		TAPE				*		1	
46		B2582221000		CASSETTE PRESSER BASE PLATE				*		1	
47		B2589215000		CASSETTE PRESSER SPACER				*		1	
48		B2572229000		FILAMENT TAPE				*		2	
49		B2581221DA0		CASSETTE PRESSE-R FIX PLATE ASM						1	
50		B2581221D00		CASSETTE PRESSER FIX PLATE				*		1	
51		B2560372000		BUTTON CLAMP STOP PIN				*		2	
52		B2552215D0A		LOWERPLATEBLANK	FOR 215D					1	
53		B2552215D0B		LOWERPLATEBLANK	FOR 215D					1	
54	D	B2552215D0C		LOWER PLATE BLANK(0.5MM)	FOR 215D					1	
55		B2555215DA0		LOWER PLATE FIX PLATE ASM.						1	
56		B2555215D00		LOWER PLATE FIX PLATE				*		1	
57		B151902600G		HINGE STUD				*		2	
58		SS2111010TP		SCREW 11/64-40 L=9.5				*		2	
59		B2620215D00		FEEDING FRAME BLANK PLATE	FOR 215D					1	
60		B2621215D00		FEEDING FRAME BLANK PLATE	FOR 215D					1	
61		B2623215D00		FEEDING FRAME BLANK,LEFT	FOR 215D					1	
62	D	B2626215D00		FEEDING FRAME BLANK	FOR 215D					1	
63		B4131221DA0		UPPER SHAFT SENSOR CABLE ASM.	NECESSARY WHEN USING HD-00193000(PHOTO INTERRUPTER)					1	

AMS-221D/215D PERFECT STITCH EXCLUSIVE PART COMPONENTS

(Caution) Please understand that the standard stitch specifications of the current AMS-2△△D cannot be modified to the perfect stitch specifications of the AMS-2△△D.

(注 意) 現行のAMS-2△△D標準ステッチ仕様からAMS-2△△Dパーフェクトステッチ仕様へ改
 びて承下さい。



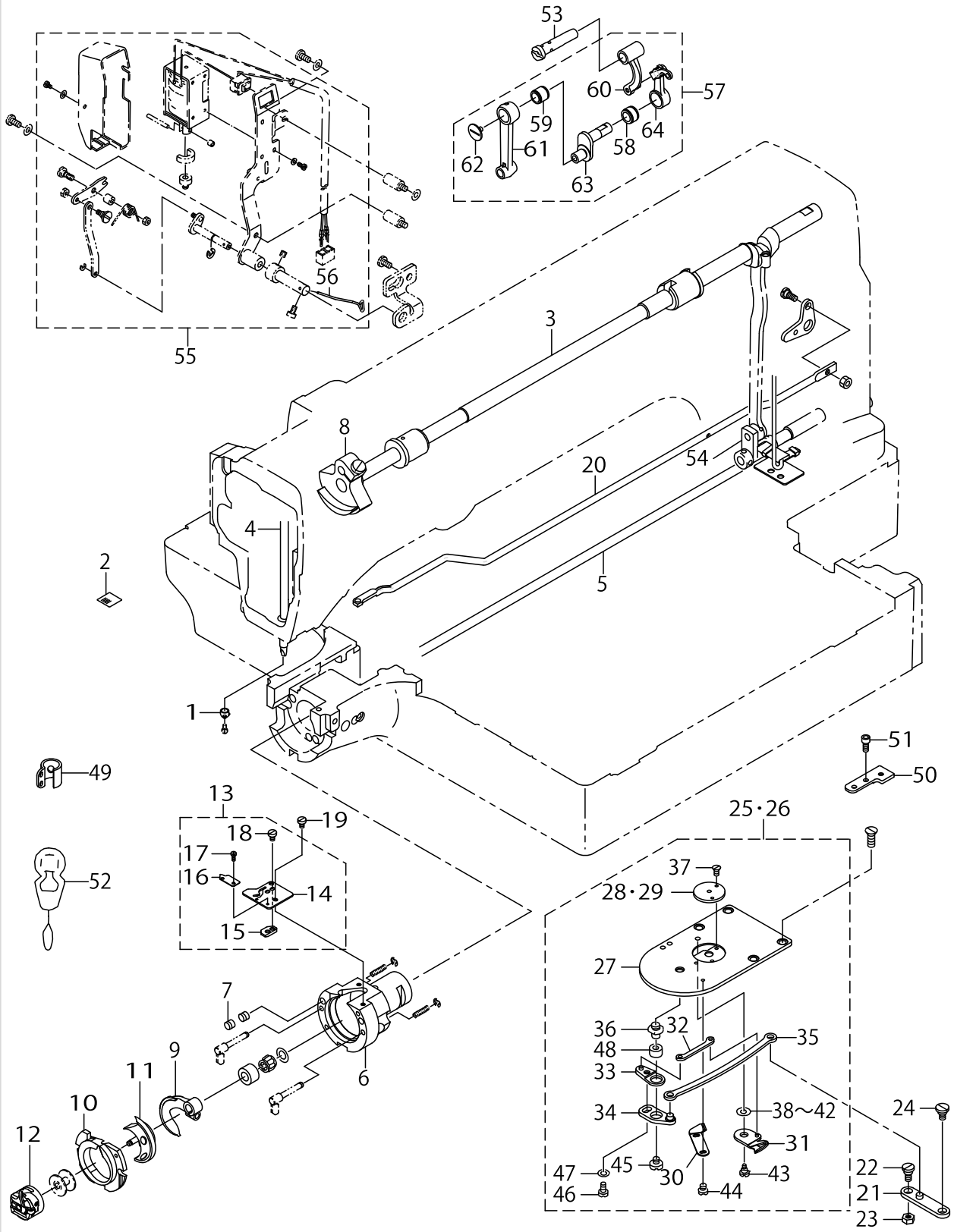
AMS-221D/215D PERFECT STITCH EXCLUSIVE PART COMPONENTS

No.	Supply Code	Parts No.	Replacement	Parts name	Remarks	Choice	Step	Level	Cons	Qty	Rep. QTY
1		B1406215P00		THREAD GUIDE H	FOR 2ΔΔDHS,DHL					1	
2		B1191215P00		NEEDLE SETTING LABEL						1	
3		B1201221D0A		MAIN SHAFT,TYPE P						1	
4	D	B1401210D00		NEEDLE BAR,TYPE P						1	
5		B1811221DAA		LOWER SHAFT GEAR COMPL.,TYPE P						1	
6		B1814215P00		SHUTTLE						1	
7		B1226552000		ROLLER FELT						4	
8	D	B1206210000		COUNTERWEIGHT						1	
9		B1812215P00		SHUTTLE DRIVER						1	
10	D	B1854210DA0		P INNER HOOK PRE- SSER JUNCTION						1	
11		B1818215P00		SHUTTLE						1	
12		B1852210DA0		P BOBBIN CASE ASM.						1	
13		B1816210DA0		UPPER SPRING ASM.						1	
14		B1816210D00		SHUTTLE UPPER SPRING,TYPE P				*		1	
15		B1840210D00		LOOP RECEIVING PLATE				*		1	
16		B1841210D00		LOWER THREAD HOLDER				*		1	
17		SS6060220SP		SCREW 3/32-56 L=2.0				*		2	
18		SS6090420SP		SCREW 9/64-40 L=4.0				*		2	
19		SS6090420SP		SCREW 9/64-40 L=4.0				*		2	
20	D	B2430221D00		T. TRIMMER CONNECTING BAR,P						1	
21		B2430215PA0		CONNECTING ARM ASM.						1	
22		SD0640326TP		HINGE SCREW						1	
23		NS6110310SP		NUT 11/64-40						1	
24		SD0640326TP		HINGE SCREW						1	
25		B2425215PA0		NEEDLE PLATE ASM.	FOR 2ΔΔDSS,DSL					1	
26		B2425215PAB		NEEDLE PLATE ASM., H	FOR 2ΔΔDHS,DHL					1	
27		B2425215P00		NEEDLE PLATE				*		1	
28		B2426215P0A		NEEDLE HOLE GUIDE D=1.6	FOR 2ΔΔDSS,DSL			*		1	
29		B2426215P0B		NEEDLE HOLE GUIDE D=2.0	FOR 2ΔΔDHS,DHL			*		1	
30		B2424215P00		COUNTER KNIFE				*		1	
31		B2421215PA0		MOVING KNIFE ASM.				*		1	
32	D	B2418215P00		MOVING KNIFE LINK				*		1	
33		B2415215PA0		TRIMMING LEVER ASM. (SMALL)				*		1	
34		B2414215PA0		MOVING KNIFE DRIV- ING LEVER ASM				*		1	
35		B2432215P00		THREAD TRIMMING ROD				*		1	
36		B2417280000		THREAD CUTTER LEVER SHAFT				*		1	
37		SS1060210TP		SCREW 3/32-56 L=2.2				*		2	
38		B242328000C		MOVING KNIFE WASHER C	SELECTIVE PART			*		1	
39		B242328000D		MOVING KNIFE WASHER D	SELECTIVE PART			*		1	
40		B242328000E		MOVING KNIFE WASHER E	SELECTIVE PART			*		1	
41		B242328000F		MOVING KNIFE WASHER F	SELECTIVE PART			*		1	
42		B242328000G		MOVING KNIFE WASHER G	SELECTIVE PART			*		1	
43		B2417210000		MOVING KNIFE HINGE SCREW				*		1	
44		SS7060310SP		SCREW 3/32-56 L=3				*		2	
45		SS6110430TP		SCREW 11/64-40 L= 4.0				*		1	

AMS-221D/215D PERFECT STITCH EXCLUSIVE PART COMPONENTS

(Caution) Please understand that the standard stitch specifications of the current AMS-2△△D cannot be modified to the perfect stitch specifications of the AMS-2△△D.

(注 意) 現行のAMS-2△△D標準ステッチ仕様からAMS-2△△Dパーフェクトステッチ仕様へ改
 びて承下さい。



AMS-221D/215D PERFECT STITCH EXCLUSIVE PART COMPONENTS

No.	Supply Code	Parts No.	Replacement	Parts name	Remarks	Choice	Step	Level	Cons	Qty	Rep. QTY
46		SS7110740TP		SCREW 11/64-40 L=7				*		1	
47		WP0450846SP		WASHER				*		1	
48		B2416280000		THREAD CUTTING LEVER RING				*		1	
49		B1405221D00		THREAD GUIDE A	FOR 2ΔΔDSS,DSL					1	
50		B2431215P00A		THREAD CONNECTION PLATE						1	
51		SS6111052TP		SCREW						2	
52		B9107761000		THREAD PASSING INSTRUMENT						1	
53		B1904280000		BALANCE CRANK PIN						1	
54		B1805210D0A		P LOWER SHAFT OSCILLATOR						1	
55		B2107210DAA		P WIPER ASM.						1	
56		B2107210D0A		P WIPER				*		1	
57		B19012800B0		LINK BALANCE ASM.						1	
58	R	B1905541000	B1905541A00	NEEDLE BUSHING		A	A:ローラー径2φ公差0~-0.002/A:ROLLER diameter 2φ tolerance 0~-0.002	*		1	1.00
58	R	B1905541000	B1905541B00	NEEDLE BUSHING		B	B:ローラー径2φ公差-0.002~-0.004/B:ROLLER diameter 2φ tolerance -0.002~-0.004	*		1	1.00
58	R	B1905541000	B1905541C00	NEEDLE BUSHING		C	C:ローラー径2φ公差-0.004~-0.006/C:ROLLER diameter 2φ tolerance -0.004~-0.006	*		1	1.00
58	R	B1905541000	B1905541D00	NEEDLE BUSHING		D	D:ローラー径2φ公差-0.006~-0.008/D:ROLLER diameter 2φ tolerance -0.006~-0.008	*		1	1.00
59	R	B1411804000	B1411804A00	NEEDLE DRIVING LEVER BEARING		A	A:	*		1	1.00
59	R	B1411804000	B1411804B00	NEEDLE DRIVING LEVER BEARING		B	B:	*		1	1.00
59	R	B1411804000	B1411804C00	NEEDLE DRIVING LEVER BEARING		C	C:	*		1	1.00
59	R	B1411804000	B1411804D00	NEEDLE DRIVING LEVER BEARING		D	D:	*		1	1.00
60	R	B1903280000	B19012800A0	THREAD TAKE-UP CRANK				*		1	1.00
61		B1404280000		NEEDLE BAR CRANK ROD				*		1	
62		B1903552000		LEFT SCREW				*		1	
63		B1203280000		NEEDLE ROD CRANK				*		1	
64	R	B1901280000	B19012800A0	THREAD TAKE-UP LEVER				*		1	1.00

LIST FOR INFORMATION OF CHANGE

As to the place changed, refer to the corresponding Rev.No.
 When previous parts (Obsolated part) and new parts (Added parts) are not interchangeable with each other:
 In this case, even obsolated parts (D.) can be ordered with the obsolated part number, so select the parts with changed dates and place your orders.

変更箇所は、該当Rev.No.版をご参照ください。
 部品の互換性がない変更の場合は、削除された品番でも、ご注文できます。

29317401
 No.1248-02 Rev.No.

*A: Added parts 追加部品 / D: Obsolated parts 削除部品 / E: Erratum 訂正

*	Rev. No.	Page 頁	Ref. No.	Parts No. 品番	*	Rev. No.	Page 頁	Ref. No.	Parts No. 品番
D	01	6	56	HD-0013500-00	A	02	6	56	HD-0019300-00
D	01	21	5	B4130-221-DA0	A	02	21	5	B4130-221-DA0-A
					A	02	34	63	B4131-221-DA0

HOW TO MAKE USE OF THIS PARTS LIST

1.Explanation of codes

1)"*"mark.....means this part is changed from the previous parts book.

As to the details of the change, refer to the "List for information of change".

2)"#01".....refer to "Note" explanation at bottom of page.

2.Codes on the "Qty" column

- Each numeral indicates the number of parts required.
- "0.1" and "2.5" indicate the length (in meters) of the respective parts.

3.Parentheses mean that the corresponding part is a subpart that constructs an assembly part.

4.Dotted lines on the Figures indicate assembly parts.

1."注記"欄の記号説明

1) "*"印.....前回のパーツブックに比較して今回変更された部品を意味します。

変更内容は、"変更情報リスト"を参照してください。

2) "#01".....ページ下の"注記"の説明を参照してください。

2.数量欄の数字は、個数を表し、0.1、2.5等の数値は、長さ（単位メートル）を表します。

3.数量欄の（ ）は、組部品を構成している子部品であることを意味します。

4.イラストページの-----枠は、組構成であることを意味します。

NUMERICAL INDEX OF PARTS

PART NO	PAGE	REF NO.	PART NO	PAGE	REF NO.	PART NO	PAGE	REF NO.
10004109	2	8	13716808	26	7	B1111232000	2	10
10102259	68	2	13717707	16	21	B1112215000	8	3-61
10502300	4	59	13816608	2	7	B1112221D00	6	3-61
10523504	20	31	13816855	20	37	B1113223C00	6	16
10618304	4	70	13817408	26	16-22	B1113224000	6	17
11006004	16	18	14107809	28	2	B1115215000	6	18
11018504	2	6	14109300	30	48	B1115232000	28	6
11023603	54	49	14113450	4	61	B11152320A0	28	3
11071602	16	22	14113468	4	60	B1116215000	2	11
11071701	16	19	14114508	14	60	B1116804000	30	47
11072402	4	55-64	16992604	32	25	B1117210D00	2	12
11072709	24	4	17007402	52	8	B1118221DA0	6	4
11110152	24	5	17700402	24	34	B1118221DAA	8	59
11110301	24	6	17833658	52	9	B1121224000	6	19
11110400	24	7	17845009	60	17	B1123210D00	2	13
11110509	24	8	22537658	4	68	B1123280000	2	14
11110608	24	9	22538151	4	74	B1125210D00	2	15
11110707	24	10	22538300	4	79	B1125215P00	2	16
11110905	24	12	22538409	4	69	B1126210000	2	17
11111051	24	13	22687701	32	27	B1129210000	2	18
11111507	24	14	22930309	56	14	B1131528000	68	3
11111804	24	16	22930358	56	1	B1132223C00	6	20
11112000	24	15	22930408	56	10	B1143210000	4	85
11155108	52	17	22930507	56	9	B1144210000	10	16
11155207	52	18	22930705	56	7	B1148555000	4	75
11158300	52	5	22930804	56	5	B1153221D00	6	5
11158409	52	6	22930903	56	4	B1154221D00	6	6
11158516	52	7	22931000	56	3	B1155221D00	6	7
11217114	10	12	22931109	56	2	B1156221D00	6	8
11217213	10	11	22931208	56	15	B1157215000	6	21
11272408	32	24	22931307	56	11	B1170215000	8	9-62
11847308	16	20	22931406	56	8	B1170215000	68	4-33
12284303	16	27	22931505	56	21	B1170221D00	6	9-62
13502109	52	19	A1230500000A	10	14	B1170221D00	68	4-33
13508700	20	34	A321600100A	4	76	B1178191000	2	19
13508809	20	35	B1103221D00	2	1	B1180221D00	6	10
13508908	20	36	B1104221D00	2	2	B1181221D00	6	11
13513205	26	5	B1105210D00	2	9	B1182221D00	6	12
13513304	26	6	B1106221D00	2	3	B1183221D00	6	13
13515200	18	52	B1107221D00	2	4	B1185221D00	8	60
13518105	52	20	B1108221D00	6	1	B1191215P00	74	2
13530209	4	91	B1108221D0A	8	58	B1193221D00	6	14
13530209	44	3	B1109221D00	2	5	B1201221D00	10	6
13530209	48	23	B1110221DA0	6	2	B1201221D0A	74	3
13551254	4	84	B1111215000	6	15	B1202210000	12	54

NUMERICAL INDEX OF PARTS

PART NO	PAGE	REF NO.	PART NO	PAGE	REF NO.	PART NO	PAGE	REF NO.
B1203215000	10	15	B1504221D00	8	55-64	B1806210D00	20	23
B1203280000	76	63	B1515210D00	22	65	B1806210D00	68	6
B1206210000	74	8	B151902600G	32	28	B1808210D00	20	26
B1206210D00	10	7	B151902600G	70	57	B1811221DA0	22	51
B1212210D00	10	10	B151902600G	72	57	B1811221DAA	74	5
B1213210D00	10	1	B1527581000A	18	54	B1812210D00	20	20
B1214210D00	10	2	B152989000CA	4	72	B1812215P00	74	9
B1215210D00	10	8	B1601210D00A	16	1	B1813980000	20	9
B1216210D00	10	9	B1601210D0BA	70	1	B1814210D00	20	6
B1223771000	12	44	B1601210D0CA	70	2	B1814215P00	74	6
B1226552000	74	7	B1601210D0E	70	3	B1814221DA0	20	5
B1230210D00	10	5	B1601210D0FA	70	4	B1815210000	22	47-48
B1231210D00	10	3	B1603210D00	16	3	B1815980000	22	47-48
B1232210D00	10	4	B1604221D00	16	2	B1816210D00	74	14
B1401210A00	12	37	B1606210D00	16	8	B1816210DA0	74	13
B1401210D00	74	4	B1607210D00	16	55	B1816280000	32	30
B1402280000	12	38	B1607210D00	18	55	B1816280000	38	53
B1403280000	12	42	B1609210D00	16	5	B1816280000	40	53
B1403372000A	38	5	B1610210D00	16	7	B1817210DAA	70	5~7
B1404280000	12	35	B161121000A	16	26	B1817210DAB	20	4
B1404280000	76	61	B1611210D00	16	16	B1817210DAC	70	5~7
B1405210000	12	39	B1612210D00	16	6	B1817210DAD	70	5~7
B1405221D00	76	49	B1620221D00	16	10	B1818210D0A	20	21-22
B1406210000	12	40	B1622221D00	16	11	B1818210D0B	20	21-22
B1406215P00	74	1	B1625220000	38	80	B1818215P00	74	11
B1407210D00	10	30	B1625220000	40	80	B1819280000	22	49
B1408180000	16	24	B1626220000	38	81	B1820210D00	20	7
B14115520A0	12	43	B1626220000	40	81	B1820215PA0A	20	16
B1411804000	12	33	B1626850000	68	5	B1821210D00	20	8
B1411804000	76	59	B1627210D00	16	15	B1822215P00	20	17
B1411804A00	20	61~64	B1629224000	16	28	B1828210D0A	20	25
B1411804A00	22	61~64	B1630210D00	16	4	B1828210DAA	20	24
B1411804B00	20	61~64	B1631210D00	16	17	B1836210D00	20	1
B1411804B00	22	61~64	B1632210D00	16	14	B1840210D00	74	15
B1411804C00	20	61~64	B1633210D00	16	12	B1841210D00	74	16
B1411804C00	22	61~64	B1634210D00	18	50	B1846221D00	20	33
B1411804D00	20	61~64	B1641562000	16	23	B1847221D00	22	59
B1411804D00	22	61~64	B1642210D00	16	13	B1849221D00	22	60
B1414232000	12	41	B1649161000	16	29	B1852210DA0	74	12
B1419026000	44	4	B1649161000	26	25	B185351200E	40	84
B1501127000	16	25	B1649161000	30	45	B1854210DA0	74	10
B1502215D00	8	54-63	B1802180000	32	29	B1901210DA0	10	29
B1502221D00	8	54-63	B1802210D00	20	32	B1901210DC0	10	28
B1504210000	38	4	B1805210D00	20	2	B1901280000	76	64
B1504215D00	8	55-64	B1805210D0A	76	54	B19012800B0	76	57

NUMERICAL INDEX OF PARTS

PART NO	PAGE	REF NO.	PART NO	PAGE	REF NO.	PART NO	PAGE	REF NO.
B1903210000	10	31	B24162100A0	28	29·30	B2514215000	40	69
B1903280000	76	60	B2416280000	28	28	B2514221D00	32	6
B1903552000	12	34	B2416280000	76	48	B2516215000	40	83
B1903552000	76	62	B2417210000	28	33	B2516221D00	32	7
B1904280000	12	36	B2417210000	74	43	B2517221D00	32	8
B1904280000	76	53	B2417280000	28	42	B2518215000	40	73
B1905541000	10	32	B2417280000	74	36	B2518215A00	40	75
B1905541000	12	32	B2418215P00	74	32	B2519221D00	32	9
B1905541000	76	58	B2418280000	28	27	B2520215D00	34	10·83
B2102816000A	16	30	B2421210AA0	28	26	B2520221D00	32	10·83
B2107210D00	24	2	B2421215PA0	74	31	B2523221D00	32	11
B2107210D0A	76	56	B242328000A	28	37~40	B2525221D00	32	12
B2107210DA0	24	1	B242328000B	28	37~40	B2526223C00	32	33
B2107210DAA	76	55	B242328000C	28	37~40	B2527215000	40	74
B2110210D00	24	33	B242328000C	74	38~42	B2527221D00	32	13
B2111210D00	24	3	B242328000D	28	37~40	B2528215000	40	67
B21202150A0	70	8	B242328000D	74	38~42	B2528221D00	32	14
B2130210D00	24	11	B242328000E	74	38~42	B2529232000	6	22
B2301210D00	28	1	B242328000F	74	38~42	B2529352000	22	46
B23022050AA	26	8·9	B242328000G	74	38~42	B2530215000	40	88
B2302280000	26	13	B2424210000	28	25	B2534221D00	32	15
B23022800A0	26	8·9	B2424215P00	74	30	B2537221D00	34	90
B2303205000	30	46	B2425215000	28	22	B2540221D00	32	16
B2303280000	26	23	B2425215P00	74	27	B2541221D00	32	17
B2304205000	40	79	B2425215PA0	74	25·26	B2542221D00	32	18
B2304210D00	26	1	B2425215PAB	74	25·26	B2543221D00	32	19
B2305205000	26	11·19	B2425221DAA	28	20·21	B2544215D00	34	20·84
B2306210D00	26	3	B2425221DAB	28	20·21	B2544221D00	32	20·84
B2308221D00	26	2	B242621000A	28	23·24	B2545215D00	34	88
B2312210D00	28	15	B242621000B	28	23·24	B2547221D00	32	21
B2313280000	26	12	B2426215P0A	74	28·29	B2548215000	40	87
B2315210D00	26	4	B2426215P0B	74	28·29	B2548221D00	32	22
B2401210D00	28	14	B2430215PA0	74	21	B2550221D00	38	2
B2402210D00	28	10	B2430221D00	74	20	B2552215D00	40	1·89
B2404210DA0	28	19	B2431215P00A	76	50	B2552215D0A	72	10~12·52 ~54
B2407210D00	28	17	B2432215P00	74	35	B2552215D0B	72	10~12·52 ~54
B2408210D00	28	13	B2440210D00	28	16	B2552215D0C	72	10~12·52 ~54
B2409210D00	28	11	B2504221D00	32	1	B2552215D00	38	1·89
B2411210000	28	43	B2505221D00	32	2	B2552221D00	70	10~12·52 ~54
B2412210D00	28	12	B2506221D00	32	3	B2552221D0A	70	10~12·52 ~54
B2413221D00	28	18	B2509224000	32	32	B2552221D0B	70	10~12·52 ~54
B2414215PA0	74	34	B2509372000A	38	7	B2552221D0C	70	10~12·52 ~54
B24142800A0	28	31	B2512221D00	32	4	B2552221D00	70	10~12·52 ~54
B2415215PA0	74	33	B2513215000	40	46	B2552221D00	70	10~12·52 ~54
B24152800A0	28	29·30	B2513221D00	32	5			

NUMERICAL INDEX OF PARTS

PART NO	PAGE	REF NO.	PART NO	PAGE	REF NO.	PART NO	PAGE	REF NO.
B2553215D00	40	25-90	B2618215D00	68	11-35	B3205210000	4	73
B2553221000	38	25-90	B2618221000	68	11-35	B3212761000	4	77
B2555215D00	72	56	B2620215D00	72	23-24-59- 60	B3213205000	10	26
B2555215DA0	72	55	B2620221000	70	23-24-59- 60	B3501210000	44	5
B2555221D00	32	23	B2621215D00	72	23-24-59- 60	B3502220000	44	6
B2555221D0A	70	18	B2621221000	70	23-24-59- 60	B3504280000	20	11
B2555221DAA	70	17	B2622215D00	70	25-40	B3505210D00	44	7
B2557215D00	68	7-34	B2622221000	70	25-40	B3505280000	20	10
B2557221000	68	7-34	B2623215D00	72	26-27-61- 62	B3506221D00	44	1
B2558220000	38	26	B2623221000	70	26-27-61- 62	B3507220000	44	8
B2559220000	68	8	B2626215D00	72	26-27-61- 62	B3507280000	44	9
B2560372000	72	51	B2626221000	70	26-27-61- 62	B3508280000	44	12
B2564223C00	68	9	B26302150A0	70	29	B3509210D00	44	13
B2567215000	38	41	B2630215AA0	70	28	B3509220000	44	14
B25672150A0	38	40	B26402150A0	70	33	B3509280000	44	15
B2568223C00	38	31	B26402150B0	70	30	B3510221D00	44	2
B2570215000	38	16	B2640215AA0	70	34	B3511221D00	46	55
B2571215000	38	17	B26432150A0	70	35	B3518280000	44	17
B2572229000	72	48	B2645215000	70	37	B3520220000	44	18
B2576220000	38	6	B2702210000	26	24	B35222200A0	44	19
B25792290A0	40	61	B2703210000	48	21	B3523220000	44	20-28
B2581221D00	72	50	B3012490000	40	86	B3549850000	24	35
B2581221DA0	72	49	B3012816000	40	77	B4001221D00	12	55
B2582221000	72	46	B3107804000	26	15	B4005221D00	48	1
B25822210A0	70	41	B3111352000	28	8	B4007221D00	48	2
B2583221000	70	43	B3112761000	26	10-14	B4008221D00	48	3
B2584221000	70	42	B3114232000	26	11-19	B4022221D00	48	4
B2587220000	70	13	B3114771000	2	20	B4110210D00A	48	7
B2588220000	70	44	B3119771000	26	16-22	B4120221D00	48	22
B258822000A	72	44	B3120125000	26	17	B4130221DA0A	48	5
B2589215000	72	47	B3123352000	28	4	B4131221DA0	72	63
B2591220000	68	10	B3125012000	28	7	B4150210DA0	70	9
B259522000A	70	15	B3126012000	4	62	B4701221DA0	50	1
B259522000B	70	16	B3126012000	26	18	B4702221DA0	50	7
B2604215000	40	49	B3126012000	26	5	B471122000A	18	61
B26042150A0	40	48	B3132552000	26	20	B471122000B	18	62
B2605215000	40	52	B3204210DA0	4	67	B471122000C	38	11
B26052150A0	40	51	B3204210DB0	4	66	B471122000D	38	12
B2606215D00	40	29-91				B471122000E	40	64
B2606221000	38	29-91				B471122000F	40	65
B2611215000	38	44				B471122000G	38	13
B26112150A0	38	43				B471122000H	38	14
B2613215000	38	38				B47152150A0	50	13
B26132150A0	38	37				B5115210000	70	36
B2617771000	30	53				B5116210000	70	31

NUMERICAL INDEX OF PARTS

PART NO	PAGE	REF NO.	PART NO	PAGE	REF NO.	PART NO	PAGE	REF NO.
B8101221DA0	52	1	CQ200000000	44	25·31	GCT02906000	68	19~21
B8102221DA0	52	2	CQ202000000	44	24·32	GPK26002000	66	10
B8103221DA0	52	3	CQ252200000	20	19	GPK470010AB	66	23
B8110221D00	52	14	CQ252200000	44	26·35	HA000590000	24	19
B8110373N00	52	10	CS0790731SH	40	71	HA00303000A	62	59
B8115215000	52	21	CS079073ASH	16	32	HA00303000A	64	16·17
B8150221D00	52	4	CS080081CSH	22	52	HA004250000	62	60
B8160229000	52	41	CS080081CSH	28	54	HA004250000	64	16·17
B8161220000	52	42	CS080081CSH	30	54	HA004260000	66	2
B8162220000	52	22	CS100081CSP	22	50	HA004580000	48	6
B8163220000	52	43	CS100081CSP	32	35	HD000570000	48	9
B8168215000	52	23	CS1201010SH	20	3	HD00057000A	48	10
B8171223C00	52	24	CS147121ASH	10	18	HD001930000	12	56
B8201221D00	52	15	D1510491D00	16	31	HD001930000	14	56
B8202205000	52	25	D2112555B00	44	36	HF004101000	66	16~20
B8211206000	50	24	D2431555B00	26	26	HF0041050P0	66	16~20
B8267180000	2	21	D2502232D00	52	27	HF0041080P0	66	16~20
B9101221D00	68	1	D2587L8WB00	30	49	HK026650080	60	21
B9101490000	68	12	D2588L8WB00	30	50	HK034610020	24	17
B9101552000	68	13	D3112L4BB00	26	10·14	HK034610040	50	17
B9107761000	76	52	D7133555B00	4	54·63	HK034610100	66	6
B9109555000	68	14~16	D8204555D00	52	28	HK034620020	30	52
B9110012000	68	14~16	E2650453000	32	36	HK034630000	30	51
B9111012000	68	14~16	E2651453000	32	37	HK034640000	24	18
B9113012000	68	17	E8523304000	66	16~20	HK034640000	50	20
B9121012000	52	26	E9567319000	60	20	HK034640000	66	7
B91212200A0	68	18	E9607603000	62	57	HK054250040	60	22
B9140372000	68	19~21	E9613601000	66	16~20	HM000630010	60	23
BP300000000	20	15	EA9500B0100	44	37	HN001490000	62	70
BP300000000	44	27	EA9500B0100	48	8	HN00149000A	62	69
BP600000000	44	20·28	EA9500B0100	50	18	HW200390000	24	20
BT0400251EB	18	57	EA9500B0100	60	56·71~ 73·79	HW500070000	24	21
BT0400251EB	38	63	EA9500B0100	62	56·71~ 73·79	HX00056000B	60	24
BT0400251EB	40	63	EA9500B0100	66	5	HX00065000A	62	56·71~ 73·79
BT0400251EB	50	25	EA9500B0100	66	5	HX00123000A	2	23
BT0600401EB	50	26	EA9500B0200	2	22·28	HX00147000C	60	25
CM200100001	60	18	EA9500B0200	62	56·71~ 73·79	HX00150000C	44	38
CM300100001	60	19·61·62	EA9500B0200	62	73·79	HX00150000D	2	24·25
CM300100101	62	19·61·62	EA9502B0500	66	8	HX00150000D	44	40
CM300200002	4	86·87	G1216870000	14	61	HX00150000F	2	24·25
CM3002000B2	4	86·87	G5151171000	52	29	HX00150000H	2	26
CM300200301	4	88·89	G6705152U0A	62	19·61·62	HX00150000N	2	27
CM3002003A1	4	88·89	G8124270000	50	14	HX002230000	46	57
CM500100001	4	90	GAF01007000	10	17	HX002330000	2	22·28
CQ200000000	20	14	GAT23301000	32	34			

NUMERICAL INDEX OF PARTS

PART NO	PAGE	REF NO.	PART NO	PAGE	REF NO.	PART NO	PAGE	REF NO.
HX002330000	38	30	M86055810A0	64	21	M964051000A	62	58
HX002330000	50	27	M86065800A0	58	3	MAO11532000	62	74
HX00339000D	60	26	M86065800A0	64	38	MC200501000	12	50~53
HX00364000E	38	24	M8607580AA0	62	76	MC200501002	68	22~25
HX004070000	60	27	M8901580BA0A	60	15·16	MC372001100	12	50~53
HX004100000	60	28	M8901580BA0A	64	22·23	MC372001102	68	22~25
J106600000B	68	19~21	M8901581AA0	60	15·16	MDP170B1800	12	50~53
KM000000130	32	38	M8901581AA0	64	22·23	MDP170B1802	68	22~25
M1001581000	62	80	M8910581000	66	11	MDP500B1400	12	50~53
M10025810A0	62	81	M90015810A0	64	1	MDP500B1402	68	22~25
M1003581000	62	82	M90025800A0	64	24	MTJMS00000S	52	30
M1004581000	62	83	M90025810A0	64	2	NM3034000SF	60	29
M1005581000	62	84	M90035810A0	64	3	NM3040520SF	60	55
M1011580000	58	10	M90045810A0	64	6	NM3040520SF	62	55
M1012580000	66	3	M90055800A0	64	25	NM6040003SC	30	55
M1014580000	60	10	M90055810A0	64	12	NM6050001SE	56	17
M10175800A0	58	14	M90065810A0	64	13	NM6050001SP	30	56
M1030580000	58	7	M90075800A0	64	26	NM6060001SC	62	63
M1031580000	58	9	M90075810A0	64	15	NM6060002SE	54	46
M10315800A0	58	8	M90085800A0	64	27	NM6080001SC	6	23
M1032580000	58	11	M90085810A0	64	4·5	NM6080721SE	50	28
M2001580000	60	11	M90095800A0	64	28	NM6100001SC	6	24
M300258000B	60	12·13	M90095810A0	64	4·5	NM6120003SE	52	11
M3003580000	66	14·15	M90105800A0	64	29	NM6160511SE	56	18
M300451100A	66	14·15	M90105810A0	64	36	NS6090310SP	2	30
M300551100A	60	12·13	M90125800A0	58	6	NS6090310SP	24	23
M300558000A	58	4·5	M90125800A0	64	37	NS6110310SP	4	65
M300558000B	58	4·5	M90125810A0	60	8	NS6110310SP	6	25
M8510580AA0	58	1·2	M9012581AA0	60	4	NS6110310SP	16	33
M8510580BA0	58	1·2	M90175800A0	64	7~9	NS6110310SP	24	24
M85105810A0	60	14	M90205800A0	64	30·31	NS6110310SP	26	27
M85205800A0	66	1	M9020580AA0	64	30·31	NS6110310SP	74	23
M85415800A0	58	13	M90215800A0	64	14	NS6110420SP	30	58
M85905130AA	66	21	M90225800A0	64	10·32·33	NS6120310SP	26	39
M85995800A0	66	12·13	M90245800A0	64	7~9	NS6120630SP	30	59
M8599580AA0	66	12·13	M90255800A0	66	24	NS6150310SP	2	31
M8601580CA0	60	1	M90275800A0A	64	10·32·33	NS6150310SP	28	9
M8601580CA0	64	18	M90285800A0	64	7~9	NS6150330SD	40	57
M8602590BA0	62	51	M90295800A0	62	49	NS6660430SP	22	53
M8602590BA0	64	34	M90315800A0	66	22	PA1602509A0	38	9
M86045920B0	60	2·3	M90315900A0	64	35	PA1602510A0	40	60
M86045920B0	64	19·20	M90325800A0	62	77·78	PA1603003A0	18	58
M8604592AB0	60	2·3	M90335800A0	62	77·78	PB000010000	68	26
M8604592AB0	64	19·20	M90345800A0	64	11	PC010508000	18	63
M86055810A0	60	6	M90355800A0	64	10·32·33	PC012401000	40	92

NUMERICAL INDEX OF PARTS

PART NO	PAGE	REF NO.	PART NO	PAGE	REF NO.	PART NO	PAGE	REF NO.
PC012401000	42	92	SD0650321TP	24	29	SL6053592TN	34	50
PF0552040B0	50	15	SD0720321TP	26	29	SL6062092TN	38	32
PF070501000	50	8	SD0790402TP	16	37	SL9061291SE	6	27
PJ032052503	40	62	SD0791271SP	32	85	SL9061293SE	52	12
PJ046052503	18	59	SD0791271SP	34	85	SL9082093SE	50	23
PJ046052503	38	10	SD0800331TH	16	35	SL9082093SE	52	13
PJ301040505	50	9	SD0800341SP	18	56	SM0040601SC	60	47
PJ301060003	50	30	SD0800402TP	16	36	SM0040601SC	62	47
PJ305065202	50	16	SD0801021TP	22	55	SM1044050SM	62	48
PJ308040002	50	31	SD1100301TP	30	62	SM3065052TC	62	66
PJ309520001	68	27	SK1382501SE	52	33	SM4030401SC	6	28
PS0150065KP	6	26	SK3311600SC	52	35	SM4030601SN	24	31
PS0150065KP	38	42	SK3311601SE	52	36	SM4031851SR	60	39
PS0400142KH	10	13	SK3382001SE	62	64	SM4041055SP	34	51
PV150209000	50	10	SK3413201SE	58	15	SM4041801SN	34	52
PV150209100	50	11	SK3452500SC	52	37	SM4051055SP	34	53
PV915005000	50	12	SK3512001SF	62	75	SM4051405SE	56	12
PX500020000	18	60	SL4030681SF	60	50	SM6030602TP	34	54
PX950009000	50	19	SL4030681SF	62	50	SM6030802TP	34	62·87
RC0560711KP	4	81	SL4030891SC	60	35	SM6040602TP	30	63
RE0250000K0	24	25	SL4031091SC	48	12	SM6040602TP	48	16
RE0300000K0	20	18	SL4040681SC	60	36	SM6040802TP	22	67
RE0300000K0	38	82	SL4040881SC	2	33	SM6040802TP	34	91
RE0300000K0	40	82	SL4040881SF	60	34	SM6040802TP	44	41
RE0320000K0	38	36	SL4040881SF	66	9	SM6041002TP	34	59
RE0500000K0	4	71	SL4040891SC	2	92	SM6041202TP	22	66
RE0500000K0	16	34	SL4040891SC	4	92	SM6041202TP	34	61
RE0500000K0	24	26	SL4040891SC	44	43	SM6041402TP	30	64
RE0700000K0	52	32	SL4040891SC	50	21	SM6041402TP	34	62·87
RE0900000K0	22	54	SL4041081SF	60	38	SM6041602TP	34	60
RO092270200	4	80	SL4041091SC	2	41	SM6051802TP	40	47
RO137230100	12	46	SL4041091SC	60	65	SM6060802TP	38	23
S9622710000	60	31	SL4041091SC	62	65	SM6060802TP	70	21
SB108000500	32	40	SL4041281SC	2	42	SM6061202TP	16	40
SB110001300	32	41	SL4041281SF	60	44	SM6061610SC	56	6
SB130000200	32	42	SL4041291SC	14	57	SM6107002TP	6	29
SB130000300	32	43	SL4051081SF	60	45	SM7030450SC	6	30
SB412000100	32	44	SL4051091SC	50	22	SM8040412TP	18	48
SD0500803TP	30	60	SL4061091SC	10	19	SM8050412TP	34	64
SD0530221SP	26	28	SL6040642TN	32	46	SM8050812TP	34	65
SD0600341TP	18	53	SL6040892TN	34	86	SM8050812TP	38	33
SD0640326TP	74	24	SL6040892TN	48	14	SM8060602TP	18	47
SD0640391TP	26	30	SL6041692TN	10	23	SM8060602TP	34	67
SD0640482SP	26	31	SL6041692TN	34	48	SM8060612TP	10	20
SD0650305TP	30	61	SL6052092TN	34	49	SM8060802TP	34	68

NUMERICAL INDEX OF PARTS

PART NO	PAGE	REF NO.	PART NO	PAGE	REF NO.	PART NO	PAGE	REF NO.
SM8060812TP	10	25	SS6111140SP	4	83	SS7151210SP	16	44
SM8060812TP	34	70	SS6111140SP	26	36	SS8090610SP	26	21
SM8061612TP	14	59	SS6111140SP	34	73	SS8110422TP	4	78
SM9041050SC	62	52	SS6111140SP	46	52	SS8110422TP	24	28
SM9061003CP	8	56	SS6120940SP	26	32	SS8110422TP	40	78
SM9061403SC	54	47	SS6121010SP	38	70	SS8110510SP	10	24
SM9087523SE	6	31	SS6121010SP	40	70	SS8111610SP	10	27
SS1060210TP	28	32	SS6121212TP	22	57	SS8120740SP	26	35
SS1060210TP	74	37	SS6150610SP	70	39	SS8150822TP	6	42
SS1090510SP	68	28	SS6151220SP	22	58	SS8150822TP	20	29
SS1110640TP	16	38	SS6151412TP	10	21	SS8150822TP	30	68
SS1110640TP	30	65	SS6151812TP	26	33	SS8150822TP	40	54
SS1110840SP	6	33	SS6681712TP	10	22	SS8151550SP	12	45
SS2110710TP	6	34	SS7060310SP	74	44	SS8660610TP	12	49
SS2111010TP	34	89	SS7080510TP	12	47	SS8660610TP	16	46
SS2111010TP	68	29	SS7090410SP	28	36	SS8660610TP	18	46
SS2111010TP	70	58	SS7090410SP	68	30	SS8661012TP	30	69
SS2111010TP	72	58	SS7090620TP	26	34	SS9110920CP	6	43
SS4090715SP	2	43	SS7090850SP	48	18	SS9121010TP	6	44
SS4110715SP	44	45	SS7090910SP	16	41	SS9151120CP	40	55
SS4110915SP	6	35	SS7090910SP	68	31	SS9151120CP	52	40
SS4111015SP	2	44	SS7091110SP	16	42	SS9661230CP	12	48
SS4111815SP	34	72	SS7110410SP	52	39	ST4031051SN	58	12
SS4120615SP	6	36	SS7110510SP	20	27	ST5041051SN	66	4
SS4120615SP	46	47	SS7110510SP	38	27	TA0750704R0	4	50
SS4120915SP	14	58	SS7110570SP	8	57	TA0850604R0	4	51
SS4120915SP	30	67	SS7110570SP	34	74	TA1050504R0	4	52
SS4120915SP	46	48	SS7110710SP	38	19	TA1050504R0	52	16
SS4150915SP	2	45	SS7110710SP	46	53	TA1250406R0	4	55-64
SS6060220SP	74	17	SS7110710SP	48	19	TA1850805R0	4	57
SS6060410TP	22	56	SS7110740TP	28	34	TA2100904R0	4	58
SS6090420SP	74	19	SS7110740TP	76	46	WP0320500SD	34	75
SS6090440SP	20	12	SS7110840SP	4	47	WP0320501SC	24	32
SS6090620SP	4	82	SS7110840SP	20	28	WP0320501SD	34	76
SS6090620TP	24	27	SS7110840SP	24	36	WP0330501SB	8	45
SS6090630SP	2	46	SS7110840SP	46	56	WP0430800SC	18	51
SS6092120SP	46	51	SS7110840SP	48	24	WP0430800SC	36	93
SS6110430TP	28	35	SS7110910SP	24	37	WP0430800SC	62	53
SS6110430TP	74	45	SS7110910TP	6	39	WP0430800SD	48	20
SS6110510SP	52	38	SS7111110TP	20	30	WP0430801SC	34	82
SS6110520TP	40	85	SS7111120TP	6	41	WP0450000SD	46	54
SS6110610TP	6	38	SS7111410TP	6	40	WP0450000SD	68	32
SS6110610TP	16	39	SS7121110SP	16	43	WP0450801SD	8	47
SS6110610TP	48	17	SS7150910TP	4	48	WP0450801SD	24	38
SS6111052TP	76	51	SS7150910TP	40	56	WP0450801SD	34	79

NUMERICAL INDEX OF PARTS

PART NO	PAGE	REF NO.
WP0450801SD	38	28
WP0450846SP	28	41
WP0450846SP	34	80
WP0450846SP	76	47
WP0482086SD	24	39
WP0482086SD	26	37
WP0482086SD	34	78
WP0501016SC	58	16
WP0501016SD	30	70
WP0501016SD	34	81
WP0501016SD	38	35
WP0520656SA	8	50
WP0611626SP	18	49
WP0611626SP	42	93
WP0611626SP	70	22
WP0641601SC	54	45
WP0650876SD	40	68
WP0650876SD	70	32
WP0651001SC	62	67
WP0651056SD	26	38
WP0651056SD	40	59
WP0704016SP	54	50
WP0820526SD	30	71
WP0820816SD	40	76
WP0820816SD	54	48
WP0841600SE	52	44
WP0851846SC	8	51
WP0871602SE	50	29
WP0952616SD	20	13
WP1052001SC	8	52
WP1702600S0	56	19
WS0310002KR	24	22
WS0310702KS	60	40
WS0410002KN	34	92
WS0510002KN	56	16
WS0610002KN	62	68
WS1020002KN	8	53
WS1643202KR	56	20