

MODEL : AW-2
List No : 1254-07

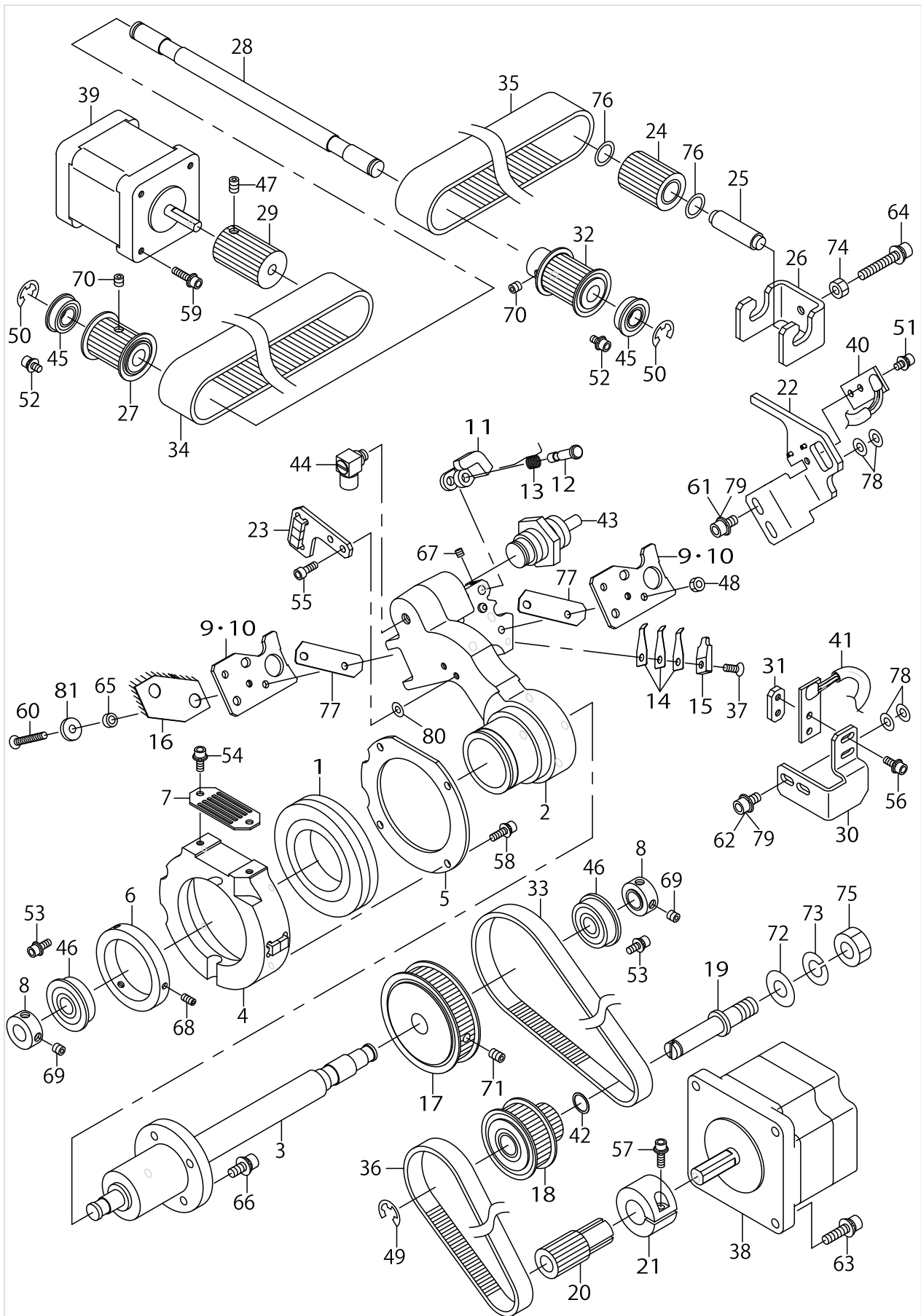
PARTS LIST

Published:05/12/2017

CONTENTS

CONVEY UNIT COMPONENTS	1
UNWINDING UNIT COMPONENTS (FOR AW-2,AW-2A,AW-2C).....	5
UNWINDING UNIT COMPONENTS (FOR AW-2D).....	9
UNTYING UNIT COMPONENTS (FOR AW-2D).....	13
WINDING UNIT COMPONENTS (FOR AW-2,AW-2A,AW-2C).....	15
WINDING UNIT COMPONENTS (FOR AW-2D).....	19
SUPPORT UNIT COMPONENTS.....	23
THREAD MEASURING UNIT COMPONENTS (FOR AW-2,AW-2A,AW-2C).....	27
THREAD MEASURING UNIT COMPONENTS (FOR AW-2D).....	31
HOUSING COMPONENTS (FOR AW-2).....	35
HOUSING COMPONENTS (1) (FOR AW-2A,AW-2C).....	37
HOUSING COMPONENTS (2) (FOR AW-2A,AW-2C).....	39
HOUSING COMPONENTS (1) (FOR AW-2D).....	43
HOUSING COMPONENTS (2) (FOR AW-2D).....	45
ELECTRICAL BOX COMPONENTS (FOR AW-2).....	49
ELECTRICAL BOX COMPONENTS (FOR AW-2A,AW-2C).....	51
ELECTRICAL BOX COMPONENTS (FOR AW-2D).....	55
OPERATION BOX COMPONENTS ANOTHER (FOR AW-2A,AW-2C).....	59
ACCESSORIE PARTS COMPONENTS.....	61
EXCLUSIVE PARTS MACHINE FRAME & TABLE (FOR AW-2A).....	65
EXCLUSIVE PARTS MACHINE FRAME & TABLE (FOR AW-2C).....	67
LIST FOR INFORMATION OF CHANGE.....	69
HOW TO MAKE USE OF THIS PARTS LIST.....	70

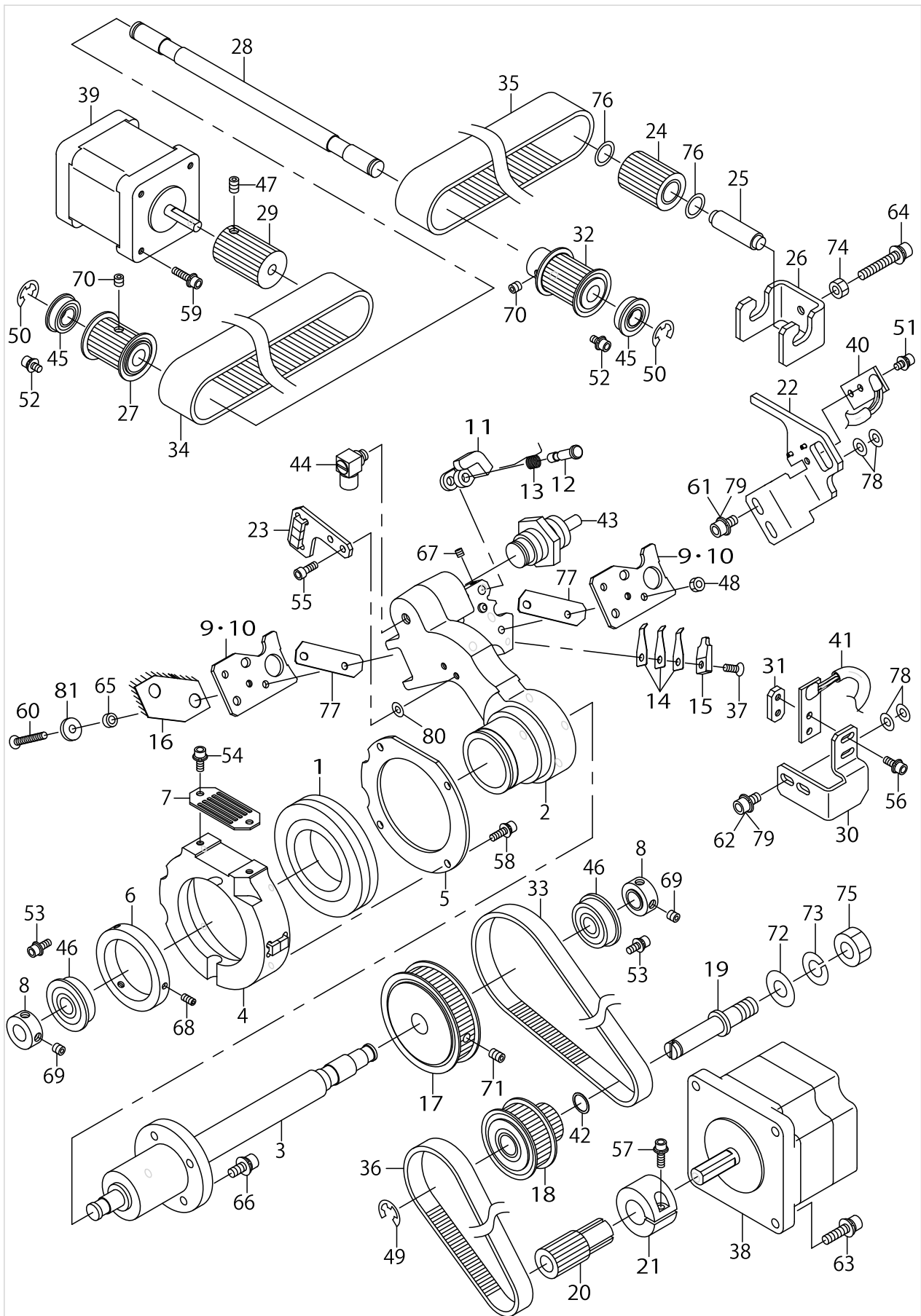
CONVEY UNIT COMPONENTS



CONVEY UNIT COMPONENTS

No.	Supply Code	Parts No.	Replacement	Parts name	Remarks	Choice	Step	Level	Cons	Qty	Rep. QTY
1		SB230000100		BEARING						1	
2		GAW021010A0		CONVEY ARM ASM.						1	
3		GAW02102000		CONVEY SHAFT						1	
4		GAW021030A0		CONVEY RING ASM.						1	
5		GAW02104000		CONVEY RING PLATE						1	
6		GAW02105000		CONVEY RING COLLAR						1	
7		GAW02106000		CONVEY BELT PLATE						1	
8		GAW02107000		CONVEY SHAFT COLLAR						1	
9		GAW02111000		CHUCK BASE PLATE 17	FOR AW-2,AW-2D					2	
10		GAW02701000		CHUCK BASE PLATE 10	FOR AW-2A,AW-2C					2	
11		GAW02112000		CHUCK NEIL						1	
12		GAW02113000		CHUCK NEIL SHAFT						1	
13		GAW02114000		CHUCK NEIL SPRING						1	
14		GAW02115000		CHUCK STOPPER						3	
15		GAW02116000		CHUCK STOPPER SUPPORT						1	
16		GAW02118000		THREAD HOLDER	FOR AW-2,- AW-2A,AW-2C					1	
17		GAW02121000		PULLEY						1	
18		GAW021220A0		IDLER PULLEY ASM.						1	
19	D	GAW02123000		ROTATING IDLER SHAFT						1	
20		GAW02124000		ROTATING MOTOR PULLEY						1	
21		GAW02125000		ROTATING PULLEY COLLAR						1	
22		GAW021260A0		ROTATING SENSOR PLATE ASM.						1	
23		GAW021270A0		ROTATING MG HOLDER ASM.						1	
24		GAW021310A0		HORIZONTAL FEED PULLEY ASM.						1	
25		GAW02132000		HORIZONTAL FEED PULLEY						1	
26		GAW02133000		HORIZONTAL FEED PULLEY PLATE						1	
27		GAW02134000		HORIZONTAL FEED IDLER PULLEY						1	
28		GAW02135000		HORIZONTAL FEED IDLER SHAFT						1	
29		GAW02136000		HORIZONTAL FEED MOTOR PULLEY						1	
30		GAW02137000		HORIZONTAL FEED SENSOR PLATE						1	
31	D	GAW02138000		HORIZONTAL FEED SCREW PLATE						1	
32		GAW02140000		HORIZONTAL FEED IDLER PULLEY F						1	
33		GAW02601000		TIMING BELT						1	
34		GAW02605000		TIMING BELT						1	
35		GAW02606000		TIMING BELT						1	
36		GAW02607000		TIMING BELT						1	
37		GAW02621000		SCREW						1	
38		GAW02851000		ROTATING MOTOR						1	
39		GAW02852000		HORIZONTAL FEED MOTOR						1	
40		GAW028610A0		ROTATING SENSOR ASM.						1	
41		GAW028620A0		HORIZONTAL FEED SENSOR ASM.						1	
42		GAW01507000		SPACER						1	
43		PA1001026A0		PIN CYLINDER						1	
44		PJ046052503		HOSE ELBOW						1	

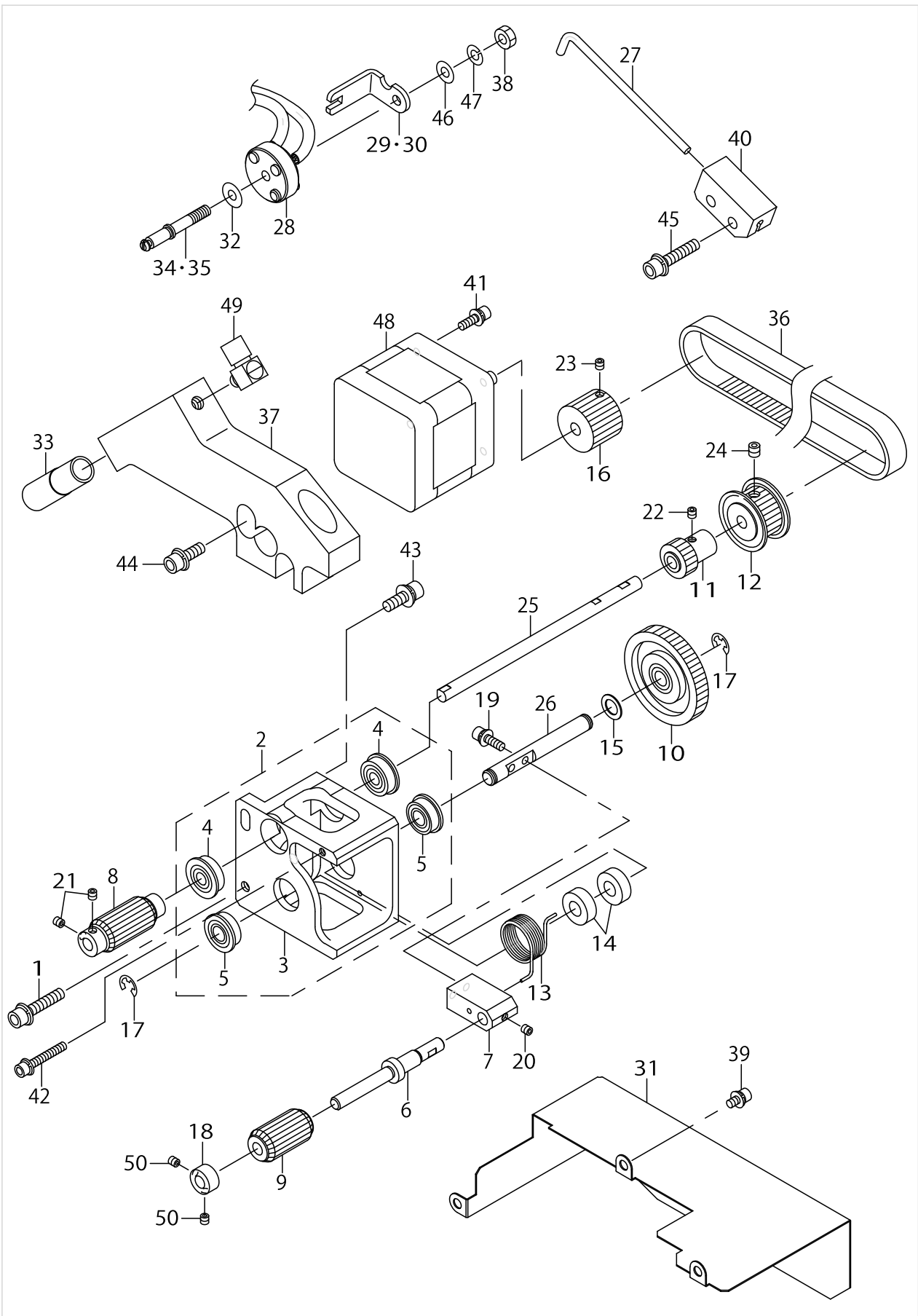
CONVEY UNIT COMPONENTS



CONVEY UNIT COMPONENTS

No.	Supply Code	Parts No.	Replacement	Parts name	Remarks	Choice	Step	Level	Cons	Qty	Rep. QTY
45		SB108000200		SIDE BEARING						2	
46		SB108000500		RADIAL BEARING						2	
47		SM8040612TP		SCREW M4 L=6						2	
48		NM6030002SC		NUT M3						2	
49		RE0600000K0		E-RING 6						1	
50		RE0600000K0		E-RING 6						2	
51		SL6030692TN		BOLT						1	
52		SM6030602TN		HEX SCREW M3 X 6						2	
53		SM6030602TN		HEX SCREW M3 X 6						4	
54		SL6030892TN		SCREW						2	
55		SL6030892TN		SCREW						2	
56		SL6030892TN		SCREW						2	
57		SL6031042TN		SCREW						1	
58		SL6031092TN		SCREW						4	
59		SL6031292TN		BOLT						3	
60		SM1032001SC		SCREW M3X0.5 L=20						2	
61		SL6041092TN		SCREW	FOR AW-2,- AW-2A,AW-2C					2	
62		SL6040892TN		BOLT	FOR AW-2,- AW-2A,AW-2C					2	
63		SL6041692TN		SCREW						4	
64		SL6042592TN		SCREW						1	
65		G5841830000		SPACER	FOR AW-2,- AW-2A,AW-2C					1	
66		SL6041042TN		BOLT						4	
67		SM8030302TP		SCREW M3X0.5 L=3						2	
68		SM8030602TP		SCREW M3X0.5 L=6						3	
69		SM8040402TP		SCREW M4X0.7 L=4						2	
70		SM8040402TP		SCREW M4X0.7 L=4						4	
71		SM8050812TP		SCREW M5X8						2	
72		WP0841601SC		WASHER 8.4X17.4X1.6						1	
73		WS0820002KN		SPRING WASHER M8						1	
74		NM6040002SE		NUT M4X0.7						2	
75		NM6080002SC		NUT M8						1	
76		GAW02139000		HORIZONTAL FEED SPACER						2	
77		40032693		CHUCK_BASE_SPACER	FOR AW-2D					2	
78		WP0430801SC		WASHER 4.3X9X0.8	FOR AW-2D					4	
79		SL6041292TN		SCREW	FOR AW-2D					2	
80		WP0320501SC		WASHER M3						2	
81	D	18222901		WASHER A						2	

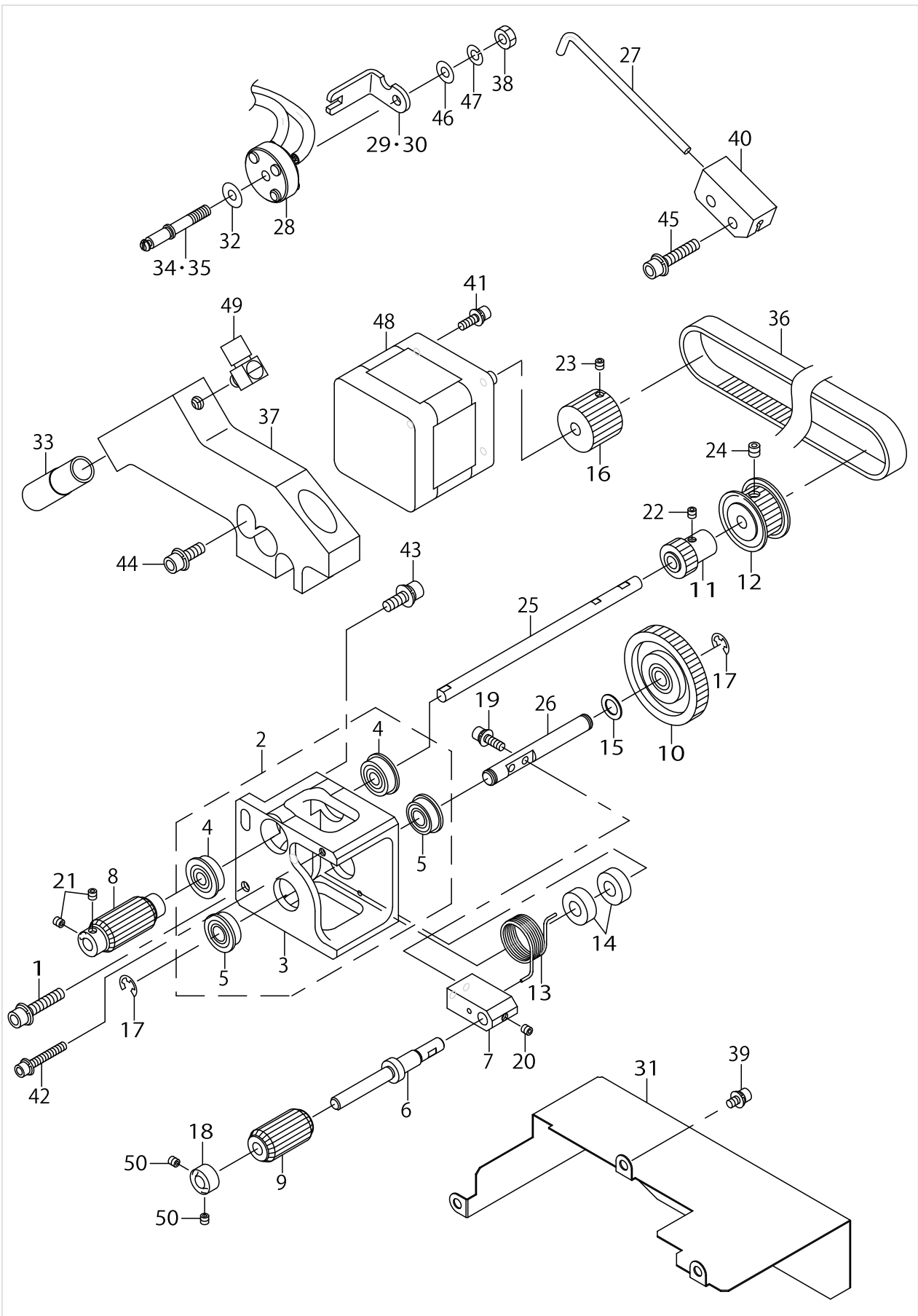
UNWINDING UNIT COMPONENTS (FOR AW-2,AW-2A,AW-2C)



UNWINDING UNIT COMPONENTS (FOR AW-2,AW-2A,AW-2C)

No.	Supply Code	Parts No.	Replacement	Parts name	Remarks	Choice	Step	Level	Cons	Qty	Rep. QTY
1		SL6042092TN		SCREW M4 L=20						1	
2		GAW022010A0		ZA FRAME ASM.						1	
3		GAW02201000		ZA FRAME				*		1	
4		SB105001500		BEARING				*		2	
5		SB106000900		BEARING				*		2	
6		GAW02204A00		UNWINDING DRIVEN SHAFT						1	
7		GAW02205000		ZA ARM						1	
8		GAW02206000A		ZA DRIVE GEAR						1	
9		GAW02207000A		ZA IDLER GEAR						1	
10		GAW022080A0		ZA ARM GEAR L ASM.						1	
11		GAW02209000		ZA ARM GEAR S						1	
12		GAW02210000		ZA PULLEY M						1	
13		GAW02211000		ZA SPRING						1	
14	R	13507405	26217505	ROLLER						2	1.00
15	R	13507504	26217604	WASHER						1	1.00
16		GAW01309000		WINDING MOTOR PULLEY						1	
17		RE0400000K0		E-RING 4						2	
18		GAW02213000		UNWINDING THRUST COLLAR						1	
19		SL6031092TN		SCREW						2	
20		SM8030312TP		SCREW M3 L=3						1	
21		SM8030312TP		SCREW M3 L=3						2	
22		SM8030312TP		SCREW M3 L=3						2	
23		SM8030302TP		SCREW M3X0.5 L=3						2	
24		SM8040412TP		SET SCREW M4 L=4						2	
25		GAW02202A00		UNWINDING DRIVE SHAFT						1	
26		GAW02203000		ZA SHAFT M						1	
27		GAW02223000		ZA PIPE H						1	
28		GAW022260A0		ZA HOLDER ASM.						1	
29		GAW02227000		ZA HOLDER BK	FOR AW-2					1	
30		GAW02705000		ZA HOLDER BK(1)	FOR AW-2A,AW-2C					1	
31		GAW02228000		ZA BELT COVER						1	
32		GAW02229000		ZA HOLDER SPACER						1	
33		GAW02230000		ZA PIPE D						1	
34		GAW02403000		DUMMY SHAFT 17	FOR AW-2					1	
35	D	GAW02703000		DUMMY SHAFT 10	FOR AW-2A,AW-2C					1	
36		GAW02604000		TIMING BELT						1	
37		GAW02221000		ZA DIFFUSER						1	
38		NM6040001SC		NUT M4						1	
39		SL6030692TN		BOLT						3	
40		GAW02222000		ZA PIPE HOLDER						1	
41		SL6031092TN		SCREW						3	
42		SL6032092TN		BOLT						1	
43		SL6041292TN		SCREW						1	
44		SL6041292TN		SCREW						2	
45		SL6042092TN		SCREW M4 L=20						2	
46		WP0430801SC		WASHER 4.3X9X0.8						1	

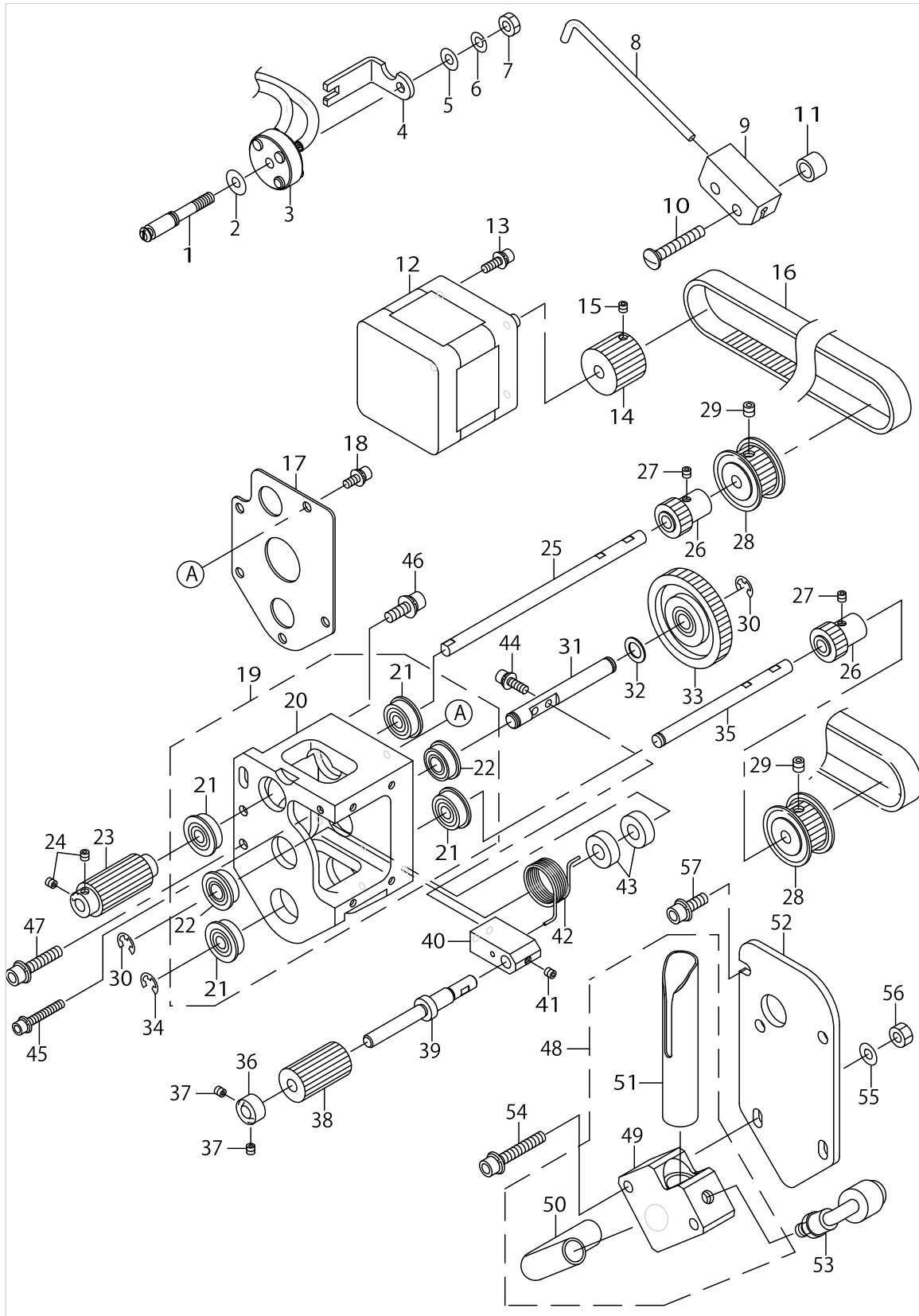
UNWINDING UNIT COMPONENTS (FOR AW-2,AW-2A,AW-2C)



UNWINDING UNIT COMPONENTS (FOR AW-2,AW-2A,AW-2C)

No.	Supply Code	Parts No.	Replacement	Parts name	Remarks	Choice	Step	Level	Cons	Qty	Rep. QTY
47		WS0411002KN		SPRING WASHER						1	
48		GAW02855000		UNWINDING MOTOR						1	
49		PJ046054002		HOSE ELBOW						1	
50		SM8030312TP		SCREW M3 L=3						2	

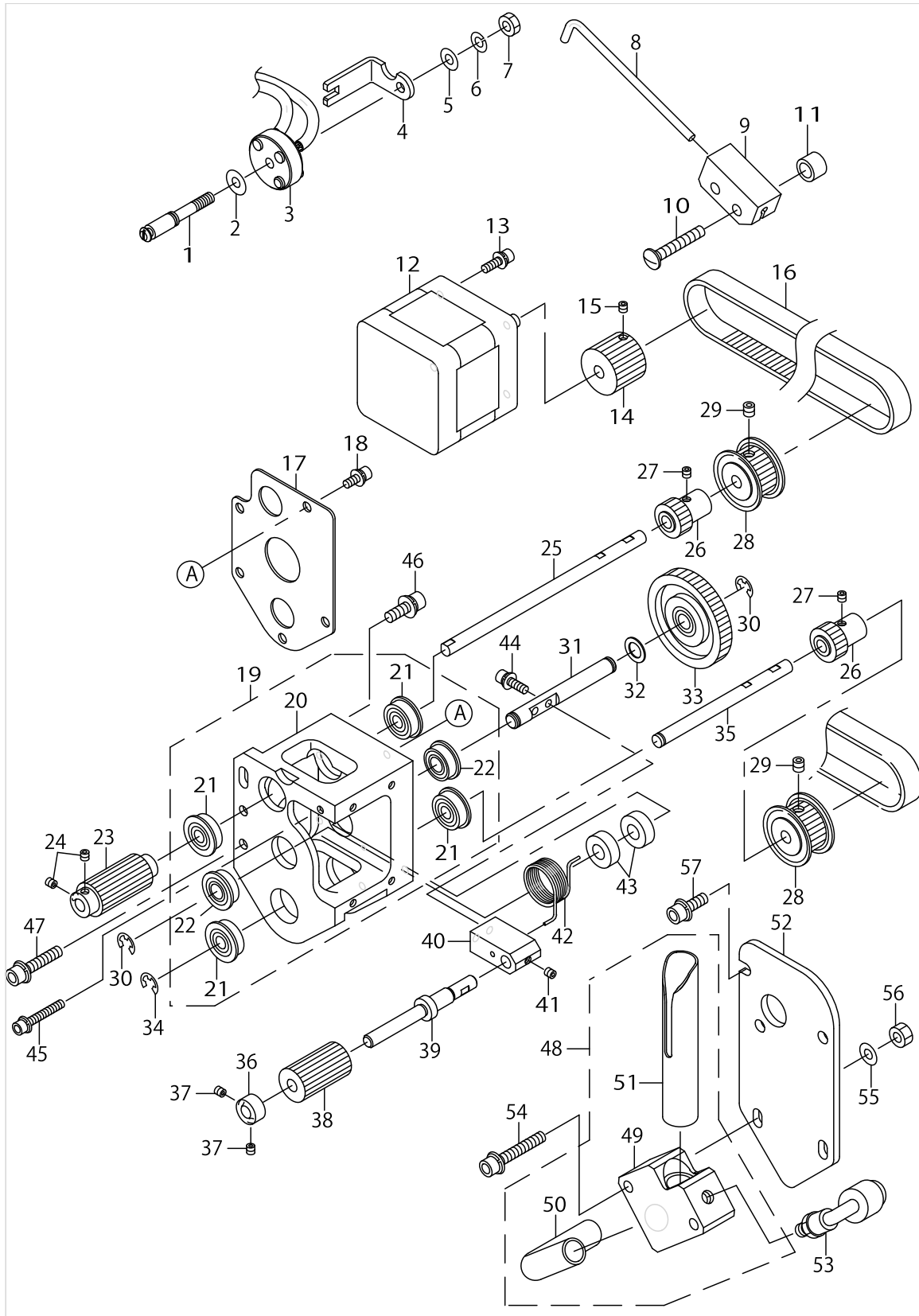
UNWINDING UNIT COMPONENTS (FOR AW-2D)



UNWINDING UNIT COMPONENTS (FOR AW-2D)

No.	Supply Code	Parts No.	Replacement	Parts name	Remarks	Choice	Step	Level	Cons	Qty	Rep. QTY
1		GAW02403A00		DUMMY SHAFT 30						1	
2		GAW02229000		ZA HOLDER SPACER						1	
3		GAW022260A0		ZA HOLDER ASM.						1	
4		GAW02227A00		UNWINDING HOLDER BK(3)						1	
5		WP0430801SC		WASHER 4.3X9X0.8						1	
6		WS0410002KN		SPRING WASHER						1	
7		NM6040001SC		NUT M4						1	
8		GAW02223000		ZA PIPE H						1	
9		GAW02222000		ZA PIPE HOLDER						1	
10		SM0042501SN		SCREW						2	
11		B1513210000		CLOTH PRESSER M-AGNET SPACER						2	
12		GAW02855000		UNWINDING MOTOR						1	
13		SL6031092TN		SCREW						3	
14		GAW01309000		WINDING MOTOR PULLEY						1	
15		SM8030302TP		SCREW M3X0.5 L=3						2	
16		GAW02604000		TIMING BELT						1	
17		GAW02212000		UNWINDING FRAME COVER						1	
18		SL6030892TN		SCREW						5	
19		GAW02201AA0		UNWINDING FRAME ASM.						1	
20		GAW02201A00		UNWINDING FRAME				*		1	
21		SB105001500		BEARING				*		4	
22		SB106000900		BEARING				*		2	
23		40032715		DRIVE_GEAR_A						1	
24		SM8030312TP		SCREW M3 L=3						2	
25		GAW02202A00		UNWINDING DRIVE SHAFT						1	
26		GAW02209000		ZA ARM GEAR S						2	
27		SM8030312TP		SCREW M3 L=3						4	
28		GAW02210000		ZA PULLEY M						2	
29		SM8040412TP		SET SCREW M4 L=4						4	
30		RE0400000K0		E-RING 4						2	
31		GAW02203000		ZA SHAFT M						1	
32	R	13507504	26217604	WASHER						1	1.00
33		GAW022080A0		ZA ARM GEAR L ASM.						1	
34		RE0400000K0		E-RING 4						1	
35		GAW02244000		UN-TYING TRANSMISSION SHAFT						1	
36		GAW02213000		UNWINDING THRUST COLLAR						1	
37		SM8030312TP		SCREW M3 L=3						2	
38		40032716		DRIVEN_GEAR_A						1	
39		GAW02204A00		UNWINDING DRIVEN SHAFT						1	
40		GAW02205000		ZA ARM						1	
41		SM8030312TP		SCREW M3 L=3						1	
42		GAW02211A00		UNWINDINGSRINGH						1	
43	R	13507405	26217505	ROLLER						2	1.00
44		SL6031092TN		SCREW						2	
45		SL6032092TN		BOLT						1	
46		SL6041292TN		SCREW						1	

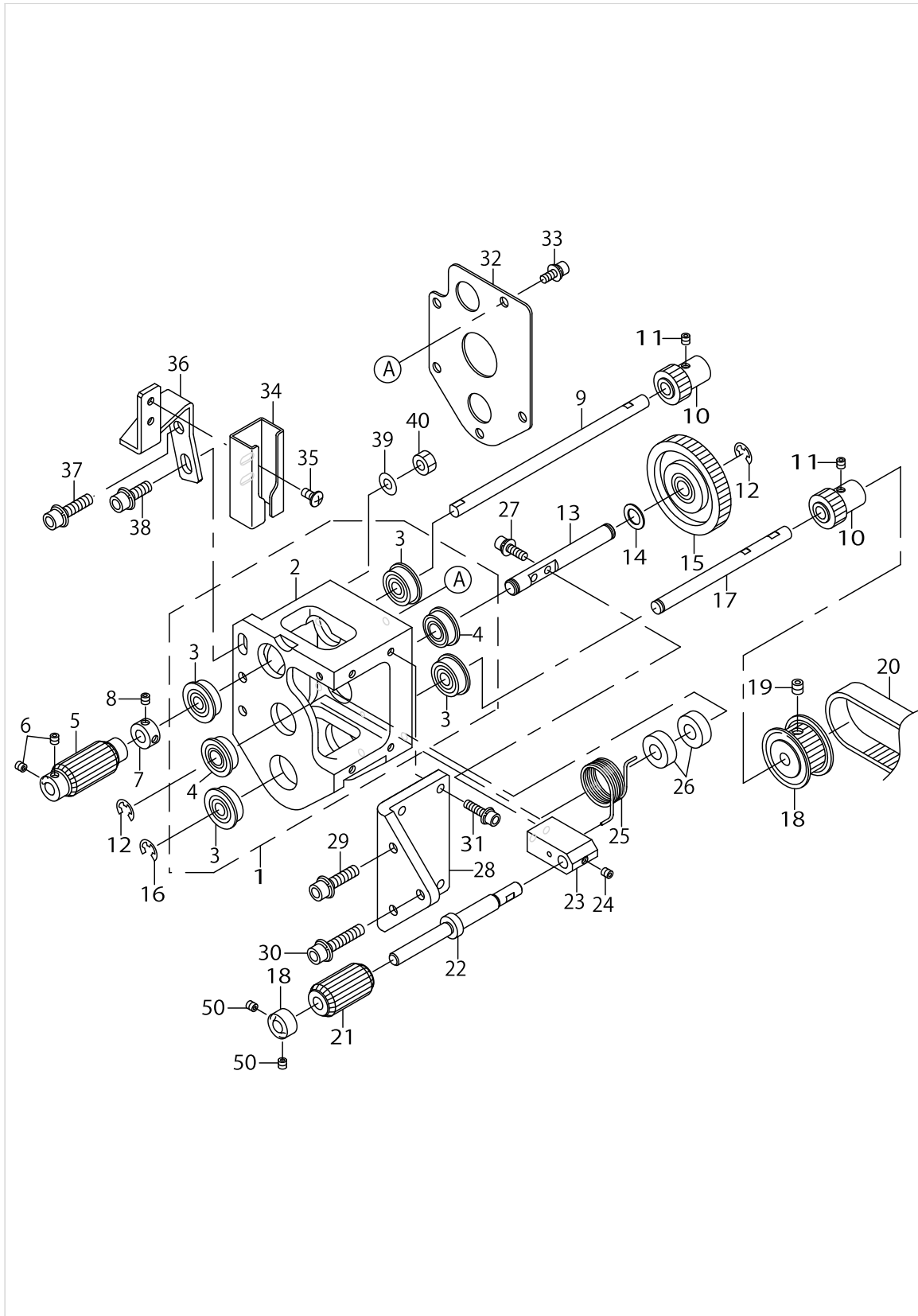
UNWINDING UNIT COMPONENTS (FOR AW-2D)



UNWINDING UNIT COMPONENTS (FOR AW-2D)

No.	Supply Code	Parts No.	Replacement	Parts name	Remarks	Choice	Step	Level	Cons	Qty	Rep. QTY
47		SL6042092TN		SCREW M4 L=20						1	
48	D	GAW02221AA0		UNWINDING DIFFUSER ASM.						1	
49		GAW02221A00		UNWINDING DIFFUSER				*		1	
50		GAW02230000		ZA PIPE D				*		1	
51		GAW02232000		UNWINDING DIFFUSER NOZZLE				*		1	
52		GAW02231000		UNWINDING DIFFUSER PLATE						1	
53		PJ304060502		ELBOW UNION 6XM5						1	
54		SL6042592TN		SCREW						2	
55		WP0430801SC		WASHER 4.3X9X0.8						2	
56		NM6040001SC		NUT M4						2	
57		SL6041292TN		SCREW						3	

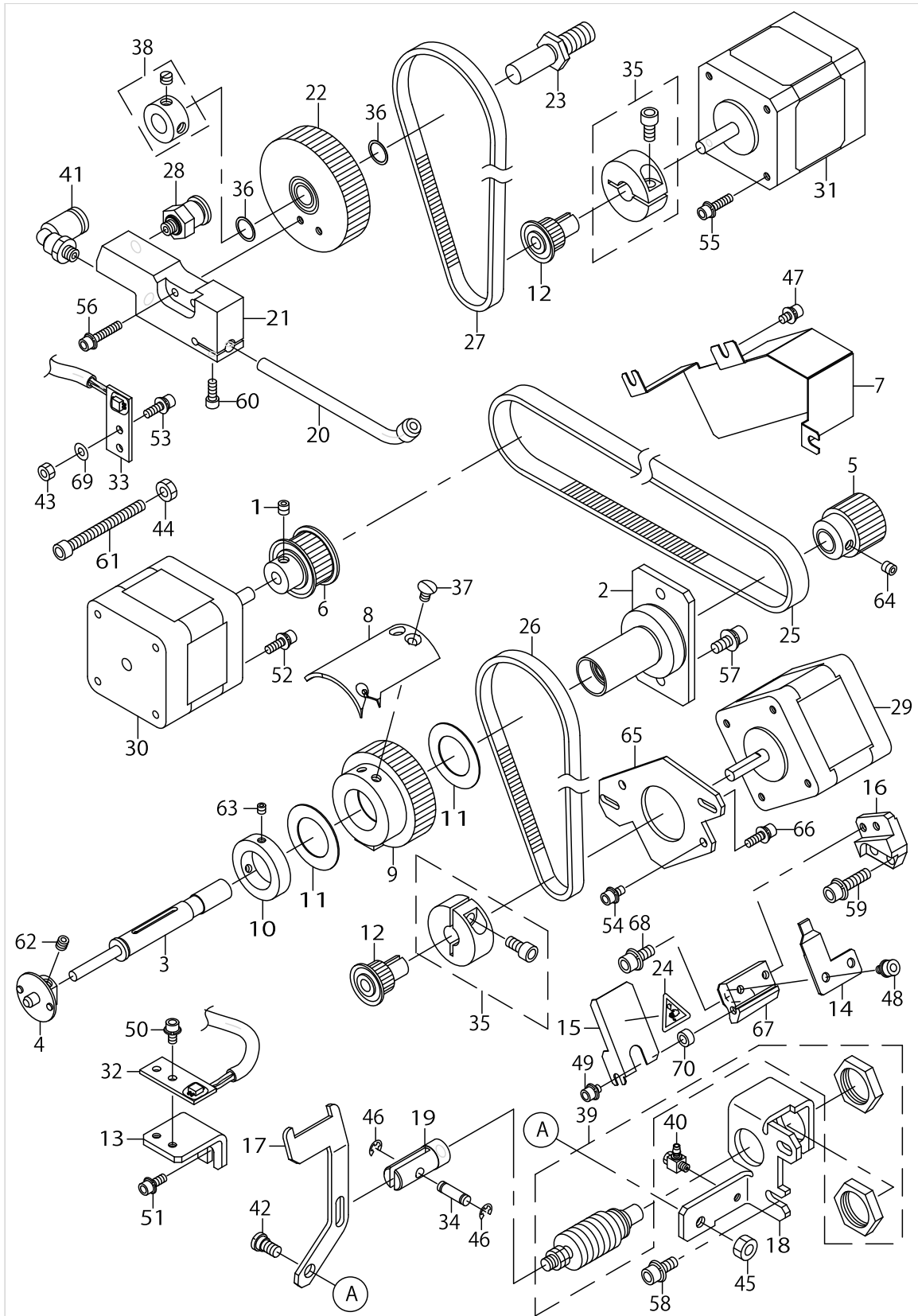
UNTYING UNIT COMPONENTS (FOR AW-2D)



UNTYING UNIT COMPONENTS (FOR AW-2D)

No.	Supply Code	Parts No.	Replacement	Parts name	Remarks	Choice	Step	Level	Cons	Qty	Rep. QTY
1		GAW02201AA0		UNWINDING FRAME ASM.						1	
2		GAW02201A00		UNWINDING FRAME				*		1	
3		SB105001500		BEARING				*		4	
4		SB106000900		BEARING				*		2	
5		GAW02245000		DRIVE GEAR						1	
6		SM8030312TP		SCREW M3 L=3						2	
7		GAW02213000		UNWINDING THRUST COLLAR						2	
8		SM8030312TP		SCREW M3 L=3						4	
9		GAW02242000		UN-TYING DRIVE SHAFT						1	
10		GAW02209000		ZA ARM GEAR S						2	
11		SM8030312TP		SCREW M3 L=3						4	
12		RE0400000K0		E-RING 4						2	
13		GAW02203000		ZA SHAFT M						1	
14	R	13507504	26217604	WASHER						1	1.00
15		GAW022080A0		ZA ARM GEAR L ASM.						1	
16		RE0400000K0		E-RING 4						1	
17		GAW02244000		UN-TYING TRANSMISSION SHAFT						1	
18		GAW02210000		ZA PULLEY M						1	
19		SM8040412TP		SET SCREW M4 L=4						2	
20		GAW02608000		TIMING BELT						1	
21		GAW02246000		DRIVEN GEAR						1	
22		GAW02243000		UN-TYING DRIVEN SHAFT						1	
23		GAW02205000		ZA ARM						1	
24		SM8030312TP		SCREW M3 L=3						1	
25		GAW02211000		ZA SPRING						1	
26	R	13507405	26217505	ROLLER						2	1.00
27		SL6031092TN		SCREW						2	
28	D	GAW02241000		UN-TYING FRAME PLATE						1	
29		SL6041692TN		SCREW						2	
30		SL6042092TN		SCREW M4 L=20						1	
31		SL6031292TN		BOLT						4	
32		GAW02212000		UNWINDING FRAME COVER						1	
33		SL6030892TN		SCREW						5	
34		GAW02247000		UN-TYING GEAR GUIDE						1	
35		SM0030601SC		SCREW M3X0.5 L=6						2	
36		GAW02248000		UN-TYING GEAR GUIDE BK						1	
37		SL6041692TN		SCREW						1	
38		SL6041292TN		SCREW						1	
39		WP0430801SC		WASHER 4.3X9X0.8						1	
40		NM6040001SC		NUT M4						1	
41		GAW02213000		UNWINDING THRUST COLLAR						1	
42		SM8030312TP		SCREW M3 L=3						2	

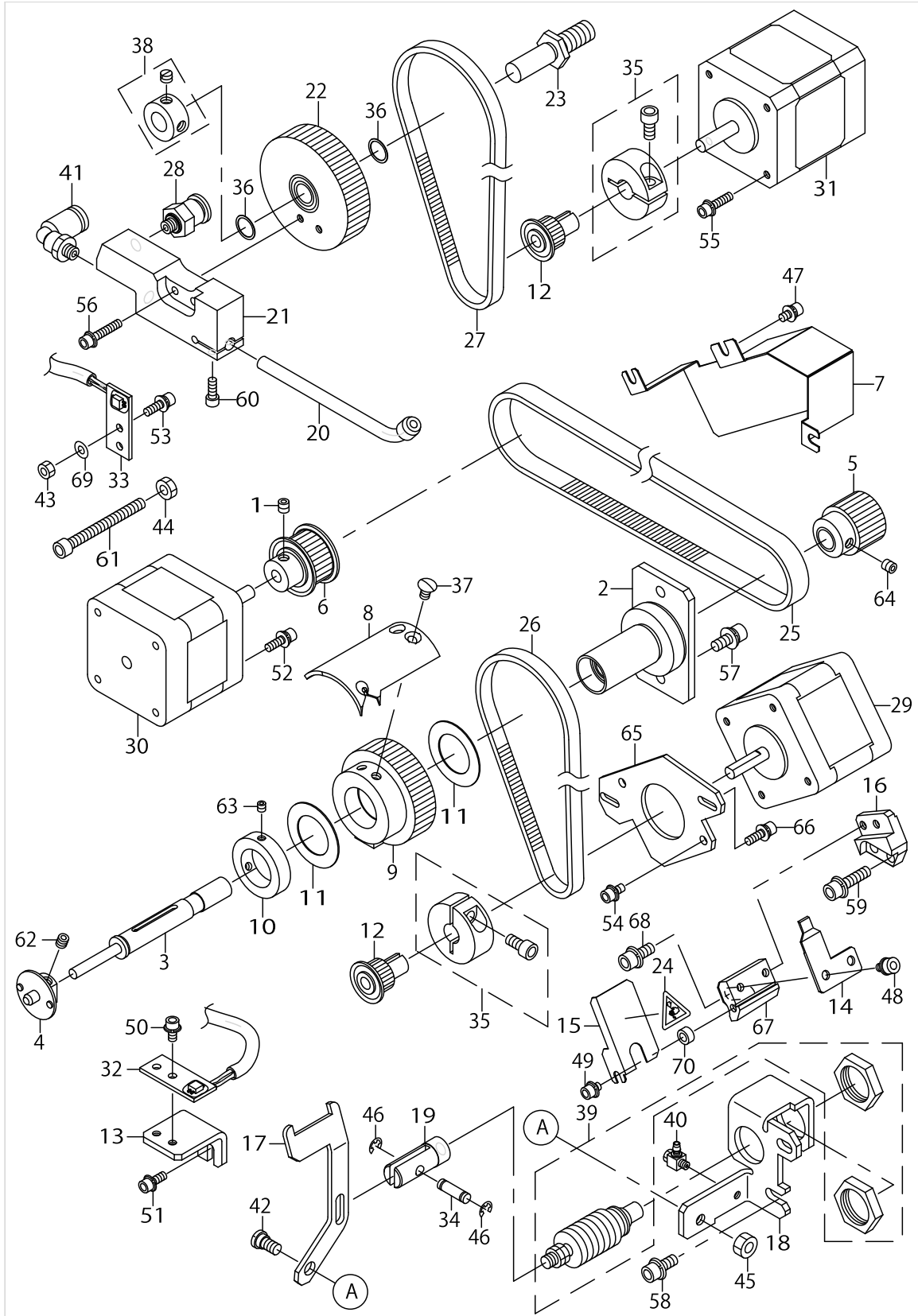
WINDING UNIT COMPONENTS (FOR AW-2,AW-2A,AW-2C)



WINDING UNIT COMPONENTS (FOR AW-2,AW-2A,AW-2C)

No.	Supply Code	Parts No.	Replacement	Parts name	Remarks	Choice	Step	Level	Cons	Qty	Rep. QTY
1		SM8040402TP		SCREW M4X0.7 L=4						2	
2		GAW023010B0		WINDING BASE COMPL.						1	
3		GAW023020A0		WINDING SLEEVE ASM.						1	
4		GAW023050A0		WINDING CLUTCH ASM.						1	
5		GAW02308000		WINDING PULLEY						1	
6		GAW02309000		WINDING MOTOR PULLEY						1	
7		GAW02310000		WINDING BELT COVER						1	
8		GAW02321000		THREAD BRACKET KNIFE						1	
9		GAW023220A0		THREADING PULLEY ASM.						1	
10		GAW02323000		THREADING COLLAR						1	
11		GAW02324000		RING BUSH						2	
12		GAW02325000		THREADING MOTOR PULLEY						2	
13		GAW02326000		THREADING SENSOR BRACKET						1	
14		GAW02327A00		COUNTER KNIFE						1	
15		GAW02328A00		COUNTER KNIFE COVER						1	
16		GAW02331000		COUNTER KNIFE BASE						1	
17		GAW02341000		THREADING WIPER						1	
18		GAW02342000		THREADING WIPER BKT						1	
19		GAW02343000A		THREADING WIPER JOINT						1	
20		GAW023510A0		NOZZLE ASM.						1	
21		GAW02352000		NOZZLE VACUUM						1	
22		GAW023530A0		NOZZLEPULLEYASM.						1	
23		GAW02354000		NOZZLE SHAFT						1	
24		CM300200001		ATTENTION SEAL						1	
25		GAW02601000		TIMING BELT						1	
26		GAW02603000		TIMING BELT						1	
27		GAW02602000		TIMING BELT						1	
28		GAW02613000		UNION						1	
29		GAW02853000		MOVING KNIFE MOTOR						1	
30		GAW02854000		WINDING MOTOR						1	
31		GAW02856000		NOZZLE MOTOR						1	
32		GAW028630A0		MOVING KNIFE SENSOR ASM.						1	
33		GAW028640A0		NOZZLE SENSOR ASM.						1	
34		11301405		PIN						1	
35		E2131172000		PC CENTER COLLAR						2	
36		GAW01507000		SPACER						2	
37	R	SS2090640TP	SS2090620SP	SCREW						2	1.00
38		CS080081ASH		THRUST HOLDER ASM. D=8 W=8						1	
39		PA1001027A0		PIN CYLINDER						1	
40		PJ046039001		ELBOW						1	
41		PJ304040504		ELBOW UNION						1	
42		SD0550211SP		HINGE SCREW						1	
43		NM6030003SC		NUT M3						2	
44		NM6040001SC		NUT M4						1	
45		NS6110350SP		NUT 11/64-40						1	
46		RE0300000K0		E-RING 3						2	

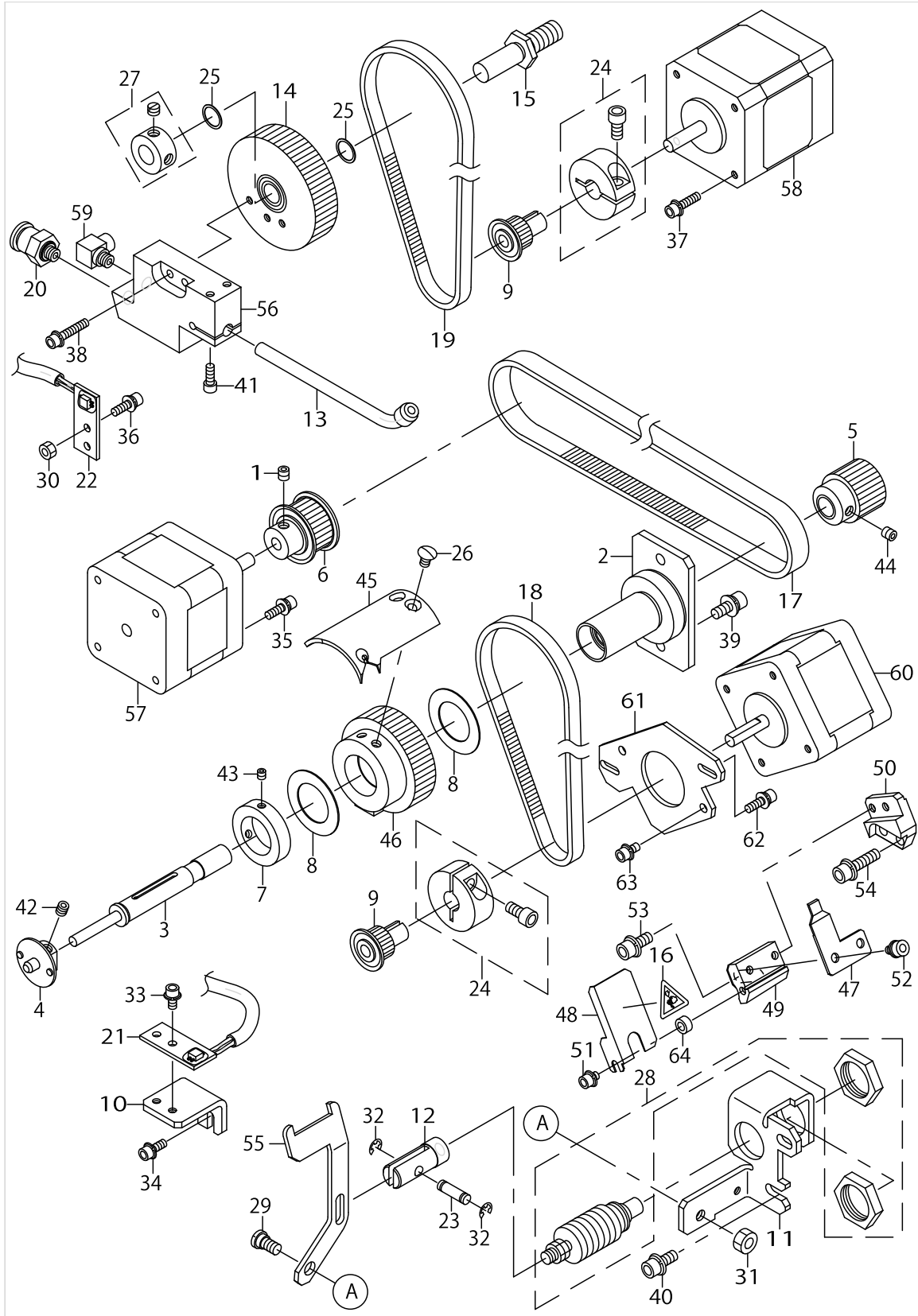
WINDING UNIT COMPONENTS (FOR AW-2,AW-2A,AW-2C)



WINDING UNIT COMPONENTS (FOR AW-2,AW-2A,AW-2C)

No.	Supply Code	Parts No.	Replacement	Parts name	Remarks	Choice	Step	Level	Cons	Qty	Rep. QTY
47		SL6030692TN		BOLT						3	
48		SL6030692TN		BOLT						2	
49		SL6031092TN		SCREW						1	
50		SL6030692TN		BOLT						2	
51		SL6030892TN		SCREW						2	
52		SL6031092TN		SCREW						3	
53		SL6031092TN		SCREW						2	
54		SL6030692TN		BOLT						2	
55		SL6031292TN		BOLT						3	
56		SL6031642TN		SCREW						2	
57		SL6041092TN		SCREW						2	
58		SL6041092TN		SCREW						2	
59		SL6041692TN		SCREW						2	
60		SM6030802TN		BOLT						2	
61		SM6044002TP		SCREW						1	
62		SM8040412TP		SET SCREW M4 L=4						2	
63		SM8030302TP		SCREW M3X0.5 L=3						2	
64		SM8040402TP		SCREW M4X0.7 L=4						2	
65		GAW02330000		THREADING MOTOR BRACKET						1	
66		SL6030892TN		SCREW						2	
67		GAW02332000		COUNTER KNIFE HOLDER						1	
68		SL6041092TN		SCREW						2	
69		WP0320501SC		WASHER M3						2	
70		GAW01506000		SPACER						1	

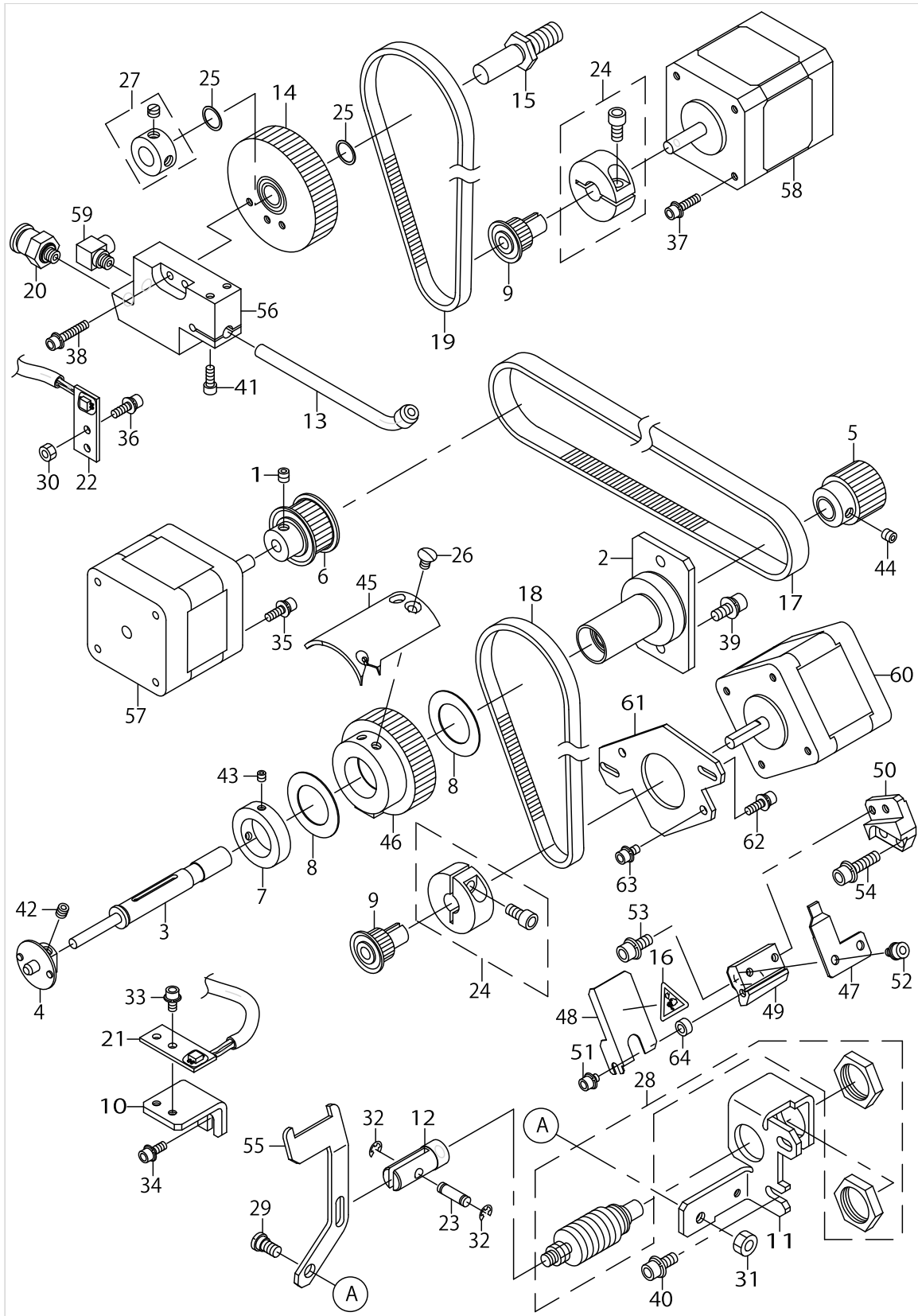
WINDING UNIT COMPONENTS (FOR AW-2D)



WINDING UNIT COMPONENTS (FOR AW-2D)

No.	Supply Code	Parts No.	Replacement	Parts name	Remarks	Choice	Step	Level	Cons	Qty	Rep. QTY
1		SM8040402TP		SCREW M4X0.7 L=4						2	
2		GAW023010B0		WINDING BASE COMPL.						1	
3		GAW023020A0		WINDING SLEEVE ASM.						1	
4		GAW023050A0		WINDING CLUTCH ASM.						1	
5		GAW02308000		WINDING PULLEY						1	
6		GAW02309000		WINDING MOTOR PULLEY						1	
7		GAW02323000		THREADING COLLAR						1	
8		GAW02324000		RING BUSH						2	
9		GAW02325000		THREADING MOTOR PULLEY						2	
10		GAW02326000		THREADING SENSOR BRACKET						1	
11		GAW02342000		THREADING WIPER BKT						1	
12		GAW02343000A		THREADING WIPER JOINT						1	
13		GAW023510A0		NOZZLE ASM.						1	
14		GAW023530A0		NOZZLEPULLEYASM.						1	
15		GAW02354000		NOZZLE SHAFT						1	
16		CM300200001		ATTENTION SEAL						1	
17		GAW02601000		TIMING BELT						1	
18		GAW02603000		TIMING BELT						1	
19		GAW02602000		TIMING BELT						1	
20		GAW02613000		UNION						1	
21		GAW028630A0		MOVING KNIFE SENSOR ASM.						1	
22		GAW028640A0		NOZZLE SENSOR ASM.						1	
23		11301405		PIN						1	
24		E2131172000		PC CENTER COLLAR						2	
25		GAW01507000		SPACER						2	
26	R	SS2090640TP	SS2090620SP	SCREW						2	1.00
27		CS080081ASH		THRUST HOLDER ASM. D=8 W=8						1	
28		PA1001027A0		PIN CYLINDER						1	
29		SD0550211SP		HINGE SCREW						1	
30		NM6030003SC		NUT M3						2	
31		NS6110350SP		NUT 11/64-40						1	
32		RE0300000K0		E-RING 3						2	
33		SL6030692TN		BOLT						2	
34		SL6030892TN		SCREW						2	
35		SL6031092TN		SCREW						3	
36		SL6031092TN		SCREW						2	
37		SL6031292TN		BOLT						3	
38		SL6031642TN		SCREW						2	
39		SL6041092TN		SCREW						2	
40		SL6041092TN		SCREW						2	
41		SM6030802TN		BOLT						2	
42		SM8040412TP		SET SCREW M4 L=4						2	
43		SM8030302TP		SCREW M3X0.5 L=3						2	
44		SM8040402TP		SCREW M4X0.7 L=4						2	
45		GAW02321A00		THREADING KNIFE 20						1	
46		GAW02322AA0		THREADING PULLEY 20 ASM.						1	

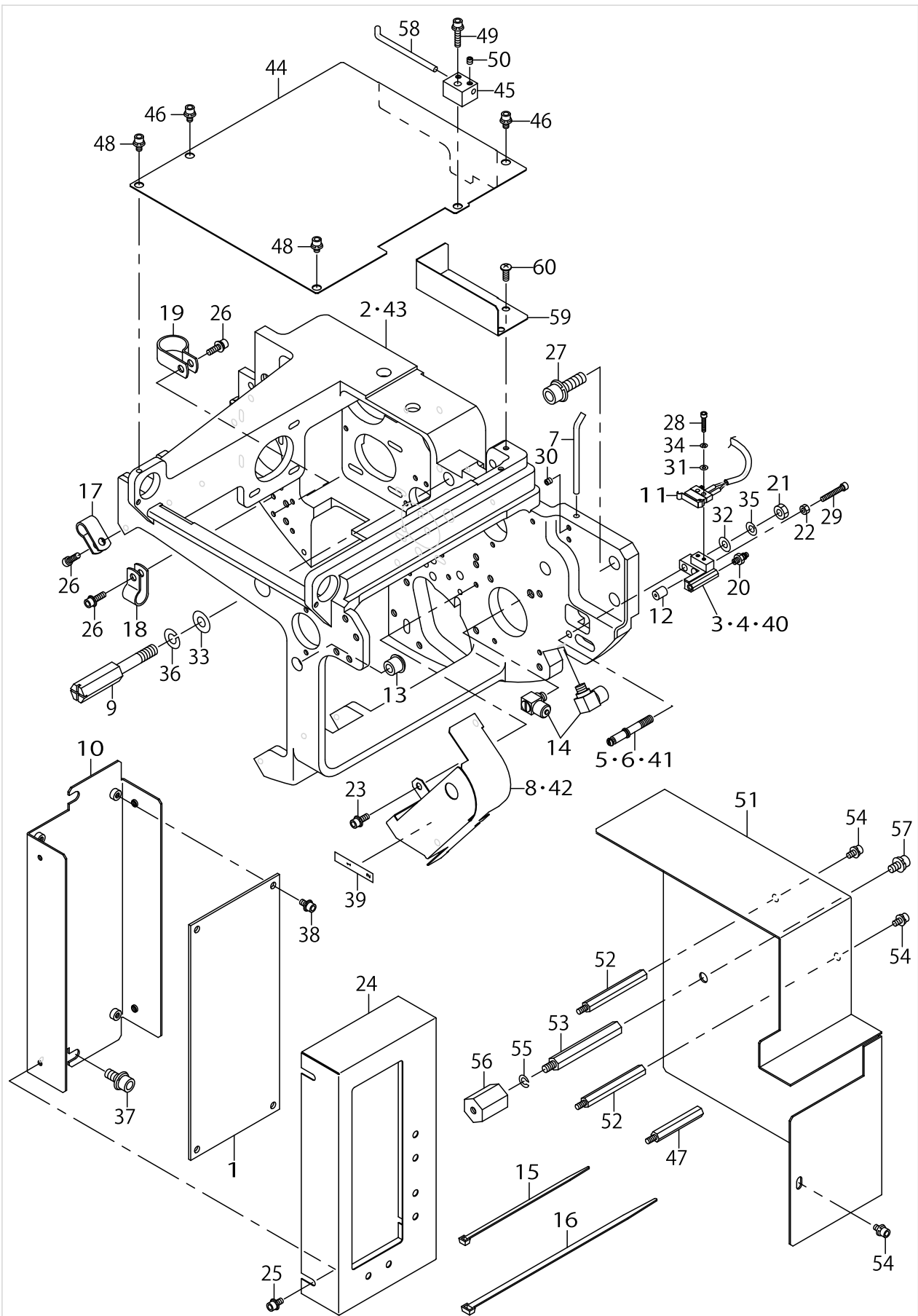
WINDING UNIT COMPONENTS (FOR AW-2D)



WINDING UNIT COMPONENTS (FOR AW-2D)

No.	Supply Code	Parts No.	Replacement	Parts name	Remarks	Choice	Step	Level	Cons	Qty	Rep. QTY
47		GAW02327A00		COUNTER KNIFE						1	
48		GAW02328A00		COUNTER KNIFE COVER						1	
49		GAW02332000		COUNTER KNIFE HOLDER						1	
50		GAW02331000		COUNTER KNIFE BASE						1	
51		SL6031092TN		SCREW						1	
52		SL6030692TN		BOLT						2	
53		SL6041092TN		SCREW						2	
54		SL6041692TN		SCREW						2	
55		GAW02341A00		THREADING WIPER 20						1	
56	D	GAW02352A00		NOZZLE VACUUM 20						1	
57		GAW02854000		WINDING MOTOR						1	
58		GAW02856000		NOZZLE MOTOR						1	
59		PJ046052503		HOSE ELBOW						1	
60		GAW02853000		MOVING KNIFE MOTOR						1	
61		GAW02330000		THREADING MOTOR BRACKET						1	
62		SL6030892TN		SCREW						2	
63		SL6030692TN		BOLT						2	
64		GAW01506000		SPACER						1	

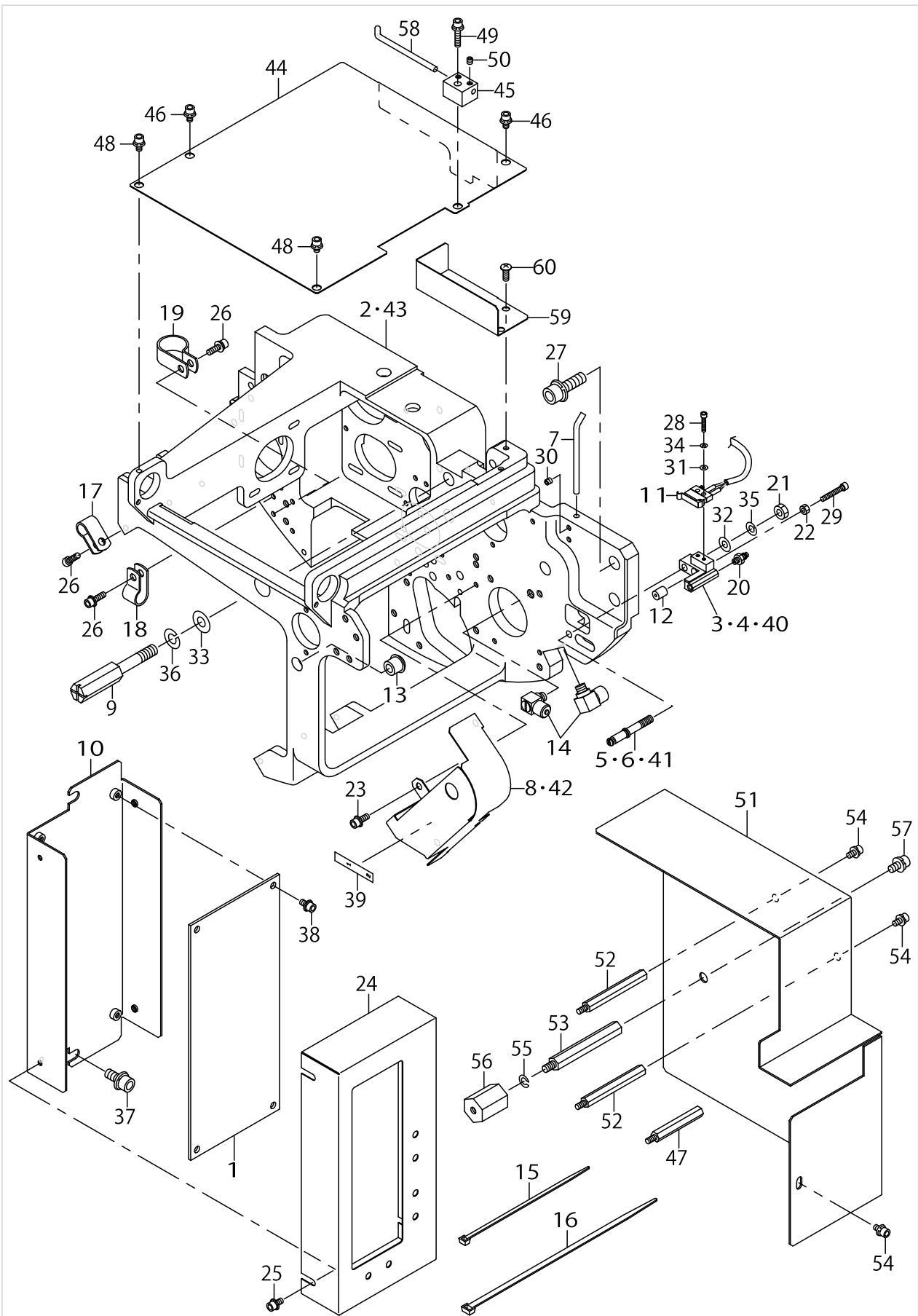
SUPPORT UNIT COMPONENTS



SUPPORT UNIT COMPONENTS

No.	Supply Code	Parts No.	Replacement	Parts name	Remarks	Choice	Step	Level	Cons	Qty	Rep. QTY
1		GAW028030A0		AW2 INT CIRCUIT BOARD ASM.						1	
2		GAW02401A00		SUPPORT BASE						1	
3		GAW02402000		DUMMY BASE 17	FOR AW-2					1	
4		GAW02702000		DUMMY BASE 10	FOR AW-2A,AW-2C					1	
5		GAW02403000		DUMMY SHAFT 17	FOR AW-2					1	
6	D	GAW02703000		DUMMY SHAFT 10	FOR AW-2A,AW-2C					1	
7		GAW02404000		HOOK PIPE	FOR AW-2,- AW-2A,AW-2C					1	
8		GAW02405000		ROTATING BELT COVER						1	
9		GAW02408000		STUD						2	
10		GAW02409000		CIRCUIT BOARD BASE						1	
11	R	GAW028270A0	GAW028670A0A	DUMMYSENSORASM.						1	1.00
12		13744909		TRIPPING LEVER, RUBBER						1	
13	R	B1405012000	22901409	CAP	FOR AW-2,- AW-2A,AW-2C					1	1.00
14		PJ046052503		HOSE ELBOW	FOR AW-2,- AW-2A,AW-2C					2	
15		EA9500B0100		CABLE BAND						3	
16		EA9500B0200		CABLE BAND 150						5	
17		HX00150000B		CABLE CLIP						1	
18		HX00150000C		CABLE CLIP						1	
19		HX00150000G		CABLE CLIP						1	
20		PJ032039001		CONNECTOR	FOR AW-2,- AW-2A,AW-2C					1	
21		NM6040002SE		NUT M4X0.7						1	
22		NM6850001SC		NUT M2.5						1	
23		SL6030892TN		SCREW						3	
24		GAW02407000		CIRCUIT BOARD COVER						1	
25		SL6030692TN		BOLT						4	
26		SL6031092TN		SCREW						3	
27		SL6062092TN		SCREW M6 L=20						2	
28		SM6021002TN		BOLT						2	
29		SM6851602TN		BOLT						1	
30		SM8030302TP		SCREW M3X0.5 L=3	FOR AW-2,- AW-2A,AW-2C					2	
31		WP0220301SC		WASHER M2						2	
32		WP0430801SC		WASHER 4.3X9X0.8						1	
33		WP0641601SC		WASHER						2	
34		WS0210002KN		SPRING WASHER M2						2	
35		WS0410002KN		SPRING WASHER						1	
36		WS0610002KN		SPRING WASHER 6.1X12.2X1.5						2	
37		SL6051292TN		BOLT						2	
38		SL6030692TN		BOLT						4	
39		GAW02357000		SEAL	FOR AW-2D					1	
40		GAW02402A00		DUMMY BASE 20	FOR AW-2D					1	
41		GAW02403A00		DUMMY SHAFT 30	FOR AW-2D					1	
42	D	GAW02405A00		ROTATING BELT COVER 20	FOR AW-2D					1	
43		GAW02401B00		SUPPORT BASE	FOR AW-2D					1	
44		GAW02406C00		HORIZONTAL FEED BELT COVER 20	FOR AW-2D					1	

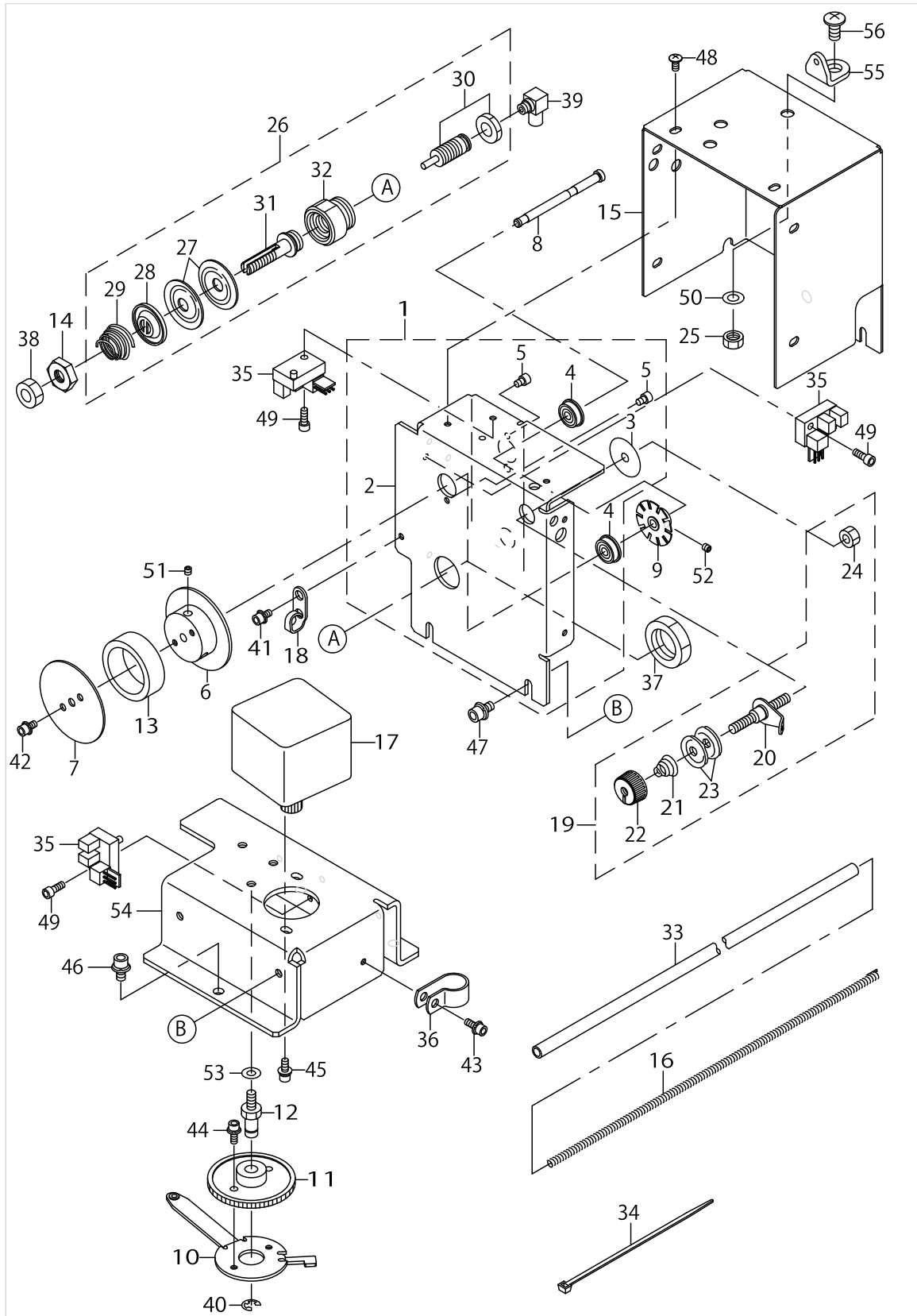
SUPPORT UNIT COMPONENTS



SUPPORT UNIT COMPONENTS

No.	Supply Code	Parts No.	Replacement	Parts name	Remarks	Choice	Step	Level	Cons	Qty	Rep. QTY
45		GAW02410000		HOOK PIPE FOLDER	FOR AW-2D					1	
46		SL6030692TN		BOLT	FOR AW-2D					2	
47		HX00354000J		BASE SUPPORT	FOR AW-2D					2	
48		SL6030592TN		SCREW M3 L=5	FOR AW-2D					2	
49		SL6031492TN		SCREW	FOR AW-2D					1	
50		SM8030302TP		SCREW M3X0.5 L=3	FOR AW-2D					2	
51		GAW02411000		REAR COVER	FOR AW-2D					1	
52		GAW02622000		HEXAGON STUD	FOR AW-2D					2	
53		E6804715000		VCS STUD B	FOR AW-2D					1	
54		SL6030692TN		BOLT	FOR AW-2D					3	
55		WS0410002KN		SPRING WASHER	FOR AW-2D					1	
56		HX00337000A		SPACER	FOR AW-2D					1	
57		SL6040892TN		BOLT	FOR AW-2D					1	
58		GAW02404000		HOOK PIPE	FOR AW-2D					1	
59	D	GAW02406000		HORIZONTAL FEED BELT COVER 17	FOR AW-2					1	
60		SM0030801SC		SCREW M3 X 8	FOR AW-2					2	

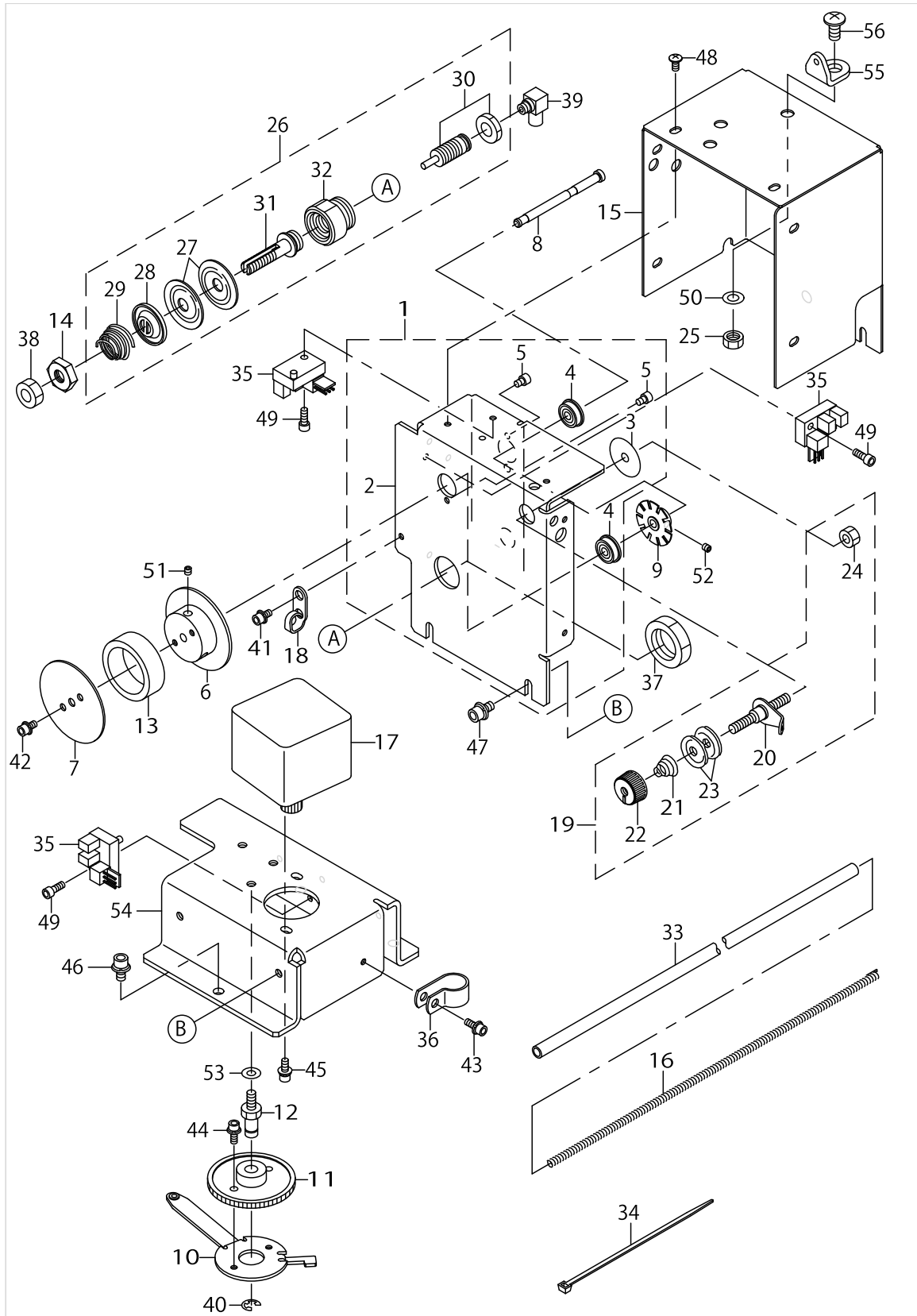
THREAD MEASURING UNIT COMPONENTS (FOR AW-2,AW-2A,AW-2C)



THREAD MEASURING UNIT COMPONENTS (FOR AW-2,AW-2A,AW-2C)

No.	Supply Code	Parts No.	Replacement	Parts name	Remarks	Choice	Step	Level	Cons	Qty	Rep. QTY
1		GAW023610A0		THREAD MEASURING BASE A ASM.						1	
2		GAW02361000		THREAD MEASURING BASE A				*		1	
3		WP0451016SP		WASHER 4.5X20X1				*		1	
4		SB104001500		BEARING				*		2	
5		SM6030402TN		BOLT M3X4				*		2	
6		GAW02363000		THREAD MEASURING ROLLER SLEEVE						1	
7		GAW02364000		THREAD MEASURING FLANGE						1	
8		GAW02365000		THREAD MEASURING SHAFT						1	
9		GAW023660A0		SENSOR SLIT ASM.						1	
10		GAW023680A0		THREAD MEASURING ARM ASM.						1	
11		GAW02369000		THREAD MEASURING GEAR						1	
12		GAW02370000		THREAD MEASURING ARM PIN						1	
13		GAW01248000		KU ROLLER						1	
14		GAW02372000		SP HOLDER(1/4)						1	
15		GAW02373000		THREAD MEASURING COVER						1	
16		GAW02374000		TUBE GUARD						1	
17		GAW028170A0		THREAD MEASURING MOTOR ASM.						1	
18	R	11018603	22920607	ARM THREAD GUIDE B						1	1.00
19		23636657		BOBBIN THREAD TENSION ASM.						1	
20		14113450		BOBBIN THREAD TENSION ROD ASM.				*		1	
21		D7133555B00		CONNECTING ROD SPRING				*		1	
22		11072402		THREAD TENSION NUT				*		1	
23	R	B3126012000	22921506	THREAD TENSION DISK				*		2	1.00
24		NS6110530SP		NUT 11/64-40				*		1	
25		NM6050001SC		NUT M5						1	
26		G23013090A0		THREAD TENSION ASM.						1	
27	R	B3126012000	22921506	THREAD TENSION DISK				*		2	1.00
28		B3132552000		THREAD TENSION DISK PRESSER				*		1	
29		B3121352000		TENSION SPRING				*		1	
30		PA0600504A0		AIR CYLINDER				*		1	
31		G2301309000		THREAD TENSION ROD				*		1	
32		G2302309000		THREAD TENSION ROD BASE				*		1	
33		BT0600401EB		TUBE						.92	
34		EA9500B0100		CABLE BAND						2	
35		HD00057000A		PHOTO SENSOR						3	
36		HX00150000E		CORD PRESSER 3--POLE (220/240V)						1	
37		NM6160511SE		NUT M16X1.5						1	
38		NS6110420SP		NUT 11/64-40						1	
39		PJ046052503		HOSE ELBOW						1	
40		RE0400000K0		E-RING 4						1	
41		SL6030692TN		BOLT						1	
42		SL6030692TN		BOLT						2	
43		SL6030892TN		SCREW						1	
44		SL6030892TN		SCREW						2	

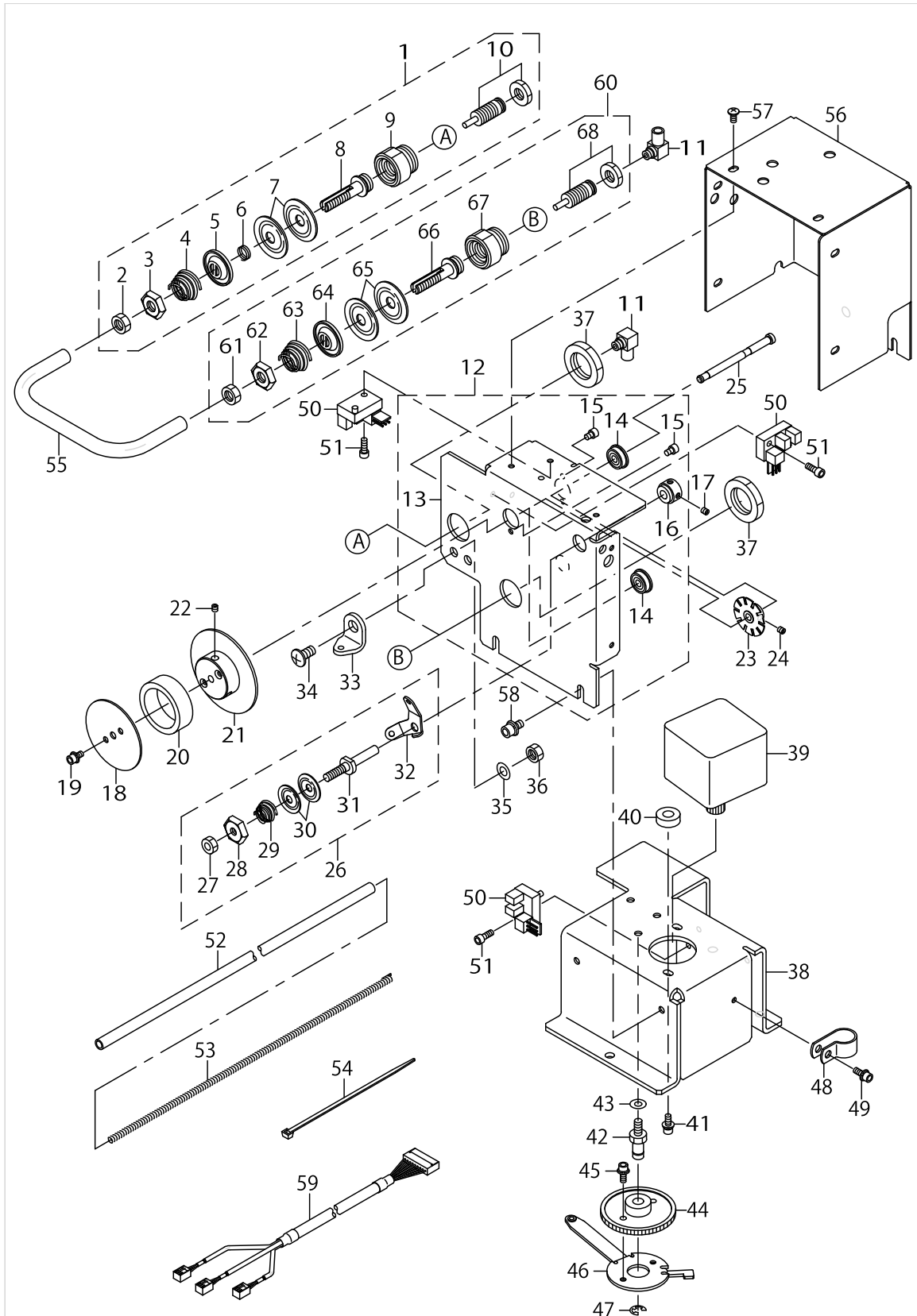
THREAD MEASURING UNIT COMPONENTS (FOR AW-2,AW-2A,AW-2C)



THREAD MEASURING UNIT COMPONENTS (FOR AW-2,AW-2A,AW-2C)

No.	Supply Code	Parts No.	Replacement	Parts name	Remarks	Choice	Step	Level	Cons	Qty	Rep. QTY
45		SL6030892TN		SCREW						2	
46		SL6040892TN		BOLT						3	
47		SL6040892TN		BOLT						4	
48		SM0030601SC		SCREW M3X0.5 L=6						7	
49		SM6030802TN		BOLT						3	
50		WP0531001SC		WASHER						1	
51		SM8030302TP		SCREW M3X0.5 L=3						2	
52		SM8030302TP		SCREW M3X0.5 L=3						2	
53		WP0430801SC		WASHER 4.3X9X0.8						1	
54		GAW02362000		THREAD MEASURING BASE B						1	
55	R	13786306	40010414	THREAD GUIDE NO.1						1	1.00
56		SM0051001SC		SCREW						1	

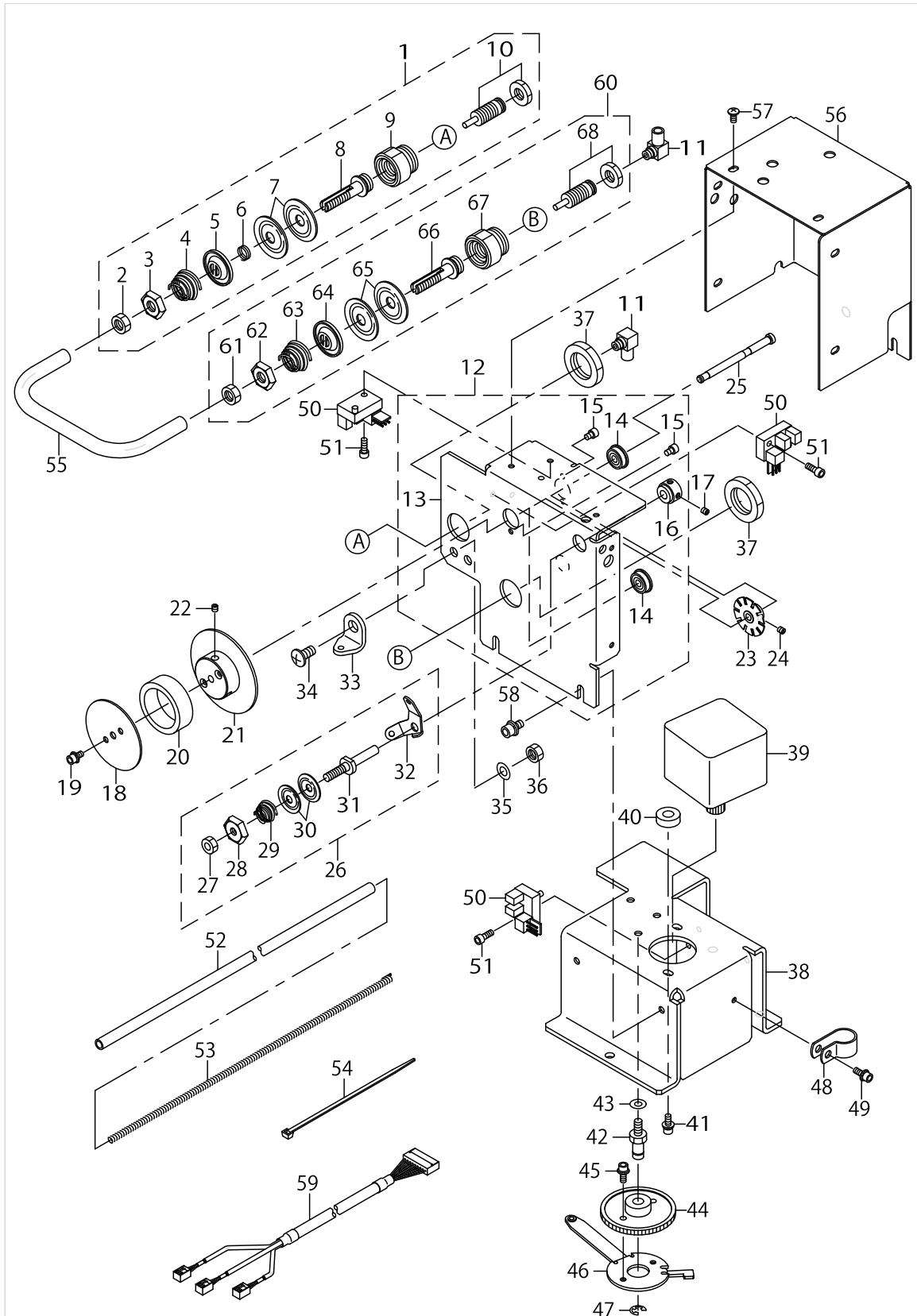
THREAD MEASURING UNIT COMPONENTS (FOR AW-2D)



THREAD MEASURING UNIT COMPONENTS (FOR AW-2D)

No.	Supply Code	Parts No.	Replacement	Parts name	Remarks	Choice	Step	Level	Cons	Qty	Rep. QTY
1		GAW023720A0		THIRD THREAD TENSION ASM.						1	
2		NS6660430SP		NUT 1/4-40				*		1	
3		GAW02372000		SP HOLDER(1/4)				*		1	
4		D3129555D00		THREAD TENSION SPRING				*		1	
5		B3132552000		THREAD TENSION DISK PRESSER				*		1	
6		D2304212T0T		IDLING PREVENTION SPRING				*		1	
7	R	B3126012000	22921506	THREAD TENSION DISK				*		2	1.00
8		G2301309000		THREAD TENSION ROD				*		1	
9		G2302309000		THREAD TENSION ROD BASE				*		1	
10		PA0600504A0		AIR CYLINDER				*		1	
11		PJ046052503		HOSE ELBOW						2	
12		GAW02361AA0		THREAD MEASURING BASE A ASM.						1	
13		GAW02361A00		THREAD MEASURING BASE A				*		1	
14		SB104001500		BEARING				*		2	
15		SM6030402TN		BOLT M3X4				*		2	
16		GAW01246000		KU SLEEVE				*		1	
17		SM8030312TP		SCREW M3 L=3						2	
18		GAW02364A00		THREAD MEASURING FLANGE						1	
19		SL6030692TN		BOLT						2	
20		GAW01248000		KU ROLLER						1	
21	D	GAW02363A00		THREAD MEASURING ROLLER SLEEVE						1	
22		SM8030312TP		SCREW M3 L=3						2	
23		GAW023660A0		SENSOR SLIT ASM.						1	
24		SM8030312TP		SCREW M3 L=3						2	
25		GAW02365000		THREAD MEASURING SHAFT						1	
26		GAW023710A0		FIRST THREAD TENSION ASM.						1	
27		NS6110420SP		NUT 11/64-40				*		1	
28		GAW02371000		SP HOLDER(11/64)				*		1	
29		11045101		THREAD TENSION SPRING				*		1	
30	R	B3126012000	22921506	THREAD TENSION DISK				*		2	1.00
31	D	11045002		FIRST TENSION POST				*		1	
32	R	11045200	22963458	THREAD TENSION GUIDE		A		*		1	1.00
32	R	11045200	22945463	THREAD TENSION GUIDE		B	DDL8700H-7/8700J--7/9000B, DLN6390-7 DDL8700-7 and so on	*		1	1.00
33	R	13786306	40010414	THREAD GUIDE NO.1						1	1.00
34		SM0051001SC		SCREW						1	
35		WP0531001SC		WASHER						1	
36		NM6050001SC		NUT M5						1	
37		NM6160511SE		NUT M16X1.5						2	
38		GAW02362A00		THREAD MEASURING BASE B						1	
39		GAW028170A0		THREAD MEASURING MOTOR ASM.						1	
40	R	13507405	26217505	ROLLER						2	1.00
41		SL6031292TN		BOLT						2	
42		GAW02370000		THREAD MEASURING ARM PIN						1	

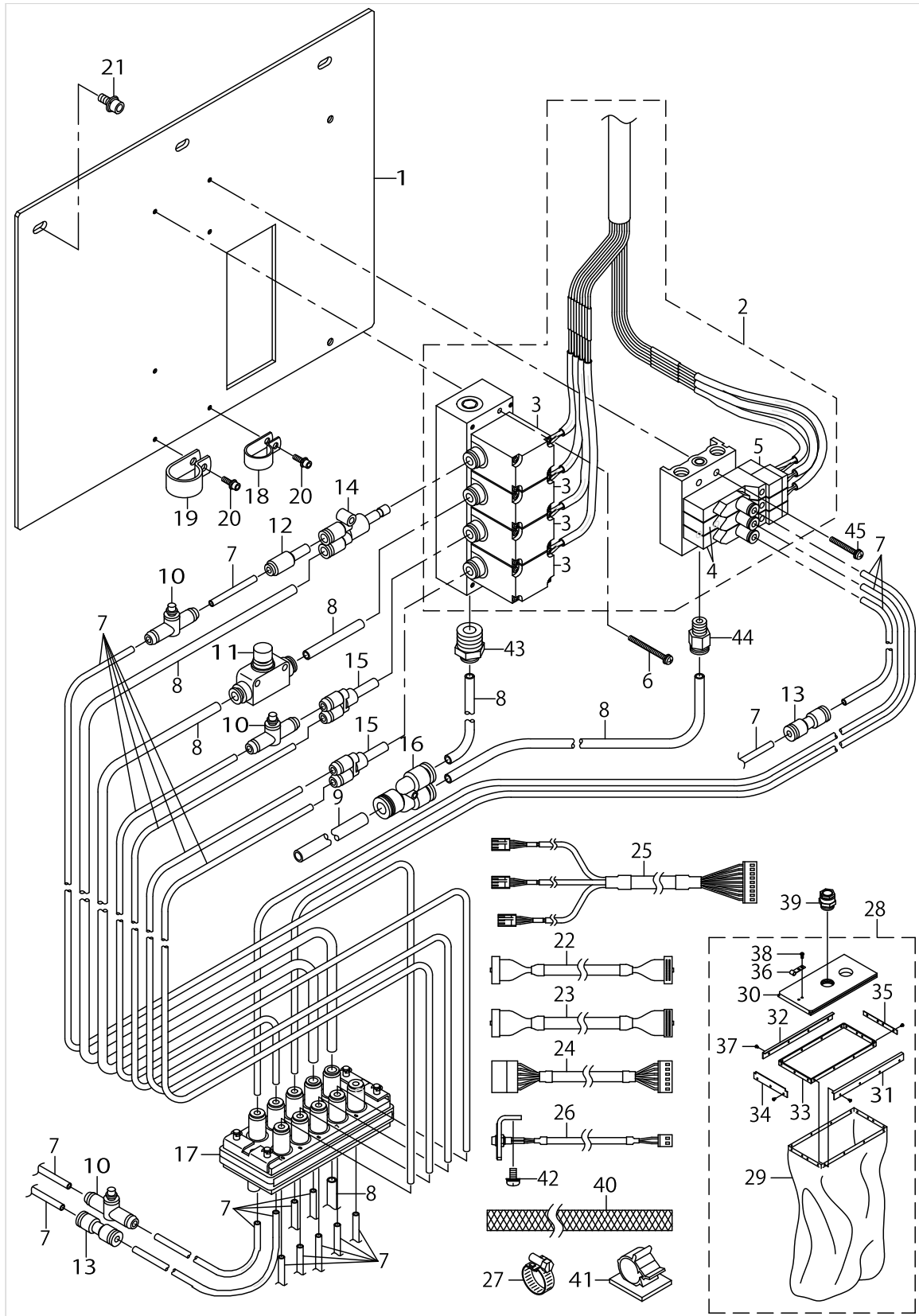
THREAD MEASURING UNIT COMPONENTS (FOR AW-2D)



THREAD MEASURING UNIT COMPONENTS (FOR AW-2D)

No.	Supply Code	Parts No.	Replacement	Parts name	Remarks	Choice	Step	Level	Cons	Qty	Rep. QTY
43		WP0430801SC		WASHER 4.3X9X0.8						1	
44		GAW02369000		THREAD MEASURING GEAR						1	
45		SL6030892TN		SCREW						2	
46		GAW023680A0		THREAD MEASURING ARM ASM.						1	
47		RE0400000K0		E-RING 4						1	
48		HX00150000E		CORD PRESSER 3-- POLE (220/240V)						1	
49		SL6030892TN		SCREW						1	
50		HD00057000A		PHOTO SENSOR						3	
51		SM6030802TN		BOLT						3	
52		BT0600401EB		TUBE						.92	
53		GAW02374000		TUBE GUARD						1	
54		EA9500B0100		CABLE BAND						4	
55		BT0800501EB		VINYL TUBE						.1	
56		GAW02373000		THREAD MEASURING COVER						1	
57		SM0030601SC		SCREW M3X0.5 L=6						5	
58		SL6040892TN		BOLT						4	
59		GAW02767DA0		SENSOR RELAY CORD ASM.						1	
60		GAW02372AA0		SECOND THREAD TENSION ASM.						1	
61		NS6660430SP		NUT 1/4-40				*		1	
62		GAW02372000		SP HOLDER(1/4)				*		1	
63		D3129555D00		THREAD TENSION SPRING				*		1	
64		B3132552000		THREAD TENSION DISK PRESSER				*		1	
65	R	B3126012000	22921506	THREAD TENSION DISK				*		2	1.00
66		G2301309000		THREAD TENSION ROD				*		1	
67		G2302309000		THREAD TENSION ROD BASE				*		1	
68		PA0600504A0		AIR CYLINDER				*		1	

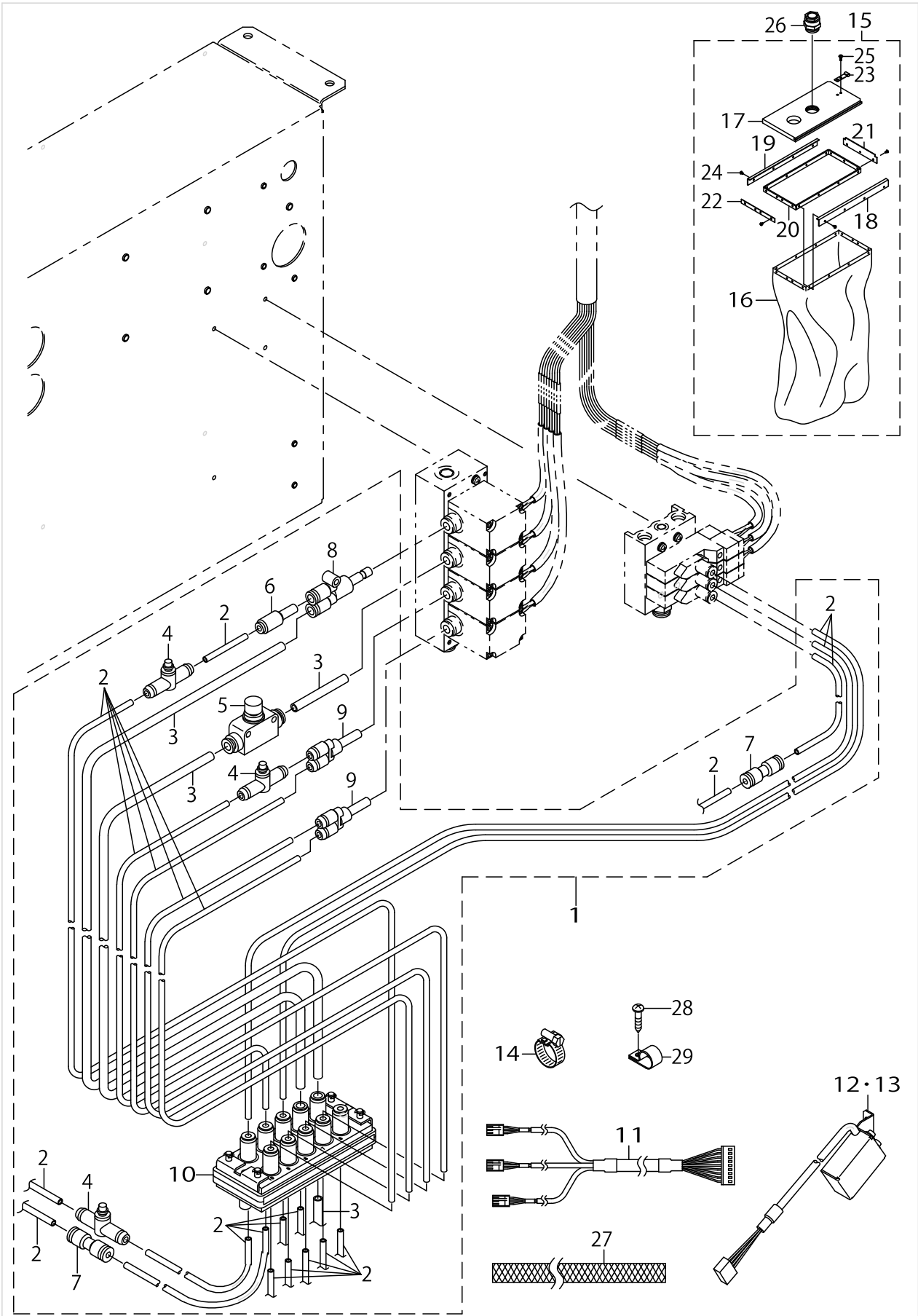
HOUSING COMPONENTS (FOR AW-2)



HOUSING COMPONENTS (FOR AW-2)

No.	Supply Code	Parts No.	Replacement	Parts name	Remarks	Choice	Step	Level	Cons	Qty	Rep. QTY
1	D	GAW02521000		SOLENOID VALVE PLATE						1	
2		GAW028410A0		SOLENOID VALVE ASM.						1	
3		PV120203000		2 PORT SOLENOID VALVE				*		4	
4		PV130204100		3 PORT SOLENOID VALVE				*		2	
5		PV130204000		3 PORT SOLENOID VALVE				*		1	
6	D	SL4033591SC		SCREW M3X35						2	
7		BT0400251EB		URETHANE HOSE, BLACK						15	
8		BT0600401EB		TUBE						2.27	
9		BT0800501EB		VINYL TUBE						.15	
10		PC012406000		SPEED CONTROLLER						3	
11		PC012601000		SPEED CONTROLLER						1	
12		PJ301040001		REDUCER						1	
13		PJ303040002		STRAIGHT UNION						2	
14		PJ308060004		Y UNION						1	
15		PJ308060006		SPECIAL FORM BRANCH UNION Y						2	
16		PJ308080001		UNION, Y						1	
17		PJ4010008A0		MULTI CONNECTOR						1	
18		HX00150000H		CABLE CLIP						1	
19		HX00150000K		CABLE CLIP						1	
20		SL6031092TN		SCREW						2	
21		SL6051292TN		BOLT						3	
22		GAW028330A0		CPU-INT CONNECT- ING CORD ASM.						1	
23	D	GAW028340A0		DRV-INT CONNECT- ING CORD ASM.						1	
24		GAW028360A0		THREAD MEASURIN- G MOTOR CORD						1	
25		GAW028370A0		THREAD MEASURIN- G SENSOR CORD						1	
26		GAW028380A0		LED ASM.						1	
27		16121907		HOSE BAND						1	
28		F10010030B0		FILTER ASM.						1	
29	R	F1001003000	F10010030B0	FILTER CLOTH				*		1	1.00
30	D	G5210120000		FILTER TOP COVER				*		1	
31	D	F1005003000		RAIL FRAME A				*		1	
32	D	F1006003000		RAIL FRAME B				*		1	
33		F1007003000		INNER FRAME				*		1	
34		F1008003000		STOPPER FRAME				*		1	
35		F1009003000		END FRAME				*		1	
36		F1010003000		SPRING				*		1	
37	R	SM4030501SB	SM4030501SN	SCREW M3 L=5				*		15	1.00
38		SM4041001SB		SCREW M4 L=10				*		2	
39		F1004003000		PIPE GRIP						1	
40		BT1601001Z0		TUBE						1	
41		E9609603000		STICKER (LARGE)						3	
42		SL4051091SC		SCREW M5X0.8 L=10						2	
43		PJ210006200		HALF UNION						1	
44		PJ301065103		HALF UNION 6XPT1/8						1	
45		SL4032591SC		SCREW M3X25						2	

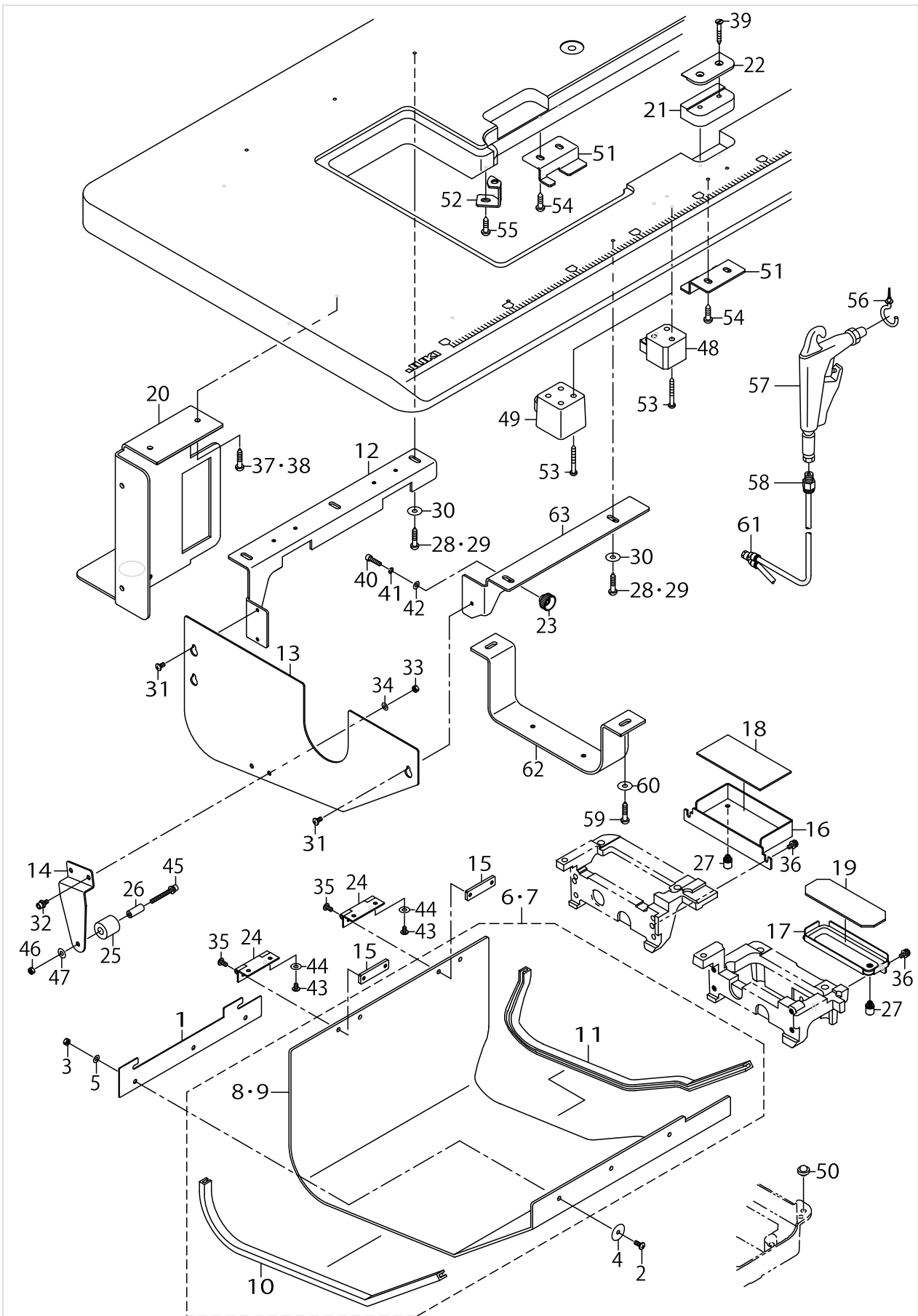
HOUSING COMPONENTS (1) (FOR AW-2A,AW-2C)



HOUSING COMPONENTS (1) (FOR AW-2A,AW-2C)

No.	Supply Code	Parts No.	Replacement	Parts name	Remarks	Choice	Step	Level	Cons	Qty	Rep. QTY
1		GAW02006AA0		PNEUMATIC ASM.						1	
2		BT0400251EB		URETHANE HOSE, BLACK				*		14.7	
3		BT0600401EB		TUBE				*		2.27	
4		PC012406000		SPEED CONTROLLER				*		3	
5		PC012601000		SPEED CONTROLLER				*		1	
6		PJ301040001		REDUCER				*		1	
7		PJ303040002		STRAIGHT UNION				*		2	
8		PJ308060004		Y UNION				*		1	
9		PJ308060006		SPECIAL FORM BRANCH UNION Y				*		2	
10		PJ4010008A0		MULTI CONNECTOR				*		1	
11		GAW02767AA0		THREAD MEASURING SENSOR CORD						1	
12		GAW02775AA0		FACE LED ASM.	FOR AW-2A					1	
13		GAW02775CA0		FACE LED ASM.	FOR AW-2C					1	
14		16121907		HOSE BAND						1	
15		F10010030B0		FILTER ASM.						1	
16	R	F1001003000	F10010030B0	FILTER CLOTH				*		1	1.00
17	D	G5210120000		FILTER TOP COVER				*		1	
18	D	F1005003000		RAIL FRAME A				*		1	
19	D	F1006003000		RAIL FRAME B				*		1	
20		F1007003000		INNER FRAME				*		1	
21		F1008003000		STOPPER FRAME				*		1	
22		F1009003000		END FRAME				*		1	
23		F1010003000		SPRING				*		1	
24	R	SM4030501SB	SM4030501SN	SCREW M3 L=5				*		15	1.00
25		SM4041001SB		SCREW M4 L=10				*		2	
26		F1004003000		PIPE GRIP						1	
27		BT1601001Z0		TUBE						1	
28		SK3412001SE		WOOD SCREW D=4.1 L=20						3	
29		EA9502B0400		CABLE CLIP E						3	

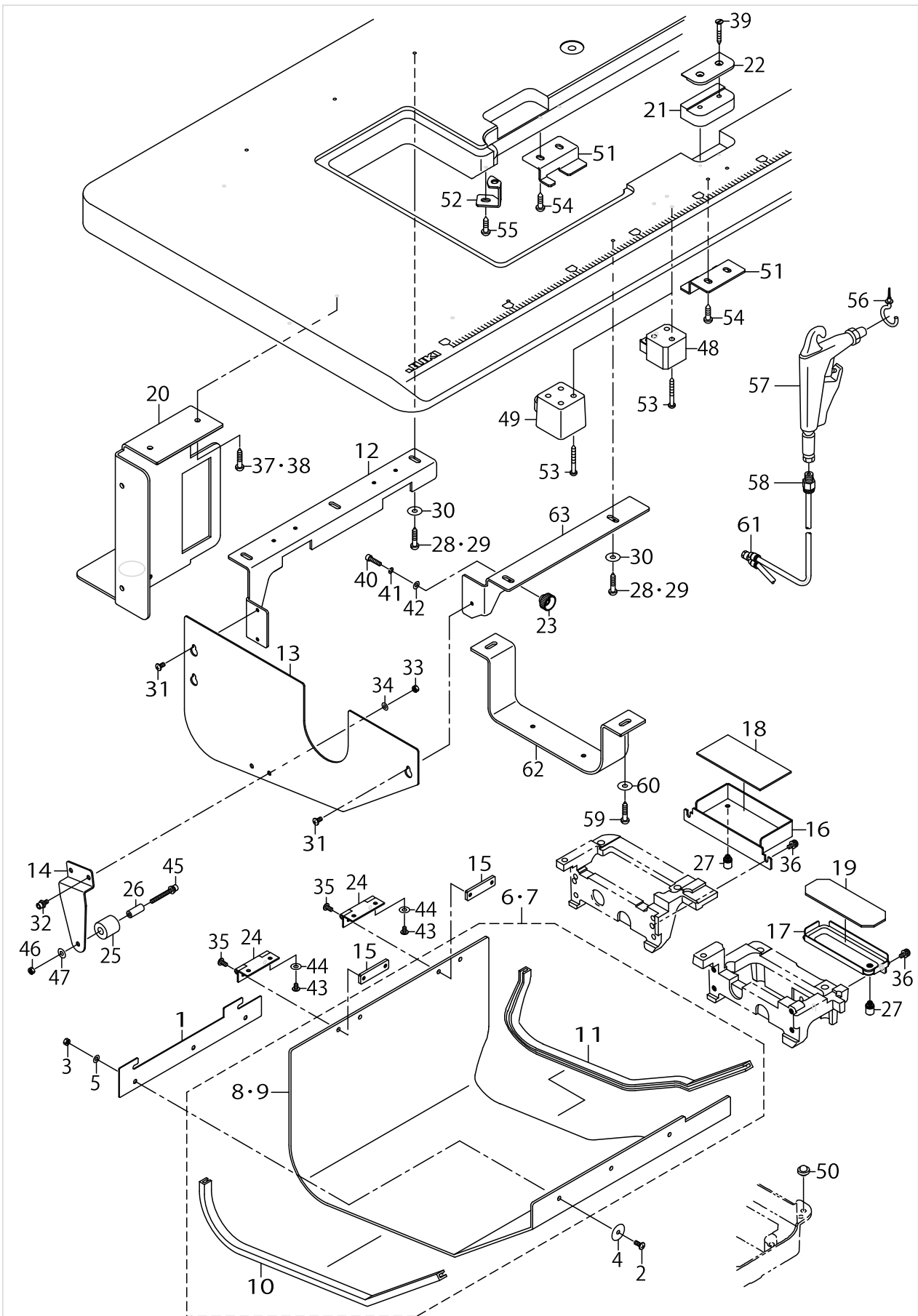
HOUSING COMPONENTS (2) (FOR AW-2A,AW-2C)



HOUSING COMPONENTS (2) (FOR AW-2A,AW-2C)

No.	Supply Code	Parts No.	Replacement	Parts name	Remarks	Choice	Step	Level	Cons	Qty	Rep. QTY
1		GAW02566000		BOTTOM COVER HOOK						1	
2		SM0041001SC		SCREW M4 L=10						3	
3		NM6040001SC		NUT M4						3	
4		WP0451016SP		WASHER 4.5X20X1						3	
5		WP0430801SC		WASHER 4.3X9X0.8						3	
6		40056513		BOTTOM COVER A ASM.	FOR AW-2A					1	
7		40056515		BOTTOM COVER C ASM.	FOR AW-2C					1	
8		40056512		BOTTOM COVER A	FOR AW-2A			*		1	
9		40056514		BOTTOM COVER C	FOR AW-2C			*		1	
10		GAW02563000		EDGE BUSH				*		1	
11		40056692		EDGE BUSH B				*		1	
12		GAW02553000		BOTTOM COVER FITTING PLATE R						1	
13		GAW02554000		DOUSER						1	
14		GAW02555000		STOPPER FITTING PLATE						1	
15		GAW02556000		BOTTOM COVER FIXING PLATE						2	
16		GAW02557000		OIL RESERVOIR	FOR AW-2A					1	
17		GAW02557A00		OIL RESERVOIR	FOR AW-2C					1	
18		GAW02558000		OIL RESERVOIR FELT	FOR AW-2A					1	
19		GAW02558A00		OIL RESERVOIR FELT	FOR AW-2C					1	
20		GAW02559000		DUST BAG FITTING PLATE						1	
21		GAW02560000		BED FIXING RUBBER						1	
22		GAW02561000		BED FIXING RUBBER PRESSER						1	
23		G6036870000		POCKET PRESSER KNOB						2	
24		G8010880000		GARMENT LAYING BASE HINGE						2	
25		40084116		RUBBER DAMPER						1	
26		11244019		STOPPER COLLAR						1	
27		PJ032054001		HOSE NIPPLE						1	
28		SK3482501SE		WOOD SCREW D=4.8 L=25	FOR AW-2A					5	
29		SK3482501SE		WOOD SCREW D=4.8 L=25	FOR AW-2C					5	
30		WP0553216SD		WASHER						5	
31		SM0040801SC		SCREW						3	
32		SL6041092TN		SCREW						2	
33		NM6040001SC		NUT M4						2	
34		WP0430801SC		WASHER 4.3X9X0.8						2	
35		SM0040801SC		SCREW						4	
36		SL4041091SC		SCREW M4 L=10						2	
37		SK3482501SE		WOOD SCREW D=4.8 L=25	FOR AW-2A					2	
38		SK3482501SE		WOOD SCREW D=4.8 L=25	FOR AW-2C					2	
39		SK1413200SC		WOOD SCREW D=4.1 L=32						2	
40		SM6041602TN		SCREW M4 X 16						2	
41		WS0410002KN		SPRING WASHER						2	
42		WP0430801SC		WASHER 4.3X9X0.8						2	
43		SM0040601SC		SCREW M4X0.7 L=6						4	
44		WP0482086SD		WASHER 4.8X11.5X2						4	
45		SL6043592TN		SCREW						1	
46		NM6040001SC		NUT M4						1	

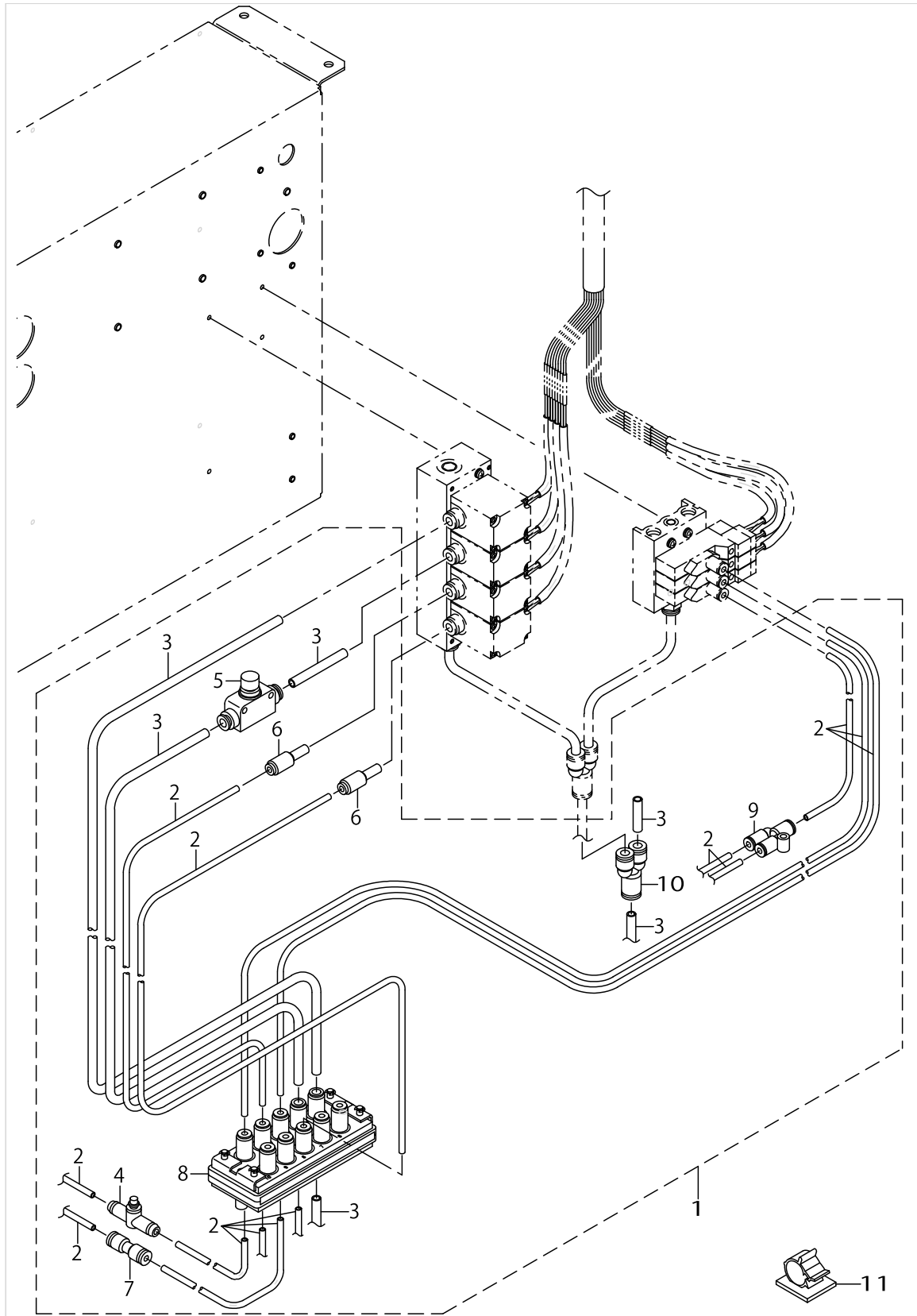
HOUSING COMPONENTS (2) (FOR AW-2A,AW-2C)



HOUSING COMPONENTS (2) (FOR AW-2A,AW-2C)

No.	Supply Code	Parts No.	Replacement	Parts name	Remarks	Choice	Step	Level	Cons	Qty	Rep. QTY
47		WP0482086SD		WASHER 4.8X11.5X2						2	
48		GAW02711000		TABLE BRACKET	FOR AW-2A					1	
49		GAW02711A00		TABLE BRACKET	FOR AW-2C					1	
50		11047107		RUBBER CUSHION						2	
51	D	GAW01401000		OIL RESERVOIR TANK BRACKET	FOR AW-2A					2	
52		GAW01402000		BED CORNER BRACKET						1	
53		SK3514001SE		SCREW D=5.1 L=40						3	
54		SK3512001SE		WOOD SCREW D=5.1 L=20						4	
55		SK3512001SE		WOOD SCREW D=5.1 L=20	FOR AW-2A					1	
56		MAT81163T00		CORD HOLDER						1	
57		16111403		AIR GUN						1	
58		PJ301065103		HALF UNION 6XPT1/8						1	
59		SK3482501SE		WOOD SCREW D=4.8 L=25	FOR AW-2C					2	
60		WP0553216SD		WASHER	FOR AW-2C					2	
61		PJ308060004		Y UNION						1	
62		GAW02565000		UNDER COVER FIXING PLATE	FOR AW-2C					1	
63		GAW02552000		BOTTOM COVER FITTING PLATE F						1	

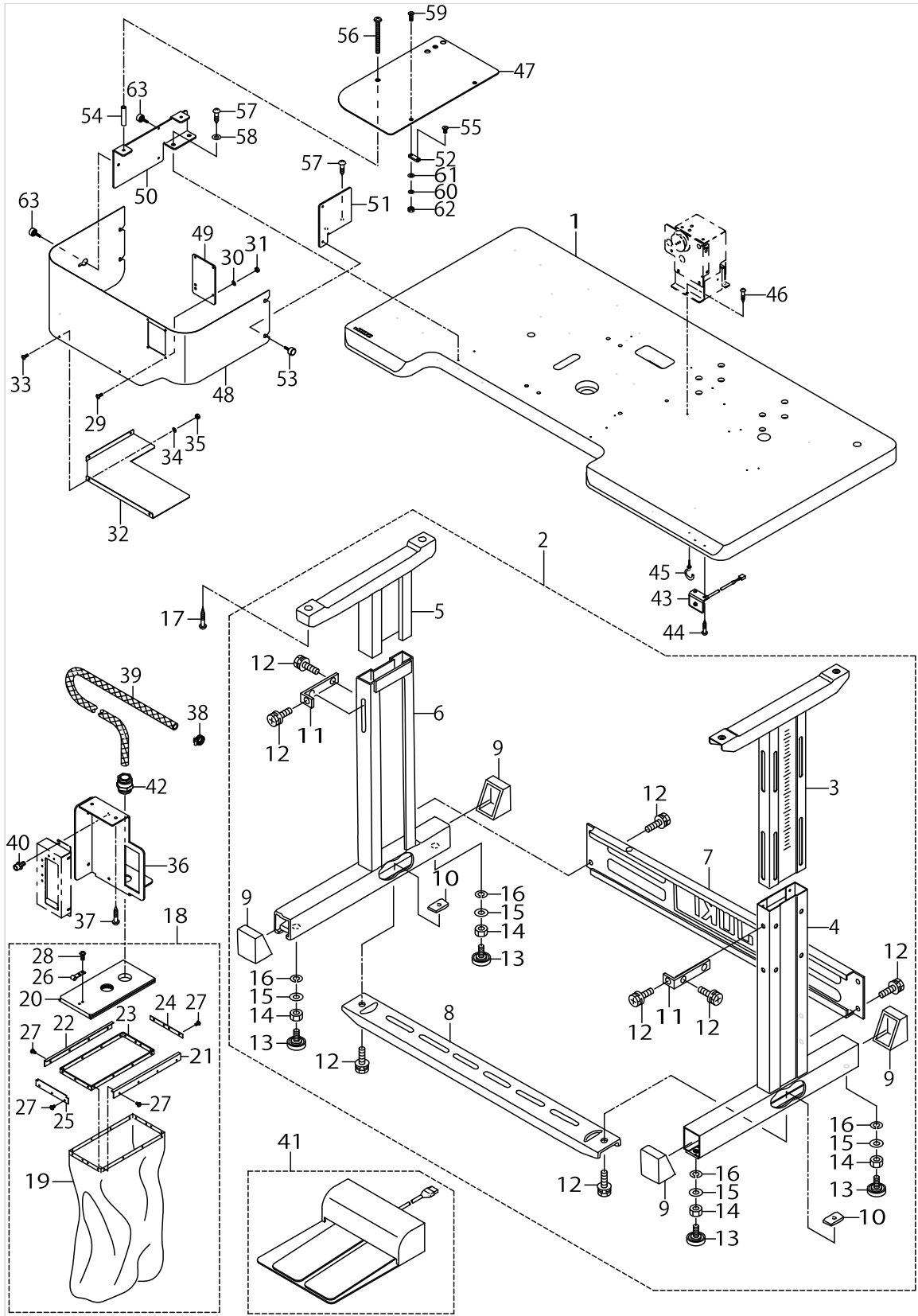
HOUSING COMPONENTS (1) (FOR AW-2D)



HOUSING COMPONENTS (1) (FOR AW-2D)

No.	Supply Code	Parts No.	Replacement	Parts name	Remarks	Choice	Step	Level	Cons	Qty	Rep. QTY
1		GAW02006BA0		PNEUMATIC ASM.						1	
2		BT0400251EB		URETHANE HOSE, BLACK				*		13.2	
3		BT0600401EB		TUBE				*		3	
4		PC012406000		SPEED CONTROLLER				*		1	
5		PC012601000		SPEED CONTROLLER				*		1	
6		PJ301040001		REDUCER				*		2	
7		PJ303040002		STRAIGHT UNION				*		1	
8		PJ4010008A0		MULTI CONNECTOR				*		1	
9		PJ308040002		QUICK COUPLING				*		1	
10		PJ308060001		UNION, Y				*		1	
11		E9609603000		STICKER (LARGE)						3	

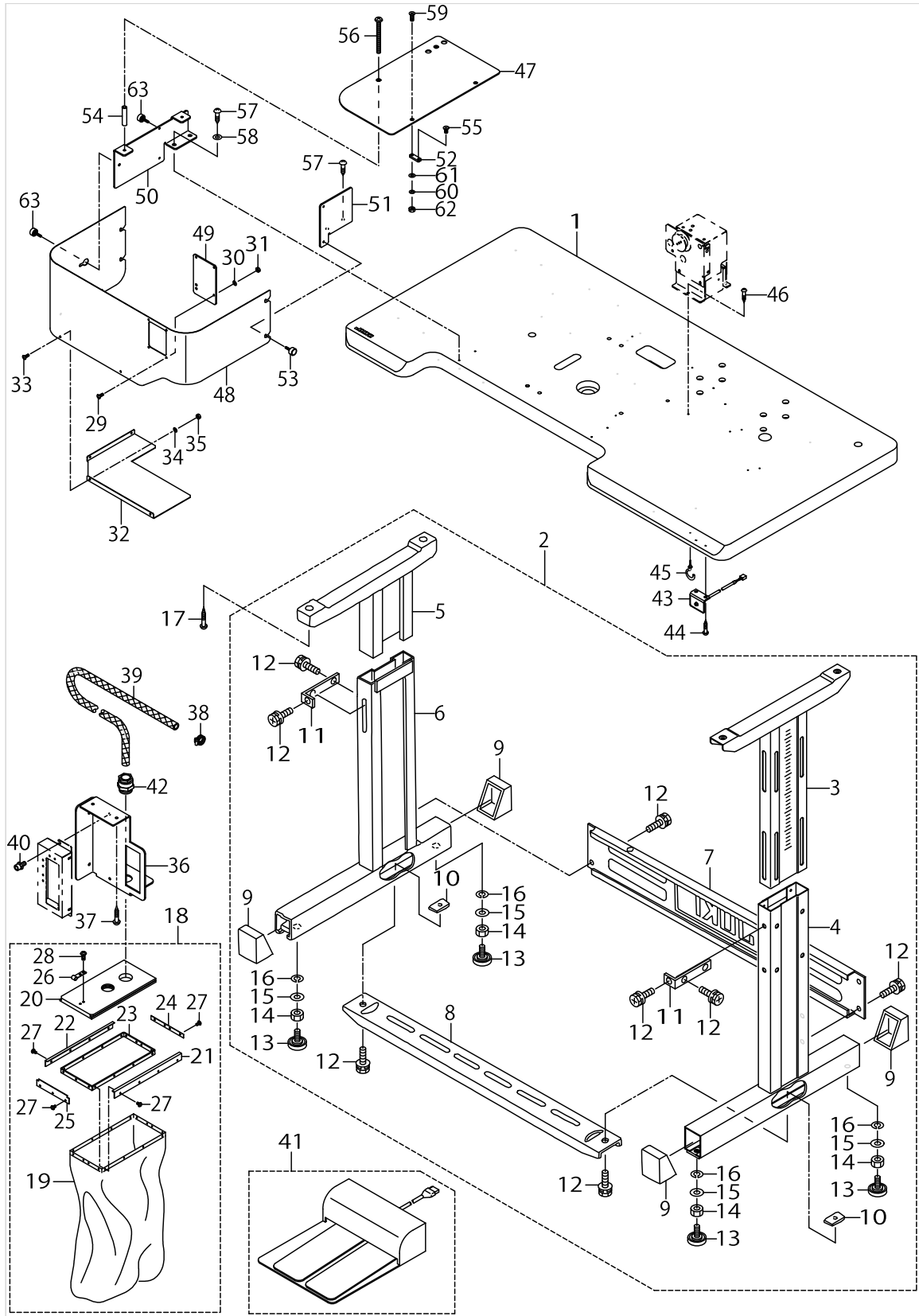
HOUSING COMPONENTS (2) (FOR AW-2D)



HOUSING COMPONENTS (2) (FOR AW-2D)

No.	Supply Code	Parts No.	Replacement	Parts name	Remarks	Choice	Step	Level	Cons	Qty	Rep. QTY
1		GAW02581000		TABLE						1	
2		14222152		T-STAND COMPL.(AIR TYPE)						1	
3		14118152		UPPER STAND ASM.,RIGHT				*		1	
4		14118251		STAND ASM.,RIGHT				*		1	
5		B8101210AAB		UPPER STAND ASM.				*		1	
6		B8105210AAA		STAND ASM.				*		1	
7	D	11158300		STAND SIDE SUPPORT				*		1	
8		11158409		STAND SIDE SUPPORT				*		1	
9		11158607		RUBBER CAP				*		4	
10		17007402		NUT				*		2	
11		11158516		UPPERSTANDPLATE				*		2	
12		SL9082091SE		WASHER HEXAGONAL BOLT				*		12	
13		B81085550A0		ADJUSTING SCREW ASM. WITH CAP				*		4	
14		NM6120001SE		NUT M12				*		4	
15		WP1302501SE		WASHER M12				*		4	
16		WS1253010KN		SPRING WASHER 12.5X21.5X3				*		4	
17		SK3513201SE		WOOD SCREW D=5.1 L=32						4	
18		F10010030B0		FILTER ASM.						1	
19	R	F1001003000	F10010030B0	FILTER CLOTH				*		1	1.00
20	D	G5210120000		FILTER TOP COVER				*		1	
21	D	F1005003000		RAIL FRAME A				*		1	
22	D	F1006003000		RAIL FRAME B				*		1	
23		F1007003000		INNER FRAME				*		1	
24		F1008003000		STOPPER FRAME				*		1	
25		F1009003000		END FRAME				*		1	
26		F1010003000		SPRING				*		1	
27	R	SM4030501SB	SM4030501SN	SCREW M3 L=5				*		15	1.00
28		SM4041001SB		SCREW M4 L=10				*		2	
29		SM0030801SC		SCREW M3 X 8						4	
30		WP0320501SC		WASHER M3						4	
31		NM6030001SC		NUT M3						4	
32	D	GAW02579000		UNDER COVER						1	
33		SM0030801SC		SCREW M3 X 8						4	
34		WP0320501SC		WASHER M3						4	
35		NM6030001SC		NUT M3						4	
36		GAW02559000		DUST BAG FITTING PLATE						1	
37		SK3482501SE		WOOD SCREW D=4.8 L=25						2	
38		16121907		HOSE BAND						1	
39		BT1601001Z0		TUBE						1	
40		SL6051292TN		BOLT						2	
41		M85905130AA		PEDAL SWITCH ASM.						1	
42		F1004003000		PIPE GRIP						1	
43		GAW028380A0		LED ASM.						1	
44		SK3382001SC		WOOD SCREW D=3.8 L=20						2	
45		MAT81163T00		CORD HOLDER						1	
46		SK3382001SC		WOOD SCREW D=3.8 L=20						3	

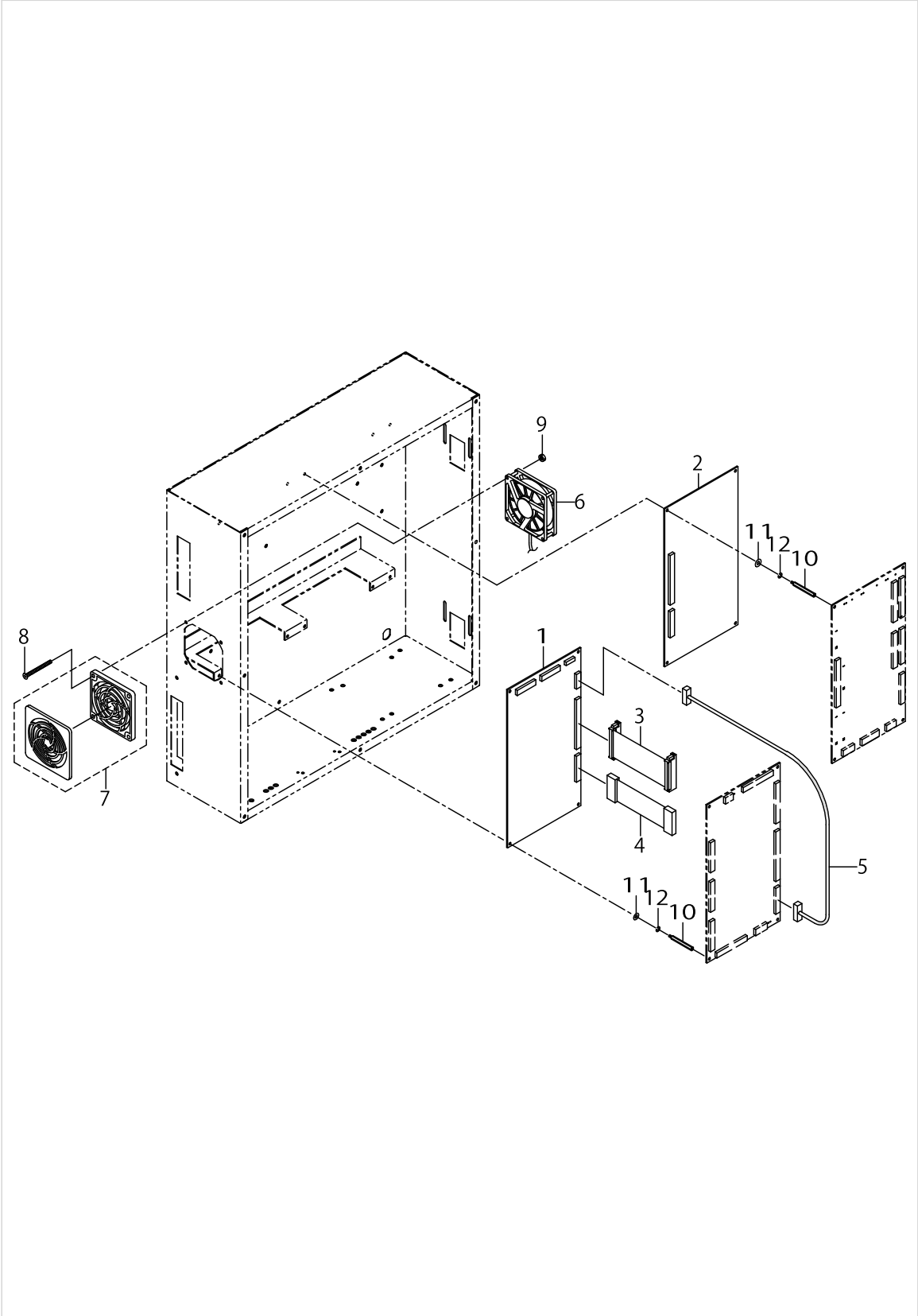
HOUSING COMPONENTS (2) (FOR AW-2D)



HOUSING COMPONENTS (2) (FOR AW-2D)

No.	Supply Code	Parts No.	Replacement	Parts name	Remarks	Choice	Step	Level	Cons	Qty	Rep. QTY
47		GAW02571000		THROAT PLATE TABLE						1	
48		GAW02572000		FRONT COVER						1	
49		GAW02573000		FRONT COVER WINDOW						1	
50		GAW02574000		COVER STAY L						1	
51		GAW02575000		COVER STAY R						1	
52		GAW02577000		THROAT PLATE CONNECTOR						2	
53	D	E1855172000		DIMPLE KNOB						4	
54		GAW02578000		TABLE SPACER						2	
55		SM1040801SC		SCREW M4X0.7 L=8						2	
56		SM4055501SC		SCREW M5X0.8 L=55						2	
57		SK3512001SE		WOOD SCREW D=5.1 L=20						4	
58		WP0550836SC		WASHER 5.5X12X0.8						2	
59		SM1041201SC		SCREW M4 L=12						2	
60		WS0410002KN		SPRING WASHER						2	
61		WP0430801SC		WASHER 4.3X9X0.8						2	
62		NM6040000SN		NUT M4						2	
63		SM0050801SC		SCREW						1	

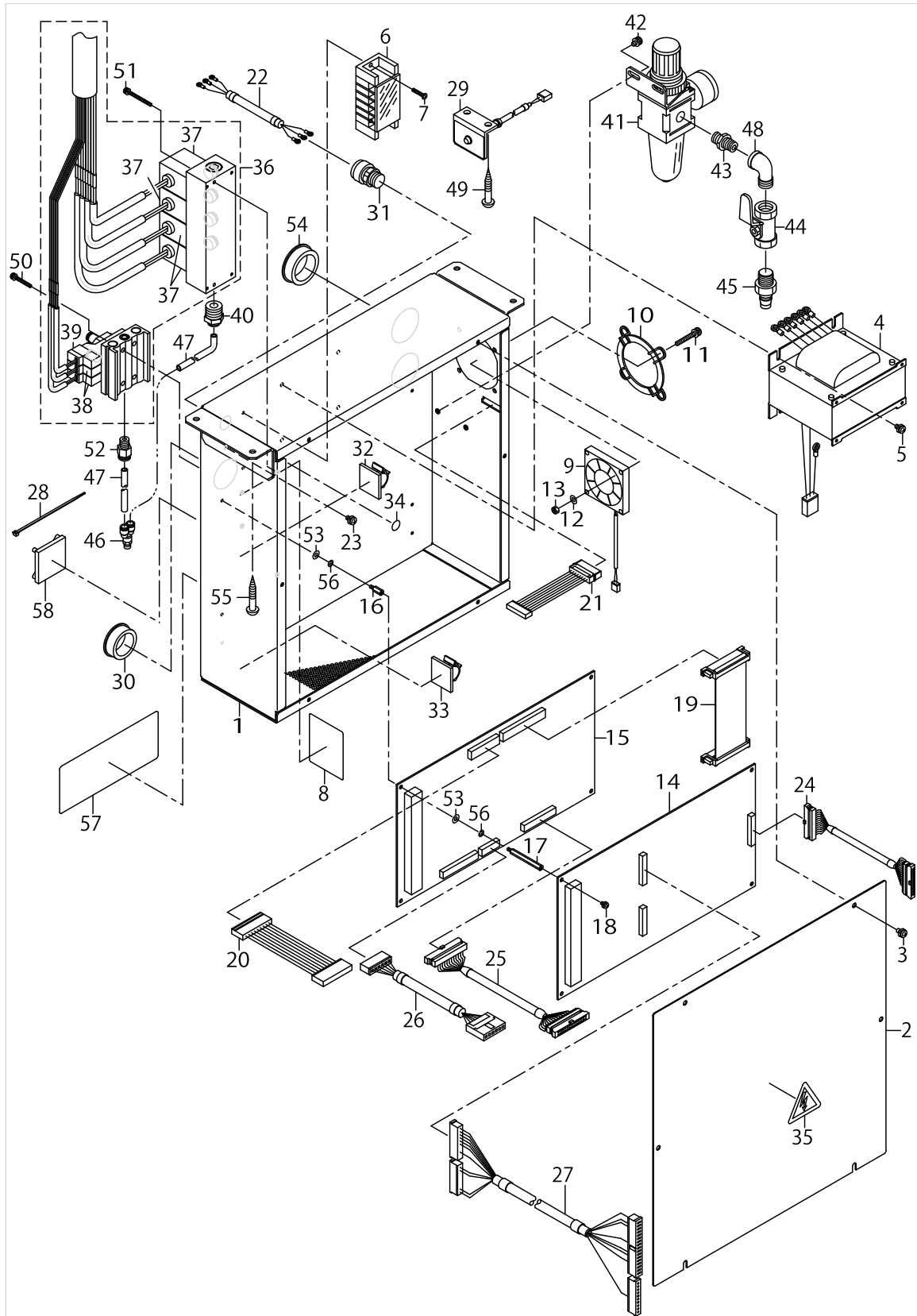
ELECTRICAL BOX COMPONENTS (FOR AW-2)



ELECTRICAL BOX COMPONENTS (FOR AW-2)

No.	Supply Code	Parts No.	Replacement	Parts name	Remarks	Choice	Step	Level	Cons	Qty	Rep. QTY
1		GAW028010B0		AW2 CPU CIRCUIT BOARD MAS. ASM.						1	
2		GAW028020A0		AW2 DRV CIRCUIT BOARD ASM.						1	
3		GAW02831000		CPU-DRV CONNCTING CORD ASM.						1	
4		GAW028320A0		CPU-DRV POWER CORD ASM.						1	
5	D	GAW028350A0		AVP IF CORD ASM.						1	
6		GAW028390A0		FAN MOTOR ASM.						1	
7		HM000860010		FAN FILTER						1	
8		SM1033501SC		SCREW M3X0.5 L=35						2	
9		NM6030003SC		NUT M3						2	
10		HX00354000K		BASE SUPPORT						8	
11		WP0330516SC		WASHER 3.3X8X0.5						8	
12		WS0310002KN		SPRING WASHER M3						8	

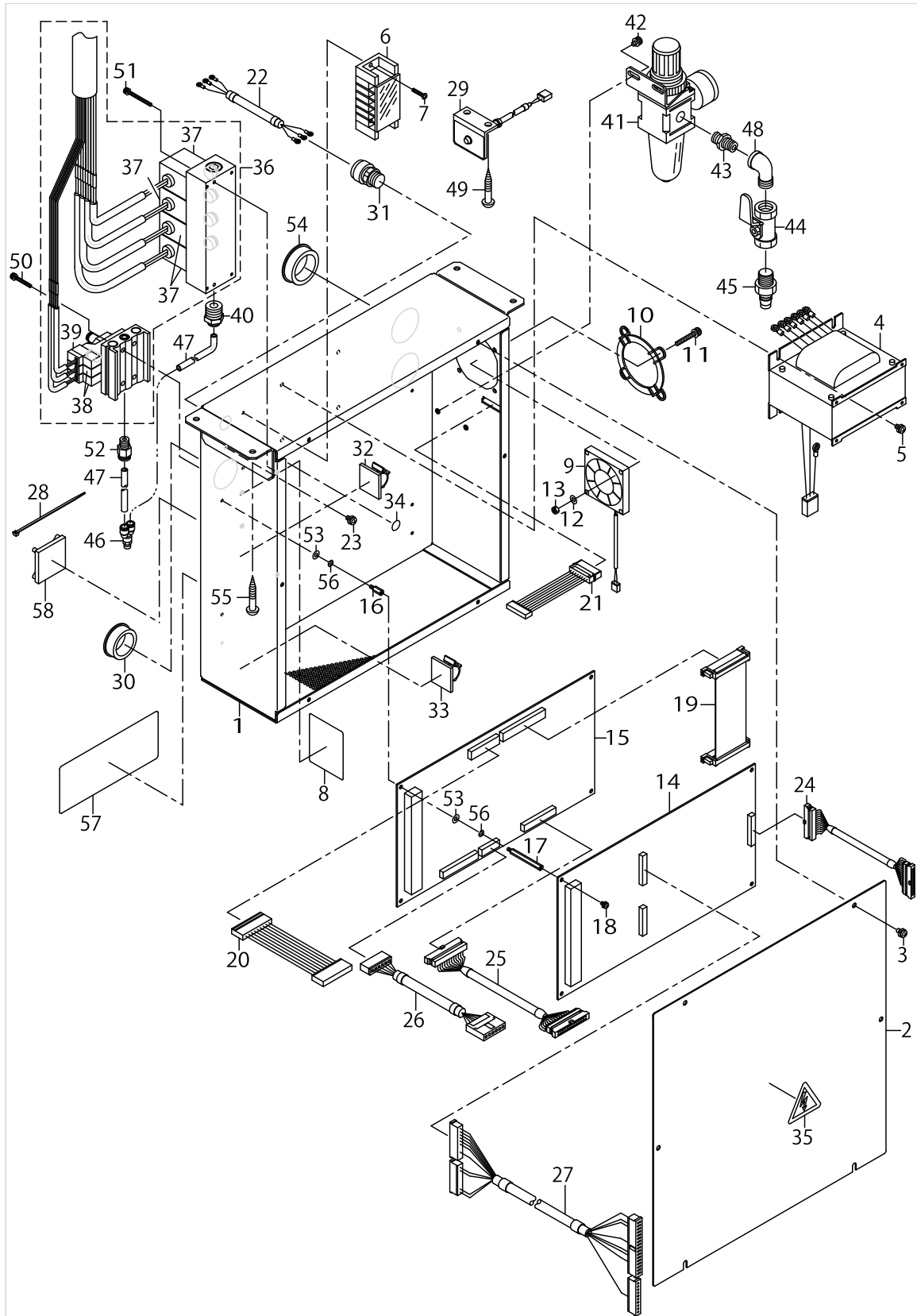
ELECTRICAL BOX COMPONENTS (FOR AW-2A,AW-2C)



ELECTRICAL BOX COMPONENTS (FOR AW-2A,AW-2C)

No.	Supply Code	Parts No.	Replacement	Parts name	Remarks	Choice	Step	Level	Cons	Qty	Rep. QTY
1		GAW02741D00		ELECTRICAL BOX						1	
2		GAW02742D00		ELECTRICAL COVER						1	
3		SL4040891SC		SCREW M4 L=8						6	
4		GAW02753000		POWER TRANSFORMER						1	
5		SL4040891SC		SCREW M4 L=8						4	
6		HK043450060		TERMINAL BASE						1	
7		SL4031681SC		SCREW M3 X 16						2	
8		GAW02782000		VOLTAGE SELECTION SEAL						1	
9		GAW02769DA0		FAN MOTOR ASM.						1	
10		HM0003800A0		FINGER GUARD						1	
11		SL4043091SC		SCREW M4 L=30						4	
12		WP0430801SC		WASHER 4.3X9X0.8						4	
13		NM6040001SC		NUT M4						4	
14		GAW02801BB0		CPU CIRCUIT BOARD MAS. ASM.						1	
15		GAW028020A0		AW2 DRV CIRCUIT BOARD ASM.						1	
16		HX003390000		STUD						5	
17		HX00339000D		SPACER						5	
18		SL4040891SC		SCREW M4 L=8						5	
19		GAW02761000		CPU-DRV CONNEC- TING CORD ASM.						1	
20		GAW027620A0		CPU-DRV POWER CORD ASM.						1	
21		GAW027650A0		EXTERNAL I/F CORD ASM.						1	
22		GAW02752AA0		POWER CORD ASM.						1	
23		SL4040891SC		SCREW M4 L=8						1	
24		GAW02763AA0		CPU-INT CONNECT- ING CORD ASM.						1	
25	D	GAW028340A0		DRV-INT CONNECT- ING CORD ASM.						1	
26		GAW02766AA0		MOTOR CORD ASM.						1	
27		40056577		SC I/F CORD A ASM.						1	
28		EA9500B0100		CABLE BAND						1	
29		GAW028380A0		LED ASM.						1	
30		HX00188000E		BUSH						1	
31		HX00252000B		CORD PART						1	
32		E9609603000		STICKER (LARGE)						1	
33		HX003050000		STICKER						1	
34		E9567319000		EARTH MARK						1	
35		CM300100004		DANGER LABEL (50)						1	
36		GAW027730A0		SOLENOID VALVE ASM.						1	
37		PV120203000		2 PORT SOLENOID VALVE				*		4	
38		PV130204100		3 PORT SOLENOID VALVE				*		2	
39		PV130204000		3 PORT SOLENOID VALVE				*		1	
40		PJ210006200		HALF UNION						1	
41		PF0552070A0		FILTER REGULATOR ASM.						1	
42		SL4040891SC		SCREW M4 L=8						2	
43		PJ030520001		RING JOINT (NIPPLE)						1	
44		PV205201000		BALL VALVE						1	
45		PJ309005203		QUICK JOINT PLUG						1	

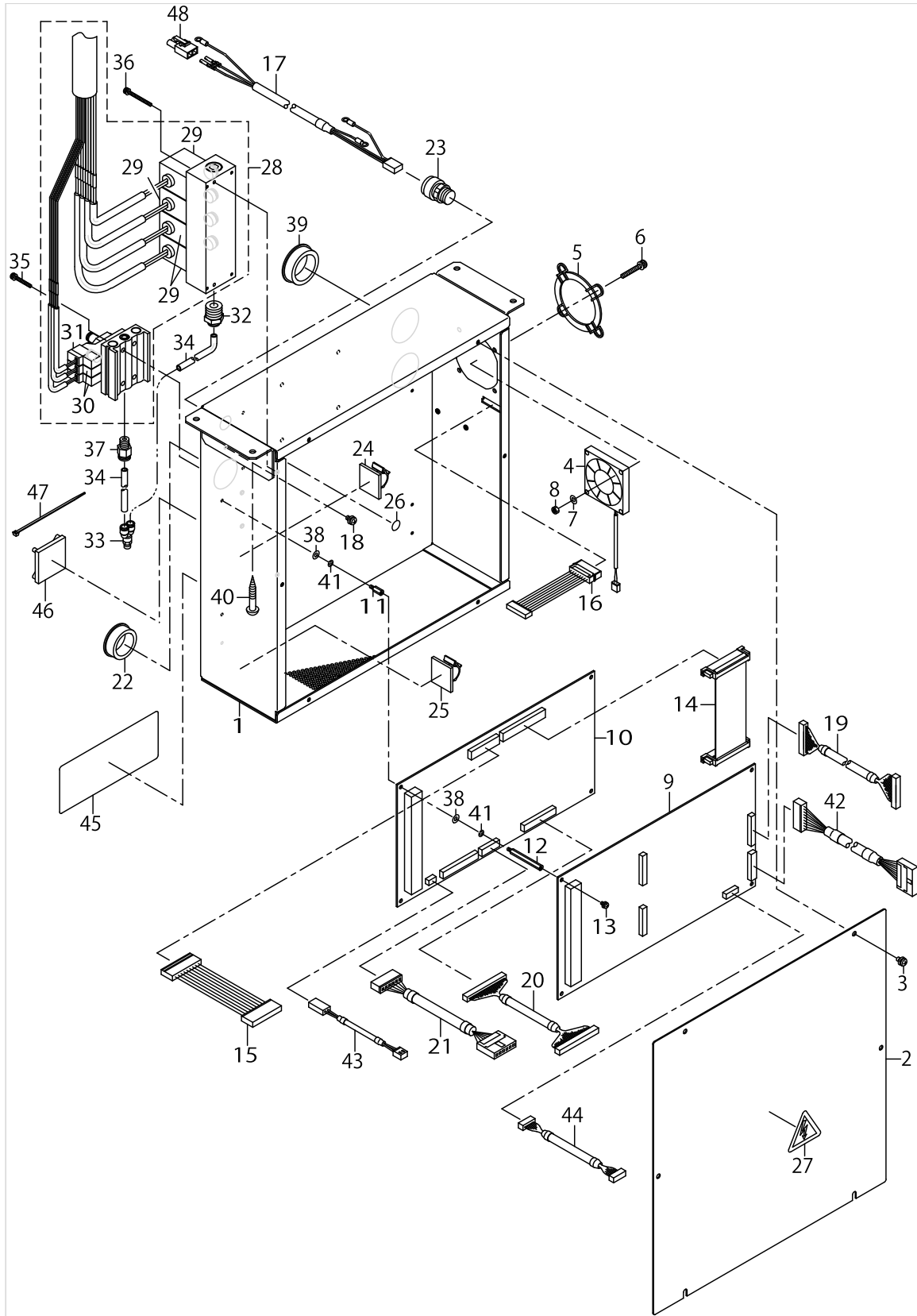
ELECTRICAL BOX COMPONENTS (FOR AW-2A,AW-2C)



ELECTRICAL BOX COMPONENTS (FOR AW-2A,AW-2C)

No.	Supply Code	Parts No.	Replacement	Parts name	Remarks	Choice	Step	Level	Cons	Qty	Rep. QTY
46		PJ308065202		Y-UNION						1	
47		BT0600401EB		TUBE						.9	
48		PJ042520002		ELBOW						1	
49		SK3452500SC		WOOD SCREW D=4.5 L=25						2	
50		SL4032591SC		SCREW M3X25						2	
51	D	SL4033591SC		SCREW M3X35						2	
52		PJ301065103		HALF UNION 6XPT1/8						1	
53		WP0430801SC		WASHER 4.3X9X0.8						10	
54	D	HX00188000F		CORD BUSH						2	
55		SK3513201SE		WOOD SCREW D=5.1 L=32						4	
56		WS0410002KN		SPRING WASHER						10	
57		GAW02784000		RATING LABEL						1	
58		HX002560000		FIXED BASE						1	

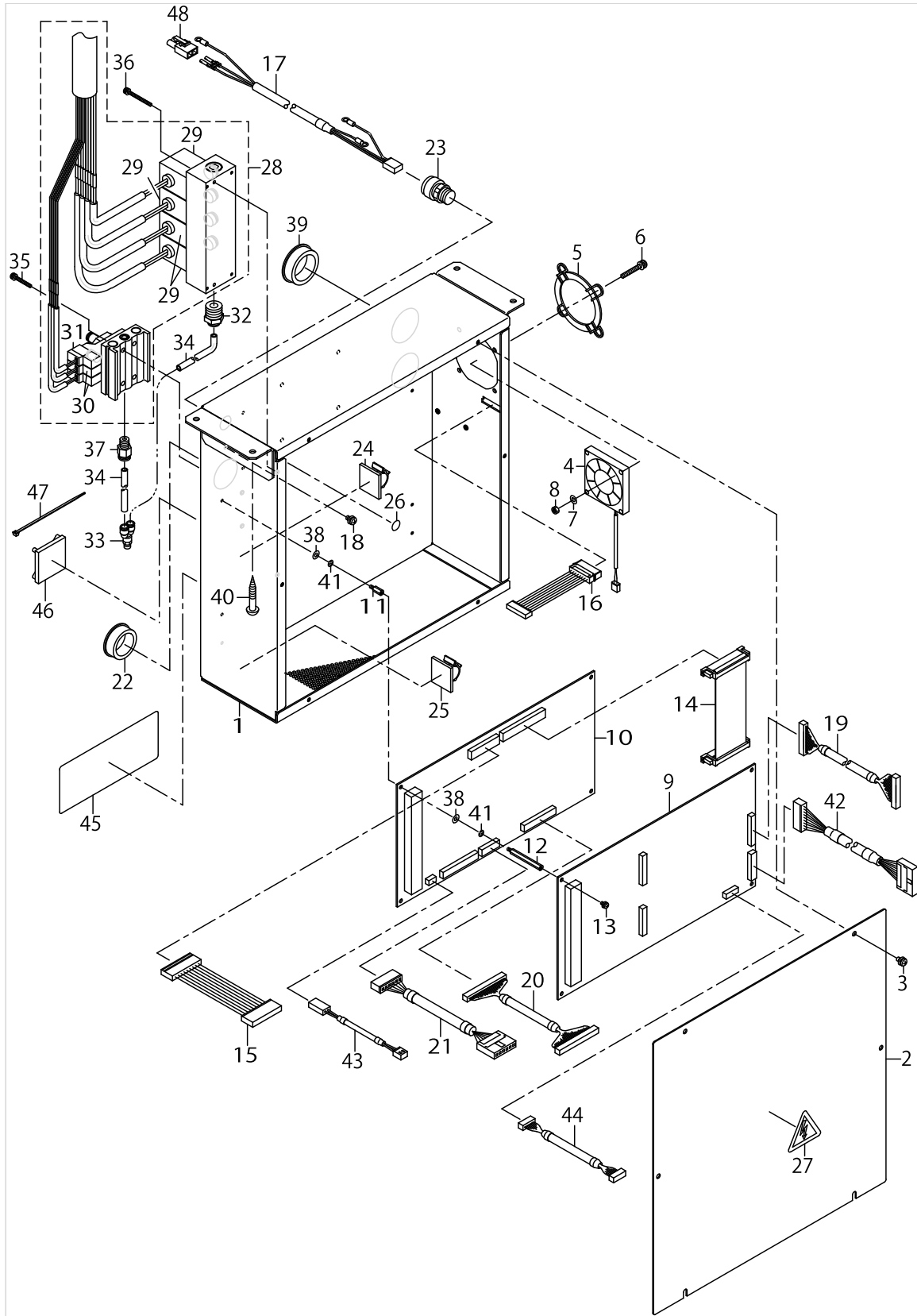
ELECTRICAL BOX COMPONENTS (FOR AW-2D)



ELECTRICAL BOX COMPONENTS (FOR AW-2D)

No.	Supply Code	Parts No.	Replacement	Parts name	Remarks	Choice	Step	Level	Cons	Qty	Rep. QTY
1		GAW02741D00		ELECTRICAL BOX						1	
2		GAW02742D00		ELECTRICAL COVER						1	
3		SL4040891SC		SCREW M4 L=8						6	
4		GAW02769DA0		FAN MOTOR ASM.						1	
5		HM0003800A0		FINGER GUARD						1	
6		SL4043091SC		SCREW M4 L=30						4	
7		WP0430801SC		WASHER 4.3X9X0.8						4	
8		NM6040001SC		NUT M4						4	
9		GAW02801DB0		CPU CIRCUIT BOARD MAS. ASM.						1	
10		GAW02802DA0		AW2 DRV CIRCUIT BOARD ASM.						1	
11		HX003390000		STUD						5	
12		HX00339000D		SPACER						5	
13		SL4040891SC		SCREW M4 L=8						5	
14		GAW02761000		CPU-DRV CONNEC- TING CORD ASM.						1	
15		GAW027620A0		CPU-DRV POWER CORD ASM.						1	
16		GAW027650A0		EXTERNAL I/F CORD ASM.						1	
17		GAW02752DA0		POWER CORD ASM.						1	
18		SL4040891SC		SCREW M4 L=8						1	
19		GAW027630A0		CPU-INT CONNECT- ING CORD ASM.						1	
20		GAW027640A0		DRV-INT CONNECT- ING CORD ASM.						1	
21		GAW02766DA0		MOTOR CORD ASM.						1	
22		HX00188000E		BUSH						1	
23		HX00252000B		CORD PART						1	
24		E9609603000		STICKER (LARGE)						1	
25		HX003050000		STICKER						1	
26		E9567319000		EARTH MARK						1	
27		CM300100004		DANGER LABEL (50)						1	
28		GAW027730A0		SOLENOID VALVE ASM.						1	
29		PV120203000		2 PORT SOLENOID VALVE					*	4	
30		PV130204100		3 PORT SOLENOID VALVE					*	2	
31		PV130204000		3 PORT SOLENOID VALVE					*	1	
32		PJ210006200		HALF UNION						1	
33		PJ308060004		Y UNION						1	
34		BT0600401EB		TUBE						.9	
35		SL4032591SC		SCREW M3X25						2	
36	D	SL4033591SC		SCREW M3X35						2	
37		PJ301065103		HALF UNION 6XPT1/8						1	
38		WP0430801SC		WASHER 4.3X9X0.8						10	
39	D	HX00188000F		CORD BUSH						2	
40		SK3513201SE		WOOD SCREW D=5.1 L=32						4	
41		WS0410002KN		SPRING WASHER						10	
42		GAW02770DA0		SENSOR EXT. CORD ASM.						1	
43		GAW02777DA0		LED ASM. EXTENSION CORD ASM.						1	
44		GAW027760A0		LK I/F CORD ASM.						1	
45		GAW02784D00		RATING LABEL						1	

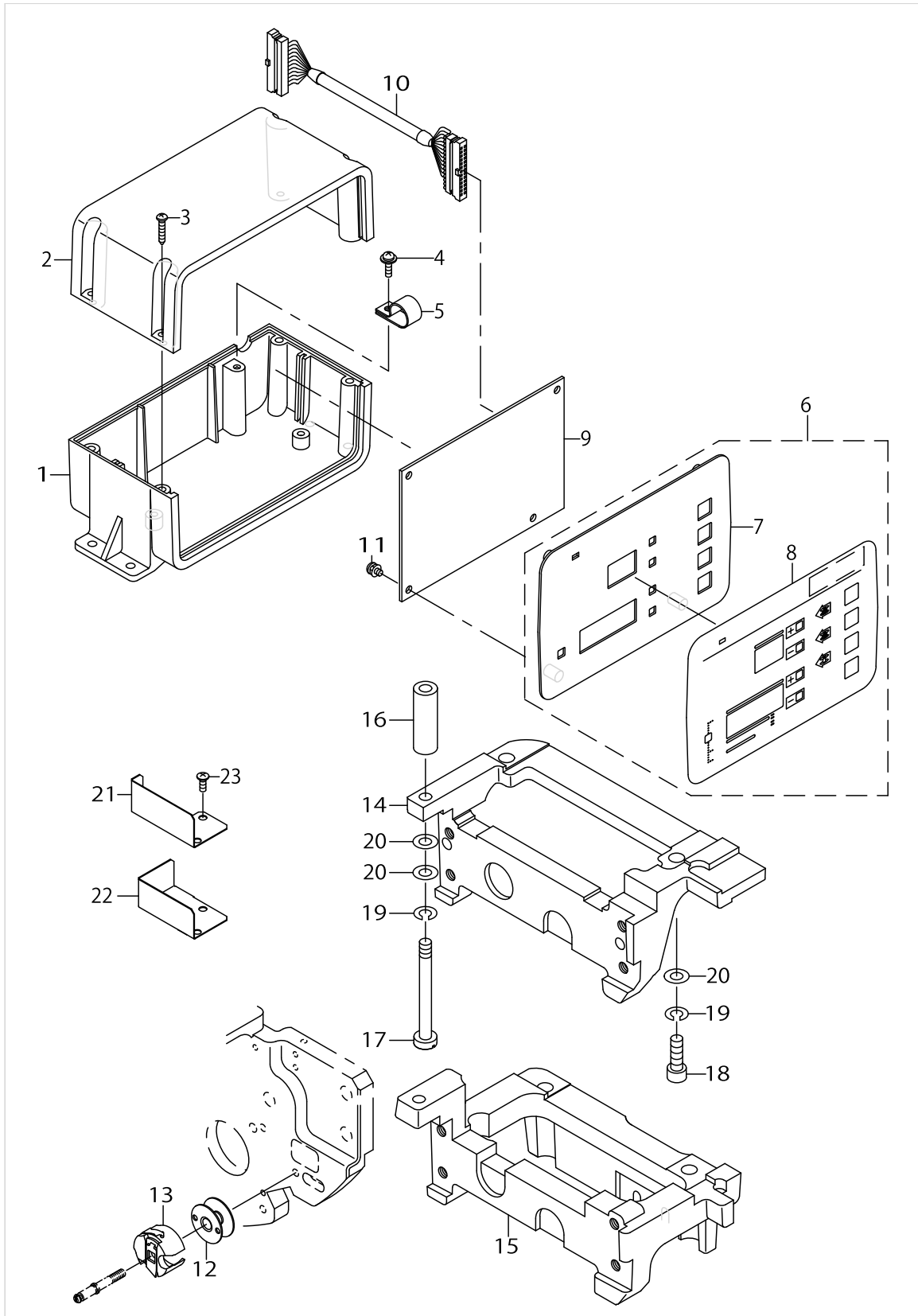
ELECTRICAL BOX COMPONENTS (FOR AW-2D)



ELECTRICAL BOX COMPONENTS (FOR AW-2D)

No.	Supply Code	Parts No.	Replacement	Parts name	Remarks	Choice	Step	Level	Cons	Qty	Rep. QTY
46		HX002560000		FIXED BASE						1	
47		EA9500B0100		CABLE BAND						1	
48		HK004440020		2-POLE RECEPTACLE						1	

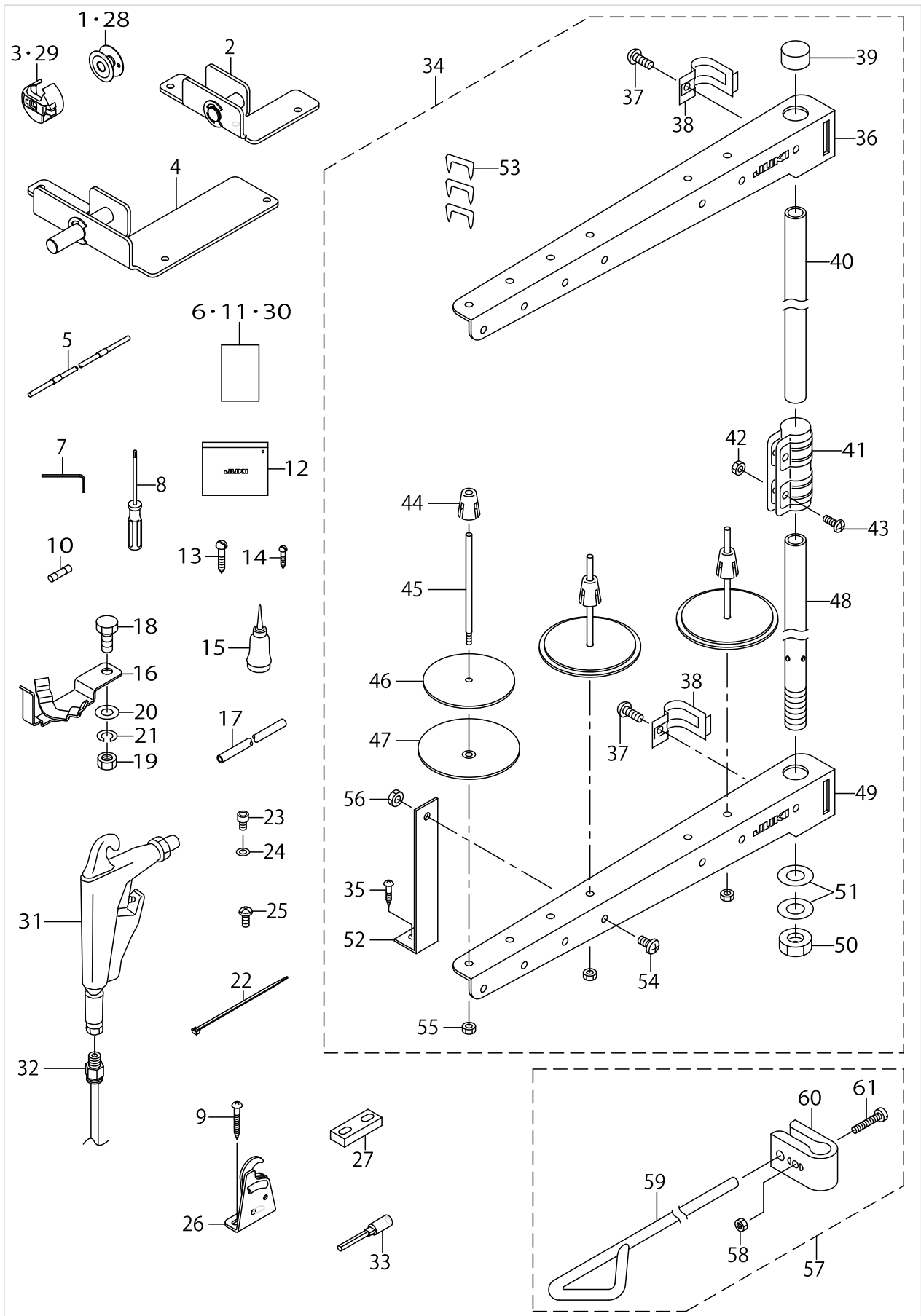
OPERATION BOX COMPONENTS ANOTHER (FOR AW-2A,AW-2C)



OPERATION BOX COMPONENTS ANOTHER (FOR AW-2A,AW-2C)

No.	Supply Code	Parts No.	Replacement	Parts name	Remarks	Choice	Step	Level	Cons	Qty	Rep. QTY
1		M1010590000		OPERATION BOX A						1	
2		M1011590000		OPERATION BOX B						1	
3		ST40316110R		TAPPING SCREW D=3 L=16						4	
4		SV4031006SR		SCREW M3 L=10						1	
5		EA9502B0500		CABLE CLIP						1	
6		GAW02743AA0		OPERATION PANEL PLATE ASM.						1	
7		GAW02743000		OPERATION PANEL PLATE				*		1	
8		GAW02744A00		OPERATION PANEL SEAT				*		1	
9		GAW028040A0		AW2 PANEL BOARD ASM.						1	
10		GAW02774AA0		PANEL CORD ASM.						1	
11		SL4030691SC		SCREW M3X6						4	
12		GAW027060A0		BOBBIN ASM.						1	
13		GAW014210A0		BOBBIN CASE						1	
14		GAW02722000		FITTING ANGLE DDL	FOR AW-2A					1	
15		GAW02722A00		FITTING ANGLE E2	FOR AW-2C					1	
16		GAW02723000		FITTING ANGLE SPACER						1	
17		GAW02724000		FITTING ANGLE BOLT						1	
18		SS6151812TP		SCREW 15/64-28L=18						2	
19		WS0610002KN		SPRING WASHER 6.1X12.2X1.5						3	
20		WP0641601SC		WASHER						4	
21		GAW02406A00		HORIZONTAL FEED COVER 10	FOR AW-2A					1	
22		GAW02406B00		HORIZONTAL FEED COVER E2	FOR AW-2C					1	
23		SM0030801SC		SCREW M3 X 8						2	

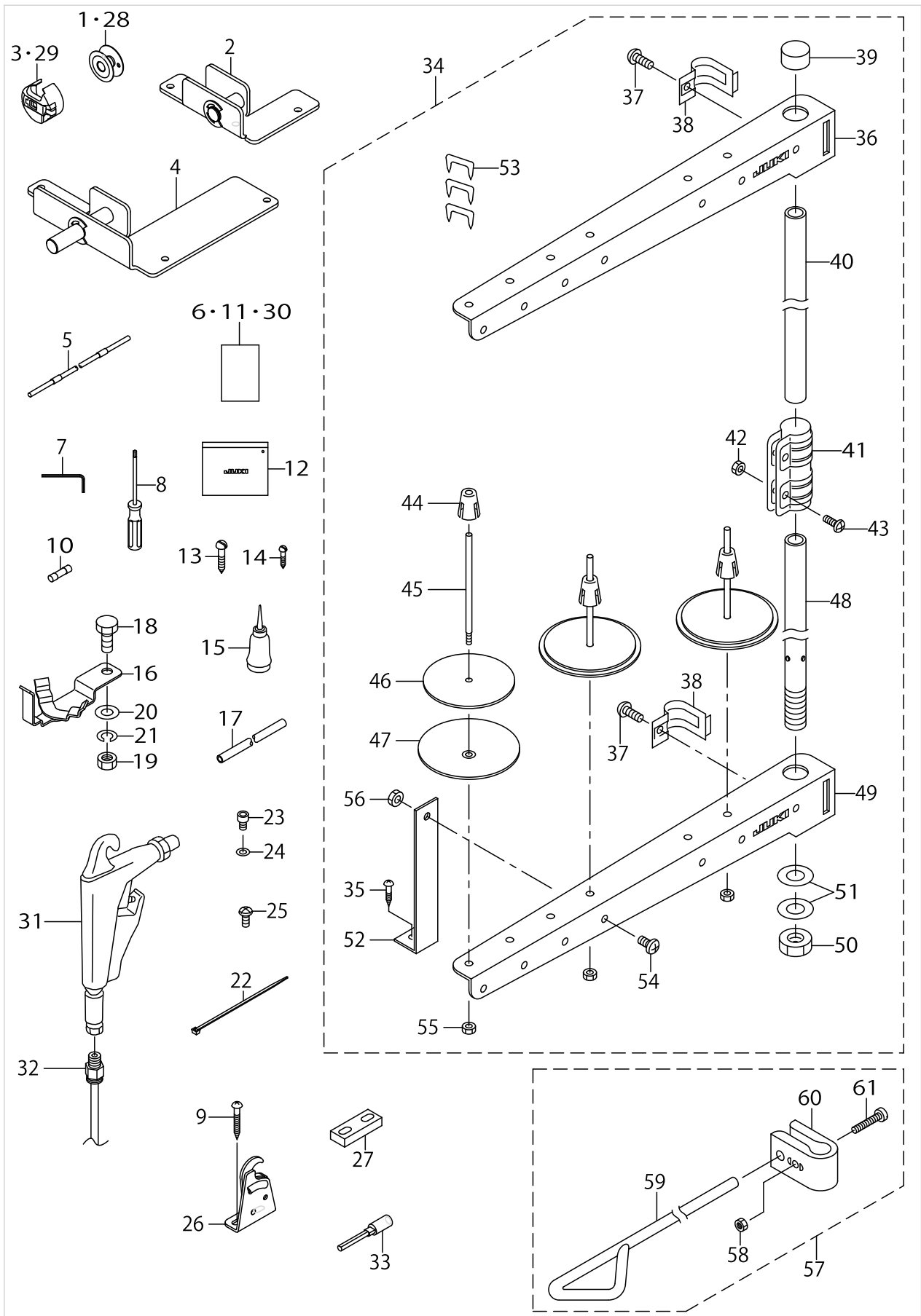
ACCESSORIE PARTS COMPONENTS



ACCESSORIE PARTS COMPONENTS

No.	Supply Code	Parts No.	Replacement	Parts name	Remarks	Choice	Step	Level	Cons	Qty	Rep. QTY
1		GAW025010A0A		BOBBIN ASM.	FOR AW-2					4	
2	D	GAW027260A0		HEADBLOCKBKASM.	FOR AW-2A					1	
3	R	GAW02502000A	GAW025020A0	BOBBIN CASE	FOR AW-2					2	1.00
4		GAW02726AA0		HEADBLOCKBKASM.	FOR AW-2C					1	
5		GAW02522000		CHUCK RELAY TUBE						1	
6		29324209		PARTS LIST AW-2						1	
7		J106600000A		HEXAGONAL ROD S-PANNER 1.5MM						1	
8		11851102		SCREW WRENCH						1	
9		SK3452001SE		WOOD SCREW D=4.5 L=20	FOR AW-2C					2	
10		HF0037060PA		FUSE	FOR AW-2-A,AW-2C,AW-2D					1	
11		29332509		INSTRUCTION MANUAL	FOR AW-2A,AW-2C					1	
12	R	B9101552000	22932800	ACCESSORY BOX	FOR AW-2A,AW-2C					1	1.00
13		SK3452500SC		WOOD SCREW D=4.5 L=25	FOR AW-2A,AW-2C					3	
14	R	SK3311600SC	SK3311601SE	WOOD SCREW D=3.1 L=16	FOR AW-2A,AW-2C					4	1.00
15		B91210120A0		OILER ASM.	FOR AW-2A,AW-2C					1	
16		11074408		SUPPORT BASE	FOR AW-2A,AW-2C					1	
17		BT0600401EB		TUBE	FOR AW-2A,AW-2C					1	
18		SM9082023SE		SCREW M8 L=20	FOR AW-2A,AW-2C					1	
19		NM6080721SE		NUT M8	FOR AW-2A,AW-2C					1	
20		WP0871602SE		WASHER 8.7X18X1.6	FOR AW-2A,AW-2C					1	
21		WS0861410KR		SPRING WASHER 8.6X15X1.4	FOR AW-2A,AW-2C					1	
22		EA9500B0100		CABLE BAND	FOR AW-2A,AW-2C					3	
23		SM6050802TN		BOLT	FOR AW-2C					2	
24		WP0531001SC		WASHER	FOR AW-2C					2	
25		SS4121215SP		SCREW 3/16-28 L=12	FOR AW-2A,AW-2C					3	
26		40051392		MAIN BASE STOPPER	FOR AW-2A,AW-2C					1	
27		GAW02728000		HEAD BLOCK SPACER	FOR AW-2C					1	
28		40022188		BOBBIN ASM	FOR AW-2D					1	
29		GAW02502AA0		BOBBIN CASE ASM.	FOR AW-2D					1	
30		29339405		AW-2D INSTRUCTION MANUAL	FOR AW-2D					1	
31		16111403		AIR GUN	FOR AW-2D					1	
32		PJ301065103		HALF UNION 6XPT1/8	FOR AW-2D					1	
33		GAW02541A00		CHUCK JIG 30	FOR AW-2D					1	
34	R	D3301772TAB	26105551	THREAD STAND ASM.	FOR AW-2D	A	LBH,MOL,AVP			1	1.00
34	R	D3301772TAB	26910158	THREAD STAND ASM.	FOR AW-2D	B	LG,LH,LU			1	1.00
35		SK3382001SE		SCREW D=3.8 L=20				*		1	
36	R	B3319704L00	22931208	THREAD GUIDE				*		1	1.00
37		SM6061610SC		SCREW M6 L=16				*		2	
38		B3318704L00A		THREAD GUIDE ARM JOINT				*		2	
39	R	B3311704000	22931406	SPOOL REST ROD CAP				*		1	1.00
40	R	11185204	40096354	SPOOL REST ROD,UPPER				*		1	1.00
41	R	B3305704000A	40096354	SPOOL REST ROD JOINT				*		1	1.00
42		NM6050001SE		NUT M5				*		2	
43		SM4051405SE		SCREW M5 L=14				*		2	
44	D	11185501		SPOOL RETAINER				*		3	

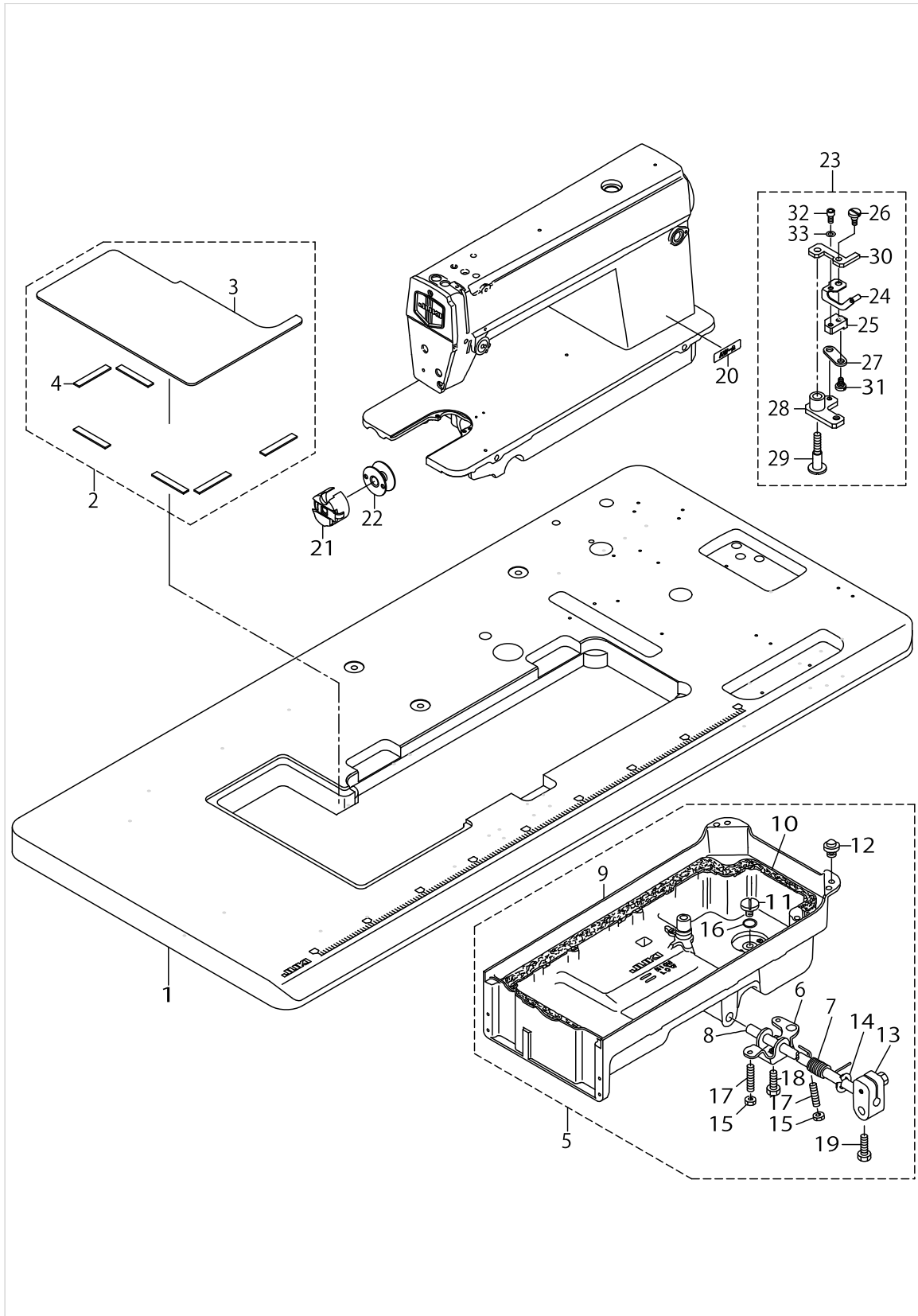
ACCESSORIE PARTS COMPONENTS



ACCESSORIE PARTS COMPONENTS

No.	Supply Code	Parts No.	Replacement	Parts name	Remarks	Choice	Step	Level	Cons	Qty	Rep. QTY
45	R	B3320704L00A	40085790	SPOOL PIN				*		3	1.00
46	D	B3311012000		SPOOL REST CUSHION				*		3	
47	R	11966504	22930804	SPOOL REST				*		3	1.00
48	R	11185105	40096354	SPOOL REST ROD,LOWER				*		1	1.00
49	R	11969508	13168802	SPOOL REST ARM A				*		1	1.00
50	R	B3317704000	NM6160511SE	NUT				*		1	1.00
51		WP1612616SE		WASHER 16X30X2.6				*		2	
52		B3321704L00		SPOOL REST ARM SUPPORT, A				*		1	
53	D	MA011532000		STAPLE				*		3	
54		SM4061201SE		SCREW M6 L=12				*		1	
55		NM6050001SE		NUT M5				*		3	
56		NM6060001SE		NUT M6				*		1	
57		B33094810A0		THREAD GUIDE ARM ASM.	FOR AW-2D					1	
58		NM6050001SC		NUT M5				*		1	
59	D	B3309481000		THREAD GUIDE, LOWER				*		1	
60	D	B3304704000A		THREAD GUIDE ARM HOLDER				*		1	
61		SM6052700SC		SCREW M5 L=27				*		1	

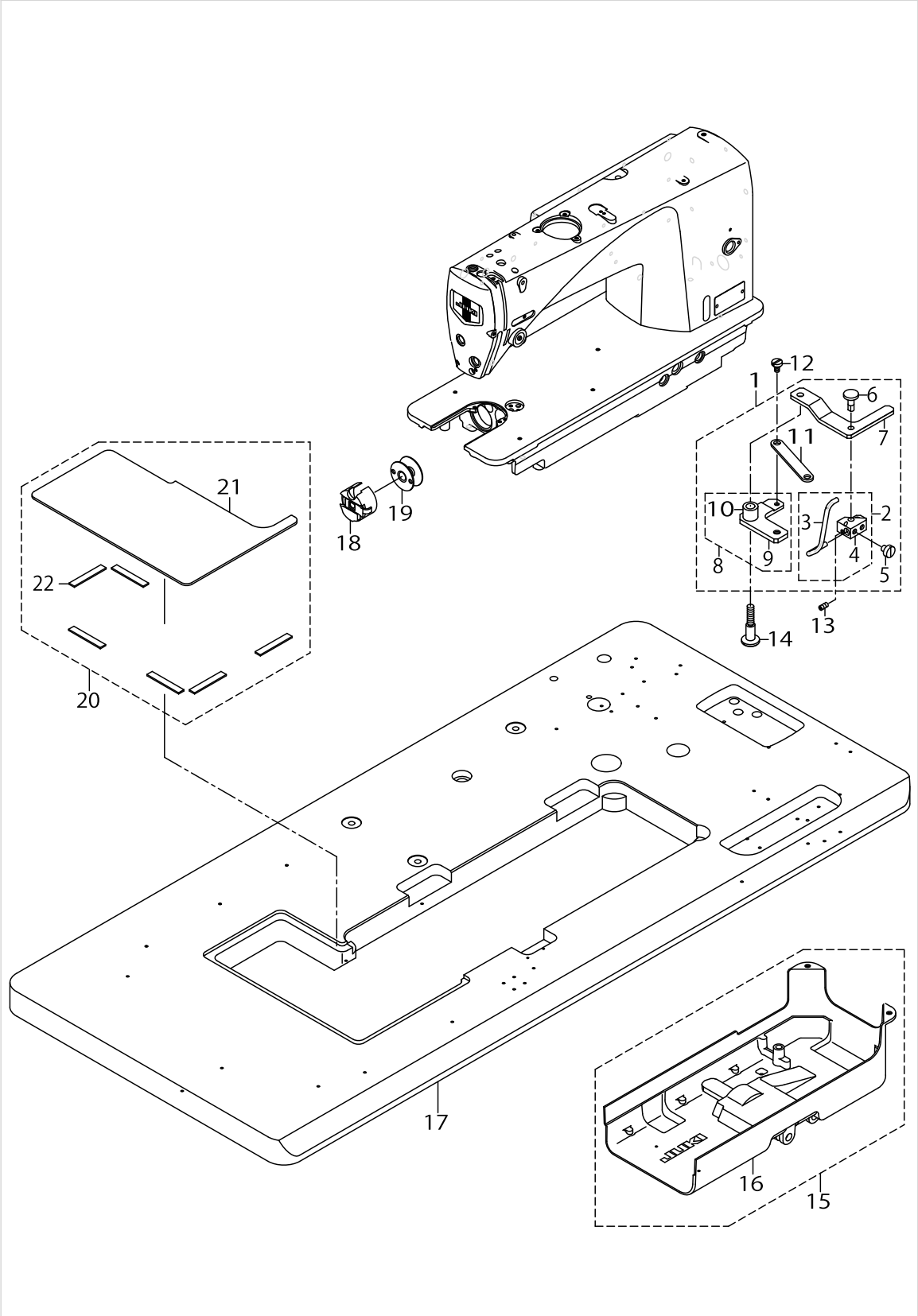
EXCLUSIVE PARTS MACHINE FRAME & TABLE (FOR AW-2A)



EXCLUSIVE PARTS MACHINE FRAME & TABLE (FOR AW-2A)

No.	Supply Code	Parts No.	Replacement	Parts name	Remarks	Choice	Step	Level	Cons	Qty	Rep. QTY
1		20370508		TABLE						1	
2		20370656		TABLE COVER ASM.						1	
3		20370607		TABLE COVER				*		1	
4		20370706		TABLE COVER RUBBER				*		6	
5		20370151		OIL RESERVOIR COMPL.						1	
6	R	11024015	22932156	CONNECTING ROT, VERTICAL				*		1	1.00
7	R	11024106	22932206	SPRING				*		1	1.00
8	R	11024205	22932305	KNEE PRESS ROD				*		1	1.00
9		20370102		OIL RESERVOIR				*		1	
10		11024700		GASKET				*		1	
11		SS6700710SH		SCREW 5/16-24 L=7				*		1	
12		11047107		RUBBER CUSHION				*		2	
13	R	11024510	22932453	BRACKET				*		1	1.00
14		RE1000000K0		E-RING 10				*		1	
15		NM6060001SE		NUT M6				*		2	
16		RO098240100		RUBBER RING				*		1	
17		SM8063012TR		SCREW M6 L=30				*		2	
18		SM9061853SR		SCREW M6 L=17.5				*		1	
19	R	SM9062053SR	22934707	SCREW M6 L=20				*		2	1.00
20		20370805		MODEL NAME PLATE						1	
21		GAW014210A0		BOBBIN CASE						1	
22		GAW027060A0		BOBBIN ASM.						1	
23		20370268		PICKER MAS. ASM.						1	
24		20370250		PICKER ARM ASM.				*		1	
25	D	11083003		PICKER CENTER LINK				*		1	
26		SD0400356TP		STEP-SCREW D=4 H=3.5				*		1	
27		20370409		PICKER MIDDLE LINK				*		1	
28	D	11082351		PICKER LINK ASM.				*		1	
29		SD0601211TP		STEP-SCREW D=6 H=12.1				*		1	
30	D	20370300		PICKER BASE				*		1	
31		SD0450179TP		STEP-SCREW D=4.5 H=1.7				*		2	
32		SM6030602TN		HEX SCREW M3 X 6				*		1	
33		WS0310002KN		SPRING WASHER M3				*		1	

EXCLUSIVE PARTS MACHINE FRAME & TABLE (FOR AW-2C)



EXCLUSIVE PARTS MACHINE FRAME & TABLE (FOR AW-2C)

No.	Supply Code	Parts No.	Replacement	Parts name	Remarks	Choice	Step	Level	Cons	Qty	Rep. QTY
1		23647563		PICKER WHOLE ASM.						1	
2		23647555		PICKER ASM.				*		1	
3		23647506		PICKER				*		1	
4		23647605		PICKER CENTER LINK				*		1	
5		SS6090420SP		SCREW 9/64-40 L=4.0				*		2	
6		23647704		PICKER BASE SD				*		1	
7		23647803		PICKER BASE				*		1	
8		23647951		PICKER LINK ASM.				*		1	
9		23647902		PICKER LINK				*		1	
10		GAW01502000		OILLESS SHAFT HOLDER				*		1	
11		23648009		PICKER MIDDLE LINK				*		1	
12		SD0450179TP		STEP-SCREW D=4.5 H=1.7						2	
13		SM8030612TP		SET SCREW						2	
14		SD0601211TP		STEP-SCREW D=6 H=12.1						1	
15		23648850		UNDER COVER ASM. AW-2						1	
16		23648801		UNDER COVER				*		1	
17	D	23649106		TABLE						1	
18		GAW014210A0		BOBBIN CASE						1	
19		GAW027060A0		BOBBIN ASM.						1	
20		20370656		TABLE COVER ASM.						1	
21		20370607		TABLE COVER				*		1	
22		20370706		TABLE COVER RUBBER				*		6	

LIST FOR INFORMATION OF CHANGE

As to the place changed, refer to the corresponding Rev.No.
 When previous parts(Obsoleted part)and new parts(Added parts)are
 not interchangeable with each other:
 In this case,even obsoleted parts(D.)can be ordered with the
 obsoleted part number,so select the parts with changed dates and
 place your orders.

変更箇所は、該当Rev.No.版をご参照ください。
 部品の互換性がない変更の場合は、削除された品番でも、ご注文できます。

29324209
 No.1254-07・・・Rev.No.

*A:Added parts追加部品/D:Obsoleted parts削除部品/E:Erratum訂正

* Rev. No.	Page No.	Ref. No.	Parts No. 品番	* Rev. No.	Page No.	Ref. No.	Parts No. 品番		
D	06	24	25	E1683-173-000	A	07	24	25	400-84116

HOW TO MAKE USE OF THIS PARTS LIST

1.Explanation of codes

1)"*"mark.....means this part is changed from the previous parts book.

As to the details of the change, refer to the "List for information of change".

2)"#01".....refer to "Note" explanation at bottom of page.

2.Codes on the "Qty" column

- Each numeral indicates the number of parts required.
- "0.1" and "2.5" indicate the length (in meters) of the respective parts.

3.Parentheses mean that the corresponding part is a subpart that constructs an assembly part.

4.Dotted lines on the Figures indicate assembly parts.

1."注記"欄の記号説明

1) "*"印.....前回のパーツブックに比較して今回変更された部品を意味します。

変更内容は、"変更情報リスト"を参照してください。

2) "#01".....ページ下の"注記"の説明を参照してください。

2.数量欄の数字は、個数を表し、0.1、2.5等の数値は、長さ（単位メートル）を表します。

3.数量欄の（ ）は、組部品を構成している子部品であることを意味します。

4.イラストページの-----枠は、組構成であることを意味します。

AW-2 :FOR AVP-875	AVP-875仕様
AW-2A:FOR DLN-5410N-7	DLN-5410N-7仕様
AW-2C:FOR DDL-9000	DDL-9000仕様
AW-2D:FOR LK-1941	LK-1941仕様

NUMERICAL INDEX OF PARTS

PART NO	PAGE	REF NO.	PART NO	PAGE	REF NO.	PART NO	PAGE	REF NO.
11018603	28	18	16121907	38	14	40084116	40	25
11024015	66	6	16121907	46	38	B1405012000	24	13
11024106	66	7	17007402	46	10	B1513210000	10	11
11024205	66	8	18222901	4	81	B3121352000	28	29
11024510	66	13	20370102	66	9	B3126012000	28	27
11024700	66	10	20370151	66	5	B3126012000	32	65
11045002	32	31	20370250	66	24	B3126012000	34	65
11045101	32	29	20370268	66	23	B3132552000	28	28
11045200	32	32	20370300	66	30	B3132552000	32	64
11047107	42	50	20370409	66	27	B3132552000	34	64
11047107	66	12	20370508	66	1	B3304704000A	64	60
11072402	28	22	20370607	66	3	B3305704000A	62	41
11074408	62	16	20370607	68	21	B3309481000	64	59
11082351	66	28	20370656	66	2	B33094810A0	64	57
11083003	66	25	20370656	68	20	B3311012000	64	46
11158300	46	7	20370706	66	4	B3311704000	62	39
11158409	46	8	20370706	68	22	B3317704000	64	50
11158516	46	11	20370805	66	20	B3318704L00A	62	38
11158607	46	9	23636657	28	19	B3319704L00	62	36
11185105	64	48	23647506	68	3	B3320704L00A	64	45
11185204	62	40	23647555	68	2	B3321704L00	64	52
11185501	62	44	23647563	68	1	B8101210AAB	46	5
11244019	40	26	23647605	68	4	B8105210AAA	46	6
11301405	16	34	23647704	68	6	B81085550A0	46	13
11301405	20	23	23647803	68	7	B9101552000	62	12
11851102	62	8	23647902	68	9	B91210120A0	62	15
11966504	64	47	23647951	68	8	BT0400251EB	36	7
11969508	64	49	23648009	68	11	BT0400251EB	38	2
13507405	6	14	23648801	68	16	BT0400251EB	44	2
13507405	10	43	23648850	68	15	BT0600401EB	28	33
13507405	14	26	23649106	68	17	BT0600401EB	34	52
13507405	32	40	29324209	62	6·11·30	BT0600401EB	36	8
13507504	6	15	29332509	62	6·11·30	BT0600401EB	38	3
13507504	10	32	29339405	62	6·11·30	BT0600401EB	44	3
13507504	14	14	40022188	62	1·28	BT0600401EB	54	47
13744909	24	12	40032693	4	77	BT0600401EB	56	34
13786306	30	55	40032715	10	23	BT0600401EB	62	17
13786306	32	33	40032716	10	38	BT0800501EB	34	55
14113450	28	20	40051392	62	26	BT0800501EB	36	9
14118152	46	3	40056512	40	8·9	BT1601001Z0	36	40
14118251	46	4	40056513	40	6·7	BT1601001Z0	38	27
14222152	46	2	40056514	40	8·9	BT1601001Z0	46	39
16111403	42	57	40056515	40	6·7	CM300100004	52	35
16111403	62	31	40056577	52	27	CM300100004	56	27
16121907	36	27	40056692	40	11	CM300200001	16	24

NUMERICAL INDEX OF PARTS

PART NO	PAGE	REF NO.	PART NO	PAGE	REF NO.	PART NO	PAGE	REF NO.
CM300200001	20	16	F1008003000	36	34	GAW02106000	2	7
CS080081ASH	16	38	F1008003000	38	21	GAW02107000	2	8
CS080081ASH	20	27	F1008003000	46	24	GAW02111000	2	9-10
D2304212T0T	32	6	F1009003000	36	35	GAW02112000	2	11
D3129555D00	32	63	F1009003000	38	22	GAW02113000	2	12
D3129555D00	34	63	F1009003000	46	25	GAW02114000	2	13
D3301772TAB	62	34	F1010003000	36	36	GAW02115000	2	14
D7133555B00	28	21	F1010003000	38	23	GAW02116000	2	15
E1855172000	48	53	F1010003000	46	26	GAW02118000	2	16
E2131172000	16	35	G2301309000	28	31	GAW02121000	2	17
E2131172000	20	24	G2301309000	32	66	GAW021220A0	2	18
E6804715000	26	53	G2301309000	34	66	GAW02123000	2	19
E9567319000	52	34	G23013090A0	28	26	GAW02124000	2	20
E9567319000	56	26	G2302309000	28	32	GAW02125000	2	21
E9609603000	36	41	G2302309000	32	67	GAW021260A0	2	22
E9609603000	44	11	G2302309000	34	67	GAW021270A0	2	23
E9609603000	52	32	G5210120000	36	30	GAW021310A0	2	24
E9609603000	56	24	G5210120000	38	17	GAW02132000	2	25
EA9500B0100	24	15	G5210120000	46	20	GAW02133000	2	26
EA9500B0100	28	34	G5841830000	4	65	GAW02134000	2	27
EA9500B0100	34	54	G6036870000	40	23	GAW02135000	2	28
EA9500B0100	52	28	G8010880000	40	24	GAW02136000	2	29
EA9500B0100	58	47	GAW01246000	32	16	GAW02137000	2	30
EA9500B0100	62	22	GAW01248000	28	13	GAW02138000	2	31
EA9500B0200	24	16	GAW01248000	32	20	GAW02139000	4	76
EA9502B0400	38	29	GAW01309000	6	16	GAW02140000	2	32
EA9502B0500	60	5	GAW01309000	10	14	GAW02201000	6	3
F1001003000	36	29	GAW01401000	42	51	GAW022010A0	6	2
F1001003000	38	16	GAW01402000	42	52	GAW02201A00	10	20
F1001003000	46	19	GAW014210A0	60	13	GAW02201A00	14	2
F10010030B0	36	28	GAW014210A0	66	21	GAW02201AA0	10	19
F10010030B0	38	15	GAW014210A0	68	18	GAW02201AA0	14	1
F10010030B0	46	18	GAW01502000	68	10	GAW02202A00	6	25
F1004003000	36	39	GAW01506000	18	70	GAW02202A00	10	25
F1004003000	38	26	GAW01506000	22	64	GAW02203000	6	26
F1004003000	46	42	GAW01507000	2	42	GAW02203000	10	31
F1005003000	36	31	GAW01507000	16	36	GAW02203000	14	13
F1005003000	38	18	GAW01507000	20	25	GAW02204A00	6	6
F1005003000	46	21	GAW02006AA0	38	1	GAW02204A00	10	39
F1006003000	36	32	GAW02006BA0	44	1	GAW02205000	6	7
F1006003000	38	19	GAW021010A0	2	2	GAW02205000	10	40
F1006003000	46	22	GAW02102000	2	3	GAW02205000	14	23
F1007003000	36	33	GAW021030A0	2	4	GAW02206000A	6	8
F1007003000	38	20	GAW02104000	2	5	GAW02207000A	6	9
F1007003000	46	23	GAW02105000	2	6	GAW022080A0	6	10

NUMERICAL INDEX OF PARTS

PART NO	PAGE	REF NO.	PART NO	PAGE	REF NO.	PART NO	PAGE	REF NO.
GAW022080A0	10	33	GAW023020A0	16	3	GAW02357000	24	39
GAW022080A0	14	15	GAW023020A0	20	3	GAW02361000	28	2
GAW02209000	6	11	GAW023050A0	16	4	GAW023610A0	28	1
GAW02209000	10	26	GAW023050A0	20	4	GAW02361A00	32	13
GAW02209000	14	10	GAW02308000	16	5	GAW02361AA0	32	12
GAW02210000	6	12	GAW02308000	20	5	GAW02362000	30	54
GAW02210000	10	28	GAW02309000	16	6	GAW02362A00	32	38
GAW02210000	14	18	GAW02309000	20	6	GAW02363000	28	6
GAW02211000	6	13	GAW02310000	16	7	GAW02363A00	32	21
GAW02211000	14	25	GAW02321000	16	8	GAW02364000	28	7
GAW02211A00	10	42	GAW02321A00	20	45	GAW02364A00	32	18
GAW02212000	10	17	GAW023220A0	16	9	GAW02365000	28	8
GAW02212000	14	32	GAW02322AA0	20	46	GAW02365000	32	25
GAW02213000	6	18	GAW02323000	16	10	GAW023660A0	28	9
GAW02213000	10	36	GAW02323000	20	7	GAW023660A0	32	23
GAW02213000	14	41	GAW02324000	16	11	GAW023680A0	28	10
GAW02221000	6	37	GAW02324000	20	8	GAW023680A0	34	46
GAW02221A00	12	49	GAW02325000	16	12	GAW02369000	28	11
GAW02221AA0	12	48	GAW02325000	20	9	GAW02369000	34	44
GAW02222000	6	40	GAW02326000	16	13	GAW02370000	28	12
GAW02222000	10	9	GAW02326000	20	10	GAW02370000	32	42
GAW02223000	6	27	GAW02327A00	16	14	GAW02371000	32	28
GAW02223000	10	8	GAW02327A00	22	47	GAW023710A0	32	26
GAW022260A0	6	28	GAW02328A00	16	15	GAW02372000	28	14
GAW022260A0	10	3	GAW02328A00	22	48	GAW02372000	32	62
GAW02227000	6	29-30	GAW02330000	18	65	GAW02372000	34	62
GAW02227A00	10	4	GAW02330000	22	61	GAW023720A0	32	1
GAW02228000	6	31	GAW02331000	16	16	GAW02372AA0	34	60
GAW02229000	6	32	GAW02331000	22	50	GAW02373000	28	15
GAW02229000	10	2	GAW02332000	18	67	GAW02373000	34	56
GAW02230000	6	33	GAW02332000	22	49	GAW02374000	28	16
GAW02230000	12	50	GAW02341000	16	17	GAW02374000	34	53
GAW02231000	12	52	GAW02341A00	22	55	GAW02401A00	24	2-43
GAW02232000	12	51	GAW02342000	16	18	GAW02401B00	24	2-43
GAW02241000	14	28	GAW02342000	20	11	GAW02402000	24	3-4-40
GAW02242000	14	9	GAW02343000A	16	19	GAW02402A00	24	3-4-40
GAW02243000	14	22	GAW02343000A	20	12	GAW02403000	6	34-35
GAW02244000	10	35	GAW023510A0	16	20	GAW02403000	24	5-6-41
GAW02244000	14	17	GAW023510A0	20	13	GAW02403A00	10	1
GAW02245000	14	5	GAW02352000	16	21	GAW02403A00	24	5-6-41
GAW02246000	14	21	GAW02352A00	22	56	GAW02404000	24	58
GAW02247000	14	34	GAW023530A0	16	22	GAW02404000	26	58
GAW02248000	14	36	GAW023530A0	20	14	GAW02405000	24	8-42
GAW023010B0	16	2	GAW02354000	16	23	GAW02405A00	24	8-42
GAW023010B0	20	2	GAW02354000	20	15	GAW02406000	26	59

NUMERICAL INDEX OF PARTS

PART NO	PAGE	REF NO.	PART NO	PAGE	REF NO.	PART NO	PAGE	REF NO.
GAW02406A00	60	21	GAW02603000	20	18	GAW027650A0	52	21
GAW02406B00	60	22	GAW02604000	6	36	GAW027650A0	56	16
GAW02406C00	24	44	GAW02604000	10	16	GAW02766AA0	52	26
GAW02407000	24	24	GAW02605000	2	34	GAW02766DA0	56	21
GAW02408000	24	9	GAW02606000	2	35	GAW02767AA0	38	11
GAW02409000	24	10	GAW02607000	2	36	GAW02767DA0	34	59
GAW02410000	26	45	GAW02608000	14	20	GAW02769DA0	52	9
GAW02411000	26	51	GAW02613000	16	28	GAW02769DA0	56	4
GAW025010A0A	62	1·28	GAW02613000	20	20	GAW02770DA0	56	42
GAW02502000A	62	3·29	GAW02621000	2	37	GAW027730A0	52	36
GAW02502AA0	62	3·29	GAW02622000	26	52	GAW027730A0	56	28
GAW02521000	36	1	GAW02701000	2	9·10	GAW02774AA0	60	10
GAW02522000	62	5	GAW02702000	24	3·4·40	GAW02775AA0	38	12·13
GAW02541A00	62	33	GAW02703000	6	34·35	GAW02775CA0	38	12·13
GAW02552000	42	63	GAW02703000	24	5·6·41	GAW027760A0	56	44
GAW02553000	40	12	GAW02705000	6	29·30	GAW02777DA0	56	43
GAW02554000	40	13	GAW027060A0	60	12	GAW02782000	52	8
GAW02555000	40	14	GAW027060A0	66	22	GAW02784000	54	57
GAW02556000	40	15	GAW027060A0	68	19	GAW02784D00	56	45
GAW02557000	40	16	GAW02711000	42	48	GAW028010B0	50	1
GAW02557A00	40	17	GAW02711A00	42	49	GAW02801BB0	52	14
GAW02558000	40	18	GAW02722000	60	14	GAW02801DB0	56	9
GAW02558A00	40	19	GAW02722A00	60	15	GAW028020A0	50	2
GAW02559000	40	20	GAW02723000	60	16	GAW028020A0	52	15
GAW02559000	46	36	GAW02724000	60	17	GAW02802DA0	56	10
GAW02560000	40	21	GAW027260A0	62	2	GAW028030A0	24	1
GAW02561000	40	22	GAW02726AA0	62	4	GAW028040A0	60	9
GAW02563000	40	10	GAW02728000	62	27	GAW028170A0	28	17
GAW02565000	42	62	GAW02741D00	52	1	GAW028170A0	32	39
GAW02566000	40	1	GAW02741D00	56	1	GAW028270A0	24	11
GAW02571000	48	47	GAW02742D00	52	2	GAW02831000	50	3
GAW02572000	48	48	GAW02742D00	56	2	GAW028320A0	50	4
GAW02573000	48	49	GAW02743000	60	7	GAW028330A0	36	22
GAW02574000	48	50	GAW02743AA0	60	6	GAW028340A0	36	23
GAW02575000	48	51	GAW02744A00	60	8	GAW028340A0	52	25
GAW02577000	48	52	GAW02752AA0	52	22	GAW028350A0	50	5
GAW02578000	48	54	GAW02752DA0	56	17	GAW028360A0	36	24
GAW02579000	46	32	GAW02753000	52	4	GAW028370A0	36	25
GAW02581000	46	1	GAW02761000	52	19	GAW028380A0	36	26
GAW02601000	2	33	GAW02761000	56	14	GAW028380A0	46	43
GAW02601000	16	25	GAW027620A0	52	20	GAW028380A0	52	29
GAW02601000	20	17	GAW027620A0	56	15	GAW028390A0	50	6
GAW02602000	16	27	GAW027630A0	56	19	GAW028410A0	36	2
GAW02602000	20	19	GAW02763AA0	52	24	GAW02851000	2	38
GAW02603000	16	26	GAW027640A0	56	20	GAW02852000	2	39

NUMERICAL INDEX OF PARTS

PART NO	PAGE	REF NO.	PART NO	PAGE	REF NO.	PART NO	PAGE	REF NO.
GAW02853000	16	29	HX00354000K	50	10	PA0600504A0	32	68
GAW02853000	22	60	J106600000A	62	7	PA0600504A0	34	68
GAW02854000	16	30	M1010590000	60	1	PA1001026A0	2	43
GAW02854000	22	57	M1011590000	60	2	PA1001027A0	16	39
GAW02855000	8	48	M85905130AA	46	41	PA1001027A0	20	28
GAW02855000	10	12	MA011532000	64	53	PC012406000	36	10
GAW02856000	16	31	MAT81163T00	42	56	PC012406000	38	4
GAW02856000	22	58	MAT81163T00	46	45	PC012406000	44	4
GAW028610A0	2	40	NM6030001SC	46	35	PC012601000	36	11
GAW028620A0	2	41	NM6030002SC	4	48	PC012601000	38	5
GAW028630A0	16	32	NM6030003SC	16	43	PC012601000	44	5
GAW028630A0	20	21	NM6030003SC	20	30	PF0552070A0	52	41
GAW028640A0	16	33	NM6030003SC	50	9	PJ030520001	52	43
GAW028640A0	20	22	NM6040000SN	48	62	PJ032039001	24	20
HD00057000A	28	35	NM6040001SC	6	38	PJ032054001	40	27
HD00057000A	34	50	NM6040001SC	10	56	PJ042520002	54	48
HF0037060PA	62	10	NM6040001SC	12	56	PJ046039001	16	40
HK004440020	58	48	NM6040001SC	14	40	PJ046052503	2	44
HK043450060	52	6	NM6040001SC	16	44	PJ046052503	22	59
HM0003800A0	52	10	NM6040001SC	40	46	PJ046052503	24	14
HM0003800A0	56	5	NM6040001SC	52	13	PJ046052503	28	39
HM000860010	50	7	NM6040001SC	56	8	PJ046052503	32	11
HX00150000B	24	17	NM6040002SE	4	74	PJ046054002	8	49
HX00150000C	24	18	NM6040002SE	24	21	PJ210006200	36	43
HX00150000E	28	36	NM6050001SC	28	25	PJ210006200	52	40
HX00150000E	34	48	NM6050001SC	32	36	PJ210006200	56	32
HX00150000G	24	19	NM6050001SC	64	58	PJ301040001	36	12
HX00150000H	36	18	NM6050001SE	62	55	PJ301040001	38	6
HX00150000K	36	19	NM6050001SE	64	55	PJ301040001	44	6
HX00188000E	52	30	NM6060001SE	64	56	PJ301065103	36	44
HX00188000E	56	22	NM6060001SE	66	15	PJ301065103	42	58
HX00188000F	54	54	NM6080002SC	4	75	PJ301065103	54	52
HX00188000F	56	39	NM6080721SE	62	19	PJ301065103	56	37
HX00252000B	52	31	NM6120001SE	46	14	PJ301065103	62	32
HX00252000B	56	23	NM6160511SE	28	37	PJ303040002	36	13
HX002560000	54	58	NM6160511SE	32	37	PJ303040002	38	7
HX002560000	58	46	NM6850001SC	24	22	PJ303040002	44	7
HX003050000	52	33	NS6110350SP	16	45	PJ304040504	16	41
HX003050000	56	25	NS6110350SP	20	31	PJ304060502	12	53
HX00337000A	26	56	NS6110420SP	28	38	PJ308040002	44	9
HX003390000	52	16	NS6110420SP	32	27	PJ308060001	44	10
HX003390000	56	11	NS6110530SP	28	24	PJ308060004	36	14
HX00339000D	52	17	NS6660430SP	32	61	PJ308060004	38	8
HX00339000D	56	12	NS6660430SP	34	61	PJ308060004	42	61
HX00354000J	26	47	PA0600504A0	28	30	PJ308060004	56	33

NUMERICAL INDEX OF PARTS

PART NO	PAGE	REF NO.	PART NO	PAGE	REF NO.	PART NO	PAGE	REF NO.
PJ308060006	36	15	SD0601211TP	68	14	SL6030892TN	18	66
PJ308060006	38	9	SK1413200SC	40	39	SL6030892TN	20	62
PJ308065202	54	46	SK3311600SC	62	14	SL6030892TN	22	62
PJ308080001	36	16	SK3382001SC	46	46	SL6030892TN	24	23
PJ309005203	52	45	SK3382001SE	62	35	SL6030892TN	28	45
PJ4010008A0	36	17	SK3412001SE	38	28	SL6030892TN	30	45
PJ4010008A0	38	10	SK3452001SE	62	9	SL6030892TN	34	49
PJ4010008A0	44	8	SK3452500SC	54	49	SL6031042TN	4	57
PV120203000	36	3	SK3452500SC	62	13	SL6031092TN	4	58
PV120203000	52	37	SK3482501SE	40	59	SL6031092TN	6	41
PV120203000	56	29	SK3482501SE	42	59	SL6031092TN	10	44
PV130204000	36	5	SK3482501SE	46	37	SL6031092TN	14	27
PV130204000	52	39	SK3512001SE	42	55	SL6031092TN	18	53
PV130204000	56	31	SK3512001SE	48	57	SL6031092TN	20	51
PV130204100	36	4	SK3513201SE	46	17	SL6031092TN	22	51
PV130204100	52	38	SK3513201SE	54	55	SL6031092TN	24	26
PV130204100	56	30	SK3513201SE	56	40	SL6031092TN	36	20
PV205201000	52	44	SK3514001SE	42	53	SL6031292TN	4	59
RE0300000K0	16	46	SL4030691SC	60	11	SL6031292TN	14	31
RE0300000K0	20	32	SL4031681SC	52	7	SL6031292TN	18	55
RE0400000K0	6	17	SL4032591SC	36	45	SL6031292TN	20	37
RE0400000K0	10	34	SL4032591SC	54	50	SL6031292TN	32	41
RE0400000K0	14	16	SL4032591SC	56	35	SL6031492TN	26	49
RE0400000K0	28	40	SL4033591SC	36	6	SL6031642TN	18	56
RE0400000K0	34	47	SL4033591SC	54	51	SL6031642TN	20	38
RE0600000K0	4	50	SL4033591SC	56	36	SL6032092TN	6	42
RE1000000K0	66	14	SL4040891SC	52	42	SL6032092TN	10	45
RO098240100	66	16	SL4040891SC	56	18	SL6040892TN	4	62
SB104001500	28	4	SL4041091SC	40	36	SL6040892TN	26	57
SB104001500	32	14	SL4043091SC	52	11	SL6040892TN	30	47
SB105001500	6	4	SL4043091SC	56	6	SL6040892TN	34	58
SB105001500	10	21	SL4051091SC	36	42	SL6041042TN	4	66
SB105001500	14	3	SL6030592TN	26	48	SL6041092TN	4	61
SB106000900	6	5	SL6030692TN	4	51	SL6041092TN	18	68
SB106000900	10	22	SL6030692TN	6	39	SL6041092TN	20	53
SB106000900	14	4	SL6030692TN	18	54	SL6041092TN	22	53
SB108000200	4	45	SL6030692TN	20	63	SL6041092TN	40	32
SB108000500	4	46	SL6030692TN	22	63	SL6041292TN	4	79
SB230000100	2	1	SL6030692TN	24	54	SL6041292TN	6	44
SD0400356TP	66	26	SL6030692TN	26	54	SL6041292TN	10	57
SD0450179TP	66	31	SL6030692TN	28	42	SL6041292TN	12	57
SD0450179TP	68	12	SL6030692TN	32	19	SL6041292TN	14	38
SD0550211SP	16	42	SL6030892TN	4	56	SL6041692TN	4	63
SD0550211SP	20	29	SL6030892TN	10	18	SL6041692TN	14	37
SD0601211TP	66	29	SL6030892TN	14	33	SL6041692TN	18	59

NUMERICAL INDEX OF PARTS

PART NO	PAGE	REF NO.	PART NO	PAGE	REF NO.	PART NO	PAGE	REF NO.
SL6041692TN	22	54	SM6030802TN	30	49	SV4031006SR	60	4
SL6042092TN	6	45	SM6030802TN	34	51	WP0220301SC	24	31
SL6042092TN	12	47	SM6041602TN	40	40	WP0320501SC	4	80
SL6042092TN	14	30	SM6044002TP	18	61	WP0320501SC	18	69
SL6042592TN	4	64	SM6050802TN	62	23	WP0320501SC	46	34
SL6042592TN	12	54	SM6052700SC	64	61	WP0330516SC	50	11
SL6043592TN	40	45	SM6061610SC	62	37	WP0430801SC	4	78
SL6051292TN	24	37	SM6851602TN	24	29	WP0430801SC	6	46
SL6051292TN	36	21	SM8030302TP	4	67	WP0430801SC	10	55
SL6051292TN	46	40	SM8030302TP	6	23	WP0430801SC	12	55
SL6062092TN	24	27	SM8030302TP	10	15	WP0430801SC	14	39
SL9082091SE	46	12	SM8030302TP	18	63	WP0430801SC	24	32
SM0030601SC	14	35	SM8030302TP	20	43	WP0430801SC	30	53
SM0030601SC	30	48	SM8030302TP	24	50	WP0430801SC	34	43
SM0030601SC	34	57	SM8030302TP	26	50	WP0430801SC	40	42
SM0030801SC	26	60	SM8030302TP	30	52	WP0430801SC	48	61
SM0030801SC	46	33	SM8030312TP	6	50	WP0430801SC	52	53
SM0030801SC	60	23	SM8030312TP	8	50	WP0430801SC	54	53
SM0040601SC	40	43	SM8030312TP	10	41	WP0430801SC	56	38
SM0040801SC	40	35	SM8030312TP	14	42	WP0451016SP	28	3
SM0041001SC	40	2	SM8030312TP	32	24	WP0451016SP	40	4
SM0042501SN	10	10	SM8030602TP	4	68	WP0482086SD	40	47
SM0050801SC	48	63	SM8030612TP	68	13	WP0482086SD	42	47
SM0051001SC	30	56	SM8040402TP	4	70	WP0531001SC	30	50
SM0051001SC	32	34	SM8040402TP	16	64	WP0531001SC	32	35
SM1032001SC	4	60	SM8040402TP	18	64	WP0531001SC	62	24
SM1033501SC	50	8	SM8040402TP	20	44	WP0550836SC	48	58
SM1040801SC	48	55	SM8040412TP	6	24	WP0553216SD	40	60
SM1041201SC	48	59	SM8040412TP	10	29	WP0553216SD	42	60
SM4030501SB	36	37	SM8040412TP	14	19	WP0641601SC	24	33
SM4030501SB	38	24	SM8040412TP	18	62	WP0641601SC	60	20
SM4030501SB	46	27	SM8040412TP	20	42	WP0841601SC	4	72
SM4041001SB	36	38	SM8040612TP	4	47	WP0871602SE	62	20
SM4041001SB	38	25	SM8050812TP	4	71	WP1302501SE	46	15
SM4041001SB	46	28	SM8063012TR	66	17	WP1612616SE	64	51
SM4051405SE	62	43	SM9061853SR	66	18	WS0210002KN	24	34
SM4055501SC	48	56	SM9062053SR	66	19	WS0310002KN	50	12
SM4061201SE	64	54	SM9082023SE	62	18	WS0310002KN	66	33
SM6021002TN	24	28	SS2090640TP	16	37	WS0410002KN	10	6
SM6030402TN	28	5	SS2090640TP	20	26	WS0410002KN	24	55
SM6030402TN	32	15	SS4121215SP	62	25	WS0410002KN	26	55
SM6030602TN	4	53	SS6090420SP	68	5	WS0410002KN	40	41
SM6030602TN	66	32	SS6151812TP	60	18	WS0410002KN	48	60
SM6030802TN	18	60	SS6700710SH	66	11	WS0410002KN	54	56
SM6030802TN	20	41	ST40316110R	60	3	WS0410002KN	56	41

NUMERICAL INDEX OF PARTS

PART NO	PAGE	REF NO.
WS0411002KN	8	47
WS0610002KN	24	36
WS0610002KN	60	19
WS0820002KN	4	73
WS0861410KR	62	21
WS1253010KN	46	16