

MODEL : LH-3126F

List No : 1261-04

# PARTS LIST

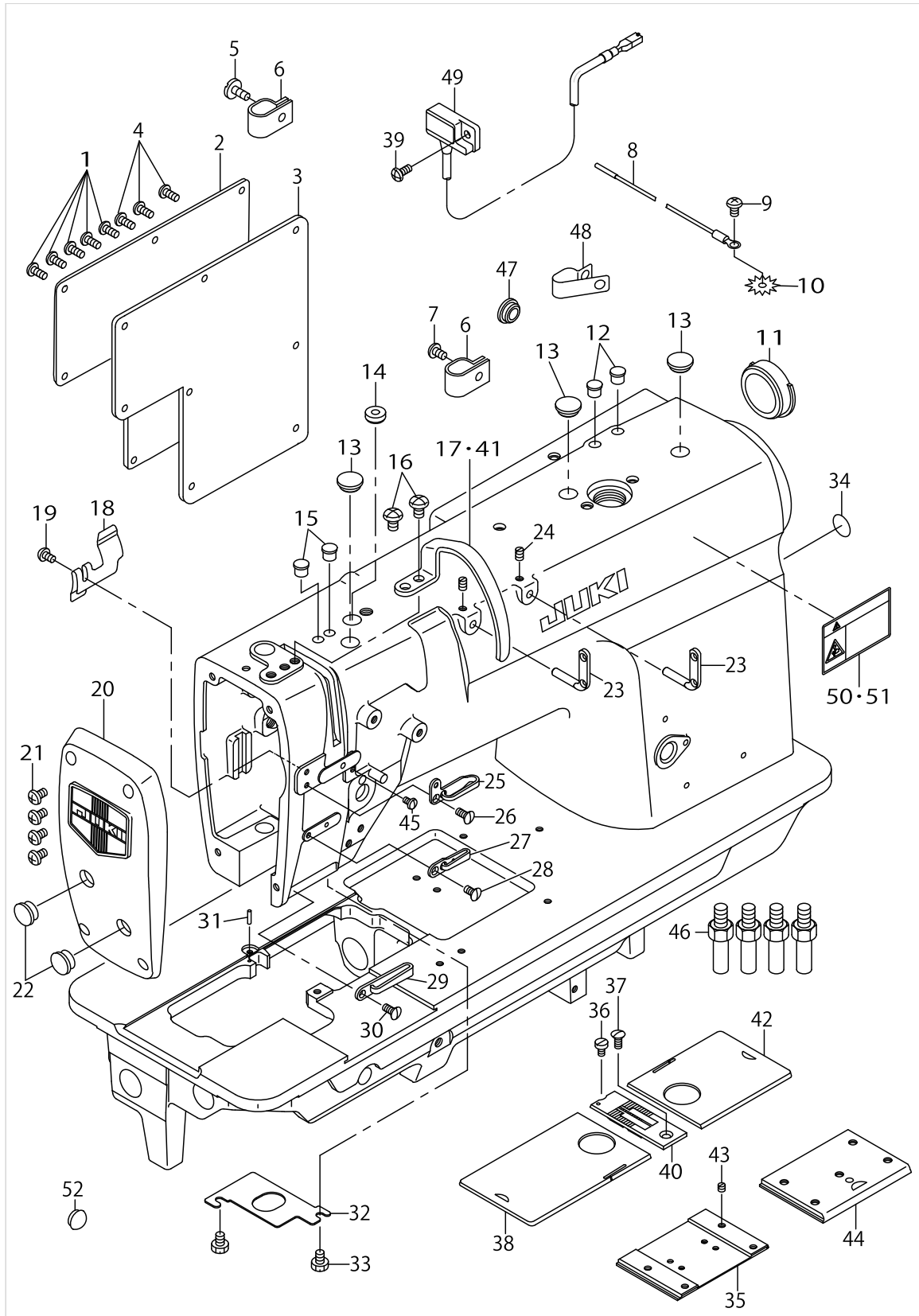
Published:05/12/2017

## CONTENTS

---

FRAME & MISCELLANEOUS COVER COMPONENTS .....	1
MAIN SHAFT, THREAD TAKE-UP & NEEDLE BAR COMPONENTS .....	5
TENSION POST COMPONENTS .....	9
HOOK & HOOK DRIVING SHAFT COMPONENTS .....	11
FEED MECHANISM COMPONENTS.....	15
PRESSER BAR & TENSION RELEASE COMPONENTS.....	19
AUTOMATIC REVERSE FEED MECHANISM COMPONENTS (FOR LH-3126F-OB).....	23
LUBRICATION COMPONENTS .....	25
BELT COVER & BOBBIN WINDER COMPONENTS .....	29
OIL RESERVOIR & KNEE LIFTER COMPONENTS.....	31
THREAD STAND COMPONENTS.....	33
TABLE OF EXCHANGING GAUGE PARTS.....	35
LIST FOR INFORMATION CHANGE .....	37
HOW TO MAKE USE OF THIS PARTS LIST .....	38

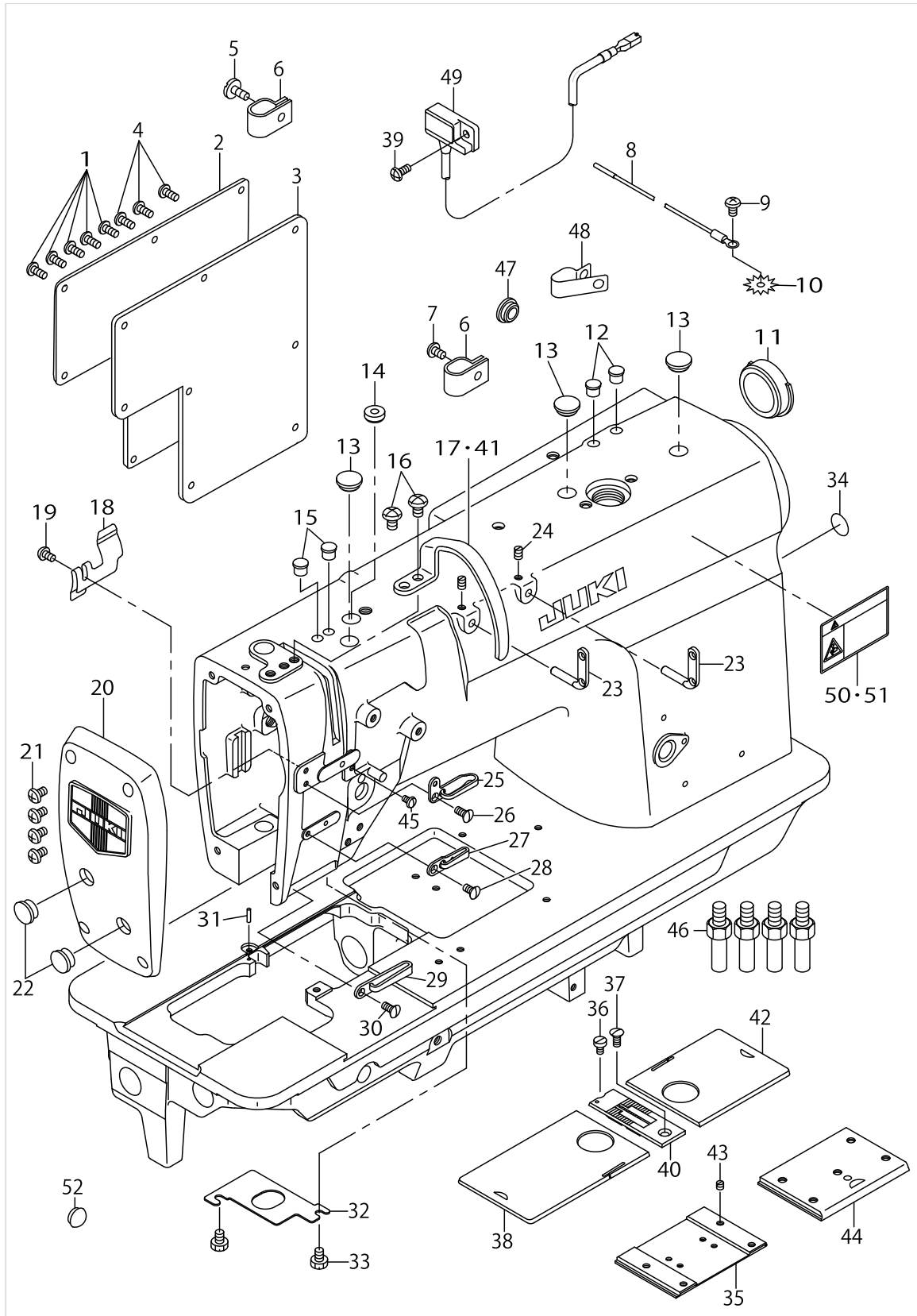
FRAME & MISCELLANEOUS COVER COMPONENTS



FRAME & MISCELLANEOUS COVER COMPONENTS

No.	Supply Code	Parts No.	Replacement	Parts name	Remarks	Choice	Step	Level	Cons	Qty	Rep. QTY
1		SS4110815SP		SCREW 11/64-40 L=8						5	
2		10602902		SLIDE PLATE						1	
3		10101004		GASKET						1	
4		SS4110815SP		SCREW 11/64-40 L=8	FOR LH-3126F					3	
5		SS6111140SP		SCREW 11/64-40 L=11	FOR LH-3126F-OB					3	
6		D2112555B00		CORD HOLDER, LARGE	FOR LH-3126F-OB					2	
7		SS4120615SP		SCREW 3/16-28 L=6	FOR LH-3126F-OB					1	
8		22951552		GROUND WIRE ASM.	FOR LH-3126F-OB					1	
9		SS4120615SP		SCREW 3/16-28 L=6	FOR LH-3126F-OB					1	
10		WT0530002KS		TOOTHED WASHER D=5.3	FOR LH-3126F-OB					1	
11		22619100		CAP						1	
12		TA0490601R0		PLUG D=4.9X5.5 L=6						2	
13		TA1250406R0		RUBBER PLUG D=12.5 L=4						3	
14		22620900		CAP						1	
15		TA0750704R0		RUBBER PLUG						2	
16		SS4150915SP		SCREW 15/64-28 L=9						2	
17	D	22602007		THREAD TAKE-UP LEVER OIL GUARD	EXCEPT J-APAN & JE					1	
18		23204803		LUBRICATING GUIDE						1	
19		SS3090610SP		SCREW 9/64-40 L=6						1	
20		22602254		FACE PLATE ASM.						1	
21		SS4121015SP		SCREW 3/16-28 L=10						4	
22		TA1250406R0		RUBBER PLUG D=12.5 L=4						2	
23		22920706		TWO EYELET						2	
24		SS8120740SP		SCREW 3/16-28 L=7						2	
25	D	22811400		THREAD GUIDE(UPPER), LEFT						1	
26	R	SS2090710SP	SS2090710TP	SCREW 9/64-40 L=7						1	1.00
27		22603112		THREAD GUIDE						1	
28		SS2090710TP		SCREW 9/64-40 L=7.2						1	
29	R	22603203	SS2090810SP	THREAD GUIDE(LOWER)	EXCEPT JAPAN	A				1	1.00
29	R	22603203	40084142	THREAD GUIDE(LOWER)	EXCEPT JAPAN	A				1	1.00
30	R	SS2090710SP	SS2090710TP	SCREW 9/64-40 L=7						1	1.00
31		B1104051000		THROAT PLATE PIN						1	
32		22602304		PLATE						1	
33		SS9110460CP		SCREW 11/64-40 L=4						2	
34	R	10004109	22901805	GROUND MARK						1	1.00
35		23206709		BED SLIDE (FRONT) A	SELECTIVE PART					1	
36	R	SS6090630SP	SS6090630TP	SCREW 9/64-40 L=6						1	1.00
37		SS2110920TP		SCREW 11/64-40 L=8.5						1	
38		22601058		BED SLIDE LEFT, ASM., A						1	
39		SS4111015SP		SCREW 11/64-40 L=10	FOR LH-3126F-OB					1	
40		22625503		THROAT PLATE 1/4	EXCHANGING GAUGE PARTS (SEE P.23, 24)					1	
41		22818009		BALANCE COVER(FOR JE)	FOR JE, JAPAN					1	
42		22600555		BED SLIDE RIGHT, ASM., A						1	
43		SS8110410TP		SCREW 11/64-40 L= 3.5	SELECTIVE PART					1	

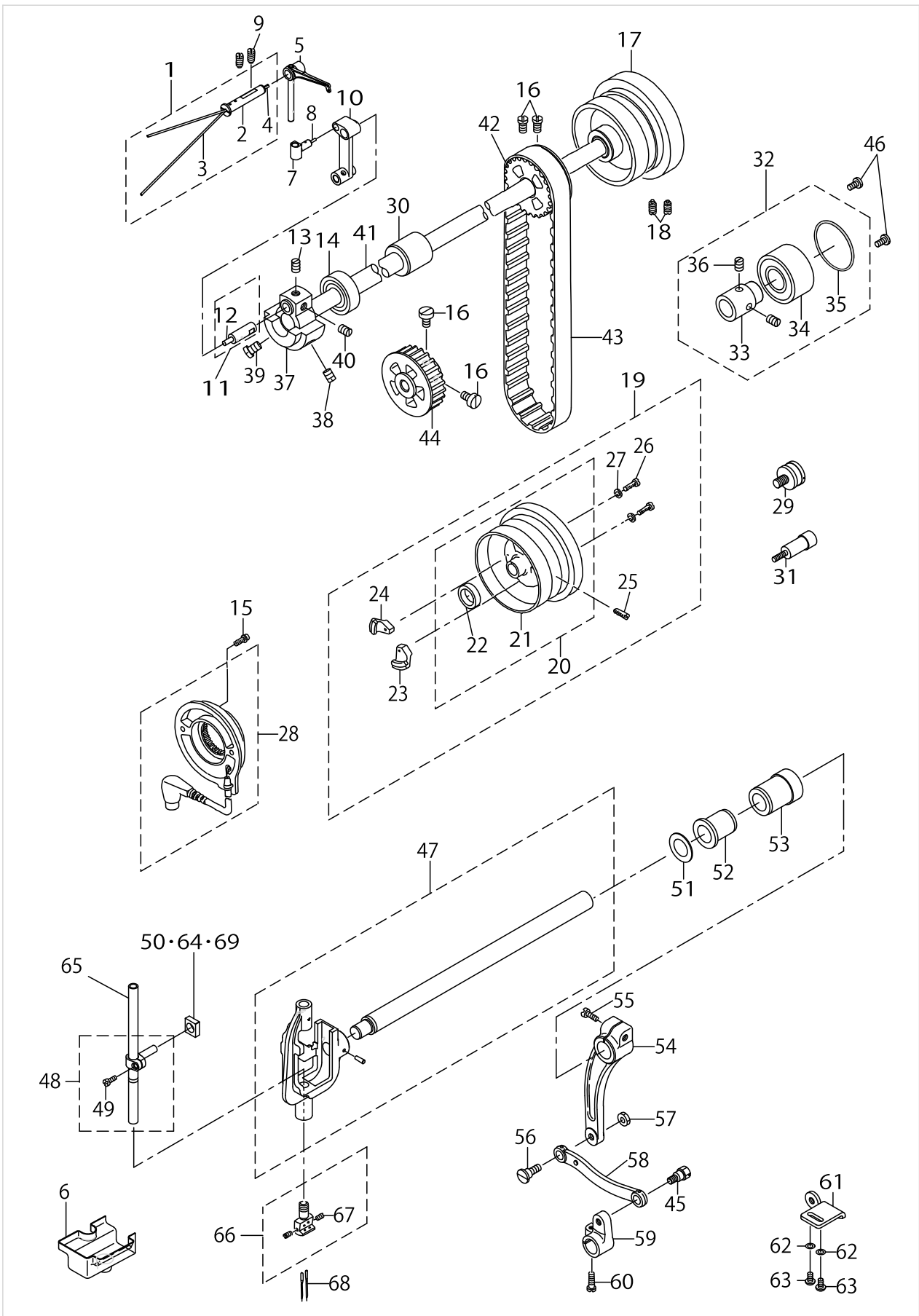
FRAME & MISCELLANEOUS COVER COMPONENTS



FRAME & MISCELLANEOUS COVER COMPONENTS

No.	Supply Code	Parts No.	Replacement	Parts name	Remarks	Choice	Step	Level	Cons	Qty	Rep. QTY
44	R	B11100510A0	22650055	BED SLIDE ASM.						1	1.00
45		SS5090610SP		SCREW 9/64-40 L=6						1	
46		22602601		BED SCREW STUD						4	
47		TA1250406R0		RUBBER PLUG D=12.5 L=4						1	
48		D2112555B00		CORD HOLDER, LARGE	FOR LH-3126F-0B					3	
49		M6046350AAA		RESISTANCE PACK ASM, AA.	FOR LH-3126F-0B					1	
50		CM3002001A1		SAFETY LABEL,3 (SMALL).	EXCEPT J- APAN & JE					1	
51		CM300200101		SAFETY LABEL, 1(SMALL).	FOR JAPAN					1	
52		TA1250406R0		RUBBER PLUG D=12.5 L=4						1	

MAIN SHAFT, THREAD TAKE-UP & NEEDLE BAR COMPONENTS

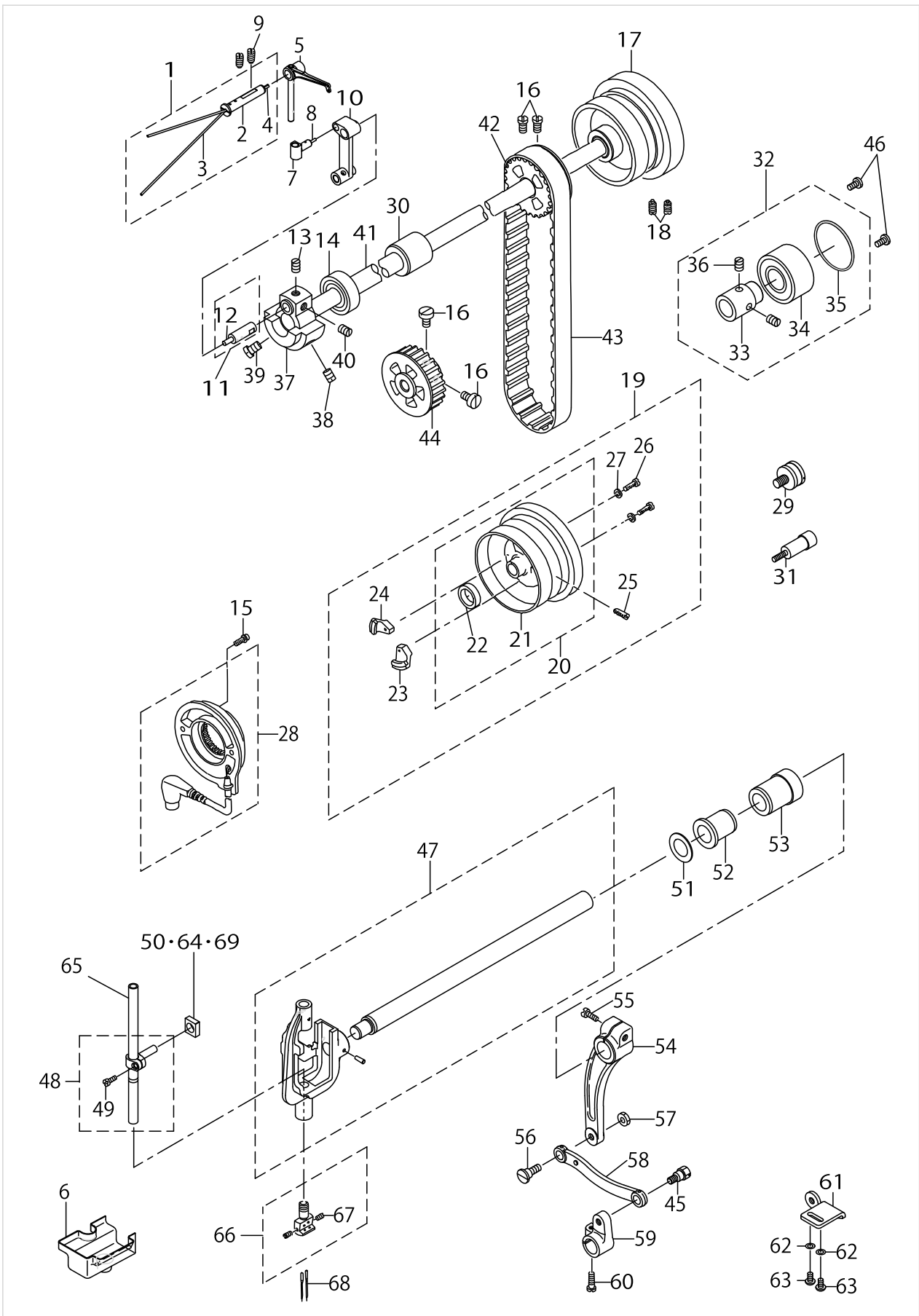


MAIN SHAFT, THREAD TAKE-UP & NEEDLE BAR COMPONENTS

No.	Supply Code	Parts No.	Replacement	Parts name	Remarks	Choice	Step	Level	Cons	Qty	Rep. QTY
1		22605356		THREAD TAKE-UP LEVER PIN ASM.						1	
2		22605307		THREAD TAKE-UP LEVER PIN				*		1	
3		CQ202000000		OIL WICK				*		0.48	
4		CQ252000000		OIL WICK				*		0.04	
5		23203904		TAKE-UP LEVER C						1	
6	D	22606800		OIL GUARD RUBBER						1	
7		22605406		TAKE-UP LEVER THRUST PIN						1	
8		CQ252000000		OIL WICK						.03	
9		SS8151150TP		SCREW 15/64-28 L=10.5						2	
10		23204308		NEEDLE BAR CRANK ROD						1	
11		B12105260A0		NEEDLE BAR CRANK PIN ASM.						1	
12		CQ505000000		OIL WICK				*		0.1	
13		SS8680540SP		SCREW 9/32-28 L=4.5						1	
14		B1202512000		MAIN SHAFT BUSHING, FRONT						1	
15		10604809		SCREW	FOR LH-3126F-0B					2	
16		SS6661110SP		SCREW 1/4-40 L=11						4	
17		22604508		HAND WHEEL	FOR LH-3126F					1	
18		SS8151550SP		SCREW 15/64-28 L=15	FOR LH-3126F					2	
19		22651566		HAND WHEEL ASM.	FOR LH-3126F-0B					1	
20		22651558		HAND WHEEL				*		1	
21	D	22651509		HAND WHEEL				*		1	
22		M4002110000		GENERATOR ROTOR				*		1	
23		M40071100AA		MAGNET FITTING BASE A ASM.				*		1	
24		M40071100AB		MAGNET FITTING BASE B ASM.				*		1	
25		SS8151550SP		SCREW 15/64-28 L=15				*		2	
26		SS6111210SP		SCREW 11/64-40 L=12				*		2	
27		WP0450801SD		WASHER 4.5X10X0.8				*		2	
28	R	11032562	22937965	DYNAMO STATOR	FOR LH-3126F-0B					1	1.00
29		22622401		SYNCRO FRNGE	OPTIONAL PARTS					1	
30		22603906		UPPER SHAFT INNER METAL						1	
31		22622351		SENSOR SUPPORT SHAFT ASM.	OPTIONAL PARTS					1	
32		22604656		THRUST COLLAR ASM.						1	
33		22604607		THRUST COLLAR				*		1	
34		SB120000100		BEARING D=20X47				*		1	
35		RO437200200		RUBBER RING				*		1	
36		SS8660530TP		SCREW 1/4-40 L= 4.5				*		2	
37	D	22604409		COUNTERWEIGHT						1	
38		SS8681650TP		SCREW 9/32-28 L=16						1	
39		SS7681750TP		SCREW 9/32-28 L=16.5						1	
40		SS8680810TP		SCREW 9/32-28 L=8.0						1	
41		22604003		MAIN SHAFT						1	
42		22604904		UPPER SPROCKET						1	
43		22604300		TIMING BELT						1	
44		23208408								1	
45		SD0870603TP		HINGE SCREW D=8.73 H=6						1	
46		SS7120760SP		SCREW 3/16-28 L=7.0						2	



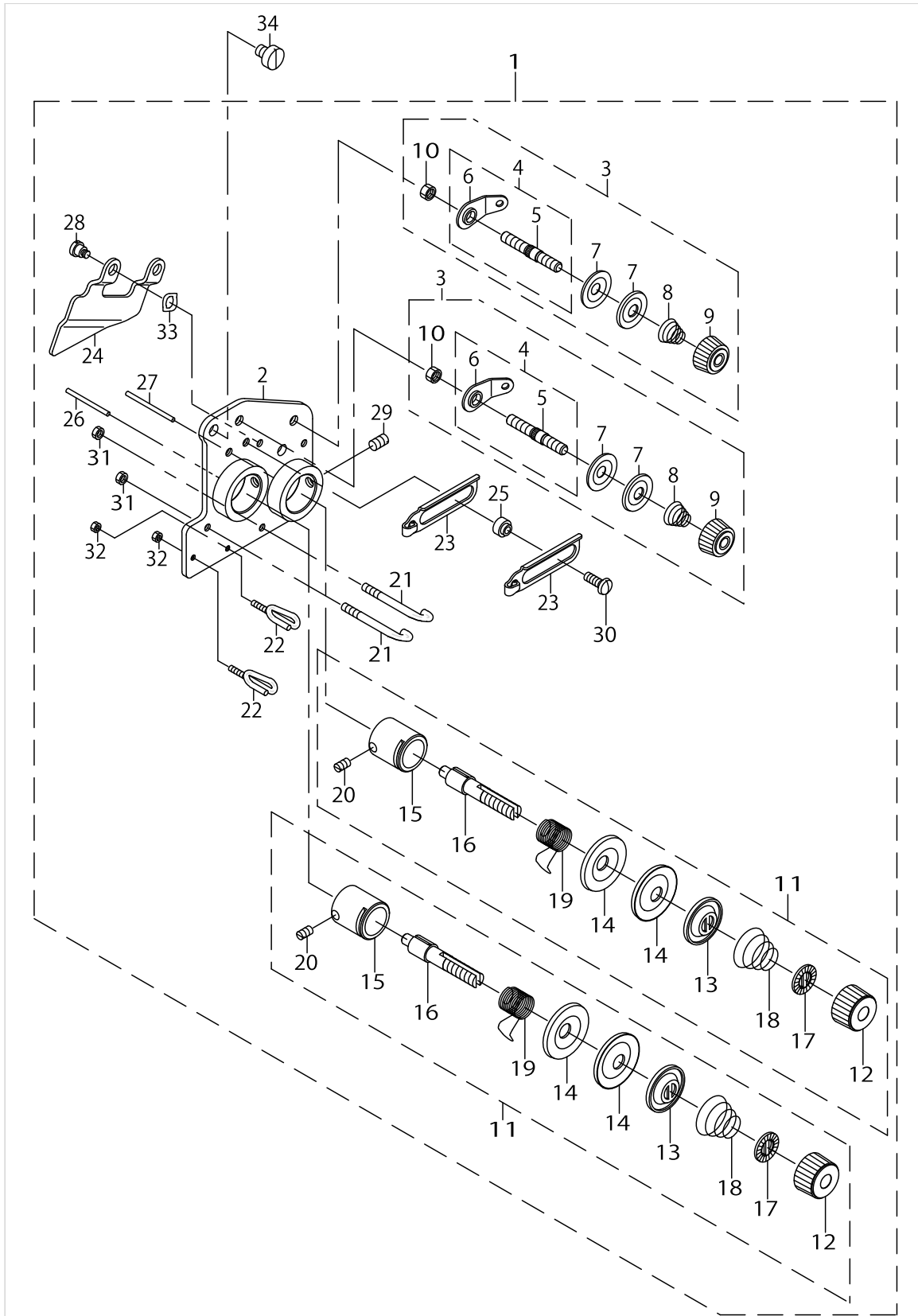
MAIN SHAFT, THREAD TAKE-UP & NEEDLE BAR COMPONENTS



MAIN SHAFT, THREAD TAKE-UP & NEEDLE BAR COMPONENTS

No.	Supply Code	Parts No.	Replacement	Parts name	Remarks	Choice	Step	Level	Cons	Qty	Rep. QTY
47		23204258		NEEDLE BAR ROCKING BASE ASM.						1	
48		10104859		NEEDLE BAR CONNECTION ASM.						1	
49	R	SS7090910SP	SS7090910TP	SCREW 9/64-40 L=8.5				*		1	1.00
50		23204506		ROCKING ROD SQUARE BLOCK A	SELECTIVE PARTS					1	
51		B1438512B00		WASHER 17.1X28X1.5	SELECTIVE PARTS					1	
52		22607303		BUSHING						1	
53		22607402		BUSHING						1	
54		22607006		REAR ARM						1	
55		SS6152440SP		SCREW 15/64-28 L=23.5						1	
56		SD0870601SP		HINGE SCREW D= 8.73 H= 6.0						1	
57		NS6150430SP		NUT 15/64-28						1	
58		22607105		DRIVING ROD						1	
59	R	22607204	22607253	DRIVING ARM						1	1.00
60		SS6121610TP		SCREW 3/16-28 L=15.5						1	
61	D	23200306		ROCKING ROD FIXING PLATE						1	
62		WP0480856SP		WASHER 4.8X8.4X0.8						2	
63		SS4110815SP		SCREW 11/64-40 L=8						2	
64		23204605		ROCKING ROD SQUARE BLOCK B	SELECTIVE PARTS					1	
65	D	22651905		NEEDLE BAR						1	
66		10148054		NEEDLE CLAMP ASM. 1/4	ORDER FOR NEEDLE CLAMP ONLY CANNOT BE ACCEPTED.					1	
67		SS8080660TP		SCREW 1/8-44 L=5.5				*		2	
68		MDP500B1000		NEEDLE DPX5 #10						2	
69		23204704		ROCKING ROD SQUARE BLOCK C	SELECTIVE PARTS					1	

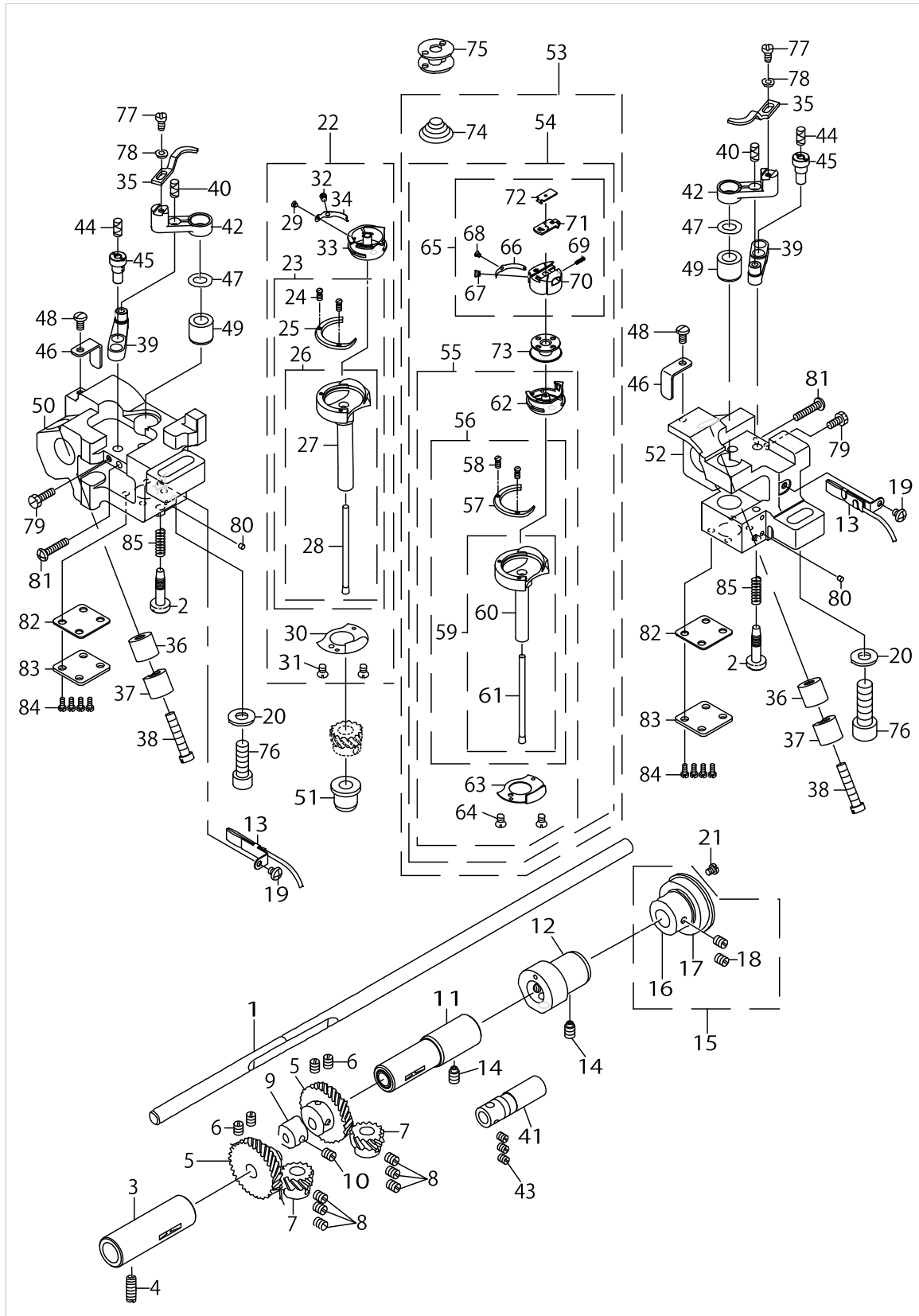
# TENSION POST COMPONENTS



TENSION POST COMPONENTS

No.	Supply Code	Parts No.	Replacement	Parts name	Remarks	Choice	Step	Level	Cons	Qty	Rep. QTY
1		23202955		THREAD TENSION ASM.						1	
2		23203052		THREAD TENSION PLATE COMPL.				*		1	
3		22529481		BOBBIN THREAD TENSION ASM.				*		2	
4		22529473		BOBBIN THREAD T- ENSION ROD ASM.				*		1	
5	R	22529515	22529473	BOBBIN THREAD TENSION ROD				*		1	1.00
6	R	22529408	22529481	BOBBIN THREAD GUIDE		A	LZ2290A, AC172N, LBH1790A	*		1	1.00
6	R	22529408	40052366	BOBBIN THREAD GUIDE		B	LH3528S/3- 528A/3568S/3578S	*		1	1.00
6	R	22529408	40022427	BOBBIN THREAD GUIDE		C	LH-4128	*		1	1.00
6	R	22529408	40176348	BOBBIN THREAD GUIDE				*		1	1.00
6	R	22529408	40176347	BOBBIN THREAD GUIDE				*		1	1.00
6	R	22529408	40177393	BOBBIN THREAD GUIDE				*		1	1.00
7	R	B3214047000	22945802	BOBBIN WINDER TENSION DISC				*		2	1.00
8		11093606		THREAD TENSION SPRING				*		1	
9		11072402		THREAD TENSION NUT				*		1	
10		NS6110310SP		NUT 11/64-40				*		1	
11	R	11073756	40011503	THREAD TENSION ASM.				*		2	1.00
12		11072204		TENSION NUT				*		1	
13		B3132552000		THREAD TENSION DISK PRESSER				*		1	
14	R	B3126012000	22921506	THREAD TENSION DISK				*		2	1.00
15	R	B3111126000	22945307	TENSION POST SOCKET				*		1	1.00
16		B3115552000		TENSION POST				*		1	
17		B3120125000		ROTATING STOPPER				*		1	
18		D3129555D00		THREAD TENSION SPRING				*		1	
19		D3128555D00		TAKE-UP SPRING				*		1	
20		SS8090670SP		SCREW 9/64-40 L=5.5				*		1	
21		B1118512000A		THREAD GUIDE A				*		2	
22		B1121512000		FRAME THREAD GUIDE				*		2	
23		23203201		TAKE-UP THREAD GUIDE				*		2	
24	D	23203409		DISH TENSION RELEASE PLATE				*		1	
25		23203300		THREAD GUIDE COLLAR				*		2	
26		B3118552H00		THREAD RELEASE PIN				*		1	
27	R	B3118552E00	22920904	TENSION RELEASING				*		1	1.00
28		SD0470281SP		HINGE SCREW D=4.7 H=2.8				*		2	
29		SS8110750SP		SCREW 11/64-40 L= 6.5				*		2	
30		SS5091020SP		SCREW 9/64-40 L=9.5				*		2	
31		NS6080210SP		NUT 1/8-44				*		2	
32		NS6060220SH		NUT 3/32-56				*		2	
33		WZ0541510KP		WAVED WASHER 5.4X9.0X0.3				*		2	
34		SS6120620TP		SCREW				*		2	

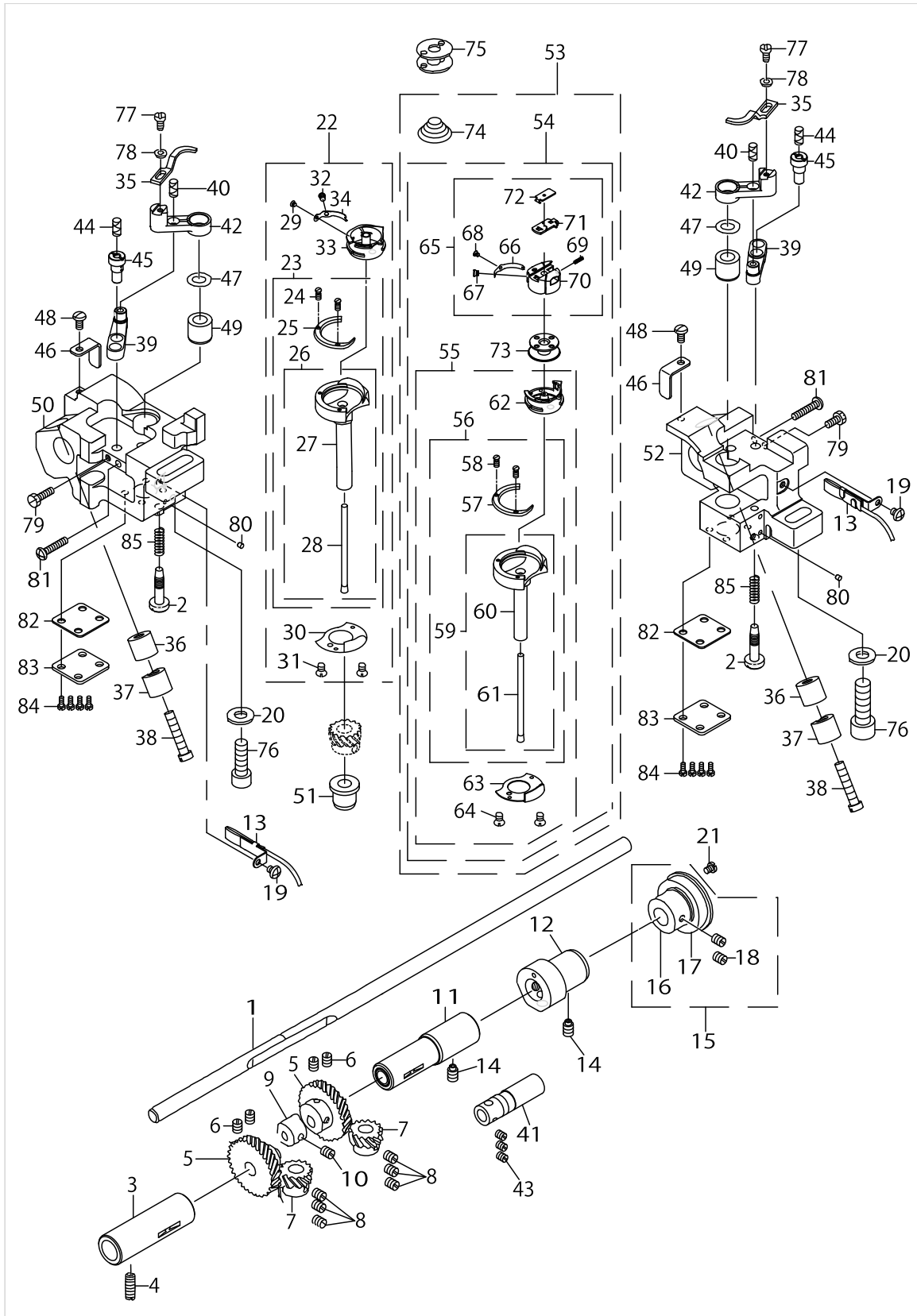
# HOOK & HOOK DRIVING SHAFT COMPONENTS



## HOOK & HOOK DRIVING SHAFT COMPONENTS

No.	Supply Code	Parts No.	Replacement	Parts name	Remarks	Choice	Step	Level	Cons	Qty	Rep. QTY
1		22623102		LOWER SHAFT B						1	
2	R	B3514412000	22925002	OIL ADJUSTING SCREW						2	1.00
3		B18025120AB		BUSHING ASM., FRONT						1	
4	R	SS8151150SP	SS8151150TP	SCREW 15/64-28 L=10.5						1	1.00
5		B1816512000		HOOK DRIVING SHAFT, LARGE						2	
6		SS8660810TP		SCREW 1/4-40 L=8						4	
7		10112001		HOOK SHAFT GEAR, A	SELECTIVE PARTS					2	
8		SS8660530TP		SCREW 1/4-40 L= 4.5						6	
9		22609804		FEED DRIVING CAM						1	
10		SS8660530TP		SCREW 1/4-40 L= 4.5						1	
11		10112357		BUSHING ASM. INTERMEDIATE						1	
12		22611701		PLUNGERBUSHING, B						1	
13	D	23202658		GEAR OIL WICK SUPPORT ASM.						2	
14	R	SS8151150SP	SS8151150TP	SCREW 15/64-28 L=10.5						2	1.00
15		22611651		THRUST COLLAR ASM., B						1	
16		22611602		THRUST COLLAR, B				*		1	
17		SB120000200		BEARING 20X42				*		1	
18		SS8661030SP		SCREW 1/4-40 L=10				*		2	
19		SS4110515SP		SCREW 11/64-40 L=5						2	
20		WP0850002SP		WASHER 8.5X18X1.6						2	
21		SS7120760SP		SCREW 3/16-28 L=7.0						2	
22		23209455		LATCH HOOK ASM.	SELECTIVE PARTS					2	
23	D	23201353		OUTER HOOK ASM.				*		1	
24		10112803		SCREW				*		2	
25		23209307		INNER HOOK PRESSER				*		1	
26		23208952		OUTER HOOK ASM.				*		1	
27		23201304		OUTER HOOK				*		1	
28		23201700		HOOK SHAFT OIL WICK				*		1	
29		10110500		TENSION SPRING I- NSTALLING SCRE				*		1	
30		22612303		NEEDLE POSITIONER				*		1	
31		10112902		SCREW				*		2	
32		10110609		TENSION ADJUSTING SCREW				*		2	
33		23209505		LATCH INNER HOOK				*		1	
34		23209604		LOWER THREAD TENSION SPRING				*		1	
35		23202203		INNER HOOK GUIDE						2	
36		10109908		SADDLE INSTALLIN- G BLOCK, UPPER						2	
37		10112407		SADDLE INSTALLIN- G BLOCK, LOWER						2	
38		SS6153040SP		SCREW 15/64-28 L=30						2	
39		23202104		INNER HOOK GUIDE LINK						2	
40		CQ303000000		OIL WICK						.02	
41		22611909		OIL PUMP SHAFT						1	
42		23202005		INNER HOOK GUIDE ARM						2	
43		SS8660530TP		SCREW 1/4-40 L= 4.5						3	
44		CQ303000000		OIL WICK						.03	
45		23202302		INNER HOOK GUIDE ARM SHAFT						2	

# HOOK & HOOK DRIVING SHAFT COMPONENTS

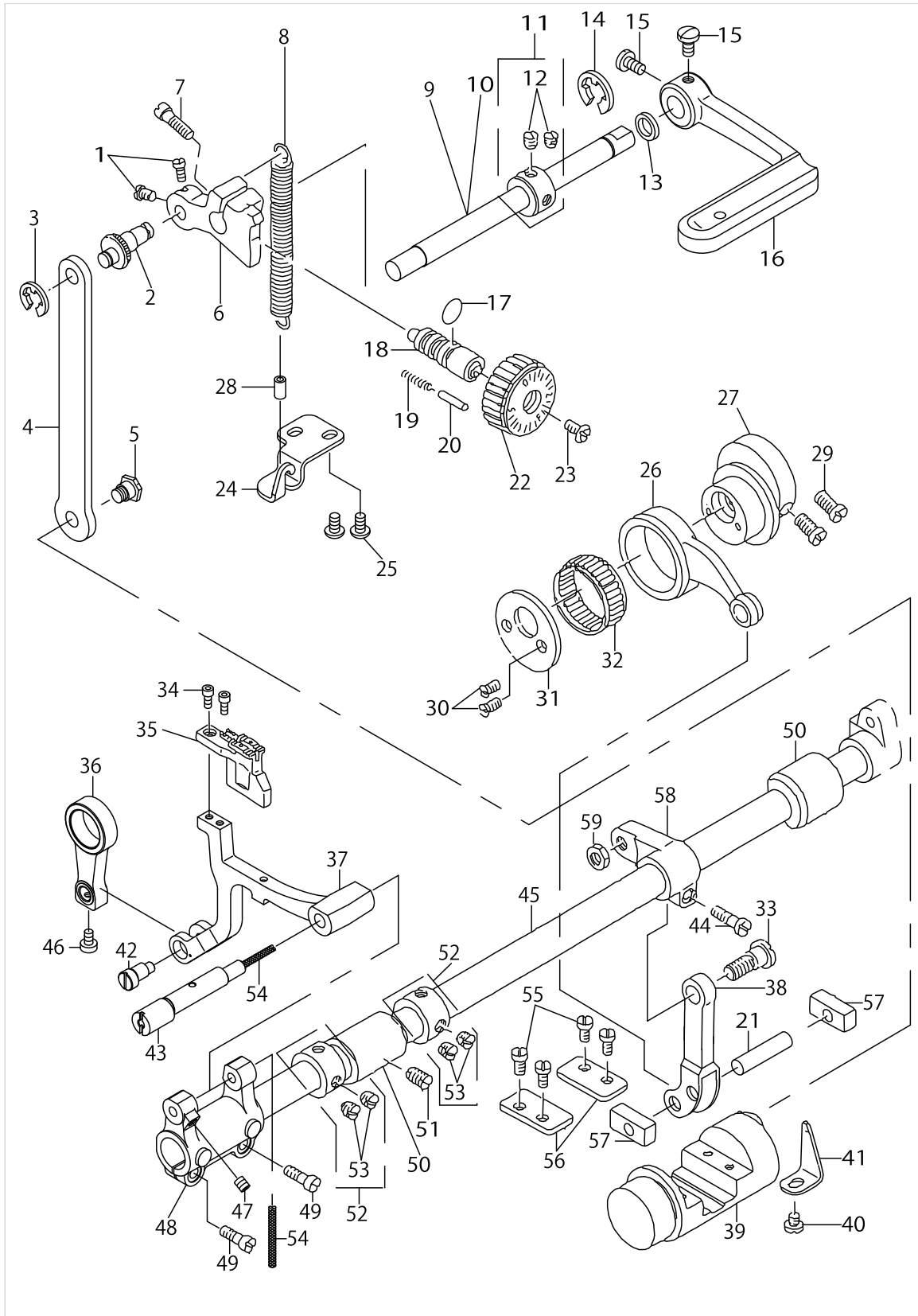


HOOK & HOOK DRIVING SHAFT COMPONENTS

No.	Supply Code	Parts No.	Replacement	Parts name	Remarks	Choice	Step	Level	Cons	Qty	Rep. QTY
46	D	23202807		LOWER SHAFT SCREW GEAR GUIDE						2	
47		10110906		BUSHING THRUST 1.1	SELECTIVE PARTS					2	
48		SS4110815SP		SCREW 11/64-40 L=8						2	
49		22613905		HOOK SHAFT UPPER METAL						2	
50	D	23201908		HOOK SHAFT BASE, LEFT						1	
51	R	22613400	40017056	HOOK DRIVING SHAFT BUSHING						2	1.00
52		23201817		HOOK DRIVING SHAFT BASE RIGHT						1	
53		23201163		NOT ROTATION BOBBIN HOOK ASM.	SELECTIVE PARTS					2	
54		23201155		NOT ROTATION BOBBIN HOOK ASM.				*		1	
55		23201254		NOT ROTATION BOBBIN HOOK				*		1	
56	D	23201353		OUTER HOOK ASM.				*		1	
57		23209307		INNER HOOK PRESSER				*		1	
58		10112803		SCREW				*		2	
59		23208952		OUTER HOOK ASM.				*		1	
60		23201304		OUTER HOOK				*		1	
61		23201700		HOOK SHAFT OIL WICK				*		1	
62		23201403		INNER HOOK				*		1	
63		22612303		NEEDLE POSITIONER				*		1	
64		10112902		SCREW				*		2	
65		23201551		BOBBIN CASE ASM.				*		1	
66		23209703		LOWER THREAD TENSION SPRING				*		1	
67		10110500		TENSION SPRING INSTALLING SCREW				*		1	
68		22612907		TENSION ADJUSTING SCREW				*		1	
69	D	23209802		LATCH SPRING				*		1	
70	D	23201502		BOBBIN CASE				*		1	
71		23203508		LATCH PLATE				*		1	
72		23203607		LATCH LEVER				*		1	
73		23201601		BOBBIN				*		1	
74		10111508		SPRING				*		1	
75		10210805		HARD ALUMITE BOBBIN	FOR NO.22-232-09455 (LATCH HOOK ASM.)					2	
76		SM6082502TP		SCREW M8 L=25						2	
77		SS6090810SP		SCREW 9/64-40 L=7.5						2	
78		WP0371016SD		WASHER 3.7X8X1						2	
79		SS9111510SP		SCREW 11/64-40 L=15						2	
80		TA0290301M0		RUBBER PLUG						2	
81		SS4112215SP		SCREW 11/64-40 L=22						2	
82	D	23202500		HOOK SHAFT BASE COVER PACKING						2	
83	D	23202401		HOOK SHAFT BASE COVER						2	
84		SS4110815SP		SCREW 11/64-40 L=8						8	
85		D3171415B0H		PRESSER SPRING						2	



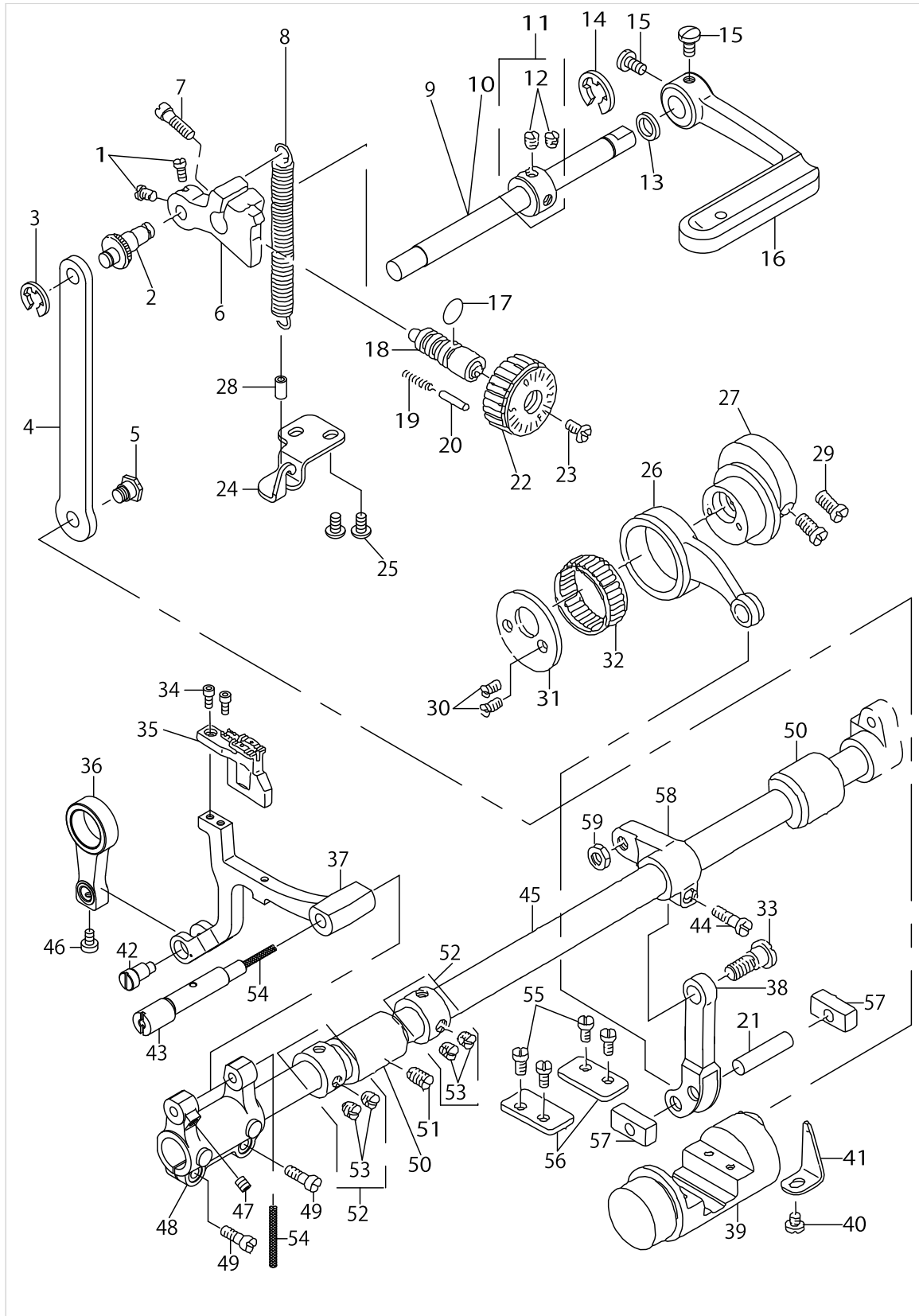
# FEED MECHANISM COMPONENTS



FEED MECHANISM COMPONENTS

No.	Supply Code	Parts No.	Replacement	Parts name	Remarks	Choice	Step	Level	Cons	Qty	Rep. QTY
1		SS6090670TP		SCREW 9/64-40 L=6						2	
2		22610109		ROD PIN						1	
3		RE0500000K0		E-RING						1	
4		22610208		FEED REGULATOR CONNECTING ROD						1	
5		SD0800422CP		HINGE SCREW D= 8 H= 4.2						1	
6		22610000		FEED REGULATOR						1	
7	R	SS7121410SP	SS7121410TP	SCREW 3/16-28 L=14						1	1.00
8		22610307		FEED REGULATOR SPRING						1	
9		22610604		REVERSE FEED SHAFT	FOR LH-3126F					1	
10		22652101		REVERSE FEED SHAFT	FOR LH-3126F-0B					1	
11		CS102121ASH		THRUST COLLAR A- SM. D=10.2 W=12						1	
12		SS8660610TP		SCREW 1/4-40 L=6				*		2	
13		10108009		OIL SEAL						1	
14		RE0900000K0		E-RING 9						1	
15	R	SS7120910SP	SS7120910TP	SCREW 3/16-28 L=9	FOR LH-3126F					2	1.00
16		22610901		REVERSE FEED CO- NTROL LEVER, F						1	
17		RO092270200		RUBBER RING						1	
18	R	11009909	22911804	FEED REGULATOR SCREW						1	1.00
19	R	B1148555000	22912109	SPRING						1	1.00
20	R	11052701	22912000	PIN						1	1.00
21	R	B1653470000	40032271	PIN						1	1.00
22	R	11072006	22940506	FEED DIAL						1	1.00
23		SS6121860SP		SCREW 3/16-28 L=18						1	
24		22610406		SPRING BRACKET						1	
25		SS4110815SP		SCREW 11/64-40 L=8						2	
26		22609200		FEED ROCK SHAFT CONNECTING ROD						1	
27	D	22609002		FEED DRIVE ECCENTRIC CAM, B						1	
28		BT0500300EA		OIL TUBE						.09	
29		SS6661110SP		SCREW 1/4-40 L=11						2	
30		SS7110710SP		SCREW 11/64-40 L=7						2	
31	D	22609101		CAM COVER						1	
32		B1636581B00		NEEDLE BEARING B						1	
33		SD0900701TP		HINGE SCREW D= 9 H= 7						1	
34		SS6580752TP		SCREW 1/8-40 L=7						2	
35		B1613512F0B		FEED DOG 1/4	EXCHANGI- NG GAUGE PARTS (S- EE P23, 24)					1	
36		23200801		VERTICAL FEED LINK						1	
37		23200504		FEED BASE						1	
38		10315208		FEED ROCK CONNECTING ROD						1	
39		10315455		FEED DRIVING ROCKER ASM.						1	
40		SS7110510SP		SCREW 11/64-40 L=5						1	
41		B1633470000		STOPPER PLATE						1	
42		23200900		VERTICAL FEED LINK SHAFT						1	
43		23200702		FEED BASE SHAFT						1	

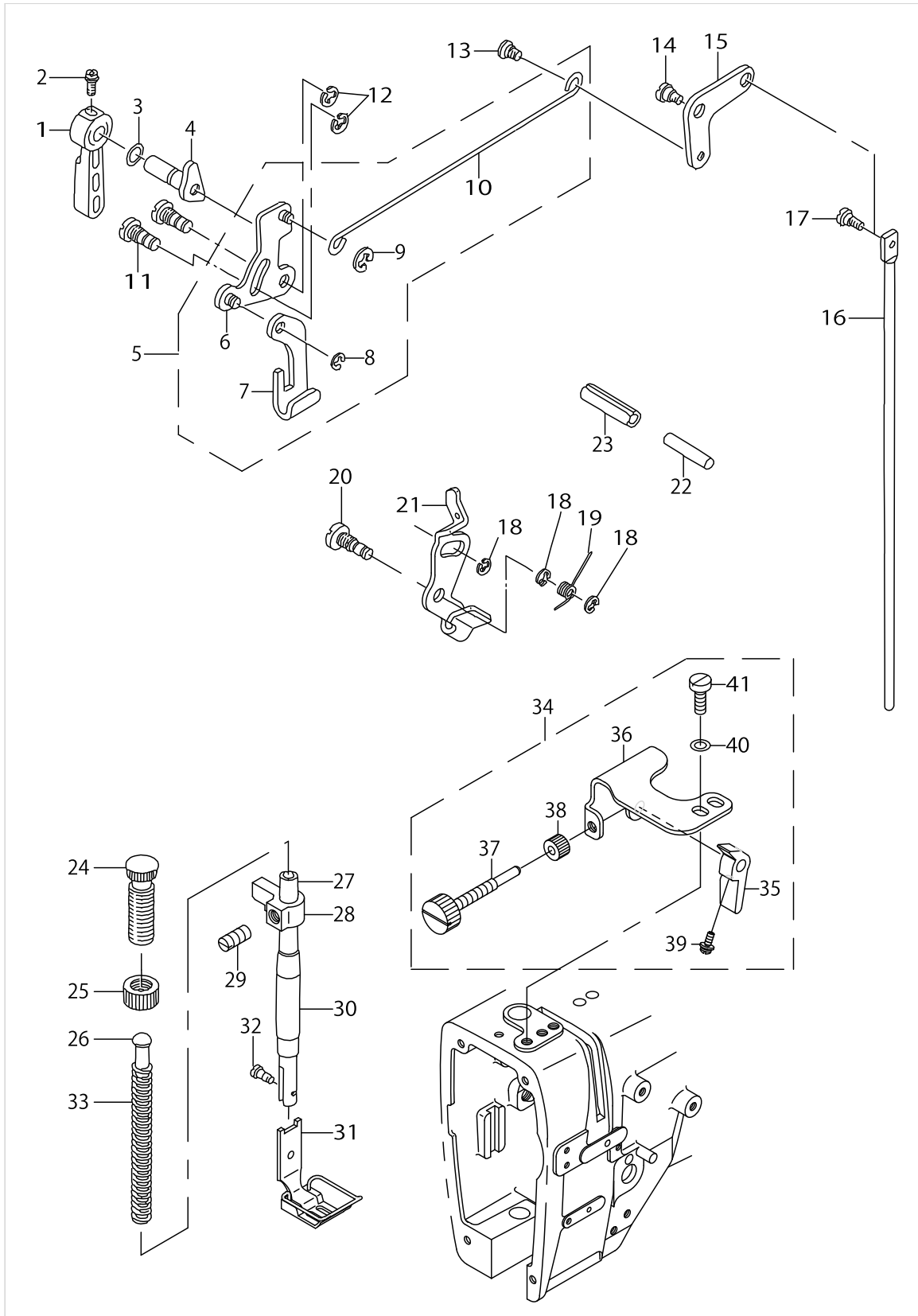
FEED MECHANISM COMPONENTS



FEED MECHANISM COMPONENTS

No.	Supply Code	Parts No.	Replacement	Parts name	Remarks	Choice	Step	Level	Cons	Qty	Rep. QTY
44		SS6121610TP		SCREW 3/16-28 L=15.5						1	
45		23201007		HORIZONTAL FEED SHAFT						1	
46		SS6090612TP		SCREW 9/64-40 L=6						1	
47	R	SS8110510SP	SS8110520TP	SCREW 11/64-40 L=5						1	1.00
48		23200603		FEED BASE ARM						1	
49		SS7111310TP		SCREW 11/64-40 L=12.8						2	
50		10106102		BUSHING						2	
51	R	SS8151150SP	SS8151150TP	SCREW 15/64-28 L=10.5						1	1.00
52		22904155		MAIN SHAFT THRU-ST COLLAR ASM.						2	
53		SS8660530TP		SCREW 1/4-40 L= 4.5				*		2	
54		CQ252000000		OIL WICK						.26	
55	R	SS7110910SP	SS7110910TP	SCREW 11/64-40 L=8.5						4	1.00
56		10315505		PLATE						2	
57		22609606		FEED DRIVING ROCKER BLOCK, S						2	
58		22609309		FEED ROCKER SHAFT CRANK						1	
59		NS6680320SP		NUT 9/32-28						1	

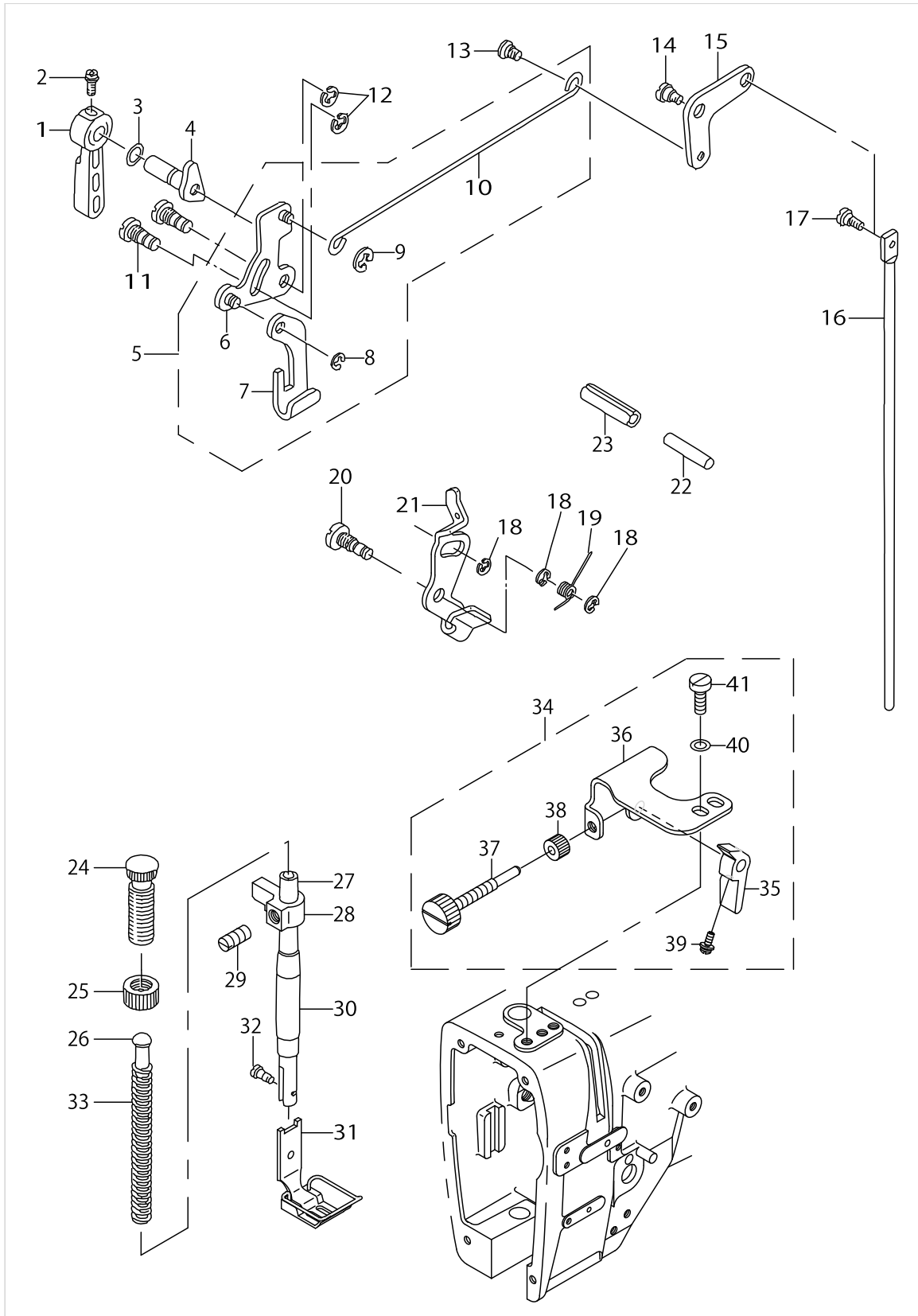
PRESSER BAR & TENSION RELEASE COMPONENTS



PRESSER BAR & TENSION RELEASE COMPONENTS

No.	Supply Code	Parts No.	Replacement	Parts name	Remarks	Choice	Step	Level	Cons	Qty	Rep. QTY
1	R	11071800	22907802	HAND LIFTER						1	1.00
2		B1521555000		SCREW						1	
3		RO037180100		RUBBER RING						1	
4	R	11006756	22908552	HAND LIFTER CAM ASM.						1	1.00
5		22608152		LIFTING LEVER ROD ASM.						1	
6	R	11006350	22908354	HAND LIFTER LINK				*		1	1.00
7	R	11006202	22908354	LIFTING LEVER		A	DDL-5550 5550N 555- ON-7 5556- N-7 5600NL-7	*		1	1.00
7	R	11006202	23609357	LIFTING LEVER		B	DDL-9000A 9000B	*		1	1.00
7	R	11006202	40057398	LIFTING LEVER		C	LH-3500	*		1	1.00
7	R	11006202	40174387	LIFTING LEVER		D	DDL-9000C	*		1	1.00
8		11007309		E-RING				*		1	
9		RE0500000K0		E-RING				*		1	
10		22608103		LIFTING LEVER CONNECTING ROD				*		1	
11	R	11006509	22908701	LINK SHAFT						2	1.00
12		RE0500000K0		E-RING						2	
13	R	11007101	22908909	HINGE SCREW						1	1.00
14		SD0720332SP		HINGE SCREW D= 7.24 H= 3.3						1	
15	R	11007002	22908800	LIFTING LEVER LINK						1	1.00
16		10125201		CONNECTING ROD, VERTICAL						1	
17		SD0600322SD		HINGE SCREW D=6 H=3.2						1	
18		RE0500000K0		E-RING						3	
19	R	11018207	22920201	TENSION RELEASE RETURN SPRING						1	1.00
20	R	11018108	22920102	TENSION RELEASE SHAFT						1	1.00
21		22617104		TENSION RELEASE PLATE						1	
22		22617005		PUSH BAR						1	
23		PS0600502KP		SPRING PIN						1	
24	R	11071602	22907554	PRESSER SPRING REGULATOR						1	1.00
25	R	11071701	22907554	NUT						1	1.00
26	R	B1510227000	22907703	PRESSER GUIDE BAR						1	1.00
27		B1501581000		PRESSER BAR						1	
28	R	22608004	40017058	NEEDLE BAR GUIDE BRACKET						1	1.00
29		SS8660810TP		SCREW 1/4-40 L=8						1	
30		22907109		PRESSER BAR BUSHING, LOWER						1	
31		22627558		PRESSER FOOT F ASM. 1/4	EXCHANGI- NG GAUGE PARTS (S- EE P.23, 24)					1	
32		SS7090910TP		SCREW 9/64-40 L=8.5						1	
33		22608400		SPRING, F						1	
34		23209059		PRESSER LIFTER ASM.	OPTIONAL PARTS					1	
35		11243714		PRESSER LIFTER LEVER				*		1	
36	D	23209109		STOPPER BASE				*		1	
37	R	11243904	23610652	STOPPER SCREW				*		1	1.00
38		11244100		STOPPER SCREW NUT				*		1	
39		B1521555000		SCREW				*		1	
40		WP0651056SD		WASHER 6.5X11X1				*		2	

PRESSER BAR & TENSION RELEASE COMPONENTS

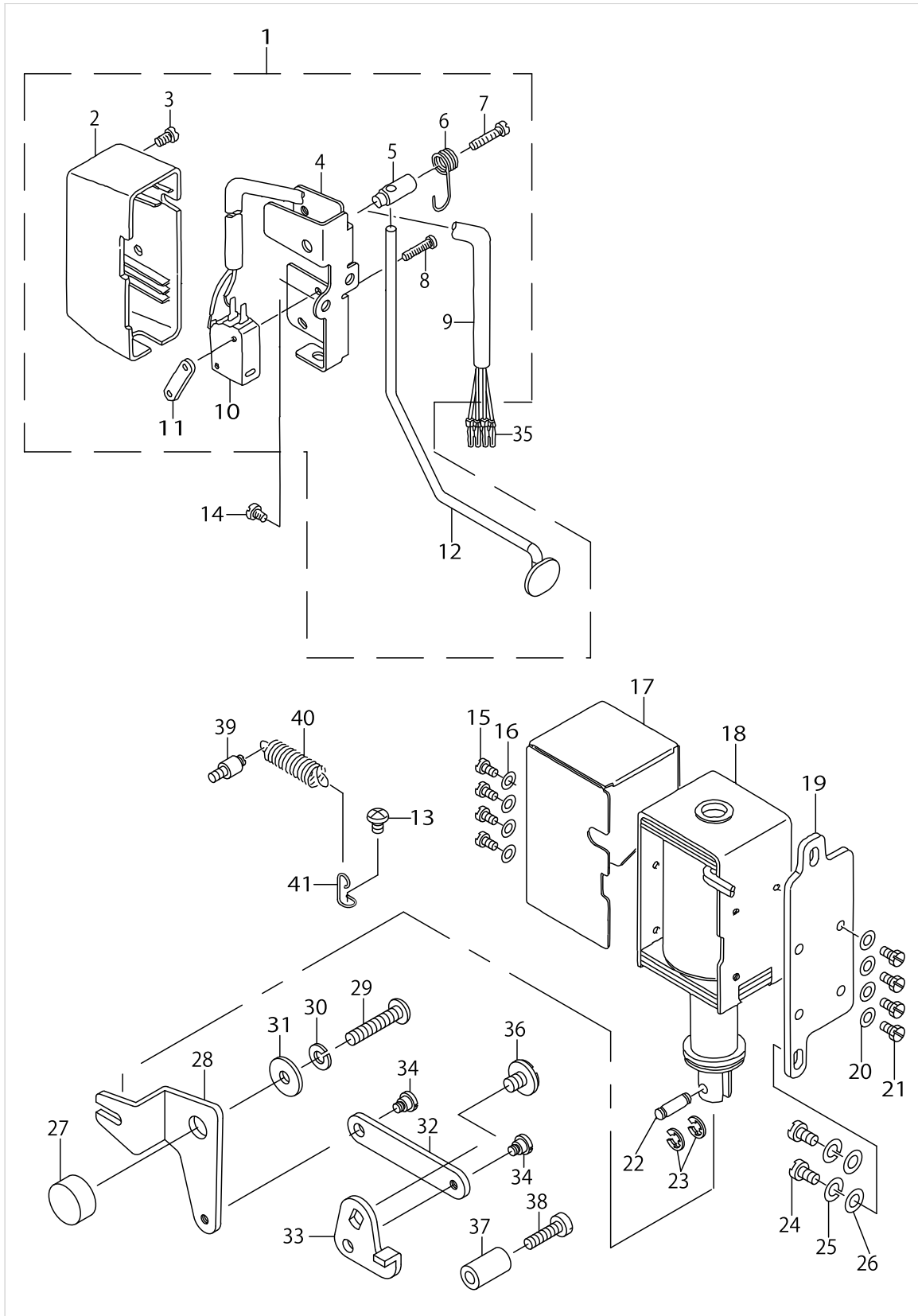


PRESSER BAR & TENSION RELEASE COMPONENTS

No.	Supply Code	Parts No.	Replacement	Parts name	Remarks	Choice	Step	Level	Cons	Qty	Rep. QTY
41		SS6151780SP		SCREW 15/64-28 L=17.0				*		2	



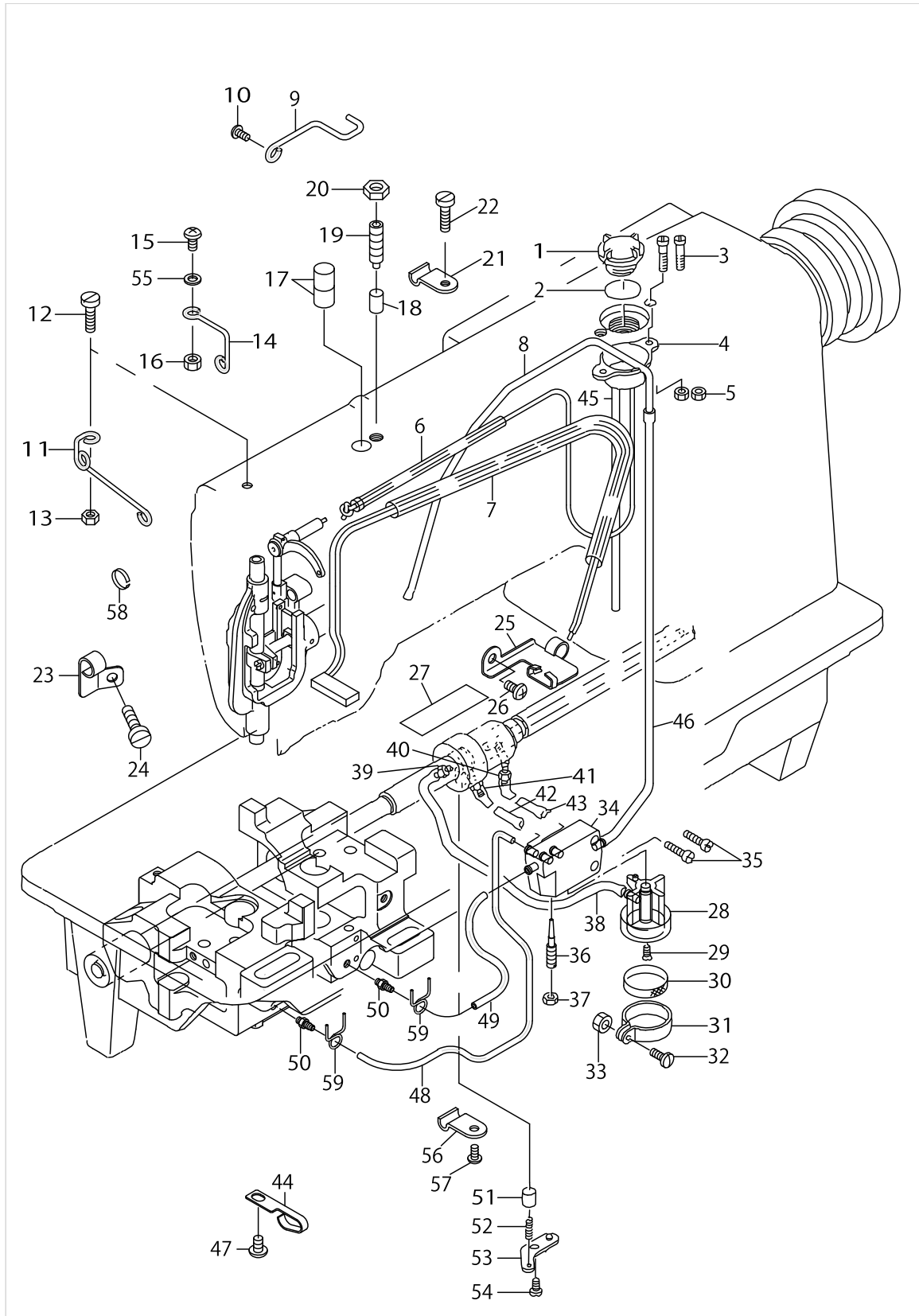
AUTOMATIC REVERSE FEED MECHANISM COMPONENTS (FOR LH-3126F-OB)



AUTOMATIC REVERSE FEED MECHANISM COMPONENTS (FOR LH-3126F-OB)

No.	Supply Code	Parts No.	Replacement	Parts name	Remarks	Choice	Step	Level	Cons	Qty	Rep. QTY
1		22656953		BACKWARD FEED SWITCH ASM., F						1	
2	R	11072501	22954606	REVERSE FEED SWITCH COVER				*		1	1.00
3		SM4040655SP		SCREW M4 L=6				*		1	
4		22656508		REVERSE FEED SWITCH BASE				*		1	
5	R	11102100	22954200	REVERSE FEED SWITCH SHAFT				*		1	1.00
6	R	11102209	22954309	REVERSE FEED SWITCH SPRING				*		1	1.00
7		SM4041655SP		SCREW M4 L=16				*		1	
8		SM4031501SC		SCREW M3 L=15				*		2	
9		HW500070000		2-CORE CABTYRE CORD				*		1.4	
10		HA001900000		MICROSWITCH				*		1	
11	R	11102308	22954408	MICRO SWITCH PLATE				*		1	1.00
12		22656904		SWITCH LEVER, F				*		1	
13		SS4120615SP		SCREW 3/16-28 L=6						1	
14		SS4120615SP		SCREW 3/16-28 L=6						2	
15		SS7110710SP		SCREW 11/64-40 L=7						4	
16		WP0501016SD		WASHER 5X10.5X1						4	
17		10161305		SOLENOID COVER						1	
18		10119105		REVERSE FEED SOLENOID, AC24V						1	
19		10119204		SOLENOID INSTALLING PLATE						1	
20		WP0501016SD		WASHER 5X10.5X1						4	
21		SS9111010SP		SCREW 11/64-40 L=9.5						4	
22		D2464555B00		LINK DRIVING MAGNET PIN						1	
23		RE0400000K0		E-RING 4						2	
24		SS7151210SP		SCREW 15/64-28 L=12						2	
25		WS0631510KP		SPRING WASHER						2	
26		WP0621016SD		WASHER 6.2X13X1						2	
27	D	22656409		LINK FULCULUM						1	
28		22656300		REVERSE FEED LINK, L						1	
29		SS4153015SP		PAN-SCREW 15/64-28 L=30						1	
30		WS0610002KP		SPRING WASHER						1	
31		WP0612056SD		WASHER 6.1X18.5X2						1	
32		22656201		REVERSE FEED LINK, (2)						1	
33		22656102		REVERSE FEED LINK, (1)						1	
34		SD0640321SP		HINGE SCREW D= 6.35 H= 3.2						2	
35		HK03464000B		PIN CONTACT						4	
36		SS7120760SP		SCREW 3/16-28 L=7.0						1	
37	R	11100500	22952501	REVERSE FEED LEVER STOPPER						1	1.00
38		SS6121840SP		SCREW 3/16-28 L=18						1	
39	R	B1506352000	26226407	TENSION SPRING RACK B						1	1.00
40	R	13515606	26226209	SPRING						1	1.00
41		22656003		SPRINGSUSPENSION						1	

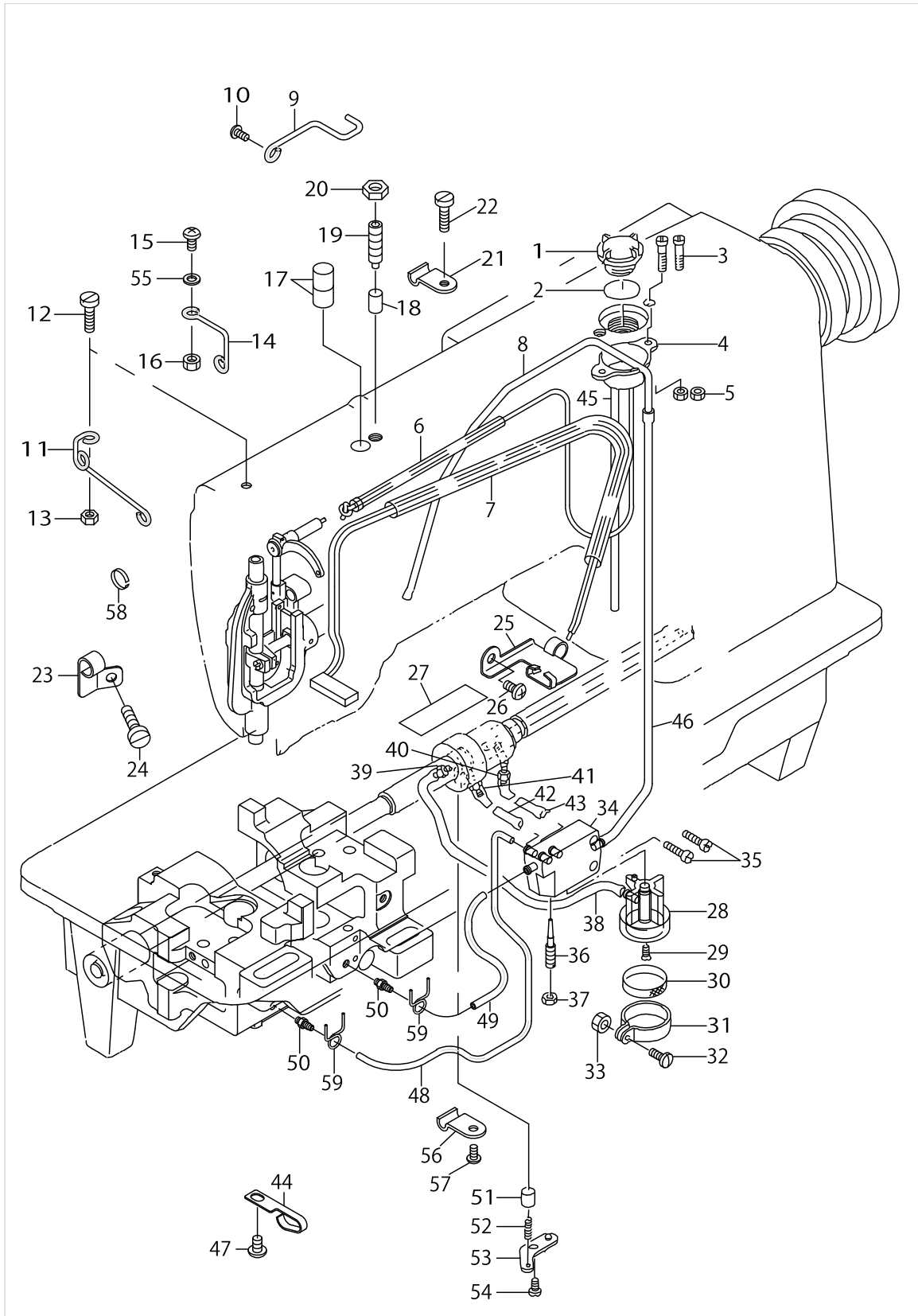
LUBRICATION COMPONENTS



LUBRICATION COMPONENTS

No.	Supply Code	Parts No.	Replacement	Parts name	Remarks	Choice	Step	Level	Cons	Qty	Rep. QTY
1	R	B3530555000	22924708	OIL SIGHT WINDOW						1	1.00
2		RO195240100		RUBBER RING						1	
3		SS4111815SP		SCREW 11/64 L=18						2	
4		10216703		OIL TANK						1	
5		NS6110310SN		NUT 11/64-40						2	
6		22620355		OIL PIPE ASM.						1	
7		22620454		FELT ASM.						1	
8		22620702		OIL TUBE						1	
9	D	22620108		PIPE HOLDER, B						1	
10		SS4110715SP		SCREW 11/64-40 L=7						1	
11	R	22619209	40017055	OIL WICK GUIDE						1	1.00
12		SS6121610SP		SCREW 3/16-28 L=15.5						1	
13		NS6120310SP		NUT 3/16-28						1	
14		22620504		OIL WICK HOLDER						1	
15		SS4111215SP		SCREW 11/64-40 L=12						1	
16		NS6110420SP		NUT 11/64-40						1	
17		B3517009000		OIL FELT REAR						2	
18	D	22619415		OIL ADJUSTING SHAFT						1	
19		SS8701782TP		SCREW 5/16-24 L=17.0						1	
20		NS6700420SP		NUT 5/16-24						1	
21		22620801		PIPE HOLDER						1	
22		SS6111610SP		SCREW 11/64-40 L=16						1	
23		22619902		PIPE HOLDER						1	
24		SS4110615SP		SCREW 11/64-40 L=6						1	
25	D	22619803		VILENE HOLDER						1	
26		SS4110715SP		SCREW 11/64-40 L=7						1	
27		22619605		VILENE						1	
28	D	22619001		SUCTION						1	
29		SS2110930SP		SCREW 11/64-40 L=8.7						1	
30		B1851512000		FILTER SCREEN						1	
31	R	B1850512000	40009379	BUSHING HOLDER						1	1.00
32	R	SS7090910SP	SS7090910TP	SCREW 9/64-40 L=8.5						1	1.00
33		NS6090310SP		NUT 9/64-40						1	
34		10623403		BASE						1	
35		SS6111610SP		SCREW 11/64-40 L=16						2	
36		B1834512000A		OIL ADJUSTING SCREW						1	
37		NS6110310SP		NUT 11/64-40						1	
38		BT0500300EA		OIL TUBE						.12	
39		SQ1150451MZ		CONNECTING SCREW						1	
40		SQ1110401MZ		CONNECTING SCREW						1	
41		SQ1110401MZ		CONNECTING SCREW						1	
42		BT0500300EA		OIL TUBE						.08	
43		BT0500300EA		OIL TUBE						.09	
44	R	13530209	26230409	LUBRICATING OIL WICK STOPPER						1	1.00
45		23630007		TUBE						.25	
46		BT0500300EA		OIL TUBE						.4	

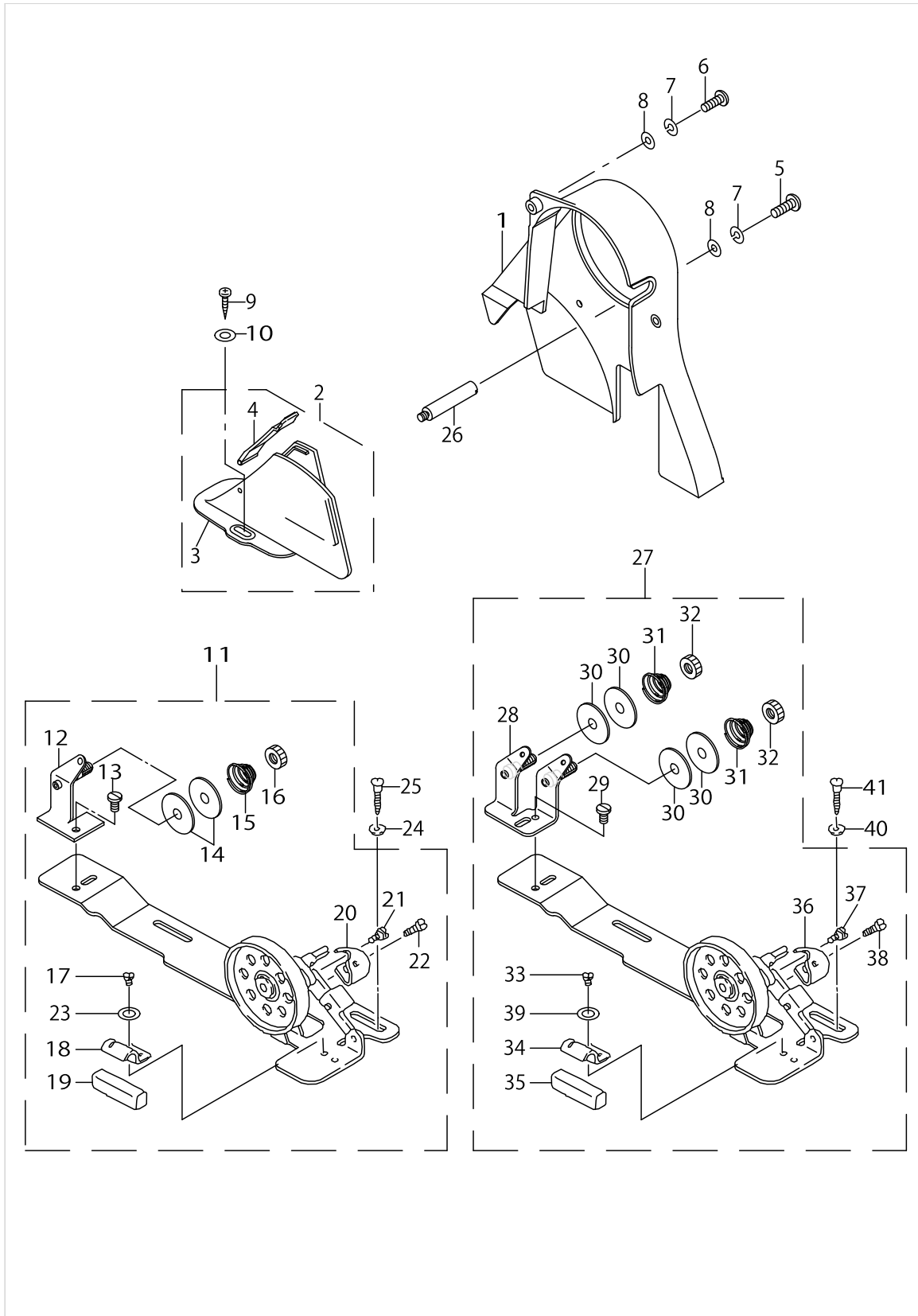
LUBRICATION COMPONENTS



LUBRICATION COMPONENTS

No.	Supply Code	Parts No.	Replacement	Parts name	Remarks	Choice	Step	Level	Cons	Qty	Rep. QTY
47		SS4110715SP		SCREW 11/64-40 L=7						1	
48		23630007		TUBE						.32	
49		23630007		TUBE						.28	
50		SQ1110401MZ		CONNECTING SCREW						2	
51		B3534155000		PLUNGER						1	
52		B1214038000		PLUNGER SPRING						1	
53		B3524552000		PLUNGER THRUST PLATE						1	
54		SS4110815SP		SCREW 11/64-40 L=8						1	
55		B3534012000		GASKET						1	
56		B3538112000		OIL RETURN TUBE HOLDER						1	
57		SS4110815SP		SCREW 11/64-40 L=8						1	
58		B1414512000		OIL WICK RETAINER						1	
59		10126803		OIL TUBE HOLDER						2	

BELT COVER & BOBBIN WINDER COMPONENTS

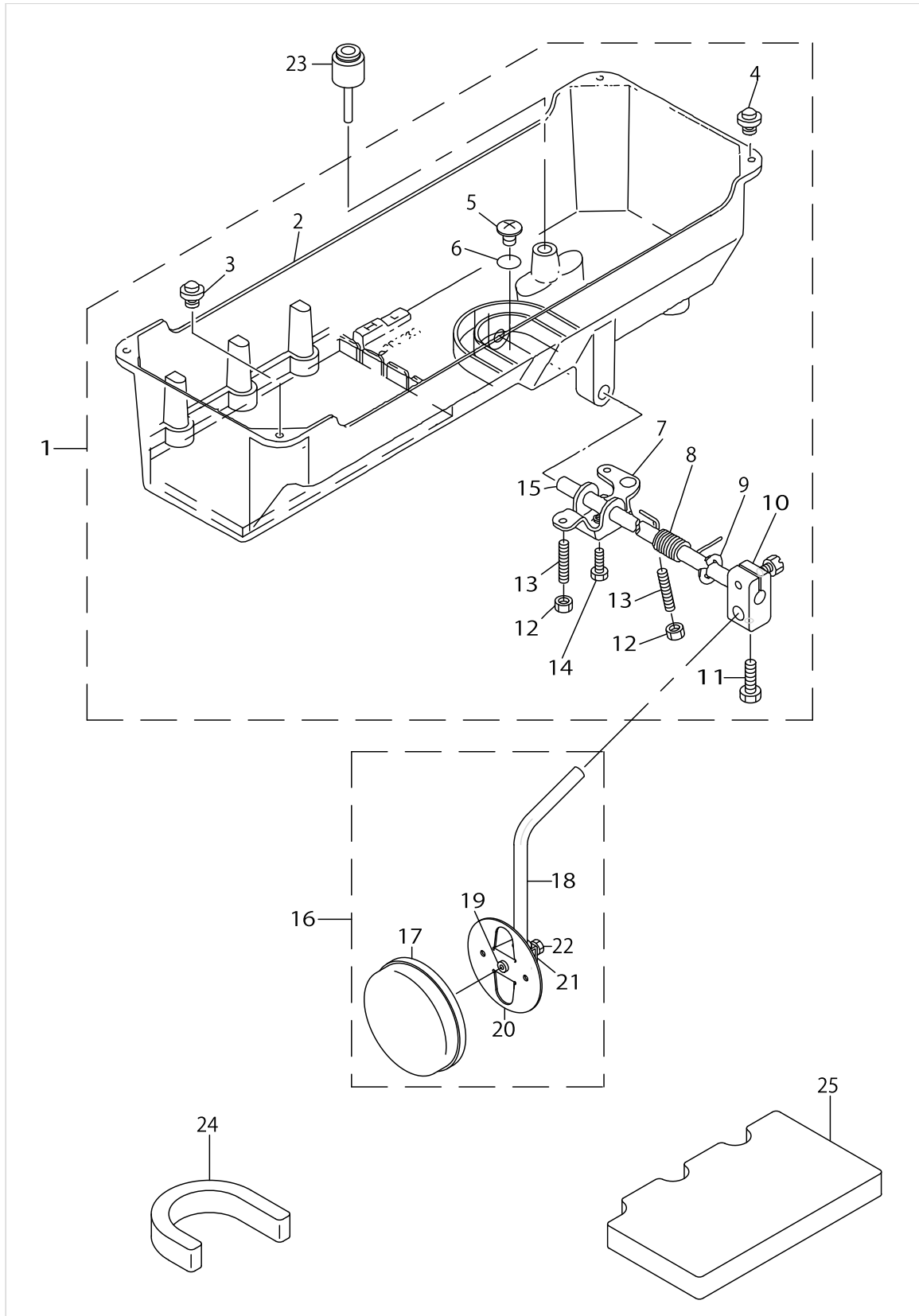


BELT COVER & BOBBIN WINDER COMPONENTS

No.	Supply Code	Parts No.	Replacement	Parts name	Remarks	Choice	Step	Level	Cons	Qty	Rep. QTY
1	D	22603401		BELT COVER A ASM.						1	
2	R	11076858	22933659	BELT COVER B ASM.						1	1.00
3	R	11076809	22933659	BELT COVER B				*		1	1.00
4	R	11076957	22933659	BELT COVER B CAP ASM.				*		1	1.00
5		SS4111215SP		SCREW 11/64-40L=12						2	
6		SS6121610SP		SCREW 3/16-28 L=15.5						1	
7		WS0451040KP		SPRING WASHER 4.5X8.5X1						3	
8		WP0501016SD		WASHER 5X10.5X1						3	
9	R	SK3412000SC	SK3412000SE	WOOD SCREW D=4.1 L=20						2	1.00
10		WP0501016SC		WASHER 5X10.5X1						2	
11	R	11077567	22927354	BOBBIN WINDER COMPL.						1	1.00
12		11078250		THREAD TENSION BRACKET ASM.				*		1	
13		SS7110840SP		SCREW 11/64-40 L=7.8				*		1	
14	R	B3126012000	22921506	THREAD TENSION DISK				*		2	1.00
15	R	B3129012B00	22929004	THREAD TENSION SPRING				*		1	1.00
16	R	B3125012000	22928808	THREAD TENSION NUT				*		1	1.00
17		SS4110515SP		SCREW 11/64-40 L=5				*		1	
18		11078102		PRESSER PLATE				*		1	
19		B3211555000		RUBBER BRAKE				*		1	
20		11078003		POSITIONING FINGER				*		1	
21		SD0490261SP		HINGE SCREW D=4.9 H=2.6				*		1	
22		SS7081310SP		SCREW 1/8-44 L=12.5				*		1	
23		WP0480856SP		WASHER 4.8X8.4X0.8				*		1	
24		WP0501016SC		WASHER 5X10.5X1						2	
25	R	SK3482500SC	SK3482501SE	WOOD SCREW D=4.8 L=25						2	1.00
26		B8233555000		BELT COVER SUPPORT STUD						2	
27		22621155		THREAD WINDER ASM.	FOR JE					1	
28		22621056		TENSION BAR BASE				*		1	
29		SS7110840SP		SCREW 11/64-40 L=7.8				*		1	
30	R	B3126012000	22921506	THREAD TENSION DISK				*		4	1.00
31	R	B3129012B00	22929004	THREAD TENSION SPRING				*		2	1.00
32	R	B3125012000	22928808	THREAD TENSION NUT				*		2	1.00
33		SS4110515SP		SCREW 11/64-40 L=5				*		1	
34		11078102		PRESSER PLATE				*		1	
35		B3211555000		RUBBER BRAKE				*		1	
36		22621106		BOBBIN PRESSER				*		1	
37		SD0490261SP		HINGE SCREW D=4.9 H=2.6				*		1	
38		SS7081310SP		SCREW 1/8-44 L=12.5				*		1	
39		WP0480856SP		WASHER 4.8X8.4X0.8				*		1	
40		WP0501016SC		WASHER 5X10.5X1						2	
41	R	SK3482500SC	SK3482501SE	WOOD SCREW D=4.8 L=25						2	1.00



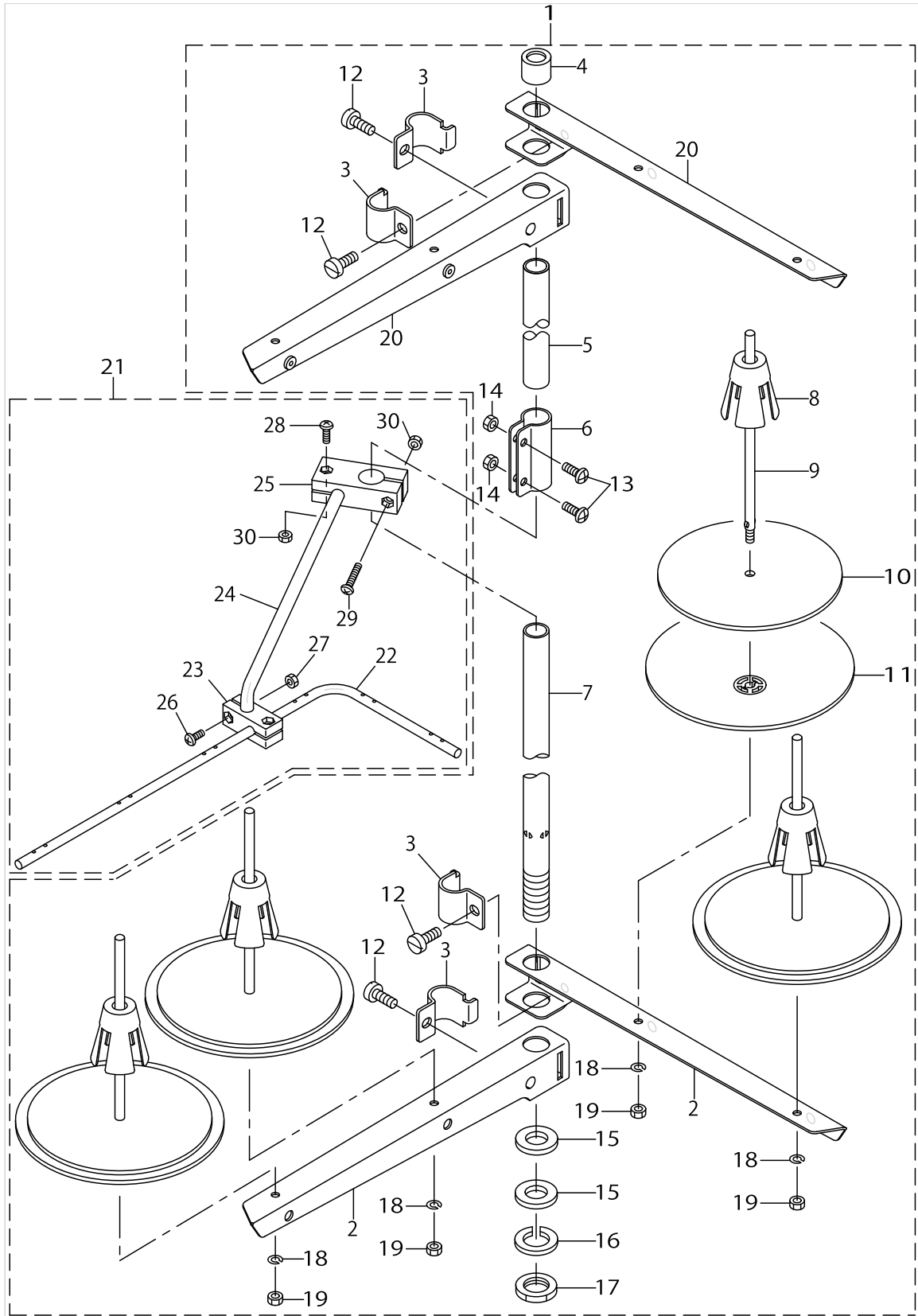
OIL RESERVOIR & KNEE LIFTER COMPONENTS



OIL RESERVOIR & KNEE LIFTER COMPONENTS

No.	Supply Code	Parts No.	Replacement	Parts name	Remarks	Choice	Step	Level	Cons	Qty	Rep. QTY
1		10162253		OIL RESERVOIR ASM.						1	
2	R	10162204	10162253	OIL RESERVOIR				*		1	1.00
3		10162600		RUBBER CUSHION				*		2	
4		11047107		RUBBER CUSHION				*		2	
5		SM0081001SD		SCREW				*		1	
6		RO098240100		RUBBER RING				*		1	
7	R	11024015	22932156	CONNECTING ROT, VERTICAL				*		1	1.00
8	R	11024106	22932206	SPRING				*		1	1.00
9		RE1000000K0		E-RING 10				*		1	
10	R	11024510	22932453	BRACKET				*		1	1.00
11	R	SM9062053SR	22934707	SCREW M6 L=20				*		2	1.00
12		NM6060001SE		NUT M6				*		2	
13		SM8063012TR		SCREW M6 L=30				*		2	
14		SM9061853SR		SCREW M6 L=17.5				*		1	
15	R	11024205	22932305	KNEE PRESS ROD				*		1	1.00
16		22934251		KNEE PAD PLATE ASM.						1	
17		22934509		KNEE PAD PLATE COVER				*		1	
18		22934608		KNEE PAD UPRIGHT SHAFT				*		1	
19		22934400		KNEE PAD PLATE RUBBER				*		1	
20		22934202		KNEE PAD PLATE				*		1	
21		22934301		KNEE PAD PLATE SUPPORT				*		1	
22		SM9061203SE		SCREW M6 L=12				*		1	
23	R	11024304	22931703	KNEE PRESS LIFTER ROD						1	1.00
24		22622005		OIL RESERVOIR SPACER, A						1	
25		22622104		OIL RESERVOIR SPACER, B						1	

THREAD STAND COMPONENTS

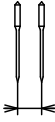
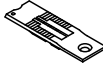
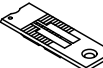



THREAD STAND COMPONENTS

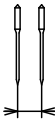
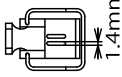
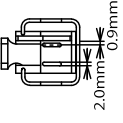
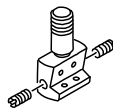
No.	Supply Code	Parts No.	Replacement	Parts name	Remarks	Choice	Step	Level	Cons	Qty	Rep. QTY
1		26910158		THREAD STANDING DEVICE ASM.						1	
2	R	22930507	40096354	SPOOL REST ARM				*		2	1.00
3	R	22930705	40096354	THREAD GUIDE ARM JOINT				*		4	1.00
4		22931406		SPOOL REST ROD RUBBER CAP				*		1	
5	R	22930408	40096354	SPOOL REST ROD, UPPER				*		1	1.00
6	R	22931307	40096354	SPOOL REST ROD JOINT				*		1	1.00
7	R	22930309	40096354	SPOOL REST ROD, LOWER				*		1	1.00
8	R	22931109	40085791	SPOOL RETAINER				*		4	1.00
9	R	22931000	40085790	SPOOL PIN				*		4	1.00
10		22930903		SPOOL REST CUSHION				*		4	
11		22930804		SPOOL REST				*		4	
12		SM6061610SC		SCREW M6 L=16				*		4	
13		SM4051405SE		SCREW M5 L=14				*		2	
14		NM6050001SE		NUT M5				*		2	
15		WP1612616SE		WASHER 16X30X2.6				*		2	
16	R	WS1643202KR	WP1612616SE	SPRING WASHER		A		*		1	2.00
16	R	WS1643202KR	40085796	SPRING WASHER		A		*		1	2.00
17		NM6160511SE		NUT M16X1.5				*		1	
18		NM6050001SE		NUT M5				*		4	
19		WS0510002KN		SPRING WASHER				*		4	
20	R	22930556	40096354	THREAD STANDING ARM ASM.				*		2	1.00
21		26910059		THREAD GUIDE ARM ASM.	FOR TYPE, DESTINATION					1	
22	R	13167903	26910059	THREAD STANDING THREAD GUIDE				*		1	1.00
23	D R	13168000	26910059	THREAD GUIDE BASE, LOWER				*		1	1.00
24	R	13168109	26910059	THREAD GUIDE ARM BASE				*		1	1.00
25	R	13168208	26910059	THREAD GUIDE ARM BASE				*		1	1.00
26		SM4041001SC		SCREW M4X0.7 L=10				*		2	
27		NM6040002SE		NUT M4X0.7				*		2	
28		SM4041201SC		SCREW M4 L=12				*		1	
29		SM4042001SC		SCREW M4 X 20				*		1	
30		NM6040002SE		NUT M4X0.7				*		2	

TABLE OF EXCHANGING GAUGE PARTS

針送り用 (For throat feed)

Needle gauge size 針 幅			Throat plate for Taping テープ付用針板	Throat plate 針 板	Feed Dog 送 り 歯
Code コード <sup>※</sup>					
	inch	mm	Ref.no	Ref.no	Ref.no
B	1/8	3.2	1	6	11
D	3/16	4.8	2	7	12
F	1/4	6.4	3	8	13
G	9/32	7.1	4	9	14
H	5/16	7.9	5	10	15

針送り用 (For throat feed)

Needle gauge size 針 幅			Presser Foot asm. 押 さ え(組)	Swivel guide Presser asm. スワイブルガイド押さえ(組)	Needle clamp asm. 針 留(組)
Code コード <sup>※</sup>					
	inch	mm	Ref.no	Ref.no	Ref.no
B	1/8	3.2	16	21	26
D	3/16	4.8	17	22	27
F	1/4	6.4	18	23	28
G	9/32	7.1	19	24	29
H	5/16	7.9	20	25	30

下送り用 (For lower feed)

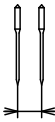
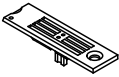
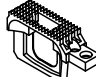

Needle gauge size 針 幅			Throat plate 針 板	Feed Dog 送 り 歯	Presser Foot 押 さ え
Code コード <sup>※</sup>					
	inch	mm	Ref.no	Ref.no	Ref.no
B	1/8	3.2	31	34	37
D	3/16	4.8	32	35	38
F	1/4	6.4	33	36	39

TABLE OF EXCHANGING GAUGE PARTS

No.	Supply Code	Parts No.	Replacement	Parts name	Remarks	Choice	Step	Level	Cons	Qty	Rep. QTY
1		23206808		THROAT PLATE 1/8						1	
2		B1109512D0B		THROAT PLATE 3/16						1	
3	D	B1109512F0B		THROAT PLATE						1	
4		B1109512G0B		THROAT PLATE 9/32						1	
5		B1109512H0B		THROAT PLATE 5/16						1	
6		22625107		THROAT PLATE 1/8" (3.2MM)						1	
7		22625305		THROAT PLATE 3/16" (4.8MM)						1	
8		22625503		THROAT PLATE 1/4						1	
9		22625602		THROAT PLATE 9/32" (7.1MM)						1	
10		22625701		THROAT PLATE 5/16" (7.9MM)						1	
11		B1613512B0B		FEED DOG 1/8						1	
12		B1613512D0B		FEED DOG 3/16						1	
13		B1613512F0B		FEED DOG 1/4						1	
14		B1613512G0B		FEED DOG 9/32						1	
15		B1613512H0B		FEED DOG 5/16						1	
16		22627152		PRESSER FOOT F ASM. 1/8						1	
17		22627350		F PRESSER FOOT ASM. 3/16						1	
18		22627558		PRESSER FOOT F ASM. 1/4						1	
19		22627657		PRESSER FOOT ASM., F 9/32						1	
20		22627756		PRESSER FOOT ASM., F 5/16						1	
21		22647051		SWIVEL GUIDE PRESSER 1/8" ASM.						1	
22		22647150		GUIDE PRESSER ASM. 3/16						1	
23		22647358		GUIDE PRESSER ASM. 1/4						1	
24		22647457		GUIDE PRESSER ASM. 9/32						1	
25		22647556		SWIVEL GUIDE PRESSER 5/16" ASM						1	
26		10147650		NEEDLE CLAMP ASM. 1/8						1	
27		10147858		NEEDLE CLAMP ASM. 3/16						1	
28		10148054		NEEDLE CLAMP ASM. 1/4						1	
29		10148153		NEEDLE CLAMP ASM. 9/32						1	
30		10148252		NEEDLE CLAMP ASM. 5/16						1	
31		22845200		THROAT PLATE, (1/8).						1	
32		22845408		THROATPLATE, 3/16.						1	
33		22845606		THROAT PLATE, (1/4).						1	
34		23205107		FEED DOG 1/8						1	
35		23205305		FEED DOG 3/16						1	
36		23205503		FEED DOG 1/4						1	
37		10391852		PRESSER FOOT ASM. 1/8						1	
38		10392058		PRESSER FOOT ASM. 3/16						1	
39		10392256		PRESSER FOOT ASM. 1/4						1	

LIST FOR INFORMATION CHANGE

As to the place changed, refer to the corresponding Rev.No.  
 When previous parts(Obsoleted part)and new parts(Added parts)are not interchangeable with each other:  
 In this case, even obsoleted parts(D.)can be ordered with the obsoleted part number, so select the parts with changed dates and place your orders.

変更箇所は、該当Rev.No.版をご参照ください。  
 部品の互換性がない変更の場合は、削除された品番でも、ご注文できます。

29327202  
 No.1261-04・・・Rev.No.

\*A:Added parts追加部品/D:Obsoleted parts削除部品/E:Erratum訂正

* Rev. No.	Page 頁	Ref. No.	Parts No. 品番	*	Rev. No.	Page 頁	Ref. No.	Parts No. 品番
D	03	4	48	232-04209				
D	03	4	49	226-06602				
D	03	4	50	PT-0502700-S0				

## HOW TO MAKE USE OF THIS PARTS LIST

### 1.Explanation of codes

1)"\*"mark.....means this part is changed from the previous parts book.

As to the details of the change, refer to the "List for information of change".

2)"#01".....refer to "Note" explanation at bottom of page.

### 2.Codes on the "Qty" column

- Each numeral indicates the number of parts required.
- "0.1" and "2.5" indicate the length (in meters) of the respective parts.

3.Parentheses mean that the corresponding part is a subpart that constructs an assembly part.

4.Dotted lines on the Figures indicate assembly parts.

### 1."注記"欄の記号説明

1) "\*"印.....前回のパーツブックに比較して今回変更された部品を意味します。

変更内容は、"変更情報リスト"を参照してください。

2) "#01".....ページ下の"注記"の説明を参照してください。

2.数量欄の数字は、個数を表し、0.1、2.5等の数値は、長さ（単位メートル）を表します。

3.数量欄の（ ）は、組部品を構成している子部品であることを意味します。

4.イラストページの-----枠は、組構成であることを意味します。



# NUMERICAL INDEX OF PARTS

PART NO	PAGE	REF NO.	PART NO	PAGE	REF NO.	PART NO	PAGE	REF NO.
10004109	2	34	11006509	20	11	22529408	10	6
10101004	2	3	11006756	20	4	22529473	10	4
10104859	8	48	11007002	20	15	22529481	10	3
10106102	18	50	11007101	20	13	22529515	10	5
10108009	16	13	11007309	20	8	22600555	2	42
10109908	12	36	11009909	16	18	22601058	2	38
10110500	12	67	11018108	20	20	22602007	2	17·41
10110500	14	67	11018207	20	19	22602254	2	20
10110609	12	32	11024015	32	7	22602304	2	32
10110906	14	47	11024106	32	8	22602601	4	46
10111508	14	74	11024205	32	15	22603112	2	27
10112001	12	7	11024304	32	23	22603203	2	29
10112357	12	11	11024510	32	10	22603401	30	1
10112407	12	37	11032562	6	28	22603906	6	30
10112803	12	58	11047107	32	4	22604003	6	41
10112803	14	58	11052701	16	20	22604300	6	43
10112902	12	64	11071602	20	24	22604409	6	37
10112902	14	64	11071701	20	25	22604508	6	17
10119105	24	18	11071800	20	1	22604607	6	33
10119204	24	19	11072006	16	22	22604656	6	32
10125201	20	16	11072204	10	12	22604904	6	42
10126803	28	59	11072402	10	9	22605307	6	2
10147650	36	26	11072501	24	2	22605356	6	1
10147858	36	27	11073756	10	11	22605406	6	7
10148054	8	66	11076809	30	3	22606800	6	6
10148054	36	28	11076858	30	2	22607006	8	54
10148153	36	29	11076957	30	4	22607105	8	58
10148252	36	30	11077567	30	11	22607204	8	59
10161305	24	17	11078003	30	20	22607303	8	52
10162204	32	2	11078102	30	34	22607402	8	53
10162253	32	1	11078250	30	12	22608004	20	28
10162600	32	3	11093606	10	8	22608103	20	10
10210805	14	75	11100500	24	37	22608152	20	5
10216703	26	4	11102100	24	5	22608400	20	33
10315208	16	38	11102209	24	6	22609002	16	27
10315455	16	39	11102308	24	11	22609101	16	31
10315505	18	56	11243714	20	35	22609200	16	26
10391852	36	37	11243904	20	37	22609309	18	58
10392058	36	38	11244100	20	38	22609606	18	57
10392256	36	39	13167903	34	22	22609804	12	9
10602902	2	2	13168000	34	23	22610000	16	6
10604809	6	15	13168109	34	24	22610109	16	2
10623403	26	34	13168208	34	25	22610208	16	4
11006202	20	7	13515606	24	40	22610307	16	8
11006350	20	6	13530209	26	44	22610406	16	24

NUMERICAL INDEX OF PARTS

PART NO	PAGE	REF NO.	PART NO	PAGE	REF NO.	PART NO	PAGE	REF NO.
22610604	16	9	22627657	36	19	22951552	2	8
22610901	16	16	22627756	36	20	23200306	8	61
22611602	12	16	22647051	36	21	23200504	16	37
22611651	12	15	22647150	36	22	23200603	18	48
22611701	12	12	22647358	36	23	23200702	16	43
22611909	12	41	22647457	36	24	23200801	16	36
22612303	12	63	22647556	36	25	23200900	16	42
22612303	14	63	22651509	6	21	23201007	18	45
22612907	14	68	22651558	6	20	23201155	14	54
22613400	14	51	22651566	6	19	23201163	14	53
22613905	14	49	22651905	8	65	23201254	14	55
22617005	20	22	22652101	16	10	23201304	12	60
22617104	20	21	22656003	24	41	23201304	14	60
22619001	26	28	22656102	24	33	23201353	12	56
22619100	2	11	22656201	24	32	23201353	14	56
22619209	26	11	22656300	24	28	23201403	14	62
22619415	26	18	22656409	24	27	23201502	14	70
22619605	26	27	22656508	24	4	23201551	14	65
22619803	26	25	22656904	24	12	23201601	14	73
22619902	26	23	22656953	24	1	23201700	12	61
22620108	26	9	22811400	2	25	23201700	14	61
22620355	26	6	22818009	2	17-41	23201817	14	52
22620454	26	7	22845200	36	31	23201908	14	50
22620504	26	14	22845408	36	32	23202005	12	42
22620702	26	8	22845606	36	33	23202104	12	39
22620801	26	21	22904155	18	52	23202203	12	35
22620900	2	14	22907109	20	30	23202302	12	45
22621056	30	28	22920706	2	23	23202401	14	83
22621106	30	36	22930309	34	7	23202500	14	82
22621155	30	27	22930408	34	5	23202658	12	13
22622005	32	24	22930507	34	2	23202807	14	46
22622104	32	25	22930556	34	20	23202955	10	1
22622351	6	31	22930705	34	3	23203052	10	2
22622401	6	29	22930804	34	11	23203201	10	23
22623102	12	1	22930903	34	10	23203300	10	25
22625107	36	6	22931000	34	9	23203409	10	24
22625305	36	7	22931109	34	8	23203508	14	71
22625503	2	40	22931307	34	6	23203607	14	72
22625503	36	8	22931406	34	4	23203904	6	5
22625602	36	9	22934202	32	20	23204258	8	47
22625701	36	10	22934251	32	16	23204308	6	10
22627152	36	16	22934301	32	21	23204506	8	50-64-69
22627350	36	17	22934400	32	19	23204605	8	50-64-69
22627558	20	31	22934509	32	17	23204704	8	50-64-69
22627558	36	18	22934608	32	18	23204803	2	18

NUMERICAL INDEX OF PARTS

PART NO	PAGE	REF NO.	PART NO	PAGE	REF NO.	PART NO	PAGE	REF NO.
23205107	36	34	B1633470000	16	41	HK03464000B	24	35
23205305	36	35	B1636581B00	16	32	HW500070000	24	9
23205503	36	36	B1653470000	16	21	M4002110000	6	22
23206709	2	35	B18025120AB	12	3	M40071100AA	6	23
23206808	36	1	B1816512000	12	5	M40071100AB	6	24
23208408	6	44	B1834512000A	26	36	M6046350AAA	4	49
23208952	12	59	B1850512000	26	31	MDP500B1000	8	68
23208952	14	59	B1851512000	26	30	NM6040002SE	34	30
23209059	20	34	B3111126000	10	15	NM6050001SE	34	18
23209109	20	36	B3115552000	10	16	NM6060001SE	32	12
23209307	12	57	B3118552E00	10	27	NM6160511SE	34	17
23209307	14	57	B3118552H00	10	26	NS6060220SH	10	32
23209455	12	22	B3120125000	10	17	NS6080210SP	10	31
23209505	12	33	B3125012000	30	32	NS6090310SP	26	33
23209604	12	34	B3126012000	10	14	NS6110310SN	26	5
23209703	14	66	B3126012000	30	30	NS6110310SP	10	10
23209802	14	69	B3129012B00	30	31	NS6110310SP	26	37
23630007	26	49	B3132552000	10	13	NS6110420SP	26	16
23630007	28	49	B3211555000	30	35	NS6120310SP	26	13
26910059	34	21	B3214047000	10	7	NS6150430SP	8	57
26910158	34	1	B3514412000	12	2	NS6680320SP	18	59
B1104051000	2	31	B3517009000	26	17	NS6700420SP	26	20
B1109512D0B	36	2	B3524552000	28	53	PS0600502KP	20	23
B1109512F0B	36	3	B3530555000	26	1	RE0400000K0	24	23
B1109512G0B	36	4	B3534012000	28	55	RE0500000K0	16	3
B1109512H0B	36	5	B3534155000	28	51	RE0500000K0	20	18
B11100510A0	4	44	B3538112000	28	56	RE0900000K0	16	14
B1118512000A	10	21	B8233555000	30	26	RE1000000K0	32	9
B1121512000	10	22	BT0500300EA	16	28	RO037180100	20	3
B1148555000	16	19	BT0500300EA	26	46	RO092270200	16	17
B1202512000	6	14	CM300200101	4	50·51	RO098240100	32	6
B12105260A0	6	11	CM3002001A1	4	50·51	RO195240100	26	2
B1214038000	28	52	CQ202000000	6	3	RO437200200	6	35
B1414512000	28	58	CQ252000000	6	8	SB120000100	6	34
B1438512B00	8	51	CQ252000000	18	54	SB120000200	12	17
B1501581000	20	27	CQ303000000	12	44	SD0470281SP	10	28
B1506352000	24	39	CQ505000000	6	12	SD0490261SP	30	37
B1510227000	20	26	CS102121ASH	16	11	SD0600322SD	20	17
B1521555000	20	39	D2112555B00	2	48	SD0640321SP	24	34
B1613512B0B	36	11	D2112555B00	4	48	SD0720332SP	20	14
B1613512D0B	36	12	D2464555B00	24	22	SD0800422CP	16	5
B1613512F0B	16	35	D3128555D00	10	19	SD0870601SP	8	56
B1613512F0B	36	13	D3129555D00	10	18	SD0870603TP	6	45
B1613512G0B	36	14	D3171415B0H	14	85	SD0900701TP	16	33
B1613512H0B	36	15	HA001900000	24	10	SK3412000SC	30	9

NUMERICAL INDEX OF PARTS

PART NO	PAGE	REF NO.	PART NO	PAGE	REF NO.	PART NO	PAGE	REF NO.
SK3482500SC	30	41	SS6090612TP	18	46	SS8151150TP	6	9
SM0081001SD	32	5	SS6090630SP	2	36	SS8151550SP	6	25
SM4031501SC	24	8	SS6090670TP	16	1	SS8660530TP	6	36
SM4040655SP	24	3	SS6090810SP	14	77	SS8660530TP	12	43
SM4041001SC	34	26	SS6111140SP	2	5	SS8660530TP	18	53
SM4041201SC	34	28	SS6111210SP	6	26	SS8660610TP	16	12
SM4041655SP	24	7	SS6111610SP	26	35	SS8660810TP	12	6
SM4042001SC	34	29	SS6120620TP	10	34	SS8660810TP	20	29
SM4051405SE	34	13	SS6121610SP	26	12	SS8661030SP	12	18
SM6061610SC	34	12	SS6121610SP	30	6	SS8680540SP	6	13
SM6082502TP	14	76	SS6121610TP	8	60	SS8680810TP	6	40
SM8063012TR	32	13	SS6121610TP	18	44	SS8681650TP	6	38
SM9061203SE	32	22	SS6121840SP	24	38	SS8701782TP	26	19
SM9061853SR	32	14	SS6121860SP	16	23	SS9110460CP	2	33
SM9062053SR	32	11	SS6151780SP	22	41	SS9111010SP	24	21
SQ1110401MZ	26	50	SS6152440SP	8	55	SS9111510SP	14	79
SQ1110401MZ	28	50	SS6153040SP	12	38	TA0290301M0	14	80
SQ1150451MZ	26	39	SS6580752TP	16	34	TA0490601R0	2	12
SS2090710SP	2	30	SS6661110SP	6	16	TA0750704R0	2	15
SS2090710TP	2	28	SS6661110SP	16	29	TA1250406R0	2	52
SS2110920TP	2	37	SS7081310SP	30	38	TA1250406R0	4	52
SS2110930SP	26	29	SS7090910SP	8	49	WP0371016SD	14	78
SS3090610SP	2	19	SS7090910SP	26	32	WP0450801SD	6	27
SS4110515SP	12	19	SS7090910TP	20	32	WP0480856SP	8	62
SS4110515SP	30	33	SS7110510SP	16	40	WP0480856SP	30	39
SS4110615SP	26	24	SS7110710SP	16	30	WP0501016SC	30	40
SS4110715SP	26	47	SS7110710SP	24	15	WP0501016SD	24	20
SS4110715SP	28	47	SS7110840SP	30	29	WP0501016SD	30	8
SS4110815SP	2	4	SS7110910SP	18	55	WP0612056SD	24	31
SS4110815SP	8	63	SS7111310TP	18	49	WP0621016SD	24	26
SS4110815SP	14	84	SS7120760SP	6	46	WP0651056SD	20	40
SS4110815SP	16	25	SS7120760SP	12	21	WP0850002SP	12	20
SS4110815SP	28	57	SS7120760SP	24	36	WP1612616SE	34	15
SS4111015SP	2	39	SS7120910SP	16	15	WS0451040KP	30	7
SS4111215SP	26	15	SS7121410SP	16	7	WS0510002KN	34	19
SS4111215SP	30	5	SS7151210SP	24	24	WS0610002KP	24	30
SS4111815SP	26	3	SS7681750TP	6	39	WS0631510KP	24	25
SS4112215SP	14	81	SS8080660TP	8	67	WS1643202KR	34	16
SS4120615SP	2	9	SS8090670SP	10	20	WT0530002KS	2	10
SS4120615SP	24	14	SS8110410TP	2	43	WZ0541510KP	10	33
SS4121015SP	2	21	SS8110510SP	18	47			
SS4150915SP	2	16	SS8110750SP	10	29			
SS4153015SP	24	29	SS8120740SP	2	24			
SS5090610SP	4	45	SS8151150SP	12	14			
SS5091020SP	10	30	SS8151150SP	18	51			