

MODEL : SC-900

List No : 1255-02

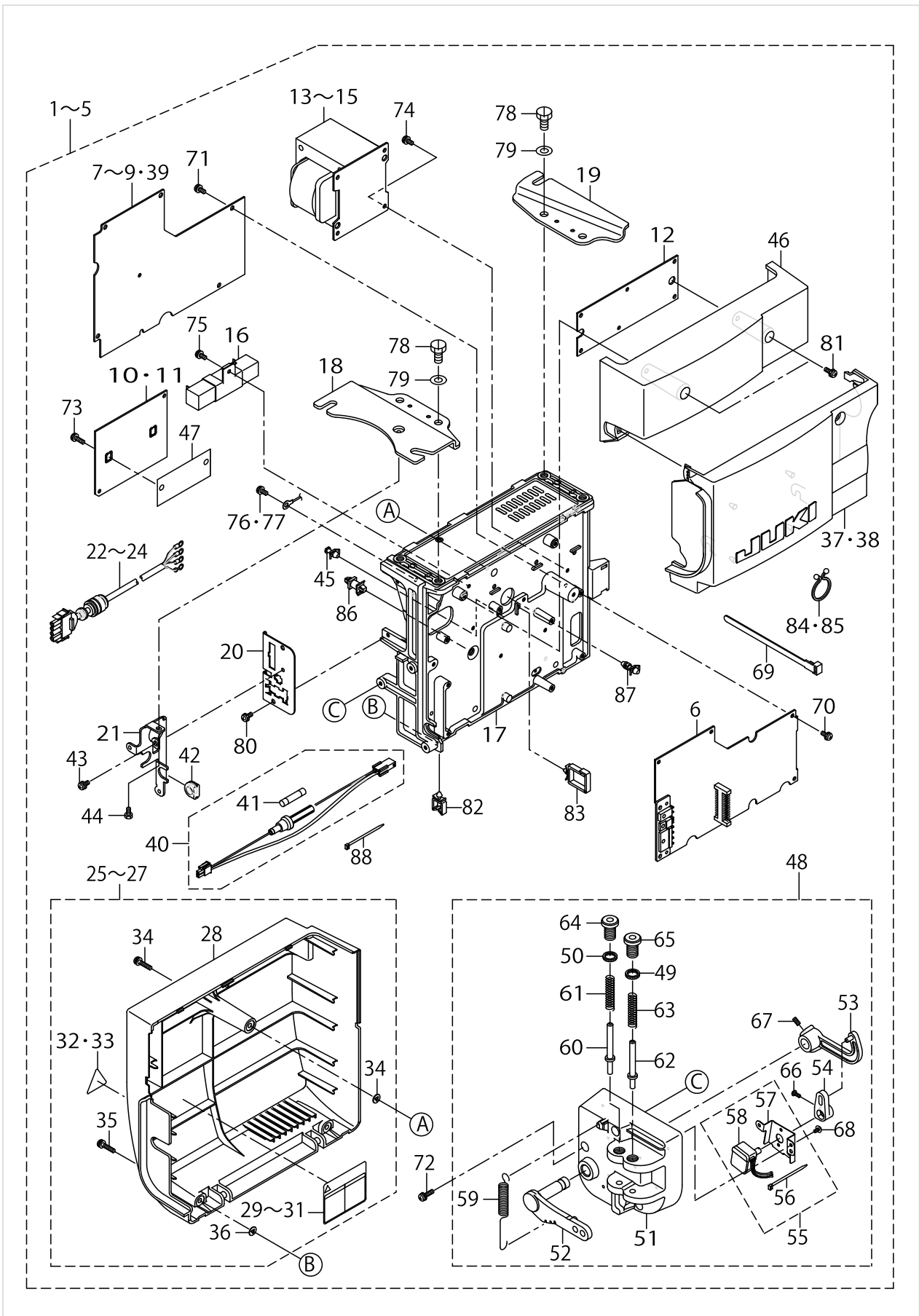
PARTS LIST

Published:05/12/2017

CONTENTS

PSC UNIT COMPONENTS	1
ACCESSORIE PART COMPONENTS.....	7
HOW TO MAKE USE OF THIS PARTS LIST	9

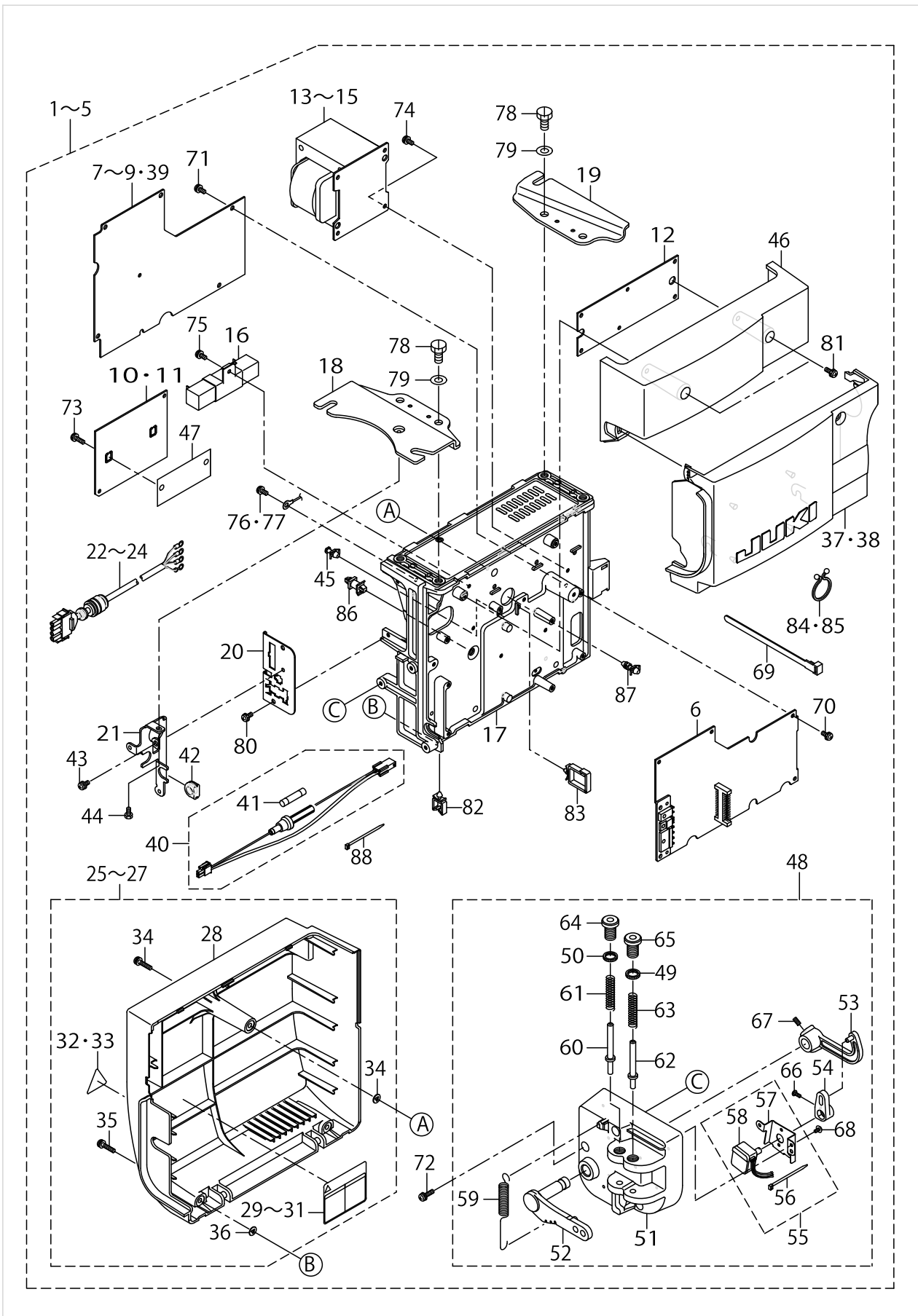
PSC UNIT COMPONENTS



PSC UNIT COMPONENTS

No.	Supply Code	Parts No.	Replacement	Parts name	Remarks	Choice	Step	Level	Cons	Qty	Rep. QTY
1	D	M2002471BA0		PSC UNIT EXPORT PFL 220V 3	FOR EXPORT 200~240V 3φ					1	
2	D	M2002471CA0		PSC UNIT EXPORT PFL 220V 1	FOR EXPORT 200~240V 1φ					1	
3		M2002471DA0		PSC UNIT CEPFL 230V 1	FOR CE 220~240V 1φ					1	
4		M2002471EA0		PSC UNIT JUS PFL 220V 3	FOR JUS 200~240V 3φ					1	
5	D	M2002471FA0		PSC UNIT JUS PFL 120V 1	FOR JUS 100~120V 1φ					1	
6		M8601471CAA		CTL CIRCUIT BOARD CA ASM.				*		1	
7	D	M8602471BA0		PWR CIRCUIT BOARD B ASM.	FOR EXPORT 200~240V 3φ			*		1	
8	D	M8602471DA0		PWR CIRCUIT BOARD D ASM.	FOR CE 220~240V 1φ			*		1	
9		M8602471FA0		PWR CIRCUIT BOARD F ASM.	FOR JUS 100~120V 1φ			*		1	
10	D	M8603471AA0		DRV CIRCUIT BOARD A ASM.	EXPECT CE			*		1	
11		M8603471BA0		DRV CIRCUIT BOARD B ASM.	FOR CE 220~240V 1φ			*		1	
12		M8605471AA0		FTR CIRCUIT BOARD A ASM.	FOR CE 220~240V 1φ			*		1	
13		M8501471BA0		POWER TRANSFORMER B ASM.				*		1	
14	D	M8501471DA0		POWER TRANSFORMER D ASM.	FOR CE 220~240V 1φ			*		1	
15		M8501471CA0		POWER TRANSFORMER C ASM.	FOR JUS 100~120V 1φ			*		1	
16		M8502461AA0		RESISTOR A ASM.				*		1	
17	D	M3001471000		BOX FRAME				*		1	
18		M3801471000		BOX BRACKET (L)				*		1	
19		M3802471000		BOX BRACKET (R)				*		1	
20		M3803471000		CONNECTOR INSTALLING PLATE				*		1	
21		M3804471000		POWER COVER INSTALLING PLATE	FORCE, JUS			*		1	
22	D	M6102471DA0		PSC UNIT CABLE D ASM.	FOR CE 220~240V 1φ			*		1	
23		M6102471AA0		PSC UNIT CABLE A ASM.	FOR JUS 200~240V 3φ			*		1	
24	D	M6102471BA0		PSC UNIT CABLE B ASM.	FOR JUS 100~120V 1φ			*		1	
25	D	M3401471AAB		REARCOVERABASM.	FOR EXPORT, JUS 200~240V			*		1	
26	D	M3401471AAC		REARCOVERACASM.	FOR JUS 100~120V 1φ			*		1	
27	D	M3401471AAD		REARCOVERADASM.	FOR CE 220~240V 1φ			*		1	
28		M3401471A00		REAR COVER A				*		1	
29		M7002471B00		LABEL	FOR EXPORT, JUS 200~240V			*		1	
30		M7002471D00		LABEL(CE)	FOR CE 220~240V 1φ			*		1	
31		M7002471C00		LABEL(EXPORT 100V)	FOR JUS 100~120V 1φ			*		1	
32		CM300100302		LABEL(SMALL)	FOR CE 220~240V 1φ			*		1	
33		CM300100001		LABEL	EXPECT CE			*		1	
34		SL4041891SC		SCREW M4 L=18				*		1	
35		SL4041891SC		SCREW M4 L=18				*		2	
36		M8002430000		STOPPER				*		3	
37	D	M3201471AA0		FRONTCOVERAASM.	FOR EXPORT			*		1	
38	D	M3201471BA0		FRONTCOVERBASM.	FORCE, JUS			*		1	

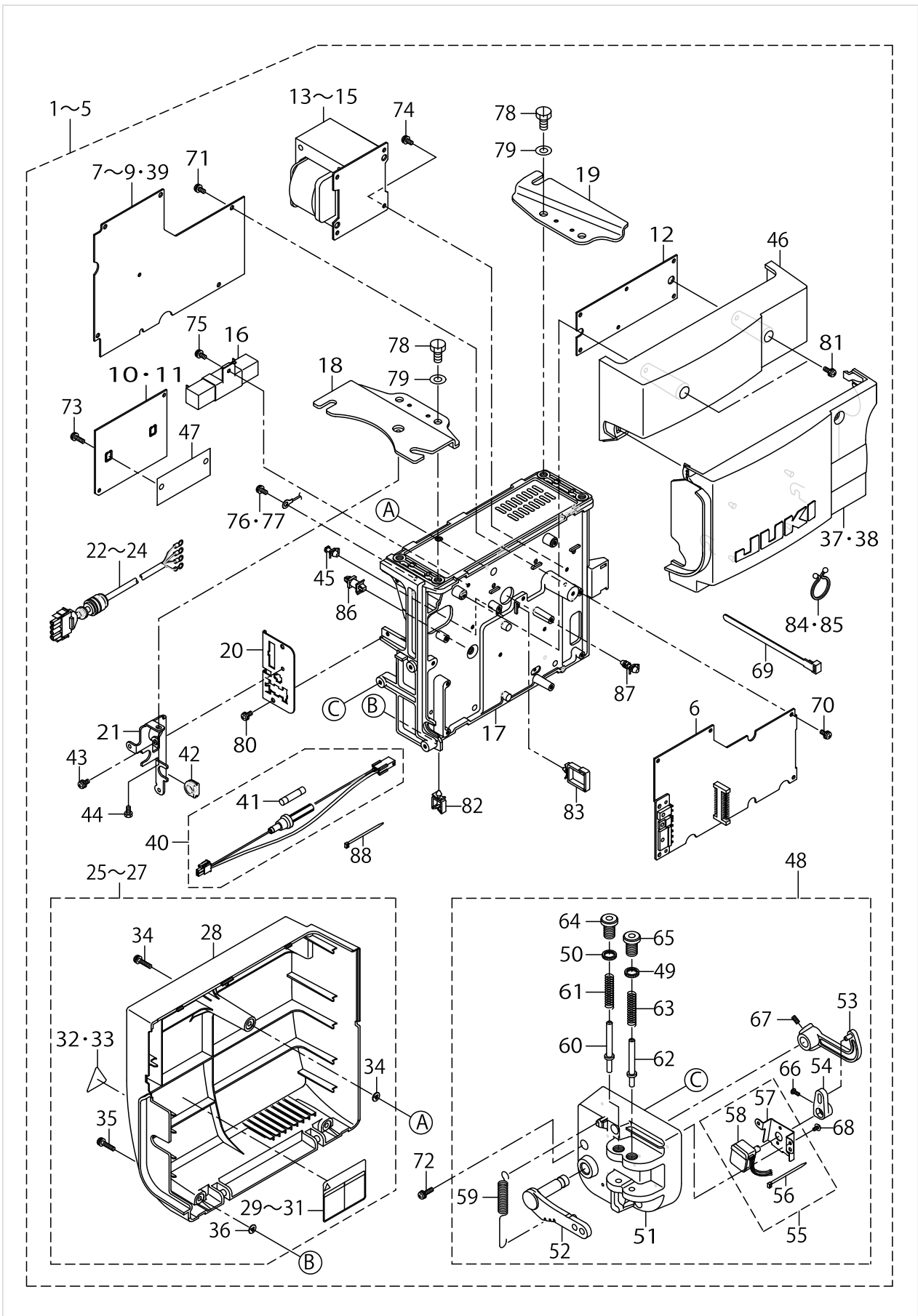
PSC UNIT COMPONENTS



PSC UNIT COMPONENTS

No.	Supply Code	Parts No.	Replacement	Parts name	Remarks	Choice	Step	Level	Cons	Qty	Rep. QTY
39	D	M8602471CA0		PWR CIRCUIT BOARD C ASM.	FOR EXPO-RT 200~240V 1φ			*		1	
40	D	M8511461AA0		LAMP FUSE A ASM.	FOR JUS			*		1	
41		M9644110000		FUSE 8A	FOR JUS			*		1	
42	D	M1014110000		CORD BUSH B	FORCE, JUS			*		1	
43		SL4041081SC		SCREW M4 L=10	FORCE, JUS			*		1	
44		SM9040803SE		SCREW M4 L=8	FORCE, JUS			*		1	
45	D	HX00147000E		CIRCUIT BOARD SPACER				*		1	
46	D	M3202471000		TOP COVER				*		1	
47	D	M8801471000		SEAT				*		1	
48	D	M4001461BA0		PEDAL SENSOR B ASM.	FOR PFL			*		1	
49		M2010110000		ADJUST NUT	FOR PFL			*		2	
50		M2010110000		ADJUST NUT	FOR STANDARD			*		1	
51		M4001461000		PEDALSENSORBASE				*		1	
52		M4002461000		PEDAL LEVER				*		1	
53	R	M4004461000	40006204	PEDAL RING				*		1	1.00
54		M4005461000		VOLUME LINK				*		1	
55	D	M4006461AA0		SENSOR FIXED PLATE A ASM.				*		1	
56		EA9500B0100		CABLE BAND				*		1	
57		M4006461000		SENSOR INSTALLING PLATE				*		1	
58	R	M8508461AA0	M4006461AA0	SENSOR A ASM.				*		1	1.00
59		M4007351000		FRONT SPRING				*		1	
60		M4008351000A		SPRING SHAFT A				*		1	
61		M4010351000		SPRING A	FOR STANDARD			*		1	
62		M4009351000A		SPRING SHAFT B	FOR PFL			*		1	
63		M4011351000		SPRING B	FOR PFL			*		2	
64		M4012351000		ADJUST SCREW	FOR STANDARD			*		1	
65		M4012351000		ADJUST SCREW	FOR PFL			*		2	
66		SM4030801SF		SCREW M3X0.5 L=8				*		1	
67		SM8040802TP		SCREW M4X8				*		2	
68		SV4030601SR		SCREW M3 L=6				*		2	
69		HX00292000A		CONNECTING PART				*		1	
70		SL4041081SF		SCREW M4 L=10				*		6	
71		SL4041081SF		SCREW M4 L=10				*		5	
72		SL4041681SF		SCREW M4 L=16				*		3	
73		SL4041481SC		SCREW M4X0.7 L=14				*		2	
74		SL4041081SF		SCREW M4 L=10				*		4	
75		SL4041081SF		SCREW M4 L=10				*		1	
76		SL4041091SE		SCREW M4 L=10	EXPECT CE			*		3	
77		SL4041091SE		SCREW M4 L=10	FOR JUS 1-00~120V 1φ			*		5	
78		SM9081620SE		SCREW M8 L=16				*		4	
79		WP0841601SE		WASHER				*		4	
80		SL4041081SC		SCREW M4 L=10				*		2	
81		SL4041281SC		SCREW M4X0.7 L=12				*		2	
82		HX00222000B		CABLE CLAMP				*		1	
83		HX005110000		WIRE SADDLE				*		1	

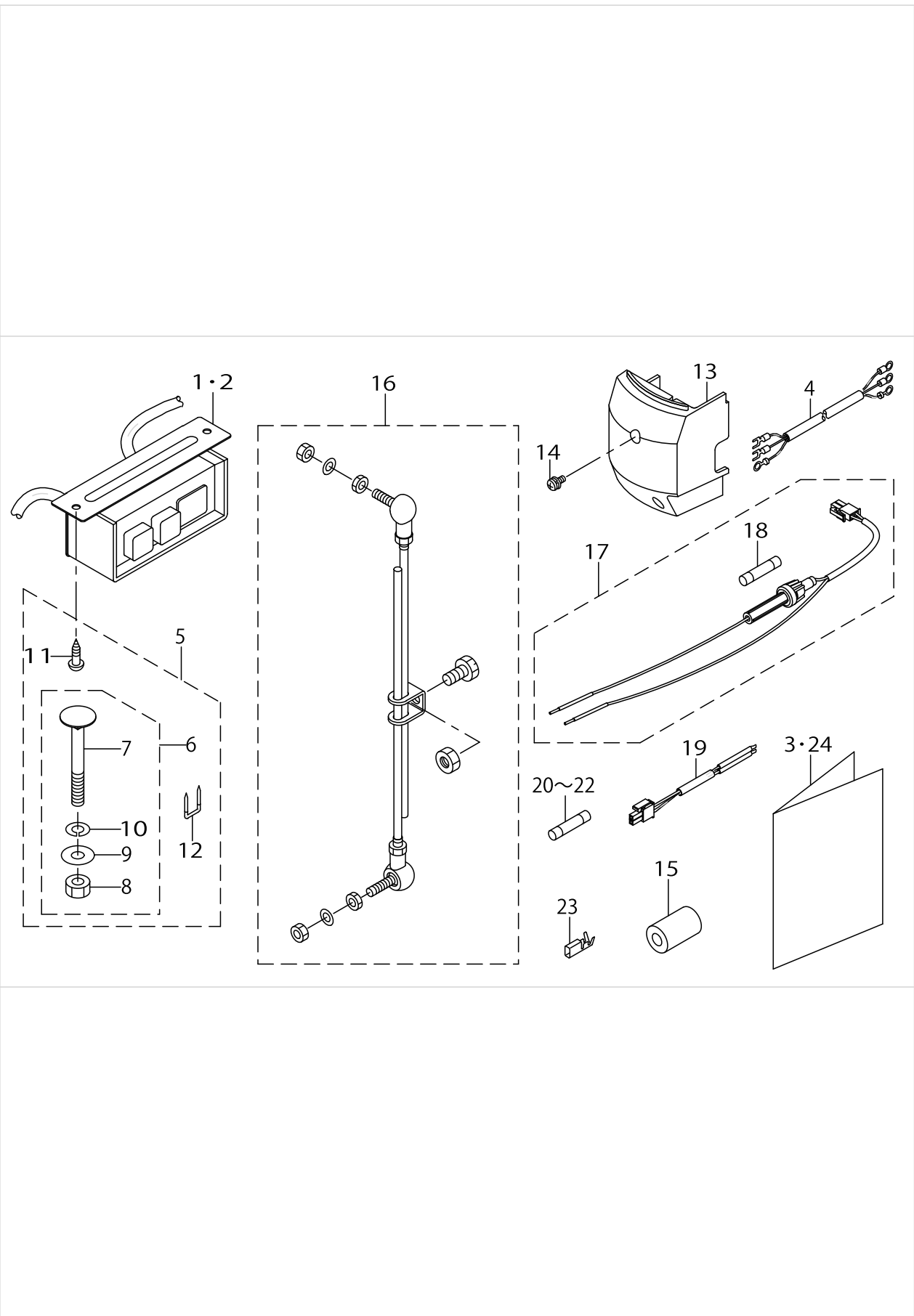
PSC UNIT COMPONENTS



PSC UNIT COMPONENTS

No.	Supply Code	Parts No.	Replacement	Parts name	Remarks	Choice	Step	Level	Cons	Qty	Rep. QTY
84		HX005100000		OMEGALOCK	FOR CE 22-0~240V 1φ			*		1	
85		HX005100000		OMEGALOCK	EXPECT CE			*		2	
86		HX00228000B		SPACER				*		1	
87		HX00228000D		SPACER	FOR CE 22-0~240V 1φ			*		2	
88		EA9500B0100		CABLE BAND	FOR JUS			*		1	

ACCESSORIE PART COMPONENTS



ACCESSORIE PART COMPONENTS

No.	Supply Code	Parts No.	Replacement	Parts name	Remarks	Choice	Step	Level	Cons	Qty	Rep. QTY
1	D	M6101471AA0		POWER SWITCH A ASM.	FOR 200~240V 3φ					1	
2		M6101471CA0		POWER SWITCH C ASM.	FOR 200~240V 1φ					1	
3		29326402		SC-900 INSTRUCTION MANUAL	FORCE, JUS					1	
4		M6102461DAA		AC INPUT CABLE ASM.(CE)	FOR CE 22-0~240V 1φ					1	
5	R	M4401471AA0	SK3512001SE	BOX ACCESSORIE PART A ASM.	FOR EXPORT	A				1	2.00
5	R	M4401471AA0	WS0820002KR	BOX ACCESSORIE PART A ASM.	FOR EXPORT	A				1	3.00
5	R	M4401471AA0	NM6080002SC	BOX ACCESSORIE PART A ASM.	FOR EXPORT	A				1	3.00
5	R	M4401471AA0	MAO11532000	BOX ACCESSORIE PART A ASM.	FOR EXPORT	A				1	5.00
5	R	M4401471AA0	MTSHJ100003	BOX ACCESSORIE PART A ASM.	FOR EXPORT	A				1	3.00
5	R	M4401471AA0	WP0851846SC	BOX ACCESSORIE PART A ASM.	FOR EXPORT	A				1	3.00
6		M4401471BA0		BOX ACCESSORIE PART B ASM.	FOR JUS			*		1	
7		MTSHJ100003		BOLT				*		3	
8		NM6080002SC		NUT M8				*		3	
9		WP0851846SC		WASHER 8.5X22.0X1.8				*		3	
10		WS0820002KR		SPRING WASHER, M8				*		3	
11		SK3512001SE		WOOD SCREW D=5.1 L=20				*		2	
12	D	MA011532000		STAPLE				*		5	
13	D	M3601471AA0		POWERCOVERAASM.	FORCE, JUS					1	
14		SL4041081SC		SCREW M4 L=10	FORCE, JUS					2	
15		HN00149000A		CLAMP FILTER	FOR CE 22-0~240V 1φ					1	
16		M4501471AA0		CONNECTING ROD A ASM.						1	
17	D	M8525351AA0		LAMP FUSE HOLDER ASM., A						1	
18		M9644110000		FUSE 8A				*		1	
19		M8526351AA0		LAMP CORD ASM., A	FOR JUS					1	
20		HF0079020P0		FUSE 2A	FOR EXPORT, JUS 200~240V					1	
21		HF0079040P0		FUSE 4A	FOR JUS 1-00~120V 1φ					1	
22		HF0078020P0		FUSE 2A	FOR CE 22-0~240V 1φ					1	
23	R	HK032040000	HK016540000	PIN TERMINAL						8	1.00
24		29326303		INSTRUCTION MANUAL (3 LANG.)						1	

HOW TO MAKE USE OF THIS PARTS LIST

1.As to "#01" and "#02" refer to the "Note" given at the bottom of the respective pages.

2.Codes on the "Qty" column

- Each numeral indicates the number of parts required.
- "0.1" and "2.5" indicate the length (in meters) of the respective parts.

3.Parentheses mean that the corresponding part is a subpart that constructs an assembly part.

4.Dotted lines on the Figures indicate assembly parts.

1. リストページの# 0 1、# 0 2の印は、ページ下の"注記"の説明を参照下さい。
2. 数量欄の数字は、個数を表し、0. 1、2. 5等の数値は、長さ（単位メートル）を表します。
3. 数量欄の（ ）は、組部品を構成している子部品であることを意味します。
4. イラストページの-----枠は、組構成であることを意味します。

NUMERICAL INDEX OF PARTS

PART NO	PAGE	REF NO.	PART NO	PAGE	REF NO.	PART NO	PAGE	REF NO.
29326303	8	3·24	M4007351000	4	59	SL4041091SE	4	76·77
29326402	8	3·24	M4008351000A	4	60	SL4041281SC	4	81
CM300100001	2	32·33	M4009351000A	4	62	SL4041481SC	4	73
CM300100302	2	32·33	M4010351000	4	61	SL4041681SF	4	72
EA9500B0100	4	88	M4011351000	4	63	SL4041891SC	2	35
EA9500B0100	6	88	M4012351000	4	65	SM4030801SF	4	66
HF0078020P0	8	20~22	M4401471AA0	8	5	SM8040802TP	4	67
HF0079020P0	8	20~22	M4401471BA0	8	6	SM9040803SE	4	44
HF0079040P0	8	20~22	M4501471AA0	8	16	SM9081620SE	4	78
HK032040000	8	23	M6101471AA0	8	1·2	SV4030601SR	4	68
HN00149000A	8	15	M6101471CA0	8	1·2	WP0841601SE	4	79
HX00147000E	4	45	M6102461DAA	8	4	WP0851846SC	8	9
HX00222000B	4	82	M6102471AA0	2	22~24	WS0820002KR	8	10
HX00228000B	6	86	M6102471BA0	2	22~24			
HX00228000D	6	87	M6102471DA0	2	22~24			
HX00292000A	4	69	M7002471B00	2	29~31			
HX005100000	6	84·85	M7002471C00	2	29~31			
HX005110000	4	83	M7002471D00	2	29~31			
M1014110000	4	42	M8002430000	2	36			
M2002471BA0	2	1~5	M8501471BA0	2	13~15			
M2002471CA0	2	1~5	M8501471CA0	2	13~15			
M2002471DA0	2	1~5	M8501471DA0	2	13~15			
M2002471EA0	2	1~5	M8502461AA0	2	16			
M2002471FA0	2	1~5	M8508461AA0	4	58			
M2010110000	4	50	M8511461AA0	4	40			
M3001471000	2	17	M8525351AA0	8	17			
M3201471AA0	2	37·38	M8526351AA0	8	19			
M3201471BA0	2	37·38	M8601471CAA	2	6			
M3202471000	4	46	M8602471BA0	2	7~9·39			
M3401471A00	2	28	M8602471CA0	4	7~9·39			
M3401471AAB	2	25~27	M8602471DA0	2	7~9·39			
M3401471AAC	2	25~27	M8602471FA0	2	7~9·39			
M3401471AAD	2	25~27	M8603471AA0	2	10·11			
M3601471AA0	8	13	M8603471BA0	2	10·11			
M3801471000	2	18	M8605471AA0	2	12			
M3802471000	2	19	M8801471000	4	47			
M3803471000	2	20	M9644110000	4	41			
M3804471000	2	21	M9644110000	8	18			
M4001461000	4	51	MA011532000	8	12			
M4001461BA0	4	48	MTSHJ100003	8	7			
M4002461000	4	52	NM6080002SC	8	8			
M4004461000	4	53	SK3512001SE	8	11			
M4005461000	4	54	SL4041081SC	4	80			
M4006461000	4	57	SL4041081SC	8	14			
M4006461AA0	4	55	SL4041081SF	4	75			