

MODEL : FU-03

List No : 1249-01

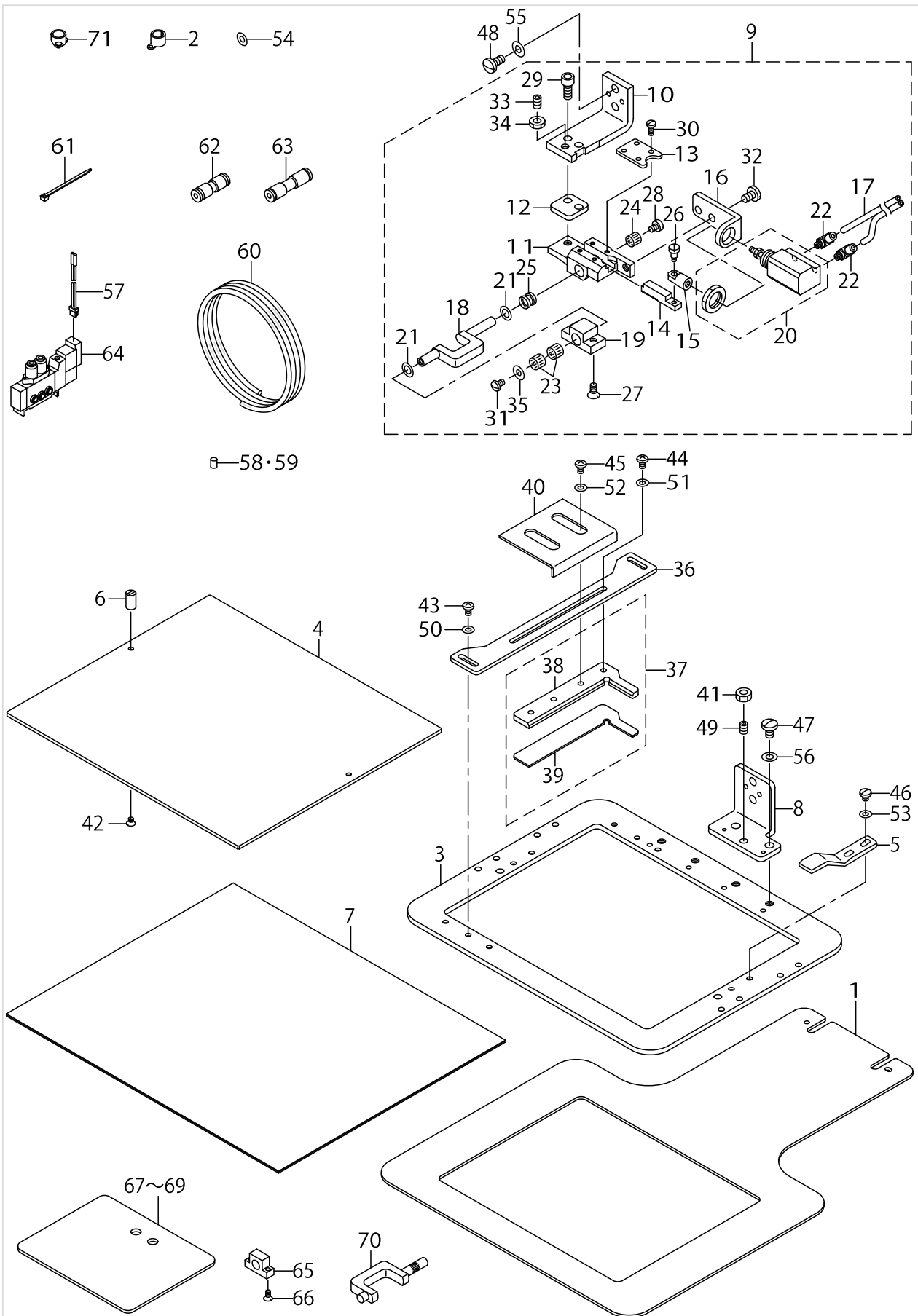
PARTS LIST

Published:05/12/2017

CONTENTS

TURN AROUND MECHANISM CMPONENTS.....	1
HOW TO MAKE USE OF THIS PARTS LIST	5

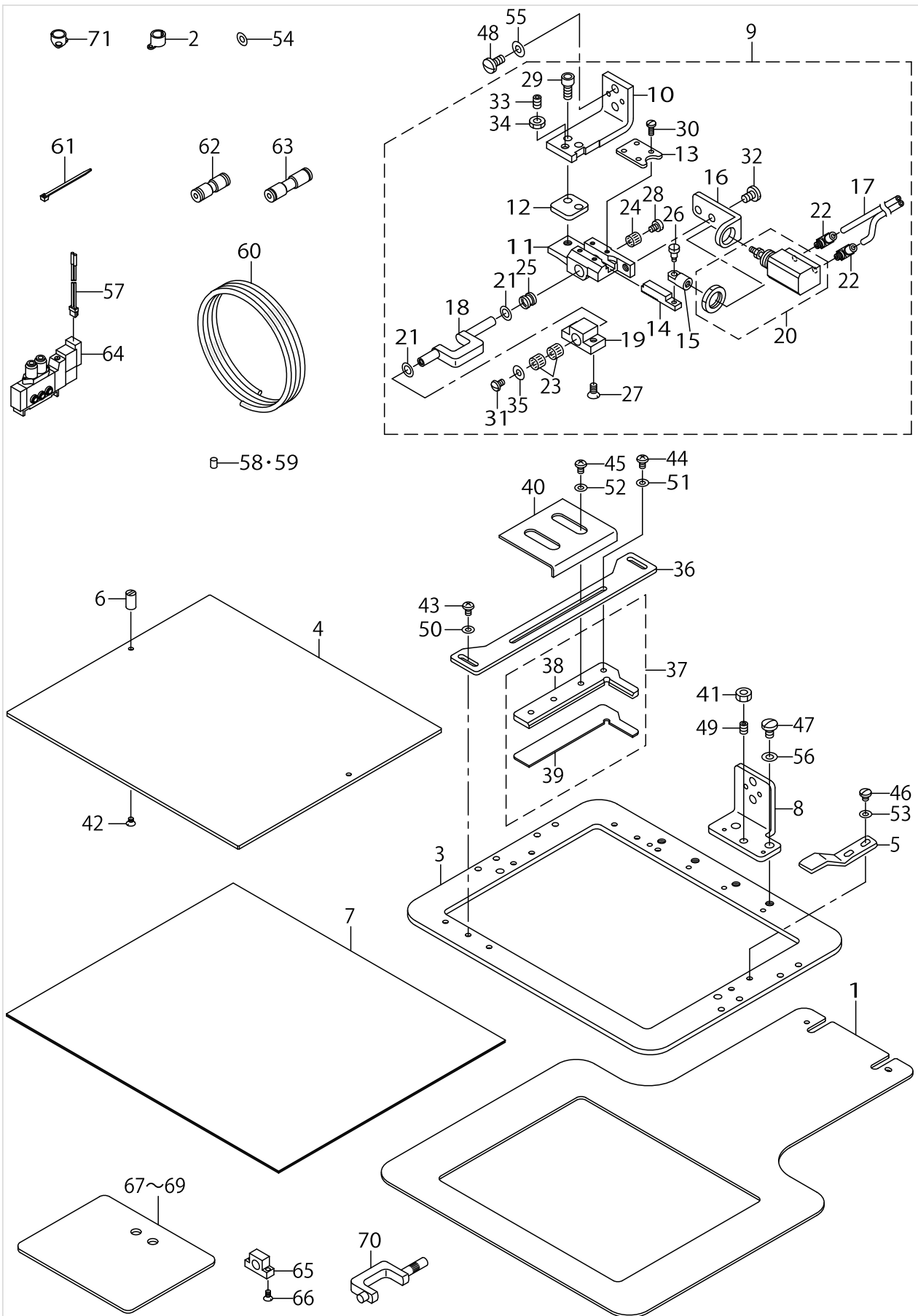
TURN AROUND MECHANISM COMPONENTS



TURN AROUND MECHANISM COMPONENTS

No.	Supply Code	Parts No.	Replacement	Parts name	Remarks	Choice	Step	Level	Cons	Qty	Rep. QTY
1		GFU03003000		LOWER PLATE						1	
2	R	B1406210000	40026884	THREAD GUIDE						1	1.00
3		B2553215A00		FRAME						1	
4		B2557215A00		PLASTICS BLANK						2	
5		B2558220000		PLASTIC BLANK PLATE						2	
6		B2559220000		HINGE PIN						4	
7		B2564215A00		SPONGE						1	
8		B2604215AA0		PRESSER FOOT ASM., RIGHT						1	
9		B43012150A0		INNER PRESSER FOOT ASM.						1	
10		B4301215000		INNER PRESSER FOOT				*		1	
11		B4302220000		BEARING				*		1	
12		B4303220000		SPACER				*		1	
13		B4304220000		SUPPORT RACK				*		1	
14		B4305220000		TURN RACK				*		1	
15		B4306220000		KNUCKLE				*		1	
16		B4307220000		BRACKET				*		1	
17		B4308215000		CYLINDER TUBE				*		1	
18		B4309220000		CRANK SHAFT				*		1	
19		B4320220000		SUPPORT BASE				*		1	
20		B4327220000		CYLINDER				*		1	
21		B4328220000		WASHER				*		2	
22		PJ046052503		HOSE ELBOW				*		2	
23		SB307000100		NEEDLE BEARING				*		2	
24		SB307000100		NEEDLE BEARING				*		1	
25		SB307000200		BEARING				*		1	
26		SD0460703TP		HINGE SCREW D=4.6 H=7				*		1	
27		SS1121010SP		SCREW				*		2	
28		SS6110640SP		SCREW 11/64-40 L=6				*		1	
29		SS6151412TP		SCREW 15/64-28 L=14				*		2	
30		SS7090910TP		SCREW 9/64-40 L=8.5				*		4	
31		SS5110710SP		SCREW 11/64-40 L=7				*		1	
32		SS7150940SP		SCREW 15/64-28 L=9				*		2	
33		SS8150912TH		SCREW 15/64-28 L=9				*		1	
34		NS6150310SP		NUT 15/64-28				*		1	
35		B322877100B		BOBBIN WINDER SPACER				*		1	
36	D	B4310215000		LABEL GUIDE A						1	
37		B43112200A0		LABEL GUIDE B ASM.						1	
38	D	B4311220000		LABEL GUIDE B				*		1	
39	D	B4315220000		SEAT				*		1	
40		B4312220000		LABEL GUIDE C						1	
41		NS6150330SD		NUT 15/64-28						1	
42		SS1090510SP		SCREW 9/64-40 L=5						4	
43		SS4110715SP		SCREW 11/64-40 L=7						2	
44		SS4110715SP		SCREW 11/64-40 L=7						2	
45		SS4110715SP		SCREW 11/64-40 L=7						2	
46		SS7110510SP		SCREW 11/64-40 L=5						4	

TURN AROUND MECHANISM COMPONENTS



TURN AROUND MECHANISM COMPONENTS

No.	Supply Code	Parts No.	Replacement	Parts name	Remarks	Choice	Step	Level	Cons	Qty	Rep. QTY
47		SS7150910TP		SCREW 15/64-28 L=9						2	
48		SS7151210SP		SCREW15/64-28L=12						2	
49		SS8150822TP		SCREW 15/64-28 L=8						1	
50		WP0450000SD		WASHER 4.5X8X0.5						2	
51		WP0450000SD		WASHER 4.5X8X0.5						2	
52		WP0450000SD		WASHER 4.5X8X0.5						2	
53		WP0450801SD		WASHER 4.5X10X0.8						4	
54		WP0502616SD		WASHER						1	
55		WP0651056SD		WASHER 6.5X11X1						2	
56		WP0651056SD		WASHER 6.5X11X1						2	
57		14204754		SOLENOID VALVE CONNECTOR ASM.						1	
58		B471122000I		AIR TUBE LABEL J07						1	
59		B471122000J		AIR TUBE LABEL J08						1	
60		BT0400251EB		URETHANE HOSE, BLACK						2	
61		HX002330000		CLIP						5	
62		PJ303040002		STRAIGHT UNION						1	
63		PJ303040004		QUICK COUPLING						1	
64		PV150209000		5 PORT SOLENOID VALVE						1	
65		B4316220000		SUPPORT BASE B	OPTIONAL PART					1	
66		SS1090750SP		SCREW 9/64-40 L=7	OPTIONAL PART					2	
67		B4317220000		LARGE BLANK (DIAMOND CUT)	OPTIONAL PART					1	
68		B4318220000		MIDDLE BLANK (DIAMOND CUT)	OPTIONAL PART					1	
69		B4319220000		SMALL BLANK (DIAMOND CUT)	OPTIONAL PART					1	
70		B4326220000		CRANK SHAFT B	OPTIONAL PART					1	
71		B1406215P00		THREAD GUIDE H	FOR PERFECT STITCH SPECIFICATIONS					1	

HOW TO MAKE USE OF THIS PARTS LIST

1.As to "#01" and "#02" refer to the "Note" given at the bottom of the respective pages.

2.Codes on the "Qty" column

- Each numeral indicates the number of parts required.
- "0.1" and "2.5" indicate the length (in meters) of the respective parts.

3.Parentheses mean that the corresponding part is a subpart that constructs an assembly part.

4.Dotted lines on the Figures indicate assembly parts.

1. リストページの# 0 1、# 0 2の印は、ページ下の"注記"の説明を参照下さい。
2. 数量欄の数字は、個数を表し、0. 1、2. 5等の数値は、長さ（単位メートル）を表します。
3. 数量欄の（ ）は、組部品を構成している子部品であることを意味します。
4. イラストページの-----枠は、組構成であることを意味します。

NUMERICAL INDEX OF PARTS

PART NO	PAGE	REF NO.	PART NO	PAGE	REF NO.
14204754	4	57	SB307000200	2	25
B1406210000	2	2	SD0460703TP	2	26
B1406215P00	4	71	SS1090510SP	2	42
B2553215A00	2	3	SS1090750SP	4	66
B2557215A00	2	4	SS1121010SP	2	27
B2558220000	2	5	SS4110715SP	2	45
B2559220000	2	6	SS5110710SP	2	31
B2564215A00	2	7	SS6110640SP	2	28
B2604215AA0	2	8	SS6151412TP	2	29
B322877100B	2	35	SS7090910TP	2	30
B4301215000	2	10	SS7110510SP	2	46
B43012150A0	2	9	SS7150910TP	4	47
B4302220000	2	11	SS7150940SP	2	32
B4303220000	2	12	SS7151210SP	4	48
B4304220000	2	13	SS8150822TP	4	49
B4305220000	2	14	SS8150912TH	2	33
B4306220000	2	15	WP0450000SD	4	52
B4307220000	2	16	WP0450801SD	4	53
B4308215000	2	17	WP0502616SD	4	54
B4309220000	2	18	WP0651056SD	4	56
B4310215000	2	36			
B4311220000	2	38			
B43112200A0	2	37			
B4312220000	2	40			
B4315220000	2	39			
B4316220000	4	65			
B4317220000	4	67~69			
B4318220000	4	67~69			
B4319220000	4	67~69			
B4320220000	2	19			
B4326220000	4	70			
B4327220000	2	20			
B4328220000	2	21			
B471122000I	4	58·59			
B471122000J	4	58·59			
BT0400251EB	4	60			
GFU03003000	2	1			
HX002330000	4	61			
NS6150310SP	2	34			
NS6150330SD	2	41			
PJ046052503	2	22			
PJ303040002	4	62			
PJ303040004	4	63			
PV150209000	4	64			
SB307000100	2	24			