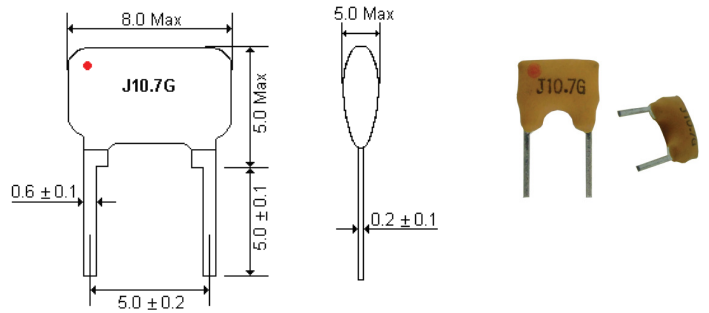




DESCRIPTION

Ceramic Discriminators JT10.7M for FM are resonated devices that offer adjustment free audio detection in both wide and narrow bandwidths. These IC dependent devices utilize FM specific detection methods to convert changes in frequency into an intelligible audio signal.

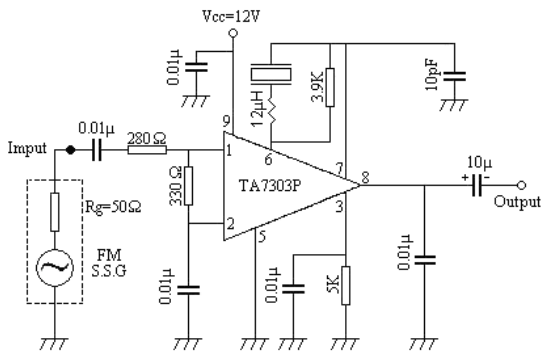
MECHANICAL DIMENSIONS (all in mm)



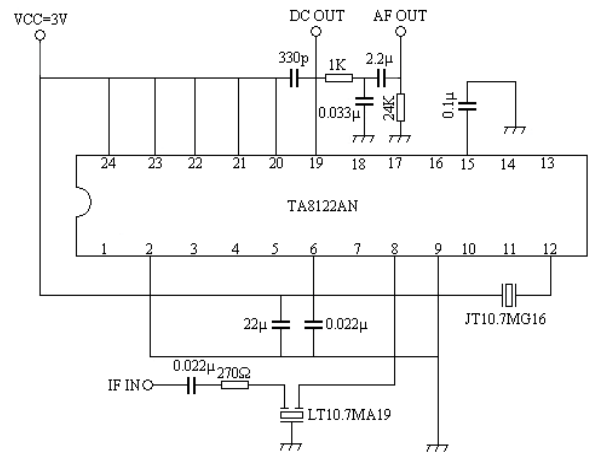
ELECTRICAL SPECIFICATION

Part Number	Center Frequency in MHz	3dB Bandwidth in kHz	Distortion Factor in %	Recovered Audio Voltage in mV	Applied IC in Test Circuit	Detection Method
JT10.7MG3-A	10.7 + 0.03	≥ + 150	≤ 1.0	≥ 650	TA7303P	Differential Peak
JT10.7MG7-A	10.7 + 0.03	≥ 220	≤ 1.0	≥ 60	-	Quadrature
JT10.7MG16-A	10.7 + 0.03	≥ 300	≤ 0.9	60 to 90	TA8122AN	Quadrature
JT10.7MG18-A	10.7 + 0.03	≥ 300	≤ 0.9	60 to 90	TA8132N	Quadrature
JT10.7MC1-A	10.7 + 0.03	≥ 242	≤ 1.0	≥ 20	CXA1019	Quadrature
JT10.7MA-A	10.7 + 0.03	≥ 350	≤ 1.0	≥ 80	-	-

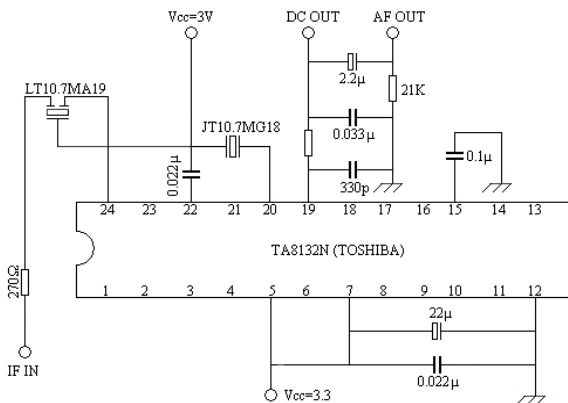
TEST CIRCUIT JT10.7MG3-A



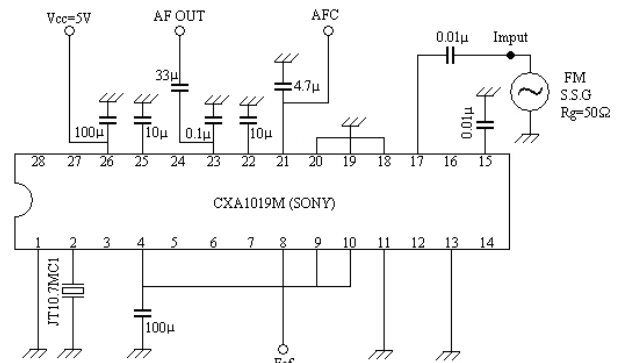
TEST CIRCUIT JT10.7MG16



TEST CIRCUIT JT10.7MG18



TEST CIRCUIT JT10.7MC1



PART NUMBERING SYSTEM (Example)

JT10.7MG3-A-10.7-XX

Hold Type
See Table 1

Center Frequency (MHz)
See Table 1

Options (can be blank)
S= Standard
X=Additional Specifications

* Operating Temperature Range: 0°C to 60°C (Standard)
* Specific Operating Temperature Range under request.