

MODEL : T050
List No : 1162-01

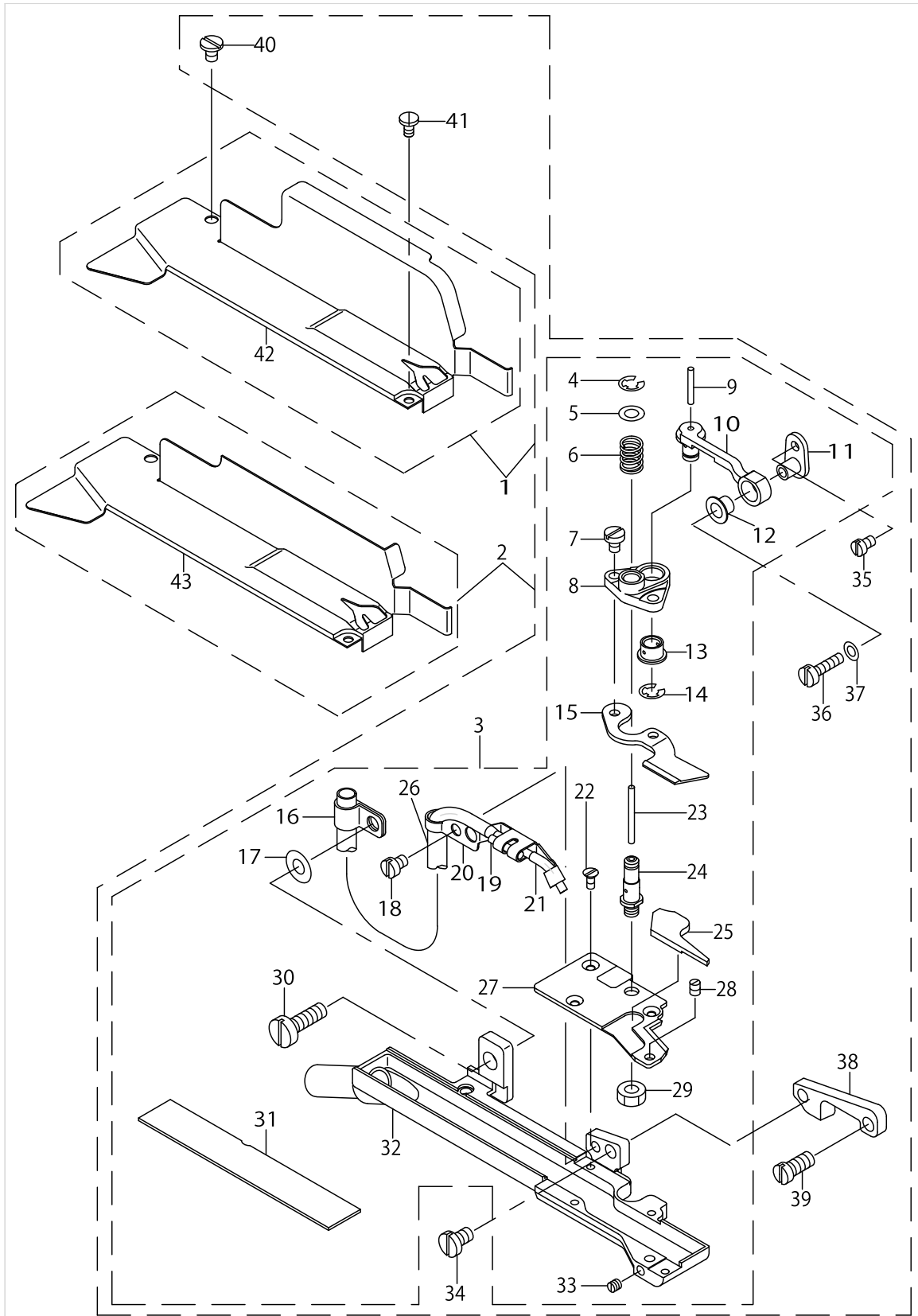
PARTS LIST

Published:05/12/2017

CONTENTS

PNEUMATIC FLAT CUTTER (T050)	1
HOW TO MAKE USE OF THIS PARTS LIST	3

PNEUMATIC FLAT CUTTER (T050)



PNEUMATIC FLAT CUTTER (T050)

No.	Supply Code	Parts No.	Replacement	Parts name	Remarks	Choice	Step	Level	Cons	Qty	Rep. QTY
1		MAT050010A0		PNEUMATIC FLAT CUTTER.MOG-3716	FOR MOG-- 3716.MO-6916G					1	
2		MAT050010B0		PNEUMATIC FLAT CUTTER.MOJ-3916	FOR MOJ-- 3916.MO-6916J					1	
3		MAT050020B0		KNIFE PLATE ASM.				*		1	
4		RE0300000K0		E-RING 3				*		1	
5		WP0450000SD		WASHER 4.5X8X0.5				*		1	
6		MAT03509000		SPRING				*		1	
7		SS7080510TP		SCREW 1/8-44 L=4.5				*		2	
8		MAT03508000		MOVING KNIFE BRACKET				*		1	
9		CQ202000000		OIL WICK				*		0.1	
10	D	MAT05006000		KNIFE DRIVING RINK				*		1	
11		MAT03512000		KNIFE DRIVING RINK BRACKET				*		1	
12		MAT03510000		KNIFE DRIVING RINK PIECE				*		1	
13		MAT03510000		KNIFE DRIVING RINK PIECE				*		1	
14		RE0400000K0		E-RING 4				*		1	
15		MAT03506000		MOVING KNIFE				*		1	
16		MAT03516000		OIL TUBE HOLDER				*		1	
17		WP0502616SD		WASHER				*		1	
18		SS7090520TP		SCREW 9/64-40 L=4.5				*		1	
19		CQ2500000F0		OIL WICK				*		1	
20		MAT05007000		OIL TUBE ASM.				*		1	
21		MAT050080A0		OIL TUBE ASM.				*		1	
22		SS1060610SP		SCREW 3/32-56 L=5.5				*		3	
23		CQ202000000		OIL WICK				*		0.1	
24		MAT03507000		KNIFE BAR DRIVING SHAFT				*		1	
25		MAT03517000		AIR LEAK STOPPER				*		1	
26		BP400000000		VINYL TUBE, WHITE D=4				*		0.1	
27		MAT03505000		FIXED KNIFE				*		1	
28		SS8080610SP		SCREW 1/8-44 L=5.5				*		1	
29		NS6110310SP		NUT 11/64-40				*		1	
30		SS7121410TP		SCREW 3/16-28 L=14				*		1	
31		MAT03518000		KNIFE PLATE COVER				*		1	
32		MAT050020A0		KNIFE PLATE ASM.				*		1	
33		SS8080310TP		SCREW 1/8-44 L=2.8				*		1	
34		SS7110840SP		SCREW 11/64-40 L=7.8				*		1	
35		SS7080520SP		SCREW 1/8-44 L=4.9				*		1	
36		SS7081310SP		SCREW 1/8-44 L=12.5				*		1	
37		WP0371016SD		WASHER 3.7X8X1				*		1	
38		MAT05005000		KNIFE PLATE				*		1	
39	R	SS7120910SP	SS7120910TP	SCREW 3/16-28 L=9				*		1	1.00
40		SS6090520SP		SCREW 9/64-40 L=5.0				*		1	
41		SS7060310SP		SCREW 3/32-56 L=3				*		1	
42		MAT05011000		KNIFE BASE COVER				*		1	
43		MAT05012000		KNIFE BASE COVER				*		1	

HOW TO MAKE USE OF THIS PARTS LIST

1.As to "#01" and "#02" refer to the "Note" given at the bottom of the respective pages.

2.Codes on the "Qty" column

- Each numeral indicates the number of parts required.
- "0.1" and "2.5" indicate the length (in meters) of the respective parts.

3.Parentheses mean that the corresponding part is a subpart that constructs an assembly part.

4.Dotted lines on the Figures indicate assembly parts.

1. リストページの# 0 1、# 0 2の印は、ページ下の"注記"の説明を参照下さい。
2. 数量欄の数字は、個数を表し、0. 1、2. 5等の数値は、長さ（単位メートル）を表します。
3. 数量欄の（ ）は、組部品を構成している子部品であることを意味します。
4. イラストページの-----枠は、組構成であることを意味します。

NUMERICAL INDEX OF PARTS

PART NO	PAGE	REF NO.
BP40000000	2	26
CQ20200000	2	23
CQ250000F0	2	19
MAT03505000	2	27
MAT03506000	2	15
MAT03507000	2	24
MAT03508000	2	8
MAT03509000	2	6
MAT03510000	2	13
MAT03512000	2	11
MAT03516000	2	16
MAT03517000	2	25
MAT03518000	2	31
MAT050010A0	2	1
MAT050010B0	2	2
MAT050020A0	2	32
MAT050020B0	2	3
MAT05005000	2	38
MAT05006000	2	10
MAT05007000	2	20
MAT050080A0	2	21
MAT05011000	2	42
MAT05012000	2	43
NS6110310SP	2	29
RE030000K0	2	4
RE040000K0	2	14
SS1060610SP	2	22
SS6090520SP	2	40
SS7060310SP	2	41
SS7080510TP	2	7
SS7080520SP	2	35
SS7081310SP	2	36
SS7090520TP	2	18
SS7110840SP	2	34
SS7120910SP	2	39
SS7121410TP	2	30
SS8080310TP	2	33
SS8080610SP	2	28
WP0371016SD	2	37
WP0450000SD	2	5
WP0502616SD	2	17