

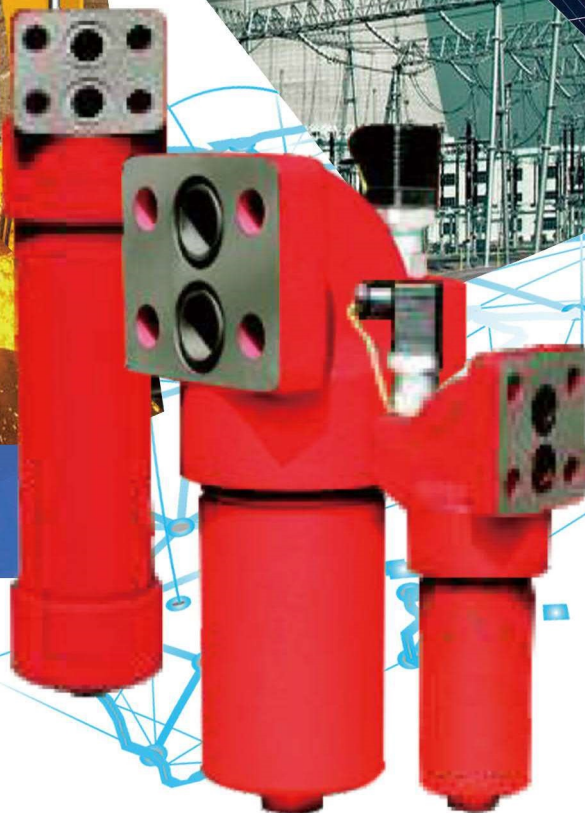


ГИДРООТВЕТ
доступная гидравлика

Напорный фильтр WKDF AFE QE с фланцем

Up to 500L/min

Up to 315bar



WKDF AFE QE Pressure Filter



1. TECHNICAL SPECIFICATIONS

1.1 FILTER HOUSING

Construction

The filter housings are designed in accordance with international regulations. They consist of a filter head and a screw-in filter bowl.

Standard equipment:

- mounting holes in the filter head
- two-piece bowl for size 990 and above (optional for size 660 and above)
- drain screw with pressure relief (standard for size 330 and above)

1.2 FILTER ELEMENTS

WK-Hydraulic filter elements are validated and their quality is constantly monitored according to the following standards:

- ISO 2941
- ISO 2942
- ISO 2943
- ISO 3724
- ISO 3968
- ISO 11170
- ISO 16889

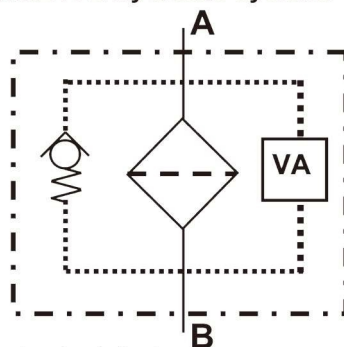
Filter elements are available with the following pressure stability values:

Glass fiber (ON):	20 bar
Glass fiber (BH4HC):	210 bar
Wire mesh (W/HC):	20 bar
Stainless steel fibre (V):	210 bar

1.3 FILTER SPECIFICATIONS

Nominal pressure	WK DF AFE QE : 315 bar
Fatigue strength	10 ⁶ cycles (WK DF AFE QE) from 0 to nominal pressure
Temperature range	-10 °C to +100 °C (-30 °C to -10 °C: p _{max} = 0.5 x nom. press.)
Material of filter head	EN-GJS-400-15 (WK DF AFE QE)
Material of filter bowl	Steel
Type of clogging indicator	VD (differential pressure measurement up to 420 bar operating pressure)
Pressure setting of the clogging indicator	5 bar (others on request)
Cracking pressure of bypass (optional)	6 bar

Symbol for hydraulic systems



VA = clogging indicator

1.4 SEALS

NBR (=Perbunan)

1.5 INSTALLATION

Pressure filter for flange mounting

1.6 SPECIAL MODELS AND ACCESSORIES

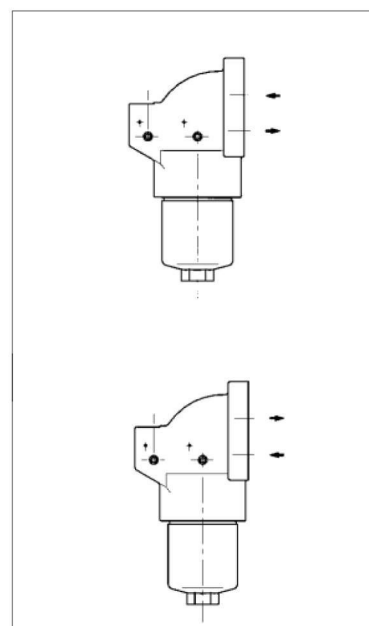
- Bypass valve built into the head, separate from the main flow
- Seals in FPM, EPDM
- Test and approval certificates

1.7 SPARE PARTS

See Original Spare Parts List

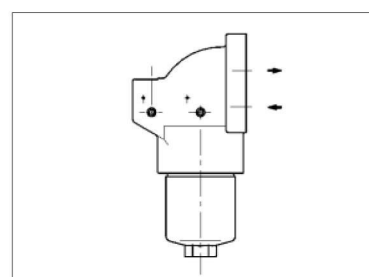
WKDF 30-280 QE:

The exit is above the entrance



WKDF 330-1320 QE:

The exit is above the entrance



2. MODEL CODE (also order example)**WKDF AFE ON 240 Q E 10 D 1 . X /-L24****2.1. COMPLETE FILTER****Filter type**

WKDF AFE

Filter material

ON

BH/HC

W/HC Stainl. st. wire mesh

V Stainless steel fibre

Size of filter or element

Q E: 30, 60, 110, 140, 160, 240, 280, 330, 500, 660, 990, 1320

Operating pressure

Q 315bar

Type and size of connection

E 4 mounting holes

Filtration rating in µm

ON: 1, 3, 5, 10, 15, 20

BH/HC, V: 3, 5, 10, 20

W/HC: 25, 50, 100, 200

Type of clogging indicator

Y plastic blanking plug in indicator port

A steel blanking plug in indicator port

B visual

C electrical } for other clogging indicators

D visual and electrical } see brochure no. 7.050../..

Type code

1 model with one-piece filter bowl (up to size 660)

2 model with two-piece filter bowl (size 660 and above)

Modification number

X the latest version is always supplied

Supplementary details

B. bypass cracking pressure (e.g. B6 = 6 bar);

L... light with appropriate voltage (24, 48, 110, 220 Volt)

LED 2 light emitting diodes up to 24 Volt

SO184 pressure release/oil drain screw (only 60-240)

V FPM seals

W suitable for HFA and HFC emulsions

] only for clogging indicators
] type "D"**2.2 REPLACEMENT ELEMENT****0240 D 010 ON /-V****Size**

0030, 0060, 0110, 0140, 0160, 0240, 0280, 0330, 0500, 0660, 0990, 1320

Type

D

Filtration rating in µm

ON 001, 003, 005, 010, 015, 020

BH4HC, V: 003, 005, 010, 020

W/HC: 025, 050, 100, 200

Filter material

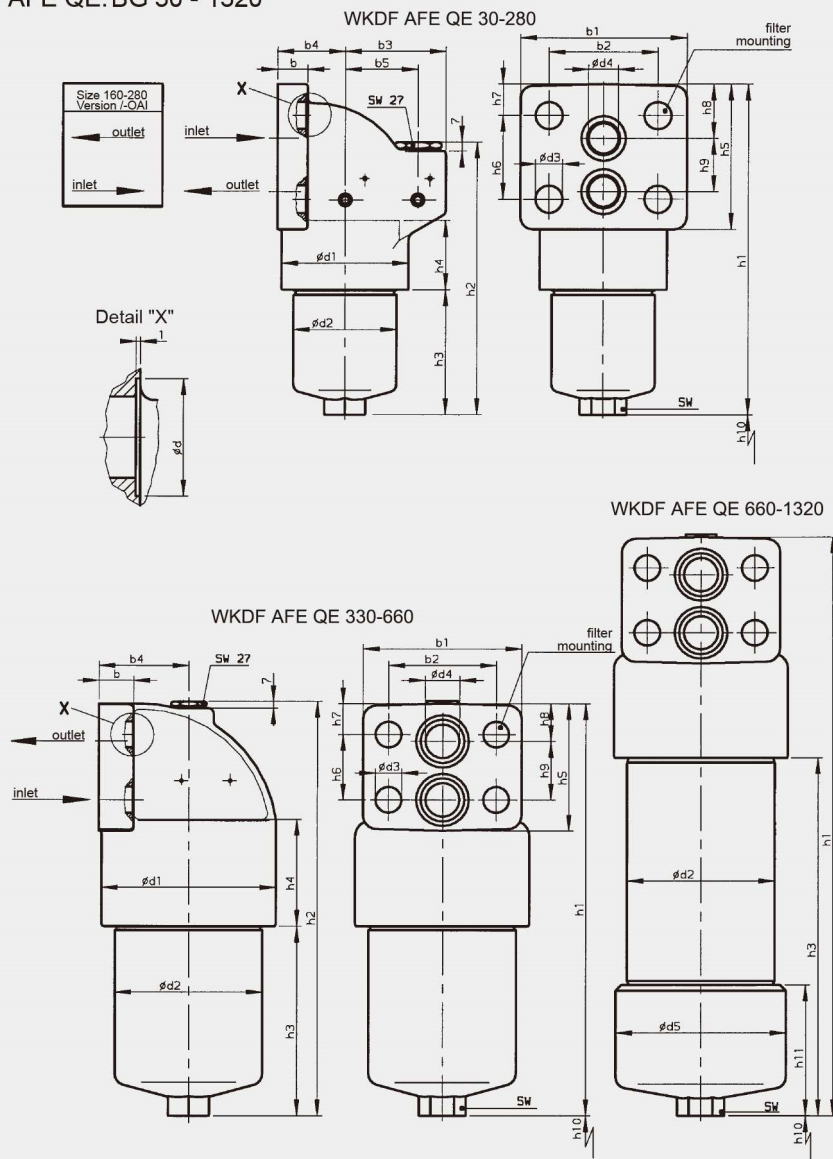
ON, BH4HC, V, W/HC

Supplementary details

V, W (for descriptions, see point 2.1)

3. DIMENSIONS

WKDF AFE QE: BG 30 - 1320



WKDF AFE QE	Weight incl. element [kg]	Vol. of pressure chamber [l]
30	2.9	0.13
60	5.2	0.20
110	6.1	0.33
140	6.7	0.40
160 ³⁾	12.3	0.60
240 ³⁾	13.7	0.80
280 ³⁾	18.1	1.60
330	22.9	1.50
500	27.3	2.30
660	30.9	3.00
660 ²⁾	34.1	3.00
990 ²⁾	42.1	4.20
1320 ²⁾	50.3	5.60

AFE QE	b	b1	b2	b3	b4	b5	d	d1	d2	d3	d4	d5	h1	h2	h3	h4	h5	h6	h7	h8	h9	h10	h11	SW	O-ring ¹⁾
30	18	80	57	56	37	38	20	67	52	13	14	-	197	176	78	48	76	45	15.5	30.5	28	75	-	24	18 x 2.5
60	20	110	72	66	45	48	26	84	68	18	20	-	217	181	83	45.5	94	55	19.5	34.5	35	75	-	27	24 x 3
110	20	110	72	66	45	48	26	84	68	18	20	-	284	248	150	45.5	94	55	19.5	34.5	35	75	-	27	24 x 3
140	20	110	72	66	45	48	26	84	68	18	20	-	328	292	194	45.5	94	55	19.5	34.5	35	75	-	27	24 x 3
160 ³⁾	30	140	95	89	59	79	32	116	95	22	32	-	280	222	117	61	110	60	25	31	52	85	-	32	40 x 3.5
240 ³⁾	30	140	95	89	56	79	32	116	95	22	32	-	340	282	177	61	110	60	25	31	52	85	-	32	40 x 3.5
280 ³⁾	30	140	95	89	59	79	32	116	95	22	32	-	522	464	359	61	110	60	25	31	52	85	-	32	40 x 3.5
330	30	140	95	-	79.5	-	32	154	130	23	30	-	353	357	157	94	110	58	26	32	52	115	-	36	40 x 3.5
500	30	140	95	-	79.5	-	32	154	130	23	30	-	446	450	250	94	110	58	26	32	52	115	-	36	40 x 3.5
660	30	140	95	-	79.5	-	32	154	130	23	30	-	523	527	329	94	110	58	26	32	52	115	-	36	40 x 3.5
660 ²⁾	30	140	95	-	79.5	-	32	154	132	23	30	152	517	521	321	94	110	58	26	32	52	350	112	36	40 x 3.5
990 ²⁾	30	140	95	-	79.5	-	32	154	132	23	30	152	673	677	477	94	110	58	26	32	52	500	112	36	40 x 3.5
1320 ²⁾	30	140	95	-	79.5	-	32	154	132	23	30	152	839	843	643	94	110	58	26	32	52	670	112	36	40 x 3.5

NOTE

The information in this brochure relates to the operating conditions and applications described.
 For applications or operating conditions not described, please contact the relevant technical department.
 Subject to technical modifications.

ООО "Алькор Плюс"
 +7 (982) 608-02-00 (+ WhatsApp)
 sales@hydrootvet.ru
 www.hydrootvet.ru