

MODEL : AMS-221 SUBCLASSES

List No : 1130-00

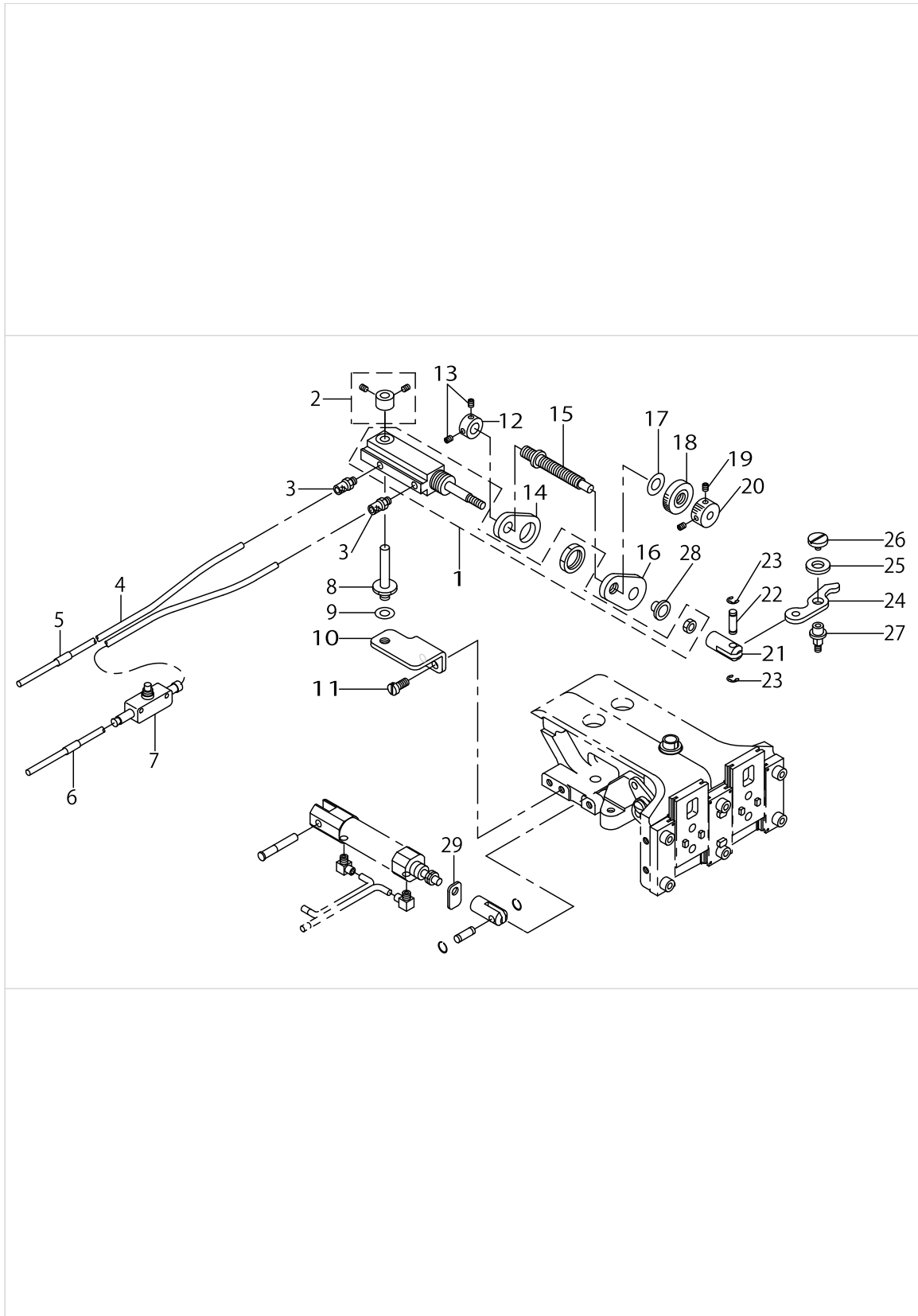
PARTS LIST

Published:05/12/2017

CONTENTS

CLOTH FEED MECHANISM COMPONENTS.....	1
PNEUMATIC COMPONENTS	3
CLOTH FEED MECHANISM COMPONENTS.....	5
PNEUMATIC COMPONENTS	7
ACCESSORIES PARTS COMPONENTS	9
CLOTH FEED MECHANISM COMPONENTS.....	11
PNEUMATIC COMPONENTS	15
NEEDLE BAR,PRESSER MECHANISM & ACCESSORIES PARTS COMPONENTS.....	17
HOW TO MAKE USE OF THIS PARTS LIST	19

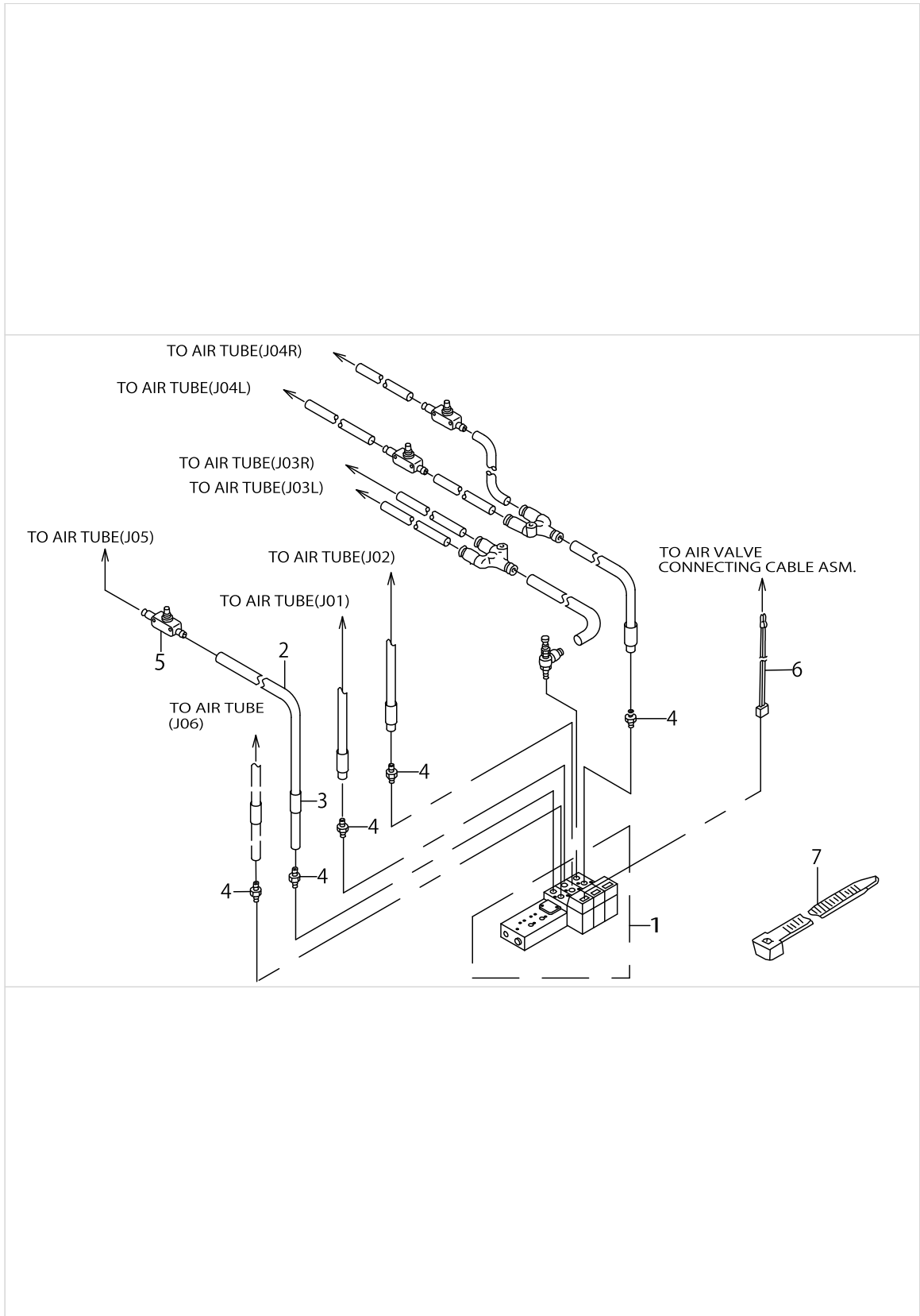
CLOTH FEED MECHANISM COMPONENTS



CLOTH FEED MECHANISM COMPONENTS

No.	Supply Code	Parts No.	Replacement	Parts name	Remarks	Choice	Step	Level	Cons	Qty	Rep. QTY
1		PA1602006A0		AIR CYLINDER						1	
2		B25792290A0		THRUST BEARING						1	
3		PJ032052503		HOSE NIPPLE						2	
4		BT0400251EB		URETHANE HOSE, BLACK						2.5	
5		B471122000E		AIR TUBE LABEL J05						1	
6		B471122000F		AIR TUBE LABEL J06						1	
7		PC012401000		SPEED CONTROLLER						1	
8		B2528215000		SHAFT						1	
9		WP0650876SD		WASHER 6.5X13X0.8						1	
10		B2514221000		INSTALLING PLATE						1	
11		SS6121010SP		SCREW 3/16-28 L=10						2	
12	R	CS0790731SH	CS079073ASH	THRUST COLLAR						1	1.00
13		SS8110422TP		SCREW 11/64-40 L=4						2	
14		B2518215000		BRACKET						1	
15		B2527215000		REGULATION SCREW						1	
16	D	B2518221000		REGULATION PLATE						1	
17		WP0820816SD		WASHER 8.2X16X0.8						1	
18		B3012816000		NUT						1	
19		SS8110422TP		SCREW 11/64-40 L=4						2	
20		B2304205000		KNOB						1	
21		B1625220000		CYLINDER KNUCKLE						1	
22		B1626220000		CYLINDER PIN						1	
23		RE0300000K0		E-RING 3						2	
24		B2516215000		LEVER						1	
25	R	B185351200EA	B185351200E	SPACER						1	1.00
26		SS6110520TP		SCREW 11/64-40 L=4.5						1	
27		B3012490000		DRIVING LINK SHAFT						1	
28		B2548215000		BUSHING						1	
29		B2530215000		PRESSER PLATE						1	

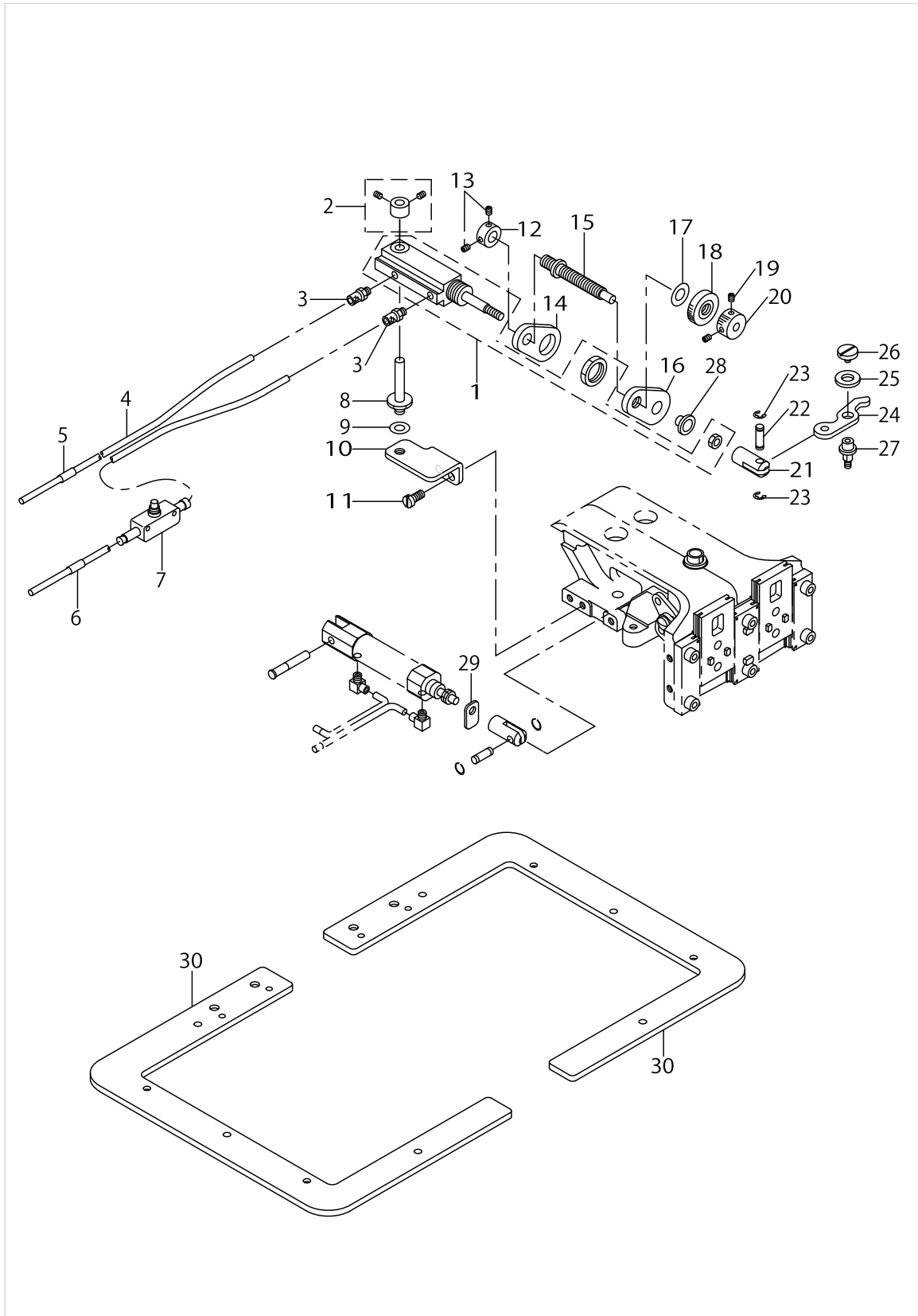
PNEUMATIC COMPONENTS



PNEUMATIC COMPONENTS

No.	Supply Code	Parts No.	Replacement	Parts name	Remarks	Choice	Step	Level	Cons	Qty	Rep. QTY
1		PV0351240B0		SOLENOID VALVE ASM.						1	
2		BT0400251EB		URETHANE HOSE, BLACK						1.5	
3		B471122000E		AIR TUBE LABEL J05						1	
4		PJ032052503		HOSE NIPPLE						5	
5		PC012401000		SPEED CONTROLLER						1	
6		B47122150A0		SOLENOID VALVE CONNECTOR ASM.						1	
7		HX002330000		CLIP						8	

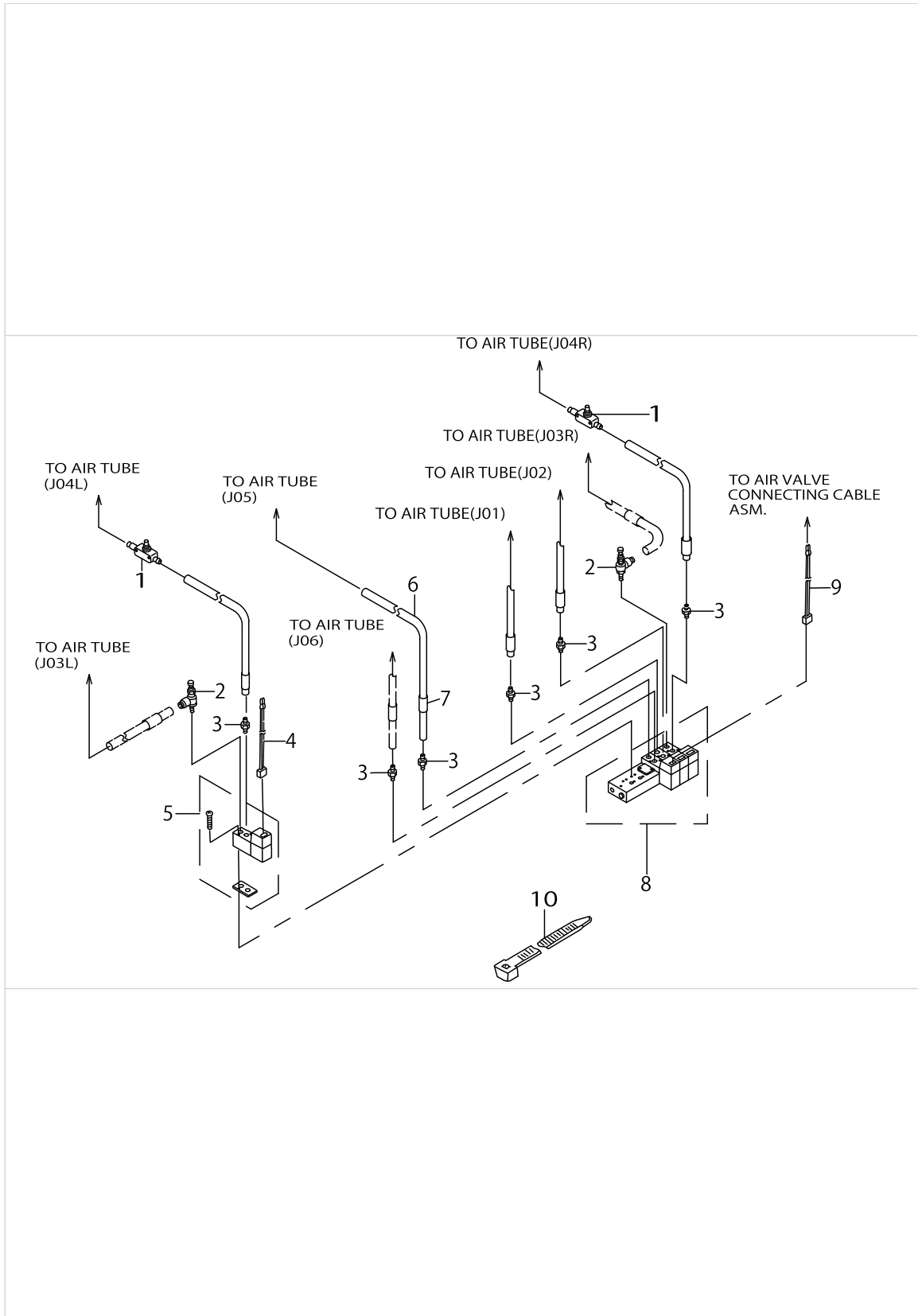
CLOTH FEED MECHANISM COMPONENTS



CLOTH FEED MECHANISM COMPONENTS

No.	Supply Code	Parts No.	Replacement	Parts name	Remarks	Choice	Step	Level	Cons	Qty	Rep. QTY
1		PA1602006A0		AIR CYLINDER						1	
2		B25792290A0		THRUST BEARING						1	
3		PJ032052503		HOSE NIPPLE						2	
4		BT0400251EB		URETHANE HOSE, BLACK						2.5	
5		B471122000E		AIR TUBE LABEL J05						1	
6		B471122000F		AIR TUBE LABEL J06						1	
7		PC012401000		SPEED CONTROLLER						1	
8		B2528215000		SHAFT						1	
9		WP0650876SD		WASHER 6.5X13X0.8						1	
10		B2514221000		INSTALLING PLATE						1	
11		SS6121010SP		SCREW 3/16-28 L=10						2	
12	R	CS0790731SH	CS079073ASH	THRUST COLLAR						1	1.00
13		SS8110422TP		SCREW 11/64-40 L=4						2	
14		B2518215000		BRACKET						1	
15		B2527215000		REGULATION SCREW						1	
16	D	B2518221000		REGULATION PLATE						1	
17		WP0820816SD		WASHER 8.2X16X0.8						1	
18		B3012816000		NUT						1	
19		SS8110422TP		SCREW 11/64-40 L=4						2	
20		B2304205000		KNOB						1	
21		B1625220000		CYLINDER KNUCKLE						1	
22		B1626220000		CYLINDER PIN						1	
23		RE0300000K0		E-RING 3						2	
24		B2516215000		LEVER						1	
25	R	B185351200EA	B185351200E	SPACER						1	1.00
26		SS6110520TP		SCREW 11/64-40 L=4.5						1	
27		B3012490000		DRIVING LINK SHAFT						1	
28		B2548215000		BUSHING						1	
29		B2530215000		PRESSER PLATE						1	
30		B2606221000		FRAME						2	

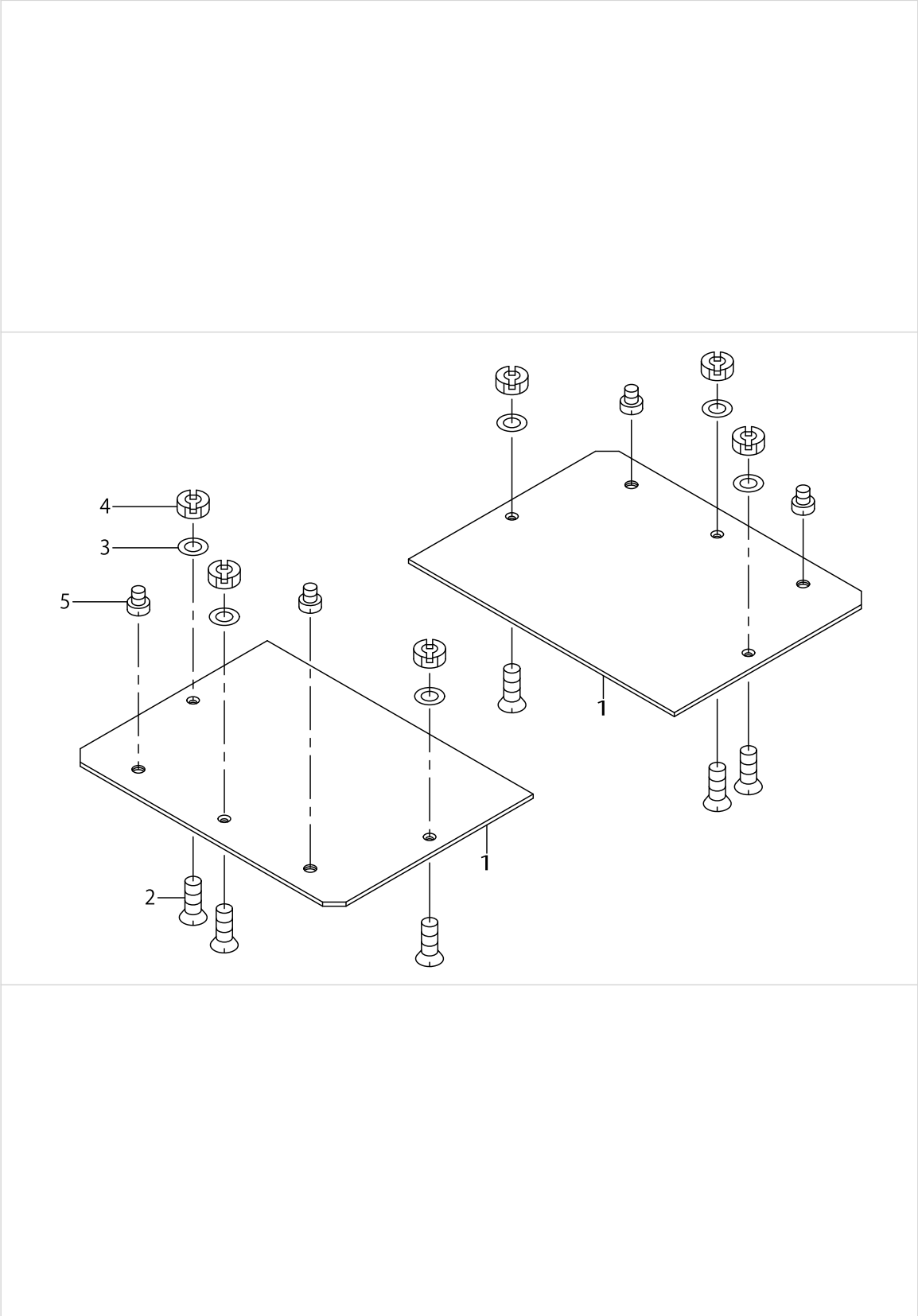
PNEUMATIC COMPONENTS



PNEUMATIC COMPONENTS

No.	Supply Code	Parts No.	Replacement	Parts name	Remarks	Choice	Step	Level	Cons	Qty	Rep. QTY
1		PC012401000		SPEED CONTROLLER						2	
2		PF070501000		PRESSURE DECREASING VALVE						2	
3		PJ032052503		HOSE NIPPLE						6	
4		B4712215AA0		SOLENOID VALVE CONNECTOR ASM.A						1	
5		PV140501000		SOLENOID VALVE						1	
6		BT0400251EB		URETHANE HOSE, BLACK						1.5	
7		B471122000E		AIR TUBE LABEL J05						1	
8		PV0351240B0		SOLENOID VALVE ASM.						1	
9		B47122150A0		SOLENOID VALVE CONNECTOR ASM.						1	
10		HX002330000		CLIP						8	

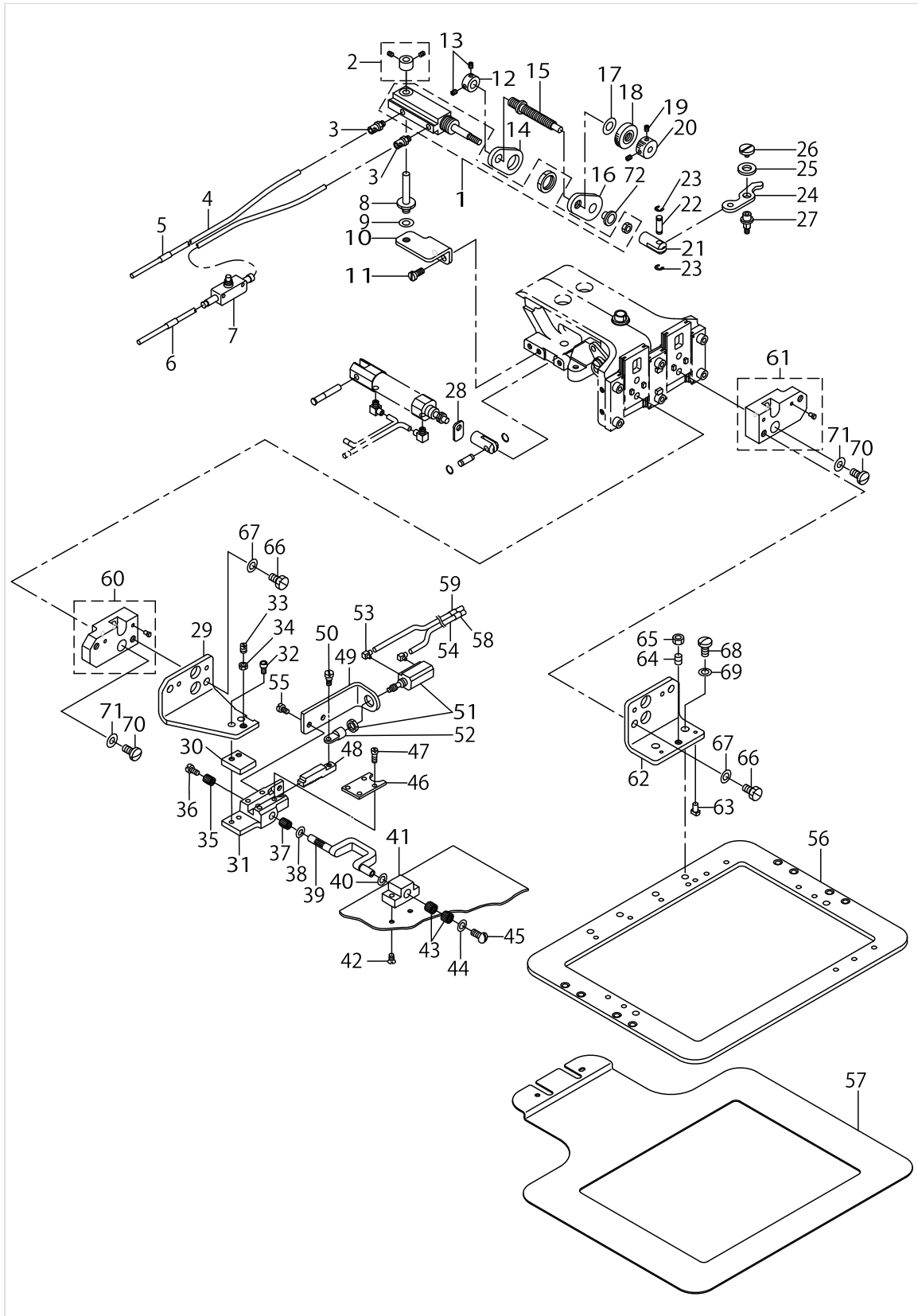
ACCESSORIES PARTS COMPONENTS



ACCESSORIES PARTS COMPONENTS

No.	Supply Code	Parts No.	Replacement	Parts name	Remarks	Choice	Step	Level	Cons	Qty	Rep. QTY
1		B2618221000		PLASTIC BLANK						4	
2		SS2111010TP		SCREW 11/64-40 L=9.5						6	
3		WP0450000SD		WASHER 4.5X8X0.5						6	
4		B1626850000		ADJUSTING NUT						6	
5		SS7090410SP		SCREW 9/64-40 L=3.5						4	

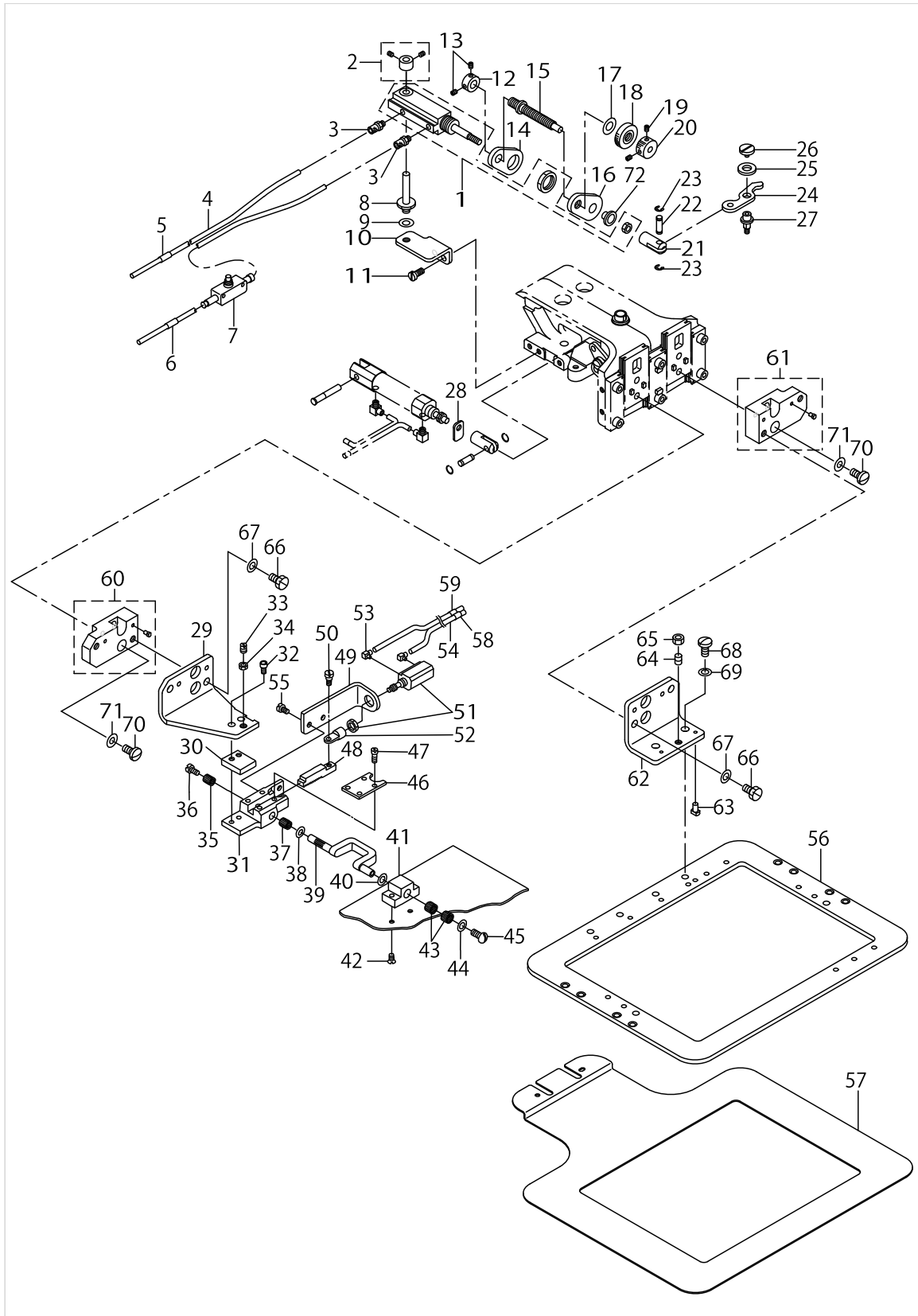
CLOTH FEED MECHANISM COMPONENTS



CLOTH FEED MECHANISM COMPONENTS

No.	Supply Code	Parts No.	Replacement	Parts name	Remarks	Choice	Step	Level	Cons	Qty	Rep. QTY
1		PA1602006A0		AIR CYLINDER						1	
2		B25792290A0		THRUST BEARING						1	
3		PJ032052503		HOSE NIPPLE						2	
4		BT0400251EB		URETHANE HOSE, BLACK						2.5	
5		B471122000E		AIR TUBE LABEL J05						1	
6		B471122000F		AIR TUBE LABEL J06						1	
7		PC012401000		SPEED CONTROLLER						1	
8		B2528215000		SHAFT						1	
9		WP0650876SD		WASHER 6.5X13X0.8						1	
10		B2514221000		INSTALLING PLATE						1	
11		SS6121010SP		SCREW 3/16-28 L=10						2	
12	R	CS0790731SH	CS079073ASH	THRUST COLLAR						1	1.00
13		SS8110422TP		SCREW 11/64-40 L=4						2	
14		B2518215000		BRACKET						1	
15		B2527215000		REGULATION SCREW						1	
16	D	B2518221000		REGULATION PLATE						1	
17		WP0820816SD		WASHER 8.2X16X0.8						1	
18		B3012816000		NUT						1	
19		SS8110422TP		SCREW 11/64-40 L=4						2	
20		B2304205000		KNOB						1	
21		B1625220000		CYLINDER KNUCKLE						1	
22		B1626220000		CYLINDER PIN						1	
23		RE0300000K0		E-RING 3						2	
24		B2516215000		LEVER						1	
25	R	B185351200EA	B185351200E	SPACER						1	1.00
26		SS6110520TP		SCREW 11/64-40 L=4.5						1	
27		B3012490000		DRIVING LINK SHAFT						1	
28		B2530215000		PRESSER PLATE						1	
29	D	B4301221000		INNER PRESSER FOOT						1	
30		B4303220000		SPACER						1	
31		B4302220000		BEARING						1	
32		SS6151412TP		SCREW 15/64-28 L=14						2	
33		SS8150912TH		SCREW 15/64-28 L=9						1	
34		NS6150310SP		NUT 15/64-28						1	
35		SB307000100		NEEDLE BEARING						1	
36		SS6110640SP		SCREW 11/64-40 L=6						1	
37		SB307000200		BEARING						1	
38		B4328220000		WASHER						1	
39		B4309220000		CRANK SHAFT						1	
40		B4328220000		WASHER						1	
41		B4320220000		SUPPORT BASE						1	
42		SS1121010SP		SCREW						2	
43		SB307000100		NEEDLE BEARING						2	
44		B322877100B		BOBBIN WINDER SPACER						1	
45		SS5110710SP		SCREW 11/64-40 L=7						1	
46		B4304220000		SUPPORT RACK						1	

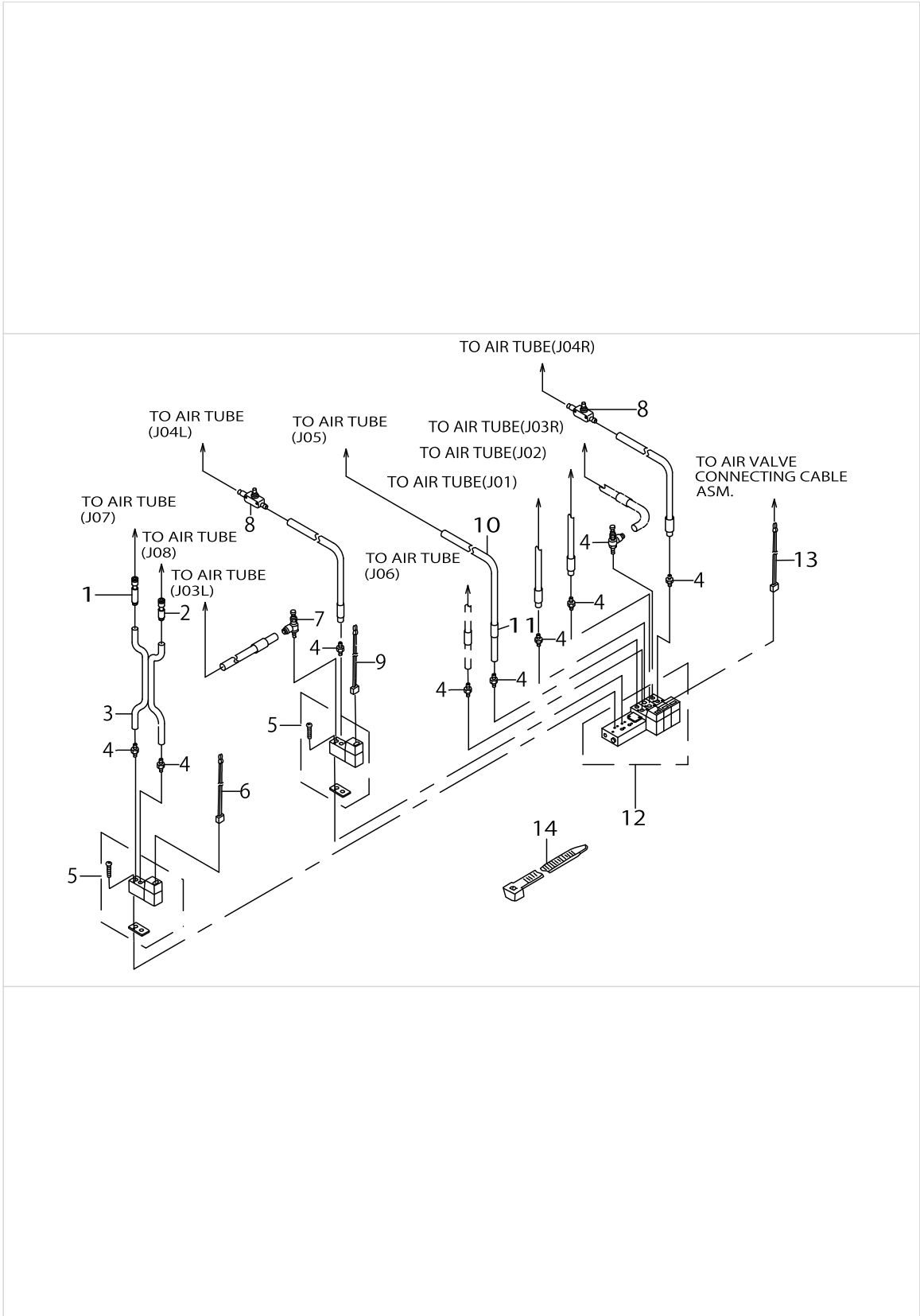
CLOTH FEED MECHANISM COMPONENTS



CLOTH FEED MECHANISM COMPONENTS

No.	Supply Code	Parts No.	Replacement	Parts name	Remarks	Choice	Step	Level	Cons	Qty	Rep. QTY
47		SS7090910TP		SCREW 9/64-40 L= 8.5						4	
48		B4305220000		TURN RACK						1	
49		B4307220000		BRACKET						1	
50		SD0460703TP		HINGE SCREW D=4.6 H=7						1	
51		B4327220000		CYLINDER						1	
52		B4306220000		KNUCKLE						1	
53		PJ046052503		HOSE ELBOW						2	
54		BT0400251EB		URETHANE HOSE, BLACK						1.5	
55		SS7150940SP		SCREW 15/64-28 L=9						2	
56		B2553215A00		FRAME						1	
57	D	B2556221A00		LOWER PLATE						1	
58		B471122000I		AIR TUBE LABEL J07						1	
59		B471122000J		AIR TUBE LABEL J08						1	
60		B26032210A0		RECEIVER PLATE BASE ASM.,LEFT						1	
61		B26022210A0		RECEIVER PLATE B-ASE ASM.,RIGHT						1	
62	R	B2604221000	B26042210A0	RECEIVER PLATE,RIGHT						1	1.00
63		B1816280000		GUIDE PIN						2	
64		SS8150822TP		SCREW 15/64-28 L=8						1	
65		NS6150330SD		NUT 15/64-28						1	
66		SS9151120CP		SCREW 15/64-28 L=11						4	
67		WP0651056SD		WASHER 6.5X11X1						4	
68		SS7150910TP		SCREW 15/64-28 L=9						2	
69		WP0651056SD		WASHER 6.5X11X1						2	
70		SS7151210SP		SCREW 15/64-28 L=12						4	
71		WP0621026SP		WASHER 6.2X9.5X1						4	
72		B2548215000		BUSHING						1	

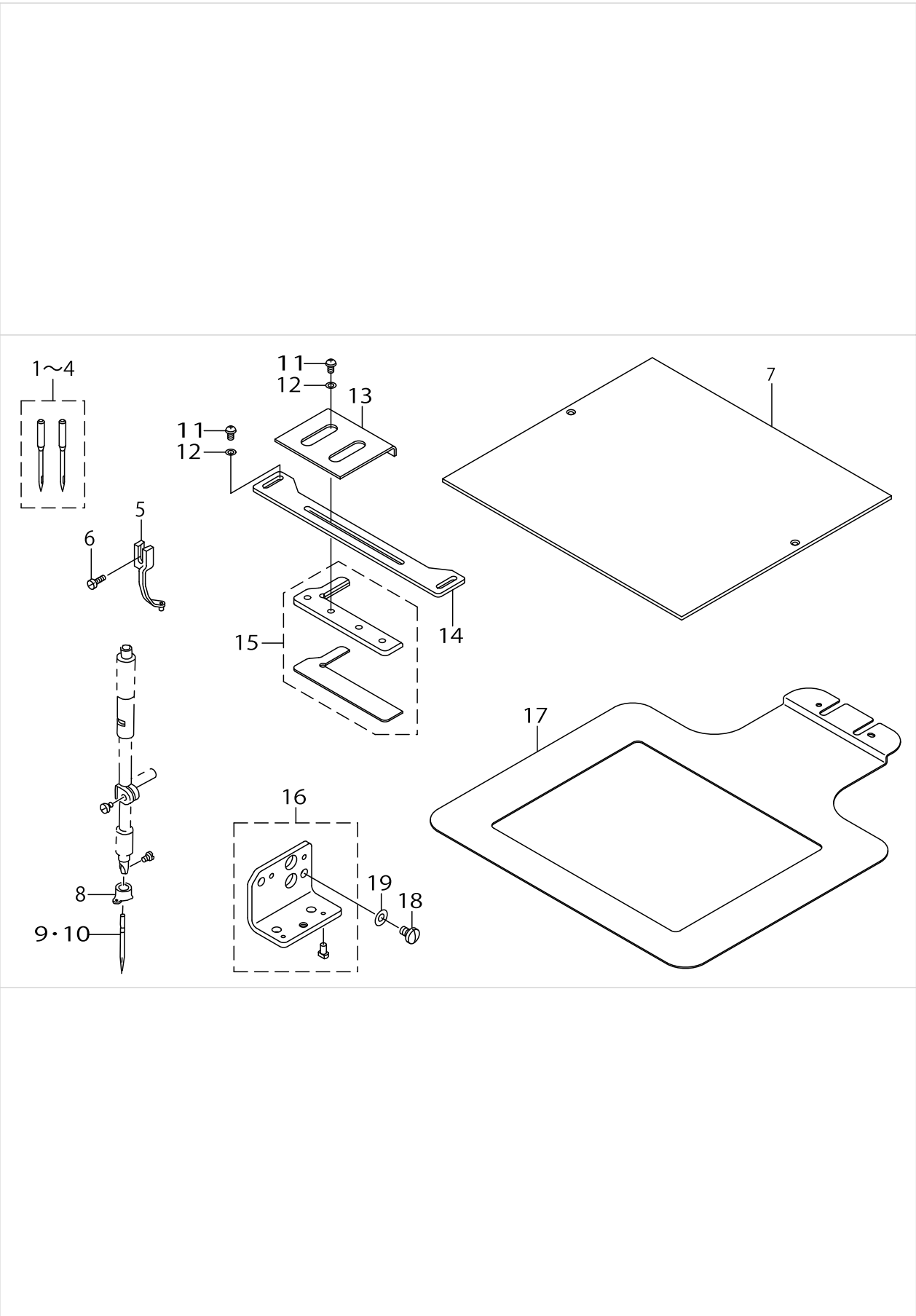
PNEUMATIC COMPONENTS



PNEUMATIC COMPONENTS

No.	Supply Code	Parts No.	Replacement	Parts name	Remarks	Choice	Step	Level	Cons	Qty	Rep. QTY
1		PJ303040004		QUICK COUPLING						1	
2		PJ303040002		STRAIGHT UNION						1	
3		BT0400251EB		URETHANE HOSE, BLACK						1.5	
4		PJ032052503		HOSE NIPPLE						8	
5		PV140501000		SOLENOID VALVE						2	
6		B4712215BA0		SOLENOID VALVE CONNECTOR ASM.B						1	
7		PF070501000		PRESSURE DECREASING VALVE						2	
8		PC012401000		SPEED CONTROLLER						2	
9		B4712215AA0		SOLENOID VALVE CONNECTOR ASM.A						1	
10		BT0400251EB		URETHANE HOSE, BLACK						.7	
11		B471122000E		AIR TUBE LABEL J05						1	
12		PV0351240B0		SOLENOID VALVE ASM.						1	
13		B47122150A0		SOLENOID VALVE CONNECTOR ASM.						1	
14		HX002330000		CLIP						8	

NEEDLE BAR,PRESSER MECHANISM & ACCESSORIES PARTS COMPONENTS



NEEDLE BAR,PRESSER MECHANISM & ACCESSORIES PARTS COMPONENTS

No.	Supply Code	Parts No.	Replacement	Parts name	Remarks	Choice	Step	Level	Cons	Qty	Rep. QTY
1	R	MDP170B1402	MDP170B1400	NEEDLE DPX17#14-2	FOR AMS-- 221CST-5-- 000(EXCEPT JE)					1	1.00
2	R	MDP170B1802	MDP170B1800	NEEDLE DPZ17#18-2	FOR AMS-- 221CST-5-- 000(EXCEPT JE)					1	1.00
3		MC372000902		NEEDLE SY3355#90-2	FOR AMS-- 221CST-5-- 000(FOR JE)					1	
4		MC372001102		NEEDLE SY3355 #110-2	FOR AMS-- 221CST-5-- 000(FOR JE)					1	
5		B160122000H		INNER PRESSER, H						1	
6	R	SS7091110SP	SS7091110TP	SCREW 9/64-40 L=10.5						1	1.00
7		B2557215A00		PLASTICS BLANK						2	
8	R	B1406210000	40026884	THREAD GUIDE						1	1.00
9	D	MC372000900		NEEDLE 135X17 #90	FOR AMS-- 221CST-5-- 000(FOR JE)					1	
10		MDP170B1400		NEEDLE DPX17 #14	FOR AMS-- 221CST-5-- 000(EXCEPT JE)					1	
11		SS4110715SP		SCREW 11/64-40 L=7						6	
12		WP0450000SD		WASHER 4.5X8X0.5						6	
13		B4312220000		LABEL GUIDE C						1	
14	D	B4310215000		LABEL GUIDE A						1	
15		B43112200A0		LABEL GUIDE B ASM.						1	
16	D	B26052210A0		RECEIVER PLATE,LEFT ASM.						1	
17		B2556221000		LOWER PLATE						1	
18		SS7150910TP		SCREW 15/64-28 L=9						2	
19		WP0651056SD		WASHER 6.5X11X1						2	

HOW TO MAKE USE OF THIS PARTS LIST

1.As to "#01" and "#02" refer to the "Note" given at the bottom of the respective pages.

2.Codes on the "Qty" column

- Each numeral indicates the number of parts required.
- "0.1" and "2.5" indicate the length (in meters) of the respective parts.

3.Parentheses mean that the corresponding part is a subpart that constructs an assembly part.

4.Dotted lines on the Figures indicate assembly parts.

1. リストページの# 0 1、# 0 2の印は、ページ下の"注記"の説明を参照下さい。
2. 数量欄の数字は、個数を表し、0. 1、2. 5等の数値は、長さ（単位メートル）を表します。
3. 数量欄の（ ）は、組部品を構成している子部品であることを意味します。
4. イラストページの-----枠は、組構成であることを意味します。

NUMERICAL INDEX OF PARTS

PART NO	PAGE	REF NO.	PART NO	PAGE	REF NO.	PART NO	PAGE	REF NO.
B1406210000	18	8	B25792290A0	6	2	B4712215BA0	16	6
B160122000H	18	5	B25792290A0	12	2	BT0400251EB	2	4
B1625220000	2	21	B26022210A0	14	61	BT0400251EB	4	2
B1625220000	6	21	B26032210A0	14	60	BT0400251EB	6	4
B1625220000	12	21	B2604221000	14	62	BT0400251EB	8	6
B1626220000	2	22	B26052210A0	18	16	BT0400251EB	12	54
B1626220000	6	22	B2606221000	6	30	BT0400251EB	14	54
B1626220000	12	22	B2618221000	10	1	BT0400251EB	16	10
B1626850000	10	4	B3012490000	2	27	CS0790731SH	2	12
B1816280000	14	63	B3012490000	6	27	CS0790731SH	6	12
B185351200EA	2	25	B3012490000	12	27	CS0790731SH	12	12
B185351200EA	6	25	B3012816000	2	18	HX002330000	4	7
B185351200EA	12	25	B3012816000	6	18	HX002330000	8	10
B2304205000	2	20	B3012816000	12	18	HX002330000	16	14
B2304205000	6	20	B322877100B	12	44	MC372000900	18	9-10
B2304205000	12	20	B4301221000	12	29	MC372000902	18	1~4
B2514221000	2	10	B4302220000	12	31	MC372001102	18	1~4
B2514221000	6	10	B4303220000	12	30	MDP170B1400	18	9-10
B2514221000	12	10	B4304220000	12	46	MDP170B1402	18	1~4
B2516215000	2	24	B4305220000	14	48	MDP170B1802	18	1~4
B2516215000	6	24	B4306220000	14	52	NS6150310SP	12	34
B2516215000	12	24	B4307220000	14	49	NS6150330SD	14	65
B2518215000	2	14	B4309220000	12	39	PA1602006A0	2	1
B2518215000	6	14	B4310215000	18	14	PA1602006A0	6	1
B2518215000	12	14	B43112200A0	18	15	PA1602006A0	12	1
B2518221000	2	16	B4312220000	18	13	PC012401000	2	7
B2518221000	6	16	B4320220000	12	41	PC012401000	4	5
B2518221000	12	16	B4327220000	14	51	PC012401000	6	7
B2527215000	2	15	B4328220000	12	40	PC012401000	8	1
B2527215000	6	15	B471122000E	2	5	PC012401000	12	7
B2527215000	12	15	B471122000E	4	3	PC012401000	16	8
B2528215000	2	8	B471122000E	6	5	PF070501000	8	2
B2528215000	6	8	B471122000E	8	7	PF070501000	16	7
B2528215000	12	8	B471122000E	12	5	PJ032052503	2	3
B2530215000	2	29	B471122000E	16	11	PJ032052503	4	4
B2530215000	6	29	B471122000F	2	6	PJ032052503	6	3
B2530215000	12	28	B471122000F	6	6	PJ032052503	8	3
B2548215000	2	28	B471122000F	12	6	PJ032052503	12	3
B2548215000	6	28	B471122000I	14	58	PJ032052503	16	4
B2548215000	14	72	B471122000J	14	59	PJ046052503	14	53
B2553215A00	14	56	B47122150A0	4	6	PJ303040002	16	2
B2556221000	18	17	B47122150A0	8	9	PJ303040004	16	1
B2556221A00	14	57	B47122150A0	16	13	PV0351240B0	4	1
B2557215A00	18	7	B4712215AA0	8	4	PV0351240B0	8	8
B25792290A0	2	2	B4712215AA0	16	9	PV0351240B0	16	12

NUMERICAL INDEX OF PARTS

PART NO	PAGE	REF NO.
PV140501000	8	5
PV140501000	16	5
RE0300000K0	2	23
RE0300000K0	6	23
RE0300000K0	12	23
SB307000100	12	43
SB307000200	12	37
SD0460703TP	14	50
SS1121010SP	12	42
SS2111010TP	10	2
SS4110715SP	18	11
SS5110710SP	12	45
SS6110520TP	2	26
SS6110520TP	6	26
SS6110520TP	12	26
SS6110640SP	12	36
SS6121010SP	2	11
SS6121010SP	6	11
SS6121010SP	12	11
SS6151412TP	12	32
SS7090410SP	10	5
SS7090910TP	14	47
SS7091110SP	18	6
SS7150910TP	14	68
SS7150910TP	18	18
SS7150940SP	14	55
SS7151210SP	14	70
SS8110422TP	2	19
SS8110422TP	6	19
SS8110422TP	12	19
SS8150822TP	14	64
SS8150912TH	12	33
SS9151120CP	14	66
WP0450000SD	10	3
WP0450000SD	18	12
WP0621026SP	14	71
WP0650876SD	2	9
WP0650876SD	6	9
WP0650876SD	12	9
WP0651056SD	14	69
WP0651056SD	18	19
WP0820816SD	2	17
WP0820816SD	6	17
WP0820816SD	12	17