

MODEL : MOF-3900

List No : 1107-03

# PARTS LIST

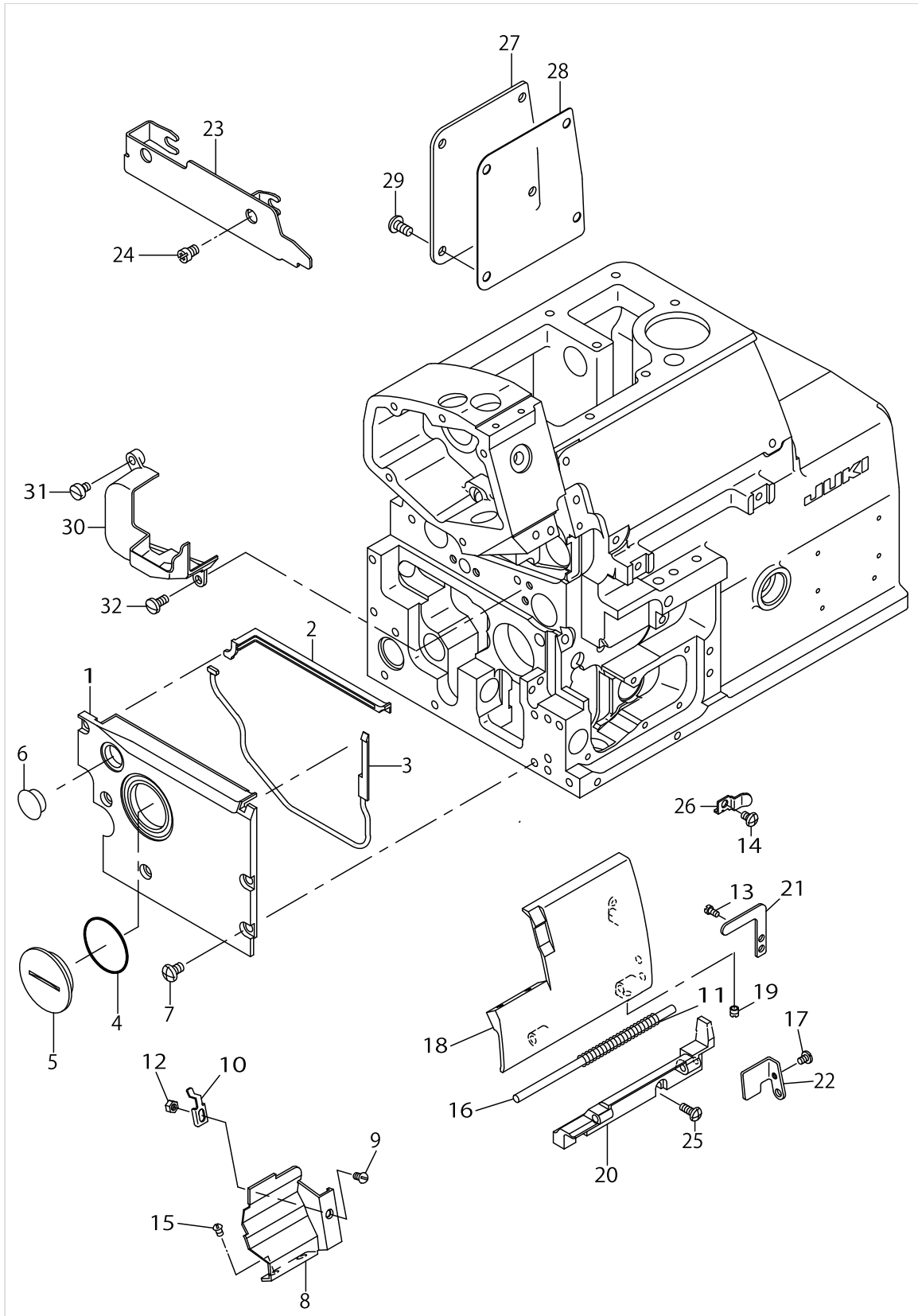
Published:05/12/2017

## CONTENTS

---

FRAME COMPONENTS(1).....	1
FRAME COMPONENTS(2).....	3
CRANKSHAFT COMPONENTS .....	7
NEEDLE DRIVING SHAFT COMPONENTS .....	11
FEED MECHANISM COMPONENTS(1) .....	15
FEED MECHANISM COMPONENTS(2) .....	17
UPPER FEED MECHANISM COMPONENTS(1).....	21
UPPER FEED MECHANISM COMPONENTS(2).....	25
UPPER & LOWER LOOPER COMPONENTS .....	29
PRESSER FOOT COMPONENTS(1) .....	33
PRESSER FOOT COMPONENTS(2) .....	35
THREAD TENSION COMPONENTS .....	37
LOWER KNIFE COMPONENTS.....	41
UPPER KNIFE COMPONENTS .....	43
NEEDLE COOLING MECHANISM COMPONENTS.....	45
LUBRICATION MECHANISM COMPONENTS.....	47
SEMI-SUNKEN TYPE TABLE COMPONENTS.....	51
STAND COMPONENTS(ZAET).....	53
THREAD STAND COMPONENTS(FOR MOF-3904,3904E,3914,3914E) .....	55
SPECIAL ORDER PARTS COMPONENTS.....	59
LIST FOR INFORMATION OF CHANGE.....	61
HOW TO MAKE USE OF THIS PARTS LIST .....	62

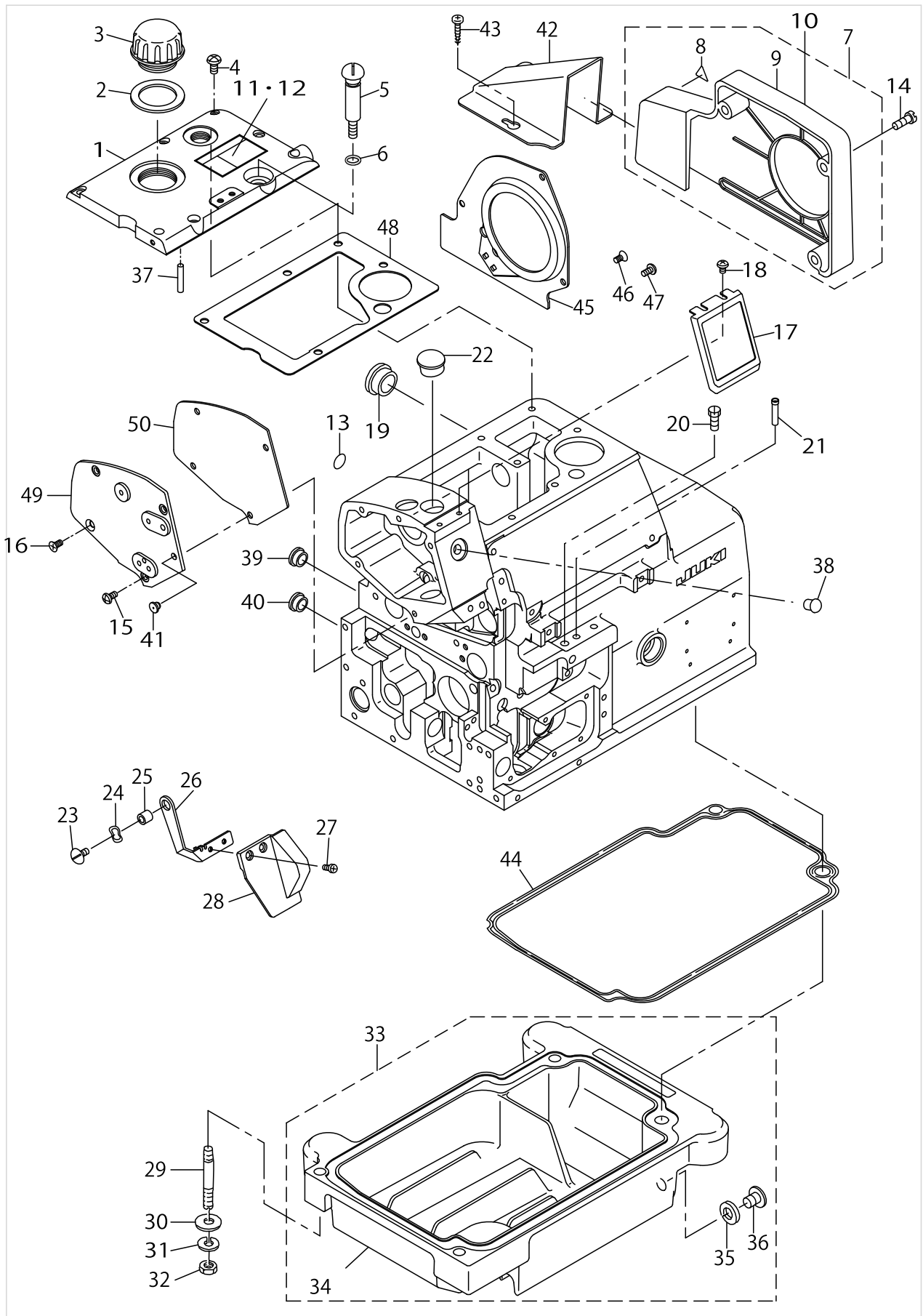
FRAME COMPONENTS(1)



FRAME COMPONENTS(1)

No.	Supply Code	Parts No.	Replacement	Parts name	Remarks	Choice	Step	Level	Cons	Qty	Rep. QTY
1	D	12200200		FEED MECHAISM COVER						1	
2		12200309		GASKET A						1	
3		12200408		GASKET B						1	
4		RO315200100		RUBBER RING						1	
5		12200507		COVER						1	
6		TA1450404R0		RUBBER PLUG D=14.5 L=4						1	
7		SM4050855SP		SCREW						5	
8		12229100		CHIP GUARD COVER						1	
9		SS2090520SL		SCREW 9/64-40 L=5						1	
10	R	12101515	13102405	GROTH WASTE COVER STOPPER						1	1.00
11	R	B1140716000	13101209	SPRING						1	1.00
12		NS6090310SN		NUT 9/64-40						1	
13		SS7090530SP		SCREW 9/64-40 L=4.5						1	
14		SM4040655SP		SCREW M4 L=6						1	
15		SS3090610SP		SCREW 9/64-40 L=6						2	
16	D	11803004		LOOPER COVER HINGE PIN						1	
17		SS7090610SP		SCREW 9/64-40 L=6						1	
18	R	12200903	31250806	LOOPER COVER						1	1.00
19		SS8110410TP		SCREW 11/64-40 L= 3.5						1	
20	R	12200804	31250707	LOOPER COVER BRACKET						1	1.00
21		12103206		LOOPER COVER PRESSER PLATE						1	
22	R	12101408	13101001	GUIDE PLATE						1	1.00
23	D	12290151		CROSS COVER ASM.						1	
24		SS4120615SP		SCREW 3/16-28 L=6						2	
25		SM4041055SP		SCREW						2	
26	R	12103404	13101308	LOOPER COVER PRESSER SPRING						1	1.00
27		12300109		REAR PLATE						1	
28		12300208		PLANE COVER PACKING						1	
29		SM4051055SP		SCREW						4	
30	R	12300505	31200504	UPPER FEED COVER						1	1.00
31		SS6110610TP		SCREW 11/64-40 L=6						1	
32	R	SS7110910SP	SS7110910TP	SCREW 11/64-40 L=8.5						1	1.00

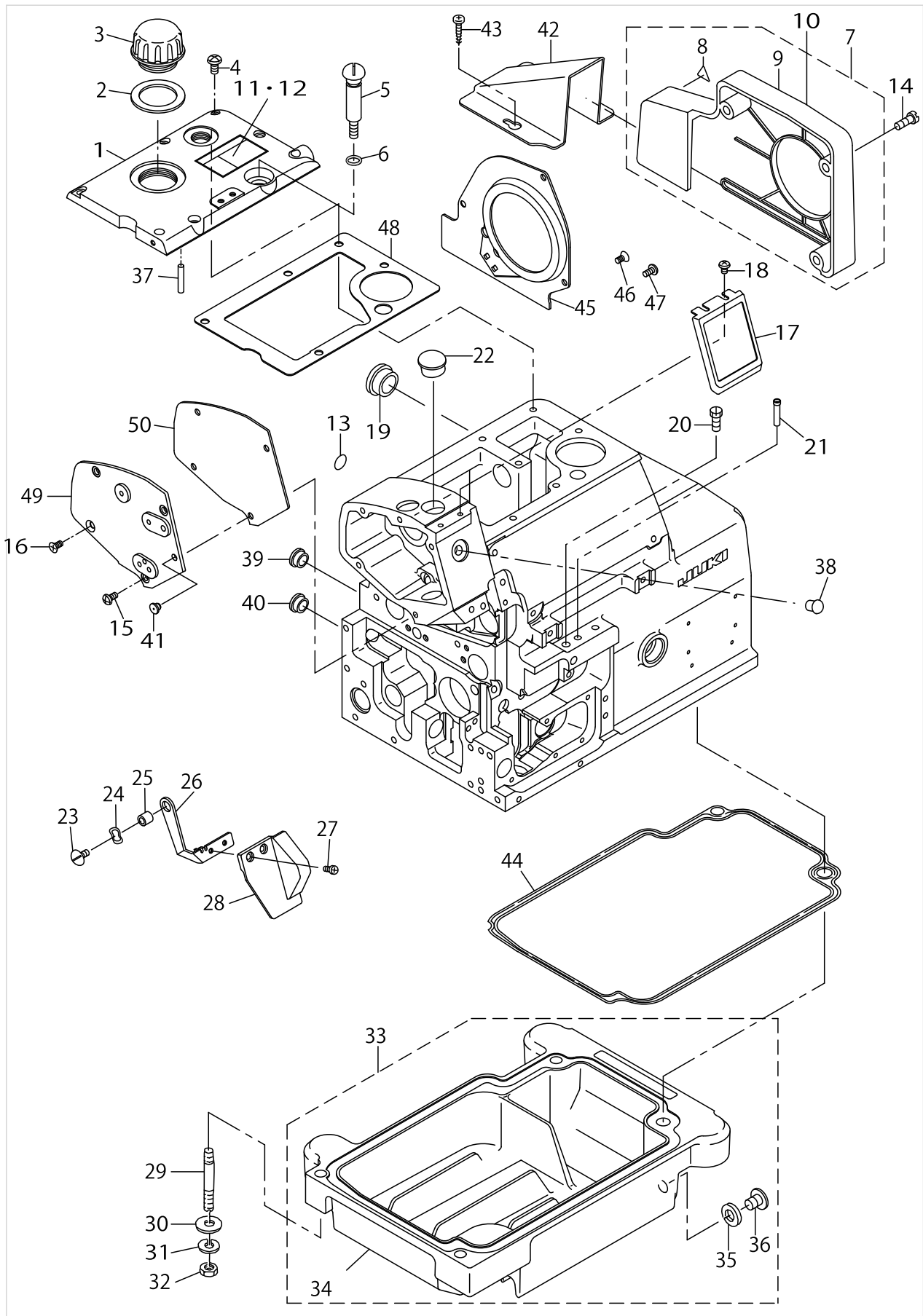
FRAME COMPONENTS(2)



FRAME COMPONENTS(2)

No.	Supply Code	Parts No.	Replacement	Parts name	Remarks	Choice	Step	Level	Cons	Qty	Rep. QTY
1	D	12100418		UPPER COVER						1	
2	R	12100707	11500808	GASKET						1	1.00
3	D	12100608		OIL CAP						1	
4		SM4051255SP		SCREW.,M5 L=12.						6	
5	D	12100806		OIL DRAIN SCREW						1	
6		RO078190100		RUBBER RING						1	
7	D	12101952		BELT COVER ASM.	FOR JAPAN					1	
8		CM3002000A1		CAUTION LABEL(16)	FOR JAPAN			*		1	
9	R	12101903	12101952	BELT COVER	FOR JAPAN			*		1	1.00
10	R	12101903	12101952	BELT COVER	FOR EXPORT					1	1.00
11		CM300200101		SAFETY LABEL, 1(SMALL).	FOR JAPAN					1	
12		CM3002001A1		SAFETY LABEL.,3 (SMALL).	FOR EXPO- RT(EXCEPT JE)					1	
13	R	10004109	22901805	GROUND MARK						1	1.00
14		SS4151215SP		SCREW15/64-28L=12						3	
15		SM4040855SP		SCREW						3	
16		SM1040801SC		SCREW M4X0.7 L=8						1	
17		12290359		BRAND LABEL ASM.						1	
18		SM4040601SC		SCREW M4X0.7 L=6						2	
19		TA2050805R0		RUBBER PLUG						1	
20		SS9151210TP		SCREW 15/64-28 L=11.8						1	
21	R	11805207	13102900	THREAD GUIDE, LARGE						2	1.00
22		TA1701107R0		RUBBER PLUG						1	
23		SS5110710SP		SCREW 11/64-40 L=7						1	
24		WZ0850302K0		WAVED WASHER 8.5X12.5X0.3						1	
25		B3013141H0A		WASHER						1	
26	R	12102000	12342002	SAFETY PLATE BRACKET						1	1.00
27		SS7090611SL		SCREW 9/64-40 L=6.1						2	
28		12104907		SAFETY PLATE						1	
29		11503703		SCREW STUD						4	
30		WP0751576SD		WASHER 7.5X19X1.5						4	
31		WS0822010KP		SPRING WASHER 8.2X15X2						4	
32		NS6680410SP		NUT 9/32-28						4	
33		12201166		OIL RESERVOIR ASM.						1	
34		12201117		OIL RESERVOIR				*		1	
35		RO074240100		RUBBER RING				*		1	
36		SM0081001SD		SCREW				*		1	
37		PS0300132KH		SPRING PIN 3X13						1	
38		TA1250406R0		RUBBER PLUG D=12.5 L=4						1	
39		TA0800504R0		PLUG D=8 L=4.5						1	
40		TA1470702R0		RUBBER PLUG						1	
41		12258000		BUSH						1	
42	D	12105201		BELT COVER	FOR JE					1	
43	R	SK3412000SC	SK3412000SE	WOOD SCREW D=4.1 L=20	FOR JE					2	1.00
44		12201208		OIL RESERVOIR GASKET						1	
45		12101804		COOLING FAN PLATE						1	
46		SM1040801SC		SCREW M4X0.7 L=8						1	

FRAME COMPONENTS(2)

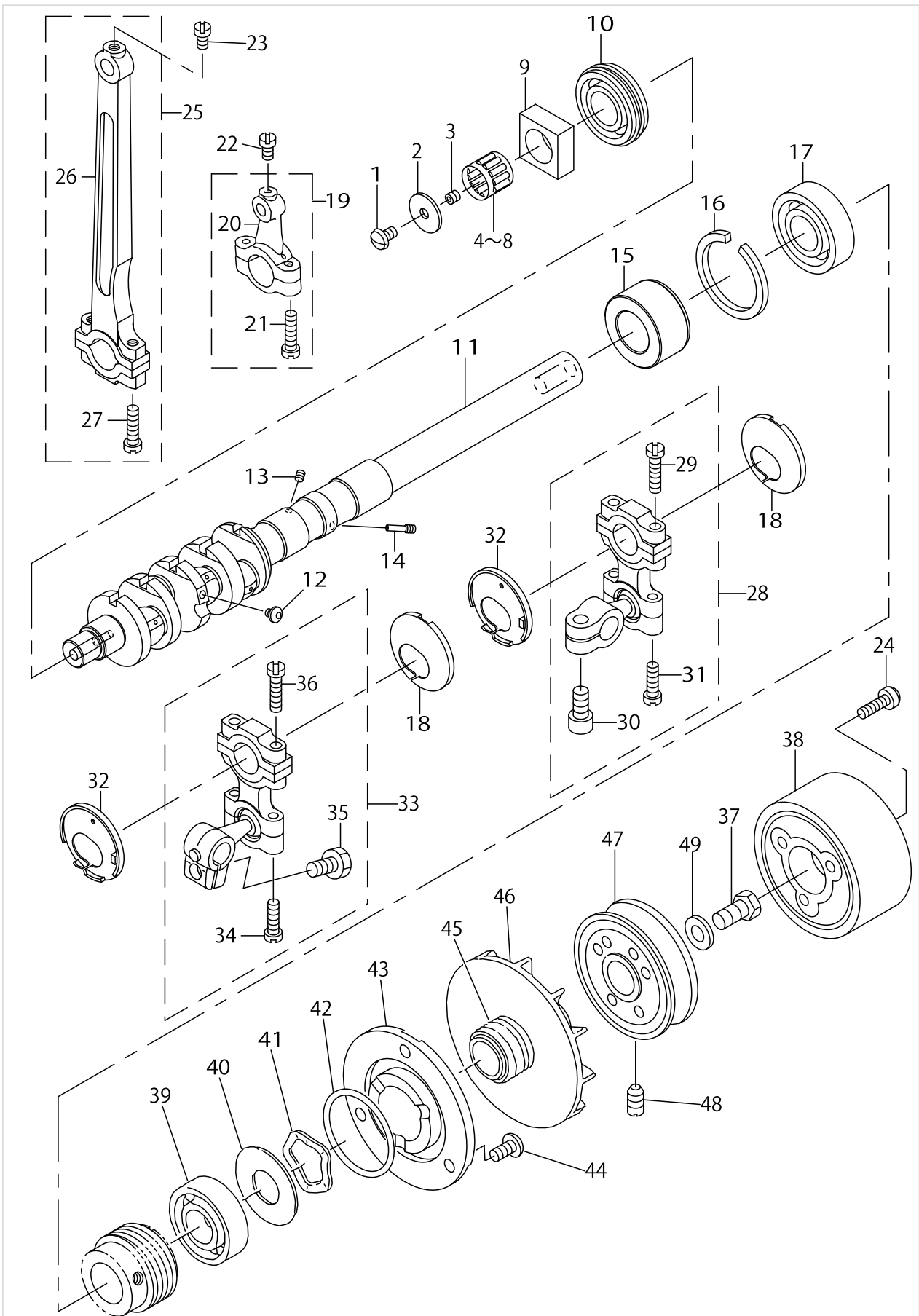


FRAME COMPONENTS(2)

No.	Supply Code	Parts No.	Replacement	Parts name	Remarks	Choice	Step	Level	Cons	Qty	Rep. QTY
47		SM4040855SP		SCREW						2	
48	D	12100517		UPPER COVER GASKET						1	
49	D	12250205		SIDE COVER						1	
50	D	12100301		SIDE COVER GASKET						1	



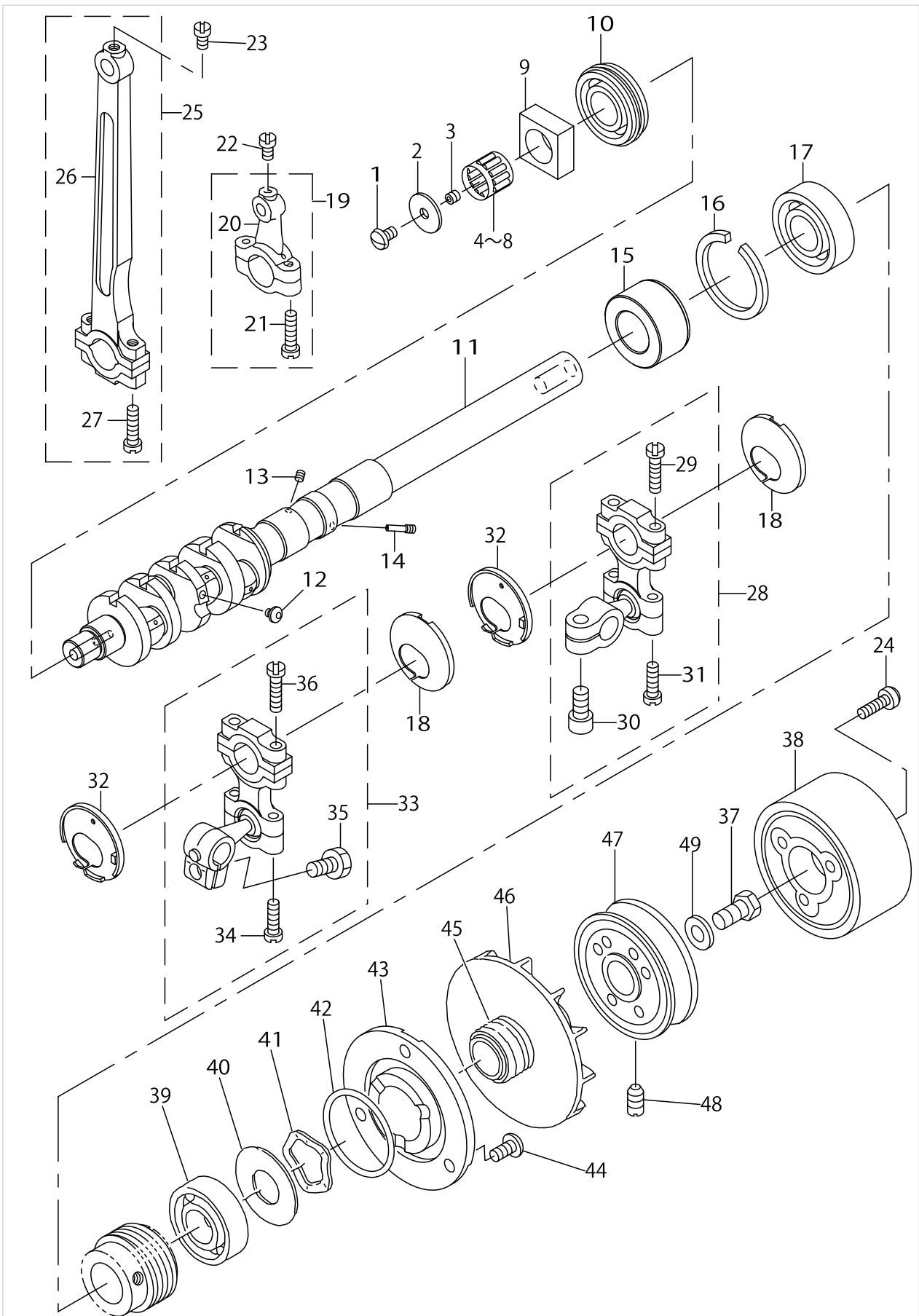
CRANKSHAFT COMPONENTS



CRANKSHAFT COMPONENTS

No.	Supply Code	Parts No.	Replacement	Parts name	Remarks	Choice	Step	Level	Cons	Qty	Rep. QTY
1		SS5110740TP		SCREW 11/64-40 L= 6.5						1	
2		12204004		THRUST HOLDER						1	
3		SS8110422TP		SCREW 11/64-40 L=4						1	
4		SB31200030A		BEARING	SELECTIVE PART					1	
5	D	SB31200030B		BEARING	SELECTIVE PART					1	
6		SB31200030C		BEARING	SELECTIVE PART					1	
7	D	SB31200030D		BEARING	SELECTIVE PART					1	
8		SB31200030E		BEARING	SELECTIVE PART					1	
9		12210100		SLIDE BLOCK						1	
10		12204202		BALL BEARING D						1	
11	D	12292009		CRANKSHAFT						1	
12		SS5080212TP		SCREW 1/8-44 L=2						5	
13		SS8080410TP		SCREW 1/8-44 L=3.5						1	
14	R	12204103	31251804	OIL ADJUSTING SCREW						1	1.00
15		12203907		CRANK SHAFT BUSHING C						1	
16		B1212704000		BEARING RETAINER						1	
17	R	B1211804000	13108600	BALL BEARING B	SELECTIVE PART					1	1.00
18		12124509		STOPPER (R)						2	
19	R	12132155	13232558	KNIFE DRIVING ROD ASM.						1	1.00
20	R	12132106	13232558	KNIFE DRIVING ROD				*		1	1.00
21		SS7111810TP		SCREW11/64-40L=18				*		2	
22		SS7110840SP		SCREW 11/64-40 L=7.8						1	
23		SS7110840SP		SCREW 11/64-40 L=7.8						1	
24	R	SS7111810SP	SS7111810TP	SCREW11/64-40L=18						3	1.00
25	R	12109153	13207550	CONNECTING ROD ASM.						1	1.00
26	R	12109104	13207550	CONNECTING ROD				*		1	1.00
27		SS7111810TP		SCREW11/64-40L=18				*		2	
28		12122362		UPPER LOOPER ROD ASM.						1	
29		SS7111810TP		SCREW11/64-40L=18				*		2	
30		SM6061202TP		SCREW M6 L=12				*		1	
31		SS7111410TP		SCREW11/64-40L=14				*		2	
32		12124400		STOPPER (L)						2	
33		12215158		LOWER LOOPER ROD ASM., A						1	
34		SS7111410TP		SCREW11/64-40L=14				*		2	
35		SS9151210TP		SCREW 15/64-28 L=11.8				*		1	
36		SS7111810TP		SCREW11/64-40L=18				*		2	
37		SS9681610TP		SCREW 9/32-28 L=16						1	
38	R	12203816	31251507	FLYWHEEL C						1	1.00
39	R	B1211804000	13108600	BALL BEARING B	SELECTIVE PART					1	1.00
40	R	11510609	13108303	WASHER						1	1.00
41		WZ2640310KH		WAVED WASHER 26.4X33.9X3.5						1	
42		RO347350100		RUBBER RING						1	
43	R	12107702	13107800	THRUST HOLDER						1	1.00
44		SM4050855SP		SCREW						3	
45	R	12280103	13108501	OIL SHIELD						1	1.00
46	R	11811619	13108402	COOLING FAN						1	1.00

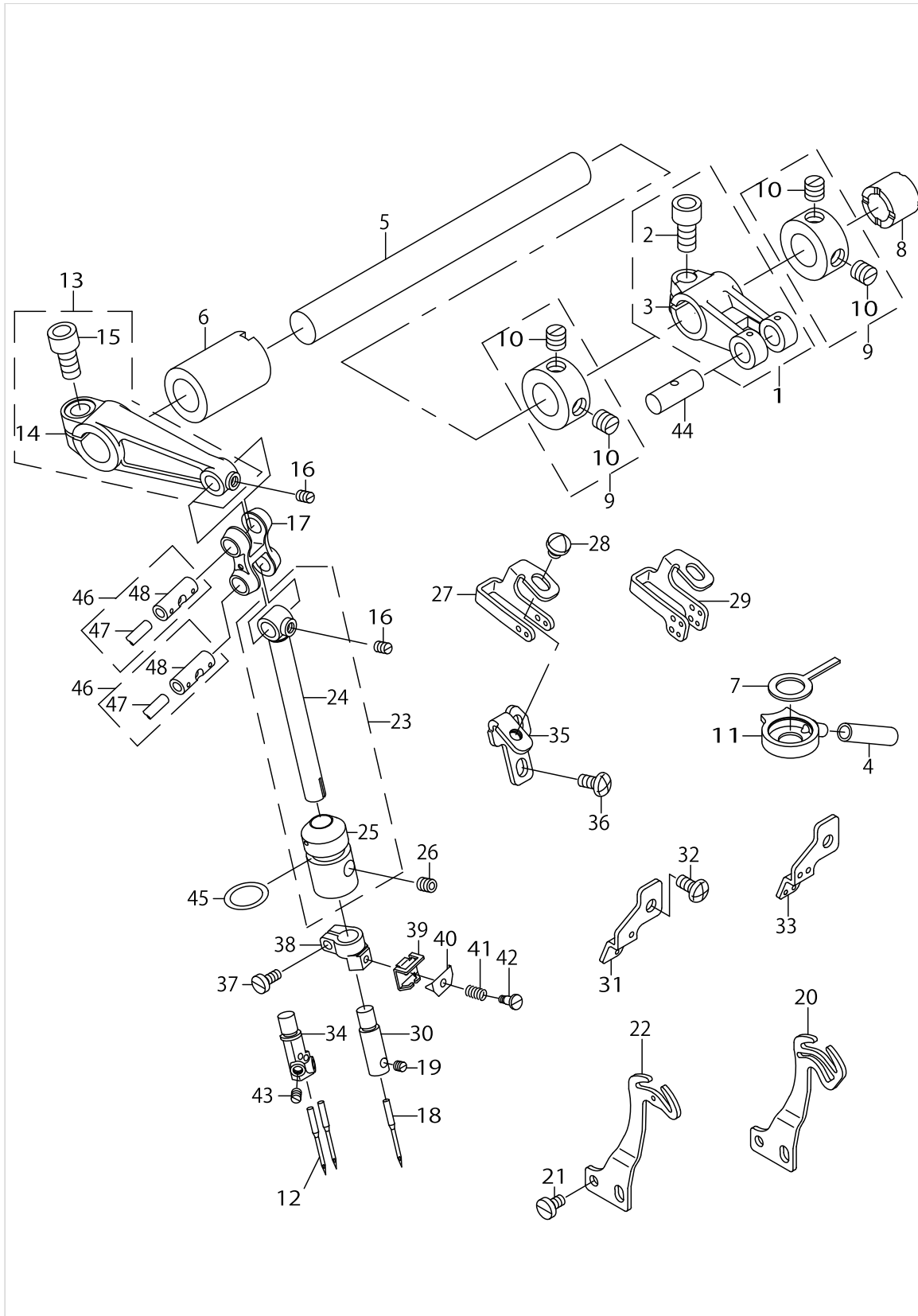
CRANKSHAFT COMPONENTS



CRANKSHAFT COMPONENTS

No.	Supply Code	Parts No.	Replacement	Parts name	Remarks	Choice	Step	Level	Cons	Qty	Rep. QTY
47	R	12107611	13107602	FLYWHEEL A						1	1.00
48	R	SS8151150SP	SS8151150TP	SCREW 15/64-28 L=10.5						2	1.00
49		WP0764016SP		WASHER						1	

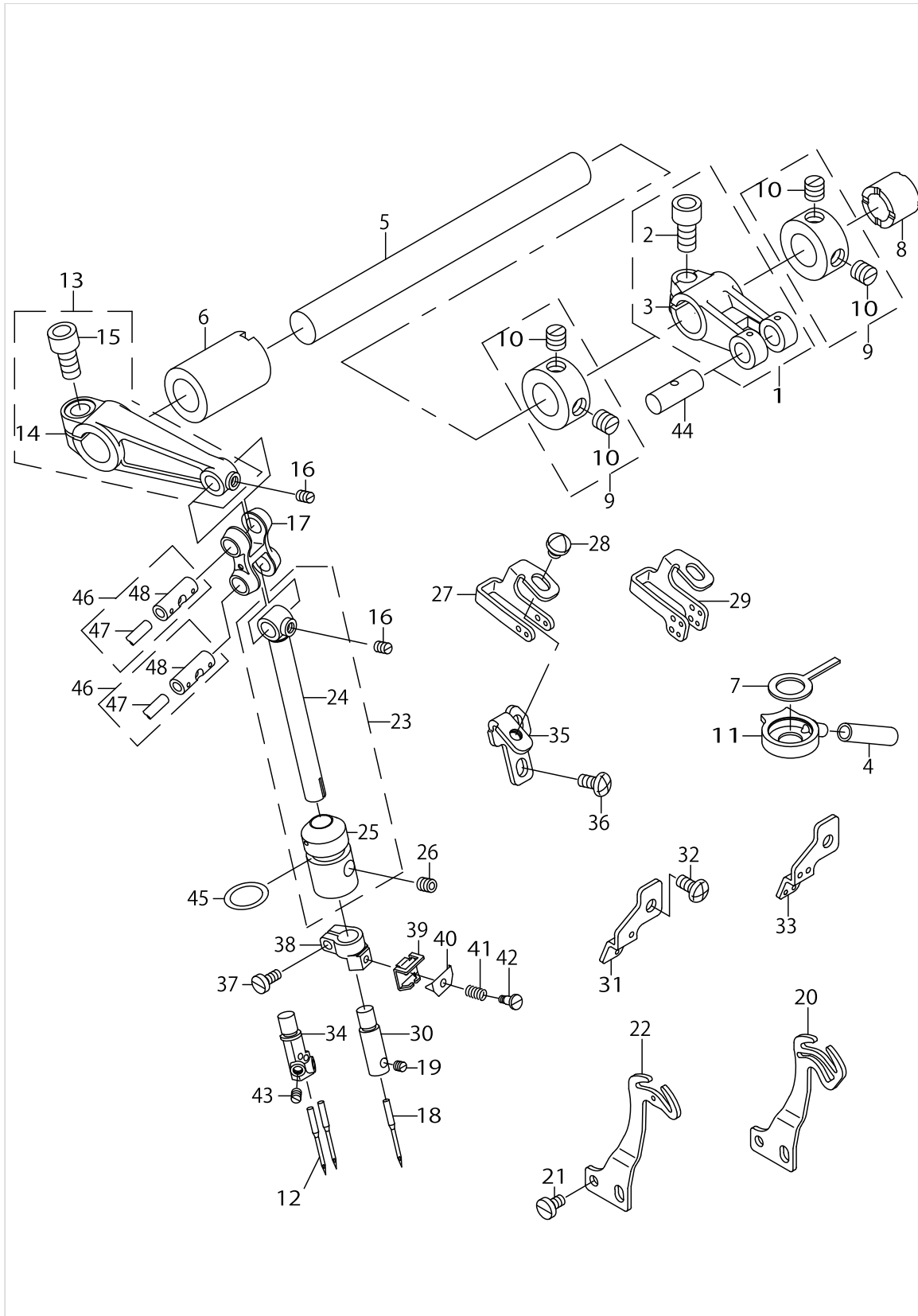
# NEEDLE DRIVING SHAFT COMPONENTS



NEEDLE DRIVING SHAFT COMPONENTS

No.	Supply Code	Parts No.	Replacement	Parts name	Remarks	Choice	Step	Level	Cons	Qty	Rep. QTY
1		12109260		FEED FORKED CRANK ASM.						1	
2		SM6061402TP		SCREW M6 L=14				*		1	
3	R	12109211	12109260	NEEDLE DRIVING FORKED CRANK				*		1	1.00
4		BT0600402EA		OIL TUBE						.02	
5	R	12109302	13110606	NEEDLE DRIVING SHAFT						1	1.00
6		12252805		BUSHING,REAR						1	
7	D	12112306		FELT A						1	
8	R	12109500	13110101	BUSHING, REAR						1	1.00
9		CS1201010SH		THRUST COLLAR ASM. D=12 W=10						2	
10		SS8660610TP		SCREW 1/4-40 L=6				*		4	
11		12303806		COVER						1	
12		MDC270B1100		NEEDLE DCX27 #11	FOR MOF-- 3914,3914E					2	
13	D	12109666		NEEDLE DRIVING ARM ASM.						1	
14	R	12109617	12109666	NEEDLE DRIVING ARM				*		1	1.00
15		SM6061202TP		SCREW M6 L=12				*		1	
16		SS8090530TP		SCREW 9/64-40 L=5.0						2	
17		12252904		NEEDLE DRIVING LINK						1	
18		MDC270B1100		NEEDLE DCX27 #11	FOR MOF-- 3904,3904E					1	
19		SS8080310TP		SCREW 1/8-44 L=2.8	FOR MOF-- 3904,3904E					1	
20	R	12304101	31202708	TAKE-UP LEVER, 2-NEEDLE	FOR MOF-- 3914,3914E					1	1.00
21		SS6090670TP		SCREW 9/64-40 L=6						2	
22	R	12304002	31202609	NEEDLE THREAD BALANCE	FOR MOF-- 3904,3904E					1	1.00
23	D	12372157		NEEDLE HOLDER ASM.						1	
24	D	12110227		NEEDLE HOLDER				*		1	
25	D	12372108		NEEDLE HOLDER METAL				*		1	
26		SM8040612TP		SCREW M4 L=6						1	
27	D	12111209		NEEDLE THREAD GUIDE	FOR MOF-- 3904,3904E					1	
28		SS4110515SP		SCREW 11/64-40 L=5						1	
29		12111308		THREAD GUIDE, 2-NEEDLE	FOR MOF-- 3914,3914E					1	
30	R	12148607	13175005	NEEDLE CLAMP	FOR MOF-- 3904,3904E					1	1.00
31		12111803		TAKE-UP LEVER GUIDE	FOR MOF-- 3904,3904E					1	
32		SM4040855SP		SCREW						1	
33		12111902		TAKE-UP LEVER GUIDE, 2-NEEDLE	FOR MOF-- 3914,3914E					1	
34	D	12148706		NEEDLE CLAMP, 2-NEEDLE	FOR MOF-- 3914,3914E					1	
35		12112108		NEEDLE THREAD GUIDE STAND						1	
36		SM4040855SP		SCREW						2	
37		SS6080720SP		SCREW						1	
38	R	12280608	13110259	NEEDLE CLAMP HOLDER						1	1.00
39	R	12110607	13110705	NEEDLE THREAD PRESSER GUIDE, A						1	1.00
40	R	12110904	13111000	NEEDLE THREAD PRESSER PLATE						1	1.00
41	D	12110805		NEEDLE THREAD PRESSER SPRING						1	

NEEDLE DRIVING SHAFT COMPONENTS

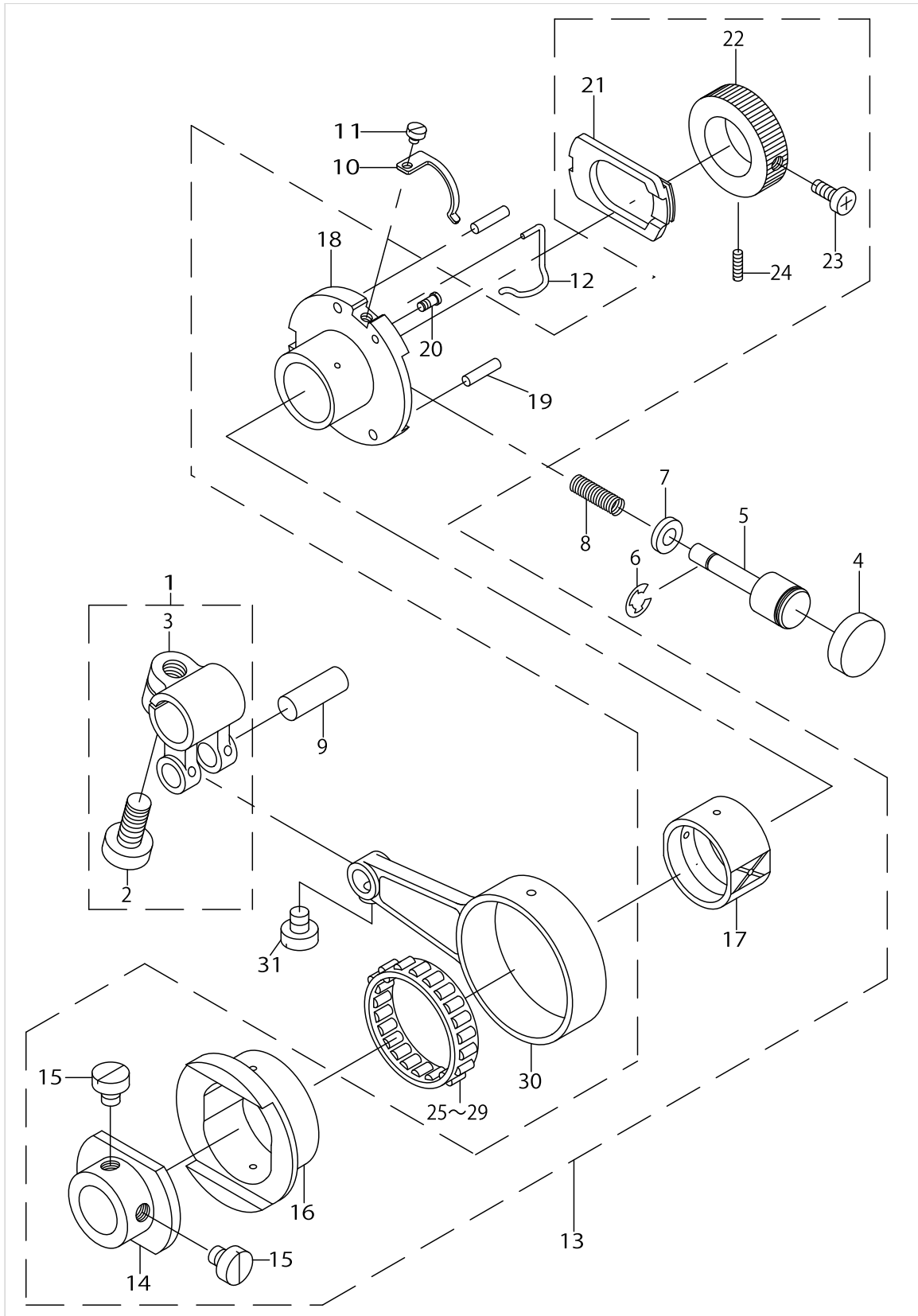


NEEDLE DRIVING SHAFT COMPONENTS

No.	Supply Code	Parts No.	Replacement	Parts name	Remarks	Choice	Step	Level	Cons	Qty	Rep. QTY
42		SD0280401SL		HINGE SCREW D=2.8 H=4						1	
43		SS8080310TP		SCREW 1/8-44 L=2.8	FOR MOF-- 3914,3914E					2	
44		11823804		CRANK PIN C	SELECTING PART FOR FIT TOLERANCE					1	
45	D	RO108240100		RUBBER RING						1	
46	D	12109955		LINK PIN C ASM.	SELECTING PART FOR FIT TOLERANCE					2	
47		GQ252000000		OIL WICK				*		0.07	
48	D	12109906		LINK PIN C	SELECTING PART FOR FIT TOLERANCE			*		2	



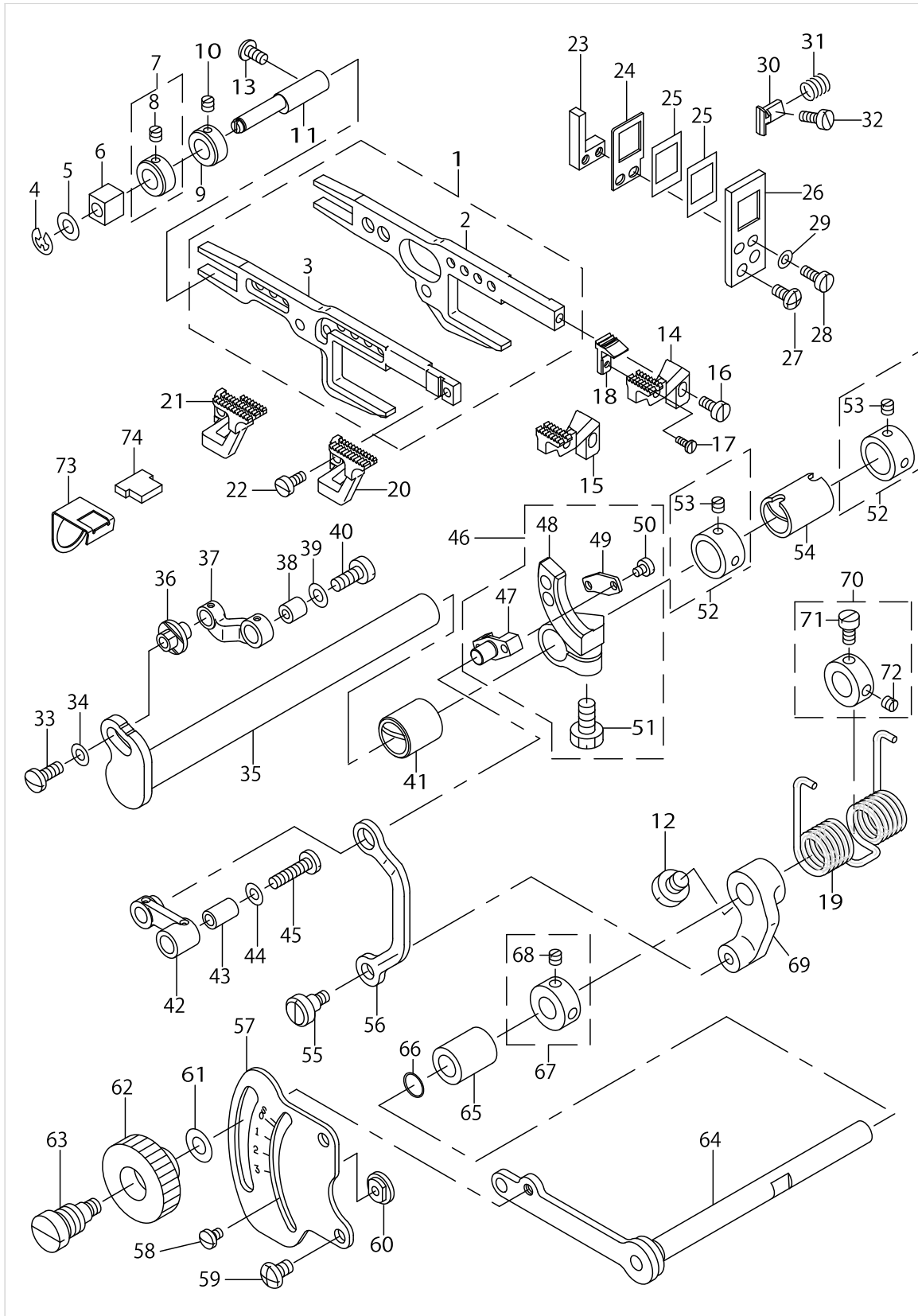
FEED MECHANISM COMPONENTS(1)



FEED MECHANISM COMPONENTS(1)

No.	Supply Code	Parts No.	Replacement	Parts name	Remarks	Choice	Step	Level	Cons	Qty	Rep. QTY
1		12209052		FORKEND CRANK ASM.						1	
2		SS9151210TP		SCREW 15/64-28 L=11.8				*		1	
3		12209003		FORKEND CRANK				*		1	
4		12211801		PUSH BOTTON CAP						1	
5	R	12211702	31256605	PUSH BOTTON STUD						1	1.00
6		RE0320000K0		E-RING 3.2						1	
7		12118600		OIL SHEET						1	
8	R	B1652704000	31256803	SPRING						1	1.00
9		11823804		CRANK PIN C	SELECTIVE PART					1	
10		12208807		RATCHET GEAR SPRING						1	
11		SS6080340SP		SCREW 1/8-44 L=2.9						1	
12		12208609		RATCHET PAWL SPRING						1	
13		12208153		FEED CAM SUPPORT BASE						1	
14		12208104		FEED ECCENTRIC BODY				*		1	
15		SS6660710TP		SCREW 1/4-40 L=7				*		2	
16		12208203		FEED CAM				*		1	
17		12208302		SLIDE BLOCK				*		1	
18		12208401		FEED ADJUSTING CAM				*		1	
19		PS0300132KH		SPRING PIN 3X13				*		2	
20		SD0260271SP		HINGE SCREW D= 2.60 H= 2.7				*		1	
21		12208500		RATCHET PAWL				*		1	
22		12208708		RATCHET GEAR				*		1	
23		SS6111110SP		SCREW 11/64-40 L=11.0				*		1	
24		SS8110520TP		SCREW 11/64-40 L= 4.5				*		1	
25		SB33500020A		BEARING	SELECTIVE PART					1	
26		SB33500020B		BEARING	SELECTIVE PART					1	
27		SB33500020C		BEARING	SELECTIVE PART					1	
28		SB33500020D		BEARING	SELECTIVE PART					1	
29		SB33500020E		BEARING	SELECTIVE PART					1	
30		12208906		CRANK ROD						1	
31		SS7110910TP		SCREW 11/64-40 L= 8.5						1	

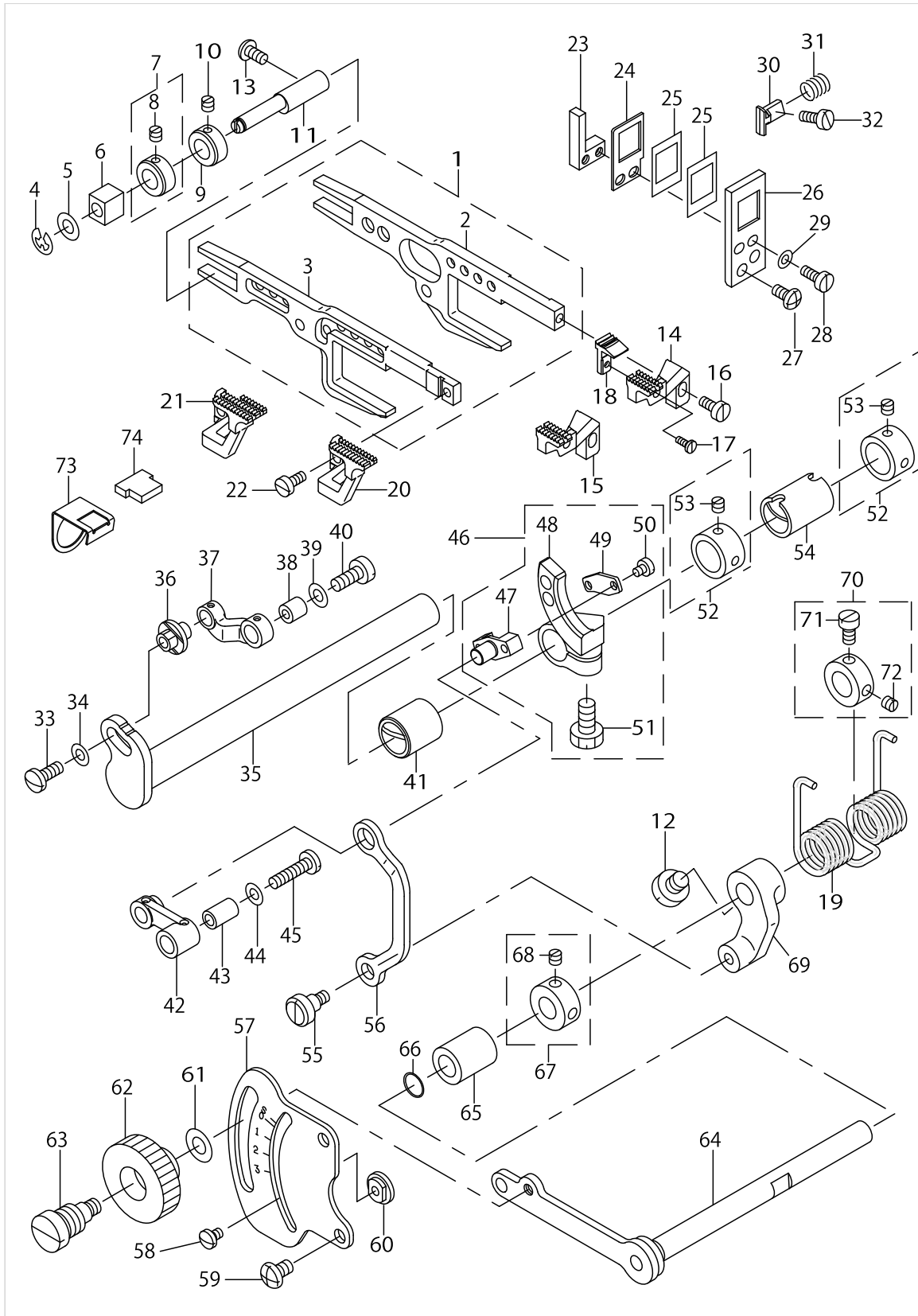
FEED MECHANISM COMPONENTS(2)



FEED MECHANISM COMPONENTS(2)

No.	Supply Code	Parts No.	Replacement	Parts name	Remarks	Choice	Step	Level	Cons	Qty	Rep. QTY
1	R	12209953	13285051	MAIN FEED BAR ASM.						1	1.00
2	R	12209904	13285051	MAIN FEED BAR				*		1	1.00
3		12210001		DIFFERENTIAL FEED BAR				*		1	
4		RE0400000K0		E-RING 4						1	
5		11529914		WASHER						1	
6		12210308		SLIDE BLOCK						1	
7	D	11828050		COLLAR ASM.						1	
8		SS8110410TP		SCREW 11/64-40 L= 3.5				*		1	
9	R	CS0790731SH	CS079073ASH	THRUST COLLAR						1	1.00
10		SS8110410TP		SCREW 11/64-40 L= 3.5						1	
11		12210217		FEED BAR SUPPORT SHAFT						1	
12		SS6660610TP		SCREW 1/4-40 L=6						1	
13		SM4040855SP		SCREW						1	
14		12235107		MAIN FEED DOG	SELECTIVE PART					1	
15		12235206		MAIN FEED DOG						1	
16		SS6090810TP		SCREW 9/64-40 L=7.5						1	
17		SS7060610SP		SCREW 3/32-56 L=5.5						1	
18		12238101		AUXILIARY FEED DOG						1	
19	D	12211504		SPRING						1	
20		12236600		DIFFERENTIAL FEED DOG	SELECTIVE PART					1	
21		12236709		DIFFERENTIAL FEED DOG						1	
22		SS6090810TP		SCREW 9/64-40 L=7.5						1	
23	R	12210605	13285705	FEED BAR SUPPORT, LEFT						1	1.00
24		12210506		RUBBER SUPPORT						1	
25	R	12118303	70004244	RUBBER						2	1.00
26		12210407		RUBBER CASE						1	
27		SM4040855SP		SCREW						2	
28		SS6090910TP		SCREW 9/64-40 L=9						2	
29		WP0371026SD		WASHER 3.7X7X1						2	
30	D	12210704		FEED BAR SUPPORT, RIGHT						1	
31		12210803		SPRING						1	
32		SS6110820TP		SCREW 11/64-40 L=8						1	
33		SS6111010TP		SCREW 11/64-40 L= 9.5						1	
34		B322877100B		BOBBIN WINDER SPACER						1	
35		12209102		ROCKER SHAFT						1	
36		12209201		MAIN FEED PIN						1	
37		12209300		MAIN FEED LINK						1	
38	D	B1620804000		COLLAR						1	
39	R	B1707155000	31255300	FEED DRIVING SLID- E BLOCK WASHE						1	1.00
40		SS6121220TP		SCREW 3/16-28 L=11.5						1	
41	R	12210902	31255706	BUSHING, FRONT						1	1.00
42		12209805		LINK						1	
43		12209706		COLLAR						1	
44		WP0451026SH		WASHER						1	
45		SS7111810TP		SCREW 11/64-40 L=18						1	
46		12209458		SUB-FEED ARM ASM.						1	

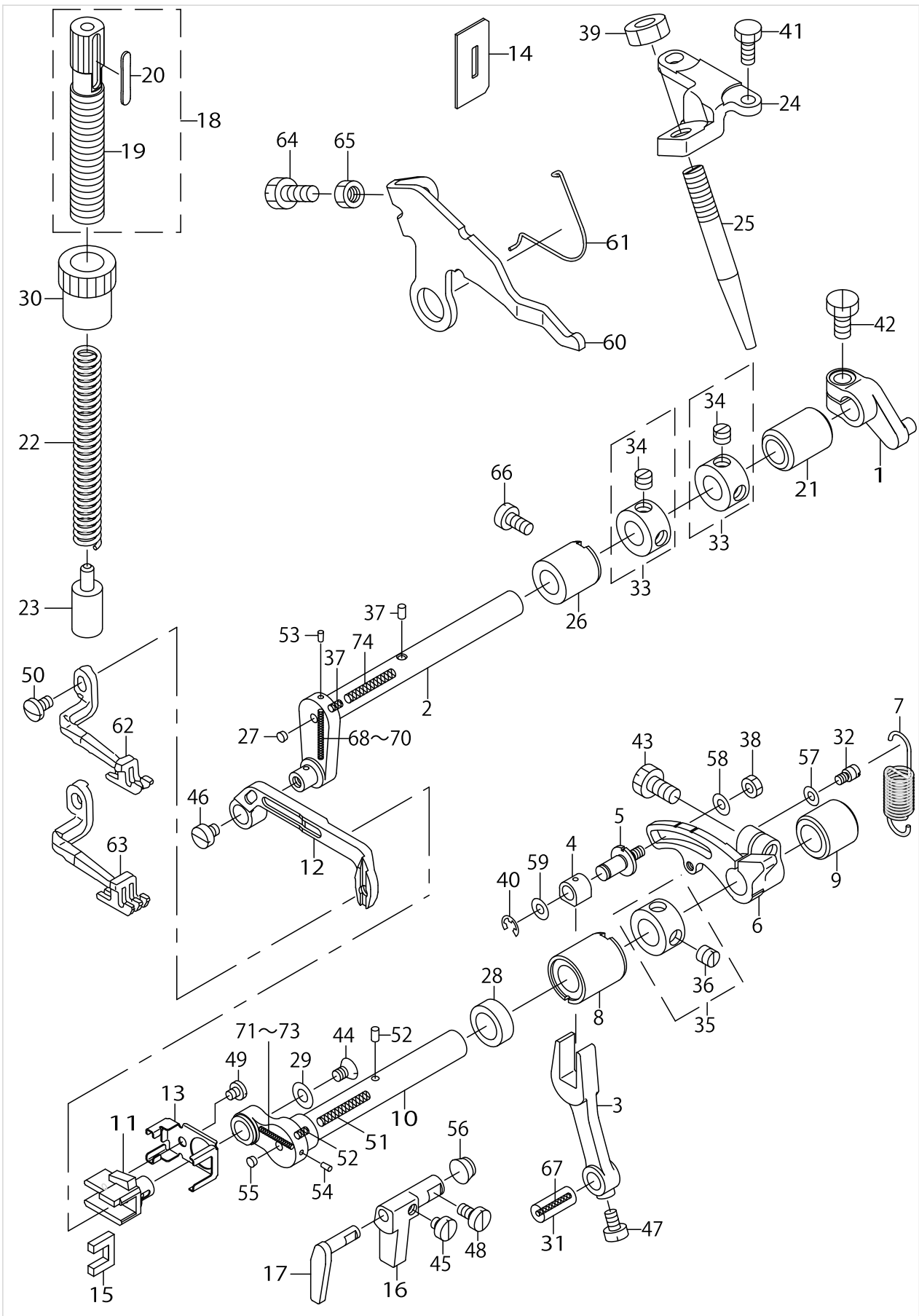
FEED MECHANISM COMPONENTS(2)



FEED MECHANISM COMPONENTS(2)

No.	Supply Code	Parts No.	Replacement	Parts name	Remarks	Choice	Step	Level	Cons	Qty	Rep. QTY
47		12209508		PIN				*		1	
48	R	12209409	12209458	FEED ROCKER				*		1	1.00
49		12209607		PIN COVER				*		1	
50		SS6080410SP		SCREW 1/8-44 L=4				*		2	
51		SS9151210TP		SCREW 15/64-28 L=11.8				*		1	
52		CS120101BSH		THRUST COLLAR ASM.						2	
53		SS8660410SP		SCREW 1/4-40 L= 4.2				*		4	
54	R	12211009	31255805	BUSHING, REAR						1	1.00
55		SD0640321TP		HINGE SCREW D=6.35 H=3.2						1	
56		12211405		LINK						1	
57		12211603		DIFFERENTIAL FEED GRADUATION						1	
58		SS7090540TP		SCREW 9/64-40 L=5						2	
59		SM4050855SP		SCREW						2	
60		11529005		STOPPER						2	
61		WP0621016SD		WASHER 6.2X13X1						1	
62		B1647704000A		DIFFERENTIAL FEED LOCK NUT						1	
63		B1646704000A		DIFFERENTIAL FEED HINGE SCREW						1	
64		12211157		ROCKER SHAFT ASM.						1	
65		12118709		ROCKER SHAFT METAL						1	
66		RO060150100		RUBBER RING						1	
67		CS087081BSH		THRUST COLLAR ASM.						1	
68		SS8110410TP		SCREW 11/64-40 L= 3.5				*		2	
69	D	12211306		DIFFERENTIAL FEED ROCKER						1	
70		CS087081CSH		THRUST COLLAR ASM.						1	
71		B1536804000		PIN				*		1	
72		SS8110410TP		SCREW 11/64-40 L= 3.5				*		1	
73	D	12212007		FELT PRESSER						1	
74		12212106		OIL RETURN FELT						1	

UPPER FEED MECHANISM COMPONENTS(1)

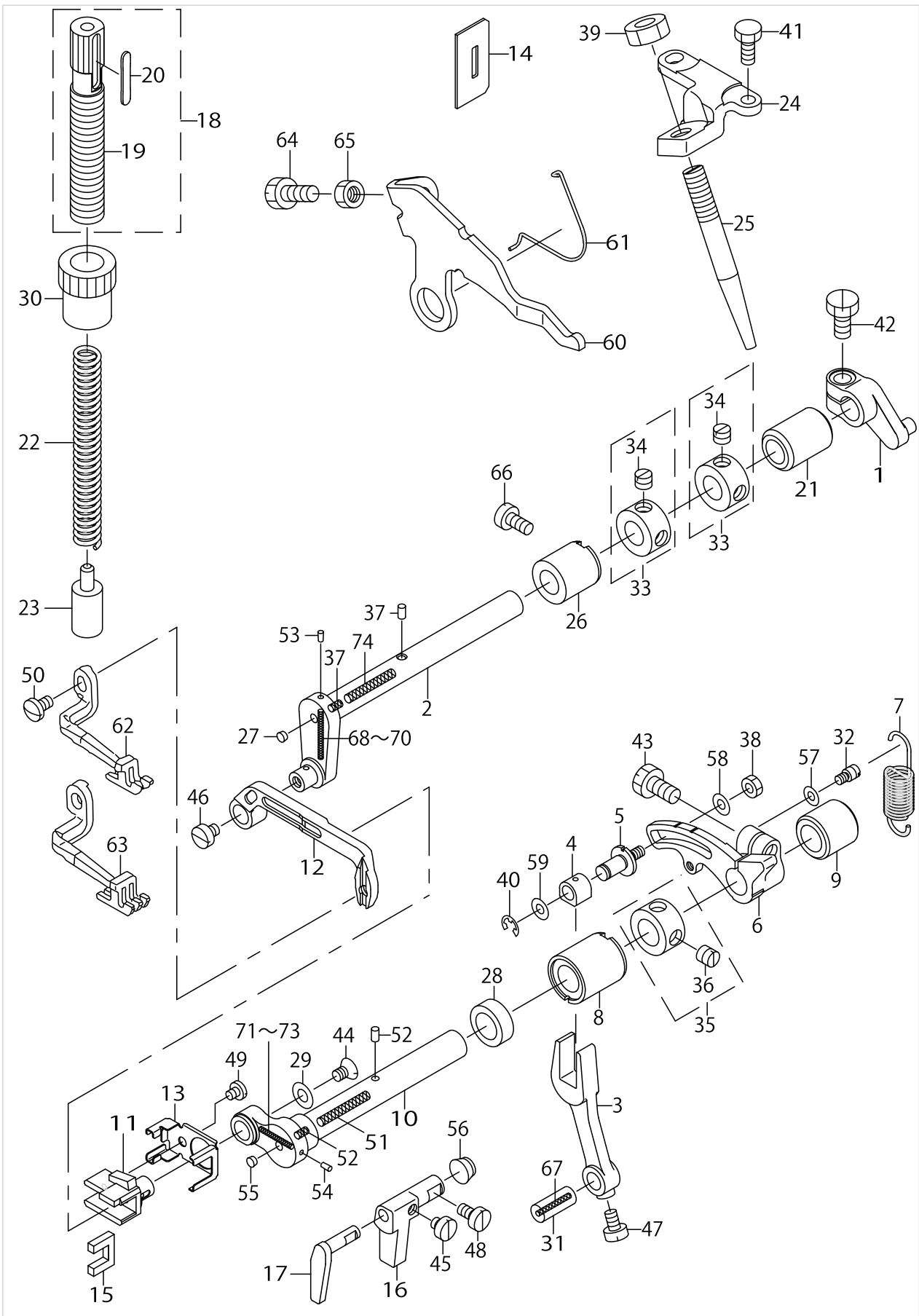


UPPER FEED MECHANISM COMPONENTS(1)

No.	Supply Code	Parts No.	Replacement	Parts name	Remarks	Choice	Step	Level	Cons	Qty	Rep. QTY
1	R	12309100	31208507	HORIZONTAL ARM C						1	1.00
2	D	12292603		HORIZONTAL SHAFT						1	
3	R	12309308	31208705	VERTICAL ROD						1	1.00
4	R	12309407	31208804	VERTICAL SLIDE BLOCK						1	1.00
5	R	12309506	31208903	VERTICAL ADJUST PIN						1	1.00
6		12309605		ADJUST ARM						1	
7		12309704		ADJUST ARM SPRING						1	
8	R	12309803	13277405	SHAFT METAL(FRONT)						1	1.00
9		12309902		VERTICAL SHAFT REAR METAL						1	
10		12310009		SHAFT						1	
11	R	12310108	13276308	UPPER FEED SLIDE BLOCK						1	1.00
12		12310207		UPPER FEED BAR						1	
13		12310306		OIL THROWER RUBBER PRESSER						1	
14		12306007		LIFTER RUBBER						1	
15		12310504		FEED BAR FELT						1	
16	R	12310603	13276407	GUIDE A						1	1.00
17		12310702		GUIDE B						1	
18		12310850		ADJUST SCREW ASM.						1	
19		12310801		ADJUST SCREW				*		1	
20	R	12310900	12310850	ADJUST SCREW PLATE				*		1	1.00
21		12308409		METAL, REAR						1	
22		12311007		UPPER PRESSER SPRING						1	
23		12311106		UPPER PRESSER SLIDE BLOCK						1	
24		12312203		SHAFT SCREW BACE						1	
25	R	12312302	31211402	SHAFT SCREW						1	1.00
26		12308300		METAL,FRONT						1	
27		TA0340201R0		PLUG D=3.4X3.9 L=S						1	
28		11566809		OIL SEAL						1	
29		11913407		SLIDE BLOCK WASHER						1	
30		11914405		NUT						1	
31		B1612804C00		CRANK PIN C	SELECTIVE PART					1	
32	R	B2024771000	40009196	SUSPENSION SCREW						1	1.00
33		CS100101ESH		THRUST COLLAR ASM.						2	
34		SS8660530TP		SCREW 1/4-40 L= 4.5				*		2	
35		CS111101HSH		THRUST COLLAR ASM.						1	
36		SS8660330SP		SCREW 1/4-40 L= 3.0				*		1	
37		B3525704000		OIL FELT						2	
38		NM6040000SN		NUT M4						1	
39		NM6080011SF		NUT M8						1	
40		RE0400000K0		E-RING 4						1	
41		SM9051203CP		SCREW M5 L=12						2	
42		SM9061250TP		SCREW M6 L=12						1	
43		SM9061250TP		SCREW M6 L=12						1	
44		SS2110710TP		SCREW 11/64-40 L=7						1	
45		SS6110420TP		SCREW 11/64-40 L=4.8						1	
46		SS6110520TP		SCREW 11/64-40 L=4.5						1	



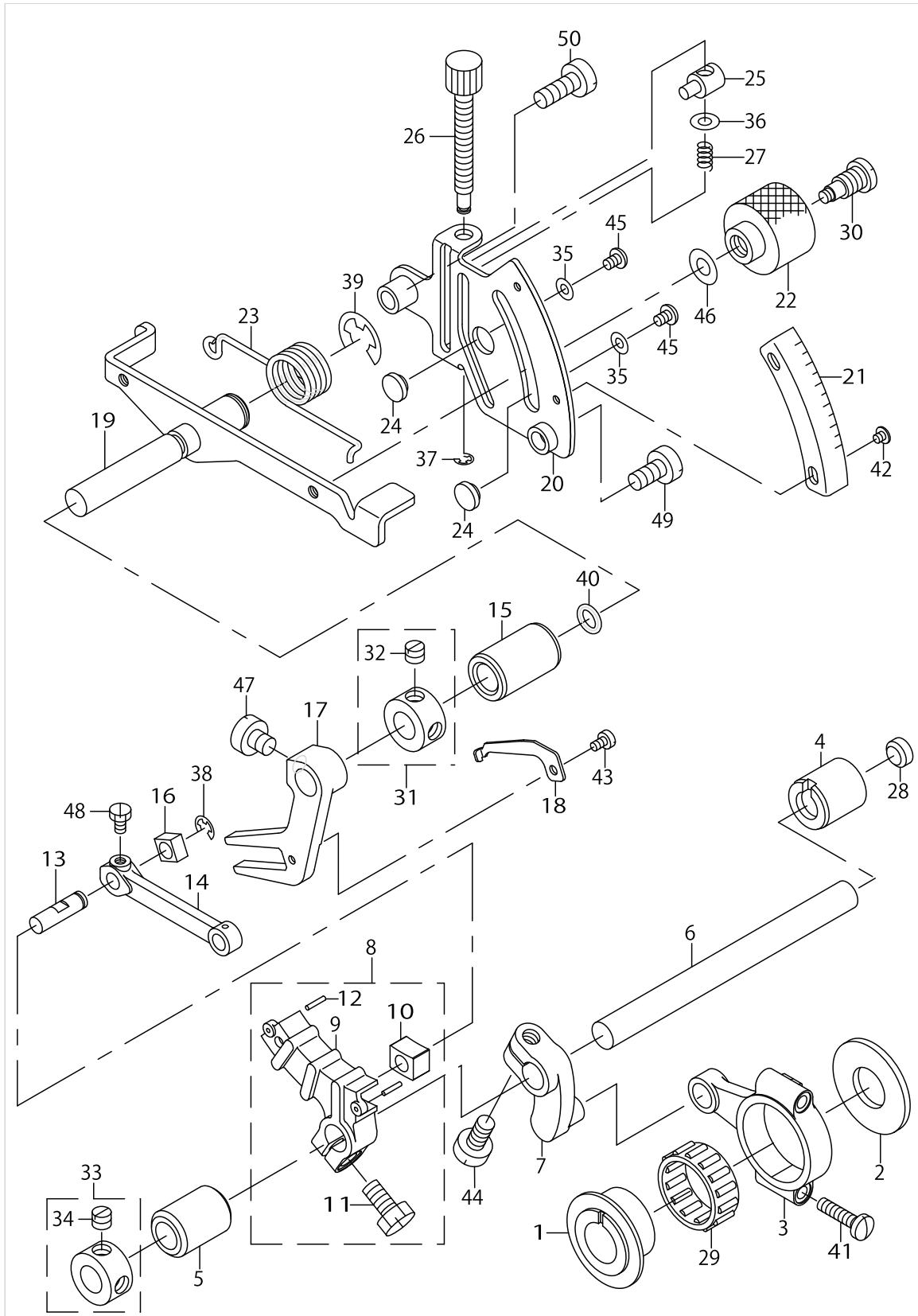
UPPER FEED MECHANISM COMPONENTS(1)



UPPER FEED MECHANISM COMPONENTS(1)

No.	Supply Code	Parts No.	Replacement	Parts name	Remarks	Choice	Step	Level	Cons	Qty	Rep. QTY
47		SS6110710TP		SCREW 11/64-40 L= 6.5						1	
48		SS6110820TP		SCREW 11/64-40 L=8						1	
49		SS7090410SP		SCREW 9/64-40 L=3.5						1	
50		SS7110740TP		SCREW 11/64-40 L=7						1	
51		12317202		OIL WICK (HORIZONTAL)						1	
52		B3525704000		OIL FELT						2	
53		TA0180401M0		NEEDLE COOLER PLUG CAP						1	
54		TA0180401M0		NEEDLE COOLER PLUG CAP						1	
55		TA0340201R0		PLUG D=3.4X3.9 L=S						1	
56		TA0800501R0		PLUG D=8X8.2 L=5						1	
57		WP0371036SD		WASHER 3.7X6X1						1	
58		WP0451026SH		WASHER						1	
59		WP0621016SH		WASHER						1	
60	R	12305405	31204407	TOP FEED DOG LIFTER B						1	1.00
61		12305504		UPPER FEED DOG LIFTER B SPRING						1	
62		11936614		TOP FEED DOG	FOR MOF-- 3904,3904E					1	
63		11936804		TOP FEED DOG	FOR MOF-- 3914,3914E					1	
64		SS9151210TP		SCREW 15/64-28 L=11.8						1	
65		NS6150430SP		NUT 15/64-28						1	
66		SS6121020SP		SCREW 3/16-28 L=9.5						1	
67		CQ202000000		OIL WICK						.08	
68		12316600		OIL WICK(VERTICAL C)	SELECTIVE PART					1	
69		12316402		OIL WICK(VERTICAL A)	SELECTIVE PART					1	
70		12316501		OIL WICK(VERTICAL B)	SELECTIVE PART					1	
71		12316709		OIL WICK(VERTICAL A)	SELECTIVE PART					1	
72		12316808		OIL WICK(VERTICAL B)	SELECTIVE PART					1	
73		12316907		OIL WICK(VERTICAL C)	SELECTIVE PART					1	
74		12317103		OIL WICK(HORIZONTAL)						1	

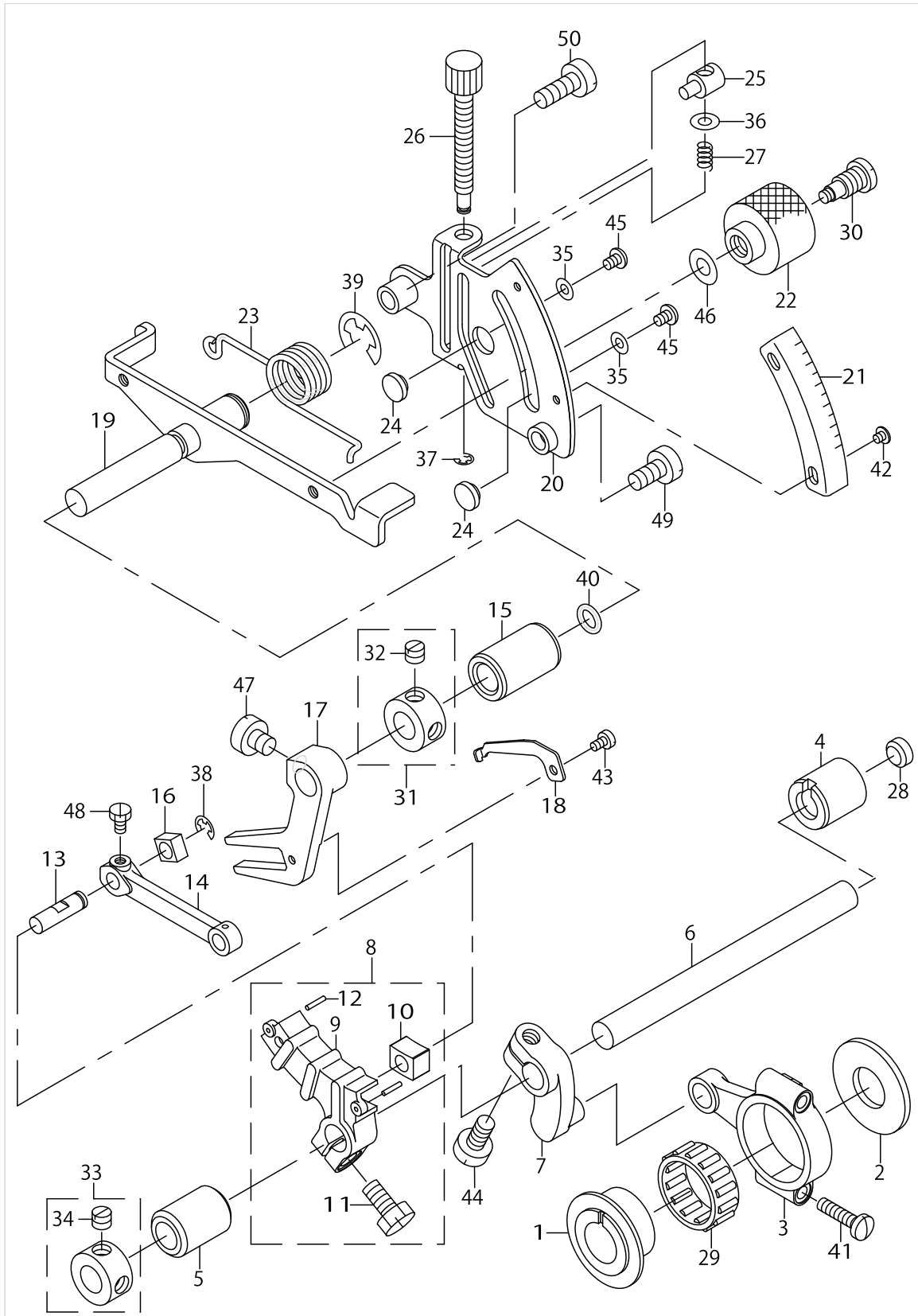
UPPER FEED MECHANISM COMPONENTS(2)



UPPER FEED MECHANISM COMPONENTS(2)

No.	Supply Code	Parts No.	Replacement	Parts name	Remarks	Choice	Step	Level	Cons	Qty	Rep. QTY
1	D	12308003		HORIZONTAL FEED CAM						1	
2		12308102		CAM SPACER						1	
3	R	12308201	12308250	HORIZONTAL ROD						1	1.00
4		12308300		METAL,FRONT						1	
5		12308409		METAL, REAR						1	
6		12292504		HORIZONTAL DRIVING SHAFT						1	
7	R	12308607	31207905	HORIZONTAL ARM A						1	1.00
8		12308755		HORIZONTAL ARM B ASM.						1	
9	R	12308706	12308755	HORIZONTAL ARM B				*		1	1.00
10	R	12308805	12308755	HORIZONTAL SLIDE BLOCK A				*		1	1.00
11		SM9061250TP		SCREW M6 L=12				*		1	
12		PS0150082KH		SPRING PIN				*		2	
13		12308904		HORIZONTAL FEED PIN						1	
14	D	12309001		VERTICAL FEED LINK						1	
15		12292702		ADJUSTING SHAFT METAL						1	
16	R	12311304	31210305	HORIZONTAL SLIDE BLOCK B						1	1.00
17	D	12311403		VERTICAL FORKED ARM						1	
18	R	12311502	31210503	HORIZONTAL BRANCH STOPPER						1	1.00
19		12292850		ADJUSTING SHAFT ASM.						1	
20		12311809		UPPER FEED SCALE PLATE						1	
21		12311908		UPPER FEED GRADUATION B						1	
22		12312005		UPPER FEED LOCK NUT						1	
23		12312104		UPPER FEED LEVER SPRING						1	
24		11529005		STOPPER						2	
25		11826005		DIFFERENTIAL FEED BLOCK						1	
26		11826104		DIFFERENTIAL FEED SCREW						1	
27		11826203		SPRING						1	
28		11898400		RUBBER PLUG B						1	
29		12116703		NEEDLE BEARING B	SELECTIVE PART					1	
30		B1646704000A		DIFFERENTIAL FEED HINGE SCREW						1	
31		CS100101ESH		THRUST COLLAR ASM.						1	
32		SS8660530TP		SCREW 1/4-40 L= 4.5				*		1	
33		CS100101ESH		THRUST COLLAR ASM.						1	
34		SS8660530TP		SCREW 1/4-40 L= 4.5				*		1	
35		WP0371016SD		WASHER 3.7X8X1						2	
36		WP0460556SD		WASHER 4.6X7.5X0.5						1	
37		RE0300000K0		E-RING 3						1	
38		RE0400000K0		E-RING 4						1	
39		RE0900000K0		E-RING 9						1	
40		RO068190100		RUBBER RING						1	
41		SS7111810TP		SCREW11/64-40L=18						2	
42		SS7111810TP		SCREW11/64-40L=18						2	
43		SM6030510SC		SCREW M3X0.5 L=5						1	
44		SM9061250TP		SCREW M6 L=12						1	
45		SS4090515SP		SCREW 9/64-40 L=5						2	
46		WP0621016SD		WASHER 6.2X13X1						1	

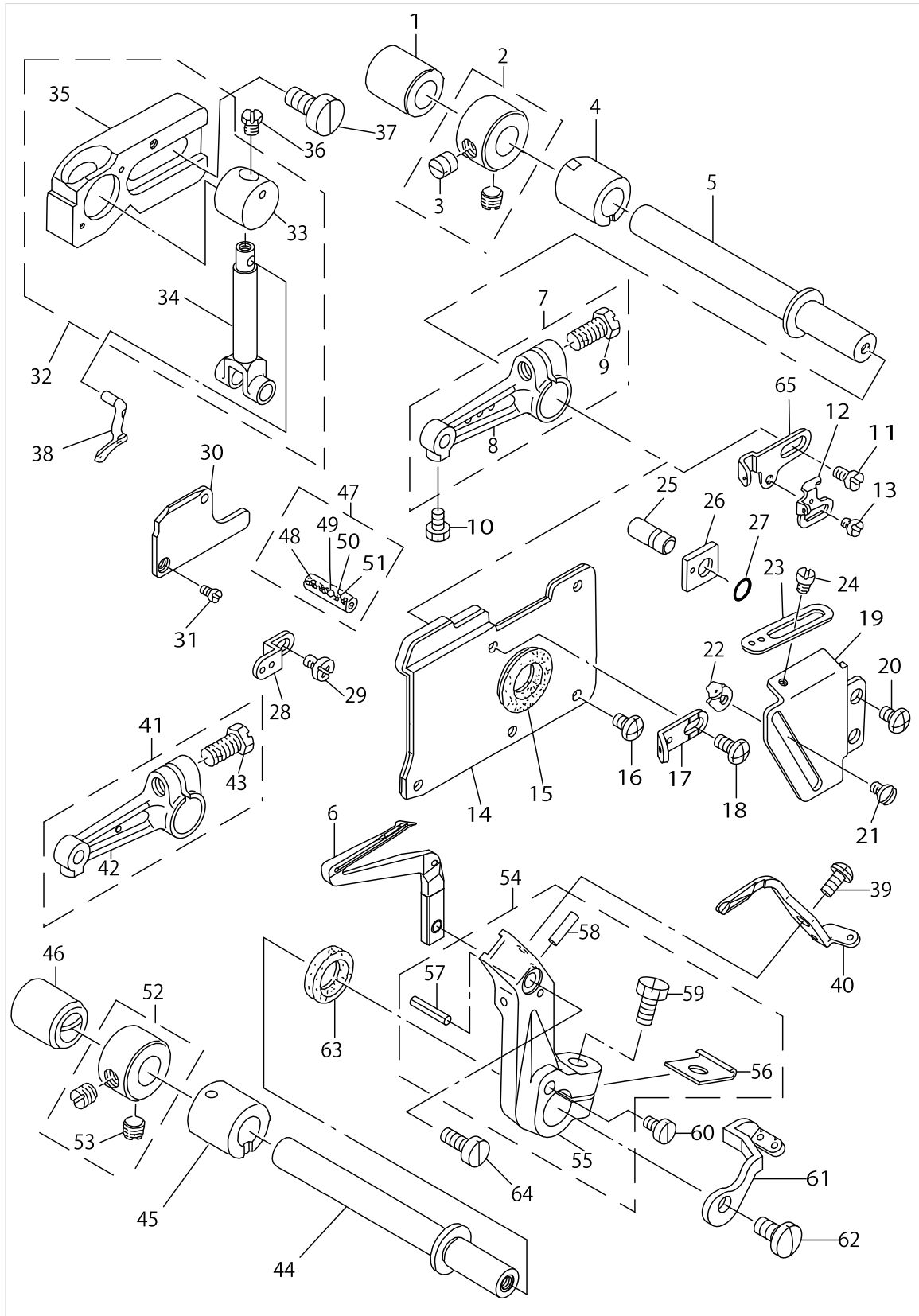
UPPER FEED MECHANISM COMPONENTS(2)



UPPER FEED MECHANISM COMPONENTS(2)

No.	Supply Code	Parts No.	Replacement	Parts name	Remarks	Choice	Step	Level	Cons	Qty	Rep. QTY
47		SS6660710TP		SCREW 1/4-40 L=7						1	
48		SS9090610TP		SCREW 9/64-40 L=5.5						1	
49		SM6061210SC		SCREW M6 L=12						1	
50		SM6061610SC		SCREW M6 L=16						1	

# UPPER & LOWER LOOPER COMPONENTS

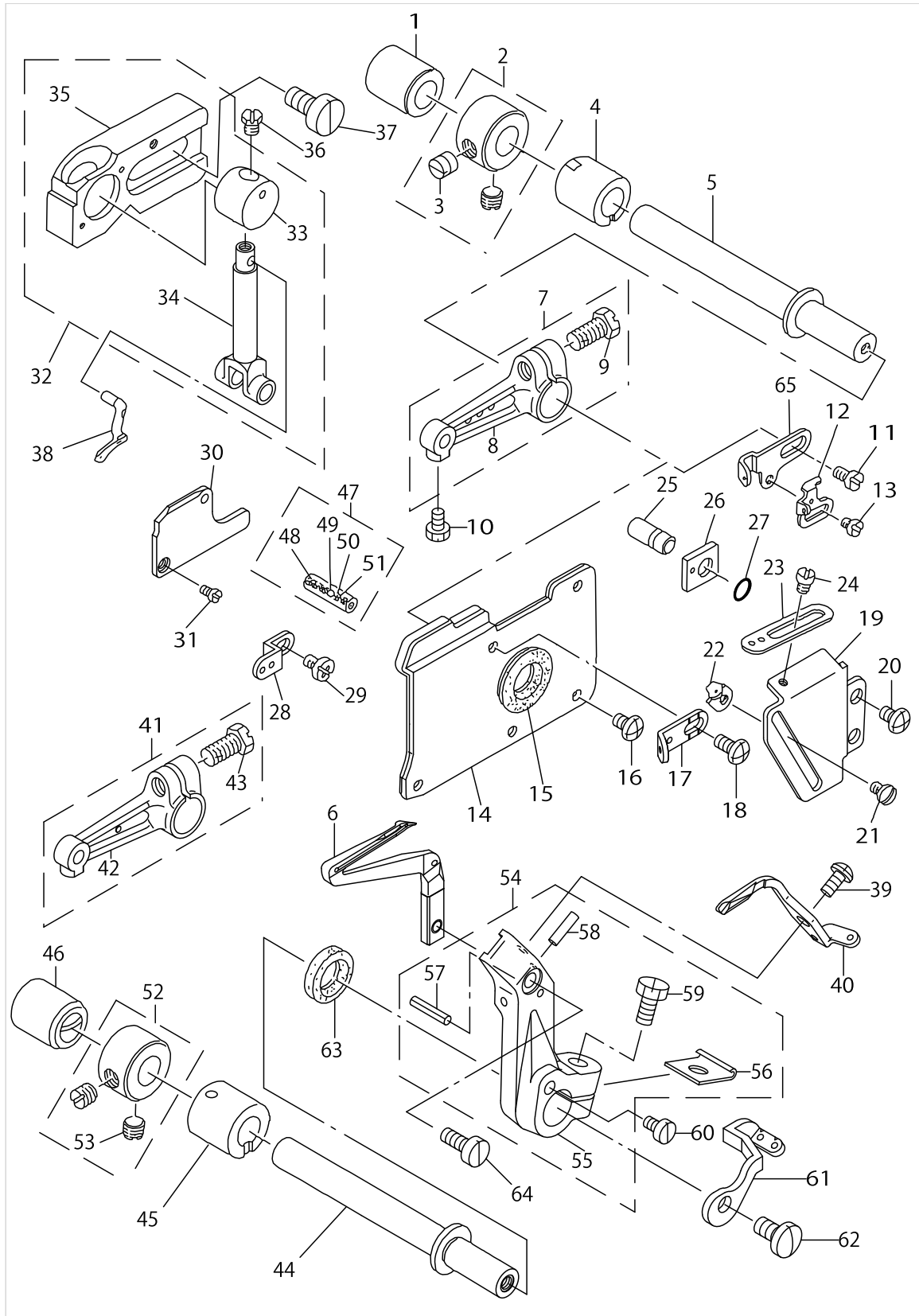


UPPER & LOWER LOOPER COMPONENTS

No.	Supply Code	Parts No.	Replacement	Parts name	Remarks	Choice	Step	Level	Cons	Qty	Rep. QTY
1	D	12122610		BUSHING REAR						1	
2		CS1031210SH		THRUST COLLAR A-SM. D=10.32 W=1						1	
3		SS8660610TP		SCREW 1/4-40 L=6				*		2	
4	R	12122511	13222609	LOOPER SHAFT FRONT BUSHING						1	1.00
5	R	12122404	13221403	UPPER LOOPER SHAFT		A				1	1.00
5	R	12122404	13221601	UPPER LOOPER SHAFT		A				1	1.00
5	R	12122404	13221502	UPPER LOOPER SHAFT		A				1	1.00
6		12240107		LOWER LOOPER						1	
7		12214656		UPPER LOOPER ARM D ASM.	FOR MOF-- 3914,3914E					1	
8	R	12214607	12214656	UPPER LOOPER ARM D				*		1	1.00
9		SS9151210TP		SCREW 15/64-28 L=11.8				*		1	
10		SS9090610TP		SCREW 9/64-40 L=5.5						1	
11		SS7110840SP		SCREW 11/64-40 L=7.8						1	
12		11833506		LOWER LOOPER TH-READ TAKE-UP						1	
13		SS6080410SP		SCREW 1/8-44 L=4						1	
14		12215554		OIL SHIELD PLATE ASM.						1	
15		B2530704000		UPPER LOOPER SH-AFT RUBBER RING						1	
16	R	SS6090630SP	SS6090630TP	SCREW 9/64-40 L=6						4	1.00
17		12124202		UPPER LOOPER THREAD GUIDE						1	
18		SS7090850SP		SCREW 9/64-40 L=8						1	
19	D	12123808		LOOPER THREAD T-AKE-UP COVER						1	
20		SM4040655SP		SCREW M4 L=6						2	
21		SS3090610SP		SCREW 9/64-40 L=6						1	
22	D	11833407		LOWER LOOPER THREAD GUIDE						1	
23	D	12123907		THREAD GUIDE, RIGHT						1	
24		SS3090610SP		SCREW 9/64-40 L=6						1	
25		11831906		PIN						1	
26	R	11831807	13131909	GAUGE						1	1.00
27		RO037180100		RUBBER RING						1	
28		12215703		LOOPER THREAD GUIDE, UPPER						1	
29		SS4090615SP		SCREW 9/64-40 L=6						1	
30		12214805		UPPER LOOPER GUIDE COVER						1	
31		SS7060610SP		SCREW 3/32-56 L=5.5						2	
32	R	12214755	40026017	UPPER LOOPER GUIDE ASM.						1	1.00
33	R	12123204	40015637	UPPER LOOPER GUIDE		A		*		1	1.00
33	R	12123204	40016841	UPPER LOOPER GUIDE		B		*		1	1.00
33	R	12123204	40026017	UPPER LOOPER GUIDE		C		*		1	1.00
34	R	12122909	40015637	UPPER LOOPER HOLDER				*		1	1.00
34	R	12122909	40016841	UPPER LOOPER HOLDER				*		1	1.00
34	R	12122909	40026017	UPPER LOOPER HOLDER				*		1	1.00
35	R	12214706	40026017	UPPER LOOPER GUIDE SUPPORT				*		1	1.00
35	R	12214706	40026017	UPPER LOOPER GUIDE SUPPORT				*		1	1.00



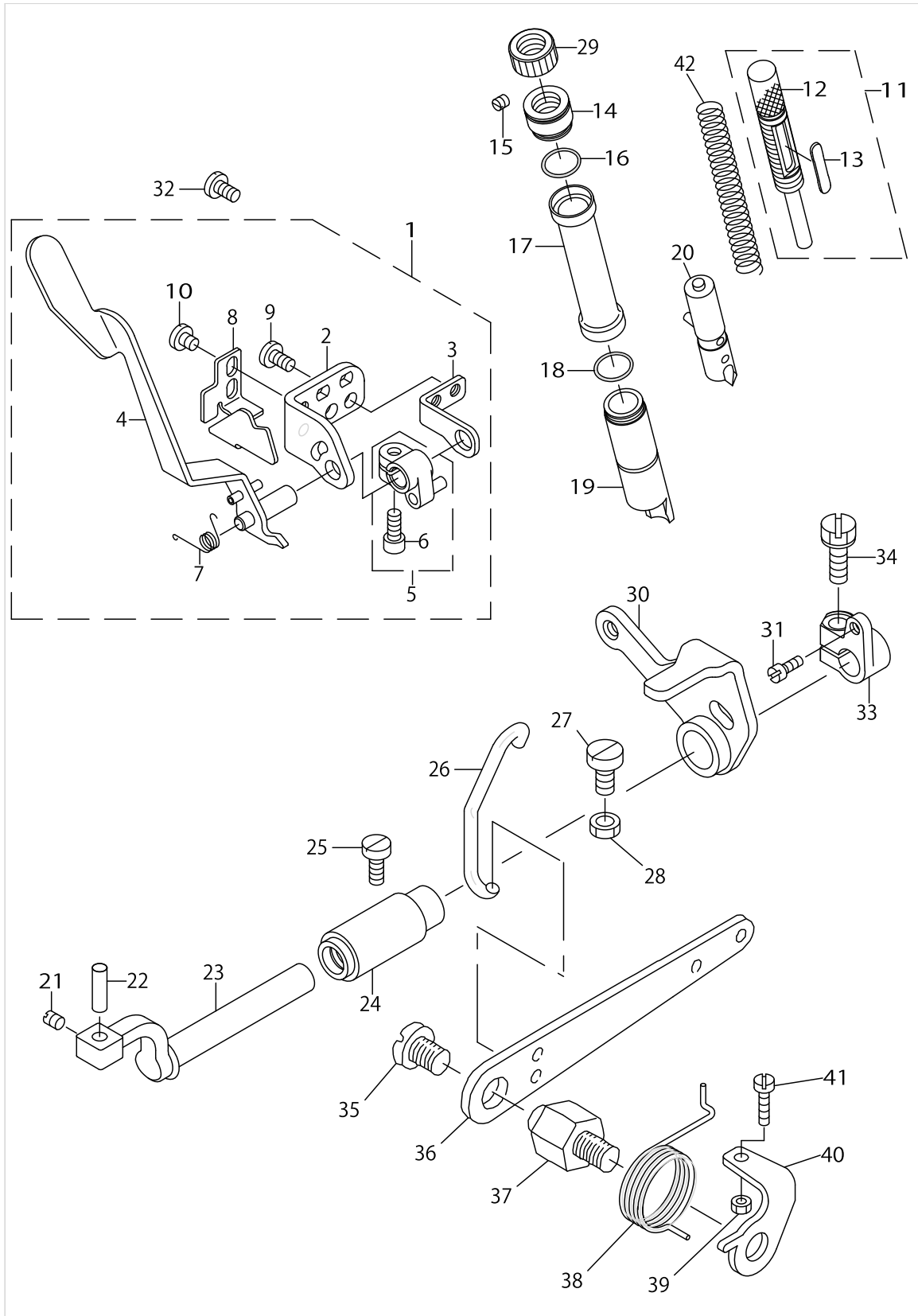
# UPPER & LOWER LOOPER COMPONENTS



UPPER & LOWER LOOPER COMPONENTS

No.	Supply Code	Parts No.	Replacement	Parts name	Remarks	Choice	Step	Level	Cons	Qty	Rep. QTY
36		SS9090410TP		SCREW						1	
37		SM6061200SP		SCREW						2	
38		12247300		UPPER LOOPER						1	
39	R	SS4080610SP	SS4080620TP	SCREW 1/8-44 L=6.4						1	1.00
40		12240602		NEEDLE GUARD						1	
41	R	12122859	12284550	UPPER LOOPER ARM B ASM.	FOR MOF-- 3904,3904E					1	1.00
42	R	12122800	12284550	UPPER LOOPER ARM B				*		1	1.00
43		SS9151210TP		SCREW 15/64-28 L=11.8				*		1	
44		12215208		LOWER LOOPER SHAFT						1	
45	D	12214904		LOWER LOOPER BUSHING,FRONT						1	
46	D	12215000		LOWER LOOPER BUSHING,REAR						1	
47	D	11831757		PIN ASM.	SELECTING PART FOR FIT TOLERANCE					1	
48	D	11517000		PIN C	SELECTING PART FOR FIT TOLERANCE			*		1	
49	R	11831708	13131701	OIL WICK STOPPER BALL				*		1	1.00
50		CQ202000000		OIL WICK				*		0.04	
51		CQ200000000		OIL WICK				*		0.04	
52		CS100101DSH		THRUST COLLAR ASM.						1	
53		SS8660530TP		SCREW 1/4-40 L= 4.5				*		2	
54		12215356		LOWER LOOPER ARM ASM.						1	
55		12215307		LOWER LOOPER ARM				*		1	
56	R	B2531704000	13129309	WASHER				*		1	1.00
57		PS0200062KH		SPRING PIN 2X6				*		1	
58		13508700		HOOK COVER PRE- SSER SPRING PIN				*		1	
59		SS9151210TP		SCREW 15/64-28 L=11.8				*		1	
60		SS6090630TP		SCREW 9/64-40 L=6						1	
61	D	12215604		LOOPER THREAD TAKE-UP,LEFT						1	
62		SS6111140SP		SCREW 11/64-40 L=11						1	
63		12215406		OIL SEAL						1	
64		SS6090610SP		SCREW 9/64-40 L= 5.5						1	
65	D	12124004		THREAD TAKE-UP, RIGHT						1	

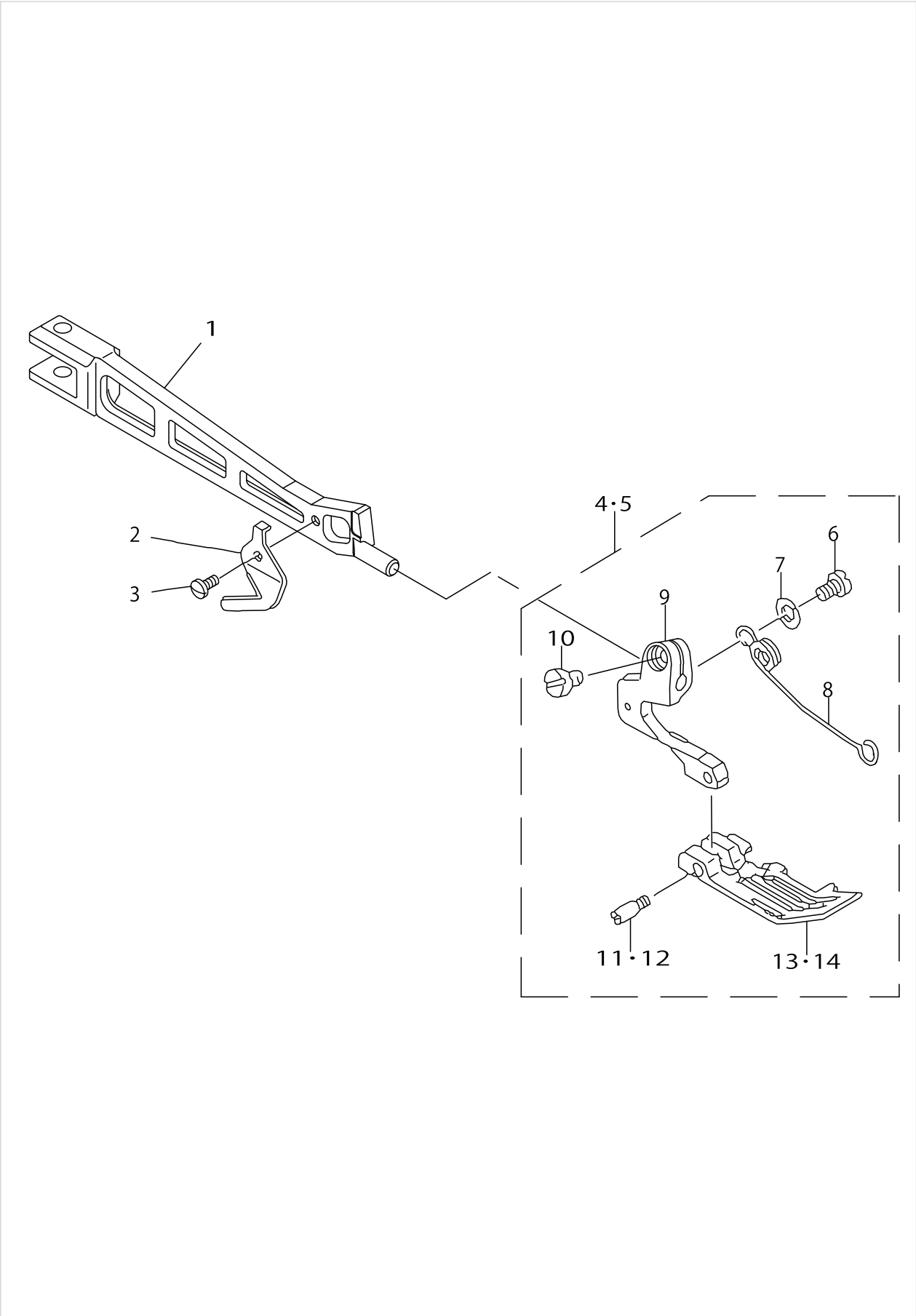
PRESSER FOOT COMPONENTS(1)



PRESSER FOOT COMPONENTS(1)

No.	Supply Code	Parts No.	Replacement	Parts name	Remarks	Choice	Step	Level	Cons	Qty	Rep. QTY
1	R	12306155	13274253	FOOT LIFTING LEV- ER STAND ASM.						1	1.00
2		12306106		FOOT LIFTING LEVER STAND A				*		1	
3		12306205		FOOT LIFTING LEVER STAND B				*		1	
4		12306353		FOOT LIFTING LEVER JUNCTION				*		1	
5		12306551		UPPER FEED DOG LIFTER A ASM.				*		1	
6		SS6111052TP		SCREW				*		1	
7		12306601		SPRING				*		1	
8		12306700		PRESSER ARM STOPPER				*		1	
9		SS7110840SP		SCREW 11/64-40 L=7.8				*		2	
10		SS7110510SP		SCREW 11/64-40 L=5				*		2	
11	D	12305959		PRESSER REGULAT- OR SCREW ASM.						1	
12		12305900		PRESSER REGULATOR SCREW				*		1	
13	R	12310900	12310850	ADJUST SCREW PLATE				*		1	1.00
14	R	12114609	12288700	PRESSER REGULAT- OR SCREW WASHER						1	1.00
15		SM8040402TP		SCREW M4X0.7 L=4						1	
16		RO110090100		RUBBER RING						1	
17		12114906		PRESSERBARCOVER						1	
18		RO110090100		RUBBER RING						2	
19	D	12305702		PRESSERBARMETAL						1	
20	R	12305850	40011753	PRESSER BAR ASM.						1	1.00
21		SS8110520TP		SCREW 11/64-40 L= 4.5						1	
22		B1534804000		PRESSER FOOT AR- M HINGE SHAFT						1	
23	R	12113205	13115001	PRESSER FOOT SHAFT						1	1.00
24		12305009		BUSHING						1	
25		SS6121020SP		SCREW 3/16-28 L=9.5						1	
26		12306809		LIFTING HOOK						1	
27		SM6061200SP		SCREW						1	
28		NM6060003SC		NUT M6						1	
29		12114807		PRESSER REGULATOR NUT						1	
30	R	12305256	31204258	PRESSER LIFTING ARM ASM.						1	1.00
31		SS6110710TP		SCREW 11/64-40 L= 6.5						1	
32		SS7110840SP		SCREW 11/64-40 L=7.8						2	
33		12113817		PRESSER FOOT SH- AFT THRUST ARM						1	
34		SS9151210TP		SCREW 15/64-28 L=11.8						1	
35		SS7161040SP		SCREW 1/4-24 L= 9.5						1	
36	R	11819315	13116900	LIFTING LEVER						1	1.00
37		11819109		LIFTING LEVER SCREW						1	
38		12206702		LIFTING LEVER SPRING						1	
39		NS6110420SP		NUT 11/64-40						1	
40		12206603		LEVER STOPPER						1	
41	R	SS7111410SP	SS7111410TP	SCREW11/64-40L=14						1	1.00
42		12115903		PRESSER SPRING						1	

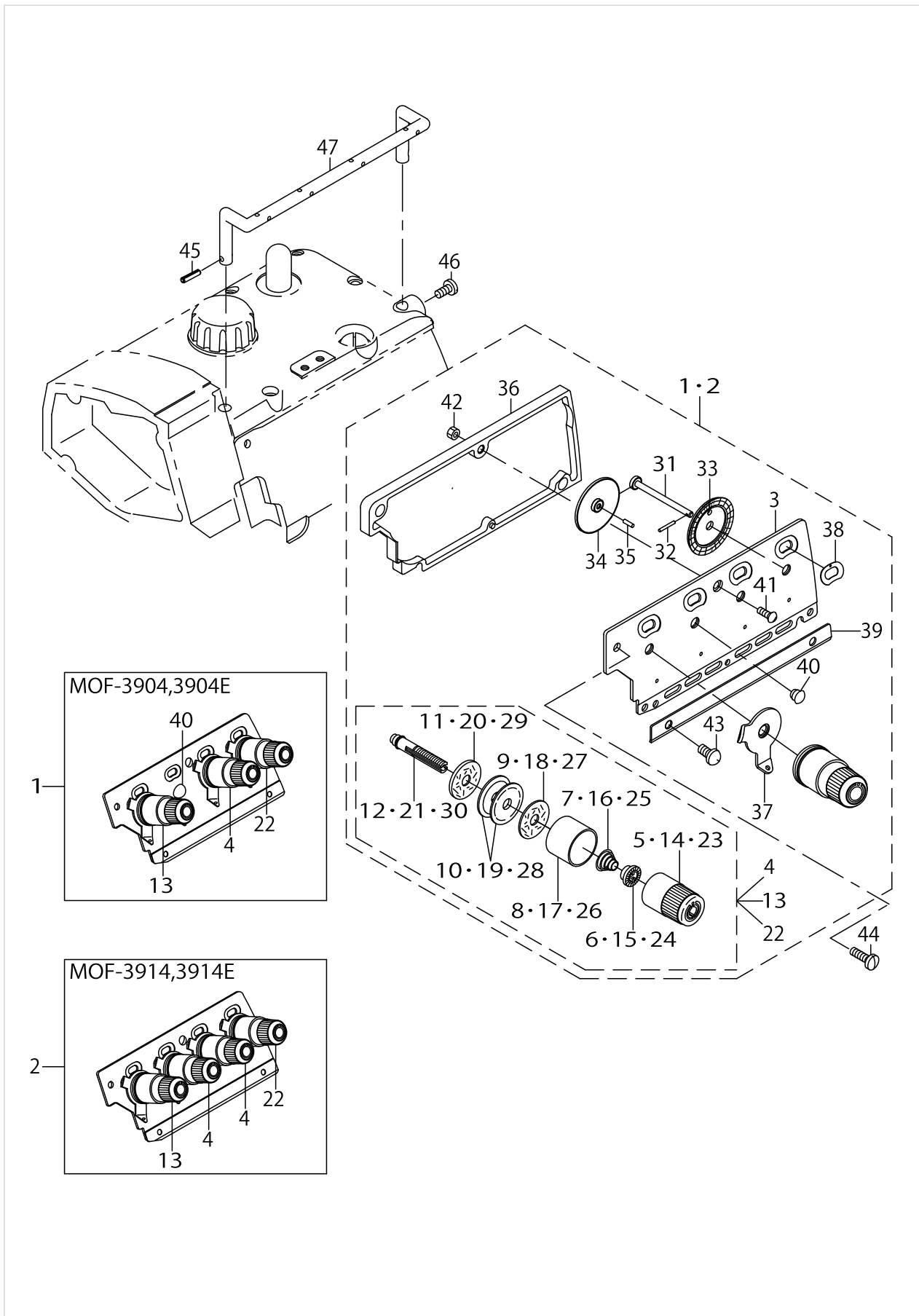
PRESSER FOOT COMPONENTS(2)



PRESSER FOOT COMPONENTS(2)

No.	Supply Code	Parts No.	Replacement	Parts name	Remarks	Choice	Step	Level	Cons	Qty	Rep. QTY
1	D	12305603		PRESSER FOOT ARM						1	
2		B1528804000A		THREAD TRIMMER						1	
3		SS7060510SP		SCREW 3/32-56 L=4.8						1	
4	D	11932068		PRESSER FOOT ASM.	FOR MOF-- 3904,3904E					1	
5		11932456		PRESSER FOOT ASM.	FOR MOF-- 3914,3914E					1	
6		SS7080520SP		SCREW 1/8-44 L=4.9				*		1	
7		WP0371026SD		WASHER 3.7X7X1				*		1	
8		11930906		PRESSER FOOT SPRING				*		1	
9		11925104		PRESSER FOOT HINGE				*		1	
10	R	SS6090650SP	SS6090670TP	SCREW 9/64-40 L=6				*		1	1.00
11		11930500		PRESSER FOOT HINGE PIN	FOR MOF-- 3904,3904E			*		1	
12		11930609		HINGE PIN	FOR MOF-- 3914,3914E			*		1	
13	D	11925914		PRESSER	FOR MOF-- 3904,3904E			*		1	
14	D	11926300		PRESSER FOOT	FOR MOF-- 3914,3914E			*		1	

THREAD TENSION COMPONENTS

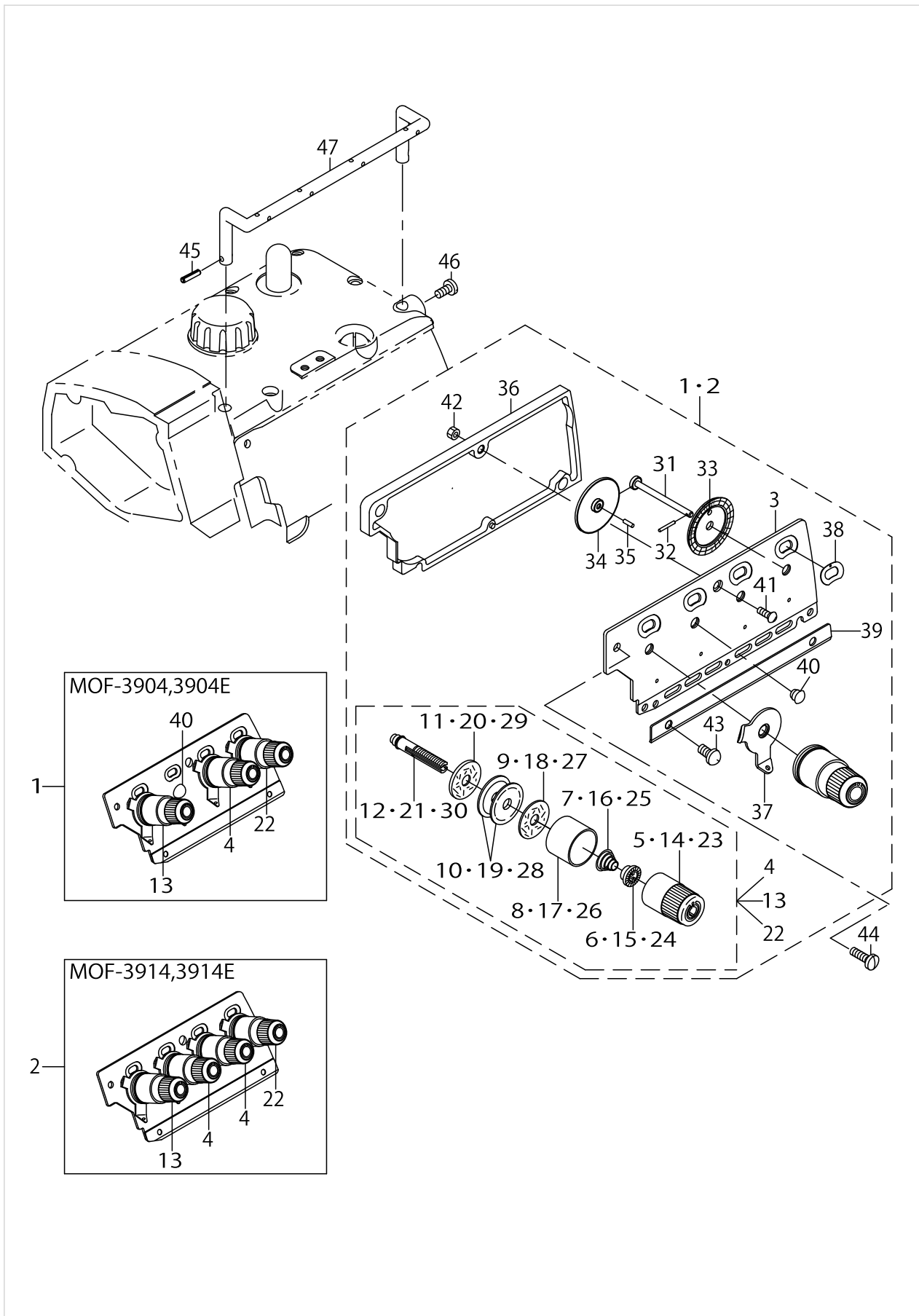


THREAD TENSION COMPONENTS

No.	Supply Code	Parts No.	Replacement	Parts name	Remarks	Choice	Step	Level	Cons	Qty	Rep. QTY
1	D	12180162		THREAD GUIDE PLATE ASM.	FOR MOF-- 3904,3904E					1	
2		12180659		THREAD GUIDE PLATE ASM.	FOR MOF-- 3914,3914E					1	
3		12126207		THREAD GUIDE PLATE				*		1	
4	D	12126967		KNOB ASM.,YELLOW				*		1	
5	D	12126918		KNOB ,YELLOW				*		1	
6		B3112704000		TENSION SPRING BUSHING				*		1	
7		B3102804000		TENSION SPRING, YELLOW				*		1	
8		12126702		TESION DISK PRESSER				*		1	
9	R	B3120704000	13138102	THREAD TENSION SPRING FELT				*		1	1.00
10	R	B3126012000	22921506	THREAD TENSION DISK				*		2	1.00
11	R	B3120352000	13139902	THREAD TENSION SPRING FELT				*		1	1.00
12	D	12126405		THREAD TENSION BAR				*		1	
13	D	12126868		KNOB ASM.,RED				*		1	
14	D	12126819		KNOB ,RED				*		1	
15		B3112704000		TENSION SPRING BUSHING				*		1	
16		B3101804000		TENSION SPRING, RED				*		1	
17		12126702		TESION DISK PRESSER				*		1	
18	R	B3120704000	13138102	THREAD TENSION SPRING FELT				*		1	1.00
19	R	B3126012000	22921506	THREAD TENSION DISK				*		2	1.00
20	R	B3120352000	13139902	THREAD TENSION SPRING FELT				*		1	1.00
21	D	12126405		THREAD TENSION BAR				*		1	
22	D	12127064		KNOB ASM.,BLUE				*		1	
23	D	12127015		KNOB ,BLUE				*		1	
24		B3112704000		TENSION SPRING BUSHING				*		1	
25		B3103804000		TENSION SPRING, BLUE				*		1	
26		12126702		TESION DISK PRESSER				*		1	
27	R	B3120704000	13138102	THREAD TENSION SPRING FELT				*		1	1.00
28	R	B3126012000	22921506	THREAD TENSION DISK				*		2	1.00
29	R	B3120352000	13139902	THREAD TENSION SPRING FELT				*		1	1.00
30	D	12126405		THREAD TENSION BAR				*		1	
31		12127403		SCALE SHAFT				*		1	
32		12127502		SCALE SHAFT PIN				*		1	
33		12127601		SCALE GEAR				*		1	
34	D	12127700		GEAR				*		1	
35		12127809		GEAR SHAFT				*		1	
36		12127957		SCALE CASE ASM.				*		1	
37		12126504		NEEDLE THREAD GUIDE				*		1	
38		12128203		SCALE SIDE PLATE				*		1	
39		12128302		THREAD LOOPER GUIDE				*		1	
40		TA0620504R0		CAP	FOR MOF-- 3904,3904E			*		1	
41	D	SS2090830SL		SCREW				*		1	
42		NS6090310SP		NUT 9/64-40				*		1	
43		SS7110740TL		SCREW 11/64-40 L= 7.0				*		1	
44		SM4041455SN		SCREW M4 L=14				*		2	
45		PS0300132KH		SPRING PIN 3X13				*		1	



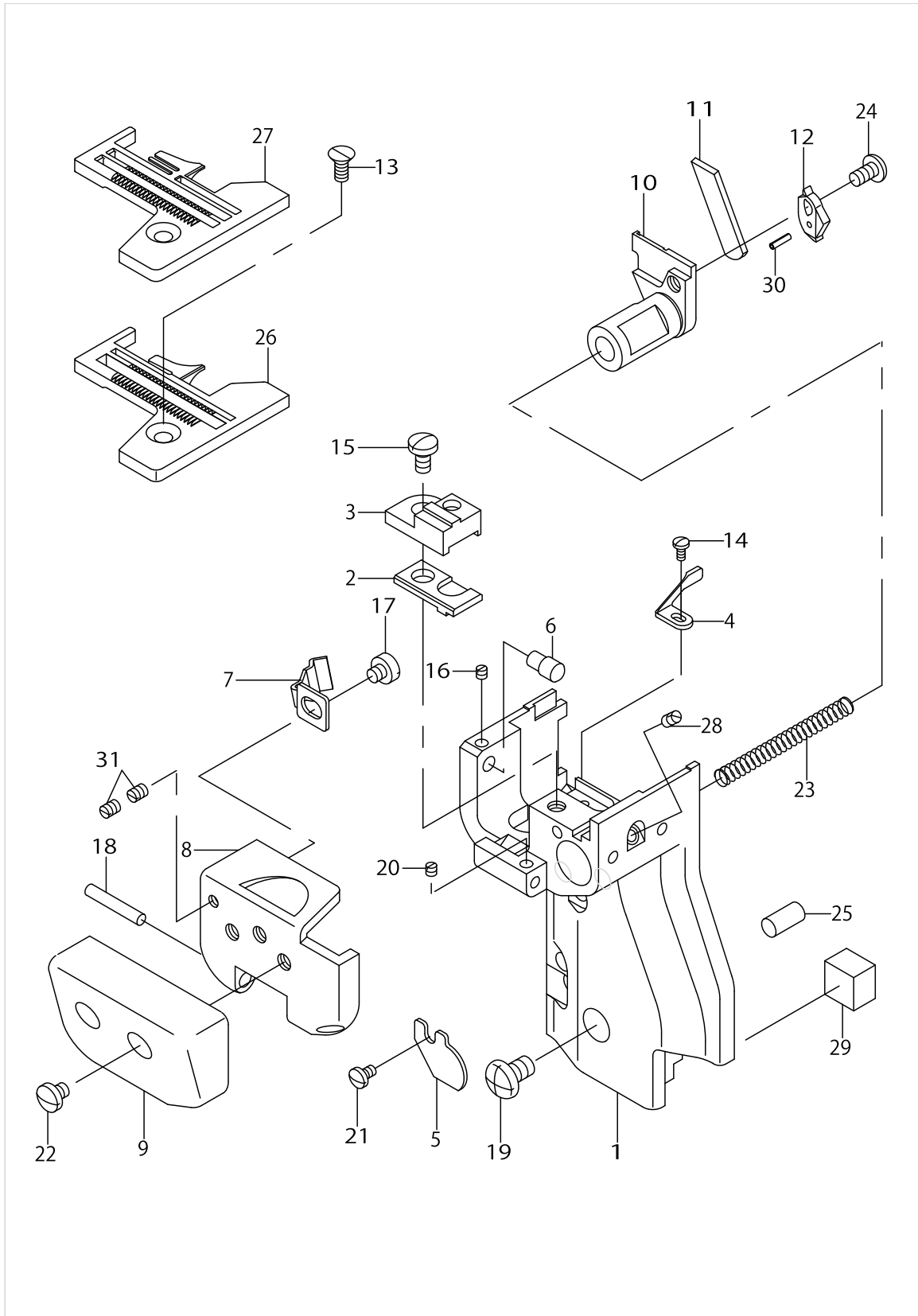
THREAD TENSION COMPONENTS



THREAD TENSION COMPONENTS

No.	Supply Code	Parts No.	Replacement	Parts name	Remarks	Choice	Step	Level	Cons	Qty	Rep. QTY
46		SS7110910TP		SCREW 11/64-40 L= 8.5						1	
47		12126108		CENTER THREAD GUIDE						1	

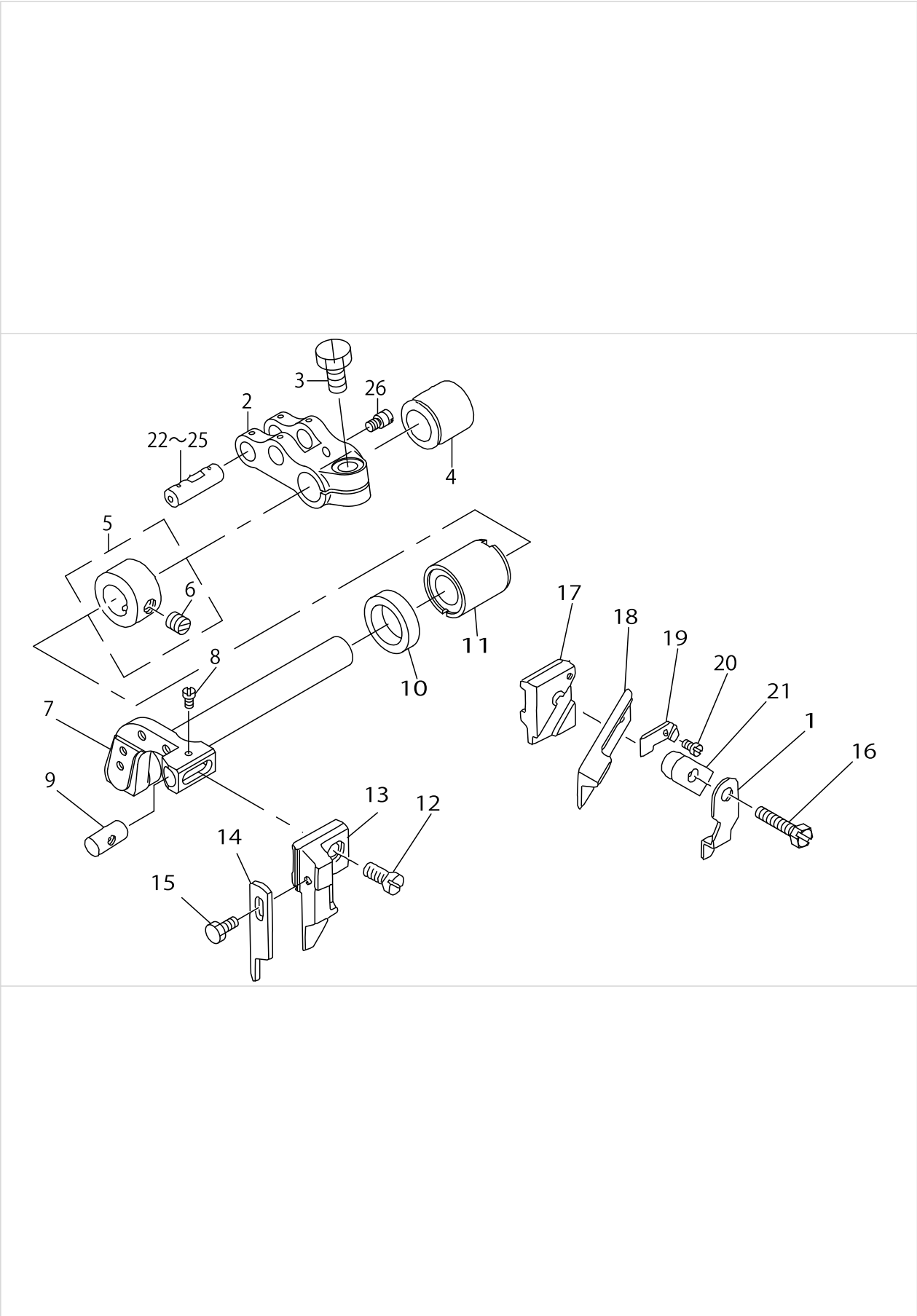
LOWER KNIFE COMPONENTS



LOWER KNIFE COMPONENTS

No.	Supply Code	Parts No.	Replacement	Parts name	Remarks	Choice	Step	Level	Cons	Qty	Rep. QTY
1		12219101		CYLINDER BRACKET						1	
2		12219903		THRORT PLATE BASE, LOWER						1	
3		12219804		THRORT PLATE BASE, UPPER						1	
4		12240701		NEEDLE GUARD						1	
5	R	12220109	31261100	SPRING STOPPER						1	1.00
6	R	12219606	31260607	PIN						1	1.00
7		12219507		SPRING						1	
8		12219200		COVER BASE						1	
9	R	12219358	31260359	CYLINDER COVER ASM.						1	1.00
10	R	12220000	31261001	LOWER KNIFE SLIDE STUD						1	1.00
11		12220307		LOWER KNIFE						1	
12		12220208		LOWER KNIFE PRESSER PRATE						1	
13		SS2110910SL		SCREW 11/64-40 L=9						1	
14		SS7060510SP		SCREW 3/32-56 L=4.8						1	
15		SS7110840SP		SCREW 11/64-40 L=7.8						1	
16		SS8080310TP		SCREW 1/8-44 L=2.8						1	
17		SS6110480SP		SCREW 11/64-40 L=4.3						1	
18		11111705		WIPER SOLENOID PIN						1	
19		SM4050855SP		SCREW						3	
20		SS8080310TP		SCREW 1/8-44 L=2.8						1	
21		SS7080520SP		SCREW 1/8-44 L=4.9						1	
22		SS7110510SP		SCREW 11/64-40 L=5						2	
23	R	12220505	31261209	SPRING						1	1.00
24		SS4110815SP		SCREW 11/64-40 L=8						1	
25		12219705		PIN						2	
26		R4200K0ED00		THROAT PLATE	FOR MOF-- 3904,3904E					1	
27	R	R4305K0EE00	R4305K6EE00	THROAT PLATE	FOR MOF-- 3914,3914E					1	1.00
28		SS8110422TP		SCREW 11/64-40 L=4						1	
29		12220604		BRACKET						1	
30		PS0150065KP		SPRING PIN 1.5X6						1	
31		SS8080410TP		SCREW 1/8-44 L=3.5						2	

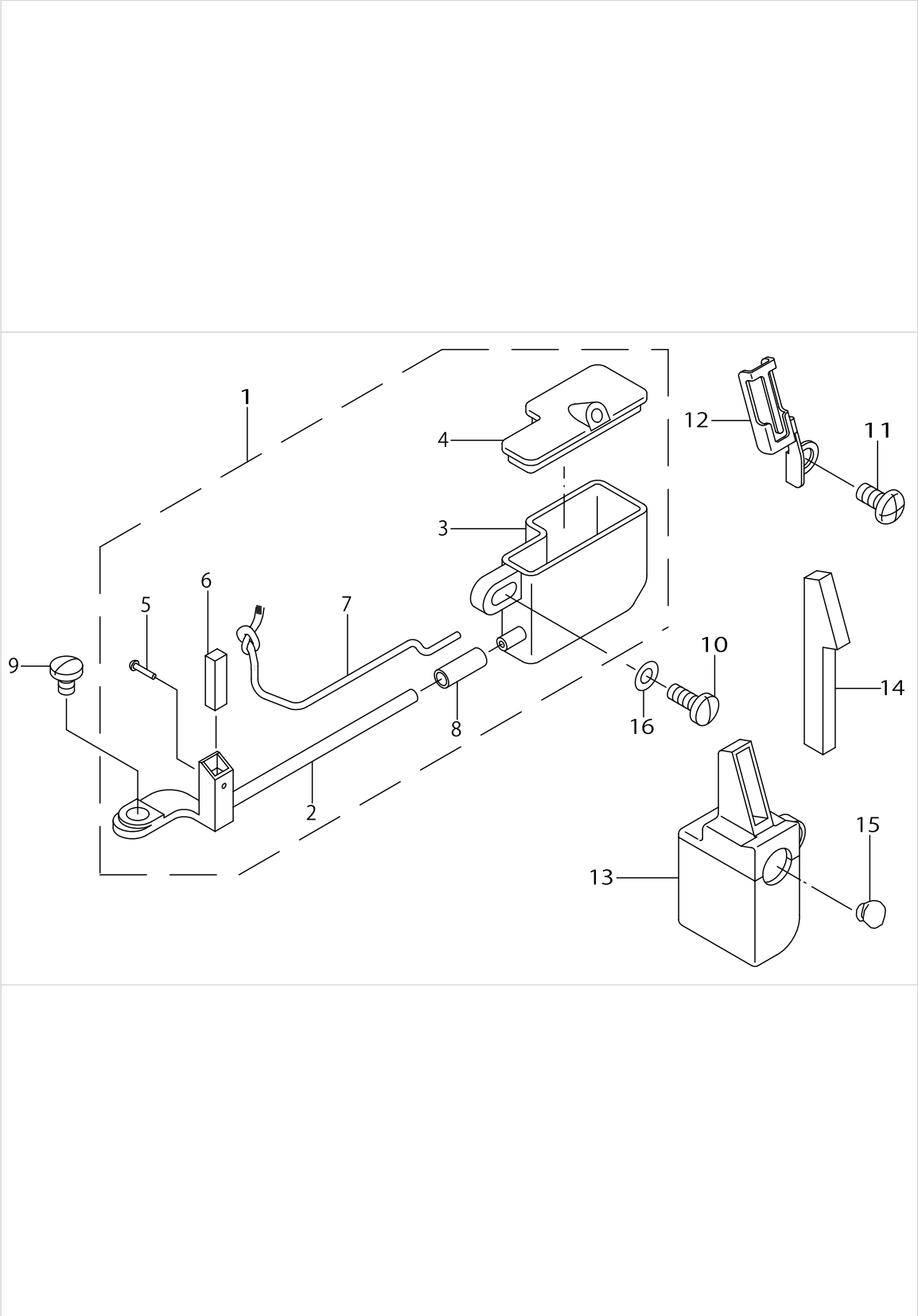
UPPER KNIFE COMPONENTS



UPPER KNIFE COMPONENTS

No.	Supply Code	Parts No.	Replacement	Parts name	Remarks	Choice	Step	Level	Cons	Qty	Rep. QTY
1		11848405		UPPER KNIFE COVER	FOR MOF-- 3904,MOF-- 3914 (FOR EXPORT)					1	
2	R	12318002	31215957	UPPER KNIFE DRIVING ARM						1	1.00
3		SM9061250TP		SCREW M6 L=12						1	
4	R	12132502	13151006	BUSHING, REAR						1	1.00
5		CS111101HSH		THRUST COLLAR ASM.						1	
6		SS8660330SP		SCREW 1/4-40 L=3.0				*		1	
7	R	12318101	31216005	KNIFE ARM SHAFT						1	1.00
8		SS4060310SP		SCREW 3/32-56 L=2.5	FOR MOF-- 3904,MOF-- 3914 (FOR EXPORT)					1	
9	R	11565801	13150800	UPPER KNIFE GUIDE SHAFT						1	1.00
10		11566809		OIL SEAL						1	
11	R	12309803	13277405	SHAFT METAL(FRONT)						1	1.00
12		SS6111040SP		SCREW 11/64-40 L= 9.5	FOR MOF-- 3904,MOF-- 3914 (FOR JAPAN)					1	
13	R	12133302	13147400	UPPER KNIFE SUPPORT A	FOR MOF-- 3904,MOF-- 3914 (FOR JAPAN)					1	1.00
14		11845609		KNIFE	FOR MOF-- 3904,MOF-- 3914 (FOR JAPAN)					1	
15		SS9090823TP		BOLT 9/64-40 L=8	FOR MOF-- 3904,MOF-- 3914 (FOR JAPAN)					1	
16		SS9111610SP		SCREW 11/64-40L=16	FOR MOF-- 3904,MOF-- 3914 (FOR EXPORT)					1	
17		11598000		UPPER KNIFE SUPPORT	FOR MOF-- 3904,MOF-- 3914 (FOR EXPORT)					1	
18		11845807		UPPER KNIFE	FOR MOF-- 3904,MOF-- 3914 (FOR EXPORT)					1	
19		11565702		WASHER	FOR MOF-- 3904,MOF-- 3914 (FOR EXPORT)					1	
20		SS4060310SP		SCREW 3/32-56 L=2.5	FOR MOF-- 3904,MOF-- 3914 (FOR EXPORT)					1	
21		11565504		UPPER KNIFE PRESSER PLATE	FOR MOF-- 3904,MOF-- 3914 (FOR EXPORT)					1	
22		11823804		CRANK PIN C	SELECTING PART FOR FIT TOLERANCE					1	
23		11823606		CRANK PIN	SELECTING PART FOR FIT TOLERANCE					1	
24		11823705		CRANK PIN B	SELECTING PART FOR FIT TOLERANCE					1	
25		11823903		CRANK PIN D	SELECTING PART FOR FIT TOLERANCE					1	
26	R	B2024771000	40009196	SUSPENSION SCREW						1	1.00

NEEDLE COOLING MECHANISM COMPONENTS

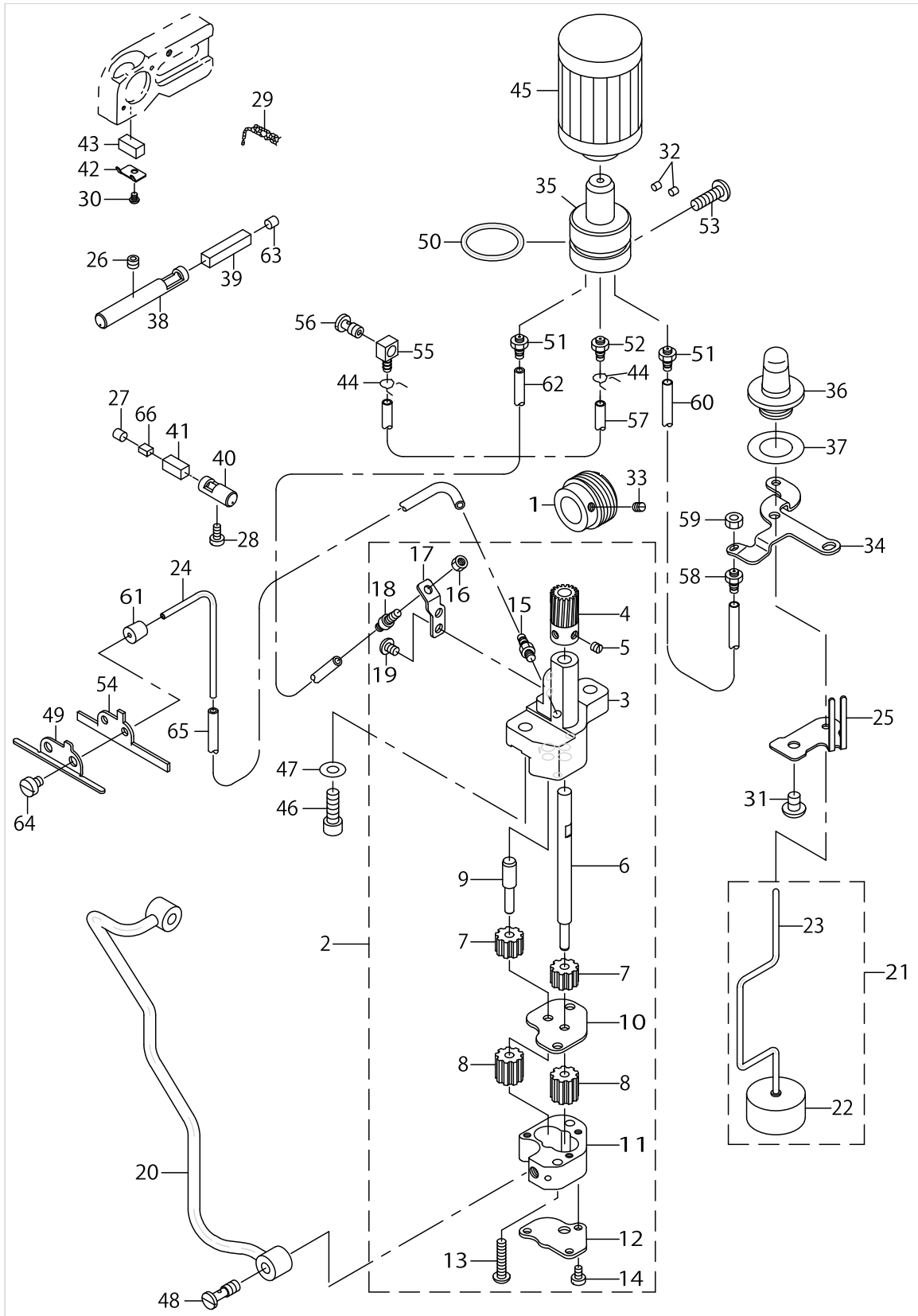


NEEDLE COOLING MECHANISM COMPONENTS

No.	Supply Code	Parts No.	Replacement	Parts name	Remarks	Choice	Step	Level	Cons	Qty	Rep. QTY
1		12224655		NEEDLE COOLER TANK ASM.						1	
2		12224853		NEEDLE COOLER ASM.				*		1	
3		12224606		TANK				*		1	
4		12224705		TANK COVER				*		1	
5		11856101		NEEDLE COOLER PIN				*		1	
6		12225009		FELT				*		1	
7		CQ20000000		OIL WICK				*		0.15	
8		BT0400251ED		TUBE HOSE, GREEN				*		0.01	
9		SS7090540TP		SCREW 9/64-40 L=5						1	
10	R	SS7090910SP	SS7090910TP	SCREW 9/64-40 L=8.5						1	1.00
11		SM4040855SP		SCREW						1	
12		12138400		PRESSER						1	
13	R	12138152	13163456	SILICON TANK ASM.						1	1.00
14	R	12138301	13163803	FELT						1	1.00
15		TA0950806R0		RUBBER PLUG						1	
16		WP0371026SD		WASHER 3.7X7X1						1	



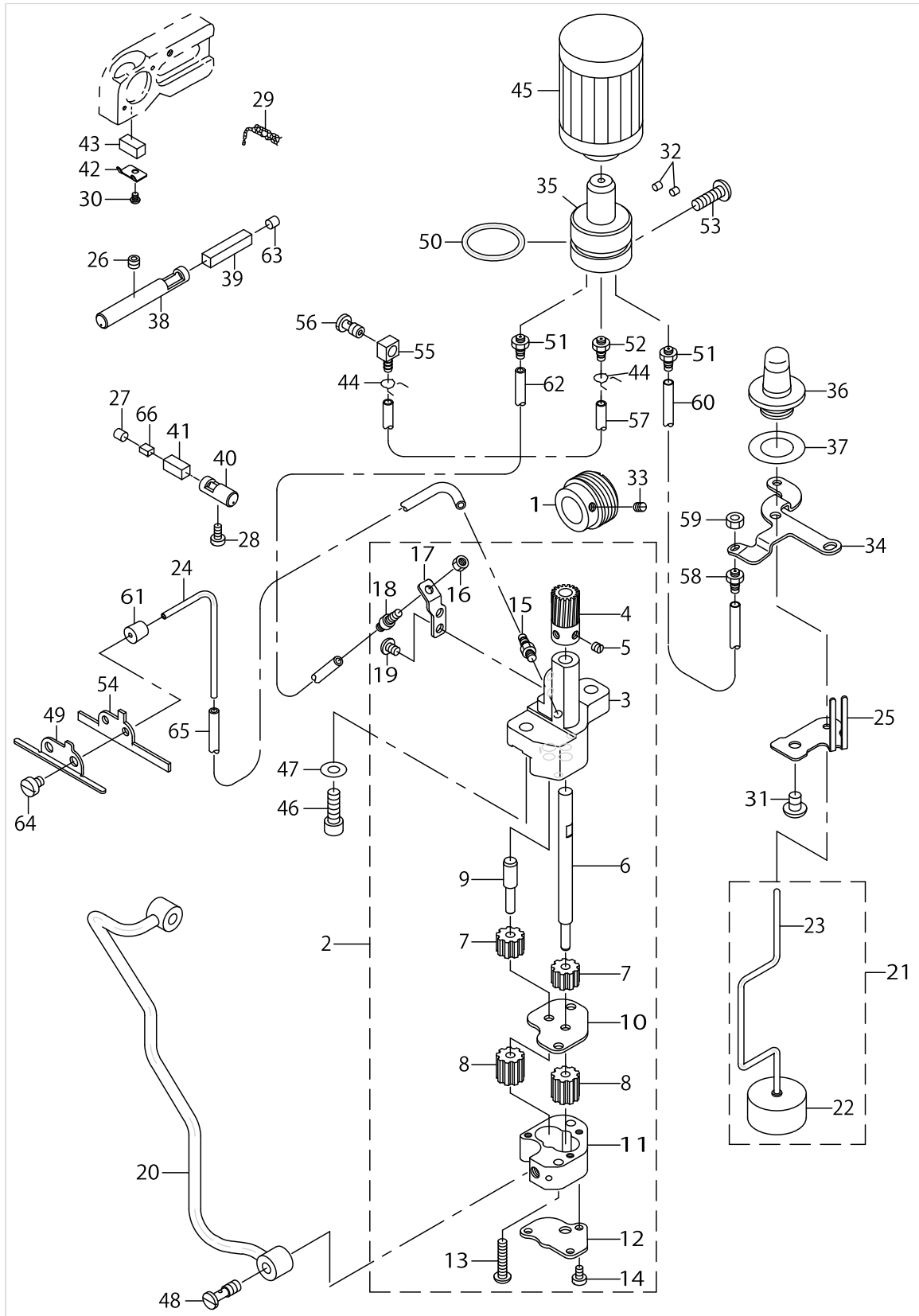
# LUBRICATION MECHANISM COMPONENTS



LUBRICATION MECHANISM COMPONENTS

No.	Supply Code	Parts No.	Replacement	Parts name	Remarks	Choice	Step	Level	Cons	Qty	Rep. QTY
1		12315008		WORM						1	
2	R	12293957	40018045	LUBRICATING PUMP BODY ASM.						1	1.00
3	R	12315909	40018044	OIL PUMP				*		1	1.00
4	R	12256103	13343009	WORM GEAR				*		1	1.00
5		SS8110410TP		SCREW 11/64-40 L= 3.5				*		2	
6	R	11918109	40018044	GEAR PUMP SHAFT LARGE				*		1	1.00
7	R	B3534352000	13228309	PINION GEAR				*		2	1.00
8		11840303		OIL PUMP PINION				*		2	
9	R	12317004	40018044	GEAR PUMP SHAFT		A	MO6700/6900G	*		1	1.00
9	R	12317004	40018045	GEAR PUMP SHAFT		B	MO6900R/6900J	*		1	1.00
10	R	12316006	40018044	PINION SPACER				*		1	1.00
11	D	12316105		CASING				*		1	
12	R	12316204	40018044	COVER				*		1	1.00
13		SS4112215SP		SCREW11/64-40L=22				*		2	
14	R	SS6090650SP	SS6090670TP	SCREW 9/64-40 L=6				*		3	1.00
15		SQ1110401MZ		CONNECTING SCREW				*		1	
16		NS6110310SP		NUT 11/64-40				*		1	
17		12129318		CONNECTING SCREW BRACKET				*		1	
18		SQ1110451MZ		CONNECTING SCREW				*		1	
19		SS4110615SP		SCREW 11/64-40 L=6				*		2	
20		12293551		LUBRICATING PIPE ASM.						1	
21		12293759		FLOAT ASM.						1	
22		12129805		FLOAT				*		1	
23		12293700		OIL QUANTITY INDICATION BAR				*		1	
24		12293601		ONCE THROUGH OIL PIPE						1	
25		12293809		FLOAT SUPPORT						1	
26		SM8050402TP		SCREW						1	
27		TA0400301M0		PLUG D=4X4.5 L=3						1	
28		SS6121020SP		SCREW 3/16-28 L=9.5						1	
29		CQ202000000		OIL WICK						.06	
30		SS7060310SP		SCREW 3/32-56 L=3						1	
31		SM4060801SE		SCREW						1	
32		TA0290301M0		RUBBER PLUG						2	
33		SS8110520TP		SCREW 11/64-40 L= 4.5						1	
34		12315800		OILING EXIT SUPPORT						1	
35	D	12129706		FILTER GUIDE						1	
36	R	12130100	13143300	OIL GAUGE						1	1.00
37	D	12130209		RUBBER PACKING						1	
38		12130308		OILING PIN						1	
39	R	12130407	13144209	OIL FELT						1	1.00
40		12130506		OILING PIN						1	
41	R	12130605	13143508	OIL FELT						1	1.00
42	R	12130704	13143607	FELT HOLDER						1	1.00
43	R	12130803	13143706	OIL FELT						1	1.00
44		10126803		OIL TUBE HOLDER						2	
45	R	11843208	13142500	CARTRIDGE FILTER						1	1.00

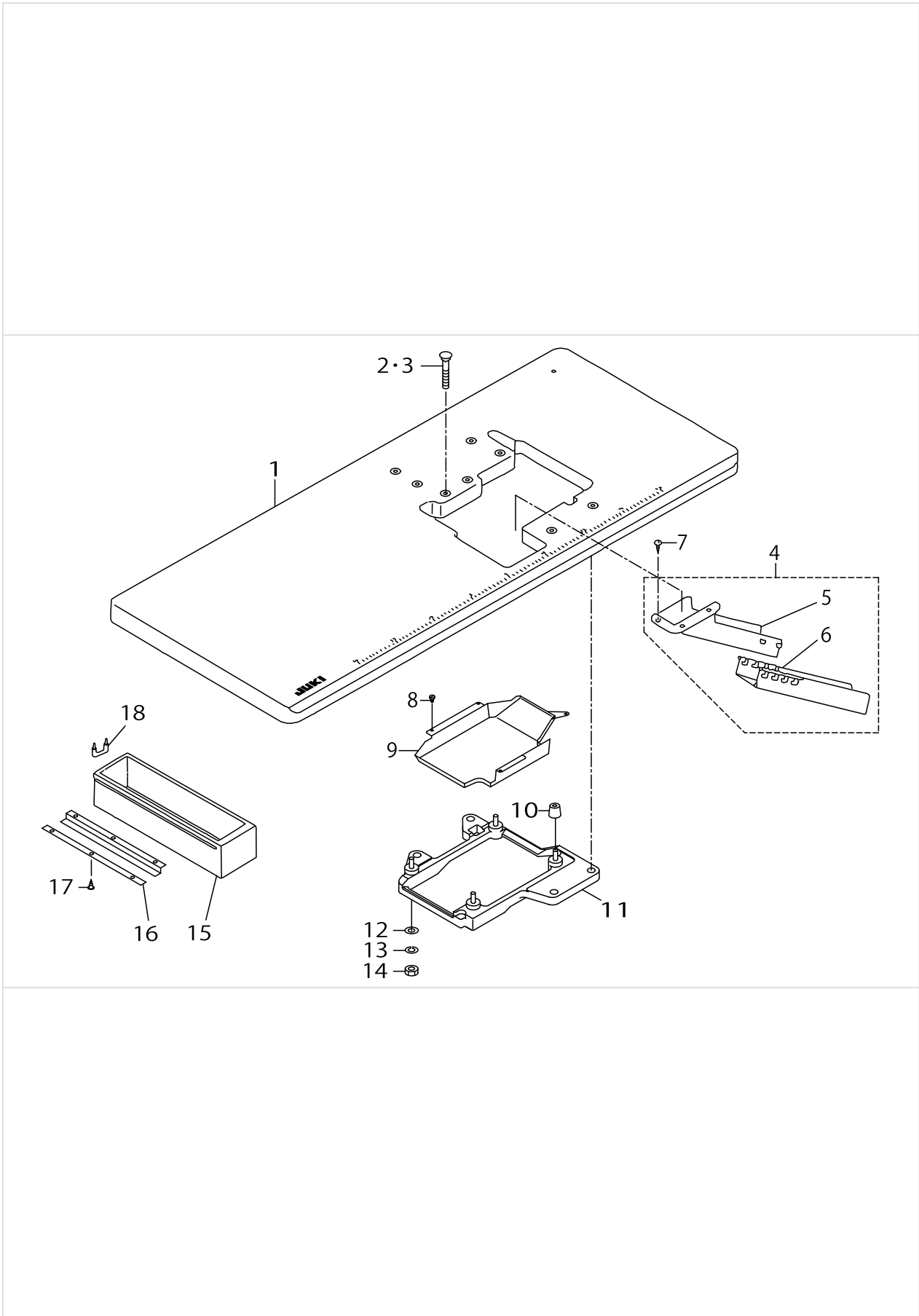
# LUBRICATION MECHANISM COMPONENTS



LUBRICATION MECHANISM COMPONENTS

No.	Supply Code	Parts No.	Replacement	Parts name	Remarks	Choice	Step	Level	Cons	Qty	Rep. QTY
46		SM6061802TP		SCREW M6 L=18						2	
47		WP0651056SD		WASHER 6.5X11X1						2	
48		SQ1150454SD		CONNECTING SCREW						2	
49		12315503		ONCE THROUGH OIL FELT PRESSER						1	
50	D	RO218240100		RUBBER RING						1	
51		SQ1110451MZ		CONNECTING SCREW						2	
52		SQ1150451MZ		CONNECTING SCREW						1	
53		SM4051601SC		SCREW M5X0.8 L=16						1	
54	D	12315602		FELT						1	
55		SQ0000451MZ		CONNECTING SCREW						1	
56		SQ1150441SD		CONNECTING SCREW						1	
57		BT0500300EG		OIL TUBE						.22	
58		SQ1110451MZ		CONNECTING SCREW						1	
59		NS6110310SP		NUT 11/64-40						1	
60		BT0500300EA		OIL TUBE						.14	
61		11815107		OIL WICK COVER BUSHING						1	
62		BT0500300EG		OIL TUBE						.25	
63		TA0400301M0		PLUG D=4X4.5 L=3						1	
64		SS6120620TP		SCREW						2	
65		BT0500300EG		OIL TUBE						.25	
66		12215802		LUBRICATING LIMIT FELT						1	

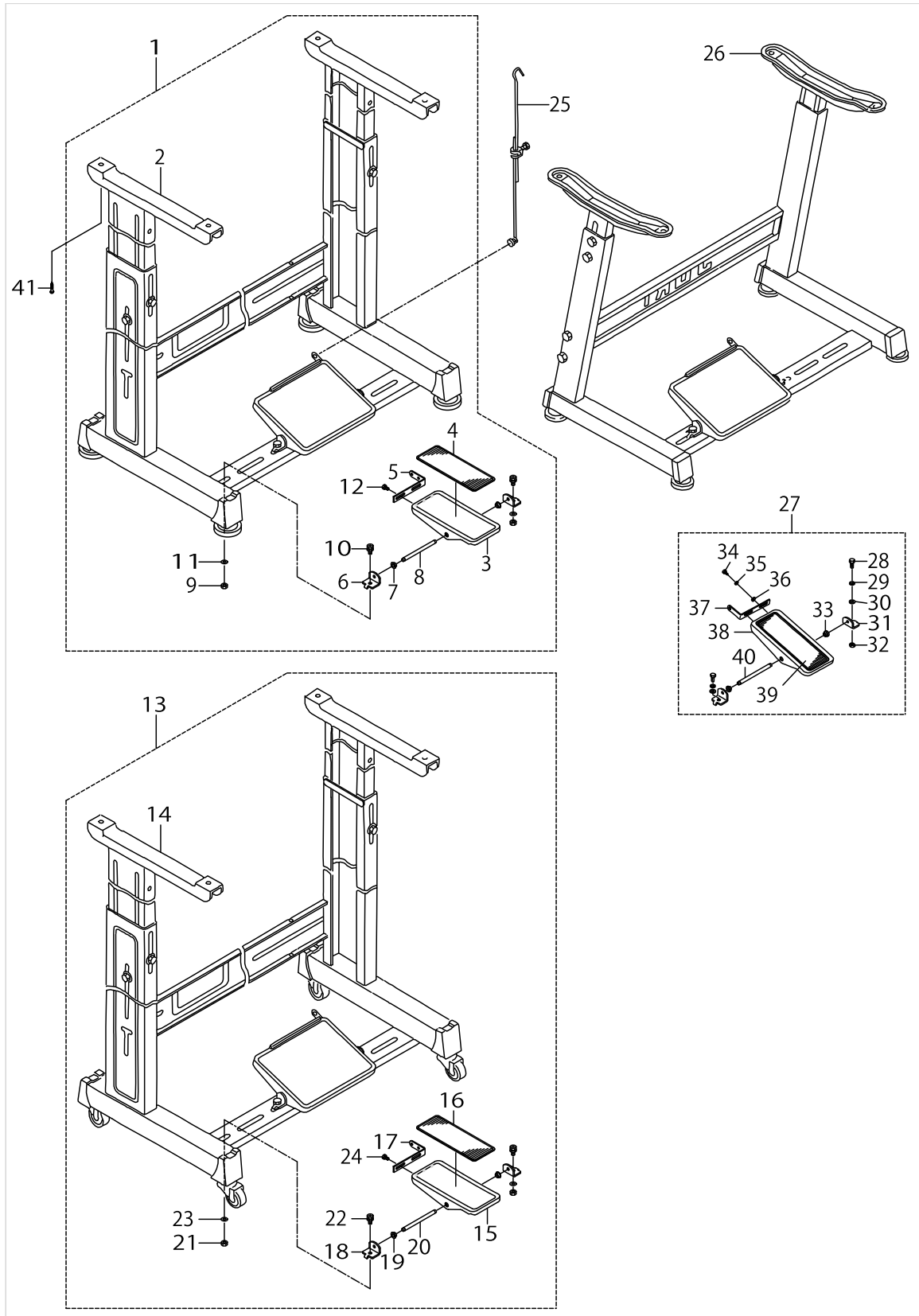
SEMI-SUNKEN TYPE TABLE COMPONENTS



SEMI-SUNKEN TYPE TABLE COMPONENTS

No.	Supply Code	Parts No.	Replacement	Parts name	Remarks	Choice	Step	Level	Cons	Qty	Rep. QTY
1	D	12221602		TABLE(SEMI-SUNKEN)						1	
2	R	11966702	13155007	BOLT A	FOR JAPAN					4	1.00
3	R	11571601	MAS10704000	BOLT A	FOR EXPORT					4	1.00
4	D	11960150		CLOTH WASTE CHUTE ASM.(BENCH)						1	
5	D	11960101		CLOTH WASTE CHUTE,UPPER(BENCH)				*		1	
6	R	11960002	12341806	CLOTH WASTE CHUTE,LOWER(BENCH)				*		1	1.00
7		SK2351600SC		WOOD SCREW D=3.5 L=16						3	
8	R	SS6090630SP	SS6090630TP	SCREW 9/64-40 L=6						4	1.00
9		12221800		COOLING FAN CASE						1	
10	R	11571403	13155403	RUBBER CUSHION						4	1.00
11		12221750		FRAME SUPPORT PLATE ASM.						1	
12		WP1102016SC		WASHER 11X21X2						4	
13		WS1002560KR		SPRING WASHER 10X18X2.5						4	
14	R	NS6240630SN	NS6240630SE	NUT 3/8-18						4	1.00
15	R	11155108	11155157	DRAWER						1	1.00
16		11155207		DRAWER SUPPORT						2	
17	D	SK3311500SC		WOOD SCREW D=3.1 L=15						6	
18		D8204555D00		DRAWER STOPPER						1	

STAND COMPONENTS(ZAET)

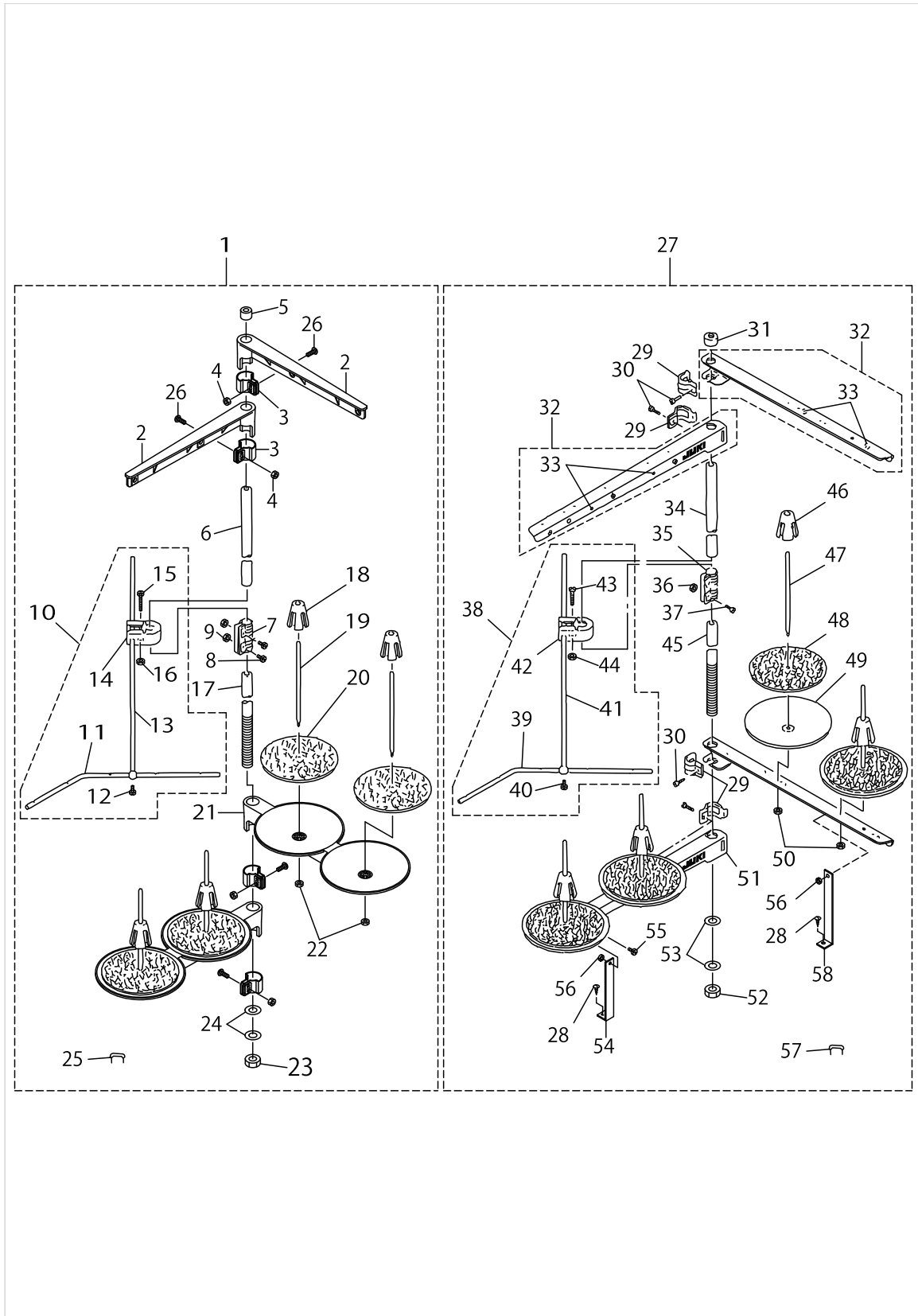


STAND COMPONENTS(ZAET)

No.	Supply Code	Parts No.	Replacement	Parts name	Remarks	Choice	Step	Level	Cons	Qty	Rep. QTY
1		11960655		T STAND JUNCTION	FOR JAPAN					1	
2		11157567		T LEG JUNCTION				*		1	
3	R	GPF06060000	GPF060600A0	PEDAL				*		1	1.00
4		GPF06070000		PEDAL MAT				*		1	
5		GPF06080000		PEDAL ADJUSTING PLATE				*		1	
6		11159001		PEDAL SHAFT BRACKET				*		2	
7		D8113555B00		PEDAL BUSHING				*		2	
8		B8153771000		PEDAL CONNECTING ROD				*		1	
9		NM6080721SE		NUT M8				*		2	
10		SL9082091SE		WASHER HEXAGONAL BOLT				*		2	
11		WP0871602SE		WASHER 8.7X18X1.6				*		2	
12		SL9061291SE		WASHER HEXAGONAL BOLT M6 L=12				*		2	
13	R	11960754	11159407	T STAND JUNCTION(WITH CASTER)	SELECTIVE PART(FOR JAPAN)	A				1	4.00
13	R	11960754	11960655	T STAND JUNCTION(WITH CASTER)	SELECTIVE PART(FOR JAPAN)	A				1	1.00
14		11159365		T STAND JUNCTION				*		1	
15	R	GPF06060000	GPF060600A0	PEDAL				*		1	1.00
16		GPF06070000		PEDAL MAT				*		1	
17		GPF06080000		PEDAL ADJUSTING PLATE				*		1	
18		11159001		PEDAL SHAFT BRACKET				*		2	
19		D8113555B00		PEDAL BUSHING				*		2	
20		B8153771000		PEDAL CONNECTING ROD				*		1	
21		NM6080721SE		NUT M8				*		2	
22		SL9082091SE		WASHER HEXAGONAL BOLT				*		2	
23		WP0871602SE		WASHER 8.7X18X1.6				*		2	
24		SL9061291SE		WASHER HEXAGONAL BOLT M6 L=12				*		2	
25		B71140120A0		MOTOR CONNECTING ROD ASM.						1	
26	D	11151065		Z LEG JUNCTION (B)	FOR EXPORT					1	
27	D	B81517710A0		PEDAL ASM.	FOR EXPORT					1	
28		SM9082023SE		SCREW M8 L=20				*		2	
29		WS0861410KR		SPRING WASHER 8.6X15X1.4				*		2	
30		WP0871602SE		WASHER 8.7X18X1.6				*		4	
31		D8114555B0E		PEDAL SHAFT BRACKET				*		2	
32		NM6080721SE		NUT M8				*		2	
33		D8113555B00		PEDAL BUSHING				*		2	
34		SM9061203SE		SCREW M6 L=12				*		2	
35		WS0621210KR		SPRING WASHER 6.2X11.4X1.2				*		2	
36		WP0671016SE		WASHER 6.7X13X1				*		2	
37		D8125772B00		PEDAL ADJUSTING PLATE				*		1	
38	D	B8151771000		PEDAL				*		1	
39		B8152771000		PEDAL MAT				*		1	
40		B8153771000		PEDAL CONNECTING ROD				*		1	
41	R	SK3513200SC	SK3513201SE	WOOD SCREW D=5.1 L=32						4	1.00



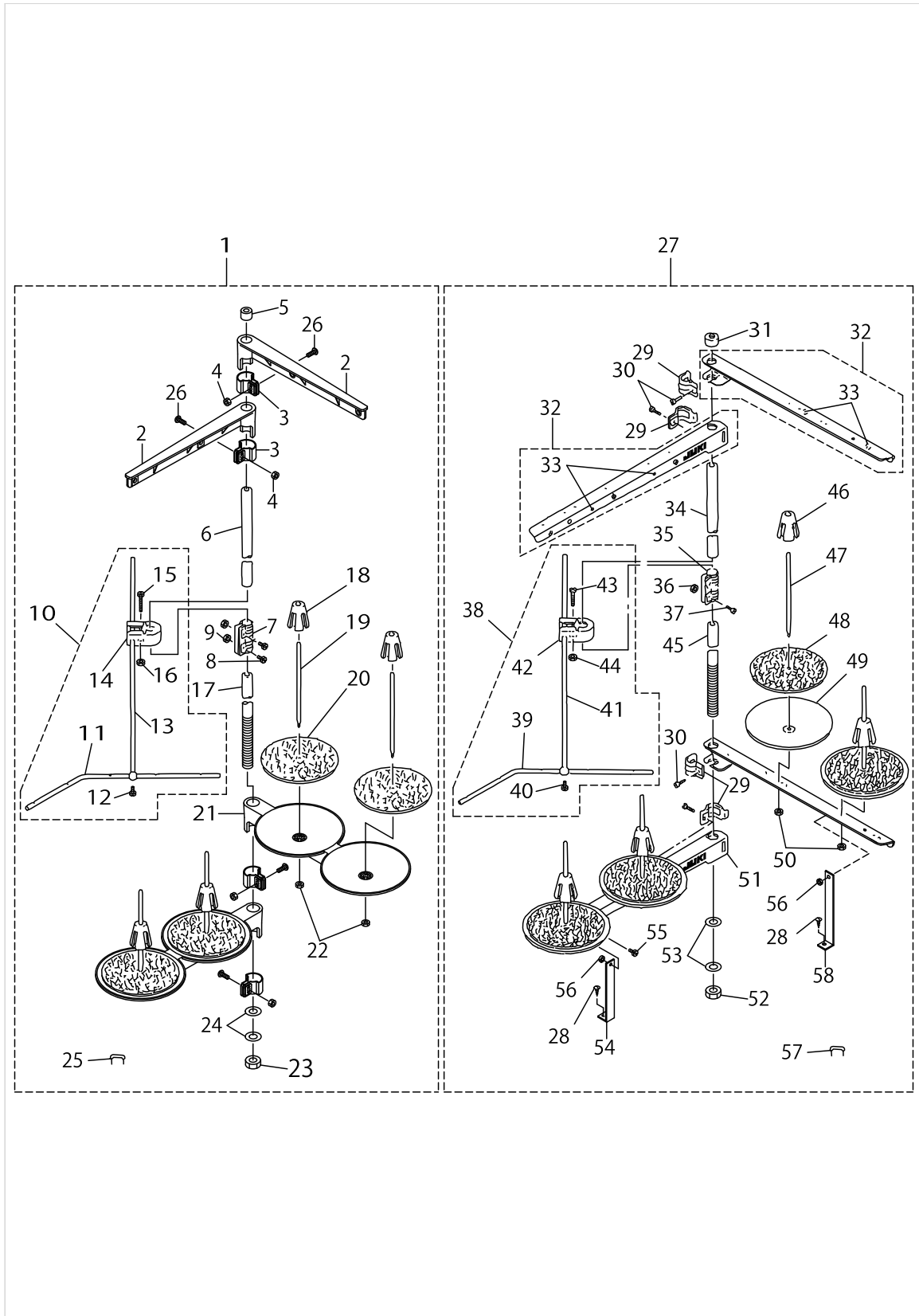
THREAD STAND COMPONENTS(FOR MOF-3904,3904E,3914,3914E)



THREAD STAND COMPONENTS(FOR MOF-3904,3904E,3914,3914E)

No.	Supply Code	Parts No.	Replacement	Parts name	Remarks	Choice	Step	Level	Cons	Qty	Rep. QTY
1	R	11969458	40106584	THREAD STANDING DEVICE ASM.						1	1.00
2	R	11185352	40096354	THREAD GUIDE ASM.				*		2	1.00
3	R	11185402	40096354	THREAD GUIDE ARM JOINT				*		4	1.00
4		NM6050001SE		NUT M5				*		4	
5	R	B3311704000	22931406	SPOOL REST ROD CAP				*		1	1.00
6	R	11185204	40096354	SPOOL REST ROD,UPPER				*		1	1.00
7	R	B3305704000A	40096354	SPOOL REST ROD JOINT				*		1	1.00
8		SM4051405SE		SCREW M5 L=14				*		2	
9		NM6050001SE		NUT M5				*		2	
10	R	B33097040A0	26910059	THREAD GUIDE ARM ASM.				*		1	1.00
11	R	B3311804000	26910059	LOWER THREAD GUIDE				*		1	1.00
12		SS7110540SP		SCREW 11/64-40 L=5				*		1	
13	R	B3309704000	26910059	THREAD GUIDE ARM				*		1	1.00
14	D	B3304704000A		THREAD GUIDE ARM HOLDER				*		1	
15	D	SM6053000SE		SCREW M5X0.8 L=30				*		1	
16		NM6050001SE		NUT M5				*		1	
17	R	11185105	40096354	SPOOL REST ROD,LOWER				*		1	1.00
18	D	11185501		SPOOL RETAINER				*		4	
19	R	B3320704L00A	40085790	SPOOL PIN				*		4	1.00
20	D	B3311012000		SPOOL REST CUSHION				*		4	
21	D	11185006		SPOOL REST ARM				*		2	
22		NM6050001SE		NUT M5				*		4	
23	R	B3317704000	NM6160511SE	NUT				*		1	1.00
24		WP1612616SE		WASHER 16X30X2.6				*		2	
25		MAO11532000		CORD STAPLE				*		3	
26		SM4051405SE		SCREW M5 L=14				*		4	
27	R	11969953	40106587	THREAD STANDING DEVICE ASM.	SPECIAL ORDER PART FOR LARGE SPOOL THREAD STAND (FOR JE)					1	1.00
28		SK3382001SE		SCREW D=3.8 L=20				*		2	
29		B3318704L00A		THREAD GUIDE ARM JOINT				*		4	
30		SM6061610SC		SCREW M6 L=16				*		4	
31	R	B3311704000	22931406	SPOOL REST ROD CAP				*		1	1.00
32	R	11969573	13168851	SPOOL REST ARM A ASM.				*		2	1.00
33	R	B3319704L00	22931208	THREAD GUIDE				*		4	1.00
34	R	11185204	40096354	SPOOL REST ROD,UPPER				*		1	1.00
35	R	B3305704000A	40096354	SPOOL REST ROD JOINT				*		1	1.00
36		NM6050001SE		NUT M5				*		2	
37		SM4051405SE		SCREW M5 L=14				*		2	
38	R	B33097040A0	26910059	THREAD GUIDE ARM ASM.				*		1	1.00
39	R	B3311804000	26910059	LOWER THREAD GUIDE				*		1	1.00
40		SS7110540SP		SCREW 11/64-40 L=5				*		1	
41	R	B3309704000	26910059	THREAD GUIDE ARM				*		1	1.00
42	D	B3304704000A		THREAD GUIDE ARM HOLDER				*		1	
43	D	SM6053000SE		SCREW M5X0.8 L=30				*		1	

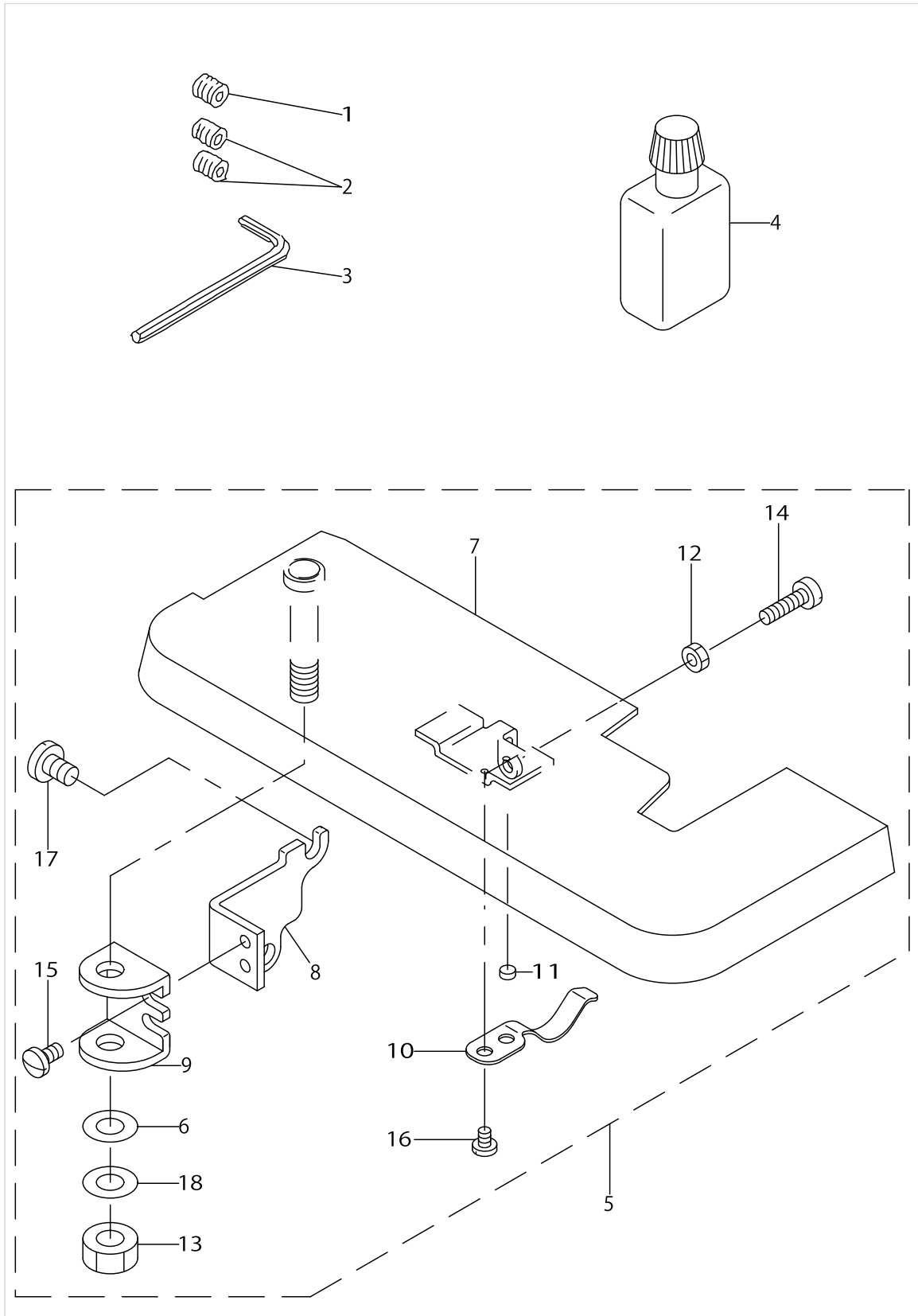
THREAD STAND COMPONENTS(FOR MOF-3904,3904E,3914,3914E)



THREAD STAND COMPONENTS(FOR MOF-3904,3904E,3914,3914E)

No.	Supply Code	Parts No.	Replacement	Parts name	Remarks	Choice	Step	Level	Cons	Qty	Rep. QTY
44		NM6050001SE		NUT M5				*		2	
45	R	11185105	40096354	SPOOL REST ROD,LOWER				*		1	1.00
46	D	11185501		SPOOL RETAINER				*		4	
47	R	B3320704L00A	40085790	SPOOL PIN				*		4	1.00
48	D	B3311012000		SPOOL REST CUSHION				*		4	
49	R	11966504	22930804	SPOOL REST				*		4	1.00
50		NM6050001SE		NUT M5				*		4	
51	R	11969508	13168802	SPOOL REST ARM A				*		2	1.00
52	R	B3317704000	NM6160511SE	NUT				*		1	1.00
53		WP1612616SE		WASHER 16X30X2.6				*		2	
54		B3321704L00		SPOOL REST ARM SUPPORT, A				*		1	
55		SM4061201SE		SCREW M6 L=12				*		2	
56		NM6060001SE		NUT M6				*		2	
57		MAO11532000		CORD STAPLE				*		3	
58	D	B3321704LOB		SPOOL REST ARM SUPPORT, B				*		1	

SPECIAL ORDER PARTS COMPONENTS



SPECIAL ORDER PARTS COMPONENTS

No.	Supply Code	Parts No.	Replacement	Parts name	Remarks	Choice	Step	Level	Cons	Qty	Rep. QTY
1		SS8080322TP		SCREW 1/8-44 L=3.2	FOR MOF-- 3904,3904E					1	
2		SS8080322TP		SCREW 1/8-44 L=3.2	FOR MOF-- 3914,3914E					2	
3		B9112804000		SPANNER						1	
4		B91351230B0		SILICON OIL LUBRICANT ASM. (30						1	
5		12226155		CLOTH BASE ASM.						1	
6		WZ0850302K0		WAVED WASHER 8.5X12.5X0.3				*		1	
7	R	12226163	12226155	CLOTH BASE ASM.				*		1	1.00
8		12226304		FITTING PLATE A				*		1	
9	D	12226403		FITTING PLATE B				*		1	
10		12226502		CLOTH BASE SPRING				*		1	
11	R	11806304	13102702	PLUG				*		1	1.00
12		NS6110310SP		NUT 11/64-40				*		1	
13		NS6680320SP		NUT 9/32-28				*		2	
14		SS6111610SP		SCREW 11/64-40 L=16				*		1	
15		SS7110840SP		SCREW 11/64-40 L=7.8				*		2	
16		SS7090540TP		SCREW 9/64-40 L=5				*		2	
17		SS7150910TP		SCREW 15/64-28 L=9				*		2	
18		WP08416000E		WASHER 8.4X15.5X1.6				*		1	

### LIST FOR INFORMATION OF CHANGE

As to the place changed, refer to the corresponding Rev.No.  
When previous parts(Obsoleted part)and new parts(Added parts)are not interchangeable with each other:  
In this case,even obsoleted parts(D.)can be ordered with the obsoleted part number,so select the parts with changed dates and place your orders.

変更箇所は、該当Rev.No.版をご参照ください。  
部品の互換性がない変更の場合は、削除された品番でも、ご注文できます。

29191905  
No.1107-03・・・Rev.No.

\*A:Added parts追加部品/D:Obsoleted parts削除部品/E:Erratum訂正

* Rev. No.	Page 頁	Ref. No.	Parts No. 品番	* Rev. No.	Page 頁	Ref. No.	Parts No. 品番
D 02	4	8	121-01960				
D 02	4	12	CM-5002000-01				
D 02	4	13	CM-5002000-01				
D 02	6	30	121-22107				
D 02	6	32	121-22313				
D 02	6	37	121-22107				
D 02	6	39	122-15109				
D 02	6	45	121-07801	A 03	6	45	122-80103
D 02	8	11	121-12207	A 03	8	11	123-03806
D 02	8	23	122-53050	A 03	8	23	123-72157
D 02	8	26	SM-8040602-TP	A 03	8	26	SM-8040612-TP
				A 03	12	73	122-12007
				A 03	12	74	122-12106
				A 03	30	66	122-15802

## HOW TO MAKE USE OF THIS PARTS LIST

### 1.Explanation of codes

1)"\*"mark.....means this part is changed from the previous parts book.

As to the details of the change, refer to the "List for information of change".

2)"#01".....refer to "Note" explanation at bottom of page.

### 2.Codes on the "Qty" column

• Each numeral indicates the number of parts required.

• "0.1" and "2.5" indicate the length (in meters) of the respective parts.

3.Parentheses mean that the corresponding part is a subpart that constructs an assembly part.

4.Dotted lines on the Figures indicate assembly parts.

### 1."注記"欄の記号説明

1) "\*"印.....前回のパーツブックに比較して今回変更された部品を意味します。

変更内容は、"変更情報リスト"を参照してください。

2) "#01".....ページ下の"注記"の説明を参照してください。

2.数量欄の数字は、個数を表し、0.1、2.5等の数値は、長さ（単位メートル）を表します。

3.数量欄の（ ）は、組部品を構成している子部品であることを意味します。

4.イラストページの-----枠は、組構成であることを意味します。



# NUMERICAL INDEX OF PARTS

PART NO	PAGE	REF NO.	PART NO	PAGE	REF NO.	PART NO	PAGE	REF NO.
10004109	4	13	11826104	26	26	12100806	4	5
10126803	48	44	11826203	26	27	12101408	2	22
11111705	42	18	11828050	18	7	12101515	2	10
11151065	54	26	11831708	32	49	12101804	4	45
11155108	52	15	11831757	32	47	12101903	4	10
11155207	52	16	11831807	30	26	12101952	4	7
11157567	54	2	11831906	30	25	12102000	4	26
11159001	54	18	11833407	30	22	12103206	2	21
11159365	54	14	11833506	30	12	12103404	2	26
11185006	56	21	11840303	48	8	12104907	4	28
11185105	56	45	11843208	48	45	12105201	4	42
11185105	58	45	11845609	44	14	12107611	10	47
11185204	56	34	11845807	44	18	12107702	8	43
11185352	56	2	11848405	44	1	12109104	8	26
11185402	56	3	11856101	46	5	12109153	8	25
11185501	56	46	11898400	26	28	12109211	12	3
11185501	58	46	11913407	22	29	12109260	12	1
11503703	4	29	11914405	22	30	12109302	12	5
11510609	8	40	11918109	48	6	12109500	12	8
11517000	32	48	11925104	36	9	12109617	12	14
11529005	20	60	11925914	36	13·14	12109666	12	13
11529005	26	24	11926300	36	13·14	12109906	14	48
11529914	18	5	11930500	36	11·12	12109955	14	46
11565504	44	21	11930609	36	11·12	12110227	12	24
11565702	44	19	11930906	36	8	12110607	12	39
11565801	44	9	11932068	36	4·5	12110805	12	41
11566809	22	28	11932456	36	4·5	12110904	12	40
11566809	44	10	11936614	24	62	12111209	12	27
11571403	52	10	11936804	24	63	12111308	12	29
11571601	52	2·3	11960002	52	6	12111803	12	31
11598000	44	17	11960101	52	5	12111902	12	33
11803004	2	16	11960150	52	4	12112108	12	35
11805207	4	21	11960655	54	1	12112306	12	7
11806304	60	11	11960754	54	13	12113205	34	23
11811619	8	46	11966504	58	49	12113817	34	33
11815107	50	61	11966702	52	2·3	12114609	34	14
11819109	34	37	11969458	56	1	12114807	34	29
11819315	34	36	11969508	58	51	12114906	34	17
11823606	44	22~25	11969573	56	32	12115903	34	42
11823705	44	22~25	11969953	56	27	12116703	26	29
11823804	14	44	12100301	6	50	12118303	18	25
11823804	16	9	12100418	4	1	12118600	16	7
11823804	44	22~25	12100517	6	48	12118709	20	65
11823903	44	22~25	12100608	4	3	12122362	8	28
11826005	26	25	12100707	4	2	12122404	30	5

## NUMERICAL INDEX OF PARTS

PART NO	PAGE	REF NO.	PART NO	PAGE	REF NO.	PART NO	PAGE	REF NO.
12122511	30	4	12133302	44	13	12209904	18	2
12122610	30	1	12138152	46	13	12209953	18	1
12122800	32	42	12138301	46	14	12210001	18	3
12122859	32	41	12138400	46	12	12210100	8	9
12122909	30	34	12148607	12	30	12210217	18	11
12123204	30	33	12148706	12	34	12210308	18	6
12123808	30	19	12180162	38	1·2	12210407	18	26
12123907	30	23	12180659	38	1·2	12210506	18	24
12124004	32	65	12200200	2	1	12210605	18	23
12124202	30	17	12200309	2	2	12210704	18	30
12124400	8	32	12200408	2	3	12210803	18	31
12124509	8	18	12200507	2	5	12210902	18	41
12126108	40	47	12200804	2	20	12211009	20	54
12126207	38	3	12200903	2	18	12211157	20	64
12126405	38	12·21·30	12201117	4	34	12211306	20	69
12126504	38	37	12201166	4	33	12211405	20	56
12126702	38	8·17·26	12201208	4	44	12211504	18	19
12126819	38	5·14·23	12203816	8	38	12211603	20	57
12126868	38	13	12203907	8	15	12211702	16	5
12126918	38	5·14·23	12204004	8	2	12211801	16	4
12126967	38	4	12204103	8	14	12212007	20	73
12127015	38	5·14·23	12204202	8	10	12212106	20	74
12127064	38	22	12206603	34	40	12214607	30	8
12127403	38	31	12206702	34	38	12214656	30	7
12127502	38	32	12208104	16	14	12214706	30	35
12127601	38	33	12208153	16	13	12214755	30	32
12127700	38	34	12208203	16	16	12214805	30	30
12127809	38	35	12208302	16	17	12214904	32	45
12127957	38	36	12208401	16	18	12215000	32	46
12128203	38	38	12208500	16	21	12215158	8	33
12128302	38	39	12208609	16	12	12215208	32	44
12129318	48	17	12208708	16	22	12215307	32	55
12129706	48	35	12208807	16	10	12215356	32	54
12129805	48	22	12208906	16	30	12215406	32	63
12130100	48	36	12209003	16	3	12215554	30	14
12130209	48	37	12209052	16	1	12215604	32	61
12130308	48	38	12209102	18	35	12215703	30	28
12130407	48	39	12209201	18	36	12215802	50	66
12130506	48	40	12209300	18	37	12219101	42	1
12130605	48	41	12209409	20	48	12219200	42	8
12130704	48	42	12209458	18	46	12219358	42	9
12130803	48	43	12209508	20	47	12219507	42	7
12132106	8	20	12209607	20	49	12219606	42	6
12132155	8	19	12209706	18	43	12219705	42	25
12132502	44	4	12209805	18	42	12219804	42	3

# NUMERICAL INDEX OF PARTS

PART NO	PAGE	REF NO.	PART NO	PAGE	REF NO.	PART NO	PAGE	REF NO.
12219903	42	2	12293601	48	24	12309506	22	5
12220000	42	10	12293700	48	23	12309605	22	6
12220109	42	5	12293759	48	21	12309704	22	7
12220208	42	12	12293809	48	25	12309803	22	8
12220307	42	11	12293957	48	2	12309803	44	11
12220505	42	23	12300109	2	27	12309902	22	9
12220604	42	29	12300208	2	28	12310009	22	10
12221602	52	1	12300505	2	30	12310108	22	11
12221750	52	11	12303806	12	11	12310207	22	12
12221800	52	9	12304002	12	22	12310306	22	13
12224606	46	3	12304101	12	20	12310504	22	15
12224655	46	1	12305009	34	24	12310603	22	16
12224705	46	4	12305256	34	30	12310702	22	17
12224853	46	2	12305405	24	60	12310801	22	19
12225009	46	6	12305504	24	61	12310850	22	18
12226155	60	5	12305603	36	1	12310900	22	20
12226163	60	7	12305702	34	19	12310900	34	13
12226304	60	8	12305850	34	20	12311007	22	22
12226403	60	9	12305900	34	12	12311106	22	23
12226502	60	10	12305959	34	11	12311304	26	16
12229100	2	8	12306007	22	14	12311403	26	17
12235107	18	14	12306106	34	2	12311502	26	18
12235206	18	15	12306155	34	1	12311809	26	20
12236600	18	20	12306205	34	3	12311908	26	21
12236709	18	21	12306353	34	4	12312005	26	22
12238101	18	18	12306551	34	5	12312104	26	23
12240107	30	6	12306601	34	7	12312203	22	24
12240602	32	40	12306700	34	8	12312302	22	25
12240701	42	4	12306809	34	26	12315008	48	1
12247300	32	38	12308003	26	1	12315503	50	49
12250205	6	49	12308102	26	2	12315602	50	54
12252805	12	6	12308201	26	3	12315800	48	34
12252904	12	17	12308300	22	26	12315909	48	3
12256103	48	4	12308300	26	4	12316006	48	10
12258000	4	41	12308409	22	21	12316105	48	11
12280103	8	45	12308409	26	5	12316204	48	12
12280608	12	38	12308607	26	7	12316402	24	68~70
12290151	2	23	12308706	26	9	12316501	24	68~70
12290359	4	17	12308755	26	8	12316600	24	68~70
12292009	8	11	12308805	26	10	12316709	24	71~73
12292504	26	6	12308904	26	13	12316808	24	71~73
12292603	22	2	12309001	26	14	12316907	24	71~73
12292702	26	15	12309100	22	1	12317004	48	9
12292850	26	19	12309308	22	3	12317103	24	74
12293551	48	20	12309407	22	4	12317202	24	51

NUMERICAL INDEX OF PARTS

PART NO	PAGE	REF NO.	PART NO	PAGE	REF NO.	PART NO	PAGE	REF NO.
12318002	44	2	B3321704L00	58	54	MDC270B1100	12	18
12318101	44	7	B3321704L0B	58	58	NM6040000SN	22	38
12372108	12	25	B3525704000	22	52	NM6050001SE	56	50
12372157	12	23	B3525704000	24	52	NM6050001SE	58	50
13508700	32	58	B3534352000	48	7	NM6060001SE	58	56
B1140716000	2	11	B71140120A0	54	25	NM6060003SC	34	28
B1211804000	8	39	B8151771000	54	38	NM6080011SF	22	39
B1212704000	8	16	B81517710A0	54	27	NM6080721SE	54	32
B1528804000A	36	2	B8152771000	54	39	NS6090310SN	2	12
B1534804000	34	22	B8153771000	54	40	NS6090310SP	38	42
B1536804000	20	71	B9112804000	60	3	NS6110310SP	48	59
B1612804C00	22	31	B91351230B0	60	4	NS6110310SP	50	59
B1620804000	18	38	BT0400251ED	46	8	NS6110310SP	60	12
B1646704000A	20	63	BT0500300EA	50	60	NS6110420SP	34	39
B1646704000A	26	30	BT0500300EG	50	65	NS6150430SP	24	65
B1647704000A	20	62	BT0600402EA	12	4	NS6240630SN	52	14
B1652704000	16	8	CM3002000A1	4	8	NS6680320SP	60	13
B1707155000	18	39	CM300200101	4	11·12	NS6680410SP	4	32
B2024771000	22	32	CM3002001A1	4	11·12	PS0150065KP	42	30
B2024771000	44	26	CQ200000000	32	51	PS0150082KH	26	12
B2530704000	30	15	CQ200000000	46	7	PS0200062KH	32	57
B2531704000	32	56	CQ202000000	24	67	PS0300132KH	4	37
B3013141H0A	4	25	CQ202000000	32	50	PS0300132KH	16	19
B3101804000	38	7·16·25	CQ202000000	48	29	PS0300132KH	38	45
B3102804000	38	7·16·25	CQ252000000	14	47	R4200K0ED00	42	26
B3103804000	38	7·16·25	CS0790731SH	18	9	R4305K0EE00	42	27
B3112704000	38	6·15·24	CS087081BSH	20	67	RE0300000K0	26	37
B3120352000	38	11·20·29	CS087081CSH	20	70	RE0320000K0	16	6
B3120704000	38	9·18·27	CS100101DSH	32	52	RE0400000K0	18	4
B3126012000	38	10·19·28	CS100101ESH	22	33	RE0400000K0	22	40
B322877100B	18	34	CS100101ESH	26	33	RE0400000K0	26	38
B3304704000A	56	42	CS1031210SH	30	2	RE0900000K0	26	39
B3305704000A	56	35	CS1111101HSH	22	35	RO037180100	30	27
B3309704000	56	41	CS1111101HSH	44	5	RO060150100	20	66
B33097040A0	56	38	CS1201010SH	12	9	RO068190100	26	40
B3311012000	56	48	CS120101BSH	20	52	RO074240100	4	35
B3311012000	58	48	D8113555B00	54	33	RO078190100	4	6
B3311704000	56	31	D8114555B0E	54	31	RO108240100	14	45
B3311804000	56	39	D8125772B00	54	37	RO110090100	34	18
B3317704000	56	52	D8204555D00	52	18	RO218240100	50	50
B3317704000	58	52	GPF06060000	54	15	RO315200100	2	4
B3318704L00A	56	29	GPF06070000	54	16	RO347350100	8	42
B3319704L00	56	33	GPF06080000	54	17	SB31200030A	8	4~8
B3320704L00A	56	47	MAO11532000	56	57	SB31200030B	8	4~8
B3320704L00A	58	47	MAO11532000	58	57	SB31200030C	8	4~8

# NUMERICAL INDEX OF PARTS

PART NO	PAGE	REF NO.	PART NO	PAGE	REF NO.	PART NO	PAGE	REF NO.
SB31200030D	8	4~8	SM6061210SC	28	49	SS6090630SP	30	16
SB31200030E	8	4~8	SM6061402TP	12	2	SS6090630SP	52	8
SB33500020A	16	25~29	SM6061610SC	28	50	SS6090630TP	32	60
SB33500020B	16	25~29	SM6061610SC	56	30	SS6090650SP	36	10
SB33500020C	16	25~29	SM6061802TP	50	46	SS6090650SP	48	14
SB33500020D	16	25~29	SM8040402TP	34	15	SS6090670TP	12	21
SB33500020E	16	25~29	SM8040612TP	12	26	SS6090810TP	18	22
SD0260271SP	16	20	SM8050402TP	48	26	SS6090910TP	18	28
SD0280401SL	14	42	SM9051203CP	22	41	SS6110420TP	22	45
SD0640321TP	20	55	SM9061203SE	54	34	SS6110480SP	42	17
SK2351600SC	52	7	SM9061250TP	22	43	SS6110520TP	22	46
SK3311500SC	52	17	SM9061250TP	26	44	SS6110610TP	2	31
SK3382001SE	56	28	SM9061250TP	44	3	SS6110710TP	24	47
SK3412000SC	4	43	SM9082023SE	54	28	SS6110710TP	34	31
SK3513200SC	54	41	SQ0000451MZ	50	55	SS6110820TP	18	32
SL9061291SE	54	24	SQ1110401MZ	48	15	SS6110820TP	24	48
SL9082091SE	54	22	SQ1110451MZ	48	58	SS6111010TP	18	33
SM0081001SD	4	36	SQ1110451MZ	50	58	SS6111040SP	44	12
SM1040801SC	4	46	SQ1150441SD	50	56	SS6111052TP	34	6
SM4040601SC	4	18	SQ1150451MZ	50	52	SS6111110SP	16	23
SM4040655SP	2	14	SQ1150454SD	50	48	SS6111140SP	32	62
SM4040655SP	30	20	SS2090520SL	2	9	SS6111610SP	60	14
SM4040855SP	4	47	SS2090830SL	38	41	SS6120620TP	50	64
SM4040855SP	6	47	SS2110710TP	22	44	SS6121020SP	24	66
SM4040855SP	12	36	SS2110910SL	42	13	SS6121020SP	34	25
SM4040855SP	18	27	SS3090610SP	2	15	SS6121020SP	48	28
SM4040855SP	46	11	SS3090610SP	30	24	SS6121220TP	18	40
SM4041055SP	2	25	SS4060310SP	44	20	SS6660610TP	18	12
SM4041455SN	38	44	SS4080610SP	32	39	SS6660710TP	16	15
SM4050855SP	2	7	SS4090515SP	26	45	SS6660710TP	28	47
SM4050855SP	8	44	SS4090615SP	30	29	SS7060310SP	48	30
SM4050855SP	20	59	SS4110515SP	12	28	SS7060510SP	36	3
SM4050855SP	42	19	SS4110615SP	48	19	SS7060510SP	42	14
SM4051055SP	2	29	SS4110815SP	42	24	SS7060610SP	18	17
SM4051255SP	4	4	SS4112215SP	48	13	SS7060610SP	30	31
SM4051405SE	56	37	SS4120615SP	2	24	SS7080520SP	36	6
SM4051601SC	50	53	SS4151215SP	4	14	SS7080520SP	42	21
SM4060801SE	48	31	SS5080212TP	8	12	SS7090410SP	24	49
SM4061201SE	58	55	SS5110710SP	4	23	SS7090530SP	2	13
SM6030510SC	26	43	SS5110740TP	8	1	SS7090540TP	20	58
SM6053000SE	56	43	SS6080340SP	16	11	SS7090540TP	46	9
SM6061200SP	32	37	SS6080410SP	20	50	SS7090540TP	60	16
SM6061200SP	34	27	SS6080410SP	30	13	SS7090610SP	2	17
SM6061202TP	8	30	SS6080720SP	12	37	SS7090611SL	4	27
SM6061202TP	12	15	SS6090610SP	32	64	SS7090850SP	30	18

NUMERICAL INDEX OF PARTS

PART NO	PAGE	REF NO.	PART NO	PAGE	REF NO.	PART NO	PAGE	REF NO.
SS7090910SP	46	10	SS8660610TP	12	10	WP0764016SP	10	49
SS7110510SP	34	10	SS8660610TP	30	3	WP08416000E	60	18
SS7110510SP	42	22	SS9090410TP	32	36	WP0871602SE	54	30
SS7110540SP	56	40	SS9090610TP	28	48	WP1102016SC	52	12
SS7110740TL	38	43	SS9090610TP	30	10	WP1612616SE	56	53
SS7110740TP	24	50	SS9090823TP	44	15	WP1612616SE	58	53
SS7110840SP	8	23	SS9111610SP	44	16	WS0621210KR	54	35
SS7110840SP	30	11	SS9151210TP	4	20	WS0822010KP	4	31
SS7110840SP	34	32	SS9151210TP	8	35	WS0861410KR	54	29
SS7110840SP	42	15	SS9151210TP	16	2	WS1002560KR	52	13
SS7110840SP	60	15	SS9151210TP	20	51	WZ0850302K0	4	24
SS7110910SP	2	32	SS9151210TP	24	64	WZ0850302K0	60	6
SS7110910TP	16	31	SS9151210TP	30	59	WZ2640310KH	8	41
SS7110910TP	40	46	SS9151210TP	32	59			
SS7111410SP	34	41	SS9151210TP	34	34			
SS7111410TP	8	34	SS9681610TP	8	37			
SS7111810SP	8	24	TA0180401M0	24	54			
SS7111810TP	8	36	TA0290301M0	48	32			
SS7111810TP	18	45	TA0340201R0	22	55			
SS7111810TP	26	42	TA0340201R0	24	55			
SS7150910TP	60	17	TA0400301M0	48	63			
SS7161040SP	34	35	TA0400301M0	50	63			
SS8080310TP	12	43	TA0620504R0	38	40			
SS8080310TP	14	43	TA0800501R0	24	56			
SS8080310TP	42	20	TA0800504R0	4	39			
SS8080322TP	60	2	TA0950806R0	46	15			
SS8080410TP	8	13	TA1250406R0	4	38			
SS8080410TP	42	31	TA1450404R0	2	6			
SS8090530TP	12	16	TA1470702R0	4	40			
SS8110410TP	2	19	TA1701107R0	4	22			
SS8110410TP	18	72	TA2050805R0	4	19			
SS8110410TP	20	72	WP0371016SD	26	35			
SS8110410TP	48	5	WP0371026SD	18	29			
SS8110422TP	8	3	WP0371026SD	36	7			
SS8110422TP	42	28	WP0371026SD	46	16			
SS8110520TP	16	24	WP0371036SD	24	57			
SS8110520TP	34	21	WP0451026SH	18	44			
SS8110520TP	48	33	WP0451026SH	24	58			
SS8151150SP	10	48	WP0460556SD	26	36			
SS8660330SP	22	36	WP0621016SD	20	61			
SS8660330SP	44	6	WP0621016SD	26	46			
SS8660410SP	20	53	WP0621016SH	24	59			
SS8660530TP	22	34	WP0651056SD	50	47			
SS8660530TP	26	34	WP0671016SE	54	36			
SS8660530TP	32	53	WP0751576SD	4	30			